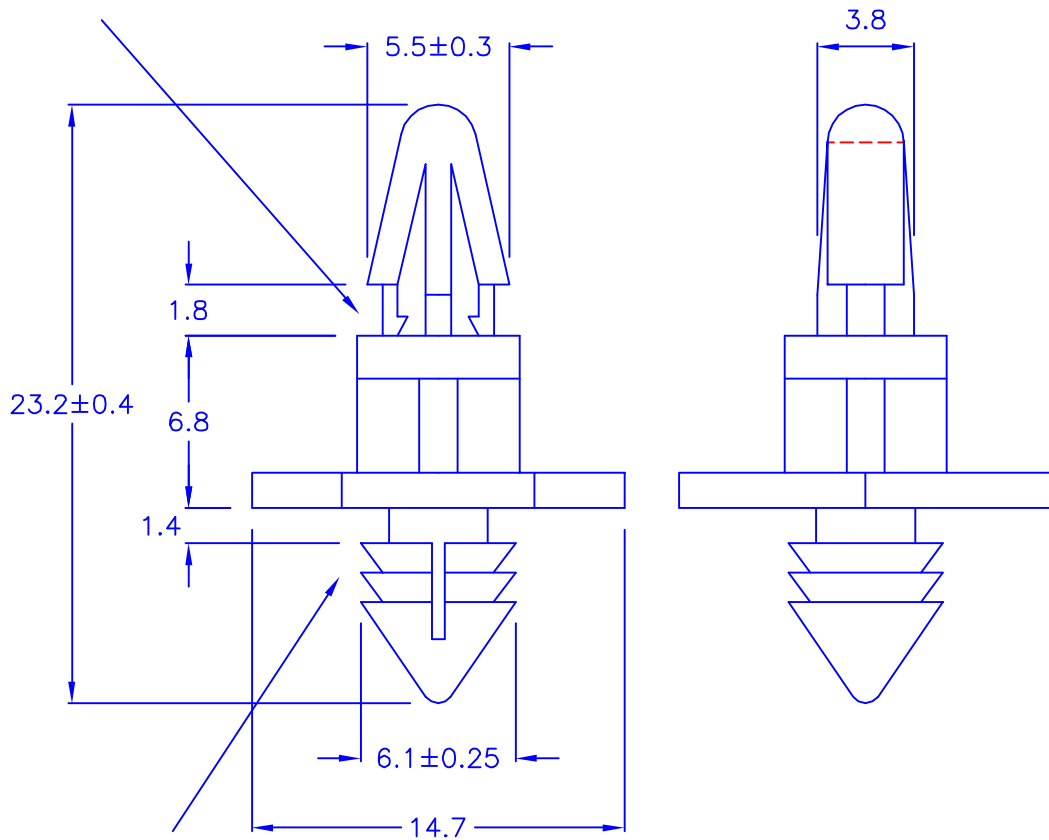


◎ CHASSIS THICKNESS: 1.2~1.6 mm

◎ HOLE IN CHASSIS: $\phi 4.0$



◎ HOLE IN WOODENWARE: $\phi 6.0$

◎ WOODENWARE THICKNESS: $>7mm$

◎ROHS compliant

DRAW NO. PGAS014192

GJS

PLASTIC TOLERANCE:		網頁圖示供參考, 最終以品固公司正式圖面為主 The plastic tolerance is just for your reference; all the measurements and dimensions are according to the "DATA SHEET" issued by PINGOOD.
L ≤ 10	±0.2	
10 < L ≤ 30	±0.3	
30 < L ≤ 50	±0.5	
50 < L ≤ 100	±0.7	
100 < L ≤ 250	±1.2	
ABOVE 250	±1.5	
MATERIAL: N66 V2 or EQUIVALENT		
COLOR: NATURAL		



品固企業股份有限公司
品基電子(東莞)有限公司
蘇州品基電子科技有限公司
鑽隆有限公司
PINGOOD ENTERPRISE CO.,LTD.

PART NAME:

P.C. 板間隔柱
SPACER SUPPORT

PART NO:

WCB-6

A
SIZE

VERSION

3A

SHEET 1 OF 1

	UNIT	SCALE
	mm	

表單號碼QF135