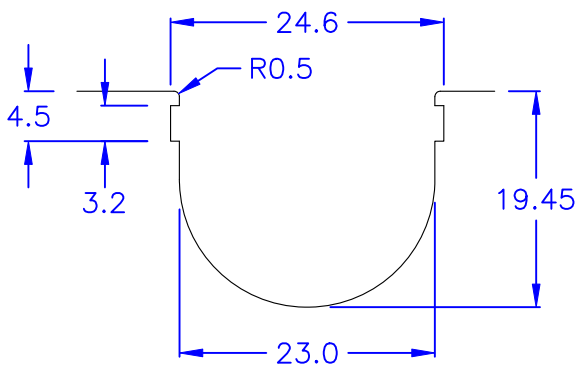


◎ 以上尺寸, 裝入裝配孔(板厚1.0)後量測

◎ HOLE IN CHASSIS:



◎ CHASSIS THICKNESS: 1.0 mm

- ◎ Halogen Free 低鹵
- ◎ ROHS 2.0
- ◎ ROHS 六項 compliant

DRAW NO. PGAS034636

GJS

PLASTIC TOLERANCE:	
L ≤ 10	±0.2
10 < L ≤ 30	±0.3
30 < L ≤ 50	±0.5
50 < L ≤ 100	±0.7
100 < L ≤ 250	±1.2
ABOVE 250	±1.5

網頁圖示供參考, 最終以品固公司正式圖面為主

The plastic tolerance is just for your reference; all the measurements and dimensions are according to the "DATA SHEET" issued by PINGOOD.



品固企業股份有限公司
品基電子(東莞)有限公司
蘇州品基電子科技有限公司
東莞市鉞隆商貿有限公司
鑽隆有限公司
PINGOOD ENTERPRISE CO.,LTD.

MATERIAL: N66 V2 or EQUIVALENT

COLOR: BLACK

PART NAME:

護線套
EDGING

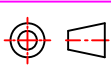
A
SIZE

VERSION
3

PART NO:

USK-21A-N2B

SHEET 1 OF 1



UNIT
mm

SCALE