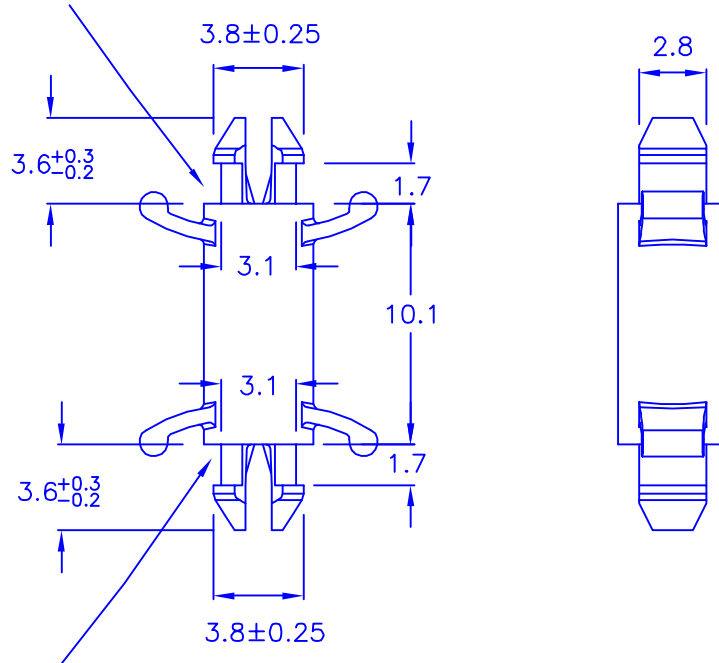




◎ CHASSIS THICKNESS: 1.6 mm

◎ HOLE IN CHASSIS: $\phi 3.2$



◎ CHASSIS THICKNESS: 1.6 mm

◎ HOLE IN CHASSIS: $\phi 3.2$

◎ROHS compliant

DRAW NO. PGAS014515

GJS

PLASTIC TOLERANCE:	
L ≤ 10	±0.2
10 < L ≤ 30	±0.3
30 < L ≤ 50	±0.5
50 < L ≤ 100	±0.7
100 < L ≤ 250	±1.2
ABOVE 250	±1.5

網頁圖示供參考, 最終以品固公司正式圖面為主

The plastic tolerance is just for your reference; all the measurements and dimensions are according to the "DATA SHEET" issued by PINGOOD.

MATERIAL: N66 V2 or EQUIVALENT

COLOR: BLACK



品固企業股份有限公司
品基電子(東莞)有限公司
蘇州品基電子科技有限公司
鑽隆有限公司
PINGOOD ENTERPRISE CO.,LTD.

PART NAME:

P.C. 板間隔柱
SPACER SUPPORT

A
SIZE

VERSION
2

PART NO:

UCK-10F-N2B

SHEET 1 OF 1

UNIT	SCALE
mm	