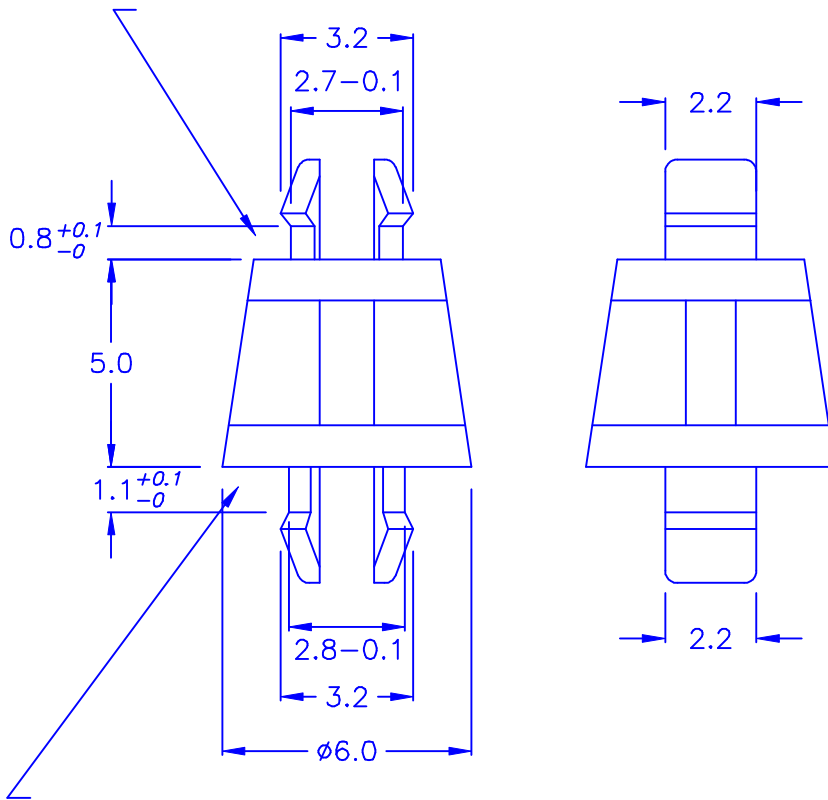


- ◎ HOLE IN P.C.B.:  $\phi 2.7$
- ◎ P.C.B. THICKNESS: 0.8 mm



- ◎ HOLE IN P.C.B.:  $\phi 2.8$
- ◎ P.C.B. THICKNESS: 1.0 mm

- ◎ Halogen Free 低鹵
- ◎ ROHS 2.0
- ◎ ROHS 六項 compliant

DRAW NO. PGAS023935 GJS

PLASTIC TOLERANCE:		網頁圖示供參考, 最終以品固公司正式圖面為主 The plastic tolerance is just for your reference; all the measurements and dimensions are according to the "DATA SHEET" issued by PINGOOD.
$L \leq 10$	$\pm 0.2$	
$10 < L \leq 30$	$\pm 0.3$	
$30 < L \leq 50$	$\pm 0.5$	
$50 < L \leq 100$	$\pm 0.7$	
$100 < L \leq 250$	$\pm 1.2$	
ABOVE 250	$\pm 1.5$	
MATERIAL: N66 V2 or EQUIVALENT		
COLOR: NATURAL		



品固企業股份有限公司  
品基電子(東莞)有限公司  
蘇州品基電子科技有限公司  
鑽隆有限公司  
PINGOOD ENTERPRISE CO.,LTD.

PART NAME:		A	VERSION
P.C. 板間隔柱 SPACER SUPPORT			
PART NO:		SHEET 1 OF 1	
UCC-05-N2W			

	UNIT	SCALE
	mm	