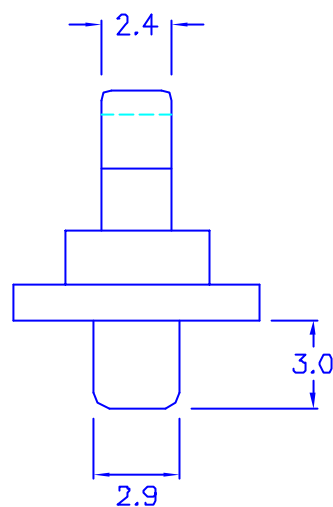
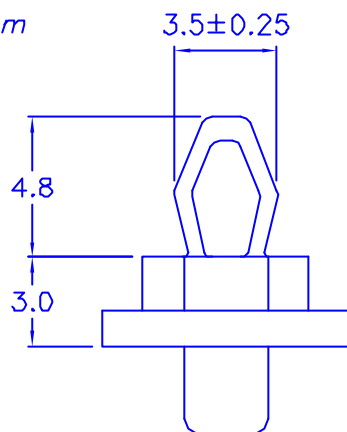


◎ CHASSIS THICKNESS: 1.6 mm

◎ HOLE IN DIMENSIONS: $\phi 3.2$



◎ CHASSIS THICKNESS: 0.8 mm

◎ HOLE IN DIMENSIONS: $\phi 3.0$

◎ ROHS compliant

DRAW NO. PGAS009825

GJS

PLASTIC TOLERANCE:

$L \leq 10$	± 0.2
$10 < L \leq 30$	± 0.3
$30 < L \leq 50$	± 0.5
$50 < L \leq 100$	± 0.7
$100 < L \leq 250$	± 1.2
ABOVE 250	± 1.5

網頁圖示供參考, 最終以品固公司正式圖面為主

The plastic tolerance is just for your reference; all the measurements and dimensions are according to the "DATA SHEET" issued by PINGOOD.

MATERIAL: N66 V2 or EQUIVALENT

COLOR: NATURAL



品固企業股份有限公司
品基電子(東莞)有限公司
蘇州品基電子科技有限公司
鑽隆有限公司
PINGOOD ENTERPRISE CO.,LTD.

PART NAME:

PC板間隔柱
SPACER SUPPORT

PART NO:

TCQ-03-N2W

A

SIZE

REV.

1

SHEET 1 OF 1

	UNIT	SCALE
	mm	

EF0404505