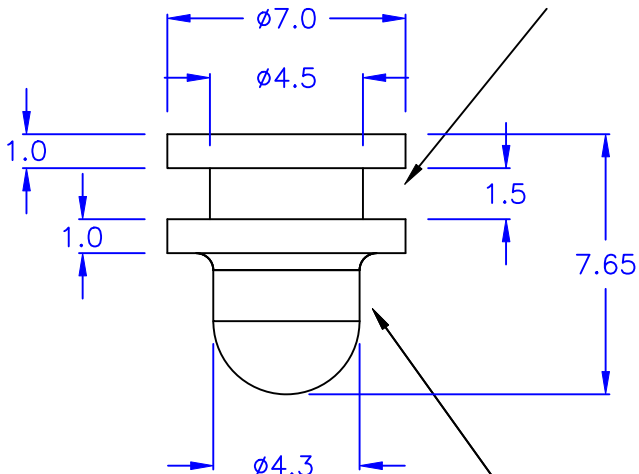


◎ HOLE IN CHASSIS: $\phi 4.5^{+0.05}_0$ mm

◎ CHASSIS THICKNESS: $1.5^{+0}_{-0.05}$ mm



◎ HOLE IN CHASSIS: $\phi 4.5^{+0.05}_0$ mm

◎ CHASSIS THICKNESS: $4.5^{+0}_{-0.05}$ mm

◎Halogen Free 低鹵

DRAW NO. PGAS036372

GJS

PLASTIC TOLERANCE:

$L \leq 10$	± 0.2
$10 < L \leq 30$	± 0.3
$30 < L \leq 50$	± 0.5
$50 < L \leq 100$	± 0.7
$100 < L \leq 250$	± 1.2
ABOVE 250	± 1.5

網頁圖示供參考, 最終以品固公司正式圖面為主

The plastic tolerance is just for your reference; all the measurements and dimensions are according to the "DATA SHEET" issued by PINGOOD.

MATERIAL: TPE VO or EQUIVALENT

COLOR: BLACK

試片硬度: $55^{\circ} \pm 5^{\circ}$



品固企業股份有限公司
品基電子(東莞)有限公司
蘇州品基電子科技有限公司
東莞市品基商貿有限公司
鑽隆有限公司
PINGOOD ENTERPRISE CO.,LTD.

PART NAME:

風扇固定扣
FAN NIFLATCH

PART NO:

SRY-4XR-ZJB

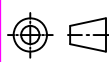
A

SIZE

VERSION

1B

SHEET 1 OF 1



UNIT	SCALE
mm	