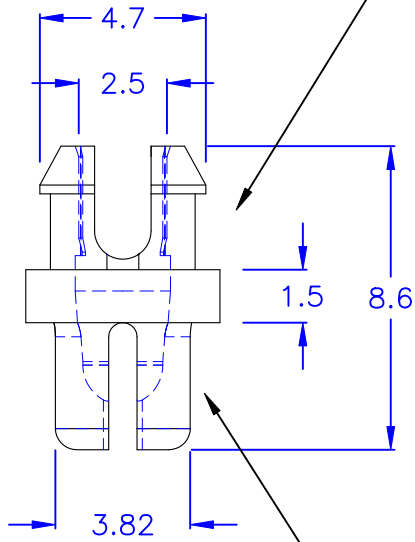
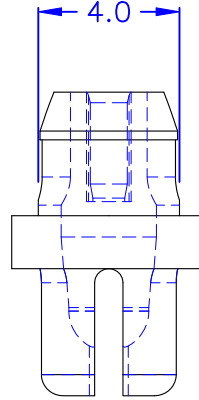


◎ HOLE IN DIMENSIONS:  $\phi 4.2$   
 ◎ CHASSIS THICKNESS: 2.0 mm



◎ HOLE IN DIMENSIONS:  $\phi 4.0$   
 ◎ CHASSIS THICKNESS: 1.6 mm



◎ Halogen Free 低鹵  
 ◎ ROHS 2.0  
 ◎ ROHS 六項 compliant

DRAW NO. PGAS033043

GJS

PLASTIC TOLERANCE:

$L \leq 10$	$\pm 0.2$
$10 < L \leq 30$	$\pm 0.3$
$30 < L \leq 50$	$\pm 0.5$
$50 < L \leq 100$	$\pm 0.7$
$100 < L \leq 250$	$\pm 1.2$
ABOVE 250	$\pm 1.5$

網頁圖示供參考, 最終以品固公司正式圖面為主  
 The plastic tolerance is just for your reference; all the measurements and dimensions are according to the "DATA SHEET" issued by PINGOOD.

MATERIAL: N66 V0 or EQUIVALENT

COLOR: BLACK



品固企業股份有限公司  
 品基電子(東莞)有限公司  
 蘇州品基電子科技有限公司  
 東莞市鑽隆商貿有限公司  
 PINGOOD ENTERPRISE CO., LTD.

PART NAME:

尼龍鉚釘  
 SNAP RIVET

A  
 SIZE

VERSION

1

PART NO:

SRQM-4C-NOB-Z

SHEET 1 OF 1

	UNIT	SCALE
	mm	