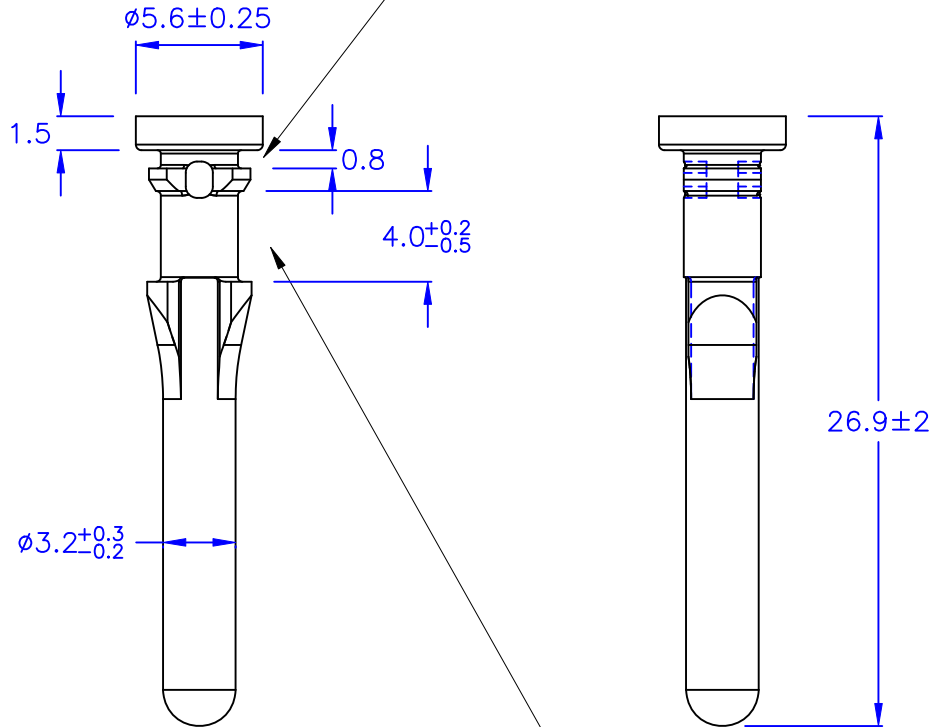


◎ HOLE IN CHASSIS:  $\phi 3.5^{+0.05}_0$  mm  
 ◎ CHASSIS THICKNESS:  $0.8^{+0}_{-0.05}$  mm



◎ HOLE IN FAN:  $\phi 3.5^{+0.05}_0$  mm  
 ◎ FAN THICKNESS:  $4.0^{+0}_{-0.05}$  mm

◎Halogen Free 低鹵

DRAW NO. PGAS035956

GJS

PLASTIC TOLERANCE:	
$L \leq 10$	$\pm 0.2$
$10 < L \leq 30$	$\pm 0.3$
$30 < L \leq 50$	$\pm 0.5$
$50 < L \leq 100$	$\pm 0.7$
$100 < L \leq 250$	$\pm 1.2$
ABOVE 250	$\pm 1.5$

網頁圖示供參考, 最終以品固公司正式圖面為主  
 The plastic tolerance is just for your reference; all the measurements and dimensions are according to the "DATA SHEET" issued by PINGOOD.

MATERIAL: TPE V0 or EQUIVALENT

COLOR: BLACK

試片硬度:  $55^\circ \pm 5^\circ$



品固企業股份有限公司  
 品基電子(東莞)有限公司  
 蘇州品基電子科技有限公司  
 東莞市鑽隆商貿有限公司  
 鑽隆有限公司  
 PINGOOD ENTERPRISE CO.,LTD.

PART NAME:

風扇鉚釘  
 FAN SNAP RIVET

A

VERSION

SIZE

1A

PART NO:

SRM-24NK-ZJB

SHEET 1 OF 1

	UNIT	SCALE
	mm	