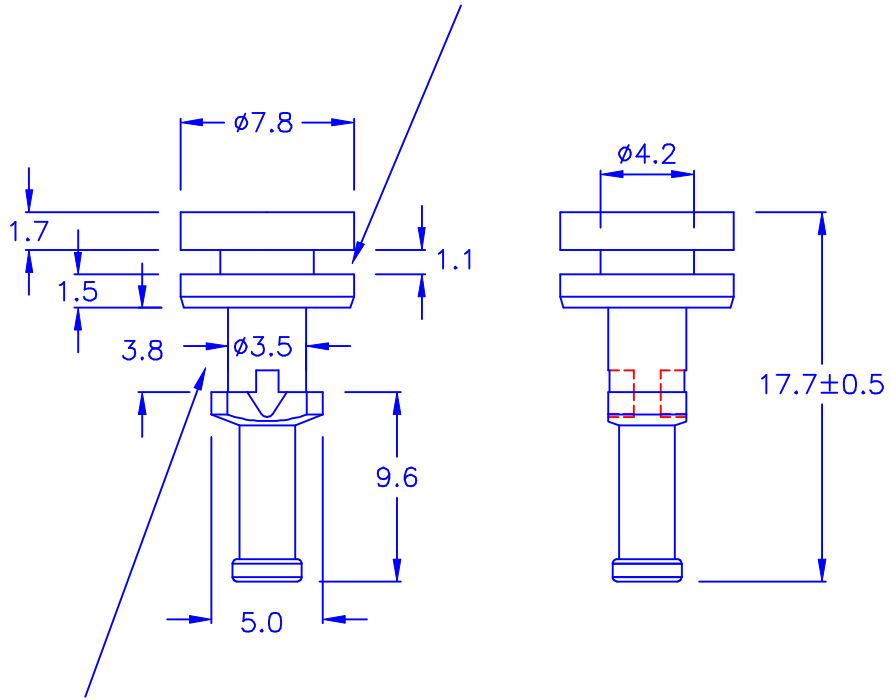


◎ HOLE IN CHASSIS: $\phi 4.0$
 ◎ CHASSIS THICKNESS: 1.0 mm



◎ HOLE IN FAN: $\phi 3.5$
 ◎ FAN CHASSIS THICKNESS: 4.0 mm

◎ Halogen Free 低鹵
 ◎ ROHS 2.0
 ◎ ROHS 六項 compliant

DRAW NO. PGAS025460

GJS

PLASTIC TOLERANCE:

L < 10 ± 0.3
 L \geq 10 ± 0.5
 ABOVE 80 ± 1.0

網頁圖示供參考, 最終以品固公司正式圖面為主
 The plastic tolerance is just for your reference; all the measurements and dimensions are according to the "DATA SHEET" issued by PINGOOD.



品固企業股份有限公司
 品基電子(東莞)有限公司
 蘇州品基電子科技有限公司
 鑽隆有限公司
 PINGOOD ENTERPRISE CO.,LTD.

MATERIAL: SILICONE VO or EQUIVALENT

COLOR: BLACK

試片硬度: $55 \pm 5^\circ$

PART NAME:

風扇鉚釘
 FAN SNAP RIVET

PART NO:

SRH-3M-SFB

A
 SIZE

VERSION
 2B

SHEET 1 OF 1

	UNIT	SCALE
	mm	