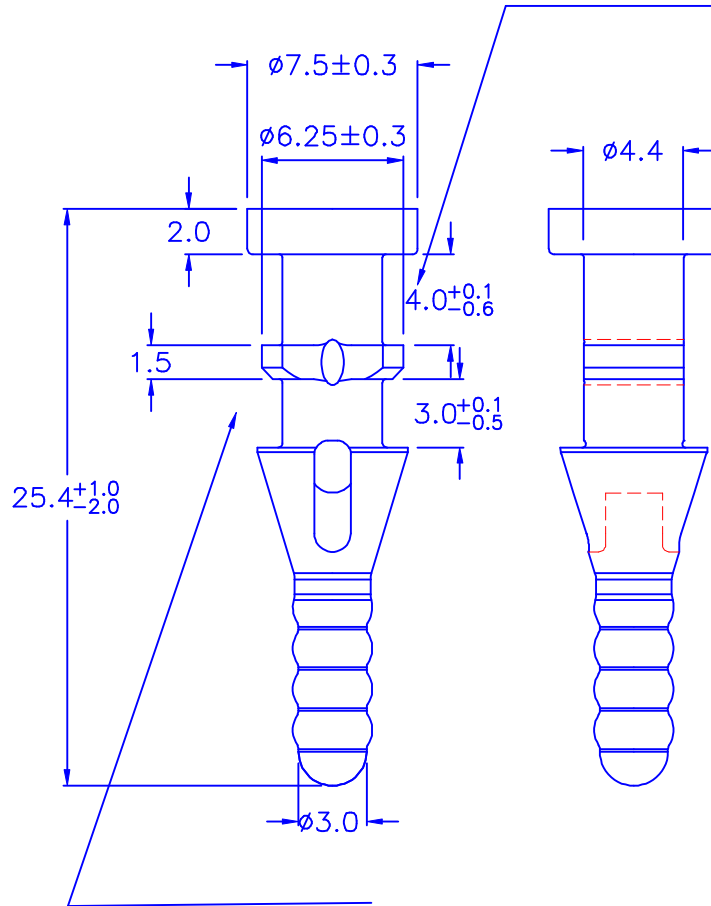


◎ HOLE IN CHASSIS: $\phi 4.65 \sim 4.7$
 ◎ CHASSIS THICKNESS: 4.0 mm



◎ HOLE IN FAN: $\phi 4.3$
 ◎ FAN CHASSIS THICKNESS: 3.9~4.0 mm

◎ 所有尺寸量測皆不含進膠口, 膠口凸出1.0mm 之內

◎ Halogen Free 低鹵
 ◎ ROHS 2.0
 ◎ ROHS 六項 compliant

DRAW NO. PGAS025033

GJS

PLASTIC TOLERANCE:	
L ≤ 10	±0.2
10 < L ≤ 30	±0.3
30 < L ≤ 50	±0.5
50 < L ≤ 100	±0.7
100 < L ≤ 250	±1.2
ABOVE 250	±1.5

網頁圖示供參考, 最終以品固公司正式圖面為主
 The plastic tolerance is just for your reference; all the measurements and dimensions are according to the "DATA SHEET" issued by PINGOOD.



品固企業股份有限公司
 品基電子(東莞)有限公司
 蘇州品基電子科技有限公司
 鑽隆有限公司
 PINGOOD ENTERPRISE CO.,LTD.

MATERIAL: TPE

PART NAME:

COLOR: BLACK

風扇鉚釘
 FAN SNAP RIVET

A

VERSION

SIZE

1C

試片硬度: 65°±5°

PART NO:

SRD-4NH-H6B

SHEET 1 OF 1



UNIT	SCALE
mm	

表單號碼QF135