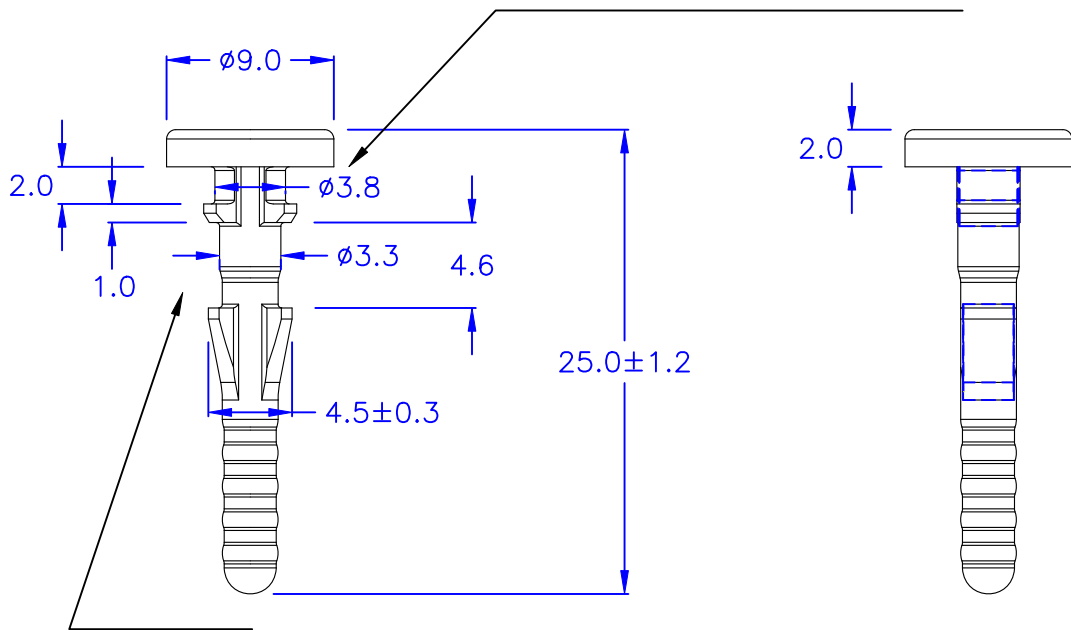


◎ HOLE IN CHASSIS:  $\phi 4.0$  mm

◎ CHASSIS THICKNESS: 2.0 mm



◎ HOLE IN FAN:  $\phi 3.5$  mm

◎ FAN CHASSIS THICKNESS: 5.0 mm

◎Halogen Free 低鹵

DRAW NO. PGAS034521

GJS

PLASTIC TOLERANCE:

L ≤ 10 ±0.2

10 < L ≤ 30 ±0.3

30 < L ≤ 50 ±0.5

50 < L ≤ 100 ±0.7

100 < L ≤ 250 ±1.2

ABOVE 250 ±1.5

網頁圖示供參考, 最終以品固公司正式圖面為主

The plastic tolerance is just for your reference; all the measurements and dimensions are according to the "DATA SHEET" issued by PINGOOD.

MATERIAL: TPE V0 or EQUIVALENT

COLOR: BLACK

試片硬度: 55° ± 5°



品固企業股份有限公司  
品基電子(東莞)有限公司  
蘇州品基電子科技有限公司  
東莞市鑽隆商貿有限公司  
鑽隆有限公司  
PINGOOD ENTERPRISE CO.,LTD.

PART NAME:

風扇鉚釘  
FAN SNAP RIVET

PART NO:

SRD-3TF-ZJB

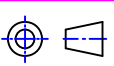
A

SIZE

VERSION

1A

SHEET 1 OF 1



UNIT  
mm

SCALE

表單號碼QF135