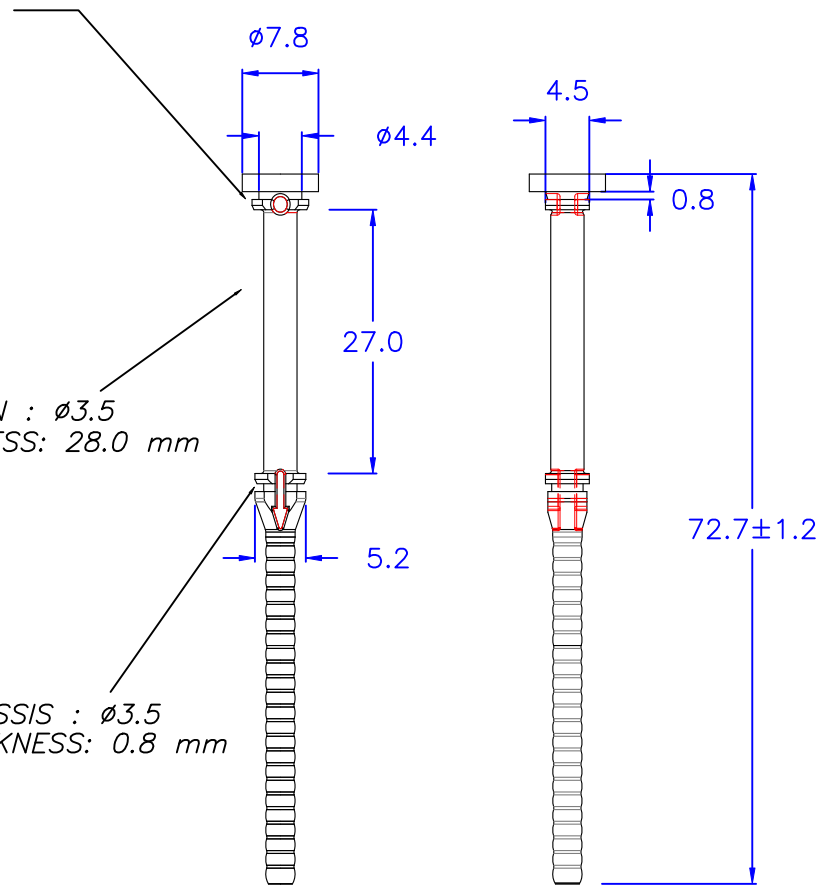


◎ HOLE IN CHASSIS :  $\phi 4.5$   
 ◎ CHASSIS THICKNESS: 0.8 mm

◎ HOLE IN FAN :  $\phi 3.5$   
 ◎ FAN THICKNESS: 28.0 mm

◎ HOLE IN CHASSIS :  $\phi 3.5$   
 ◎ CHASSIS THICKNESS: 0.8 mm



◎ Halogen Free 低鹵  
 ◎ ROHS 2.0  
 ◎ ROHS 六項 compliant

DRAW NO. PGAS026684

GJS

PLASTIC TOLERANCE:

L < 10      ±0.3  
 L ≥ 10      ±0.5  
 ABOVE 80    ±1.0

網頁圖示供參考, 最終以品固公司正式圖面為主

The plastic tolerance is just for your reference; all the measurements and dimensions are according to the "DATA SHEET" issued by PINGOOD.

MATERIAL: SILICONE VO or EQUIVALENT

COLOR: BLACK

試片硬度: 55° ± 5°



品固企業股份有限公司  
 品基電子(東莞)有限公司  
 蘇州品基電子科技有限公司  
 東莞市鑽隆商貿有限公司  
 PINGOOD ENTERPRISE CO., LTD.

PART NAME:

風扇鉚釘  
 FAN SNAP RIVET

PART NO.:

SRD-3QW-SFB

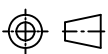
A

SIZE

VERSION

1

SHEET 1 OF 1



UNIT  
mm

SCALE