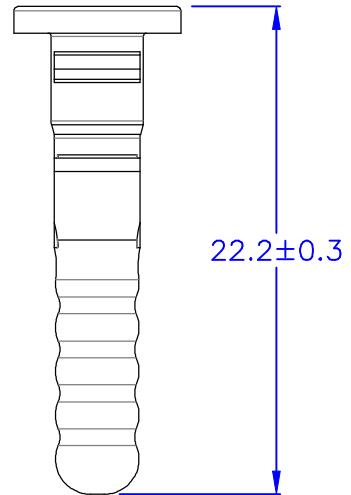
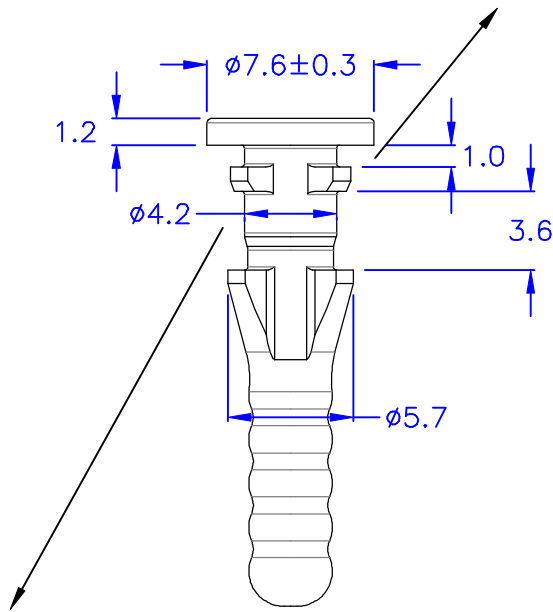


◎ HOLE IN CHASSIS: $\phi 4.5$
 ◎ CHASSIS THICKNESS: 1.0 mm



◎ HOLE IN CHASSIS: $\phi 4.5$
 ◎ CHASSIS THICKNESS: 4.0 mm

◎Halogen Free 低鹵

DRAW NO. PGAS035057

GJS

| | |
|--------------------|-----------|
| PLASTIC TOLERANCE: | |
| $L \leq 10$ | ± 0.2 |
| $10 < L \leq 30$ | ± 0.3 |
| $30 < L \leq 50$ | ± 0.5 |
| $50 < L \leq 100$ | ± 0.7 |
| $100 < L \leq 250$ | ± 1.2 |
| ABOVE 250 | ± 1.5 |

網頁圖示供參考, 最終以品固公司正式圖面為主
 The plastic tolerance is just for your reference; all the measurements and dimensions are according to the "DATA SHEET" issued by PINGOOD.

MATERIAL: TPE V0 or EQUIVALENT

COLOR: BLACK

試片硬度: $55^{\circ} \pm 5^{\circ}$



品固企業股份有限公司
 品基電子(東莞)有限公司
 蘇州品基電子科技有限公司
 東莞市钻隆商貿有限公司
 鑽隆有限公司
 PINGOOD ENTERPRISE CO.,LTD.

PART NAME:

風扇鉚釘
 FAN SNAP RIVET

A
 SIZE

VERSION
 1

PART NO:

SRD-22AT-ZJB

SHEET 1 OF 1

| | | |
|--|------|-------|
| | UNIT | SCALE |
| | mm | |

表單號碼QF135