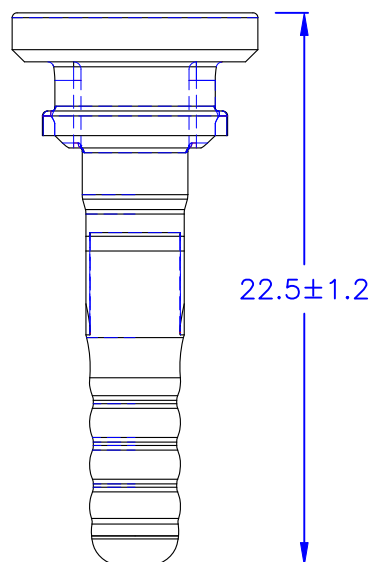
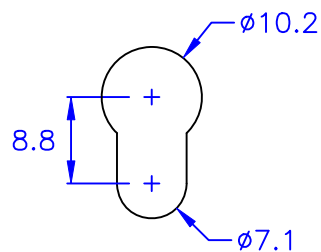
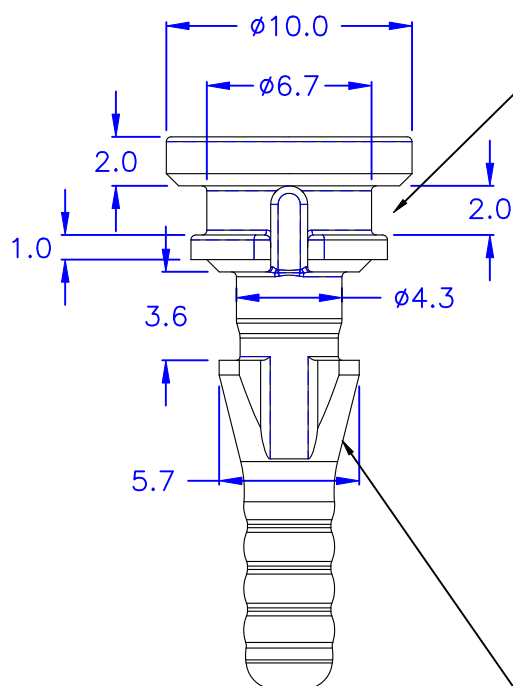


◎ FAN CHASSIS THICKNESS: 1.0 mm

◎ HOLE IN FAN:



◎ FAN CHASSIS THICKNESS: 4.0 mm

◎ HOLE IN FAN:  $\phi 4.5$  mm

◎Halogen Free 低鹵

DRAW NO. PGAS035347

GJS

PLASTIC TOLERANCE:

$L \leq 10$	$\pm 0.2$
$10 < L \leq 30$	$\pm 0.3$
$30 < L \leq 50$	$\pm 0.5$
$50 < L \leq 100$	$\pm 0.7$
$100 < L \leq 250$	$\pm 1.2$
ABOVE 250	$\pm 1.5$

網頁圖示供參考, 最終以品固公司正式圖面為主

The plastic tolerance is just for your reference; all the measurements and dimensions are according to the "DATA SHEET" issued by PINGOOD.

MATERIAL: TPE V0 or EQUIVALENT

COLOR: BLACK

試片硬度:  $55^{\circ} \pm 5^{\circ}$



品固企業股份有限公司  
品基電子(東莞)有限公司  
蘇州品基電子科技有限公司  
東莞市鑽隆商貿有限公司  
鑽隆有限公司  
PINGOOD ENTERPRISE CO.,LTD.

PART NAME:

風扇鉚釘  
FAN SNAP RIVET

PART NO:

SRD-21SA-ZJB

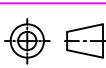
A

SIZE

VERSION

1

SHEET 1 OF 1



UNIT	SCALE
mm	