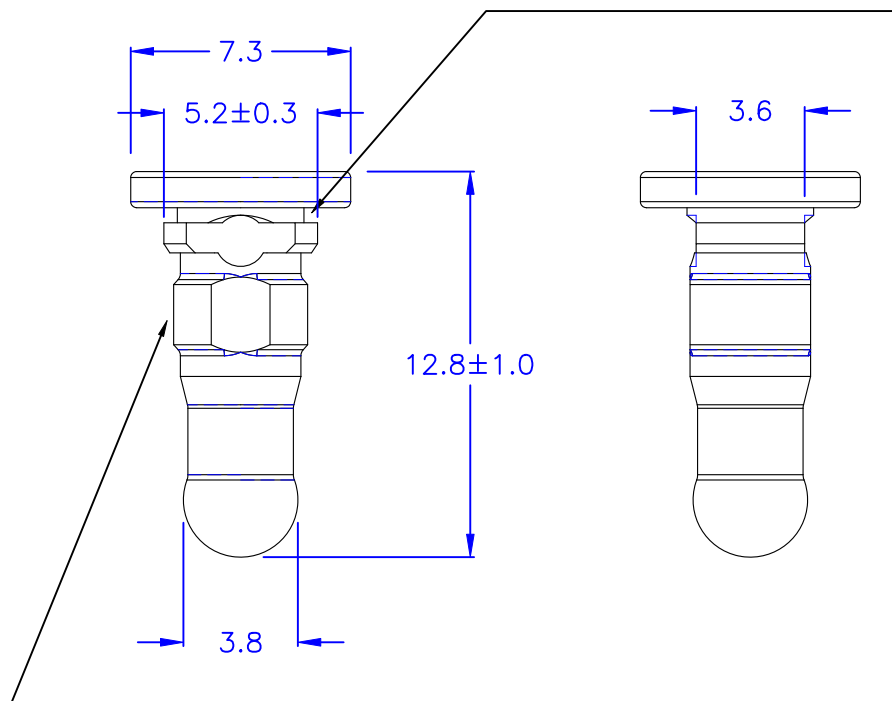


◎ HOLE IN CHASSIS : $\phi 4.3$

◎ CHASSIS THICKNESS: 0.5 mm



◎ HOLE IN FAN. : $\phi 4.45^{+0}_{-0.1}$ mm

◎ P.C.B THICKNESS: 4.0 mm

◎Halogen Free 低鹵

DRAW NO. PGAS033491

GJS

PLASTIC TOLERANCE:

L ≤ 10	±0.2
10 < L ≤ 30	±0.3
30 < L ≤ 50	±0.5
50 < L ≤ 100	±0.7
100 < L ≤ 250	±1.2
ABOVE 250	±1.5

網頁圖示供參考, 最終以品固公司正式圖面為主

The plastic tolerance is just for your reference; all the measurements and dimensions are according to the "DATA SHEET" issued by PINGOOD.

MATERIAL: TPE V0 or EQUIVALENT

COLOR: BLACK

試片硬度: 55 \pm 5°



品固企業股份有限公司
品基電子(東莞)有限公司
蘇州品基電子科技有限公司
東莞市鑽隆商貿有限公司
PINGOOD ENTERPRISE CO.,LTD.

PART NAME:

風扇鉚釘
FAN SNAP RIVET

PART NO:

SRCQ-4MT-ZJB

A

SIZE

VERSION

1A

SHEET 1 OF 1

	UNIT	SCALE
	mm	