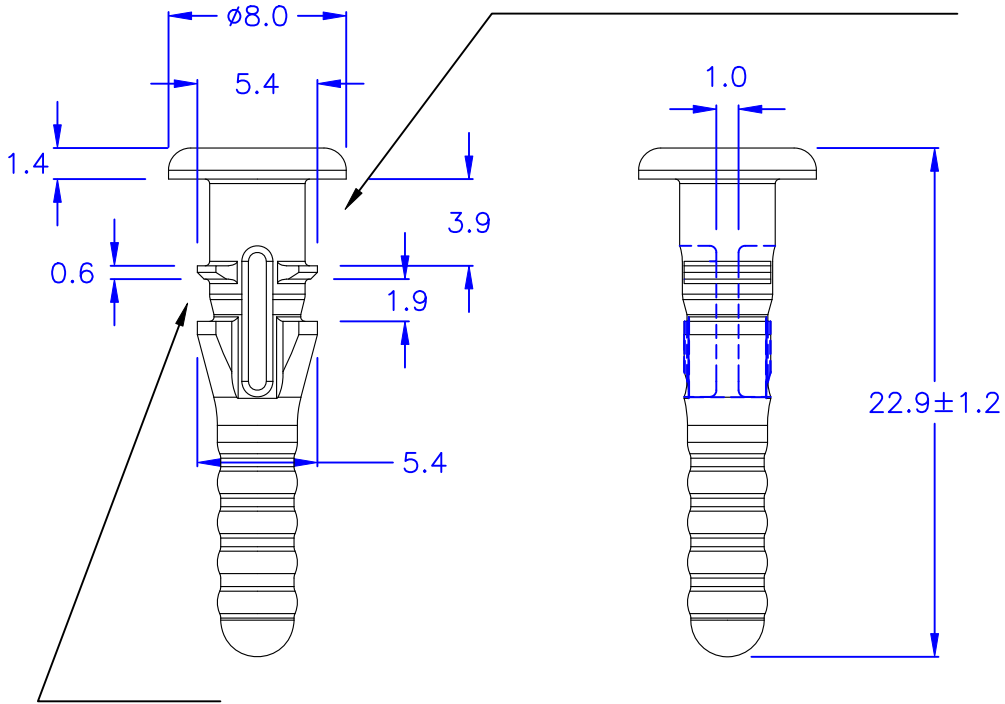


◎ HOLE IN CHASSIS: $\phi 4.5$ mm

◎ CHASSIS THICKNESS: 4.0 mm



◎ HOLE IN CHASSIS: $\phi 4.5$ mm

◎ CHASSIS THICKNESS: 2.0 mm

◎Halogen Free 低鹵

DRAW NO. PGAS033968

GJS

PLASTIC TOLERANCE:

L < 10 ± 0.3
 L \geq 10 ± 0.5
 ABOVE 80 ± 1.0

網頁圖示供參考,最終以品固公司正式圖面為主
 The plastic tolerance is just for your reference; all the measurements and dimensions are according to the "DATA SHEET" issued by PINGOOD.

MATERIAL: TPE V0 or EQUIVALENT

COLOR: BLACK

試片硬度: $55^{\circ} \pm 5^{\circ}$



品固企業股份有限公司
 品基電子(東莞)有限公司
 蘇州品基電子科技有限公司
 東莞市鑽隆商貿有限公司
 PINGOOD ENTERPRISE CO.,LTD.

PART NAME:

風扇鉚釘
 FAN SNAP RIVET

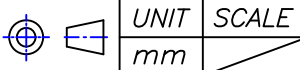
PART NO:

SRBK-4TK-ZJB

A
 SIZE

VERSION
 1A

SHEET 1 OF 1



UNIT SCALE
 mm

表單號碼QF135