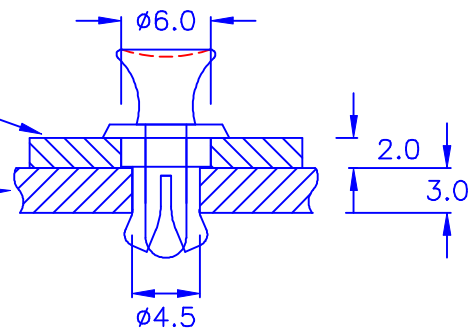


◎ CHASSIS THICKNESS: 2.0 mm

◎ HOLE IN DIMENSIONS: $\phi 6.0$

◎ CHASSIS THICKNESS: 3.0 mm

◎ HOLE IN DIMENSIONS: $\phi 4.5$



◎ Halogen Free 低鹵

◎ ROHS 2.0

◎ ROHS 六項 compliant

DRAW NO. PGAS025119

GJS

PLASTIC TOLERANCE:

$L \leq 10$	± 0.2
$10 < L \leq 30$	± 0.3
$30 < L \leq 50$	± 0.5
$50 < L \leq 100$	± 0.7
$100 < L \leq 250$	± 1.2
ABOVE 250	± 1.5

網頁圖示供參考, 最終以品固公司正式圖面為主

The plastic tolerance is just for your reference; all the measurements and dimensions are according to the "DATA SHEET" issued by PINGOOD.

MATERIAL: N66 V2 or EQUIVALENT

COLOR: BLACK



品固企業股份有限公司
品基電子(東莞)有限公司
蘇州品基電子科技有限公司
鑽隆有限公司
PINGOOD ENTERPRISE CO.,LTD.

PART NAME:

固定扣
NIFLATCH

PART NO.:

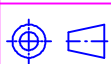
SR-4KKN2BZ

A

SIZE

VERSION

1A



UNIT

SCALE

mm

SHEET 1 OF 1

表單號碼QF135