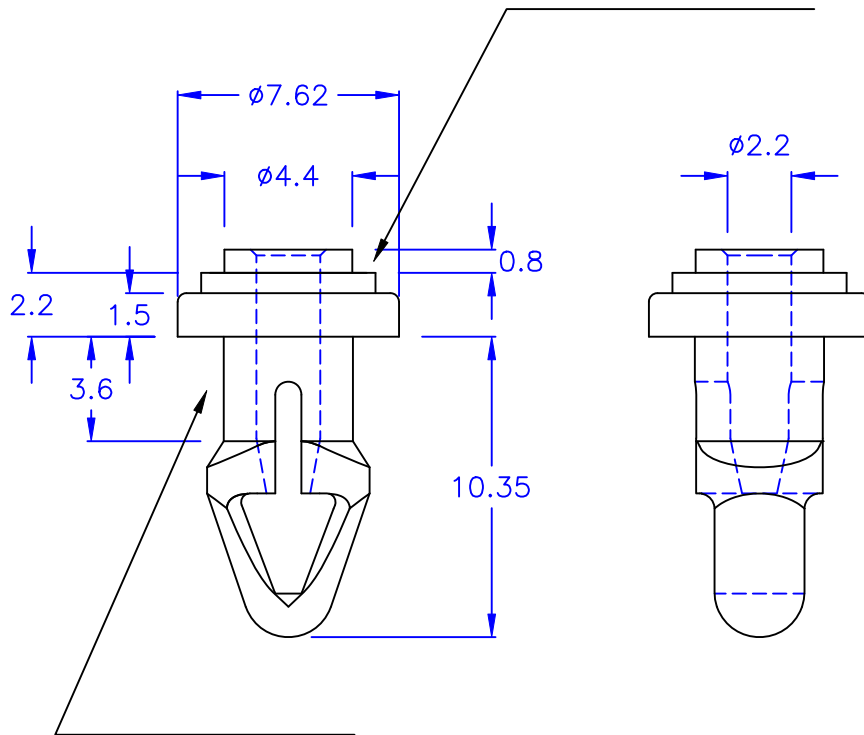


◎ HOLE IN CHASSIS:  $\phi 4.5$

◎ CHASSIS THICKNESS: 0.8~1.2 mm



◎ HOLE IN FAN:  $\phi 4.45$

◎ FAN CHASSIS THICKNESS: 4.0 mm

◎ 所有尺寸量測皆不含進膠口,膠口凸出1.2mm之內

◎Halogen Free 低鹵

DRAW NO. PGAS033465

GJS

|                    |      |
|--------------------|------|
| PLASTIC TOLERANCE: |      |
| L ≤ 10             | ±0.2 |
| 10 < L ≤ 30        | ±0.3 |
| 30 < L ≤ 50        | ±0.5 |
| 50 < L ≤ 100       | ±0.7 |
| 100 < L ≤ 250      | ±1.2 |
| ABOVE 250          | ±1.5 |

網頁圖示供參考,最終以品固公司正式圖面為主  
The plastic tolerance is just for your reference; all the measurements and dimensions are according to the "DATA SHEET" issued by PINGOOD.

MATERIAL: TPE VO or EQUIVALENT

COLOR: BLACK

試片硬度: 75°±5°



品固企業股份有限公司  
品基電子(東莞)有限公司  
蘇州品基電子科技有限公司  
東莞市鑽隆商貿有限公司  
PINGOOD ENTERPRISE CO.,LTD.

PART NAME:

風扇鉚釘  
FAN SNAP RIVET

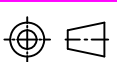
A  
SIZE

VERSION  
1A

PART NO:

SR-39Y-ZCB-Z

SHEET 1 OF 1



UNIT SCALE  
mm