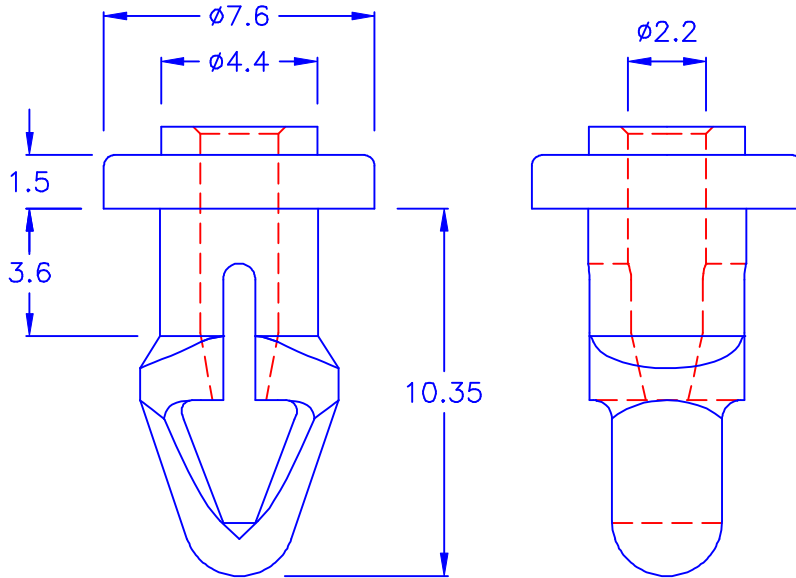


- ◎ CHASSIS THICKNESS: 0.8~1.2 mm
- ◎ HOLE IN CHASSIS: $\phi 4.5$



- ◎ HOLE IN FAN: $\phi 4.45$
- ◎ FAN CHASSIS THICKNESS: 4.0 mm

◎ 所有尺寸量測皆不含進膠口, 膠口凸出1.2 mm 之內

- ◎ Halogen Free 低鹵
- ◎ ROHS 2.0
- ◎ ROHS 六項 compliant

DRAW NO. PGAS021295 GJS

PLASTIC TOLERANCE:

L < 10	±0.3
L ≥ 10	±0.5
ABOVE 80	±1.0

網頁圖示供參考, 最終以品固公司正式圖面為主
The plastic tolerance is just for your reference; all the measurements and dimensions are according to the "DATA SHEET" issued by PINGOOD.



品固企業股份有限公司
品基電子(東莞)有限公司
蘇州品基電子科技有限公司
鑽隆有限公司
PINGOOD ENTERPRISE CO.,LTD.

MATERIAL: TPE

COLOR: BLACK

試片硬度: 75°

PART NAME:

風扇鉚釘
FAN SNAP RIVET

PART NO:

SR-38YTSBZ

A	VERSION
	2A
SIZE	

UNIT	SCALE
mm	

SHEET 1 OF 1