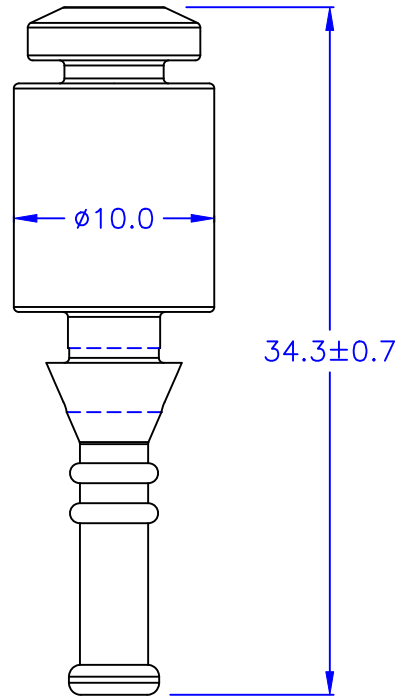
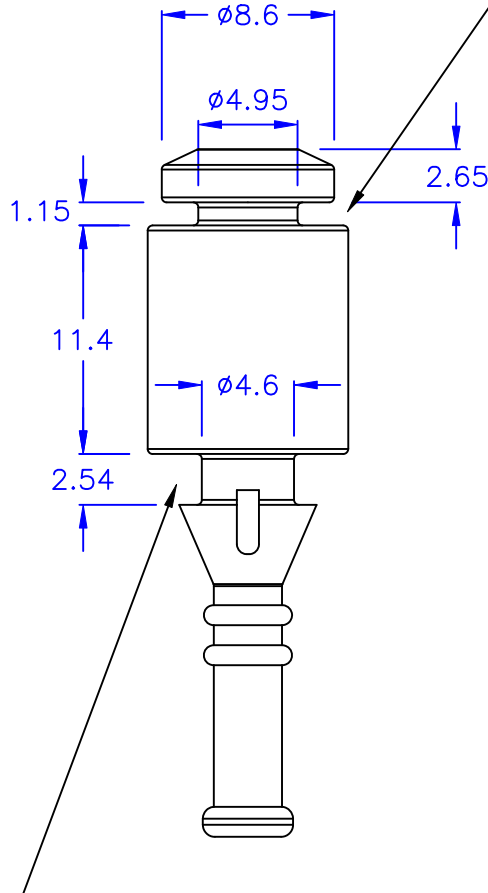
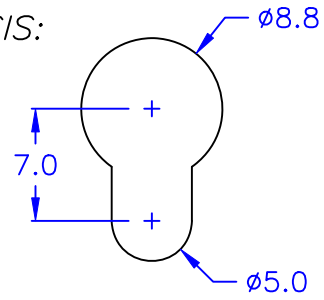


◎ CHASSIS THICKNESS: 1.2mm

◎ HOLE IN CHASSIS:



◎ CHASSIS THICKNESS: 2.5 mm

◎ HOLE IN CHASSIS:  $\phi 4.6$

- ◎ Halogen Free 低鹵
- ◎ ROHS 2.0
- ◎ ROHS 六項 compliant

DRAW NO. PGAS033557

GJS

PLASTIC TOLERANCE:	
L ≤ 10	±0.2
10 < L ≤ 30	±0.3
30 < L ≤ 50	±0.5
50 < L ≤ 100	±0.7
100 < L ≤ 250	±1.2
ABOVE 250	±1.5

網頁圖示供參考, 最終以品固公司正式圖面為主  
The plastic tolerance is just for your reference; all the measurements and dimensions are according to the "DATA SHEET" issued by PINGOOD.



品固企業股份有限公司  
品基電子(東莞)有限公司  
蘇州品基電子科技有限公司  
東莞市鑽隆商貿有限公司  
PINGOOD ENTERPRISE CO.,LTD.

MATERIAL: SILICONE or EQUIVALENT

PART NAME:

COLOR: BLACK

風扇鉚釘

FAN SNAP RIVET

A

VERSION

SIZE

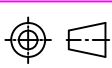
1

試片硬度: 70° ± 10°

PART NO:

SR-33Y-SBB

SHEET 1 OF 1



UNIT	SCALE
mm	