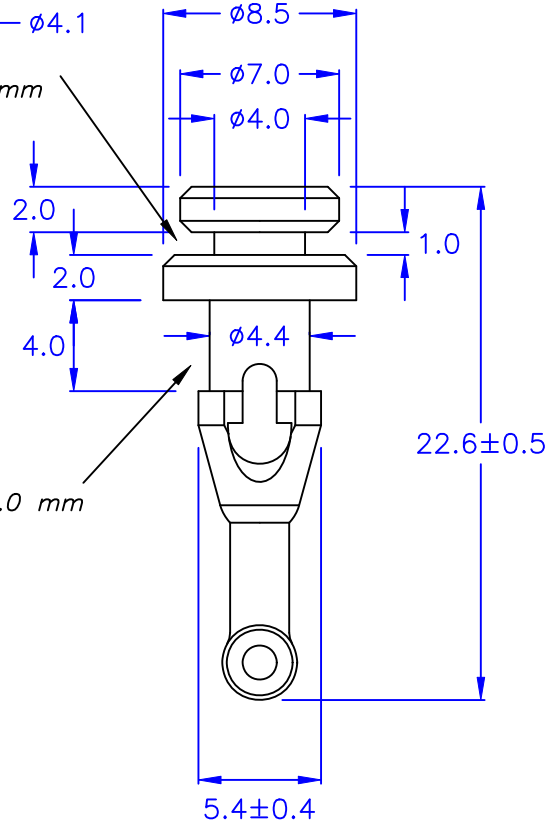
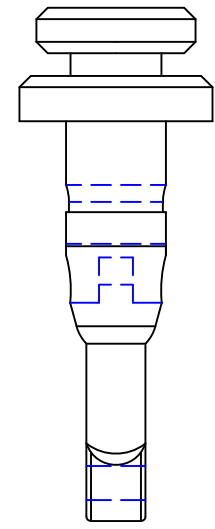


◎ HOLE IN CHASSIS:  
 ◎ CHASSIS THICKNESS: 1.0 mm




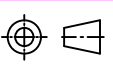
◎ FAN CHASSIS THICKNESS: 4.0 mm  
 ◎ HOLE IN FAN:  $\phi 4.5$



◎所有尺寸量測皆不含進膠口,膠口凸出1.2mm之內

◎Halogen 有鹵  
 ◎ROHS 2.0  
 ◎ROHS 六項 compliant

DRAW NO. PGAS035405 GJS

<b>PLASTIC TOLERANCE:</b>  $L \leq 10$ $\pm 0.3$ $10 < L \leq 80$ $\pm 0.5$ ABOVE 80 $\pm 1.0$	網頁圖示供參考,最終以品固公司正式圖面為主 The plastic tolerance is just for your reference; all the measurements and dimensions are according to the "DATA SHEET" issued by PINGOOD.	 品固企業股份有限公司 品基電子(東莞)有限公司 蘇州品基電子科技有限公司 東莞市鑽隆商貿有限公司 鑽隆有限公司 PINGOOD ENTERPRISE CO.,LTD.	<b>PART NAME:</b> 風扇鉚釘 FAN SNAP RIVET		<b>VERSION</b> A
	<b>MATERIAL:</b> SANTOPRENE V0 251-70 or EQUIVALENT		<b>PART NO.:</b> SR-26Y-RYB		<b>SIZE</b> 1D
	<b>COLOR:</b> BLACK 試片硬度: 75°		<b>SHEET 1 OF 1</b>		
 <b>UNIT</b> mm	<b>SCALE</b>				