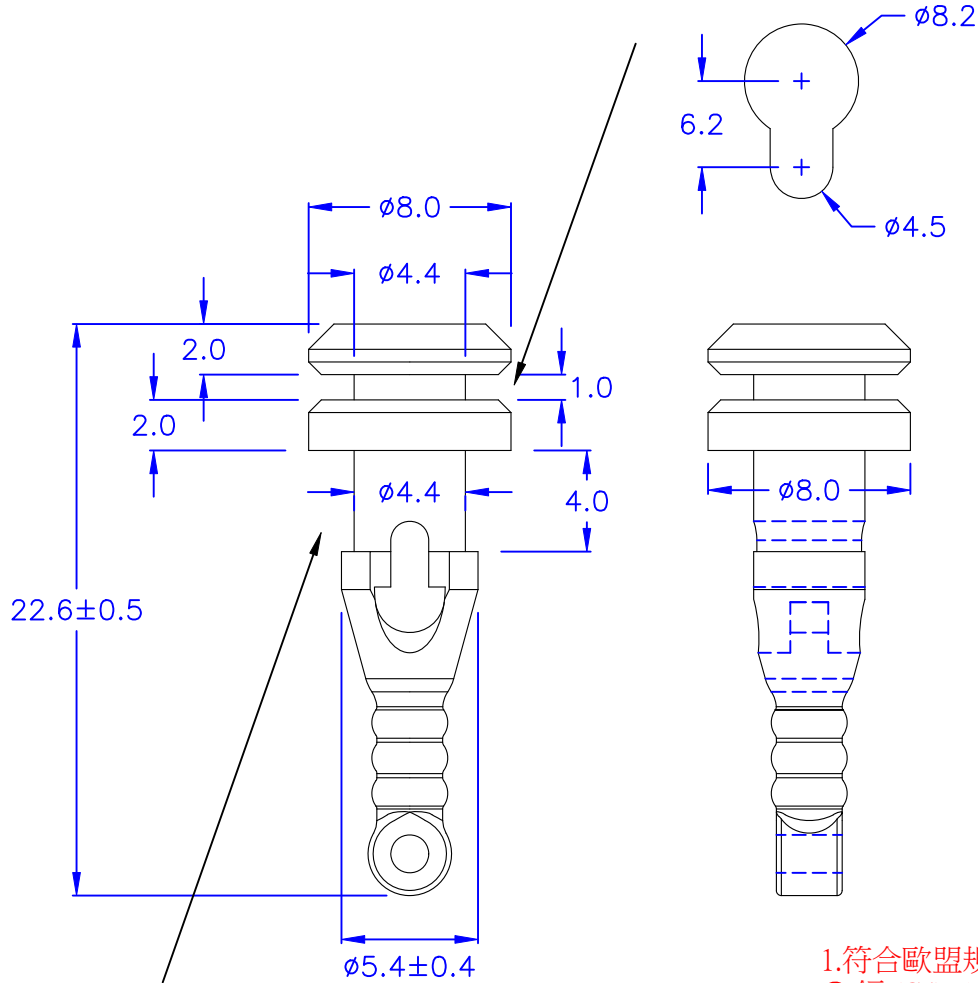


◎ FAN CHASSIS THICKNESS: 1.0 mm

◎ HOLE IN FAN:



◎ HOLE IN FAN:  $\phi 4.5$

◎ FAN CHASSIS THICKNESS: 4.0 mm

◎ 所有尺寸量測皆不含進膠口,膠口凸出1.2mm之內

1.符合歐盟規範

◎ 鎘 (Cd)<100ppm

◎ 鉛 (Pb)<1000ppm

◎ 汞 (Hg)<1000ppm

◎ 六價鉻 (Cr6+)<1000ppm

◎ 多溴聯苯類 (PBBs)<1000ppm

◎ 多溴聯苯醚類 (PBDEs)<1000ppm

2.有鹵

DRAW NO. PGAS033566

GJS

PLASTIC TOLERANCE:

L<10       $\pm 0.3$   
L>=10       $\pm 0.5$   
ABOVE 80    $\pm 1.0$

網頁圖示供參考,最終以品固公司正式圖面為主

The plastic tolerance is just for your reference; all the measurements and dimensions are according to the "DATA SHEET" issued by PINGOOD.

MATERIAL: SANTOPRENE 251-70  
or EQUIVALENT

COLOR: BLACK

試片硬度: 75°



品固企業股份有限公司  
品基電子(東莞)有限公司  
蘇州品基電子科技有限公司  
東莞市鑽隆商貿有限公司  
PINGOOD ENTERPRISE CO.,LTD.

PART NAME:

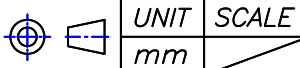
風扇鉚釘  
FAN SNAP RIVET

PART NO:

SR-21RK-RYB

A	VERSION
	1B
SIZE	

SHEET 1 OF 1



UNIT	SCALE
mm	

表單號碼QF135