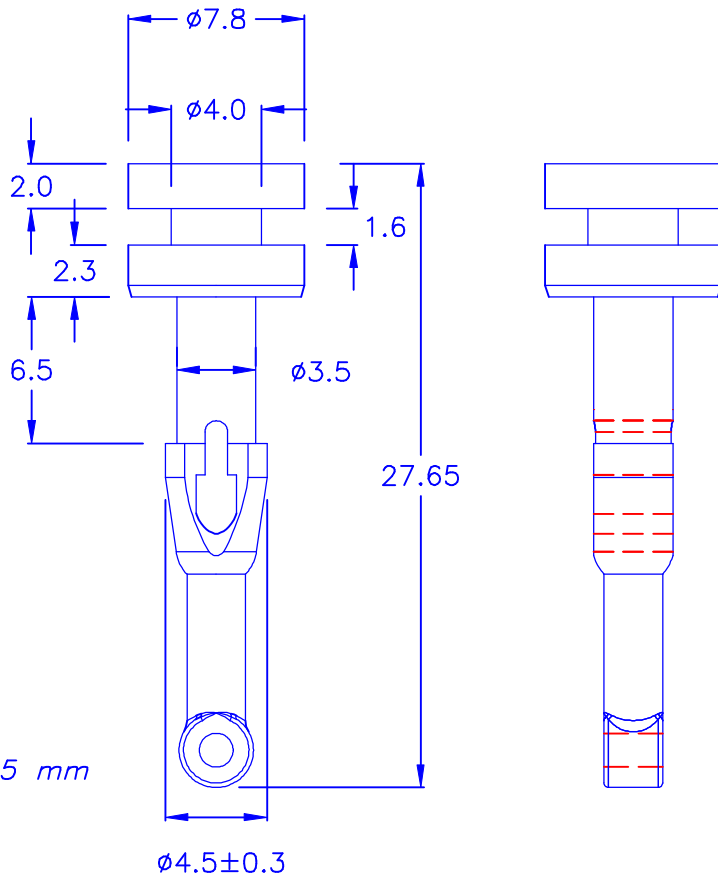
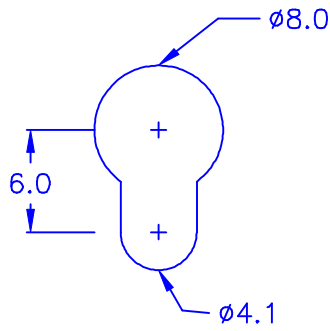


◎ CHASSIS THICKNESS: 1.6 mm

◎ HOLE IN CHASSIS:



◎ FAN CHASSIS THICKNESS: 6.5 mm

◎ HOLE IN FAN: $\phi 3.6$

◎ 所有尺寸量測皆不含進膠口,膠口凸出1.2mm 之內

1.符合歐盟規範

◎ 鎘 (Cd) <100ppm

◎ 鉛 (Pb) <1000ppm

◎ 汞 (Hg) <1000ppm

◎ 六價鉻 (Cr6+) <1000ppm

◎ 多溴聯苯類 (PBB s) <1000ppm

◎ 多溴聯苯醚類 (PBDE s) <1000ppm

2.有鹵

DRAW NO. PGAS020775

GJS

PLASTIC TOLERANCE:

L < 10 ±0.3
L ≥ 10 ±0.5
ABOVE 80 ±1.0

網頁圖示供參考,最終以品固公司正式圖面為主

The plastic tolerance is just for your reference; all the measurements and dimensions are according to the "DATA SHEET" issued by PINGOOD.



品固企業股份有限公司
品基電子(東莞)有限公司
蘇州品基電子科技有限公司
鑽隆有限公司
PINGOOD ENTERPRISE CO.,LTD.

MATERIAL: SANTOPRENE 251-70
or EQUIVALENT

PART NAME:

風扇鉚釘
FAN SNAP RIVET

A
SIZE

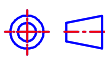
VERSION
3C

COLOR: BLACK

PART NO:

SR-17YRYBZ

SHEET 1 OF 1



UNIT SCALE
mm

試片硬度: 75°

表單號碼QF135