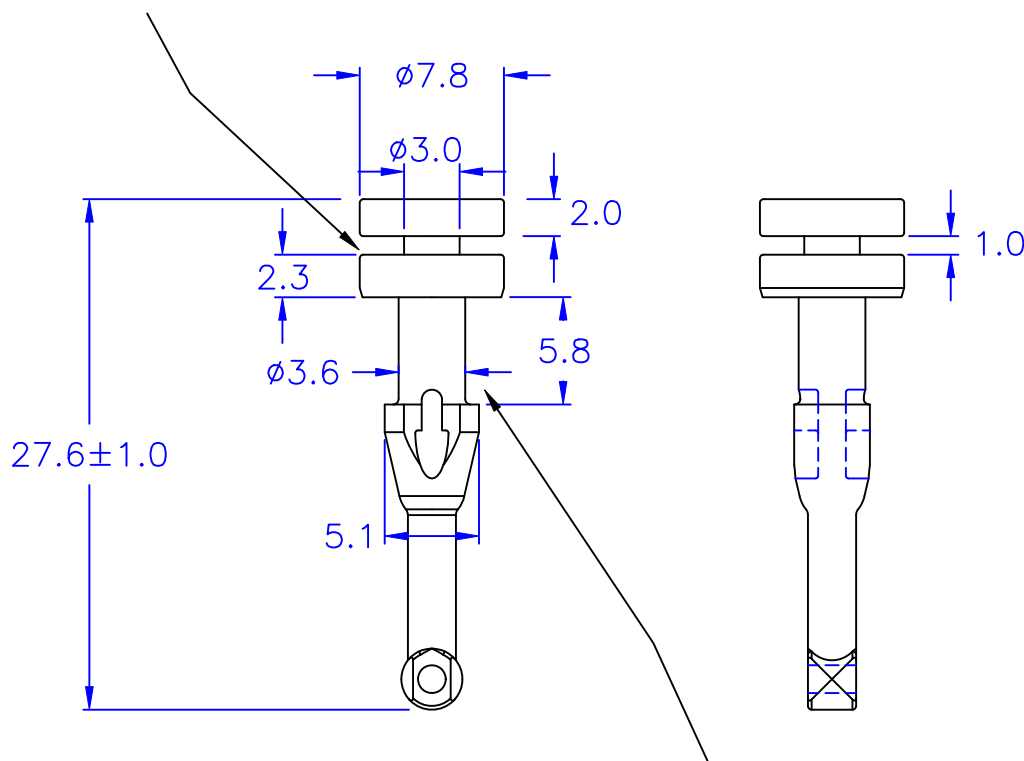


- ◎ HOLE IN CHASSIS: $\phi 3.0$
- ◎ CHASSIS THICKNESS: 1.0 mm



- ◎ HOLE IN FAN: $\phi 3.5$
- ◎ FAN CHASSIS THICKNESS: 6.5 mm

- ◎ Halogen Free 低鹵
- ◎ ROHS 2.0
- ◎ ROHS 六項 compliant

DRAW NO. PGAS033686

GJS

PLASTIC TOLERANCE:

L < 10	±0.3
10 ≤ L ≤ 80	±0.5
ABOVE 80	±1.0

網頁圖示供參考,最終以品固公司正式圖面為主

The plastic tolerance is just for your reference; all the measurements and dimensions are according to the "DATA SHEET" issued by PINGOOD.

MATERIAL: SILICONE VO or EQUIVALENT

COLOR: BLACK

試片硬度: 55° ± 5°



品固企業股份有限公司
品基電子(東莞)有限公司
蘇州品基電子科技有限公司
東莞市鑽隆商貿有限公司
PINGOOD ENTERPRISE CO.,LTD.

PART NAME:

風扇鉚釘
FAN SNAP RIVET

PART NO.:

SR-17KM-SFB

A

SIZE

VERSION

1D

SHEET 1 OF 1

		UNIT	SCALE
		mm	