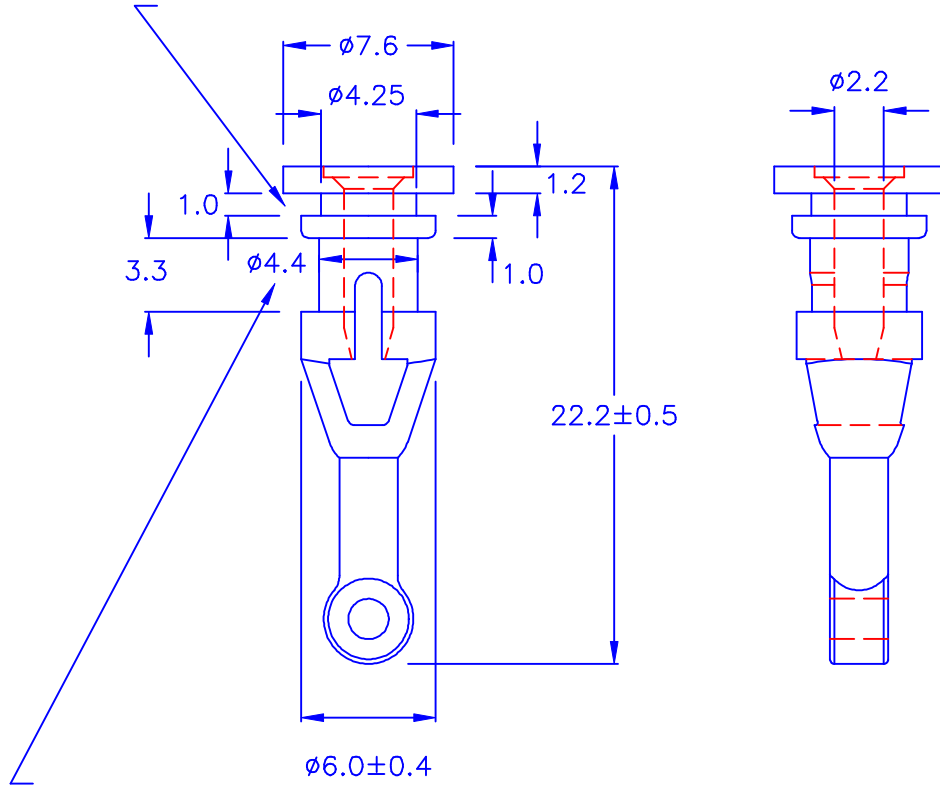


- ◎ HOLE IN CHASSIS:  $\phi 4.6$
- ◎ CHASSIS THICKNESS: 1.0 mm



- ◎ HOLE IN FAN:  $\phi 4.6$
- ◎ FAN CHASSIS THICKNESS: 3.8~4.0 mm

◎ 所有尺寸量測皆不含進膠口, 膠口凸出 1.2 mm 之內

- ◎ Halogen Free 低鹵
- ◎ ROHS 2.0
- ◎ ROHS 六項 compliant

DRAW NO. PGAS025589 GJS

|                    |      |
|--------------------|------|
| PLASTIC TOLERANCE: |      |
| L ≤ 10             | ±0.2 |
| 10 < L ≤ 30        | ±0.3 |
| 30 < L ≤ 50        | ±0.5 |
| 50 < L ≤ 100       | ±0.7 |
| 100 < L ≤ 250      | ±1.2 |
| ABOVE 250          | ±1.5 |

網頁圖示供參考, 最終以品固公司正式圖面為主

The plastic tolerance is just for your reference; all the measurements and dimensions are according to the "DATA SHEET" issued by PINGOOD.

MATERIAL: TPE

COLOR: BLACK

試片硬度: 55°



品固企業股份有限公司  
品基電子(東莞)有限公司  
蘇州品基電子科技有限公司  
鑽隆有限公司  
PINGOOD ENTERPRISE CO.,LTD.

PART NAME:

風扇鉚釘  
FAN SNAP RIVET

PART NO:

SR-15YT4BZ

|      |         |
|------|---------|
| A    | VERSION |
|      | 2B      |
| SIZE |         |

SHEET 1 OF 1

|  |      |       |
|--|------|-------|
|  | UNIT | SCALE |
|  | mm   |       |