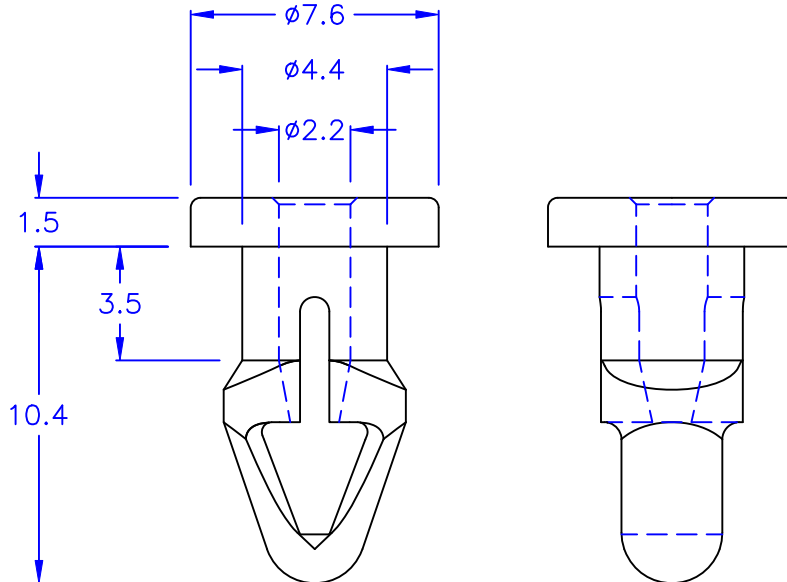


- ◎ HOLE IN CHASSIS: $\phi 5.0$ mm
- ◎ CHASSIS THICKNESS: 1.0 mm



- ◎ HOLE IN FAN: $\phi 4.45$ mm
- ◎ FAN CHASSIS THICKNESS: 4.0~4.2 mm
- ◎ 所有尺寸量測皆不含進膠口,膠口凸出1.2mm之內

◎Halogen Free 低鹵

DRAW NO. PGAS035384

GJS

PLASTIC TOLERANCE: $L \leq 10$ ± 0.2 $10 < L \leq 30$ ± 0.3 $30 < L \leq 50$ ± 0.5 $50 < L \leq 100$ ± 0.7 $100 < L \leq 250$ ± 1.2 ABOVE 250 ± 1.5	網頁圖示供參考,最終以品固公司正式圖面為主 The plastic tolerance is just for your reference; all the measurements and dimensions are according to the "DATA SHEET" issued by PINGOOD.	
	MATERIAL: TPE V0 or EQUIVALENT	
	COLOR: BLACK	
	試片硬度: $55^{\circ} \pm 5^{\circ}$	



品固企業股份有限公司
 品基電子(東莞)有限公司
 蘇州品基電子科技有限公司
 東莞市鑽隆商貿有限公司
 鑽隆有限公司
 PINGOOD ENTERPRISE CO.,LTD.

PART NAME:

風扇鉚釘
 SNAP RIVET

A

VERSION

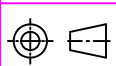
SIZE

1

PART NO:

SR-13Y-ZJB-Z

SHEET 1 OF 1



UNIT	SCALE
mm	