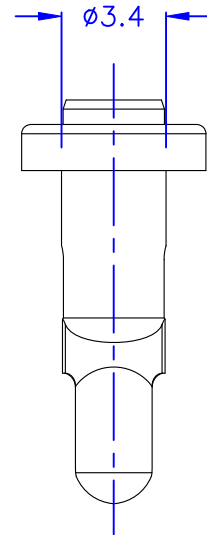
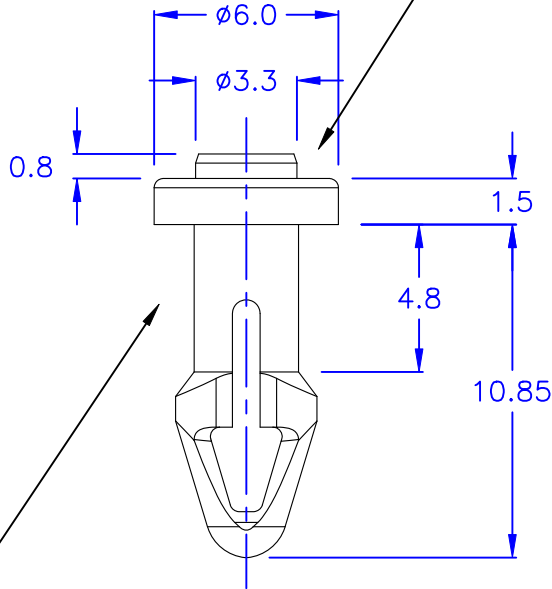


◎ HOLE IN CHASSIS: $\phi 3.5$
 ◎ CHASSIS THICKNESS: 0.8 mm



◎ HOLE IN FAN: $\phi 3.5$
 ◎ FAN CHASSIS THICKNESS: 5.0 mm

◎ 所有尺寸量測皆不含進膠口,膠口凸出1.2mm之內

◎Halogen Free 低鹵

DRAW NO. PGAS033333

GJS

PLASTIC TOLERANCE:

$L \leq 10$	± 0.2
$10 < L \leq 30$	± 0.3
$30 < L \leq 50$	± 0.5
$50 < L \leq 100$	± 0.7
$100 < L \leq 250$	± 1.2
ABOVE 250	± 1.5

網頁圖示供參考,最終以品固公司正式圖面為主
 The plastic tolerance is just for your reference; all the measurements and dimensions are according to the "DATA SHEET" issued by PINGOOD.

MATERIAL: TPE V0 or EQUIVALENT

COLOR: BLACK

試片硬度: $75^{\circ} \pm 5^{\circ}$



品固企業股份有限公司
 品基電子(東莞)有限公司
 蘇州品基電子科技有限公司
 東莞市鑽隆商貿有限公司
 PINGOOD ENTERPRISE CO.,LTD.

PART NAME:

風扇鉚釘
 FAN SNAP RIVET

PART NO:

SQR-3AK-ZCB-Z

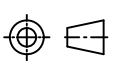
A

SIZE

VERSION

1

SHEET 1 OF 1



UNIT
mm

SCALE