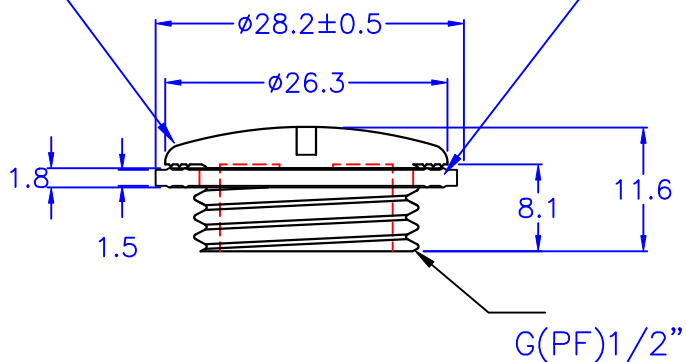


PLASTIC MATERIAL: N66 V2

WASHER MATERIAL: SILICONE V0



- ◎Halogen Free 低鹵
- ◎ROHS 2.0
- ◎ROHS 六項 compliant

DRAW NO. PGAS028926

GJS

PLASTIC TOLERANCE:	
L ≤ 10	±0.2
10 < L ≤ 30	±0.3
30 < L ≤ 50	±0.5
50 < L ≤ 100	±0.7
100 < L ≤ 250	±1.2
ABOVE 250	±1.5

網頁圖示供參考, 最終以品固公司正式圖面為主
 The plastic tolerance is just for your reference; all the measurements and dimensions are according to the "DATA SHEET" issued by PINGOOD.



品固企業股份有限公司
 品基電子(東莞)有限公司
 蘇州品基電子科技有限公司
 東莞市鑽隆商貿有限公司
 PINGOOD ENTERPRISE CO.,LTD.

PLASTIC MATERIAL: N66 V2 or EQUIVALENT

PART NAME:

防水螺旋塞環
 WATERPROOF PLUG

A

SIZE

VERSION

1

WASHER MATERIAL: SILICONE V0 or EQUIVALENT

試片硬度: 60°

PART NO:

SM-PF12-HHB-X

SHEET 1 OF 1

	UNIT	SCALE
	mm	

COLOR: BLACK