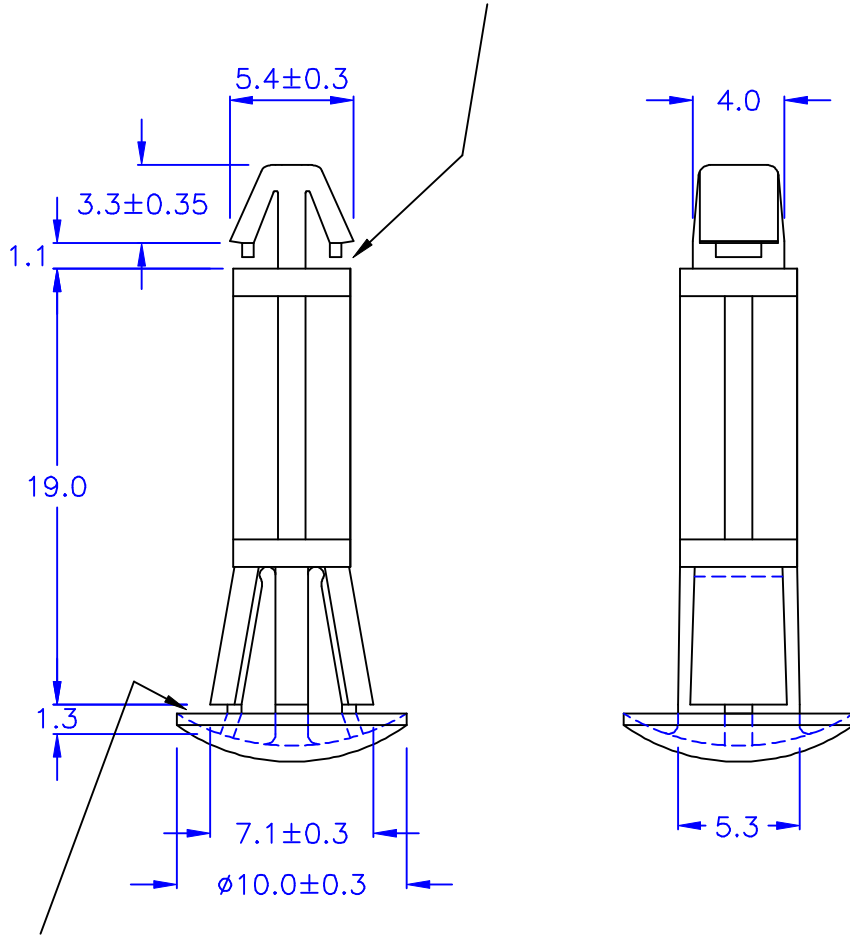


◎ HOLE IN CHASSIS:  $\phi 4.2$   
 ◎ CHASSIS THICKNESS: 1.0 mm



◎ HOLE IN CHASSIS:  $\phi 5.5$   
 ◎ CHASSIS THICKNESS: 0.6~0.8 mm

◎ Halogen Free 低鹵  
 ◎ ROHS 2.0  
 ◎ ROHS 六項 compliant

DRAW NO. PGAS032932

GJS

PLASTIC TOLERANCE:	
L ≤ 10	±0.2
10 < L ≤ 30	±0.3
30 < L ≤ 50	±0.5
50 < L ≤ 100	±0.7
100 < L ≤ 250	±1.2
ABOVE 250	±1.5

網頁圖示供參考, 最終以品固公司正式圖面為主  
 The plastic tolerance is just for your reference; all the measurements and dimensions are according to the "DATA SHEET" issued by PINGOOD.

MATERIAL: N66 V2 or EQUIVALENT

COLOR: NATURAL



品固企業股份有限公司  
 品基電子(東莞)有限公司  
 蘇州品基電子科技有限公司  
 東莞市品基商貿有限公司  
 鑽隆有限公司  
 PINGOOD ENTERPRISE CO., LTD.

PART NAME:

P.C. 板間隔柱  
 SPACER SUPPORT

A  
 SIZE

VERSION

1

PART NO:

SCM-19-N2W

SHEET 1 OF 1

	UNIT	SCALE
	mm	