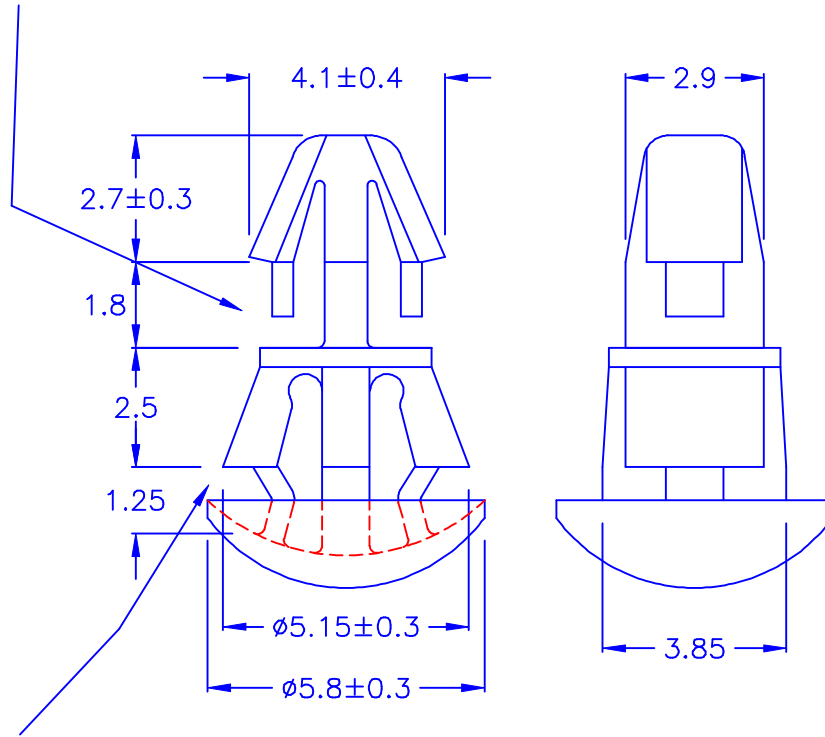


- ◎ HOLE IN DIMENSIONS:  $\phi 3.0$
- ◎ CHASSIS THICKNESS: 1.4~1.6mm



- ◎ HOLE IN DIMENSIONS:  $\phi 4.0$
- ◎ CHASSIS THICKNESS: 0.8~1.0mm

- ◎ Halogen Free 低鹵
- ◎ ROHS 2.0
- ◎ ROHS 六項 compliant

DRAW NO. PGAS022332

GJS

**PLASTIC TOLERANCE:**

$L \leq 10$	$\pm 0.2$
$10 < L \leq 30$	$\pm 0.3$
$30 < L \leq 50$	$\pm 0.5$
$50 < L \leq 100$	$\pm 0.7$
$100 < L \leq 250$	$\pm 1.2$
ABOVE 250	$\pm 1.5$

網頁圖示供參考, 最終以品固公司正式圖面為主

The plastic tolerance is just for your reference; all the measurements and dimensions are according to the "DATA SHEET" issued by PINGOOD.

MATERIAL: N66 V2 or EQUIVALENT

COLOR: NATURAL



品固企業股份有限公司  
品基電子(東莞)有限公司  
蘇州品基電子科技有限公司  
鑽隆有限公司  
PINGOOD ENTERPRISE CO.,LTD.

PART NAME:

P.C. 板間隔柱  
SPACER SUPPORT

A  
SIZE

VERSION

1A

PART NO:

SCK-2C-N2W

SHEET 1 OF 1



UNIT	SCALE
mm	