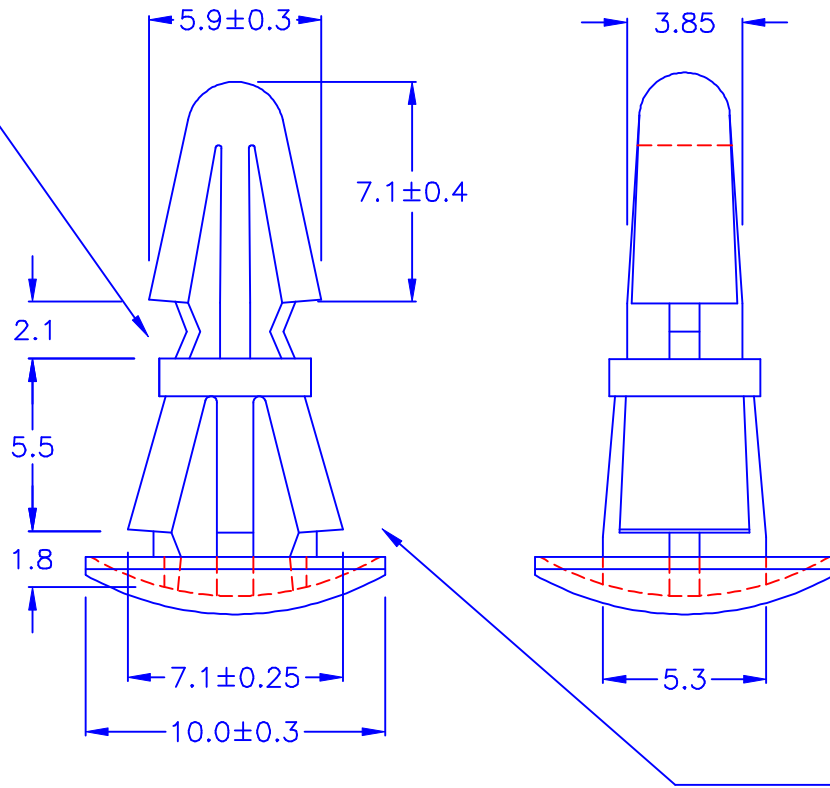


- ◎ HOLE IN P.C.B.: $\phi 4.0$
- ◎ P.C.B. THICKNESS: 1.2~1.6 mm



- ◎ HOLE IN CHASSIS: $\phi 5.5$
- ◎ CHASSIS THICKNESS: 0.8~1.7 mm

- ◎ Halogen Free
- ◎ ROHS compliant

DRAW NO. PGAS019553

GJS

PLASTIC TOLERANCE:	
$L \leq 10$	± 0.2
$10 < L \leq 30$	± 0.3
$30 < L \leq 50$	± 0.5
$50 < L \leq 100$	± 0.7
$100 < L \leq 250$	± 1.2
ABOVE 250	± 1.5

網頁圖示供參考, 最終以品固公司正式圖面為主
The plastic tolerance is just for your reference; all the measurements and dimensions are according to the "DATA SHEET" issued by PINGOOD.



品固企業股份有限公司
品基電子(東莞)有限公司
蘇州品基電子科技有限公司
鑽隆有限公司
PINGOOD ENTERPRISE CO.,LTD.

MATERIAL: N66 V2 or EQUIVALENT

COLOR: NATURAL

PART NAME:

P.C. 板間隔柱
SPACER SUPPORT

A
SIZE

VERSION

3A

PART NO:

SCB-5.5

SHEET 1 OF 1

	UNIT	SCALE
	mm	