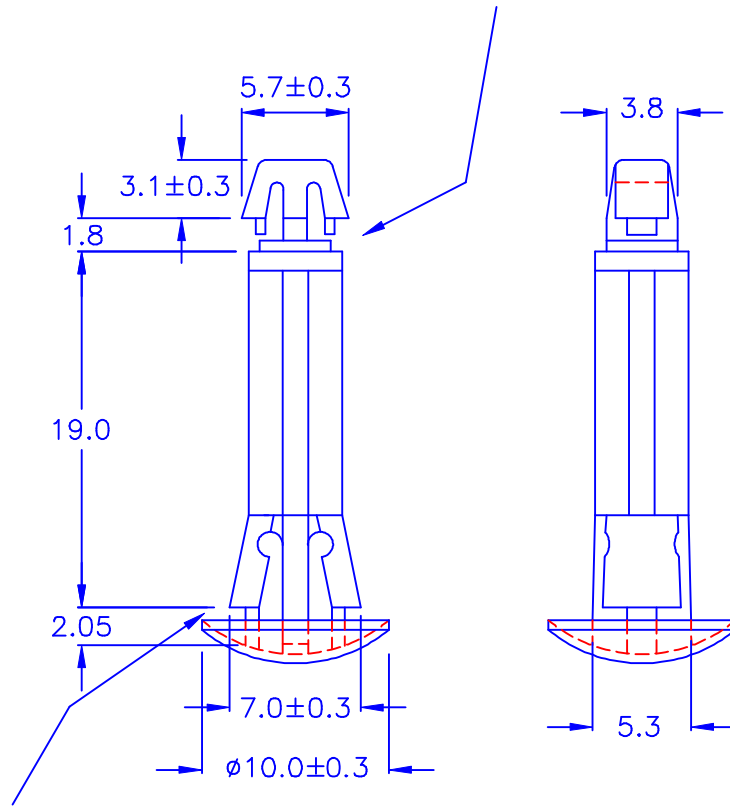


◎ HOLE IN DIMENSIONS:  $\phi 4.5$   
 ◎ CHASSIS THICKNESS: 1.6mm



◎ HOLE IN DIMENSIONS:  $\phi 5.5$   
 ◎ CHASSIS THICKNESS: 0.8mm

◎Halogen Free  
 ◎ROHS compliant

DRAW NO. PGAS019552

GJS

PLASTIC TOLERANCE:	
L≤10	±0.2
10<L≤30	±0.3
30<L≤50	±0.5
50<L≤100	±0.7
100<L≤250	±1.2
ABOVE 250	±1.5

網頁圖示供參考,最終以品固公司正式圖面為主  
 The plastic tolerance is just for your reference; all the measurements and dimensions are according to the "DATA SHEET" issued by PINGOOD.

MATERIAL: N66 V2 or EQUIVALENT  
 COLOR: NATURAL



品固企業股份有限公司  
 品基電子(東莞)有限公司  
 蘇州品基電子科技有限公司  
 鑽隆有限公司  
 PINGOOD ENTERPRISE CO.,LTD.

PART NAME:  
 P.C. 板間隔柱  
 SPACER SUPPORT

VERSION	A
	1B
SIZE	

PART NO:  
 SCA-19-N2W

SHEET 1 OF 1

UNIT	SCALE
	mm

表單號碼QF135