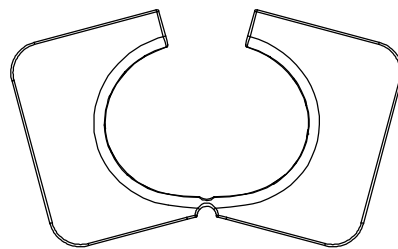
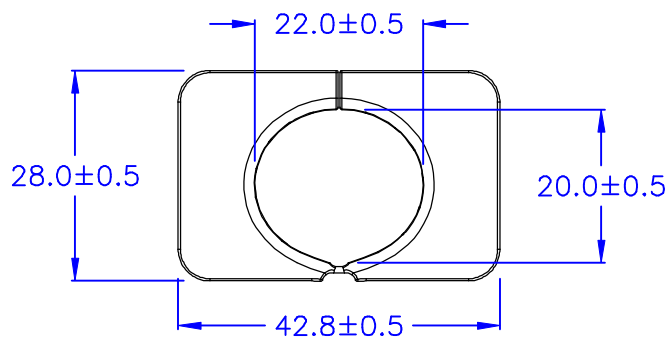
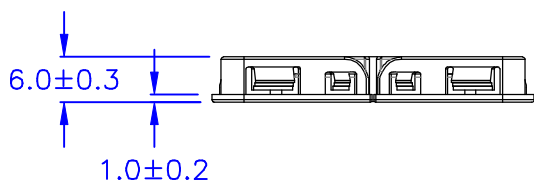


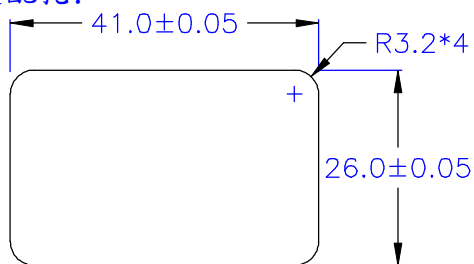
開口示意圖：



裝入裝配孔後圖示：



裝配孔：



◎ THICKNESS: 0.8 mm

◎ 閉合尺寸須裝入裝配孔後量測

- ◎Halogen Free 低鹵
- ◎ROHS 2.0
- ◎ROHS 六項 compliant

DRAW NO. PGAS021147 GJS

PLASTIC TOLERANCE:	
L ≤ 10	±0.2
10 < L ≤ 30	±0.3
30 < L ≤ 50	±0.5
50 < L ≤ 100	±0.7
100 < L ≤ 250	±1.2
ABOVE 250	±1.5

網頁圖示供參考，最終以品固公司正式圖面為主
The plastic tolerance is just for your reference; all the measurements and dimensions are according to the "DATA SHEET" issued by PINGOOD.

MATERIAL: N66 V2 or EQUIVALENT

COLOR: BLACK



品固企業股份有限公司
品基電子(東莞)有限公司
蘇州品基電子科技有限公司
鑽隆有限公司
PINGOOD ENTERPRISE CO.,LTD.

PART NAME:

方形護線環
EDGE SADDLE

A

VERSION

SIZE

1

PART NO:

SAQ-20A-N2B

SHEET 1 OF 1

	UNIT	SCALE
	mm	