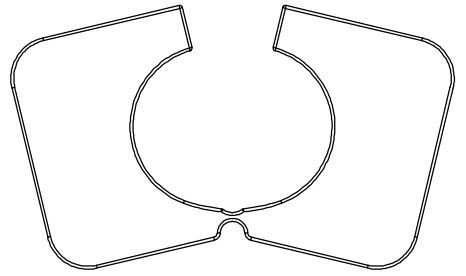
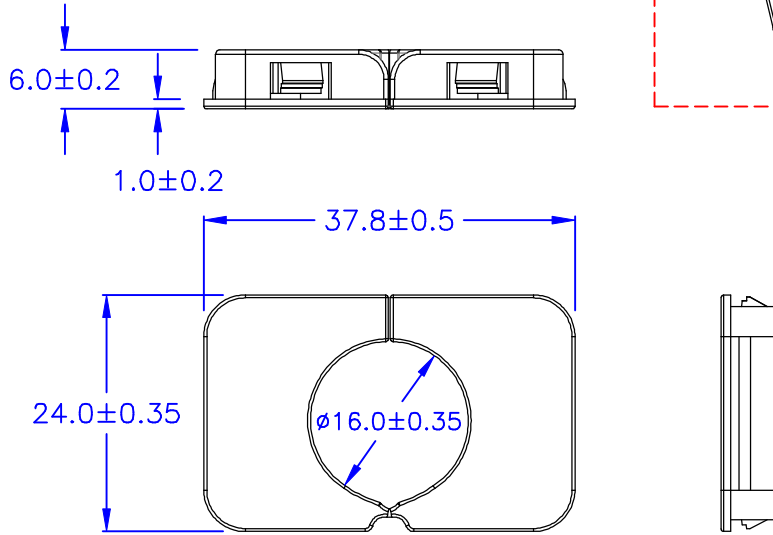


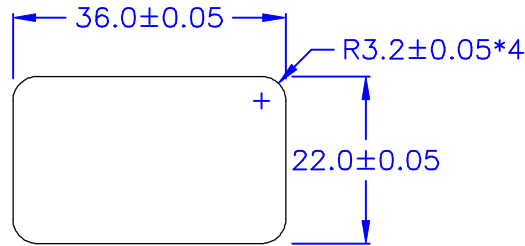
開口示意圖:



裝入裝配孔後圖示:



裝配孔:



◎ THICKNESS: 0.8 mm

◎ 閉合尺寸須裝入裝配孔後量測

- ◎ Halogen Free 低鹵
- ◎ ROHS 2.0
- ◎ ROHS 六項 compliant

DRAW NO. PGAS021147

GJS

PLASTIC TOLERANCE:	
L≤10	±0.2
10<L≤30	±0.3
30<L≤50	±0.5
50<L≤100	±0.7
100<L≤250	±1.2
ABOVE 250	±1.5

網頁圖示供參考, 最終以品固公司正式圖面為主  
The plastic tolerance is just for your reference; all the measurements and dimensions are according to the "DATA SHEET" issued by PINGOOD.

MATERIAL: N66 V2 or EQUIVALENT

COLOR: BLACK



品固企業股份有限公司  
品基電子(東莞)有限公司  
蘇州品基電子科技有限公司  
鑽隆有限公司  
PINGOOD ENTERPRISE CO.,LTD.

PART NAME:

方形護線環  
EDGE SADDLE

A  
SIZE

VERSION

1

PART NO:

SAQ-16-N2B

SHEET 1 OF 1



UNIT	SCALE
mm	