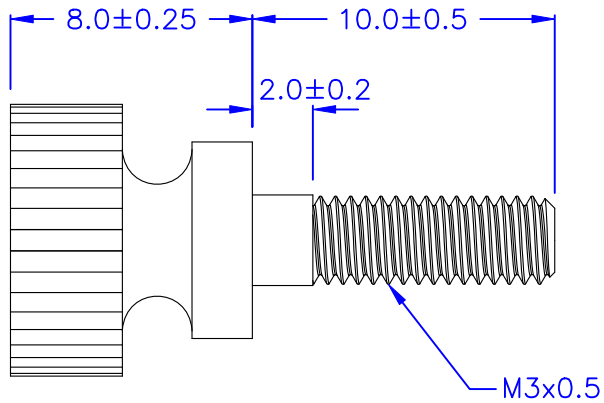
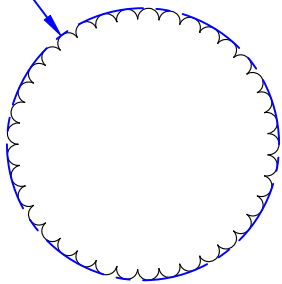


ø9.0±0.3



- ◎Halogen Free 低鹵
- ◎ROHS 2.0
- ◎ROHS 六項 compliant

DRAW NO. PGAS035629 GJS

PLASTIC TOLERANCE:	
L ≤ 10	±0.2
10 < L ≤ 30	±0.3
30 < L ≤ 50	±0.5
50 < L ≤ 100	±0.7
100 < L ≤ 250	±1.2
ABOVE 250	±1.5

網頁圖示供參考, 最終以品固公司正式圖面為主
The plastic tolerance is just for your reference; all the measurements and dimensions are according to the "DATA SHEET" issued by PINGOOD.

MATERIAL: N66 V2 or EQUIVALENT
COLOR: BLACK



品固企業股份有限公司
品基電子(東莞)有限公司
蘇州品基電子科技有限公司
東莞市鑽隆商貿有限公司
鑽隆有限公司
PINGOOD ENTERPRISE CO.,LTD.

PART NAME:		A SIZE	VERSION 1
塑膠螺絲 PLASTIC SCREW			
PART NO:		S-318C-N2B	
		SHEET 1 OF 1	

	UNIT	SCALE
	mm	