

# PLASTIC ELECTRONIC PRODUCTS

電子電腦塑膠零件  
固扣件專業設計製造廠

# 品固品基

2024 43th **PINGOOD**

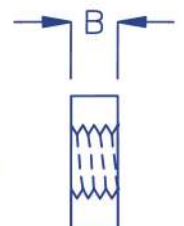
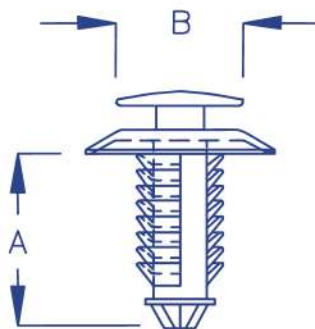
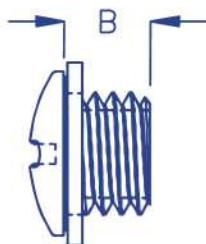
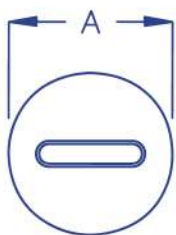
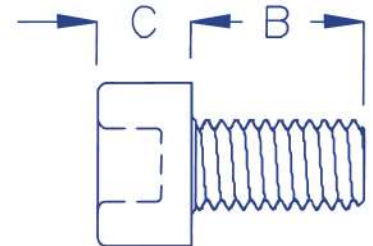
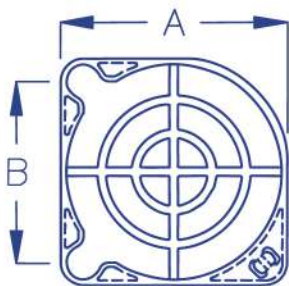
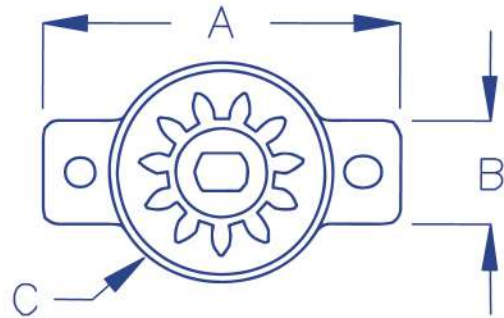
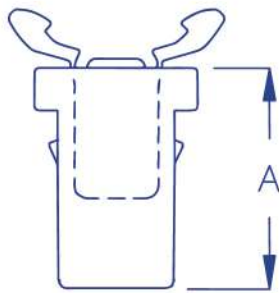


IATF 16949

ISO 9001

ISO 14001

QC080000



共同設計開發製造、共同設計服務製造 JDVM, JDVM



# PINGOOD ENTERPRISE CO., LTD.

NO.8, ALLEY 1, LANE 768, SEC.4 PATEH RD., TAIPEI 115027, TAIWAN

TEL: 886-2-27885767 FAX: 886-2-27885768 <http://www.pingood.com.tw>



蘇州品基電子科技有限公司  
**FACTORY: SUZHOU, CHINA**



品固企業股份有限公司 台北總公司  
**HEADQUARTERS: TAIPEI, TAIWAN**



品基電子(東莞)有限公司  
**FACTORY: DONGGUAN, CHINA**  
2022年5月啟用



品固企業股份有限公司 中壢工廠  
**FACTORY: ZHONGLI, TAIWAN**  
2024年6月啟用

## 公司簡介

**公司名稱**：品固企業股份有限公司  
(品基東莞，蘇州品基)

**設立時間**：1982年6月15日(成立43年)

**資本額**：新台幣126,000,000元

**地址**：台北市南港區八德路四段768巷1弄8號

**電話**：886-2-27885767

**傳真**：886-2-27885768

**部門分類**：業務部，研發部，財務部，生管部，模具製造部，品管部，MIS部門，ERP部門，總經理室，廠務部，資材部

## Company Profile

**Company**: PINGOOD Enterprise Co., Ltd.

**Founded**: June 15 th, 1982.

(43 th Anniversary)

**Capital**: US\$4,200,000.00

**Address**: No.8, Alley 1, Lane 768, Sec.4 Pateh Rd., Taipei 115027, Taiwan

**Telephone** : 886-2-27885767

**FAX** : 886-2-27885768

**Department**: Sales&Marketing, R&D, Finance, Production, Molding, Q.C, MIS, ERP...etc.

台北總公司面積：2800 平方公尺  
中壢工廠面積：16000 平方公尺  
中壢工廠地址：桃園市中壢區東園路  
21 號  
模具廠面積：800 平方公尺  
品基東莞工廠面積：36000 平方公尺  
品基東莞工廠地址：廣東省東莞市塘廈  
鎮果嶺路 1 號  
蘇州品基工廠面積：12000 平方公尺  
蘇州品基工廠地址：江蘇省蘇州市吳中  
區橫涇街道天鵝蕩路 2986 號  
設備：射出成型機，CNC 放電加工機，  
CNC 線割機，CNC 綜合加工機 ...etc.  
實驗室儀器：3D 影像量測儀，X-Ray 光  
譜儀，氣相色譜質譜聯用儀，環境實驗  
機，影像量測儀，顯微鏡投影機，繪圖機，  
萬能破壞機，高阻抗測試機，拉力機，自  
動測試機 ...etc.  
國內主要客戶：各大股票上市上櫃之電  
腦電子產品製造廠及相關產品製造商。  
國外主要客戶：DELL，HITACHI，  
SONY，HP，SHARP，...etc.  
海外行銷：本公司海外行銷遍及五大洲  
產品認證：UL  
公司認證：ISO9001, IATF 16949  
工廠認證：ISO9001, ISO14001,  
QC080000, IATF 16949 認證

- \* 所有尺寸及規格均以本公司之產品承認書為主，目錄尺寸，僅供參考
- \* 本公司產品未標示單位皆採 mm 之公制單位
- \* 目錄建議裝配方式，僅供參考
- \* 目錄之包裝數量，僅供參考
- \* 標示 **NEW**，★ 為新產品
- \* 歡迎各界大鑒不吝來電賜教，本公司定當竭誠為您服務
- \* 發行日期：2023 年 11 月 1 日

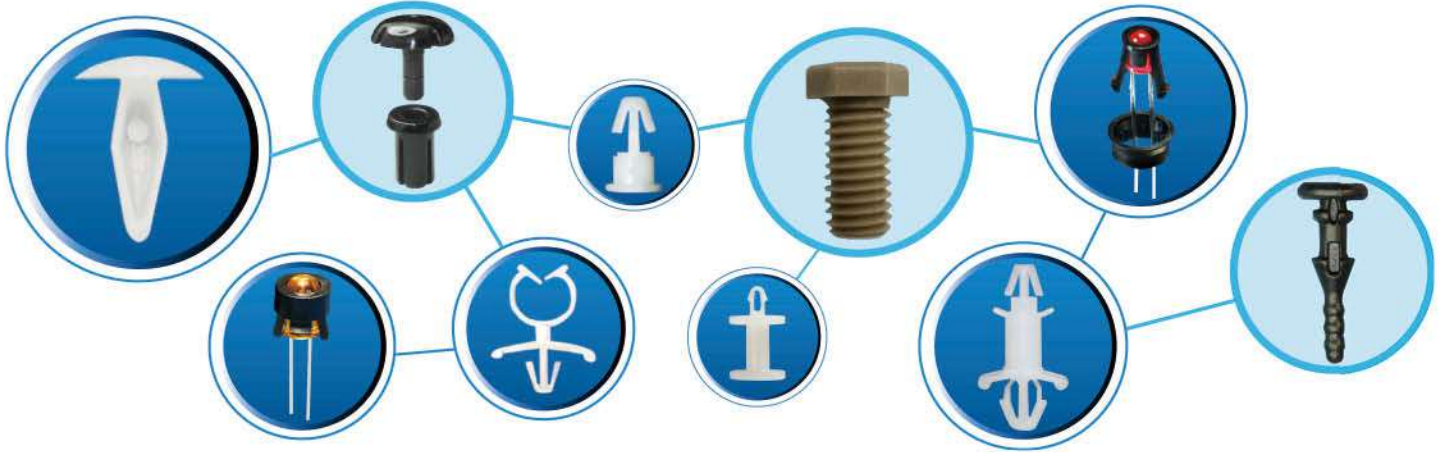
Taipei ,Taiwan HQ: 2,800 m<sup>2</sup>  
Company Owned Factory :  
Zhongli Dist,Taiwan : 16,000 m<sup>2</sup>  
Mold Factory Area: 800 m<sup>2</sup>  
Dongguan ,China : 36,000 m<sup>2</sup>  
Suzhou ,China : 12,000 m<sup>2</sup>  
Facilities: In-house Design, In-house  
tool shop, Injection line  
Sales Territory: Worldwide  
Certificate: UL, ISO9001, ISO14001,  
QC080000, IATF 16949

- \*This catalogue is only subsidiary for your reference; all the measurments and dimensions are according to the "DATA SHEET" issued by PINGOOD.
  - \*All measures are in metric unit of "mm"scale except noted.
  - \*Catalogue assembly methods for reference only.
  - \*Catalogue package amounts for reference only.
  - \*The marking " **NEW** ", " ★ " appearing on a new product.
  - \*Detailed information will be provided upon request, please kindly contact us for the best customer service, information is available via email at pingood@pingood.com.tw.
- Issue Date:** Nov.1 , 2023



# Our Strengths

We Can Offer fast services, efficient solution and High standard of reliable Quality.



## Product:

More than 10,000 SKUs standard ready parts, Specialized in Custom parts as well.

## Manufacture:

In-house total solution from Design & tooling to mass production to offer appropriate delivery.

## Upgrade Facilities:

To meet compact design trend of small size product, Our mission to Provide the best equipment fulfill the customer's request.

## Marketing support:

General Catalogue, E-catalogue; Resource website: High visibility on sourcing from PINGOOD website.



[www.pingood.com.tw](http://www.pingood.com.tw)



## 品固企業環境管理物質沿革

自 2006 年起，本公司所有產品已全面導入符合歐盟 RoHS 指令的要求，環保檢測實驗室亦同時成立。

2009 年起，因應國際綠色組織提出鹵素化合物對於人體及環境具有潛在危害的訴求，開始導入無鹵素 ( Halogen Free, HF ) 產品。

2009 年起，歐盟 REACH 法規公布，開始與供應商合作調查產品中化學成分，確保產品中不含 REACH 法規中所規範的高關注物質 ( Substance of Very High Concern, SVHC )。2010 年，鑑於國際間關注非洲地區所開採之衝突礦產 ( 錫、金、鈹、鎢 ) 於電子電機產品中的使用狀況，品固企業產品中並不含有上述成分，亦要求供應商需於材料承認階段，即承諾產品中不可使用衝突礦產。

## ISO9001 品質管理系統政策：

### 全員參與、客戶滿意、員工高興、永續經營

品固企業致力於品質持續改善的過程，以符合 ISO 9001 品質管理系統之需求，為此目標我們必須提供最優等的產品和服務品質，來實現海內外廣大客戶群品質滿意的保證。

## ISO14001 環境管理系統政策：

### 節省能源減少廢棄物、減低污染回收再利用

環境保護是品固企業身為地球公民一份子的重要責任，品固企業向其所有員工，客戶及社會大眾承諾，每一管理運作均以可靠的，符合環境保護的方式進行，製程中所產生的各項污染，廢棄物的預防及減低，以及資源回收再利用，是我們對環境保護持續改善的主要方向。

## QC 080000 產品無有害物質管理系統政策：

### 符合法規預防汙染、綠色採購持續改善

面對當前全球環境保護趨勢及各項環境保護法令之持續要求，品固企業持續以最新的技術及不間斷之管理制度，善盡地球環境保護的一份心力，為社會及企業永續經營而努力，品固企業在設計初期便將環境管理物質納入設計規劃重點，嚴格要求供應鏈提供的原物料必須遵守國際相關環保法規，以及品固企業訂定的環境管理物質技術標準以及管制內容。

## IATF 16949 國際汽車品質管理系統：

### 客戶滿意、持續改善、預防生產、降低風險

確保品固展現對品質的承諾，達到持續性的改善，並以經濟高效的方式為客戶提供更優質的產品和服務，從產品設計、開發、生產到組裝，以達到汽車工業嚴格的品質檢驗標準。



## 品固企業對碳排放減量之承諾

品固企業深知氣候變遷是因人類活動產生大量溫室氣體，造成了地球溫度的上升，做為地球公民的一份子，必須要善盡社會責任！

建立有效的碳 / 溫室氣體排放量的盤查，從減碳思維更進一步提昇整體作業流程，每年可以省 35 萬度的電力，在生產的過程中減少 175.7 公噸的碳排放，對廠內製程進行碳管理。品固企業推動碳 / 溫室氣體減量及改善計畫，持續對環境保護盡一份心力，以提供環保、減碳的綠色產品給廣大的海內外客戶。

品固企業從 2013 推行節能至今，推動太陽能發電，對地球環保盡一份責任。

## Milestone of Green procurement of sources

2006 Meet RoHS Compliant.

2009 Meet REACH Requirement & Implement to Halogen Free products.

2010 Commit not to use conflict minerals.

## ISO9001 Quality Management System

We continue following the most effective quality management system to have continuous improvements in the quality of our product & service to achieve our domestic and global customers' satisfaction.

## ISO14001 Environmental Management System

Environmental Protection is all our responsibilities. PINGOOD has also adopted the internal controls to have ISO 14001 compliance from the resources and production processes to meet energy saving, reduction in waste and consumption of resources and minimize the impact to the environmental for a long term viability of businesses.

## QC 080000 Hazardous Substance Process Management System

Today, we are facing the ongoing global environmental protection requirements. PINGOOD has implemented with the latest technology and continuous improvement management system to meet the environmental friendly from the design phase, material from the supply chains, to mass production all comply with the updated global environmental regulations.

## IATF 16949 International Automobile Quality Management System

Our stream-line solution from design to mass production are qualified the high standard quality control in automotive industry supply chain.

## Carbon footprint Verification

In 2013, PINGOOD has conducted effective carbon/GHG emission verification to further enhance overall production process flow to reduce carbon emissions and done the extra environmental protection efforts toward a long term business goal.

# 各項證書 Certificate

Certificate TAO119008

The registered name of  
**PINGOOD ENTERPRISE CO., LTD.**  
No. 8, Dongguan Rd., Zhong District,  
Taoyuan City, 330, Taiwan.

has been assessed and certified as meeting the requirements of  
**ISO 9001:2015**

For the following activities:  
The scope of registration appears on page 2 of this certificate.

This certificate is valid from 23 August 2021 until 24 August 2024 and  
remains valid subject to satisfactory surveillance audits.  
Recertification audit due in minimum of 90 days before the expiration date.  
Issue 4. Certified since 20 August 2021.

This is a multi-site certification.  
Additional site details are listed on subsequent pages.

Authorized by:

100 ISO 9001:2015  
Pingood Enterprise Co., Ltd. (Taiwan) - 0482-363-141  
1 company address, 1 certified location (organization)

SGS IAF UKAS

**CERTIFICATE**

Hereby Grants To:

**PingGood Enterprise (DongGuan) Co., Ltd.**  
Organization Credit Code: 9144190270407003N  
Registered Address: Room 701, No. 8 Building, No. 3, Guofeng Road, Tangde Town,  
Dongguan City, Guangdong Province, P.R. China  
Business Address: Room 701, No. 8 Building, No. 3, Guofeng Road, Tangde Town, Dongguan  
City, Guangdong Province, P.R. China

Has been assessed and found to be in accordance with the requirements of standard  
defined below  
**GB/T 19001-2016/ISO 9001-2015**

Scope  
**The Manufacture of Plastic Fittings for Electronic and Computer  
Equipment**  
IAF Code: 14

Certificate No.: DZCC/D20080462  
Certificate Issue Date: 2023-11-07  
Registration Expiration Date: 2026-11-10

The certified organization must pass surveillance audit to ensure the validity of the certificate.

Authorized by:

MSCB-235

Dongguan (Guangdong) Certification Co., Ltd.  
Room 210-211, Building 1 of Commercial Office Building, Phase 1, Nansha Market Center, No. 2, Heping 1st  
Street, Nansha District, Guangzhou City, Guangdong Province, P.R. China  
TEL: 0086-20-87497173

Check the validity of this certificate on the official website of Certification and Accreditation Administrations of  
People's Republic of China: www.cnca.gov.cn or www.dzcc.com.cn

**qna**

This is to certify that the Quality Management System of  
**Pinggood Enterprise Co., Ltd.**  
Unified Social Credit Code: 9120190727148571  
Operative Address: No. 296, Taichang Road, Hangzhou Street, Wusheng District, Suzhou City,  
Jiangsu Province, China  
Registered Address: No. 296, Taichang Road, Hangzhou Street, Wusheng District, Suzhou  
City, Jiangsu Province, China

applicable to  
Processing of plastic electronic parts

has been assessed and registered by NQA against the provisions of  
**ISO 9001:2015**

This registration is subject to the company maintaining an quality management system, to the  
above standard, which will be monitored by NQA.  
Certified Clients shall accept regular surveillance assessments, the validity of certificates shall be  
maintained for the positive quality of audit.  
The information of this certificate can be checked on CNCA's website (www.cnca.gov.cn)  
SNQA's website: www.snqa.com.cn

Managing Director:

Certificate Number: 14876

Date: 23 March 2011  
Renewal Date: 18 April 2021  
Valid Until: 18 April 2024  
EAC Code: 14

Certificate TAO119080

The registered name of  
**PINGOOD ENTERPRISE  
CO., LTD.**  
No. 8, Dongguan Rd., Zhong District,  
Taoyuan City, 330, Taiwan.

has been assessed and certified as meeting the requirements of  
**ISO 14001:2015**

For the following activities:  
MANUFACTURE OF ENGINEERING PLASTIC INJECTION & METAL  
FASTENER ASSEMBLY.

This certificate is valid from 04 August 2021 until 04 August 2024 and  
remains valid subject to satisfactory surveillance audits.  
Recertification audit due in minimum of 90 days before the expiration date.  
Issue 4. Certified since 19 August 2020.

Authorized by:

100 ISO 14001:2015  
Pingood Enterprise Co., Ltd. (Taiwan) - 0482-363-141  
1 company address, 1 certified location (organization)

SGS IAF UKAS

**CERTIFICATE**

Hereby Grants To:

**PingGood Enterprise (DongGuan) Co., Ltd.**  
Organization Credit Code: 9144190270407003N  
Registered Address: Room 701, No. 8 Building, No. 3, Guofeng Road, Tangde Town,  
Dongguan City, Guangdong Province, P.R. China  
Business Address: Room 701, No. 8 Building, No. 3, Guofeng Road, Tangde Town, Dongguan  
City, Guangdong Province, P.R. China

Has been assessed and found to be in accordance with the requirements of standard  
defined below  
**GB/T 24001-2016/ISO 14001-2015**

Scope  
**The Manufacture of Plastic Fittings for Electronic and Computer  
Equipment and Management of Related Environmental Aspects.**  
IAF Code: 14

Certificate No.: DZCC/D20080462  
Certificate Issue Date: 2023-11-07  
Registration Expiration Date: 2026-11-10

The certified organization must pass surveillance audit to ensure the validity of the certificate.

Authorized by:

MSCB-235

Dongguan (Guangdong) Certification Co., Ltd.  
Room 210-211, Building 1 of Commercial Office Building, Phase 1, Nansha Market Center, No. 2, Heping 1st  
Street, Nansha District, Guangzhou City, Guangdong Province, P.R. China  
TEL: 0086-20-87497173

Check the validity of this certificate on the official website of Certification and Accreditation Administrations of  
People's Republic of China: www.cnca.gov.cn or www.dzcc.com.cn

**qna**

This is to certify that the Environmental Management System of  
**Pinggood Enterprise Co., Ltd.**  
Unified Social Credit Code: 9120190727148571  
Operative Address: No. 296, Taichang Road, Hangzhou Street, Wusheng District, Suzhou City,  
Jiangsu Province, China  
Registered Address: No. 296, Taichang Road, Hangzhou Street, Wusheng District, Suzhou  
City, Jiangsu Province, China

applicable to  
Processing of plastic electronic parts

has been assessed and registered by NQA against the provisions of  
**ISO 14001:2015**

This registration is subject to the company maintaining an environmental management system, to the  
above standard, which will be monitored by NQA.  
Certified Clients shall accept regular surveillance assessments, the validity of certificates shall be  
maintained for the positive quality of audit.  
The information of this certificate can be checked on CNCA's website (www.cnca.gov.cn)  
SNQA's website: www.snqa.com.cn

Managing Director:

Certificate Number: E3843

Date: 23 March 2011  
Renewal Date: 18 April 2021  
Valid Until: 18 April 2024  
EAC Code: 14

Certificate MIT 041662  
Certificate SGS 960210002

The registered name of  
**PINGOOD ENTERPRISE CO., LTD.**  
No. 8, Dongguan Rd., Zhong District,  
Taoyuan City, 330, Taiwan.

has been assessed and certified as meeting the requirements of  
**IATF 16949:2016**

For the following activities:  
DESIGN AND MANUFACTURE OF ENGINEERING PLASTIC INJECTION &  
METAL FASTENER ASSEMBLY.

3 Year certificate is valid from 23 August 2021 until 24 August 2024 and  
remains valid subject to satisfactory surveillance audits.  
Renewal audit due in minimum of 90 days before the expiration date.  
Issue 4.1. Certified since 20 August 2021.

Authorized by:

100 IATF 16949:2016  
Pingood Enterprise Co., Ltd. (Taiwan) - 0482-363-141  
1 company address, 1 certified location (organization)

SGS IATF

**IEC** **IECQ**

**IEC QUALITY ASSESSMENT SYSTEM (IECQS)**  
Covering Electronic Components,  
Assemblies, Related Materials and Processes  
For use on non-automotive manufacturing

**IECQ Certificate of Conformity  
Hazardous Substance Process Management**

IECQ Certificate No.: IECQ-H-AR05 22-0919 Issue No.: 1 Status: Current  
Supersedes: Issue Date: 2023/12/12 Exp. Issue: 2027/12/12  
CB Reference No.: AR05CH220004045PM Expiration: 2025/12/31

Applicable to:

- European Directive 2011/65/EU (RoHS) - Restriction of the use of certain Hazardous Substances in electrical and electronic equipment, including all published amendments

**PingGood Enterprise (DongGuan) Co., Ltd.**  
China  
No. 088, Pingde Industrial District, Tangde Town, Dongguan City, Guangdong Province, P.R. China

The organization has developed and implemented Hazardous Substance Process Management procedures and related processes which have been assessed and found to comply with the applicable requirements for IECQ IECQS organization approval which is in accordance with the IECQ Rules IECQ 01 and Rules of Procedure IECQ 05 - "IECQ Hazardous Substances Process Management" of the IEC Quality Assessment System for Electronic Components (IECQS), and will remain in the IECQ Specification.

**IECQ QC 00000-2017 - Hazardous Substance Process Management System Requirements**

This Certificate is applicable to all electronic components, assemblies, related materials and processes for the following scope of activities:  
**The Manufacture of Plastic Fittings for Electronic and Computer Equipment**

Authorized person:  
**CHEN Chen-Cheng**

Authorized by:

AR05

**IEC** **IECQ**

**IEC QUALITY ASSESSMENT SYSTEM (IECQS)**  
Covering Electronic Components,  
Assemblies, Related Materials and Processes  
For use on non-automotive manufacturing

**IECQ Certificate of Conformity  
Hazardous Substance Process Management**

IECQ Certificate No.: IECQ-H-AR05 22-0919 Issue No.: 1 Status: Current  
Supersedes: Issue Date: 2023/12/12 Exp. Issue: 2027/12/12  
CB Reference No.: AR05CH220004045PM Expiration: 2025/12/31

Applicable to:

- European Directive 2011/65/EU (RoHS) - Restriction of the use of certain Hazardous Substances in electrical and electronic equipment, including all published amendments
- Customer specified requirements

**PingGood Enterprise Co., Ltd.**  
China  
No. 088, Pingde Industrial District, Tangde Town, Dongguan City, Guangdong Province, P.R. China

The organization has developed and implemented Hazardous Substance Process Management procedures and related processes which have been assessed and found to comply with the applicable requirements for IECQ IECQS organization approval which is in accordance with the IECQ Rules IECQ 01 and Rules of Procedure IECQ 05 - "IECQ Hazardous Substances Process Management" of the IEC Quality Assessment System for Electronic Components (IECQS), and will remain in the IECQ Specification.

**IECQ QC 00000-2017 - Hazardous Substance Process Management System Requirements**

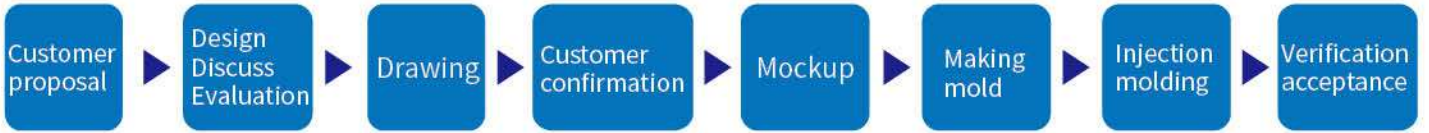
This Certificate is applicable to all electronic components, assemblies, related materials and processes for the following scope of activities:  
**Processing of plastic electronic parts**

Authorized person:  
**YANG Huijun**

Authorized by:

AR05

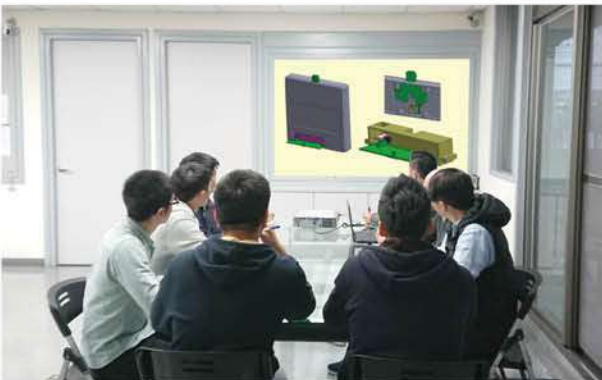
# 產品開發 Product Development



Sales and Marketing Division



Sales and Marketing Division



R&D Division



R&D Division



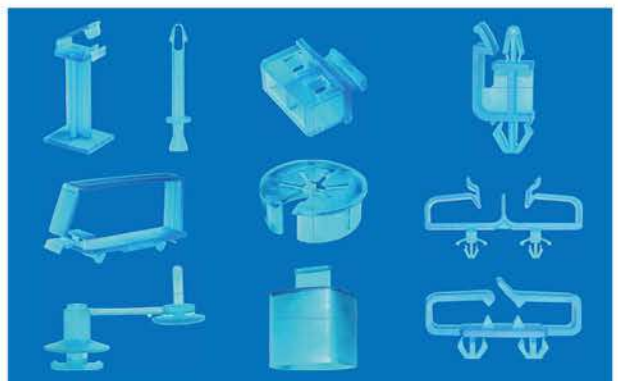
3D Printer



3D Printer



3D Printer Sample



3D Printer Sample



# 模具部 Molding Division



CNC Machining



FANUC CNC Machining



CNC Electric Discharge



Sodick CNC Electric Discharge Machine



Seibu Slow Wire Cutting Machine



Seibu Slow Wire Cutting Machine



Metal Cutting Machine



Mold Inspection Room

# 成型部 Injection Division



Injection Division



Japan TOYO Fully Electric Injection Molding Machine



Japan TOYO Fully Electric Injection Molding Machine



Japan TOYO Fully Electric Injection Molding Machine



Japan TOYO Fully Electric Injection Molding Machine



Vertical Injection Molding Machine



Robotic Arm for Injection Molding Machine



Robotic Arm for Injection Molding Machine

實驗室儀器 Laboratory Equipment



Destructive Test Equipment



Flame Test Equipment



Colorimeter



Programmable Temperature and Humidity Chamber



Image Dimension Measurement System



2.5D Non-Contact Video Measuring System



Tensile Test Equipment



Digimatic Height Gage



Melt Flow Indexer



Rockwell Type Hardness Equipment

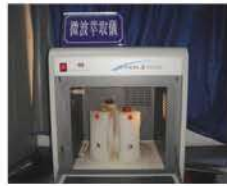
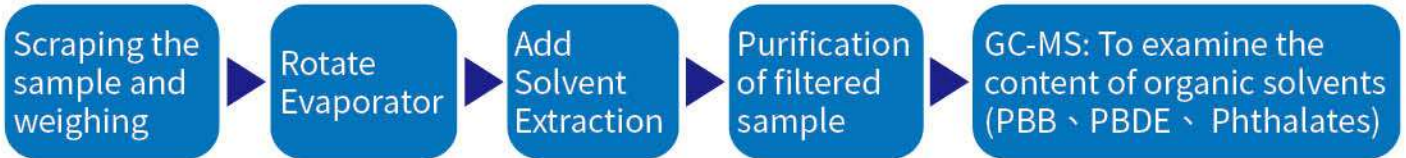


Constant Speed and Force Equipment

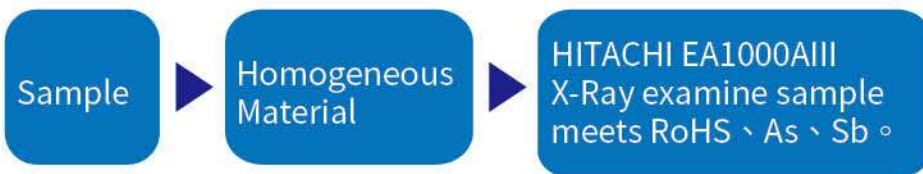


Micro-vu 3D Measuring System

## RoHS laboratory (GC-MS) Analysis Process

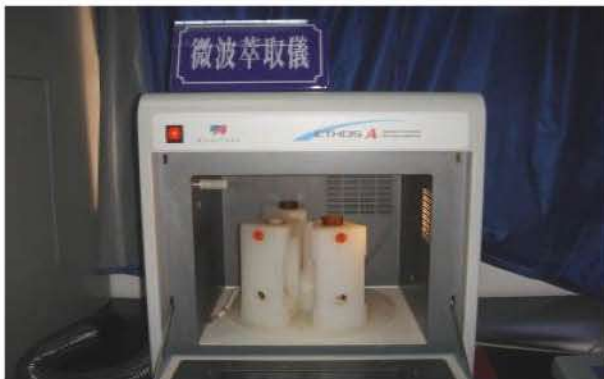


## RoHS laboratory (X-Ray) Inspection Process



In order to fulfill the responsibility for environmental protection, the environmental friendly substances are tested and checked.

The HITACHI EA1000A III X-ray Fluorescence Analyzer: Meet the EU RoHS Directive and the rapid detection and analysis of hazardous substances in electrical and electronic product, e.g.: Cd、Pb、Hg、Cr、Br、As、Sb, etc. Complying with Halogen free requirement, we use XRF (X-ray Fluorescence Spectrometer) to analysis the content to meet customer requirement. GC-MS (Gas chromatography-mass spectrometry) for the detection of PBB, PBDE, Phthalates in organic solvents.



Microwave Extracted Device



Microwave Extracted Device



HITACHI EA1000A III X-ray Fluorescence Analyzer



GC-MS (Gas chromatography-mass spectrometry)

# 檢查包裝 Check Packaging



Production Assembly Processing



Production Assembly Processing



Verification Products



Automatic Packaging Machine



Mold Storage Room



Custom-Made Products



Custom-Made Products



Custom-Made Products

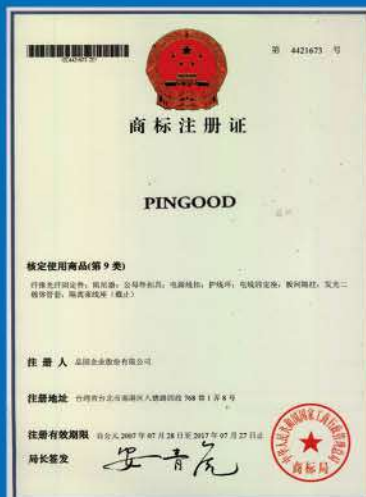
# 客戶對我們的肯定與鼓勵

## Appreciation and Encouragement from Customers



### 專利

#### Patent



\* 以上已完成商標註冊續展證明

PINGOOD

1-2



1-3



1-4



1-5



1-6



1-7



1-8



1-9



1-10



1-11



1-12



1-13



1-14



1-15



1-16



1-17



1-18



1-19



1-20



1-21



1-22



1-23



1-24



1-25



1-26



1-27



1-28



1-29



PINGOOD

1-30



1-31



1-32



1-33



1-34



1-35



1-36



1-37



1-38



1-39



1-40



1-41



1-42



1-43



1-44



1-45



1-46



1-47



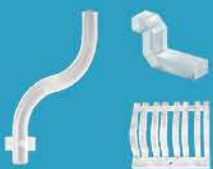
1-48



1-49



1-50



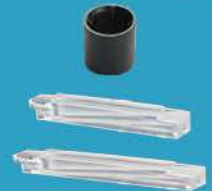
1-51



1-52



1-53



1-54



1-55



熱情服務，轉變觀念  
增強知識，迎接挑戰



PINGOOD


















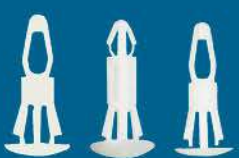
# 線扣 護線環 塞環 BUSHING, SNAP BUSHING

## PINGOOD

|   |   |  |   |
|---|---|--|---|
| <p>2-30</p>  | <p>2-31</p>  | <p>2-32</p>  | <p>2-33</p>  |
| <p>2-34</p>  | <p>2-35</p>  | <p>2-36</p>  | <p>響應環保<br/>減碳計畫</p>  |

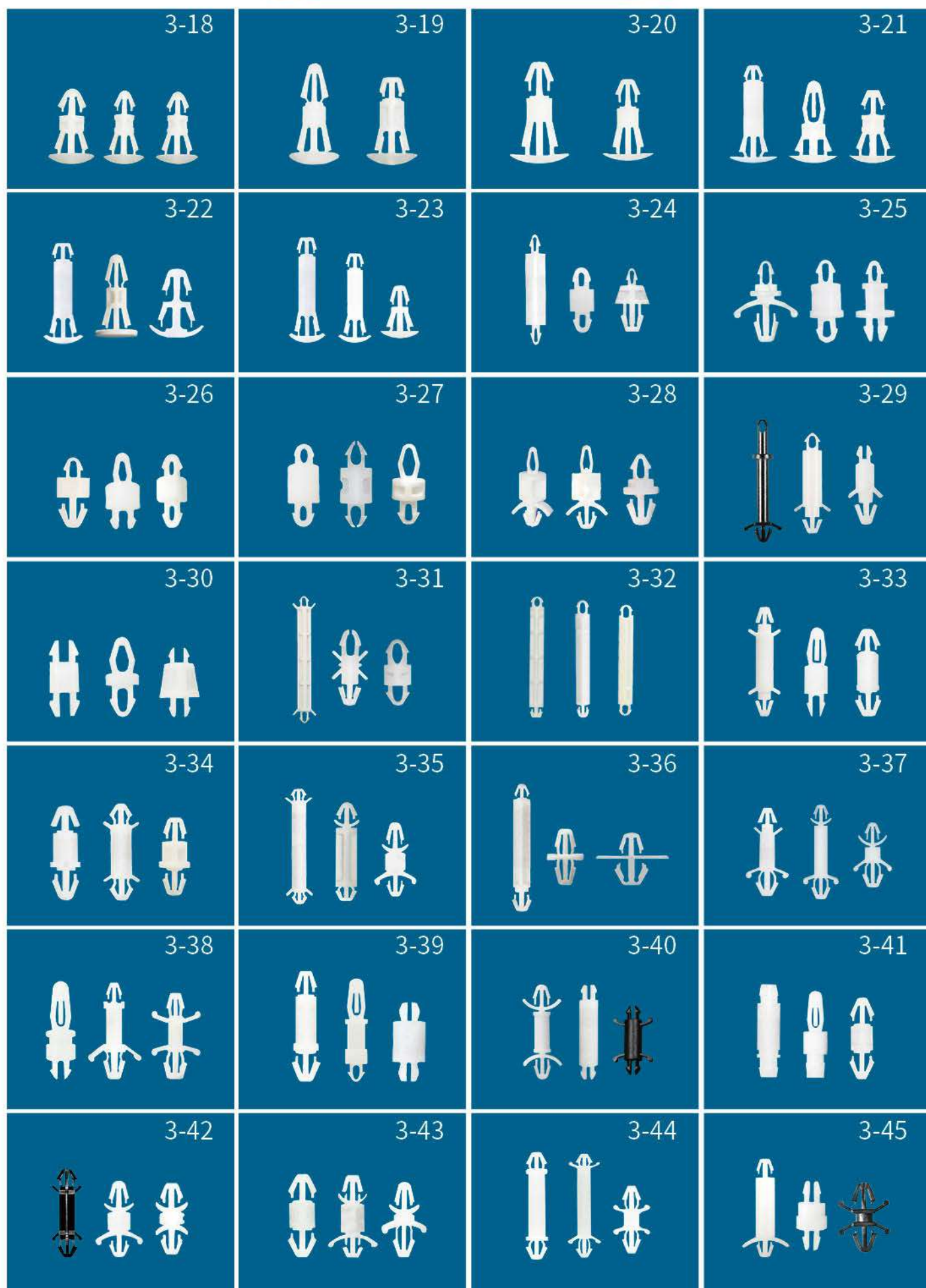
# P.C. 板間隔柱 SPACER SUPPORT

## PINGOOD

|   |   |  |   |
|---|---|--|---|
| <p>3-2</p>   | <p>3-3</p>   | <p>3-4</p>   | <p>3-5</p>   |
| <p>3-6</p>   | <p>3-7</p>   | <p>3-8</p>   | <p>3-9</p>   |
| <p>3-10</p>  | <p>3-11</p>  | <p>3-12</p>  | <p>3-13</p>  |
| <p>3-14</p>  | <p>3-15</p>  | <p>3-16</p>  | <p>3-17</p>  |

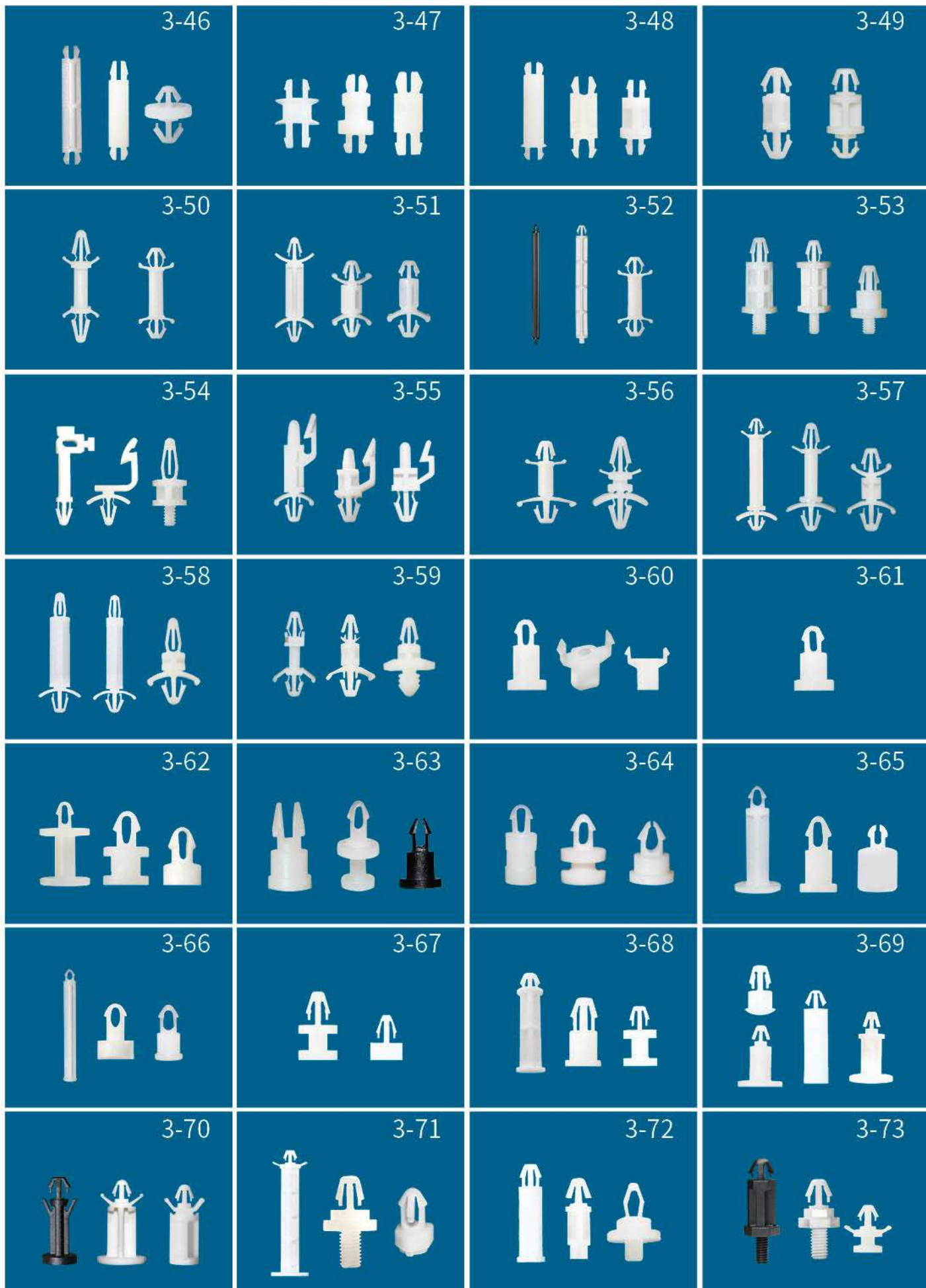
# P.C. 板間隔柱 SPACER SUPPORT

## PINGOOD

















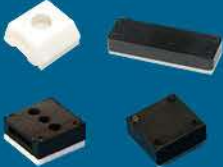
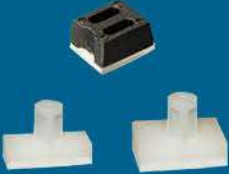

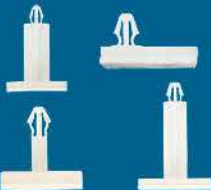










# P.C. 板間隔柱 SPACER SUPPORT

## PINGOOD



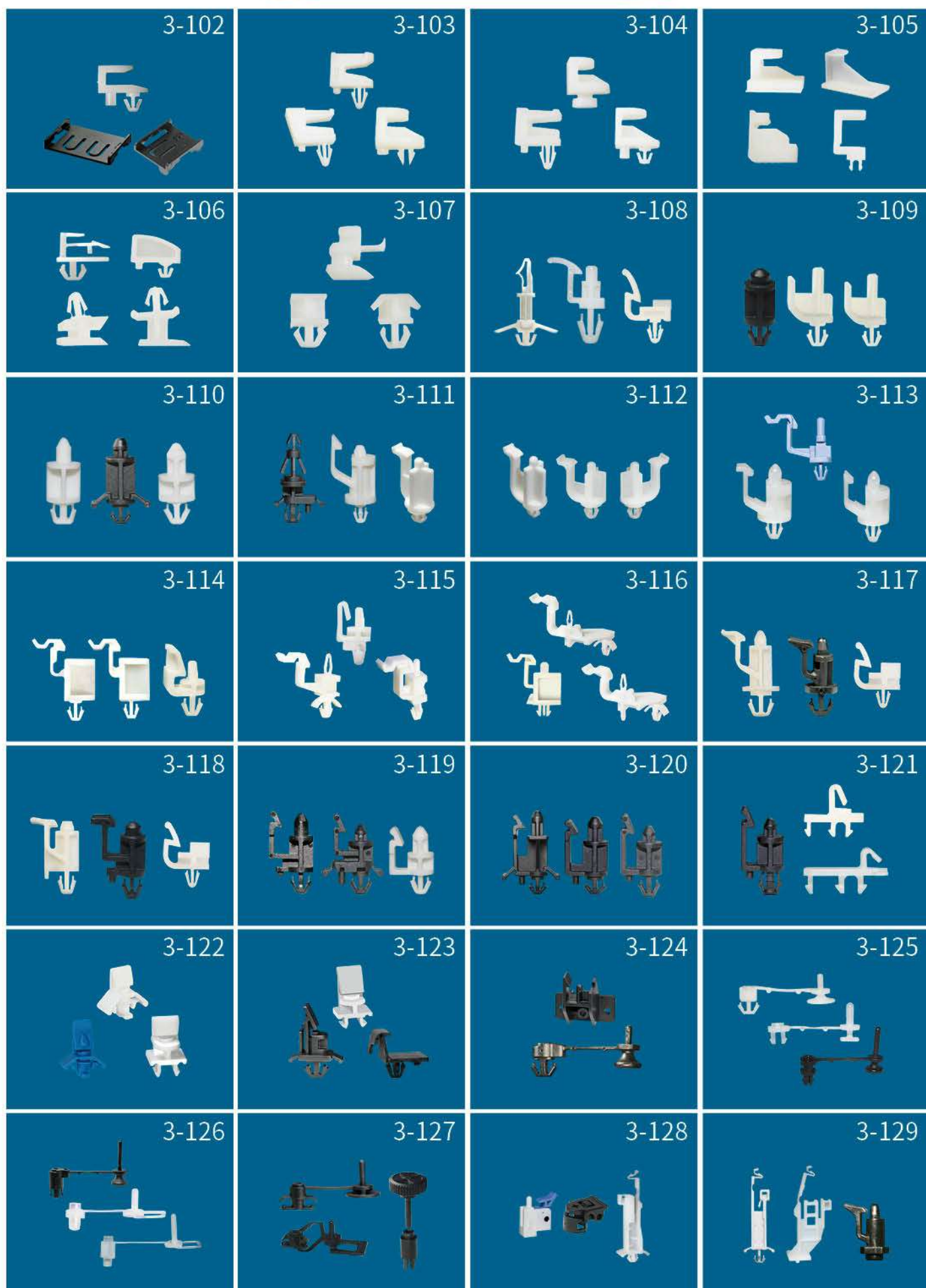
# P.C. 板間隔柱 SPACER SUPPORT

## PINGOOD

|   |   |   |  |
|---|---|---|--|
| <p>3-74</p>    | <p>3-75</p>    | <p>3-76</p>     | <p>3-77</p>     |
| <p>3-78</p>    | <p>3-79</p>    | <p>3-80</p>     | <p>3-81</p>     |
| <p>3-82</p>    | <p>3-83</p>    | <p>3-84</p>     | <p>3-85</p>     |
| <p>3-86</p>  | <p>3-87</p>  | <p>3-88</p>   | <p>3-89</p>   |
| <p>3-90</p>  | <p>3-91</p>  | <p>3-92</p>   | <p>3-93</p>   |
| <p>3-94</p>  | <p>3-95</p>  | <p>3-96</p>   | <p>3-97</p>   |
| <p>3-98</p>  | <p>3-99</p>  | <p>3-100</p>  | <p>3-101</p>  |

# P.C. 板間隔柱 SPACER SUPPORT

## PINGOOD



# P.C. 板間隔柱 SPACER SUPPORT

## PINGOOD

3-130



3-131



3-132



3-133



3-134



3-135



3-136



3-137



3-138



3-139



3-140



3-141



3-142



3-143



3-144



3-145



3-146



3-147



3-148



3-149



3-150



3-151



3-152



3-153



3-154



3-155



3-156

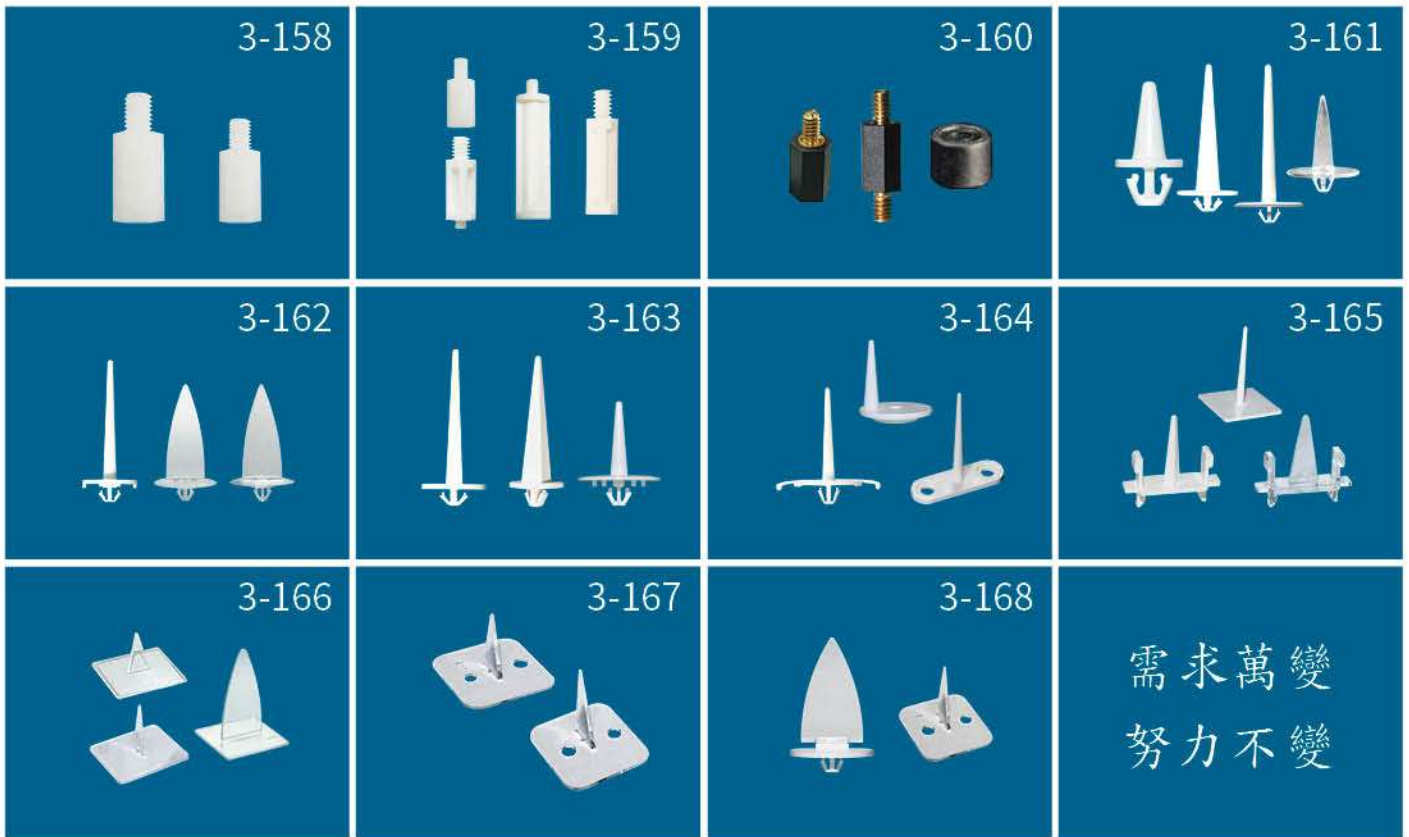


3-157



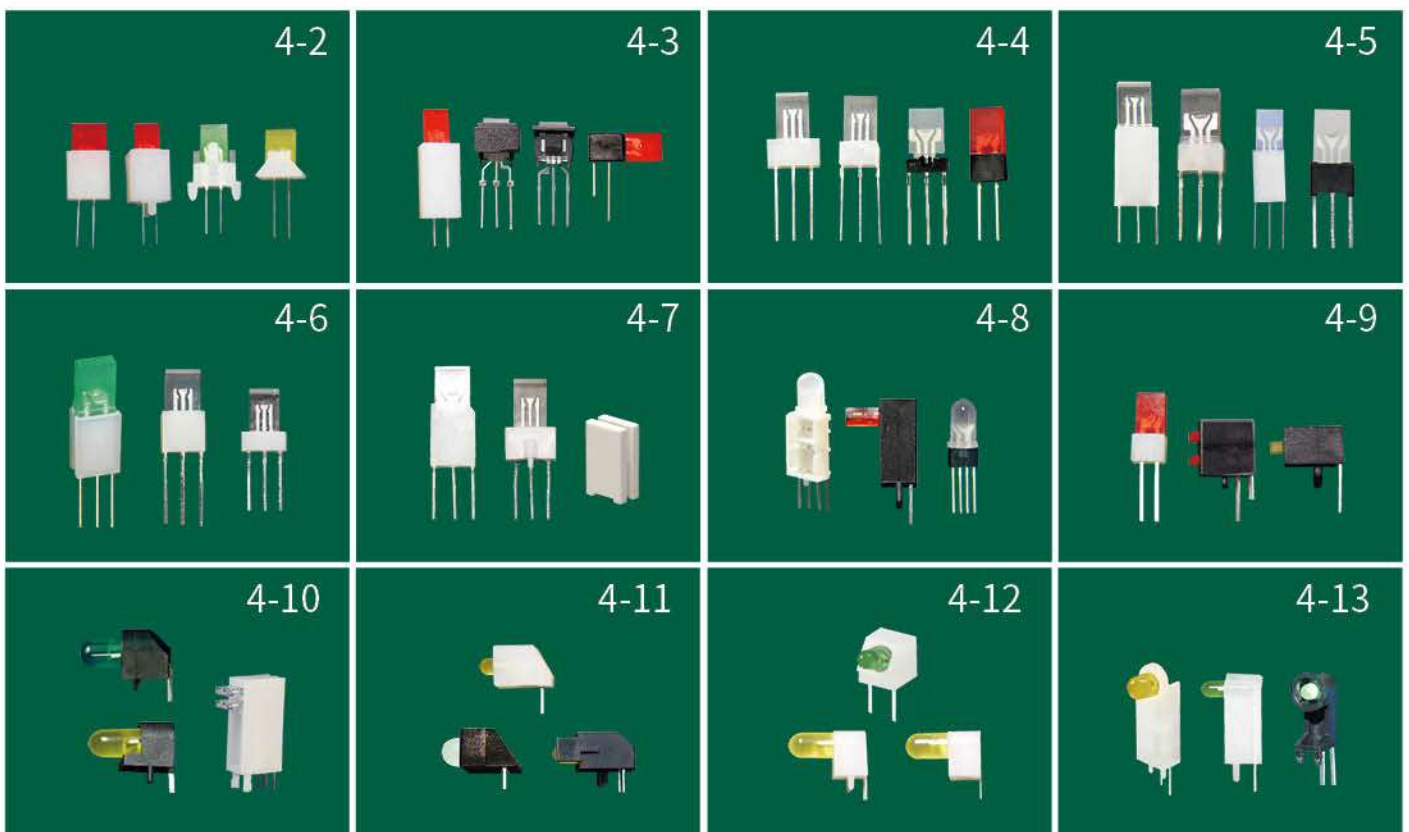
# P.C. 板間隔柱 SPACER SUPPORT

## PINGOOD



# LED 套 LED 座 LED HOLDER, LED HOUSING

## PINGOOD

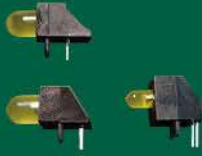




# LED 套 LED 座 LED HOLDER, LED HOUSING

## PINGOOD

4-14



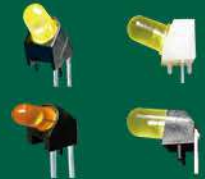
4-15



4-16



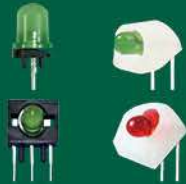
4-17



4-18



4-19



4-20



4-21



4-22



4-23



4-24



4-25



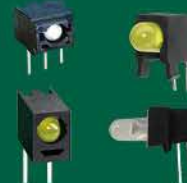
4-26



4-27



4-28



4-29



4-30



4-31



4-32



4-33



4-34



4-35



4-36



4-37



4-38



4-39



4-40



4-41



# LED 套 LED 座 LED HOLDER, LED HOUSING

PINGOOD

4-42



4-43



4-44



4-45



4-46



4-47



4-48



4-49



4-50



4-51



4-52



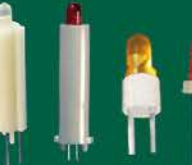
4-53



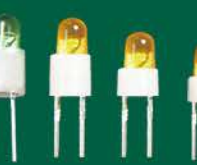
4-54



4-55



4-56



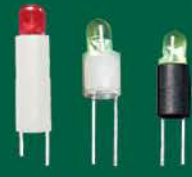
4-57



4-58



4-59



4-60



4-61



4-62



4-63



4-64



4-65



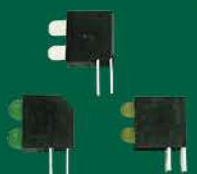
4-66



4-67



4-68

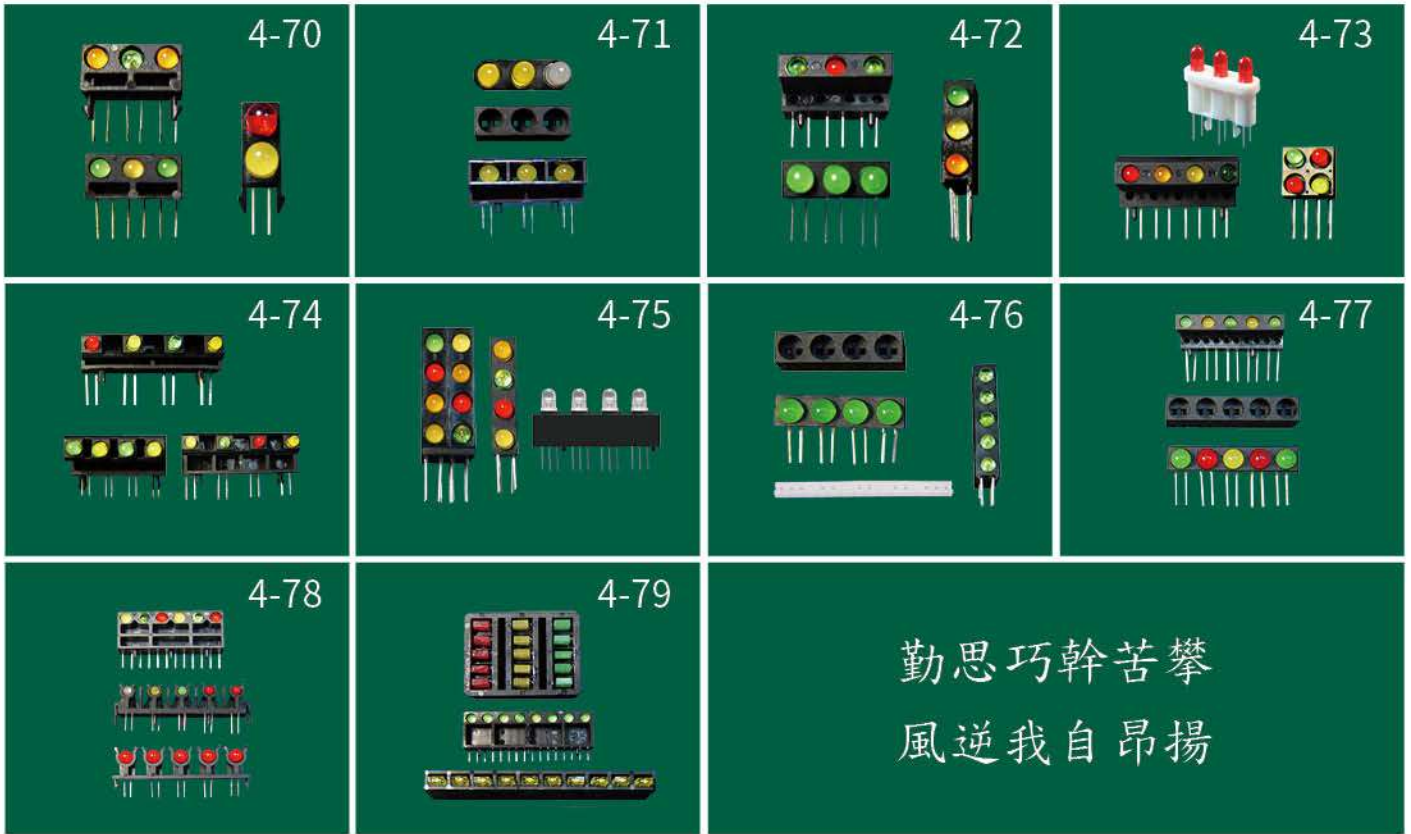


4-69



# LED 套 LED 座 LED HOLDER, LED HOUSING

## PINGOOD



# 鉚釘 螺絲 螺帽 扣具 PLASTIC FASTENER

## PINGOOD



5-14



5-15



5-16



5-17



5-18



5-19



5-20



5-21



5-22



5-23



5-24



5-25



5-26



5-27



5-28



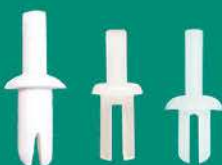
5-29



5-30



5-31



5-32



5-33



5-34



5-35



5-36



5-37



5-38



5-39



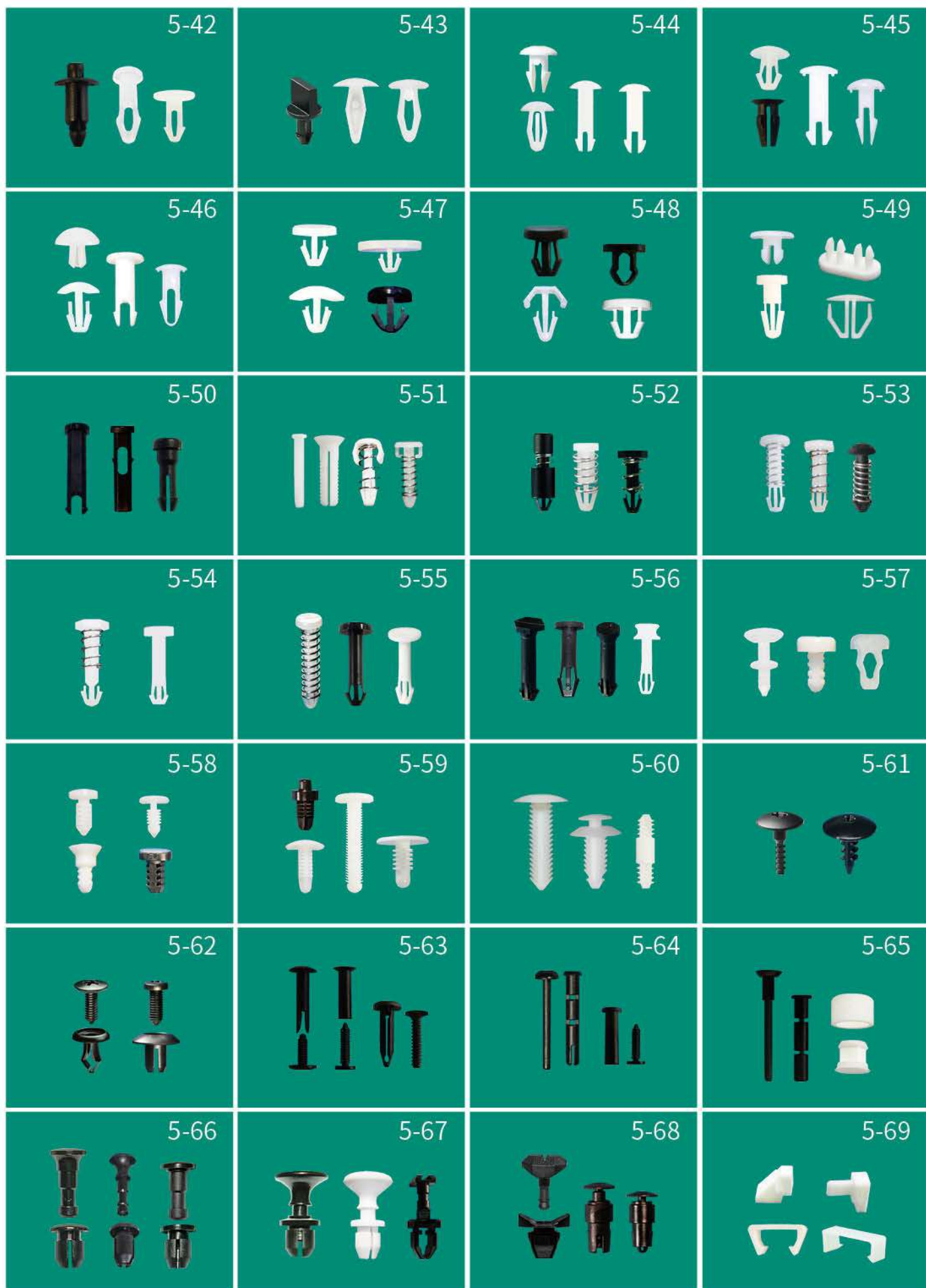
5-40



5-41



PINGOOD



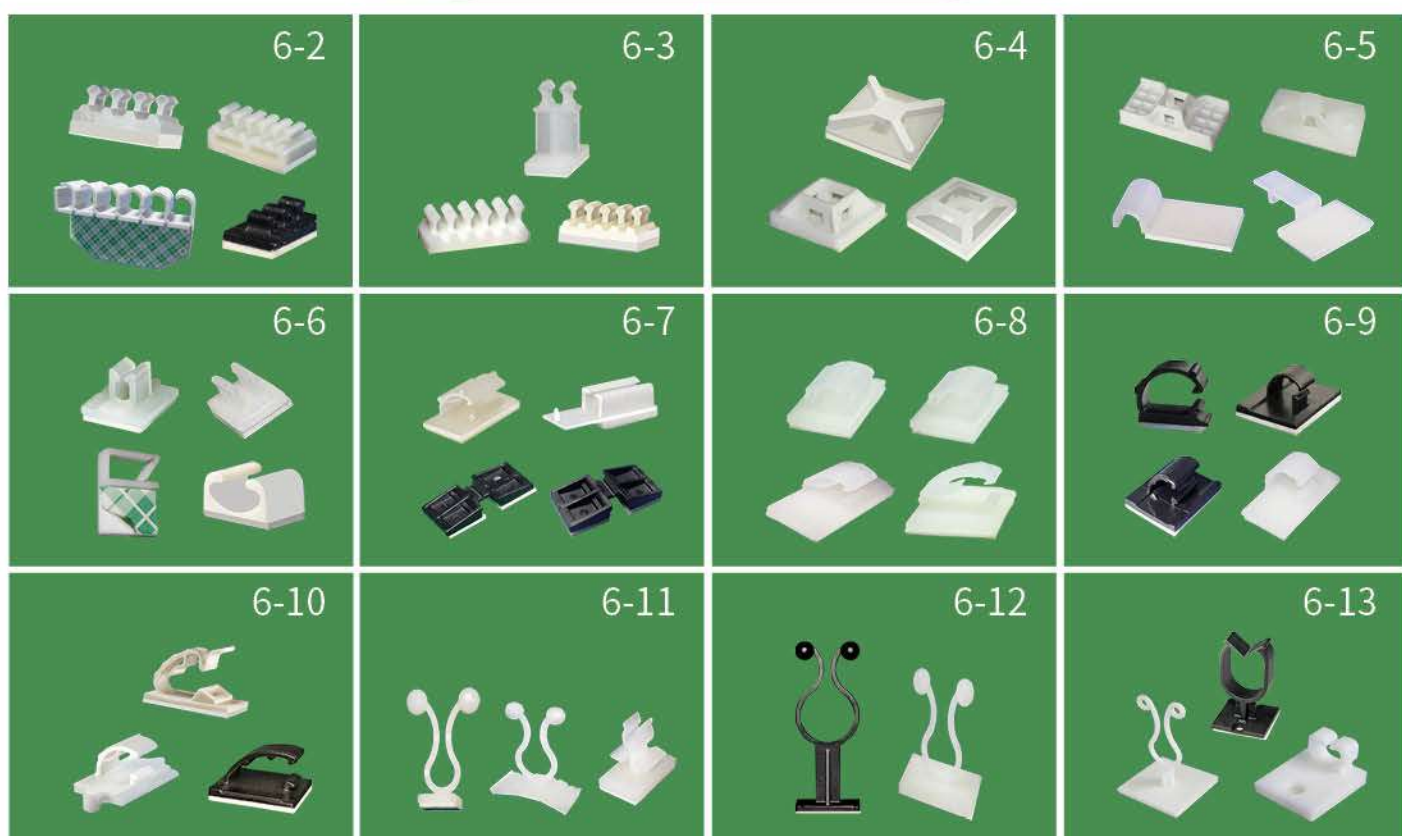
# 鉚釘 螺絲 螺帽 扣具 PLASTIC FASTENER

## PINGOOD



# 線材固定 線材隔離 CABLE CLAMP, SADDLE

## PINGOOD




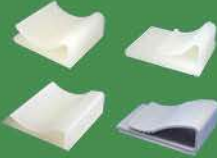










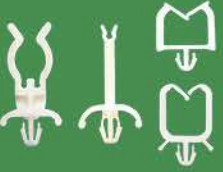















線材固定 線材隔離 CABLE CLAMP, SADDLE

PINGOOD



線材固定 線材隔離 CABLE CLAMP, SADDLE





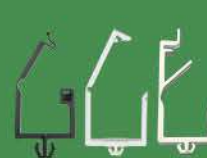
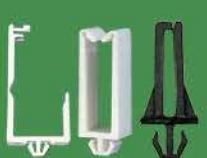











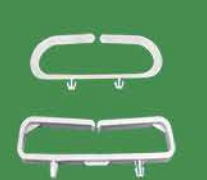


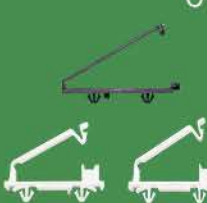







PINGOOD

|   |   |  |   |
|---|---|--|---|
| <p>6-42</p>    | <p>6-43</p>    | <p>6-44</p>    | <p>6-45</p>    |
| <p>6-46</p>    | <p>6-47</p>    | <p>6-48</p>    | <p>6-49</p>    |
| <p>6-50</p>    | <p>6-51</p>    | <p>6-52</p>    | <p>6-53</p>    |
| <p>6-54</p>  | <p>6-55</p>  | <p>6-56</p>  | <p>6-57</p>  |
| <p>6-58</p>  | <p>6-59</p>  | <p>6-60</p>  | <p>6-61</p>  |
| <p>6-62</p>  | <p>6-63</p>  | <p>6-64</p>  | <p>6-65</p>  |
| <p>6-66</p>  | <p>6-67</p>  | <p>6-68</p>  | <p>6-69</p>  |






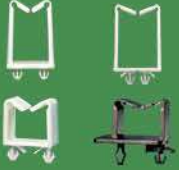
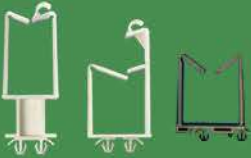

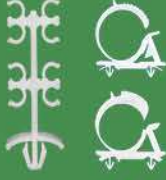


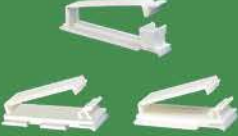









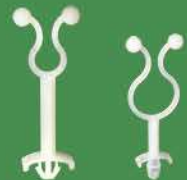

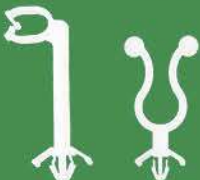

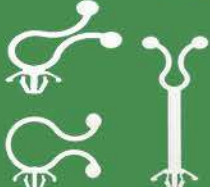
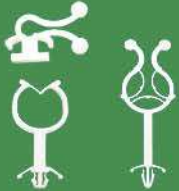



線材固定 線材隔離 CABLE CLAMP, SADDLE

PINGOOD

|   |   |  |   |
|---|---|--|---|
| <p>6-70</p>    | <p>6-71</p>    | <p>6-72</p>    | <p>6-73</p>    |
| <p>6-74</p>    | <p>6-75</p>    | <p>6-76</p>    | <p>6-77</p>    |
| <p>6-78</p>    | <p>6-79</p>    | <p>6-80</p>    | <p>6-81</p>    |
| <p>6-82</p>  | <p>6-83</p>  | <p>6-84</p>  | <p>6-85</p>  |
| <p>6-86</p>  | <p>6-87</p>  | <p>6-88</p>  | <p>6-89</p>  |
| <p>6-90</p>  | <p>6-91</p>  | <p>6-92</p>  | <p>6-93</p>  |
| <p>6-94</p>  | <p>6-95</p>  | <p>6-96</p>  | <p>6-97</p>  |







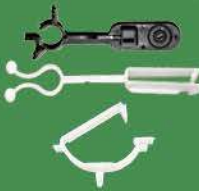




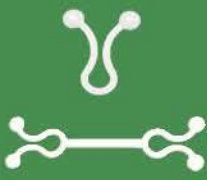














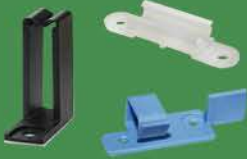

# 線材固定 線材隔離 CABLE CLAMP, SADDLE

## PINGOOD

|  |  |   |  |
|--|--|---|--|
| <p>6-98</p>     | <p>6-99</p>     | <p>6-100</p>    | <p>6-101</p>    |
| <p>6-102</p>    | <p>6-103</p>    | <p>6-104</p>    | <p>6-105</p>    |
| <p>6-106</p>    | <p>6-107</p>    | <p>6-108</p>    | <p>6-109</p>    |
| <p>6-110</p>  | <p>6-111</p>  | <p>6-112</p>  | <p>6-113</p>  |
| <p>6-114</p>  | <p>6-115</p>  | <p>6-116</p>  | <p>6-117</p>  |
| <p>6-118</p>  | <p>6-119</p>  | <p>6-120</p>  | <p>6-121</p>  |
| <p>6-122</p>  | <p>6-123</p>  | <p>6-124</p>  | <p>6-125</p>  |

線材固定 線材隔離 CABLE CLAMP, SADDLE

PINGOOD

|  |  |   |  |
|--|--|---|--|
| <p>6-126</p>    | <p>6-127</p>    | <p>6-128</p>    | <p>6-129</p>    |
| <p>6-130</p>    | <p>6-131</p>    | <p>6-132</p>    | <p>6-133</p>    |
| <p>6-134</p>    | <p>6-135</p>    | <p>6-136</p>    | <p>6-137</p>    |
| <p>6-138</p>  | <p>6-139</p>  | <p>6-140</p>  | <p>6-141</p>  |
| <p>6-142</p>  | <p>6-143</p>  | <p>6-144</p>  | <p>6-145</p>  |
| <p>6-146</p>  | <p>6-147</p>  | <p>6-148</p>  | <p>6-149</p>  |
| <p>6-150</p>  | <p>6-151</p>  | <p>6-152</p>  | <p>6-153</p>  |

# 線材固定 線材隔離 CABLE CLAMP, SADDLE

## PINGOOD

|  |  |   |  |
|--|--|---|--|
| <p>6-154</p>    | <p>6-155</p>    | <p>6-156</p>    | <p>6-157</p>    |
| <p>6-158</p>    | <p>6-159</p>    | <p>6-160</p>    | <p>6-161</p>    |
| <p>6-162</p>    | <p>6-163</p>    | <p>6-164</p>    | <p>6-165</p>    |
| <p>6-166</p>  | <p>6-167</p>  | <p>6-168</p>  | <p>6-169</p>  |
| <p>6-170</p>  | <p>6-171</p>  | <p>6-172</p>  | <p>求實創新<br/>用心服務</p>   |

# EMI 扣 SLEEVE FERRITE CLAMP

## PINGOOD

|  |  |   |  |
|--|--|---|--|
| <p>7-2</p>  | <p>7-2</p>  | <p>7-2</p>  | <p>7-3</p>  |
|--|--|---|--|

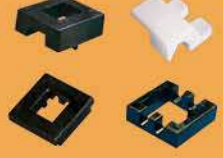


PINGOOD



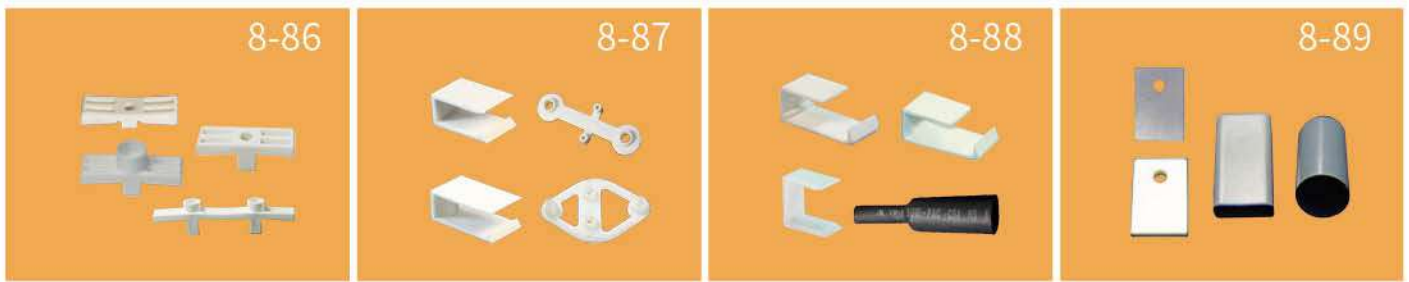
PINGOOD



PINGOOD

|   |   |  |   |
|---|---|--|---|
| <p>8-58</p>    | <p>8-59</p>    | <p>8-60</p>    | <p>8-61</p>    |
| <p>8-62</p>    | <p>8-63</p>    | <p>8-64</p>    | <p>8-65</p>    |
| <p>8-66</p>    | <p>8-67</p>    | <p>8-68</p>    | <p>8-69</p>   |
| <p>8-70</p>  | <p>8-71</p>  | <p>8-72</p>  | <p>8-73</p>  |
| <p>8-74</p>  | <p>8-75</p>  | <p>8-76</p>  | <p>8-77</p>  |
| <p>8-78</p>  | <p>8-79</p>  | <p>8-80</p>  | <p>8-81</p>  |
| <p>8-82</p>  | <p>8-83</p>  | <p>8-84</p>  | <p>8-85</p>  |

PINGOOD



腳墊 燙金腳墊 墊座 PLASTIC RUBBER FOOT

PINGOOD



企業的成功來自於每一位員工的付出  
信譽為本、服務是根、扶掖人才、敬業榮群



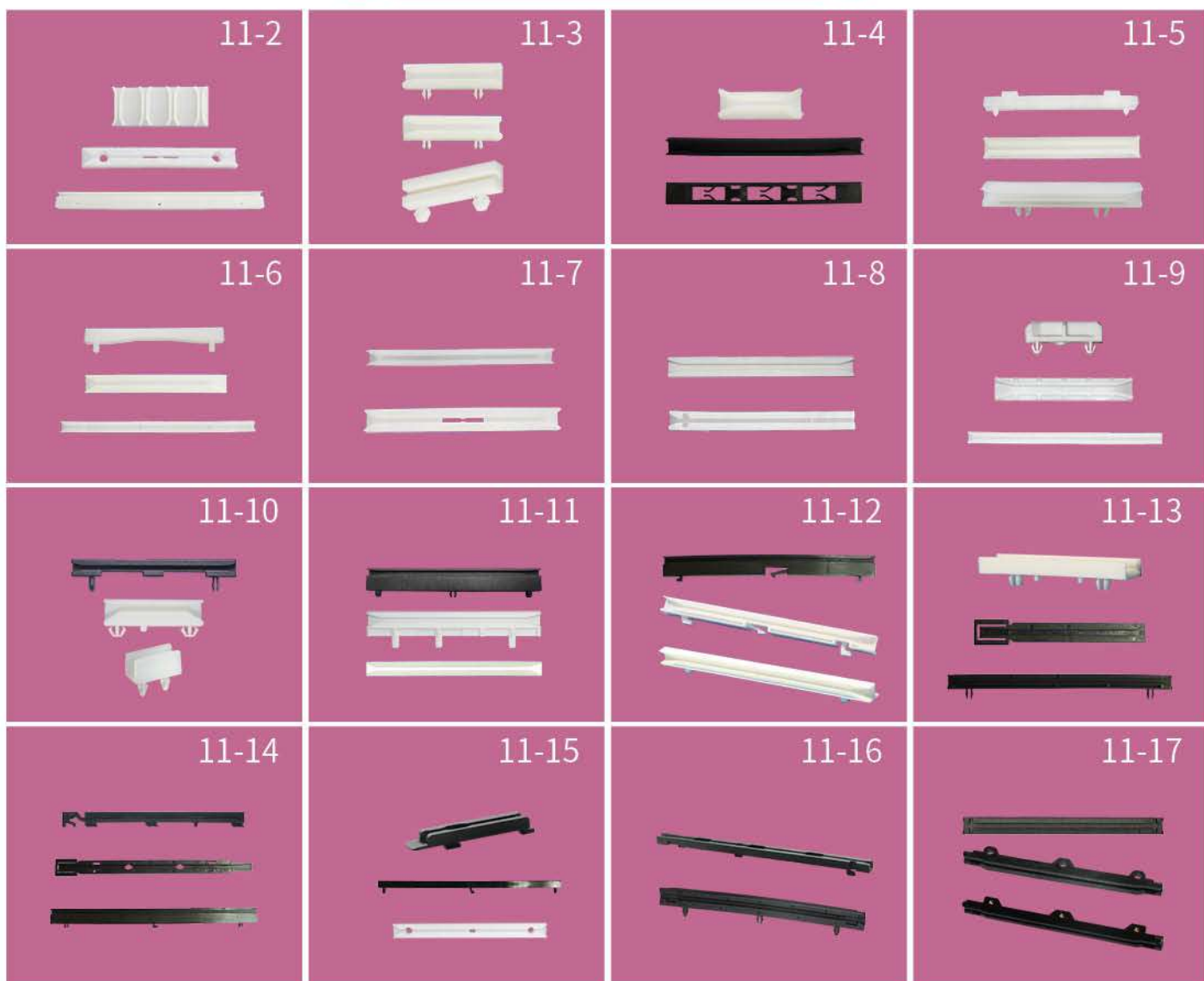
# 拉柄 CIRCUIT BOARD EJECTOR

## PINGOOD



# 導槽 P.C.B GUIDE RAIL

## PINGOOD



# 導槽 P.C.B GUIDE RAIL

## PINGOOD

11-18



11-19



11-20



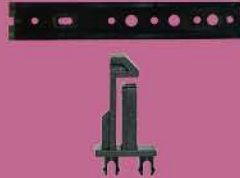
11-21



11-22



11-23



用心創新，競爭發展  
培育員工，創造團隊

# 束線帶 CABLE TIES

## PINGOOD

12-2



12-3



12-4



12-5



12-6



12-7



12-8



12-9



12-10



12-11



12-12



12-13



12-14



12-15



12-16



12-17



# 束線帶 CABLE TIES

## PINGOOD

|  |  |   |  |
|--|--|---|--|
| <p>12-18</p>  | <p>12-19</p>  | <p>12-20</p>  | <p>12-21</p>  |
| <p>12-22</p>  | <p>12-23</p>  | <p>12-24</p>  | <p>12-25</p>  |
| <p>12-26</p>  | <p>12-27</p>  | <p>與客戶共同開發<br/>共創價值與利潤</p>  |  |

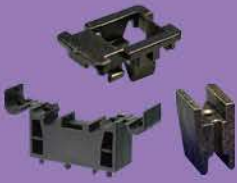
# 其他塑膠製品 HANDLE, HOUSING, COVER

## PINGOOD

|  |  |   |  |
|--|--|---|--|
| <p>13-2</p>   | <p>13-3</p>   | <p>13-4</p>   | <p>13-5</p>   |
| <p>13-6</p>   | <p>13-7</p>   | <p>13-8</p>   | <p>13-9</p>   |
| <p>13-10</p>  | <p>13-11</p>  | <p>13-12</p>  | <p>13-13</p>  |

PINGOOD

13-14



13-15



13-16



13-17



13-18



13-19



13-20



13-21



13-22



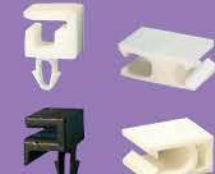
13-23



13-24



13-25



13-26



13-27



13-28



13-29



13-30



13-31



13-32



13-33



13-34



13-35



13-36



13-37



其他塑膠製品 HANDLE, HOUSING, COVER

PINGOOD

13-38



13-39



13-40



13-41



13-42



13-43



13-44



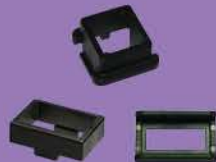
13-45



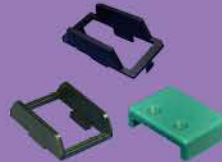
13-46



13-47



13-48



13-49



13-50



13-51



13-52



13-53



13-54



13-55



13-56



13-57



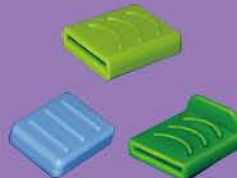
13-58



13-59



13-60



13-61

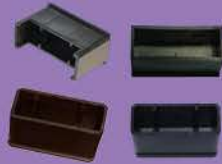


PINGOOD

13-62



13-63



13-64



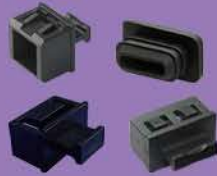
13-65



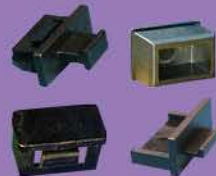
13-66



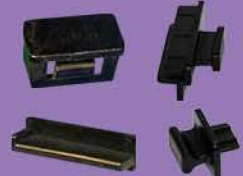
13-67



13-68



13-69



13-70



13-71



13-72



13-73



13-74



13-75



13-76



13-77



13-78



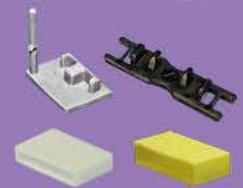
13-79



13-80



13-81



13-82



13-83



13-84



13-85



13-86



13-87



13-88



13-89



PINGOOD

13-90



13-91



13-92



13-93



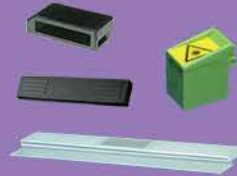
13-94



13-95



13-96



13-97



13-98



13-99



13-100



13-101



13-102



13-103



13-104



13-105



13-106



13-107



13-108



13-109



13-110



13-111



13-112



13-113



13-114



13-115



13-116



13-117



# 其他塑膠製品 HANDLE, HOUSING, COVER

## PINGOOD

13-118



13-119



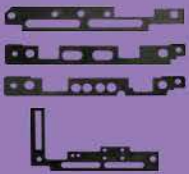
13-120



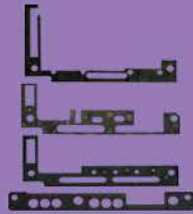
13-121



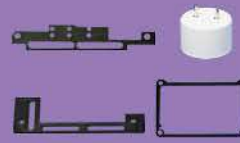
13-122



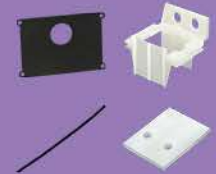
13-123



13-124



13-125



13-126



13-127



13-128



創新是魂  
人才是本

# 端子附件 五金 HARDWARE

## PINGOOD

14-2



14-3



14-4



14-5



14-6



14-7



14-8



14-9





# 索引 INDEX

|                |            |             |            |             |                |                |        |             |
|----------------|------------|-------------|------------|-------------|----------------|----------------|--------|-------------|
| <b>【數字】</b>    | ABF        | 6-20        | BSW        | 12-4,12-5   | CGT            | 11-16          | CIK    | 6-82        |
| 101A~112NP     | ABGX       | 6-161       | BSX        | 12-3        | CGU            | 11-11          | CIM    | 6-136       |
| 103C~115MC     | ABH        | 6-15,6-16   | BWA        | 13-4        | CGW            | 11-17          | CIS    | 6-81,6-82   |
| 3-150,3-151    | ABK        | 6-20        | BWD        | 13-5        | CGZ            | 11-17,11-18    | CJA    | 6-50        |
| 201~338        | ABP        | 6-128       | BWF        | 13-5        | CGZA           |                | CK     | 6-68,6-69   |
| 3-149          | AC         | 3-6         | BWH        | 13-5        |                | 11-18,11-19    | CKA    | 6-125       |
| 3-152          | ACBK       | 3-7         | BWJ        | 13-6        | CH             | 6-49,6-51      | CKB    | 6-125       |
| 2A             | ACBS       | 3-4~3-7     | BWK        | 13-2        |                | 6-54~6-56      | CKF    | 6-87        |
| 2CH            | ACK        | 5-49        | BWN        | 13-3        |                | 6-62,6-63,6-69 | CKFM   | 6-156       |
| 6-163,6-164    | ACMS       | 3-4         | BXR        | 12-25       | CH-04*,06*,09* |                | CKH    | 6-73,6-74   |
| 2CS            | ACT        | 3-6         | <b>【C】</b> |             |                | 6-57,6-77,6-78 | CKHA   | 6-74        |
| 4-9,4-10       | AD         | 3-142,3-145 | C系列墊座      |             | CH-08*,10K     |                | CKIM   | 6-84        |
| 2LED           | ADA        | 3-146       |            | 9-7,9-11    |                | 3-107,6-73     | CKK    | 6-89~6-92   |
| 2-2,2-5        | ADF        | 3-143       | CAC        | 6-65        | CH-10~30       |                | CKK-02 | 6-132       |
| 3CH            | ADGF       | 3-147       | CAF        | 6-162       |                | 6-63~6-67      | CKKS   | 6-103       |
| 6-164          | ADH        | 3-142       | CAM        | 6-16        | CH-38,48       |                | CKL    | 6-84        |
| 4-70~4-73      | ADJ        | 3-145       | CAP        | 8-61        |                | 6-164,6-165    | CKM    | 6-22,6-23   |
| 4-72           | ADHM       | 3-146       | CAR        | 6-16        | CHA            | 6-138          | CKMA   | 6-23        |
| 3RF            | ADK        | 3-142       | CBD        | 3-161       | CHAD           | 6-13           | CKMH   | 6-15        |
| 2-2            | ADM        | 3-146       | CBG        | 6-61        | CHB            | 6-123          | CKN    | 6-126       |
| 401AF~9634C    | ADP        | 3-143       | CBL        | 3-162,3-163 | CHF            | 6-13,6-14      | CKP    | 6-88        |
| 3-149,3-150    | ADQ        | 3-143       | CBLA       | 3-163       |                | 6-147~6-150    | CKQ    | 6-86,6-87   |
| 3-153          | ADW        | 3-142       | CBPA       | 3-164       | CHFA           | 6-14           | CKR    | 6-138,6-139 |
| 40M            | AF         | 3-6         | CBS        | 3-59        | CHFD           | 6-17           | CKS    | 6-67,6-68   |
| 8-61           | AVI        | 13-65       | CC         | 6-79        | CHFK           | 6-152          | CKT    | 6-127,6-128 |
| 4LED           | <b>【B】</b> |             | CCA        | 6-79        | CHFM           | 6-150          | CKTW   | 6-128       |
| 4-73           | BAK        | 6-79        | CCD        | 6-78        | CHFQ           | 6-14           | CKW    | 6-23        |
| 4-75,4-76      | BAR        | 6-141       | CCF        | 6-84        | CHFR           | 6-15           | CKX    | 6-126       |
| 4-73,4-74      | BCBS       | 3-82        | CD         | 6-76        | CHFT           | 6-17           | CKY    | 6-126       |
| 4RF            | BCMS       | 3-82        | CDA        | 13-14       | CHFW           | 6-153          | CKZ    | 6-23        |
| 2-2            | BFA        | 13-113      | CDF        | 6-76        | CHG            | 6-149          | CLA    | 4-50        |
| 4-76~4-78      | BFN        | 12-25       | CDS        | 13-7~13-14  | CHH            | 6-139          | CLED   | 4-37        |
| 4-77           | BH         | 2-23~2-25   | CDT        | 13-15       | CHJ            | 6-68           |        | 4-40~4-48   |
| 5R             | BH-5~7     |             | CDY        | 13-14       | CHK            | 6-69           | CM     | 6-64        |
| 2-2~2-4        |            | 13-32,13-33 | CF         | 11-2        | CHL            | 6-65           | CMA    | 6-52        |
| 5RF            | BHA        | 2-24        | CFK        | 6-70        | CHM            | 6-61           | CMB    | 6-75        |
| 2-2,2-3        | BHB        | 1-45        | CFKA       | 6-70        | CHN            | 6-78           | CMBF   | 6-75        |
| 601~901,60*    | BHR        | 13-79       | CFP        | 13-71       | CHP            | 6-85           | CMC    | 6-49        |
| 8-60,8-62~8-65 | BJA        | 13-6        | CG         | 11-2~11-15  | CHQ            | 6-124          | CMD    | 6-157       |
| 6FW-10         | BSA        | 13-2~13-4   |            | 11-17       | CHR            | 6-53           | CMG    | 6-127       |
| 6-2            | BSC        | 13-4        | CGB        | 11-19       | CHST           | 6-136          | CMGA   | 6-127       |
| 6FW-11         | BSG        | 13-2        | CGD        | 11-10       | CHT            | 6-49           | CMF    | 6-20        |
| 6-138          | BSQ        | 12-27       | CGH        | 11-21       | CHU            | 6-20           | CMK    | 6-60        |
| 6LED           | BSR        | 6-88        | CGJ        | 11-16       | CHW            | 6-7~6-10       | CML    | 6-17        |
| 4-78           | BST        | 12-3,12-4   | CGL        | 11-14       | CHX            | 6-80           | CMLA   | 6-17        |
| 6R             |            | 12-20~12-25 | CGM        |             | CHY            | 6-83           | CMM    | 6-129       |
| 2-2,2-4        | BST-4      | 12-27       |            | 11-19~11-21 | CIC            | 6-81           | CMP    | 6-163       |
| 2-2,2-4        | BSTH       | 12-2        | CGR        | 13-102      | CID            | 6-48           | CMQ    | 6-129       |
| 8LED           |            |             |            |             |                |                |        |             |
| 4-79           |            |             |            |             |                |                |        |             |
| 8R             |            |             |            |             |                |                |        |             |
| 2-2,2-3        |            |             |            |             |                |                |        |             |
| 9R             |            |             |            |             |                |                |        |             |
| 2-2            |            |             |            |             |                |                |        |             |
| 10LED          |            |             |            |             |                |                |        |             |
| 4-79           |            |             |            |             |                |                |        |             |
| 15LED          |            |             |            |             |                |                |        |             |
| 4-79           |            |             |            |             |                |                |        |             |
| <b>【A】</b>     |            |             |            |             |                |                |        |             |
| A              |            |             |            |             |                |                |        |             |
| 6-137          |            |             |            |             |                |                |        |             |
| AAA            |            |             |            |             |                |                |        |             |
| 3-91           |            |             |            |             |                |                |        |             |
| AB             |            |             |            |             |                |                |        |             |
| 6-4~6-6        |            |             |            |             |                |                |        |             |
| 6-11~6-13      |            |             |            |             |                |                |        |             |
| 6-15,6-18,6-19 |            |             |            |             |                |                |        |             |
| AB-1*          |            |             |            |             |                |                |        |             |
| 6-142          |            |             |            |             |                |                |        |             |
| ABD            |            |             |            |             |                |                |        |             |
| 6-16           |            |             |            |             |                |                |        |             |

# 索引 INDEX

|        |             |      |              |               |             |                |             |            |           |
|--------|-------------|------|--------------|---------------|-------------|----------------|-------------|------------|-----------|
| CMR    | 6-2,6-3     | CUH  | 6-61         | CYW           | 6-70        | DHM            | 13-126      | EDK        | 1-30~1-33 |
| CMRT   | 6-50        | CUK  | 6-60         | CYWF          | 6-71        | DL-001~20*     |             | EDL        | 4-27      |
| CMRW   | 6-50        | CW   | 8-3,8-4,8-15 | CYX           | 6-162       | 1-3~1-6        |             | EDM        | 4-29      |
| CMRZ   | 6-50        | CWA  | 8-18,8-19    | CZA           | 6-55        | 1-8~1-9        |             | EDN        | 1-27,1-28 |
| CMS    | 6-152       | CWB  | 8-7          | CZB           | 6-54        | DL-100*~700*   |             | EDN-05,5C  | 1-32      |
| CMW    | 6-100       | CWC  | 8-7          | CZC           | 6-52        | 1-9~1-14       |             | EDP        | 4-59      |
| CMX    | 6-2         | CWD  | 8-9          | CZD           | 6-146       | DLA            | 1-2         | EDQ        | 4-34      |
| CMY    | 6-3         | CWF  | 8-5,8-6      | CZF           | 6-55        | DLB            | 1-6         | EDR        | 4-10      |
| CMZ    | 6-59        | CWFK | 8-8          | CZG           | 6-160       | DLC            | 1-5         | EDT        | 4-20      |
| CNA    | 6-77        | CWG  | 8-7          | CZH           | 6-53        | DLF            | 1-6         | EDW        | 4-21      |
| CND    | 6-86        | CWH  | 8-8          | CZJ           | 6-10        | DLK            | 1-7         | EDZ        | 1-28,1-29 |
| CNF    | 6-150,6-151 | CWJ  | 8-10         | CZK           | 6-21        | DLM            | 1-5         | EEA        | 4-50      |
| CNFA   | 6-151       | CWL  | 8-10         | CZL           | 6-60        | DMI            | 13-90,13-91 | EEB        | 4-34      |
| CNFK   | 6-150       | CWM  | 8-4          | CZM           | 6-62        | DMK            | 3-31        | EEC        | 4-26      |
| CNG    | 6-83        | CWP  | 8-15         | CZP           | 6-62        | DP             | 13-95,13-96 | EED        | 13-15     |
| CNH    | 6-156       | CWQ  | 8-5,8-14     | CZPA          | 6-63        | DPM            | 13-31       | EEF        | 4-35      |
| CNHA   | 6-157       | CWR  | 8-19         | CZQ           | 6-10        | DPS            | 13-31       | EEG        | 4-61      |
| CNJ    | 6-161       | CWS  | 8-8          | CZR           | 6-55        | DPX            | 3-160       | EEH        | 4-26      |
| CNK    | 6-151       | CWT  | 8-10         | CZS           | 6-58        | DS-1~8         | 2-13        | EEJ        | 4-34      |
| CNQ    | 6-154       | CWU  | 8-20         | CZT           | 6-21        | 2-14,2-16~2-20 |             | EEK        | 4-26      |
| CNR    | 6-153       | CWW  | 8-20         | CZW           | 6-21        | DS-10~27       |             | EEL        | 4-10      |
| CNTF   | 6-152       | CWX  | 8-3          | CZX           | 6-56        | 2-17,2-21,2-22 |             | EEM        | 4-25      |
| CNW    | 6-154       | CWY  | 8-11         | CZY           | 6-62        | DSC            | 2-22,2-23   | EEN        | 4-19      |
| CNWF   | 6-155       | CWZ  | 8-4          | <b>【D】</b>    |             | DSF            | 2-15        | EEP        | 4-61      |
| CNWZ   | 6-155       | CXK  | 6-96         | D-0710        | 13-38       | DSH            | 2-20        | EES        | 4-8       |
| CP     | 10-2~10-7   | CXR  | 6-91         | DAB           | 13-24,13-25 | DSW            | 2-16        | EET        | 4-58      |
| CQ     | 13-18       | CXT  | 6-132        | DAG           | 3-128       | DUA            | 13-126      | EEW        | 4-16      |
| CQA    | 3-154       | CYA  | 6-92         | DAGH          | 3-129       | DVI            | 13-91       | EKB        | 4-28      |
| CRC    | 6-101       | CYAA | 6-92         | DAGK          | 3-129       | DXA            | 8-11~8-13   | EKC        | 4-21      |
| CRN    | 6-101       | CYB  | 6-99         | DAH           | 13-44       | DXC            | 8-14        | EKF        | 4-19      |
| CS     | 6-57,6-58   | CYC  | 6-99         | DAP           | 13-24       | DXF            | 8-14        | EKL        | 4-9       |
|        | 6-79        | CYD  | 6-101        | DC            |             | DXGF           | 13-108      | EKM        | 4-33      |
| CSA    | 6-61        | CYF  | 3-99         | 13-121~13-124 |             | DXH            | 8-14        | EKN        | 4-27      |
| CSF    | 6-49        | CYFG | 3-100        | DCBS          | 3-67,3-68   | DXK            | 8-11        | EKT        | 4-28      |
| CSK    | 6-66        | CYFJ | 3-100        | DCC           | 13-65,13-66 | DXM            | 8-10        | ELA        | 4-15      |
| CST    | 8-89        | CYFK | 3-101        | DCJ           | 13-65       | DXP            | 8-12        | EMQ        | 7-3       |
| CT     | 2-23        | CYFQ | 3-100        | DCMS          | 3-75        | DXS            | 8-13        | EMR        | 7-2       |
| CTK    | 6-103       | CYFT | 3-101        | DCQ           | 13-33       | DXW            | 8-28        | EQA        | 4-54      |
| CTM    | 6-104       | CYG  | 6-93         | DCR           | 3-165       | <b>【E】</b>     |             | EQC        | 4-51      |
| CTR    | 6-129       | CYH  | 6-74         | DCRJ          | 3-165       | ECW            | 4-60        | EQF        | 4-55      |
| CTT    | 6-153       | CYJ  | 6-109        | DDS           | 2-14,2-15   | EDA            | 4-29        | EQH        | 4-55      |
| CTX    | 6-59,6-131  | CYK  | 6-75         | DDS-04        | 2-25        | EDC            | 4-27        | <b>【F】</b> |           |
| CU     | 6-30        | CYL  | 6-101        | DFA           | 6-133       | EDD            | 4-60        | FAA        | 6-94,6-95 |
|        | 6-71~6-73   | CYM  | 6-102        | DFB           | 6-172       | EDE            | 4-8         | FAB        | 6-90      |
| CU-06A | 6-81        | CYP  | 6-102        | DFG           | 6-142       | EDF            | 4-8         | FAC        | 6-148     |
| CU-07* | 6-111       | CYQ  | 6-100        | DFK           | 6-142       | EDG            | 4-59,4-60   | FAF        | 6-149     |
| CUA    | 6-71        | CYR  | 6-102        | DFQ           | 6-172       | EDH            | 4-4         | FAG        | 6-149     |
| CUD    | 6-110       | CYS  | 6-76         | DHD           | 13-66       | EDJ            | 4-25        | FAK        | 6-158     |

# 索引 INDEX

|         |                         |           |                 |            |             |            |             |               |             |
|---------|-------------------------|-----------|-----------------|------------|-------------|------------|-------------|---------------|-------------|
| FAKT    | 6-159                   | FDP       | 6-112           | FWG        | 6-35        | GSM        | 8-54        | HDY           | 13-89       |
| FAM     | 6-130                   | FDQ       | 6-45            | FWGA       | 6-35        | GSP        | 9-15        | HDZ           | 13-75       |
| FB      | 6-43                    | FDW       | 6-29,6-30       | FWH        | 6-88        | GSQ        | 8-50        | HF            | 13-82       |
| FBA     | 13-17                   | FDX       | 6-31            | FWI        | 6-148       | GTT        | 9-14        | HFC           | 13-17       |
| FBC     | 6-111,6-112             | FFR       | 3-11            | FWJ        | 6-130       | GXA        | 9-15        | HFK           | 13-83       |
| FBF     | 6-48                    | FGH       | 6-11            | FWK        | 6-146,6-147 | <b>【H】</b> |             | HFX           | 13-128      |
| FBM     | 6-112                   | FH        | 13-38           | FWM        |             | H,H2M,H4   | 3-156       | HHB           | 3-155       |
| FC      | 6-43,6-114              | FIB       | 13-96           |            | 12-14~12-16 | HB         | 13-64       | HHJ           | 3-155       |
| FCA     | 6-109                   | FJH       | 3-166           | FWP        | 6-37,6-38   | HBA        | 13-71       | HHP           | 1-33,1-34   |
| FCAT    | 6-109                   | FJW       | 3-164           | FWQ        | 6-104       | HBC        | 13-68,13-69 | HHQ           | 1-45        |
| FCB     | 3-11                    | FK        | 3-10            | FWR        | 6-106       | HBF        | 13-69       | HJA           | 8-68        |
| FCC     | 6-46,6-93<br>6-95,6-113 | FKC       | 3-98,3-99       | FWS        | 6-69,6-70   | HBK        | 13-64       | HKA           | 13-72       |
| FCD     | 6-45~6-47               | FKD       | 3-97            | FWT        | 6-42        | HC-0~18*   | 13-66       | HLED          | 4-39        |
| FCE     | 6-160                   | FKJ       | 3-101           | FWTA       | 6-89        |            | 13-73~13-75 | HP            | 13-19       |
| FCF     | 6-47,6-48               | FKJD      | 3-102           | FWW        | 6-104       |            | 13-78,13-79 | HPA           | 13-30       |
| FCG     | 6-113                   | FKJR      | 3-102           | FWX        | 6-38        | HC-21*~51  |             | HPM           | 13-103      |
| FCH     | 6-140                   | FKK       | 3-134           | FWY        | 6-47        |            | 13-62,13-63 | HS            | 13-39~13-44 |
| FCJ     | 6-112                   | FKM       | 3-98            | FWZ        | 6-36        |            | 13-76,13-78 |               | 13-45,13-46 |
| FCJK    | 6-159                   | FLA       | 6-131,6-132     | FXA        | 3-163       | HCA        | 13-47,13-48 | HSA           | 13-39       |
| FCJS    | 6-158                   | FLED      | 4-49            | FYA        | 12-15       | HCD        | 13-80       | HSD           | 13-44       |
| FCK     | 6-110                   | FMG       | 3-167           | FYB        | 12-15       | HCG        | 11-22,11-23 | HSF           | 13-46,13-47 |
| FCM     | 6-44,6-45<br>6-106      | FMQ       | 3-168           | FYC        | 6-110       | HCGT       | 11-23       | HSL           | 13-45       |
| FCM-01  | 6-157                   | FMY       | 3-167           | FYD,FYDA   | 12-16       | HCHA       | 13-119      | HSM           | 13-42       |
| FCM-20* |                         | FN        | 14-8            | FYH        | 6-103       | HCK        | 13-83       | HSQ           | 13-40       |
| FCM-35* | 6-141                   | FQC       | 6-140           | FYK        | 6-32        | HCKA       | 13-69       | HSW           | 13-45       |
| FCNQ    | 6-158                   | FQCM      | 6-100           | FYL        | 12-17       | HCKB       | 13-69       | HTA           | 13-83       |
| FCP     | 6-5                     | FRAC      | 6-24            | FYM        | 6-32        | HCKC       | 13-70       | HTD           | 13-62       |
| FCQ     | 6-97~6-99               | FS        | 6-5             | FYS        | 6-28        | HCKF       | 13-70       | HU-1*~5*      |             |
| FCR     | 6-44                    | FSA       | 6-147           | FZA        | 3-165       | HCL        | 13-70       |               | 8-16~8-21   |
| FCS     | 6-93                    | FSC       | 6-30            | <b>【G】</b> |             | HCM        | 13-73,13-74 | HU-7*,07*~15* |             |
| FCSD    | 6-94                    | FSD       | 6-34            | GCA        | 13-125      | HCP        | 13-80       |               | 8-21~8-26   |
| FCT     | 3-11                    | FSK       | 6-147           | GL         | 9-2~9-4     | HCQ        | 13-63       | HU-07T        | 8-67        |
| FCW     | 6-39~6-41               | FSL       | 6-31            | GLA        | 9-5         | HCR        | 13-79,13-81 | HU-19,19*     | 8-66        |
| FCWA    | 6-108                   | FU        | 6-6             | GLC        | 9-14        | HCS        | 13-81,13-96 | HU4,HU6       | 3-157       |
| FCWB    | 6-159                   | FUA       | 6-7             | GLD        | 9-15        | HCW        | 13-70       | HUA           | 8-26        |
| FCWC    | 6-161                   | FUM       | 6-6             | GLE        | 9-6         | HCWT       | 13-77       | HUC           | 8-27        |
| FCWT    | 6-41                    | FUS       | 6-6             | GLED       | 4-44        | HCX        | 13-81       | HUD           | 8-26        |
| FCWY    | 6-160                   | FW        | 6-24~6-29       | GLH        | 8-49        | HCZ        | 13-71       | HUF           | 8-76        |
| FCX     | 6-96,6-97               |           | 6-32~6-34,6-36  | GLQ        | 9-13,9-14   | HD         | 13-37       | HUG           | 8-16        |
| FCY     | 6-42                    | FW-08A    | 6-153           | GMC        | 9-6,9-7     | HDA        | 13-37       | HUH           | 8-25        |
| FCZ     | 6-96                    | FW-22*~40 |                 | GQH        | 8-49        | HDB        | 13-89       | HUJ           | 8-67~8-69   |
| FDD     | 6-37                    |           | 6-28,6-37,6-105 | GSA        | 8-51~8-53   | HDD        | 13-77       | HUK           | 8-66        |
| FDH     | 6-105                   | FW-CD30   | 6-35            | GSB        | 8-54        | HDE        | 13-77       | HUL           | 8-26        |
| FDK     | 6-31                    | FWA       | 6-38            | GSD        | 8-52        | HDK        | 13-77       | HUM           | 8-28        |
| FDM     | 6-31                    | FWB       | 6-34            | GSE        | 8-52        | HDP        | 13-111      | HUP           | 8-27        |
|         |                         | FWC       | 6-80            | GSG        | 8-48        | HDQ        | 13-82       | HUQ           | 8-70        |
|         |                         | FWD       | 6-80            | GSH        | 8-51        | HDTC       | 13-82       | HUT           | 8-69        |
|         |                         | FWF       | 6-7             | GSK        | 8-50        | HDT        | 13-82       | HUX           | 8-18        |

# 索引 INDEX

|            |             |                |                |        |           |      |             |            |             |
|------------|-------------|----------------|----------------|--------|-----------|------|-------------|------------|-------------|
| HWH        | 3-155       | LCAS           | 3-50           | LED3   | 4-53      | LFD  | 6-107       | LSH        | 3-94        |
| <b>【I】</b> |             | LCB3           | 3-37           |        | 4-55~4-58 | LFE  | 6-82        | LSJ        | 3-93        |
| ICA        | 8-69        | LCBA           | 3-37           | LED3x4 | 4-4       | LFK  | 6-83        | LSK        | 3-117,3-118 |
| ICC        | 8-69        | LCBS           | 3-56,3-57      | LEDX   | 4-52      | LFN  | 6-107       | LSL        | 3-137       |
| IRK        | 14-9        | LCBS-48        | 3-50           | LEE    | 4-30      | LFW  | 6-36        | LSN        | 3-121       |
| <b>【J】</b> |             | LCC            | 3-58           | LEF    | 4-16      | LFZ  | 6-108       | LSNT       | 3-121       |
| JFW        | 14-7        | LCD            | 3-52           | LEF5   | 4-15      | LFZN | 6-108       | LSP        | 3-122       |
| JG         | 14-8,14-9   | LCF            | 3-45           | LEFD   | 1-44      | LGA  | 9-7         | LSQ        | 3-133       |
| JH         | 14-4        | LCFA           | 3-51           | LEG3   | 4-24,4-25 | LH   | 5-65~5-67   | LSR        | 3-123       |
| JP         | 14-5~14-6   | LCG            | 3-76           | LEGD   | 1-52      | LHA  | 5-68        | LSS        | 3-97        |
| JT         | 14-2,14-3   | LCH            | 3-38           | LEH5   | 4-12      | LHG  | 5-70        | LST        | 12-26       |
| <b>【K】</b> |             | LCJ            | 3-29           |        | 4-20,4-26 | LHJ  | 5-70        | LSY        | 3-135       |
| KCA        | 3-49        | LCK            | 3-52           | LEHD   | 1-38      | LHK  | 5-20        | LSZ        | 3-122       |
| KDD        | 3-12        | LCM*           | 13-28          | LEI    | 4-22      | LHM  | 5-68        | LSZQ       | 3-122       |
| KDH        | 3-12        | LCQ            | 3-41           | LEJ    | 4-3       | LHQ  | 5-20,5-21   | LT         | 3-55        |
| KDM        | 3-12        | LCR            | 3-29           | LEJD   | 1-49      | LHY  | 5-69        | LTA3       | 3-34,3-35   |
| KFD        | 3-161       | LCS            | 3-40           | LEK2   | 4-30,4-31 | LHZ  | 13-89       | LTBS       | 3-57        |
| KFDX       | 3-168       | LCX            | 3-31           |        | 4-35,4-36 | LJA  | 4-13        | LTD        | 3-8,3-9     |
| KFJ        | 3-162       | LCWS           | 3-56           | LEK4   | 4-30~4-33 | LJD  | 4-22        | LTEL       | 3-112       |
| KFL        | 3-162       | LCY            | 3-28           | LEK5   | 4-29      | LKB  | 3-109       | LTER       | 3-112       |
| KHA        | 3-24        | LCZ            | 3-109          | LEKC   | 4-28      | LKC  | 3-110       | LTF        | 3-130       |
| KLED       | 4-37~4-39   | LD             | 3-136          | LEM*   | 4-20,4-21 | LKN  | 3-110       | LTG        | 3-55        |
| KPD        | 3-97        | LDA            | 9-15           | LEMD   | 1-41,1-42 | LLS  | 3-54        | LTH        | 3-116       |
| KWT        | 3-150,3-151 | LDAD           | 1-54           | LEMK   | 1-43      | LMA  | 3-44        | LTK        | 3-130       |
| KYA        | 6-162       | LDHD           | 1-54           | LEN    | 4-36      | LMB  | 3-119       | LTKL       | 3-111       |
| KYC        | 6-133       | LDMD           | 1-34           | LEND   | 1-52      | LMD  | 4-16        | LTKR       | 3-112       |
| KYF        | 6-134       | LEA            | 4-9,4-31       | LEQ    | 4-2       | LMF  | 3-114       | LTN        | 3-113,3-117 |
| KYH        | 6-136       | LEAD-2~29      |                | LEQD   | 1-50      | LMG  | 3-119,3-120 | LTQ        | 3-123       |
| KYK        | 6-133       | 1-34~1-37,1-40 |                | LER    | 4-28      | LMGA | 3-120       | LTQB       | 3-51        |
| KYM        | 6-134       | 1-46~1-50,1-53 |                | LERD   | 1-51      | LMH  | 3-114       | LTQM       | 3-51        |
| KYR        | 6-134,6-135 | LEAD-30~39     |                | LES    | 4-51      | LMJ  | 3-115       | LTQR       | 3-123       |
| KYT        | 6-135       | 1-36~1-38      |                | LESD   | 1-48      | LMK  | 3-115       | LTR        | 3-130       |
| KYW        | 6-135       | LEAD-40~81     |                | LET*   | 4-16~4-18 | LMM  | 3-113,3-115 | LTRC       | 3-124       |
| <b>【L】</b> |             | 1-39,1-45,1-55 |                | LETD   | 1-48      | LMP  | 3-117       | LTS        | 3-134       |
| L系列垫座      |             | LEC            | 4-33           | LEU    | 4-32      | LMQ  | 3-118       | LTU        | 3-54        |
| 9-11,9-12  |             | LECD           | 1-51           | LEUD   | 1-42      | LMR  | 3-118       | LTW        | 3-129       |
| L-9A       | 3-60        | LED            | 4-14,4-15      | LEVD   | 1-47      | LMX  | 3-116       | LTX        | 3-9         |
| L-16*      | 3-60        |                | 4-52~4-53,4-57 | LEW    | 4-22,4-36 | LMW  | 3-121       | LTY        | 3-108       |
| LBB        | 3-59        | LED-2F~5F      | 4-11           | LEWA   | 1-51      | LMWY | 3-111       | LTZ        | 3-111       |
| LBC        | 3-42,3-43   | LED-2Y~5Y      | 4-14           | LEWD   | 1-47      | LPL  | 13-125      | LW         | 3-136       |
| LBCM       | 3-37        | LED-2x10       | 4-2            | LEWF   | 1-55      | LQC  | 13-32       | LWC        | 3-137       |
| LBD        | 3-35        | LED-13.5       | 4-3            | LEX    | 4-22      | LRA  | 13-124      | LWH        | 3-139       |
| LBK        | 3-25        | LED-3x*        | 4-4            | LEXD   | 1-54      | LS   | 3-131~3-133 | LWP        | 3-137       |
| LCA2       | 3-29        | LED-*x3        |                | LEY    | 4-32      | LSA  | 3-2         | LXC        | 3-128       |
| LCA3       | 3-33        |                | 4-65,4-66      | LEYD   | 1-43      | LSB  | 3-108       | LXCG       | 3-128       |
| LCA35      | 3-42        | LED-*x3A       | 4-64           | LEZ    | 4-51      | LSC  | 3-95,3-96   | <b>【M】</b> |             |
| 3-44,3-45  |             | LED-*T,**T     |                | LEZD   | 1-38      | LSD  | 3-2,3-3,3-7 | M          | 2-28~2-30   |
| LCA4       | 3-50        |                | 4-23,4-54      | LFC    | 6-114     | LSF  | 3-94        | M3*,M4*    | 8-35        |

# 索引 INDEX

|            |           |         |               |        |               |      |              |       |             |
|------------|-----------|---------|---------------|--------|---------------|------|--------------|-------|-------------|
| MA         | 3-96      | MCU     | 3-41          | MHG    | 2-31~2-33     | MPV  | 13-127       | MTQA  | 13-99       |
| MAA        | 5-31      | MCW     | 3-44          | MHG-05 | 3-97          | MPW  | 13-125       | MTU   | 8-28        |
| MAB        | 5-31      | MCX     | 3-38,3-39     | MHG-3A | 5-46          | MPZ  | 2-33         | MTX   | 4-67        |
| MAF        | 2-33      | MCY     | 3-32          | MHL    |               | MQB  | 3-76         | MTY   | 13-112      |
| MB-01*~35* |           | MCZ     | 3-39          |        | 13-48~13-61   | MQC  | 3-38         | MTZ   | 8-6         |
|            | 5-42~5-60 | MD      | 13-19,13-20   | MHLA   | 13-62         | MQD  | 3-27         | MU    | 2-30        |
| MB-99*     | 5-56      |         | 13-111        | MHLF   | 13-61         | MQF  | 3-35         | MVA   | 13-20       |
| MBB        | 5-46      | MDA     | 13-20,13-21   | MHM    | 13-34         | MQG  | 3-108        | MVJ   | 13-128      |
| MBC        | 5-48      | MDB     | 13-21         | MHT    | 3-147         | MQT  | 3-49         | MWC   | 13-30       |
| MBDA       | 5-60      | MDC     | 13-108        | MHW    | 13-34         | MQW  | 3-52         | MWF   | 3-98        |
| MBDG       | 6-143     | MDD     | 13-125        | MHY    | 13-106        | MQY  | 3-34         | MWJ   | 13-113      |
| MBF        | 2-30,2-34 | MDJ     | 13-20         | MIA    | 8-46          | MRA  | 13-26        | MWZ   | 13-28       |
| MBH        | 5-56      | MDK     | 13-24         | MIR    | 13-98         | MRAT | 13-105       | MXF   | 13-127      |
| MBJ        | 13-65     | MDL     | 13-27         | MJC    | 13-38         | MRH  | 13-101       | MXR   | 2-34        |
| MBK        | 5-48      | MDP     | 5-69          | MJGP   | 13-103        | MRM  | 13-101       | MXT   | 2-34        |
| MBL        | 5-42,5-43 | MDV     | 13-19         | MJQB   | 13-98         | MRN  | 13-36        | MYC   | 8-35        |
| MBM        | 5-47      | MDW     | 13-111        | MKK    | 13-110        | MRQ  |              | MZT   | 13-106      |
| MBP        | 5-49      | MEA     | 3-25          | MKL    | 10-2          |      | 13-99~13-100 |       | <b>【N】</b>  |
| MBQ        | 5-47,5-48 | MEC     | 5-63          | MKP    | 13-109        | MRR  | 13-100       | NBB   | 13-15       |
| MBR        | 5-47      | MEG     | 3-26          | MLA    | 8-9           | MRT  | 5-70         | NBC   | 13-16,13-17 |
| MBT        | 5-58      | MEH     | 3-28          | MLED   | 4-40          | MRX  | 13-102       | NBR   | 13-16       |
| MBTR       | 5-60      | MEK     | 5-51          | MLW    | 13-103        | MRY  | 13-102       | NBT   | 13-16       |
| MBS        | 5-46      | MEL     | 5-62          | MMD    | 2-31          | MRZ  | 13-97        | NEA   | 13-94       |
| MBSK       | 5-49      | MEP     | 5-62          | MMF    | 13-104        | MS   | 3-92         | NEC   | 13-67       |
| MBY        | 5-59      | MF      | 3-73,3-74     | MMFA   | 13-104        | MSA  | 3-89         | NEF   | 13-67       |
| MBZ        | 5-57      | MFC     | 3-71          | MMH    | 8-6           | MSB  | 3-90         | NEG   | 13-94       |
| MC         | 3-80,3-81 | MFD     | 3-70          | MML    | 13-30         | MSBA | 3-90         | NEK   | 13-68       |
| MCA        | 3-26      | MFG     | 13-26         | MMQ    | 2-33,2-34     | MSC  | 3-91         | NEP   | 13-67       |
| MCB        | 3-46~3-48 | MFH     | 13-38         | MMR    | 13-30         | MSD  | 3-93         | NEQ   | 13-95       |
| MCB3       | 3-33      | MFQ     | 3-75          | MMS    | 13-105        | MSF  | 3-91         | NER   | 13-71       |
| MCC        | 3-77      | MFR     | 3-70          | MMW    | 13-28         | MSH  | 3-93         | NES   | 13-94,13-95 |
| MCD2       | 3-27      | MFRK    | 3-70          | MMX    | 13-36         | MSK  | 3-88         | NET   |             |
| MCE        | 3-43      | MFS     | 3-79          | MNA    | 13-97         | MSLQ | 3-88         |       | 13-92~13-93 |
| MCF        | 3-33,3-34 | MFW     | 3-83          | MNK    | 13-99         | MSP  | 3-91         | NEX   | 13-92       |
| MCH        | 3-32      | MGF     | 13-29         | MNS    | 8-20          | MSQ  | 3-90         | NEY   | 13-68       |
| MCI        | 3-36      | MGK     | 13-31         | MNW    | 13-97         | MSR  | 3-87         | NSA   | 13-67       |
| MCJ        | 3-25,3-78 | MGKH    | 13-31         | MPB    |               | MSS  | 3-90         | NWT   | 8-37        |
| MCJA       | 3-77      | MGL-04  | 13-29         |        | 13-114~13-119 | MST  | 3-89         |       | <b>【O】</b>  |
| MCK        | 3-26      | MGL-26A | 13-105        | MPBH   | 13-120        | MSY  | 3-92         | OIL   | 8-34        |
| MCL        | 3-24,3-31 | MGM     | 13-27         | MPBL   | 13-120        | MSZ  | 3-88,3-89    | OPW   | 8-34        |
| MCM        | 3-30      | MGMA    | 13-27         | MPBT   | 13-120        | MTB  | 13-26        |       | <b>【P】</b>  |
| MCN        | 3-36      | MGMB    | 13-27         | MPG    |               | MTC  | 3-135        | P-1,5 | 13-106      |
| MCP        | 3-39      | MGS     | 13-121        |        | 13-112,13-113 | MTD  | 4-64         | P-2   | 14-2        |
| MCQ        | 3-36      | MGW     | 13-126        | MPL    | 1-8           | MTG  | 3-135        | PAC   | 6-21        |
| MCQA       | 3-46      | MGX     |               |        | 2-32,2-35     | MTH  | 13-23        | PACB  | 6-156       |
| MCR        | 3-47      |         | 13-107,13-108 | MPR-01 | 13-109        | MTJ  | 13-23        | PAD10 | 6-22        |
| MCS        | 3-24      | MGZ     | 13-28         | MPR-05 | 8-70          | MTN  | 13-23        | PAD11 | 6-22        |
| MCT        | 12-19     | MH      | 13-34~13-36   | MPT    | 8-68          | MTQ  | 13-25        | PAK11 | 6-22        |

# 索引 INDEX

|        |             |       |                |           |             |             |                |             |            |
|--------|-------------|-------|----------------|-----------|-------------|-------------|----------------|-------------|------------|
| PC     | 6-115       | QLA   | 4-19           | SB        | 2-8~2-10    | SQ          | 3-154          | SRQB        | 5-2        |
|        | 6-165~6-167 | QLB   | 4-7            |           | 2-13        | SQA         | 5-74           | SRQF        | 5-3        |
| PCA    | 3-63        | QLC   | 4-12,4-18      | SBD       | 2-7         | SQR         | 5-22           | SRQM        | 5-41       |
| PCBS   | 3-145       | QLD   | 4-76           | SBK       | 2-6         | SQRC        | 5-22           | SRR         | 2-32       |
| PCC    | 3-63        | QLE   | 4-5,4-6        | SC        | 2-12        | SR-03*~07** |                | SRS*        | 3-144      |
| PCE    | 3-60~3-62   | QLED  | 4-49           | SCA       | 3-23        |             | 5-21,5-33      | SRTA        | 3-127      |
| PCF    | 3-68        | QLEH  | 4-5            | SCB       | 3-19        |             | 5-36~5-38      | SRTC        | 3-124      |
| PCG    | 6-166       | QLF   | 4-64           | SCC       | 3-20,3-21   | SR-12*~22** |                | SRTD        | 3-127      |
| PCJ    | 3-66        | QLG   | 4-4            | SCD       | 3-16        |             | 5-7,5-12~5-14  | SRTF        | 3-125      |
| PCK    | 3-64,3-65   | QLH   | 4-62,4-63      |           | 3-17,3-21   |             | 5-17,5-42      | SRTH        | 3-124      |
| PCM    | 3-77        | QLJ   | 4-13           | SCE       | 3-14        | SR-02Y~48Y  |                | SRTK        | 3-125      |
| PCN    | 3-69        | QLK   | 4-6,4-7        | SCF       | 3-21        |             | 5-11,5-14,5-17 | SRTM        | 3-126      |
| PCQ    | 3-76        | QLL   | 8-76           | SCG       | 3-14        |             | 5-18,5-19,5-21 | S RTP       | 3-127      |
| PCR    | 3-62        | QLM   | 4-63           | SCK       | 3-13,3-15   |             | 5-23~5-27      | SRTQ        | 3-125      |
| PCS    | 6-52,6-53   | QLP   | 4-63           | SCL       | 3-23        | SR-1*~4**   |                | SRTY        | 3-126      |
| PCS-2A | 3-66        | QLQ   | 4-7            | SCM       | 3-22,3-23   |             | 5-27~5-30      | SRU         | 5-63,5-64  |
| PCT    |             | QLR   | 4-63           | SCP       | 3-22        |             | 5-32~5-39      | SRX         | 5-31       |
|        | 6-170,6-171 | QLS   | 4-62           | SCQ       | 3-13        |             | 5-40,5-64,5-65 | SRXD        | 5-32       |
| PCU    | 6-171       | QLT   | 4-30           | SCS       | 3-16        | SRB         | 5-17           | SRXM        | 5-21       |
| PCW    | 6-171       | QLU   | 4-30           | SCT       | 3-17~3-19   | SRBK        | 5-18           | SRY         | 5-4        |
| PCX    | 6-36        | QLW   | 4-61           | SCTMS     | 3-92        | SRCK        | 5-8,5-9        | SRYC        | 5-3        |
| PCY    | 3-63        | QLX   | 4-19           | SCU       | 3-16        |             | 5-16,5-19      | SRYD        | 5-5        |
| PDB    | 6-165       | QLY   | 4-37           | SCW       | 3-15        | SRCM        | 5-16           | SRYK        | 5-4        |
| PDT    | 6-130,6-131 | QPI   | 13-78          | SCX       | 3-15        | SRCQ        | 5-4            | SRZ         | 5-5        |
| PEB    | 13-83       | QQA   | 4-61           | SCY       | 3-17        | SRD-1*~5*   |                | SS          | 2-12       |
| PED    | 13-29       | QQD   | 4-13           | SCZ       | 3-14        |             | 5-6~5-13,5-15  | SSA         | 3-53       |
| PF     | 12-27       | QQR   | 4-27           | SDA       | 3-22        | SRD-7*~25*  |                | SSBS*       | 3-54       |
| PG     | 1-14~1-26   | QRN   | 1-53           | SDC       | 3-73        |             | 5-15           | SSK         | 2-12       |
| PH     | 13-17,13-18 |       | <b>【R】</b>     | SDF       | 3-71        |             | 5-18~5-20      | SSR         | 3-145      |
| PHA    | 3-64        | R系列墊座 |                | SDH       | 13-98       | SRDK        | 5-7            | STR         | 5-40       |
| PIN    | 13-113      |       | 9-9,9-10       | SDM       | 3-71        | SRDM        | 5-5            | SU          | 5-71       |
| PL     | 6-168       | RJ    | 13-93          | SDN       | 3-73        | SRDW        | 5-40           | SU2,SU6     | 5-76       |
| PLA    | 6-169       | RL    | 3-148          | SDS       | 3-53        | SRF         | 5-2            | SU6A        | 5-72       |
| PLB    | 6-169       | RMF   | 3-140          | SDT       | 3-53        | SRFK        | 5-39,5-40      | SUN4,SUN6   | 5-74       |
| PLC    | 6-170       | RMG   | 3-141          | SF        | 5-75        | SRG         | 5-8            | SUP         | 3-164      |
| PSA    | 12-5~12-6   | RMJ   | 3-141          | SG        | 2-5         | SRH         | 5-9            | SW4,SW5     | 5-78       |
| PSF    | 12-10       | RMK   | 3-141          | SH        | 3-146,3-147 | SRJ         | 5-2            | SWA         | 8-55       |
| PSK    | 12-11       | RMT   | 3-141          | SHC       | 8-33        | SRL         | 5-16           | SY          | 2-11       |
| PST    | 12-26       | RS    | 3-148,3-149    | SK        | 3-13        | SRM         | 5-6            | SYB         | 2-11       |
| PTC    | 8-15        | RX*   | 9-11           | SL        | 2-6         | SRMD        | 5-41           | SZ          | 5-61       |
|        | <b>【Q】</b>  |       | <b>【S】</b>     | SLED      | 4-3         | SRMF        | 5-30           |             | <b>【T】</b> |
| Q系列墊座  | 9-13        | S系列墊座 | 9-8            | SLM       | 2-6         | SRMQ        | 5-33           | T系列墊座       | 9-13       |
| QBE    | 4-66        | S系列螺帽 | 5-80           | SM        | 5-78,5-79   | SRMR        | 5-29           | T9A         | 13-124     |
| QBF    | 4-52        | S系列螺絲 |                | SMA4,SMA6 | 5-81        | SRMT        | 5-30           | TA,TA*      |            |
| QBK    | 4-66        |       | 5-70~5-73      | SMC4      | 5-81        | SRN         | 5-25           | 6-115~6-118 |            |
| QBT    | 4-31        |       | 5-76,5-77,5-80 | SN4       | 5-75        | SRNT        | 5-24           | TAA         | 3-10       |
| QBU    | 4-62        | SA    | 2-10,2-11      | SNT       | 5-72        | SRQ         | 5-41           | TAH         | 3-155      |
| QDC    | 8-6         | SAQ   | 2-21           | SP        | 13-32       | SRQA        | 5-3            | TAJ         | 3-84       |

# 索引 INDEX

|            |             |                |           |            |             |            |           |             |             |
|------------|-------------|----------------|-----------|------------|-------------|------------|-----------|-------------|-------------|
| TAK        | 3-72        | THC            | 3-159     | TX11       | 6-123       | UWQ        | 8-43      | WSU         | 8-34,8-48   |
| TAN        | 3-79        | THK            | 3-159     | <b>【U】</b> |             | UWS        | 8-44      | WSX         | 8-41        |
| TAX        | 3-69        | THM            | 3-159     | U系列墊座      | 9-8         | UWT        | 8-30      | WSZ         | 2-7         |
| TB         | 3-138,3-140 | THT            | 3-160     | U系列華司      |             | UWX        | 8-34      | WU          | 8-47        |
| TB8,TB20   | 6-119       | THU4,THU6      | 3-157     |            | 8-29~8-33   | UWXC       | 8-44      | WUS         | 8-47        |
| TBK        | 3-95        | TH3F           | 3-160     |            | 8-37,8-38   | <b>【V】</b> |           | WWA         | 8-60        |
| TBW        | 3-96        | THU6-712F      |           | UA         | 3-106       | VCK        | 13-66     | WWD         | 8-5         |
| TC20       | 6-124       | TK6            | 6-121     | UAC        | 13-103      | VCP        | 13-72     | WWF         | 8-45        |
| TCA        | 3-84,3-85   | TN16           | 6-116     | UB         | 3-102~3-105 | VCQ        | 13-72     | WWK         | 8-42        |
| TCBS       | 3-86        | TO             | 8-89      | UBA        | 13-25       | VFA        | 13-109    | <b>【Y】</b>  |             |
| TCBK       | 3-94        | TPW            | 13-114    | UBC        | 3-105       | VTU        | 2-35      | YAA         | 12-18       |
| TCBR       | 3-79        | TQ             | 8-2       | UBL        | 3-106       | VVC        | 13-128    | YAD         | 12-5        |
| TCC        | 3-76        | TQA            | 8-89      | UCB        | 3-45,3-48   | <b>【W】</b> |           | YAK         | 12-23       |
| TCD        | 3-75        | TQC            | 8-2       | UCC        | 3-30        | WC         | 14-7      | YAKS        | 12-23       |
| TCF        | 3-69        | TQJ            | 8-57      | UCD        | 3-40        | WCB        | 3-59      | YAM         | 12-20       |
| TCG        | 3-94        | TQP            | 8-58      | UCF        | 3-30        | WCC        | 8-35      | YAT         | 12-17       |
| TCH        | 3-72        | TR-01~10**     |           | UCH        | 3-46        | WCD        | 5-59      | YJ          | 12-2        |
| TCJ        | 3-78        | 8-70~8-74      |           | UCK        | 3-40        | WHT        | 9-6       |             | 12-18~12-19 |
| TCK        | 3-78        | 8-77~8-82      |           | UCX        | 3-27        | WRA        | 8-31      | YJA         | 12-6        |
| TCL        | 3-87        | TR-11~35*      | 8-75      | UN4,UN6    | 5-80        | WRB        | 8-43      | YJB         | 12-12       |
| TCM3       | 3-86,3-87   | 8-82~8-85,8-87 |           | UN10       | 5-81        | WRC        | 8-40      | YJC         | 12-7,12-8   |
| TCN        | 3-78        | TRA            | 8-57      | UN6K       | 8-35        | WRD        | 8-39,8-41 | YJD         | 12-22       |
| TCP        | 3-96        | TRC            | 8-55~8-57 | UNB        | 3-106       | WRF        | 8-43      | YJF         | 12-11       |
| TCQ        | 3-72        | TRE            | 8-80      | UNC        | 3-106       | WRK        | 8-40      | YJH         | 12-14       |
| TCR        | 3-84        | TRJ            | 8-86      | UNG        | 3-107       | WRP        | 8-42      | YJK         | 12-13       |
| TCS        | 3-77        | TRJP           | 8-86      | US         | 2-28        | WRX        | 9-11      | YJL         | 12-12       |
| TCT        | 3-93        | TRJQ           | 8-86      | USB        |             | WS         | 8-33,8-36 | YJM         | 12-13       |
| TCU        | 3-41        | TRJW           | 8-86      |            | 13-84~13-88 |            | 8-40,8-41 | YJP         | 12-8        |
| TCW        | 3-69        | TRK            | 8-74      | USC        | 2-27        | WSA        | 8-43,8-44 | YJQ         | 12-9        |
| TCX        | 3-79        | TRL            | 8-75      | USCF       | 2-27        | WSB        | 8-46      | YJR         | 12-7        |
| TCY        | 3-83        | TRM            | 8-85      | USF        | 13-88       | WSC        | 8-45      | YJS         | 12-9        |
| TCYA       | 3-83        | TRN            | 8-76      | USJ        | 13-88       | WSE        | 8-60      | YJW         | 12-10       |
| TD*        | 6-120       | TRNC           | 8-76      | USK        | 2-26        | WSF        | 8-39      | YL          | 6-143~6-145 |
| TDA        | 6-57        | TRQ            | 8-87,8-88 | USM        | 2-26        | WSG        | 8-58~8-60 | YLA         | 6-144       |
| TDD        | 6-54        | TRR            | 8-70      | USQ        | 13-89       | WSGB       | 8-59      | YLB         | 6-144       |
| TDF        | 6-54        | TRT            | 8-74      | UST        | 2-25,2-27   | WSGT       | 8-59      | YLC         | 6-143       |
| TDH        | 6-85        | TRW            | 8-74      | UTF        | 6-146       | WSH        | 8-42      | YLED        | 4-43        |
| TDR16      | 6-121       | TRX            | 8-85      | UTU        | 2-36        | WSI        | 8-59      | YLF         | 6-145       |
| TDY8       | 6-120       | TRY            | 8-75      | UW         | 1-30        | WSJ        | 8-46      | <b>【其他】</b> |             |
| TDY11      | 6-121       | TRZ            | 8-73      |            | 13-21~13-23 | WSL        | 8-46      | 熱收縮套管       | 8-88        |
| TE21       | 6-122       | TS             | 3-138     | UWA        | 8-29        | WSM        | 8-48      |             |             |
| TEY4       | 6-122       | TSA            | 3-138     | UWB        | 8-29        | WSN        | 8-49      |             |             |
| TF8        | 6-116       | TSC            | 3-139     | UWC        | 8-30        | WSNA       | 8-61      |             |             |
| TG12       | 6-120       | TSD            | 3-139     | UWD        | 8-38,8-42   | WSP        | 2-7       |             |             |
| TGB        | 13-112      | TT15           | 6-123     | UWF        | 8-44        | WSQ        | 8-47      |             |             |
| TH,TH2,TH4 |             | TU14           | 6-122     | UWJ        | 8-38        | WSR        | 8-34      |             |             |
|            | 3-158       | TUA            | 6-119     | UWK        | 8-39        | WSS        | 8-50      |             |             |
| THB        | 3-159       | TUT            | 6-124     | UWM        | 8-44        | WST        | 8-47      |             |             |





門扣

MAGNET LATCH, STRIKER  
LATCH, PUSH LATCH

01



導光棒  
LIGHT PIPE



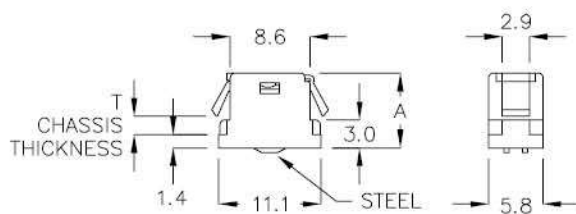
塑膠阻尼器  
ROTARY DAMPER



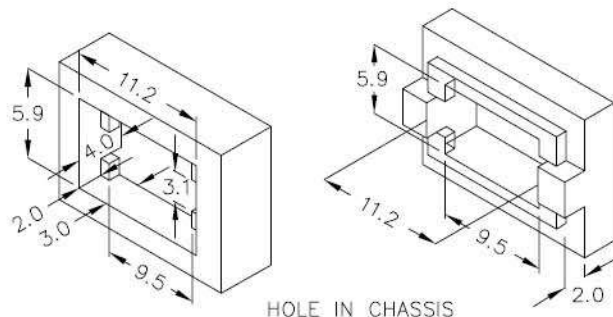
扣具 MAGNET LATCH(磁鐵式)

1-2-1

- MATERIAL: NYLON 66(UL)+STEEL
- FLAME CLASS: 94V-2
- COLOR: BLACK



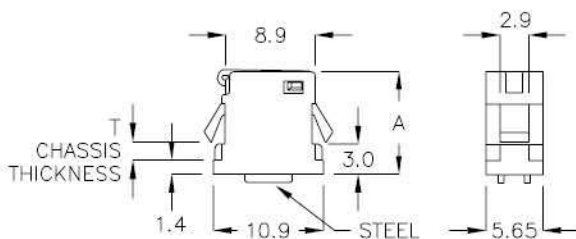
| PART NO | A   | T<br>CHASSIS<br>THICKNESS | PACKAGE |
|---------|-----|---------------------------|---------|
| DLA-01  | 8.4 | 2.0                       | 1000    |



扣具 MAGNET LATCH(磁鐵式)

1-2-2

- MATERIAL: NYLON 66(UL)+STEEL
- FLAME CLASS: 94V-2
- COLOR: BLACK



| PART NO | A    | T<br>CHASSIS<br>THICKNESS | PACKAGE |
|---------|------|---------------------------|---------|
| DLA-02  | 10.2 | 1.9                       | 1000    |

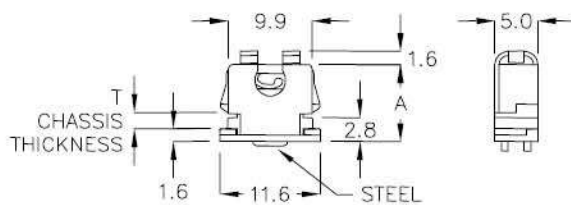
HOLE IN CHASSIS SAME AS DLA-01 (Page 1-2-1)



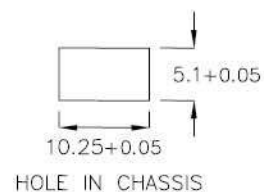
扣具 MAGNET LATCH(磁鐵式)

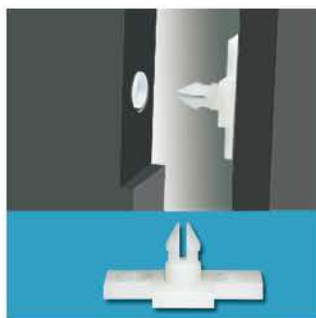
1-2-3

- MATERIAL: NYLON 66(UL)+STEEL
- FLAME CLASS: 94V-2
- COLOR: BLACK



| PART NO | A   | T<br>CHASSIS<br>THICKNESS | PACKAGE |
|---------|-----|---------------------------|---------|
| DLA-03  | 8.9 | 2.0                       | 1000    |





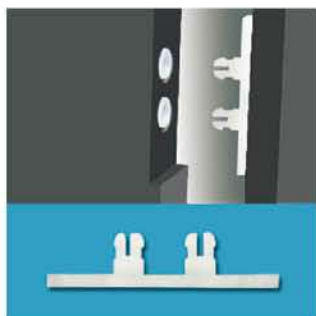
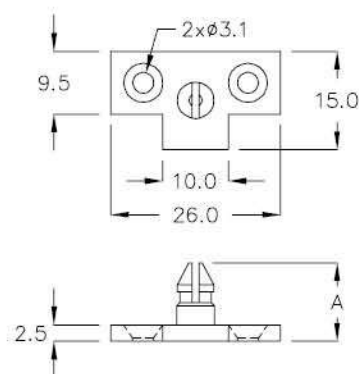
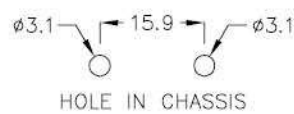
## 扣具 STRIKER

1-3-1

- MATERIAL: NYLON 66(UL)
- FLAME CLASS: 94V-2
- COLOR: NATURAL

| PART NO | A    | PACKAGE |
|---------|------|---------|
| DL-10A  | 12.0 | 500     |

TO BE USED WITH P.G. PART DL-10, DL-10F (Page 1-3-3, 1-3-4)



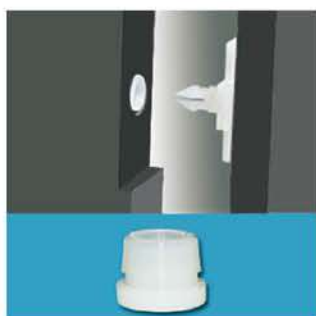
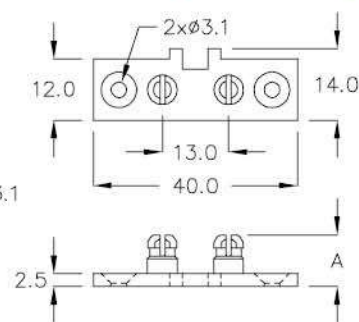
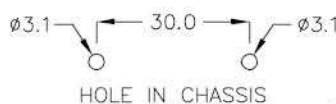
## 扣具 STRIKER

1-3-2

- MATERIAL: NYLON 66(UL)
- FLAME CLASS: 94V-2
- COLOR: NATURAL

| PART NO | A    | PACKAGE |
|---------|------|---------|
| DL-10K  | 10.1 | 500     |

TO BE USED WITH P.G. PART DL-10H (Page 1-4-1)



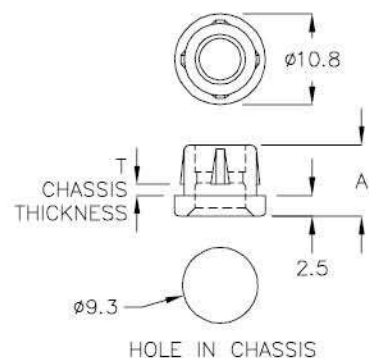
## 扣具 LATCH

1-3-3

- MATERIAL: NYLON 66(UL)
- FLAME CLASS: 94V-2
- COLOR: NATURAL

| PART NO | A   | T<br>CHASSIS<br>THICKNESS | PACKAGE |
|---------|-----|---------------------------|---------|
| DL-10   | 8.5 | 1.4                       | 500     |

TO BE USED WITH P.G. PART DL-10A (Page 1-3-1)



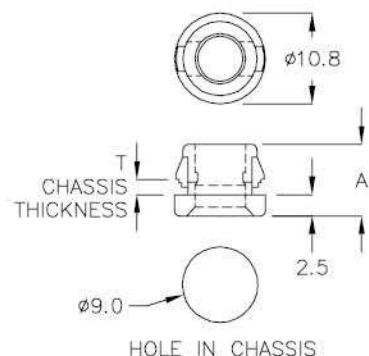
## 扣具 LATCH

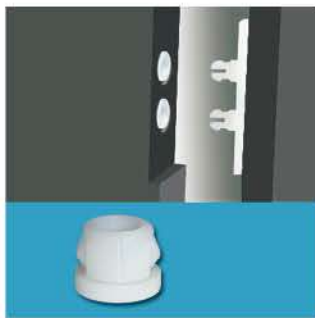
1-3-4

- MATERIAL: NYLON 66(UL)
- FLAME CLASS: 94V-2
- COLOR: NATURAL

| PART NO | A   | T<br>CHASSIS<br>THICKNESS | PACKAGE |
|---------|-----|---------------------------|---------|
| DL-10F  | 8.5 | 1.2~1.6                   | 500     |

TO BE USED WITH P.G. PART DL-10A (Page 1-3-1)

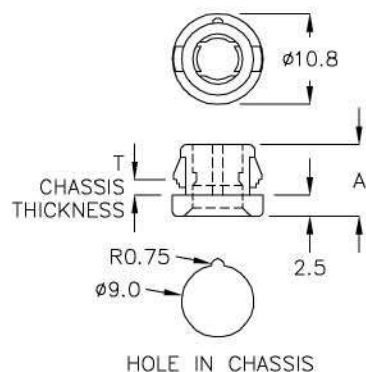




### 扣具 LATCH

1-4-1

- MATERIAL: NYLON 66(UL)
- FLAME CLASS : 94V-2
- COLOR: NATURAL



| PART NO | A   | T<br>CHASSIS<br>THICKNESS | PACKAGE |
|---------|-----|---------------------------|---------|
| DL-10H  | 8.5 | 1.4~1.6                   | 500     |

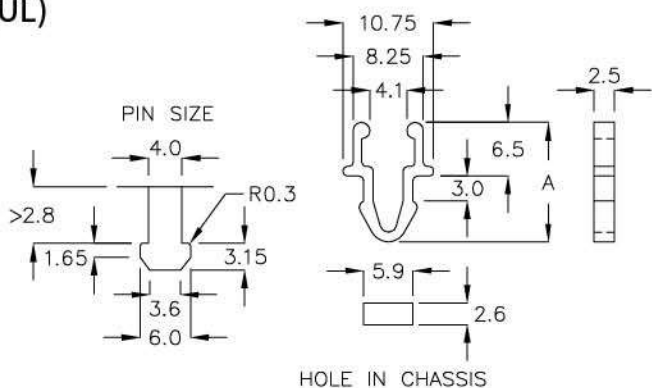
TO BE USED WITH P.G. PART DL-10K (Page 1-3-2)



### 扣具 LATCH

1-4-2

- MATERIAL: NYLON 66(UL)
- FLAME CLASS: 94V-2
- COLOR: BLACK



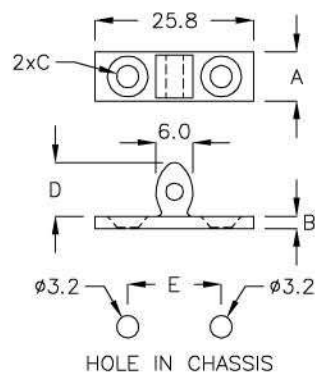
| PART NO | A    | PACKAGE |
|---------|------|---------|
| DL-2    | 14.7 | 1000    |



### 扣具 STRIKER

1-4-3

- MATERIAL: NYLON 66(UL)
- FLAME CLASS: 94V-2
- COLOR: NATURAL



| PART NO | A    | B   | C    | D   | E    | PACKAGE |
|---------|------|-----|------|-----|------|---------|
| DL-008  | 13.0 | 1.5 | φ3.7 | 9.9 | 18.0 | 1000    |
| DL-8DK  | 8.0  | 2.0 | φ3.6 | 8.7 | 15.2 |         |

DL-8DK TO BE USED WITH P.G. PART DL-9DK (Page 1-5-1)

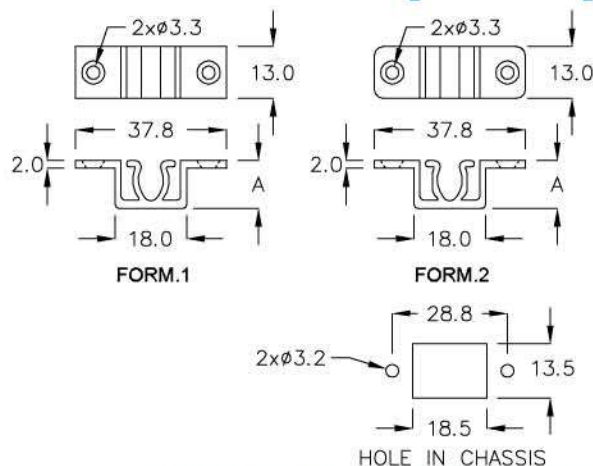
DL-008 TO BE USED WITH P.G. PART DL-009, DL-9KA, DLC-14 (Page 1-4-4, 1-5-2)



### 扣具 LATCH

1-4-4

- MATERIAL: POM(UL)
- FLAME CLASS: 94HB
- COLOR: NATURAL



| PART NO | A    | FORM | PACKAGE |
|---------|------|------|---------|
| DL-009  | 12.1 | 1    | 200     |
| DL-9KA  | 12.0 | 2    |         |

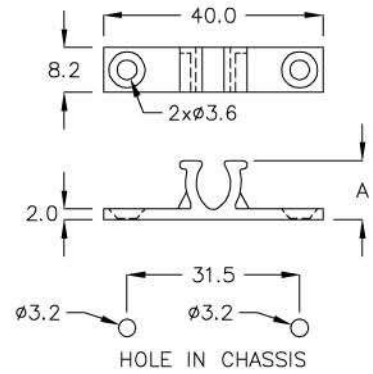
TO BE USED WITH P.G. PART DL-008 (Page 1-4-3)



扣具 LATCH

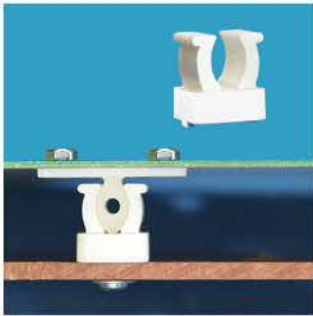
1-5-1

- MATERIAL: POM(UL)
- FLAME CLASS: 94HB
- COLOR: NATURAL
- WITH COUNTERSUNK SCREW



| PART NO | A    | PACKAGE |
|---------|------|---------|
| DL-9DK  | 10.8 | 200     |

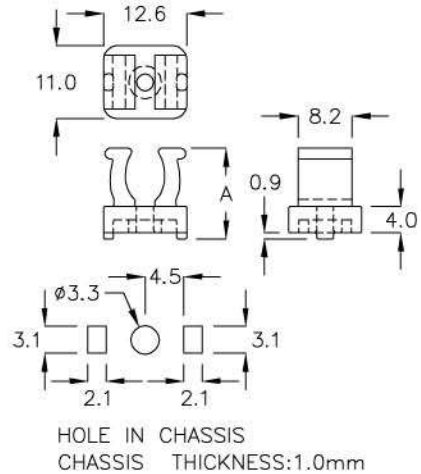
TO BE USED WITH P.G. PART DL-8DK (Page 1-4-3)



扣具 LATCH

1-5-2

- MATERIAL: NYLON 66(UL)
- FLAME CLASS: 94V-2
- COLOR: NATURAL
- USE M3x4 TAPPING SCREW



| PART NO | A    | PACKAGE |
|---------|------|---------|
| DLC-14  | 13.7 | 500     |

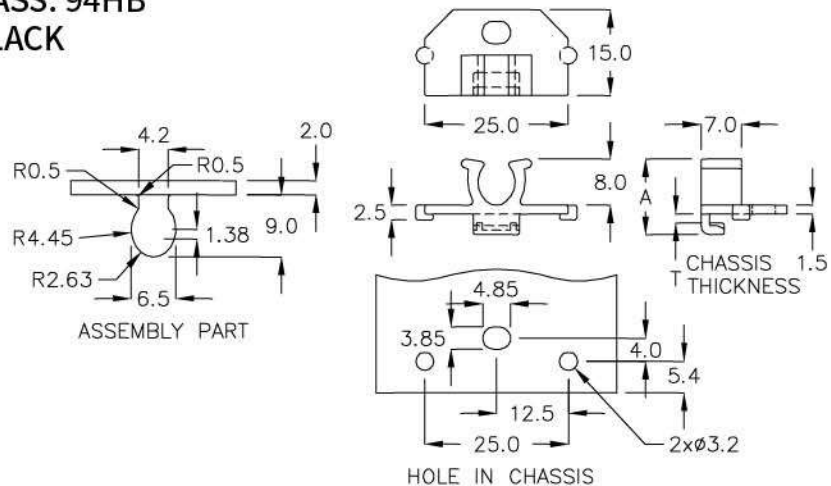
TO BE USED WITH P.G. PART DL-008 (Page 1-4-3)



扣具 LATCH

1-5-3

- MATERIAL: POM
- FLAME CLASS: 94HB
- COLOR: BLACK



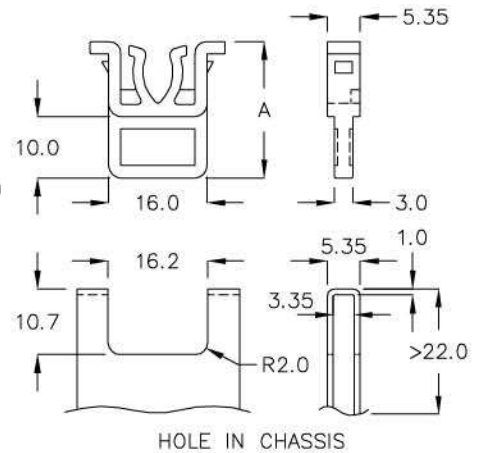
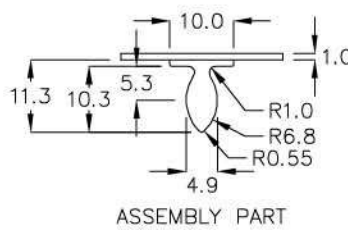
| PART NO | A     | T CHASSIS THICKNESS | PACKAGE |
|---------|-------|---------------------|---------|
| DLM-06  | 13.15 | 1.5                 | 2000    |



| PART NO  | A    | PACKAGE |
|----------|------|---------|
| DLF-22QT | 22.2 | 200     |

### 扣具 LATCH

- MATERIAL: POM(UL)
- FLAME CLASS: 94HB
- COLOR: NATURAL



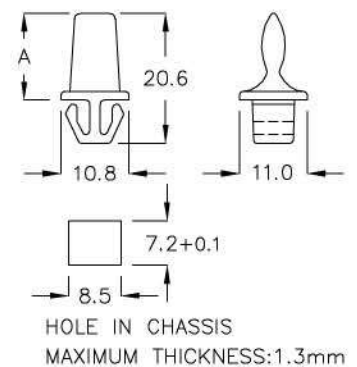
### 1-6-1



| PART NO | A    | PACKAGE |
|---------|------|---------|
| DL-20A  | 13.7 | 500     |

### 扣具 STRIKER

- MATERIAL: POM(UL)
- FLAME CLASS: 94HB
- COLOR: NATURAL



### 1-6-2

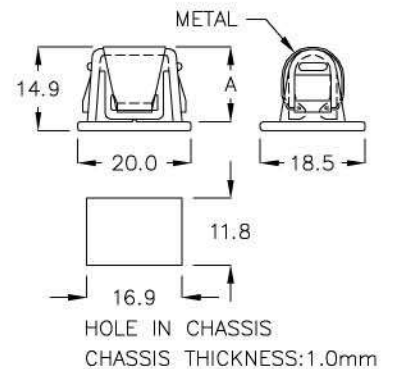
TO BE USED WITH P.G. PART DL-20 (Page 1-6-3)



| PART NO | A    | PACKAGE |
|---------|------|---------|
| DL-20   | 13.2 | 500     |

### 扣具 LATCH

- MATERIAL: NYLON 66(UL)
- FLAME CLASS: 94V-2
- METAL MATERIAL: SK7 BLUE ZINE PLATED
- COLOR: NATURAL



### 1-6-3

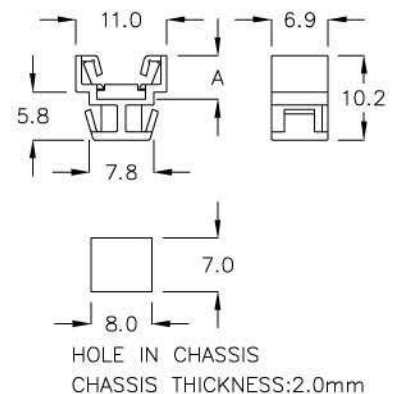
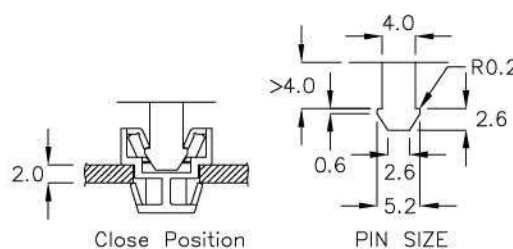
TO BE USED WITH P.G. PART DL-20A (Page 1-6-2)



| PART NO | A   | PACKAGE |
|---------|-----|---------|
| DLB-4A  | 5.3 | 1000    |

### 扣具 LATCH

- MATERIAL: NYLON 66(UL)
- FLAME CLASS: 94V-2
- COLOR: BLACK



### 1-6-4



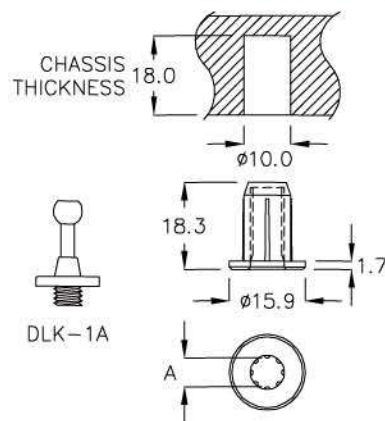
## 扣具 LATCH

1-7-1

- MATERIAL: PP(UL), NYLON 6(UL)
- COLOR: BLACK

| PART NO | MATERIAL | A     | PACKAGE |
|---------|----------|-------|---------|
| DLK-01  | PP V0    | ø6.0  | 500     |
| DLK-02  | N6 V2    | ø5.85 |         |

TO BE USED WITH P.G. MALE PART DLK-1A (Page 1-7-2)



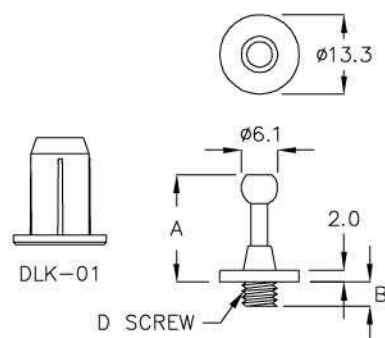
## 扣具 STRIKER

1-7-2

- MATERIAL: NYLON 66(UL)
- FLAME CLASS: 94V-2
- COLOR: BLACK

| PART NO | A    | B   | D SCREW | PACKAGE |
|---------|------|-----|---------|---------|
| DLK-1A  | 18.0 | 4.0 | M6      | 500     |

TO BE USED WITH P.G. FEMALE PART DLK-01, DLK-02 (Page 1-7-1)



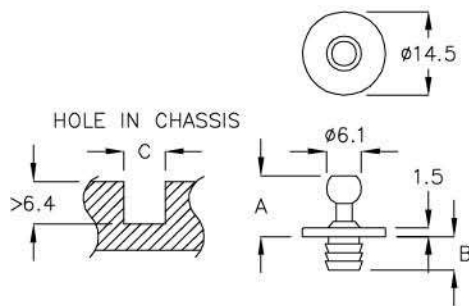
## 扣具 STRIKER

1-7-3

- MATERIAL: NYLON 66(UL)
- FLAME CLASS: 94V-2
- COLOR: BLACK

| PART NO | A    | B   | C HOLE IN CHASSIS | PACKAGE |
|---------|------|-----|-------------------|---------|
| DLK-2A  | 10.6 | 5.8 | ø6.1              | 500     |

TO BE USED WITH P.G. FEMALE PART MPL-02, MPL-04 (Page 1-8-1)



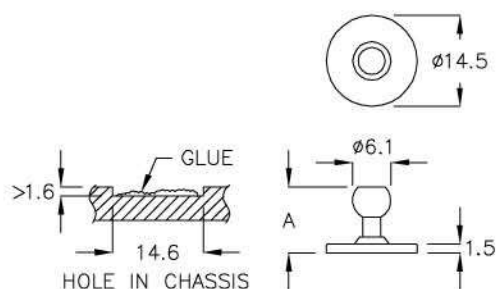
## 扣具 STRIKER

1-7-4

- MATERIAL: NYLON 66(UL)
- FLAME CLASS: 94V-2
- COLOR: BLACK

| PART NO | A    | PACKAGE |
|---------|------|---------|
| DLK-2C  | 10.6 | 500     |

TO BE USED WITH P.G. FEMALE PART MPL-02, MPL-04 (Page 1-8-1)

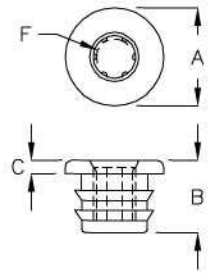
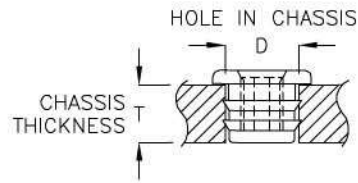




### 固定座 LATCH

- MATERIAL: TPE
- COLOR: BLACK

1-8-1



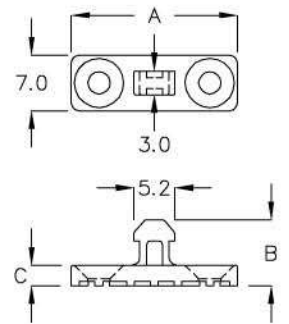
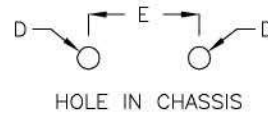
| PART NO | A     | B    | C   | F    | T<br>CHASSIS<br>THICKNESS | D<br>HOLE IN<br>CHASSIS | MATERIAL | PACKAGE |
|---------|-------|------|-----|------|---------------------------|-------------------------|----------|---------|
| MPL-01  | ø15.0 | 10.8 | 1.8 | ø6.0 | 10.0                      | ø10.0                   | TPE 55'  | 500     |
|         |       |      |     |      |                           | ø10.5                   | TPE 70'  |         |
| MPL-02  | ø15.0 | 11.0 | 2.0 | ø5.5 | 10.0                      | ø10.0                   | TPE 55'  |         |
|         |       |      |     |      |                           | ø10.5                   | TPE 70'  |         |
| MPL-04  | ø14.0 | 10.5 | 2.0 | ø5.9 | 9.5                       | ø10.0                   | TPE 55'  |         |
|         |       |      |     |      |                           | ø10.5                   | TPE 70'  |         |



### 扣具 PUSH LATCH STRIKER

- MATERIAL: NYLON 66(UL)
- FLAME CLASS: 94V-2
- COLOR: BLACK
- WITH COUNTERSUNK SCREW

1-8-2



| PART NO | A    | B   | C   | D    | E    | SUITABLE PUSH LATCH<br>WITH P.G. PART | PACKAGE |
|---------|------|-----|-----|------|------|---------------------------------------|---------|
| DL-03C  | 21.0 | 8.3 | 2.6 | ø2.8 | 14.0 | DL-150C, DL-400D                      | 1000    |

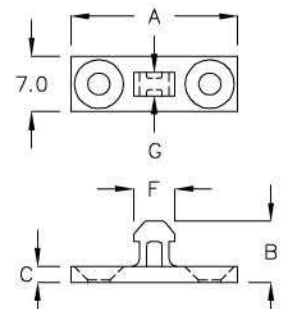
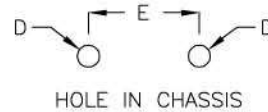
TO BE USED WITH P.G. PART DL-SERIES (Page 1-12-3, 1-13-2)



### 扣具 PUSH LATCH STRIKER

- MATERIAL: NYLON 66(UL)
- FLAME CLASS: 94V-2
- COLOR: BLACK
- WITH COUNTERSUNK SCREW

1-8-3



| PART NO   | A    | B    | C   | D    | E    | F   | G   | SUITABLE PUSH LATCH<br>WITH P.G. PART | PACKAGE |
|-----------|------|------|-----|------|------|-----|-----|---------------------------------------|---------|
| DL-001    | 25.0 | 10.1 | 2.1 | ø3.2 | 15.0 | 5.2 | 3.0 | DL-100B, DL-400D                      | 1000    |
| DL-003    | 21.0 | 7.7  | 2.0 | ø2.8 | 14.0 | 5.2 | 3.0 | DL-100C, DL-150C<br>DL-400D           |         |
| ★ DL-07SK | 25.0 | 10.1 | 2.1 | 15.0 | ø3.2 | 5.7 | 3.3 | DL-700F                               |         |

TO BE USED WITH P.G. PART DL-SERIES (Page 1-12, 1-13-2, 1-14-1)

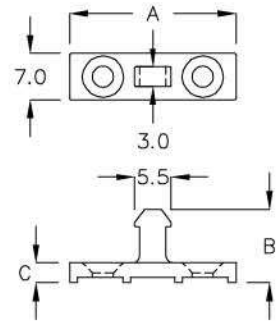
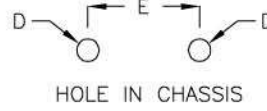




### 扣具 PUSH LATCH STRIKER

1-9-1

- MATERIAL: NYLON 66(UL)
- FLAME CLASS: 94V-2
- COLOR: BLACK
- WITH COUNTERSUNK SCREW



| PART NO | A    | B    | C   | D    | E    | SUITABLE PUSH LATCH WITH P.C. PART   | PACKAGE |
|---------|------|------|-----|------|------|--------------------------------------|---------|
| DL-002  | 25.0 | 11.0 | 3.0 | ∅3.2 | 15.0 | DL-100A, DL-100C<br>DL-150C, DL-400D | 1000    |

TO BE USED WITH P.G. PART DL-SERIES (Page 1-11-2, 1-12-2, 1-12-3, 1-13-2)

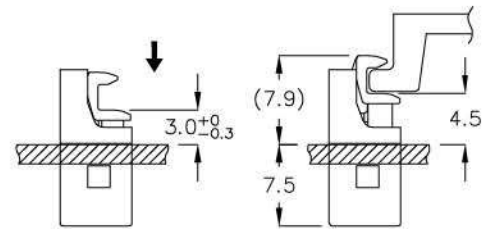


### 門扣 PUSH LATCH

1-9-2

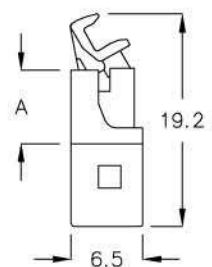
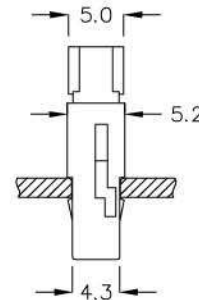
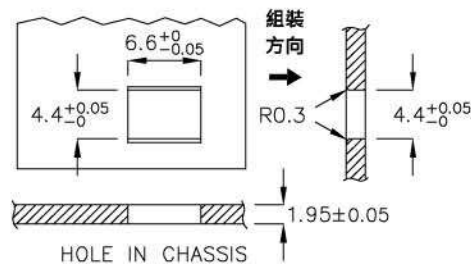
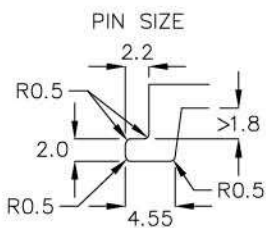
- MATERIAL: NYLON 66(UL),PC(UL)
- FLAME CLASS: 94V-2
- COLOR: BLACK
- MATERIAL: STEEL,SPRING

| PART NO | A    | PACKAGE |
|---------|------|---------|
| DL-250  | 6.65 | 1000    |



夾子欲下壓產生扣住功能時  
行程距離卡板頂端衝程  
3.0mm  
Maximum Push-IN Position

夾子扣住時  
夾子頂端位置  
距離卡板頂端  
4.5mm  
Close Position



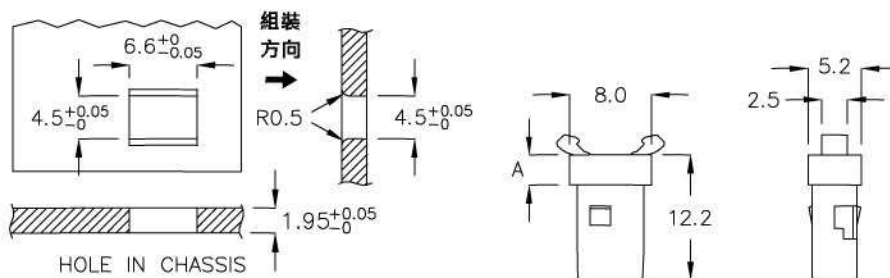
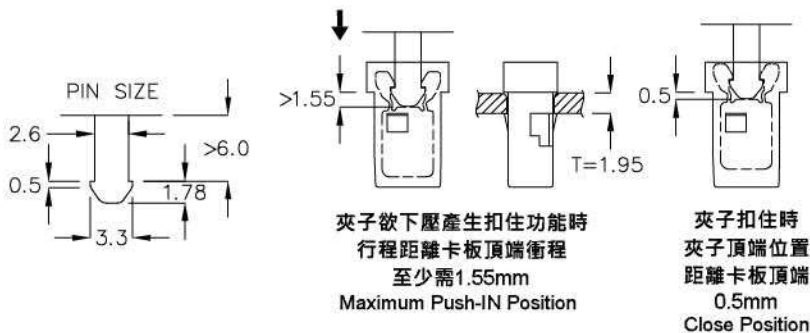


| PART NO | A    | PACKAGE |
|---------|------|---------|
| DL-220C | 2.95 | 2000    |

### 門扣 PUSH LATCH

1-10-1

- MATERIAL: NYLON 66(UL),PC(UL)
- FLAME CLASS: 94V-2
- COLOR: BLACK
- MATERIAL: STEEL,SPRING

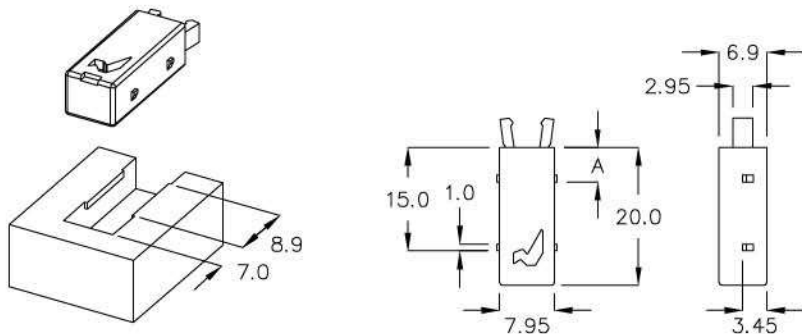
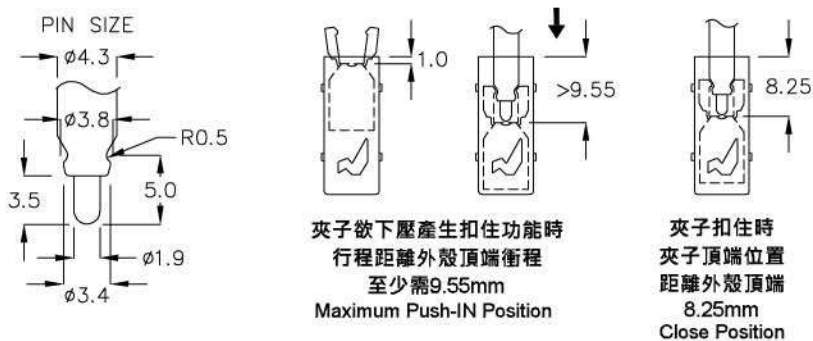


| PART NO | A   | PACKAGE |
|---------|-----|---------|
| DL-550  | 5.0 | 1000    |

### 門扣 PUSH LATCH

1-10-2

- MATERIAL: NYLON 66(UL),PC(UL)
- FLAME CLASS: 94V-2
- COLOR: BLACK
- MATERIAL: POM,SPRING



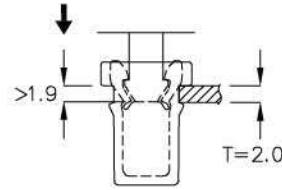
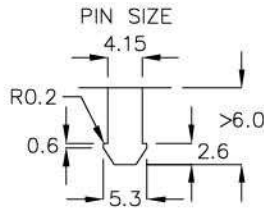


### 門扣 PUSH LATCH

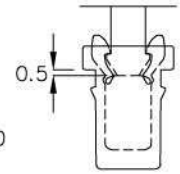
1-11-1

- MATERIAL: NYLON 66(UL),PC(UL)
- FLAME CLASS: 94V-2
- COLOR: BLACK
- MATERIAL: STEEL,SPRING

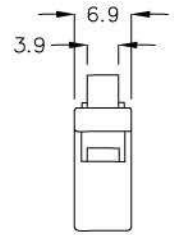
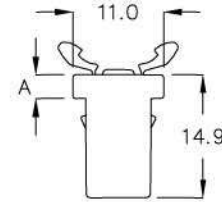
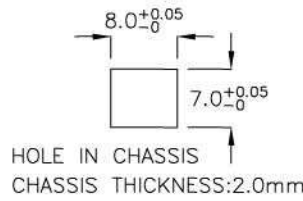
| PART NO | A   | PACKAGE |
|---------|-----|---------|
| DL-650C | 2.9 | 1000    |



夾子欲下壓產生扣住功能時  
行程距離卡板頂端衝程  
至少需1.9mm  
Maximum Push-IN Position



夾子扣住時  
夾子頂端位置  
距離卡板頂端  
0.5mm  
Close Position

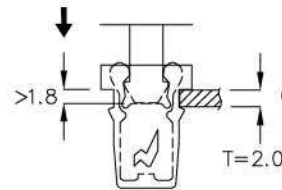
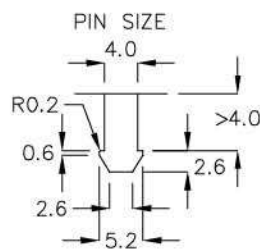


### 門扣 PUSH LATCH

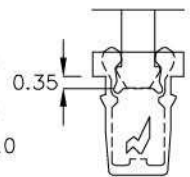
1-11-2

- MATERIAL: NYLON 66(UL),PC(UL)
- FLAME CLASS: 94V-2
- COLOR: BLACK,GRAY
- MATERIAL: POM,SPRING

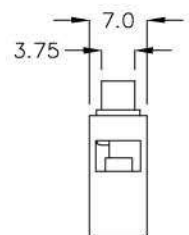
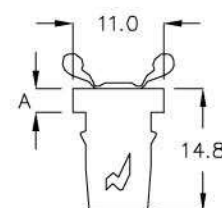
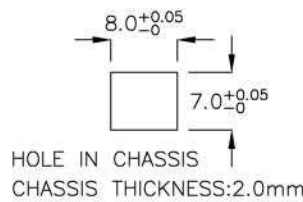
| PART NO | A   | PACKAGE |
|---------|-----|---------|
| DL-100A | 2.9 | 1000    |



夾子欲下壓產生扣住功能時  
行程距離卡板頂端衝程  
至少需1.8mm  
Maximum Push-IN Position



夾子扣住時  
夾子頂端位置  
距離卡板頂端  
0.35mm  
Close Position

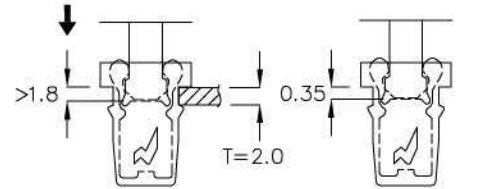
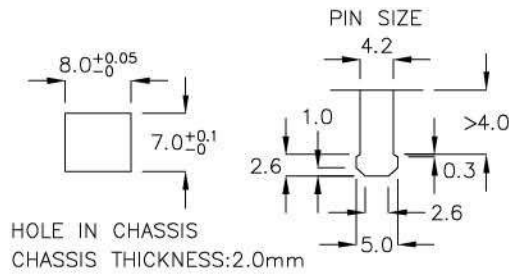




| PART NO | A   | PACKAGE |
|---------|-----|---------|
| DL-100B | 2.9 | 1000    |

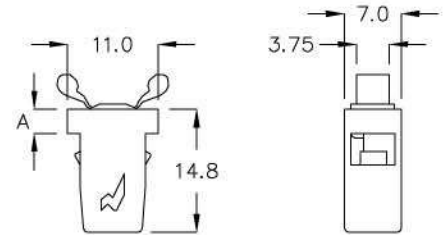
### 門扣 PUSH LATCH

- MATERIAL: NYLON 66(UL),PC(UL)
- FLAME CLASS: 94V-2
- COLOR: BLACK
- MATERIAL: POM,SPRING



夾子欲下壓產生扣住功能時  
行程距離卡板頂端衝程  
至少需1.8mm  
Maximum Push-IN Position

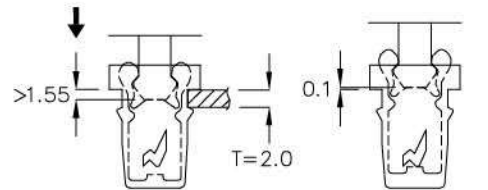
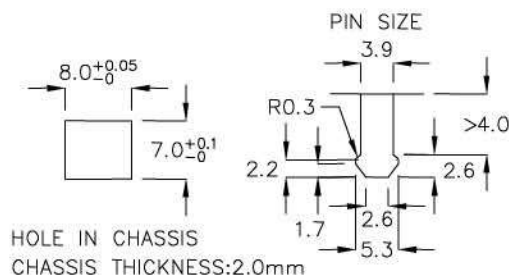
夾子扣住時  
夾子頂端位置  
距離卡板頂端  
0.35mm  
Close Position



| PART NO | A   | PACKAGE |
|---------|-----|---------|
| DL-100C | 2.9 | 1000    |

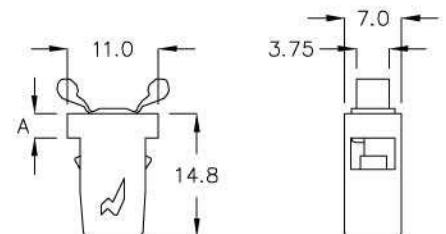
### 門扣 PUSH LATCH

- MATERIAL: NYLON 66(UL),PC(UL)
- FLAME CLASS: 94V-2
- COLOR: BLACK
- MATERIAL: POM,SPRING



夾子欲下壓產生扣住功能時  
行程距離卡板頂端衝程  
至少需1.55mm  
Maximum Push-IN Position

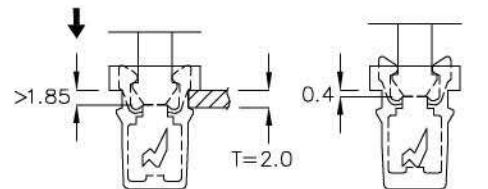
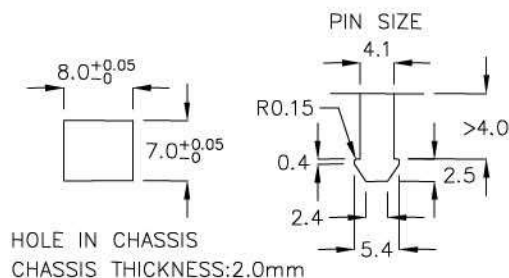
夾子扣住時  
夾子頂端位置  
距離卡板頂端  
0.1mm  
Close Position



| PART NO | A   | PACKAGE |
|---------|-----|---------|
| DL-150C | 2.9 | 1000    |

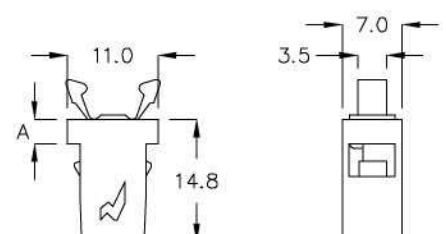
### 門扣 PUSH LATCH

- MATERIAL: NYLON 66(UL),PC(UL)
- FLAME CLASS: 94V-2
- COLOR: BLACK
- MATERIAL: POM,SPRING



夾子欲下壓產生扣住功能時  
行程距離卡板頂端衝程  
至少需1.8mm  
Maximum Push-IN Position

夾子扣住時  
夾子頂端位置  
距離卡板頂端  
0.4mm  
Close Position



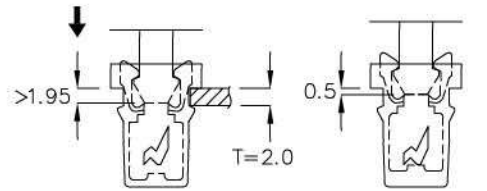
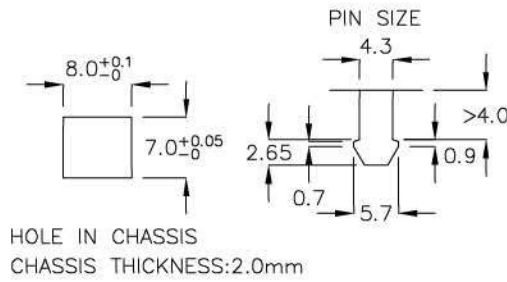


### 門扣 PUSH LATCH

1-13-1

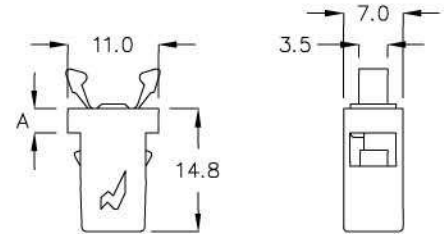
- MATERIAL: NYLON 66(UL),PC(UL)
- FLAME CLASS: 94V-2
- COLOR: BLACK
- MATERIAL: POM,SPRING

| PART NO | A   | PACKAGE |
|---------|-----|---------|
| DL-150F | 2.9 | 1000    |



夾子欲下壓產生扣住功能時  
行程距離卡板頂端衝程  
至少需1.95mm  
Maximum Push-IN Position

夾子扣住時  
夾子頂端位置  
距離卡板頂端  
0.5mm  
Close Position



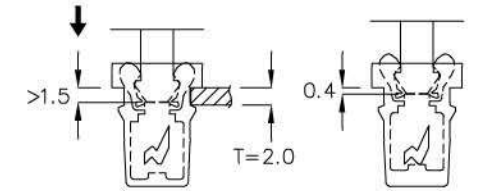
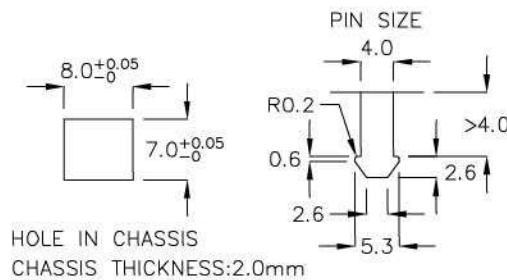
### 門扣 PUSH LATCH

1-13-2

- MATERIAL: NYLON 66(UL),PC(UL)
- FLAME CLASS: 94V-2
- COLOR: BLACK,GRAY
- MATERIAL: POM,SPRING

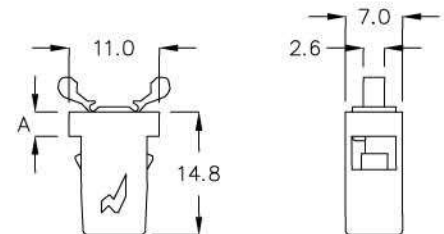


| PART NO | A   | PACKAGE |
|---------|-----|---------|
| DL-400D | 3.1 | 1000    |



夾子欲下壓產生扣住功能時  
行程距離卡板頂端衝程  
至少需1.5mm  
Maximum Push-IN Position

夾子扣住時  
夾子頂端位置  
距離卡板頂端  
0.4mm  
Close Position



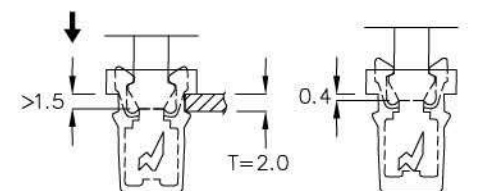
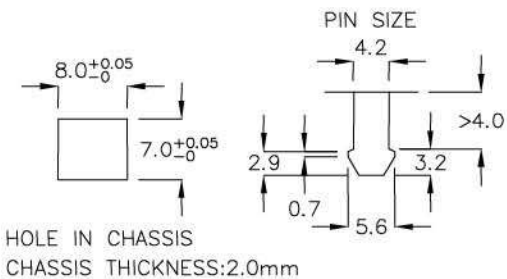
### 門扣 PUSH LATCH

1-13-3

- MATERIAL: NYLON 66(UL),PC(UL)
- FLAME CLASS: 94V-2
- COLOR: BLACK
- MATERIAL: POM,SPRING

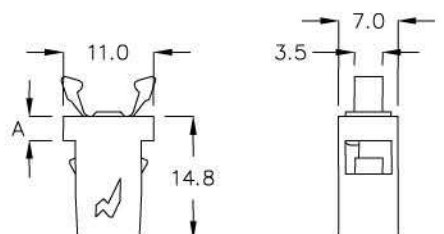


| PART NO | A   | PACKAGE |
|---------|-----|---------|
| DL-400H | 3.1 | 1000    |



夾子欲下壓產生扣住功能時  
行程距離卡板頂端衝程  
至少需1.5mm  
Maximum Push-IN Position

夾子扣住時  
夾子頂端位置  
距離卡板頂端  
0.4mm  
Close Position



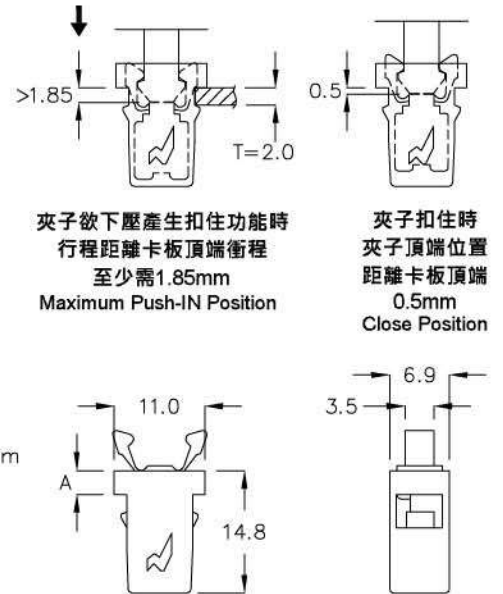
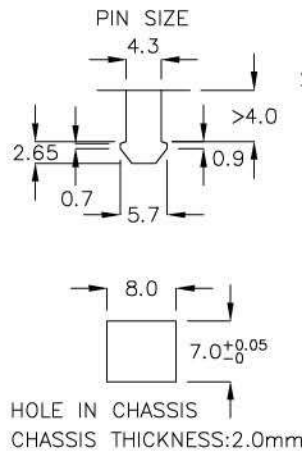


門扣 PUSH LATCH

1-14-1

- MATERIAL: NYLON 66(UL),PC(UL)
- FLAME CLASS: 94V-2
- COLOR: BLACK
- MATERIAL: POM,SPRING

| PART NO | A   | PACKAGE |
|---------|-----|---------|
| DL-700F | 2.9 | 1000    |

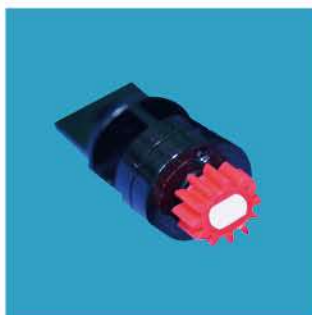
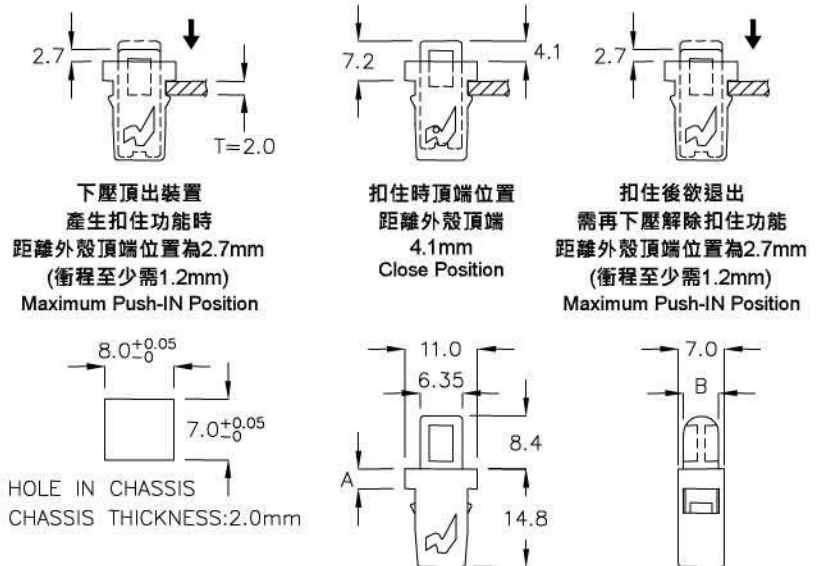


門扣 PUSH LATCH

1-14-2

- MATERIAL: NYLON 66(UL),PC(UL)
- FLAME CLASS: 94V-2
- COLOR: BLACK,GRAY
- MATERIAL: POM,SPRING

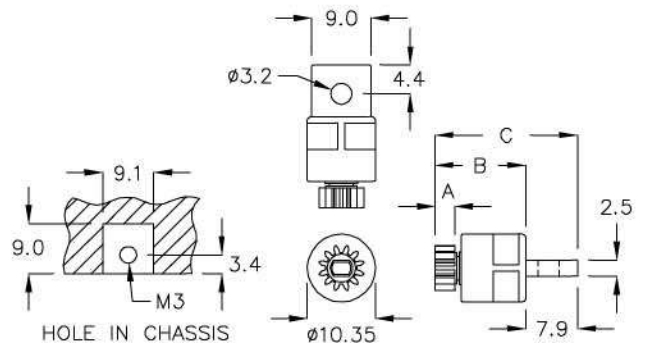
| PART NO | A   | B    | PACKAGE |
|---------|-----|------|---------|
| DL-400P | 3.1 | 5.25 | 1000    |



塑膠阻尼器 ROTARY DAMPER

1-14-3

- MATERIAL: PC(UL)
- FLAME CLASS: 94V-2
- MATERIAL: POM
- FLAME CLASS: 94HB
- COLOR: BLACK



| PART NO | PITCH DIAMETER | MODULE | TOOTH NUMBER | PRESSURE ANGLE | A   | B    | C    | TORQUE (gf-cm) | PACKAGE |
|---------|----------------|--------|--------------|----------------|-----|------|------|----------------|---------|
| PG-10   | φ6.0           | 0.5    | 12           | 20°            | 3.0 | 13.8 | 21.7 | 10~30          | 500     |

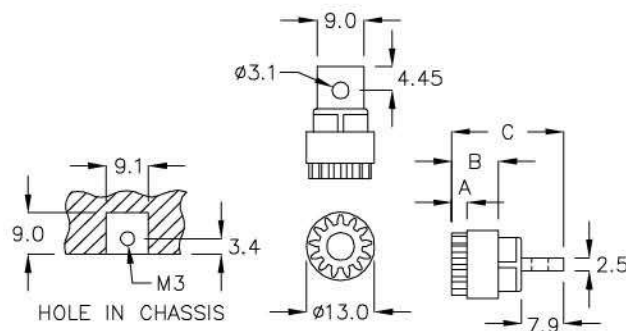
TORQUE VALVE CAN BE CUSTOMIZED PER CUSTOMERS' DEMAND



### 塑膠阻尼器 ROTARY DAMPER

1-15-1

- MATERIAL: ABS(UL)
- FLAME CLASS: 94HB
- MATERIAL: POM
- FLAME CLASS: 94HB
- COLOR: BLACK



| PART NO | PITCH DIAMETER | MODULE | TOOTH NUMBER | PRESSURE ANGLE | A   | B   | C    | TORQUE (gf-cm) | PACKAGE |
|---------|----------------|--------|--------------|----------------|-----|-----|------|----------------|---------|
| PG-01K  | φ8.8           | 0.8    | 11           | 20°            | 3.0 | 8.8 | 21.7 | 23,38,63       | 500     |
| PG-01A  | φ10.4          | 0.8    | 13           | 20°            | 3.2 | 9.1 | 21.9 |                |         |

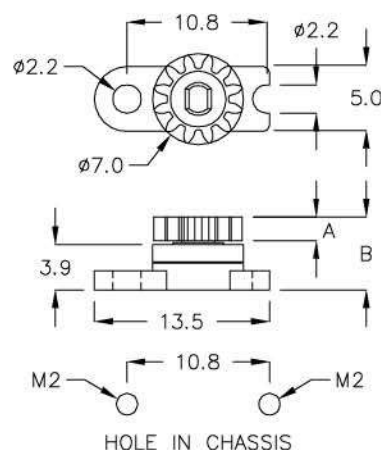
TORQUE VALVE CAN BE CUSTOMIZED PER CUSTOMERS' DEMAND



### 塑膠阻尼器 ROTARY DAMPER

1-15-2

- MATERIAL: PC(UL)
- FLAME CLASS: 94V-2
- MATERIAL: POM
- FLAME CLASS: 94HB
- COLOR: BLACK



| PART NO | PITCH DIAMETER | MODULE | TOOTH NUMBER | PRESSURE ANGLE | A   | B   | TORQUE (gf-cm) | PACKAGE |
|---------|----------------|--------|--------------|----------------|-----|-----|----------------|---------|
| PG-04K  | φ6.0           | 0.5    | 12           | 20°            | 1.8 | 5.7 | 7~30           | 1000    |

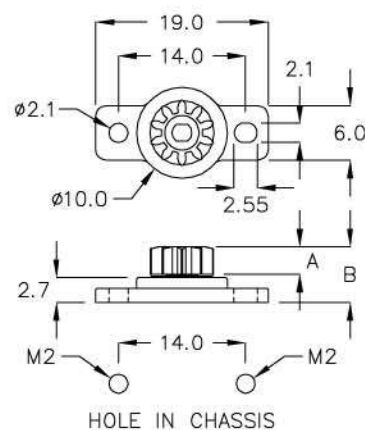
TORQUE VALVE CAN BE CUSTOMIZED PER CUSTOMERS' DEMAND



### 塑膠阻尼器 ROTARY DAMPER

1-15-3

- MATERIAL: PC(UL)
- FLAME CLASS: 94V-2
- MATERIAL: POM
- FLAME CLASS: 94HB
- COLOR: BLACK



| PART NO | PITCH DIAMETER | MODULE | TOOTH NUMBER | PRESSURE ANGLE | A   | B   | TORQUE (gf-cm) | PACKAGE |
|---------|----------------|--------|--------------|----------------|-----|-----|----------------|---------|
| PG-07S  | φ6.0           | 0.6    | 10           | 20°            | 3.0 | 6.1 | 10~75          | 1000    |

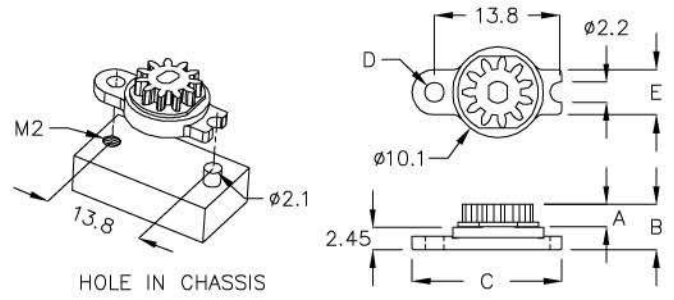
TORQUE VALVE CAN BE CUSTOMIZED PER CUSTOMERS' DEMAND



**塑膠阻尼器 ROTARY DAMPER**

1-16-1

- MATERIAL: ABS,POM
- FLAME CLASS: 94HB
- COLOR: BLACK



| PART NO | PITCH DIAMETER | MODULE | TOOTH NUMBER | PRESSURE ANGLE | A    | B   | C    | D     | E   | TORQUE (gf-cm) | PACKAGE |
|---------|----------------|--------|--------------|----------------|------|-----|------|-------|-----|----------------|---------|
| PG-7MK  | ø6.6           | 0.6    | 11           | 20°            | 2.45 | 5.1 | 16.5 | ø2.15 | 5.0 | 15,25          | 1000    |
| PG-7CN  | ø6.6           | 0.6    | 11           | 20°            | 3.45 | 6.1 | 16.5 | ø2.15 | 5.0 | 45,60          |         |

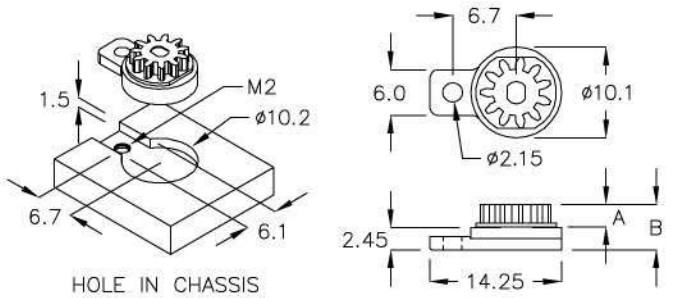
TORQUE VALVE CAN BE CUSTOMIZED PER CUSTOMERS' DEMAND



**塑膠阻尼器 ROTARY DAMPER**

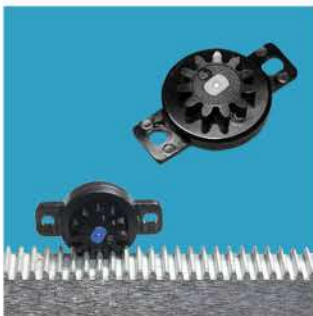
1-16-2

- MATERIAL: ABS,POM
- FLAME CLASS: 94HB
- COLOR: BLACK



| PART NO | PITCH DIAMETER | MODULE | TOOTH NUMBER | PRESSURE ANGLE | A    | B   | TORQUE (gf-cm) | PACKAGE |
|---------|----------------|--------|--------------|----------------|------|-----|----------------|---------|
| PG-7BP  | ø6.6           | 0.6    | 11           | 20°            | 2.45 | 5.1 | 15,25,45,60    | 1000    |

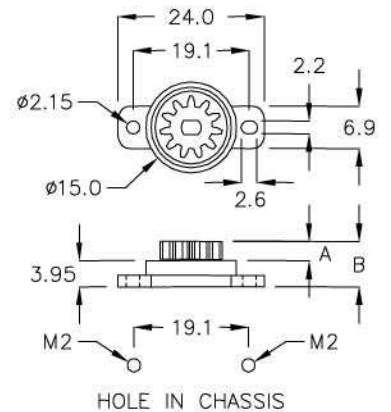
TORQUE VALVE CAN BE CUSTOMIZED PER CUSTOMERS' DEMAND



**塑膠阻尼器 ROTARY DAMPER**

1-16-3

- MATERIAL: ABS(UL)
- FLAME CLASS: 94HB
- MATERIAL: POM
- FLAME CLASS: 94HB
- COLOR: BLACK



| PART NO | PITCH DIAMETER | MODULE | TOOTH NUMBER | PRESSURE ANGLE | A    | B   | TORQUE (gf-cm) | PACKAGE |
|---------|----------------|--------|--------------|----------------|------|-----|----------------|---------|
| PG-3AS  | ø8.8           | 0.8    | 11           | 20°            | 3.55 | 7.5 | 15             | 500     |
| PG-3MS  | ø10.4          | 0.8    | 13           | 20°            | 3.55 | 7.5 |                |         |

TORQUE VALVE CAN BE CUSTOMIZED PER CUSTOMERS' DEMAND

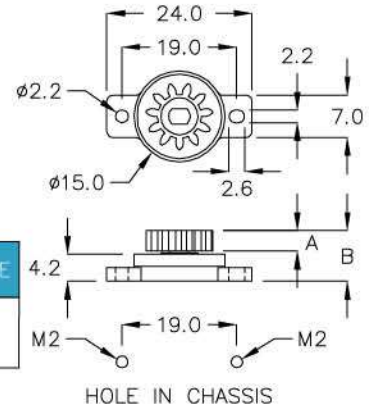




**塑膠阻尼器 ROTARY DAMPER**

**1-17-1**

- MATERIAL: PC(UL)
- FLAME CLASS: 94V-2
- MATERIAL: POM
- FLAME CLASS: 94HB
- COLOR: BLACK



| PART NO | PITCH DIAMETER | MODULE | TOOTH NUMBER | PRESSURE ANGLE | A   | B   | TORQUE (gf-cm)  | PACKAGE |
|---------|----------------|--------|--------------|----------------|-----|-----|-----------------|---------|
| PG-13   | ø8.8           | 0.8    | 11           | 20°            | 3.0 | 7.7 | 45,70,100,130   | 500     |
| PG-13M  | ø10.4          | 0.8    | 13           | 20°            | 3.0 | 7.7 | 150,200,230,270 | 500     |

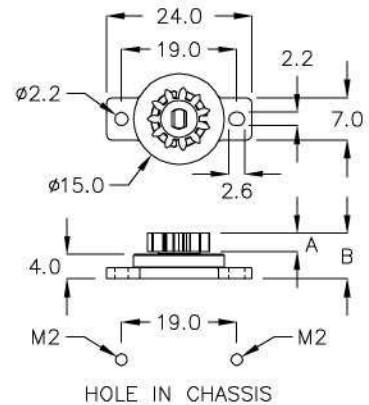
TORQUE VALVE CAN BE CUSTOMIZED PER CUSTOMERS' DEMAND



**塑膠阻尼器 ROTARY DAMPER**

**1-17-2**

- MATERIAL: PC(UL)
- FLAME CLASS: 94V-2
- MATERIAL: POM
- FLAME CLASS: 94HB
- COLOR: BLACK



| PART NO | PITCH DIAMETER | MODULE | TOOTH NUMBER | PRESSURE ANGLE | A   | B   | TORQUE (gf-cm) | PACKAGE |
|---------|----------------|--------|--------------|----------------|-----|-----|----------------|---------|
| PG-13QR | ø8.8           | 0.8    | 11           | 20°            | 3.0 | 7.5 | 15~175         | 500     |
| PG-13YP | ø10.4          | 0.8    | 13           | 20°            | 3.0 | 7.5 |                |         |

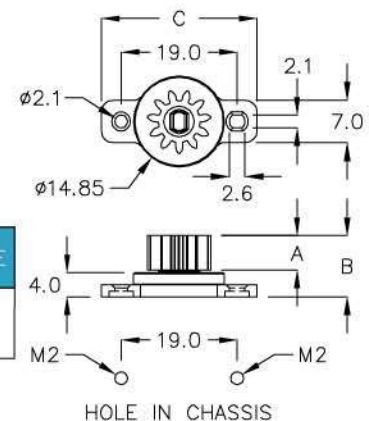
TORQUE VALVE CAN BE CUSTOMIZED PER CUSTOMERS' DEMAND



**塑膠阻尼器 ROTARY DAMPER**

**1-17-3**

- MATERIAL: PC(UL)
- FLAME CLASS: 94V-2
- MATERIAL: POM
- FLAME CLASS: 94HB
- COLOR: BLACK



| PART NO | PITCH DIAMETER | MODULE | TOOTH NUMBER | PRESSURE ANGLE | A   | B    | C    | TORQUE (gf-cm) | PACKAGE |
|---------|----------------|--------|--------------|----------------|-----|------|------|----------------|---------|
| PG-13DF | ø8.8           | 0.8    | 11           | 20°            | 5.6 | 10.0 | 24.0 | 40~280         | 500     |
| PG-13HJ | ø8.8           | 0.8    | 11           | 20°            | 5.6 | 10.0 | 25.5 |                |         |

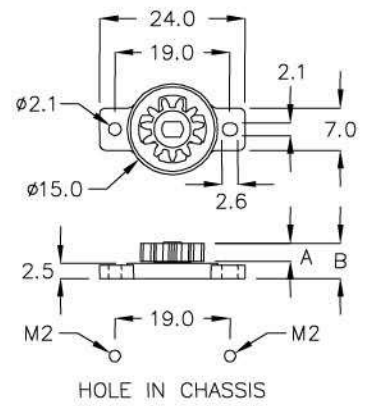
TORQUE VALVE CAN BE CUSTOMIZED PER CUSTOMERS' DEMAND



### 塑膠阻尼器 ROTARY DAMPER

1-18-1

- MATERIAL: PC(UL)
- FLAME CLASS: 94V-2
- MATERIAL: POM
- FLAME CLASS: 94HB
- COLOR: BLACK



| PART NO | PITCH DIAMETER | MODULE | TOOTH NUMBER | PRESSURE ANGLE | A   | B    | TORQUE (gf-cm) | PACKAGE |
|---------|----------------|--------|--------------|----------------|-----|------|----------------|---------|
| PG-13PC | ø8.8           | 0.8    | 11           | 20°            | 3.0 | 6.15 | 45~155         | 500     |
| PG-13PL | ø10.4          | 0.8    | 13           | 20°            | 3.0 | 6.15 |                |         |

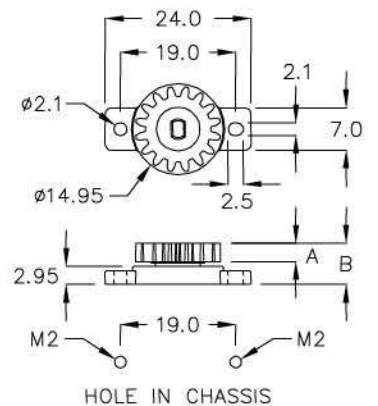
TORQUE VALVE CAN BE CUSTOMIZED PER CUSTOMERS' DEMAND



### 塑膠阻尼器 ROTARY DAMPER

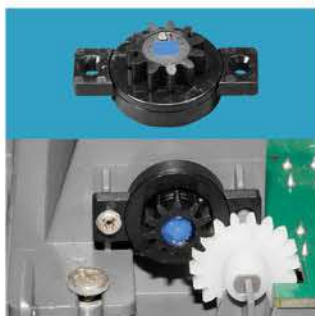
1-18-2

- MATERIAL: PC(UL)
- FLAME CLASS: 94V-2
- MATERIAL: POM
- FLAME CLASS: 94HB
- COLOR: BLACK



| PART NO | PITCH DIAMETER | MODULE | TOOTH NUMBER | PRESSURE ANGLE | A   | B   | TORQUE (gf-cm) | PACKAGE |
|---------|----------------|--------|--------------|----------------|-----|-----|----------------|---------|
| PG-21   | ø12.8          | 0.8    | 16           | 20°            | 3.0 | 6.8 | 12,25          | 500     |

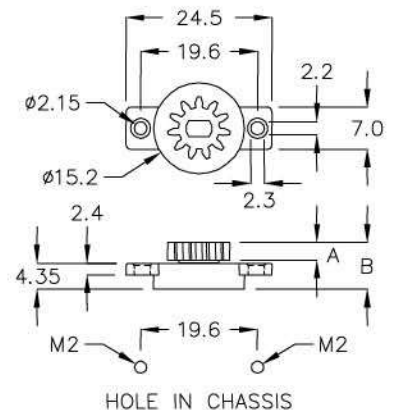
TORQUE VALVE CAN BE CUSTOMIZED PER CUSTOMERS' DEMAND



### 塑膠阻尼器 ROTARY DAMPER

1-18-3

- MATERIAL: ABS(UL)
- FLAME CLASS: 94HB
- MATERIAL: POM
- FLAME CLASS: 94HB
- COLOR: BLACK



| PART NO | PITCH DIAMETER | MODULE | TOOTH NUMBER | PRESSURE ANGLE | A   | B    | TORQUE (gf-cm) | PACKAGE |
|---------|----------------|--------|--------------|----------------|-----|------|----------------|---------|
| PG-8CS  | ø8.8           | 0.8    | 11           | 20°            | 3.0 | 7.85 | 15,45          | 500     |
| PG-8FS  | ø10.4          | 0.8    | 13           | 20°            | 3.0 | 7.85 | 100,130        |         |

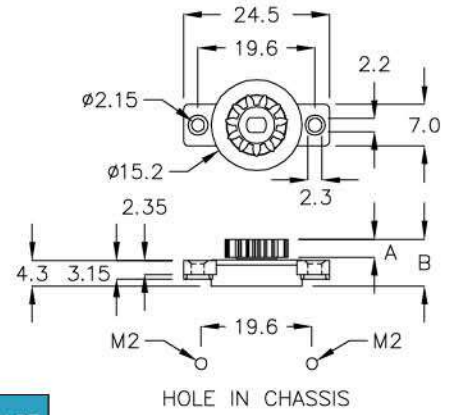
TORQUE VALVE CAN BE CUSTOMIZED PER CUSTOMERS' DEMAND



**塑膠阻尼器 ROTARY DAMPER**

**1-19-1**

- MATERIAL: PC(UL)
- FLAME CLASS: 94V-2
- MATERIAL: POM
- FLAME CLASS: 94HB
- COLOR: BLACK



| PART NO | PITCH DIAMETER | MODULE | TOOTH NUMBER | PRESSURE ANGLE | A   | B   | TORQUE (gf-cm) | PACKAGE |
|---------|----------------|--------|--------------|----------------|-----|-----|----------------|---------|
| PG-08H  | ø8.8           | 0.8    | 11           | 20°            | 3.0 | 7.8 | 60,110,190     | 500     |

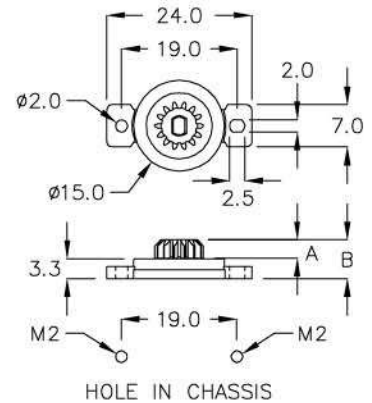
TORQUE VALVE CAN BE CUSTOMIZED PER CUSTOMERS' DEMAND



**塑膠阻尼器 ROTARY DAMPER**

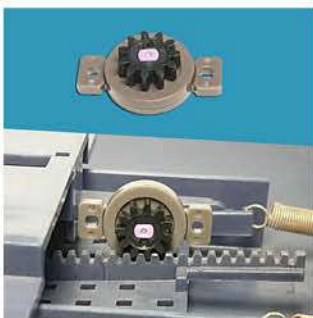
**1-19-2**

- MATERIAL: PC(UL)
- FLAME CLASS: 94V-2
- MATERIAL: POM
- FLAME CLASS: 94HB
- COLOR: GRAY



| PART NO | PITCH DIAMETER | MODULE | TOOTH NUMBER | PRESSURE ANGLE | A   | B   | TORQUE (gf-cm) | PACKAGE |
|---------|----------------|--------|--------------|----------------|-----|-----|----------------|---------|
| PG-15   | ø7.0           | 0.5    | 14           | 20°            | 3.0 | 6.4 | 25~110         | 500     |

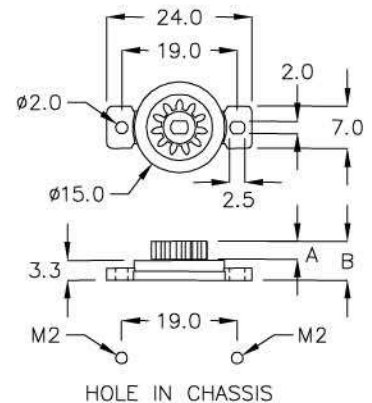
TORQUE VALVE CAN BE CUSTOMIZED PER CUSTOMERS' DEMAND



**塑膠阻尼器 ROTARY DAMPER**

**1-19-3**

- MATERIAL: PC(UL)
- FLAME CLASS: 94V-2
- MATERIAL: POM
- FLAME CLASS: 94HB
- COLOR: GRAY



| PART NO | PITCH DIAMETER | MODULE | TOOTH NUMBER | PRESSURE ANGLE | A   | B   | TORQUE (gf-cm) | PACKAGE |
|---------|----------------|--------|--------------|----------------|-----|-----|----------------|---------|
| PG-15A  | ø8.8           | 0.8    | 11           | 20°            | 3.0 | 6.4 | 25~110         | 500     |

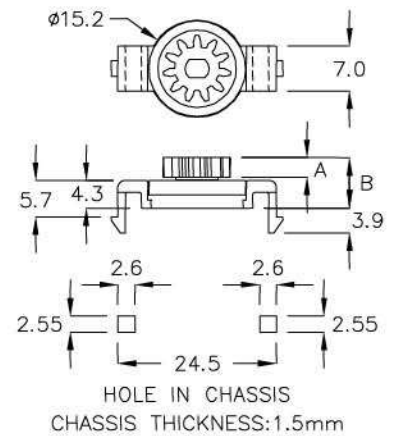
TORQUE VALVE CAN BE CUSTOMIZED PER CUSTOMERS' DEMAND



塑膠阻尼器 ROTARY DAMPER

1-20-1

- MATERIAL: ABS(UL)
- FLAME CLASS: 94HB
- MATERIAL: POM
- FLAME CLASS: 94HB
- COLOR: BLACK



| PART NO | PITCH DIAMETER | MODULE | TOOTH NUMBER | PRESSURE ANGLE | A   | B   | TORQUE (gf-cm) | PACKAGE |
|---------|----------------|--------|--------------|----------------|-----|-----|----------------|---------|
| PG-8AS  | ø8.8           | 0.8    | 11           | 20°            | 3.0 | 8.0 | 15,45          | 500     |
| PG-8MS  | ø10.4          | 0.8    | 13           | 20°            | 3.0 | 8.0 | 100,130        |         |

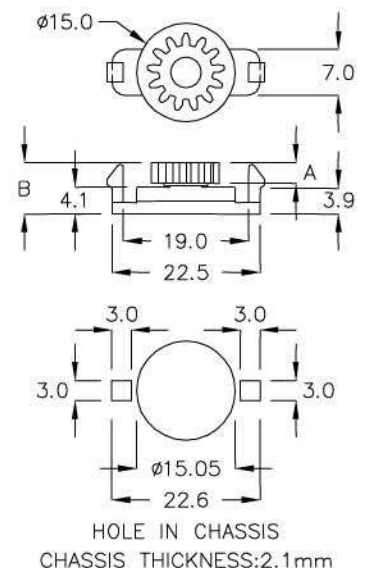
TORQUE VALVE CAN BE CUSTOMIZED PER CUSTOMERS' DEMAND



塑膠阻尼器 ROTARY DAMPER

1-20-2

- MATERIAL: ABS(UL)
- FLAME CLASS: 94HB
- MATERIAL: POM
- FLAME CLASS: 94HB
- COLOR: BLACK



| PART NO | PITCH DIAMETER | MODULE | TOOTH NUMBER | PRESSURE ANGLE | A   | B   | TORQUE (gf-cm) | PACKAGE |
|---------|----------------|--------|--------------|----------------|-----|-----|----------------|---------|
| PG-8LS  | ø8.8           | 0.8    | 11           | 20°            | 3.0 | 7.6 | 15,45          | 500     |
| PG-8DS  | ø10.4          | 0.8    | 13           | 20°            | 3.0 | 7.6 | 100,130        |         |

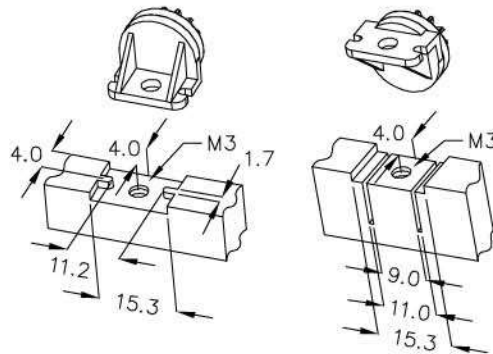
TORQUE VALVE CAN BE CUSTOMIZED PER CUSTOMERS' DEMAND



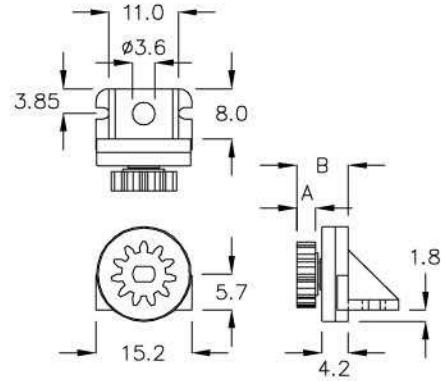
塑膠阻尼器 ROTARY DAMPER

1-21-1

- MATERIAL: ABS(UL)
- FLAME CLASS: 94HB
- MATERIAL: POM
- FLAME CLASS: 94HB
- COLOR: BLACK



HOLE IN CHASSIS



| PART NO | PITCH DIAMETER | MODULE | TOOTH NUMBER | PRESSURE ANGLE | A   | B   | TORQUE (gf-cm) | PACKAGE |
|---------|----------------|--------|--------------|----------------|-----|-----|----------------|---------|
| PG-5AS  | ø8.8           | 0.8    | 11           | 20°            | 3.0 | 7.6 | 15             | 500     |
| PG-5MS  | ø10.4          | 0.8    | 13           | 20°            | 3.0 | 7.6 |                |         |

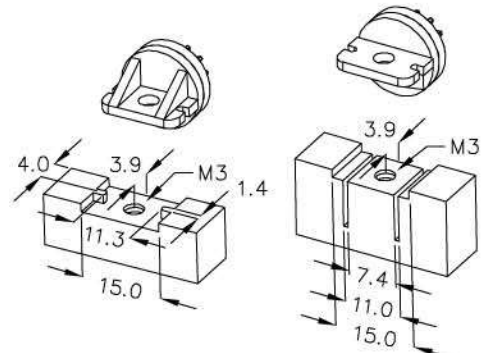
TORQUE VALVE CAN BE CUSTOMIZED PER CUSTOMERS' DEMAND



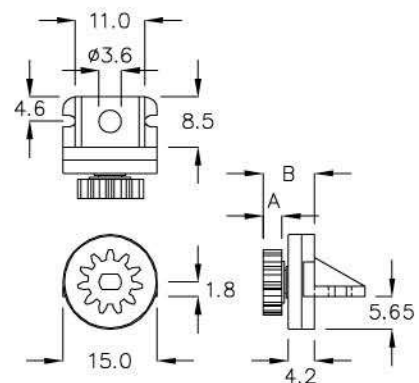
塑膠阻尼器 ROTARY DAMPER

1-21-2

- MATERIAL: ABS(UL)
- FLAME CLASS: 94HB
- MATERIAL: POM
- FLAME CLASS: 94HB
- COLOR: BLACK



HOLE IN CHASSIS



| PART NO | PITCH DIAMETER | MODULE | TOOTH NUMBER | PRESSURE ANGLE | A   | B   | TORQUE (gf-cm) | PACKAGE |
|---------|----------------|--------|--------------|----------------|-----|-----|----------------|---------|
| PG-5CS  | ø8.8           | 0.8    | 11           | 20°            | 3.0 | 7.6 | 15,45          | 500     |
| PG-5LS  | ø10.4          | 0.8    | 13           | 20°            | 3.0 | 7.6 | 100,130        |         |

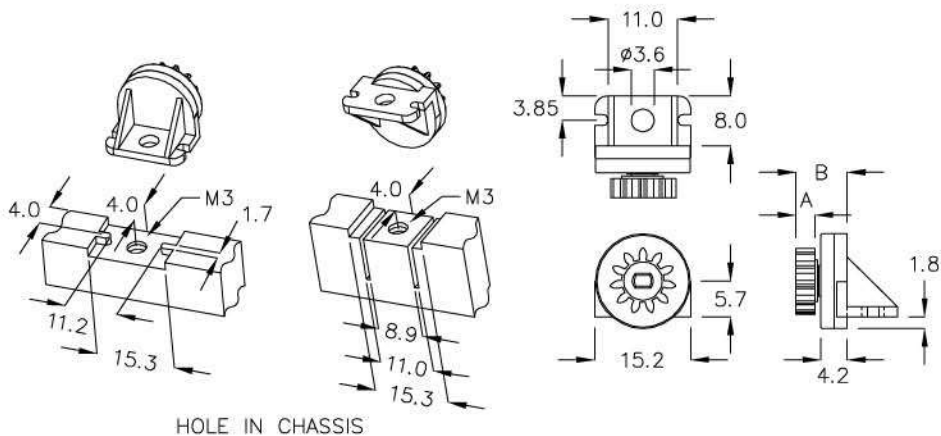
TORQUE VALVE CAN BE CUSTOMIZED PER CUSTOMERS' DEMAND



塑膠阻尼器 ROTARY DAMPER

1-22-1

- MATERIAL: PC(UL)
- FLAME CLASS: 94V-2
- MATERIAL: POM
- FLAME CLASS: 94HB
- COLOR: BLACK



| PART NO | PITCH DIAMETER | MODULE | TOOTH NUMBER | PRESSURE ANGLE | A   | B   | TORQUE (gf-cm)  | PACKAGE |
|---------|----------------|--------|--------------|----------------|-----|-----|-----------------|---------|
| PG-12   | ∅8.8           | 0.8    | 11           | 20°            | 3.0 | 7.6 | 45,70,100,130   | 500     |
| PG-12M  | ∅10.4          | 0.8    | 13           | 20°            | 3.0 | 7.6 | 150,200,230,270 | 500     |

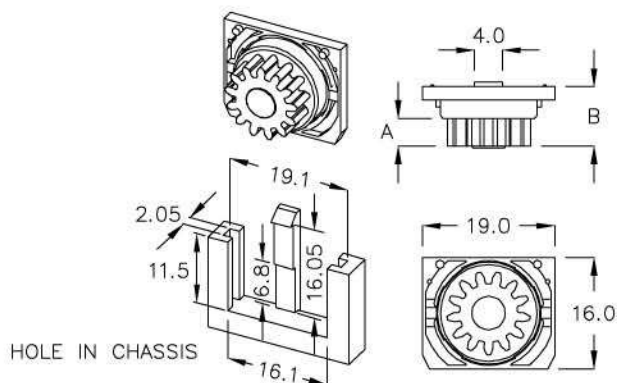
TORQUE VALVE CAN BE CUSTOMIZED PER CUSTOMERS' DEMAND



塑膠阻尼器 ROTARY DAMPER

1-22-2

- MATERIAL: ABS(UL)
- FLAME CLASS: 94HB
- MATERIAL: POM
- FLAME CLASS: 94HB
- COLOR: BLACK



| PART NO | PITCH DIAMETER | MODULE | TOOTH NUMBER | PRESSURE ANGLE | A   | B   | TORQUE (gf-cm) | PACKAGE |
|---------|----------------|--------|--------------|----------------|-----|-----|----------------|---------|
| PG-06A  | ∅10.4          | 0.8    | 13           | 20°            | 4.0 | 8.9 | 45,85          | 500     |

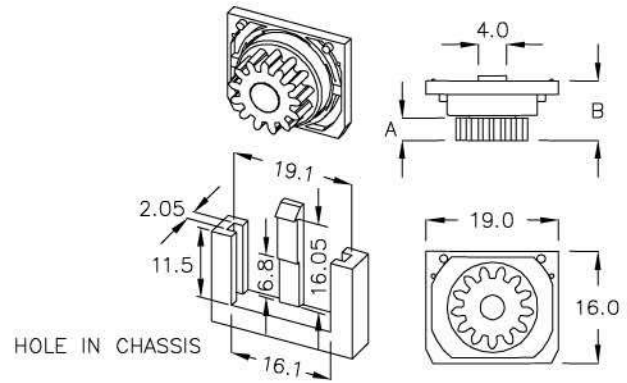
TORQUE VALVE CAN BE CUSTOMIZED PER CUSTOMERS' DEMAND  
 INSTALLATION: IS JAMED BY THE CLIP



### 塑膠阻尼器 ROTARY DAMPER

1-23-1

- MATERIAL: ABS(UL)
- FLAME CLASS: 94HB
- MATERIAL: POM
- FLAME CLASS: 94HB
- COLOR: BLACK



| PART NO | PITCH DIAMETER | MODULE | TOOTH NUMBER | PRESSURE ANGLE | A   | B    | TORQUE (gf-cm) | PACKAGE |
|---------|----------------|--------|--------------|----------------|-----|------|----------------|---------|
| PG-06C  | ø10.4          | 0.8    | 13           | 20°            | 3.2 | 8.55 | 25,37,65       | 500     |

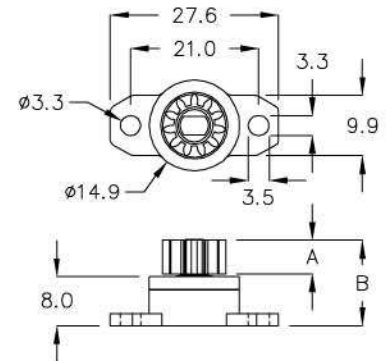
TORQUE VALVE CAN BE CUSTOMIZED PER CUSTOMERS' DEMAND  
INSTALLATION: IS JAMED BY THE CLIP



### 塑膠阻尼器 ROTARY DAMPER

1-23-2

- MATERIAL: PC(UL)
- FLAME CLASS: 94V-2
- MATERIAL: POM
- FLAME CLASS: 94HB
- COLOR: BLACK



| PART NO | PITCH DIAMETER | MODULE | TOOTH NUMBER | PRESSURE ANGLE | A   | B    | TORQUE (gf-cm) | PACKAGE |
|---------|----------------|--------|--------------|----------------|-----|------|----------------|---------|
| PG-16D  | ø8.8           | 0.8    | 11           | 20°            | 5.5 | 14.0 | 60~500         | 500     |

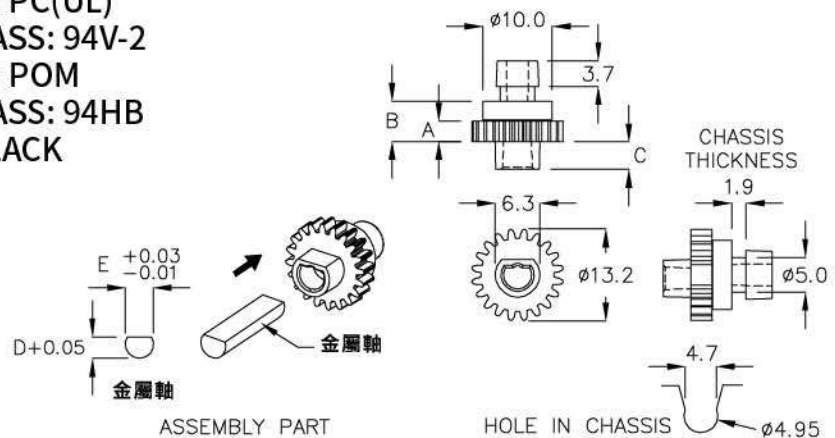
TORQUE VALVE CAN BE CUSTOMIZED PER CUSTOMERS' DEMAND



### 塑膠阻尼器 ROTARY DAMPER

1-23-3

- MATERIAL: PC(UL)
- FLAME CLASS: 94V-2
- MATERIAL: POM
- FLAME CLASS: 94HB
- COLOR: BLACK



| PART NO | PITCH DIAMETER | MODULE | TOOTH NUMBER | PRESSURE ANGLE | A   | B   | C   | D    | E     | TORQUE (gf-cm) | PACKAGE |
|---------|----------------|--------|--------------|----------------|-----|-----|-----|------|-------|----------------|---------|
| PG-17   | ø12.0          | 0.6    | 20           | 20°            | 3.0 | 6.2 | 4.0 | 3.05 | ø4.05 | 13             | 500     |
| PG-18   | ø12.0          | 0.6    | 20           | 20°            | 3.0 | 7.2 | 3.0 | 3.7  | ø4.7  | 25             |         |

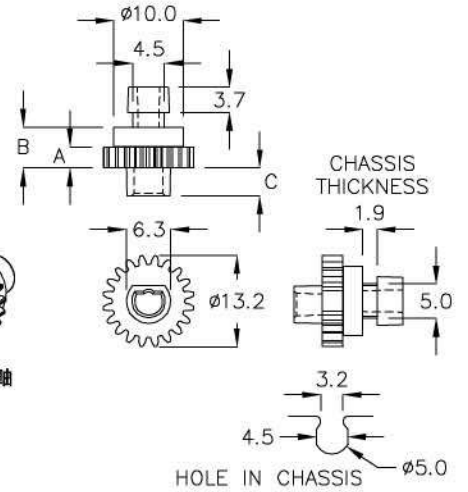
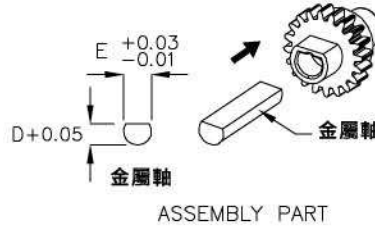
TORQUE VALVE CAN BE CUSTOMIZED PER CUSTOMERS' DEMAND



塑膠阻尼器 ROTARY DAMPER

1-24-1

- MATERIAL: PC(UL)
- FLAME CLASS: 94V-2
- MATERIAL: POM
- FLAME CLASS: 94HB
- COLOR: BLACK



| PART NO | PITCH DIAMETER | MODULE | TOOTH NUMBER | PRESSURE ANGLE | A   | B   | C   | D    | E           | TORQUE (gf-cm) | PACKAGE |
|---------|----------------|--------|--------------|----------------|-----|-----|-----|------|-------------|----------------|---------|
| PG-17MD | $\phi 12.0$    | 0.6    | 20           | 20°            | 3.0 | 6.2 | 4.0 | 3.05 | $\phi 4.05$ | 13             | 500     |

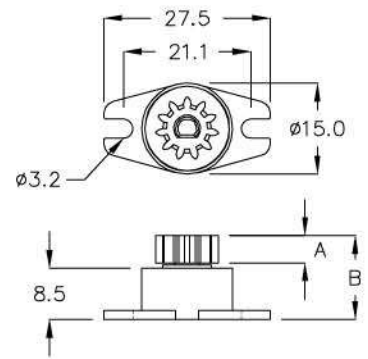
TORQUE VALVE CAN BE CUSTOMIZED PER CUSTOMERS' DEMAND



塑膠阻尼器 ROTARY DAMPER

1-24-2

- MATERIAL: PC(UL)
- FLAME CLASS: 94V-2
- MATERIAL: POM
- FLAME CLASS: 94HB
- COLOR: BLACK



| PART NO | PITCH DIAMETER | MODULE | TOOTH NUMBER | PRESSURE ANGLE | A   | B     | TORQUE (gf-cm) | PACKAGE |
|---------|----------------|--------|--------------|----------------|-----|-------|----------------|---------|
| PG-22   | $\phi 8.8$     | 0.8    | 11           | 20°            | 4.5 | 13.85 | 220            | 500     |

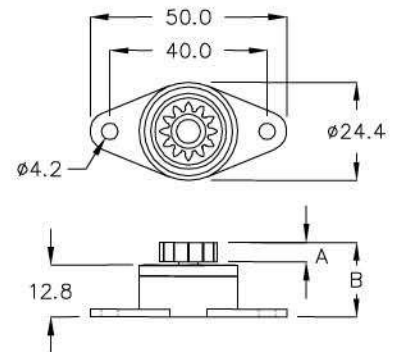
TORQUE VALVE CAN BE CUSTOMIZED PER CUSTOMERS' DEMAND



塑膠阻尼器 ROTARY DAMPER

1-24-3

- MATERIAL: PC(UL)
- FLAME CLASS: 94V-2
- MATERIAL: POM
- FLAME CLASS: 94HB
- COLOR: BLACK



| PART NO | PITCH DIAMETER | MODULE | TOOTH NUMBER | PRESSURE ANGLE | A   | B    | TORQUE (gf-cm) | PACKAGE |
|---------|----------------|--------|--------------|----------------|-----|------|----------------|---------|
| PG-20   | $\phi 12.0$    | 1.0    | 12           | 20°            | 5.0 | 18.2 | 500            | 64      |

TORQUE VALVE CAN BE CUSTOMIZED PER CUSTOMERS' DEMAND

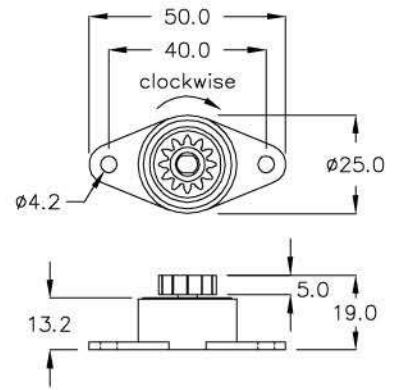
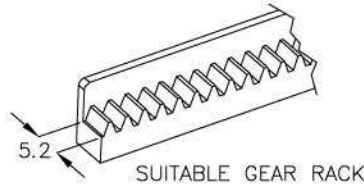




塑膠阻尼器 ROTARY DAMPER

1-25-1

- MATERIAL: PC(UL)
- FLAME CLASS: 94V-2
- MATERIAL: POM
- FLAME CLASS: 94HB
- COLOR: BLACK



| PART NO    | PITCH DIAMETER | MODULE | TOOTH NUMBER | PRESSURE ANGLE | TORQUE(gf-cm) |           | PACKAGE |
|------------|----------------|--------|--------------|----------------|---------------|-----------|---------|
|            |                |        |              |                | withershin    | clockwise |         |
| PG-30-600  | ø12.0          | 1.0    | 12           | 20°            | 600           | 100       | 64      |
| PG-30-1400 | ø12.0          | 1.0    | 12           | 20°            | 1400          | 100       |         |

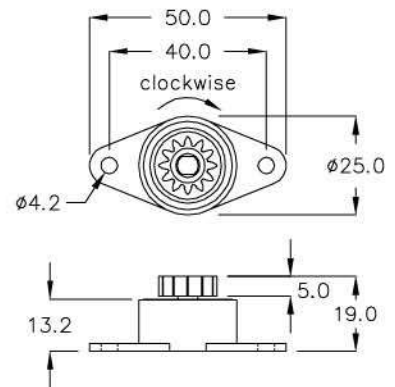
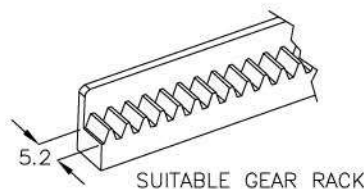
TORQUE VALVE CAN BE CUSTOMIZED PER CUSTOMERS' DEMAND



塑膠阻尼器 ROTARY DAMPER

1-25-2

- MATERIAL: PC(UL)
- FLAME CLASS: 94V-2
- MATERIAL: POM
- FLAME CLASS: 94HB
- COLOR: BLACK



| PART NO    | PITCH DIAMETER | MODULE | TOOTH NUMBER | PRESSURE ANGLE | TORQUE(gf-cm) |           | TYPE OF GEARS | PACKAGE |
|------------|----------------|--------|--------------|----------------|---------------|-----------|---------------|---------|
|            |                |        |              |                | withershin    | clockwise |               |         |
| PG-50-600  | ø12.0          | 1.0    | 12           | 20°            | 600           | 100       | SPUR GEARS    | 64      |
| PG-50-1400 | ø12.0          | 1.0    | 12           | 20°            | 1400          | 100       | SPUR GEARS    |         |

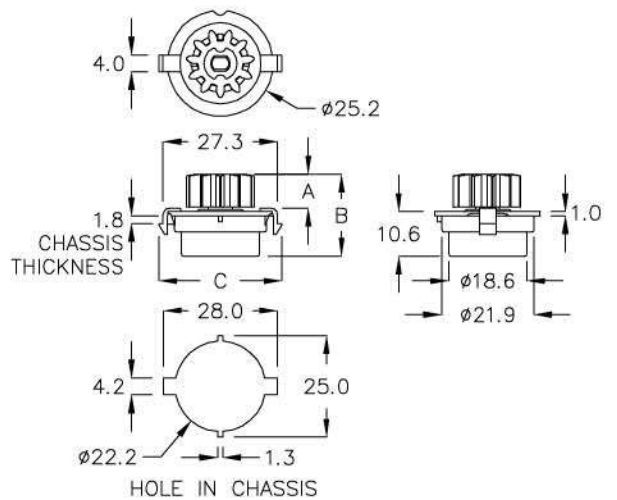
TORQUE VALVE CAN BE CUSTOMIZED PER CUSTOMERS' DEMAND



塑膠阻尼器 ROTARY DAMPER

1-26-1

- MATERIAL: PC(UL)
- FLAME CLASS: 94V-2
- MATERIAL: POM
- FLAME CLASS: 94HB
- COLOR: BLACK



| PART NO | PITCH DIAMETER | MODULE | TOOTH NUMBER | PRESSURE ANGLE | A   | B    | C    | TORQUE (gf-cm) | PACKAGE |
|---------|----------------|--------|--------------|----------------|-----|------|------|----------------|---------|
| PG-27   | 13.75          | 1.25   | 11           | 20°            | 7.9 | 19.5 | 29.3 | 100            | 200     |

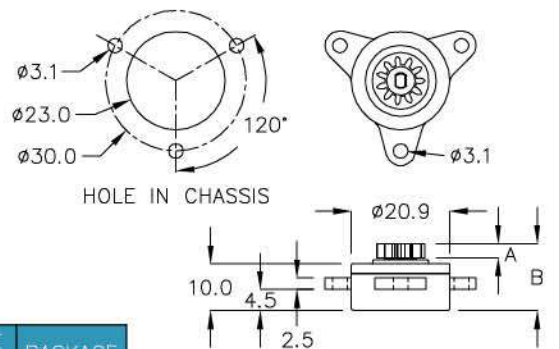
TORQUE VALVE CAN BE CUSTOMIZED PER CUSTOMERS' DEMAND



塑膠阻尼器 ROTARY DAMPER

1-26-2

- MATERIAL: PC(UL)
- FLAME CLASS: 94V-2
- MATERIAL: POM
- FLAME CLASS: 94HB
- COLOR: BLACK



| PART NO | PITCH DIAMETER | MODULE | TOOTH NUMBER | PRESSURE ANGLE | A   | B    | TORQUE (gf-cm) | PACKAGE |
|---------|----------------|--------|--------------|----------------|-----|------|----------------|---------|
| PG-40   | 8.8            | 0.8    | 11           | 20°            | 3.0 | 14.3 | 400            | 200     |

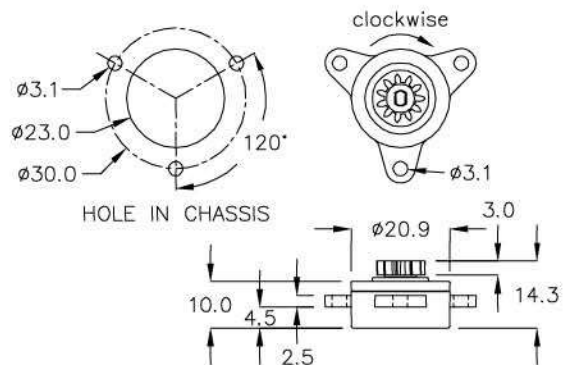
TORQUE VALVE CAN BE CUSTOMIZED PER CUSTOMERS' DEMAND



塑膠阻尼器 ROTARY DAMPER

1-26-3

- MATERIAL: PC(UL)
- FLAME CLASS: 94V-2
- MATERIAL: POM
- FLAME CLASS: 94HB
- COLOR: BLACK



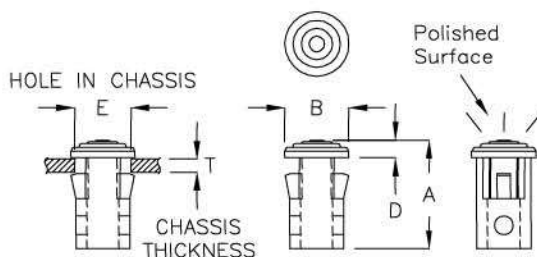
| PART NO   | PITCH DIAMETER | MODULE | TOOTH NUMBER | PRESSURE ANGLE | TORQUE (gf-cm) |           | PACKAGE |
|-----------|----------------|--------|--------------|----------------|----------------|-----------|---------|
|           |                |        |              |                | withershin     | clockwise |         |
| PG-45-380 | 8.8            | 0.8    | 11           | 20°            | 380            | 140       | 200     |
| PG-45-700 | 8.8            | 0.8    | 11           | 20°            | 700            | 200       |         |

TORQUE VALVE CAN BE CUSTOMIZED PER CUSTOMERS' DEMAND



### 導光罩 LIGHT TRANSPORTER 1-27-1

- MATERIAL: PC(UL)
- FLAME CLASS: 94V-2
- COLOR: CLEAR



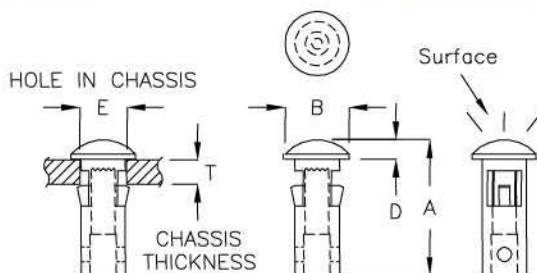
搭配  $\phi 2$  導光光纖使用

| PART NO | A   | B          | D   | E HOLE IN CHASSIS | T CHASSIS THICKNESS | SUITABLE FIBER DIAMETER | PACKAGE |
|---------|-----|------------|-----|-------------------|---------------------|-------------------------|---------|
| EDN-03  | 6.9 | $\phi 4.1$ | 1.1 | $\phi 3.5$        | 1.0                 | $\phi 2.0$              | 1000    |



### 導光罩 LIGHT TRANSPORTER 1-27-2

- MATERIAL: PC(UL)
- FLAME CLASS: 94V-2
- COLOR: CLEAR



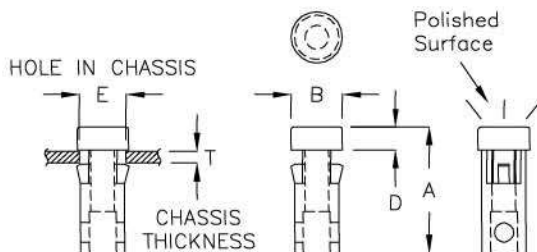
搭配  $\phi 2$ 、 $\phi 3$  導光光纖使用

| PART NO | Surface  | A    | B          | D   | E HOLE IN CHASSIS | T CHASSIS THICKNESS | SUITABLE FIBER DIAMETER | PACKAGE |
|---------|----------|------|------------|-----|-------------------|---------------------|-------------------------|---------|
| EDN-3C  | Matt     | 11.6 | $\phi 5.0$ | 1.5 | $\phi 3.55$       | 3.0                 | $\phi 2.0$              | 1000    |
| EDN-5A  | Polished | 6.9  | $\phi 5.1$ | 1.1 | $\phi 4.5$        | 1.0                 | $\phi 3.0$              |         |



### 導光罩 LIGHT TRANSPORTER 1-27-3

- MATERIAL: PC(UL)
- FLAME CLASS: 94V-2
- COLOR: CLEAR



搭配  $\phi 2$  導光光纖使用

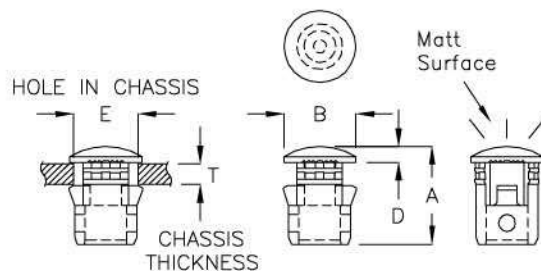
| PART NO | A   | B          | D   | E HOLE IN CHASSIS | T CHASSIS THICKNESS | SUITABLE FIBER DIAMETER | PACKAGE |
|---------|-----|------------|-----|-------------------|---------------------|-------------------------|---------|
| EDN-3K  | 9.8 | $\phi 4.0$ | 1.8 | $\phi 3.5$        | 1.0                 | $\phi 2.0$              | 1000    |



### 導光罩 LIGHT TRANSPORTER

1-28-1

- MATERIAL: PC(UL)
- FLAME CLASS: 94V-2
- COLOR: CLEAR



搭配  $\phi 3$  導光光纖使用

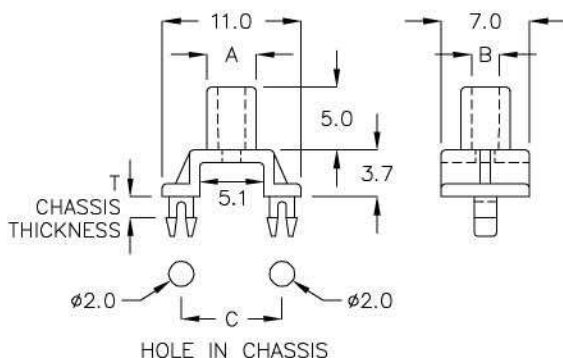
| PART NO | A          | B          | D   | E          | T   | SUITABLE FIBER DIAMETER | PACKAGE |
|---------|------------|------------|-----|------------|-----|-------------------------|---------|
| EDN-5SP | $\phi 6.9$ | $\phi 5.1$ | 1.1 | $\phi 4.5$ | 1.6 | $\phi 3.0$              | 1000    |



### SMD 座 SMD HOUSING

1-28-2

- MATERIAL: NYLON 66(UL)
- FLAME CLASS: 94V-2
- COLOR: BLACK



搭配  $\phi 2$ 、 $\phi 3$  導光光纖使用

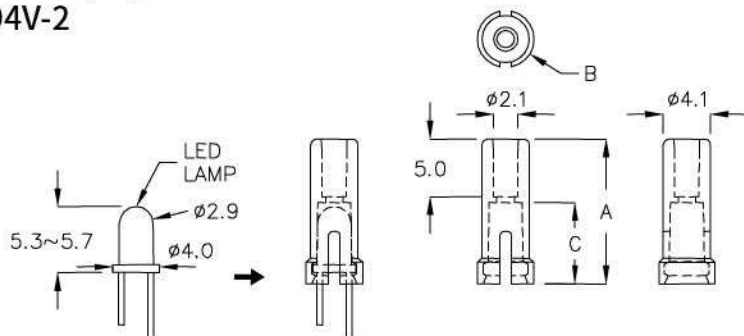
| FOR SMD LED |            |            |     |     |                         |         |  |
|-------------|------------|------------|-----|-----|-------------------------|---------|--|
| PART NO     | A          | B          | C   | T   | SUITABLE FIBER DIAMETER | PACKAGE |  |
| EDZ-01      | $\phi 3.9$ | $\phi 2.2$ | 8.0 | 1.6 | $\phi 2.0$              | 1000    |  |
| EDZ-2F      | $\phi 4.7$ | $\phi 3.0$ | 8.0 | 1.6 | $\phi 3.0$              |         |  |



### LED 座 LED HOUSING

1-28-3

- MATERIAL: NYLON 66(UL)
- FLAME CLASS: 94V-2
- COLOR: BLACK



搭配  $\phi 2$  導光光纖使用

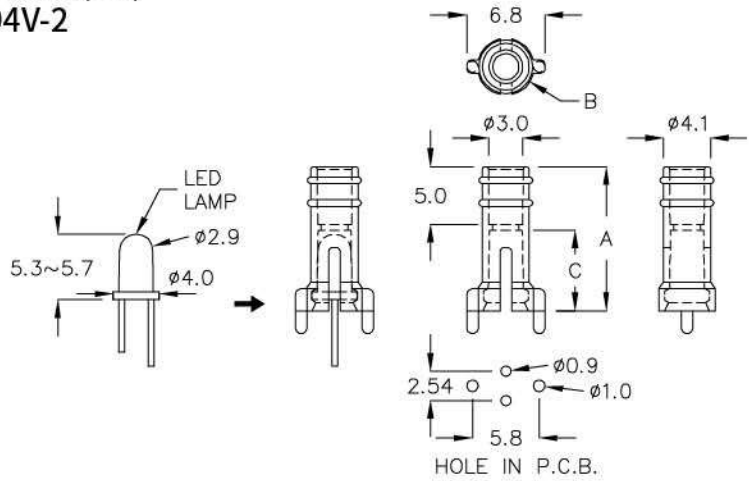
| FOR $\phi 3$ 2PIN LED |      |            |     |                         |         |
|-----------------------|------|------------|-----|-------------------------|---------|
| PART NO               | A    | B          | C   | SUITABLE FIBER DIAMETER | PACKAGE |
| EDZ-3A                | 12.5 | $\phi 4.9$ | 7.0 | $\phi 2.0$              | 1000    |



### LED 座 LED HOUSING

1-29-1

- MATERIAL: NYLON 66(UL)
- FLAME CLASS: 94V-2
- COLOR: BLACK



搭配  $\phi 3$  導光光纖使用

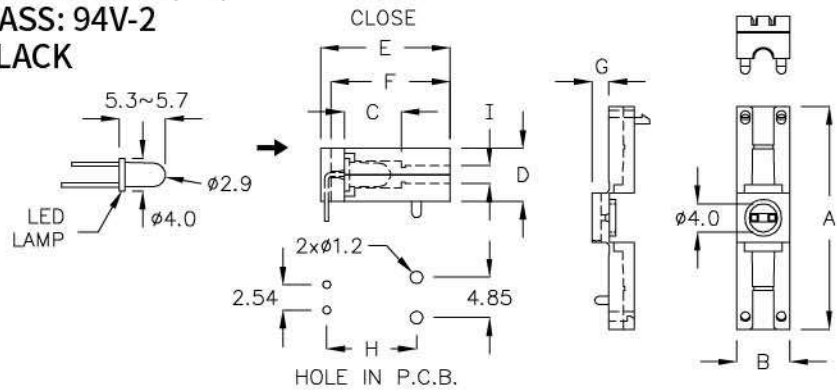
| FOR $\phi 3$ 2PIN LED |      |            |     |                         |         |
|-----------------------|------|------------|-----|-------------------------|---------|
| PART NO               | A    | B          | C   | SUITABLE FIBER DIAMETER | PACKAGE |
| EDZ-2A                | 12.5 | $\phi 4.9$ | 7.0 | $\phi 3.0$              | 1000    |



### LED 座 LED HOUSING

1-29-2

- MATERIAL: NYLON 66(UL)
- FLAME CLASS: 94V-2
- COLOR: BLACK



搭配  $\phi 2$ 、 $\phi 3$  導光光纖使用

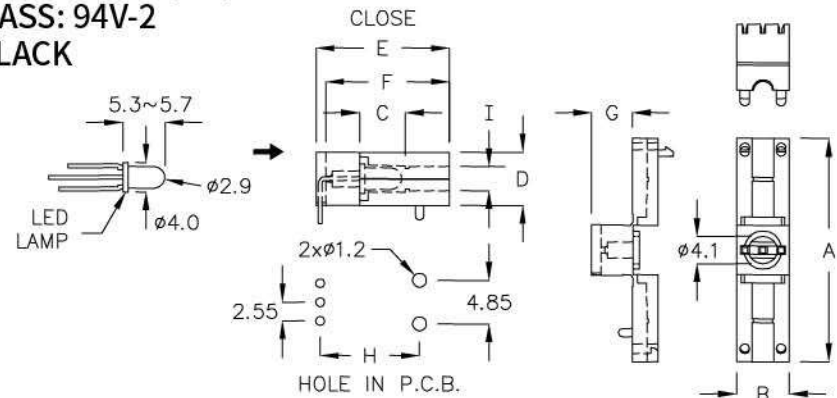
| FOR $\phi 3$ 2PIN LED |      |     |     |     |      |      |     |       |     |                |         |
|-----------------------|------|-----|-----|-----|------|------|-----|-------|-----|----------------|---------|
| PART NO               | A    | B   | C   | D   | E    | F    | G   | H     | I   | FIBER DIAMETER | PACKAGE |
| EDZ-03                | 32.8 | 6.0 | 7.0 | 7.0 | 15.9 | 14.6 | 2.9 | 11.05 | 2.2 | $\phi 2.0$     | 500     |
| EDZ-2C                | 31.6 | 7.5 | 6.0 | 7.2 | 14.8 | 13.5 | 2.4 | 10.05 | 3.0 | $\phi 3.0$     |         |



### LED 座 LED HOUSING

1-29-3

- MATERIAL: NYLON 66(UL)
- FLAME CLASS: 94V-2
- COLOR: BLACK



搭配  $\phi 3$  導光光纖使用

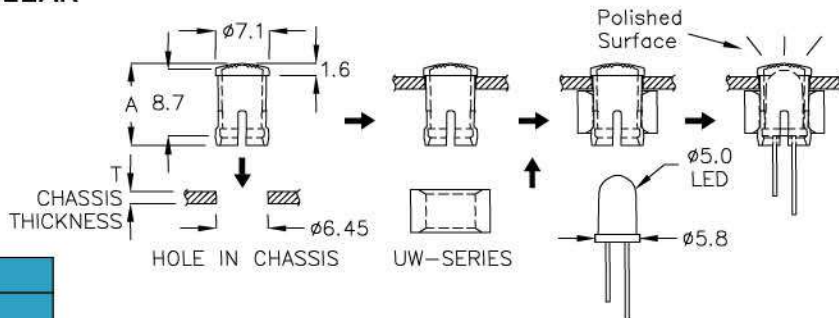
| FOR $\phi 3$ 3PIN LED |      |     |     |     |       |      |     |      |      |                |         |
|-----------------------|------|-----|-----|-----|-------|------|-----|------|------|----------------|---------|
| PART NO               | A    | B   | C   | D   | E     | F    | G   | H    | I    | FIBER DIAMETER | PACKAGE |
| EDZ-04                | 31.5 | 7.5 | 6.0 | 7.2 | 18.15 | 16.9 | 5.8 | 13.5 | 3.05 | $\phi 3.0$     | 500     |



### LED 導光罩 LED CAP

1-30-1

- MATERIAL: PC(UL)
- FLAME CLASS: 94V-2
- COLOR: CLEAR



| FOR $\phi 5$ 2PIN LED |      |                        |                 |         |
|-----------------------|------|------------------------|-----------------|---------|
| PART NO               | A    | T<br>CHASSIS THICKNESS | SUITABLE HOLDER | PACKAGE |
| EDK-01                | 10.8 | 0.8                    | UW-07C          | 1000    |
|                       |      | 1.0                    | UW-07A          |         |
|                       |      | 1.2                    | UW-06C          |         |
|                       |      | 1.6                    | UW-06A          |         |
|                       |      | 2.0                    | UW-05C          |         |
|                       |      | 2.5                    | UW-05A          |         |
|                       |      | 3.0                    | UW-04C          |         |
| 6.7                   |      |                        |                 |         |

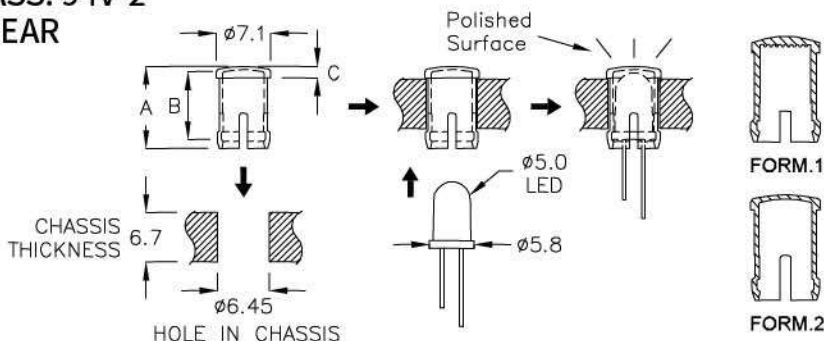
ALSO CAN ASSEMBLE WITH UW-SERIES (Page 1-30-3)



### LED 導光罩 LED CAP

1-30-2

- MATERIAL: PC(UL)
- FLAME CLASS: 94V-2
- COLOR: CLEAR



| FOR $\phi 5$ 2PIN LED |      |     |      |      |         |
|-----------------------|------|-----|------|------|---------|
| PART NO               | A    | B   | C    | FORM | PACKAGE |
| EDK-1C                | 10.9 | 8.5 | 1.7  | 1    | 1000    |
| EDK-1TP               | 10.8 | 8.9 | 1.55 | 2    |         |

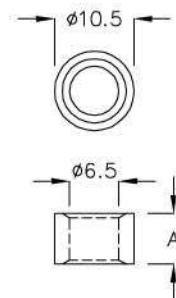


### 固定座 LAMP HOLDER

1-30-3

- MATERIAL: NYLON 66(UL)
- FLAME CLASS: 94V-2
- COLOR: BLACK

| PART NO | A   | PACKAGE |
|---------|-----|---------|
| UW-04C  | 4.5 | 2000    |
| UW-05A  | 5.0 |         |
| UW-05C  | 5.5 |         |
| UW-06A  | 5.9 | 1000    |
| UW-06C  | 6.3 |         |
| UW-07A  | 6.5 |         |
| UW-07C  | 6.7 |         |

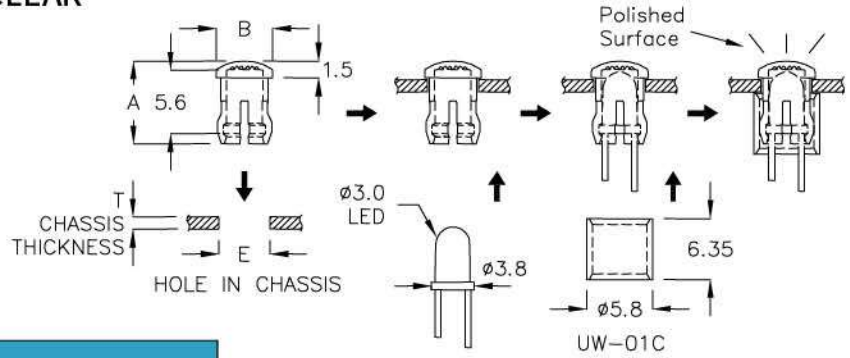


ALSO CAN ASSEMBLE WITH EDK-01 (Page 1-30-1)



**LED 導光罩 LED CAP** | 1-31-1 |

- MATERIAL: PC(UL)
- FLAME CLASS: 94V-2
- COLOR: CLEAR



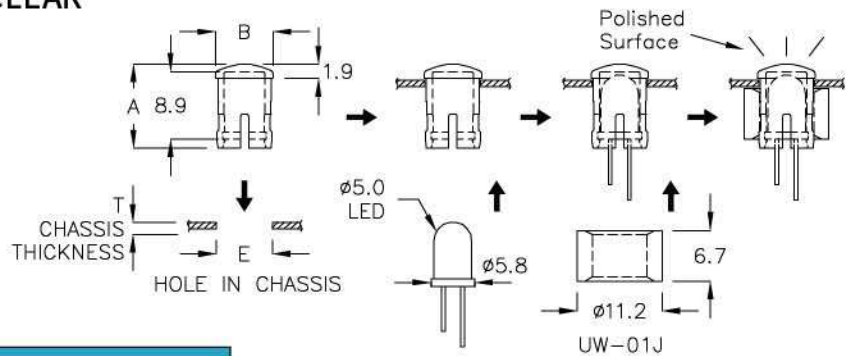
| FOR Ø3 2PIN LED |     |      |                   |                     |                 |         |
|-----------------|-----|------|-------------------|---------------------|-----------------|---------|
| PART NO         | A   | B    | E HOLE IN CHASSIS | T CHASSIS THICKNESS | SUITABLE HOLDER | PACKAGE |
| EDK-02          | 7.3 | Ø5.0 | Ø4.3              | 0.8~2.8             | UW-01C          | 1000    |

ALSO CAN ASSEMBLE WITH UW-SERIES (Page 13-22-2)



**LED 導光罩 LED CAP** | 1-31-2 |

- MATERIAL: PC(UL)
- FLAME CLASS: 94V-2
- COLOR: CLEAR



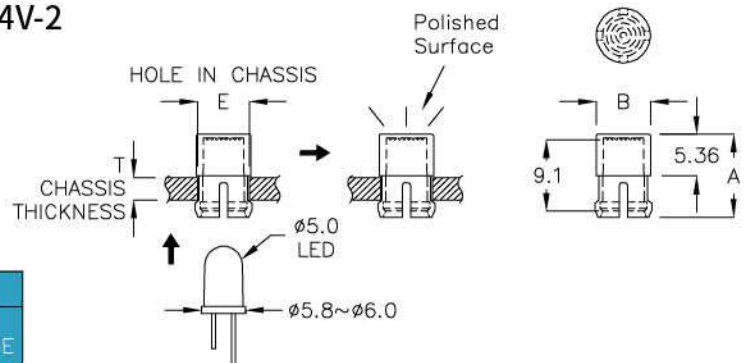
| FOR Ø5 2PIN LED |      |      |                   |                     |                 |         |
|-----------------|------|------|-------------------|---------------------|-----------------|---------|
| PART NO         | A    | B    | E HOLE IN CHASSIS | T CHASSIS THICKNESS | SUITABLE HOLDER | PACKAGE |
| EDK-03          | 11.1 | Ø7.6 | Ø7.2              | 0.8                 | UW-01J          | 1000    |

ALSO CAN ASSEMBLE WITH UW-SERIES (Page 13-22-2)



**LED 導光罩 LED CAP** | 1-31-3 |

- MATERIAL: PC(UL)
- FLAME CLASS: 94V-2
- COLOR: CLEAR



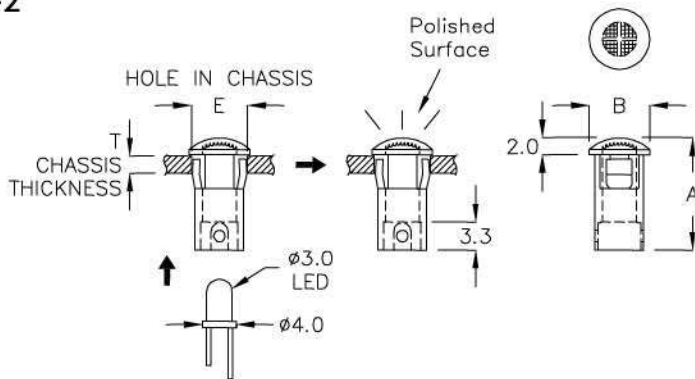
| FOR Ø5 2PIN LED |      |       |                   |                     |         |
|-----------------|------|-------|-------------------|---------------------|---------|
| PART NO         | A    | B     | E HOLE IN CHASSIS | T CHASSIS THICKNESS | PACKAGE |
| EDK-1A          | 10.9 | Ø7.15 | Ø6.4              | 3.2                 | 1000    |



### LED 導光罩 LED CAP

1-32-1

- MATERIAL: PC(UL)
- FLAME CLASS: 94V-2
- COLOR: CLEAR



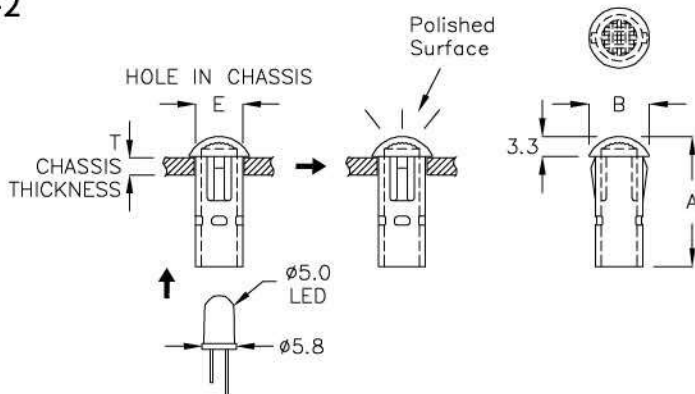
| FOR $\phi 3$ 2PIN LED |      |            |                         |                           |         |
|-----------------------|------|------------|-------------------------|---------------------------|---------|
| PART NO               | A    | B          | E<br>HOLE IN<br>CHASSIS | T<br>CHASSIS<br>THICKNESS | PACKAGE |
| EDN-05                | 13.2 | $\phi 7.1$ | $\phi 6.0$              | 1.6~2.0                   | 1000    |



### LED 導光罩 LED CAP

1-32-2

- MATERIAL: PC(UL)
- FLAME CLASS: 94V-2
- COLOR: CLEAR



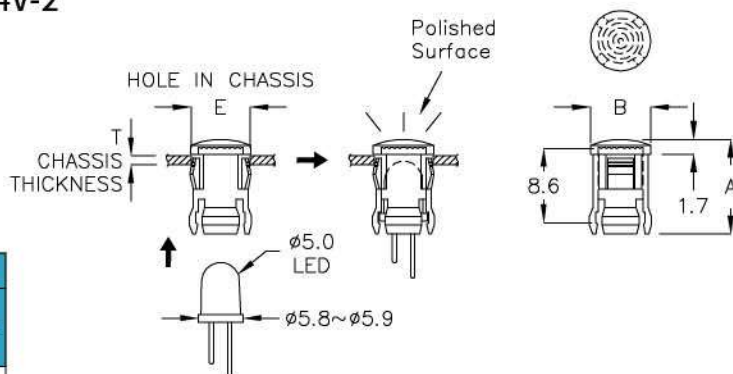
| FOR $\phi 5$ 2PIN LED |      |             |                         |                           |         |
|-----------------------|------|-------------|-------------------------|---------------------------|---------|
| PART NO               | A    | B           | E<br>HOLE IN<br>CHASSIS | T<br>CHASSIS<br>THICKNESS | PACKAGE |
| EDN-5C                | 24.2 | $\phi 10.1$ | $\phi 8.5$              | 2.0                       | 500     |



### LED 導光罩 LED CAP

1-32-3

- MATERIAL: PC(UL)
- FLAME CLASS: 94V-2
- COLOR: CLEAR



| FOR $\phi 5$ 2PIN LED |      |            |                         |                           |         |
|-----------------------|------|------------|-------------------------|---------------------------|---------|
| PART NO               | A    | B          | E<br>HOLE IN<br>CHASSIS | T<br>CHASSIS<br>THICKNESS | PACKAGE |
| EDK-5A                | 10.9 | $\phi 7.0$ | $\phi 6.4$              | 0.8                       | 1000    |

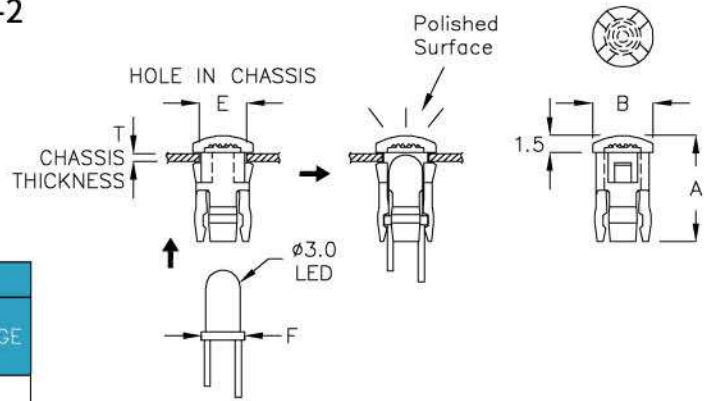




### LED 導光罩 LED CAP

1-33-1

- MATERIAL: PC(UL)
- FLAME CLASS: 94V-2
- COLOR: CLEAR



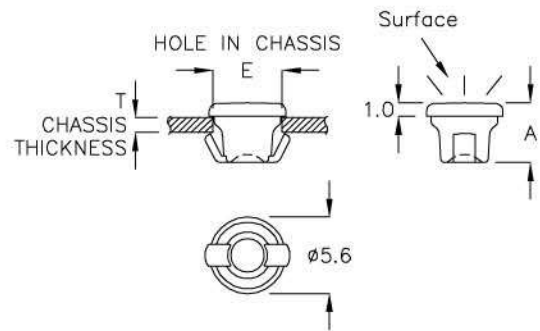
| FOR ø3 2PIN LED |     |      |                   |      |                     |         |
|-----------------|-----|------|-------------------|------|---------------------|---------|
| PART NO         | A   | B    | E HOLE IN CHASSIS | F    | T CHASSIS THICKNESS | PACKAGE |
| EDK-3F          | 9.1 | ø5.0 | ø4.3              | ø3.8 | 1.1                 | 1000    |
| EDK-3HW         | 9.3 | ø5.3 | ø4.8              | ø3.9 | 0.8                 |         |



### 導光柱 LIGHT PIPE

1-33-2

- MATERIAL: PC(UL)
- FLAME CLASS: 94V-2
- COLOR: CLEAR



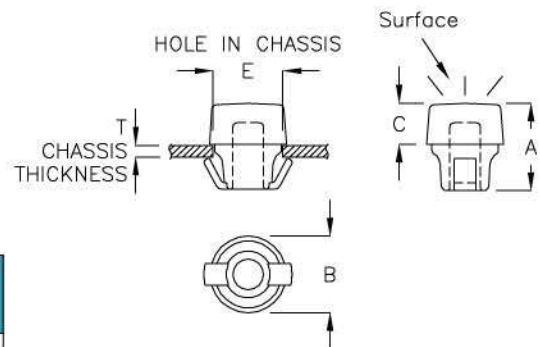
| PART NO | Surface  | A   | E HOLE IN CHASSIS | T CHASSIS THICKNESS | PACKAGE |
|---------|----------|-----|-------------------|---------------------|---------|
| HHP-04  | Polished | 4.5 | ø5.0              | 1.0                 | 1000    |
| HHP-4A  | Polished | 4.9 | ø5.0              | 1.2                 |         |
| HHP-4F  | Polished | 3.8 | ø5.0              | 0.8                 |         |
| HHP-4JP | Matt     | 3.8 | ø5.0              | 0.8                 |         |



### 導光柱 LIGHT PIPE

1-33-3

- MATERIAL: PC(UL)
- FLAME CLASS: 94V-2
- COLOR: CLEAR



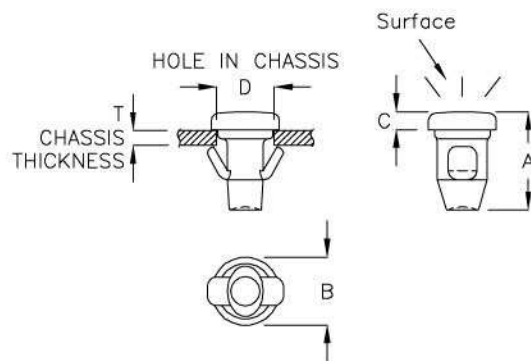
| PART NO  | SURFACE  | A    | B     | C   | E HOLE IN CHASSIS | T CHASSIS THICKNESS | PACKAGE |
|----------|----------|------|-------|-----|-------------------|---------------------|---------|
| HHP-4C   | Polished | 6.4  | ø5.6  | 3.0 | ø5.0              | 0.8                 | 1000    |
| HHP-11JC | Matt     | 10.8 | ø10.0 | 6.0 | ø8.5              | 2.0                 |         |



### 導光柱 LIGHT PIPE

1-34-1

- MATERIAL: PC(UL)
- FLAME CLASS: 94V-2
- COLOR: CLEAR



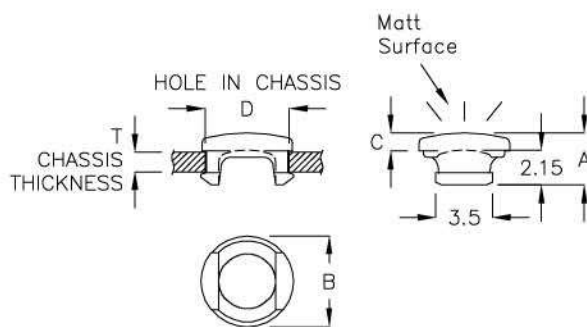
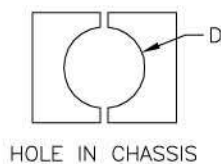
| PART NO | Surface  | A    | B    | C   | D<br>HOLE IN<br>CHASSIS | T<br>CHASSIS<br>THICKNESS | PACKAGE |
|---------|----------|------|------|-----|-------------------------|---------------------------|---------|
| HHP-09  | Polished | 5.5  | ∅3.8 | 1.0 | ∅3.2                    | 0.8                       | 1000    |
| HHP-9AC | Matt     | 9.0  | ∅5.0 | 0.5 | ∅4.3                    | 0.8                       |         |
| HHP-13F | Matt     | 13.9 | ∅5.0 | 0.5 | ∅4.3                    | 0.8                       |         |



### 導光柱 LIGHT PIPE

1-34-2

- MATERIAL : PC(UL)
- COLOR : CLEAR



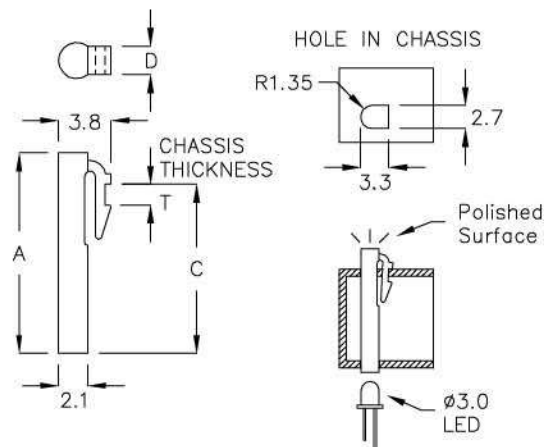
| PART NO | A   | B    | C   | D<br>HOLE IN<br>CHASSIS | T<br>CHASSIS<br>THICKNESS | PACKAGE |
|---------|-----|------|-----|-------------------------|---------------------------|---------|
| LDMD-5A | 3.2 | ∅5.6 | 1.1 | ∅5.0                    | 1.2                       | 2000    |



### 導光柱 LIGHT PIPE

1-34-3

- MATERIAL: PC(UL)
- FLAME CLASS: 94V-2
- COLOR: CLEAR

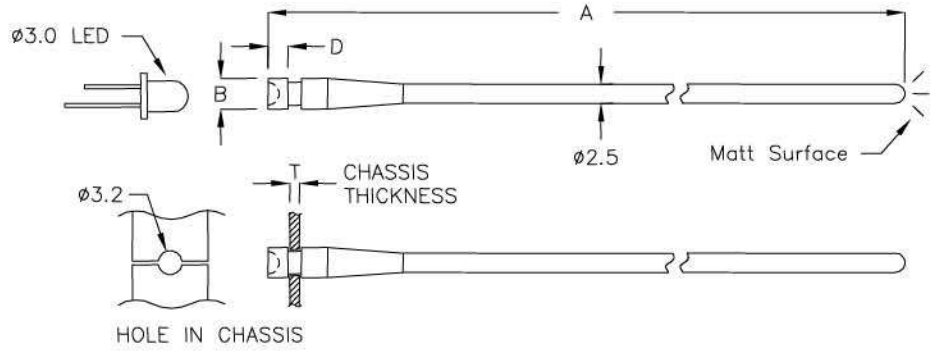


| PART NO | A    | C     | D    | T<br>CHASSIS<br>THICKNESS | PACKAGE |
|---------|------|-------|------|---------------------------|---------|
| LEAD-14 | 14.4 | 12.15 | 2.05 | 1.2                       | 2000    |

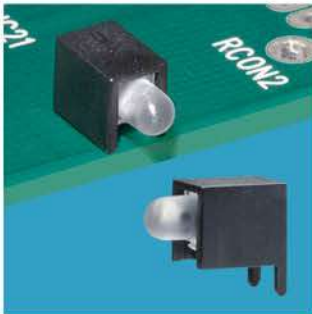


導光柱 LIGHT PIPE 1-35-1

- MATERIAL: PMMA
- FLAME CLASS: 94HB
- COLOR: CLEAR

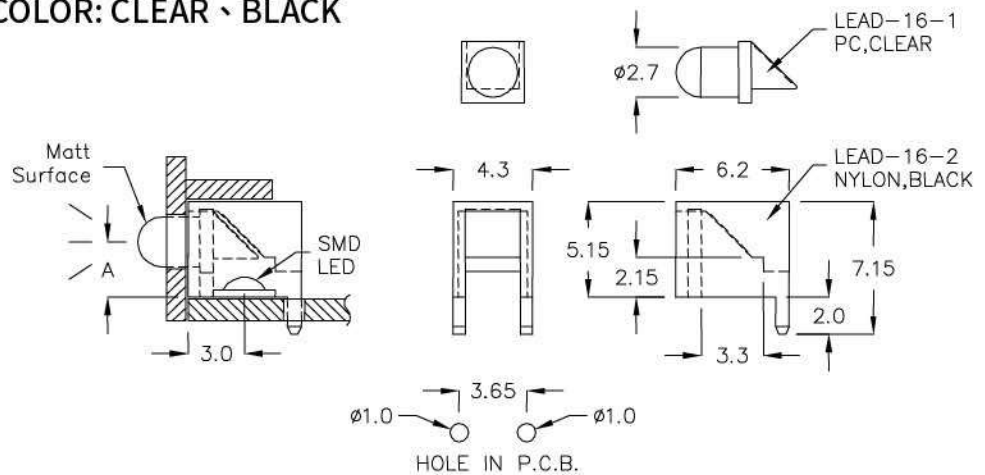


| PART NO | A     | B    | D   | T<br>CHASSIS<br>THICKNESS | PACKAGE |
|---------|-------|------|-----|---------------------------|---------|
| LEAD-15 | 223.2 | ø4.0 | 2.7 | 1.5                       | 100     |

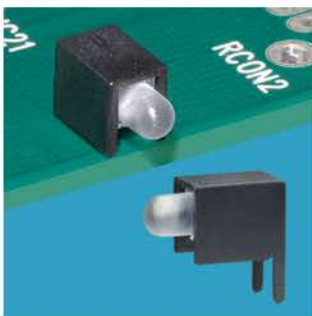


導光柱 LIGHT PIPE 1-35-2

- MATERIAL: PC、NYLON 66(UL)
- FLAME CLASS: 94V-0
- COLOR: CLEAR、BLACK

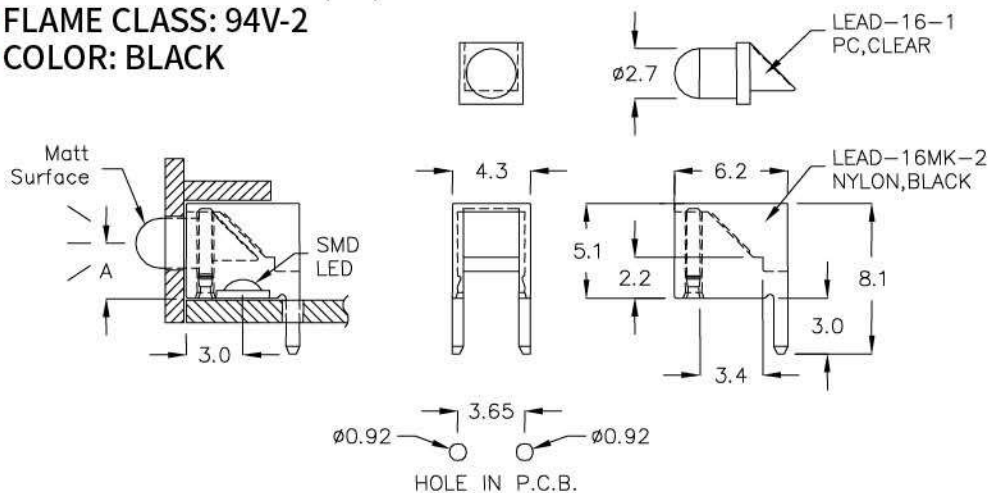


| PART NO | A   | PACKAGE |
|---------|-----|---------|
| LEAD-16 | 3.0 | 1000    |



導光柱 LIGHT PIPE 1-35-3

- MATERIAL: PC(UL)
- FLAME CLASS: 94V-0
- COLOR: CLEAR
- MATERIAL: NYLON 66(UL)
- FLAME CLASS: 94V-2
- COLOR: BLACK



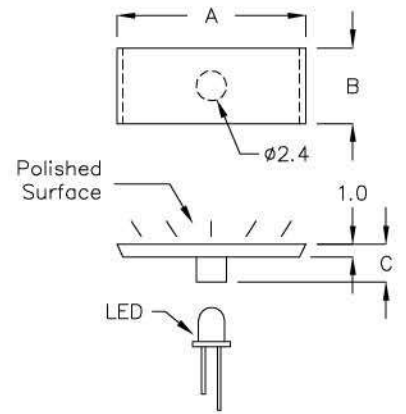
| PART NO   | A   | PACKAGE |
|-----------|-----|---------|
| LEAD-16MK | 3.0 | 1000    |



### 導光柱 LIGHT PIPE

1-36-1

- MATERIAL: PMMA
- COLOR: CLEAR



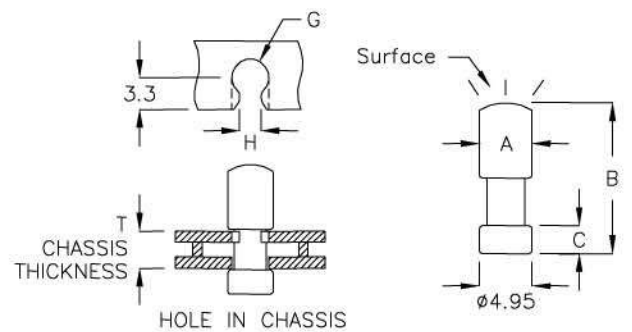
| PART NO | A    | B   | C   | PACKAGE |
|---------|------|-----|-----|---------|
| LEAD-17 | 15.0 | 6.0 | 3.0 | 1000    |



### 導光柱 LIGHT PIPE

1-36-2

- MATERIAL: PC(UL)
- FLAME CLASS: 94V-2
- COLOR: CLEAR



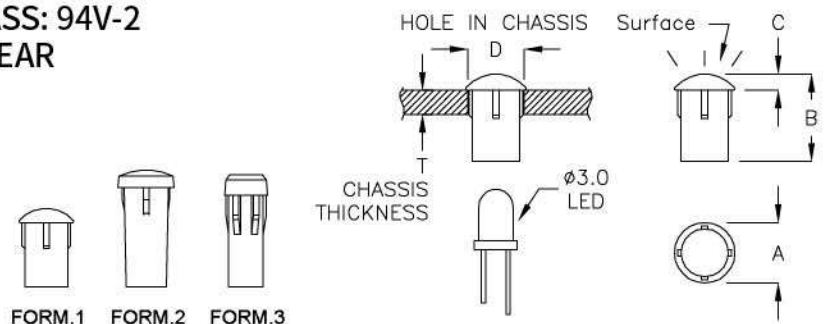
| PART NO   | A           | B    | C    | G<br>HOLE IN<br>CHASSIS | H    | T<br>CHASSIS<br>THICKNESS | Surface  | PACKAGE |
|-----------|-------------|------|------|-------------------------|------|---------------------------|----------|---------|
| LEAD-20   | $\phi 4.95$ | 14.1 | 2.62 | $\phi 3.65$             | 3.45 | 4.2                       | Matt     | 2000    |
| LEAD-20AC | $\phi 4.95$ | 15.8 | 2.65 | $\phi 3.55$             | 3.35 | 4.3                       | Polished |         |



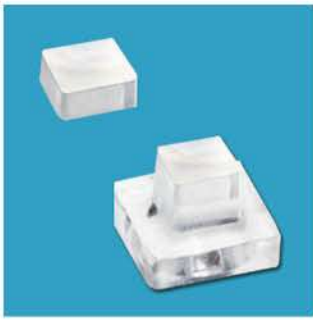
### 導光柱 LIGHT PIPE

1-36-3

- MATERIAL: PC(UL)
- FLAME CLASS: 94V-2
- COLOR: CLEAR



| PART NO   | A          | B    | C    | D<br>HOLE IN<br>CHASSIS | T<br>CHASSIS<br>THICKNESS | SURFACE  | FORM | PACKAGE |
|-----------|------------|------|------|-------------------------|---------------------------|----------|------|---------|
| LEAD-3TM  | $\phi 3.3$ | 3.95 | 0.76 | $\phi 2.85$             | >1.0                      | Matt     | 1    | 2000    |
| LEAD-9HP  | $\phi 3.3$ | 8.55 | 1.55 | $\phi 2.95$             | >1.8                      | Polished | 3    |         |
| LEAD-18KT | $\phi 3.8$ | 5.5  | 1.0  | $\phi 3.1$              | >1.6                      | Polished | 1    |         |
| LEAD-18   | $\phi 3.8$ | 5.5  | 1.0  | $\phi 3.2$              | >1.8                      | Matt     | 1    |         |
| LEAD-30   | $\phi 3.8$ | 4.1  | 1.0  | $\phi 3.1$              | >1.4                      | Matt     | 1    |         |
| LEAD-30FQ | $\phi 3.8$ | 3.5  | 1.0  | $\phi 3.1$              | >1.4                      | Matt     | 1    |         |
| LEAD-30M  | $\phi 3.8$ | 9.7  | 1.2  | $\phi 3.1$              | >1.0                      | Polished | 2    |         |
| LEAD-39   | $\phi 3.8$ | 24.8 | 1.2  | $\phi 3.1$              | >1.0                      | Matt     | 2    | 1000    |

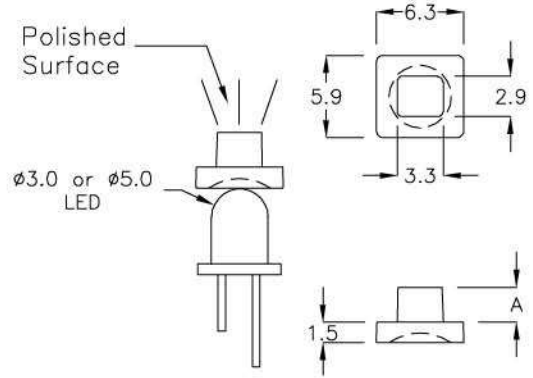


導光柱 LIGHT PIPE

1-37-1

- MATERIAL: PC(UL)
- FLAME CLASS: 94V-2
- COLOR: CLEAR

| PART NO | A   | PACKAGE |
|---------|-----|---------|
| LEAD-29 | 2.5 | 2000    |

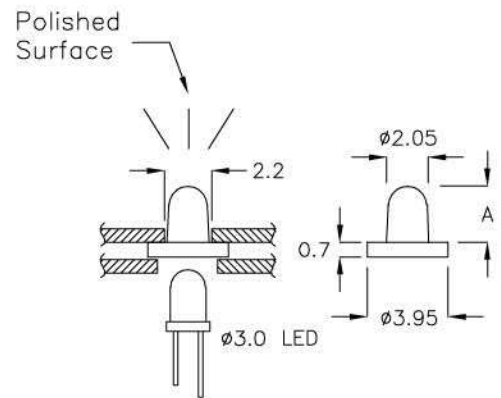


導光柱 LIGHT PIPE

1-37-2

- MATERIAL: PC(UL)
- FLAME CLASS: 94V-2
- COLOR: CLEAR

| PART NO  | A    | PACKAGE |
|----------|------|---------|
| LEAD-3FK | 2.75 | 2000    |

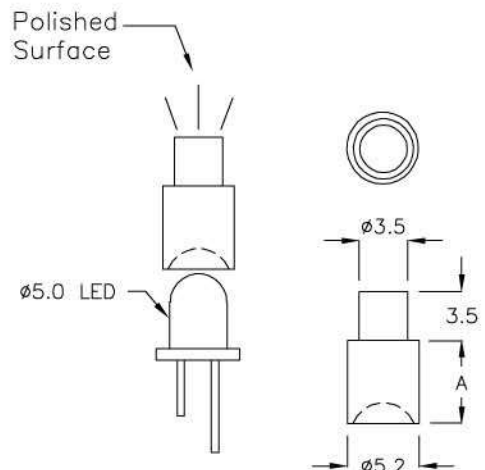


導光柱 LIGHT PIPE

1-37-3

- MATERIAL: PC(UL)
- FLAME CLASS: 94V-2
- COLOR: CLEAR

| PART NO | A   | PACKAGE |
|---------|-----|---------|
| LEAD-35 | 6.0 | 2000    |

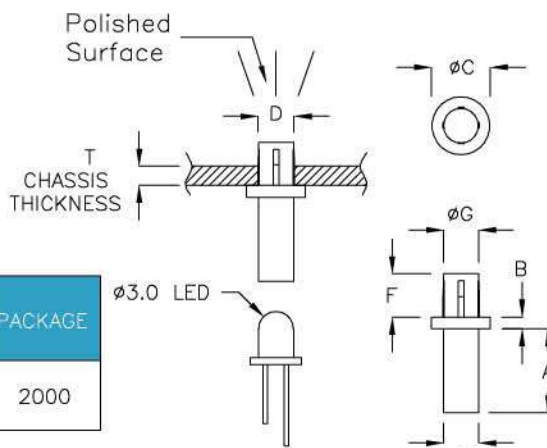




導光柱 LIGHT PIPE

1-38-1

- MATERIAL: PC(UL)
- FLAME CLASS: 94V-2
- COLOR: CLEAR



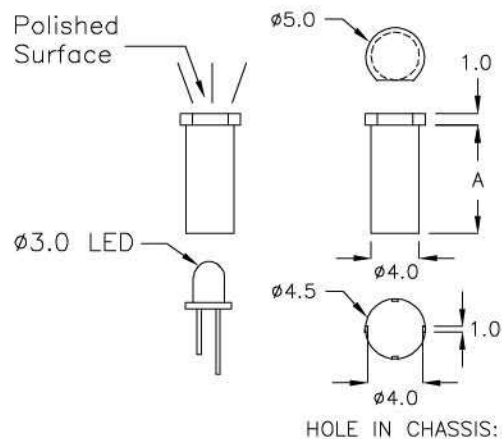
| PART NO  | A   | B   | C   | D<br>HOLE IN<br>CHASSIS | E   | F   | G   | T<br>CHASSIS<br>THICKNESS | PACKAGE |
|----------|-----|-----|-----|-------------------------|-----|-----|-----|---------------------------|---------|
| LEHD-5Q  | 1.4 | 1.3 | 3.8 | $\phi 3.0$              | 2.8 | 2.3 | 2.6 | 1.4                       | 2000    |
| LEHD-12F | 7.0 | 1.0 | 4.9 | $\phi 3.0$              | 2.9 | 3.6 | 2.9 | 1.6                       |         |



導光柱 LIGHT PIPE

1-38-2

- MATERIAL: PMMA
- COLOR: CLEAR



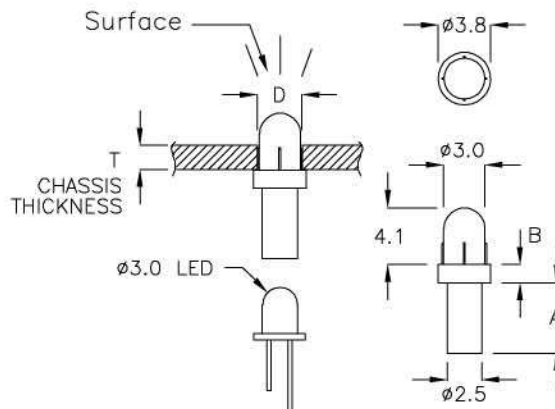
| PART NO | A   | PACKAGE |
|---------|-----|---------|
| LEZD-10 | 9.0 | 2000    |



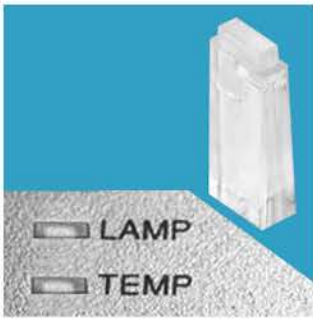
導光柱 LIGHT PIPE

1-38-3

- MATERIAL: PC(UL)
- FLAME CLASS: 94V-2
- COLOR: CLEAR



| PART NO   | A   | B   | D<br>HOLE IN<br>CHASSIS | T<br>CHASSIS<br>THICKNESS | SURFACE  | PACKAGE |
|-----------|-----|-----|-------------------------|---------------------------|----------|---------|
| LEAD-36   | 5.1 | 1.3 | $\phi 3.1$              | 1.6                       | Matt     | 1000    |
| LEAD-36PQ | 5.1 | 1.3 | $\phi 3.0$              | 1.6                       | Polished |         |
| LEAD-37   | 1.9 | 1.3 | $\phi 3.1$              | 1.6                       | Matt     |         |

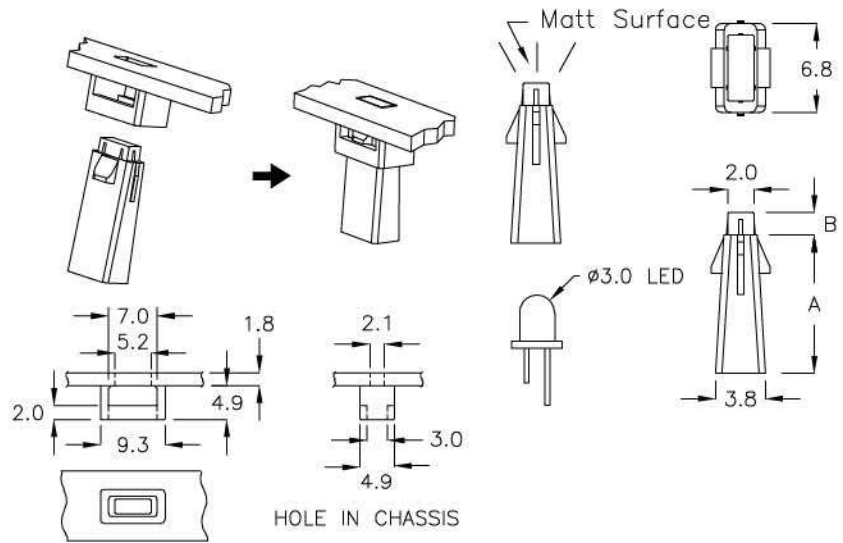


導光柱 LIGHT PIPE

1-39-1

- MATERIAL: PC(UL)
- FLAME CLASS: 94V-2
- COLOR: CLEAR

| PART NO   | A    | B   | PACKAGE |
|-----------|------|-----|---------|
| LEAD-52MK | 14.2 | 1.7 | 2000    |

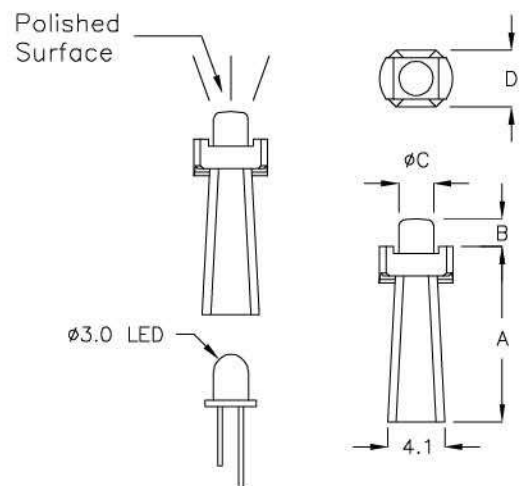


導光柱 LIGHT PIPE

1-39-2

- MATERIAL: PC(UL)
- FLAME CLASS: 94V-2
- COLOR: CLEAR

| PART NO  | A    | B   | C   | D   | PACKAGE |
|----------|------|-----|-----|-----|---------|
| LEAD-40  | 10.1 | 2.0 | 2.5 | 3.0 | 2000    |
| LEAD-51  | 12.6 | 2.0 | 2.5 | 4.1 |         |
| LEAD-51K | 13.5 | 2.0 | 1.6 | 3.0 |         |



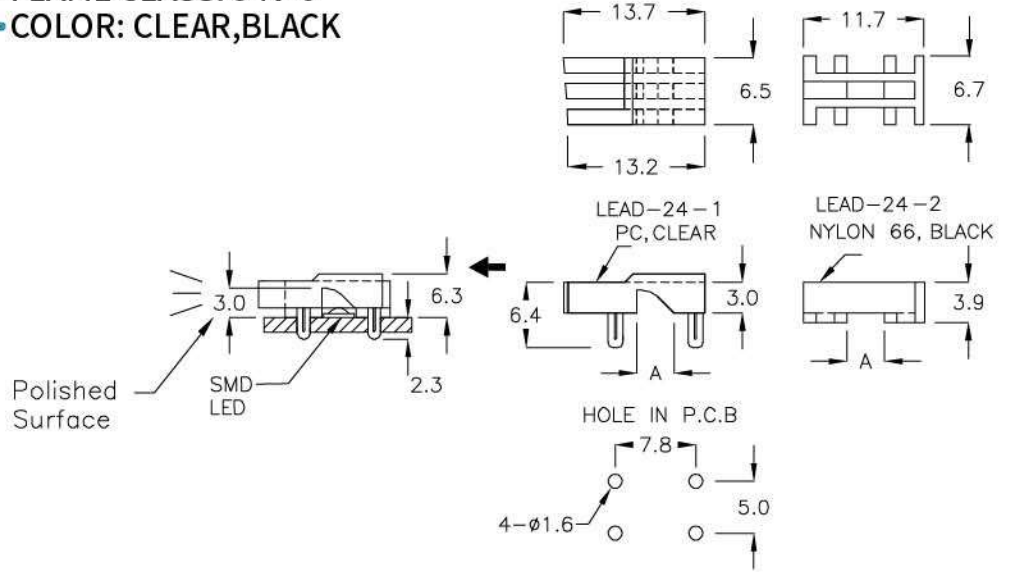


### 導光柱 LIGHT PIPE

1-40-1

- MATERIAL: PC,NYLON 66(UL)
- FLAME CLASS: 94V-0
- COLOR: CLEAR,BLACK

| PART NO | A   | PACKAGE |
|---------|-----|---------|
| LEAD-24 | 3.6 | 1000    |

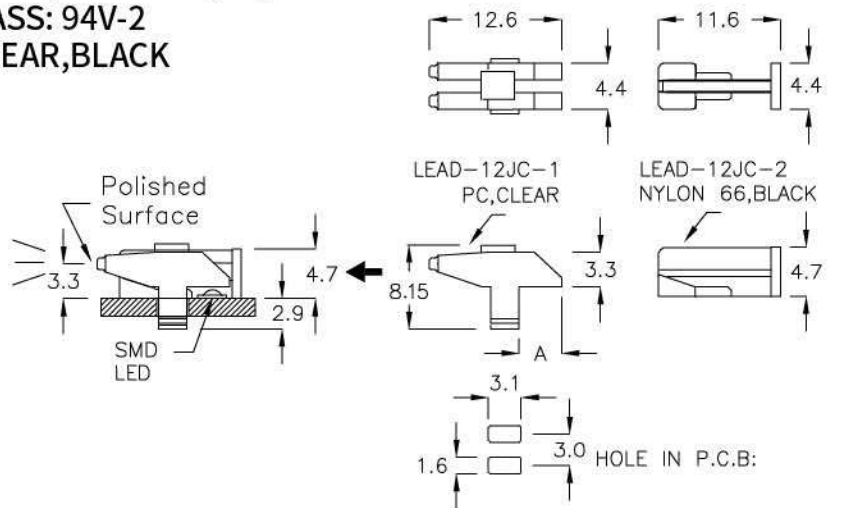


### 導光柱 LIGHT PIPE

1-40-2

- MATERIAL: PC,NYLON 66(UL)
- FLAME CLASS: 94V-2
- COLOR: CLEAR,BLACK

| PART NO   | A   | P.C.B. THICKNESS | PACKAGE |
|-----------|-----|------------------|---------|
| LEAD-12JC | 4.0 | 1.6              | 1000    |





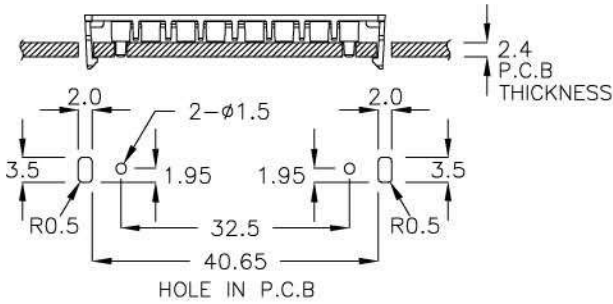
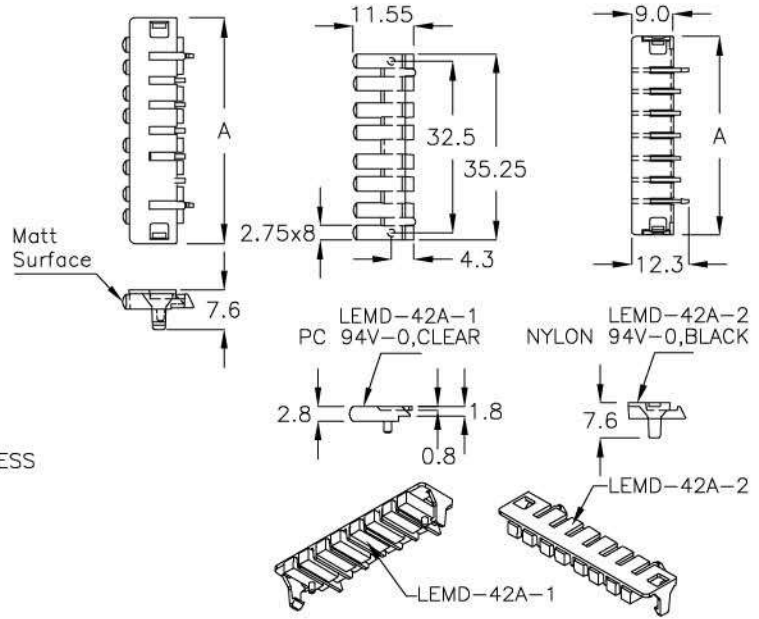


### 導光柱 LIGHT PIPE

1-41-1

- MATERIAL: PC,NYLON 66(UL)
- FLAME CLASS: 94V-0
- COLOR: CLEAR,BLACK

| PART NO  | A    | PACKAGE |
|----------|------|---------|
| LEMD-42A | 42.8 | 200     |

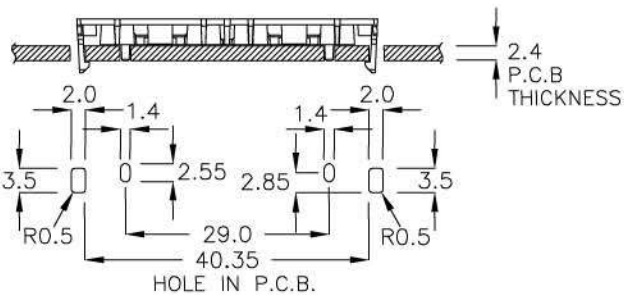
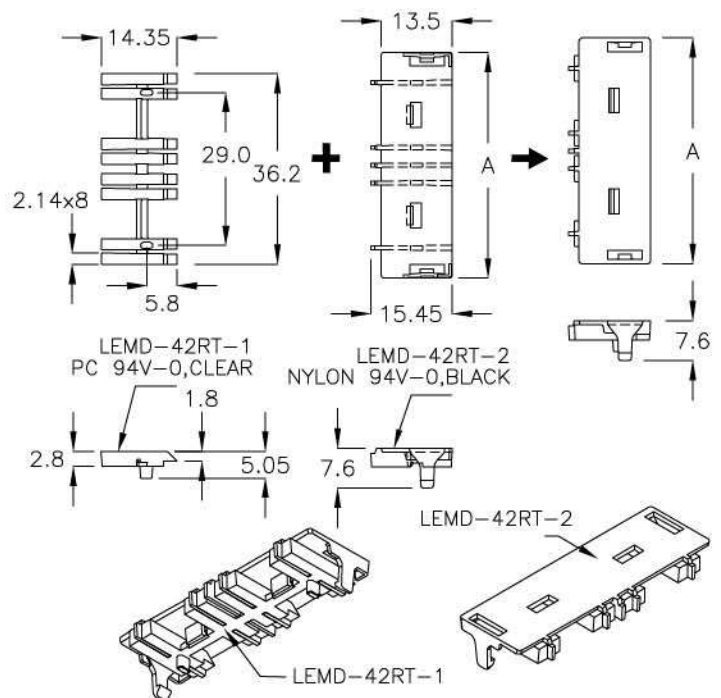


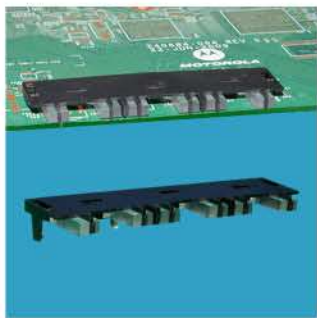
### 導光柱 LIGHT PIPE

1-41-2

- MATERIAL: PC,NYLON 66(UL)
- FLAME CLASS: 94V-0
- COLOR: CLEAR,BLACK

| PART NO   | A    | PACKAGE |
|-----------|------|---------|
| LEMD-42RT | 42.8 | 200     |



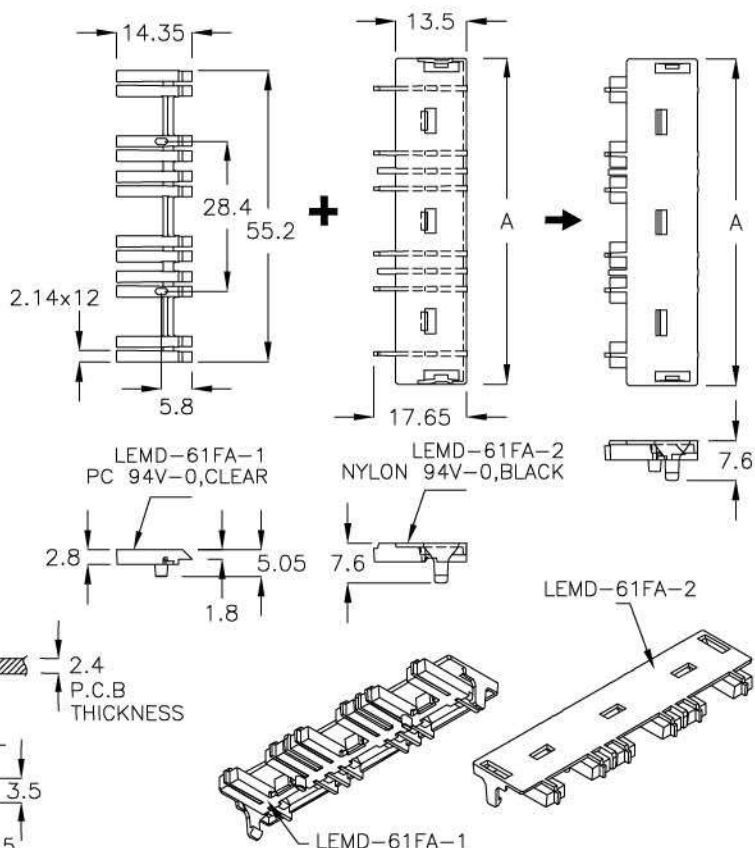
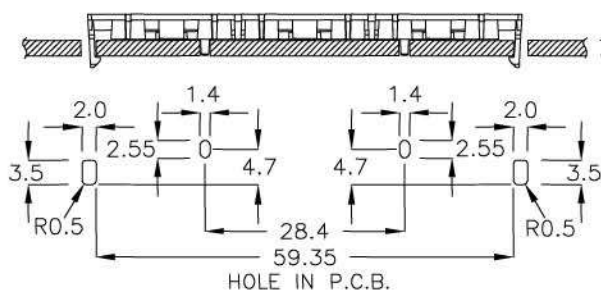


導光柱 LIGHT PIPE

1-42-1

- MATERIAL: PC,NYLON 66(UL)
- FLAME CLASS: 94V-0
- COLOR: CLEAR,BLACK

| PART NO   | A    | PACKAGE |
|-----------|------|---------|
| LEMD-61FA | 61.8 | 200     |

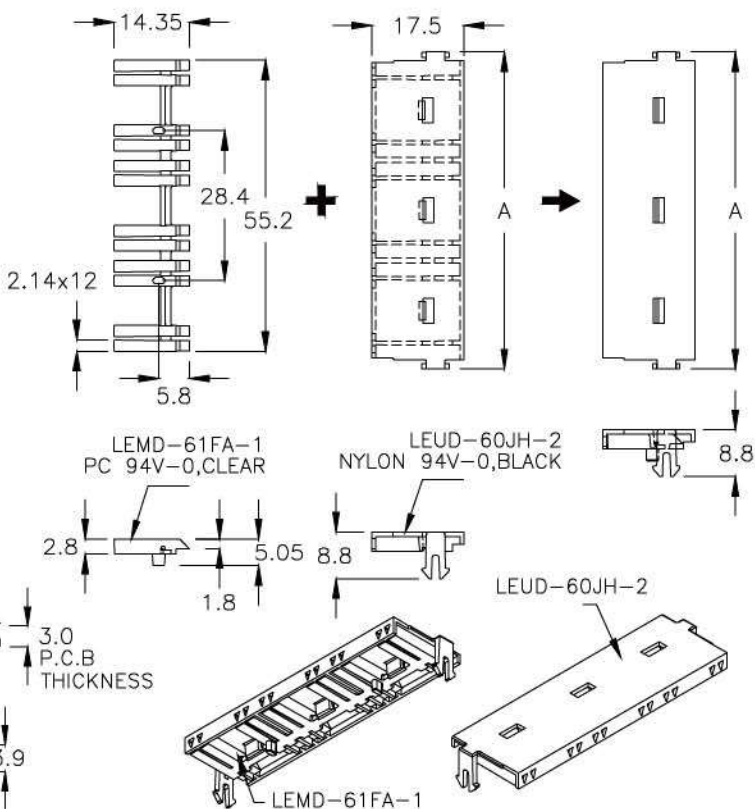
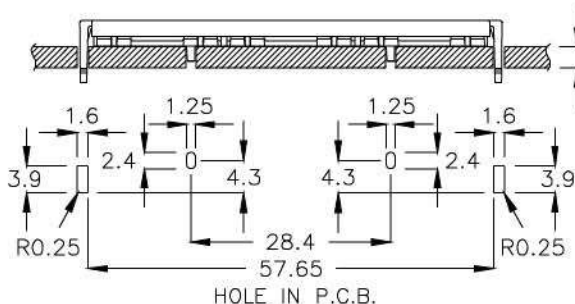


導光柱 LIGHT PIPE

1-42-2

- MATERIAL: PC,NYLON 66(UL)
- FLAME CLASS: 94V-0
- COLOR: CLEAR,BLACK

| PART NO   | A     | PACKAGE |
|-----------|-------|---------|
| LEUD-60JH | 60.15 | 200     |



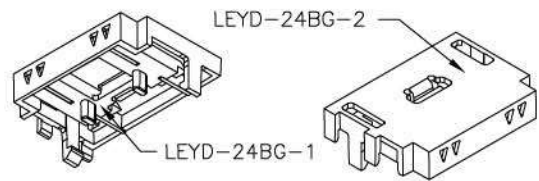
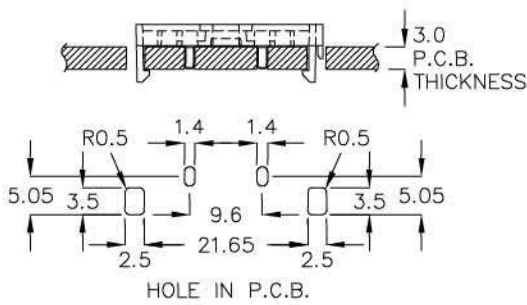
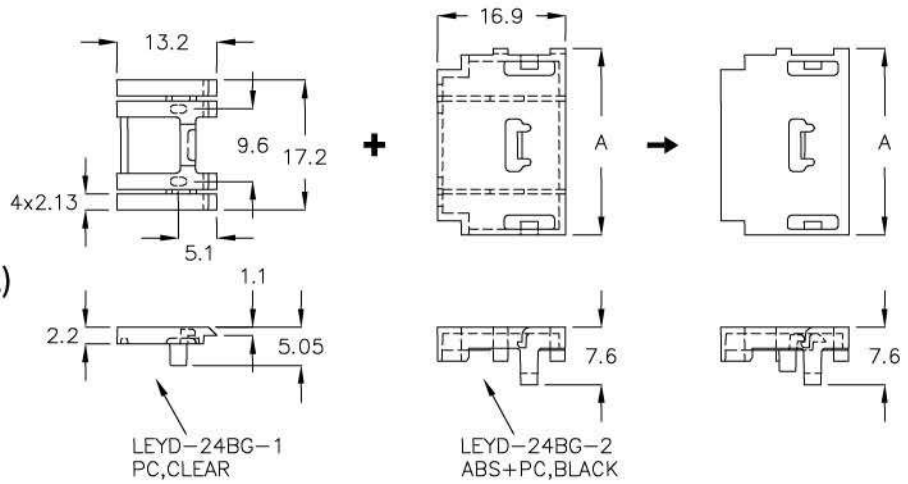


導光柱 LIGHT PIPE

1-43-1

- MATERIAL: PC,NYLON 66(UL)
- FLAME CLASS: 94V-0
- COLOR: CLEAR,BLACK

| PART NO   | A    | PACKAGE |
|-----------|------|---------|
| LEYD-24BG | 24.7 | 200     |

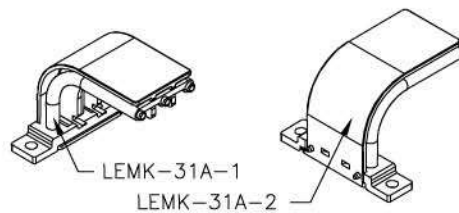
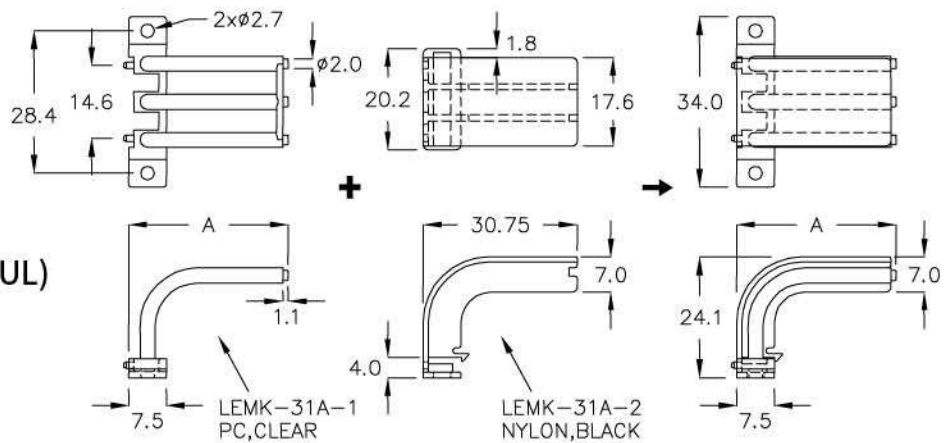


導光柱 LIGHT PIPE

1-43-2

- MATERIAL: PC,NYLON 66(UL)
- FLAME CLASS: 94V-0
- COLOR: CLEAR,BLACK

| PART NO  | A    | PACKAGE |
|----------|------|---------|
| LEMK-31A | 31.9 | 500     |

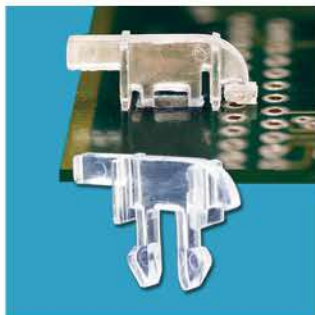
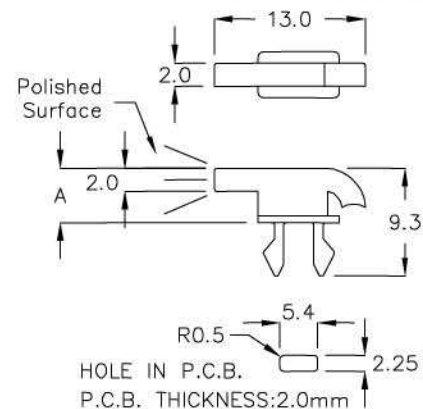




### 導光柱 LIGHT PIPE

- MATERIAL: PC(UL)
- FLAME CLASS: 94V-0
- COLOR: CLEAR

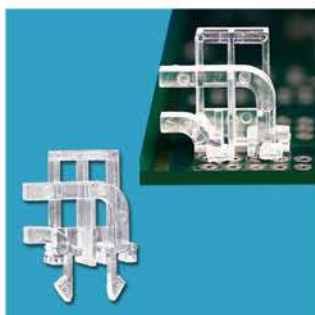
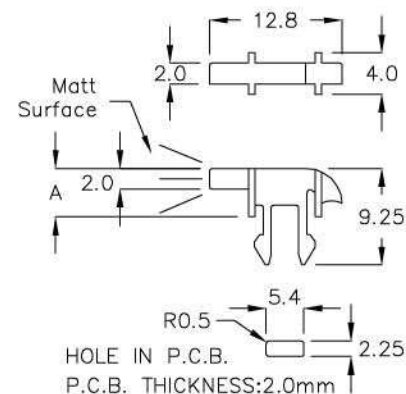
| PART NO | A   | PACKAGE |
|---------|-----|---------|
| LEFD-4A | 4.7 | 1000    |



### 導光柱 LIGHT PIPE

- MATERIAL: PC(UL)
- FLAME CLASS: 94V-0
- COLOR: CLEAR

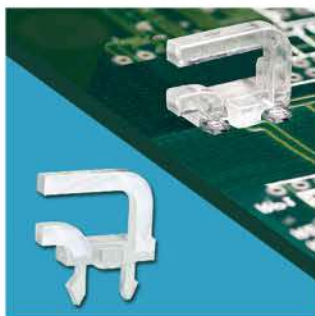
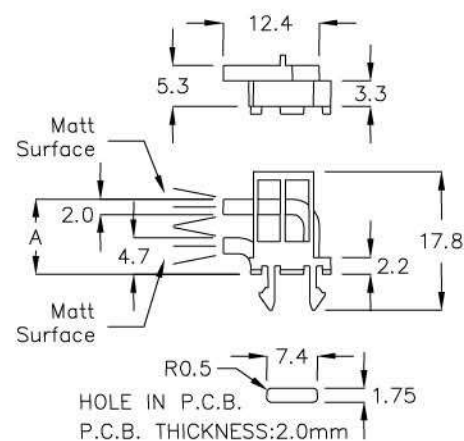
| PART NO  | A    | PACKAGE |
|----------|------|---------|
| LEFD-4RZ | 4.65 | 1000    |



### 導光柱 LIGHT PIPE

- MATERIAL: PC(UL)
- FLAME CLASS: 94V-0
- COLOR: CLEAR

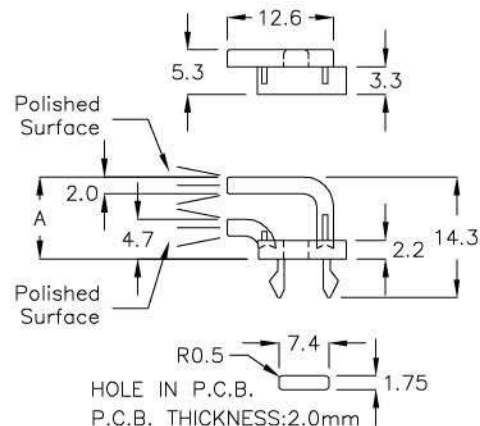
| PART NO  | A   | PACKAGE |
|----------|-----|---------|
| LEFD-9DK | 9.7 | 1000    |



### 導光柱 LIGHT PIPE

- MATERIAL: PC(UL)
- FLAME CLASS: 94V-0
- COLOR: CLEAR

| PART NO  | A   | PACKAGE |
|----------|-----|---------|
| LEFD-9MQ | 9.7 | 1000    |

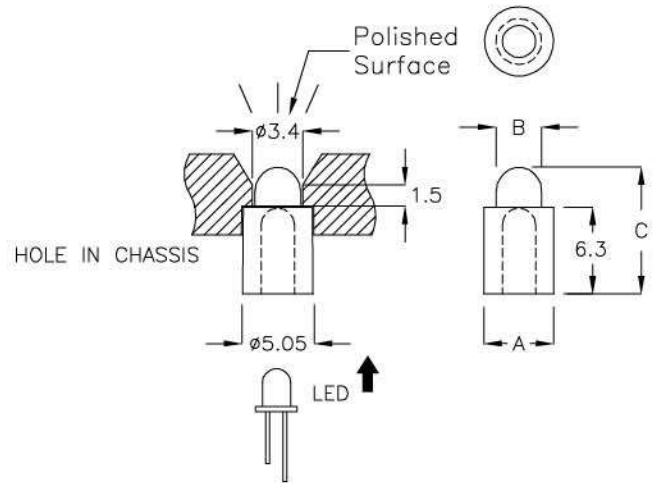




### 導光柱 LIGHT PIPE

1-45-1

- MATERIAL: PC(UL)
- FLAME CLASS: 94V-2
- COLOR: CLEAR



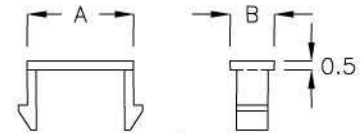
| PART NO | A          | B          | C   | PACKAGE |
|---------|------------|------------|-----|---------|
| HHQ-01  | $\phi 5.0$ | $\phi 3.3$ | 9.2 | 2000    |



### 保護蓋 COVER

1-45-2

- MATERIAL: PC(UL)
- FLAME CLASS: 94V-2
- COLOR: CLEAR



| PART NO | A   | B   | PACKAGE |
|---------|-----|-----|---------|
| BHB-06  | 6.0 | 2.5 | 2000    |

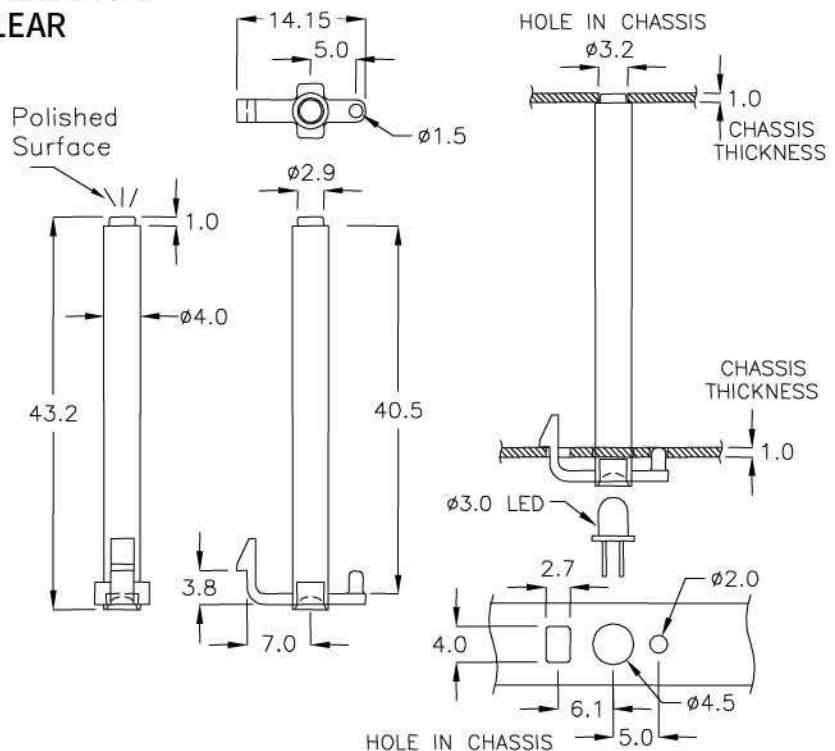
HOLE IN CHASSIS  
CHASSIS THICKNESS: 1.9mm



### 導光柱 LIGHT PIPE

1-45-3

- MATERIAL: PC(UL)
- FLAME CLASS: 94V-0
- COLOR: CLEAR



| PART NO   | A    | B    | C          | PACKAGE |
|-----------|------|------|------------|---------|
| LEAD-43KT | 43.2 | 40.5 | $\phi 2.9$ | 200     |

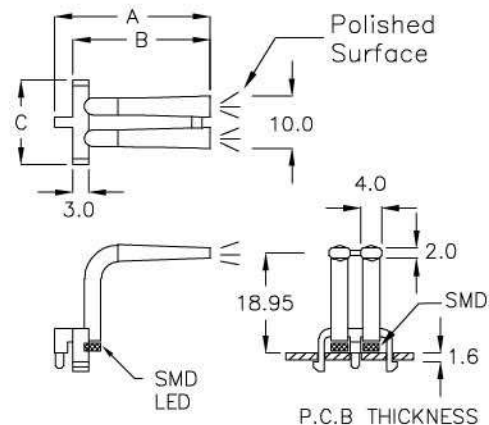
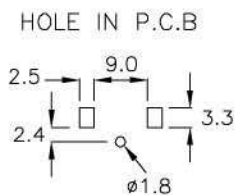


### 導光柱 LIGHT PIPE

1-46-1

- MATERIAL: PC(UL)
- FLAME CLASS: 94V-2
- COLOR: CLEAR

| PART NO | A    | B    | C    | PACKAGE |
|---------|------|------|------|---------|
| LEAD-25 | 29.7 | 26.2 | 16.0 | 500     |

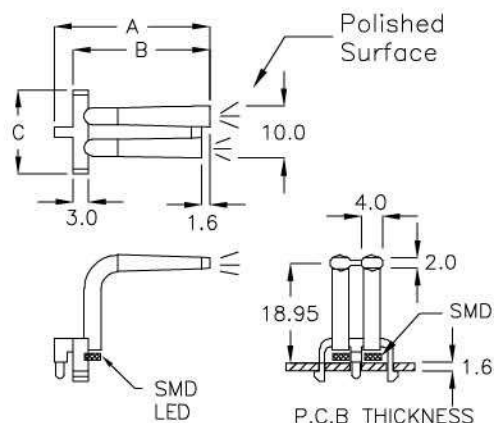
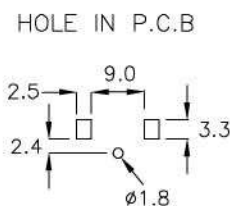


### 導光柱 LIGHT PIPE

1-46-2

- MATERIAL: PC(UL)
- FLAME CLASS: 94V-2
- COLOR: CLEAR

| PART NO | A    | B    | C    | PACKAGE |
|---------|------|------|------|---------|
| LEAD-26 | 29.7 | 26.2 | 16.0 | 500     |

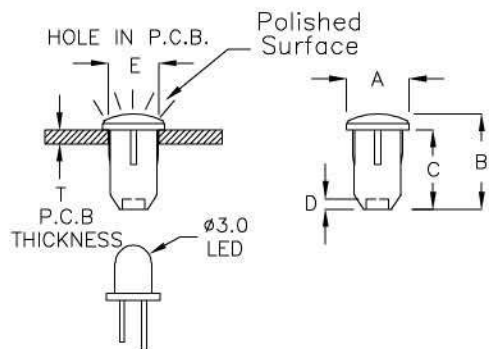


### 導光柱 LIGHT PIPE

1-46-3

- MATERIAL: PC(UL)
- FLAME CLASS: 94V-0
- COLOR: CLEAR

| PART NO  | A   | B   | C   | D   | E   | T    | PACKAGE |
|----------|-----|-----|-----|-----|-----|------|---------|
| LEAD-7QS | 5.0 | 7.7 | 6.4 | 0.8 | 3.9 | ≥2.0 | 2000    |

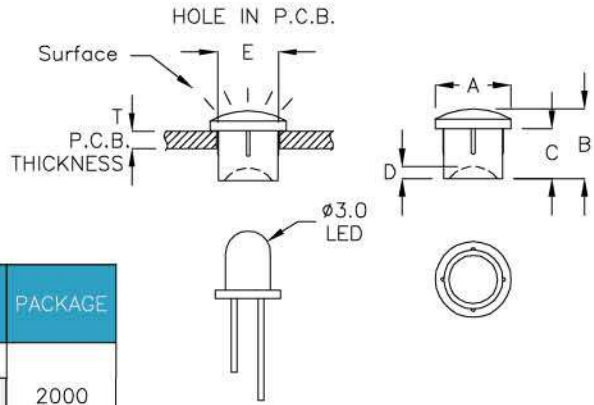




導光柱 LIGHT PIPE

1-47-1

- MATERIAL: PC(UL)
- FLAME CLASS: 94V-2
- COLOR: CLEAR



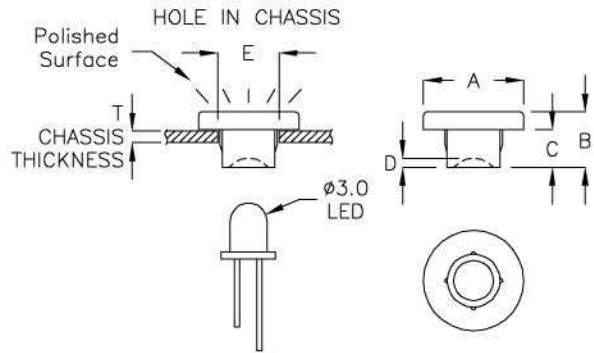
| PART NO   | A    | B    | C    | D   | E HOLE IN P.C.B. | T P.C.B. THICKNESS | SURFACE  | PACKAGE |
|-----------|------|------|------|-----|------------------|--------------------|----------|---------|
| LEAD-4RK  | ø3.8 | 3.95 | 2.95 | 0.4 | ø3.1             | ≥ 1.4              | Matt     | 2000    |
| LEAD-28   | ø5.0 | 4.6  | 3.3  | 0.8 | ø3.96            | ≥ 1.6              | Matt     |         |
| LEAD-28AM | ø5.0 | 4.6  | 3.3  | 0.8 | ø3.96            | ≥ 1.6              | Polished |         |



導光柱 LIGHT PIPE

1-47-2

- MATERIAL: PC(UL)
- FLAME CLASS: 94V-2
- COLOR: CLEAR



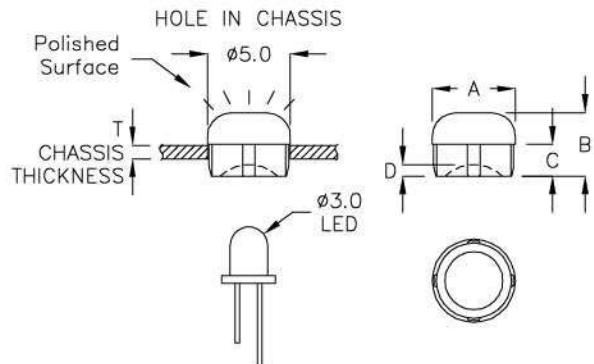
| PART NO  | A    | B    | C    | D   | E HOLE IN CHASSIS | T CHASSIS THICKNESS | PACKAGE |
|----------|------|------|------|-----|-------------------|---------------------|---------|
| LEVD-5GS | ø5.5 | 3.05 | 2.05 | 0.5 | ø3.0              | ≥ 2.0               | 2000    |



導光柱 LIGHT PIPE

1-47-3

- MATERIAL: PC(UL)
- FLAME CLASS: 94V-2
- COLOR: CLEAR



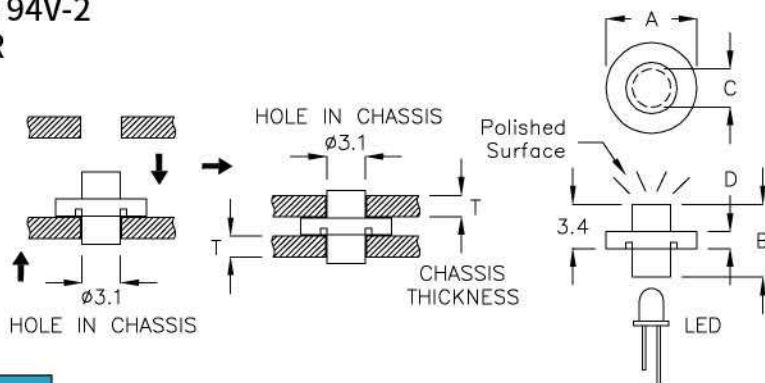
| PART NO | A     | B   | C   | D   | T CHASSIS THICKNESS | PACKAGE |
|---------|-------|-----|-----|-----|---------------------|---------|
| LEWD-04 | ø5.25 | 4.0 | 2.0 | 0.7 | ≥ 0.8               | 2000    |



### 導光柱 LIGHT PIPE

1-48-1

- MATERIAL: PC(UL)
- FLAME CLASS: 94V-2
- COLOR: CLEAR



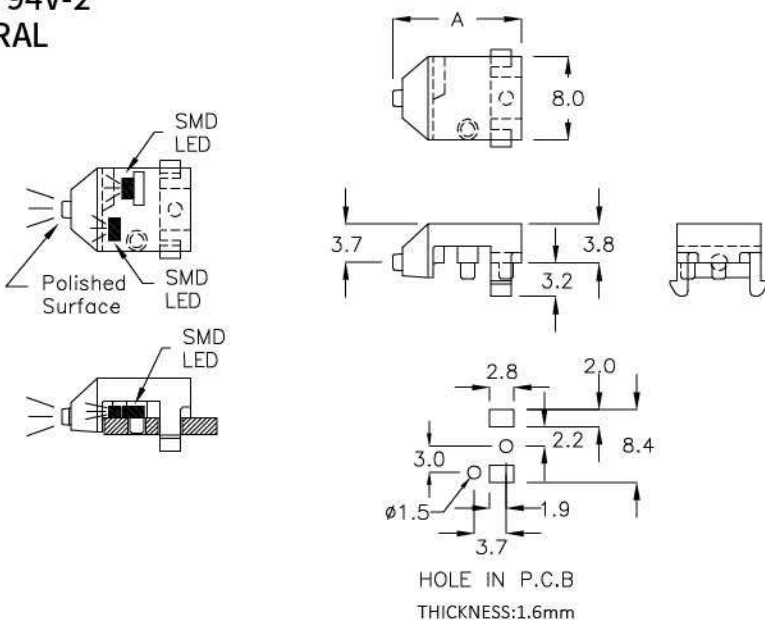
| PART NO | A          | B   | C           | D   | T<br>CHASSIS<br>THICKNESS | PACKAGE |
|---------|------------|-----|-------------|-----|---------------------------|---------|
| LEAD-5A | $\phi 7.0$ | 5.6 | $\phi 2.95$ | 1.3 | 2.0                       | 2000    |



### 導光柱 LIGHT PIPE

1-48-2

- MATERIAL: PC(UL)
- FLAME CLASS: 94V-2
- COLOR: NATURAL



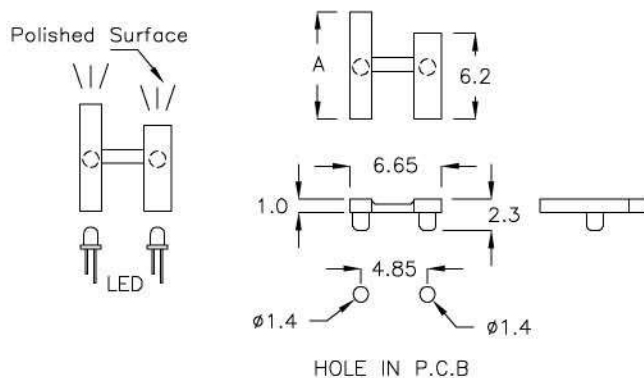
| PART NO  | A    | P.C.B.<br>THICKNESS | PACKAGE |
|----------|------|---------------------|---------|
| LESD-12K | 12.4 | 1.6                 | 1000    |



### 導光柱 LIGHT PIPE

1-48-3

- MATERIAL: PC(UL)
- FLAME CLASS: 94V-2
- COLOR: CLEAR



| PART NO | A    | P.C.B.<br>THICKNESS | PACKAGE |
|---------|------|---------------------|---------|
| LETD-6K | 7.75 | 1.6                 | 2000    |



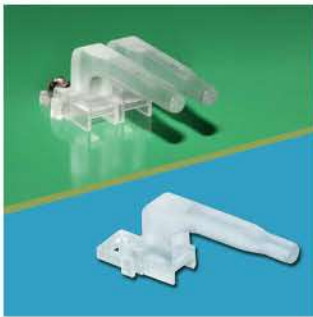
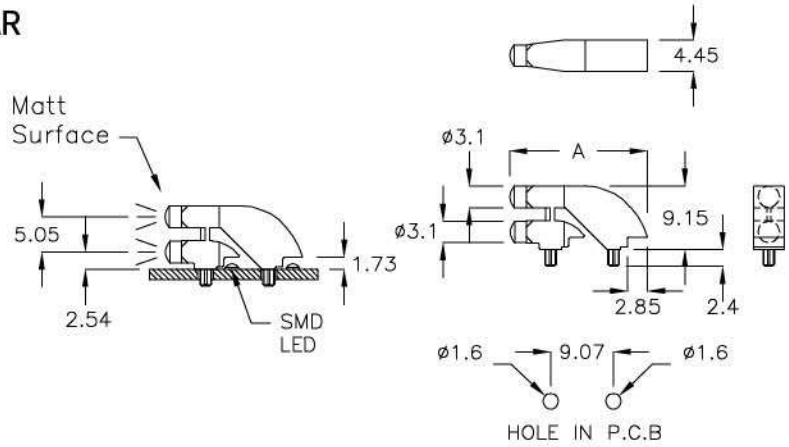


導光柱 LIGHT PIPE

1-49-1

- MATERIAL: PC
- FLAME CLASS: 94V-0
- COLOR: CLEAR

| PART NO  | A     | P.C.B. THICKNESS | PACKAGE |
|----------|-------|------------------|---------|
| LEJD-19K | 19.85 | 1.6              | 500     |

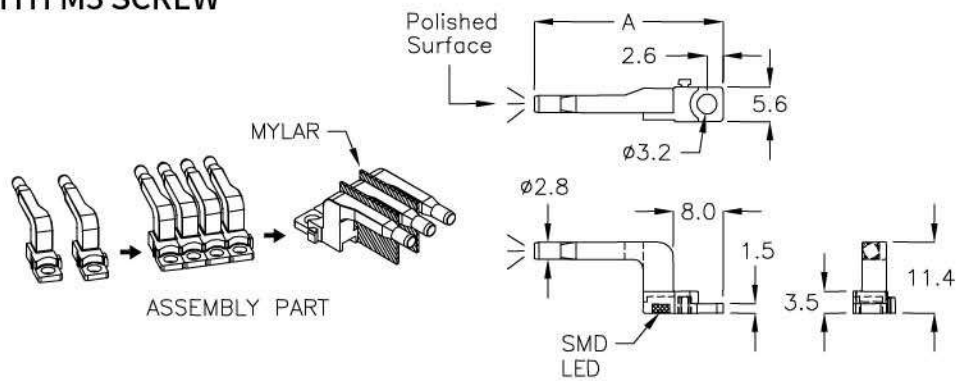


導光柱 LIGHT PIPE

1-49-2

- MATERIAL: PC(UL)
- FLAME CLASS: 94V-2
- COLOR: CLEAR
- WITH M3 SCREW

| PART NO   | A    | PACKAGE |
|-----------|------|---------|
| LEAD-29CT | 30.5 | 500     |

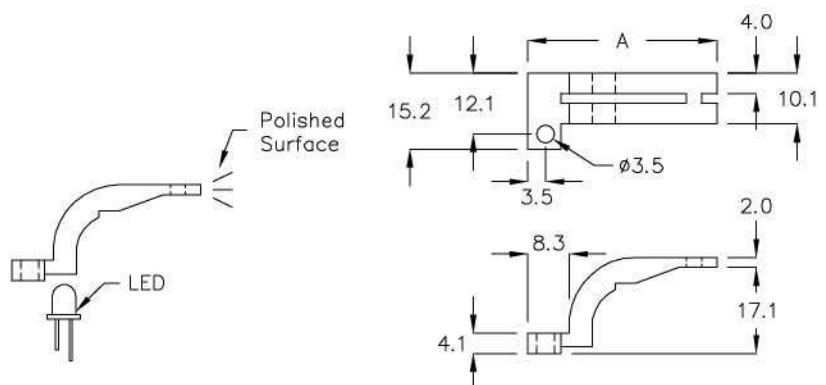


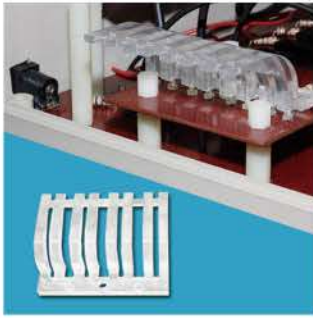
導光柱 LIGHT PIPE

1-49-3

- MATERIAL: PMMA
- COLOR: CLEAR

| PART NO | A    | PACKAGE |
|---------|------|---------|
| LEAD-2  | 37.5 | 500     |



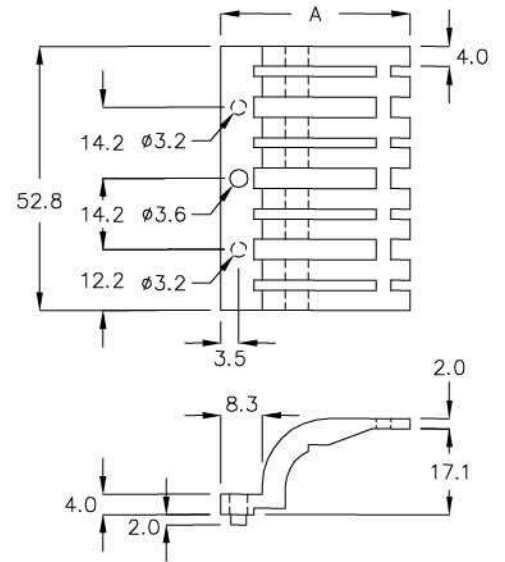
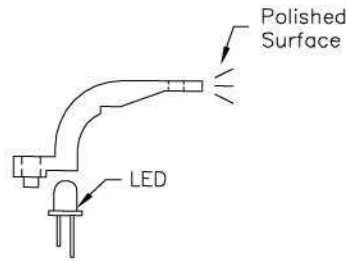


| PART NO | A    | PACKAGE |
|---------|------|---------|
| LEAD-8  | 37.5 | 100     |

### 導光柱 LIGHT PIPE

1-50-1

- MATERIAL: PMMA
- COLOR: CLEAR

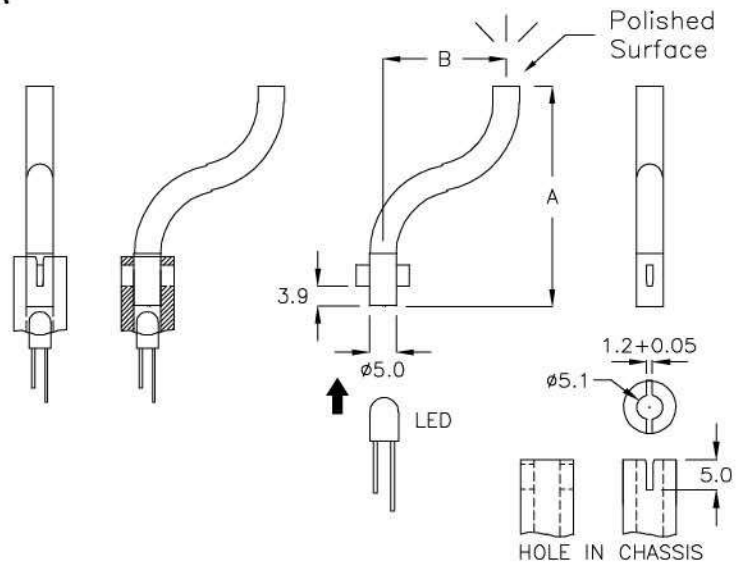


| PART NO | A    | B    | PACKAGE |
|---------|------|------|---------|
| LEAD-10 | 41.5 | 23.3 | 500     |
| LEAD-11 | 45.5 | 23.3 |         |
| LEAD-12 | 76.5 | 23.3 |         |

### 導光柱 LIGHT PIPE

1-50-2

- MATERIAL: PMMA
- COLOR: CLEAR

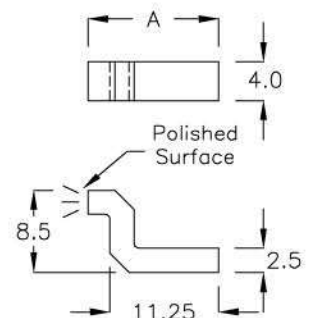
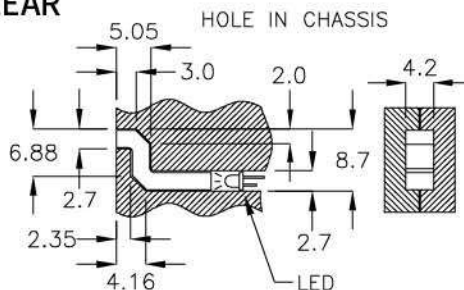


| PART NO  | A    | PACKAGE |
|----------|------|---------|
| LEQD-13K | 13.5 | 2000    |

### 導光柱 LIGHT PIPE

1-50-3

- MATERIAL: PC(UL)
- FLAME CLASS: 94V-2
- COLOR: CLEAR



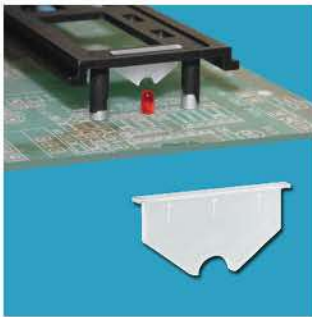
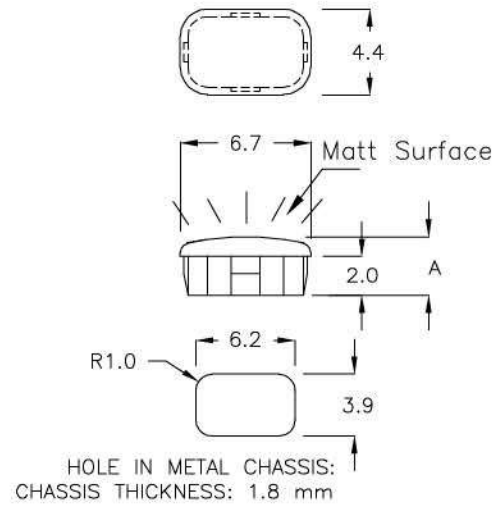


導光柱 LIGHT PIPE

1-51-1

- MATERIAL: PC(UL)
- FLAME CLASS: 94V-2
- COLOR: CLEAR

| PART NO | A   | PACKAGE |
|---------|-----|---------|
| LECD-3K | 3.0 | 1000    |

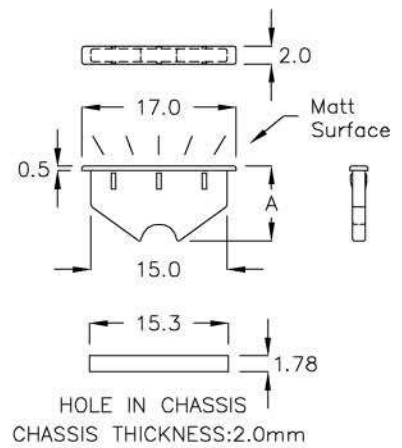


導光柱 LIGHT PIPE

1-51-2

- MATERIAL: PC(UL)
- FLAME CLASS: 94V-2
- COLOR: NATURAL

| PART NO  | A   | PACKAGE |
|----------|-----|---------|
| LEWA-17C | 8.2 | 1000    |

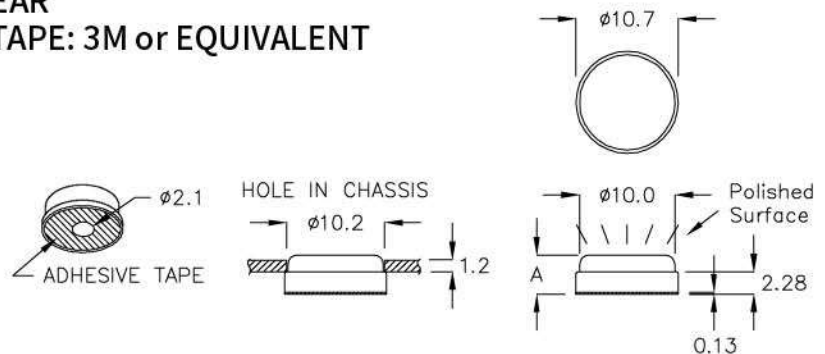


導光柱 LIGHT PIPE

1-51-3

- MATERIAL: PMMA
- COLOR: CLEAR
- ADHESIVE TAPE: 3M or EQUIVALENT

| PART NO | A    | PACKAGE |
|---------|------|---------|
| LERD-3K | 4.03 | 2000    |

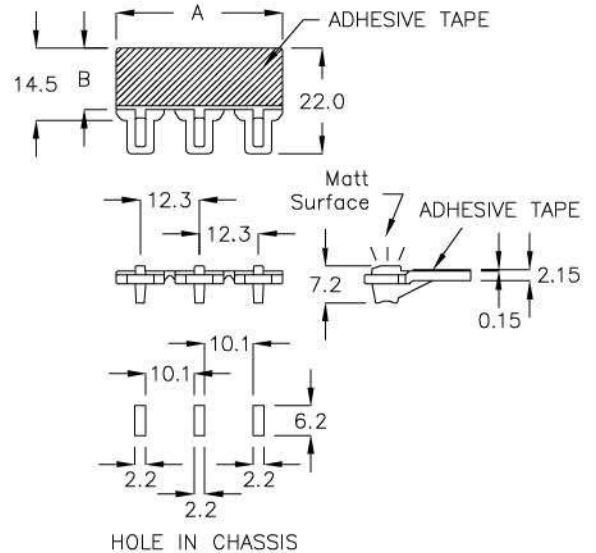




### 導光柱 LIGHT PIPE

1-52-1

- MATERIAL: PC(UL)
- FLAME CLASS: 94V-2
- COLOR: NATURAL
- ADHESIVE TAPE: 3M



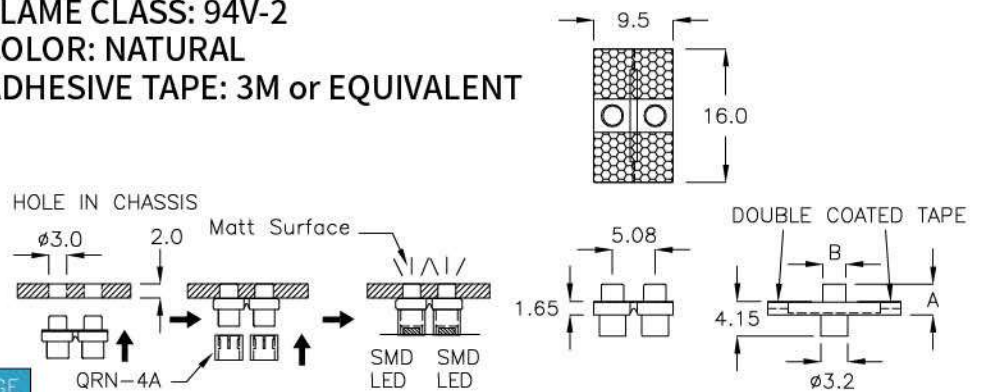
| PART NO  | A    | B    | PACKAGE |
|----------|------|------|---------|
| LEND-22A | 34.6 | 12.8 | 200     |



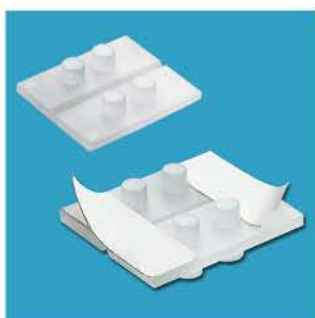
### 導光柱 LIGHT PIPE

1-52-2

- MATERIAL: PC(UL)
- FLAME CLASS: 94V-2
- COLOR: NATURAL
- ADHESIVE TAPE: 3M or EQUIVALENT



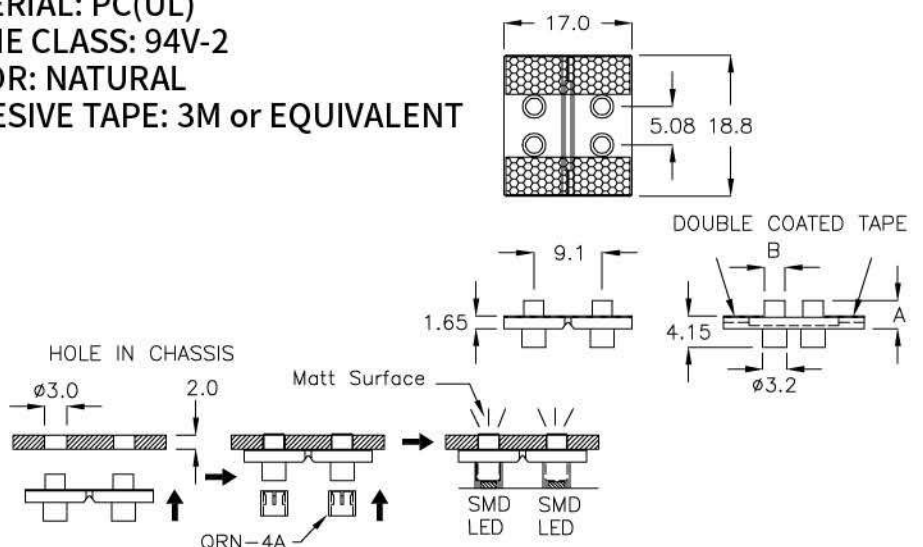
| PART NO  | A   | B      | PACKAGE |
|----------|-----|--------|---------|
| LEGD-2A  | 3.7 | 2xφ2.7 | 1000    |
| LEGD-2KM | 3.3 | 2xφ2.7 |         |



### 導光柱 LIGHT PIPE

1-52-3

- MATERIAL: PC(UL)
- FLAME CLASS: 94V-2
- COLOR: NATURAL
- ADHESIVE TAPE: 3M or EQUIVALENT



| PART NO  | A   | B      | PACKAGE |
|----------|-----|--------|---------|
| LEGD-4C  | 3.7 | 4xφ2.7 | 1000    |
| LEGD-4QN | 3.3 | 4xφ2.7 |         |

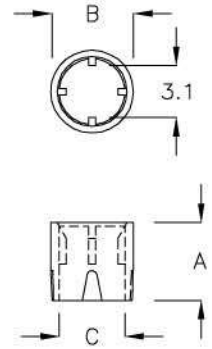


### 遮光罩 LIGHT COVER

- MATERIAL: NYLON 66(UL)
- FLAME CLASS: 94V-2
- COLOR: BLACK

1-53-1

| PART NO | A   | B    | C    | PACKAGE |
|---------|-----|------|------|---------|
| QRN-4A  | 4.7 | ∅5.0 | ∅4.0 | 2000    |

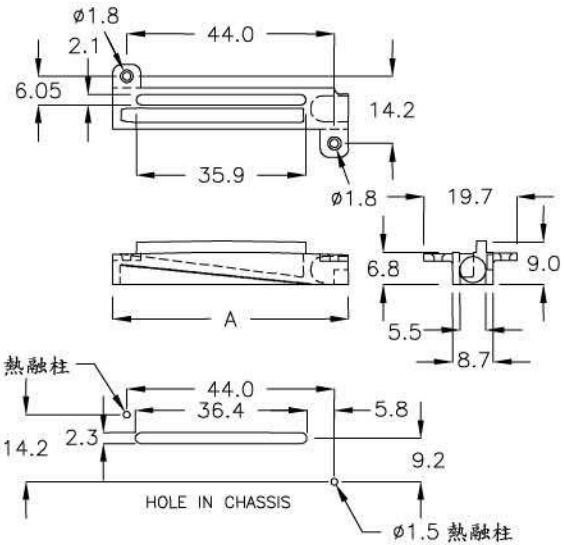
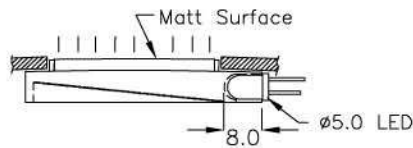


### 導光柱 LIGHT PIPE

- MATERIAL: PC(UL)
- FLAME CLASS: 94V-2
- COLOR: CLEAR

1-53-2

| PART NO  | A    | PACKAGE |
|----------|------|---------|
| LEAD-1KC | 50.0 | 500     |

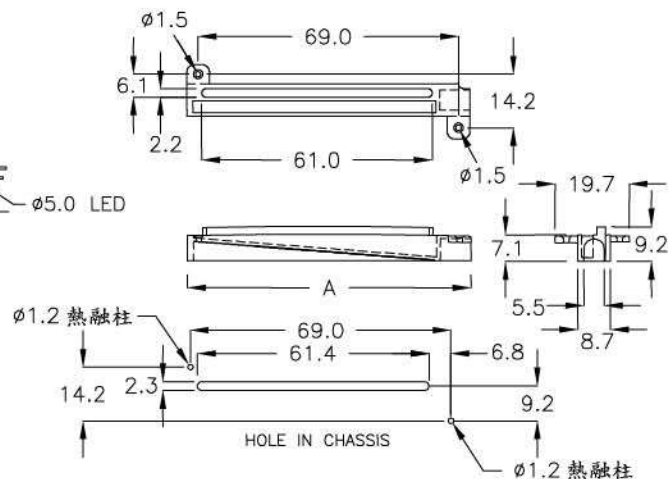
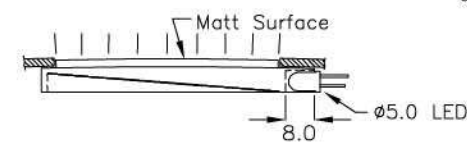


### 導光柱 LIGHT PIPE

- MATERIAL: PC(UL)
- FLAME CLASS: 94V-2
- COLOR: CLEAR

1-53-3

| PART NO  | A    | PACKAGE |
|----------|------|---------|
| LEAD-1NJ | 75.0 | 100     |



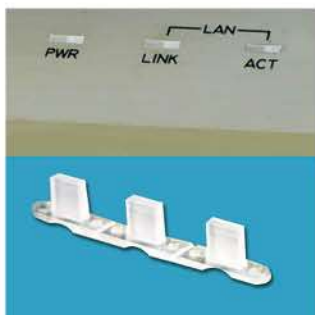
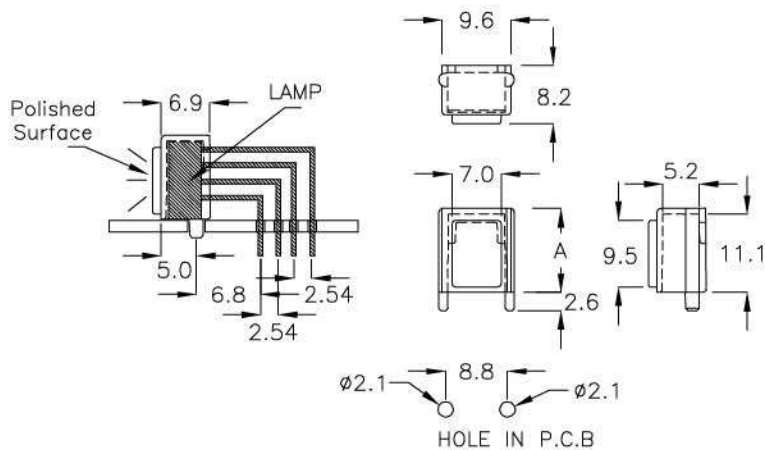


LED 導光罩 LED CAP

1-54-1

- MATERIAL: PC(UL)
- FLAME CLASS: 94V-0
- COLOR: NATURAL

| PART NO   | A    | PACKAGE |
|-----------|------|---------|
| LDHD-12MG | 11.9 | 1000    |

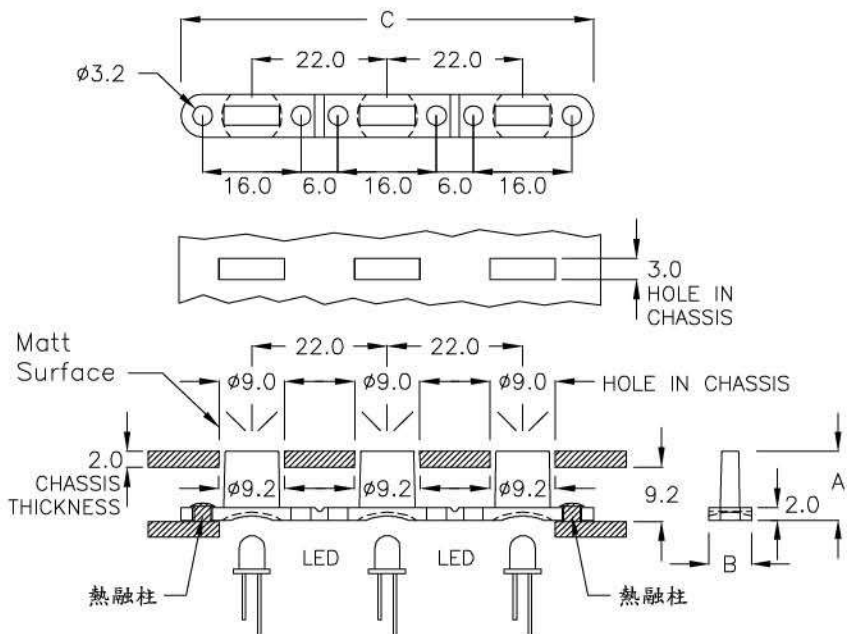


導光柱 LIGHT PIPE

1-54-2

- MATERIAL: PC(UL)
- FLAME CLASS: 94V-2
- COLOR: NATURAL

| PART NO  | A    | B   | C    | PACKAGE |
|----------|------|-----|------|---------|
| LEXD-67D | 11.2 | 7.0 | 67.0 | 200     |

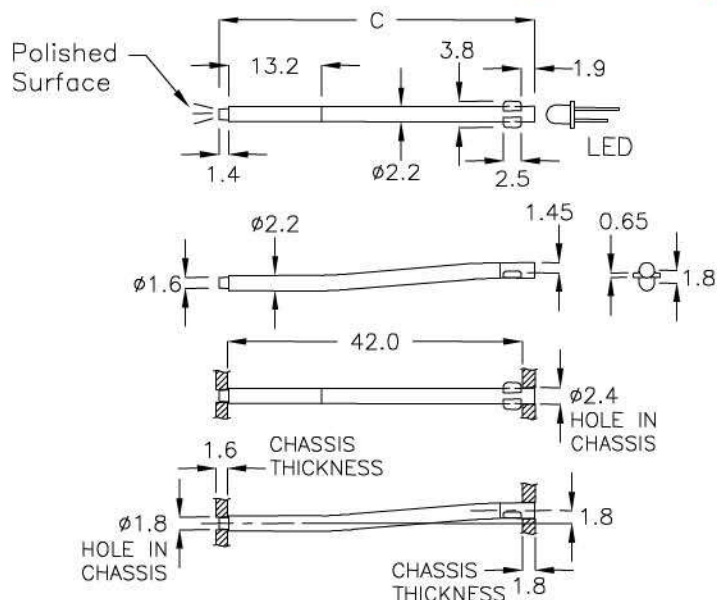


導光棒 LIGHT PIPE

1-54-3

- MATERIAL: PC(UL)
- FLAME CLASS: 94V-0
- COLOR: CLEAR

| PART NO   | C    | PACKAGE |
|-----------|------|---------|
| LDAD-45AT | 44.9 | 2000    |

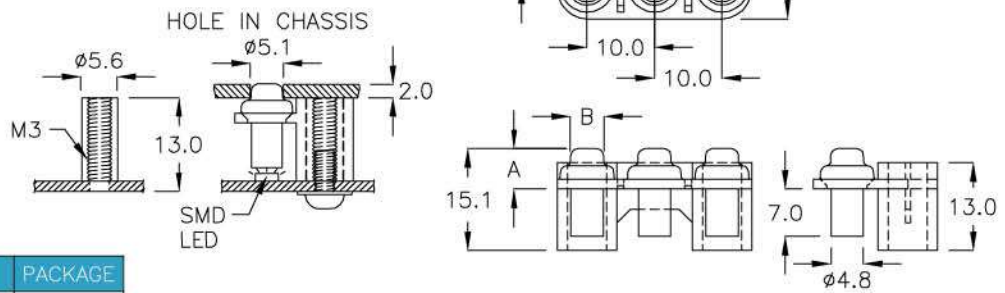




導光柱 LIGHT PIPE

1-55-1

- MATERIAL: PC(UL)
- FLAME CLASS: 94V-2
- COLOR: CLEAR



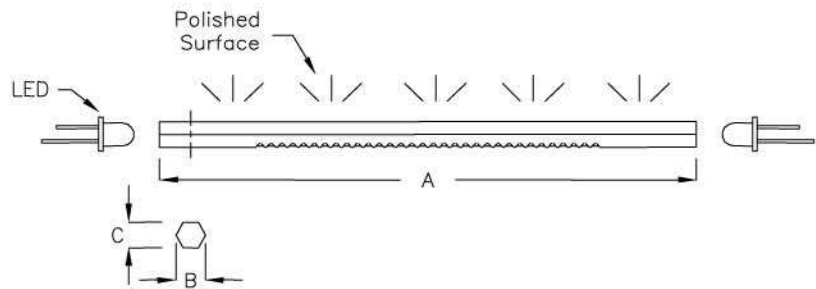
| PART NO   | A   | B     | C    | PACKAGE |
|-----------|-----|-------|------|---------|
| LEWF-28HS | 6.0 | φ4.95 | 28.8 | 500     |



導光柱 LIGHT PIPE

1-55-2

- MATERIAL: PC(UL)
- FLAME CLASS: 94V-2
- COLOR: CLEAR



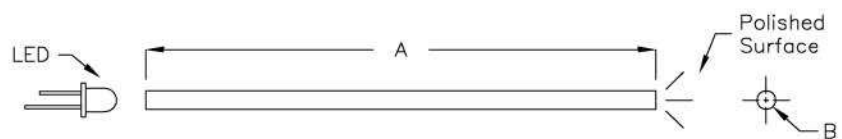
| PART NO | A     | B    | C    | PACKAGE |
|---------|-------|------|------|---------|
| LEAD-50 | 113.0 | 2.75 | 2.38 | 200     |



導光柱 LIGHT PIPE

1-55-3

- MATERIAL: PC(UL)
- FLAME CLASS: 94V-2
- COLOR: CLEAR



| PART NO | A    | B    | PACKAGE |
|---------|------|------|---------|
| LEAD-81 | 81.0 | φ3.0 | 500     |





護線環

SNAP BUSHING

02



塞環

HOLE PLUG



線扣  
BUSHING

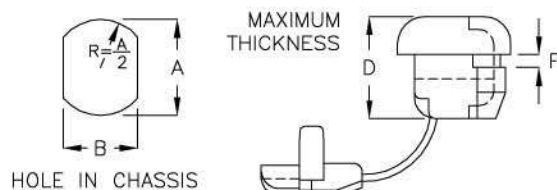




### 電源線扣 STRAIN RELIEF BUSHING

2-2-1

- MATERIAL: NYLON 66(UL)
- FLAME CLASS: 94V-2
- COLOR: BLACK



PG Cord Bushings are the easy and low-cost way to insulate and protect your AC Cords. Provide non-slip grip and will not damage the insulation of AC Cord.



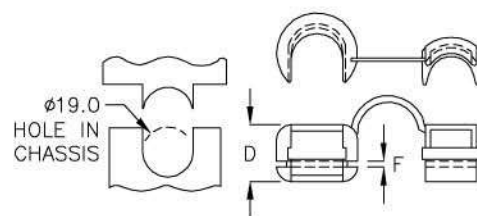
| PART NO | SUITABLE CABLE TYPE & DIMENSIONS OF CHASSIS |                   |           |      |                       |                     | D PART LENGTH | UL | PACKAGE |     |
|---------|---|-------------------|-----------|------|-----------------------|---------------------|---------------|----|---------|-----|
|         | CROSS SECTION SHAPE                         | WIRE ACCOMMODATED | SIZE      | A    | B TO PREVENT ROTATION | F MAXIMUM THICKNESS |               |    |         |     |
| 2RF-2   | FLAT  | SPT-1             | 2.8x5.3   | 9.5  | 8.7                   | 3.2                 | 10.8          | UL | 500     |     |
| 3RF-1   | FLAT  | SPT-2             | 3.0x5.6   | 11.1 | 9.9                   | 2.6                 | 10.3          |    |         |     |
| 3RF-2   | FLAT  | SPT-2             | 3.0x5.6   | 11.1 | 10.1                  | 1.6                 | 10.3          | UL |         |     |
| 4RF-4   | FLAT  | SPT-2             | 3.0x5.6   | 12.7 | 11.5                  | 2.5                 | 11.2          | UL |         |     |
| 4RF-5   | FLAT  | SPT-2             | 3.8x7.6   | 12.7 | 11.8                  | 1.6                 | 10.4          | UL |         |     |
| 4RF-6   | FLAT  | SPT-2             | 3.0x6.5   | 12.5 | 11.6                  | 2.7                 | 10.5          | UL |         |     |
| 5R-2    | ROUND                                       | SVI               | 7.6       | 12.7 | 11.5                  | 1.6                 | 11.3          |    |         |     |
| 5R-4    | ROUND                                       | SV,SVT            | 6.4       | 12.7 | 11.5                  | 1.6                 | 11.3          | UL |         |     |
| 5R-4A   | ROUND                                       | SV,SVT            | 6.4       | 12.7 | 11.5                  | 2.5                 | 11.0          | UL |         |     |
| 5RF-4   | FLAT  | SPT-2             | 3.8x8.9   | 14.3 | 13.4                  | 1.6                 | 15.45         | UL | 200     |     |
|         |   | SPT-3             | 5.0x10.0  |      |                       |                     |               |    |         |     |
| 6R-4    | ROUND                                       | SVI               | 7.6       | 15.9 | 14.0                  | 1.6                 | 14.9          | UL |         |     |
| 6R-6    | ROUND                                       | SJ,SJT            | 8.2       | 15.9 | 14.0                  | 1.6                 | 14.5          | UL |         |     |
| 6R-6A   | ROUND                                       | SJ,SJT            | 8.2       | 15.9 | 14.0                  | 3.2                 | 14.5          |    |         |     |
| 7R-2    | ROUND                                       | S,ST              | 9.2-10.5  | 19.0 | 16.8                  | 1.6                 | 19.0          | UL |         | 100 |
|         |   |                   | 11.0      | 19.8 |                       |                     |               |    |         |     |
| 7R-2A   | ROUND                                       | S,ST              | 9.2-10.5  | 19.0 | 16.8                  | 3.2                 | 19.0          | UL |         |     |
|         |   |                   | 11.0      | 19.8 |                       |                     |               |    |         |     |
| 7R-2LT  | ROUND                                       | SJT               | 9.6-10.0  | 19.0 | 16.8                  | 1.0                 | 15.0          |    |         |     |
| 8R-2    | ROUND                                       | SJT               | 13.5-15.2 | 22.2 | 21.5                  | 3.2                 | 20.0          | UL |         |     |
| 8R-2A   | ROUND                                       | SJT               | 13.5      | 23.0 | 22.0                  | 2.0                 | 19.9          |    |         |     |
| 9R-2    | ROUND                                       | SJT               | 15.2-16.3 | 28.0 | 25.2                  | 2.4                 | 25.6          |    | 50      |     |
|         |   |                   | 17.5      | 30.2 | 25.2                  | 6.7                 |               |    |         |     |
| 9R-2A   | ROUND                                       | SJT               | 15.5      | 28.0 | 25.2                  | 2.4                 | 14.5          |    | 100     |     |
| 9R-2B   | ROUND                                       | SJT               | 18.2      | 28.0 | 25.2                  | 2.4                 | 23.9          |    | 50      |     |



### 電源線扣 STRAIN RELIEF BUSHING

2-2-2

- MATERIAL: NYLON 66(UL)
- FLAME CLASS: 94V-2
- COLOR: BLACK

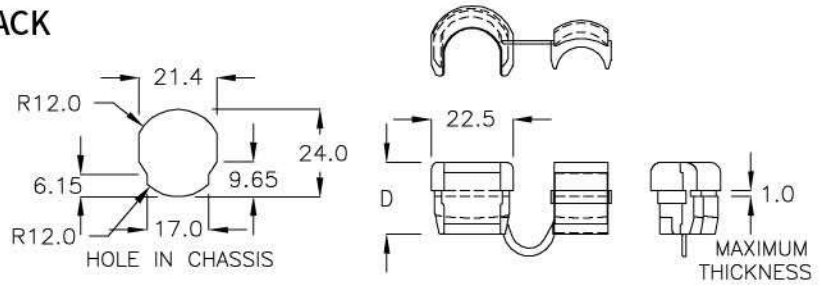


| PART NO | SUITABLE CABLE TYPE & DIMENSIONS OF CHASSIS |                   |      |                     | D PART LENGTH | UL | PACKAGE |
|---------|---|-------------------|------|---------------------|---------------|----|---------|
|         | CROSS SECTION SHAPE                         | WIRE ACCOMMODATED | SIZE | F MAXIMUM THICKNESS |               |    |         |
| 7R-7    | ROUND                                       | S.P.S             | 14.0 | 1.6                 | 17.6          | UL | 100     |
| 7R-7B   | ROUND                                       | S.P.S             | 12.5 | 1.3                 | 17.5          |    |         |
| 7R-7C   | ROUND                                       | S.P.S             | 13.5 | 1.3                 | 17.6          |    |         |
| 7R-7E   | ROUND                                       | S.P.S             | 12.0 | 1.6                 | 17.7          |    |         |



電源線扣 STRAIN RELIEF BUSHING ———— 2-3-1

- MATERIAL: NYLON 66(UL)
- FLAME CLASS: 94V-2
- COLOR: BLACK

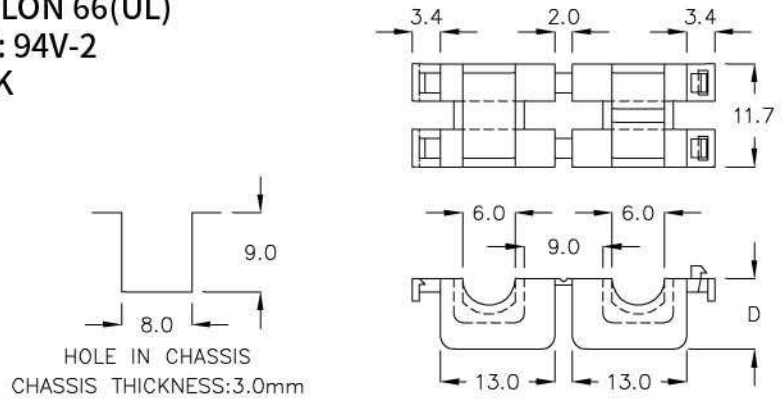


| PART NO | D    | WIRE ACCOMMODATED | PACKAGE |
|---------|------|-------------------|---------|
| 8R-2QT  | 19.8 | φ15.0             | 100     |



電源線扣 STRAIN RELIEF BUSHING ———— 2-3-2

- MATERIAL: NYLON 66(UL)
- FLAME CLASS: 94V-2
- COLOR: BLACK

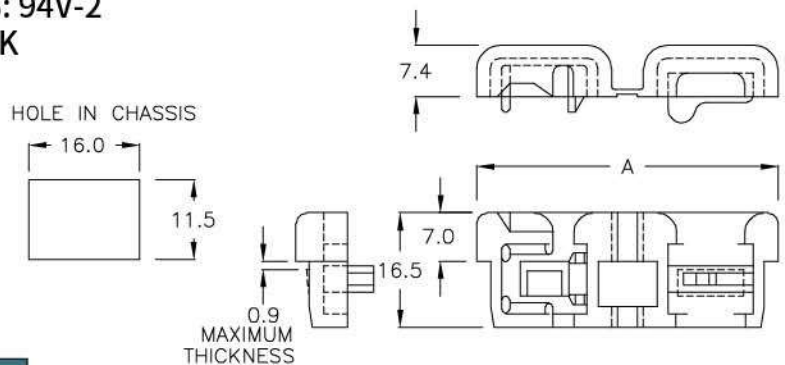


| PART NO | D   | PACKAGE |
|---------|-----|---------|
| 5R-1    | 8.0 | 200     |



電源線扣 STRAIN RELIEF BUSHING ———— 2-3-3

- MATERIAL: NYLON 66(UL)
- FLAME CLASS: 94V-2
- COLOR: BLACK

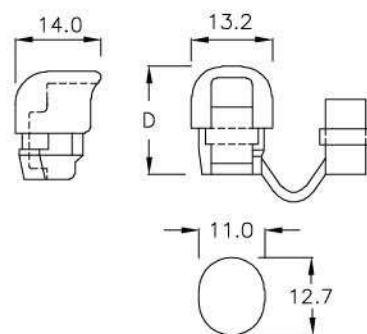


| PART NO | A    | WIRE ACCOMMODATED | UL | PACKAGE |
|---------|------|-------------------|----|---------|
| 5RF-5A  | 42.6 | SPT-2             | UL | 200     |
| 5RF-5B  | 42.8 | SPT-2             | UL |         |
| 5RF-5D  | 42.8 | SPT-2             |    |         |



電源線扣 STRAIN RELIEF BUSHING ———— 2-4-1

- MATERIAL: NYLON 66(UL)
- FLAME CLASS: 94V-2
- COLOR: BLACK



HOLE IN CHASSIS

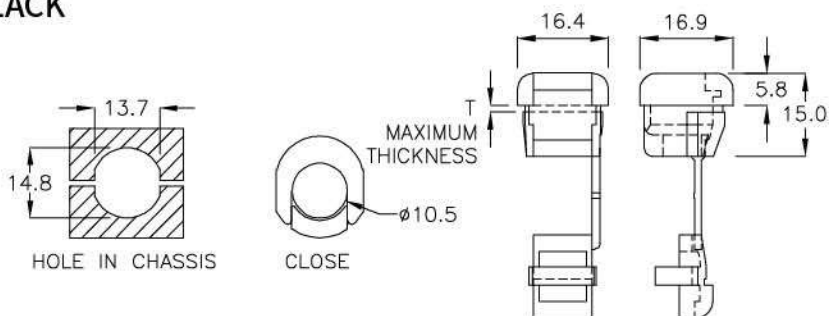


| PART NO | WIRE ACCOMMODATED | MAXIMUM THICKNESS | D    | UL | PACKAGE |
|---------|-------------------|-------------------|------|----|---------|
| 5R-6    | SPT-2(3x6.6)      | 2.5               | 17.6 | UL | 200     |
| 5R-7    | SV(ø6)            | 2.5               | 17.7 | UL |         |



電源線扣 STRAIN RELIEF BUSHING ———— 2-4-2

- MATERIAL: NYLON 66(UL)
- FLAME CLASS: 94V-2
- COLOR: BLACK



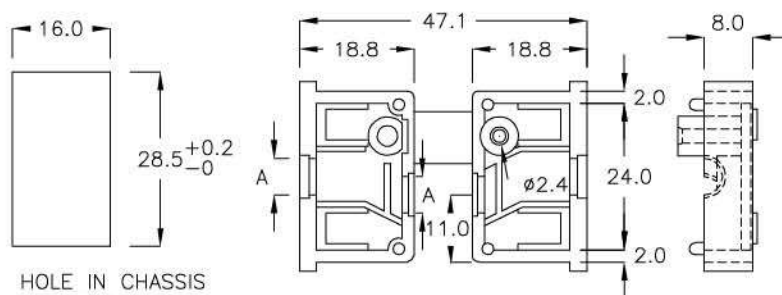
HOLE IN CHASSIS

| PART NO | MAXIMUM THICKNESS:T | PACKAGE |
|---------|---------------------|---------|
| 7R-2D   | 1.0                 | 100     |



電源線扣 STRAIN RELIEF BUSHING ———— 2-4-3

- MATERIAL: NYLON 66(UL)
- FLAME CLASS: 94V-2
- COLOR: GRAY,BLACK



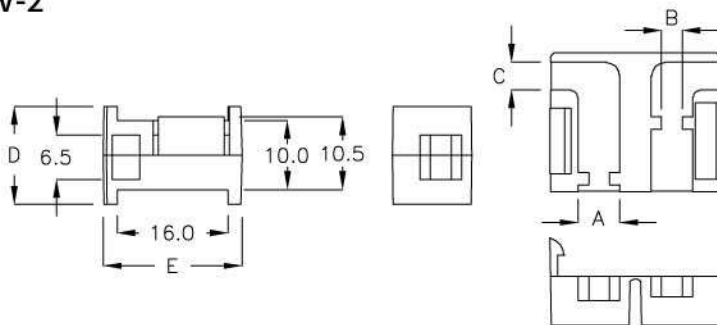
HOLE IN CHASSIS  
MAXIMUM THICKNESS:1.2mm

| PART NO | A    | PACKAGE |
|---------|------|---------|
| 6R-9    | ø6.0 | 100     |
| 6R-09C  | ø8.5 | 200     |



電源線扣 STRAIN RELIEF BUSHING ———— | 2-5-1 |

- MATERIAL: NYLON 66(UL)
- FLAME CLASS: 94V-2
- COLOR: BLACK

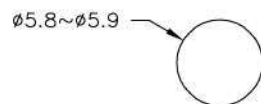
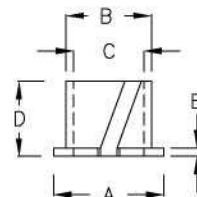
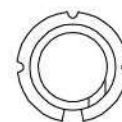


| PART NO | A   | B   | C   | D    | E    | PACKAGE |
|---------|-----|-----|-----|------|------|---------|
| 2RF-25  | 6.0 | 3.2 | 4.0 | 14.0 | 20.0 | 500     |



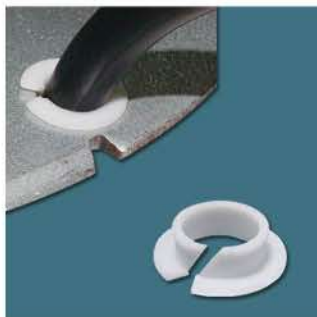
保護座 PROTECT HOUSING ———— | 2-5-2 |

- MATERIAL: NYLON 66(UL)
- FLAME CLASS: 94V-2
- COLOR: NATURAL



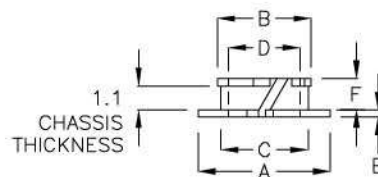
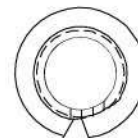
HOLE IN CHASSIS

| PART NO | A    | B    | C     | D   | E   | PACKAGE |
|---------|------|------|-------|-----|-----|---------|
| SG-05   | ø8.0 | ø6.2 | ø5.05 | 5.4 | 0.6 | 2000    |



保護座 PROTECT HOUSING ———— | 2-5-3 |

- MATERIAL: NYLON 66(UL)
- FLAME CLASS: 94V-0
- COLOR: NATURAL



HOLE IN CHASSIS

| PART NO  | A     | B    | C    | D    | E   | F   | PACKAGE |
|----------|-------|------|------|------|-----|-----|---------|
| SG-0610A | ø11.0 | ø7.8 | ø7.3 | ø6.0 | 0.6 | 2.6 | 1000    |

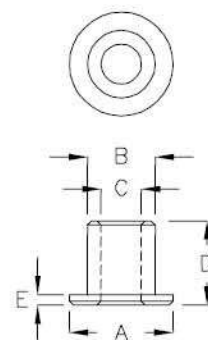


### 塞環 BUSHING

- MATERIAL: POM
- COLOR: BLACK

2-6-1

| PART NO | A    | B    | C    | D   | E   | PACKAGE |
|---------|------|------|------|-----|-----|---------|
| SLM-05  | ø8.0 | ø5.2 | ø3.1 | 6.5 | 0.8 | 1000    |

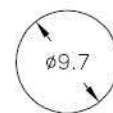
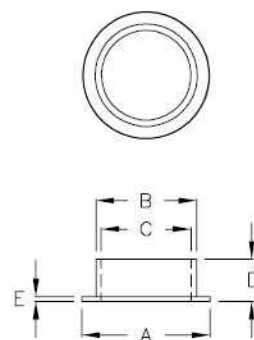


### 護線環 SNAP BUSHING

- MATERIAL: NYLON 66(UL)
- FLAME CLASS: 94V-2
- COLOR: NATURAL

2-6-2

| PART NO | A     | B    | C    | D   | E   | PACKAGE |
|---------|-------|------|------|-----|-----|---------|
| SL-0910 | ø12.2 | ø9.6 | ø8.6 | 4.0 | 0.5 | 1000    |



HOLE IN CHASSIS

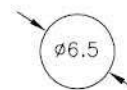
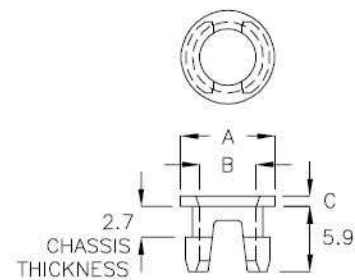


### 護線環 SNAP BUSHING

- MATERIAL: NYLON 66(UL)
- FLAME CLASS: 94V-2
- COLOR: BLACK

2-6-3

| PART NO | A   | B   | C   | PACKAGE |
|---------|-----|-----|-----|---------|
| SBK-5AQ | 8.5 | 5.1 | 0.9 | 1000    |



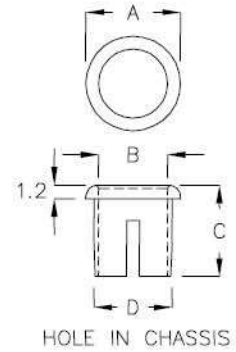
HOLE IN CHASSIS



### 護線環 SNAP BUSHING

- MATERIAL: NYLON 66(UL)
- FLAME CLASS: 94V-2
- COLOR: NATURAL

2-7-1



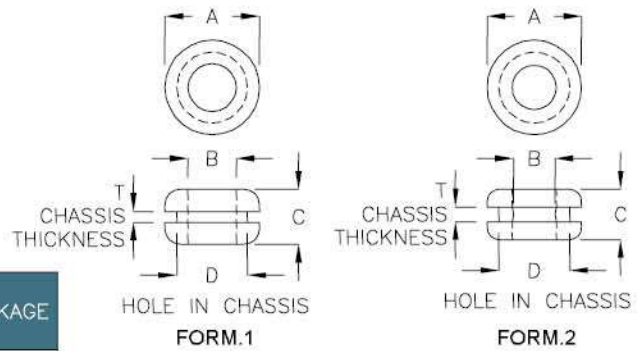
| PART NO | A    | B    | C   | D<br>HOLE IN<br>CHASSIS | PACKAGE |
|---------|------|------|-----|-------------------------|---------|
| SBD-06  | ø8.5 | ø6.2 | 8.2 | ø7.0                    | 1000    |



### 護線環 SNAP BUSHING

- MATERIAL: SILICONE
- FLAME CLASS: 94V-0
- COLOR: BLACK

2-7-2



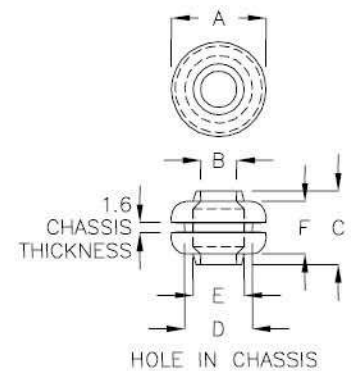
| PART NO  | A     | B    | C   | D<br>HOLE IN<br>CHASSIS | T<br>CHASSIS<br>THICKNESS | FORM | PACKAGE |
|----------|-------|------|-----|-------------------------|---------------------------|------|---------|
| WSP-8QN  | ø8.8  | ø4.4 | 5.7 | ø6.8                    | 1.6                       | 2    | 1000    |
| WSP-12F  | ø12.0 | ø6.1 | 7.0 | ø9.0                    | 1.3                       | 1    |         |
| WSP-12AC | ø12.8 | ø6.8 | 6.8 | ø10.0                   | 1.4                       | 2    | 2000    |
| WSP-16BK | ø16.0 | ø5.4 | 8.5 | ø12.0                   | 2.4                       | 2    | 1000    |
| WSP-16GR | ø16.0 | ø7.1 | 7.5 | ø12.0                   | 1.4                       | 2    |         |
| WSP-16C  | ø16.0 | ø7.1 | 8.5 | ø12.0                   | 2.4                       | 2    |         |
| WSP-20K  | ø20.0 | ø8.2 | 8.5 | ø16.0                   | 2.4                       | 2    | 500     |
| WSP-20RY | ø20.0 | ø6.8 | 8.5 | ø16.0                   | 2.4                       | 2    |         |



### 護線環 SNAP BUSHING

- MATERIAL: SILICONE
- FLAME CLASS: 94V-0
- COLOR: BLACK

2-7-3



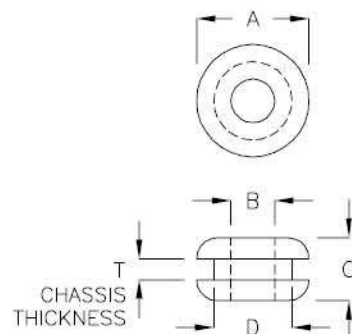
| PART NO  | A     | B    | C   | D<br>HOLE IN<br>CHASSIS | E    | F   | PACKAGE |
|----------|-------|------|-----|-------------------------|------|-----|---------|
| WSZ-9AC  | ø9.4  | ø3.1 | 8.5 | ø7.0                    | ø4.8 | 5.7 | 1000    |
| WSZ-12KM | ø12.6 | ø4.8 | 9.8 | ø8.9                    | ø6.8 | 7.0 |         |
| WSZ-13BR | ø13.9 | ø5.3 | 9.7 | ø10.4                   | ø7.3 | 6.9 |         |
| WSZ-14A  | ø15.5 | ø6.6 | 9.5 | ø12.0                   | ø8.6 | 6.7 |         |
| WSZ-14DX | ø14.2 | ø6.2 | 9.5 | ø10.6                   | ø8.2 | 6.7 |         |
| WSZ-15DZ | ø15.5 | ø6.9 | 9.7 | ø12.0                   | ø8.9 | 6.9 |         |
| WSZ-16AM | ø16.0 | ø7.4 | 9.7 | ø12.5                   | ø9.4 | 6.9 |         |



### 護線環 SNAP BUSHING

2-8-1

- MATERIAL: SILICONE
- COLOR: BLACK



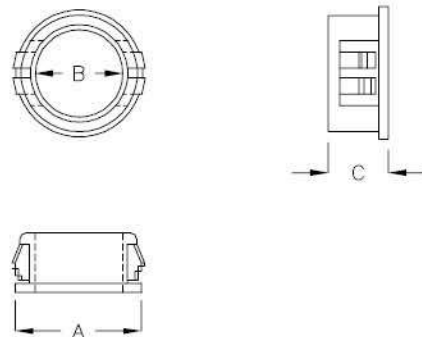
| PART NO | A    | B    | C   | D<br>HOLE IN<br>CHASSIS | T<br>CHASSIS<br>THICKNESS | PACKAGE |
|---------|------|------|-----|-------------------------|---------------------------|---------|
| SB-0603 | 8.5  | 3.3  | 4.5 | ∅5.3                    | 1.4                       | 2000    |
| SB-0806 | 10.5 | 5.5  | 5.5 | ∅7.5                    | 1.4                       | 1000    |
| SB-1208 | 16.0 | 10.0 | 8.0 | ∅12.0                   | 3.0                       |         |



### 護線環 SNAP BUSHING

2-8-2

- MATERIAL: NYLON 66(UL)
- FLAME CLASS: 94V-2
- COLOR: BLACK



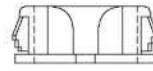
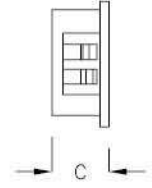
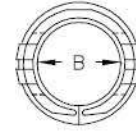
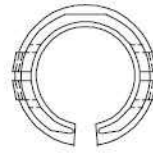
| PART NO  | CHASSIS THICKNESS | HOLE IN CHASSIS | A    | B    | C    | UL | PACKAGE |
|----------|-------------------|-----------------|------|------|------|----|---------|
| SB-4757  | 3.6~6.4           | ∅57.2           | 63.1 | 47.1 | 18.3 |    | 50      |
| SB-3845  | 1.5~3.2           | ∅44.5           | 47.7 | 35.3 | 11.6 |    | 100     |
| SB-3338K | 1.0~3.2           | ∅38.1           | 40.9 | 33.3 | 11.5 |    | 200     |
| SB-3338  | 6.4               | ∅38.1           | 41.2 | 33.3 | 14.3 |    |         |
| SB-2634  | 1.0~2.8           | ∅34.2           | 38.0 | 26.2 | 11.5 | UL | 100     |
| SB-2530  | 1.0~3.1           | ∅30.0           | 33.5 | 25.2 | 11.5 |    |         |
| SB-2428  | 1.0~3.3           | ∅28.0           | 31.5 | 24.1 | 11.3 |    | 200     |
| SB-1822  | 0.9~2.3           | ∅22.0           | 24.8 | 18.2 | 11.5 | UL |         |
| SB-1519  | 1.0~3.0           | ∅19.0           | 21.7 | 15.3 | 11.1 | UL | 500     |
| SB-1316  | 1.4~3.5           | ∅16.0           | 18.0 | 12.8 | 10.4 | UL |         |
| SB-1316K | 0.8~1.8           | ∅16.0           | 18.0 | 12.8 | 10.4 |    | 500     |
| SB-1013  | 0.8~3.0           | ∅13.0           | 15.3 | 10.2 | 9.1  | UL |         |
| SB-0710  | 0.8~1.8           | ∅10.0           | 12.1 | 7.2  | 6.6  | UL | 1000    |
| SB-0305  | 1.6~1.7           | ∅4.8            | 6.5  | 3.2  | 6.0  |    |         |



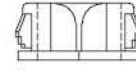


## 開口式護線環 OPEN CLOSED BUSHING — 2-9-1 |

- MATERIAL: NYLON 66(UL)
- FLAME CLASS: 94V-2
- COLOR: BLACK



OPEN



CLOSE

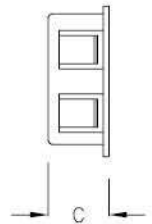
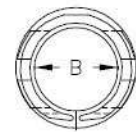
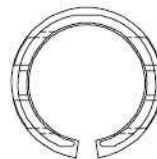


| PART NO  | CHASSIS THICKNESS | HOLE IN CHASSIS | A    | B    | C    | UL | PACKAGE |
|----------|-------------------|-----------------|------|------|------|----|---------|
| SB-1822A | 1.0~3.5           | ∅22.0           | 24.8 | 17.3 | 11.5 | UL | 200     |
| SB-1922A | 0.8~1.2           | ∅22.0           | 25.0 | 19.0 | 7.4  |    | 500     |
| SB-1720A | 0.8~1.0           | ∅20.0           | 23.5 | 17.0 | 7.2  |    |         |
| SB-1519A | 1.2~3.3           | ∅19.0           | 20.6 | 14.4 | 11.0 | UL | 200     |
| SB-1316A | 1.2~3.5           | ∅16.0           | 18.0 | 10.5 | 10.5 | UL | 500     |
| SB-1216A | 0.7~3.3           | ∅16.0           | 18.6 | 12.3 | 10.0 | UL |         |
| SB-1013A | 0.8~3.5           | ∅13.0           | 14.9 | 9.0  | 10.5 | UL |         |
| SB-0609A | 0.7~1.7           | ∅9.5            | 11.4 | 6.6  | 6.5  | UL | 1000    |



## 開口式護線環 OPEN CLOSED BUSHING — 2-9-2 |

- MATERIAL: NYLON 66(UL)
- FLAME CLASS: 94V-2
- COLOR: BLACK



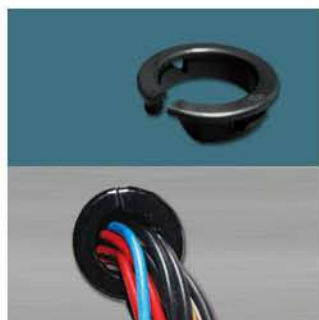
OPEN



CLOSE

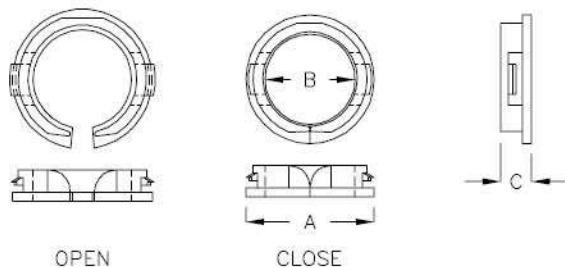


| PART NO  | CHASSIS THICKNESS | HOLE IN CHASSIS | A    | B    | C    | UL | PACKAGE |
|----------|-------------------|-----------------|------|------|------|----|---------|
| SB-2126A | 0.8~1.2           | ∅25.4~25.6      | 28.0 | 21.1 | 8.0  |    | 500     |
| SB-2024A | 0.8~1.2           | ∅24.0           | 26.4 | 20.0 | 11.3 | UL |         |
| SB-2228A | 0.8~1.2           | ∅27.8           | 28.8 | 22.0 | 9.0  |    | 200     |



開口式護線環 OPEN CLOSED BUSHING — 2-10-1 |

- MATERIAL: NYLON 66(UL)
- FLAME CLASS: 94V-2
- COLOR: BLACK

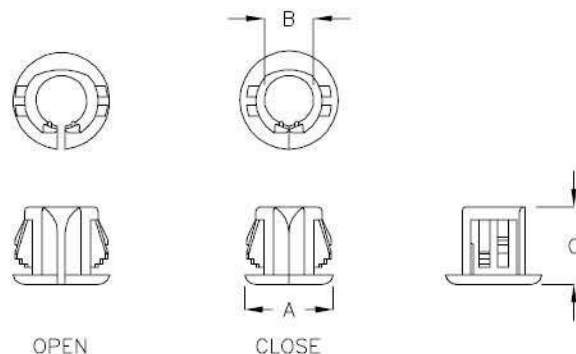


| PART NO   | A     | B     | C   | CHASSIS THICKNESS | HOLE IN CHASSIS | UL | PACKAGE |
|-----------|-------|-------|-----|-------------------|-----------------|----|---------|
| SA-0204K  | φ5.1  | φ2.8  | 5.0 | 0.7~0.9           | φ4.5            |    | 1000    |
| SA-0407A  | φ9.8  | φ4.8  | 5.0 | 0.7~0.9           | φ6.8~φ7.0       | UL |         |
| SA-0407T  | φ9.8  | φ4.8  | 5.2 | 0.4~1.0           | φ6.8~φ7.0       |    | 500     |
| SA-1013C  | φ15.5 | φ9.6  | 5.9 | 1.9~2.0           | φ13.0           |    |         |
| SA-1013A  | φ15.5 | φ9.6  | 5.4 | 1.0~1.5           | φ13.0           | UL |         |
| SA-1316A  | φ18.4 | φ12.5 | 5.4 | 1.0~1.4           | φ16.0           |    |         |
| SA-1317Q  | φ19.5 | φ13.5 | 5.9 | 1.8~2.0           | φ17.0           |    |         |
| SA-1519A  | φ21.8 | φ14.9 | 5.7 | 0.8~1.0           | φ19.0           |    |         |
| SA-1822A  | φ24.6 | φ17.6 | 5.6 | 0.8~1.0           | φ22.0           | UL |         |
| SA-2024A1 | φ26.0 | φ20.0 | 5.4 | 0.8~1.0           | φ24.0           |    | 200     |
| SA-2024A  | φ26.0 | φ20.0 | 5.3 | 1.0~1.2           | φ24.0           |    |         |
| SA-2327A  | φ30.6 | φ23.0 | 6.0 | 0.4~1.0           | φ27.0~φ27.2     |    |         |



開口式護線環 OPEN CLOSED BUSHING — 2-10-2 |

- MATERIAL: NYLON 66(UL)
- FLAME CLASS: 94V-2
- COLOR: BLACK



| PART NO  | A     | B    | C   | CHASSIS THICKNESS | HOLE IN CHASSIS | PACKAGE |
|----------|-------|------|-----|-------------------|-----------------|---------|
| SB-0609C | φ11.8 | φ6.1 | 9.8 | 1.0~3.5           | φ9.5            | 1000    |

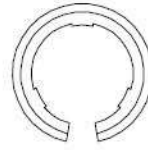


開口式護線環 OPEN CLOSED BUSHING — 2-11-1 |

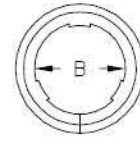
- MATERIAL: NYLON 66(UL)
- FLAME CLASS: 94V-2
- COLOR: BLACK

**NEW**

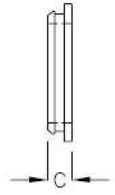
| PART NO     | A     | B     | C   | CHASSIS THICKNESS | HOLE IN CHASSIS | PACKAGE |
|-------------|-------|-------|-----|-------------------|-----------------|---------|
| ★ SYB-1316C | ∅19.2 | ∅13.0 | 3.5 | 1.0               | ∅16.0           | 500     |



OPEN



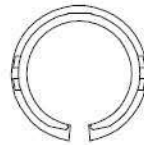
CLOSE



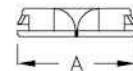
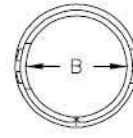
開口式護線環 OPEN CLOSED BUSHING — 2-11-2 |

- MATERIAL: NYLON 66(UL)
- FLAME CLASS: 94V-2
- COLOR: BLACK

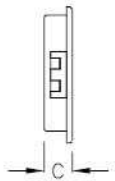
| PART NO  | CHASSIS THICKNESS | HOLE IN CHASSIS | A    | B    | C   | PACKAGE |
|----------|-------------------|-----------------|------|------|-----|---------|
| SY-2832A | 0.8~1.4           | ∅32.0           | 35.1 | 28.2 | 6.7 | 200     |



OPEN



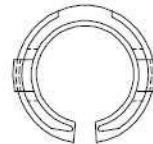
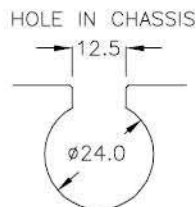
CLOSE



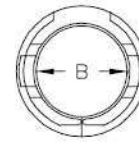
開口式護線環 OPEN CLOSED BUSHING — 2-11-3 |

- MATERIAL: NYLON 66(UL)
- FLAME CLASS: 94V-2
- COLOR: BLACK

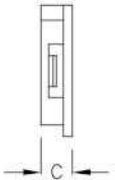
| PART NO  | MAXIMUM THICKNESS | A    | B    | C   | PACKAGE |
|----------|-------------------|------|------|-----|---------|
| SA-2024C | 0.8~1.1           | 26.0 | 20.0 | 5.3 | 500     |



OPEN



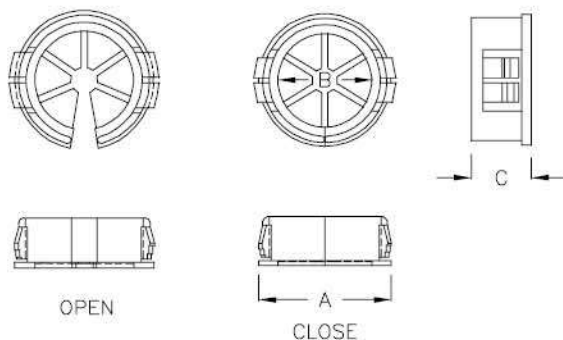
CLOSE





開口式護線環 OPEN CLOSED BUSHING — 2-12-1 |

- MATERIAL: NYLON 66(UL)
- FLAME CLASS: 94V-2
- COLOR: BLACK

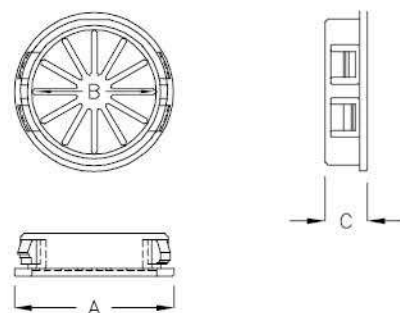


| PART NO  | MAXIMUM THICKNESS | HOLE IN CHASSIS | A    | B    | C    | PACKAGE |
|----------|-------------------|-----------------|------|------|------|---------|
| SC-2128A | 0.8~3.0           | ∅27.8~∅28.0     | 29.5 | 20.7 | 11.5 | 200     |
| SC-1926A | 0.8~3.0           | ∅25.4~∅25.5     | 27.0 | 19.0 | 11.5 |         |
| SC-1926C | 0.8~1.0           | ∅25.4~∅25.5     | 27.0 | 19.0 | 5.3  | 500     |
| SC-1422A | 0.8~3.0           | ∅22.2~∅22.4     | 23.8 | 14.6 | 11.5 |         |
| SC-1319A | 0.8~3.0           | ∅19.0~∅19.1     | 21.8 | 14.1 | 9.9  |         |



護線環 SNAP BUSHING — 2-12-2 |

- MATERIAL: NYLON 66(UL)
- FLAME CLASS: 94V-2
- COLOR: BLACK

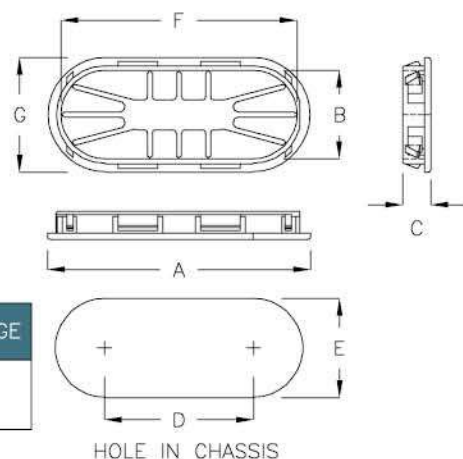


| PART NO | CHASSIS THICKNESS | HOLE IN CHASSIS | A    | B    | C    | PACKAGE |
|---------|-------------------|-----------------|------|------|------|---------|
| SS-3238 | 1.2~3.2           | ∅38.1~∅38.2     | 41.0 | 32.0 | 11.0 | 200     |



護線環 SNAP BUSHING — 2-12-3 |

- MATERIAL: NYLON 66(UL)
- FLAME CLASS: 94V-2
- COLOR: BLACK

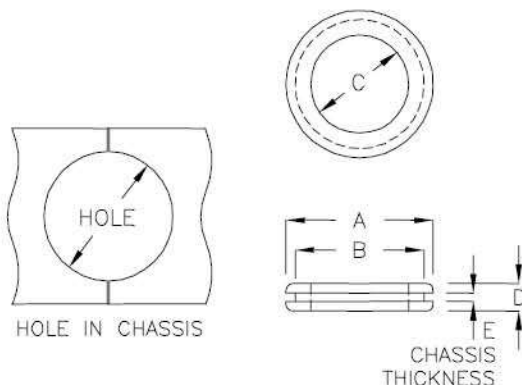


| PART NO    | CHASSIS THICKNESS | A     | B    | C   | D    | E    | G    | F     | PACKAGE |
|------------|-------------------|-------|------|-----|------|------|------|-------|---------|
| SSK-7175   | 1.2               | 79.4  | 26.7 | 8.5 | 45.0 | 30.0 | 34.7 | 71.4  | 100     |
| SSK-106110 | 1.2               | 115.4 | 46.7 | 8.5 | 60.0 | 50.0 | 55.7 | 106.4 |         |



護線環 SNAP BUSHING ———— 2-13-1

- MATERIAL: NYLON 66(UL)
- FLAME CLASS: 94V-2
- COLOR: BLACK

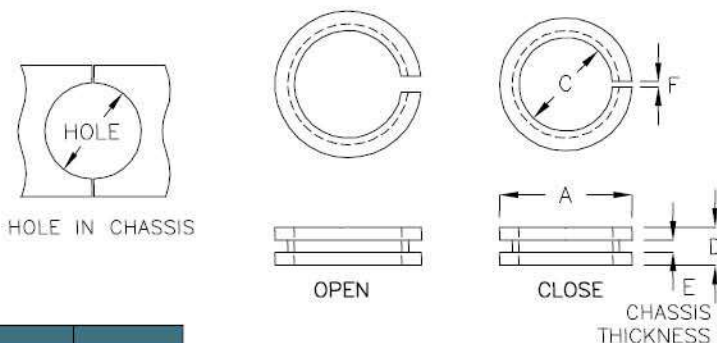


| PART NO | HOLE IN CHASSIS | A     | B     | C     | D   | E CHASSIS THICKNESS | PACKAGE |
|---------|-----------------|-------|-------|-------|-----|---------------------|---------|
| SB-2114 | ∅18.0           | ∅21.2 | ∅18.0 | ∅14.1 | 4.0 | 1.0                 | 1000    |



開口式護線環 OPEN CLOSED BUSHING ———— 2-13-2

- MATERIAL: NYLON 66(UL)
- FLAME CLASS: 94V-2
- COLOR: BLACK

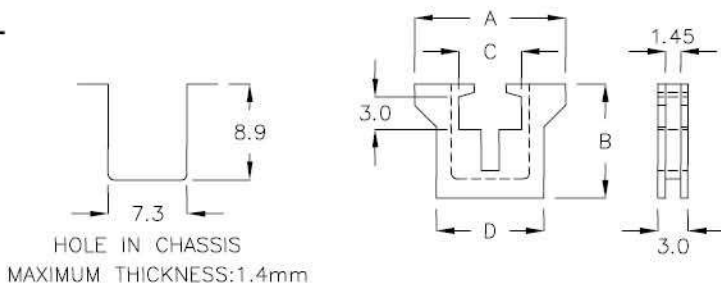


| PART NO  | HOLE IN CHASSIS | A    | C    | D    | E CHASSIS THICKNESS | F       | PACKAGE |
|----------|-----------------|------|------|------|---------------------|---------|---------|
| SB-1223A | ∅19.0           | 22.0 | 11.9 | 4.8  | 1.1                 | 1.2~2.3 | 500     |
| SB-1318A | ∅14.8           | 18.0 | 12.8 | 6.1  | 2.2                 | 0.7~1.3 |         |
| SB-1420A | ∅16.0           | 18.9 | 13.6 | 3.65 | 1.5                 | 0.3~0.8 |         |



方型護線環 EDGE SADDLE ———— 2-13-3

- MATERIAL: NYLON 66(UL)
- FLAME CLASS: 94V-2
- COLOR: NATURAL



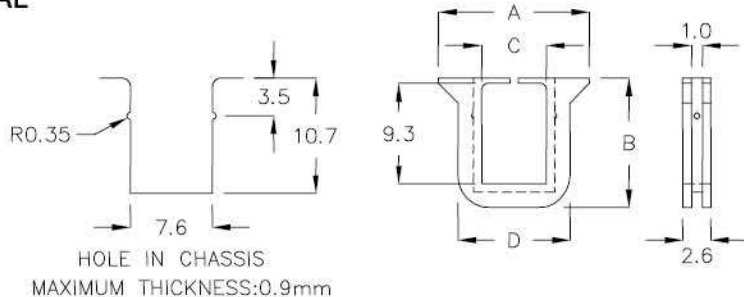
| PART NO | A    | B     | C   | D    | PACKAGE |
|---------|------|-------|-----|------|---------|
| DS-7    | 14.0 | 10.65 | 5.8 | 10.0 | 1000    |



方型護線環 EDGE SADDLE 2-14-1

- MATERIAL: NYLON 66(UL)
- FLAME CLASS: 94V-2
- COLOR: NATURAL

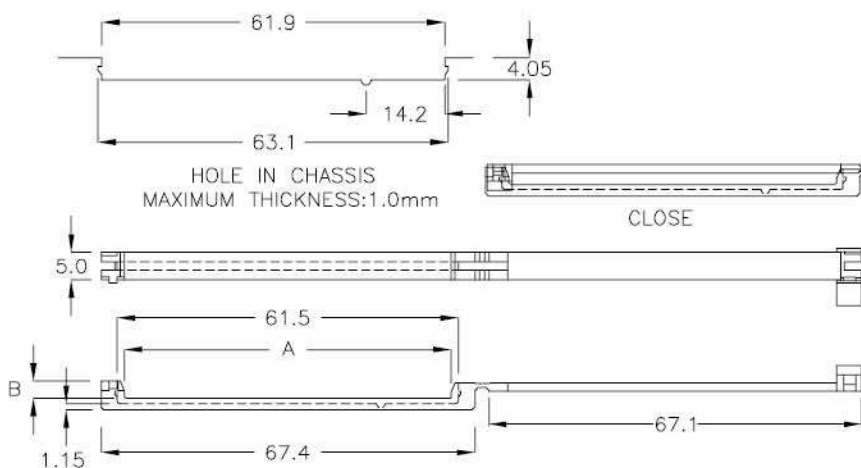
| PART NO | A    | B    | C   | D    | PACKAGE |
|---------|------|------|-----|------|---------|
| DS-8    | 14.0 | 12.0 | 6.0 | 10.4 | 2000    |



方型護線環 EDGE SADDLE 2-14-2

- MATERIAL: NYLON 66(UL)
- FLAME CLASS: 94V-2
- COLOR: BLACK

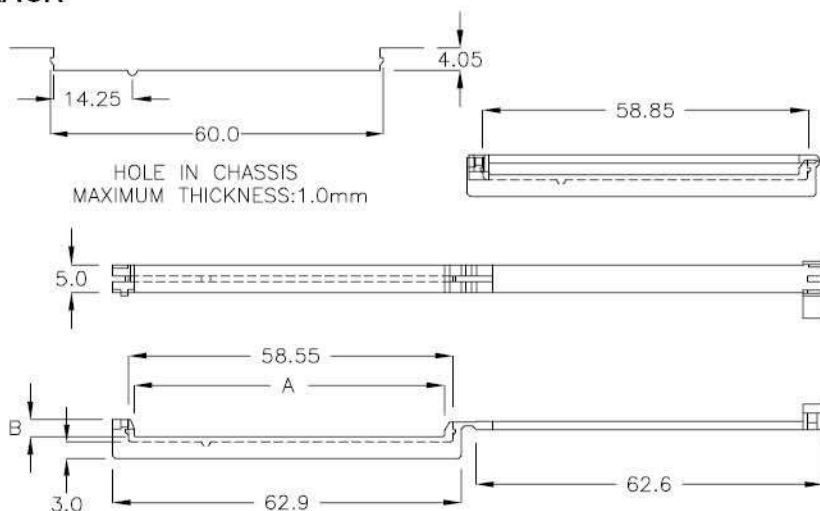
| PART NO | A    | B   | PACKAGE |
|---------|------|-----|---------|
| DDS-02  | 59.0 | 3.1 | 200     |



方型護線環 EDGE SADDLE 2-14-3

- MATERIAL: NYLON 66(UL)
- FLAME CLASS: 94V-2
- COLOR: BLACK

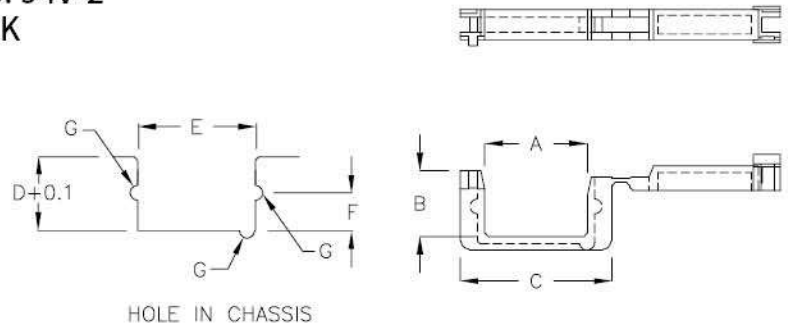
| PART NO | A    | B   | PACKAGE |
|---------|------|-----|---------|
| DDS-03  | 56.0 | 3.1 | 200     |





方型護線環 EDGE SADDLE | 2-15-1 |

- MATERIAL: NYLON 66(UL)
- FLAME CLASS: 94V-2
- COLOR: BLACK

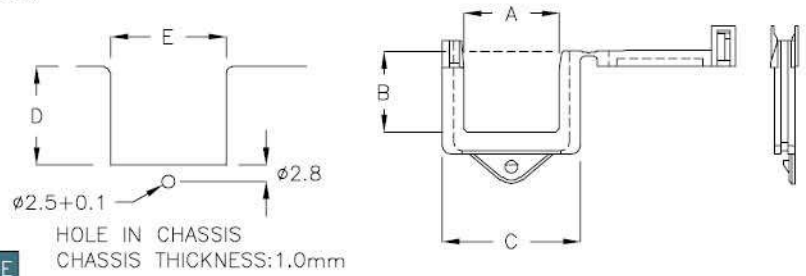


| PART NO | A    | B    | C    | D    | E    | F   | G     | MAXIMUM THICKNESS | PACKAGE |
|---------|------|------|------|------|------|-----|-------|-------------------|---------|
| DDS-01  | 17.4 | 11.2 | 25.8 | 12.6 | 20.0 | 6.3 | R1.4  | 2.1               | 500     |
| DDS-06  | 28.0 | 6.6  | 36.6 | 9.0  | 31.0 | 3.3 | R1.35 | 2.0               | 200     |



方型護線環 EDGE SADDLE | 2-15-2 |

- MATERIAL: NYLON 66(UL)
- FLAME CLASS: 94V-2
- COLOR: BLACK

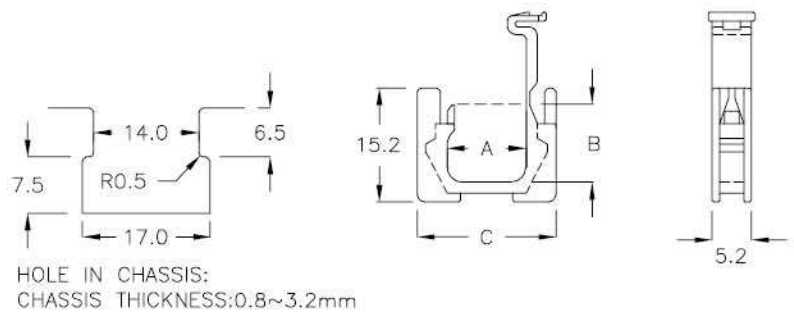


| PART NO | A    | B    | C    | D    | E    | PACKAGE |
|---------|------|------|------|------|------|---------|
| DDS-17  | 17.0 | 14.4 | 24.6 | 21.0 | 21.0 | 200     |
| DDS-22  | 22.4 | 21.3 | 30.6 | 29.0 | 27.1 |         |



方型護線環 EDGE SADDLE | 2-15-3 |

- MATERIAL: NYLON 66(UL)
- FLAME CLASS: 94V-2
- COLOR: NATURAL

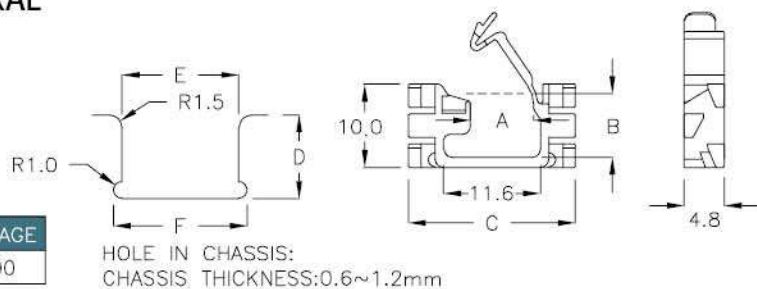


| PART NO | A    | B    | C    | PACKAGE |
|---------|------|------|------|---------|
| DSF-10A | 10.5 | 10.8 | 18.5 | 500     |



### 方型護線環 EDGE SADDLE 2-16-1

- MATERIAL: NYLON 66(UL)
- FLAME CLASS: 94V-2
- COLOR: NATURAL

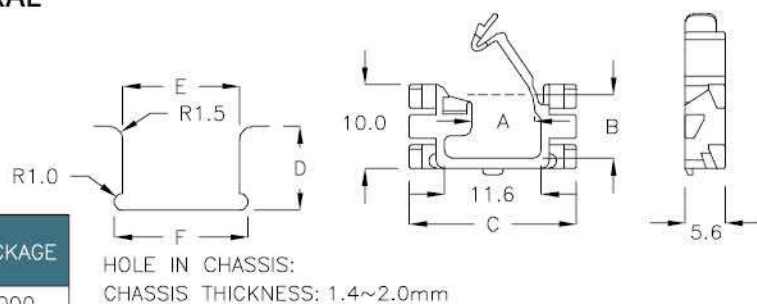


| PART NO | A   | B   | C    | D    | E    | F    | PACKAGE |
|---------|-----|-----|------|------|------|------|---------|
| DSW-11A | 7.6 | 7.7 | 20.0 | 10.0 | 14.0 | 16.0 | 1000    |



### 方型護線環 EDGE SADDLE 2-16-2

- MATERIAL: NYLON 66(UL)
- FLAME CLASS: 94V-2
- COLOR: NATURAL

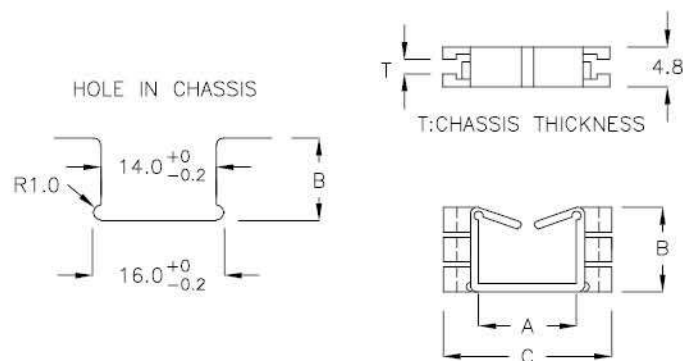


| PART NO  | A   | B   | C    | D    | E    | F    | PACKAGE |
|----------|-----|-----|------|------|------|------|---------|
| DSW-11MQ | 7.6 | 7.7 | 20.0 | 10.0 | 14.0 | 16.0 | 1000    |



### 方型護線環 EDGE SADDLE 2-16-3

- MATERIAL: NYLON 66(UL)
- FLAME CLASS: 94V-2
- COLOR: BLACK



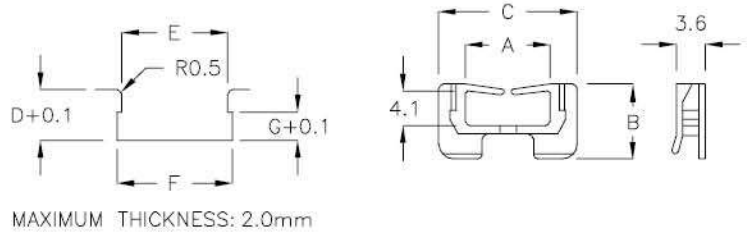
| PART NO | A    | B    | C    | T   | PACKAGE |
|---------|------|------|------|-----|---------|
| DS-1    | 12.0 | 10.0 | 20.2 | 0.9 | 1000    |
| DS-3    | 12.0 | 10.0 | 20.2 | 1.9 |         |



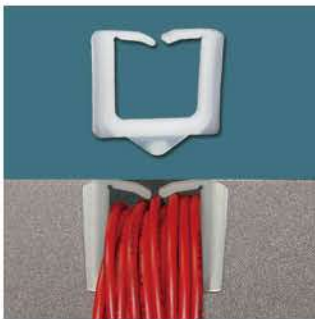


方型護線環 EDGE SADDLE ————— 2-17-1 |

- MATERIAL: NYLON 66(UL)
- FLAME CLASS: 94V-0
- COLOR: NATURAL

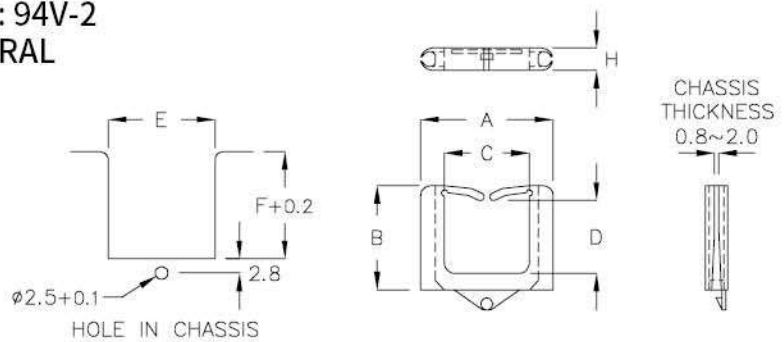


| PART NO | A    | B   | C    | D   | E    | F    | G   | PACKAGE |
|---------|------|-----|------|-----|------|------|-----|---------|
| DS-02S  | 5.2  | 8.5 | 11.5 | 6.1 | 8.1  | 9.1  | 3.6 | 2000    |
| DS-2    | 10.2 | 9.1 | 16.9 | 6.1 | 12.8 | 13.8 | 3.4 | 1000    |



方型護線環 EDGE SADDLE ————— 2-17-2 |

- MATERIAL: NYLON 66(UL)
- FLAME CLASS: 94V-2
- COLOR: NATURAL

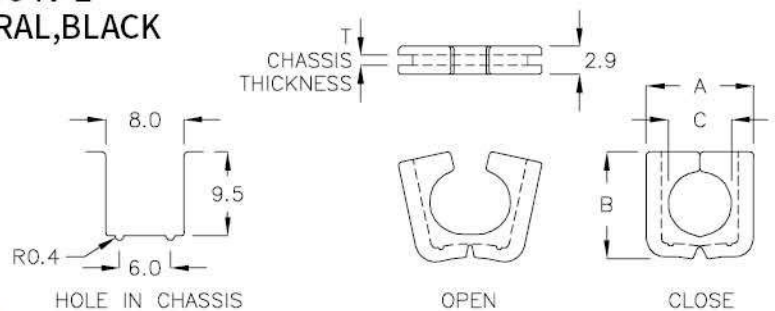


| PART NO | A    | B    | C    | D    | E                                 | F    | H   | PACKAGE |
|---------|------|------|------|------|-----------------------------------|------|-----|---------|
| DS-11A  | 25.0 | 12.5 | 11.5 | 6.2  | 13.6 <sup>+0.1</sup> <sub>0</sub> | 12.5 | 7.1 | 1000    |
| DS-12   | 19.8 | 12.1 | 11.5 | 7.2  | 14.0 <sup>+0.1</sup> <sub>0</sub> | 12.3 | 4.7 |         |
| DS-16TR | 26.0 | 21.0 | 17.0 | 14.6 | 21.0 <sup>+0.2</sup> <sub>0</sub> | 21.0 | 4.6 | 500     |
| DS-23   | 33.1 | 29.2 | 22.4 | 21.8 | 27.0 <sup>+0.2</sup> <sub>0</sub> | 29.0 | 4.7 |         |



方型護線環 EDGE SADDLE ————— 2-17-3 |

- MATERIAL: NYLON 66(UL)
- FLAME CLASS: 94V-2
- COLOR: NATURAL, BLACK

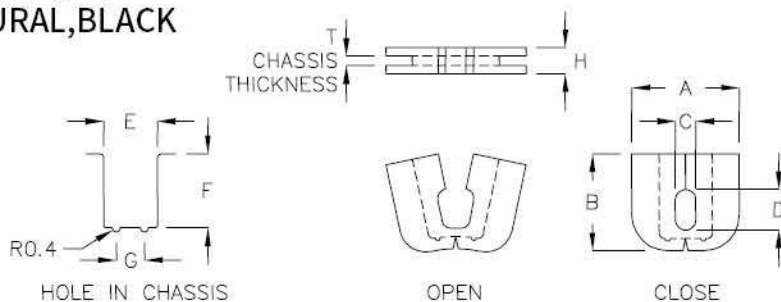


| PART NO | A    | B    | C    | T<br>CHASSIS THICKNESS | PACKAGE |
|---------|------|------|------|------------------------|---------|
| DS-4RT  | 11.0 | 10.9 | ∅6.6 | 0.7~0.8                | 1000    |



方型護線環 EDGE SADDLE | 2-18-1 |

- MATERIAL: NYLON 66(UL)
- FLAME CLASS: 94V-2
- COLOR: NATURAL, BLACK

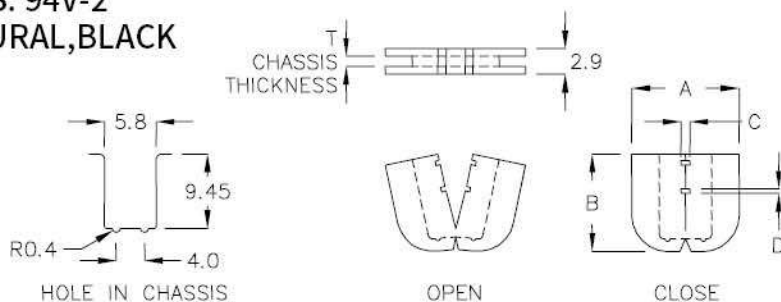


| PART NO | A    | B    | C    | D    | E    | F    | G    | H   | R    | T<br>CHASSIS<br>THICKNESS | PACKAGE |
|---------|------|------|------|------|------|------|------|-----|------|---------------------------|---------|
| DS-04K  | 12.0 | 10.9 | 2.3  | 4.56 | 6.05 | 9.45 | 4.0  | 2.9 | R0.4 | 0.8~1.0                   | 1000    |
| DS-4WY  | 12.5 | 11.5 | 2.4  | 4.8  | 7.2  | 10.3 | 4.35 | 2.5 | R0.3 | 0.5~0.6                   |         |
| DS-4KJ  | 12.0 | 10.9 | 2.6  | 5.2  | 6.05 | 9.45 | 4.0  | 2.9 | R0.4 | 0.8~1.0                   |         |
| DS-4YL  | 12.0 | 10.9 | 3.0  | 6.0  | 5.9  | 9.7  | 4.0  | 2.9 | R0.5 | 0.8~1.0                   |         |
| DS-4FR  | 16.0 | 10.9 | 2.65 | 5.3  | 9.9  | 9.7  | 8.0  | 2.9 | R0.5 | 0.8~1.0                   |         |



方型護線環 EDGE SADDLE | 2-18-2 |

- MATERIAL: NYLON 66(UL)
- FLAME CLASS: 94V-2
- COLOR: NATURAL, BLACK

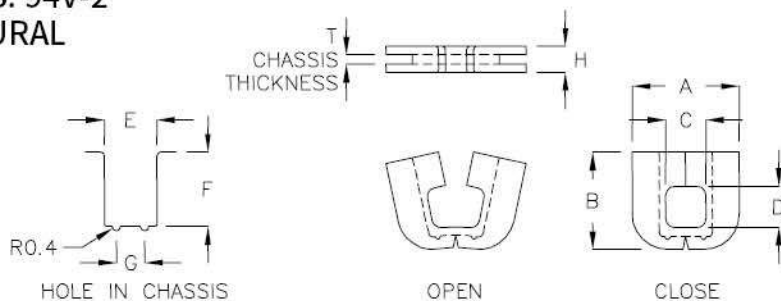


| PART NO | A    | B     | C   | D   | T<br>CHASSIS<br>THICKNESS | PACKAGE |
|---------|------|-------|-----|-----|---------------------------|---------|
| DS-04P  | 12.0 | 10.85 | 1.0 | 0.5 | 0.8~1.0                   | 1000    |

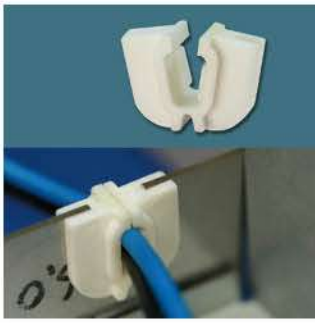


方型護線環 EDGE SADDLE | 2-18-3 |

- MATERIAL: NYLON 66(UL)
- FLAME CLASS: 94V-2
- COLOR: NATURAL

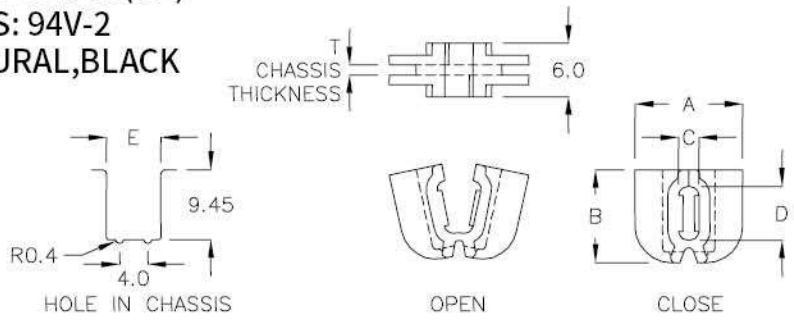


| PART NO | A    | B    | C   | D   | E   | F    | G   | H   | T<br>CHASSIS<br>THICKNESS | PACKAGE |
|---------|------|------|-----|-----|-----|------|-----|-----|---------------------------|---------|
| DS-04Q  | 12.0 | 10.9 | 4.6 | 4.6 | 5.9 | 9.45 | 4.0 | 2.9 | 0.8~1.0                   | 1000    |
| DS-04F  | 12.0 | 10.9 | 4.6 | 7.0 | 6.0 | 9.45 | 4.0 | 2.9 | 0.8~1.0                   |         |
| DS-04R  | 12.0 | 10.9 | 6.5 | 7.0 | 8.0 | 9.5  | 6.0 | 2.9 | 0.8~1.0                   |         |
| DS-4FA  | 12.0 | 10.9 | 4.5 | 7.0 | 6.1 | 9.45 | 4.0 | 2.9 | 0.4~0.6                   |         |
| DS-4GL  | 13.3 | 10.9 | 6.9 | 7.0 | 8.3 | 9.5  | 6.3 | 3.0 | 0.6~0.8                   |         |
| DS-06   | 14.6 | 8.8  | 7.0 | 4.6 | 8.3 | 7.4  | 6.4 | 2.9 | 0.8~1.0                   |         |



方型護線環 EDGE SADDLE | 2-19-1 |

- MATERIAL: NYLON 66(UL)
- FLAME CLASS: 94V-2
- COLOR: NATURAL,BLACK

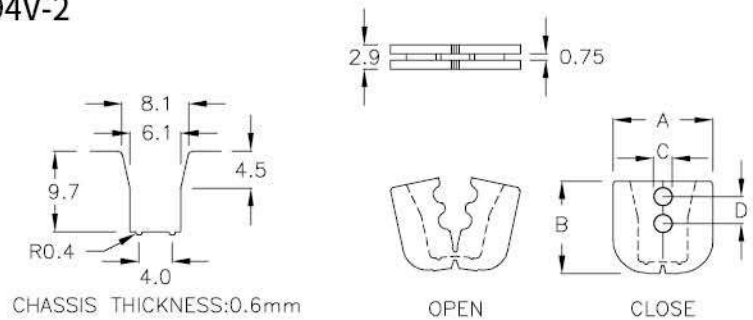


| PART NO | A    | B     | C    | D    | E    | T<br>CHASSIS<br>THICKNESS | PACKAGE |
|---------|------|-------|------|------|------|---------------------------|---------|
| DS-04H  | 12.0 | 10.35 | 2.3  | 6.05 | 6.05 | 0.8~1.0                   | 1000    |
| DS-04J  | 12.0 | 10.4  | 4.6  | 4.6  | 6.0  | 0.8~1.0                   |         |
| DS-04L  | 12.0 | 10.4  | 2.44 | 4.7  | 6.0  | 0.8~1.0                   |         |

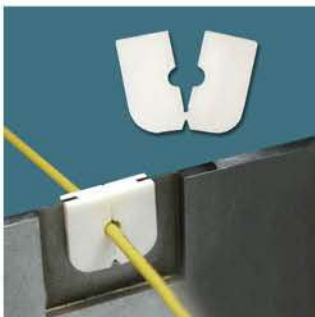


方型護線環 EDGE SADDLE | 2-19-2 |

- MATERIAL: NYLON 66(UL)
- FLAME CLASS: 94V-2
- COLOR: BLACK

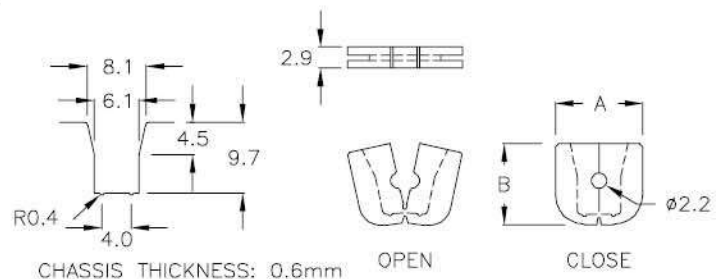


| PART NO | A    | B    | C    | D   | PACKAGE |
|---------|------|------|------|-----|---------|
| DS-4AD  | 12.0 | 11.1 | ∅2.2 | 3.2 | 1000    |

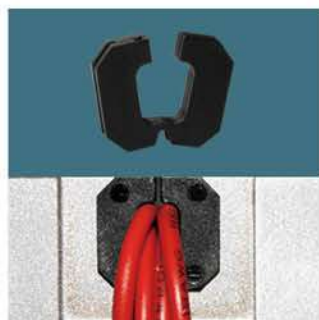


方型護線環 EDGE SADDLE | 2-19-3 |

- MATERIAL: NYLON 66(UL)
- FLAME CLASS: 94V-2
- COLOR: NATURAL,BLACK



| PART NO | A    | B    | PACKAGE |
|---------|------|------|---------|
| DS-4MP  | 12.0 | 11.1 | 1000    |

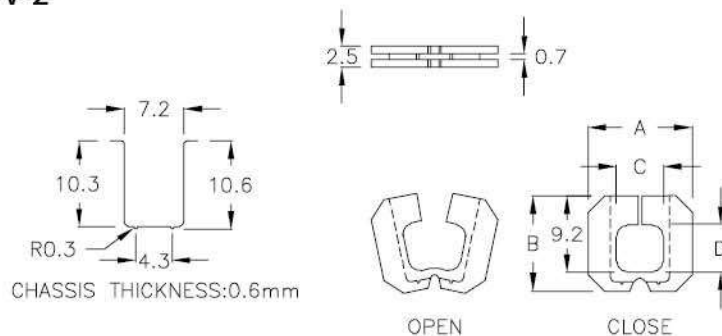


### 方型護線環 EDGE SADDLE

2-20-1

- MATERIAL: NYLON 66(UL)
- FLAME CLASS: 94V-2
- COLOR: BLACK

| PART NO | A    | B    | C   | D    | PACKAGE |
|---------|------|------|-----|------|---------|
| DS-4CF  | 12.5 | 11.5 | 4.3 | 6.5  | 1000    |
| DS-4DG  | 12.5 | 11.5 | 4.3 | 4.3  |         |
| DS-4HQ  | 12.5 | 11.5 | 4.3 | 2.15 |         |

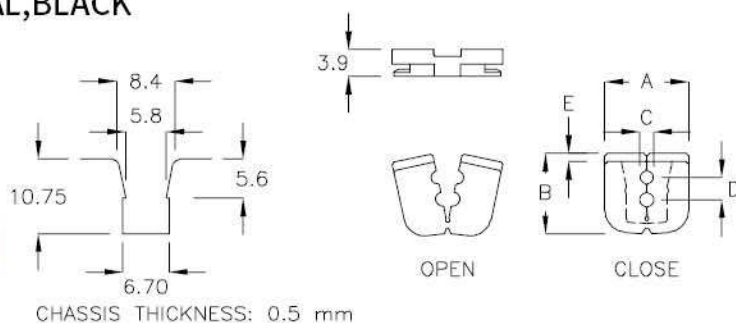


### 方型護線環 EDGE SADDLE

2-20-2

- MATERIAL: NYLON 66(UL)
- FLAME CLASS: 94V-2
- COLOR: NATURAL, BLACK

| PART NO | A    | B     | C    | D   | E   | PACKAGE |
|---------|------|-------|------|-----|-----|---------|
| DSH-12K | 12.2 | 11.55 | ∅2.1 | 3.2 | 1.2 | 1000    |

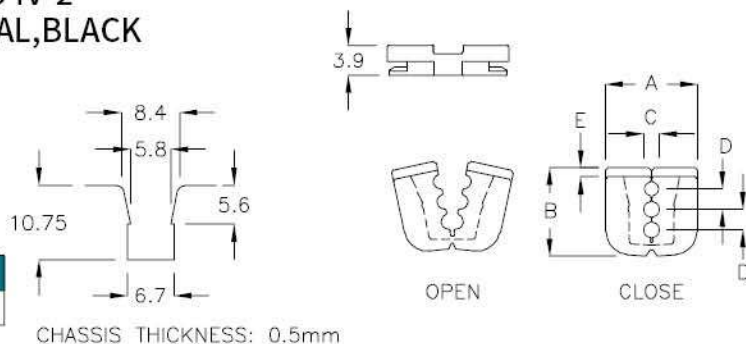


### 方型護線環 EDGE SADDLE

2-20-3

- MATERIAL: NYLON 66(UL)
- FLAME CLASS: 94V-2
- COLOR: NATURAL, BLACK

| PART NO  | A    | B     | C    | D   | E   | PACKAGE |
|----------|------|-------|------|-----|-----|---------|
| DSH-12HM | 12.2 | 11.55 | ∅2.1 | 2.6 | 1.2 | 1000    |

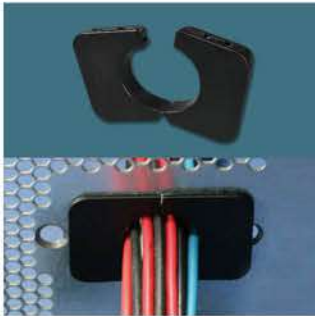
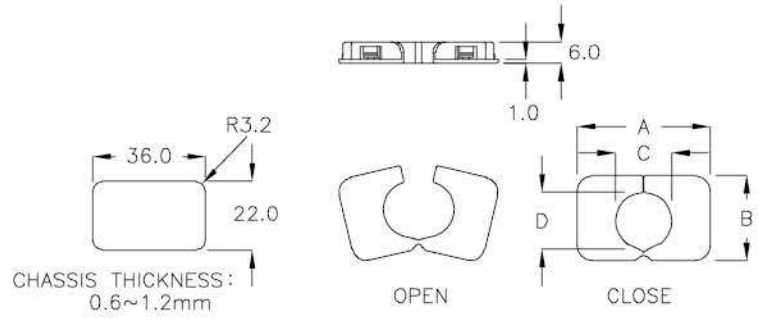




方型護線環 EDGE SADDLE ————— 2-21-1

- MATERIAL: NYLON 66(UL)
- FLAME CLASS: 94V-2
- COLOR: BLACK

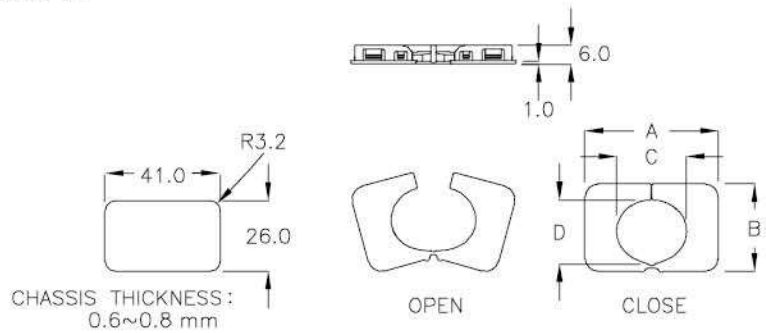
| PART NO | A    | B    | C    | D    | PACKAGE |
|---------|------|------|------|------|---------|
| SAQ-16  | 37.8 | 24.0 | 16.0 | 16.0 | 200     |



方型護線環 EDGE SADDLE ————— 2-21-2

- MATERIAL: NYLON 66(UL)
- FLAME CLASS: 94V-2
- COLOR: BLACK

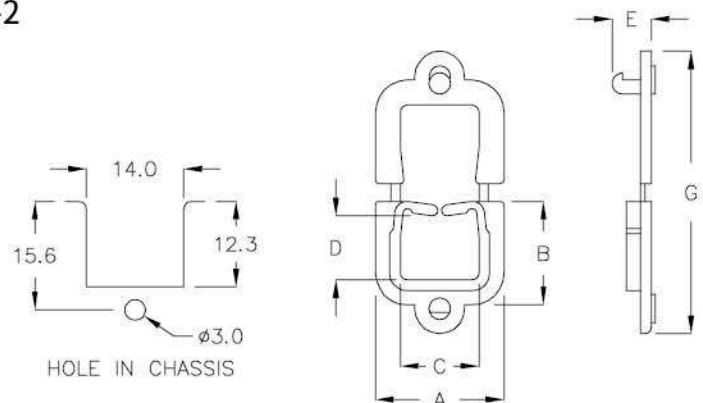
| PART NO | A    | B    | C    | D    | PACKAGE |
|---------|------|------|------|------|---------|
| SAQ-20A | 42.8 | 28.0 | 22.0 | 20.0 | 200     |



方型護線環 EDGE SADDLE ————— 2-21-3

- MATERIAL: NYLON 66(UL)
- FLAME CLASS: 94V-2
- COLOR: BLACK

| PART NO | A    | B     | C    | D   | E   | G    | MAXIMUM THICKNESS | PACKAGE |
|---------|------|-------|------|-----|-----|------|-------------------|---------|
| DS-10A  | 18.0 | 14.45 | 10.8 | 8.9 | 6.7 | 42.0 | 2.2               | 500     |
| DS-10   | 18.5 | 14.5  | 11.0 | 8.6 | 6.0 | 40.1 | 1.6               |         |
| DS-10S  | 18.6 | 14.7  | 11.0 | 8.7 | 4.2 | 40.3 | 0.7               |         |

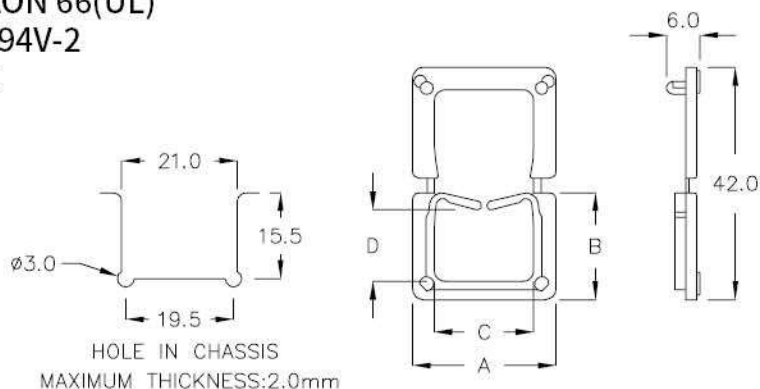




方型護線環 EDGE SADDLE 2-22-1

- MATERIAL: NYLON 66(UL)
- FLAME CLASS: 94V-2
- COLOR: BLACK

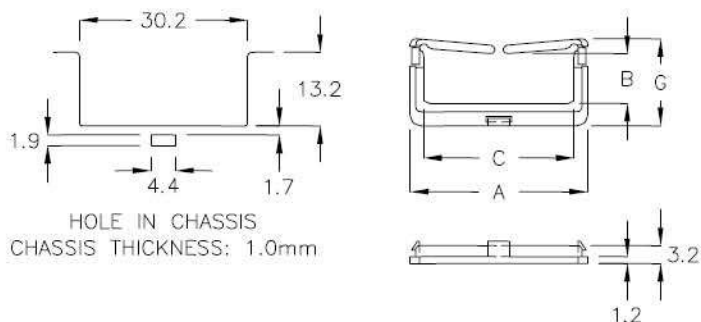
| PART NO | A    | B    | C    | D    | PACKAGE |
|---------|------|------|------|------|---------|
| DS-14   | 26.2 | 20.0 | 18.0 | 12.8 | 500     |



方型護線環 EDGE SADDLE 2-22-2

- MATERIAL: NYLON 66(UL)
- FLAME CLASS: 94V-2
- COLOR: BLACK

| PART NO | A    | B   | C    | G    | PACKAGE |
|---------|------|-----|------|------|---------|
| DS-27   | 32.0 | 9.0 | 27.0 | 15.6 | 500     |

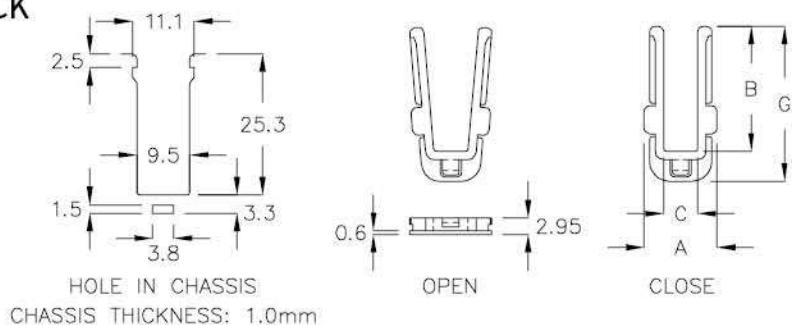


方型護線環 EDGE SADDLE 2-22-3

- MATERIAL: NYLON 66(UL)
- FLAME CLASS: 94V-0
- COLOR: BLACK

NEW

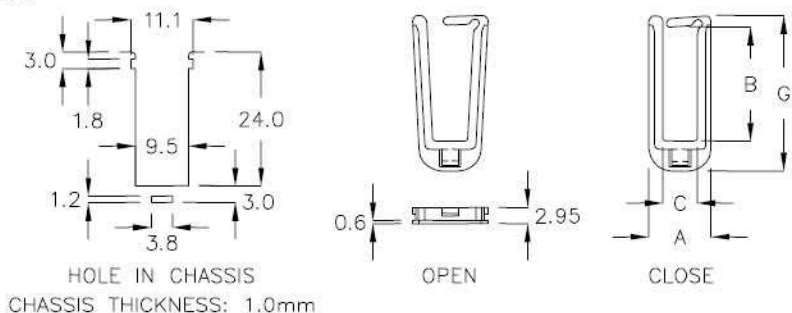
| PART NO   | A    | B    | C   | G    | PACKAGE |
|-----------|------|------|-----|------|---------|
| ★ DSC-6FN | 12.7 | 22.5 | 6.2 | 28.0 | 500     |



方型護線環 EDGE SADDLE 2-22-4

- MATERIAL: NYLON 66(UL)
- FLAME CLASS: 94V-2
- COLOR: BLACK

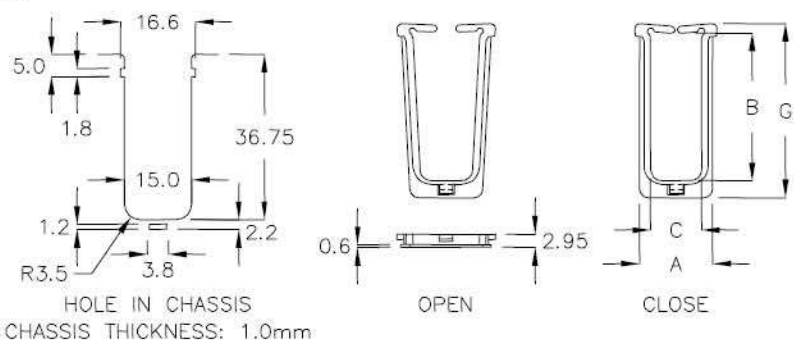
| PART NO | A    | B    | C   | G    | PACKAGE |
|---------|------|------|-----|------|---------|
| DSC-6GM | 11.1 | 20.0 | 6.3 | 27.8 | 500     |





方型護線環 EDGE SADDLE ————— 2-23-1

- MATERIAL: NYLON 66(UL)
- FLAME CLASS: 94V-2
- COLOR: BLACK

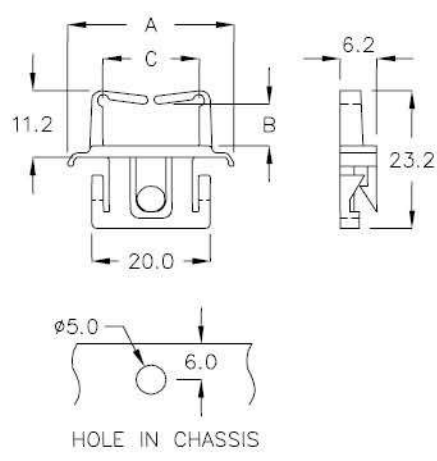


| PART NO  | A    | B    | C    | G    | PACKAGE |
|----------|------|------|------|------|---------|
| DSC-12NT | 16.4 | 32.7 | 11.8 | 38.7 | 500     |

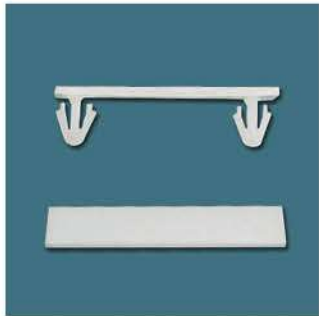


方型護線環 EDGE SADDLE ————— 2-23-2

- MATERIAL: NYLON 66(UL)
- FLAME CLASS: 94V-2
- COLOR: NATURAL

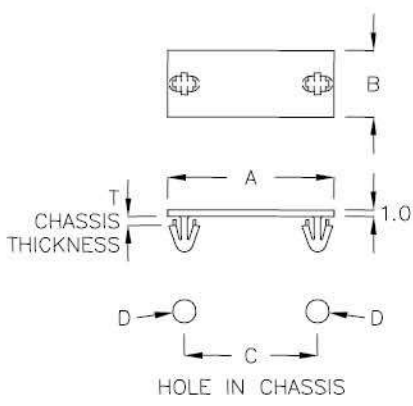


| PART NO | A    | B   | C    | T<br>CHASSIS<br>THICKNESS | PACKAGE |
|---------|------|-----|------|---------------------------|---------|
| CT-16   | 27.9 | 6.8 | 16.0 | 2.0                       | 500     |



保護蓋 HOLE PROTECT COVER ————— 2-23-3

- MATERIAL: NYLON 66(UL)
- FLAME CLASS: 94V-2
- COLOR: NATURAL



| PART NO | A    | B    | C    | D    | T<br>CHASSIS<br>THICKNESS | PACKAGE |
|---------|------|------|------|------|---------------------------|---------|
| BH-8    | 25.0 | 10.0 | 20.0 | φ3.2 | 1.0                       | 1000    |
| BH-9    | 46.0 | 12.0 | 34.0 | φ3.5 | 0.8                       |         |
| BH-10   | 35.0 | 16.0 | 25.0 | φ3.1 | 1.6                       |         |
| BH-10A  | 35.0 | 16.0 | 25.0 | φ3.1 | 2.6                       |         |
| BH-10C  | 42.0 | 16.0 | 32.0 | φ3.2 | 3.6                       |         |
| BH-51A  | 51.0 | 10.0 | 46.0 | φ3.2 | 0.8                       | 200     |

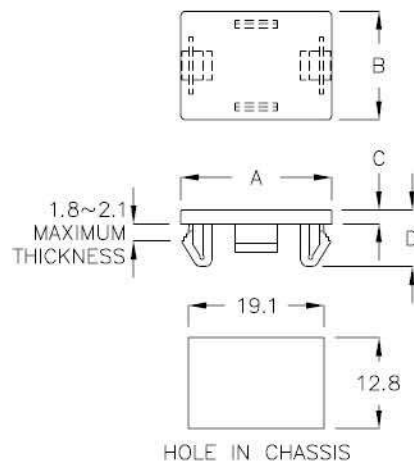


### 保護蓋 HOLE PROTECT COVER

2-24-1

- MATERIAL: NYLON 66(UL)
- FLAME CLASS: 94V-2
- COLOR: BLACK

| PART NO | A    | B    | C   | D   | PACKAGE |
|---------|------|------|-----|-----|---------|
| BHA-03  | 21.3 | 15.2 | 2.0 | 8.0 | 500     |

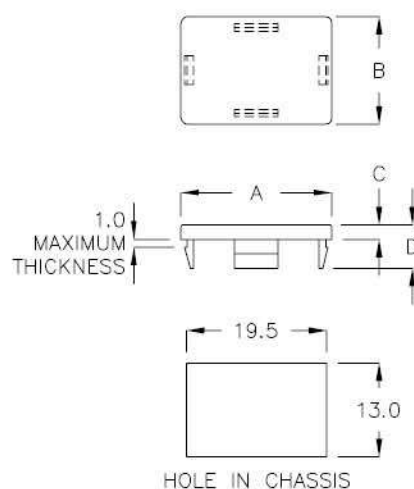


### 保護蓋 HOLE PROTECT COVER

2-24-2

- MATERIAL: NYLON 66(UL)
- FLAME CLASS: 94V-2
- COLOR: BLACK

| PART NO | A    | B    | C   | D   | PACKAGE |
|---------|------|------|-----|-----|---------|
| BHA-01  | 21.0 | 15.0 | 2.0 | 6.0 | 500     |

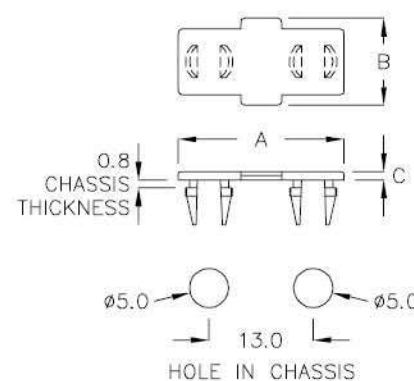


### 保護蓋 HOLE PROTECT COVER

2-24-3

- MATERIAL: NYLON 66(UL)
- FLAME CLASS: 94V-2
- COLOR: NATURAL

| PART NO | A    | B    | C   | PACKAGE |
|---------|------|------|-----|---------|
| BH-011  | 20.3 | 10.6 | 1.0 | 1000    |

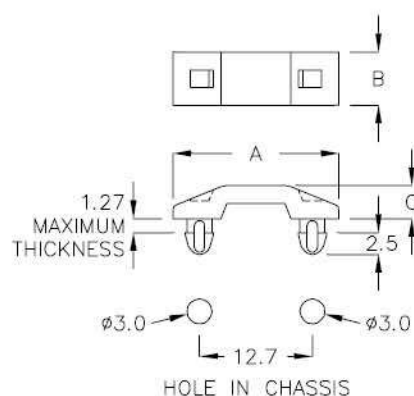


### 保護蓋 HOLE PROTECT COVER

2-24-4

- MATERIAL: NYLON 66(UL)
- FLAME CLASS: 94V-2
- COLOR: BLACK,NATURAL

| PART NO | A    | B   | C   | PACKAGE |
|---------|------|-----|-----|---------|
| BH-019  | 18.7 | 6.0 | 3.7 | 1000    |





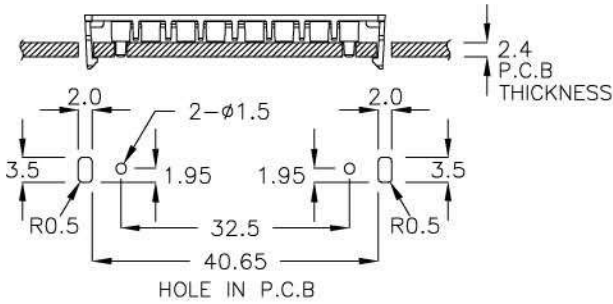
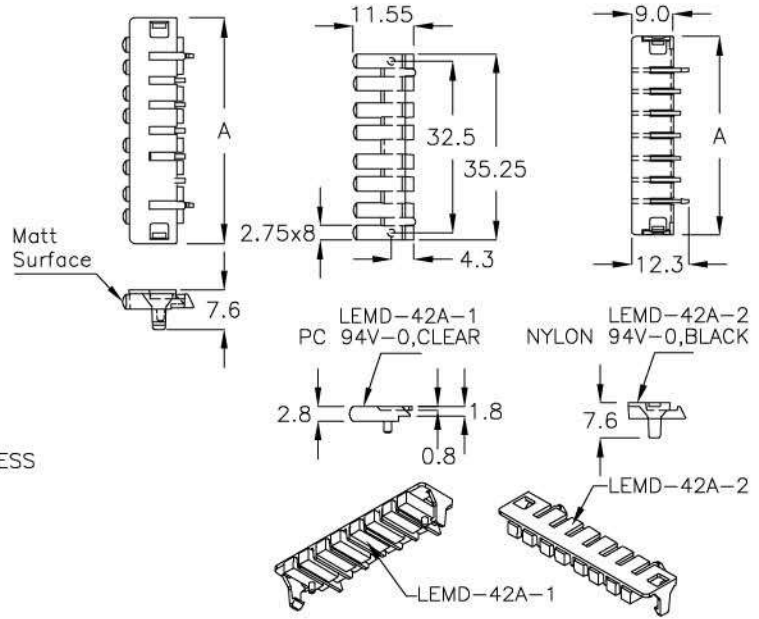


### 導光柱 LIGHT PIPE

1-41-1

- MATERIAL: PC,NYLON 66(UL)
- FLAME CLASS: 94V-0
- COLOR: CLEAR,BLACK

| PART NO  | A    | PACKAGE |
|----------|------|---------|
| LEMD-42A | 42.8 | 200     |

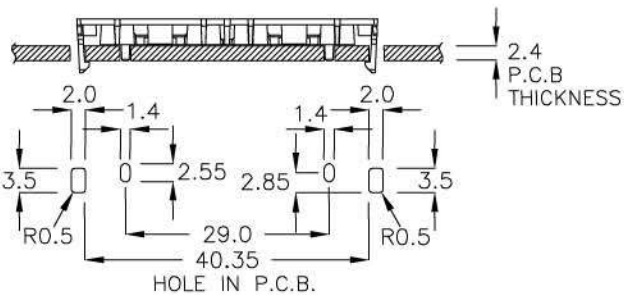
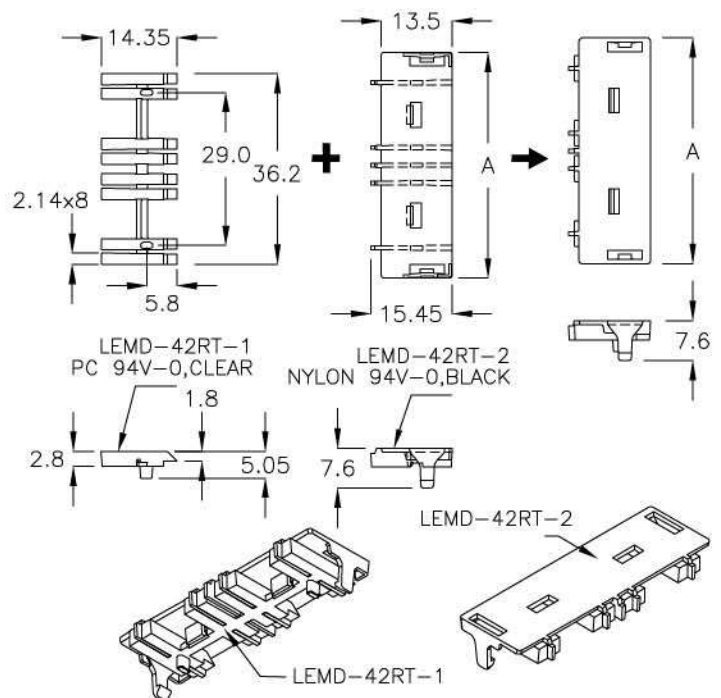


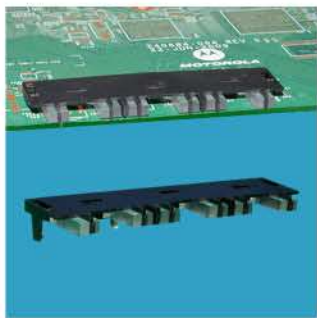
### 導光柱 LIGHT PIPE

1-41-2

- MATERIAL: PC,NYLON 66(UL)
- FLAME CLASS: 94V-0
- COLOR: CLEAR,BLACK

| PART NO   | A    | PACKAGE |
|-----------|------|---------|
| LEMD-42RT | 42.8 | 200     |



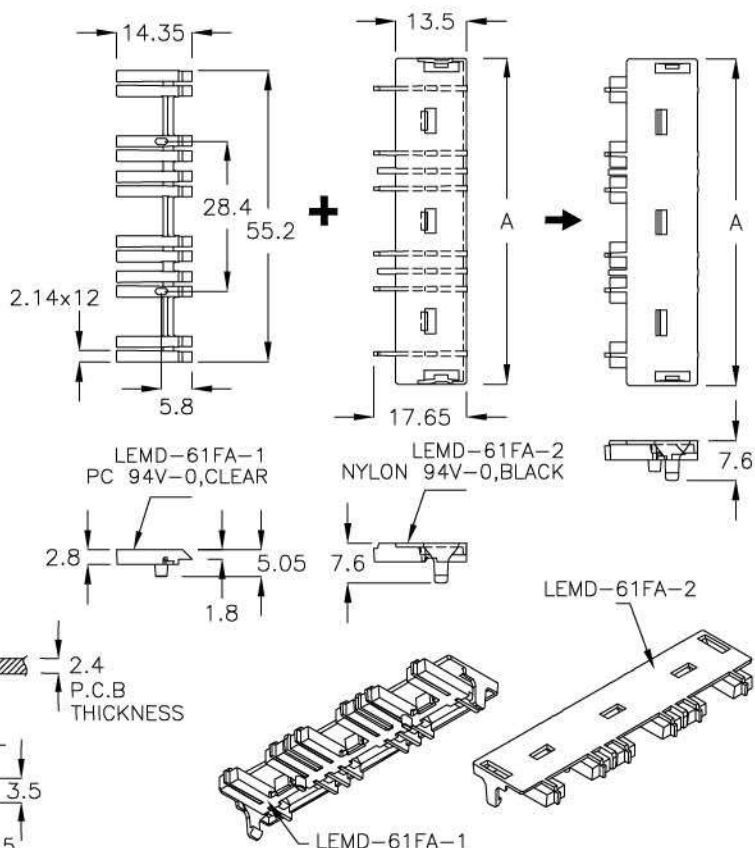
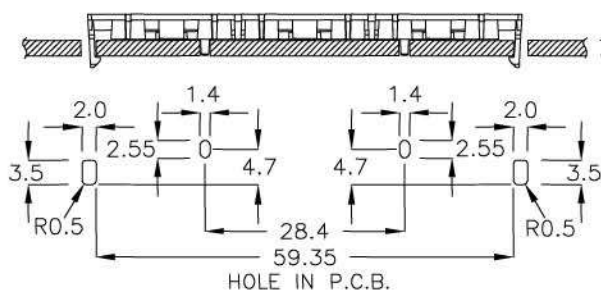


導光柱 LIGHT PIPE

1-42-1

- MATERIAL: PC,NYLON 66(UL)
- FLAME CLASS: 94V-0
- COLOR: CLEAR,BLACK

| PART NO   | A    | PACKAGE |
|-----------|------|---------|
| LEMD-61FA | 61.8 | 200     |

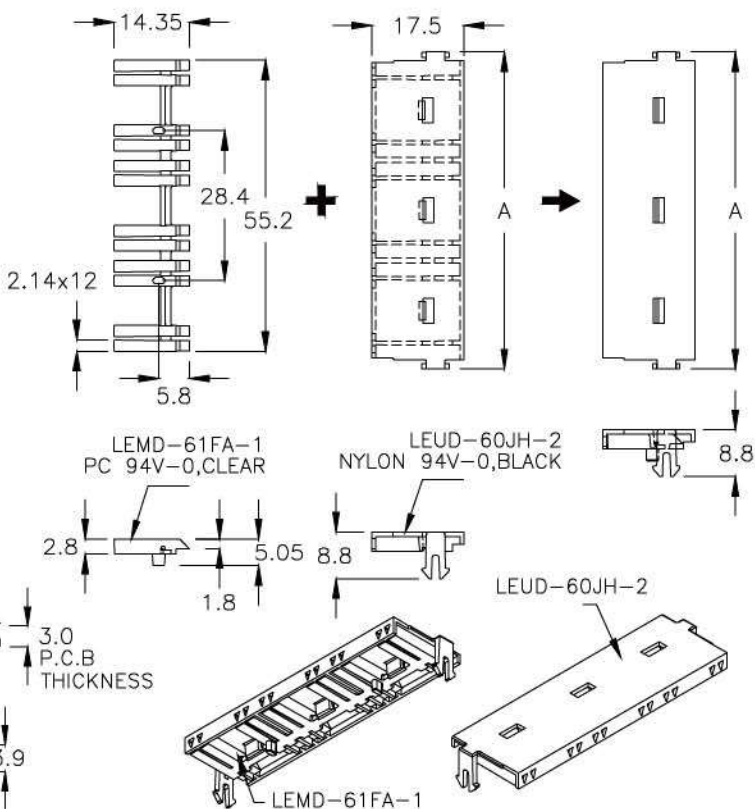
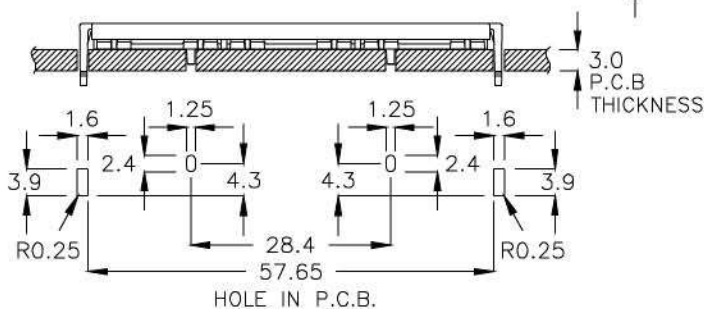


導光柱 LIGHT PIPE

1-42-2

- MATERIAL: PC,NYLON 66(UL)
- FLAME CLASS: 94V-0
- COLOR: CLEAR,BLACK

| PART NO   | A     | PACKAGE |
|-----------|-------|---------|
| LEUD-60JH | 60.15 | 200     |



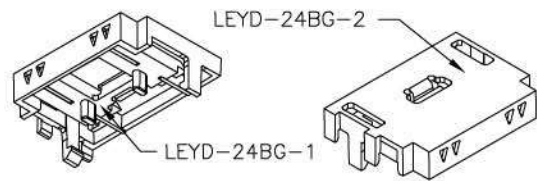
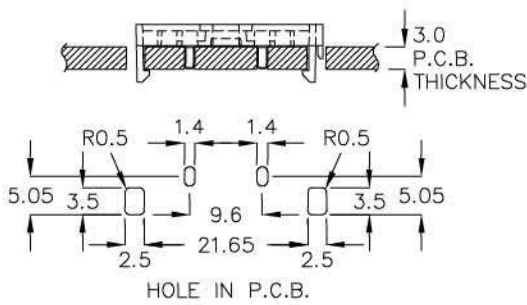
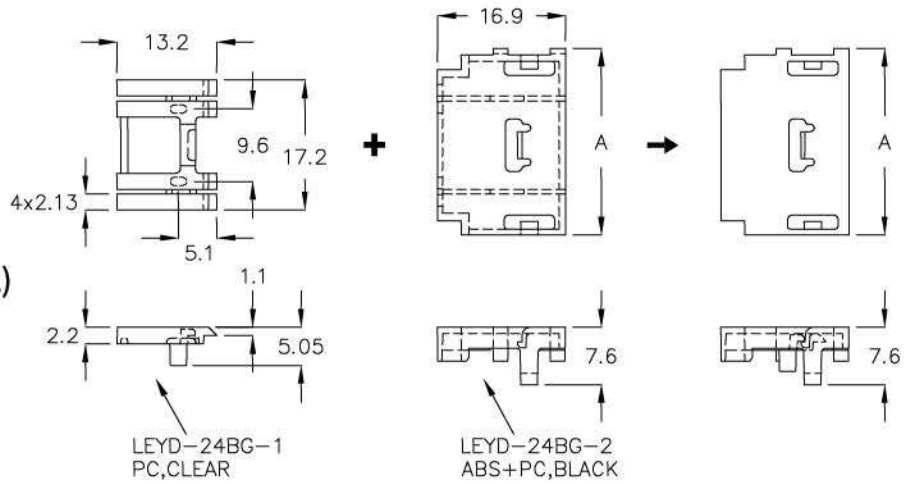


導光柱 LIGHT PIPE

1-43-1

- MATERIAL: PC,NYLON 66(UL)
- FLAME CLASS: 94V-0
- COLOR: CLEAR,BLACK

| PART NO   | A    | PACKAGE |
|-----------|------|---------|
| LEYD-24BG | 24.7 | 200     |

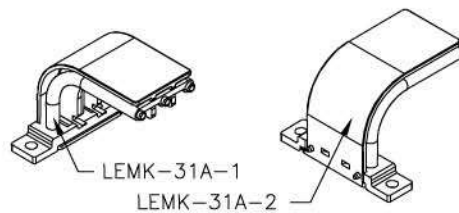
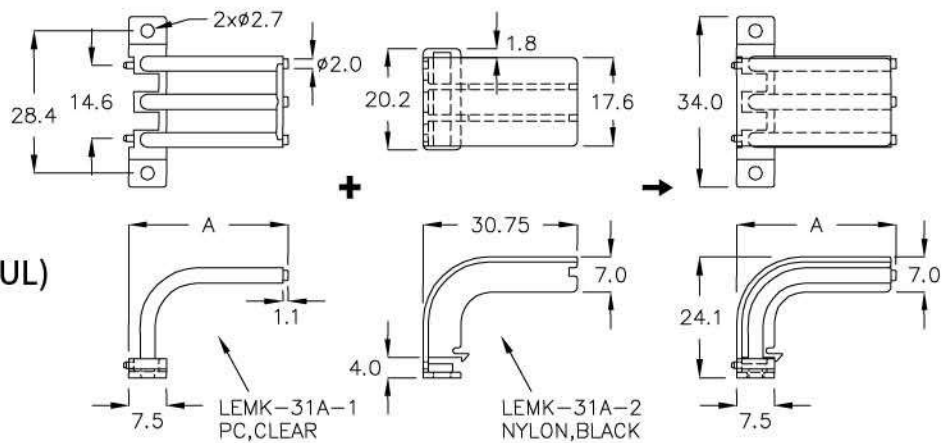


導光柱 LIGHT PIPE

1-43-2

- MATERIAL: PC,NYLON 66(UL)
- FLAME CLASS: 94V-0
- COLOR: CLEAR,BLACK

| PART NO  | A    | PACKAGE |
|----------|------|---------|
| LEMK-31A | 31.9 | 500     |

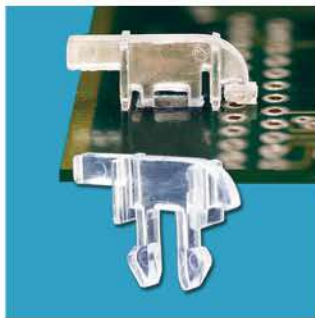
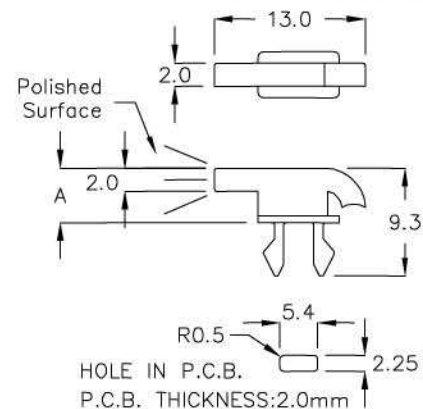




### 導光柱 LIGHT PIPE

- MATERIAL: PC(UL)
- FLAME CLASS: 94V-0
- COLOR: CLEAR

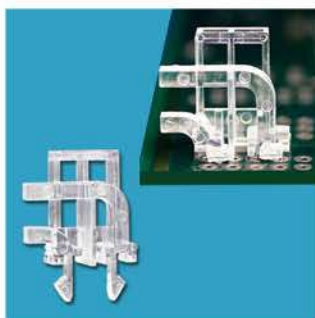
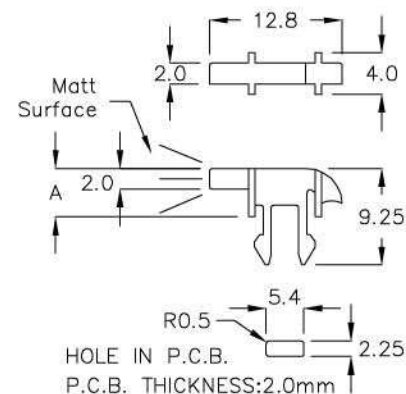
| PART NO | A   | PACKAGE |
|---------|-----|---------|
| LEFD-4A | 4.7 | 1000    |



### 導光柱 LIGHT PIPE

- MATERIAL: PC(UL)
- FLAME CLASS: 94V-0
- COLOR: CLEAR

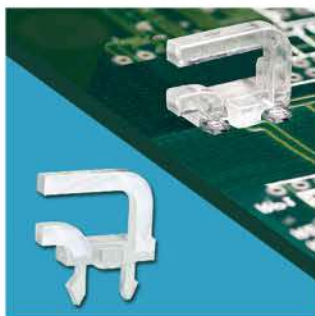
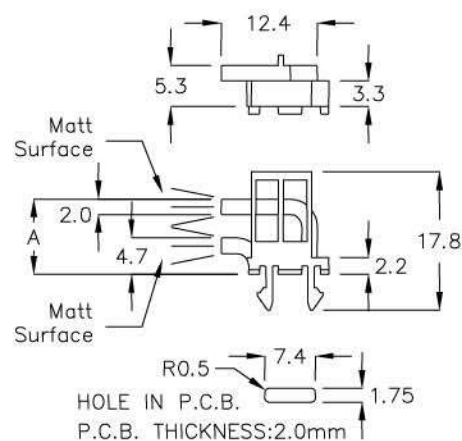
| PART NO  | A    | PACKAGE |
|----------|------|---------|
| LEFD-4RZ | 4.65 | 1000    |



### 導光柱 LIGHT PIPE

- MATERIAL: PC(UL)
- FLAME CLASS: 94V-0
- COLOR: CLEAR

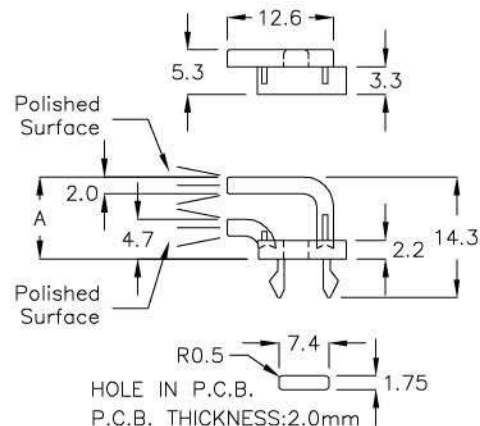
| PART NO  | A   | PACKAGE |
|----------|-----|---------|
| LEFD-9DK | 9.7 | 1000    |



### 導光柱 LIGHT PIPE

- MATERIAL: PC(UL)
- FLAME CLASS: 94V-0
- COLOR: CLEAR

| PART NO  | A   | PACKAGE |
|----------|-----|---------|
| LEFD-9MQ | 9.7 | 1000    |

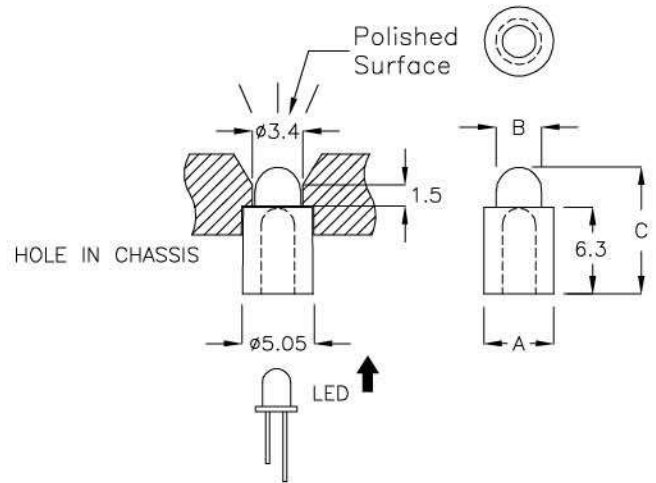




導光柱 LIGHT PIPE

1-45-1

- MATERIAL: PC(UL)
- FLAME CLASS: 94V-2
- COLOR: CLEAR



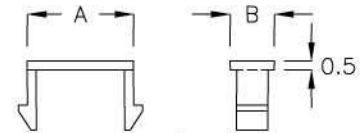
| PART NO | A          | B          | C   | PACKAGE |
|---------|------------|------------|-----|---------|
| HHQ-01  | $\phi 5.0$ | $\phi 3.3$ | 9.2 | 2000    |



保護蓋 COVER

1-45-2

- MATERIAL: PC(UL)
- FLAME CLASS: 94V-2
- COLOR: CLEAR



| PART NO | A   | B   | PACKAGE |
|---------|-----|-----|---------|
| BHB-06  | 6.0 | 2.5 | 2000    |

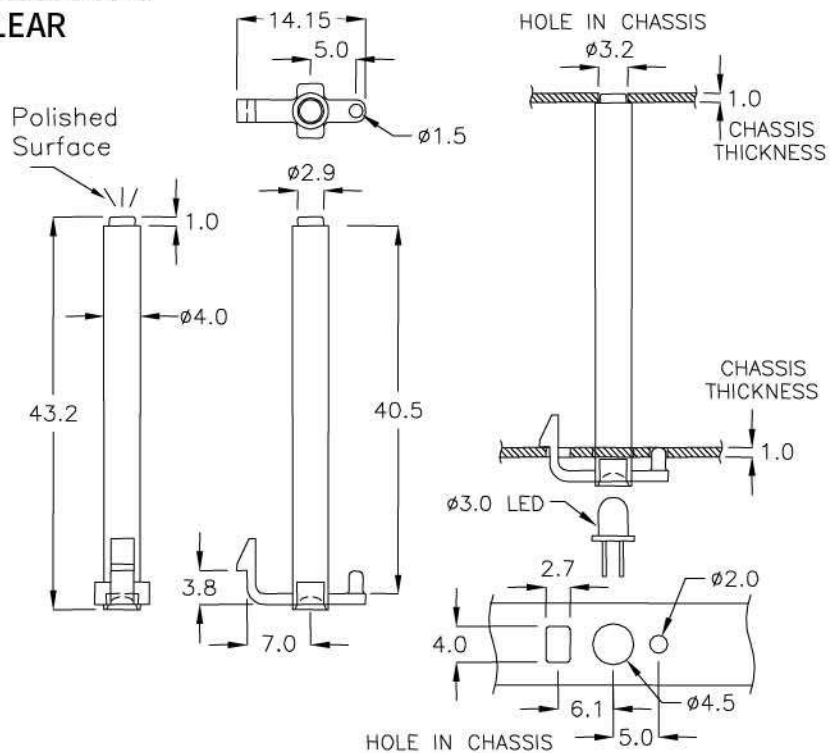
HOLE IN CHASSIS  
CHASSIS THICKNESS: 1.9mm



導光柱 LIGHT PIPE

1-45-3

- MATERIAL: PC(UL)
- FLAME CLASS: 94V-0
- COLOR: CLEAR



| PART NO   | A    | B    | C          | PACKAGE |
|-----------|------|------|------------|---------|
| LEAD-43KT | 43.2 | 40.5 | $\phi 2.9$ | 200     |

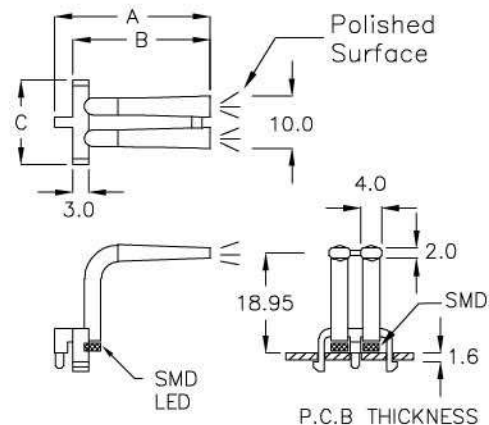
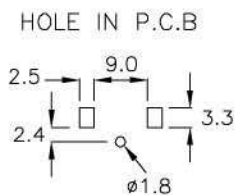


### 導光柱 LIGHT PIPE

1-46-1

- MATERIAL: PC(UL)
- FLAME CLASS: 94V-2
- COLOR: CLEAR

| PART NO | A    | B    | C    | PACKAGE |
|---------|------|------|------|---------|
| LEAD-25 | 29.7 | 26.2 | 16.0 | 500     |

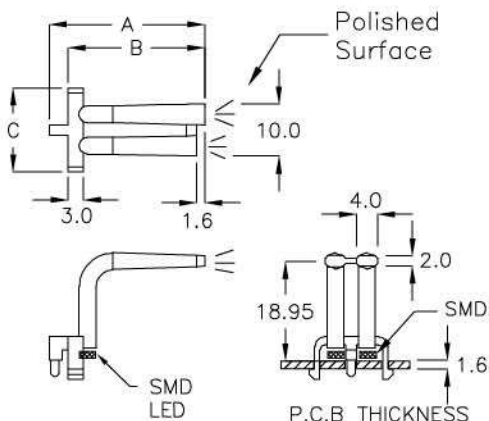
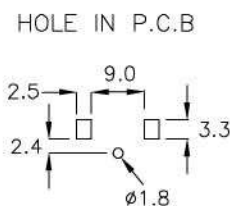


### 導光柱 LIGHT PIPE

1-46-2

- MATERIAL: PC(UL)
- FLAME CLASS: 94V-2
- COLOR: CLEAR

| PART NO | A    | B    | C    | PACKAGE |
|---------|------|------|------|---------|
| LEAD-26 | 29.7 | 26.2 | 16.0 | 500     |

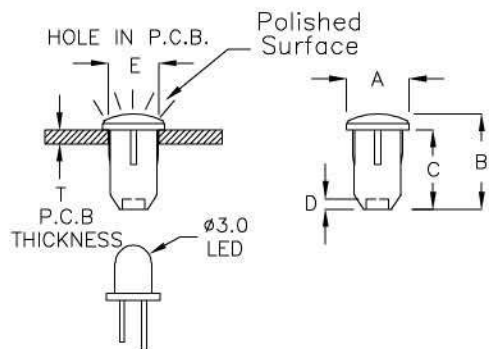


### 導光柱 LIGHT PIPE

1-46-3

- MATERIAL: PC(UL)
- FLAME CLASS: 94V-0
- COLOR: CLEAR

| PART NO  | A   | B   | C   | D   | E   | T    | PACKAGE |
|----------|-----|-----|-----|-----|-----|------|---------|
| LEAD-7QS | 5.0 | 7.7 | 6.4 | 0.8 | 3.9 | ≥2.0 | 2000    |

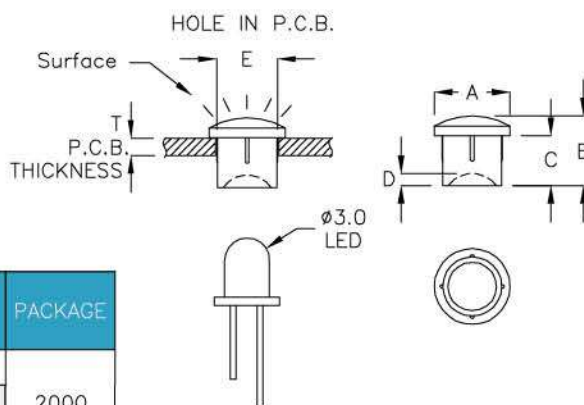




### 導光柱 LIGHT PIPE

1-47-1

- MATERIAL: PC(UL)
- FLAME CLASS: 94V-2
- COLOR: CLEAR



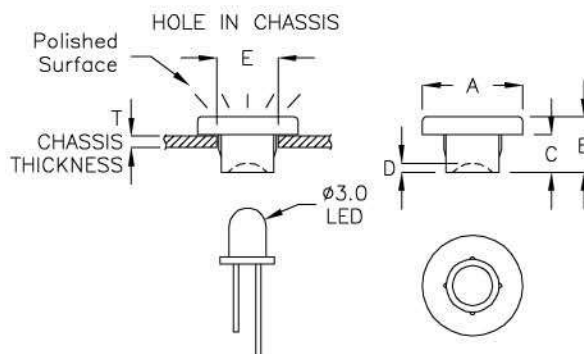
| PART NO   | A    | B    | C    | D   | E HOLE IN P.C.B. | T P.C.B. THICKNESS | SURFACE  | PACKAGE |
|-----------|------|------|------|-----|------------------|--------------------|----------|---------|
| LEAD-4RK  | ø3.8 | 3.95 | 2.95 | 0.4 | ø3.1             | ≥ 1.4              | Matt     | 2000    |
| LEAD-28   | ø5.0 | 4.6  | 3.3  | 0.8 | ø3.96            | ≥ 1.6              | Matt     |         |
| LEAD-28AM | ø5.0 | 4.6  | 3.3  | 0.8 | ø3.96            | ≥ 1.6              | Polished |         |



### 導光柱 LIGHT PIPE

1-47-2

- MATERIAL: PC(UL)
- FLAME CLASS: 94V-2
- COLOR: CLEAR



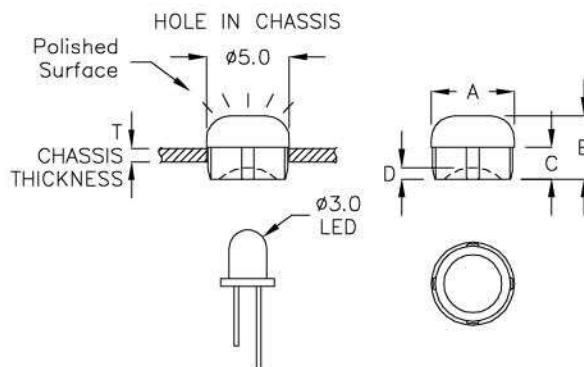
| PART NO  | A    | B    | C    | D   | E HOLE IN CHASSIS | T CHASSIS THICKNESS | PACKAGE |
|----------|------|------|------|-----|-------------------|---------------------|---------|
| LEVD-5GS | ø5.5 | 3.05 | 2.05 | 0.5 | ø3.0              | ≥ 2.0               | 2000    |



### 導光柱 LIGHT PIPE

1-47-3

- MATERIAL: PC(UL)
- FLAME CLASS: 94V-2
- COLOR: CLEAR



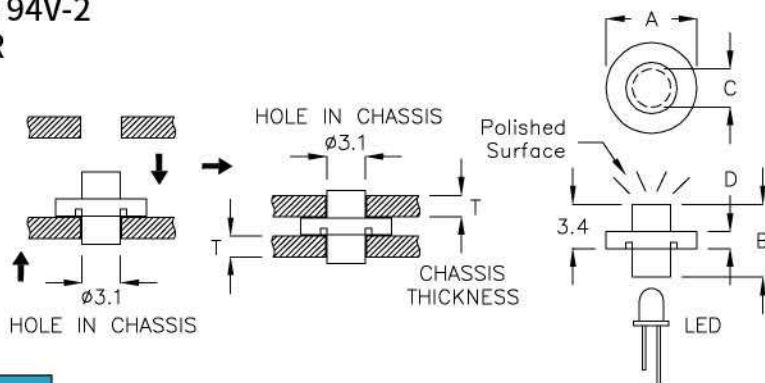
| PART NO | A     | B   | C   | D   | T CHASSIS THICKNESS | PACKAGE |
|---------|-------|-----|-----|-----|---------------------|---------|
| LEWD-04 | ø5.25 | 4.0 | 2.0 | 0.7 | ≥ 0.8               | 2000    |



### 導光柱 LIGHT PIPE

1-48-1

- MATERIAL: PC(UL)
- FLAME CLASS: 94V-2
- COLOR: CLEAR



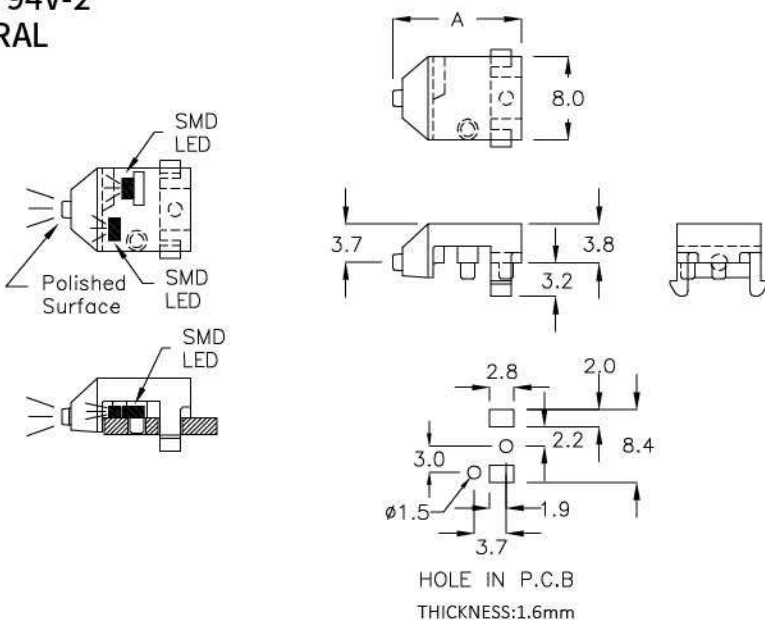
| PART NO | A          | B   | C           | D   | T<br>CHASSIS<br>THICKNESS | PACKAGE |
|---------|------------|-----|-------------|-----|---------------------------|---------|
| LEAD-5A | $\phi 7.0$ | 5.6 | $\phi 2.95$ | 1.3 | 2.0                       | 2000    |



### 導光柱 LIGHT PIPE

1-48-2

- MATERIAL: PC(UL)
- FLAME CLASS: 94V-2
- COLOR: NATURAL



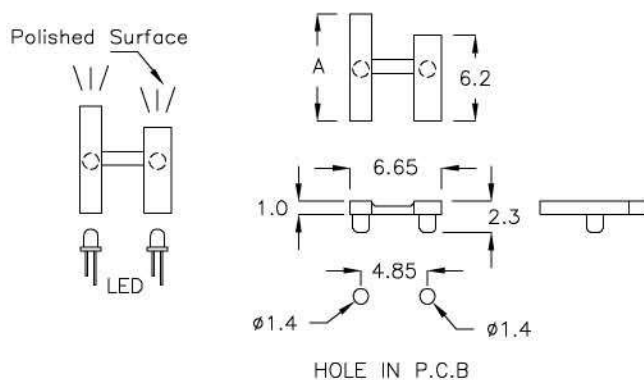
| PART NO  | A    | P.C.B.<br>THICKNESS | PACKAGE |
|----------|------|---------------------|---------|
| LESD-12K | 12.4 | 1.6                 | 1000    |



### 導光柱 LIGHT PIPE

1-48-3

- MATERIAL: PC(UL)
- FLAME CLASS: 94V-2
- COLOR: CLEAR



| PART NO | A    | P.C.B.<br>THICKNESS | PACKAGE |
|---------|------|---------------------|---------|
| LETD-6K | 7.75 | 1.6                 | 2000    |



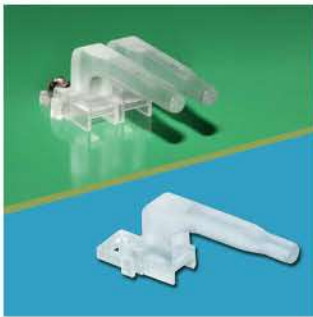
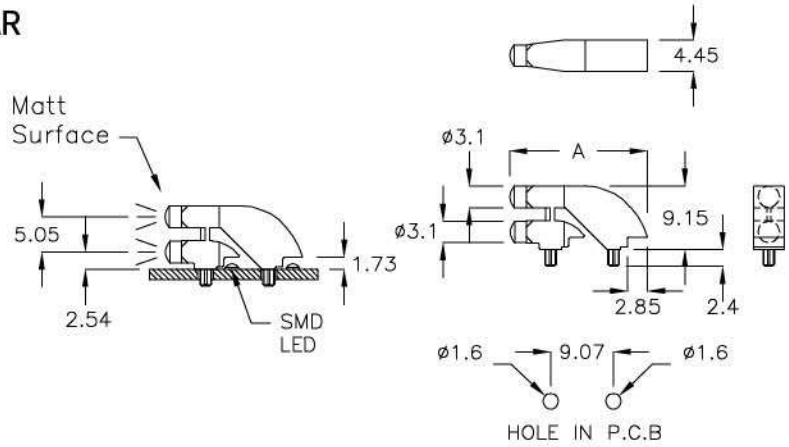


導光柱 LIGHT PIPE

1-49-1

- MATERIAL: PC
- FLAME CLASS: 94V-0
- COLOR: CLEAR

| PART NO  | A     | P.C.B. THICKNESS | PACKAGE |
|----------|-------|------------------|---------|
| LEJD-19K | 19.85 | 1.6              | 500     |

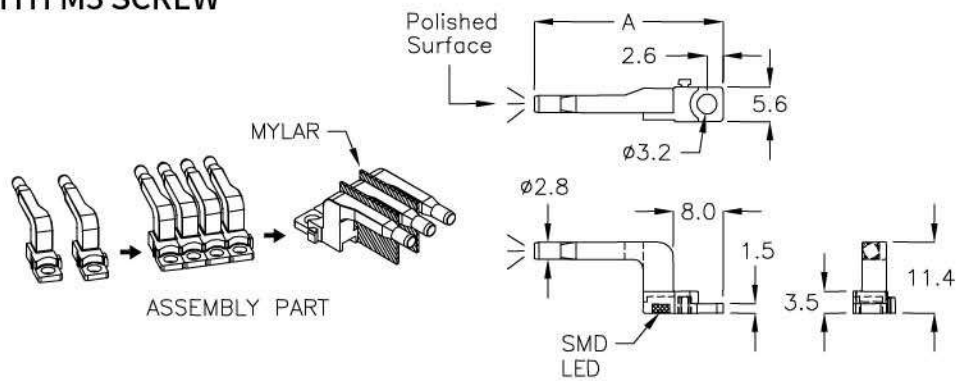


導光柱 LIGHT PIPE

1-49-2

- MATERIAL: PC(UL)
- FLAME CLASS: 94V-2
- COLOR: CLEAR
- WITH M3 SCREW

| PART NO   | A    | PACKAGE |
|-----------|------|---------|
| LEAD-29CT | 30.5 | 500     |

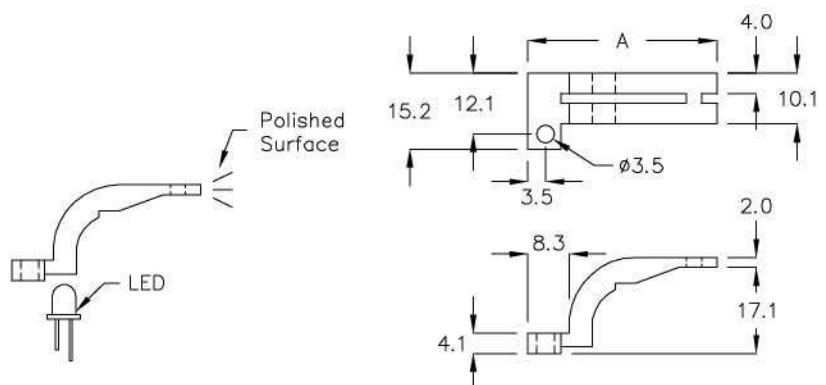


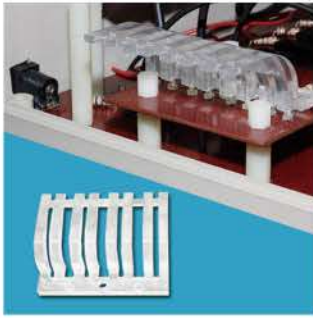
導光柱 LIGHT PIPE

1-49-3

- MATERIAL: PMMA
- COLOR: CLEAR

| PART NO | A    | PACKAGE |
|---------|------|---------|
| LEAD-2  | 37.5 | 500     |



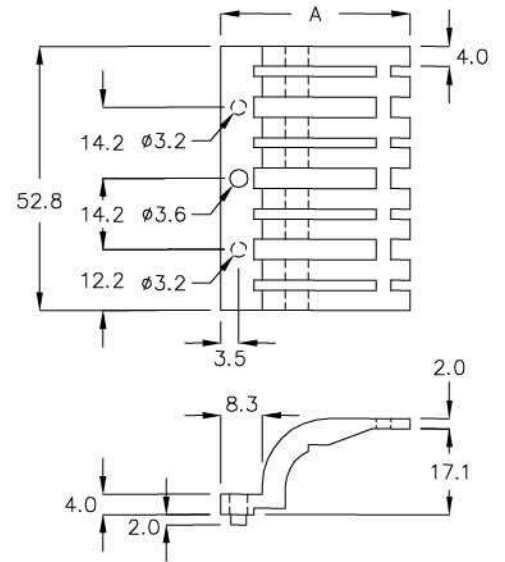
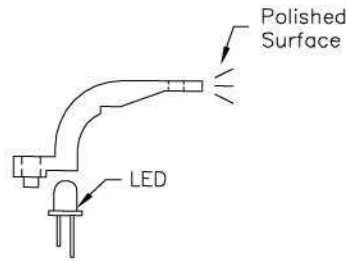


| PART NO | A    | PACKAGE |
|---------|------|---------|
| LEAD-8  | 37.5 | 100     |

### 導光柱 LIGHT PIPE

1-50-1

- MATERIAL: PMMA
- COLOR: CLEAR

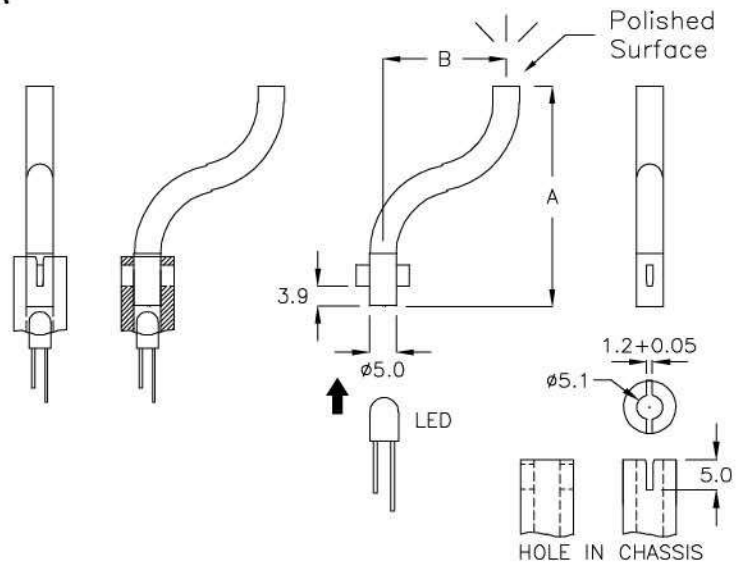


| PART NO | A    | B    | PACKAGE |
|---------|------|------|---------|
| LEAD-10 | 41.5 | 23.3 | 500     |
| LEAD-11 | 45.5 | 23.3 |         |
| LEAD-12 | 76.5 | 23.3 |         |

### 導光柱 LIGHT PIPE

1-50-2

- MATERIAL: PMMA
- COLOR: CLEAR

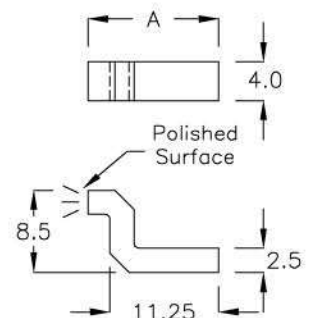
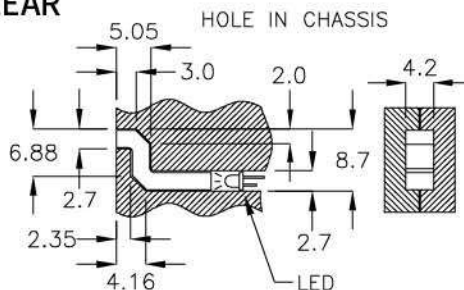


| PART NO  | A    | PACKAGE |
|----------|------|---------|
| LEQD-13K | 13.5 | 2000    |

### 導光柱 LIGHT PIPE

1-50-3

- MATERIAL: PC(UL)
- FLAME CLASS: 94V-2
- COLOR: CLEAR



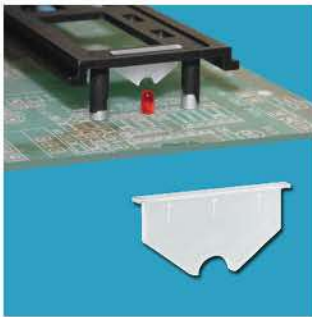
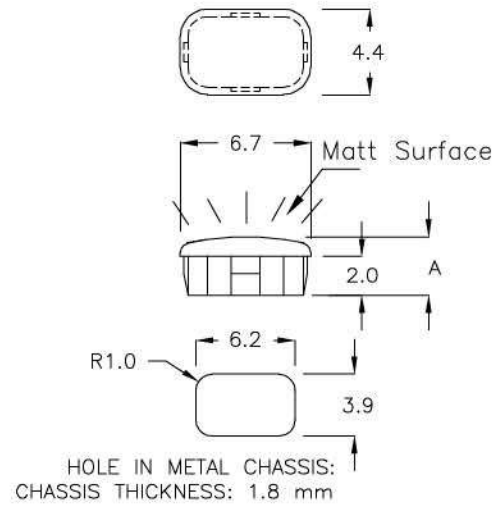


導光柱 LIGHT PIPE

1-51-1

- MATERIAL: PC(UL)
- FLAME CLASS: 94V-2
- COLOR: CLEAR

| PART NO | A   | PACKAGE |
|---------|-----|---------|
| LECD-3K | 3.0 | 1000    |

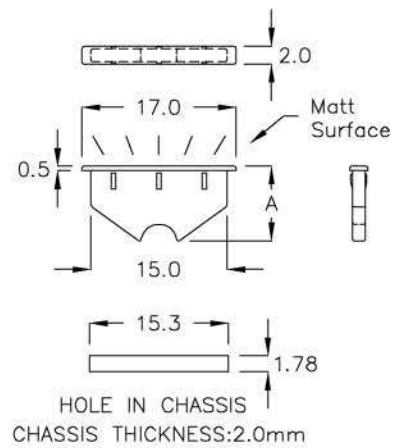


導光柱 LIGHT PIPE

1-51-2

- MATERIAL: PC(UL)
- FLAME CLASS: 94V-2
- COLOR: NATURAL

| PART NO  | A   | PACKAGE |
|----------|-----|---------|
| LEWA-17C | 8.2 | 1000    |

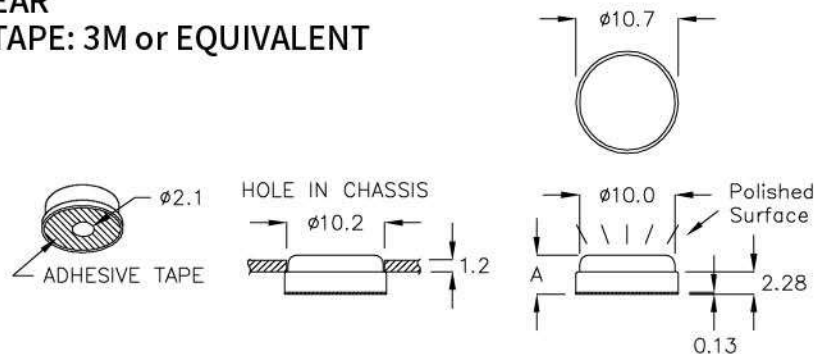


導光柱 LIGHT PIPE

1-51-3

- MATERIAL: PMMA
- COLOR: CLEAR
- ADHESIVE TAPE: 3M or EQUIVALENT

| PART NO | A    | PACKAGE |
|---------|------|---------|
| LERD-3K | 4.03 | 2000    |

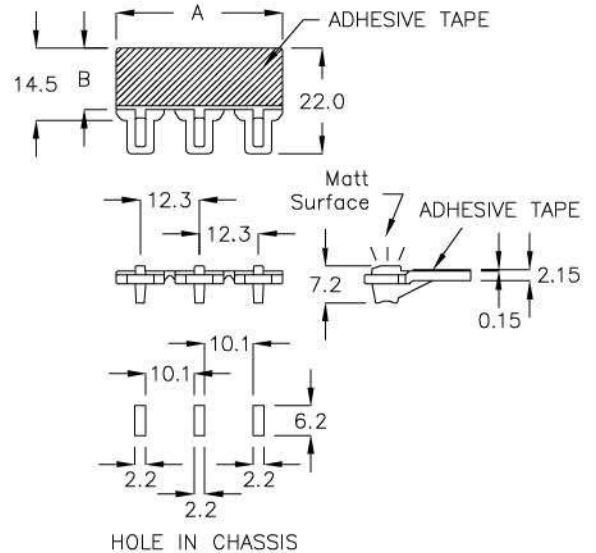




### 導光柱 LIGHT PIPE

1-52-1

- MATERIAL: PC(UL)
- FLAME CLASS: 94V-2
- COLOR: NATURAL
- ADHESIVE TAPE: 3M



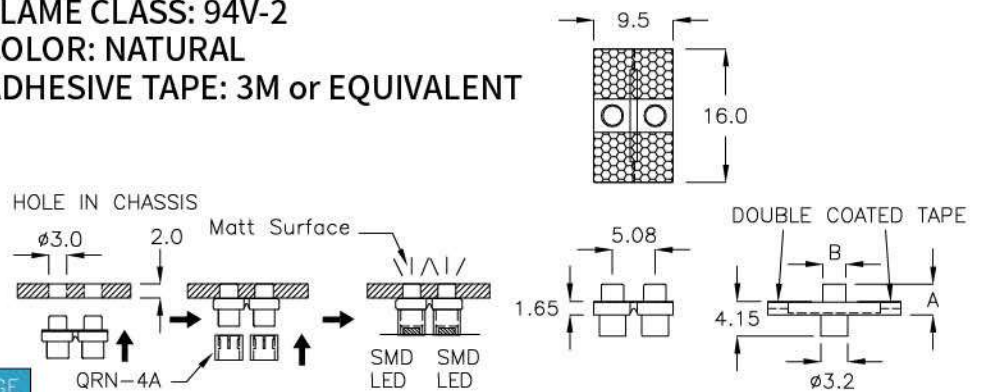
| PART NO  | A    | B    | PACKAGE |
|----------|------|------|---------|
| LEND-22A | 34.6 | 12.8 | 200     |



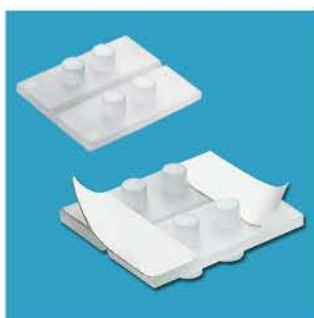
### 導光柱 LIGHT PIPE

1-52-2

- MATERIAL: PC(UL)
- FLAME CLASS: 94V-2
- COLOR: NATURAL
- ADHESIVE TAPE: 3M or EQUIVALENT



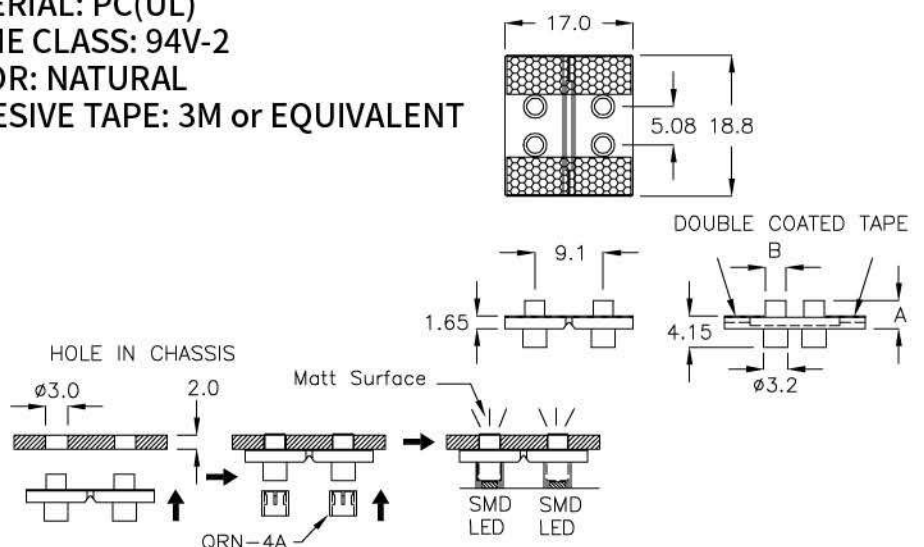
| PART NO  | A   | B             | PACKAGE |
|----------|-----|---------------|---------|
| LEGD-2A  | 3.7 | 2x $\phi$ 2.7 | 1000    |
| LEGD-2KM | 3.3 | 2x $\phi$ 2.7 |         |



### 導光柱 LIGHT PIPE

1-52-3

- MATERIAL: PC(UL)
- FLAME CLASS: 94V-2
- COLOR: NATURAL
- ADHESIVE TAPE: 3M or EQUIVALENT



| PART NO  | A   | B             | PACKAGE |
|----------|-----|---------------|---------|
| LEGD-4C  | 3.7 | 4x $\phi$ 2.7 | 1000    |
| LEGD-4QN | 3.3 | 4x $\phi$ 2.7 |         |

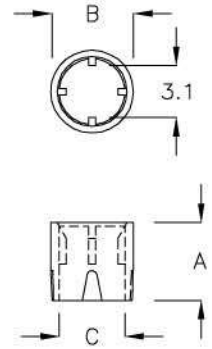


### 遮光罩 LIGHT COVER

- MATERIAL: NYLON 66(UL)
- FLAME CLASS: 94V-2
- COLOR: BLACK

1-53-1

| PART NO | A   | B    | C    | PACKAGE |
|---------|-----|------|------|---------|
| QRN-4A  | 4.7 | ∅5.0 | ∅4.0 | 2000    |

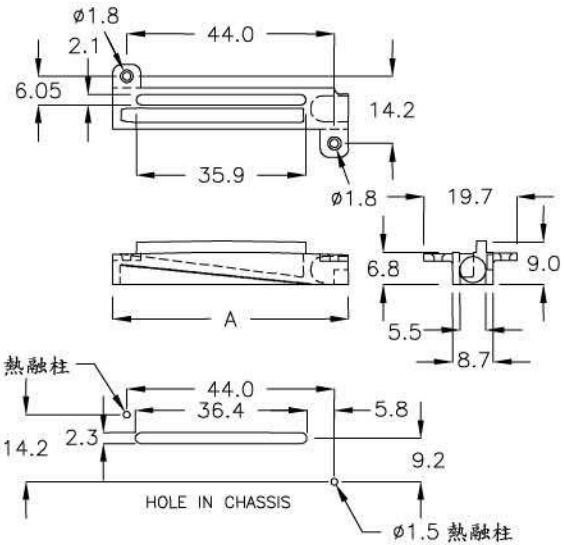
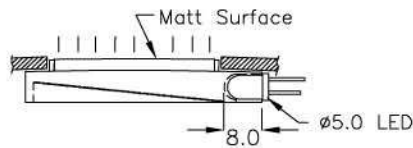


### 導光柱 LIGHT PIPE

- MATERIAL: PC(UL)
- FLAME CLASS: 94V-2
- COLOR: CLEAR

1-53-2

| PART NO  | A    | PACKAGE |
|----------|------|---------|
| LEAD-1KC | 50.0 | 500     |

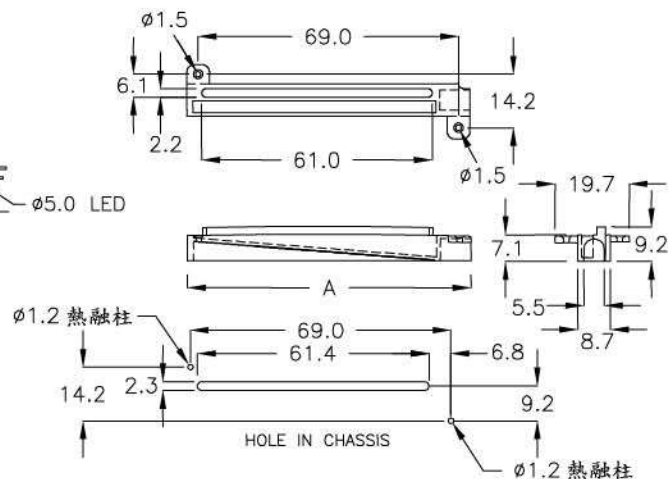
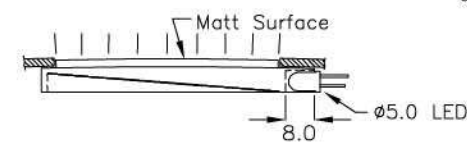


### 導光柱 LIGHT PIPE

- MATERIAL: PC(UL)
- FLAME CLASS: 94V-2
- COLOR: CLEAR

1-53-3

| PART NO  | A    | PACKAGE |
|----------|------|---------|
| LEAD-1NJ | 75.0 | 100     |



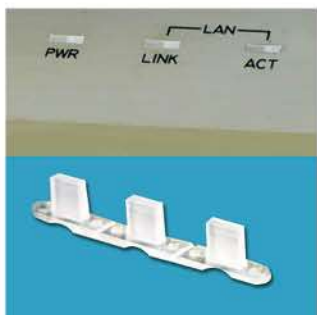
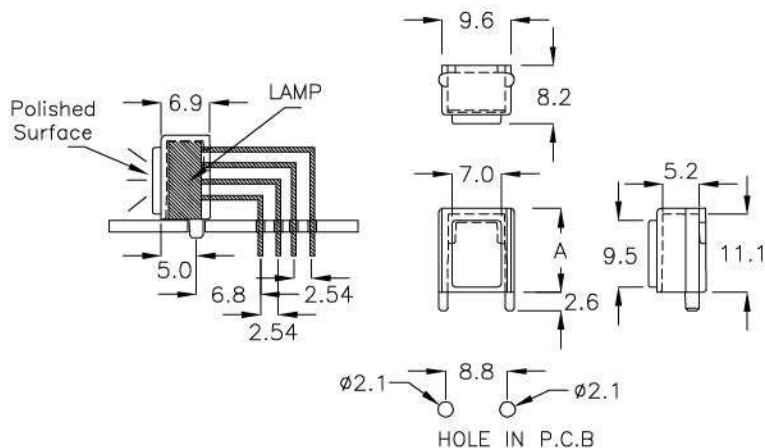


LED 導光罩 LED CAP

1-54-1

- MATERIAL: PC(UL)
- FLAME CLASS: 94V-0
- COLOR: NATURAL

| PART NO   | A    | PACKAGE |
|-----------|------|---------|
| LDHD-12MG | 11.9 | 1000    |

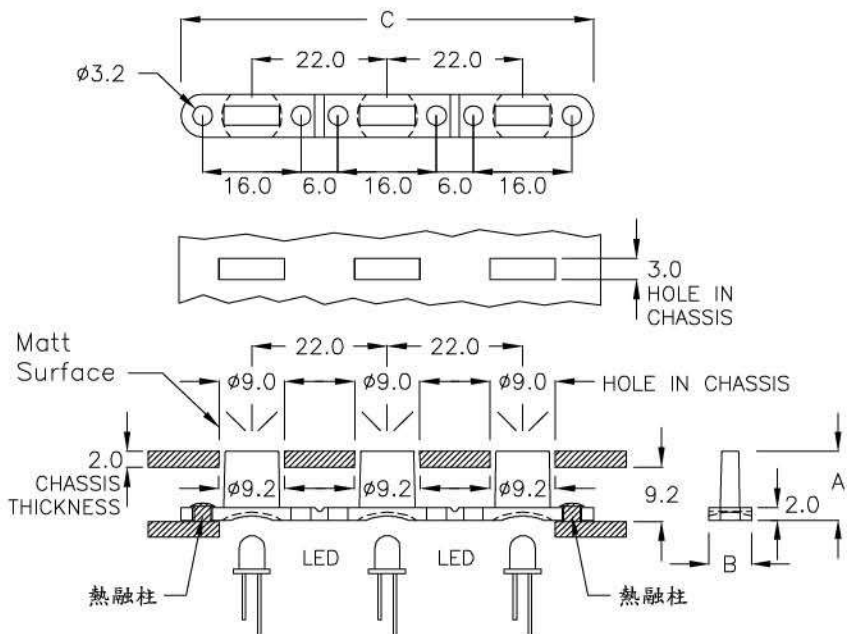


導光柱 LIGHT PIPE

1-54-2

- MATERIAL: PC(UL)
- FLAME CLASS: 94V-2
- COLOR: NATURAL

| PART NO  | A    | B   | C    | PACKAGE |
|----------|------|-----|------|---------|
| LEXD-67D | 11.2 | 7.0 | 67.0 | 200     |

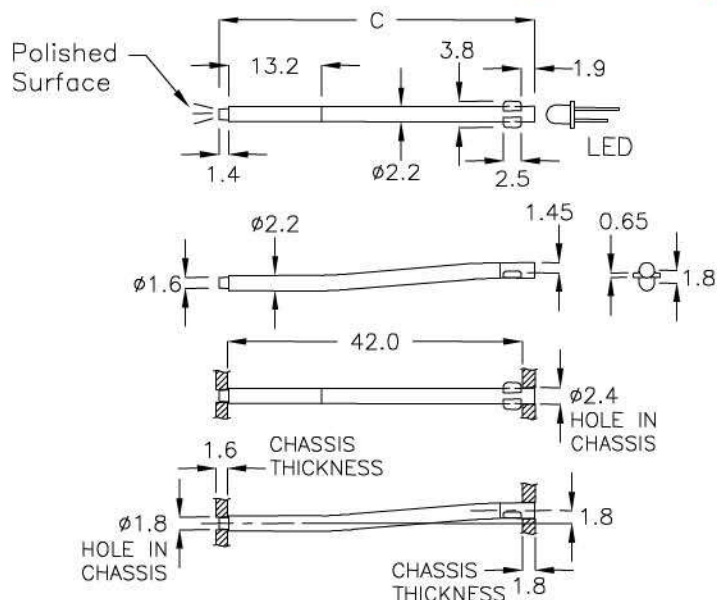


導光棒 LIGHT PIPE

1-54-3

- MATERIAL: PC(UL)
- FLAME CLASS: 94V-0
- COLOR: CLEAR

| PART NO   | C    | PACKAGE |
|-----------|------|---------|
| LDAD-45AT | 44.9 | 2000    |

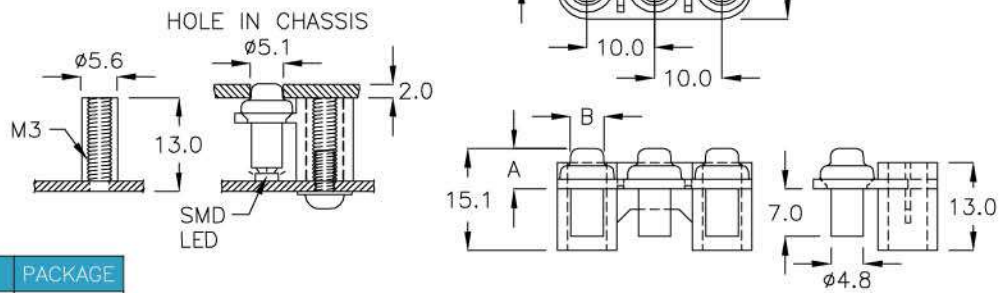




導光柱 LIGHT PIPE

1-55-1

- MATERIAL: PC(UL)
- FLAME CLASS: 94V-2
- COLOR: CLEAR



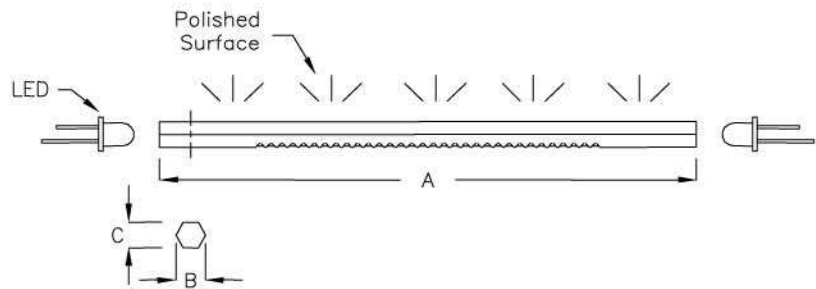
| PART NO   | A   | B     | C    | PACKAGE |
|-----------|-----|-------|------|---------|
| LEWF-28HS | 6.0 | φ4.95 | 28.8 | 500     |



導光柱 LIGHT PIPE

1-55-2

- MATERIAL: PC(UL)
- FLAME CLASS: 94V-2
- COLOR: CLEAR



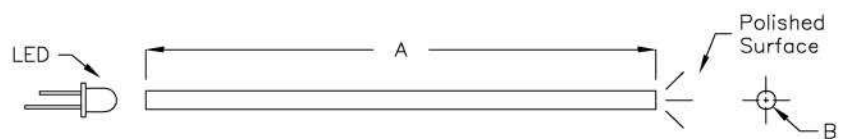
| PART NO | A     | B    | C    | PACKAGE |
|---------|-------|------|------|---------|
| LEAD-50 | 113.0 | 2.75 | 2.38 | 200     |



導光柱 LIGHT PIPE

1-55-3

- MATERIAL: PC(UL)
- FLAME CLASS: 94V-2
- COLOR: CLEAR



| PART NO | A    | B    | PACKAGE |
|---------|------|------|---------|
| LEAD-81 | 81.0 | φ3.0 | 500     |





護線環

SNAP BUSHING

02



塞環

HOLE PLUG



線扣  
BUSHING

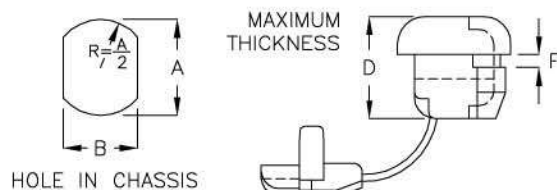




電源線扣 STRAIN RELIEF BUSHING

2-2-1

- MATERIAL: NYLON 66(UL)
- FLAME CLASS: 94V-2
- COLOR: BLACK



PG Cord Bushings are the easy and low-cost way to insulate and protect your AC Cords. Provide non-slip grip and will not damage the insulation of AC Cord.



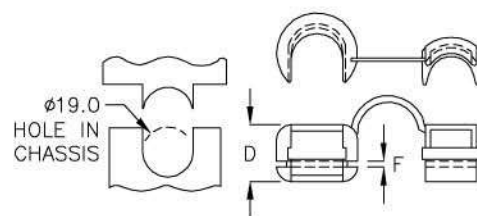
| PART NO | SUITABLE CABLE TYPE & DIMENSIONS OF CHASSIS |                   |           |      |                       |                     | D PART LENGTH | UL | PACKAGE |     |
|---------|---|-------------------|-----------|------|-----------------------|---------------------|---------------|----|---------|-----|
|         | CROSS SECTION SHAPE                         | WIRE ACCOMMODATED | SIZE      | A    | B TO PREVENT ROTATION | F MAXIMUM THICKNESS |               |    |         |     |
| 2RF-2   | FLAT  | SPT-1             | 2.8x5.3   | 9.5  | 8.7                   | 3.2                 | 10.8          | UL | 500     |     |
| 3RF-1   | FLAT  | SPT-2             | 3.0x5.6   | 11.1 | 9.9                   | 2.6                 | 10.3          |    |         |     |
| 3RF-2   | FLAT  | SPT-2             | 3.0x5.6   | 11.1 | 10.1                  | 1.6                 | 10.3          | UL |         |     |
| 4RF-4   | FLAT  | SPT-2             | 3.0x5.6   | 12.7 | 11.5                  | 2.5                 | 11.2          | UL |         |     |
| 4RF-5   | FLAT  | SPT-2             | 3.8x7.6   | 12.7 | 11.8                  | 1.6                 | 10.4          | UL |         |     |
| 4RF-6   | FLAT  | SPT-2             | 3.0x6.5   | 12.5 | 11.6                  | 2.7                 | 10.5          | UL |         |     |
| 5R-2    | ROUND                                       | SVI               | 7.6       | 12.7 | 11.5                  | 1.6                 | 11.3          |    |         |     |
| 5R-4    | ROUND                                       | SV,SVT            | 6.4       | 12.7 | 11.5                  | 1.6                 | 11.3          | UL |         |     |
| 5R-4A   | ROUND                                       | SV,SVT            | 6.4       | 12.7 | 11.5                  | 2.5                 | 11.0          | UL |         |     |
| 5RF-4   | FLAT  | SPT-2             | 3.8x8.9   | 14.3 | 13.4                  | 1.6                 | 15.45         | UL | 200     |     |
|         |   | SPT-3             | 5.0x10.0  |      |                       |                     |               |    |         |     |
| 6R-4    | ROUND                                       | SVI               | 7.6       | 15.9 | 14.0                  | 1.6                 | 14.9          | UL |         |     |
| 6R-6    | ROUND                                       | SJ,SJT            | 8.2       | 15.9 | 14.0                  | 1.6                 | 14.5          | UL |         |     |
| 6R-6A   | ROUND                                       | SJ,SJT            | 8.2       | 15.9 | 14.0                  | 3.2                 | 14.5          |    |         |     |
| 7R-2    | ROUND                                       | S,ST              | 9.2-10.5  | 19.0 | 16.8                  | 1.6                 | 19.0          | UL |         | 100 |
|         |   |                   | 11.0      | 19.8 |                       |                     |               |    |         |     |
| 7R-2A   | ROUND                                       | S,ST              | 9.2-10.5  | 19.0 | 16.8                  | 3.2                 | 19.0          | UL |         |     |
|         |   |                   | 11.0      | 19.8 |                       |                     |               |    |         |     |
| 7R-2LT  | ROUND                                       | SJT               | 9.6-10.0  | 19.0 | 16.8                  | 1.0                 | 15.0          |    |         |     |
| 8R-2    | ROUND                                       | SJT               | 13.5-15.2 | 22.2 | 21.5                  | 3.2                 | 20.0          | UL |         |     |
| 8R-2A   | ROUND                                       | SJT               | 13.5      | 23.0 | 22.0                  | 2.0                 | 19.9          |    |         |     |
| 9R-2    | ROUND                                       | SJT               | 15.2-16.3 | 28.0 | 25.2                  | 2.4                 | 25.6          |    | 50      |     |
|         |   |                   | 17.5      | 30.2 | 25.2                  | 6.7                 |               |    |         |     |
| 9R-2A   | ROUND                                       | SJT               | 15.5      | 28.0 | 25.2                  | 2.4                 | 14.5          |    | 100     |     |
| 9R-2B   | ROUND                                       | SJT               | 18.2      | 28.0 | 25.2                  | 2.4                 | 23.9          |    | 50      |     |



電源線扣 STRAIN RELIEF BUSHING

2-2-2

- MATERIAL: NYLON 66(UL)
- FLAME CLASS: 94V-2
- COLOR: BLACK

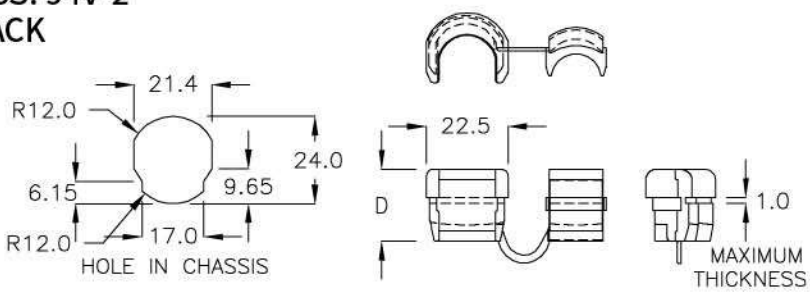


| PART NO | SUITABLE CABLE TYPE & DIMENSIONS OF CHASSIS |                   |      |                     | D PART LENGTH | UL | PACKAGE |
|---------|---|-------------------|------|---------------------|---------------|----|---------|
|         | CROSS SECTION SHAPE                         | WIRE ACCOMMODATED | SIZE | F MAXIMUM THICKNESS |               |    |         |
| 7R-7    | ROUND                                       | S.P.S             | 14.0 | 1.6                 | 17.6          | UL | 100     |
| 7R-7B   | ROUND                                       | S.P.S             | 12.5 | 1.3                 | 17.5          |    |         |
| 7R-7C   | ROUND                                       | S.P.S             | 13.5 | 1.3                 | 17.6          |    |         |
| 7R-7E   | ROUND                                       | S.P.S             | 12.0 | 1.6                 | 17.7          |    |         |



電源線扣 STRAIN RELIEF BUSHING ———— 2-3-1

- MATERIAL: NYLON 66(UL)
- FLAME CLASS: 94V-2
- COLOR: BLACK

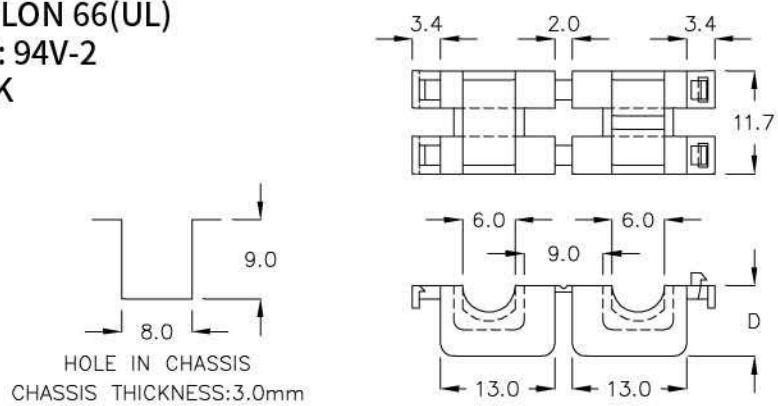


| PART NO | D    | WIRE ACCOMMODATED | PACKAGE |
|---------|------|-------------------|---------|
| 8R-2QT  | 19.8 | ∅15.0             | 100     |



電源線扣 STRAIN RELIEF BUSHING ———— 2-3-2

- MATERIAL: NYLON 66(UL)
- FLAME CLASS: 94V-2
- COLOR: BLACK

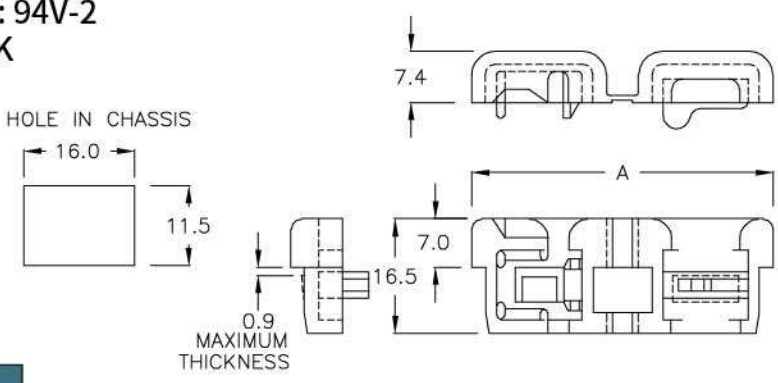


| PART NO | D   | PACKAGE |
|---------|-----|---------|
| 5R-1    | 8.0 | 200     |



電源線扣 STRAIN RELIEF BUSHING ———— 2-3-3

- MATERIAL: NYLON 66(UL)
- FLAME CLASS: 94V-2
- COLOR: BLACK

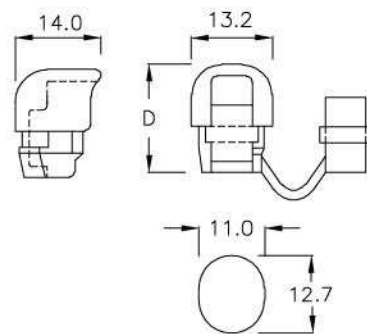


| PART NO | A    | WIRE ACCOMMODATED | UL | PACKAGE |
|---------|------|-------------------|----|---------|
| 5RF-5A  | 42.6 | SPT-2             | UL | 200     |
| 5RF-5B  | 42.8 | SPT-2             | UL |         |
| 5RF-5D  | 42.8 | SPT-2             |    |         |



電源線扣 STRAIN RELIEF BUSHING 2-4-1

- MATERIAL: NYLON 66(UL)
- FLAME CLASS: 94V-2
- COLOR: BLACK



HOLE IN CHASSIS

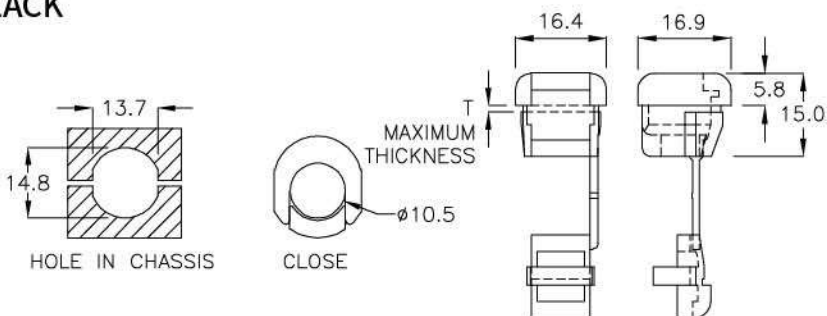


| PART NO | WIRE ACCOMMODATED | MAXIMUM THICKNESS | D    | UL | PACKAGE |
|---------|-------------------|-------------------|------|----|---------|
| 5R-6    | SPT-2(3x6.6)      | 2.5               | 17.6 | UL | 200     |
| 5R-7    | SV(ø6)            | 2.5               | 17.7 | UL |         |



電源線扣 STRAIN RELIEF BUSHING 2-4-2

- MATERIAL: NYLON 66(UL)
- FLAME CLASS: 94V-2
- COLOR: BLACK

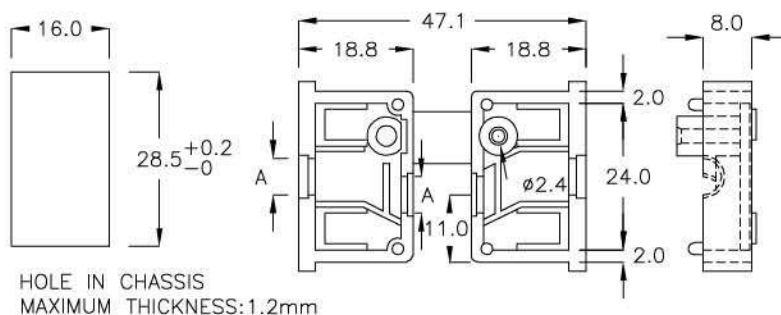


| PART NO | MAXIMUM THICKNESS:T | PACKAGE |
|---------|---------------------|---------|
| 7R-2D   | 1.0                 | 100     |

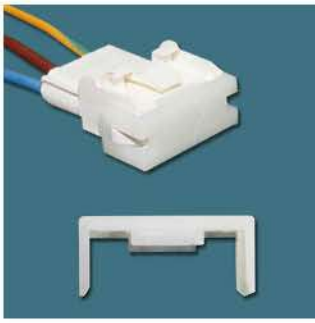


電源線扣 STRAIN RELIEF BUSHING 2-4-3

- MATERIAL: NYLON 66(UL)
- FLAME CLASS: 94V-2
- COLOR: GRAY,BLACK

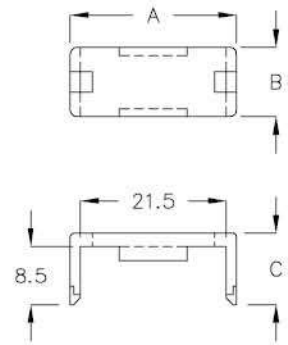


| PART NO | A    | PACKAGE |
|---------|------|---------|
| 6R-9    | ø6.0 | 100     |
| 6R-09C  | ø8.5 | 200     |



端子保護蓋 CONNECTOR COVER 2-25-1

- MATERIAL: NYLON 66(UL)
- FLAME CLASS: 94V-2
- COLOR: NATURAL

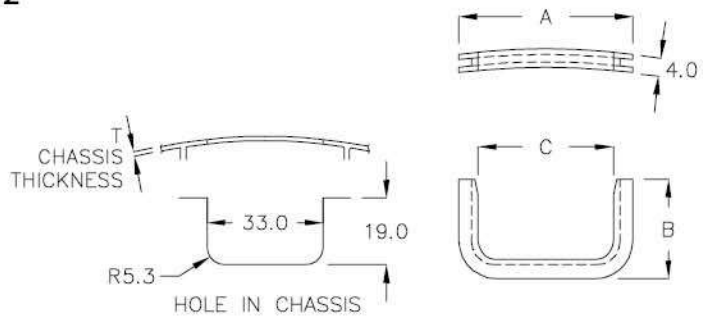


| PART NO | A    | B    | C    | PACKAGE |
|---------|------|------|------|---------|
| BH-012  | 24.5 | 10.2 | 10.5 | 500     |



護線套 EDGING 2-25-2

- MATERIAL: NYLON 66(UL)
- FLAME CLASS: 94V-2
- COLOR: BLACK

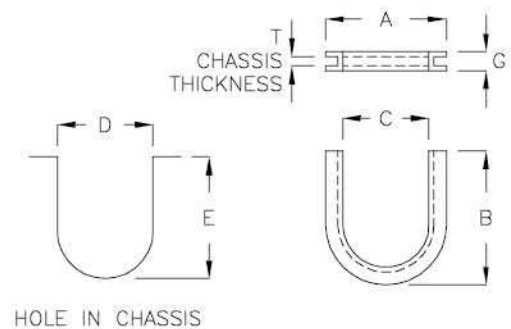


| PART NO | A    | B     | C    | T<br>CHASSIS<br>THICKNESS | PACKAGE |
|---------|------|-------|------|---------------------------|---------|
| DDS-04  | 37.9 | 21.65 | 29.5 | 1.3                       | 500     |

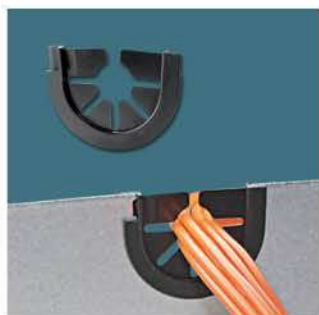


護線套 EDGING 2-25-3

- MATERIAL: NYLON 66(UL)
- FLAME CLASS: 94V-2
- COLOR: BLACK



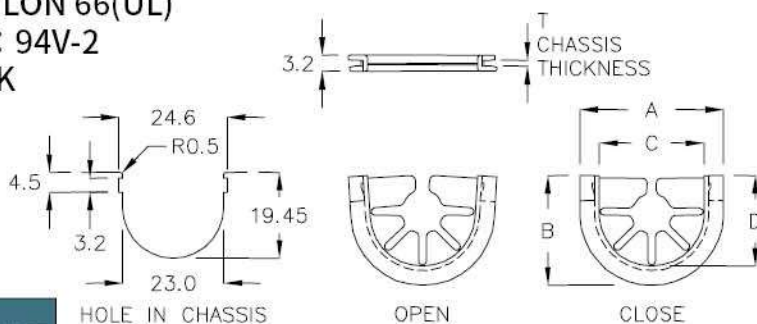
| PART NO | A    | B    | C    | D    | E    | G    | T<br>CHASSIS<br>THICKNESS | PACKAGE |
|---------|------|------|------|------|------|------|---------------------------|---------|
| UST-01  | 24.2 | 26.8 | 17.2 | 19.2 | 25.0 | 3.85 | 1.6                       | 500     |
| UST-02  | 24.0 | 21.0 | 16.0 | 18.0 | 18.0 | 3.8  | 1.7                       |         |
| UST-03  | 21.4 | 29.7 | 16.0 | 17.8 | 27.9 | 3.0  | 0.8                       |         |
| UST-04  | 16.0 | 16.0 | 10.0 | 12.0 | 14.0 | 3.4  | 1.3                       |         |
| UST-05  | 21.4 | 27.5 | 16.0 | 17.8 | 25.7 | 3.0  | 1.0                       |         |
| UST-06  | 31.3 | 36.5 | 21.3 | 26.0 | 35.0 | 3.8  | 1.6                       |         |
| UST-07  | 31.3 | 36.8 | 21.3 | 26.1 | 34.2 | 4.3  | 1.7                       |         |
| UST-08  | 28.3 | 29.5 | 20.7 | 22.0 | 26.7 | 4.0  | 1.6~1.8                   |         |
| UST-12  | 24.0 | 21.0 | 16.0 | 18.0 | 18.0 | 3.3  | 1.0                       |         |



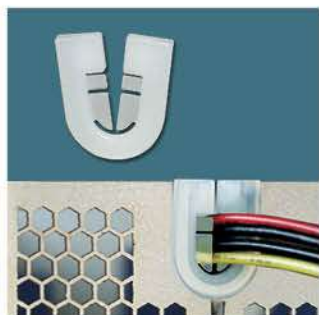
護線套 EDGING

2-26-1

- MATERIAL : NYLON 66(UL)
- FLAME CLASS : 94V-2
- COLOR : BLACK



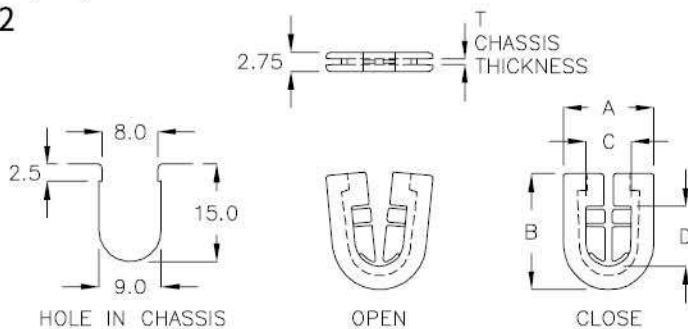
| PART NO | A    | B    | C    | D    | T<br>CHASSIS<br>THICKNESS | PACKAGE |
|---------|------|------|------|------|---------------------------|---------|
| USK-21A | 29.0 | 22.1 | 21.2 | 18.0 | 1.0                       | 500     |



方型護線環 EDGE SADDLE

2-26-2

- MATERIAL: NYLON 66(UL)
- FLAME CLASS: 94V-2
- COLOR: NATURAL



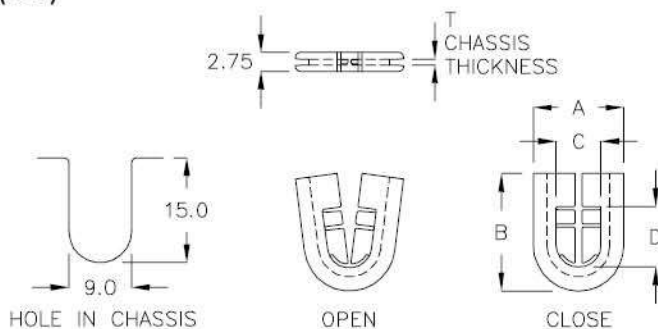
| PART NO | A    | B    | C   | D   | T<br>CHASSIS<br>THICKNESS | PACKAGE |
|---------|------|------|-----|-----|---------------------------|---------|
| USM-6KP | 13.0 | 16.8 | 6.4 | 8.7 | 0.6                       | 1000    |



方型護線環 EDGE SADDLE

2-26-3

- MATERIAL: NYLON 66(UL)
- FLAME CLASS: 94V-2
- COLOR: NATURAL

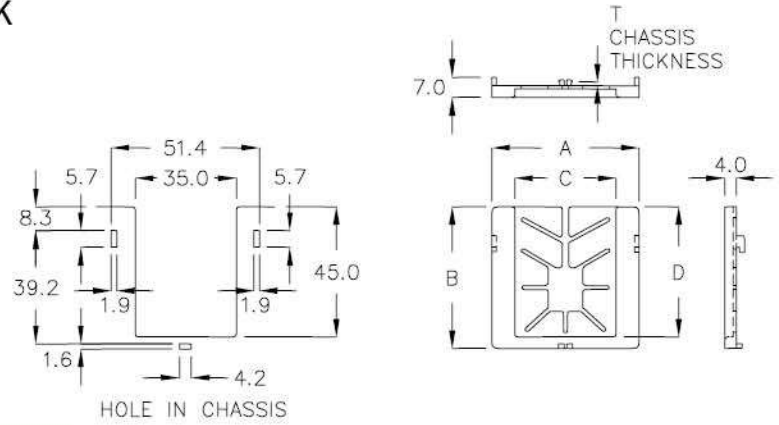


| PART NO | A    | B    | C   | D   | T<br>CHASSIS<br>THICKNESS | PACKAGE |
|---------|------|------|-----|-----|---------------------------|---------|
| USM-6M  | 13.0 | 16.8 | 6.4 | 8.7 | 0.6                       | 1000    |

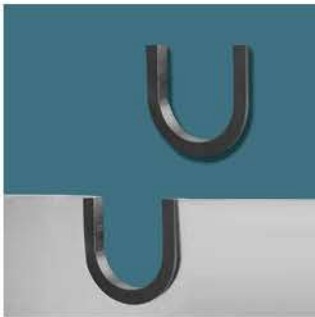


方型護線環 EDGE SADDLE ————— | 2-27-1 |

- MATERIAL: TPE
- COLOR: BLACK

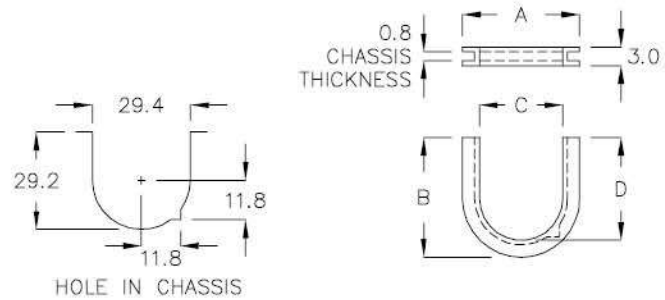


| PART NO  | A    | B    | C    | D    | T CHASSIS THICKNESS | PACKAGE |
|----------|------|------|------|------|---------------------|---------|
| USCF-51G | 51.0 | 49.0 | 35.0 | 45.0 | 1.0                 | 200     |



護線套 EDGING ————— | 2-27-2 |

- MATERIAL: NYLON 66(UL)
- FLAME CLASS: 94V-2
- COLOR: BLACK

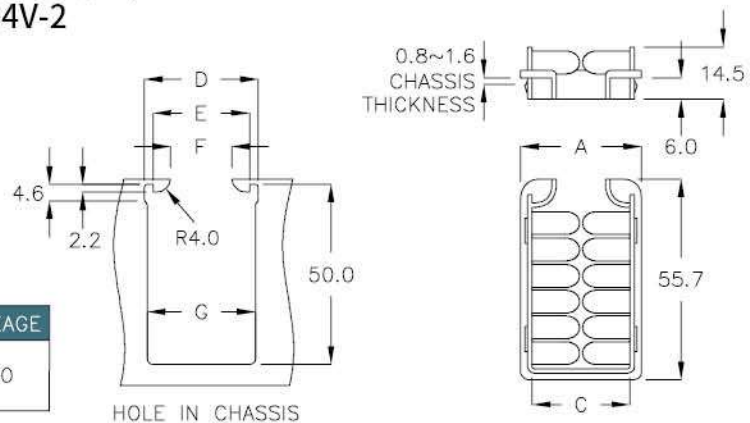


| PART NO | A    | B    | C    | D    | PACKAGE |
|---------|------|------|------|------|---------|
| UST-27Q | 35.1 | 31.7 | 27.4 | 27.8 | 500     |



方型護線環 EDGE SADDLE ————— | 2-27-3 |

- MATERIAL: NYLON 66(UL)
- FLAME CLASS: 94V-2
- COLOR: BLACK

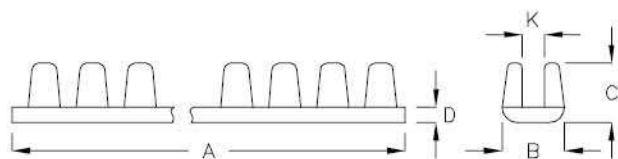


| PART NO  | A    | C    | D    | E    | F    | G    | PACKAGE |
|----------|------|------|------|------|------|------|---------|
| USC-27KH | 33.6 | 27.2 | 31.6 | 26.8 | 17.0 | 30.0 | 100     |
| USC-37FG | 43.6 | 37.2 | 41.6 | 36.8 | 29.2 | 40.0 |         |



## 活動護線套 MOVABLE BUSHING ———— 2-28-1 |

- MATERIAL: NYLON 66(UL)
- FLAME CLASS: 94V-2
- COLOR: NATURAL

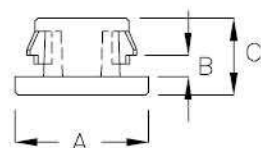
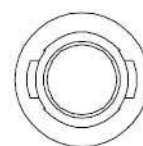


| PART NO  | A     | B   | C   | D    | K   | SUITABLE THICKNESS | PACKAGE |
|----------|-------|-----|-----|------|-----|--------------------|---------|
| US-12.31 | 31.2  | 3.2 | 4.0 | 1.2  | 1.1 | 1.2                | 2000    |
| US-116.7 | 66.5  | 3.7 | 3.9 | 1.0  | 1.0 | 1.2                |         |
| US-127.9 | 79.0  | 3.2 | 4.3 | 1.3  | 1.2 | 1.3                | 1000    |
| US-2010  | 100.0 | 4.4 | 4.3 | 1.3  | 2.0 | 2.0                |         |
| US-0725  | 256.0 | 3.2 | 4.6 | 1.7  | 0.7 | 0.7                |         |
| US-0926  | 260.0 | 3.1 | 3.8 | 0.8  | 0.9 | 1.0                |         |
| US-1125  | 256.0 | 3.4 | 4.4 | 1.6  | 1.0 | 1.1                |         |
| US-1126  | 265.0 | 3.5 | 4.4 | 1.6  | 0.9 | 1.0                |         |
| US-1225  | 256.0 | 3.2 | 4.2 | 1.4  | 1.2 | 1.3                |         |
| US-1317  | 176.0 | 3.7 | 4.3 | 1.3  | 1.3 | 1.5                | 500     |
| US-1325  | 256.0 | 3.7 | 4.3 | 1.3  | 1.3 | 1.5                |         |
| US-1725  | 256.0 | 4.2 | 4.4 | 1.4  | 1.6 | 1.7                |         |
| US-2025  | 256.0 | 4.4 | 4.3 | 1.4  | 2.0 | 2.1                |         |
| US-2425  | 256.0 | 5.2 | 4.6 | 1.7  | 2.4 | 2.4                |         |
| US-3025  | 255.0 | 5.8 | 4.5 | 1.25 | 3.0 | 3.2                | 200     |
| US-3525  | 256.0 | 6.2 | 5.5 | 2.3  | 3.4 | 3.6                |         |



## 塞環 HOLE PLUG ———— 2-28-2 |

- MATERIAL: NYLON 66(UL)
- FLAME CLASS: 94V-2
- COLOR: BLACK



| PART NO | CHASSIS THICKNESS | HOLE IN CHASSIS | A     | B   | C   | PACKAGE |
|---------|-------------------|-----------------|-------|-----|-----|---------|
| M-8A    | 1.6               | ø8.5            | ø11.5 | 1.8 | 6.6 | 1000    |

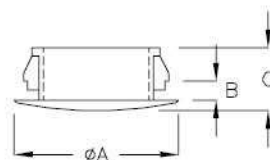
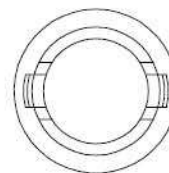




## 塞環 HOLE PLUG

2-29-1

- MATERIAL: NYLON 66(UL)
- FLAME CLASS: 94V-2
- COLOR: BLACK



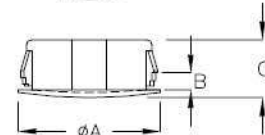
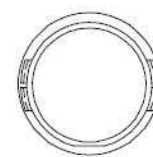
| PART NO | MAXIMUM THICKNESS | HOLE IN CHASSIS | A    | B    | C   | PACKAGE |
|---------|-------------------|-----------------|------|------|-----|---------|
| M-3K    | 1.6               | ø3.0~ø3.1       | 5.2  | 1.65 | 4.3 | 2000    |
| M-3LM   | 1.6               | ø3.4~ø3.6       | 5.6  | 1.8  | 4.3 |         |
| M-4DR   | 1.6               | ø3.9~ø4.1       | 5.8  | 1.65 | 5.0 |         |
| M-4MF   | 1.6               | ø4.4~ø4.6       | 6.0  | 1.65 | 5.0 |         |
| M-4     | 1.6               | ø4.7~ø4.9       | 6.0  | 1.8  | 5.2 |         |
| M-5     | 1.0               | ø4.95~ø5.0      | 7.5  | 1.3  | 5.7 |         |
| M-6     | 1.6               | ø6.3~ø6.5       | 7.6  | 1.8  | 5.6 | 1000    |
| M-6A    | 1.6               | ø6.2~ø6.5       | 8.0  | 1.85 | 8.0 |         |
| M-7     | 1.6               | ø7.0~ø7.1       | 11.0 | 1.9  | 7.0 |         |
| M-8     | 1.6               | ø7.6~ø8.0       | 9.5  | 1.8  | 6.0 |         |
| M-9     | 1.2               | ø9.5~ø9.6       | 13.0 | 2.0  | 6.5 |         |
| M-10    | 1.4               | ø9.6~ø10.0      | 13.0 | 1.8  | 6.0 |         |
| M-11A   | 1.4               | ø11.45~ø11.55   | 18.6 | 2.0  | 7.0 |         |
| M-11DC  | 0.8               | ø11.2~ø11.25    | 15.0 | 1.35 | 6.9 |         |
| M-13    | 2.1               | ø12.7~ø13.0     | 17.0 | 2.3  | 8.0 |         |
| M-16    | 2.0               | ø15.9~ø16.0     | 20.0 | 2.3  | 7.7 |         |



## 塞環 HOLE PLUG

2-29-2

- MATERIAL: NYLON 66(UL)
- FLAME CLASS: 94V-2
- COLOR: BLACK



| PART NO | MAXIMUM THICKNESS | HOLE IN CHASSIS | A    | B   | C    | PACKAGE |
|---------|-------------------|-----------------|------|-----|------|---------|
| M-15    | 1.6               | ø15.0~ø15.1     | 16.8 | 1.8 | 7.0  | 500     |
| M-19    | 3.2               | ø18.9~ø19.0     | 23.5 | 3.5 | 10.5 |         |
| M-22    | 3.0               | ø21.9~ø22.0     | 26.0 | 3.4 | 9.6  |         |
| M-22C   | 3.5               | ø21.9~ø22.0     | 25.8 | 3.7 | 11.7 | 200     |
| M-25    | 3.2               | ø25.4~ø25.6     | 28.0 | 4.0 | 12.7 |         |
| M-28A   | 3.5               | ø28.3~ø28.4     | 32.0 | 3.9 | 13.1 |         |
| M-30    | 3.2               | ø30.5~ø30.6     | 34.0 | 4.0 | 13.0 |         |
| M-32    | 2.2               | ø32.0~ø32.1     | 35.7 | 2.6 | 13.0 |         |

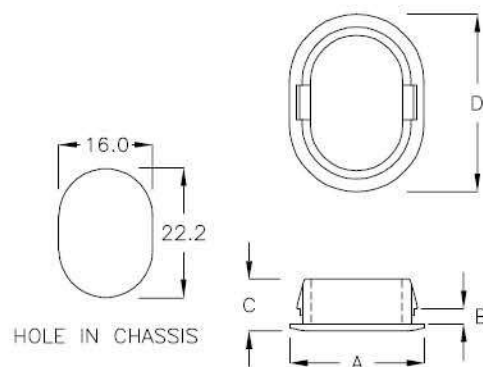


### 塞環 HOLE PLUG

2-30-1

- MATERIAL: NYLON 66(UL)
- FLAME CLASS: 94V-2
- COLOR: NATURAL, BLACK

| PART NO | MAXIMUM THICKNESS | A    | B   | C   | D    | PACKAGE |
|---------|-------------------|------|-----|-----|------|---------|
| M-22A   | 2.0               | 19.4 | 2.2 | 7.5 | 25.6 | 200     |

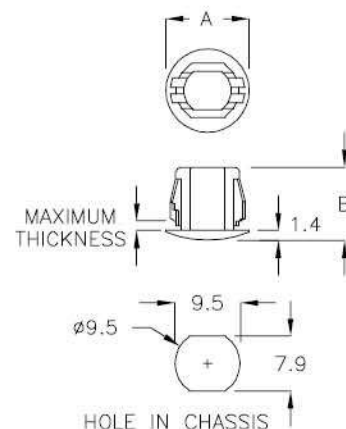


### 塞頭 HOLE PLUG

2-30-2

- MATERIAL: NYLON 66(UL)
- FLAME CLASS: 94V-2
- COLOR: BLACK

| PART NO | MAXIMUM THICKNESS | A     | B    | PACKAGE |
|---------|-------------------|-------|------|---------|
| MU-9JP  | 3.4               | ∅12.0 | 10.5 | 1000    |

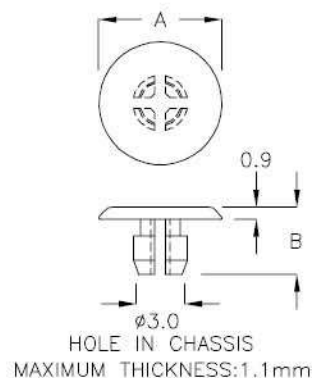


### 保護蓋 HOLE PROTECTOR

2-30-3

- MATERIAL: NYLON 66(UL)
- FLAME CLASS: 94V-2
- COLOR: BLACK

| PART NO | A    | B   | PACKAGE |
|---------|------|-----|---------|
| MBF-01  | ∅8.9 | 4.9 | 1000    |



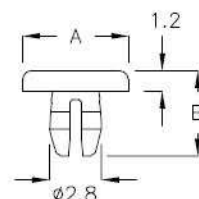
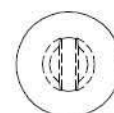


### 塞頭 HOLE PLUG

2-31-1

- MATERIAL: NYLON 66(UL)
- FLAME CLASS: 94V-2
- COLOR: NATURAL

| PART NO | A    | B   | PACKAGE |
|---------|------|-----|---------|
| MHG-1A  | ∅6.2 | 5.0 | 2000    |



HOLE IN CHASSIS  
CHASSIS THICKNESS: >4.0mm

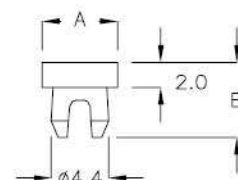


### 塞頭 HOLE PLUG

2-31-2

- MATERIAL: NYLON 66(UL)
- FLAME CLASS: 94V-2
- COLOR: BLACK

| PART NO | A    | B   | PACKAGE |
|---------|------|-----|---------|
| MHG-02  | ∅6.0 | 6.0 | 2000    |



HOLE IN CHASSIS  
CHASSIS THICKNESS: >1.6mm

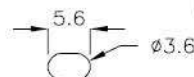
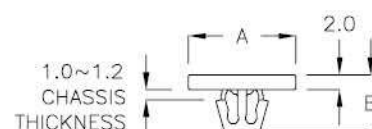


### 塞頭 HOLE PLUG

2-31-3

- MATERIAL: NYLON 66(UL)
- FLAME CLASS: 94V-2
- COLOR: BLACK

| PART NO | A    | B   | PACKAGE |
|---------|------|-----|---------|
| MMD-01  | 14.4 | 7.5 | 1000    |



HOLE IN CHASSIS

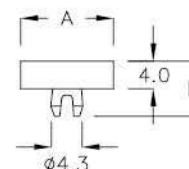
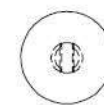


### 塞頭 HOLE PLUG

2-31-4

- MATERIAL: NYLON 66(UL)
- FLAME CLASS: 94V-2
- COLOR: BLACK

| PART NO | A     | B   | PACKAGE |
|---------|-------|-----|---------|
| MHG-04  | ∅13.4 | 7.9 | 2000    |



HOLE IN CHASSIS  
CHASSIS THICKNESS: >4.0mm

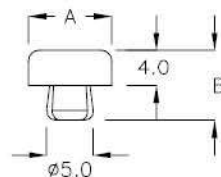


### 塞頭 HOLE PLUG

2-32-1

- MATERIAL: NYLON 66(UL)
- FLAME CLASS: 94V-2
- COLOR: NATURAL

| PART NO | A    | B   | PACKAGE |
|---------|------|-----|---------|
| MHG-4A  | ø9.5 | 8.0 | 2000    |



HOLE IN CHASSIS  
CHASSIS THICKNESS: >4.0mm

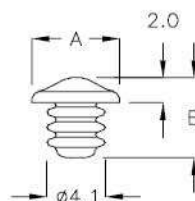


### 塞頭 HOLE PLUG

2-32-2

- MATERIAL: SILICONE
- COLOR: NATURAL

| PART NO | A    | B   | PACKAGE |
|---------|------|-----|---------|
| SRR-6A  | ø7.0 | 6.4 | 2000    |



HOLE IN CHASSIS  
CHASSIS THICKNESS: >4.0mm

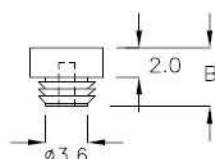
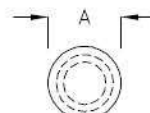


### 塞頭 HOLE PLUG

2-32-3

- MATERIAL: TPE
- COLOR: BLACK

| PART NO | A    | B   | PACKAGE |
|---------|------|-----|---------|
| MPL-05  | ø5.0 | 4.0 | 2000    |



HOLE IN CHASSIS:  
CHASSIS THICKNESS: >2.0mm

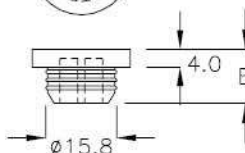


### 塞頭 HOLE PLUG

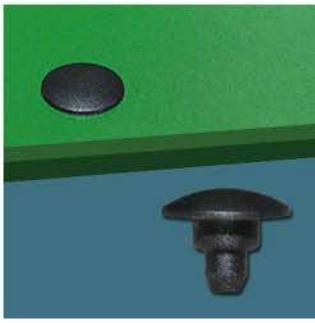
2-32-4

- MATERIAL: TPE
- COLOR: BLACK

| PART NO | A     | B    | PACKAGE |
|---------|-------|------|---------|
| MPL-21Q | ø21.8 | 12.0 | 100     |



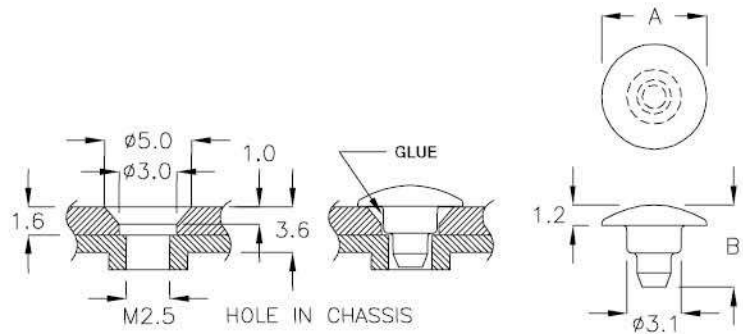
HOLE IN CHASSIS  
CHASSIS THICKNESS: >8.0mm



**塞頭 HOLE PLUG**

**2-33-1**

- MATERIAL: TPE
- COLOR: BLACK



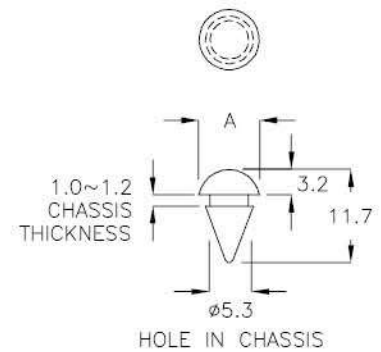
| PART NO | A    | B   | PACKAGE |
|---------|------|-----|---------|
| MPZ-6Q  | ø6.0 | 4.7 | 2000    |



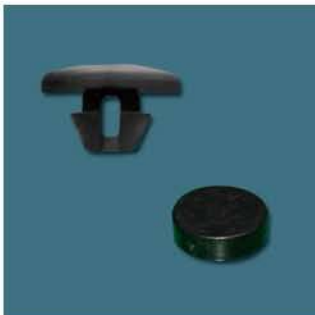
**塞頭 HOLE PLUG**

**2-33-2**

- MATERIAL: SILICONE
- COLOR: BLACK



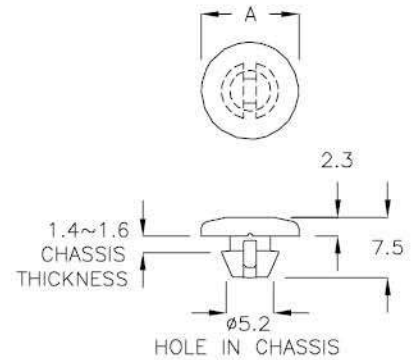
| PART NO | A    | PACKAGE |
|---------|------|---------|
| MHG-5F  | ø7.7 | 1000    |



**塞頭 HOLE PLUG**

**2-33-3**

- MATERIAL: TPE
- COLOR: BLACK



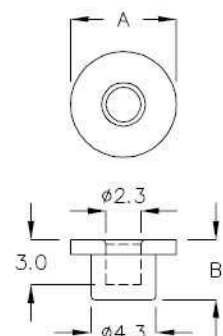
| PART NO | A     | PACKAGE |
|---------|-------|---------|
| MAF-4D  | ø12.0 | 1000    |



**固定座 MOUNT**

**2-33-4**

- MATERIAL: SILICONE
- COLOR: BLACK



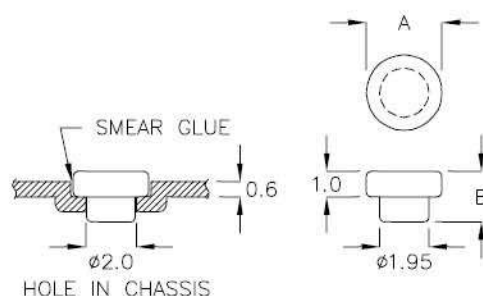
| PART NO | A    | B   | PACKAGE |
|---------|------|-----|---------|
| MMQ-01  | ø7.0 | 4.0 | 2000    |



### 固定座 MOUNT

2-34-1

- MATERIAL: NYLON 66(UL)
- FLAME CLASS: 94V-2
- COLOR: NATURAL



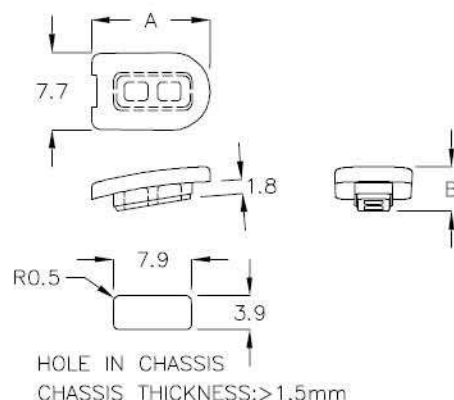
| PART NO | A          | B   | PACKAGE |
|---------|------------|-----|---------|
| MMQ-02  | $\phi 3.0$ | 2.0 | 2000    |



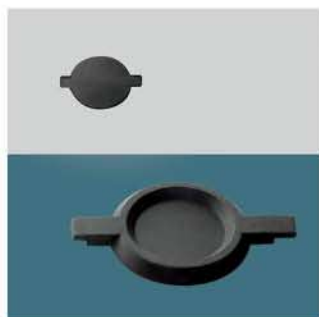
### 塞頭 HOLE PLUG

2-34-2

- MATERIAL: TPE
- COLOR: BLACK



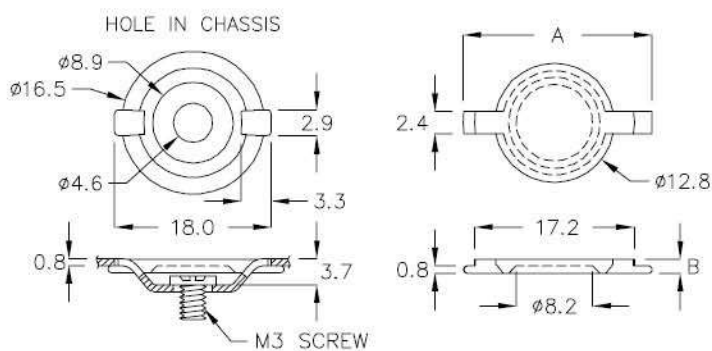
| PART NO | A     | B   | PACKAGE |
|---------|-------|-----|---------|
| MXR-7BK | 11.75 | 4.4 | 1000    |



### 塞頭 HOLE PLUG

2-34-3

- MATERIAL: TPE
- COLOR: BLACK



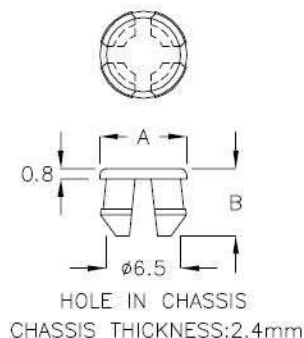
| PART NO  | A    | B   | PACKAGE |
|----------|------|-----|---------|
| MXT-12GR | 20.3 | 1.5 | 1000    |



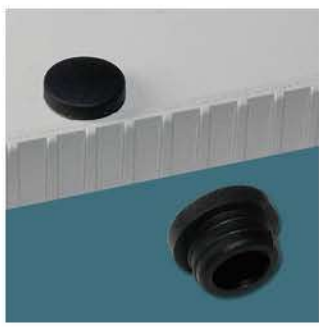
### 塞頭 HOLE PLUG

2-34-4

- MATERIAL: NYLON 66(UL)
- FLAME CLASS: 94V-2
- COLOR: BLACK



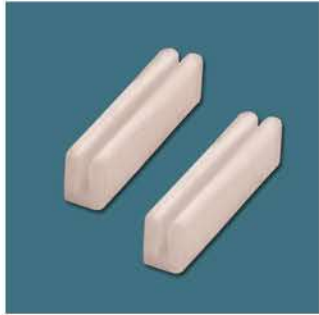
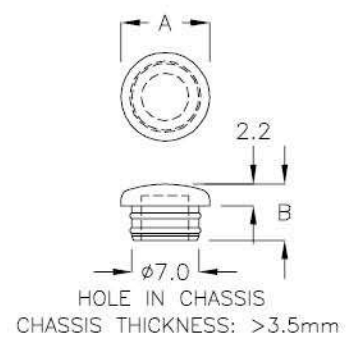
| PART NO | A          | B   | PACKAGE |
|---------|------------|-----|---------|
| MBF-6A  | $\phi 7.0$ | 5.4 | 2000    |



**ANT3 RFID 塞頭 ANT3 RFID HOLE PLUG — 2-35-1 |**

- MATERIAL: TPE
- COLOR: BLACK

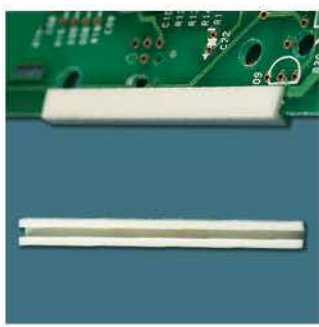
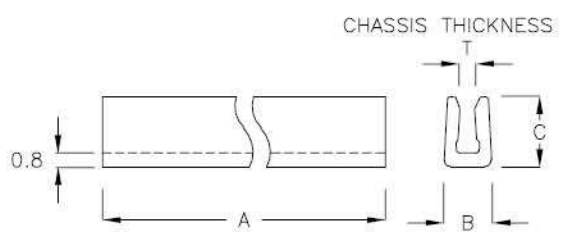
| PART NO | A    | B   | PACKAGE |
|---------|------|-----|---------|
| MPL-9A  | ø9.0 | 5.7 | 2000    |



**護板套 EDGING — 2-35-2 |**

- MATERIAL: NYLON 66(UL)
- FLAME CLASS: 94V-2
- COLOR: NATURAL

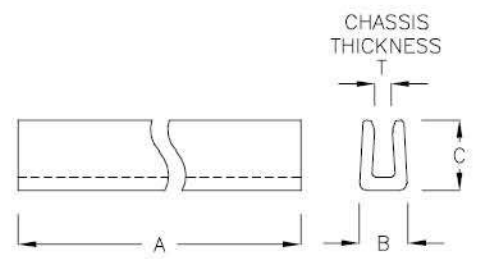
| PART NO  | A    | B   | C   | T   | PACKAGE |
|----------|------|-----|-----|-----|---------|
| VTU-14   | 14.0 | 2.4 | 3.2 | 0.8 | 1000    |
| VTU-20DM | 20.0 | 2.8 | 5.5 | 1.0 |         |

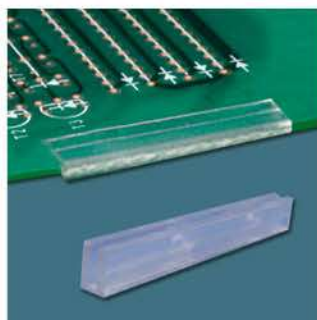


**護板套 EDGING — 2-35-3 |**

- MATERIAL: NYLON 66(UL)
- FLAME CLASS: 94V-2
- COLOR: NATURAL

| PART NO | A    | B   | C   | T CHASSIS THICKNESS | PACKAGE |
|---------|------|-----|-----|---------------------|---------|
| VTU-20A | 20.0 | 4.8 | 5.0 | 2.5                 | 1000    |
| VTU-30C | 30.0 | 4.4 | 5.0 | 1.6                 |         |
| VTU-47  | 47.0 | 4.4 | 5.0 | 1.6                 |         |

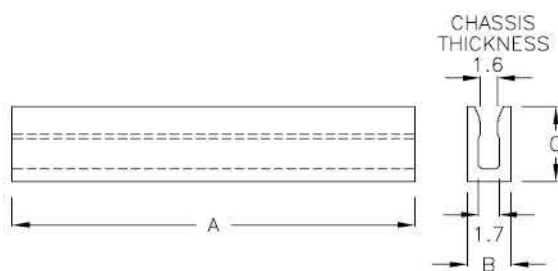




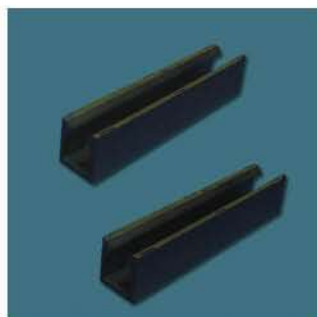
### 護板套 EDGING

2-36-1

- MATERIAL: PC(UL)
- FLAME CLASS: 94V-2
- COLOR: CLEAR



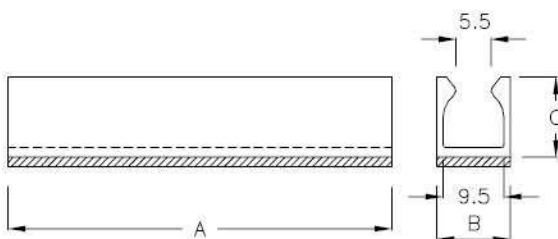
| PART NO | A     | B   | C   | PACKAGE |
|---------|-------|-----|-----|---------|
| UTU-30  | 30.0  | 3.6 | 6.0 | 1000    |
| UTU-60  | 60.0  | 3.6 | 6.0 | 500     |
| UTU-60A | 59.0  | 5.5 | 8.0 |         |
| UTU120  | 120.0 | 5.5 | 8.0 | 100     |



### 護線套 EDGING

2-36-2

- MATERIAL: NYLON 66(UL)
- FLAME CLASS: 94V-2
- COLOR: BLACK
- ADHESIVE TAPE: 3M



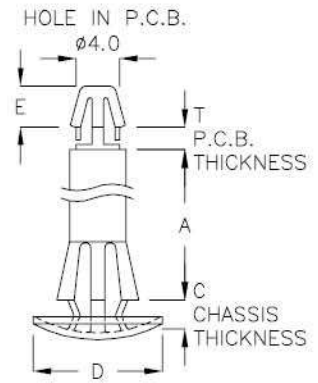
| PART NO | A    | B    | C    | PACKAGE |
|---------|------|------|------|---------|
| UTU-60C | 60.0 | 11.5 | 12.5 | 100     |



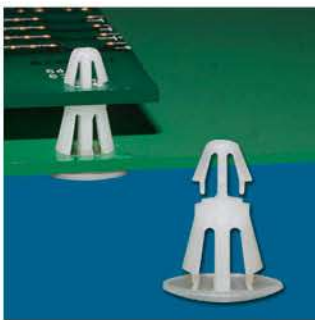


**P.C. 板間隔柱 SPACER SUPPORT ———— | 3-21-1 |**

- MATERIAL: NYLON 66(UL)
- FLAME CLASS: 94V-2
- COLOR: NATURAL
- HOLE IN CHASSIS:  $\phi 5.6$

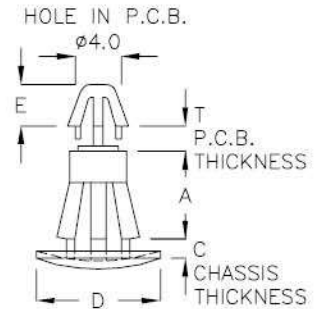


| PART NO | A    | D           | E   | C<br>CHASSIS<br>THICKNESS | T<br>P.C.B.<br>THICKNESS | PACKAGE |
|---------|------|-------------|-----|---------------------------|--------------------------|---------|
| SCC-34  | 34.0 | $\phi 11.4$ | 3.6 | 1.6~1.8                   | 1.4~1.6                  | 500     |

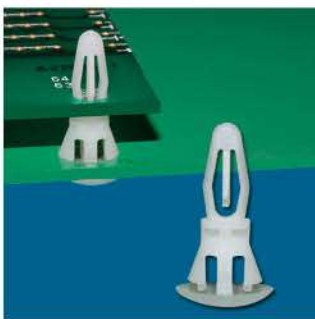


**P.C. 板間隔柱 SPACER SUPPORT ———— | 3-21-2 |**

- MATERIAL: NYLON 66(UL)
- FLAME CLASS: 94V-2
- COLOR: NATURAL
- HOLE IN CHASSIS:  $\phi 6.0$

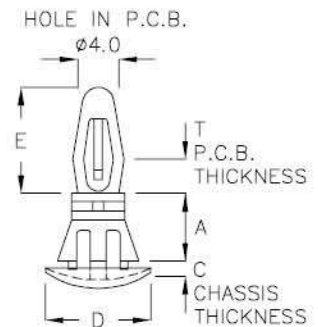


| PART NO  | A    | D           | E   | C<br>CHASSIS<br>THICKNESS | T<br>P.C.B.<br>THICKNESS | PACKAGE |
|----------|------|-------------|-----|---------------------------|--------------------------|---------|
| SCF-5    | 5.3  | $\phi 11.5$ | 4.0 | 0.8~1.6                   | 1.2~1.7                  | 1000    |
| SCF-06   | 6.35 | $\phi 11.6$ | 4.1 | 0.8~1.6                   | 1.2~1.7                  |         |
| SCF-8    | 8.2  | $\phi 11.6$ | 4.0 | 0.8~1.6                   | 1.2~1.7                  | 500     |
| SCF-10   | 10.0 | $\phi 11.6$ | 4.1 | 0.8~1.6                   | 1.2~1.7                  |         |
| SCF-12   | 12.7 | $\phi 11.6$ | 4.0 | 0.8~1.6                   | 1.2~1.7                  |         |
| SCF-15AP | 15.9 | $\phi 11.0$ | 3.0 | 0.8~2.0                   | 1.2~1.7                  |         |
| SCF-21J  | 21.6 | $\phi 11.5$ | 4.0 | 0.6~0.8                   | 1.2~1.6                  |         |



**P.C. 板間隔柱 SPACER SUPPORT ———— | 3-21-3 |**

- MATERIAL: NYLON 66(UL)
- FLAME CLASS: 94V-2
- COLOR: NATURAL
- HOLE IN CHASSIS:  $\phi 6.0$

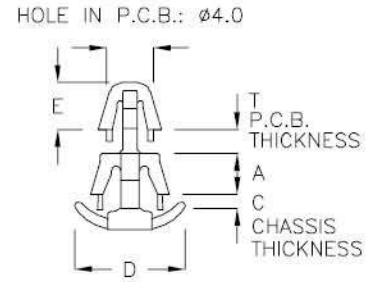


| PART NO | A   | D           | E    | C<br>CHASSIS<br>THICKNESS | T<br>P.C.B.<br>THICKNESS | PACKAGE |
|---------|-----|-------------|------|---------------------------|--------------------------|---------|
| SCD-6A  | 6.4 | $\phi 10.0$ | 10.0 | 0.8~1.2                   | 1.2~1.7                  | 1000    |

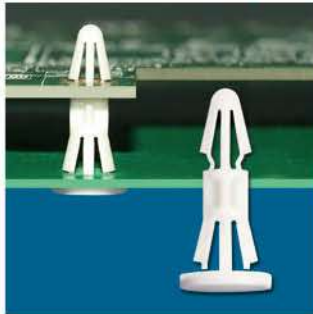


**P.C. 板間隔柱 SPACER SUPPORT 3-22-1**

- MATERIAL: NYLON 66(UL)
- FLAME CLASS: 94V-2
- COLOR: NATURAL
- HOLE IN CHASSIS:  $\phi 5.5$

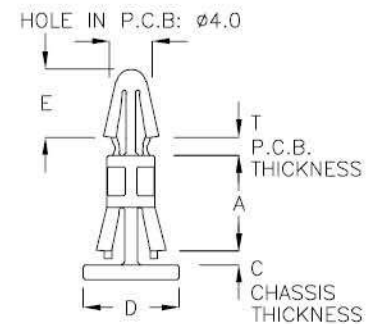


| PART NO | A   | T<br>P.C.B.<br>THICKNESS | C<br>CHASSIS<br>THICKNESS | D          | E   | PACKAGE |
|---------|-----|--------------------------|---------------------------|------------|-----|---------|
| SCP-3A  | 3.5 | 1.4~1.6                  | 0.5~0.8                   | $\phi 9.5$ | 4.0 | 2000    |



**P.C. 板間隔柱 SPACER SUPPORT 3-22-2**

- MATERIAL: NYLON 66(UL)
- FLAME CLASS: 94V-2
- COLOR: NATURAL
- HOLE IN CHASSIS:  $\phi 5.5$

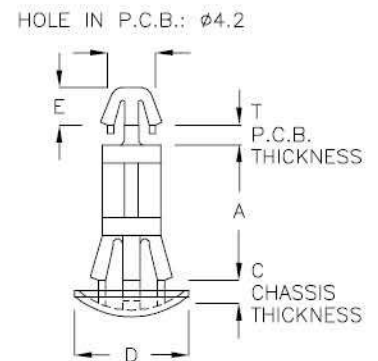


| PART NO | A    | T<br>P.C.B.<br>THICKNESS | C<br>CHASSIS<br>THICKNESS | D           | E   | PACKAGE |
|---------|------|--------------------------|---------------------------|-------------|-----|---------|
| SDA-10  | 10.0 | 1.2~1.6                  | 0.8~1.2                   | $\phi 10.0$ | 7.1 | 1000    |



**P.C. 板間隔柱 SPACER SUPPORT 3-22-3**

- MATERIAL: NYLON 66(UL)
- FLAME CLASS: 94V-2
- COLOR: NATURAL
- HOLE IN CHASSIS:  $\phi 5.5$



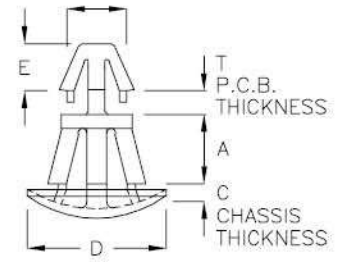
| PART NO | A    | T<br>P.C.B.<br>THICKNESS | C<br>CHASSIS<br>THICKNESS | D           | E   | PACKAGE |
|---------|------|--------------------------|---------------------------|-------------|-----|---------|
| SCM-19  | 19.0 | 1.0                      | 0.6~0.8                   | $\phi 10.0$ | 3.3 | 500     |
| SCM-25  | 25.0 | 1.6                      | 0.6~0.8                   | $\phi 10.0$ | 2.7 |         |



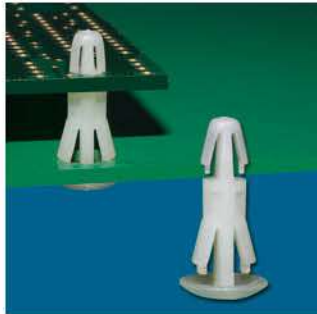
**P.C. 板間隔柱 SPACER SUPPORT 3-23-1**

- MATERIAL: NYLON 66(UL)
- FLAME CLASS: 94V-2
- COLOR: NATURAL
- HOLE IN CHASSIS:  $\phi 5.5$

HOLE IN P.C.B.:  $\phi 4.2$



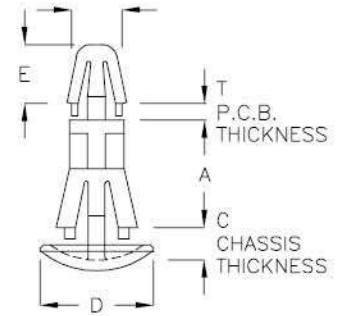
| PART NO | A   | T<br>P.C.B.<br>THICKNESS | C<br>CHASSIS<br>THICKNESS | D           | E   | PACKAGE |
|---------|-----|--------------------------|---------------------------|-------------|-----|---------|
| SCM-05  | 5.0 | 1.6                      | 0.6                       | $\phi 10.0$ | 3.3 | 1000    |



**P.C. 板間隔柱 SPACER SUPPORT 3-23-2**

- MATERIAL: NYLON 66(UL)
- FLAME CLASS: 94V-2
- COLOR: NATURAL
- HOLE IN CHASSIS:  $\phi 5.5$

HOLE IN P.C.B.:  $\phi 4.3$



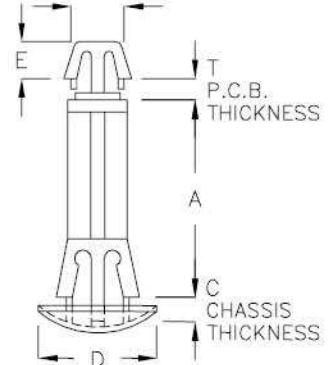
| PART NO | A   | T<br>P.C.B.<br>THICKNESS | C<br>CHASSIS<br>THICKNESS | D          | E   | PACKAGE |
|---------|-----|--------------------------|---------------------------|------------|-----|---------|
| SCL-9   | 9.0 | 1.1                      | 1.5~1.8                   | $\phi 9.5$ | 5.1 | 500     |



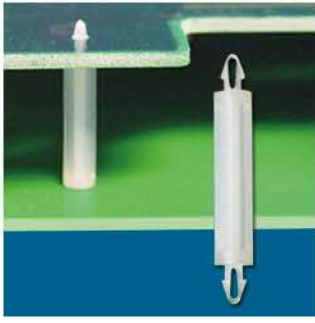
**P.C. 板間隔柱 SPACER SUPPORT 3-23-3**

- MATERIAL: NYLON 66(UL)
- FLAME CLASS: 94V-2
- COLOR: NATURAL
- HOLE IN CHASSIS:  $\phi 5.5$

HOLE IN P.C.B.:  $\phi 4.5$



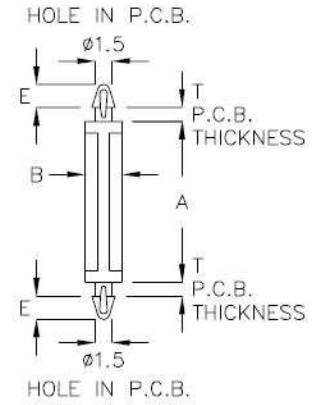
| PART NO | A    | T<br>P.C.B.<br>THICKNESS | C<br>CHASSIS<br>THICKNESS | D           | E   | PACKAGE |
|---------|------|--------------------------|---------------------------|-------------|-----|---------|
| SCA-19  | 19.0 | 1.6                      | 0.8                       | $\phi 10.0$ | 3.1 | 1000    |



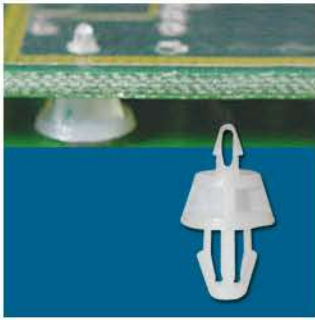
### P.C. 板間隔柱 SPACER SUPPORT

3-24-1

- MATERIAL: NYLON 66(UL)
- FLAME CLASS: 94V-2
- COLOR: NATURAL



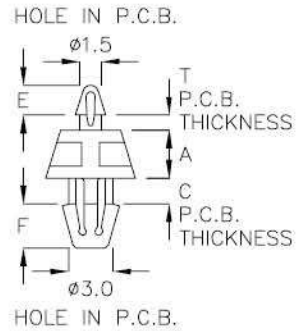
| PART NO | A    | B    | E   | T<br>P.C.B.<br>THICKNESS | PACKAGE |
|---------|------|------|-----|--------------------------|---------|
| MCL-14  | 14.0 | ∅3.2 | 2.0 | 1.0                      | 2000    |



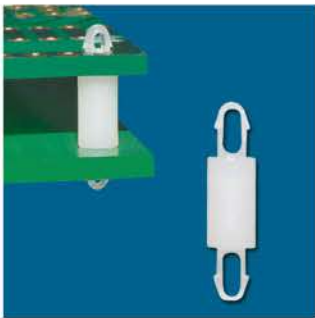
### P.C. 板間隔柱 SPACER SUPPORT

3-24-2

- MATERIAL: NYLON 66(UL)
- FLAME CLASS: 94V-2
- COLOR: NATURAL



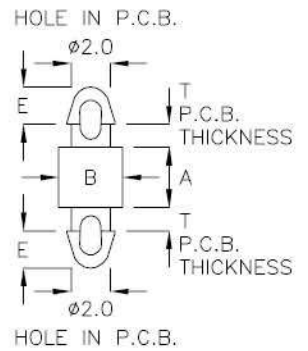
| PART NO | A   | E   | F    | C<br>P.C.B.<br>THICKNESS | T<br>P.C.B.<br>THICKNESS | PACKAGE |
|---------|-----|-----|------|--------------------------|--------------------------|---------|
| KHA-3A  | 3.2 | 2.0 | 2.95 | 1.6                      | 0.8                      | 2000    |



### P.C. 板間隔柱 SPACER SUPPORT

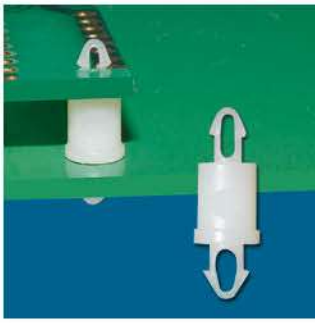
3-24-3

- MATERIAL: NYLON 66(UL)
- FLAME CLASS: 94V-2
- COLOR: NATURAL



| PART NO | A   | B    | E    | T<br>P.C.B.<br>THICKNESS | PACKAGE |
|---------|-----|------|------|--------------------------|---------|
| MCS-2A  | 2.2 | ∅3.2 | 1.85 | 1.0                      | 2000    |
| MCS-2F  | 2.2 | ∅3.2 | 1.85 | 1.6                      |         |
| MCS-03  | 3.0 | ∅3.2 | 1.95 | 1.0                      |         |
| MCS-3DF | 3.5 | ∅3.2 | 1.85 | 1.0                      |         |
| MCS-04  | 4.0 | ∅3.2 | 1.85 | 1.0                      |         |
| MCS-4GW | 4.1 | ∅3.2 | 1.9  | 0.9                      |         |
| MCS-4A  | 4.5 | ∅3.2 | 1.85 | 1.0                      |         |
| MCS-4C  | 4.0 | ∅3.2 | 1.85 | 1.6                      |         |
| MCS-4F  | 4.5 | ∅3.2 | 1.85 | 1.6                      |         |
| MCS-05  | 5.0 | ∅3.2 | 1.85 | 1.0                      |         |
| MCS-5A  | 5.5 | ∅3.2 | 1.85 | 1.0                      |         |

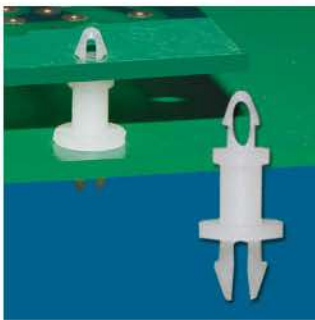
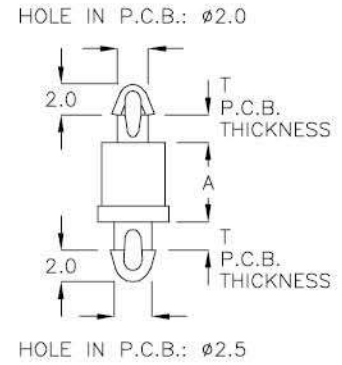
| PART NO | A    | B    | E    | T<br>P.C.B.<br>THICKNESS | PACKAGE |
|---------|------|------|------|--------------------------|---------|
| MCS-5C  | 5.0  | ∅3.2 | 1.85 | 1.6                      | 2000    |
| MCS-5F  | 5.5  | ∅3.2 | 1.85 | 1.6                      |         |
| MCS-06  | 6.0  | ∅3.2 | 1.85 | 1.0                      |         |
| MCS-6A  | 6.5  | ∅3.2 | 1.85 | 1.0                      |         |
| MCS-6C  | 6.0  | ∅3.2 | 1.85 | 1.6                      |         |
| MCS-6F  | 6.5  | ∅3.2 | 1.85 | 1.6                      |         |
| MCS-08  | 8.0  | ∅3.2 | 1.85 | 1.0                      |         |
| MCS-8C  | 8.0  | ∅3.2 | 1.85 | 1.6                      |         |
| MCS-10A | 10.5 | ∅3.2 | 2.1  | 1.6                      |         |
| MCS-18  | 18.2 | ∅3.0 | 1.5  | 1.0                      |         |
| MCS-22  | 22.0 | ∅3.2 | 2.0  | 1.6                      |         |



**P.C. 板間隔柱 SPACER SUPPORT 3-25-1**

- MATERIAL: NYLON 66(UL)
- FLAME CLASS: 94V-2
- COLOR: NATURAL

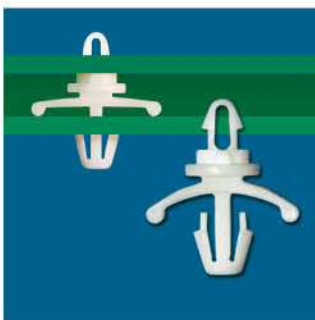
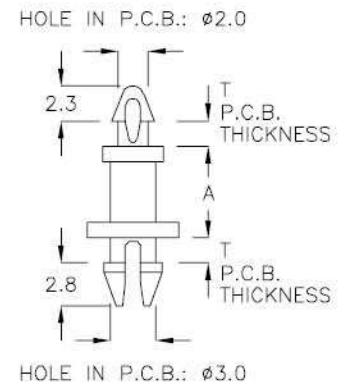
| PART NO | A   | T<br>P.C.B.<br>THICKNESS | PACKAGE |
|---------|-----|--------------------------|---------|
| MEA-2M  | 2.5 | 1.6                      | 2000    |
| MEA-4M  | 4.5 | 1.6                      |         |
| MEA-05  | 5.0 | 1.6                      |         |
| MEA-5M  | 5.5 | 1.6                      |         |
| MEA-6M  | 6.5 | 1.6                      |         |



**P.C. 板間隔柱 SPACER SUPPORT 3-25-2**

- MATERIAL: NYLON 66(UL)
- FLAME CLASS: 94V-2
- COLOR: NATURAL

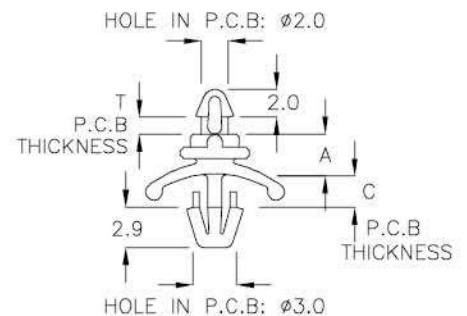
| PART NO | A   | T<br>P.C.B.<br>THICKNESS | PACKAGE |
|---------|-----|--------------------------|---------|
| MCJ-6   | 6.0 | 1.6                      | 2000    |

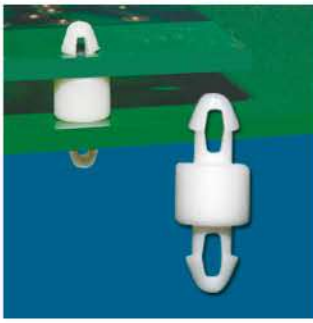


**P.C. 板間隔柱 SPACER SUPPORT 3-25-3**

- MATERIAL: NYLON 66(UL)
- FLAME CLASS: 94V-2
- COLOR: NATURAL

| PART NO | A   | T<br>P.C.B.<br>THICKNESS | C<br>P.C.B.<br>THICKNESS | PACKAGE |
|---------|-----|--------------------------|--------------------------|---------|
| LBK-04  | 3.0 | 0.8~1.0                  | 0.8~1.6                  | 2000    |

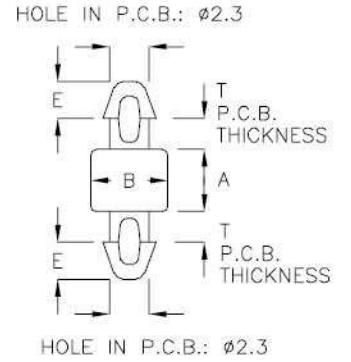




P.C. 板間隔柱 SPACER SUPPORT 3-26-1

- MATERIAL: NYLON 66(UL)
- FLAME CLASS: 94V-2
- COLOR: NATURAL

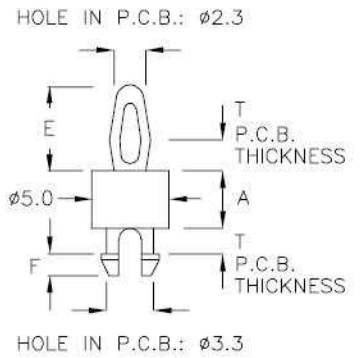
| PART NO | A   | B    | T<br>P.C.B.<br>THICKNESS | E   | PACKAGE |
|---------|-----|------|--------------------------|-----|---------|
| MCK-3A  | 3.5 | ø4.4 | 1.7                      | 2.2 | 2000    |



P.C. 板間隔柱 SPACER SUPPORT 3-26-2

- MATERIAL: NYLON 66(UL)
- FLAME CLASS: 94V-2
- COLOR: NATURAL

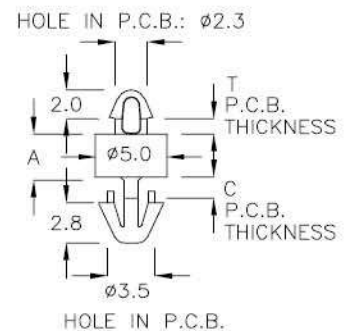
| PART NO | A   | T<br>P.C.B.<br>THICKNESS | E   | F   | PACKAGE |
|---------|-----|--------------------------|-----|-----|---------|
| MCA-4   | 3.8 | 0.8~1.6                  | 5.8 | 1.5 | 2000    |
| MCA-06  | 6.0 | 0.8~1.6                  | 5.8 | 1.4 |         |

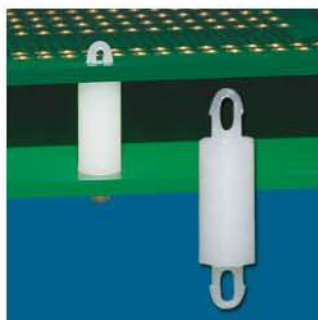


P.C. 板間隔柱 SPACER SUPPORT 3-26-3

- MATERIAL: NYLON 66(UL)
- FLAME CLASS: 94V-2
- COLOR: NATURAL

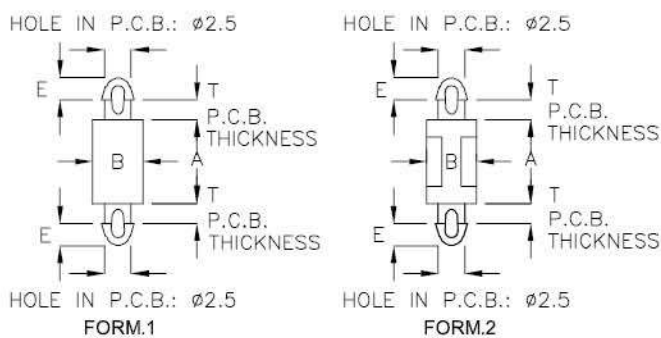
| PART NO | A   | T<br>P.C.B.<br>THICKNESS | C<br>P.C.B.<br>THICKNESS | PACKAGE |
|---------|-----|--------------------------|--------------------------|---------|
| MEG-03  | 3.0 | 0.9                      | 1.6                      | 2000    |
| MEG-06  | 6.0 | 1.6                      | 2.3                      |         |





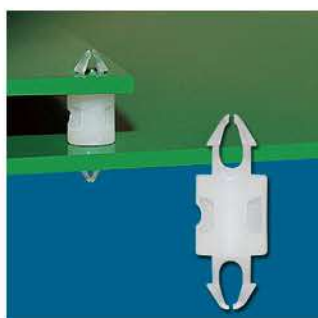
### P.C. 板間隔柱 SPACER SUPPORT 3-27-1

- MATERIAL: NYLON 66(UL)
- FLAME CLASS: 94V-2
- COLOR: NATURAL



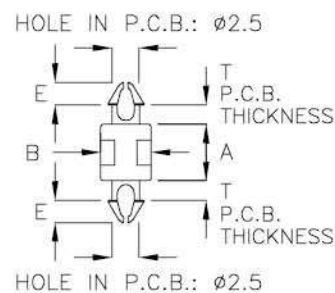
| PART NO | A   | B          | E   | T       | FORM | PACKAGE |
|---------|-----|------------|-----|---------|------|---------|
| MCD2-2  | 2.0 | $\phi 4.5$ | 2.2 | 1.2~1.6 | 1    | 2000    |
| MCD2-2M | 2.5 | $\phi 4.5$ | 2.0 | 1.2~1.6 | 1    |         |
| MCD2-3  | 3.0 | $\phi 4.5$ | 2.2 | 1.2~1.6 | 1    |         |
| MCD2-3A | 3.2 | $\phi 4.3$ | 2.2 | 1.2~1.6 | 1    |         |
| MCD2-3M | 3.5 | $\phi 4.5$ | 2.0 | 1.2~1.6 | 1    |         |
| MCD2-4  | 4.0 | $\phi 4.5$ | 2.2 | 1.2~1.6 | 1    |         |
| MCD2-4M | 4.5 | $\phi 4.5$ | 2.1 | 1.2~1.6 | 1    |         |
| MCD2-5  | 5.0 | $\phi 4.5$ | 2.2 | 1.2~1.6 | 1    |         |
| MCD2-5M | 5.5 | $\phi 4.5$ | 2.0 | 1.2~1.6 | 1    |         |

| PART NO | A    | B          | E   | T       | FORM | PACKAGE |
|---------|------|------------|-----|---------|------|---------|
| MCD2-6  | 6.0  | $\phi 4.6$ | 2.2 | 1.2~1.6 | 1    | 2000    |
| MCD2-6M | 6.5  | $\phi 4.5$ | 2.0 | 1.2~1.6 | 1    |         |
| MCD2-7  | 7.0  | $\phi 4.5$ | 2.4 | 1.2~1.6 | 1    |         |
| MCD2-7A | 7.5  | $\phi 4.5$ | 2.2 | 1.6~1.8 | 2    |         |
| MCD2-8  | 8.0  | $\phi 4.5$ | 2.2 | 1.2~1.6 | 1    |         |
| MCD2-9M | 9.5  | $\phi 4.5$ | 2.0 | 1.2~1.6 | 1    | 1000    |
| MCD2-10 | 10.0 | $\phi 4.5$ | 2.2 | 1.2~1.6 | 1    |         |
| MCD2-12 | 12.0 | $\phi 4.5$ | 2.2 | 1.2~1.6 | 1    |         |
| MCD2-20 | 20.0 | $\phi 4.5$ | 2.0 | 1.2~1.6 | 2    |         |

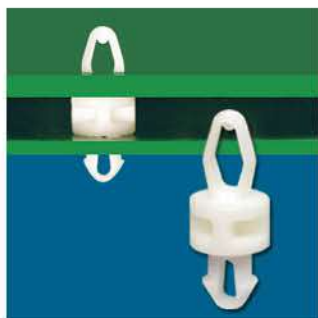


### P.C. 板間隔柱 SPACER SUPPORT 3-27-2

- MATERIAL: NYLON 66(UL)
- FLAME CLASS: 94V-2
- COLOR: NATURAL

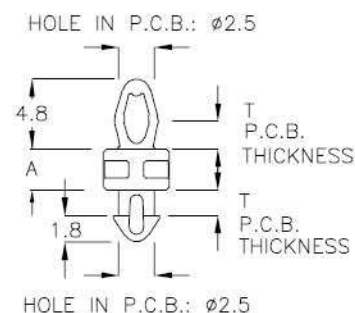


| PART NO | A   | B          | E   | T<br>P.C.B.<br>THICKNESS | PACKAGE |
|---------|-----|------------|-----|--------------------------|---------|
| UCX-5K  | 5.0 | $\phi 4.5$ | 2.0 | 1.2~1.6                  | 2000    |

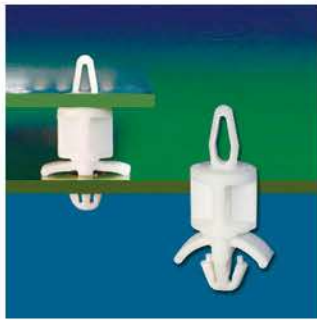


### P.C. 板間隔柱 SPACER SUPPORT 3-27-3

- MATERIAL: NYLON 66(UL)
- FLAME CLASS: 94V-2
- COLOR: NATURAL

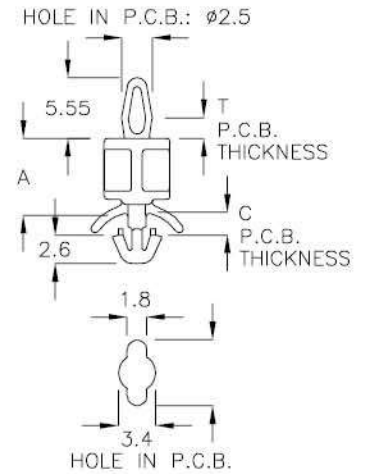


| PART NO | A   | T<br>P.C.B.<br>THICKNESS | PACKAGE |
|---------|-----|--------------------------|---------|
| MQD-2DK | 2.8 | 1.4~1.6                  | 2000    |

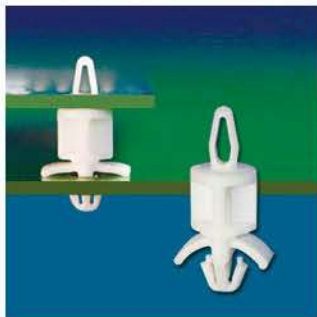


**P.C. 板間隔柱 SPACER SUPPORT** ———— **3-28-1**

- MATERIAL: NYLON 66(UL)
- FLAME CLASS: 94V-2
- COLOR: NATURAL

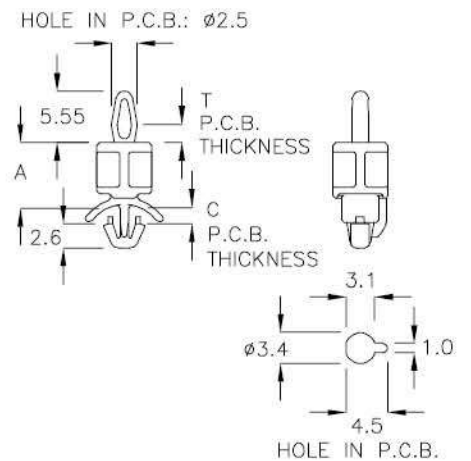


| PART NO | A   | T<br>P.C.B.<br>THICKNESS | C<br>P.C.B.<br>THICKNESS | PACKAGE |
|---------|-----|--------------------------|--------------------------|---------|
| LCY-7MR | 7.0 | 1.6                      | 1.0~1.6                  | 1000    |

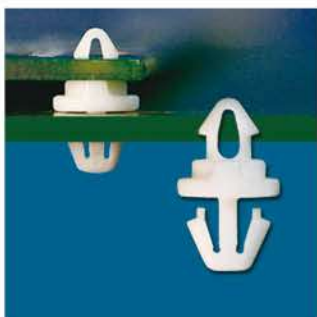


**P.C. 板間隔柱 SPACER SUPPORT** ———— **3-28-2**

- MATERIAL: NYLON 66(UL)
- FLAME CLASS: 94V-2
- COLOR: NATURAL

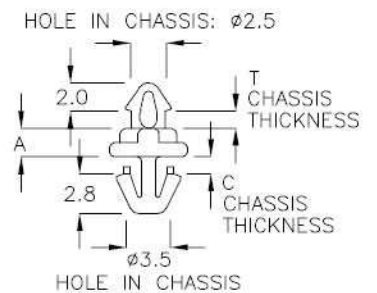


| PART NO | A   | T<br>P.C.B.<br>THICKNESS | C<br>P.C.B.<br>THICKNESS | PACKAGE |
|---------|-----|--------------------------|--------------------------|---------|
| LCY-7SA | 7.0 | 1.6                      | 1.0~1.6                  | 1000    |



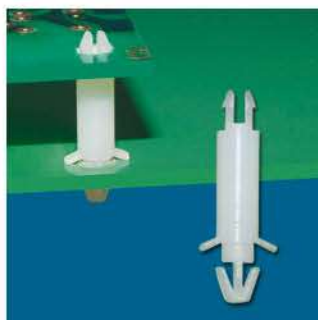
**P.C. 板間隔柱 SPACER SUPPORT** ———— **3-28-3**

- MATERIAL: NYLON 66(UL)
- FLAME CLASS: 94V-2
- COLOR: NATURAL



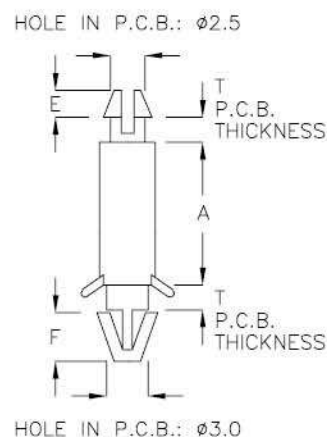
| PART NO | A   | T<br>CHASSIS<br>THICKNESS | C<br>CHASSIS<br>THICKNESS | PACKAGE |
|---------|-----|---------------------------|---------------------------|---------|
| MEH-02  | 2.0 | 1.0                       | 1.0                       | 2000    |



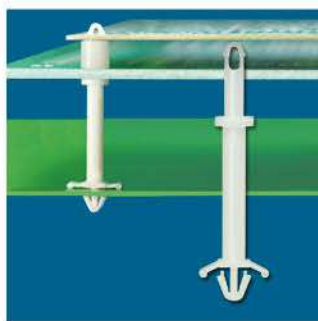


### P.C. 板間隔柱 SPACER SUPPORT 3-29-1

- MATERIAL: NYLON 66(UL)
- FLAME CLASS: 94V-2
- COLOR: NATURAL

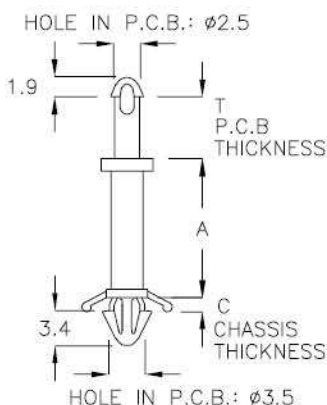


| PART NO | A    | T<br>P.C.B.<br>THICKNESS | E   | F   | PACKAGE |
|---------|------|--------------------------|-----|-----|---------|
| LCA2-5  | 5.0  | 1.0~1.7                  | 1.7 | 3.3 | 2000    |
| LCA2-8  | 7.7  | 1.0~1.7                  | 1.7 | 3.3 |         |
| LCA2-9  | 9.0  | 1.0~1.7                  | 1.7 | 3.3 |         |
| LCA2-10 | 9.9  | 1.0~1.7                  | 1.7 | 3.3 |         |
| LCA2-12 | 11.6 | 1.0~1.7                  | 1.7 | 3.3 |         |
| LCA2-14 | 13.6 | 1.0~1.7                  | 1.6 | 3.3 |         |
| LCA2-16 | 15.7 | 1.0~1.7                  | 1.7 | 3.3 |         |



### P.C. 板間隔柱 SPACER SUPPORT 3-29-2

- MATERIAL: NYLON 66(UL)
- FLAME CLASS: 94V-2
- COLOR: NATURAL

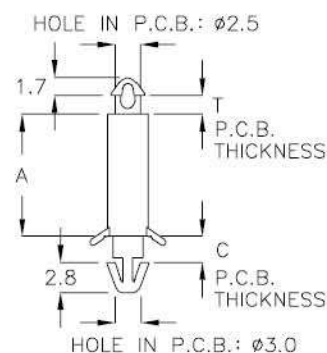


| PART NO | A    | T<br>P.C.B.<br>THICKNESS | C<br>CHASSIS<br>THICKNESS | PACKAGE |
|---------|------|--------------------------|---------------------------|---------|
| LCJ-19  | 19.0 | 7.4                      | 0.3~0.6                   | 500     |

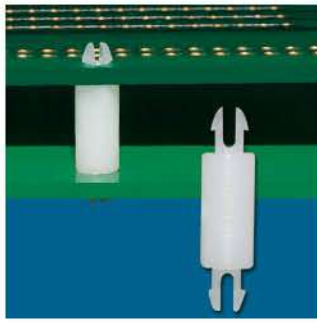


### P.C. 板間隔柱 SPACER SUPPORT 3-29-3

- MATERIAL: NYLON 66(UL)
- FLAME CLASS: 94V-2
- COLOR: NATURAL



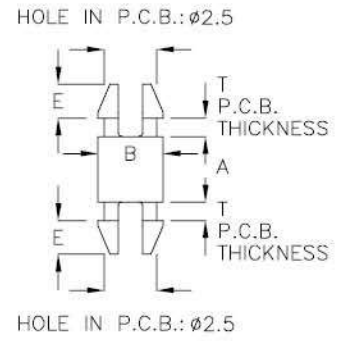
| PART NO | A    | T<br>P.C.B.<br>THICKNESS | C<br>P.C.B.<br>THICKNESS | PACKAGE |
|---------|------|--------------------------|--------------------------|---------|
| LCR-11A | 11.6 | 1.6                      | 2.0                      | 1000    |



**P.C. 板間隔柱 SPACER SUPPORT 3-30-1**

- MATERIAL: NYLON 66(UL)
- FLAME CLASS: 94V-2
- COLOR: NATURAL

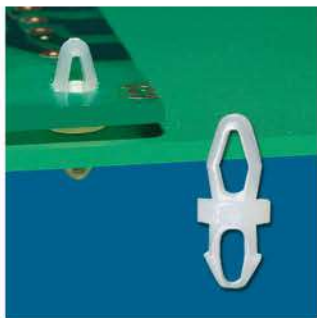
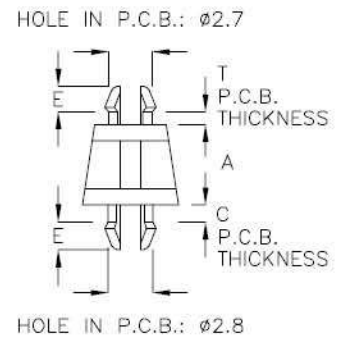
| PART NO | A   | B    | T<br>P.C.B.<br>THICKNESS | E   | PACKAGE |
|---------|-----|------|--------------------------|-----|---------|
| UCF-03  | 3.0 | ∅3.0 | 0.8                      | 1.5 | 2000    |
| UCF-9H  | 9.5 | ∅4.5 | 1.6                      | 1.8 | 1000    |



**P.C. 板間隔柱 SPACER SUPPORT 3-30-2**

- MATERIAL: NYLON 66(UL)
- FLAME CLASS: 94V-2
- COLOR: NATURAL

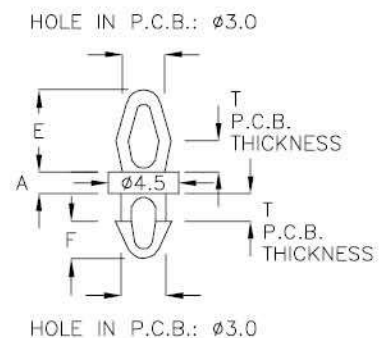
| PART NO | A   | T<br>P.C.B.<br>THICKNESS | C<br>P.C.B.<br>THICKNESS | E   | PACKAGE |
|---------|-----|--------------------------|--------------------------|-----|---------|
| UCC-05  | 5.0 | 0.8                      | 1.0                      | 1.6 | 2000    |

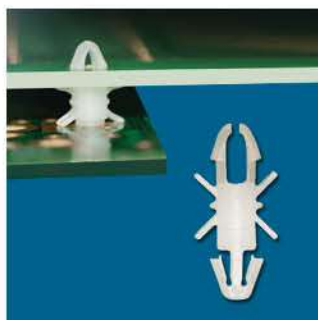


**P.C. 板間隔柱 SPACER SUPPORT 3-30-3**

- MATERIAL: NYLON 66(UL)
- FLAME CLASS: 94V-2
- COLOR: NATURAL

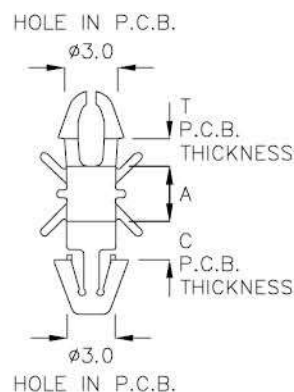
| PART NO | A   | T<br>P.C.B.<br>THICKNESS | E   | F   | PACKAGE |
|---------|-----|--------------------------|-----|-----|---------|
| MCM-2A  | 1.4 | 1.4~1.6                  | 5.4 | 2.4 | 2000    |
| MCM-02  | 2.0 | 1.4~1.6                  | 5.3 | 2.4 |         |



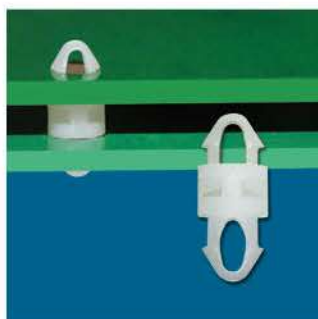


**P.C. 板間隔柱 SPACER SUPPORT 3-31-1**

- MATERIAL: NYLON 66(UL)
- FLAME CLASS: 94V-2
- COLOR: NATURAL

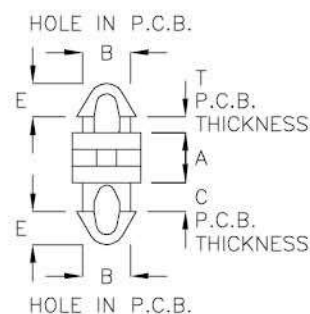


| PART NO | A    | C<br>P.C.B.<br>THICKNESS | T<br>P.C.B.<br>THICKNESS | PACKAGE |
|---------|------|--------------------------|--------------------------|---------|
| LCX-3A  | 3.25 | 1.4~1.6                  | 0.8~1.0                  | 2000    |

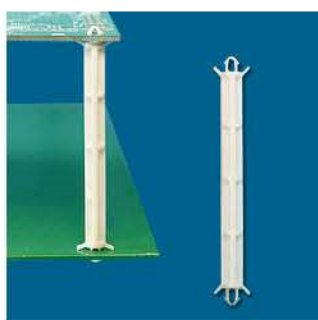


**P.C. 板間隔柱 SPACER SUPPORT 3-31-2**

- MATERIAL: NYLON 66(UL)
- FLAME CLASS: 94V-2
- COLOR: NATURAL

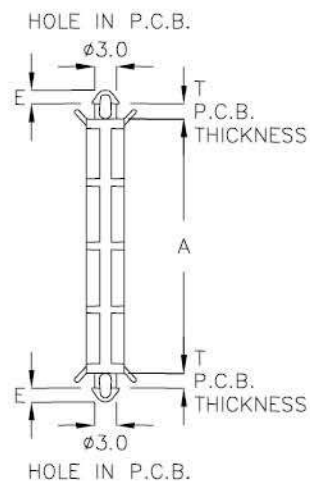


| PART NO | A    | E   | B<br>HOLE IN<br>P.C.B. | C<br>P.C.B.<br>THICKNESS | T<br>P.C.B.<br>THICKNESS | PACKAGE |
|---------|------|-----|------------------------|--------------------------|--------------------------|---------|
| MCL-03  | 3.0  | 2.1 | ø3.0                   | 1.6                      | 0.8                      | 2000    |
| MCL-18  | 18.0 | 2.2 | ø1.5                   | 1.0                      | 1.0                      |         |

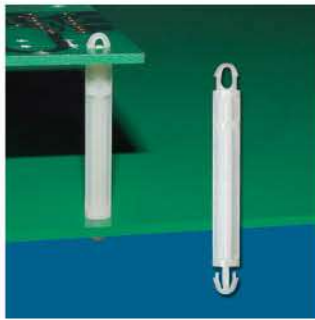


**P.C. 板間隔柱 SPACER SUPPORT 3-31-3**

- MATERIAL: NYLON 66(UL)
- FLAME CLASS: 94V-2
- COLOR: NATURAL



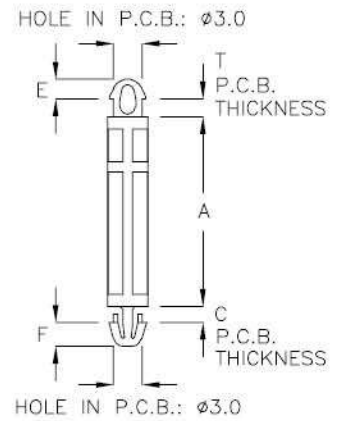
| PART NO | A    | E   | T<br>P.C.B.<br>THICKNESS | PACKAGE |
|---------|------|-----|--------------------------|---------|
| DMK-49J | 49.6 | 1.8 | 1.6                      | 500     |



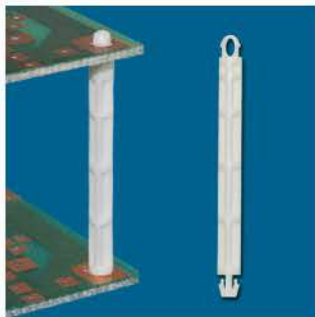
### P.C. 板間隔柱 SPACER SUPPORT

3-32-1

- MATERIAL: NYLON 66(UL)
- FLAME CLASS: 94V-2
- COLOR: NATURAL



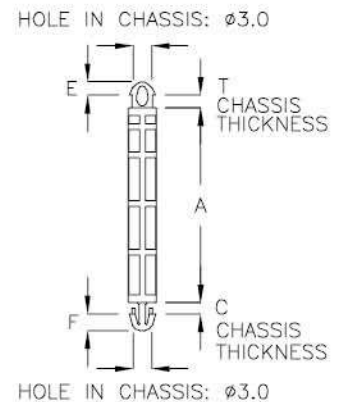
| PART NO | A    | T<br>P.C.B.<br>THICKNESS | C<br>P.C.B.<br>THICKNESS | E   | F   | PACKAGE |
|---------|------|--------------------------|--------------------------|-----|-----|---------|
| MCY-25  | 25.0 | 1.4 ~ 1.6                | 1.0 ~ 1.2                | 2.0 | 2.4 | 500     |
| MCY-26A | 26.8 | 1.4 ~ 1.6                | 1.0 ~ 1.2                | 2.0 | 2.4 |         |



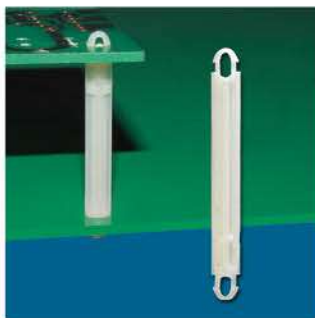
### P.C. 板間隔柱 SPACER SUPPORT

3-32-2

- MATERIAL: NYLON 66(UL)
- FLAME CLASS: 94V-2
- COLOR: NATURAL



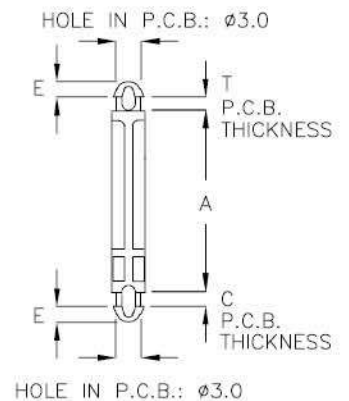
| PART NO | A    | T<br>P.C.B.<br>THICKNESS | C<br>P.C.B.<br>THICKNESS | E   | F   | PACKAGE |
|---------|------|--------------------------|--------------------------|-----|-----|---------|
| MCY-36P | 36.5 | 1.6                      | 1.2                      | 2.0 | 2.4 | 500     |



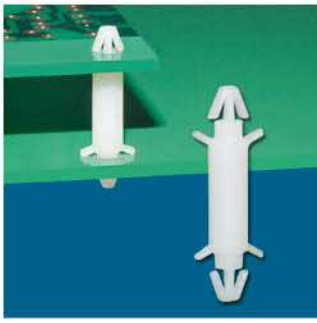
### P.C. 板間隔柱 SPACER SUPPORT

3-32-3

- MATERIAL: NYLON 66(UL)
- FLAME CLASS: 94V-2
- COLOR: NATURAL



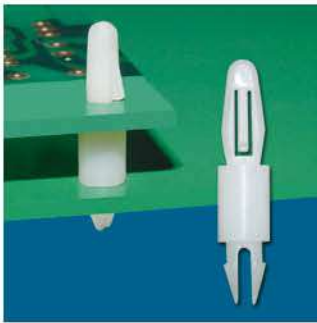
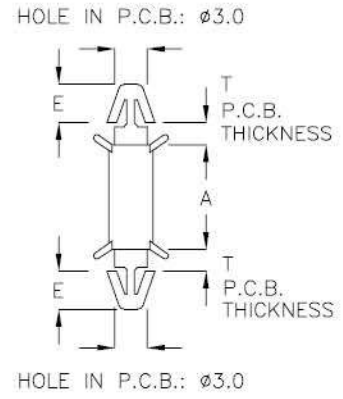
| PART NO | A    | T<br>P.C.B.<br>THICKNESS | C<br>P.C.B.<br>THICKNESS | E   | PACKAGE |
|---------|------|--------------------------|--------------------------|-----|---------|
| MCH-28A | 28.2 | 1.0 ~ 1.2                | 1.4 ~ 1.6                | 1.9 | 500     |



**P.C. 板間隔柱 SPACER SUPPORT 3-33-1**

- MATERIAL: NYLON 66(UL)
- FLAME CLASS: 94V-2
- COLOR: NATURAL

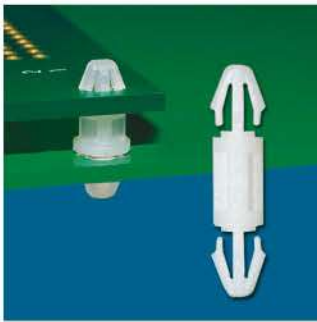
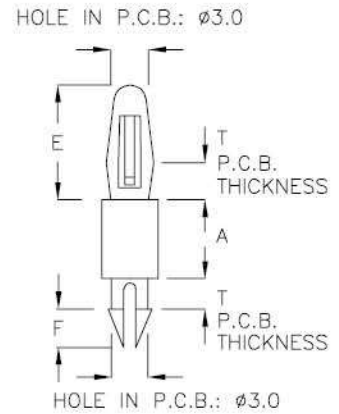
| PART NO | A    | T<br>P.C.B.<br>THICKNESS | E   | PACKAGE |
|---------|------|--------------------------|-----|---------|
| LCA3-3A | 3.1  | 1.0~1.7                  | 3.2 | 2000    |
| LCA3-3  | 3.2  | 1.0~1.7                  | 3.2 |         |
| LCA3-7  | 6.8  | 1.6~1.9                  | 3.2 |         |
| LCA3-11 | 11.5 | 1.0~1.6                  | 3.2 | 1000    |
| LCA3-15 | 15.2 | 1.0~1.6                  | 3.2 |         |
| LCA3-20 | 19.8 | 1.0~1.8                  | 3.2 |         |
| LCA3-25 | 25.0 | 1.6~1.7                  | 3.2 | 500     |



**P.C. 板間隔柱 SPACER SUPPORT 3-33-2**

- MATERIAL: NYLON 66(UL)
- FLAME CLASS: 94V-2
- COLOR: NATURAL

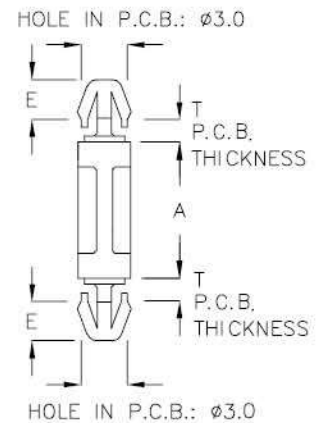
| PART NO | A    | T<br>P.C.B.<br>THICKNESS | E   | F   | PACKAGE |
|---------|------|--------------------------|-----|-----|---------|
| MCB3-6  | 6.35 | 1.2~1.7                  | 9.1 | 3.3 | 2000    |
| MCB3-12 | 12.7 | 1.2~1.7                  | 9.1 | 3.3 | 1000    |

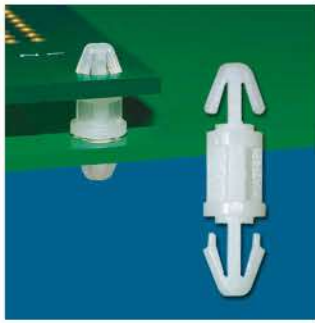


**P.C. 板間隔柱 SPACER SUPPORT 3-33-3**

- MATERIAL: NYLON 66(UL)
- FLAME CLASS: 94V-2
- COLOR: NATURAL

| PART NO | A    | T<br>P.C.B.<br>THICKNESS | E   | PACKAGE |
|---------|------|--------------------------|-----|---------|
| MCF-2A  | 2.5  | 1.2~1.8                  | 3.6 | 2000    |
| MCF-03  | 3.0  | 1.2~1.8                  | 3.7 |         |
| MCF-3M  | 3.5  | 1.2~1.8                  | 3.6 |         |
| MCF-04  | 4.0  | 1.2~1.8                  | 3.7 |         |
| MCF-4M  | 4.5  | 1.2~1.8                  | 3.6 |         |
| MCF-05  | 5.0  | 1.2~1.8                  | 3.7 |         |
| MCF-5M  | 5.5  | 1.2~1.8                  | 3.6 |         |
| MCF-6   | 6.35 | 1.2~1.8                  | 3.7 |         |
| MCF-07  | 7.0  | 1.2~1.8                  | 3.7 |         |
| MCF-8   | 8.0  | 1.2~1.8                  | 3.7 |         |
| MCF-09  | 9.0  | 1.2~2.0                  | 3.6 |         |
| MCF-10  | 9.7  | 1.2~1.8                  | 3.7 |         |
| MCF-12  | 12.7 | 1.2~1.8                  | 3.7 | 1000    |
| MCF-57  | 57.0 | 1.4~1.6                  | 3.5 | 500     |

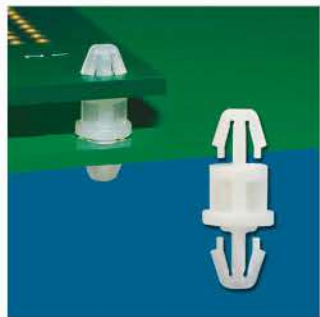
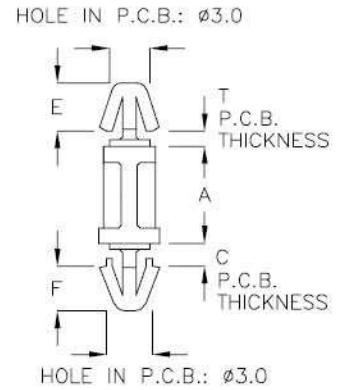




**P.C. 板間隔柱 SPACER SUPPORT ———— 3-34-1**

- MATERIAL: NYLON 66(UL)
- FLAME CLASS: 94V-2
- COLOR: NATURAL

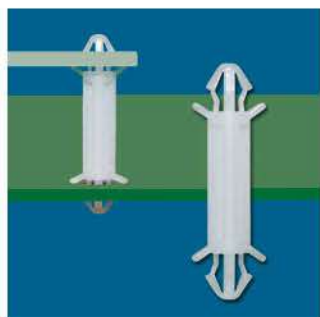
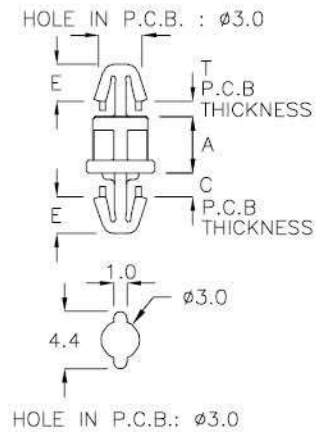
| PART NO | A   | T<br>P.C.B.<br>THICKNESS | C<br>P.C.B.<br>THICKNESS | E   | F   | PACKAGE |
|---------|-----|--------------------------|--------------------------|-----|-----|---------|
| MCF-6A  | 6.0 | 0.8~1.0                  | 1.2~1.7                  | 3.6 | 3.6 | 2000    |
| MCF-3RK | 3.1 | 1.0~1.35                 | 1.5~1.7                  | 3.5 | 2.5 |         |



**P.C. 板間隔柱 SPACER SUPPORT ———— 3-34-2**

- MATERIAL: NYLON 66(UL)
- FLAME CLASS: 94V-2
- COLOR: NATURAL

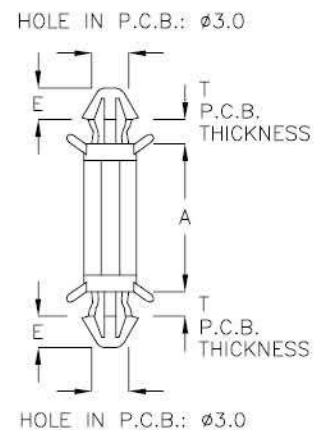
| PART NO | A   | T<br>P.C.B.<br>THICKNESS | C<br>P.C.B.<br>THICKNESS | E   | PACKAGE |
|---------|-----|--------------------------|--------------------------|-----|---------|
| MQY-4MA | 4.3 | 0.8~1.0                  | 1.4~1.6                  | 2.8 | 2000    |



**P.C. 板間隔柱 SPACER SUPPORT ———— 3-34-3**

- MATERIAL: NYLON 66(UL)
- FLAME CLASS: 94V-2
- COLOR: NATURAL

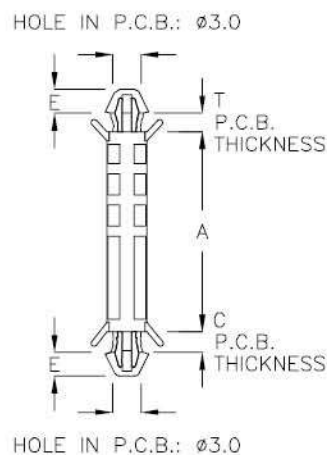
| PART NO  | A    | T<br>P.C.B.<br>THICKNESS | E   | PACKAGE |
|----------|------|--------------------------|-----|---------|
| LTA3-10M | 10.5 | 1.2~1.6                  | 2.5 | 1000    |
| LTA3-12  | 12.0 | 1.2~1.6                  | 2.5 |         |
| LTA3-13  | 13.0 | 1.2~1.6                  | 2.5 |         |
| LTA3-18M | 18.3 | 1.2~1.6                  | 2.5 |         |
| LTA3-36A | 36.8 | 0.8~1.8                  | 2.5 | 500     |
| LTA3-40  | 40.0 | 1.2~1.6                  | 2.5 |         |



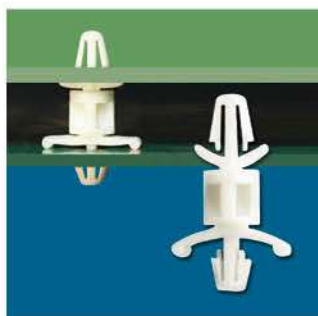


### P.C. 板間隔柱 SPACER SUPPORT ———— 3-35-1 |

- MATERIAL: NYLON 66(UL)
- FLAME CLASS: 94V-2
- COLOR: NATURAL

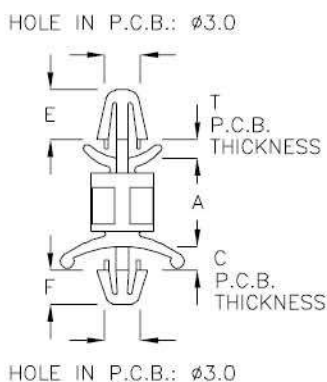


| PART NO  | A    | T<br>P.C.B.<br>THICKNESS | C<br>P.C.B.<br>THICKNESS | E   | PACKAGE |
|----------|------|--------------------------|--------------------------|-----|---------|
| LTA3-40A | 40.8 | 1.2~1.6                  | 1.4~1.6                  | 2.4 | 1000    |
| LTA3-41A | 41.5 | 1.2~1.6                  | 1.4~1.8                  | 2.4 |         |

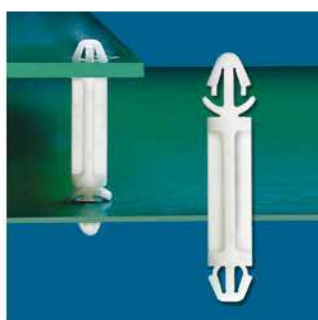


### P.C. 板間隔柱 SPACER SUPPORT ———— 3-35-2 |

- MATERIAL: NYLON 66(UL)
- FLAME CLASS: 94V-2
- COLOR: NATURAL

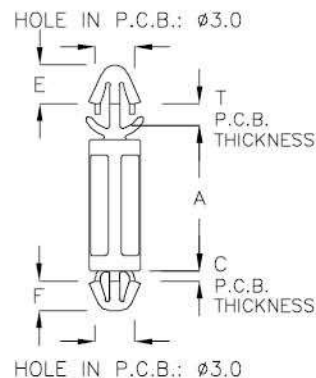


| PART NO | A    | T<br>P.C.B.<br>THICKNESS | C<br>P.C.B.<br>THICKNESS | E   | F   | PACKAGE |
|---------|------|--------------------------|--------------------------|-----|-----|---------|
| LBD-7A  | 7.65 | 0.8~1.0                  | 1.4~1.6                  | 4.0 | 2.7 | 1000    |

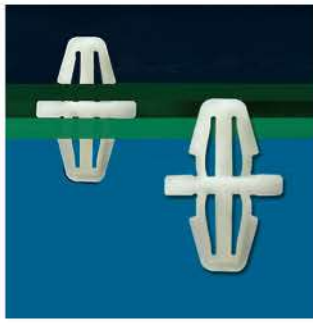


### P.C. 板間隔柱 SPACER SUPPORT ———— 3-35-3 |

- MATERIAL: NYLON 66(UL)
- FLAME CLASS: 94V-2
- COLOR: NATURAL

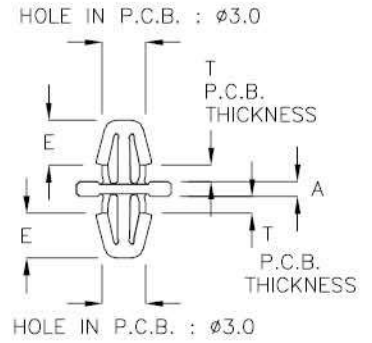


| PART NO  | A    | T<br>P.C.B.<br>THICKNESS | C<br>P.C.B.<br>THICKNESS | E    | F    | PACKAGE |
|----------|------|--------------------------|--------------------------|------|------|---------|
| MQF-14DC | 14.4 | 1.2~1.6                  | 0.6                      | 3.05 | 2.35 | 1000    |

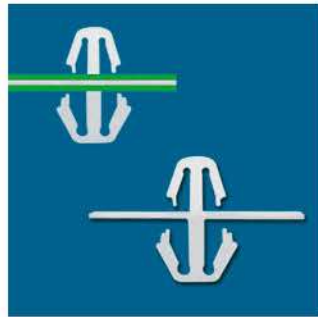


**P.C. 板間隔柱 SPACER SUPPORT 3-36-1**

- MATERIAL: NYLON 66(UL)
- FLAME CLASS: 94V-2
- COLOR: NATURAL

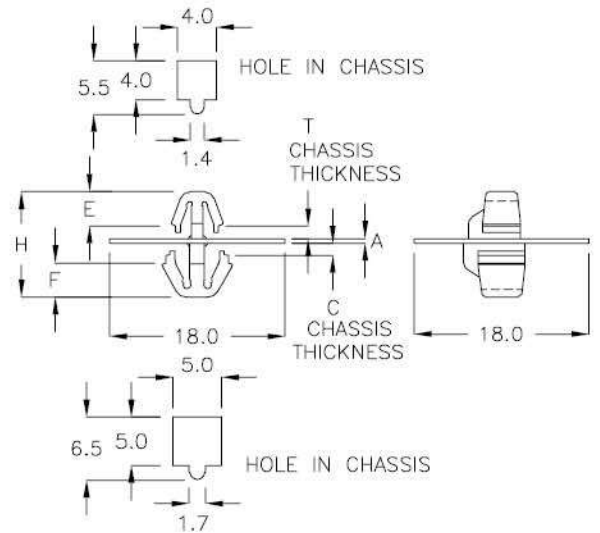


| PART NO | A   | T<br>CHASSIS<br>THICKNESS | E   | PACKAGE |
|---------|-----|---------------------------|-----|---------|
| MCQ-1AT | 1.0 | 1.0                       | 3.1 | 2000    |



**P.C. 板間隔柱 SPACER SUPPORT 3-36-2**

- MATERIAL: NYLON 66(UL)
- FLAME CLASS: 94V-2
- COLOR: NATURAL

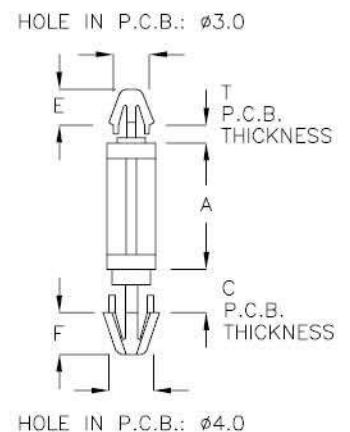


| PART NO | A   | T<br>CHASSIS<br>THICKNESS | C<br>CHASSIS<br>THICKNESS | E   | F   | H    | PACKAGE |
|---------|-----|---------------------------|---------------------------|-----|-----|------|---------|
| MCI-1GS | 0.5 | 1.0                       | 1.0~1.5                   | 3.5 | 3.5 | 10.8 | 1000    |
| MCI-1JR | 0.5 | 0.5                       | 1.0~1.5                   | 3.5 | 3.5 | 10.1 |         |



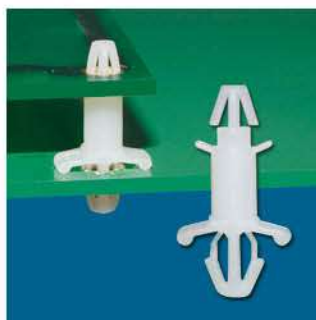
**P.C. 板間隔柱 SPACER SUPPORT 3-36-3**

- MATERIAL: NYLON 66(UL)
- FLAME CLASS: 94V-2
- COLOR: NATURAL



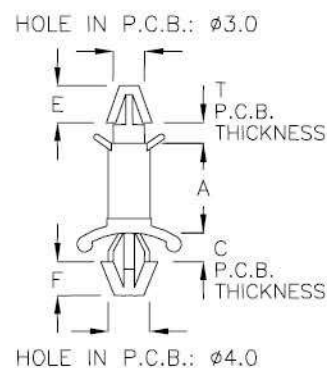
| PART NO | A    | T<br>P.C.B.<br>THICKNESS | C<br>P.C.B.<br>THICKNESS | E   | F   | PACKAGE |
|---------|------|--------------------------|--------------------------|-----|-----|---------|
| MCN-31  | 31.0 | 1.2~1.6                  | 3.6~4.0                  | 3.5 | 4.1 | 1000    |



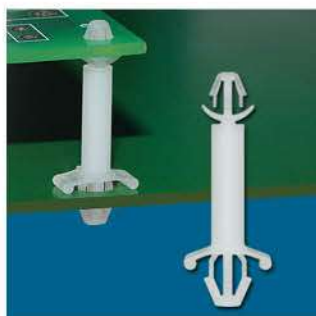


**P.C. 板間隔柱 SPACER SUPPORT 3-37-1**

- MATERIAL: NYLON 66(UL)
- FLAME CLASS: 94V-2
- COLOR: NATURAL

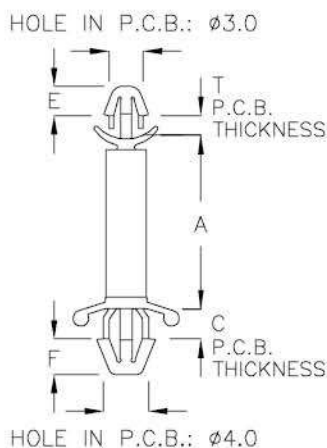


| PART NO | A    | T<br>P.C.B.<br>THICKNESS | C<br>P.C.B.<br>THICKNESS | E   | F   | PACKAGE |
|---------|------|--------------------------|--------------------------|-----|-----|---------|
| LCB3-8  | 7.4  | 0.8~1.7                  | 0.8~2.0                  | 3.5 | 3.5 | 1000    |
| LCB3-10 | 10.0 | 0.8~1.7                  | 0.8~2.0                  | 3.5 | 3.5 |         |
| LCB3-13 | 13.0 | 1.2~1.6                  | 0.8~1.8                  | 3.5 | 3.3 |         |



**P.C. 板間隔柱 SPACER SUPPORT 3-37-2**

- MATERIAL: NYLON 66(UL)
- FLAME CLASS: 94V-2
- COLOR: NATURAL

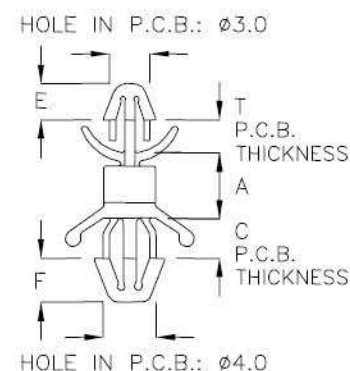


| PART NO  | A    | T<br>P.C.B.<br>THICKNESS | C<br>P.C.B.<br>THICKNESS | E   | F   | PACKAGE |
|----------|------|--------------------------|--------------------------|-----|-----|---------|
| LCBA-15L | 16.4 | 0.8~1.8                  | 1.2~2.0                  | 2.8 | 3.4 | 1000    |

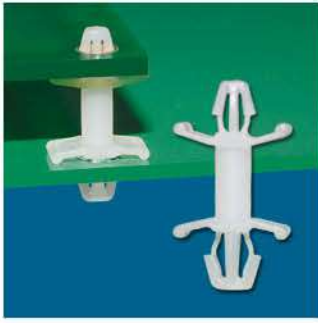


**P.C. 板間隔柱 SPACER SUPPORT 3-37-3**

- MATERIAL: NYLON 66(UL)
- FLAME CLASS: 94V-2
- COLOR: NATURAL



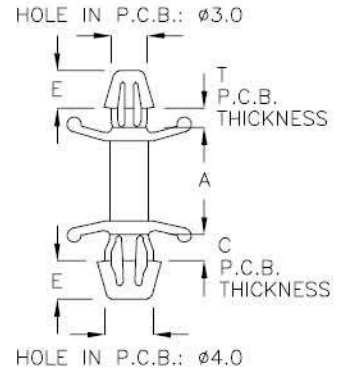
| PART NO  | A   | T<br>P.C.B.<br>THICKNESS | C<br>P.C.B.<br>THICKNESS | E   | F   | PACKAGE |
|----------|-----|--------------------------|--------------------------|-----|-----|---------|
| LBCM-5GA | 5.0 | 0.8~2.0                  | 1.2~2.6                  | 2.8 | 3.4 | 1000    |



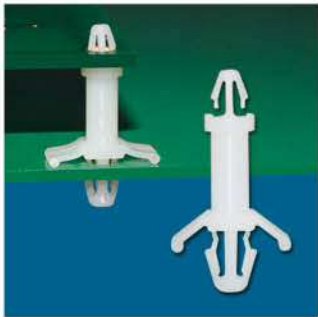
P.C. 板間隔柱 SPACER SUPPORT

3-38-1

- MATERIAL: NYLON 66(UL)
- FLAME CLASS: 94V-2
- COLOR: NATURAL



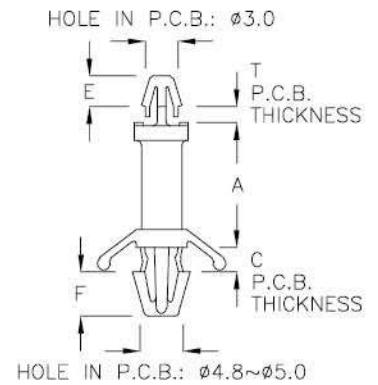
| PART NO | A   | T<br>P.C.B. THICKNESS | C<br>P.C.B. THICKNESS | E   | PACKAGE |
|---------|-----|-----------------------|-----------------------|-----|---------|
| LCH-6A  | 6.6 | 0.6~1.0               | 1.6~1.8               | 3.1 | 1000    |
| LCH-8A  | 8.6 | 0.6~1.0               | 1.6~1.8               | 3.1 |         |



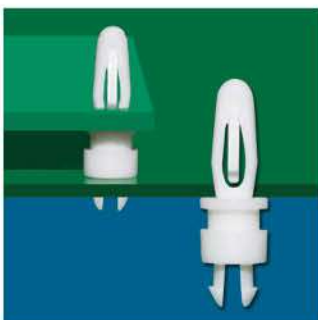
P.C. 板間隔柱 SPACER SUPPORT

3-38-2

- MATERIAL: NYLON 66(UL)
- FLAME CLASS: 94V-2
- COLOR: NATURAL



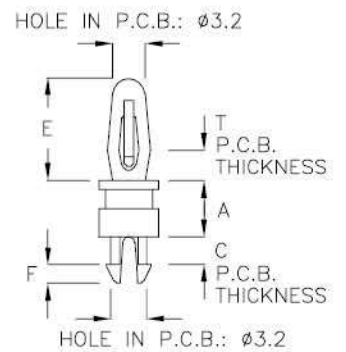
| PART NO | A    | T<br>P.C.B. THICKNESS | C<br>P.C.B. THICKNESS | E   | F   | PACKAGE |
|---------|------|-----------------------|-----------------------|-----|-----|---------|
| MQC-14  | 13.9 | 1.4~1.6               | 0.8~2.0               | 3.5 | 5.1 | 1000    |



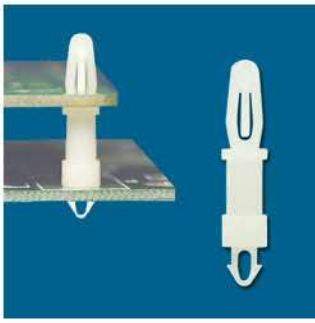
P.C. 板間隔柱 SPACER SUPPORT

3-38-3

- MATERIAL: NYLON 66(UL)
- FLAME CLASS: 94V-2
- COLOR: NATURAL

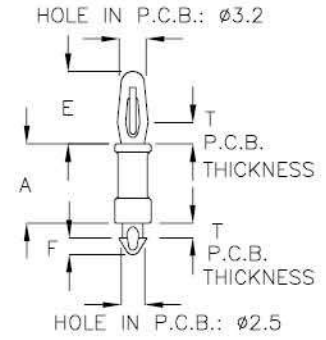


| PART NO | A   | T<br>P.C.B. THICKNESS | C<br>P.C.B. THICKNESS | E   | F   | PACKAGE |
|---------|-----|-----------------------|-----------------------|-----|-----|---------|
| MCX-4A  | 4.8 | 1.4~1.6               | 1.4~1.6               | 8.7 | 1.6 | 2000    |
| MCX-4GR | 4.0 | 1.4~1.6               | 0.8~1.0               | 8.7 | 1.6 |         |

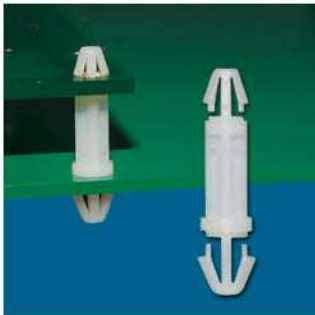


**P.C. 板間隔柱 SPACER SUPPORT 3-39-1**

- MATERIAL: NYLON 66(UL)
- FLAME CLASS: 94V-2
- COLOR: NATURAL

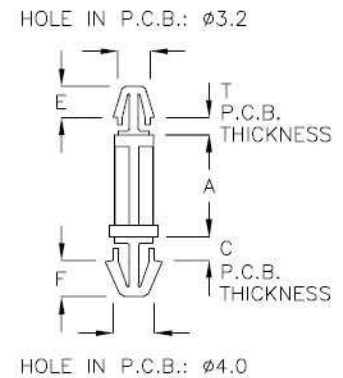


| PART NO | A   | T<br>P.C.B.<br>THICKNESS | E   | F   | PACKAGE |
|---------|-----|--------------------------|-----|-----|---------|
| MCX-9C  | 9.5 | 1.4 ~ 1.6                | 8.7 | 2.0 | 2000    |



**P.C. 板間隔柱 SPACER SUPPORT 3-39-2**

- MATERIAL: NYLON 66(UL)
- FLAME CLASS: 94V-2
- COLOR: NATURAL

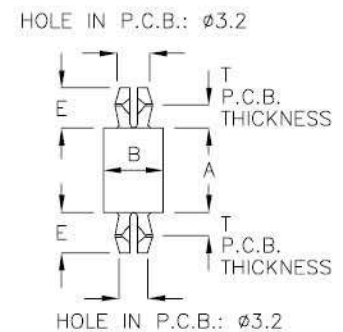


| PART NO  | A     | T<br>P.C.B.<br>THICKNESS | C<br>P.C.B.<br>THICKNESS | E   | F   | PACKAGE |
|----------|-------|--------------------------|--------------------------|-----|-----|---------|
| MCZ-10A  | 10.5  | 1.4~1.6                  | 2.1~2.3                  | 3.3 | 3.7 | 2000    |
| MCZ-10MR | 10.45 | 1.4~1.6                  | 1.8~2.0                  | 3.1 | 2.7 |         |

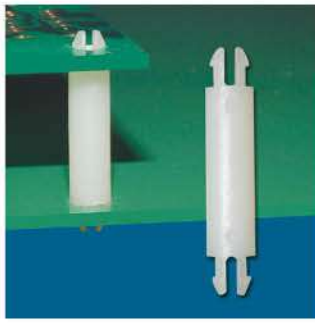


**P.C. 板間隔柱 SPACER SUPPORT 3-39-3**

- MATERIAL: NYLON 66(UL)
- FLAME CLASS: 94V-2
- COLOR: NATURAL

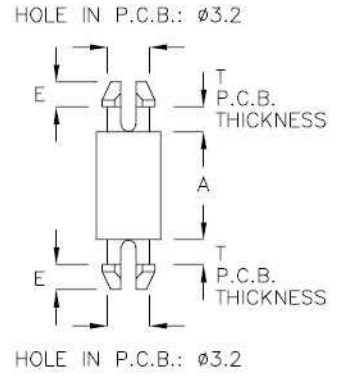


| PART NO | A   | B          | T<br>P.C.B.<br>THICKNESS | E   | PACKAGE |
|---------|-----|------------|--------------------------|-----|---------|
| MCP-7A  | 7.9 | $\phi 5.6$ | 1.4 ~ 1.6                | 3.8 | 2000    |



**P.C. 板間隔柱 SPACER SUPPORT 3-40-1**

- MATERIAL: NYLON 66(UL)
- FLAME CLASS: 94V-2
- COLOR: NATURAL

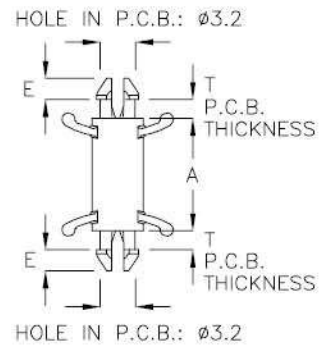


| PART NO | A    | T<br>P.C.B.<br>THICKNESS | E   | PACKAGE |
|---------|------|--------------------------|-----|---------|
| UCD-10A | 10.1 | 1.4 ~ 1.6                | 1.9 | 2000    |
| UCD-11A | 11.1 | 1.4 ~ 1.6                | 1.9 |         |
| UCD-16A | 15.9 | 1.4 ~ 1.6                | 1.9 | 1000    |

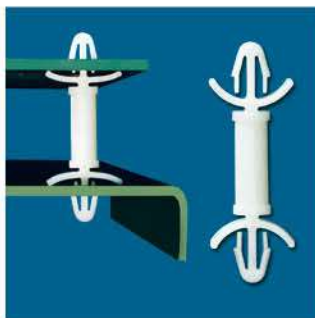


**P.C. 板間隔柱 SPACER SUPPORT 3-40-2**

- MATERIAL: NYLON 66(UL)
- FLAME CLASS: 94V-2
- COLOR: NATURAL, BLACK

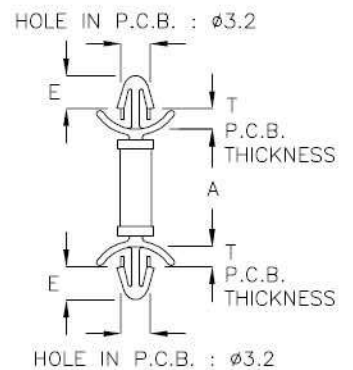


| PART NO | A    | T<br>P.C.B.<br>THICKNESS | E   | PACKAGE |
|---------|------|--------------------------|-----|---------|
| UCK-10F | 10.1 | 1.4 ~ 1.6                | 1.9 | 2000    |



**P.C. 板間隔柱 SPACER SUPPORT 3-40-3**

- MATERIAL: NYLON 66(UL)
- FLAME CLASS: 94V-2
- COLOR: NATURAL

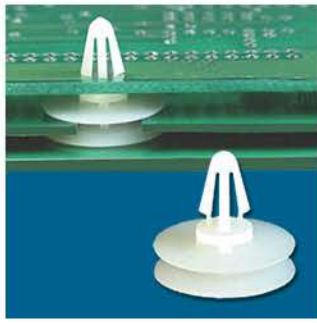


| PART NO | A    | T<br>P.C.B.<br>THICKNESS | E   | PACKAGE |
|---------|------|--------------------------|-----|---------|
| LCS-14D | 14.3 | 0.8~2.0                  | 4.0 | 1000    |

# 03



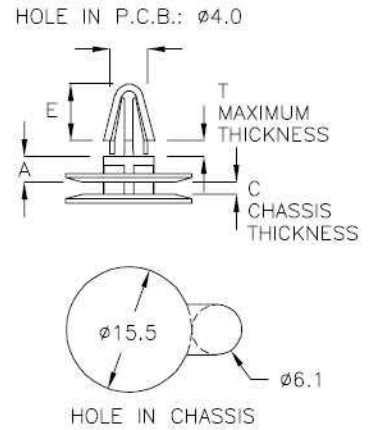
P.C. 板間隔柱  
SPACER SUPPORT



**P.C. 板間隔柱 SPACER SUPPORT 3-2-1**

- MATERIAL: NYLON 66(UL)
- FLAME CLASS: 94V-2
- COLOR: NATURAL

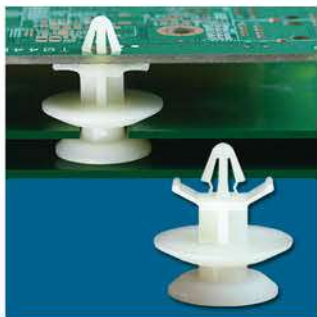
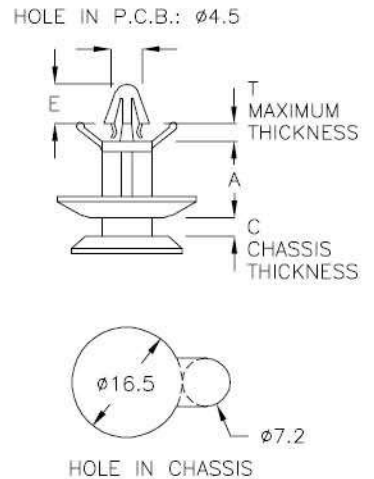
| PART NO | A   | T<br>MAXIMUM<br>THICKNESS | C<br>CHASSIS<br>THICKNESS | E   | PACKAGE |
|---------|-----|---------------------------|---------------------------|-----|---------|
| LSA-2A  | 3.0 | 1.6                       | 1.2                       | 6.8 | 500     |



**P.C. 板間隔柱 SPACER SUPPORT 3-2-2**

- MATERIAL: NYLON 66(UL)
- FLAME CLASS: 94V-2
- COLOR: NATURAL

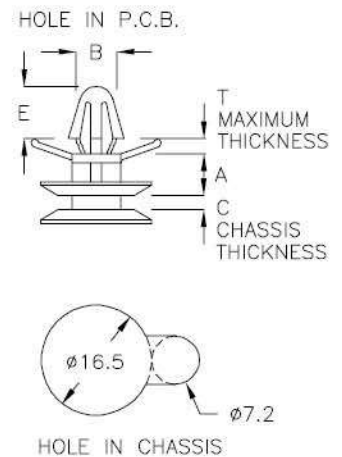
| PART NO | A    | T<br>MAXIMUM<br>THICKNESS | C<br>CHASSIS<br>THICKNESS | E   | PACKAGE |
|---------|------|---------------------------|---------------------------|-----|---------|
| LSD-9B  | 8.6  | 4.0                       | 2.5                       | 5.8 | 500     |
| LSD-11A | 11.1 | 2.0                       | 2.5                       | 5.8 |         |
| LSD-12  | 12.1 | 1.6                       | 2.5                       | 5.8 |         |
| LSD-12A | 12.1 | 2.0                       | 2.5                       | 5.8 |         |
| LSD-14  | 14.0 | 1.6                       | 2.5                       | 5.8 |         |

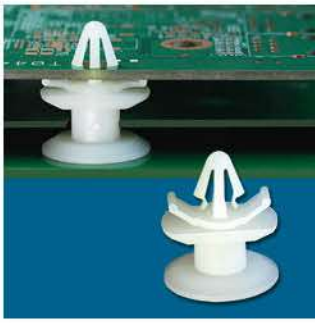


**P.C. 板間隔柱 SPACER SUPPORT 3-2-3**

- MATERIAL: NYLON 66(UL)
- FLAME CLASS: 94V-2
- COLOR: NATURAL

| PART NO | A    | B          | T<br>MAXIMUM<br>THICKNESS | C<br>CHASSIS<br>THICKNESS | E   | PACKAGE |
|---------|------|------------|---------------------------|---------------------------|-----|---------|
| LSD-4A  | 4.5  | $\phi 4.5$ | 2.0                       | 2.5                       | 5.8 | 500     |
| LSD-6   | 6.0  | $\phi 6.0$ | 1.6                       | 1.8                       | 7.6 |         |
| LSD-9A  | 9.5  | $\phi 4.5$ | 1.6                       | 1.8                       | 5.8 |         |
| LSD-9C  | 8.6  | $\phi 6.0$ | 1.6                       | 1.8                       | 7.6 |         |
| LSD-13A | 13.3 | $\phi 6.0$ | 1.6                       | 1.8                       | 7.6 |         |

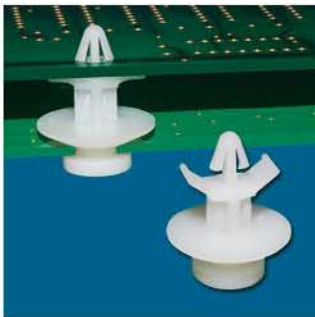
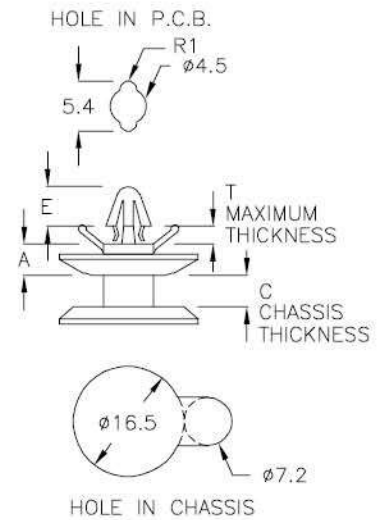




### P.C. 板間隔柱 SPACER SUPPORT 3-3-1

- MATERIAL: NYLON 66(UL)
- FLAME CLASS: 94V-2
- COLOR: NATURAL

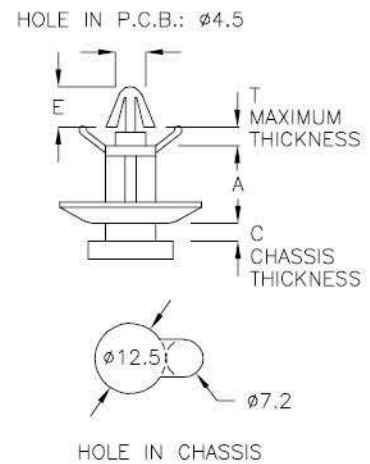
| PART NO | A   | T<br>MAXIMUM<br>THICKNESS | C<br>CHASSIS<br>THICKNESS | E   | PACKAGE |
|---------|-----|---------------------------|---------------------------|-----|---------|
| LSD-8   | 3.3 | 2.0                       | 2.5                       | 6.5 | 500     |
| LSD-8C  | 3.2 | 2.0                       | 5.0                       | 6.5 |         |



### P.C. 板間隔柱 SPACER SUPPORT 3-3-2

- MATERIAL: NYLON 66(UL)
- FLAME CLASS: 94V-2
- COLOR: NATURAL

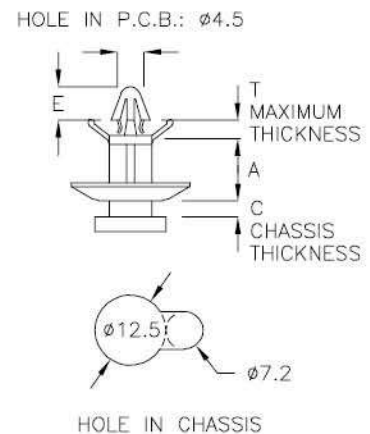
| PART NO | A    | T<br>MAXIMUM<br>THICKNESS | C<br>CHASSIS<br>THICKNESS | E   | PACKAGE |
|---------|------|---------------------------|---------------------------|-----|---------|
| LSD-11  | 11.0 | 2.0                       | 2.2                       | 5.8 | 500     |

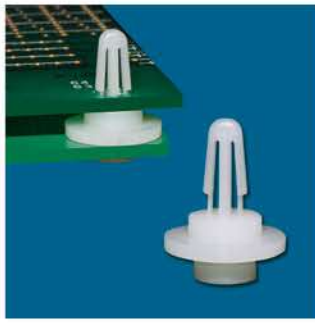


### P.C. 板間隔柱 SPACER SUPPORT 3-3-3

- MATERIAL: NYLON 66(UL)
- FLAME CLASS: 94V-2
- COLOR: NATURAL

| PART NO | A    | T<br>MAXIMUM<br>THICKNESS | C<br>CHASSIS<br>THICKNESS | E   | PACKAGE |
|---------|------|---------------------------|---------------------------|-----|---------|
| LSD-11C | 11.0 | 2.0                       | 2.1                       | 5.8 | 500     |



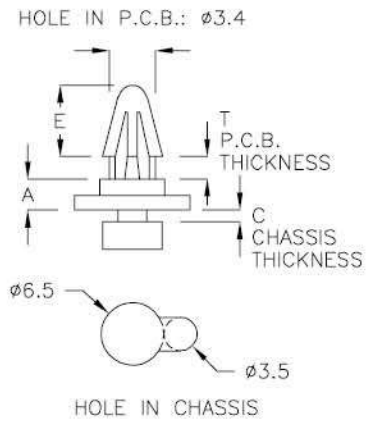


### P.C. 板間隔柱 SPACER SUPPORT

3-4-1

- MATERIAL: NYLON 66(UL)
- FLAME CLASS: 94V-2
- COLOR: NATURAL

| PART NO | A   | T<br>P.C.B.<br>THICKNESS | C<br>CHASSIS<br>THICKNESS | E   | PACKAGE |
|---------|-----|--------------------------|---------------------------|-----|---------|
| ACBS-3C | 3.5 | 1.4~1.8                  | 0.8~1.0                   | 7.1 | 1000    |

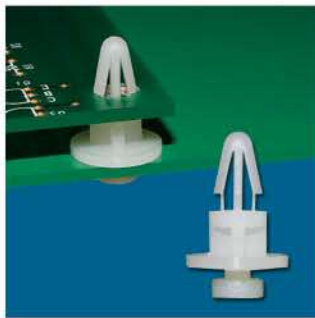
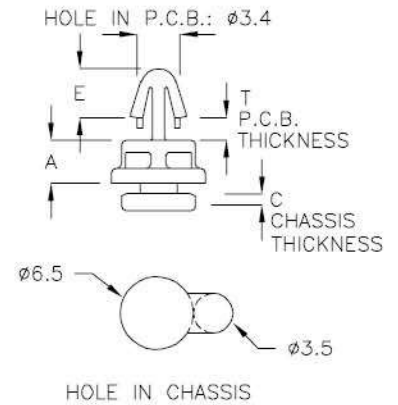


### P.C. 板間隔柱 SPACER SUPPORT

3-4-2

- MATERIAL: NYLON 66(UL)
- FLAME CLASS: 94V-2
- COLOR: NATURAL

| PART NO  | A   | T<br>P.C.B.<br>THICKNESS | C<br>CHASSIS<br>THICKNESS | E   | PACKAGE |
|----------|-----|--------------------------|---------------------------|-----|---------|
| ACMS-3RK | 3.5 | 1.6                      | 0.6                       | 4.0 | 1000    |

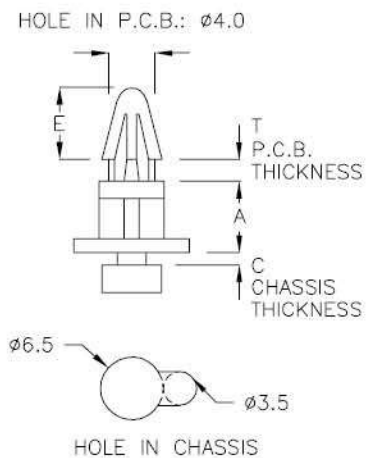


### P.C. 板間隔柱 SPACER SUPPORT

3-4-3

- MATERIAL: NYLON 66(UL)
- FLAME CLASS: 94V-2
- COLOR: NATURAL

| PART NO | A    | T<br>P.C.B.<br>THICKNESS | C<br>CHASSIS<br>THICKNESS | E   | PACKAGE |
|---------|------|--------------------------|---------------------------|-----|---------|
| ACBS-2  | 2.5  | 1.4~1.7                  | 0.8~1.4                   | 7.1 | 1000    |
| ACBS-3A | 3.5  | 1.4~1.7                  | 0.8~1.0                   | 7.1 |         |
| ACBS-5  | 5.0  | 1.2~1.7                  | 0.8~1.4                   | 7.1 |         |
| ACBS-6  | 6.5  | 1.2~1.7                  | 0.8~1.2                   | 7.3 |         |
| ACBS-6B | 6.35 | 1.4~1.9                  | 0.8~1.4                   | 7.1 |         |
| ACBS-6C | 6.35 | 1.4~2.0                  | 0.8~1.4                   | 7.2 |         |
| ACBS-6M | 6.85 | 1.2~1.6                  | 0.5~0.8                   | 7.0 |         |
| ACBS-8  | 8.0  | 1.4~1.8                  | 0.8~1.4                   | 7.1 |         |
| ACBS-10 | 10.0 | 1.4~1.8                  | 0.8~1.5                   | 7.1 |         |
| ACBS-12 | 12.7 | 1.4~1.8                  | 1.0~1.6                   | 7.1 |         |

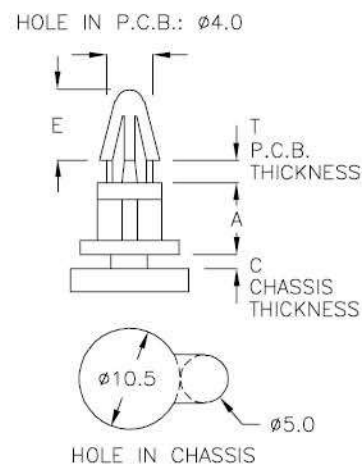






### P.C. 板間隔柱 SPACER SUPPORT 3-5-1

- MATERIAL: NYLON 66(UL)
- FLAME CLASS: 94V-2
- COLOR: NATURAL

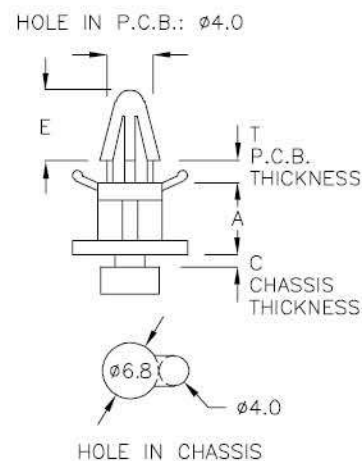


| PART NO | A   | T<br>P.C.B.<br>THICKNESS | C<br>CHASSIS<br>THICKNESS | E   | PACKAGE |
|---------|-----|--------------------------|---------------------------|-----|---------|
| ACBS-8A | 8.0 | 1.4~1.9                  | 1.6~2.2                   | 7.1 | 1000    |



### P.C. 板間隔柱 SPACER SUPPORT 3-5-2

- MATERIAL: NYLON 66(UL)
- FLAME CLASS: 94V-2
- COLOR: NATURAL

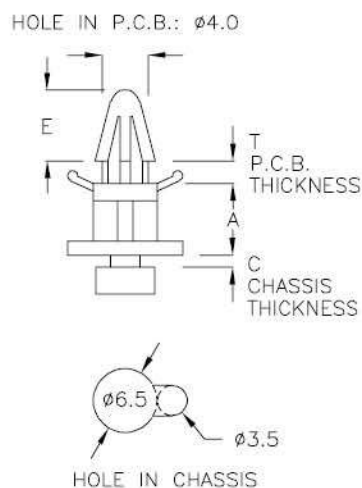


| PART NO | A   | T<br>P.C.B.<br>THICKNESS | C<br>CHASSIS<br>THICKNESS | E   | PACKAGE |
|---------|-----|--------------------------|---------------------------|-----|---------|
| ACBS-6K | 6.5 | 1.8~2.3                  | 0.6~0.8                   | 7.1 | 1000    |

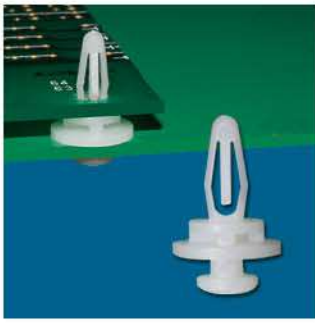


### P.C. 板間隔柱 SPACER SUPPORT 3-5-3

- MATERIAL: NYLON 66(UL)
- FLAME CLASS: 94V-2
- COLOR: NATURAL



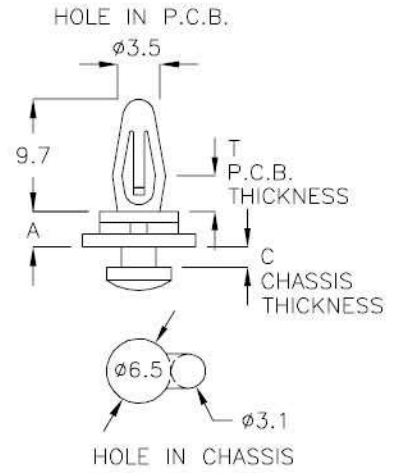
| PART NO  | A    | T<br>P.C.B.<br>THICKNESS | C<br>CHASSIS<br>THICKNESS | E   | PACKAGE |
|----------|------|--------------------------|---------------------------|-----|---------|
| ACBS-6T  | 6.4  | 1.5~2.3                  | 0.8~1.5                   | 7.1 | 1000    |
| ACBS-17T | 17.0 | 1.4~1.8                  | 0.6~0.8                   | 7.1 | 500     |
| ACBS-74T | 74.0 | 1.4~1.6                  | 1.0~1.2                   | 7.3 | 200     |



**P.C. 板間隔柱 SPACER SUPPORT 3-6-1**

- MATERIAL: NYLON 66(UL)
- FLAME CLASS: 94V-2
- COLOR: NATURAL

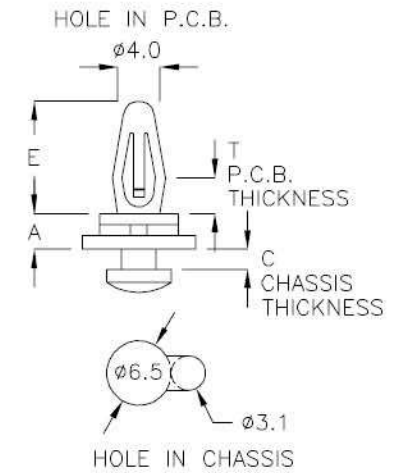
| PART NO | A   | T<br>P.C.B.<br>THICKNESS | C<br>CHASSIS<br>THICKNESS | PACKAGE |
|---------|-----|--------------------------|---------------------------|---------|
| AF-003  | 3.2 | 1.6                      | 1.0~1.7                   | 1000    |



**P.C. 板間隔柱 SPACER SUPPORT 3-6-2**

- MATERIAL: NYLON 66(UL)
- FLAME CLASS: 94V-2
- COLOR: NATURAL

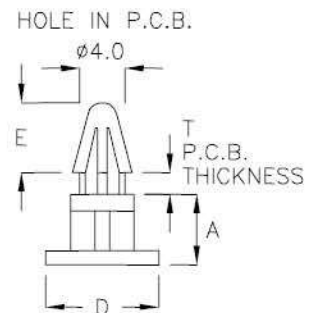
| PART NO | A   | T<br>P.C.B.<br>THICKNESS | C<br>CHASSIS<br>THICKNESS | E    | PACKAGE |
|---------|-----|--------------------------|---------------------------|------|---------|
| AC-003  | 3.2 | 1.6                      | 1.0~1.7                   | 10.3 | 1000    |
| AC-006  | 6.4 | 1.6                      | 1.0~1.7                   | 10.2 |         |

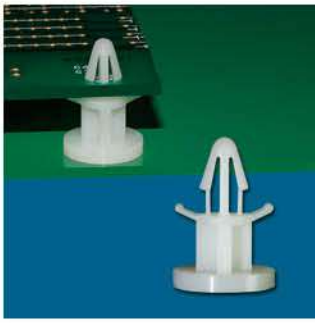


**P.C. 板間隔柱 SPACER SUPPORT 3-6-3**

- MATERIAL: NYLON 66(UL)
- FLAME CLASS: 94V-2
- COLOR: NATURAL

| PART NO | A    | T<br>P.C.B.<br>THICKNESS | D     | E   | PACKAGE |
|---------|------|--------------------------|-------|-----|---------|
| ACBS-6Y | 6.4  | 1.2~1.6                  | ø11.8 | 7.2 | 1000    |
| ACBS-8X | 8.0  | 1.2~1.7                  | ø15.0 | 7.2 |         |
| ACBS-8Y | 8.0  | 1.2~1.7                  | ø11.6 | 7.2 |         |
| ACBS-8K | 8.0  | 1.2~1.7                  | ø18.0 | 7.1 |         |
| ACT-17  | 17.0 | 1.4~1.8                  | ø11.3 | 7.0 |         |

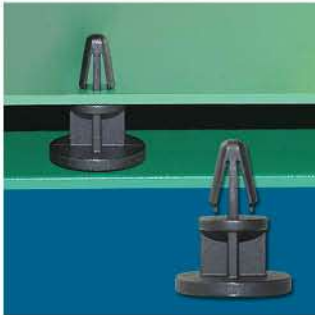
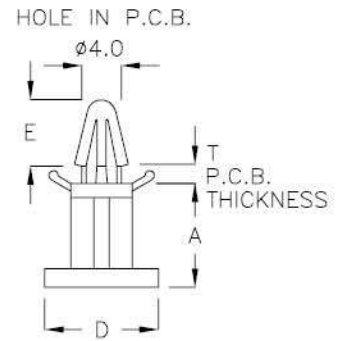




**P.C. 板間隔柱 SPACER SUPPORT 3-7-1**

- MATERIAL: NYLON 66(UL)
- FLAME CLASS: 94V-2
- COLOR: NATURAL

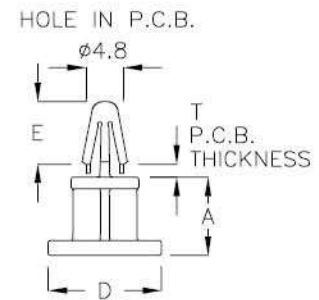
| PART NO  | A    | T<br>P.C.B.<br>THICKNESS | D     | E   | PACKAGE |
|----------|------|--------------------------|-------|-----|---------|
| ACBS-8D  | 8.0  | 1.2~1.6                  | ø11.8 | 7.5 | 1000    |
| ACBS-9K  | 8.5  | 1.6~2.2                  | ø12.0 | 6.0 |         |
| ACBS-9Y  | 9.0  | 1.2~1.6                  | ø12.0 | 7.1 |         |
| ACBS-10Y | 10.0 | 1.2~1.6                  | ø12.0 | 7.1 |         |
| ACBS-11Y | 11.0 | 1.2~1.6                  | ø11.9 | 7.1 |         |



**P.C. 板間隔柱 SPACER SUPPORT 3-7-2**

- MATERIAL: NYLON 66(UL)
- FLAME CLASS: 94V-2
- COLOR: BLACK

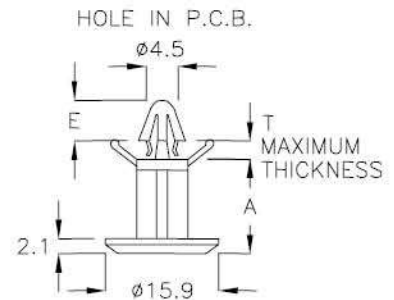
| PART NO  | A   | T<br>P.C.B.<br>THICKNESS | D     | E   | PACKAGE |
|----------|-----|--------------------------|-------|-----|---------|
| ACBK-9HG | 9.6 | 1.6                      | ø15.0 | 8.3 | 1000    |



**P.C. 板間隔柱 SPACER SUPPORT 3-7-3**

- MATERIAL: NYLON 66(UL)
- FLAME CLASS: 94V-2
- COLOR: NATURAL

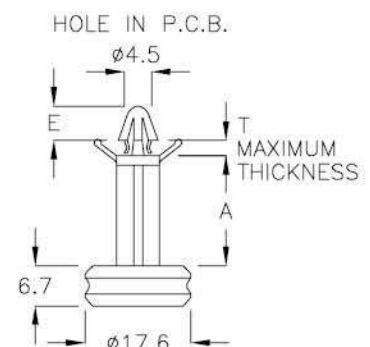
| PART NO | A    | T<br>MAXIMUM<br>THICKNESS | E   | PACKAGE |
|---------|------|---------------------------|-----|---------|
| LSD-13  | 13.3 | 2.0                       | 5.8 | 500     |



**P.C. 板間隔柱 SPACER SUPPORT 3-7-4**

- MATERIAL: NYLON 66(UL)
- FLAME CLASS: 94V-2
- COLOR: NATURAL

| PART NO | A    | T<br>MAXIMUM<br>THICKNESS | E   | PACKAGE |
|---------|------|---------------------------|-----|---------|
| LSD-21  | 19.0 | 2.0                       | 5.8 | 200     |

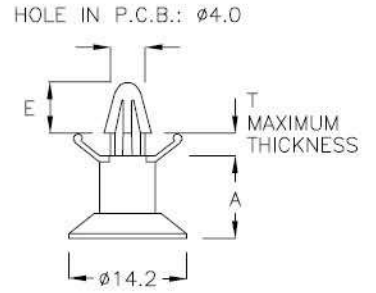




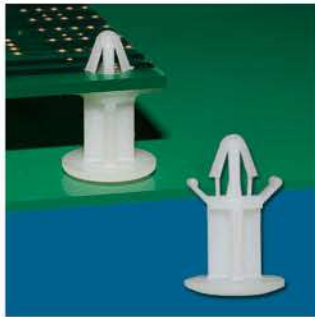
### P.C. 板間隔柱 SPACER SUPPORT

3-8-1

- MATERIAL: NYLON 66(UL)
- FLAME CLASS: 94V-2
- COLOR: NATURAL



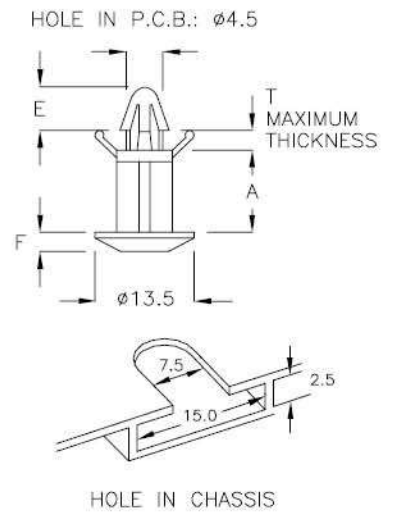
| PART NO | A   | T<br>MAXIMUM<br>THICKNESS | E   | PACKAGE |
|---------|-----|---------------------------|-----|---------|
| LTD-10  | 9.9 | 2.0                       | 5.4 | 500     |



### P.C. 板間隔柱 SPACER SUPPORT

3-8-2

- MATERIAL: NYLON 66(UL)
- FLAME CLASS: 94V-2
- COLOR: NATURAL



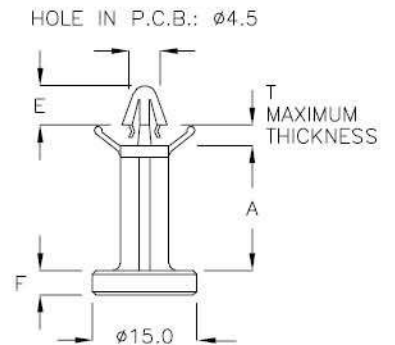
| PART NO | A    | T<br>MAXIMUM<br>THICKNESS | E   | F   | PACKAGE |
|---------|------|---------------------------|-----|-----|---------|
| LTD-11  | 11.0 | 2.0                       | 5.8 | 2.0 | 500     |
| LTD-14  | 14.0 | 2.0                       | 5.8 | 2.0 |         |



### P.C. 板間隔柱 SPACER SUPPORT

3-8-3

- MATERIAL: NYLON 66(UL)
- FLAME CLASS: 94V-2
- COLOR: NATURAL

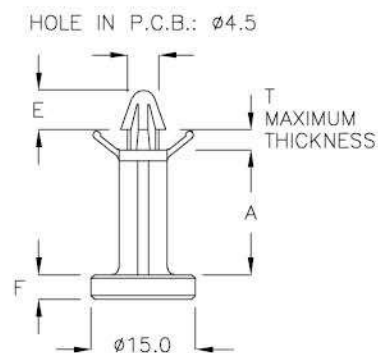


| PART NO | A    | T<br>MAXIMUM<br>THICKNESS | E   | F   | PACKAGE |
|---------|------|---------------------------|-----|-----|---------|
| LTD-18  | 18.0 | 1.8                       | 5.8 | 3.5 | 500     |
| LTD-18A | 18.0 | 1.8                       | 5.8 | 3.0 |         |

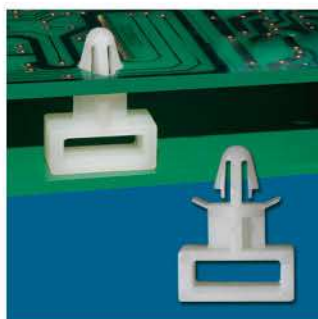


### P.C. 板間隔柱 SPACER SUPPORT 3-9-1

- MATERIAL: NYLON 66(UL)
- FLAME CLASS: 94V-2
- COLOR: NATURAL

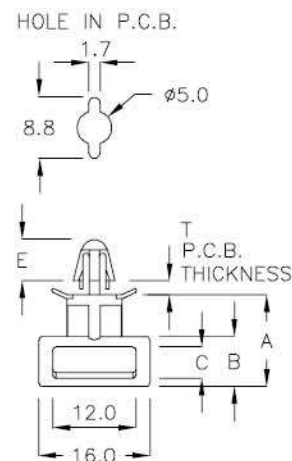


| PART NO | A    | T<br>MAXIMUM<br>THICKNESS | E   | F   | PACKAGE |
|---------|------|---------------------------|-----|-----|---------|
| LTD-18C | 18.0 | 1.7                       | 6.0 | 3.0 | 500     |

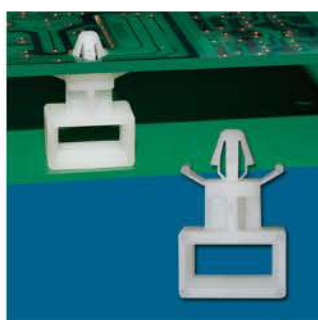


### P.C. 板間隔柱 SPACER SUPPORT 3-9-2

- MATERIAL: NYLON 66(UL)
- FLAME CLASS: 94V-2
- COLOR: NATURAL

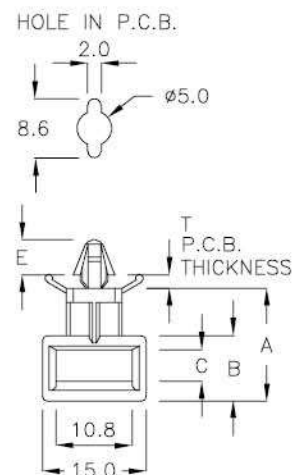


| PART NO | A    | B   | C   | T<br>P.C.B.<br>THICKNESS | E   | PACKAGE |
|---------|------|-----|-----|--------------------------|-----|---------|
| LTX-13  | 13.2 | 7.2 | 3.7 | 1.6                      | 6.0 | 1000    |

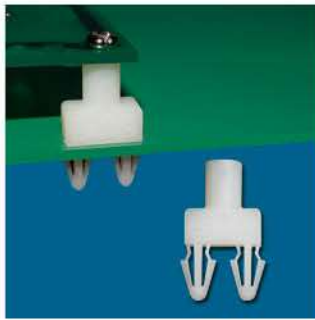


### P.C. 板間隔柱 SPACER SUPPORT 3-9-3

- MATERIAL: NYLON 66(UL)
- FLAME CLASS: 94V-2
- COLOR: NATURAL



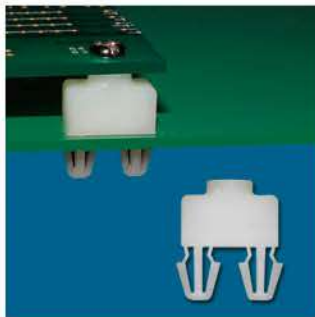
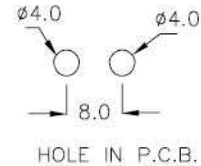
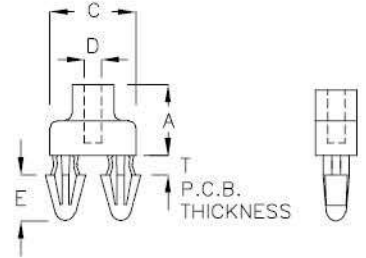
| PART NO | A    | B   | C   | T<br>P.C.B.<br>THICKNESS | E   | PACKAGE |
|---------|------|-----|-----|--------------------------|-----|---------|
| LTX-16A | 16.2 | 9.4 | 4.5 | 1.6                      | 5.0 | 500     |



**P.C. 板間隔柱 SPACER SUPPORT 3-10-1**

- MATERIAL: NYLON 66(UL)
- FLAME CLASS: 94V-2
- COLOR: NATURAL

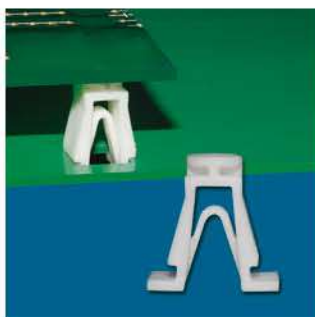
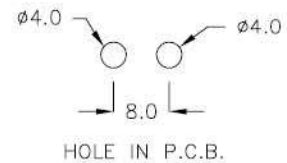
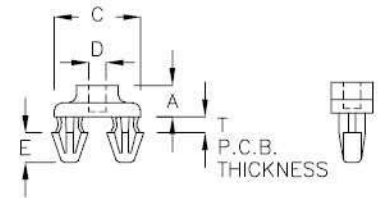
| PART NO | A    | T<br>P.C.B.<br>THICKNESS | C    | D<br>TAPPING<br>SCREW | E   | PACKAGE |
|---------|------|--------------------------|------|-----------------------|-----|---------|
| TAA-01  | 13.8 | 2.0                      | 12.5 | M3X8                  | 6.7 | 500     |
| TAA-03  | 21.0 | 1.6                      | 12.5 | M3X8                  | 6.7 |         |
| TAA-04  | 15.0 | 2.0                      | 12.5 | M3X8                  | 6.7 |         |
| TAA-05  | 5.0  | 1.6                      | 12.5 | M3X4                  | 6.7 |         |
| TAA-06  | 14.1 | 2.5                      | 12.5 | M3X8                  | 6.7 |         |



**P.C. 板間隔柱 SPACER SUPPORT 3-10-2**

- MATERIAL: NYLON 66(UL)
- FLAME CLASS: 94V-2
- COLOR: NATURAL

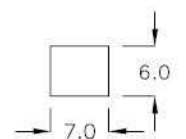
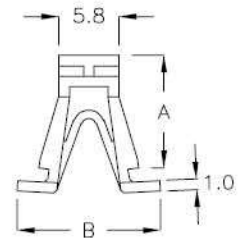
| PART NO | A   | T<br>P.C.B.<br>THICKNESS | C    | D<br>TAPPING<br>SCREW | E   | PACKAGE |
|---------|-----|--------------------------|------|-----------------------|-----|---------|
| TAA-07  | 4.5 | 2.0                      | 12.5 | M3X4                  | 4.3 | 500     |
| TAA-4A  | 8.5 | 1.6                      | 12.5 | M3X6                  | 4.8 |         |



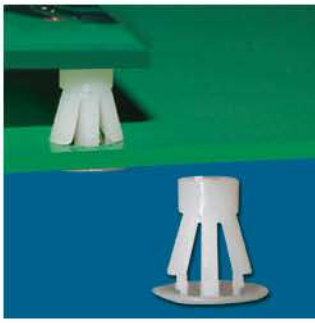
**P.C. 板間隔柱 SPACER SUPPORT 3-10-3**

- MATERIAL: NYLON 66(UL)
- FLAME CLASS: 94V-0
- COLOR: NATURAL

| PART NO | A    | B    | PACKAGE |
|---------|------|------|---------|
| FK-011  | 11.0 | 13.0 | 1000    |

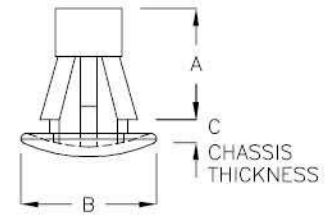


HOLE IN CHASSIS  
CHASSIS THICKNESS:1.0mm



### P.C. 板間隔柱 SPACER SUPPORT ———— 3-11-1

- MATERIAL: NYLON 66(UL)
- FLAME CLASS: 94V-2
- COLOR: NATURAL
- HOLE IN CHASSIS:  $\phi 5.5$

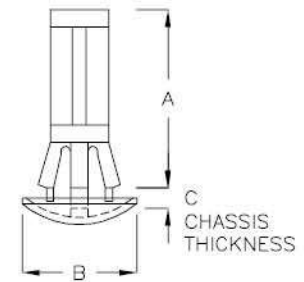


| PART NO | A    | B           | C<br>CHASSIS<br>THICKNESS | PACKAGE |
|---------|------|-------------|---------------------------|---------|
| FCB-4M  | 4.5  | $\phi 9.8$  | 0.8~1.2                   | 1000    |
| FCB-5   | 5.0  | $\phi 11.5$ | 1.4~2.0                   |         |
| FCB-6   | 6.35 | $\phi 10.4$ | 1.0~2.0                   |         |
| FCB-6A  | 6.35 | $\phi 10.0$ | 1.5~2.3                   |         |
| FCB-7   | 7.0  | $\phi 10.4$ | 1.3~1.9                   |         |
| FCB-8   | 8.0  | $\phi 9.8$  | 1.0~1.4                   |         |
| FCB-10  | 10.0 | $\phi 9.8$  | 1.0~1.4                   |         |
| FCB-10A | 10.0 | $\phi 11.5$ | 1.4~2.0                   |         |
| FCB-12  | 12.7 | $\phi 9.8$  | 1.0~1.4                   |         |
| FCB-12A | 12.7 | $\phi 9.9$  | 1.2~2.2                   |         |
| FCB-14  | 13.9 | $\phi 9.9$  | 1.5~2.0                   | 500     |
| FCB-15  | 15.7 | $\phi 9.8$  | 1.6~2.2                   |         |



### P.C. 板間隔柱 SPACER SUPPORT ———— 3-11-2

- MATERIAL: NYLON 66(UL)
- FLAME CLASS: 94V-2
- COLOR: NATURAL
- HOLE IN CHASSIS:  $\phi 5.5$

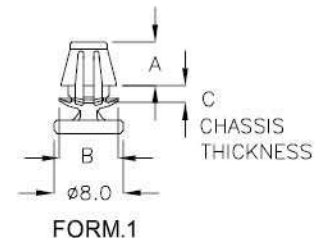


| PART NO | A    | B           | C<br>CHASSIS<br>THICKNESS | PACKAGE |
|---------|------|-------------|---------------------------|---------|
| FCT-14  | 14.0 | $\phi 9.8$  | 1.0~2.0                   | 1000    |
| FCT-19A | 19.0 | $\phi 10.0$ | 0.8~1.6                   |         |

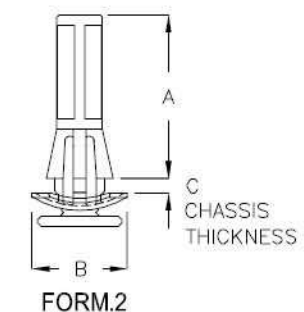


### P.C. 板間隔柱 SPACER SUPPORT ———— 3-11-3

- MATERIAL: NYLON 66(UL)
- FLAME CLASS: 94V-2
- COLOR: NATURAL
- HOLE IN CHASSIS:  $\phi 4.8$



| PART NO | A    | B           | C<br>CHASSIS<br>THICKNESS | FORM | PACKAGE |
|---------|------|-------------|---------------------------|------|---------|
| FFR-05  | 5.0  | $\phi 6.75$ | 1.4~1.6                   | 1    | 1000    |
| FFR-15H | 15.5 | $\phi 9.0$  | 1.4~1.6                   | 2    |         |

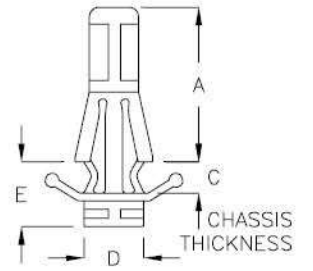




**P.C. 板間隔柱 SPACER SUPPORT ———— 3-12-1 |**

- MATERIAL: NYLON 66(UL)
- FLAME CLASS: 94V-2
- COLOR: NATURAL
- HOLE IN CHASSIS:  $\phi 4.0$

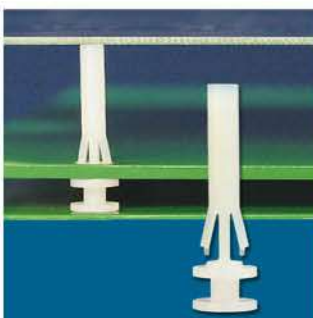
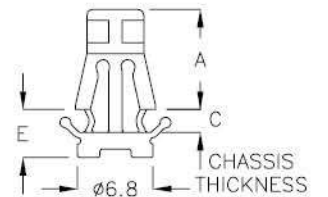
| PART NO  | A    | C<br>CHASSIS<br>THICKNESS | D          | E   | PACKAGE |
|----------|------|---------------------------|------------|-----|---------|
| KDD-11   | 11.0 | 1.6                       | $\phi 4.2$ | 4.6 | 500     |
| KDD-12C  | 12.5 | 1.6                       | $\phi 4.2$ | 4.1 |         |
| KDD-12MK | 12.5 | 1.6                       | $\phi 5.0$ | 4.7 |         |
| KDD-12TS | 12.5 | 1.6                       | $\phi 5.0$ | 5.5 |         |
| KDD-14C  | 14.6 | 1.6                       | $\phi 4.2$ | 5.1 |         |
| KDD-15A  | 15.0 | 1.6                       | $\phi 5.0$ | 4.6 |         |
| KDD-19   | 19.0 | 1.6                       | $\phi 4.2$ | 5.2 |         |
| KDD-22A  | 22.3 | 1.6                       | $\phi 4.2$ | 5.2 |         |
| KDD-24   | 24.0 | 1.6                       | $\phi 5.0$ | 4.6 |         |



**P.C. 板間隔柱 SPACER SUPPORT ———— 3-12-2 |**

- MATERIAL: NYLON 66(UL)
- FLAME CLASS: 94V-2
- COLOR: NATURAL
- HOLE IN CHASSIS:  $\phi 5.6$

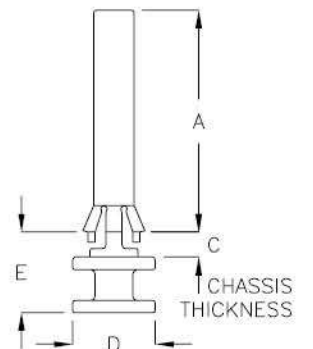
| PART NO | A   | C<br>CHASSIS<br>THICKNESS | E   | PACKAGE |
|---------|-----|---------------------------|-----|---------|
| KDH-09  | 9.0 | 0.8~1.6                   | 4.3 | 1000    |



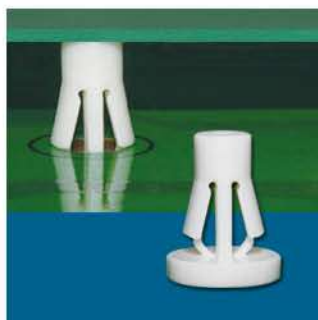
**P.C. 板間隔柱 SPACER SUPPORT ———— 3-12-3 |**

- MATERIAL: NYLON 66(UL)
- FLAME CLASS: 94V-2
- COLOR: NATURAL
- HOLE IN CHASSIS:  $\phi 3.5$

| PART NO | A    | C<br>CHASSIS<br>THICKNESS | D          | E    | PACKAGE |
|---------|------|---------------------------|------------|------|---------|
| KDM-14K | 15.0 | 1.4~1.6                   | $\phi 6.0$ | 5.8  | 500     |
| KDM-16  | 16.0 | 1.4~1.6                   | $\phi 6.0$ | 5.8  | 2000    |
| KDM-21C | 21.6 | 1.4~1.6                   | $\phi 7.5$ | 12.8 | 500     |

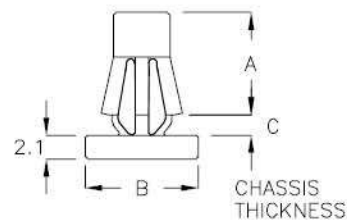




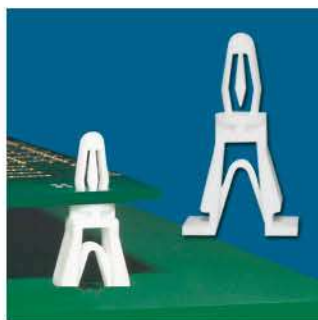


### P.C. 板間隔柱 SPACER SUPPORT 3-13-1

- MATERIAL: NYLON 66(UL)
- FLAME CLASS: 94V-2
- COLOR: NATURAL
- HOLE IN CHASSIS:  $\phi 5.6$

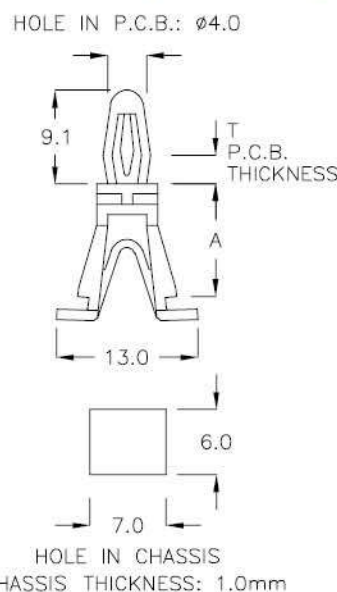


| PART NO | A   | B           | C<br>CHASSIS THICKNESS | PACKAGE |
|---------|-----|-------------|------------------------|---------|
| SCQ-09  | 9.0 | $\phi 10.0$ | 1.6                    | 1000    |

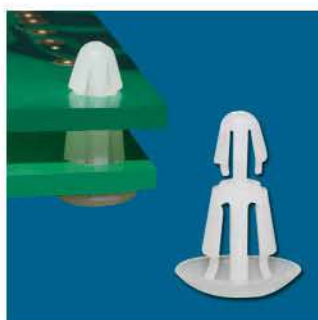


### P.C. 板間隔柱 SPACER SUPPORT 3-13-2

- MATERIAL: NYLON 66(UL)
- FLAME CLASS: 94V-2
- COLOR: NATURAL

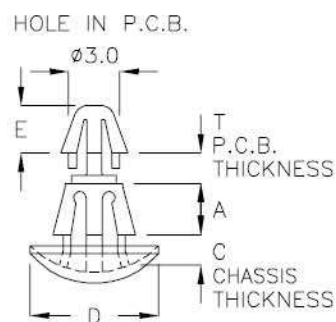


| PART NO | A    | T<br>P.C.B. THICKNESS | PACKAGE |
|---------|------|-----------------------|---------|
| SK-011  | 11.0 | 1.6                   | 1000    |

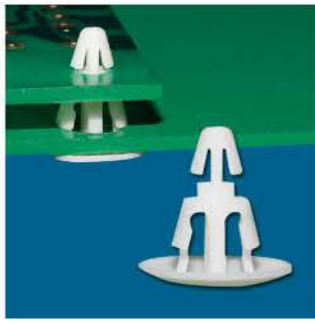


### P.C. 板間隔柱 SPACER SUPPORT 3-13-3

- MATERIAL: NYLON 66(UL)
- FLAME CLASS: 94V-2
- COLOR: NATURAL
- HOLE IN CHASSIS:  $\phi 4.0$

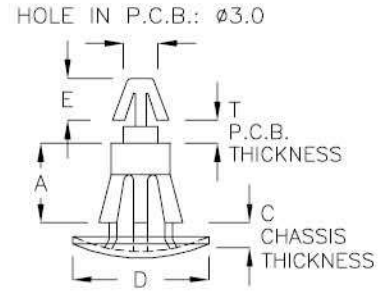


| PART NO  | A    | T<br>P.C.B. THICKNESS | C<br>CHASSIS THICKNESS | D          | E    | PACKAGE |
|----------|------|-----------------------|------------------------|------------|------|---------|
| SCK-20   | 2.5  | 1.4~1.6               | 0.8~1.0                | $\phi 5.8$ | 2.7  | 2000    |
| SCK-2K   | 2.5  | 1.6~1.9               | 0.8~1.0                | $\phi 5.8$ | 2.65 |         |
| SCK-3A   | 3.2  | 1.4~1.6               | 0.8~1.6                | $\phi 8.0$ | 3.0  | 1000    |
| SCK-04   | 4.0  | 1.4~1.6               | 0.8~1.6                | $\phi 8.2$ | 3.1  |         |
| SCK-4AM  | 4.5  | 1.4~1.6               | 0.8~1.6                | $\phi 8.2$ | 3.1  |         |
| SCK-05   | 5.0  | 1.4~1.6               | 0.8~1.2                | $\phi 5.8$ | 3.1  |         |
| SCK-5QN  | 5.5  | 1.4~1.6               | 1.4~1.6                | $\phi 8.2$ | 3.1  |         |
| SCK-06   | 6.0  | 1.4~1.6               | 0.8~1.6                | $\phi 8.2$ | 2.95 |         |
| SCK-07   | 7.0  | 1.4~1.6               | 1.4~1.6                | $\phi 8.2$ | 3.1  |         |
| SCK-08   | 8.0  | 1.4~1.6               | 0.8~1.6                | $\phi 8.2$ | 3.1  |         |
| SCK-10   | 10.0 | 1.4~1.6               | 0.8~1.6                | $\phi 8.2$ | 3.1  |         |
| SCK-12   | 12.0 | 1.4~1.6               | 0.8~1.6                | $\phi 8.0$ | 2.95 |         |
| SCK-16YT | 16.0 | 1.4~1.6               | 1.4~1.6                | $\phi 8.0$ | 2.9  |         |

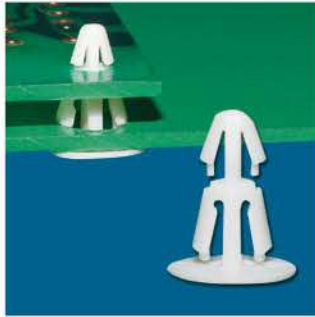


### P.C. 板間隔柱 SPACER SUPPORT 3-14-1

- MATERIAL: NYLON 66(UL)
- FLAME CLASS: 94V-2
- COLOR: NATURAL
- HOLE IN CHASSIS:  $\phi 5.5$

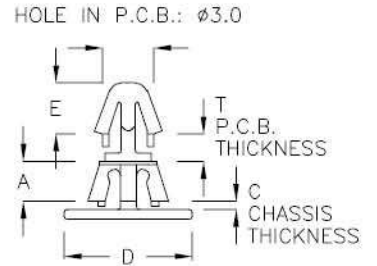


| PART NO | A    | T<br>P.C.B.<br>THICKNESS | C<br>CHASSIS<br>THICKNESS | D            | E   | PACKAGE |
|---------|------|--------------------------|---------------------------|--------------|-----|---------|
| SCE-3A  | 3.5  | 1.2~1.7                  | 1.1~1.7                   | $\phi 11.45$ | 3.6 | 1000    |
| SCE-4KD | 4.8  | 1.2~1.7                  | 1.1~1.6                   | $\phi 11.45$ | 3.6 |         |
| SCE-6   | 6.35 | 1.2~1.7                  | 1.1~1.6                   | $\phi 11.45$ | 3.6 |         |
| SCE-07  | 7.0  | 1.2~1.7                  | 1.1~1.6                   | $\phi 11.45$ | 3.6 |         |
| SCE-8   | 8.0  | 1.2~1.7                  | 1.1~1.6                   | $\phi 11.45$ | 3.6 |         |
| SCE-10  | 9.7  | 1.2~1.7                  | 1.1~1.6                   | $\phi 11.45$ | 3.6 | 500     |
| SCE-10A | 10.5 | 1.2~1.7                  | 1.1~1.6                   | $\phi 11.45$ | 3.6 |         |
| SCE-10C | 9.7  | 1.2~1.7                  | 1.1~1.6                   | $\phi 7.0$   | 3.6 |         |
| SCE-11  | 11.0 | 1.2~1.7                  | 1.1~1.6                   | $\phi 11.45$ | 3.6 |         |

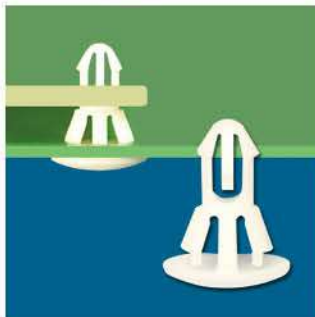


### P.C. 板間隔柱 SPACER SUPPORT 3-14-2

- MATERIAL: NYLON 66(UL)
- FLAME CLASS: 94V-2
- COLOR: NATURAL
- HOLE IN CHASSIS:  $\phi 4.0$

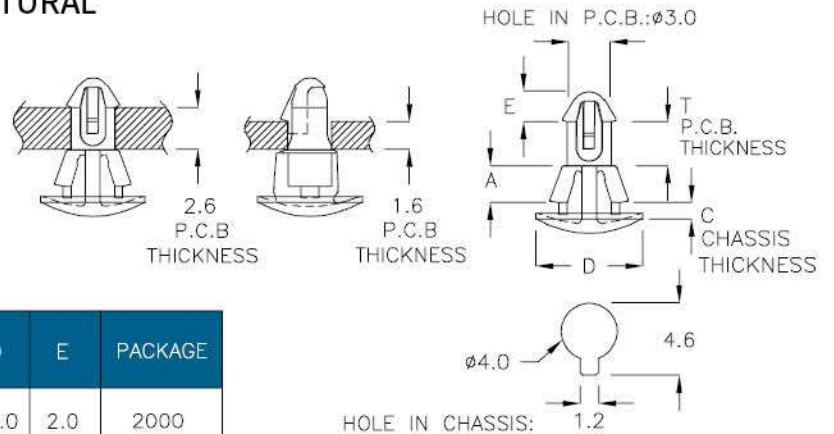


| PART NO | A   | T<br>P.C.B.<br>THICKNESS | C<br>CHASSIS<br>THICKNESS | D          | E   | PACKAGE |
|---------|-----|--------------------------|---------------------------|------------|-----|---------|
| SCG-2A  | 2.5 | 1.6                      | 0.5                       | $\phi 8.0$ | 3.2 | 2000    |
| SCG-3D  | 3.8 | 1.6                      | 0.8                       | $\phi 8.0$ | 3.2 |         |
| SCG-05  | 5.0 | 1.6                      | 0.5                       | $\phi 8.0$ | 3.2 |         |

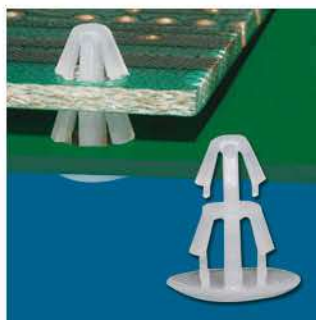


### P.C. 板間隔柱 SPACER SUPPORT 3-14-3

- MATERIAL: NYLON 66(UL)
- FLAME CLASS: 94V-2
- COLOR: NATURAL

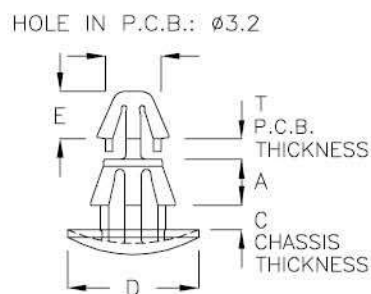


| PART NO | A   | T<br>P.C.B.<br>THICKNESS | C<br>CHASSIS<br>THICKNESS | D          | E   | PACKAGE |
|---------|-----|--------------------------|---------------------------|------------|-----|---------|
| SCZ-2M  | 2.5 | 1.6                      | 0.8~1.0                   | $\phi 7.0$ | 2.0 | 2000    |
|         |     | 2.6                      |                           |            |     |         |



### P.C. 板間隔柱 SPACER SUPPORT 3-15-1

- MATERIAL: NYLON 66(UL)
- FLAME CLASS: 94V-2
- COLOR: NATURAL
- HOLE IN CHASSIS:  $\Phi 4.0$

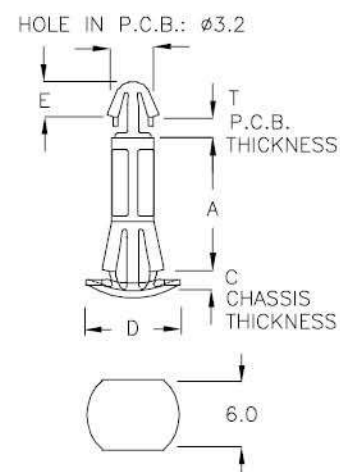


| PART NO | A   | T<br>P.C.B.<br>THICKNESS | C<br>CHASSIS<br>THICKNESS | D          | E   | PACKAGE |
|---------|-----|--------------------------|---------------------------|------------|-----|---------|
| SCK-2DM | 2.8 | 0.8~1.0                  | 1.8                       | $\Phi 8.0$ | 3.0 | 2000    |

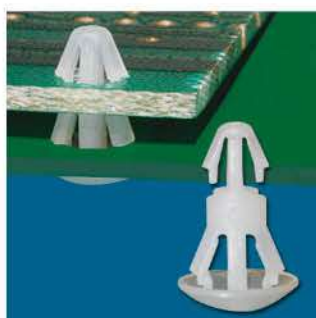


### P.C. 板間隔柱 SPACER SUPPORT 3-15-2

- MATERIAL: NYLON 66(UL)
- FLAME CLASS: 94V-2
- COLOR: NATURAL
- HOLE IN CHASSIS:  $\Phi 4.0$

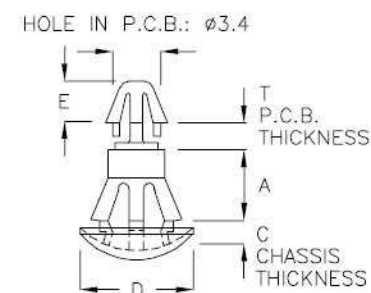


| PART NO | A    | T<br>P.C.B.<br>THICKNESS | C<br>CHASSIS<br>THICKNESS | D          | E   | PACKAGE |
|---------|------|--------------------------|---------------------------|------------|-----|---------|
| SCX-15  | 15.0 | 1.6                      | 1.0                       | $\Phi 8.0$ | 3.0 | 1000    |
| SCX-35C | 35.3 | 1.6                      | 1.0                       | $\Phi 8.0$ | 3.0 | 500     |

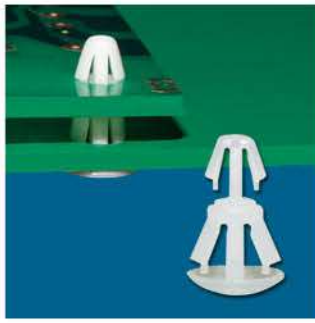


### P.C. 板間隔柱 SPACER SUPPORT 3-15-3

- MATERIAL: NYLON 66(UL)
- FLAME CLASS: 94V-2
- COLOR: NATURAL
- HOLE IN CHASSIS:  $\Phi 5.5$



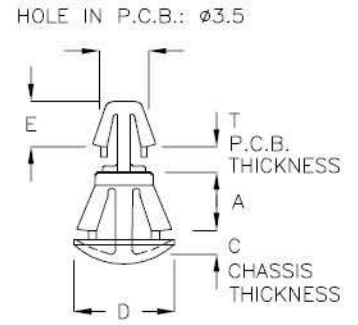
| PART NO | A   | T<br>P.C.B.<br>THICKNESS | C<br>CHASSIS<br>THICKNESS | D          | E   | PACKAGE |
|---------|-----|--------------------------|---------------------------|------------|-----|---------|
| SCW-05  | 5.0 | 1.2~1.6                  | 0.6~1.2                   | $\Phi 8.0$ | 3.0 | 1000    |



### P.C. 板間隔柱 SPACER SUPPORT

3-16-1

- MATERIAL: NYLON 66(UL)
- FLAME CLASS: 94V-2
- COLOR: NATURAL
- HOLE IN CHASSIS:  $\phi 5.5$



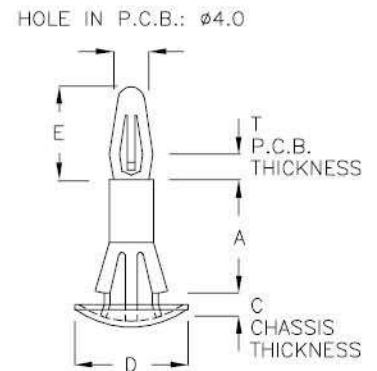
| PART NO | A    | T<br>P.C.B.<br>THICKNESS | C<br>CHASSIS<br>THICKNESS | D          | E   | PACKAGE |
|---------|------|--------------------------|---------------------------|------------|-----|---------|
| SCS-4KP | 4.5  | 1.6~1.8                  | 0.8~1.0                   | $\phi 7.8$ | 3.5 | 1000    |
| SCU-11K | 11.0 | 1.4~1.6                  | 0.8~1.2                   | $\phi 9.5$ | 2.8 |         |



### P.C. 板間隔柱 SPACER SUPPORT

3-16-2

- MATERIAL: NYLON 66(UL)
- FLAME CLASS: 94V-2
- COLOR: NATURAL
- HOLE IN CHASSIS:  $\phi 5.5$



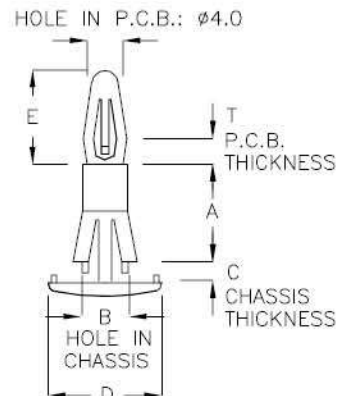
| PART NO | A    | T<br>P.C.B.<br>THICKNESS | C<br>CHASSIS<br>THICKNESS | D           | E    | PACKAGE |
|---------|------|--------------------------|---------------------------|-------------|------|---------|
| SCD-10S | 10.0 | 0.8~1.9                  | 1.0~1.6                   | $\phi 11.5$ | 9.65 | 500     |
| SCD-12S | 11.8 | 0.8~1.9                  | 1.2~2.0                   | $\phi 11.5$ | 9.65 |         |



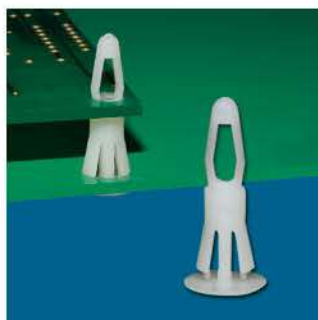
### P.C. 板間隔柱 SPACER SUPPORT

3-16-3

- MATERIAL: NYLON 66(UL)
- FLAME CLASS: 94V-2
- COLOR: NATURAL

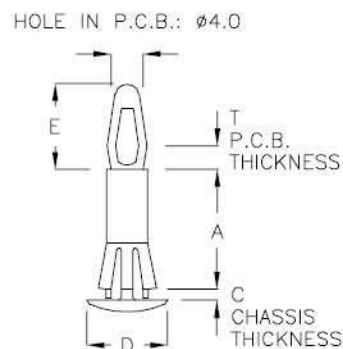


| PART NO | A    | B<br>HOLE IN<br>CHASSIS | T<br>P.C.B.<br>THICKNESS | C<br>CHASSIS<br>THICKNESS | D           | E    | PACKAGE |
|---------|------|-------------------------|--------------------------|---------------------------|-------------|------|---------|
| SCD-10  | 10.0 | $\phi 5.5$              | 1.2~1.7                  | 1.0~1.6                   | $\phi 11.4$ | 10.6 | 500     |
| SCD-12  | 12.7 | $\phi 5.5$              | 1.2~1.7                  | 1.0~1.5                   | $\phi 12.8$ | 10.6 |         |
| SCD-15K | 15.9 | $\phi 5.4$              | 1.2~1.6                  | 1.5~1.6                   | $\phi 12.7$ | 9.6  |         |



### P.C. 板間隔柱 SPACER SUPPORT 3-17-1

- MATERIAL: NYLON 66(UL)
- FLAME CLASS: 94V-2
- COLOR: NATURAL
- HOLE IN CHASSIS:  $\phi 5.5$

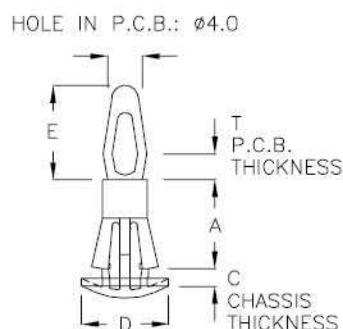


| PART NO | A    | T<br>P.C.B.<br>THICKNESS | C<br>CHASSIS<br>THICKNESS | D           | E    | PACKAGE |
|---------|------|--------------------------|---------------------------|-------------|------|---------|
| SCD-10A | 10.0 | 1.2~1.6                  | 1.0~1.1                   | $\phi 10.0$ | 10.8 | 500     |
| SCD-25  | 25.0 | 1.2~1.6                  | 1.0~1.1                   | $\phi 10.0$ | 10.6 |         |

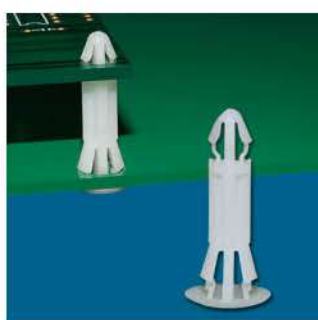


### P.C. 板間隔柱 SPACER SUPPORT 3-17-2

- MATERIAL: NYLON 66(UL)
- FLAME CLASS: 94V-2
- COLOR: BLACK
- HOLE IN CHASSIS:  $\phi 5.5$

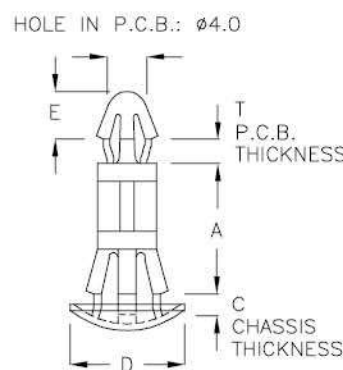


| PART NO | A    | T<br>P.C.B.<br>THICKNESS | C<br>CHASSIS<br>THICKNESS | D           | E    | PACKAGE |
|---------|------|--------------------------|---------------------------|-------------|------|---------|
| SCY-10  | 10.0 | 1.2~1.6                  | 1.2~1.6                   | $\phi 9.85$ | 10.6 | 1000    |

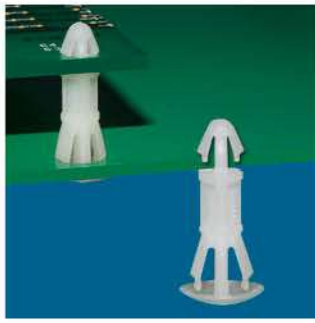


### P.C. 板間隔柱 SPACER SUPPORT 3-17-3

- MATERIAL: NYLON 66(UL)
- FLAME CLASS: 94V-2
- COLOR: NATURAL
- HOLE IN CHASSIS:  $\phi 5.5$



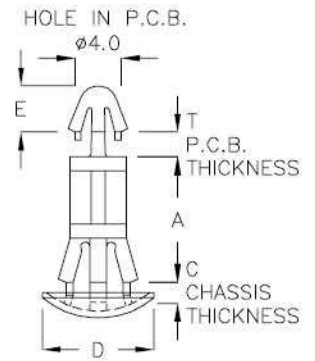
| PART NO | A    | T<br>P.C.B.<br>THICKNESS | C<br>CHASSIS<br>THICKNESS | D           | E   | PACKAGE |
|---------|------|--------------------------|---------------------------|-------------|-----|---------|
| SCT-06  | 6.0  | 1.2~1.6                  | 1.2~1.6                   | $\phi 10.0$ | 4.0 | 1000    |
| SCT-7   | 7.0  | 1.2~1.6                  | 1.3~2.0                   | $\phi 11.2$ | 4.0 |         |
| SCT-12A | 12.0 | 1.2~1.6                  | 1.1~2.0                   | $\phi 9.9$  | 4.0 |         |
| SCT-13A | 13.5 | 1.2~1.6                  | 0.8~1.6                   | $\phi 9.9$  | 4.0 |         |
| SCT-14  | 14.0 | 1.2~1.6                  | 1.3~2.0                   | $\phi 9.9$  | 4.0 |         |
| SCT-21A | 21.7 | 1.2~1.6                  | 0.8~1.6                   | $\phi 9.9$  | 4.0 | 500     |



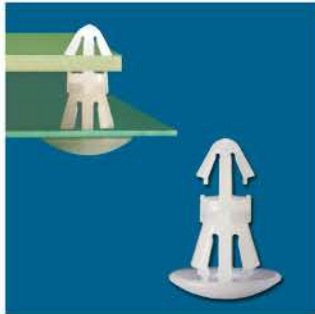
### P.C. 板間隔柱 SPACER SUPPORT

3-18-1

- MATERIAL: NYLON 66(UL)
- FLAME CLASS: 94V-2
- COLOR: NATURAL
- HOLE IN CHASSIS:  $\phi 5.5$



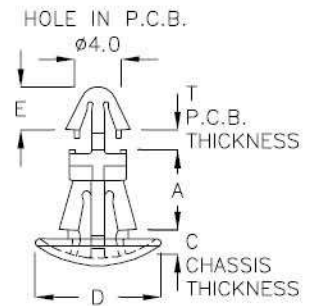
| PART NO | A    | D          | E   | C<br>CHASSIS<br>THICKNESS | T<br>P.C.B.<br>THICKNESS | PACKAGE |
|---------|------|------------|-----|---------------------------|--------------------------|---------|
| SCT-3   | 3.0  | $\phi 9.8$ | 4.0 | 0.8~1.6                   | 1.2~1.6                  | 1000    |
| SCT-3A  | 3.5  | $\phi 9.8$ | 3.6 | 0.8~1.0                   | 1.2~1.6                  |         |
| SCT-10  | 10.0 | $\phi 9.8$ | 4.5 | 1.4~2.0                   | 1.2~1.6                  |         |



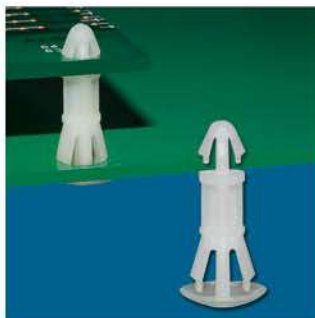
### P.C. 板間隔柱 SPACER SUPPORT

3-18-2

- MATERIAL: NYLON 66(UL)
- FLAME CLASS: 94V-2
- COLOR: NATURAL
- HOLE IN CHASSIS:  $\phi 5.5$



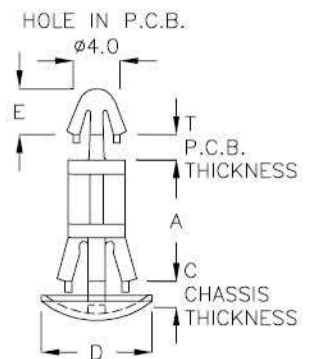
| PART NO | A    | D           | E   | C<br>CHASSIS<br>THICKNESS | T<br>P.C.B.<br>THICKNESS | PACKAGE |
|---------|------|-------------|-----|---------------------------|--------------------------|---------|
| SCT-7AF | 7.05 | $\phi 11.1$ | 3.8 | 1.3~2.2                   | 1.2~1.6                  | 1000    |



### P.C. 板間隔柱 SPACER SUPPORT

3-18-3

- MATERIAL: NYLON 66(UL)
- FLAME CLASS: 94V-2
- COLOR: NATURAL
- HOLE IN CHASSIS:  $\phi 5.5$

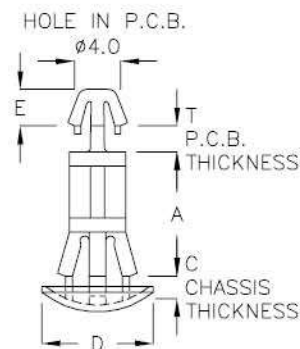


| PART NO | A    | D          | E   | C<br>CHASSIS<br>THICKNESS | T<br>P.C.B.<br>THICKNESS | PACKAGE |
|---------|------|------------|-----|---------------------------|--------------------------|---------|
| SCT-05  | 5.0  | $\phi 9.8$ | 3.8 | 1.4~2.0                   | 1.2~1.6                  | 1000    |
| SCT-6KT | 6.35 | $\phi 9.8$ | 3.8 | 1.4~2.0                   | 1.2~1.6                  |         |
| SCT-08  | 8.0  | $\phi 9.8$ | 3.8 | 1.2~1.6                   | 1.2~1.6                  |         |
| SCT-8C  | 7.9  | $\phi 9.6$ | 4.0 | 1.1~1.8                   | 1.2~1.6                  |         |
| SCT-12C | 11.9 | $\phi 9.7$ | 4.0 | 1.1~1.8                   | 1.2~1.6                  |         |
| SCT-18  | 18.0 | $\phi 9.8$ | 4.0 | 1.0~2.0                   | 1.2~1.6                  |         |
| SCT-18K | 18.0 | $\phi 9.8$ | 4.0 | 1.8~2.2                   | 1.2~1.6                  |         |

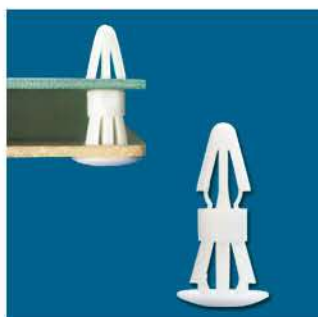


## P.C. 板間隔柱 SPACER SUPPORT ———— 3-19-1 |

- MATERIAL: NYLON 66(UL)
- FLAME CLASS: 94V-2
- COLOR: NATURAL
- HOLE IN CHASSIS:  $\phi 5.5$

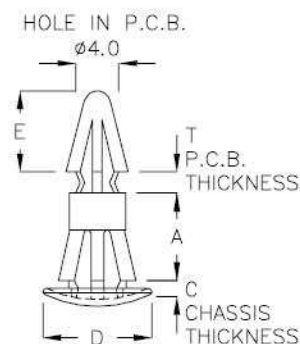


| PART NO | A    | D           | E   | C<br>CHASSIS<br>THICKNESS | T<br>P.C.B.<br>THICKNESS | PACKAGE |
|---------|------|-------------|-----|---------------------------|--------------------------|---------|
| SCT-10A | 10.0 | $\phi 10.0$ | 3.2 | 0.8~1.6                   | 1.2~1.6                  | 1000    |
| SCT-19  | 19.0 | $\phi 10.0$ | 3.2 | 0.8~1.6                   | 1.2~1.6                  |         |
| SCT-19A | 19.0 | $\phi 10.0$ | 3.4 | 0.6                       | 1.2~1.6                  |         |



## P.C. 板間隔柱 SPACER SUPPORT ———— 3-19-2 |

- MATERIAL: NYLON 66(UL)
- FLAME CLASS: 94V-2
- COLOR: NATURAL
- HOLE IN CHASSIS:  $\phi 5.5$



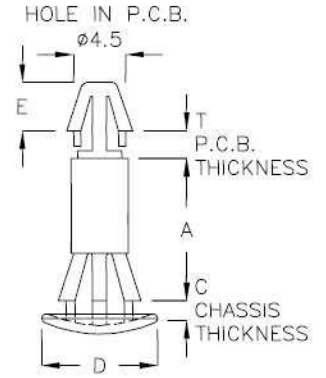
| PART NO | A    | D           | E   | C<br>CHASSIS<br>THICKNESS | T<br>P.C.B.<br>THICKNESS | PACKAGE |
|---------|------|-------------|-----|---------------------------|--------------------------|---------|
| SCB-5   | 5.0  | $\phi 10.0$ | 7.4 | 0.8~1.4                   | 1.2~1.6                  | 1000    |
| SCB-5.5 | 5.5  | $\phi 10.0$ | 7.1 | 0.8~1.7                   | 1.2~1.6                  |         |
| SCB-6   | 6.35 | $\phi 10.0$ | 7.5 | 0.8~1.2                   | 1.2~1.6                  |         |
| SCB-6A  | 6.5  | $\phi 10.2$ | 7.1 | 0.8~1.7                   | 1.4~1.8                  |         |
| SCB-6F  | 6.5  | $\phi 10.0$ | 4.9 | 1.0~1.7                   | 1.2~1.6                  |         |
| SCB-8   | 8.0  | $\phi 9.9$  | 7.1 | 0.8~1.4                   | 1.2~1.6                  |         |
| SCB-8A  | 8.0  | $\phi 10.1$ | 7.4 | 0.8~1.1                   | 1.2~1.6                  |         |
| SCB-9A  | 9.0  | $\phi 9.9$  | 7.3 | 0.8~1.4                   | 1.2~1.8                  |         |
| SCB-10  | 10.0 | $\phi 10.0$ | 7.6 | 0.8~1.2                   | 1.2~1.6                  |         |
| SCB-10A | 10.0 | $\phi 10.0$ | 7.1 | 1.0~1.4                   | 1.5~2.4                  |         |
| SCB-11F | 11.0 | $\phi 9.9$  | 7.3 | 0.8~1.2                   | 1.2~1.6                  |         |
| SCB-12  | 12.4 | $\phi 9.9$  | 7.2 | 0.8~1.4                   | 1.2~1.6                  |         |
| SCB-15  | 15.7 | $\phi 9.8$  | 7.3 | 0.8~1.4                   | 1.2~1.6                  |         |
| SCB-16  | 16.2 | $\phi 9.8$  | 6.6 | 0.7~1.2                   | 1.2~1.6                  |         |
| SCB-19  | 19.0 | $\phi 9.9$  | 7.5 | 0.8~1.4                   | 1.2~1.6                  |         |
| SCB-24  | 24.1 | $\phi 9.8$  | 7.5 | 0.8~1.4                   | 1.2~1.6                  |         |
| SCB-28A | 28.2 | $\phi 9.9$  | 6.4 | 0.8~1.0                   | 1.4~1.8                  |         |



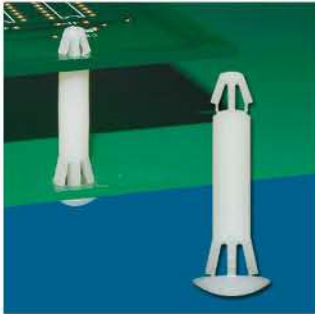
P.C. 板間隔柱 SPACER SUPPORT

3-20-1

- MATERIAL: NYLON 66(UL)
- FLAME CLASS: 94V-2
- COLOR: NATURAL
- HOLE IN CHASSIS:  $\phi 5.5$



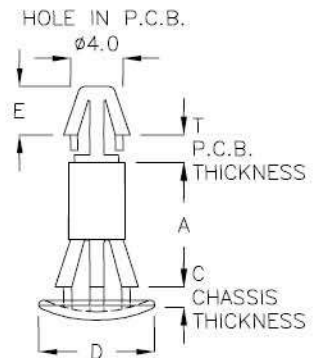
| PART NO | A    | D           | E   | C<br>CHASSIS<br>THICKNESS | T<br>P.C.B.<br>THICKNESS | PACKAGE |
|---------|------|-------------|-----|---------------------------|--------------------------|---------|
| SCC-21  | 21.0 | $\phi 10.0$ | 4.0 | 0.8~1.0                   | 1.4~1.6                  | 1000    |



P.C. 板間隔柱 SPACER SUPPORT

3-20-2

- MATERIAL: NYLON 66(UL)
- FLAME CLASS: 94V-2
- COLOR: NATURAL
- HOLE IN CHASSIS:  $\phi 5.5$



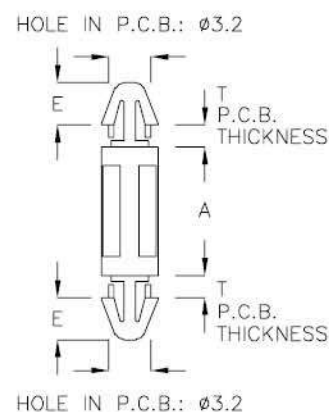
| PART NO | A    | D           | E   | C<br>CHASSIS<br>THICKNESS | T<br>P.C.B.<br>THICKNESS | PACKAGE |
|---------|------|-------------|-----|---------------------------|--------------------------|---------|
| SCC-3   | 3.5  | $\phi 11.4$ | 4.0 | 1.6~2.2                   | 1.2~1.6                  | 1000    |
| SCC-3A  | 3.2  | $\phi 11.4$ | 4.0 | 1.8~2.2                   | 1.5~1.7                  |         |
| SCC-3C  | 3.5  | $\phi 11.4$ | 4.0 | 1.8~2.3                   | 1.8~2.2                  |         |
| SCC-5   | 5.0  | $\phi 11.4$ | 4.0 | 1.6~2.2                   | 1.2~1.6                  |         |
| SCC-6   | 6.35 | $\phi 11.5$ | 4.0 | 1.6~2.2                   | 1.4~1.9                  |         |
| SCC-8   | 8.2  | $\phi 11.4$ | 4.0 | 1.6~2.2                   | 1.3~1.7                  |         |
| SCC-8D  | 7.9  | $\phi 11.5$ | 4.0 | 1.6~2.2                   | 1.3~1.7                  |         |
| SCC-10  | 10.0 | $\phi 11.5$ | 4.0 | 1.6~2.2                   | 1.4~1.8                  |         |
| SCC-10A | 10.1 | $\phi 11.5$ | 4.0 | 1.6~2.2                   | 1.8~2.2                  |         |
| SCC-10C | 10.0 | $\phi 11.5$ | 4.0 | 1.6~2.2                   | 2.8~3.2                  |         |
| SCC-12  | 12.8 | $\phi 11.4$ | 4.0 | 1.6~2.2                   | 1.2~1.6                  |         |
| SCC-15  | 15.7 | $\phi 11.4$ | 4.0 | 1.6~2.2                   | 1.3~1.7                  |         |
| SCC-19  | 19.1 | $\phi 11.4$ | 4.0 | 1.6~1.8                   | 1.3~1.7                  |         |
| SCC-19A | 19.1 | $\phi 11.4$ | 4.0 | 1.6~2.2                   | 1.6~2.0                  |         |
| SCC-20  | 20.0 | $\phi 11.5$ | 4.0 | 1.6~2.2                   | 1.2~1.6                  | 500     |
| SCC-24  | 23.8 | $\phi 11.4$ | 4.0 | 1.6~2.0                   | 1.3~1.7                  |         |
| SCC-26A | 25.8 | $\phi 11.4$ | 4.0 | 1.7~2.3                   | 1.4~1.6                  |         |
| SCC-32  | 32.0 | $\phi 11.4$ | 4.0 | 1.7~2.3                   | 1.4~1.6                  |         |



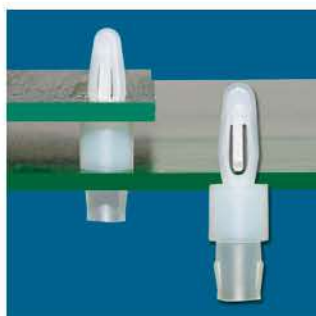


### P.C. 板間隔柱 SPACER SUPPORT 3-41-1

- MATERIAL: NYLON 66(UL)
- FLAME CLASS: 94V-2
- COLOR: NATURAL

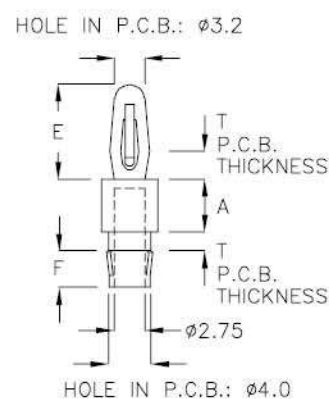


| PART NO | A    | T<br>P.C.B.<br>THICKNESS | E   | PACKAGE |
|---------|------|--------------------------|-----|---------|
| MCU-10  | 10.3 | 1.4 ~ 1.6                | 3.4 | 2000    |



### P.C. 板間隔柱 SPACER SUPPORT 3-41-2

- MATERIAL: NYLON 66(UL)
- FLAME CLASS: 94V-2
- COLOR: NATURAL

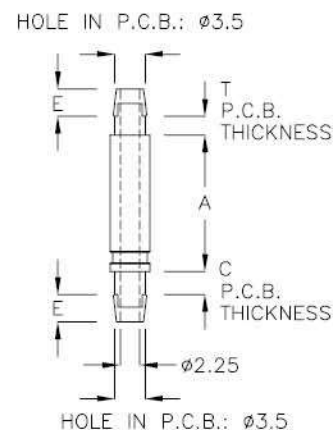


| PART NO | A   | T<br>P.C.B.<br>THICKNESS | E   | F   | PACKAGE |
|---------|-----|--------------------------|-----|-----|---------|
| TCU-4A  | 4.8 | 1.4 ~ 1.6                | 8.7 | 3.3 | 2000    |

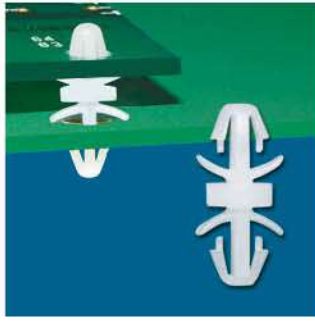


### P.C. 板間隔柱 SPACER SUPPORT 3-41-3

- MATERIAL: NYLON 66(UL)
- FLAME CLASS: 94V-2
- COLOR: NATURAL



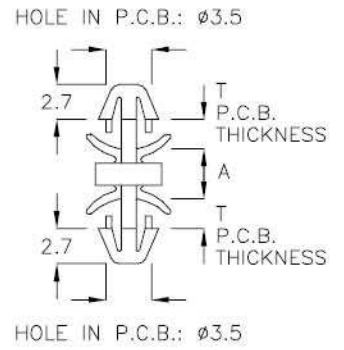
| PART NO | A    | T<br>P.C.B.<br>THICKNESS | C<br>P.C.B.<br>THICKNESS | E   | PACKAGE |
|---------|------|--------------------------|--------------------------|-----|---------|
| LCQ-15A | 15.6 | 1.8 ~ 2.0                | 2.3 ~ 2.5                | 3.1 | 1000    |



**P.C. 板間隔柱 SPACER SUPPORT 3-42-1**

- MATERIAL: NYLON 66(UL)
- FLAME CLASS: 94V-2
- COLOR: NATURAL

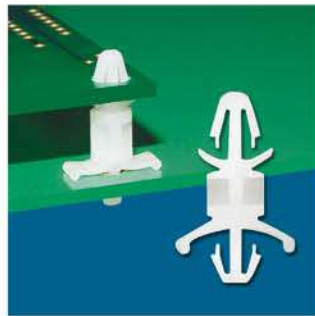
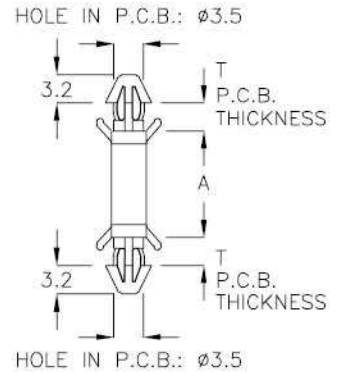
| PART NO | A   | T<br>P.C.B.<br>THICKNESS | PACKAGE |
|---------|-----|--------------------------|---------|
| LBC-4A  | 5.0 | 1.2~1.6                  | 1000    |



**P.C. 板間隔柱 SPACER SUPPORT 3-42-2**

- MATERIAL: NYLON 66(UL)
- FLAME CLASS: 94V-2
- COLOR: NATURAL, BLACK

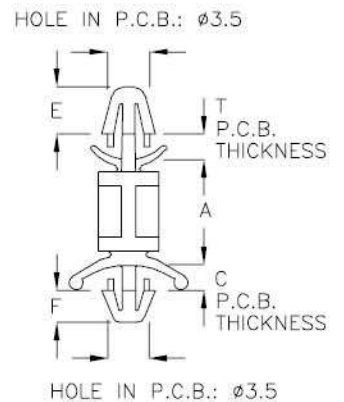
| PART NO   | A    | T<br>P.C.B.<br>THICKNESS | PACKAGE |
|-----------|------|--------------------------|---------|
| LCA35-13C | 13.6 | 2.0~2.75                 | 1000    |

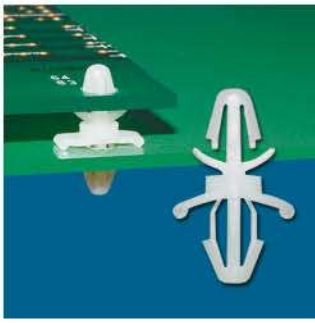


**P.C. 板間隔柱 SPACER SUPPORT 3-42-3**

- MATERIAL: NYLON 66(UL)
- FLAME CLASS: 94V-2
- COLOR: NATURAL

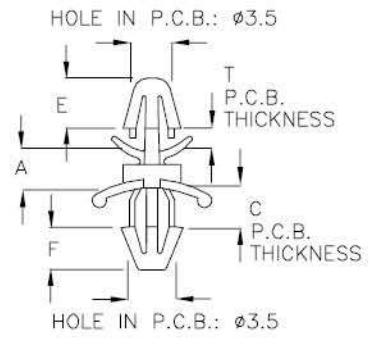
| PART NO | A    | T<br>P.C.B.<br>THICKNESS | C<br>P.C.B.<br>THICKNESS | E   | F   | PACKAGE |
|---------|------|--------------------------|--------------------------|-----|-----|---------|
| LBC-03  | 3.0  | 1.0~1.6                  | 0.8~1.6                  | 4.0 | 2.8 | 1000    |
| LBC-04  | 4.0  | 1.0~1.6                  | 0.8~1.6                  | 4.0 | 2.8 |         |
| LBC-5A  | 5.0  | 1.0~1.6                  | 0.8~1.6                  | 4.0 | 2.8 |         |
| LBC-05  | 5.35 | 1.0~1.6                  | 0.8~1.6                  | 4.0 | 2.8 |         |
| LBC-6A  | 6.35 | 1.0~1.6                  | 0.8~1.6                  | 4.0 | 2.8 |         |
| LBC-06  | 6.75 | 1.0~1.6                  | 0.8~1.6                  | 4.0 | 2.8 |         |
| LBC-07  | 7.0  | 1.0~1.6                  | 0.8~1.6                  | 4.0 | 2.8 |         |
| LBC-7A  | 7.5  | 1.2~1.7                  | 0.8~1.6                  | 4.0 | 2.5 |         |
| LBC-8A  | 8.0  | 1.0~1.6                  | 0.8~1.6                  | 4.0 | 2.8 |         |
| LBC-08  | 8.35 | 1.0~1.6                  | 0.8~1.6                  | 4.0 | 2.8 |         |
| LBC-09  | 9.60 | 1.0~1.6                  | 0.8~2.0                  | 4.0 | 2.4 |         |
| LBC-11  | 11.2 | 1.0~1.6                  | 0.8~2.0                  | 4.0 | 2.4 |         |
| LBC-12  | 12.7 | 1.0~1.6                  | 0.8~2.0                  | 4.0 | 2.4 |         |
| LBC-16  | 16.0 | 1.0~1.6                  | 0.8~2.0                  | 4.0 | 2.4 |         |



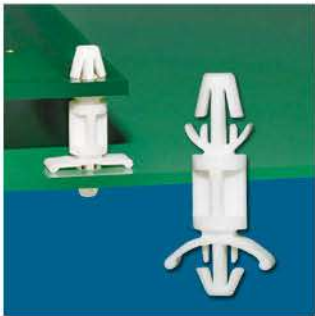


**P.C. 板間隔柱 SPACER SUPPORT | 3-43-1 |**

- MATERIAL: NYLON 66(UL)
- FLAME CLASS: 94V-2
- COLOR: NATURAL

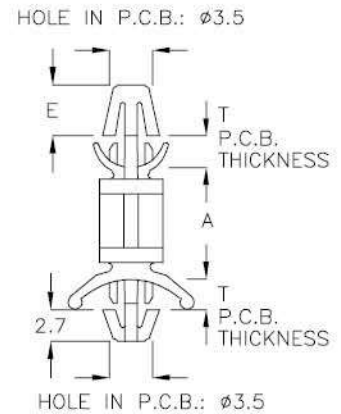


| PART NO | A   | T<br>P.C.B.<br>THICKNESS | C<br>P.C.B.<br>THICKNESS | E   | F   | PACKAGE |
|---------|-----|--------------------------|--------------------------|-----|-----|---------|
| LBC-3A  | 3.4 | 1.0~1.6                  | 2.0~2.4                  | 4.0 | 3.4 | 1000    |

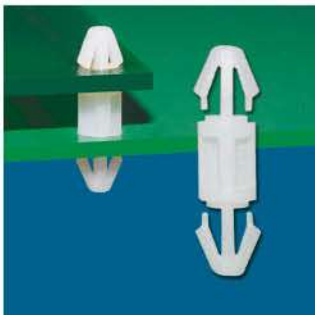


**P.C. 板間隔柱 SPACER SUPPORT | 3-43-2 |**

- MATERIAL: NYLON 66(UL)
- FLAME CLASS: 94V-2
- COLOR: NATURAL

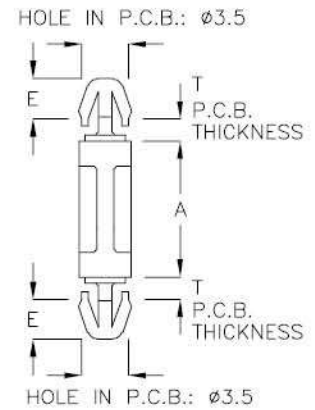


| PART NO | A   | T<br>P.C.B.<br>THICKNESS | E   | PACKAGE |
|---------|-----|--------------------------|-----|---------|
| LBC-10  | 9.6 | 0.8~1.6                  | 4.0 | 1000    |

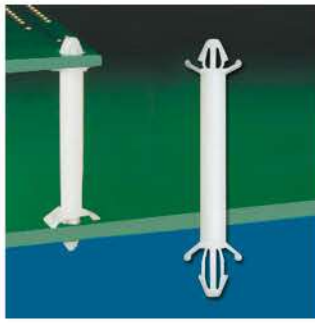


**P.C. 板間隔柱 SPACER SUPPORT | 3-43-3 |**

- MATERIAL: NYLON 66(UL)
- FLAME CLASS: 94V-2
- COLOR: NATURAL



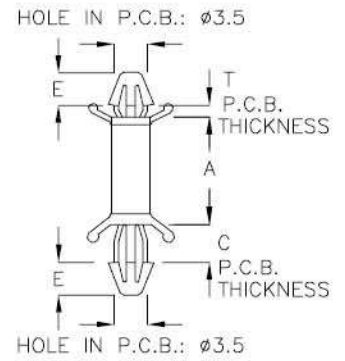
| PART NO | A    | T<br>P.C.B.<br>THICKNESS | E    | PACKAGE |
|---------|------|--------------------------|------|---------|
| MCE-2A  | 2.5  | 1.4~1.8                  | 3.75 | 2000    |
| MCE-03  | 3.0  | 1.4~1.8                  | 3.7  |         |
| MCE-3A  | 3.5  | 1.4~1.8                  | 3.75 |         |
| MCE-4   | 4.0  | 1.4~1.8                  | 3.7  |         |
| MCE-4A  | 4.5  | 1.4~1.8                  | 3.75 |         |
| MCE-05  | 5.0  | 1.4~1.8                  | 3.7  |         |
| MCE-5A  | 5.5  | 1.4~1.8                  | 3.75 |         |
| MCE-6A  | 6.0  | 1.4~1.8                  | 3.75 |         |
| MCE-6   | 6.35 | 1.4~1.8                  | 3.7  |         |
| MCE-07  | 7.0  | 1.4~1.8                  | 3.7  |         |
| MCE-7A  | 7.0  | 1.4~1.8                  | 2.8  |         |
| MCE-8   | 8.0  | 1.4~1.8                  | 3.7  |         |
| MCE-10  | 9.7  | 1.4~1.8                  | 3.7  |         |
| MCE-12  | 12.7 | 1.4~1.8                  | 3.7  |         |
| MCE-15A | 15.0 | 1.4~1.6                  | 2.8  |         |



### P.C. 板間隔柱 SPACER SUPPORT

3-44-1

- MATERIAL: NYLON 66(UL)
- FLAME CLASS: 94V-2
- COLOR: NATURAL



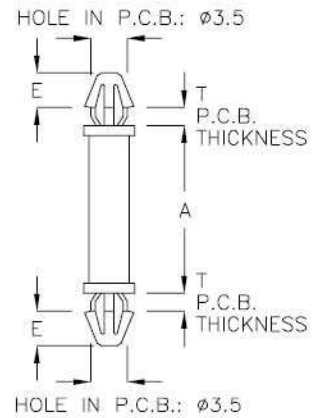
| PART NO | A    | E   | T<br>P.C.B.<br>THICKNESS | C<br>P.C.B.<br>THICKNESS | PACKAGE |
|---------|------|-----|--------------------------|--------------------------|---------|
| LMA-3A  | 3.6  | 3.2 | 0.8~1.6                  | 2.0~2.6                  | 1000    |
| LMA-27  | 27.5 | 3.5 | 0.4~1.1                  | 2.5~3.6                  | 500     |



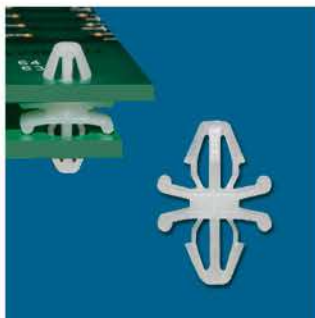
### P.C. 板間隔柱 SPACER SUPPORT

3-44-2

- MATERIAL: NYLON 66(UL)
- FLAME CLASS: 94V-2
- COLOR: NATURAL



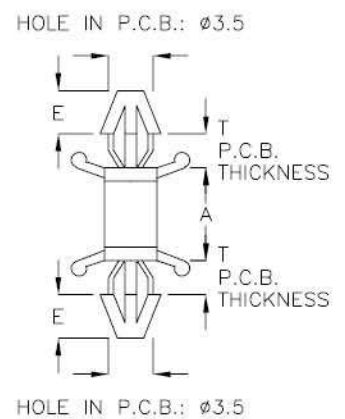
| PART NO | A    | T<br>P.C.B.<br>THICKNESS | E   | PACKAGE |
|---------|------|--------------------------|-----|---------|
| MCW-20  | 20.0 | 1.2~1.6                  | 3.4 | 1000    |



### P.C. 板間隔柱 SPACER SUPPORT

3-44-3

- MATERIAL: NYLON 66(UL)
- FLAME CLASS: 94V-2
- COLOR: NATURAL

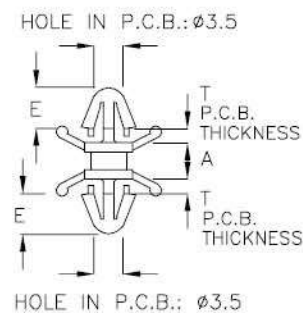


| PART NO  | A    | T<br>P.C.B.<br>THICKNESS | E   | PACKAGE |
|----------|------|--------------------------|-----|---------|
| LCA35-3  | 2.1  | 0.8~2.0                  | 3.5 | 1000    |
| LCA35-3A | 3.0  | 0.8~2.0                  | 3.4 |         |
| LCA35-3M | 3.5  | 0.8~2.0                  | 3.4 |         |
| LCA35-4  | 4.0  | 0.8~2.0                  | 3.4 |         |
| LCA35-5  | 4.8  | 0.8~2.0                  | 3.5 |         |
| LCA35-5M | 5.5  | 0.8~2.0                  | 3.4 |         |
| LCA35-7  | 7.0  | 0.8~2.0                  | 3.5 |         |
| LCA35-10 | 10.0 | 0.8~2.0                  | 3.5 |         |
| LCA35-18 | 18.0 | 1.1~1.7                  | 3.5 |         |
| LCA35-20 | 20.0 | 1.0~1.6                  | 3.5 |         |
| LCA35-21 | 20.8 | 1.2~1.6                  | 3.5 |         |
| LCA35-25 | 25.0 | 1.4~1.6                  | 3.4 |         |

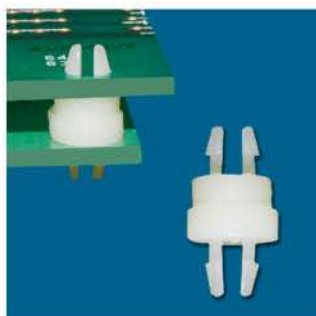


**P.C. 板間隔柱 SPACER SUPPORT 3-45-1**

- MATERIAL: NYLON 66(UL)
- FLAME CLASS: 94V-2
- COLOR: NATURAL,BLACK

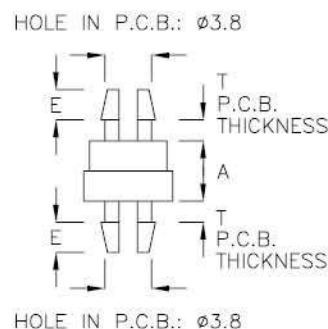


| PART NO  | A    | T<br>P.C.B.<br>THICKNESS | E   | PACKAGE |
|----------|------|--------------------------|-----|---------|
| LCA35-3H | 3.05 | 0.3~0.6                  | 3.4 | 1000    |



**P.C. 板間隔柱 SPACER SUPPORT 3-45-2**

- MATERIAL: NYLON 66(UL)
- FLAME CLASS: 94V-2
- COLOR: NATURAL

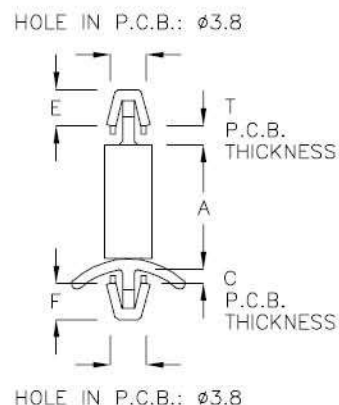


| PART NO | A   | T<br>P.C.B.<br>THICKNESS | E   | PACKAGE |
|---------|-----|--------------------------|-----|---------|
| UCB-5A  | 4.8 | 1.4 ~ 1.6                | 2.6 | 2000    |

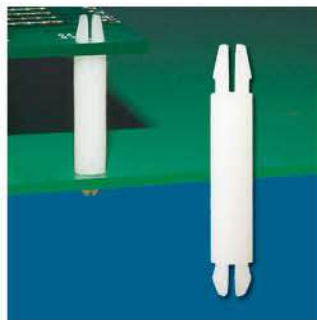


**P.C. 板間隔柱 SPACER SUPPORT 3-45-3**

- MATERIAL: NYLON 66(UL)
- FLAME CLASS: 94V-2
- COLOR: NATURAL



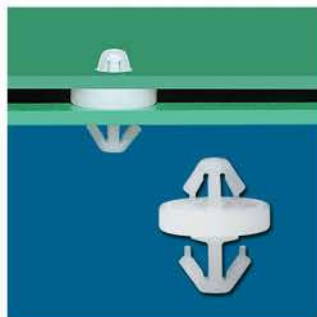
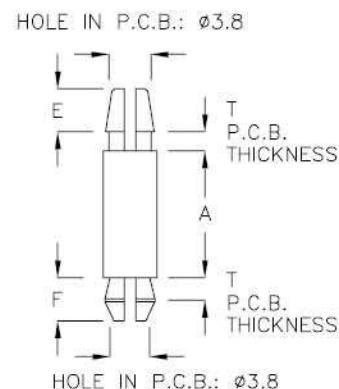
| PART NO | A    | T<br>P.C.B.<br>THICKNESS | C<br>P.C.B.<br>THICKNESS | E   | F   | PACKAGE |
|---------|------|--------------------------|--------------------------|-----|-----|---------|
| LCF-18A | 17.8 | 1.4 ~ 1.6                | 0.6~1.0                  | 3.5 | 3.6 | 1000    |



**P.C. 板間隔柱 SPACER SUPPORT 3-46-1**

- MATERIAL: NYLON 66(UL)
- FLAME CLASS: 94V-2
- COLOR: NATURAL

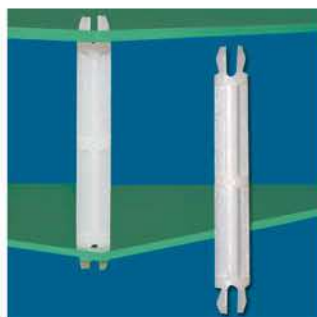
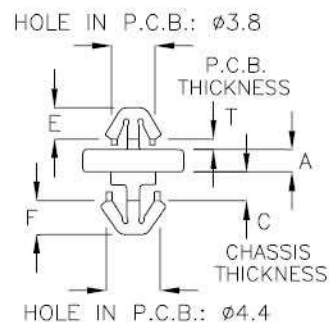
| PART NO | A    | T<br>P.C.B.<br>THICKNESS | E   | F   | PACKAGE |
|---------|------|--------------------------|-----|-----|---------|
| MCB-19K | 19.0 | 1.4~1.6                  | 4.0 | 3.8 | 1000    |



**P.C. 板間隔柱 SPACER SUPPORT 3-46-2**

- MATERIAL: NYLON 66(UL)
- FLAME CLASS: 94V-2
- COLOR: NATURAL

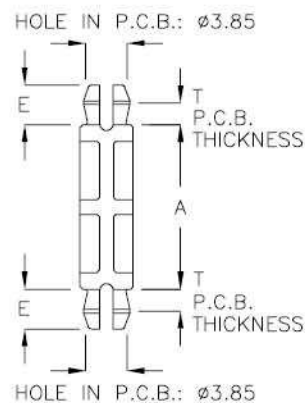
| PART NO  | A   | T<br>P.C.B.<br>THICKNESS | C<br>CHASSIS<br>THICKNESS | E   | F   | PACKAGE |
|----------|-----|--------------------------|---------------------------|-----|-----|---------|
| MCQA-2HC | 2.0 | 0.8                      | 2.2                       | 2.8 | 3.0 | 2000    |

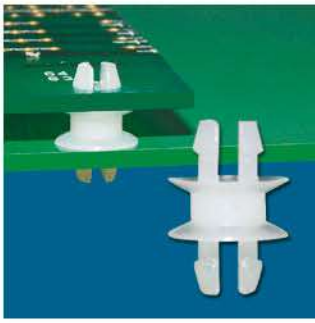


**P.C. 板間隔柱 SPACER SUPPORT 3-46-3**

- MATERIAL: NYLON 66(UL)
- FLAME CLASS: 94V-2
- COLOR: NATURAL

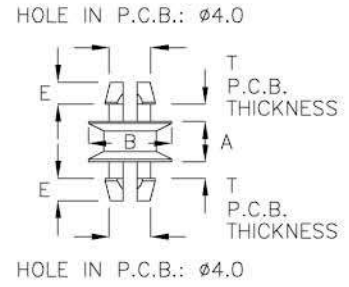
| PART NO  | A    | T<br>P.C.B.<br>THICKNESS | E   | PACKAGE |
|----------|------|--------------------------|-----|---------|
| UCH-29AM | 29.0 | 1.0~1.6                  | 3.6 | 500     |



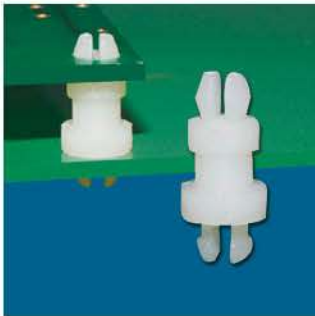


**P.C. 板間隔柱 SPACER SUPPORT 3-47-1**

- MATERIAL: NYLON 66(UL)
- FLAME CLASS: 94V-2
- COLOR: NATURAL

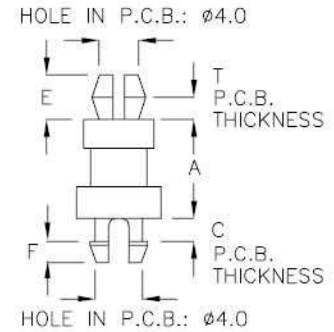


| PART NO | A   | B    | T<br>P.C.B.<br>THICKNESS | E   | PACKAGE |
|---------|-----|------|--------------------------|-----|---------|
| MCR-3A  | 3.6 | ø7.4 | 1.4 ~ 1.6                | 2.0 | 2000    |

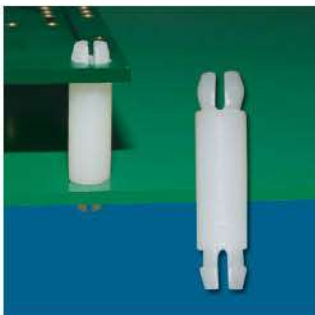


**P.C. 板間隔柱 SPACER SUPPORT 3-47-2**

- MATERIAL: NYLON 66(UL)
- FLAME CLASS: 94V-2
- COLOR: NATURAL

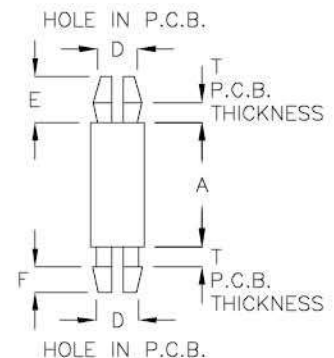


| PART NO | A   | T<br>P.C.B.<br>THICKNESS | C<br>P.C.B.<br>THICKNESS | E   | F   | PACKAGE |
|---------|-----|--------------------------|--------------------------|-----|-----|---------|
| MCB-8A  | 7.9 | 1.0~1.6                  | 1.4~1.6                  | 3.6 | 2.0 | 2000    |

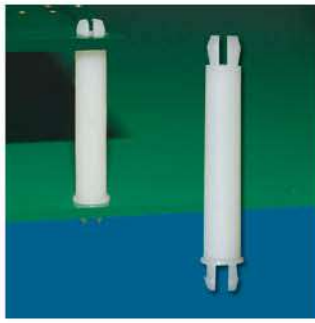


**P.C. 板間隔柱 SPACER SUPPORT 3-47-3**

- MATERIAL: NYLON 66(UL)
- FLAME CLASS: 94V-2
- COLOR: NATURAL



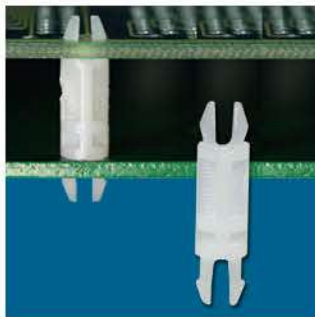
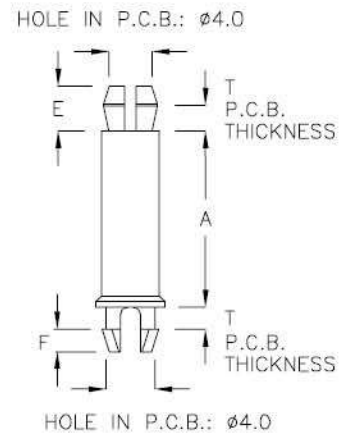
| PART NO | A    | D<br>HOLE IN<br>CHASSIS | E       | F   | T<br>P.C.B.<br>THICKNESS | PACKAGE |
|---------|------|-------------------------|---------|-----|--------------------------|---------|
| MCB-3   | 3.2  | ø4.0                    | 3.6~3.8 | 2.1 | 0.8~1.6                  | 2000    |
| MCB-6   | 6.35 | ø4.0                    | 3.6~3.8 | 2.2 | 0.8~1.6                  |         |
| MCB-8   | 8.2  | ø4.0                    | 3.6~3.8 | 2.2 | 0.8~1.6                  |         |
| MCB-10  | 10.5 | ø4.0                    | 3.6~3.8 | 2.1 | 0.8~1.6                  |         |
| MCB-12  | 12.7 | ø4.0                    | 3.6~3.8 | 2.2 | 0.8~1.6                  |         |
| MCB-15  | 15.7 | ø4.0                    | 3.6~3.8 | 2.2 | 0.8~1.6                  | 1000    |
| MCB-19  | 19.1 | ø4.0                    | 3.6~3.8 | 2.2 | 0.8~1.6                  |         |
| MCB-28  | 28.5 | ø3.85                   | 3.6~3.8 | 1.9 | 1.4~1.6                  |         |
| MCB-30A | 30.7 | ø3.85                   | 3.6~3.8 | 1.8 | 0.8~1.6                  |         |



**P.C. 板間隔柱 SPACER SUPPORT 3-48-1**

- MATERIAL: NYLON 66(UL)
- FLAME CLASS: 94V-2
- COLOR: NATURAL

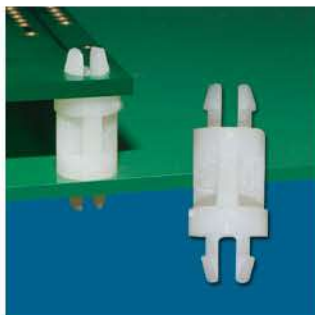
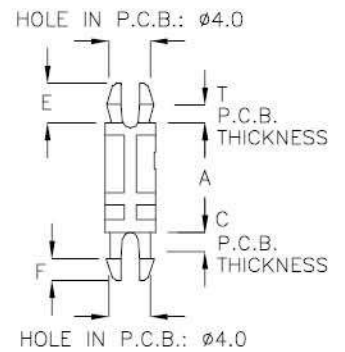
| PART NO | A    | T<br>P.C.B.<br>THICKNESS | E   | F   | PACKAGE |
|---------|------|--------------------------|-----|-----|---------|
| MCB-24  | 24.1 | 1.2~1.6                  | 3.6 | 1.9 | 1000    |



**P.C. 板間隔柱 SPACER SUPPORT 3-48-2**

- MATERIAL: NYLON 66(UL)
- FLAME CLASS: 94V-2
- COLOR: NATURAL

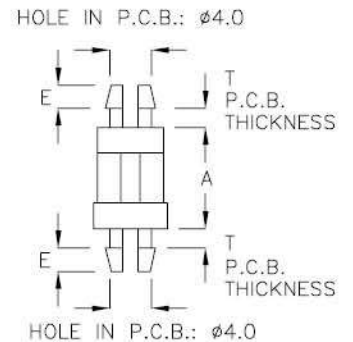
| PART NO | A    | T<br>P.C.B.<br>THICKNESS | C<br>P.C.B.<br>THICKNESS | E   | F   | PACKAGE |
|---------|------|--------------------------|--------------------------|-----|-----|---------|
| MCB-10K | 10.5 | 0.8                      | 2.2~2.3                  | 3.8 | 2.1 | 2000    |



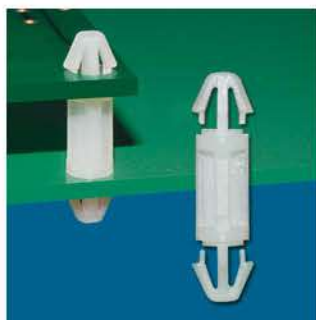
**P.C. 板間隔柱 SPACER SUPPORT 3-48-3**

- MATERIAL: NYLON 66(UL)
- FLAME CLASS: 94V-2
- COLOR: NATURAL

| PART NO | A   | T<br>P.C.B.<br>THICKNESS | E   | PACKAGE |
|---------|-----|--------------------------|-----|---------|
| UCB-9M  | 9.5 | 1.2~1.6                  | 2.4 | 1000    |

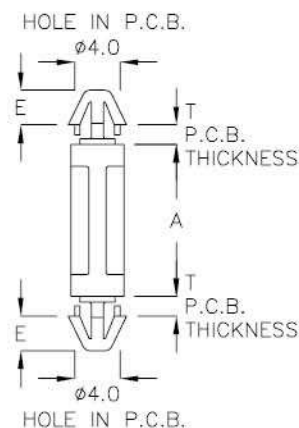






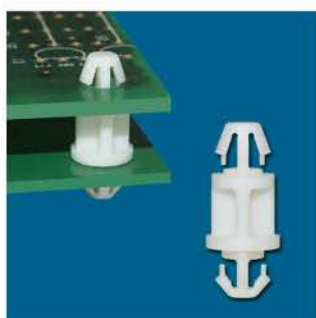
### P.C. 板間隔柱 SPACER SUPPORT 3-49-1

- MATERIAL: NYLON 66(UL)
- FLAME CLASS: 94V-2
- COLOR: NATURAL



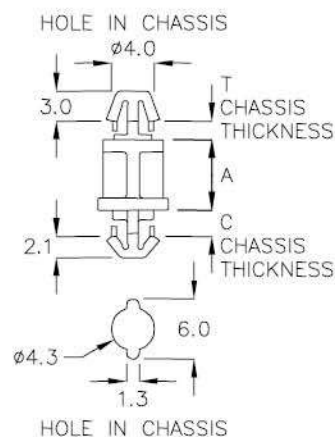
| PART NO | A    | E   | T<br>P.C.B.<br>THICKNESS | PACKAGE |
|---------|------|-----|--------------------------|---------|
| KCA-2M  | 2.5  | 3.0 | 1.4~1.6                  | 2000    |
| KCA-3   | 3.2  | 3.6 | 1.4~1.6                  |         |
| KCA-04  | 4.0  | 3.8 | 1.4~1.6                  |         |
| KCA-4A  | 4.5  | 3.6 | 1.4~1.6                  |         |
| KCA-5   | 5.0  | 3.6 | 1.4~1.6                  |         |
| KCA-5A  | 5.5  | 3.6 | 1.4~1.6                  | 1000    |
| KCA-6   | 6.35 | 3.6 | 1.4~1.6                  |         |
| KCA-07  | 7.0  | 3.0 | 1.2~1.7                  |         |
| KCA-7A  | 7.5  | 3.6 | 1.4~1.6                  |         |
| KCA-8   | 8.0  | 3.6 | 1.4~1.6                  |         |
| KCA-9   | 9.5  | 3.6 | 1.4~1.6                  |         |
| KCA-10  | 10.5 | 3.6 | 1.4~1.6                  |         |
| KCA-11  | 11.0 | 3.6 | 1.4~1.6                  |         |
| KCA-12  | 12.7 | 3.6 | 1.4~1.6                  |         |
| KCA-12S | 12.7 | 3.2 | 1.4~1.6                  |         |

| PART NO | A    | E    | T<br>P.C.B.<br>THICKNESS | PACKAGE |
|---------|------|------|--------------------------|---------|
| KCA-14  | 14.0 | 3.0  | 1.4~1.6                  | 1000    |
| KCA-15  | 15.7 | 3.6  | 1.4~1.6                  |         |
| KCA-15L | 15.9 | 3.0  | 1.2~1.7                  |         |
| KCA-19  | 19.0 | 3.6  | 1.4~1.6                  |         |
| KCA-20  | 19.9 | 3.6  | 1.4~1.6                  |         |
| KCA-25  | 25.0 | 3.7  | 1.4~1.6                  | 500     |
| KCA-28A | 28.5 | 3.5  | 1.4~1.6                  |         |
| KCA-30  | 30.0 | 3.7  | 1.4~1.6                  |         |
| KCA-34  | 34.0 | 3.6  | 1.4~1.6                  |         |
| KCA-34A | 34.0 | 3.6  | 1.4~1.6                  |         |
| KCA-40A | 40.4 | 3.6  | 1.4~1.6                  | 200     |
| KCA-47  | 47.0 | 3.25 | 1.4~1.6                  |         |
| KCA-69  | 69.0 | 3.7  | 1.4~1.6                  |         |
| KCA-80  | 80.0 | 3.0  | 1.4~1.6                  |         |



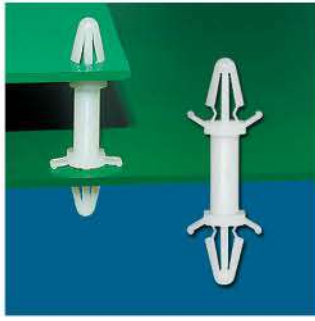
### P.C. 板間隔柱 SPACER SUPPORT 3-49-2

- MATERIAL: NYLON 66(UL)
- FLAME CLASS: 94V-0
- COLOR: NATURAL



Built-In Anti-Spin Function

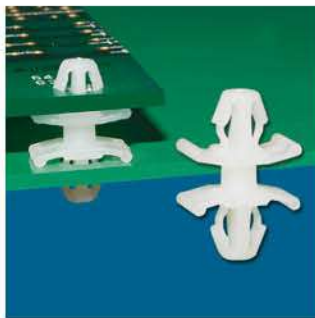
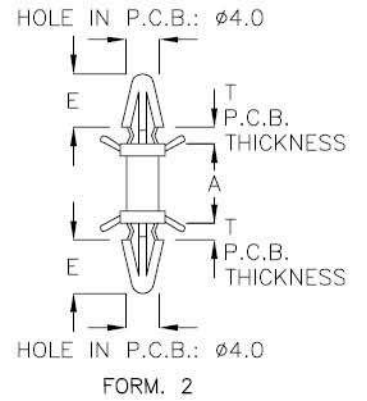
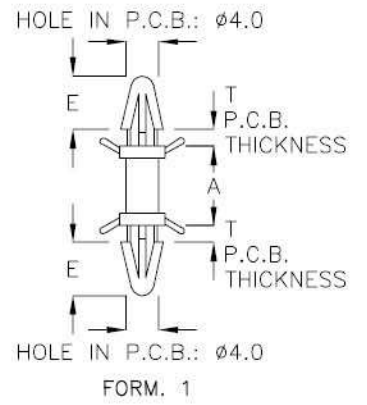
| PART NO | A   | C<br>CHASSIS<br>THICKNESS | T<br>CHASSIS<br>THICKNESS | PACKAGE |
|---------|-----|---------------------------|---------------------------|---------|
| MQT-7CL | 7.0 | 2.36                      | 1.6                       | 2000    |



P.C. 板間隔柱 SPACER SUPPORT ———— 3-50-1

- MATERIAL: NYLON 66(UL)
- FLAME CLASS: 94V-2
- COLOR: NATURAL

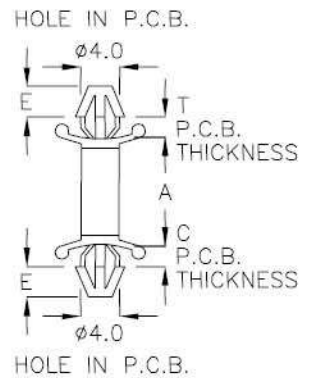
| PART NO  | A    | T<br>P.C.B.<br>THICKNESS | E   | FORM | PACKAGE |
|----------|------|--------------------------|-----|------|---------|
| LCAS-3   | 3.5  | 0.8~1.8                  | 7.0 | 1    | 1000    |
| LCAS-10  | 10.5 | 0.8~1.8                  | 7.0 | 1    |         |
| LCAS-15  | 14.8 | 0.8~1.8                  | 7.0 | 2    |         |
| LCAS-16M | 16.6 | 0.8~1.8                  | 7.0 | 2    |         |
| LCAS-44  | 44.0 | 0.8~1.8                  | 6.0 | 2    | 200     |
| LCBS-48  | 47.8 | 0.8~1.8                  | 7.0 | 2    |         |



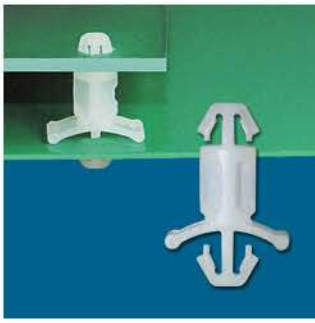
P.C. 板間隔柱 SPACER SUPPORT ———— 3-50-2

- MATERIAL: NYLON 66(UL)
- FLAME CLASS: 94V-2
- COLOR: NATURAL

| PART NO  | A    | T<br>P.C.B.<br>THICKNESS | C<br>P.C.B.<br>THICKNESS | E   | PACKAGE |
|----------|------|--------------------------|--------------------------|-----|---------|
| LCA4-4   | 4.0  | 1.0~1.6                  | 1.0~1.6                  | 3.4 | 1000    |
| LCA4-5   | 4.8  | 1.6~1.9                  | 1.6~1.9                  | 3.0 |         |
| LCA4-6   | 6.0  | 1.0~1.6                  | 1.0~1.6                  | 3.4 |         |
| LCA4-7   | 7.0  | 1.0~1.6                  | 1.0~1.6                  | 3.4 |         |
| LCA4-8   | 7.1  | 1.2~1.8                  | 1.2~1.8                  | 3.6 |         |
| LCA4-8A  | 7.6  | 2.5~3.0                  | 2.5~3.0                  | 2.6 |         |
| LCA4-9   | 8.8  | 1.6~2.0                  | 1.6~2.0                  | 3.0 |         |
| LCA4-10  | 10.0 | 1.2~2.0                  | 1.2~2.0                  | 3.6 |         |
| LCA4-10A | 10.4 | 1.1~1.8                  | 1.6~3.1                  | 3.6 |         |
| LCA4-12  | 13.1 | 1.1~2.0                  | 1.1~2.0                  | 3.6 |         |
| LCA4-15  | 15.9 | 1.1~2.0                  | 1.1~2.0                  | 3.6 |         |
| LCA4-16  | 16.2 | 1.3~2.2                  | 1.3~2.2                  | 3.6 |         |



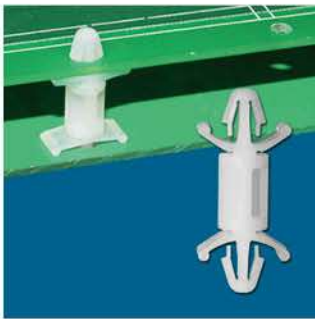
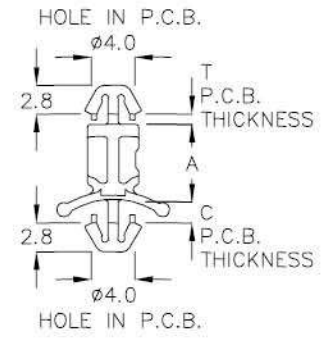
| PART NO  | A    | T<br>P.C.B.<br>THICKNESS | C<br>P.C.B.<br>THICKNESS | E   | PACKAGE |
|----------|------|--------------------------|--------------------------|-----|---------|
| LCA4-17  | 17.2 | 1.1~2.0                  | 1.1~2.0                  | 3.6 | 1000    |
| LCA4-20A | 19.6 | 1.1~2.0                  | 1.7~3.5                  | 3.6 | 500     |
| LCA4-29M | 29.8 | 1.0~1.7                  | 1.0~1.7                  | 3.6 |         |
| LCA4-31  | 30.8 | 1.0~1.7                  | 1.0~1.7                  | 3.6 |         |
| LCA4-34A | 34.0 | 1.1~1.9                  | 1.6~3.1                  | 3.6 |         |
| LCA4-34C | 34.0 | 0.8~2.0                  | 1.7~3.5                  | 3.6 |         |
| LCA4-36  | 36.0 | 2.0~3.0                  | 2.0~3.0                  | 3.6 |         |
| LCA4-36A | 35.3 | 2.5~3.8                  | 2.5~3.8                  | 3.6 |         |
| LCA4-44  | 43.6 | 0.8~1.9                  | 0.8~1.9                  | 3.6 | 200     |
| LCA4-55  | 55.0 | 0.8~1.8                  | 0.8~1.8                  | 3.6 |         |
| LCA4-56  | 56.4 | 1.0~1.6                  | 1.0~1.6                  | 3.6 |         |



**P.C. 板間隔柱 SPACER SUPPORT 3-51-1**

- MATERIAL: NYLON 66(UL)
- FLAME CLASS: 94V-2
- COLOR: NATURAL

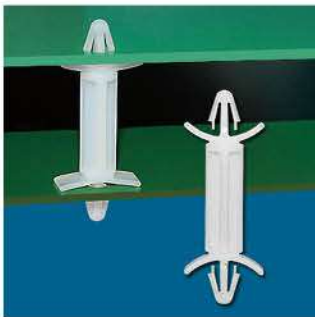
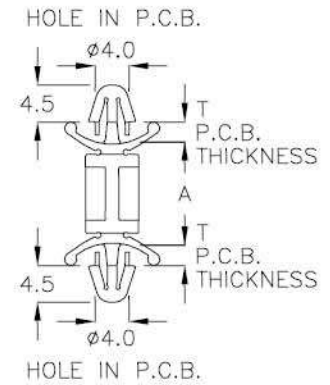
| PART NO | A   | C<br>P.C.B.<br>THICKNESS | T<br>P.C.B.<br>THICKNESS | PACKAGE |
|---------|-----|--------------------------|--------------------------|---------|
| LCFA-7K | 7.6 | 0.8~1.2                  | 0.8                      | 1000    |



**P.C. 板間隔柱 SPACER SUPPORT 3-51-2**

- MATERIAL: NYLON 66(UL)
- FLAME CLASS: 94V-2
- COLOR: NATURAL

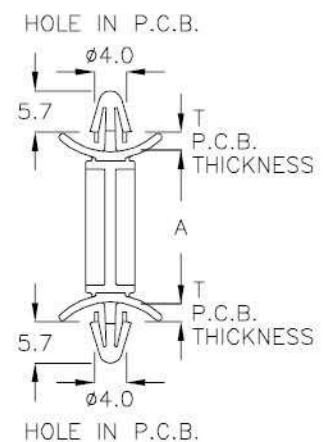
| PART NO   | A    | T<br>P.C.B.<br>THICKNESS | PACKAGE |
|-----------|------|--------------------------|---------|
| LTQB-12CH | 12.7 | 0.8~1.7                  | 1000    |



**P.C. 板間隔柱 SPACER SUPPORT 3-51-3**

- MATERIAL: NYLON 66(UL)
- FLAME CLASS: 94V-2
- COLOR: NATURAL

| PART NO  | A    | T<br>P.C.B.<br>THICKNESS | PACKAGE |
|----------|------|--------------------------|---------|
| LTQM-22A | 22.5 | 0.8~2.0                  | 500     |

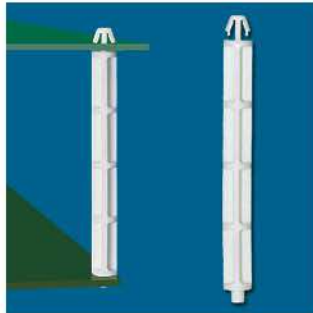
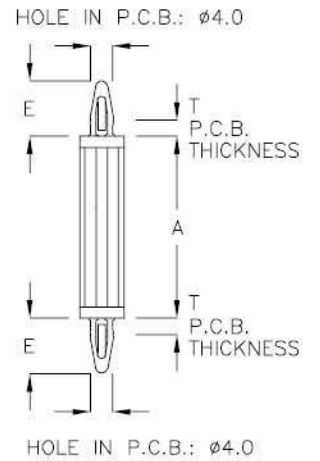




### P.C. 板間隔柱 SPACER SUPPORT 3-52-1

- MATERIAL: NYLON 66(UL)
- FLAME CLASS: 94V-2
- COLOR: NATURAL, BLACK

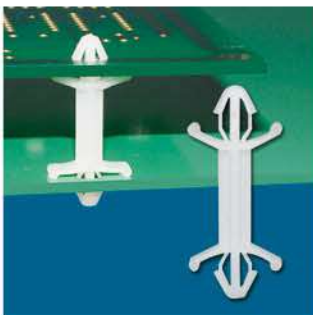
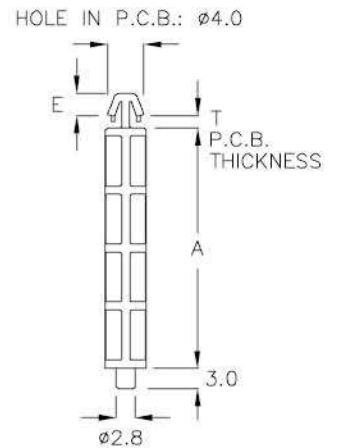
| PART NO | A     | T<br>P.C.B.<br>THICKNESS | E    | PACKAGE |
|---------|-------|--------------------------|------|---------|
| LCD-151 | 151.8 | 1.8~2.0                  | 10.0 | 100     |



### P.C. 板間隔柱 SPACER SUPPORT 3-52-2

- MATERIAL: NYLON 66(UL)
- FLAME CLASS: 94V-2
- COLOR: NATURAL

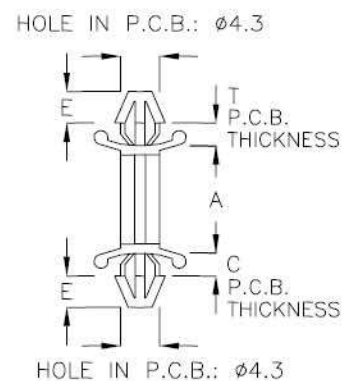
| PART NO | A    | T<br>P.C.B.<br>THICKNESS | E   | PACKAGE |
|---------|------|--------------------------|-----|---------|
| MQW-51A | 51.7 | 1.6                      | 3.3 | 500     |

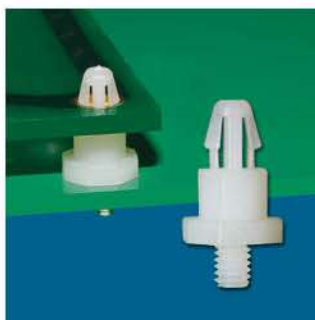


### P.C. 板間隔柱 SPACER SUPPORT 3-52-3

- MATERIAL: NYLON 66(UL)
- FLAME CLASS: 94V-2
- COLOR: NATURAL

| PART NO | A    | T<br>P.C.B.<br>THICKNESS | C<br>P.C.B.<br>THICKNESS | E   | PACKAGE |
|---------|------|--------------------------|--------------------------|-----|---------|
| LCK-20  | 14.6 | 0.6                      | 0.8~1.0                  | 3.4 | 1000    |
| LCK-27  | 21.2 | 0.6                      | 1.4~1.6                  | 3.4 |         |

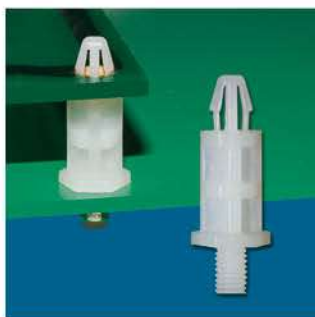
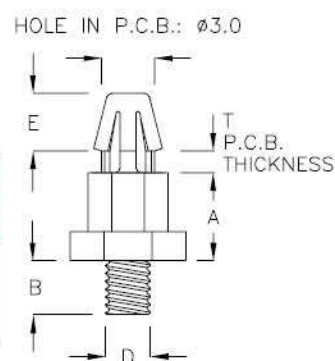




### P.C. 板間隔柱 SPACER SUPPORT ———— 3-53-1

- MATERIAL: NYLON 66(UL)
- FLAME CLASS: 94V-2
- COLOR: NATURAL

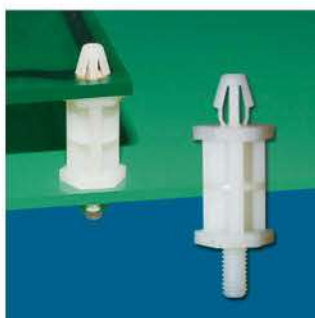
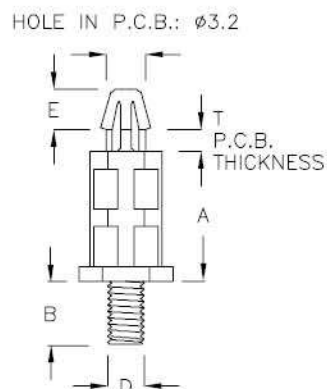
| PART NO | A   | B   | T<br>P.C.B.<br>THICKNESS | D<br>SCREW | E   | PACKAGE |
|---------|-----|-----|--------------------------|------------|-----|---------|
| SDS-05  | 4.9 | 3.0 | 0.8~1.0                  | M2.5       | 3.3 | 2000    |
| SDS-05A | 4.9 | 3.0 | 0.8~1.0                  | M4         | 3.3 |         |
| SDS-3A  | 3.4 | 4.0 | 0.8~1.0                  | M4         | 3.5 |         |



### P.C. 板間隔柱 SPACER SUPPORT ———— 3-53-2

- MATERIAL: NYLON 66(UL)
- FLAME CLASS: 94V-2
- COLOR: NATURAL

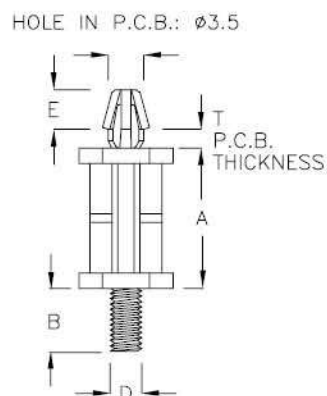
| PART NO | A    | B   | T<br>P.C.B.<br>THICKNESS | D<br>SCREW | E    | PACKAGE |
|---------|------|-----|--------------------------|------------|------|---------|
| SDT-10A | 10.4 | 5.0 | 1.4~1.6                  | M3         | 3.25 | 2000    |



### P.C. 板間隔柱 SPACER SUPPORT ———— 3-53-3

- MATERIAL: NYLON 66(UL)
- FLAME CLASS: 94V-2
- COLOR: NATURAL

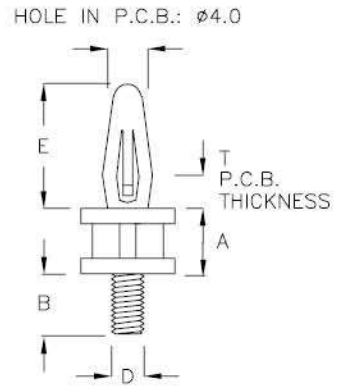
| PART NO | A    | B   | T<br>P.C.B.<br>THICKNESS | D<br>SCREW | E   | PACKAGE |
|---------|------|-----|--------------------------|------------|-----|---------|
| SSA-13A | 13.0 | 6.0 | 1.4~1.6                  | M3         | 3.9 | 500     |



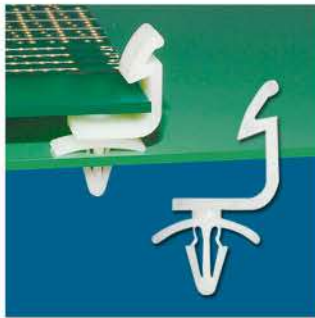


P.C. 板間隔柱 SPACER SUPPORT 3-54-1

- MATERIAL: NYLON 66(UL)
- FLAME CLASS: 94V-2
- COLOR: NATURAL

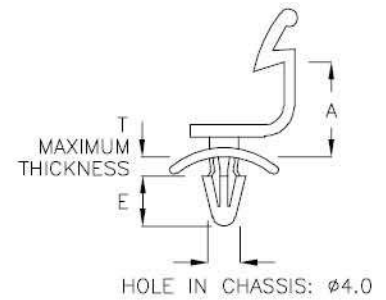


| PART NO  | A    | B   | T<br>P.C.B.<br>THICKNESS | D<br>SCREW | E    | PACKAGE |
|----------|------|-----|--------------------------|------------|------|---------|
| SSBS-6   | 6.2  | 7.6 | 1.0~1.7                  | #6-32      | 10.6 | 1000    |
| SSBS-6M  | 6.35 | 5.0 | 1.0~1.7                  | #6-32      | 10.6 |         |
| SSBS-10  | 9.6  | 7.5 | 1.0~1.7                  | #6-32      | 10.6 |         |
| SSBS-12A | 12.5 | 5.0 | 1.0~1.7                  | #6-32      | 10.1 | 500     |
| SSBS4-6  | 6.3  | 5.0 | 1.0~1.7                  | M4         | 10.6 |         |
| SSBS4-10 | 10.0 | 7.4 | 1.0~1.7                  | M4         | 10.6 |         |
| SSBS4-16 | 15.8 | 7.4 | 1.0~1.7                  | M4         | 10.6 |         |

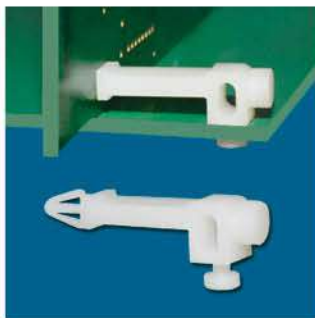


P.C. 板間隔柱 SPACER SUPPORT 3-54-2

- MATERIAL: NYLON 66(UL)
- FLAME CLASS: 94V-2
- COLOR: NATURAL

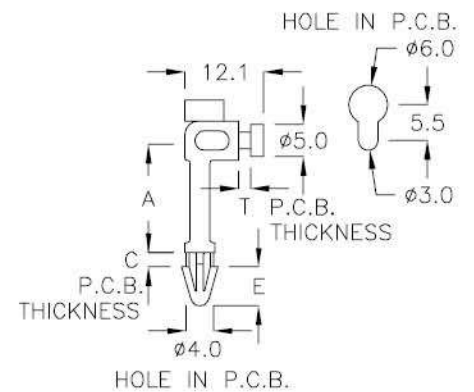


| PART NO | A    | T<br>MAXIMUM<br>THICKNESS | E   | PACKAGE |
|---------|------|---------------------------|-----|---------|
| LLS-12  | 12.6 | 2.0                       | 6.6 | 500     |

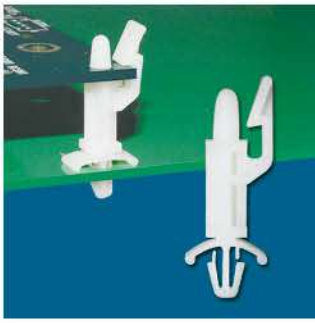


P.C. 板間隔柱 SPACER SUPPORT 3-54-3

- MATERIAL: NYLON 66(UL)
- FLAME CLASS: 94V-2
- COLOR: NATURAL

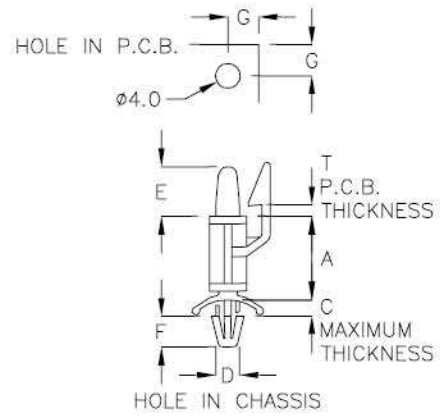


| PART NO | A    | T<br>P.C.B.<br>THICKNESS | C<br>P.C.B.<br>THICKNESS | E   | PACKAGE |
|---------|------|--------------------------|--------------------------|-----|---------|
| LTU-20  | 20.0 | 1.7                      | 1.7                      | 6.0 | 500     |
| LTU-20A | 20.0 | 1.7                      | 2.0                      | 6.0 |         |

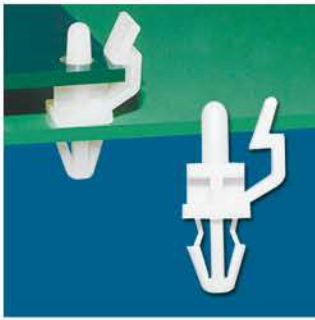


**P.C. 板間隔柱 SPACER SUPPORT ———— | 3-55-1 |**

- MATERIAL: NYLON 66(UL)
- FLAME CLASS: 94V-2
- COLOR: NATURAL

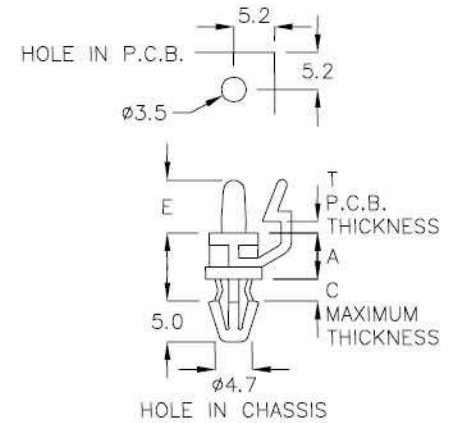


| PART NO | A    | B   | C<br>MAXIMUM<br>THICKNESS | D<br>HOLE IN<br>CHASSIS | E    | F   | G   | T<br>P.C.B.<br>THICKNESS | PACKAGE |
|---------|------|-----|---------------------------|-------------------------|------|-----|-----|--------------------------|---------|
| LT-10   | 9.2  | 5.5 | 2.0                       | ∅4.0                    | 7.4  | 5.2 | 5.0 | 0.8~2.0                  | 500     |
| LT-12   | 11.9 | 5.5 | 2.0                       | ∅4.0                    | 7.35 | 4.5 | 5.0 | 0.8~2.0                  |         |
| LT-15   | 15.1 | 5.5 | 2.0                       | ∅4.0                    | 7.4  | 5.2 | 5.0 | 0.8~2.0                  |         |
| LT-18   | 17.2 | 5.5 | 2.0                       | ∅4.0                    | 7.35 | 5.2 | 5.0 | 0.8~2.0                  |         |
| LT-26   | 26.2 | 6.4 | 2.0                       | ∅5.0                    | 15.0 | 5.2 | 6.0 | 0.8~2.0                  |         |

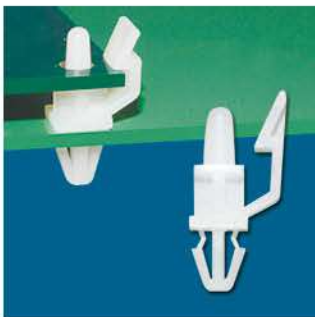


**P.C. 板間隔柱 SPACER SUPPORT ———— | 3-55-2 |**

- MATERIAL: NYLON 66(UL)
- FLAME CLASS: 94V-2
- COLOR: NATURAL

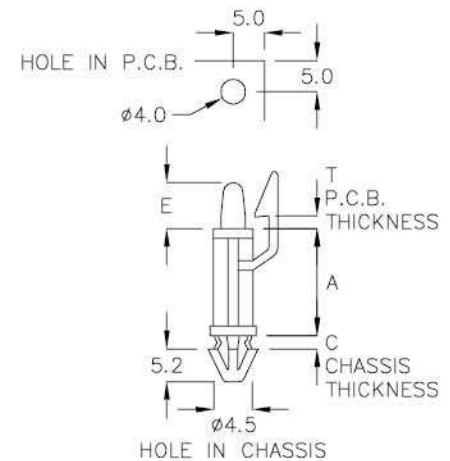


| PART NO | A   | C<br>MAXIMUM<br>THICKNESS | E   | T<br>P.C.B.<br>THICKNESS | PACKAGE |
|---------|-----|---------------------------|-----|--------------------------|---------|
| LTC-5A  | 5.7 | 2.4                       | 6.5 | 0.8~1.0                  | 1000    |

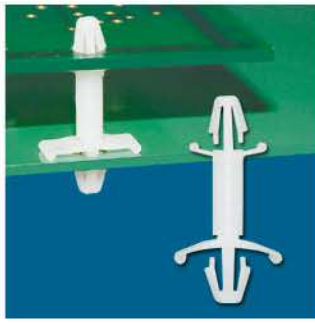


**P.C. 板間隔柱 SPACER SUPPORT ———— | 3-55-3 |**

- MATERIAL: NYLON 66(UL)
- FLAME CLASS: 94V-2
- COLOR: NATURAL



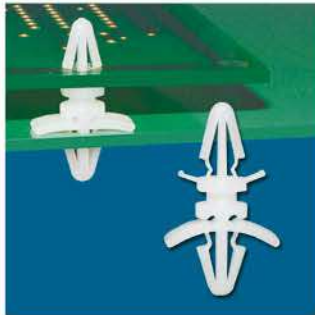
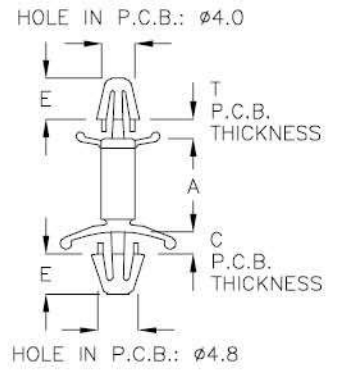
| PART NO | A    | C<br>CHASSIS<br>THICKNESS | E   | T<br>P.C.B.<br>THICKNESS | PACKAGE |
|---------|------|---------------------------|-----|--------------------------|---------|
| LT-08A  | 7.5  | 1.2~1.6                   | 7.0 | 1.4~1.6                  | 500     |
| LT-18A  | 18.8 | 1.0~1.4                   | 7.3 | 1.4~1.6                  |         |



**P.C. 板間隔柱 SPACER SUPPORT ———— 3-56-1**

- MATERIAL: NYLON 66(UL)
- FLAME CLASS: 94V-2
- COLOR: NATURAL

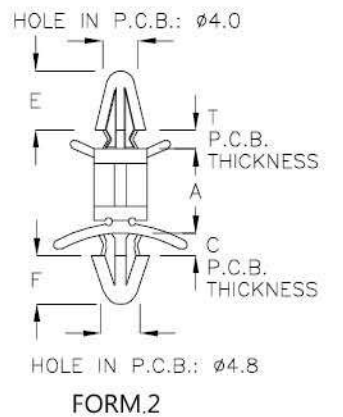
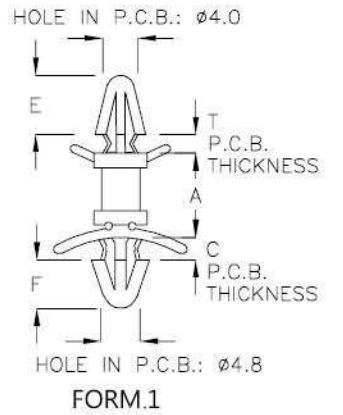
| PART NO | A    | T<br>P.C.B.<br>THICKNESS | C<br>P.C.B.<br>THICKNESS | E   | PACKAGE |
|---------|------|--------------------------|--------------------------|-----|---------|
| LCWS-12 | 12.7 | 1.4~1.6                  | 0.8~2.0                  | 4.8 | 500     |



**P.C. 板間隔柱 SPACER SUPPORT ———— 3-56-2**

- MATERIAL: NYLON 66(UL)
- FLAME CLASS: 94V-2
- COLOR: NATURAL

| PART NO   | A    | T<br>P.C.B.<br>THICKNESS | C<br>P.C.B.<br>THICKNESS | E   | F   | FORM | PACKAGE |
|-----------|------|--------------------------|--------------------------|-----|-----|------|---------|
| LCBS-5    | 5.0  | 0.8~1.7                  | 0.8~1.7                  | 7.1 | 6.1 | 1    | 1000    |
| LCBS-6    | 6.35 | 0.8~1.7                  | 0.8~1.7                  | 7.1 | 6.1 | 1    |         |
| LCBS-10   | 10.0 | 0.8~1.7                  | 0.8~1.7                  | 7.1 | 6.1 | 1    |         |
| LCBS-15   | 15.0 | 0.8~1.7                  | 0.8~1.7                  | 7.1 | 5.7 | 1    | 500     |
| LCBS-20   | 20.0 | 0.8~1.7                  | 0.8~1.7                  | 7.1 | 5.7 | 1    |         |
| LCBS-25   | 25.0 | 0.8~1.7                  | 0.8~1.7                  | 7.1 | 5.7 | 1    |         |
| LCBS-29   | 29.0 | 0.8~1.7                  | 0.8~1.7                  | 7.1 | 6.1 | 2    |         |
| LCBS-30   | 30.0 | 1.0~2.0                  | 1.0~2.0                  | 7.0 | 6.0 | 2    |         |
| LCBS-35   | 35.0 | 0.8~1.7                  | 0.8~1.7                  | 7.1 | 6.1 | 1    |         |
| LCBS-37KM | 37.7 | 0.8~1.7                  | 1.0~2.0                  | 7.1 | 6.0 | 2    |         |
| LCBS-38   | 38.0 | 0.8~1.7                  | 0.8~1.7                  | 7.1 | 6.1 | 1    |         |
| LCBS-45   | 45.0 | 0.8~1.7                  | 0.8~1.7                  | 7.1 | 6.1 | 1    |         |

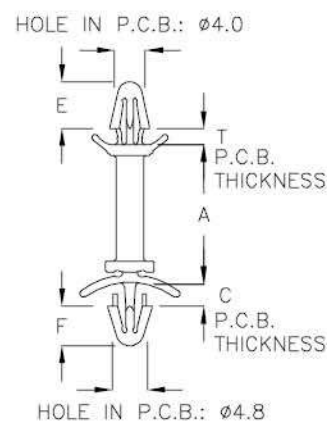




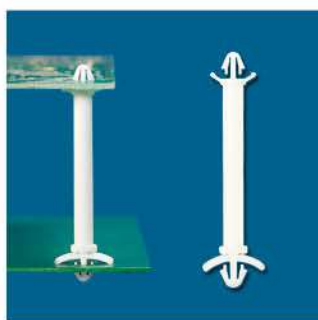


**P.C. 板間隔柱 SPACER SUPPORT 3-57-1**

- MATERIAL: NYLON 66(UL)
- FLAME CLASS: 94V-2
- COLOR: NATURAL

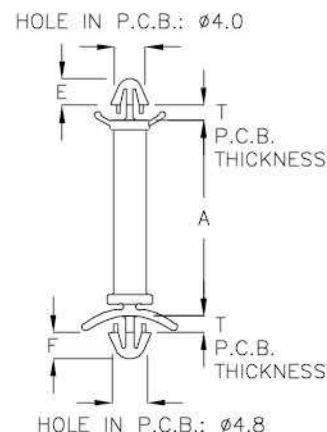


| PART NO   | A    | T<br>P.C.B.<br>THICKNESS | C<br>P.C.B.<br>THICKNESS | E   | F   | PACKAGE |
|-----------|------|--------------------------|--------------------------|-----|-----|---------|
| LCBS-20QT | 20.0 | 0.8~1.7                  | 1.5~2.5                  | 6.7 | 5.7 | 500     |

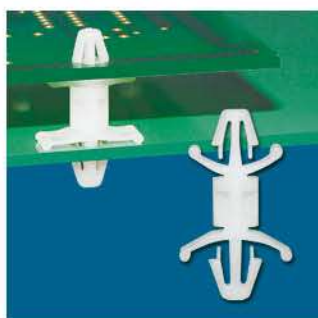


**P.C. 板間隔柱 SPACER SUPPORT 3-57-2**

- MATERIAL: NYLON 66(UL)
- FLAME CLASS: 94V-2
- COLOR: NATURAL

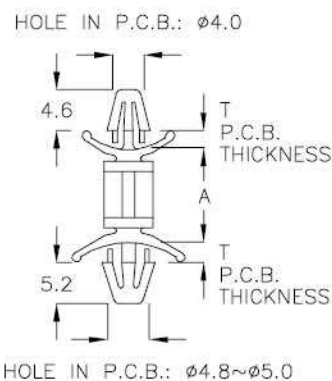


| PART NO | A     | T<br>P.C.B.<br>THICKNESS | E   | F   | PACKAGE |
|---------|-------|--------------------------|-----|-----|---------|
| LCBS-44 | 43.65 | 0.8~1.7                  | 4.0 | 4.0 | 500     |

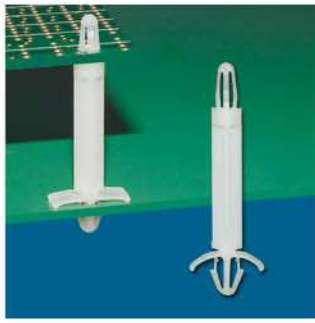


**P.C. 板間隔柱 SPACER SUPPORT 3-57-3**

- MATERIAL: NYLON 66(UL)
- FLAME CLASS: 94V-2
- COLOR: NATURAL

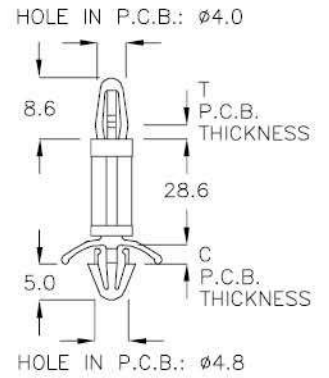


| PART NO | A    | T<br>P.C.B.<br>THICKNESS | PACKAGE |
|---------|------|--------------------------|---------|
| LTBS-6  | 6.35 | 0.8~1.7                  | 500     |
| LTBS-10 | 9.4  | 0.8~1.7                  |         |
| LTBS-12 | 12.7 | 0.8~1.7                  |         |
| LTBS-15 | 15.9 | 0.8~1.7                  |         |
| LTBS-19 | 19.1 | 0.8~1.7                  |         |
| LTBS-21 | 20.5 | 0.8~1.7                  |         |
| LTBS-22 | 22.2 | 0.8~1.7                  |         |

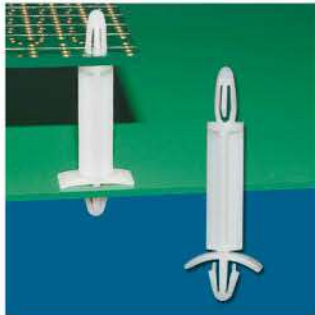


**P.C. 板間隔柱 SPACER SUPPORT 3-58-1**

- MATERIAL: NYLON 66(UL)
- FLAME CLASS: 94V-2
- COLOR: NATURAL

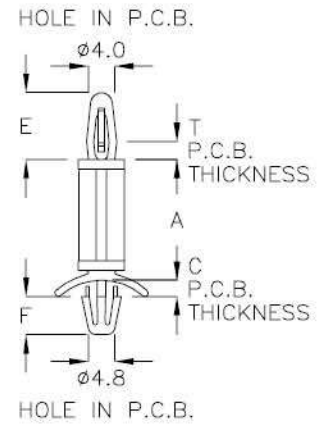


| PART NO | T P.C.B. THICKNESS | C P.C.B. THICKNESS | PACKAGE |
|---------|--------------------|--------------------|---------|
| LCC-28A | 1.2~1.6            | 0.5~2.0            | 500     |



**P.C. 板間隔柱 SPACER SUPPORT 3-58-2**

- MATERIAL: NYLON 66(UL)
- FLAME CLASS: 94V-2
- COLOR: NATURAL

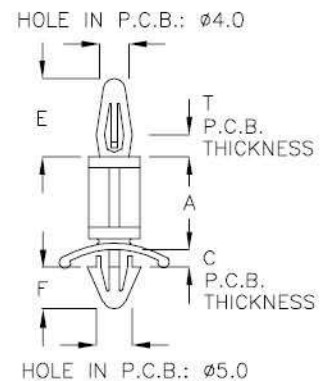


| PART NO  | A    | T P.C.B. THICKNESS | C P.C.B. THICKNESS | E    | F   | PACKAGE |
|----------|------|--------------------|--------------------|------|-----|---------|
| LCC-16KF | 15.9 | 1.2~1.7            | 0.8~2.0            | 10.2 | 5.0 | 500     |
| LCC-22TB | 22.2 | 1.2~1.6            | 0.8~2.0            | 10.2 | 5.6 | 1000    |
| LCC-25QT | 25.4 | 1.2~1.7            | 0.8~2.0            | 10.2 | 5.0 | 500     |
| LCC-25A  | 25.8 | 1.2~1.6            | 0.8~1.6            | 10.2 | 5.9 | 1000    |
| LCC-28C  | 28.6 | 1.2~1.6            | 0.8~2.0            | 10.2 | 5.9 | 500     |

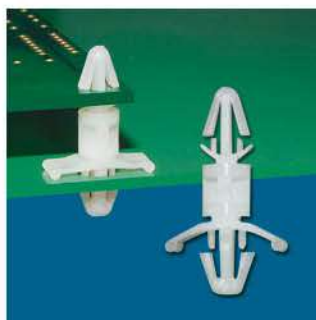


**P.C. 板間隔柱 SPACER SUPPORT 3-58-3**

- MATERIAL: NYLON 66(UL)
- FLAME CLASS: 94V-2
- COLOR: NATURAL



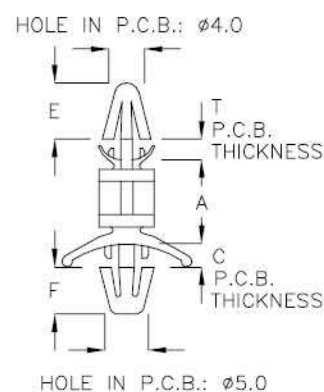
| PART NO | A    | T P.C.B. THICKNESS | C P.C.B. THICKNESS | E    | F   | PACKAGE |
|---------|------|--------------------|--------------------|------|-----|---------|
| LCC-5   | 4.8  | 1.2~1.6            | 1.0~2.2            | 10.7 | 5.5 | 500     |
| LCC-6   | 6.35 | 1.2~1.6            | 1.0~2.2            | 10.7 | 5.5 |         |
| LCC-10  | 9.6  | 1.2~1.6            | 1.0~2.2            | 10.7 | 5.5 |         |
| LCC-12  | 12.7 | 1.2~1.6            | 1.0~2.2            | 10.7 | 5.5 |         |
| LCC-15  | 15.9 | 1.2~1.6            | 1.0~2.2            | 10.7 | 5.5 |         |



### P.C. 板間隔柱 SPACER SUPPORT ———— 3-59-1 |

- MATERIAL: NYLON 66(UL)
- FLAME CLASS: 94V-2
- COLOR: NATURAL

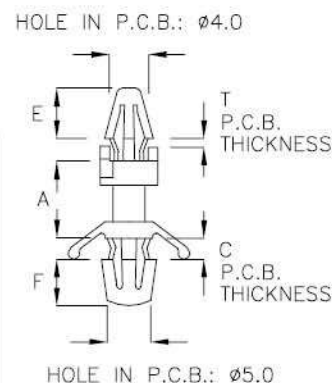
| PART NO | A   | T<br>P.C.B.<br>THICKNESS | C<br>P.C.B.<br>THICKNESS | E   | F   | PACKAGE |
|---------|-----|--------------------------|--------------------------|-----|-----|---------|
| LBB-10  | 9.6 | 0.8~1.7                  | 0.8~2.0                  | 5.8 | 5.1 | 1000    |



### P.C. 板間隔柱 SPACER SUPPORT ———— 3-59-2 |

- MATERIAL: NYLON 66(UL)
- FLAME CLASS: 94V-2
- COLOR: NATURAL

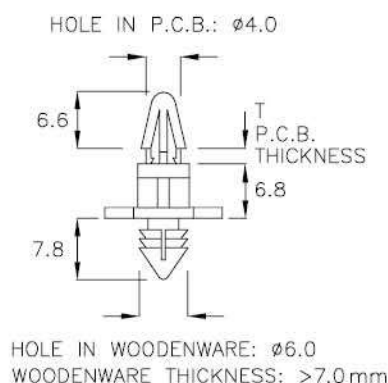
| PART NO | A    | T<br>P.C.B.<br>THICKNESS | C<br>P.C.B.<br>THICKNESS | E   | F   | PACKAGE |
|---------|------|--------------------------|--------------------------|-----|-----|---------|
| CBS-5   | 4.8  | 0.8~1.9                  | 0.5~2.2                  | 6.0 | 5.5 | 1000    |
| CBS-6   | 6.35 | 0.8~1.9                  | 0.5~2.2                  | 6.0 | 5.5 |         |
| CBS-10  | 9.2  | 0.8~1.9                  | 0.5~2.2                  | 6.0 | 5.5 |         |
| CBS-12  | 12.7 | 0.8~1.9                  | 0.5~2.2                  | 6.0 | 5.5 |         |
| CBS-15  | 15.9 | 0.8~1.9                  | 0.5~2.2                  | 6.0 | 5.5 | 500     |
| CBS-19  | 19.0 | 0.8~1.9                  | 0.5~2.2                  | 6.0 | 5.5 |         |
| CBS-25  | 25.4 | 0.8~1.9                  | 0.5~2.2                  | 6.0 | 5.5 |         |
| CBS-28  | 28.5 | 0.8~1.9                  | 0.5~2.2                  | 6.0 | 5.5 |         |
| CBS-35  | 35.0 | 0.8~1.9                  | 0.5~2.2                  | 6.0 | 5.5 |         |

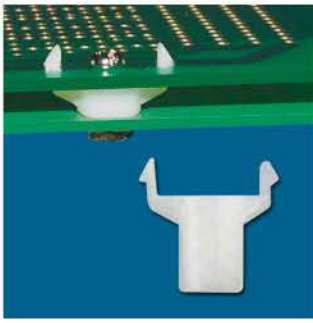


### P.C. 板間隔柱 SPACER SUPPORT ———— 3-59-3 |

- MATERIAL: NYLON 66(UL)
- FLAME CLASS: 94V-2
- COLOR: NATURAL

| PART NO | T<br>P.C.B.<br>THICKNESS | PACKAGE |
|---------|--------------------------|---------|
| WCB-6   | 1.2~1.6                  | 1000    |

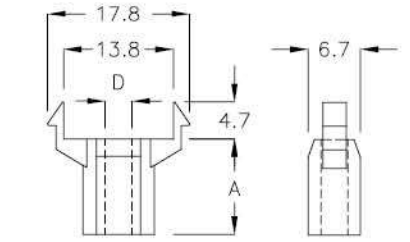




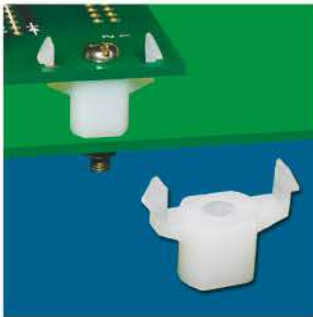
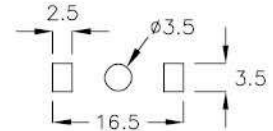
**P.C. 板間隔柱 SPACER SUPPORT 3-60-1**

- MATERIAL: NYLON 66(UL)
- FLAME CLASS: 94V-2
- COLOR: NATURAL

| PART NO | A    | D SCREW   | PACKAGE |
|---------|------|-----------|---------|
| L-16    | 12.0 | M3.0×19.0 | 500     |
| L-16S   | 5.0  | M3.0×12.0 | 1000    |



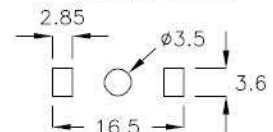
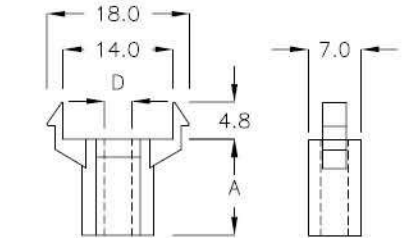
HOLE IN P.C.B.  
P.C.B. THICKNESS: 1.6 mm



**P.C. 板間隔柱 SPACER SUPPORT 3-60-2**

- MATERIAL: NYLON 66(UL)
- FLAME CLASS: 94V-2
- COLOR: NATURAL

| PART NO | A   | D SCREW   | PACKAGE |
|---------|-----|-----------|---------|
| L-9A    | 9.4 | M3.0×16.0 | 1000    |



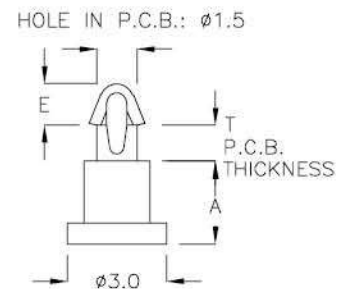
HOLE IN P.C.B.  
P.C.B. THICKNESS: 1.6mm



**P.C. 板間隔柱 SPACER SUPPORT 3-60-3**

- MATERIAL: NYLON 66(UL)
- FLAME CLASS: 94V-2
- COLOR: NATURAL

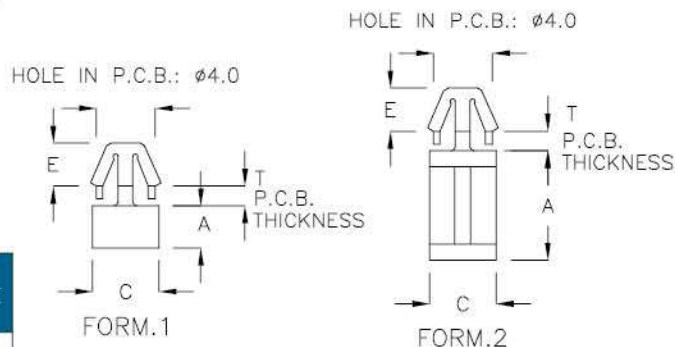
| PART NO | A   | T<br>P.C.B.<br>THICKNESS | E   | PACKAGE |
|---------|-----|--------------------------|-----|---------|
| PCE-1AL | 1.5 | 1.4~1.6                  | 2.0 | 2000    |
| PCE-2L  | 2.0 | 1.4~1.6                  | 2.0 |         |
| PCE-2M  | 2.5 | 1.4~1.6                  | 2.0 |         |
| PCE-3L  | 3.0 | 1.4~1.6                  | 2.0 |         |
| PCE-3M  | 3.5 | 1.4~1.6                  | 2.0 |         |
| PCE-04  | 4.0 | 1.4~1.6                  | 2.0 |         |
| PCE-4EW | 4.5 | 1.4~1.6                  | 2.0 |         |
| PCE-5BZ | 5.0 | 1.4~1.6                  | 2.0 |         |





P.C. 板間隔柱 SPACER SUPPORT 3-81-1

- MATERIAL: NYLON 66(UL)
- FLAME CLASS: 94V-2
- COLOR: NATURAL

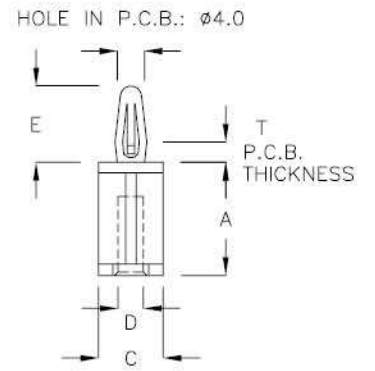


| PART NO | A    | T<br>P.C.B.<br>THICKNESS | C    | E   | FORM | PACKAGE |
|---------|------|--------------------------|------|-----|------|---------|
| MC-1AK  | 1.5  | 0.6~0.8                  | ∅5.0 | 3.0 | 1    | 2000    |
| MC-002  | 2.0  | 0.6~0.8                  | ∅5.0 | 3.6 | 1    |         |
| MC-02A  | 2.0  | 0.7~0.8                  | ∅4.8 | 2.5 | 1    |         |
| MC-02C  | 2.0  | 0.9~1.2                  | ∅5.0 | 3.8 | 1    |         |
| MC-2DP  | 2.0  | 0.85~1.15                | ∅6.8 | 2.2 | 1    |         |
| MC-2M   | 2.5  | 1.2~1.6                  | ∅5.0 | 3.6 | 1    |         |
| MC-2NJ  | 2.0  | 0.85~1.0                 | ∅5.0 | 2.2 | 1    |         |
| MC-2P   | 2.3  | 1.2~1.6                  | ∅5.0 | 3.5 | 1    |         |
| MC-3    | 3.0  | 1.2~1.7                  | ∅5.1 | 3.4 | 2    | 2000    |
| MC-3A   | 3.0  | 1.6~2.0                  | ∅7.0 | 2.9 | 2    |         |
| MC-3K   | 3.5  | 1.2~1.6                  | ∅5.0 | 3.5 | 2    |         |
| MC-3QS  | 3.2  | 1.2~1.6                  | ∅5.0 | 3.5 | 2    |         |
| MC-4    | 4.0  | 1.2~1.7                  | ∅5.2 | 3.4 | 2    |         |
| MC-4KP  | 4.0  | 1.6~1.8                  | ∅7.0 | 2.9 | 2    |         |
| MC-04D  | 4.5  | 1.2~1.7                  | ∅5.0 | 3.3 | 2    |         |
| MC-5B   | 5.0  | 0.8~1.0                  | ∅5.1 | 3.4 | 2    |         |
| MC-06A  | 6.5  | 1.2~1.7                  | ∅5.0 | 3.3 | 2    |         |
| MC-07M  | 7.5  | 1.2~1.7                  | ∅5.0 | 3.3 | 2    |         |
| MC-8    | 8.0  | 1.2~1.7                  | ∅4.9 | 3.6 | 2    |         |
| MC-8A   | 8.5  | 1.2~1.6                  | ∅5.1 | 3.3 | 2    |         |
| MC-09   | 9.0  | 1.2~1.6                  | ∅5.1 | 3.3 | 2    | 1000    |
| MC-10A  | 10.0 | 1.2~1.6                  | ∅5.1 | 3.3 | 2    |         |
| MC-14   | 14.0 | 1.2~1.6                  | ∅5.1 | 3.5 | 2    |         |
| MC-14C  | 14.5 | 1.2~1.6                  | ∅5.1 | 3.0 | 2    |         |
| MC-15C  | 15.9 | 1.2~1.6                  | ∅5.1 | 3.0 | 2    | 500     |
| MC-35   | 35.0 | 1.2~1.6                  | ∅5.1 | 3.3 | 2    |         |



P.C. 板間隔柱 SPACER SUPPORT ———— 3-82-1

- MATERIAL: NYLON 66(UL)
- FLAME CLASS: 94V-2
- COLOR: NATURAL

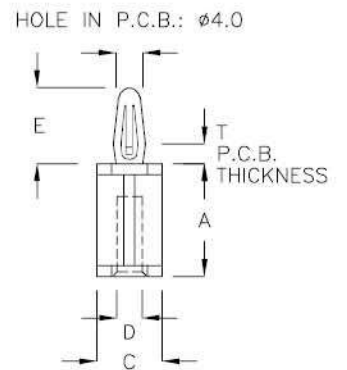


| PART NO  | A    | T<br>P.C.B.<br>THICKNESS | C   | SCREW & THICKNESS  |                       | E    | PACKAGE |
|----------|------|--------------------------|-----|--------------------|-----------------------|------|---------|
|          |      |                          |     | D TAPPING<br>SCREW | SUITABLE<br>THICKNESS |      |         |
| BCBS-6   | 6.35 | 1.2~1.7                  | 9.0 | M3.5X6             | 1.0                   | 10.7 | 500     |
| BCBS-8   | 8.0  | 1.2~1.7                  | 8.9 | M3.5X6             | 1.0                   | 10.6 |         |
| BCBS-10  | 10.0 | 1.2~1.7                  | 9.0 | M3.5X6             | 1.0                   | 10.1 |         |
| BCBS-12  | 12.7 | 1.2~1.7                  | 8.9 | M3.5X6             | 1.0                   | 10.6 |         |
| BCBS-14  | 14.0 | 1.2~1.7                  | 9.2 | M3.5X6             | 1.0                   | 10.2 |         |
| BCBS-15  | 15.9 | 1.2~1.7                  | 9.1 | M3.5X6             | 1.0                   | 10.1 |         |
| BCBS-29A | 29.0 | 1.2~1.7                  | 9.2 | M3.5X6             | 1.0                   | 10.4 |         |
| BCBS-29  | 29.4 | 1.2~1.7                  | 9.2 | M3X6               | 1.0                   | 10.4 |         |



P.C. 板間隔柱 SPACER SUPPORT ———— 3-82-2

- MATERIAL: NYLON 66(UL)
- FLAME CLASS: 94V-2
- COLOR: NATURAL



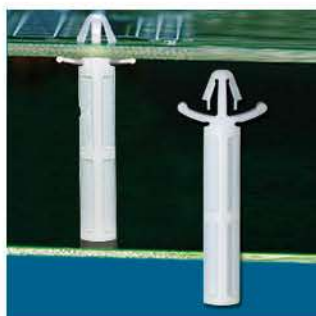
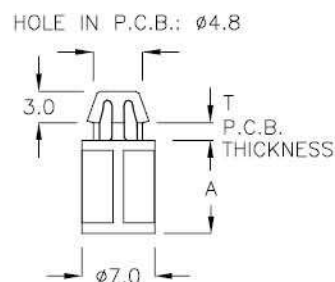
| PART NO  | A    | T<br>P.C.B.<br>THICKNESS | C   | SCREW & THICKNESS  |                       | E    | PACKAGE |
|----------|------|--------------------------|-----|--------------------|-----------------------|------|---------|
|          |      |                          |     | D TAPPING<br>SCREW | SUITABLE<br>THICKNESS |      |         |
| BCMS-6   | 6.35 | 1.2~1.7                  | 9.0 | M3X6               | 1.0                   | 10.7 | 500     |
| BCMS-6AD | 6.0  | 1.2~1.7                  | 8.6 | M3X5               | 1.0                   | 10.2 |         |
| BCMS-8   | 8.0  | 1.2~1.7                  | 8.9 | M3X6               | 1.0                   | 10.6 |         |
| BCMS-10  | 10.0 | 1.2~1.7                  | 9.0 | M3X6               | 1.0                   | 10.1 |         |
| BCMS-12  | 12.7 | 1.2~1.7                  | 8.9 | M3X6               | 1.0                   | 10.6 |         |
| BCMS-14  | 14.0 | 1.2~1.7                  | 9.2 | M3X6               | 1.0                   | 10.3 |         |



### P.C. 板間隔柱 SPACER SUPPORT 3-83-1

- MATERIAL: NYLON 66(UL)
- FLAME CLASS: 94V-2
- COLOR: NATURAL

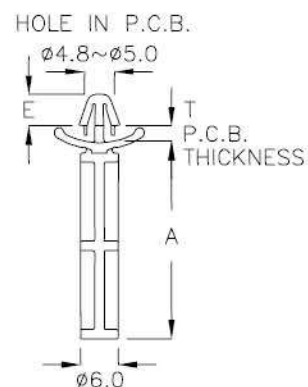
| PART NO | A    | T<br>P.C.B.<br>THICKNESS | PACKAGE |
|---------|------|--------------------------|---------|
| TCY-09  | 9.0  | 1.2~1.6                  | 1000    |
| TCY-12A | 12.8 | 1.2~1.6                  |         |
| TCY-16  | 16.0 | 1.2~1.6                  |         |
| TCY-18  | 18.0 | 1.2~1.6                  |         |
| TCY-22  | 22.0 | 1.2~1.6                  |         |



### P.C. 板間隔柱 SPACER SUPPORT 3-83-2

- MATERIAL: NYLON 66(UL)
- FLAME CLASS: 94V-2
- COLOR: NATURAL

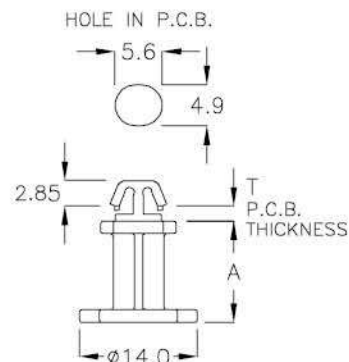
| PART NO | A     | T<br>CHASSIS<br>THICKNESS | E   | PACKAGE |
|---------|-------|---------------------------|-----|---------|
| MFW-31A | 31.35 | 0.8~2.0                   | 5.0 | 500     |



### P.C. 板間隔柱 SPACER SUPPORT 3-83-3

- MATERIAL: NYLON 66(UL)
- FLAME CLASS: 94V-2
- COLOR: NATURAL

| PART NO   | A    | T<br>P.C.B.<br>THICKNESS | PACKAGE |
|-----------|------|--------------------------|---------|
| TCYA-12JM | 12.0 | 1.6                      | 1000    |

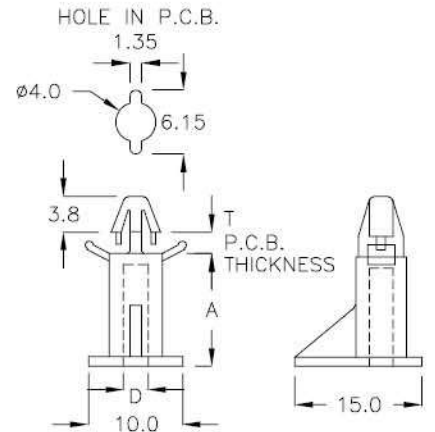




**P.C. 板間隔柱 SPACER SUPPORT 3-84-1**

- MATERIAL: NYLON 66(UL)
- FLAME CLASS: 94V-2
- COLOR: NATURAL

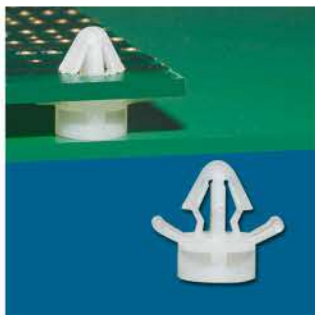
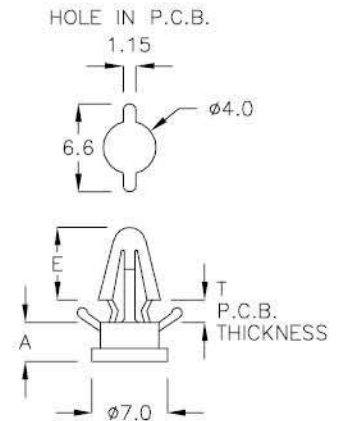
| PART NO | A    | T<br>P.C.B.<br>THICKNESS | SCREW & THICKNESS  |                       | PACKAGE |
|---------|------|--------------------------|--------------------|-----------------------|---------|
|         |      |                          | D TAPPING<br>SCREW | SUITABLE<br>THICKNESS |         |
| TAJ-12  | 12.0 | 1.2~2.1                  | M3X8               | 1.0                   | 500     |



**P.C. 板間隔柱 SPACER SUPPORT 3-84-2**

- MATERIAL: NYLON 66(UL)
- FLAME CLASS: 94V-2
- COLOR: NATURAL

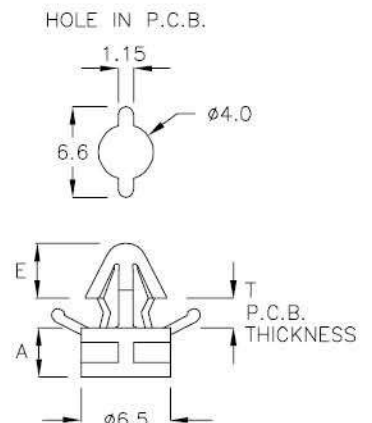
| PART NO | A | T<br>P.C.B.<br>THICKNESS | E | PACKAGE |
|---------|---|--------------------------|---|---------|
|         |   |                          |   |         |



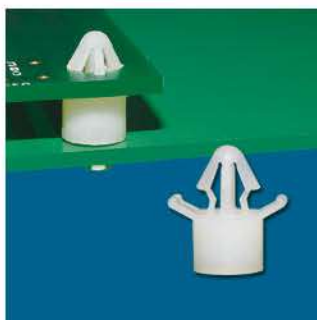
**P.C. 板間隔柱 SPACER SUPPORT 3-84-3**

- MATERIAL: NYLON 66(UL)
- FLAME CLASS: 94V-2
- COLOR: NATURAL

| PART NO | A | T<br>P.C.B.<br>THICKNESS | E | PACKAGE |
|---------|---|--------------------------|---|---------|
|         |   |                          |   |         |



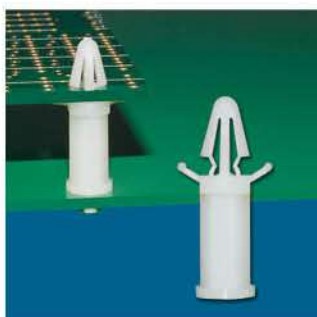
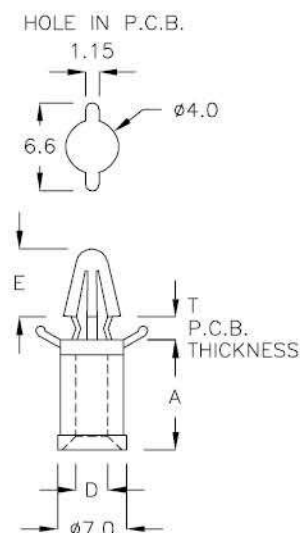




### P.C. 板間隔柱 SPACER SUPPORT 3-85-1

- MATERIAL: NYLON 66(UL)
- FLAME CLASS: 94V-2
- COLOR: NATURAL

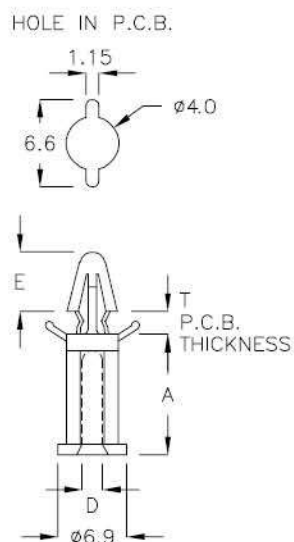
| PART NO | A   | T<br>P.C.B.<br>THICKNESS | SCREW & THICKNESS  |                       | E   | PACKAGE |
|---------|-----|--------------------------|--------------------|-----------------------|-----|---------|
|         |     |                          | D TAPPING<br>SCREW | SUITABLE<br>THICKNESS |     |         |
| TCA-3K  | 3.6 | 1.2~1.7                  | M3X3               | 1.0                   | 5.0 | 1000    |
| TCA-4A  | 4.5 | 1.2~1.7                  | M3X4               | 1.0                   | 6.8 | 1000    |
| TCA-5C  | 5.5 | 1.2~1.7                  | M3X5               | 1.0                   | 4.0 |         |
| TCA-07  | 7.0 | 1.2~1.7                  | M3X6               | 1.0                   | 6.8 |         |
| TCA-7A  | 7.7 | 1.2~1.7                  | M3X7               | 1.0                   | 5.8 |         |
| TCA-8A  | 8.5 | 1.2~1.7                  | M3X7               | 1.0                   | 6.8 |         |
| TCA-8C  | 8.5 | 1.2~1.7                  | M3X7               | 1.0                   | 5.8 |         |

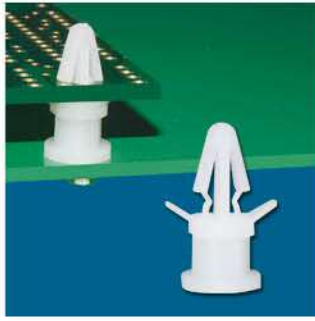


### P.C. 板間隔柱 SPACER SUPPORT 3-85-2

- MATERIAL: NYLON 66(UL)
- FLAME CLASS: 94V-2
- COLOR: NATURAL

| PART NO | A    | T<br>P.C.B.<br>THICKNESS | SCREW & THICKNESS  |                       | E   | PACKAGE |
|---------|------|--------------------------|--------------------|-----------------------|-----|---------|
|         |      |                          | D TAPPING<br>SCREW | SUITABLE<br>THICKNESS |     |         |
| TCA-14  | 14.0 | 1.1~1.7                  | M3X10              | 1.0                   | 7.0 | 500     |

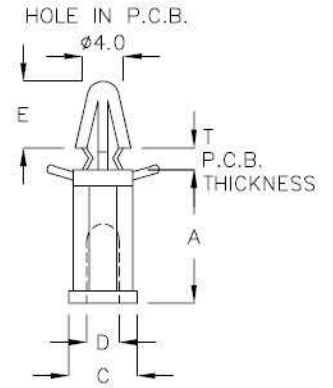




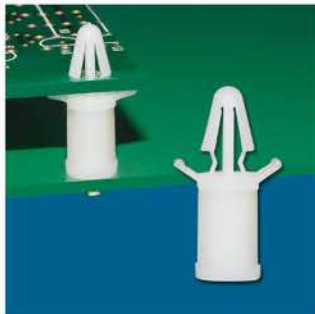
### P.C. 板間隔柱 SPACER SUPPORT

3-86-1

- MATERIAL: NYLON 66(UL)
- FLAME CLASS: 94V-2
- COLOR: NATURAL



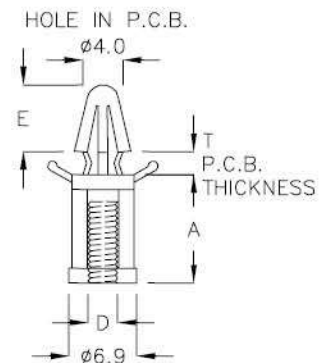
| PART NO  | A    | C    | E   | T<br>P.C.B.<br>THICKNESS | SCREW & THICKNESS |                    | PACKAGE |
|----------|------|------|-----|--------------------------|-------------------|--------------------|---------|
|          |      |      |     |                          | D TAPPING SCREW   | SUITABLE THICKNESS |         |
| TCBS-5   | 5.0  | ø6.9 | 7.2 | 1.2~1.9                  | M3X4.5            | 1.0                | 1000    |
| TCBS-5A  | 5.5  | ø6.9 | 7.0 | 1.2~1.9                  | M3X4.5            | 1.0                |         |
| TCBS-6   | 6.35 | ø8.0 | 6.8 | 1.2~1.9                  | M3X5              | 1.0                |         |
| TCBS-7   | 7.0  | ø7.8 | 6.8 | 1.2~1.9                  | M3X6              | 1.0                |         |
| TCBS-10  | 10.0 | ø6.9 | 7.2 | 1.2~1.9                  | M3X6              | 1.0                |         |
| TCBS-12K | 12.5 | ø6.9 | 6.8 | 1.2~1.9                  | M3X8              | 1.0                |         |
| TCBS-14  | 14.0 | ø6.8 | 7.1 | 1.2~1.9                  | M3X8              | 1.0                |         |
| TCBS-15  | 15.1 | ø6.9 | 7.0 | 1.2~1.9                  | M3X10             | 1.0                |         |
| TCBS-18  | 18.0 | ø6.9 | 6.7 | 1.2~1.9                  | M3X10             | 1.0                |         |
| TCBS-20  | 20.0 | ø6.8 | 7.1 | 1.2~1.9                  | M3X10             | 1.0                |         |
| TCBS-25  | 25.0 | ø6.9 | 7.1 | 1.2~1.9                  | M3X10             | 1.0                |         |
| TCBS-27A | 27.5 | ø6.9 | 6.8 | 1.2~1.9                  | M3X10             | 1.0                | 500     |
| TCBS-29  | 29.3 | ø6.9 | 6.8 | 1.2~1.9                  | M3X10             | 1.0                |         |
| TCBS-30  | 30.0 | ø6.9 | 7.2 | 1.2~1.9                  | M3X10             | 1.0                |         |
| TCBS-35  | 35.0 | ø6.9 | 6.8 | 1.2~1.9                  | M3X10             | 1.0                |         |
| TCBS-38  | 38.0 | ø9.9 | 6.7 | 1.2~1.9                  | M3X10             | 1.0                |         |
| TCBS-40  | 40.0 | ø7.0 | 7.0 | 1.2~1.9                  | M3X10             | 1.0                | 200     |
| TCBS-49  | 49.0 | ø8.1 | 6.6 | 1.2~1.9                  | M3X10             | 1.0                |         |



### P.C. 板間隔柱 SPACER SUPPORT

3-86-2

- MATERIAL: NYLON 66(UL)
- FLAME CLASS: 94V-2
- COLOR: NATURAL



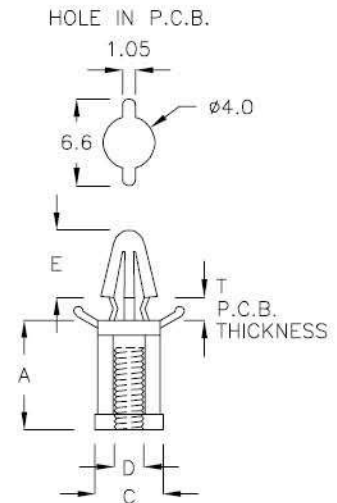
| PART NO | A    | E   | T<br>P.C.B.<br>THICKNESS | SCREW & THICKNESS |                    | PACKAGE |
|---------|------|-----|--------------------------|-------------------|--------------------|---------|
|         |      |     |                          | D SCREW           | SUITABLE THICKNESS |         |
| TCM3-7  | 7.0  | 6.8 | 1.2~1.7                  | M3X7              | 1.0                | 1000    |
| TCM3-8M | 8.5  | 6.8 | 1.2~1.7                  | M3X6              | 1.0                |         |
| TCM3-11 | 11.0 | 6.8 | 1.2~1.7                  | M3X8              | 1.0                |         |



**P.C. 板間隔柱 SPACER SUPPORT 3-87-1**

- MATERIAL: NYLON 66(UL)
- FLAME CLASS: 94V-2
- COLOR: NATURAL

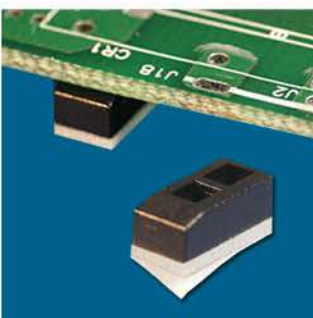
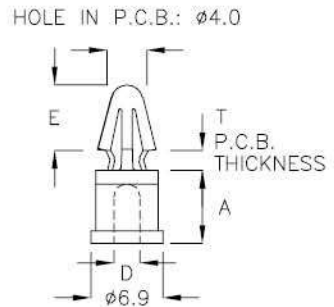
| PART NO  | A   | T<br>P.C.B.<br>THICKNESS | C    | SCREW & THICKNESS |                    | E   | PACKAGE |
|----------|-----|--------------------------|------|-------------------|--------------------|-----|---------|
|          |     |                          |      | D SCREW           | SUITABLE THICKNESS |     |         |
| TCM3-8MF | 8.5 | 1.2~1.7                  | ø6.9 | M3X7              | 1.0                | 6.9 | 1000    |



**P.C. 板間隔柱 SPACER SUPPORT 3-87-2**

- MATERIAL: NYLON 66(UL)
- FLAME CLASS: 94V-2
- COLOR: NATURAL

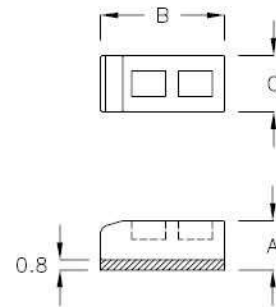
| PART NO | A   | T<br>P.C.B.<br>THICKNESS | SCREW & THICKNESS |                    | E   | PACKAGE |
|---------|-----|--------------------------|-------------------|--------------------|-----|---------|
|         |     |                          | D TAPPING SCREW   | SUITABLE THICKNESS |     |         |
| TCL-07  | 7.0 | 1.2~1.7                  | M3X7              | 1.0                | 6.2 | 1000    |

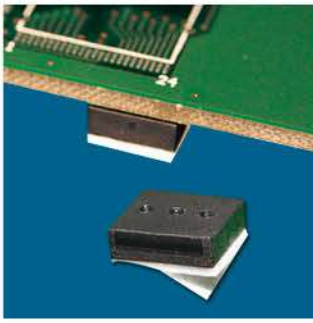


**P.C. 板間隔柱 SPACER SUPPORT 3-87-3**

- MATERIAL: PC(UL)
- FLAME CLASS: 94V-2
- COLOR: BLACK
- ADHESIVE TAPE: 3M

| PART NO | A    | B    | C   | PACKAGE |
|---------|------|------|-----|---------|
| MSR-4Q  | 3.95 | 10.0 | 4.5 | 2000    |

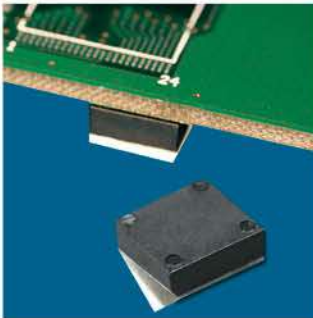
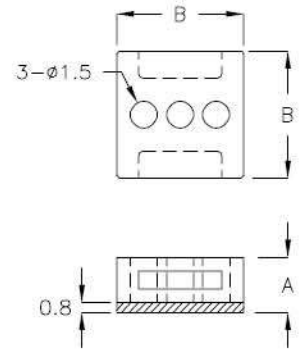




**P.C. 板間隔柱 SPACER SUPPORT 3-88-1**

- MATERIAL: NYLON 66(UL)
- FLAME CLASS: 94V-2
- COLOR: BLACK
- ADHESIVE TAPE: 3M

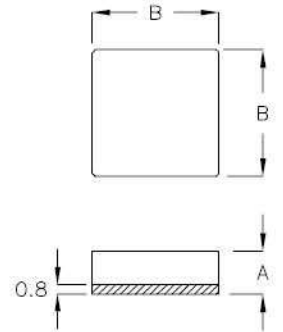
| PART NO | A   | B    | PACKAGE |
|---------|-----|------|---------|
| MSK-2C  | 3.3 | 10.0 | 2000    |
| MSK-2F  | 3.3 | 7.0  |         |
| MSK-3AF | 3.8 | 10.0 | 1000    |
| MSK-3D  | 4.3 | 10.0 |         |
| MSK-6K  | 6.1 | 10.0 |         |



**P.C. 板間隔柱 SPACER SUPPORT 3-88-2**

- MATERIAL: NYLON 66(UL)
- FLAME CLASS: 94V-2
- COLOR: BLACK
- ADHESIVE TAPE: 3M

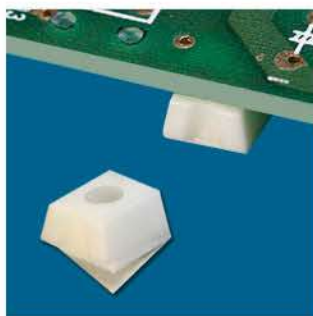
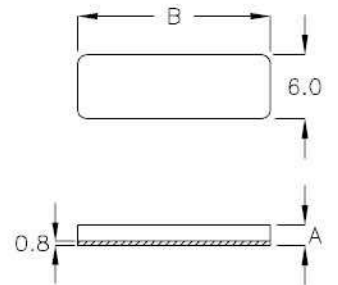
| PART NO | A   | B    | PACKAGE |
|---------|-----|------|---------|
| MSK-2A  | 3.3 | 10.0 | 2000    |
| MSK-2RY | 2.3 | 10.0 |         |



**P.C. 板間隔柱 SPACER SUPPORT 3-88-3**

- MATERIAL: NYLON 66(UL)
- FLAME CLASS: 94V-2
- COLOR: BLACK
- ADHESIVE TAPE: 3M

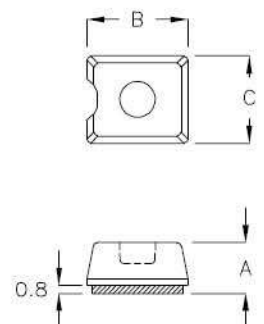
| PART NO | A    | B    | PACKAGE |
|---------|------|------|---------|
| MSLQ-2  | 2.35 | 18.0 | 1000    |

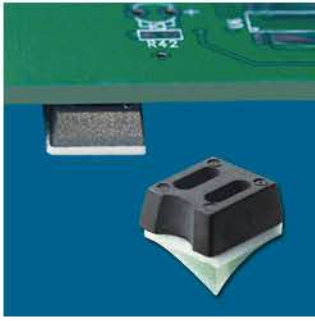


**P.C. 板間隔柱 SPACER SUPPORT 3-88-4**

- MATERIAL: NYLON 66(UL)
- FLAME CLASS: 94V-2
- COLOR: NATURAL
- ADHESIVE TAPE: 3M

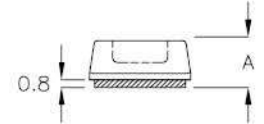
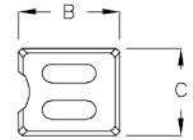
| PART NO | A   | B   | C   | PACKAGE |
|---------|-----|-----|-----|---------|
| MSZ-3Q  | 3.8 | 7.0 | 6.0 | 2000    |



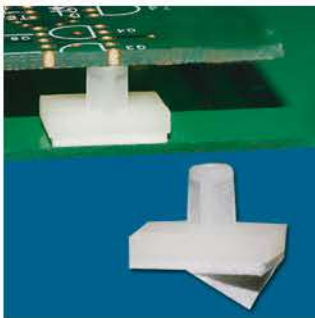


**P.C. 板間隔柱 SPACER SUPPORT 3-89-1**

- MATERIAL: NYLON 66(UL)
- FLAME CLASS: 94V-2
- COLOR: BLACK
- ADHESIVE TAPE: 3M

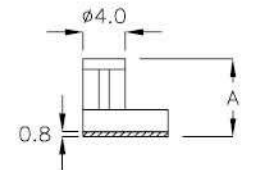
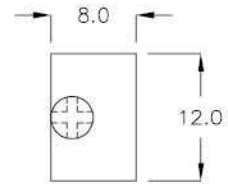


| PART NO | A    | B   | C   | PACKAGE |
|---------|------|-----|-----|---------|
| MSZ-3KS | 3.6  | 7.0 | 6.0 | 2000    |
| MSZ-4ST | 5.1  | 7.0 | 6.0 |         |
| MSZ-5RY | 5.75 | 7.0 | 6.0 |         |

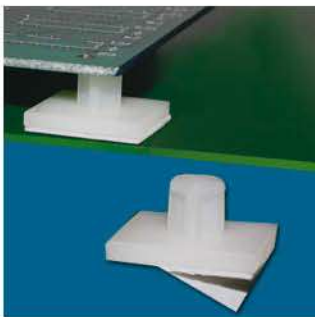


**P.C. 板間隔柱 SPACER SUPPORT 3-89-2**

- MATERIAL: NYLON 66(UL)
- FLAME CLASS: 94V-2
- COLOR: NATURAL
- ADHESIVE TAPE: 3M

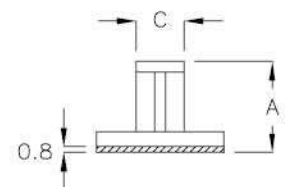
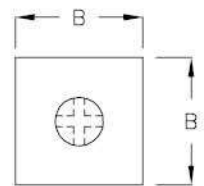


| PART NO | A   | PACKAGE |
|---------|-----|---------|
| MSA-6A  | 7.7 | 500     |
| MSA-10  | 9.8 |         |

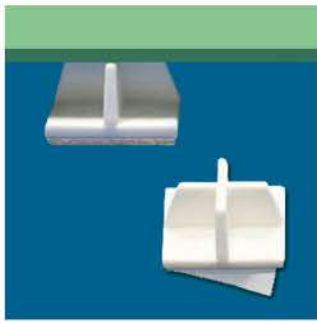


**P.C. 板間隔柱 SPACER SUPPORT 3-89-3**

- MATERIAL: NYLON 66(UL)
- FLAME CLASS: 94V-2
- COLOR: NATURAL
- ADHESIVE TAPE: 3M



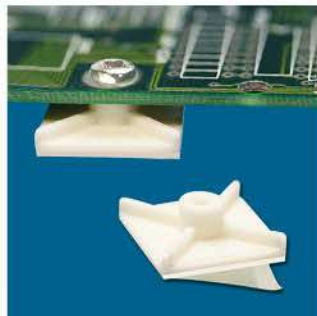
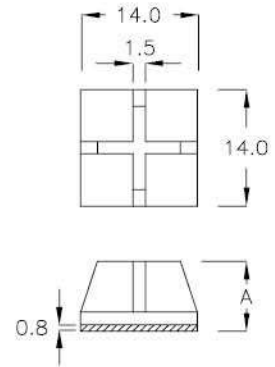
| PART NO  | A    | B    | C    | PACKAGE |
|----------|------|------|------|---------|
| MST-05   | 5.0  | 12.0 | ø6.9 | 500     |
| MST-6C   | 6.35 | 12.0 | ø6.9 |         |
| MST-07   | 7.0  | 18.1 | ø6.9 |         |
| MST-9A   | 9.4  | 18.1 | ø6.9 |         |
| MST-10FC | 10.8 | 18.0 | ø8.0 |         |
| MST-16   | 15.9 | 18.1 | ø6.9 |         |
| MST-16SA | 16.4 | 18.1 | ø6.9 |         |
| MST-19BH | 19.4 | 18.0 | ø8.0 |         |
| MST-20CQ | 20.6 | 18.1 | ø6.9 |         |
| MST-22   | 21.8 | 18.0 | ø6.9 |         |
| MST-37F  | 37.0 | 18.1 | ø6.9 |         |



**P.C. 板間隔柱 SPACER SUPPORT 3-90-1**

- MATERIAL: NYLON 66(UL)
- FLAME CLASS: 94V-2
- COLOR: NATURAL
- USE M3 TAPPING SCREW

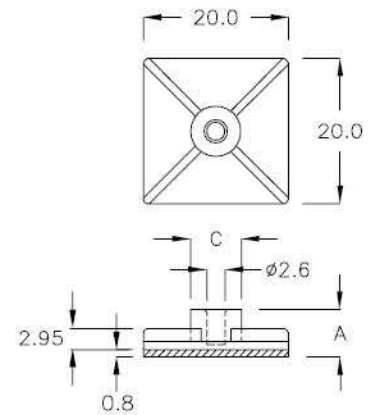
| PART NO | A    | PACKAGE |
|---------|------|---------|
| MSQ-7A  | 8.4  | 500     |
| MSQ-7C  | 7.5  |         |
| MSQ-27K | 27.4 |         |



**P.C. 板間隔柱 SPACER SUPPORT 3-90-2**

- MATERIAL: NYLON 66(UL)
- FLAME CLASS: 94V-2
- COLOR: NATURAL
- ADHESIVE TAPE: 3M
- USE M3 TAPPING SCREW

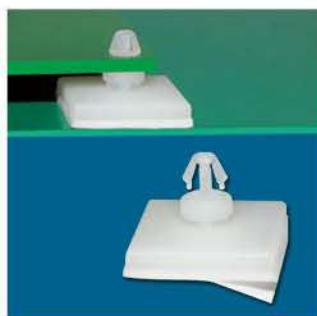
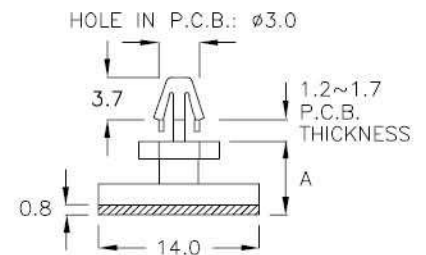
| PART NO | A    | C    | PACKAGE |
|---------|------|------|---------|
| MSS-6A  | 6.35 | ø7.0 | 500     |



**P.C. 板間隔柱 SPACER SUPPORT 3-90-3**

- MATERIAL: NYLON 66(UL)
- FLAME CLASS: 94V-2
- COLOR: NATURAL
- ADHESIVE TAPE: 3M

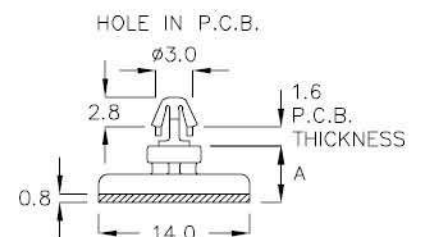
| PART NO | A    | ADHESIVE AREA | PACKAGE |
|---------|------|---------------|---------|
| MSB-6A  | 6.3  | 14.0x14.0     | 500     |
| MSB-11A | 12.6 | 14.0x14.0     |         |

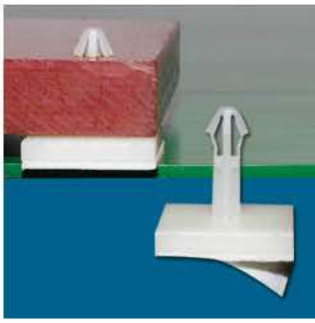


**P.C. 板間隔柱 SPACER SUPPORT 3-90-4**

- MATERIAL: NYLON 66(UL)
- FLAME CLASS: 94V-2
- COLOR: NATURAL
- ADHESIVE TAPE: 3M

| PART NO  | A   | ADHESIVE AREA | PACKAGE |
|----------|-----|---------------|---------|
| MSBA-5TG | 5.2 | 14.0x14.0     | 500     |

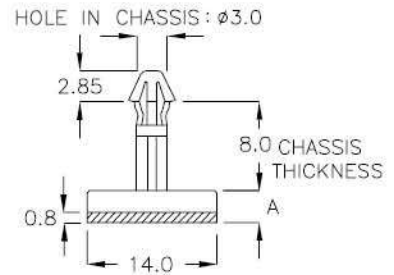




**P.C. 板間隔柱 SPACER SUPPORT 3-91-1**

- MATERIAL: NYLON 66(UL)
- FLAME CLASS: 94V-2
- COLOR: NATURAL
- ADHESIVE TAPE: 3M

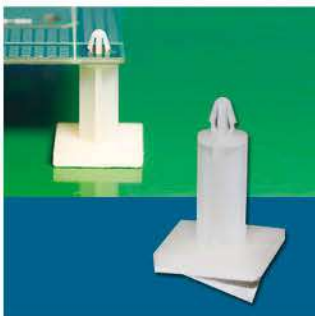
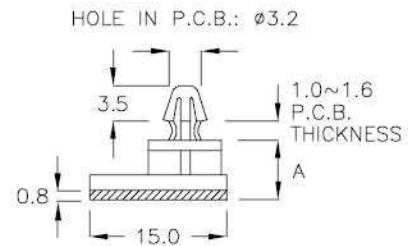
| PART NO | A   | ADHESIVE AREA | PACKAGE |
|---------|-----|---------------|---------|
| MSP-03  | 2.8 | 14.0x16.0     | 2000    |



**P.C. 板間隔柱 SPACER SUPPORT 3-91-2**

- MATERIAL: NYLON 66(UL)
- FLAME CLASS: 94V-2
- COLOR: NATURAL
- ADHESIVE TAPE: 3M

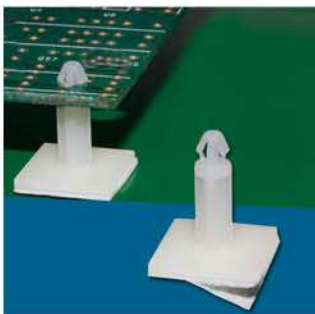
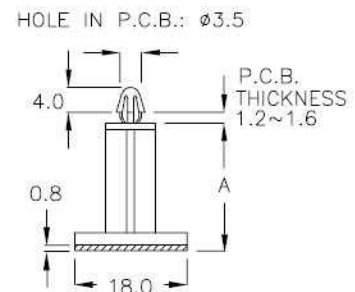
| PART NO | A   | ADHESIVE AREA | PACKAGE |
|---------|-----|---------------|---------|
| AAA-01  | 3.0 | 15.0x15.0     | 500     |
| AAA-3A  | 4.5 | 15.0x15.0     |         |



**P.C. 板間隔柱 SPACER SUPPORT 3-91-3**

- MATERIAL: NYLON 66(UL)
- FLAME CLASS: 94V-2
- COLOR: NATURAL
- ADHESIVE TAPE: 3M

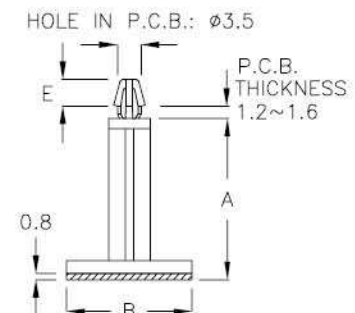
| PART NO | A    | ADHESIVE AREA | PACKAGE |
|---------|------|---------------|---------|
| MSC-20A | 20.3 | 18.0x18.0     | 500     |

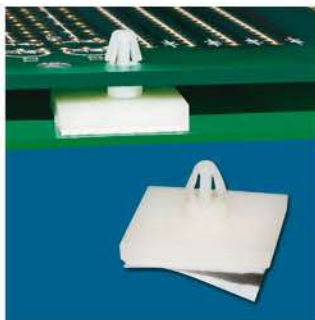


**P.C. 板間隔柱 SPACER SUPPORT 3-91-4**

- MATERIAL: NYLON 66(UL)
- FLAME CLASS: 94V-2
- COLOR: NATURAL
- ADHESIVE TAPE: 3M

| PART NO | A    | E    | B ADHESIVE AREA | PACKAGE |
|---------|------|------|-----------------|---------|
| MSF-13F | 13.8 | 2.9  | 14.5x14.5       | 1000    |
| MSF-25  | 25.1 | 3.85 | 18.0x18.0       | 200     |

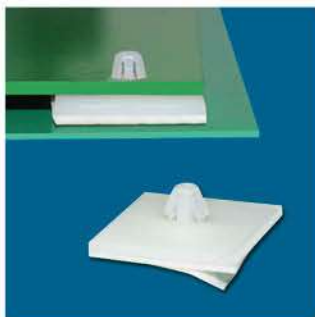
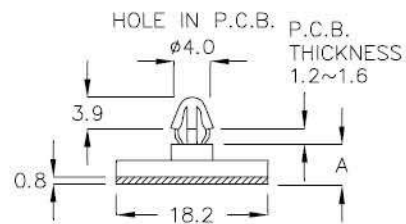




**P.C. 板間隔柱 SPACER SUPPORT ———— 3-92-1**

- MATERIAL: NYLON 66(UL)
- FLAME CLASS: 94V-2
- COLOR: NATURAL
- ADHESIVE TAPE: 3M

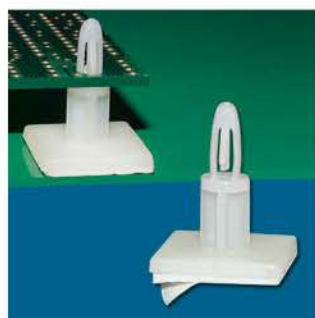
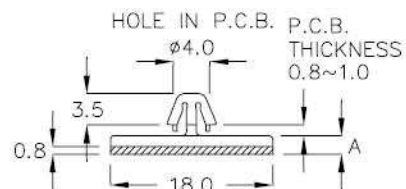
| PART NO | A   | ADHESIVE AREA | PACKAGE |
|---------|-----|---------------|---------|
| SCTMS-5 | 4.8 | 18.2x18.2     | 500     |



**P.C. 板間隔柱 SPACER SUPPORT ———— 3-92-2**

- MATERIAL: NYLON 66(UL)
- FLAME CLASS: 94V-2
- COLOR: NATURAL
- ADHESIVE TAPE: 3M

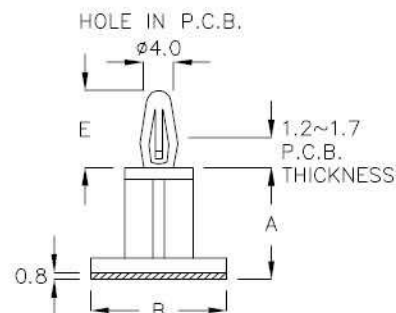
| PART NO | A   | ADHESIVE AREA | PACKAGE |
|---------|-----|---------------|---------|
| MSY-2A  | 2.0 | 18.0x18.0     | 500     |



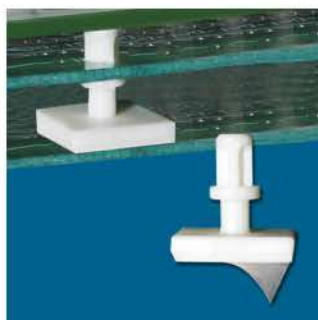
**P.C. 板間隔柱 SPACER SUPPORT ———— 3-92-3**

- MATERIAL: NYLON 66(UL)
- FLAME CLASS: 94V-2
- COLOR: NATURAL
- ADHESIVE TAPE: 3M

| PART NO | A    | E    | B    | ADHESIVE AREA | PACKAGE |
|---------|------|------|------|---------------|---------|
| MS-6    | 6.25 | 10.2 | 18.0 | 18.0x18.0     | 500     |
| MS-8    | 8.0  | 9.7  | 18.0 | 18.0x18.0     |         |
| MS-10   | 9.5  | 10.1 | 18.0 | 18.0x18.0     |         |
| MS-11A  | 11.5 | 4.9  | 18.0 | 18.0x18.0     |         |
| MS-12   | 12.6 | 10.0 | 18.0 | 18.0x18.0     |         |
| MS-16A  | 16.4 | 10.0 | 19.9 | 19.9x19.9     |         |
| MS-19   | 19.3 | 10.2 | 18.0 | 18.0x18.0     | 200     |
| MS-22   | 22.2 | 9.6  | 18.0 | 18.0x18.0     |         |



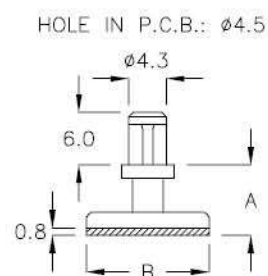




### P.C. 板間隔柱 SPACER SUPPORT 3-93-1

- MATERIAL: NYLON 66(UL)
- FLAME CLASS: 94V-2
- COLOR: NATURAL
- ADHESIVE TAPE: 3M

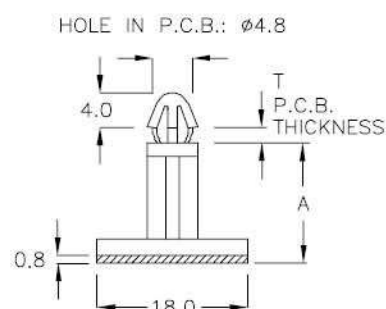
| PART NO | A   | B    | ADHESIVE AREA | PACKAGE |
|---------|-----|------|---------------|---------|
| MSH-8RL | 8.0 | 14.0 | 14.0x14.0     | 500     |



### P.C. 板間隔柱 SPACER SUPPORT 3-93-2

- MATERIAL: NYLON 66(UL)
- FLAME CLASS: 94V-2
- COLOR: NATURAL
- ADHESIVE TAPE: 3M

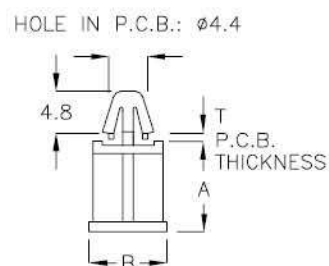
| PART NO | A    | ADHESIVE AREA | T<br>P.C.B.<br>THICKNESS | PACKAGE |
|---------|------|---------------|--------------------------|---------|
| MSD-15  | 14.2 | 18.0x18.0     | 1.2~1.6                  | 500     |



### P.C. 板間隔柱 SPACER SUPPORT 3-93-3

- MATERIAL: NYLON 66(UL)
- FLAME CLASS: 94V-2
- COLOR: NATURAL

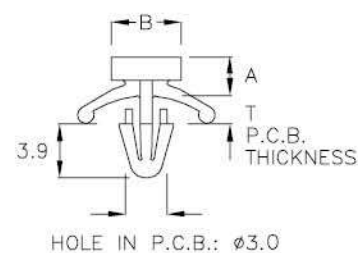
| PART NO | A    | B          | T<br>P.C.B.<br>THICKNESS | PACKAGE |
|---------|------|------------|--------------------------|---------|
| TCT-10A | 10.8 | $\phi 9.0$ | 0.6~0.8                  | 1000    |

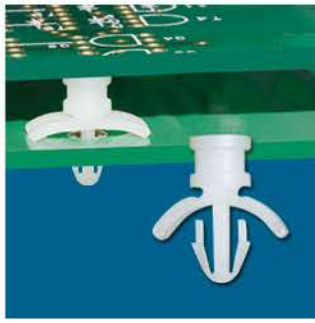


### P.C. 板間隔柱 SPACER SUPPORT 3-93-4

- MATERIAL: NYLON 66(UL)
- FLAME CLASS: 94V-2
- COLOR: NATURAL

| PART NO | A   | B          | T<br>P.C.B.<br>THICKNESS | PACKAGE |
|---------|-----|------------|--------------------------|---------|
| LSJ-2A  | 2.8 | $\phi 5.0$ | 0.8~1.4                  | 1000    |



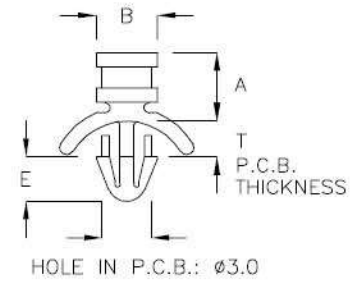


### P.C. 板間隔柱 SPACER SUPPORT

3-94-1

- MATERIAL: NYLON 66(UL)
- FLAME CLASS: 94V-2
- COLOR: NATURAL

| PART NO | A    | B    | E    | T<br>P.C.B.<br>THICKNESS | PACKAGE |
|---------|------|------|------|--------------------------|---------|
| LSF-05  | 5.15 | ø4.3 | 3.15 | 0.8~1.6                  | 2000    |
| LSF-8KM | 8.25 | ø4.5 | 3.2  | 0.8~2.0                  |         |

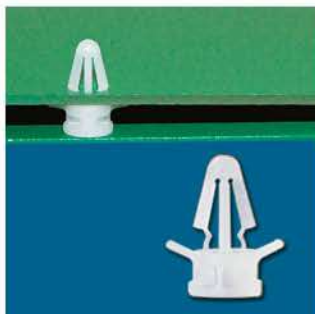
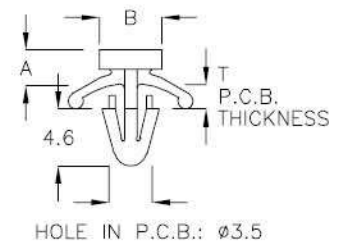


### P.C. 板間隔柱 SPACER SUPPORT

3-94-2

- MATERIAL: NYLON 66(UL)
- FLAME CLASS: 94V-2
- COLOR: NATURAL

| PART NO | A   | B    | T<br>P.C.B.<br>THICKNESS | PACKAGE |
|---------|-----|------|--------------------------|---------|
| LSH-2A  | 2.7 | ø5.0 | 0.8~1.6                  | 1000    |
| LSH-2DH | 1.8 | ø5.0 | 0.8~1.6                  |         |

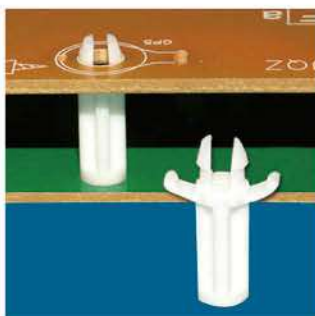
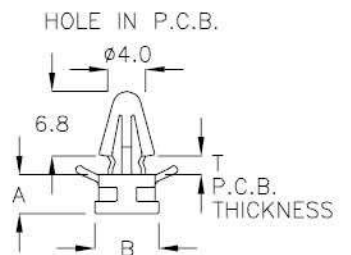


### P.C. 板間隔柱 SPACER SUPPORT

3-94-3

- MATERIAL: NYLON 66(UL)
- FLAME CLASS: 94V-2
- COLOR: NATURAL

| PART NO | A   | B    | T<br>CHASSIS<br>THICKNESS | PACKAGE |
|---------|-----|------|---------------------------|---------|
| TCBK-4A | 4.1 | ø6.8 | 1.2~1.6                   | 1000    |

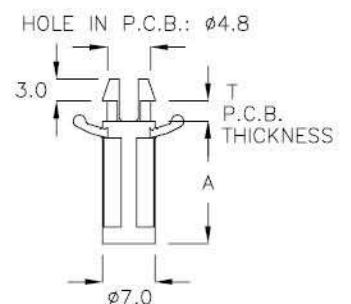


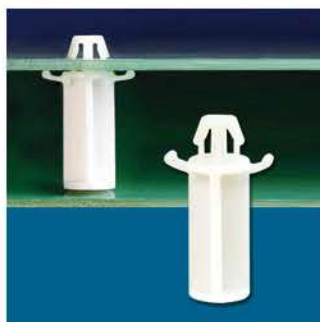
### P.C. 板間隔柱 SPACER SUPPORT

3-94-4

- MATERIAL: NYLON 66(UL)
- FLAME CLASS: 94V-2
- COLOR: NATURAL

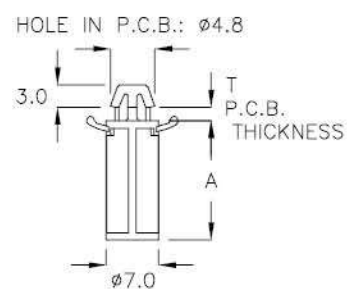
| PART NO | A    | T<br>P.C.B.<br>THICKNESS | PACKAGE |
|---------|------|--------------------------|---------|
| TCG-09  | 9.0  | 1.4~1.6                  | 1000    |
| TCG-16  | 16.0 | 1.4~1.6                  |         |



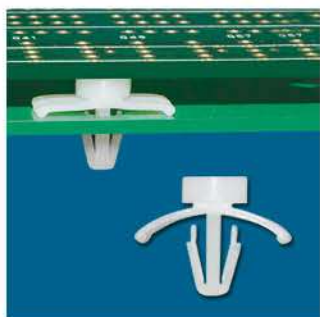


### P.C. 板間隔柱 SPACER SUPPORT 3-95-1

- MATERIAL: NYLON 66(UL)
- FLAME CLASS: 94V-2
- COLOR: NATURAL

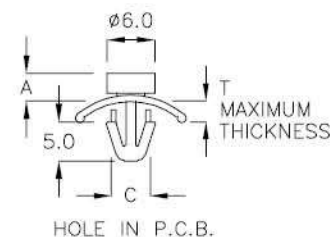


| PART NO | A    | T<br>P.C.B.<br>THICKNESS | PACKAGE |
|---------|------|--------------------------|---------|
| TBK-14A | 14.7 | 1.4~1.6                  | 500     |
| TBK-16F | 16.0 | 1.4~1.6                  | 1000    |
| TBK-20  | 20.0 | 1.4~1.6                  | 500     |
| TBK-22  | 22.0 | 1.4~1.6                  |         |
| TBK-34  | 34.0 | 1.4~1.6                  |         |

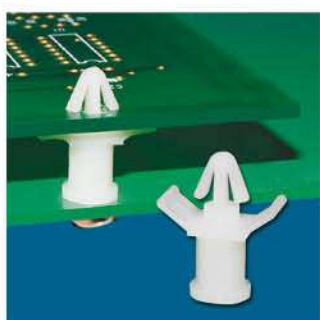


### P.C. 板間隔柱 SPACER SUPPORT 3-95-2

- MATERIAL: NYLON 66(UL)
- FLAME CLASS: 94V-2
- COLOR: NATURAL

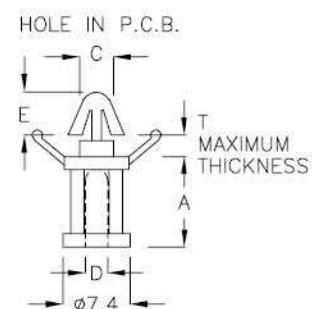


| PART NO | A   | C                   | T<br>MAXIMUM<br>THICKNESS | PACKAGE |
|---------|-----|---------------------|---------------------------|---------|
| LSC-3A  | 3.8 | $\phi 4.8 \sim 5.0$ | 2.1                       | 1000    |
| LSC-3C  | 3.7 | $\phi 4.0$          | 2.1                       |         |

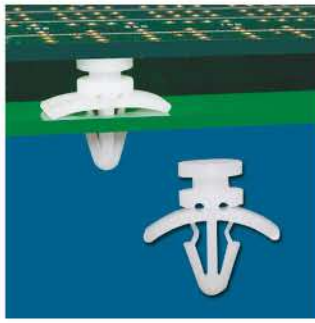


### P.C. 板間隔柱 SPACER SUPPORT 3-95-3

- MATERIAL: NYLON 66(UL)
- FLAME CLASS: 94V-2
- COLOR: NATURAL



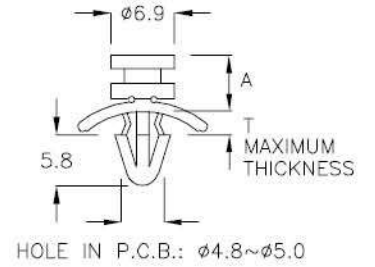
| PART NO | A    | C                   | T<br>MAXIMUM<br>THICKNESS | D<br>TAPPING<br>SCREW | E   | PACKAGE |
|---------|------|---------------------|---------------------------|-----------------------|-----|---------|
| LSC-5   | 4.8  | $\phi 4.8 \sim 5.0$ | 2.0                       | M3                    | 5.6 | 1000    |
| LSC-10  | 9.4  | $\phi 4.8 \sim 5.0$ | 2.0                       | M3                    | 5.6 |         |
| LSC-12  | 12.7 | $\phi 4.8 \sim 5.0$ | 2.0                       | M3                    | 5.6 |         |
| LSC-15A | 15.9 | $\phi 4.5 \sim 4.6$ | 2.0                       | M3                    | 5.6 | 500     |
| LSC-19  | 19.1 | $\phi 4.5 \sim 4.6$ | 2.0                       | M3                    | 5.6 |         |



**P.C. 板間隔柱 SPACER SUPPORT 3-96-1**

- MATERIAL: NYLON 66(UL)
- FLAME CLASS: 94V-2
- COLOR: NATURAL

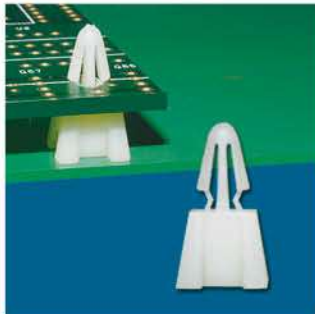
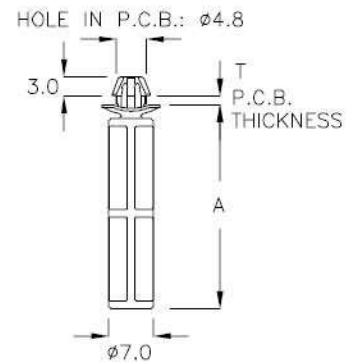
| PART NO | A    | T<br>MAXIMUM<br>THICKNESS | PACKAGE |
|---------|------|---------------------------|---------|
| LSC-6   | 6.35 | 2.0                       | 1000    |



**P.C. 板間隔柱 SPACER SUPPORT 3-96-2**

- MATERIAL: NYLON 66(UL)
- FLAME CLASS: 94V-2
- COLOR: NATURAL

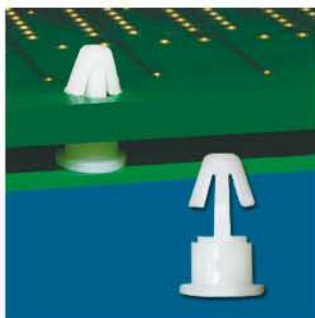
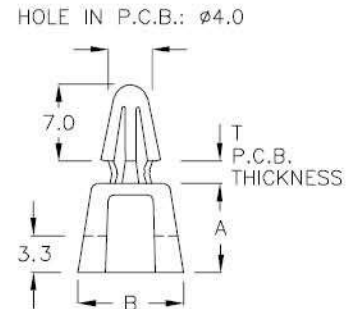
| PART NO | A    | T<br>P.C.B.<br>THICKNESS | PACKAGE |
|---------|------|--------------------------|---------|
| TBW-36A | 36.2 | 1.6                      | 500     |



**P.C. 板間隔柱 SPACER SUPPORT 3-96-3**

- MATERIAL: NYLON 66(UL)
- FLAME CLASS: 94V-2
- COLOR: NATURAL

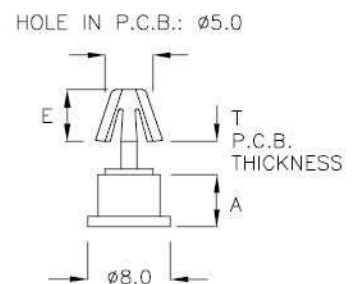
| PART NO | A   | B   | T<br>P.C.B.<br>THICKNESS | PACKAGE |
|---------|-----|-----|--------------------------|---------|
| TCP-08  | 7.9 | 9.5 | 1.3~1.6                  | 500     |

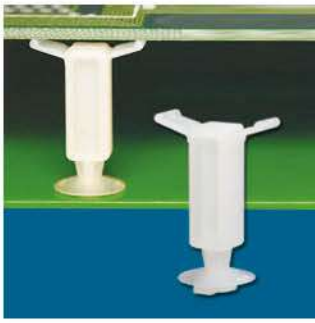


**P.C. 板間隔柱 SPACER SUPPORT 3-96-4**

- MATERIAL: NYLON 66(UL)
- FLAME CLASS: 94V-2
- COLOR: NATURAL

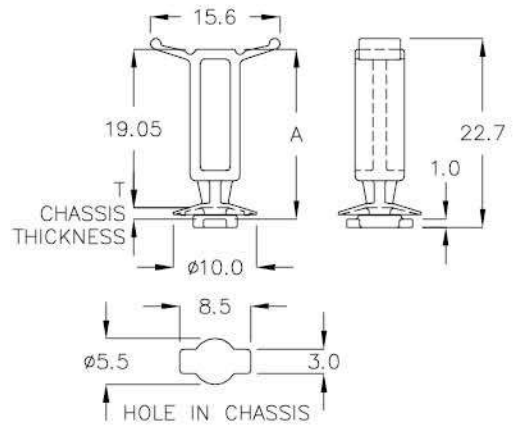
| PART NO | A    | T<br>P.C.B.<br>THICKNESS | E   | PACKAGE |
|---------|------|--------------------------|-----|---------|
| MA-005  | 5.0  | 2.8~3.0                  | 5.1 | 1000    |
| MA-012  | 12.0 | 2.8~3.0                  | 5.0 | 500     |
| MA-014  | 14.0 | 2.8~3.0                  | 5.0 |         |





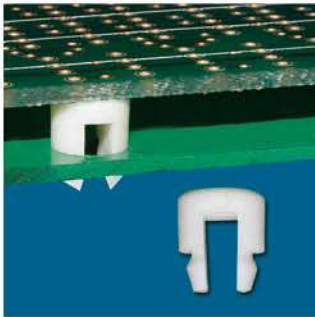
**P.C. 板間隔柱 SPACER SUPPORT 3-97-1**

- MATERIAL: NYLON 66(UL)
- FLAME CLASS: 94V-2
- COLOR: NATURAL



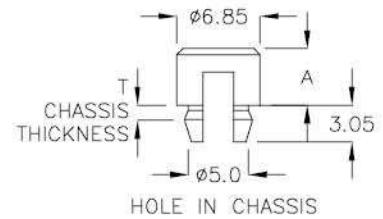
INSERT WITH 90 DEGREE ANGLE AND PRESS DOWN

| PART NO | A    | T<br>CHASSIS THICKNESS | PACKAGE |
|---------|------|------------------------|---------|
| KPD-24A | 20.4 | 1.0                    | 1000    |



**P.C. 板間隔柱 SPACER SUPPORT 3-97-2**

- MATERIAL: NYLON 66(UL)
- FLAME CLASS: 94V-2
- COLOR: NATURAL

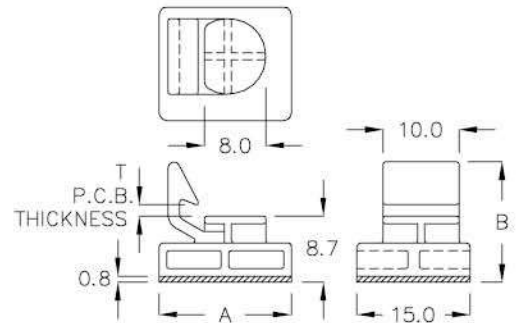


| PART NO | A    | T<br>CHASSIS THICKNESS | PACKAGE |
|---------|------|------------------------|---------|
| MHG-05  | 4.65 | 0.6~0.8                | 1000    |



**P.C. 板間隔柱 SPACER SUPPORT 3-97-3**

- MATERIAL: NYLON 66(UL)
- FLAME CLASS: 94V-2
- COLOR: BLACK
- ADHESIVE TAPE: 3M

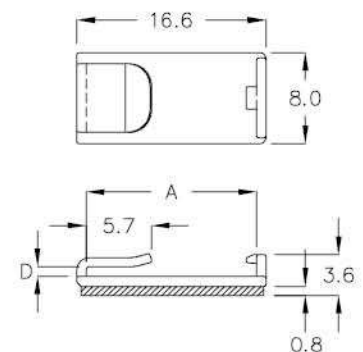


| PART NO | A    | B    | T<br>P.C.B. THICKNESS | PACKAGE |
|---------|------|------|-----------------------|---------|
| LSS-8K  | 17.5 | 15.9 | 1.8                   | 500     |



**P.C. 板間隔柱 SPACER SUPPORT 3-97-4**

- MATERIAL: NYLON 66(UL)
- FLAME CLASS: 94V-2
- COLOR: NATURAL
- ADHESIVE TAPE: 3M

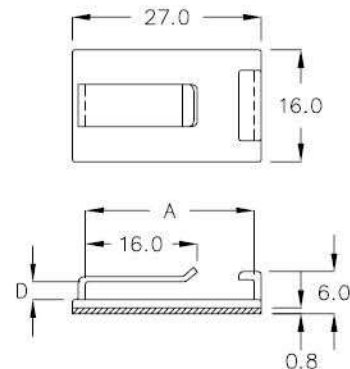


| PART NO | A    | D   | PACKAGE |
|---------|------|-----|---------|
| FKD-16Y | 15.0 | 0.8 | 1000    |



**P.C. 板間隔柱 SPACER SUPPORT 3-98-1**

- MATERIAL: NYLON 66(UL)
- FLAME CLASS: 94V-2
- COLOR: NATURAL
- ADHESIVE TAPE: 3M

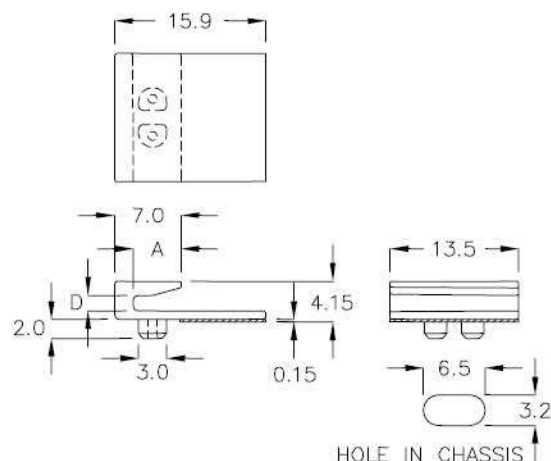


| PART NO  | A    | D   | PACKAGE |
|----------|------|-----|---------|
| FKM-27JC | 23.8 | 2.4 | 200     |

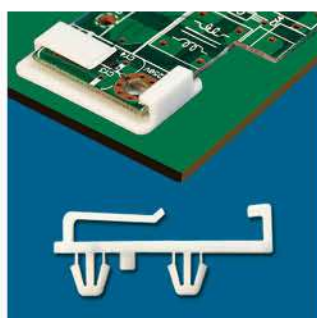


**P.C. 板間隔柱 SPACER SUPPORT 3-98-2**

- MATERIAL: PC(UL)
- FLAME CLASS: 94V-2
- COLOR: BLACK
- ADHESIVE TAPE: 3M

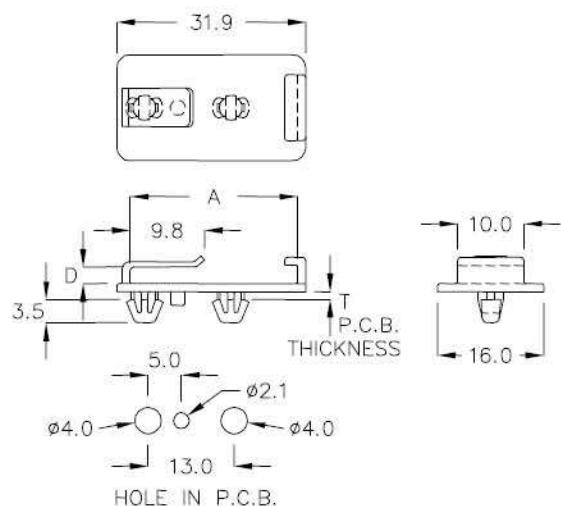


| PART NO | A   | D   | PACKAGE |
|---------|-----|-----|---------|
| MWF-13C | 5.0 | 1.6 | 1000    |

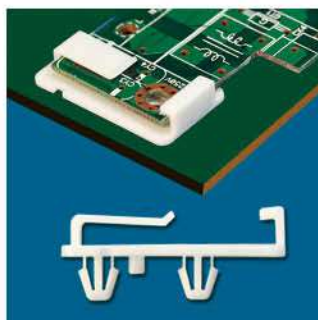


**P.C. 板間隔柱 SPACER SUPPORT 3-98-3**

- MATERIAL: NYLON 66(UL)
- FLAME CLASS: 94V-2
- COLOR: NATURAL



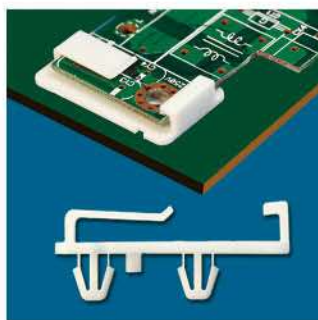
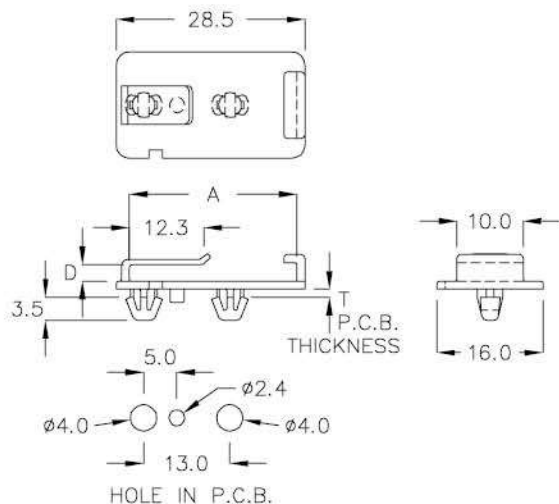
| PART NO  | A    | D   | T<br>P.C.B.<br>THICKNESS | PACKAGE |
|----------|------|-----|--------------------------|---------|
| FKC-31AP | 28.7 | 1.7 | 0.5~0.8                  | 200     |
| FKC-31Y  | 28.7 | 2.5 | 0.6~0.8                  |         |



**P.C. 板間隔柱 SPACER SUPPORT 3-99-1**

- MATERIAL: NYLON 66(UL)
- FLAME CLASS: 94V-2
- COLOR: NATURAL

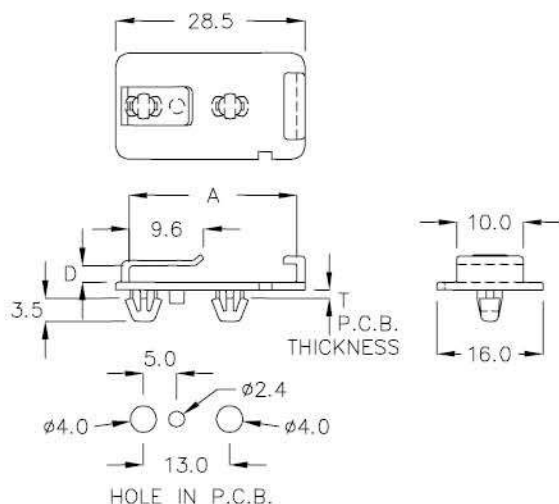
| PART NO  | A    | D   | T<br>P.C.B.<br>THICKNESS | PACKAGE |
|----------|------|-----|--------------------------|---------|
| FKC-28AS | 25.3 | 2.5 | 0.6~0.8                  | 200     |



**P.C. 板間隔柱 SPACER SUPPORT 3-99-2**

- MATERIAL: NYLON 66(UL)
- FLAME CLASS: 94V-2
- COLOR: NATURAL

| PART NO  | A    | D   | T<br>P.C.B.<br>THICKNESS | PACKAGE |
|----------|------|-----|--------------------------|---------|
| FKC-28PQ | 25.3 | 2.5 | 0.6~0.8                  | 200     |

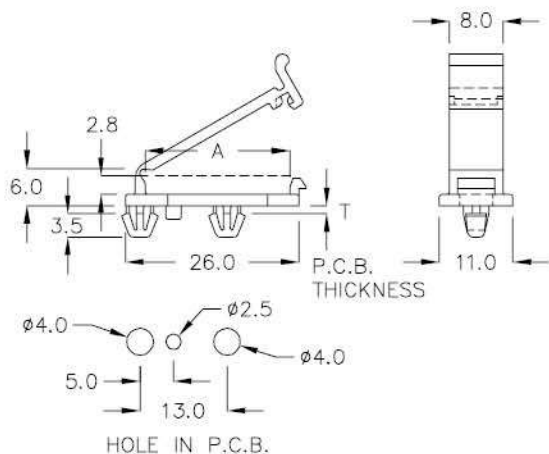


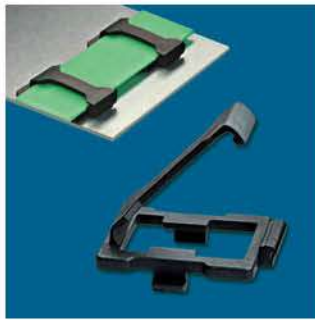
**P.C. 板間隔柱 SPACER SUPPORT 3-99-3**

- MATERIAL: NYLON 66(UL)
- FLAME CLASS: 94V-2
- COLOR: BLACK

WITH LOCK FEATURE

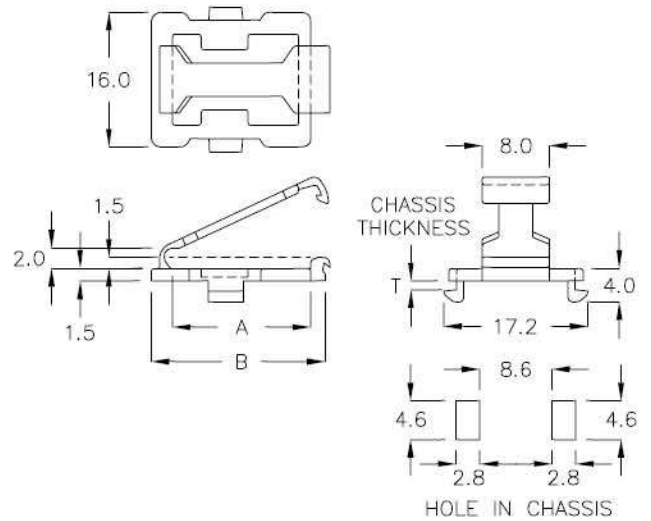
| PART NO | A    | T<br>P.C.B.<br>THICKNESS | PACKAGE |
|---------|------|--------------------------|---------|
| CYF-21  | 21.6 | 0.6~0.8                  | 100     |





P.C. 板間隔柱 SPACER SUPPORT ———— 3-100-1

- MATERIAL: NYLON 66(UL)
- FLAME CLASS: 94V-2
- COLOR: BLACK



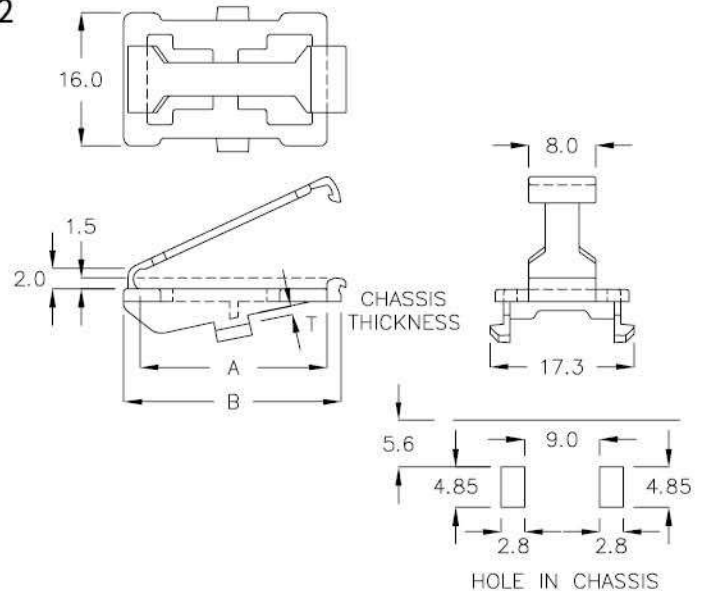
WITH LOCK FEATURE

| PART NO    | A    | B    | T<br>CHASSIS<br>THICKNESS | PACKAGE |
|------------|------|------|---------------------------|---------|
| ★ CYFJ-15T | 15.2 | 21.4 | 0.8~1.0                   | 200     |
| CYFJ-16A   | 16.5 | 20.7 | 0.8~1.0                   |         |



P.C. 板間隔柱 SPACER SUPPORT ———— 3-100-2

- MATERIAL: NYLON 66(UL)
- FLAME CLASS: 94V-2
- COLOR: BLACK



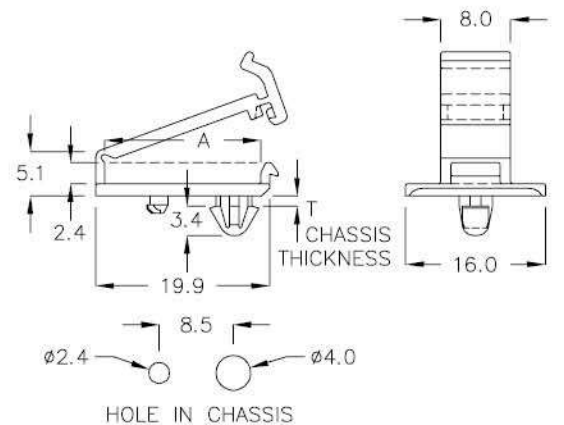
WITH LOCK FEATURE

| PART NO   | A    | B    | T<br>CHASSIS<br>THICKNESS | PACKAGE |
|-----------|------|------|---------------------------|---------|
| ★ CYFQ-22 | 22.4 | 26.1 | 0.8~1.0                   | 100     |



P.C. 板間隔柱 SPACER SUPPORT ———— 3-100-3

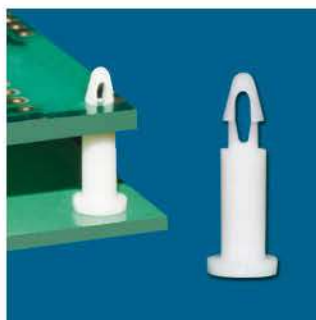
- MATERIAL: NYLON 66(UL)
- FLAME CLASS: 94V-2
- COLOR: NATURAL



WITH LOCK FEATURE

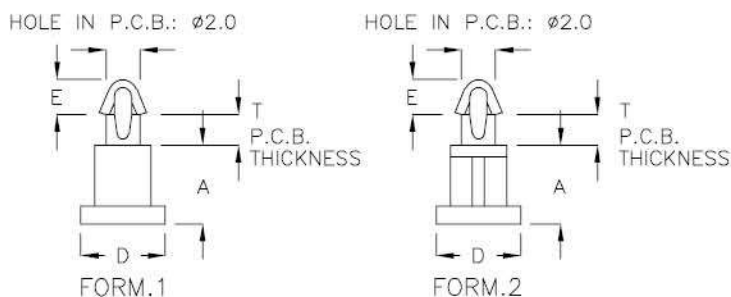
| PART NO  | A    | T<br>CHASSIS<br>THICKNESS | PACKAGE |
|----------|------|---------------------------|---------|
| CYFG-17A | 17.9 | 0.6~0.8                   | 200     |





## P.C. 板間隔柱 SPACER SUPPORT ———— 3-61-1 |

- MATERIAL: NYLON 66(UL)
- FLAME CLASS: 94V-2
- COLOR: NATURAL



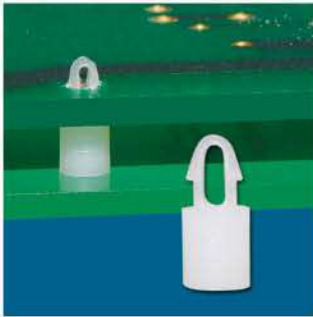
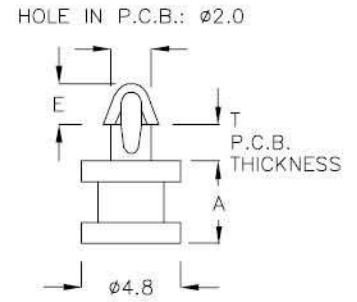
| PART NO | A    | D    | T<br>P.C.B.<br>THICKNESS | E   | FORM | PACKAGE |
|---------|------|------|--------------------------|-----|------|---------|
| PCE-1A  | 1.5  | ø4.8 | 1.4~1.6                  | 2.0 | 1    | 2000    |
| PCE-1C  | 1.8  | ø4.2 | 1.4~1.6                  | 2.0 | 1    |         |
| PCE-02  | 2.0  | ø4.2 | 1.4~1.6                  | 2.3 | 1    |         |
| PCE-2A  | 2.5  | ø4.8 | 1.4~1.6                  | 2.0 | 1    |         |
| PCE-2C  | 2.0  | ø4.8 | 1.8~2.0                  | 2.0 | 1    |         |
| PCE-2D  | 2.9  | ø4.2 | 1.4~1.6                  | 2.3 | 1    |         |
| PCE-2F  | 2.0  | ø4.2 | 0.8~1.0                  | 2.0 | 1    |         |
| PCE-2H  | 2.2  | ø4.2 | 1.0~1.2                  | 2.0 | 1    |         |
| PCE-2K  | 1.8  | ø4.2 | 1.0~1.2                  | 2.0 | 1    |         |
| PCE-2XC | 2.15 | ø4.2 | 1.4~1.6                  | 2.0 | 1    |         |
| PCE-03  | 3.0  | ø4.2 | 1.4~1.6                  | 2.0 | 1    |         |
| PCE-3A  | 2.6  | ø4.1 | 1.4~1.6                  | 2.0 | 1    |         |
| PCE-3DF | 3.2  | ø4.8 | 1.4~1.6                  | 2.1 | 1    |         |
| PCE-3K  | 3.5  | ø4.8 | 1.4~1.6                  | 2.0 | 1    |         |
| PCE-3PW | 3.85 | ø6.0 | 1.4~1.6                  | 2.0 | 1    |         |
| PCE-3RY | 3.75 | ø4.8 | 1.4~1.6                  | 2.0 | 1    |         |
| PCE-4A  | 4.0  | ø4.8 | 1.4~1.6                  | 2.1 | 1    |         |
| PCE-4F  | 4.7  | ø4.8 | 1.4~1.6                  | 2.0 | 1    |         |
| PCE-4M  | 4.5  | ø4.8 | 1.4~1.6                  | 2.0 | 1    |         |
| PCE-05  | 5.0  | ø4.8 | 1.4~1.6                  | 2.0 | 1    |         |
| PCE-5JD | 5.0  | ø4.8 | 1.0~1.2                  | 2.0 | 1    |         |
| PCE-5QR | 5.0  | ø6.0 | 1.4~1.6                  | 2.0 | 2    |         |
| PCE-5TS | 5.3  | ø4.8 | 0.8~1.0                  | 2.3 | 1    |         |
| PCE-5K  | 5.6  | ø4.8 | 1.4~1.6                  | 2.0 | 1    |         |
| PCE-06  | 6.0  | ø4.8 | 1.4~1.6                  | 2.1 | 1    |         |
| PCE-6A  | 6.5  | ø4.8 | 1.4~1.6                  | 2.2 | 1    |         |
| PCE-6C  | 6.5  | ø4.8 | 1.4~1.6                  | 2.0 | 1    |         |
| PCE-6NS | 6.5  | ø6.0 | 1.4~1.6                  | 2.0 | 2    |         |
| PCE-07  | 7.0  | ø4.2 | 1.0~1.2                  | 2.0 | 1    |         |
| PCE-08  | 8.0  | ø4.8 | 1.4~1.6                  | 3.0 | 1    |         |
| PCE-09  | 9.0  | ø5.0 | 1.4~1.6                  | 2.0 | 1    |         |



**P.C. 板間隔柱 SPACER SUPPORT 3-62-1**

- MATERIAL: NYLON 66(UL)
- FLAME CLASS: 94V-2
- COLOR: NATURAL

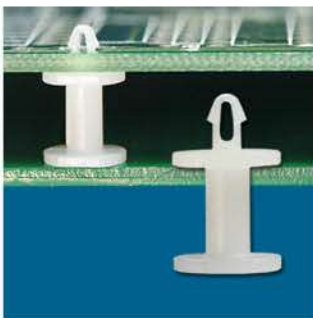
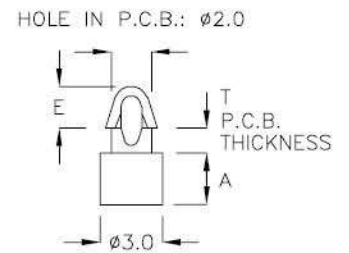
| PART NO | A   | T<br>P.C.B.<br>THICKNESS | E   | PACKAGE |
|---------|-----|--------------------------|-----|---------|
| PCE-4D  | 4.0 | 1.4~1.6                  | 2.1 | 2000    |



**P.C. 板間隔柱 SPACER SUPPORT 3-62-2**

- MATERIAL: NYLON 66(UL)
- FLAME CLASS: 94V-2
- COLOR: NATURAL

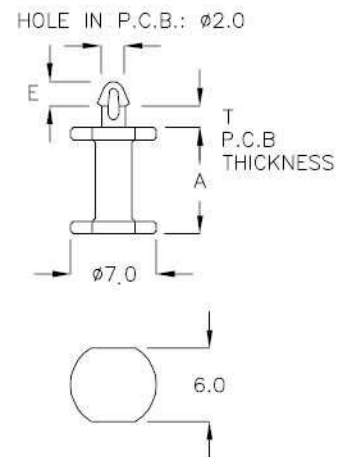
| PART NO | A   | T<br>P.C.B.<br>THICKNESS | E   | PACKAGE |
|---------|-----|--------------------------|-----|---------|
| PCR-2C  | 2.5 | 0.8~1.0                  | 2.0 | 2000    |
| PCR-03  | 3.0 | 0.8~1.0                  | 2.0 |         |
| PCR-3M  | 3.5 | 0.8~1.0                  | 2.0 |         |
| PCR-04  | 4.0 | 0.8~1.0                  | 2.0 |         |
| PCR-4M  | 4.5 | 0.8~1.0                  | 2.0 |         |

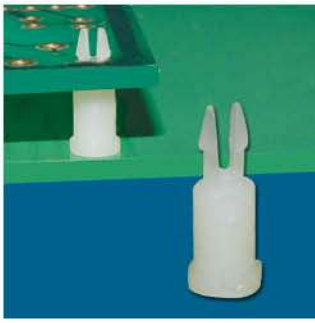


**P.C. 板間隔柱 SPACER SUPPORT 3-62-3**

- MATERIAL: NYLON 66(UL)
- FLAME CLASS: 94V-2
- COLOR: NATURAL

| PART NO | A    | T<br>P.C.B.<br>THICKNESS | E   | PACKAGE |
|---------|------|--------------------------|-----|---------|
| PCE-8MR | 8.0  | 1.4~1.6                  | 2.0 | 2000    |
| PCE-10F | 10.5 | 1.4~1.6                  | 2.0 |         |
| PCE-11  | 11.0 | 1.4~1.6                  | 2.0 |         |

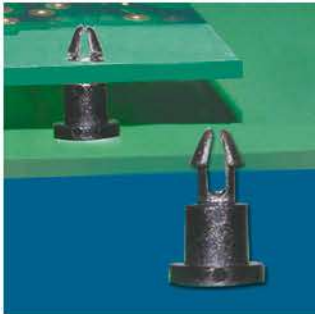
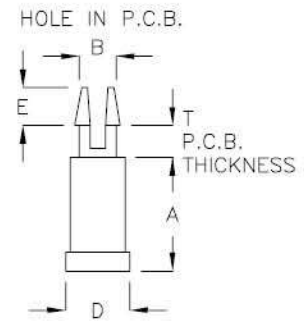




**P.C. 板間隔柱 SPACER SUPPORT 3-63-1**

- MATERIAL: NYLON 66(UL)
- FLAME CLASS: 94V-2
- COLOR: NATURAL

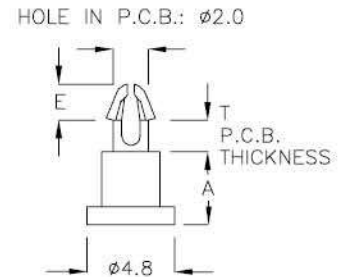
| PART NO | A   | B<br>HOLE IN<br>P.C.B. | D    | E   | T<br>P.C.B.<br>THICKNESS | PACKAGE |
|---------|-----|------------------------|------|-----|--------------------------|---------|
| PCA-3   | 3.0 | ∅2.0                   | ∅3.4 | 2.6 | 0.8~1.0                  | 2000    |
| PCA-3C  | 3.0 | ∅2.0                   | ∅3.4 | 2.6 | 1.0~1.2                  |         |
| PCA-4   | 4.0 | ∅1.5                   | ∅3.0 | 2.0 | 1.4~1.6                  |         |
| PCA-4A  | 4.0 | ∅2.0                   | ∅3.5 | 2.0 | 1.4~1.6                  |         |
| PCA-4C  | 4.7 | ∅2.0                   | ∅4.8 | 2.6 | 1.4~1.6                  |         |
| PCA-5   | 5.0 | ∅2.0                   | ∅3.5 | 2.0 | 1.4~1.6                  |         |



**P.C. 板間隔柱 SPACER SUPPORT 3-63-2**

- MATERIAL: NYLON 66(UL)
- FLAME CLASS: 94V-2
- COLOR: NATURAL, BLACK

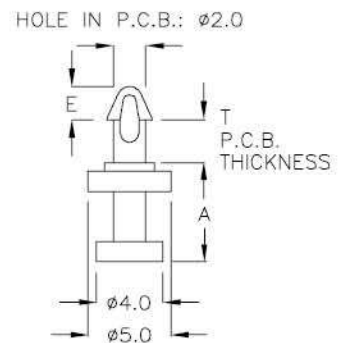
| PART NO | A   | T<br>P.C.B.<br>THICKNESS | E   | PACKAGE |
|---------|-----|--------------------------|-----|---------|
| PCC-03  | 3.0 | 1.4~1.6                  | 2.0 | 2000    |
| PCC-04  | 4.0 | 1.4~1.6                  | 2.0 |         |
| PCC-05  | 5.0 | 1.4~1.6                  | 2.0 |         |



**P.C. 板間隔柱 SPACER SUPPORT 3-63-3**

- MATERIAL: NYLON 66(UL)
- FLAME CLASS: 94V-2
- COLOR: NATURAL

| PART NO | A   | T<br>P.C.B.<br>THICKNESS | E   | PACKAGE |
|---------|-----|--------------------------|-----|---------|
| PCY-06  | 5.9 | 2.2~2.4                  | 2.0 | 2000    |

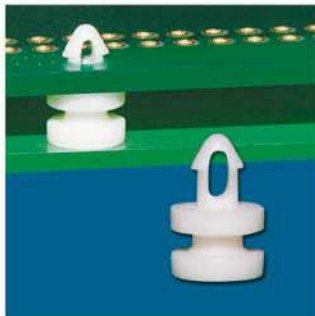
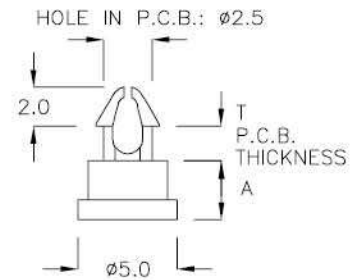




**P.C. 板間隔柱 SPACER SUPPORT 3-64-1**

- MATERIAL: NYLON 66(UL)
- FLAME CLASS: 94V-2
- COLOR: NATURAL

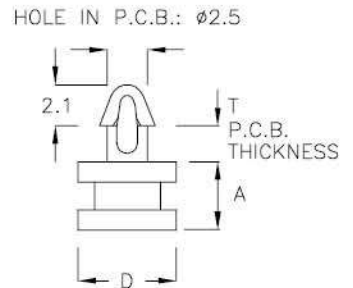
| PART NO | A    | T<br>P.C.B.<br>THICKNESS | PACKAGE |
|---------|------|--------------------------|---------|
| PHA-2T  | 2.95 | 1.4~1.6                  | 2000    |



**P.C. 板間隔柱 SPACER SUPPORT 3-64-2**

- MATERIAL: NYLON 66(UL)
- FLAME CLASS: 94V-2
- COLOR: NATURAL

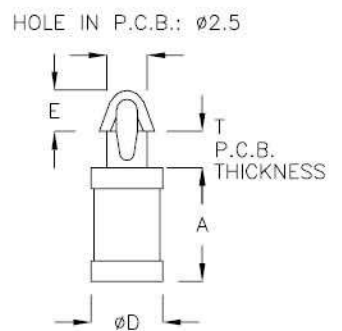
| PART NO | A   | D          | T<br>P.C.B.<br>THICKNESS | PACKAGE |
|---------|-----|------------|--------------------------|---------|
| PCK-4C  | 4.1 | $\phi 5.5$ | 1.8~2.0                  | 2000    |
| PCK-4G  | 4.0 | $\phi 4.4$ | 0.8~1.0                  |         |

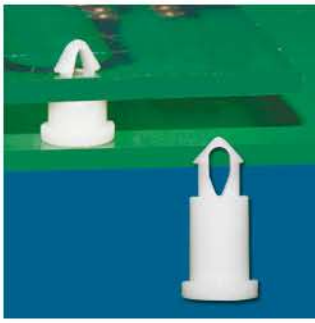


**P.C. 板間隔柱 SPACER SUPPORT 3-64-3**

- MATERIAL: NYLON 66(UL)
- FLAME CLASS: 94V-2
- COLOR: NATURAL

| PART NO | A   | D   | T<br>P.C.B.<br>THICKNESS | E   | PACKAGE |
|---------|-----|-----|--------------------------|-----|---------|
| PCK-1MF | 1.6 | 3.5 | 0.8~1.0                  | 2.0 | 2000    |
| PCK-2M  | 2.5 | 3.5 | 0.8~1.0                  | 2.0 |         |
| PCK-3M  | 3.5 | 4.4 | 0.8~1.0                  | 2.0 |         |
| PCK-4M  | 4.5 | 4.4 | 0.8~1.0                  | 2.0 |         |
| PCK-05  | 5.0 | 4.4 | 0.8~1.0                  | 2.0 |         |
| PCK-5A  | 5.6 | 4.4 | 0.8~1.0                  | 2.4 |         |
| PCK-7A  | 7.0 | 4.4 | 1.4~1.6                  | 2.4 |         |
| PCK-7C  | 7.5 | 4.4 | 0.8~1.0                  | 2.3 |         |
| PCK-8A  | 8.0 | 4.4 | 1.4~1.6                  | 2.2 |         |
| PCK-9A  | 8.9 | 4.4 | 1.4~1.6                  | 2.2 |         |

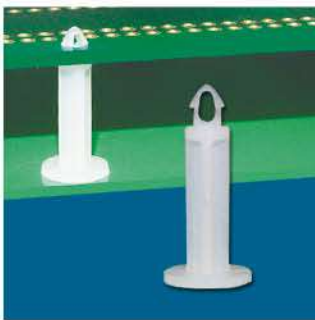
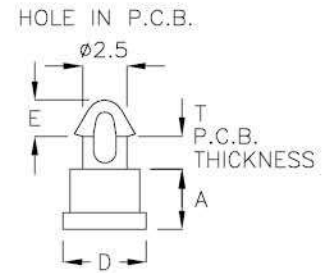




**P.C. 板間隔柱 SPACER SUPPORT 3-65-1**

- MATERIAL: NYLON 66(UL)
- FLAME CLASS: 94V-2
- COLOR: NATURAL

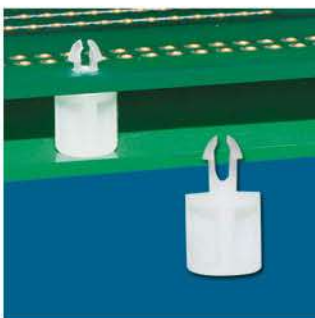
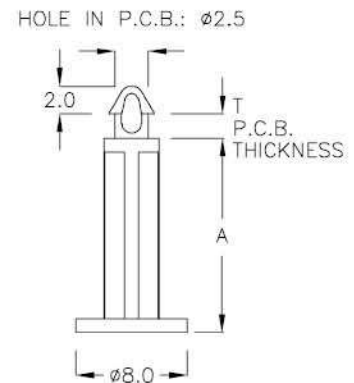
| PART NO | A    | D    | T<br>CHASSIS<br>THICKNESS | E   | PACKAGE |
|---------|------|------|---------------------------|-----|---------|
| PCK-1TF | 1.5  | ø4.5 | 0.8~1.0                   | 2.0 | 2000    |
| PCK-1A  | 1.5  | ø4.5 | 1.4~1.6                   | 2.1 |         |
| PCK-2A  | 2.5  | ø4.5 | 1.4~1.6                   | 2.0 |         |
| PCK-2C  | 2.7  | ø6.0 | 1.4~1.6                   | 2.2 |         |
| PCK-2D  | 2.8  | ø5.0 | 1.4~1.6                   | 2.0 |         |
| PCK-2F  | 2.8  | ø5.0 | 1.5~1.7                   | 2.0 |         |
| PCK-2J  | 2.95 | ø5.0 | 1.4~1.6                   | 2.0 |         |
| PCK-3A  | 3.5  | ø4.5 | 1.4~1.6                   | 2.0 |         |
| PCK-04  | 4.0  | ø4.5 | 1.4~1.6                   | 1.8 |         |
| PCK-4A  | 4.5  | ø4.5 | 1.4~1.6                   | 2.0 |         |
| PCK-4F  | 4.0  | ø5.0 | 1.4~1.6                   | 2.0 |         |
| PCK-5K  | 5.0  | ø3.6 | 1.9~2.1                   | 2.0 |         |
| PCK-5RH | 5.0  | ø4.5 | 1.4~1.6                   | 1.6 |         |
| PCK-06  | 6.0  | ø4.5 | 1.6~1.8                   | 1.5 |         |



**P.C. 板間隔柱 SPACER SUPPORT 3-65-2**

- MATERIAL: NYLON 66(UL)
- FLAME CLASS: 94V-2
- COLOR: NATURAL

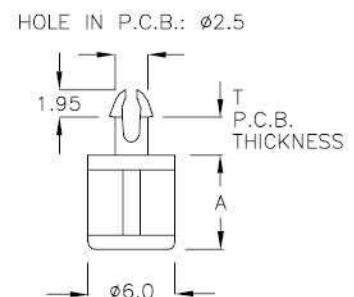
| PART NO | A    | T<br>P.C.B.<br>THICKNESS | PACKAGE |
|---------|------|--------------------------|---------|
| PCK-14  | 14.0 | 1.4~1.6                  | 2000    |
| PCK-15  | 15.0 | 1.4~1.6                  |         |

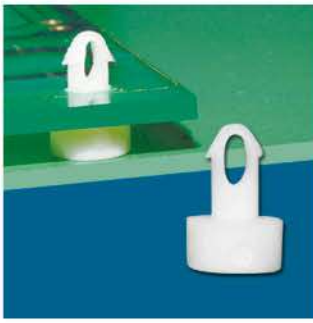


**P.C. 板間隔柱 SPACER SUPPORT 3-65-3**

- MATERIAL: NYLON 66(UL)
- FLAME CLASS: 94V-2
- COLOR: NATURAL

| PART NO | A   | T<br>P.C.B.<br>THICKNESS | PACKAGE |
|---------|-----|--------------------------|---------|
| PCK-6C  | 6.5 | 2.2~2.45                 | 2000    |

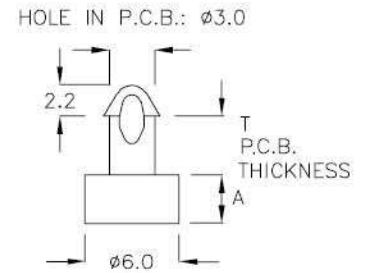




**P.C. 板間隔柱 SPACER SUPPORT 3-66-1**

- MATERIAL: NYLON 66(UL)
- FLAME CLASS: 94V-2
- COLOR: NATURAL

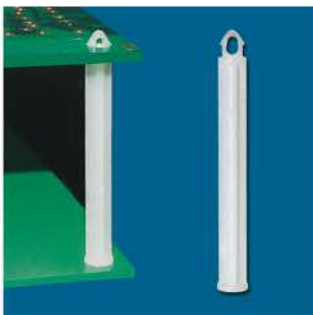
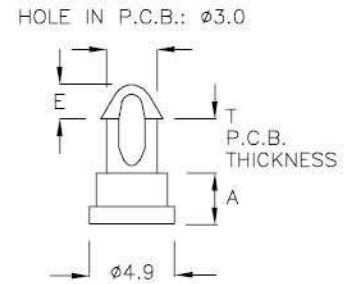
| PART NO | A   | T<br>P.C.B.<br>THICKNESS | PACKAGE |
|---------|-----|--------------------------|---------|
| PCS-2A  | 3.1 | 3.3 ~ 3.5                | 2000    |



**P.C. 板間隔柱 SPACER SUPPORT 3-66-2**

- MATERIAL: NYLON 66(UL)
- FLAME CLASS: 94V-2
- COLOR: NATURAL

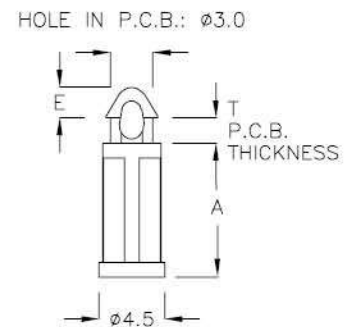
| PART NO | A    | T<br>P.C.B.<br>THICKNESS | E   | PACKAGE |
|---------|------|--------------------------|-----|---------|
| PCJ-3S  | 2.9  | 2.6 ~ 2.85               | 2.0 | 2000    |
| PCJ-3T  | 3.5  | 2.3 ~ 2.5                | 2.0 |         |
| PCJ-3M  | 3.5  | 3.3 ~ 3.5                | 2.1 |         |
| PCJ-4A  | 3.85 | 3.4 ~ 3.65               | 2.2 |         |
| PCJ-4M  | 4.5  | 2.3 ~ 2.5                | 2.1 |         |

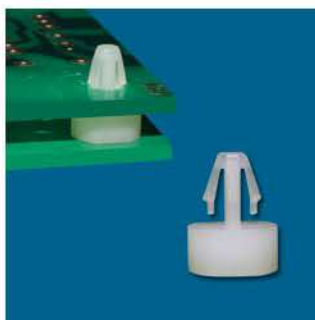


**P.C. 板間隔柱 SPACER SUPPORT 3-66-3**

- MATERIAL: NYLON 66(UL)
- FLAME CLASS: 94V-2
- COLOR: NATURAL

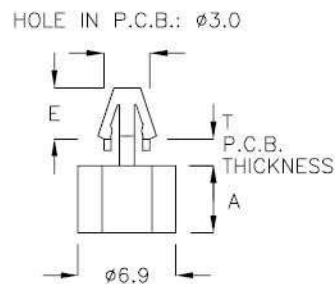
| PART NO | A    | T<br>P.C.B.<br>THICKNESS | E   | PACKAGE |
|---------|------|--------------------------|-----|---------|
| PCJ-9FQ | 9.5  | 0.8 ~ 1.0                | 2.0 | 2000    |
| PCJ-33A | 33.7 | 1.4 ~ 1.6                | 2.1 | 500     |





### P.C. 板間隔柱 SPACER SUPPORT 3-67-1

- MATERIAL: NYLON 66(UL)
- FLAME CLASS: 94V-2
- COLOR: NATURAL

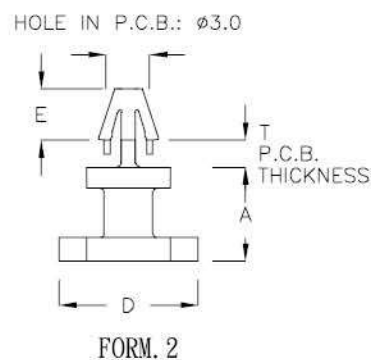
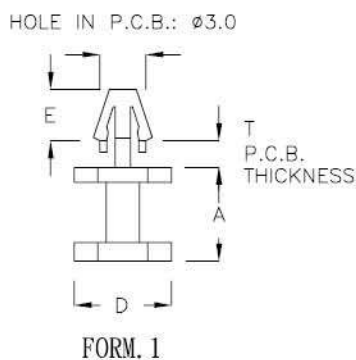


| PART NO | A   | T<br>P.C.B.<br>THICKNESS | E   | PACKAGE |
|---------|-----|--------------------------|-----|---------|
| DCBS-2  | 2.0 | 1.2~1.7                  | 3.8 | 2000    |
| DCBS-2A | 2.5 | 1.2~1.7                  | 3.8 |         |
| DCBS-3  | 3.0 | 1.2~1.7                  | 3.7 |         |
| DCBS-3A | 3.3 | 1.2~1.7                  | 3.7 |         |
| DCBS-3M | 3.5 | 1.2~1.7                  | 3.7 |         |

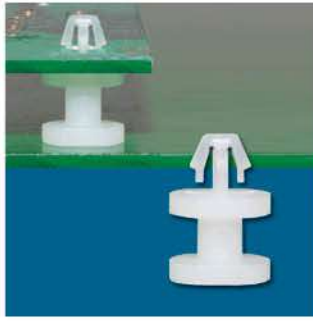


### P.C. 板間隔柱 SPACER SUPPORT 3-67-2

- MATERIAL: NYLON 66(UL)
- FLAME CLASS: 94V-2
- COLOR: NATURAL

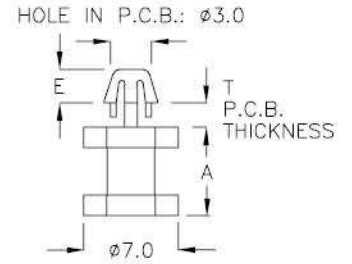


| PART NO   | A    | D           | T<br>P.C.B.<br>THICKNESS | E   | FORM | PACKAGE |
|-----------|------|-------------|--------------------------|-----|------|---------|
| DCBS-4    | 4.0  | $\phi 7.0$  | 1.2~1.6                  | 3.8 | 1    | 2000    |
| DCBS-4C   | 4.0  | $\phi 6.0$  | 1.2~1.6                  | 3.7 | 1    |         |
| DCBS-4M   | 4.5  | $\phi 7.0$  | 1.2~1.6                  | 3.8 | 1    |         |
| DCBS-5    | 5.0  | $\phi 7.0$  | 1.2~1.6                  | 3.8 | 1    |         |
| DCBS-5M   | 5.5  | $\phi 7.0$  | 1.2~1.6                  | 3.8 | 1    |         |
| DCBS-6    | 6.0  | $\phi 7.0$  | 1.2~1.6                  | 3.8 | 1    |         |
| DCBS-7    | 7.0  | $\phi 7.0$  | 1.2~1.6                  | 3.7 | 1    |         |
| DCBS-8    | 8.0  | $\phi 7.0$  | 1.2~1.6                  | 3.8 | 1    |         |
| DCBS-8A   | 8.0  | $\phi 6.8$  | 1.2~1.6                  | 4.3 | 1    |         |
| DCBS-8C   | 8.0  | $\phi 7.0$  | 2.0~2.2                  | 3.3 | 1    |         |
| DCBS-8M   | 8.5  | $\phi 7.0$  | 1.2~1.6                  | 3.7 | 1    |         |
| DCBS-9    | 9.0  | $\phi 7.0$  | 1.2~1.6                  | 3.8 | 1    |         |
| DCBS-10   | 10.0 | $\phi 7.0$  | 1.2~1.6                  | 3.8 | 1    |         |
| DCBS-10A  | 10.5 | $\phi 7.0$  | 1.2~1.6                  | 3.9 | 1    |         |
| DCBS-11   | 11.0 | $\phi 7.0$  | 1.2~1.6                  | 3.8 | 1    | 1000    |
| DCBS-12   | 12.0 | $\phi 7.0$  | 1.2~1.6                  | 3.8 | 1    |         |
| DCBS-13   | 13.0 | $\phi 7.0$  | 1.2~1.6                  | 3.8 | 1    |         |
| DCBS-14   | 14.0 | $\phi 4.8$  | 1.2~1.6                  | 3.8 | 1    |         |
| DCBS-15   | 15.0 | $\phi 7.0$  | 1.2~1.6                  | 3.8 | 1    |         |
| DCBS-16KH | 16.0 | $\phi 10.0$ | 1.2~1.6                  | 3.7 | 2    |         |



**P.C. 板間隔柱 SPACER SUPPORT ———— 3-68-1**

- MATERIAL: NYLON 66(UL)
- FLAME CLASS: 94V-2
- COLOR: NATURAL

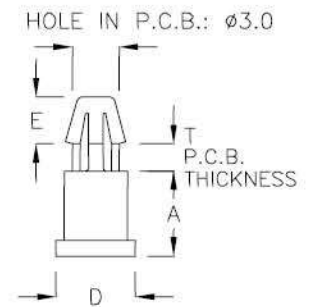


| PART NO | A   | T<br>P.C.B.<br>THICKNESS | E   | PACKAGE |
|---------|-----|--------------------------|-----|---------|
| DCBS-6A | 6.5 | 1.4~1.6                  | 2.5 | 2000    |



**P.C. 板間隔柱 SPACER SUPPORT ———— 3-68-2**

- MATERIAL: NYLON 66(UL)
- FLAME CLASS: 94V-2
- COLOR: NATURAL

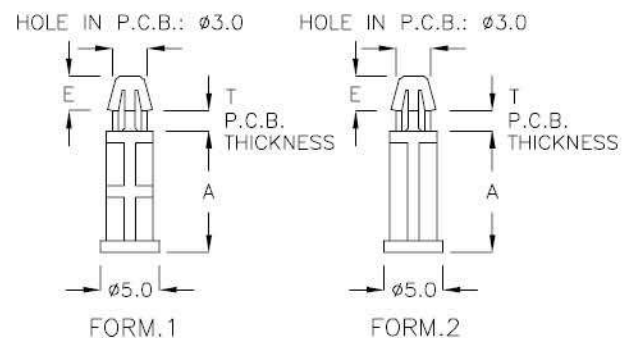


| PART NO | A   | T<br>P.C.B.<br>THICKNESS | E    | D          | PACKAGE |
|---------|-----|--------------------------|------|------------|---------|
| PCF-2A  | 2.5 | 1.4~1.6                  | 2.95 | $\phi 5.0$ | 2000    |
| PCF-2C  | 2.8 | 1.4~1.6                  | 2.95 | $\phi 5.0$ |         |
| PCF-03  | 3.0 | 1.4~1.6                  | 3.1  | $\phi 5.0$ |         |
| PCF-3A  | 3.2 | 1.4~1.6                  | 3.1  | $\phi 5.0$ |         |
| PCF-3C  | 3.0 | 1.4~1.6                  | 2.95 | $\phi 6.0$ |         |
| PCF-3M  | 3.5 | 1.4~1.6                  | 3.0  | $\phi 5.0$ |         |
| PCF-04  | 4.0 | 1.4~1.6                  | 3.0  | $\phi 5.0$ |         |
| PCF-4A  | 4.5 | 1.4~1.6                  | 2.95 | $\phi 5.0$ |         |
| PCF-05  | 5.0 | 1.4~1.6                  | 3.0  | $\phi 5.0$ |         |
| PCF-5A  | 5.0 | 1.4~1.6                  | 3.1  | $\phi 9.0$ |         |
| PCF-09  | 9.0 | 1.4~1.6                  | 2.95 | $\phi 5.0$ |         |
| PCF-9FK | 9.4 | 1.4~1.6                  | 2.9  | $\phi 6.0$ |         |



**P.C. 板間隔柱 SPACER SUPPORT ———— 3-68-3**

- MATERIAL: NYLON 66(UL)
- FLAME CLASS: 94V-2
- COLOR: NATURAL



| PART NO | A    | T<br>P.C.B.<br>THICKNESS | E   | FORM | PACKAGE |
|---------|------|--------------------------|-----|------|---------|
| PCF-9A  | 9.5  | 1.6                      | 2.7 | 2    | 2000    |
| PCF-10  | 10.0 | 1.6                      | 2.7 | 1    |         |
| PCF-20  | 20.0 | 1.6                      | 2.7 | 1    | 1000    |
| PCF-22  | 22.0 | 1.6                      | 2.9 | 1    |         |
| PCF-25  | 25.0 | 1.6                      | 2.9 | 1    |         |

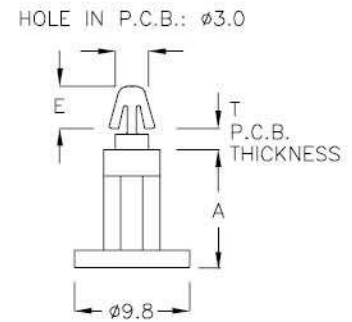




### P.C. 板間隔柱 SPACER SUPPORT 3-69-1

- MATERIAL: NYLON 66(UL)
- FLAME CLASS: 94V-2
- COLOR: NATURAL

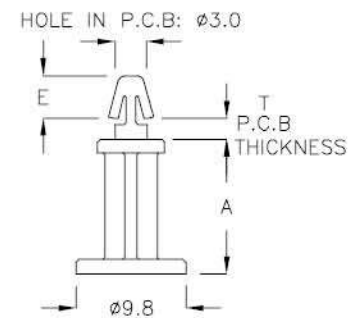
| PART NO | A    | T<br>P.C.B.<br>THICKNESS | E   | PACKAGE |
|---------|------|--------------------------|-----|---------|
| TCF-4A  | 4.5  | 1.6~1.7                  | 3.6 | 2000    |
| TCF-10  | 10.0 | 1.6~1.7                  | 3.8 | 1000    |



### P.C. 板間隔柱 SPACER SUPPORT 3-69-2

- MATERIAL: NYLON 66(UL)
- FLAME CLASS: 94V-2
- COLOR: NATURAL

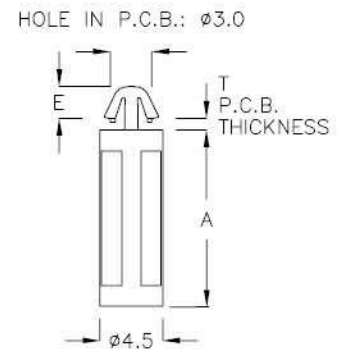
| PART NO | A    | T<br>P.C.B.<br>THICKNESS | E   | PACKAGE |
|---------|------|--------------------------|-----|---------|
| TAX-12D | 12.0 | 1.55~1.65                | 3.8 | 1000    |



### P.C. 板間隔柱 SPACER SUPPORT 3-69-3

- MATERIAL: NYLON 66(UL)
- FLAME CLASS: 94V-2
- COLOR: NATURAL

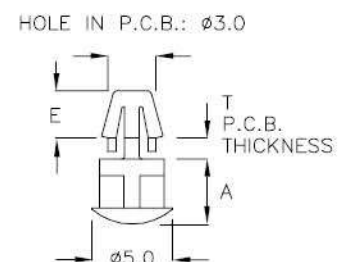
| PART NO | A    | T<br>P.C.B.<br>THICKNESS | E   | PACKAGE |
|---------|------|--------------------------|-----|---------|
| TCW-12A | 12.7 | 0.6                      | 2.3 | 1000    |



### P.C. 板間隔柱 SPACER SUPPORT 3-69-4

- MATERIAL: NYLON 66(UL)
- FLAME CLASS: 94V-2
- COLOR: NATURAL

| PART NO | A   | T<br>P.C.B.<br>THICKNESS | E    | PACKAGE |
|---------|-----|--------------------------|------|---------|
| PCN-04  | 4.0 | 1.0~1.2                  | 2.95 | 2000    |

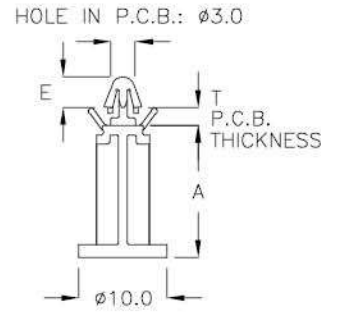




**P.C. 板間隔柱 SPACER SUPPORT ———— 3-70-1**

- MATERIAL: NYLON 66(UL)
- FLAME CLASS: 94V-2
- COLOR: NATURAL

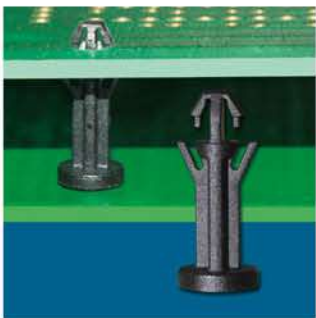
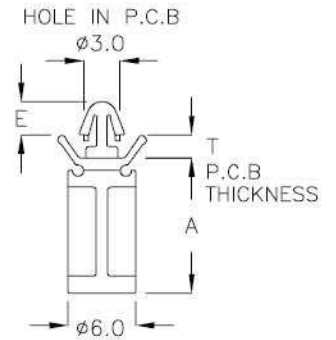
| PART NO | A    | T<br>P.C.B.<br>THICKNESS | E   | PACKAGE |
|---------|------|--------------------------|-----|---------|
| MFR-15  | 15.0 | 1.2~1.6                  | 3.5 | 1000    |



**P.C. 板間隔柱 SPACER SUPPORT ———— 3-70-2**

- MATERIAL: NYLON 66(UL)
- FLAME CLASS: 94V-2
- COLOR: NATURAL

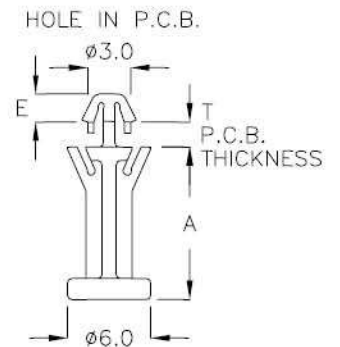
| PART NO | A    | T<br>P.C.B.<br>THICKNESS | E   | PACKAGE |
|---------|------|--------------------------|-----|---------|
| MFD-12  | 12.0 | 1.2~1.6                  | 3.0 | 1000    |



**P.C. 板間隔柱 SPACER SUPPORT ———— 3-70-3**

- MATERIAL: NYLON 66(UL)
- FLAME CLASS: 94V-2
- COLOR: BLACK

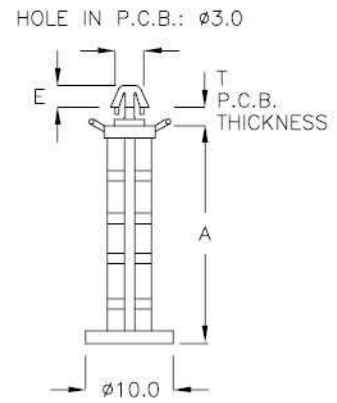
| PART NO  | A    | T<br>CHASSIS<br>THICKNESS | E   | PACKAGE |
|----------|------|---------------------------|-----|---------|
| MFRK-11A | 11.0 | 1.4~1.6                   | 2.0 | 1000    |



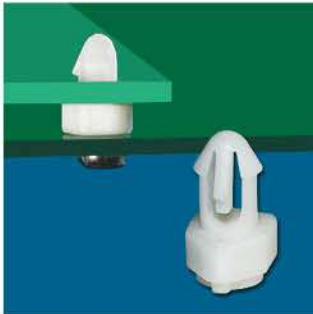


**P.C. 板間隔柱 SPACER SUPPORT ———— 3-71-1**

- MATERIAL: NYLON 66(UL)
- FLAME CLASS: 94V-2
- COLOR: NATURAL

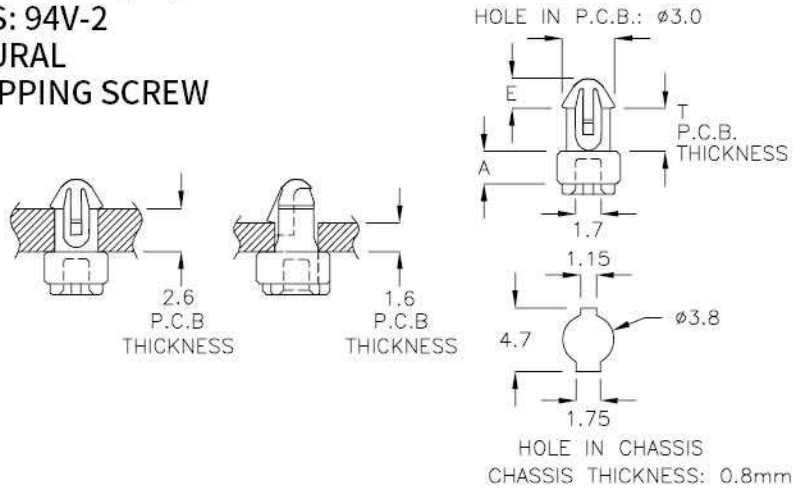


| PART NO  | A    | T<br>P.C.B.<br>THICKNESS | E   | PACKAGE |
|----------|------|--------------------------|-----|---------|
| MFC-37KS | 37.5 | 1.4~1.6                  | 2.7 | 500     |
| MFC-38C  | 38.4 | 1.2~1.6                  | 2.7 |         |

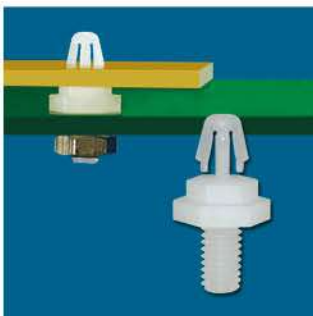


**P.C. 板間隔柱 SPACER SUPPORT ———— 3-71-2**

- MATERIAL: NYLON 66(UL)
- FLAME CLASS: 94V-2
- COLOR: NATURAL
- USE M2x2 TAPPING SCREW

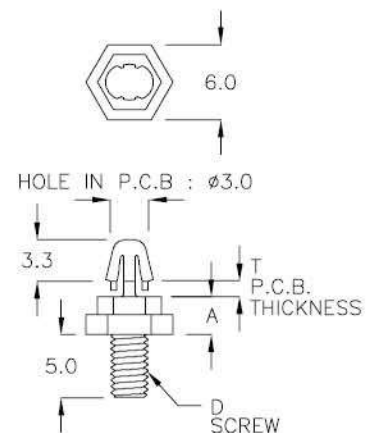


| PART NO | A    | T<br>P.C.B.<br>THICKNESS | E | PACKAGE |
|---------|------|--------------------------|---|---------|
| SDF-2C  | 2.15 | 1.6                      | 2 | 2000    |
|         |      | 2.6                      |   |         |



**P.C. 板間隔柱 SPACER SUPPORT ———— 3-71-3**

- MATERIAL: NYLON 66(UL)
- FLAME CLASS: 94V-2
- COLOR: NATURAL



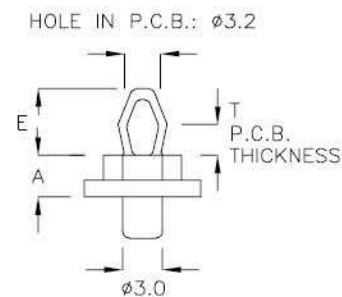
| PART NO | A   | T<br>P.C.B.<br>THICKNESS | D    | PACKAGE |
|---------|-----|--------------------------|------|---------|
| SDM-03  | 3.0 | 0.8~1.0                  | M3   | 2000    |
| SDM-04  | 4.0 | 0.8~1.0                  | M2.5 |         |



**P.C. 板間隔柱 SPACER SUPPORT 3-72-1**

- MATERIAL: NYLON 66(UL)
- FLAME CLASS: 94V-2
- COLOR: NATURAL

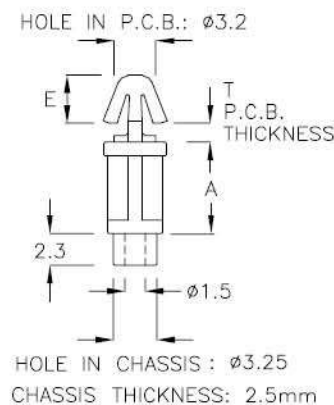
| PART NO | A   | T<br>P.C.B.<br>THICKNESS | E   | PACKAGE |
|---------|-----|--------------------------|-----|---------|
| TCQ-03  | 3.0 | 1.4~1.6                  | 4.8 | 1000    |



**P.C. 板間隔柱 SPACER SUPPORT 3-72-2**

- MATERIAL: NYLON 66(UL)
- FLAME CLASS: 94V-2
- COLOR: NATURAL
- USE M2 TAPPING SCREW

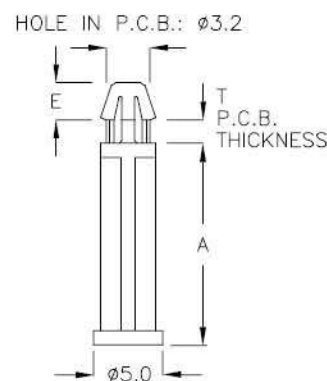
| PART NO | A   | T<br>P.C.B.<br>THICKNESS | E   | PACKAGE |
|---------|-----|--------------------------|-----|---------|
| TAK-6A  | 6.6 | 1.0~1.2                  | 3.5 | 2000    |



**P.C. 板間隔柱 SPACER SUPPORT 3-72-3**

- MATERIAL: NYLON 66(UL)
- FLAME CLASS: 94V-2
- COLOR: NATURAL

| PART NO | A    | T<br>P.C.B.<br>THICKNESS | E   | PACKAGE |
|---------|------|--------------------------|-----|---------|
| TCH-14A | 14.5 | 1.4~1.6                  | 2.7 | 1000    |

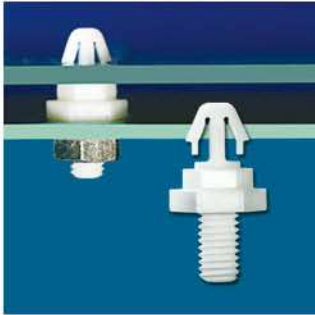
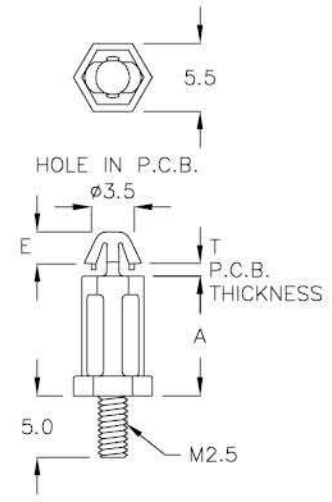




**P.C. 板間隔柱 SPACER SUPPORT 3-73-1**

- MATERIAL: NYLON 66(UL)
- FLAME CLASS: 94V-0
- COLOR: BLACK

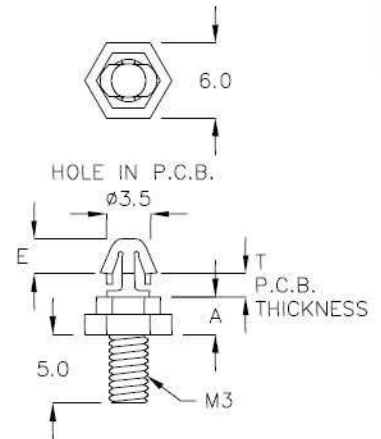
| PART NO | A   | E   | T<br>P.C.B.<br>THICKNESS | PACKAGE |
|---------|-----|-----|--------------------------|---------|
| SDN-9AG | 9.7 | 2.6 | 0.6~0.8                  | 1000    |



**P.C. 板間隔柱 SPACER SUPPORT 3-73-2**

- MATERIAL: NYLON 66(UL)
- FLAME CLASS: 94V-2
- COLOR: NATURAL

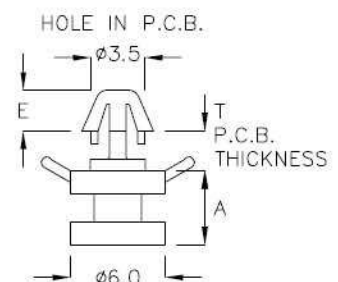
| PART NO | A   | E    | T<br>P.C.B.<br>THICKNESS | PACKAGE |
|---------|-----|------|--------------------------|---------|
| SDC-3TH | 3.0 | 2.75 | 1.2~1.6                  | 2000    |

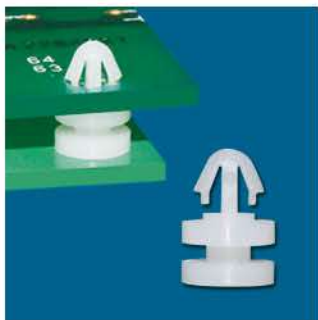


**P.C. 板間隔柱 SPACER SUPPORT 3-73-3**

- MATERIAL: NYLON 66(UL)
- FLAME CLASS: 94V-2
- COLOR: NATURAL

| PART NO | A    | E   | T<br>P.C.B.<br>THICKNESS | PACKAGE |
|---------|------|-----|--------------------------|---------|
| MF-04A  | 4.55 | 2.5 | 1.6~2.0                  | 2000    |

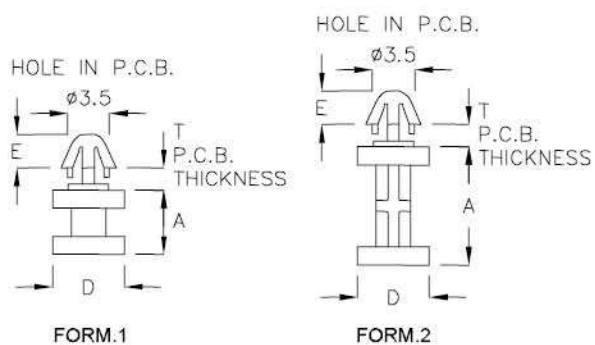




### P.C. 板間隔柱 SPACER SUPPORT ———— 3-74-1

- MATERIAL: NYLON 66(UL)
- FLAME CLASS: 94V-2
- COLOR: NATURAL

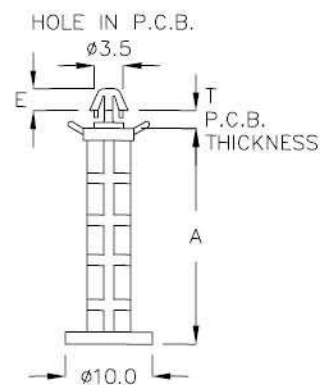
| PART NO | A    | D    | E    | T<br>P.C.B.<br>THICKNESS | FORM | PACKAGE |
|---------|------|------|------|--------------------------|------|---------|
| MF-003  | 3.0  | ø6.0 | 3.0  | 1.3~1.6                  | 1    | 2000    |
| MF-03M  | 3.5  | ø6.0 | 2.8  | 1.3~1.6                  | 1    |         |
| MF-004  | 4.0  | ø6.0 | 3.0  | 1.3~1.6                  | 1    |         |
| MF-005  | 5.0  | ø6.0 | 3.0  | 1.3~1.6                  | 1    |         |
| MF-05M  | 5.5  | ø6.0 | 2.8  | 1.3~1.6                  | 1    |         |
| MF-08   | 8.0  | ø6.0 | 2.8  | 1.3~1.6                  | 1    |         |
| MF-10   | 10.0 | ø3.5 | 3.0  | 0.8~1.0                  | 1    |         |
| MF-10AD | 10.0 | ø6.0 | 2.85 | 1.2~1.4                  | 1    |         |
| MF-10FH | 10.0 | ø6.0 | 2.8  | 1.3~1.6                  | 1    | 1000    |
| MF-13   | 13.0 | ø6.0 | 2.9  | 1.0~1.2                  | 2    |         |
| MF-19   | 19.0 | ø6.0 | 2.9  | 1.0~1.2                  | 2    | 500     |

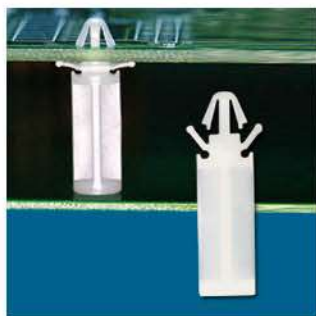


### P.C. 板間隔柱 SPACER SUPPORT ———— 3-74-2

- MATERIAL: NYLON 66(UL)
- FLAME CLASS: 94V-2
- COLOR: NATURAL

| PART NO | A     | E   | T<br>P.C.B.<br>THICKNESS | PACKAGE |
|---------|-------|-----|--------------------------|---------|
| MF-26C  | 26.0  | 2.5 | 1.4~1.6                  | 500     |
| MF-36   | 35.95 | 2.5 | 1.4~1.6                  |         |
| MF-38A  | 38.35 | 2.5 | 1.4~1.6                  |         |

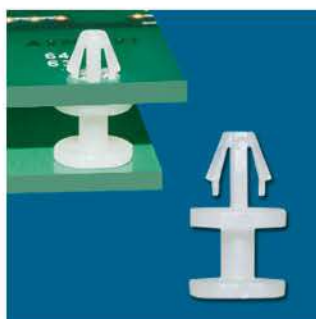
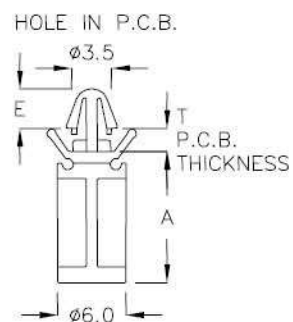




### P.C. 板間隔柱 SPACER SUPPORT 3-75-1

- MATERIAL: NYLON 66(UL)
- FLAME CLASS: 94V-2
- COLOR: NATURAL

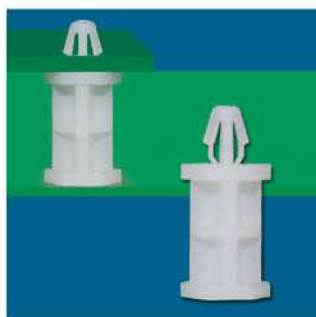
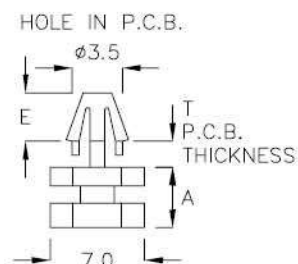
| PART NO | A    | E   | T<br>P.C.B.<br>THICKNESS | PACKAGE |
|---------|------|-----|--------------------------|---------|
| MFQ-4A  | 4.5  | 3.5 | 1.2~1.6                  | 1000    |
| MFQ-07  | 7.0  | 3.5 | 1.2~1.6                  |         |
| MFQ-12  | 12.0 | 3.5 | 1.2~1.6                  |         |
| MFQ-15  | 15.0 | 3.5 | 1.2~1.6                  |         |
| MFQ-16  | 16.0 | 3.5 | 1.2~1.6                  |         |



### P.C. 板間隔柱 SPACER SUPPORT 3-75-2

- MATERIAL: NYLON 66(UL)
- FLAME CLASS: 94V-2
- COLOR: NATURAL

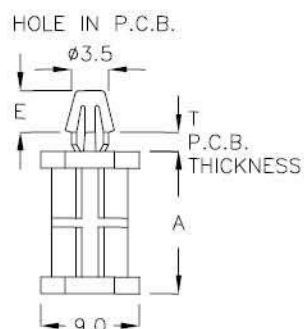
| PART NO   | A    | E   | T<br>P.C.B.<br>THICKNESS | PACKAGE |
|-----------|------|-----|--------------------------|---------|
| DCMS-4M   | 4.5  | 3.6 | 1.4~1.7                  | 2000    |
| DCMS-6    | 6.35 | 3.6 | 1.4~1.7                  |         |
| DCMS-11SF | 11.0 | 3.0 | 1.0~1.4                  |         |

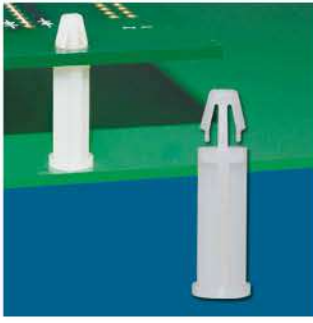


### P.C. 板間隔柱 SPACER SUPPORT 3-75-3

- MATERIAL: NYLON 66(UL)
- FLAME CLASS: 94V-2
- COLOR: NATURAL

| PART NO | A    | E    | T<br>P.C.B.<br>THICKNESS | PACKAGE |
|---------|------|------|--------------------------|---------|
| TCD-13  | 13.0 | 3.85 | 1.4~1.6                  | 500     |

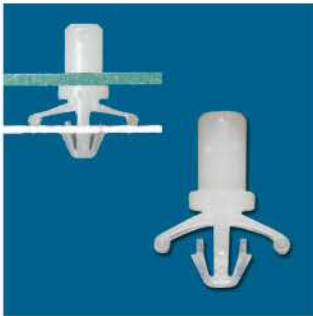
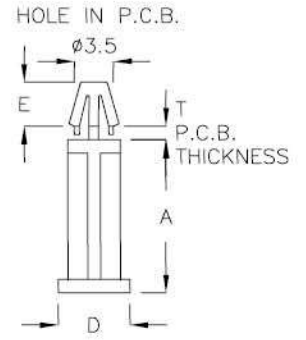




**P.C. 板間隔柱 SPACER SUPPORT 3-76-1**

- MATERIAL: NYLON 66(UL)
- FLAME CLASS: 94V-2
- COLOR: NATURAL

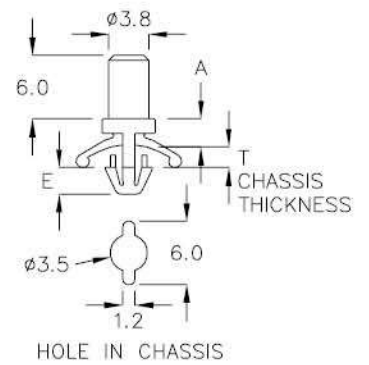
| PART NO  | A    | D    | E   | T<br>P.C.B.<br>THICKNESS | PACKAGE |
|----------|------|------|-----|--------------------------|---------|
| TCC-13A  | 13.5 | ∅9.0 | 5.0 | 1.4~1.6                  | 1000    |
| TCC-14   | 14.5 | ∅6.0 | 4.0 | 1.4~1.6                  |         |
| TCC-14A  | 14.5 | ∅6.0 | 2.7 | 1.4~1.6                  |         |
| TCC-21SD | 21.0 | ∅8.0 | 2.8 | 1.0~1.2                  | 500     |
| TCC-22   | 22.0 | ∅5.0 | 2.9 | 1.4~1.6                  |         |



**P.C. 板間隔柱 SPACER SUPPORT 3-76-2**

- MATERIAL: NYLON 66(UL)
- FLAME CLASS: 94V-2
- COLOR: NATURAL

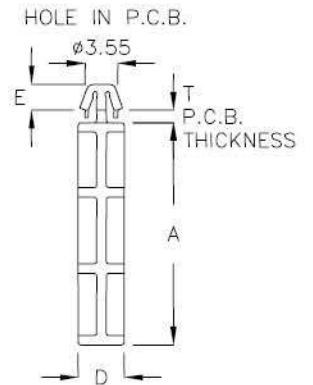
| PART NO | A    | E   | T<br>CHASSIS<br>THICKNESS | PACKAGE |
|---------|------|-----|---------------------------|---------|
| LCG-2K  | 2.65 | 2.5 | 0.6                       | 1000    |



**P.C. 板間隔柱 SPACER SUPPORT 3-76-3**

- MATERIAL : NYLON 66(UL)
- FLAME CLASS : 94V-2
- COLOR : NATURAL

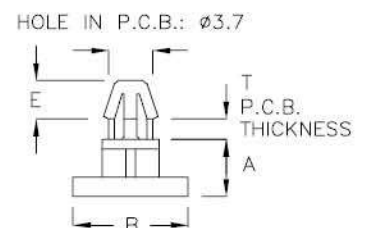
| PART NO | A    | D    | E   | T<br>P.C.B.<br>THICKNESS | PACKAGE |
|---------|------|------|-----|--------------------------|---------|
| MQB-25M | 25.5 | ∅5.0 | 2.8 | 1.0~1.2                  | 500     |
| MQB-28F | 28.5 | ∅5.0 | 2.8 | 1.0~1.2                  |         |



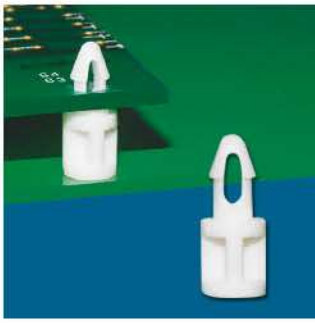
**P.C. 板間隔柱 SPACER SUPPORT 3-76-4**

- MATERIAL: NYLON 66(UL)
- FLAME CLASS: 94V-2
- COLOR: NATURAL

| PART NO | A   | B    | T<br>P.C.B.<br>THICKNESS | E   | PACKAGE |
|---------|-----|------|--------------------------|-----|---------|
| PCQ-03  | 3.0 | ∅5.5 | 1.4~1.6                  | 3.2 | 2000    |
| PCQ-4A  | 4.3 | ∅9.5 | 1.4~1.6                  | 3.2 |         |



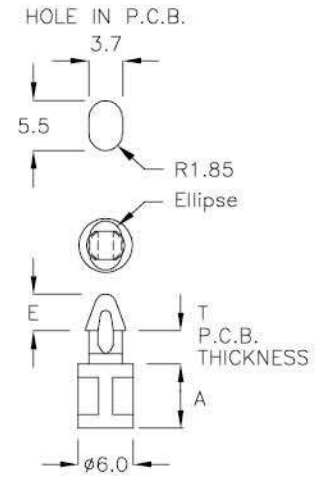




**P.C. 板間隔柱 SPACER SUPPORT 3-77-1**

- MATERIAL: NYLON 66(UL)
- FLAME CLASS: 94V-2
- COLOR: NATURAL

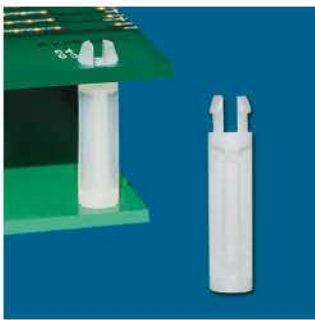
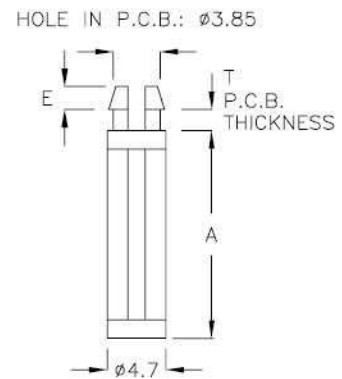
| PART NO | A   | T<br>P.C.B.<br>THICKNESS | E   | PACKAGE |
|---------|-----|--------------------------|-----|---------|
| PCM-07  | 7.0 | 3.2~3.4                  | 4.0 | 2000    |



**P.C. 板間隔柱 SPACER SUPPORT 3-77-2**

- MATERIAL: NYLON 66(UL)
- FLAME CLASS: 94V-2
- COLOR: NATURAL

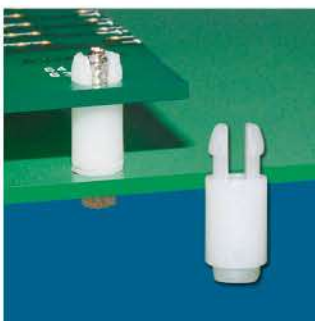
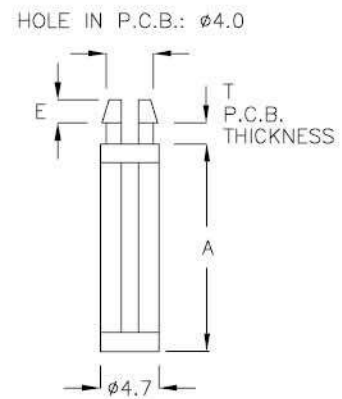
| PART NO | A    | T<br>P.C.B.<br>THICKNESS | E   | PACKAGE |
|---------|------|--------------------------|-----|---------|
| MCC-17S | 16.6 | 1.4~1.6                  | 2.0 | 1000    |



**P.C. 板間隔柱 SPACER SUPPORT 3-77-3**

- MATERIAL: NYLON 66(UL)
- FLAME CLASS: 94V-2
- COLOR: NATURAL

| PART NO | A    | T<br>P.C.B.<br>THICKNESS | E   | PACKAGE |
|---------|------|--------------------------|-----|---------|
| TCS-15  | 15.0 | 1.4~1.6                  | 2.0 | 1000    |

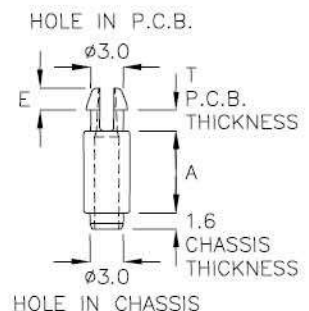


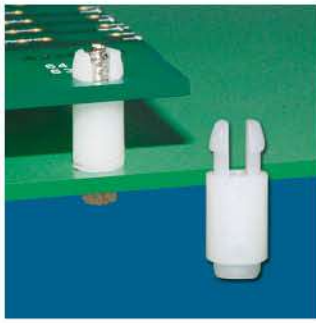
**P.C. 板間隔柱 SPACER SUPPORT 3-77-4**

- MATERIAL: NYLON 66(UL)
- FLAME CLASS: 94V-2
- COLOR: NATURAL

**NEW**

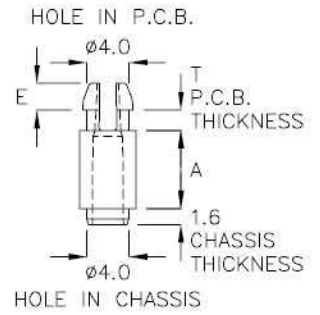
|   | PART NO | A   | E   | T<br>P.C.B.<br>THICKNESS | USE<br>SCREW | PACKAGE |
|---|---------|-----|-----|--------------------------|--------------|---------|
| ★ | MCJA-04 | 4.0 | 1.9 | 1.4~1.6                  | M2.0x12L     | 2000    |
| ★ | MCJA-05 | 5.0 | 1.9 | 1.4~1.6                  | M2.0x12L     |         |
| ★ | MCJA-06 | 6.0 | 1.9 | 1.4~1.6                  | M2.0x14L     |         |
| ★ | MCJA-07 | 7.0 | 1.9 | 1.4~1.6                  | M2.0x14L     |         |



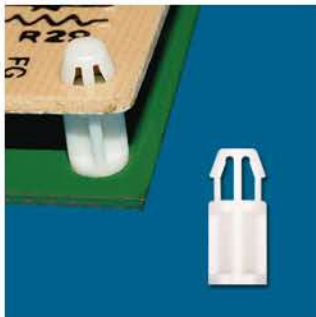


**P.C. 板間隔柱 SPACER SUPPORT ———— 3-78-1 |**

- MATERIAL: NYLON 66(UL)
- FLAME CLASS: 94V-2
- COLOR: NATURAL
- USE M2.5 SCREW

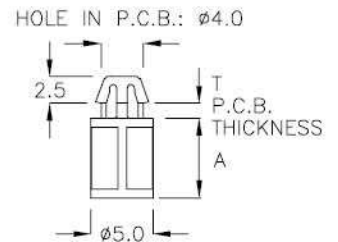


| PART NO   | A   | E   | T<br>P.C.B.<br>THICKNESS | USE<br>SCREW | PACKAGE |
|-----------|-----|-----|--------------------------|--------------|---------|
| ★ MCJ-03A | 3.0 | 2.4 | 1.4~1.6                  | M2.5x10L     | 2000    |
| ★ MCJ-04A | 4.0 | 2.4 | 1.4~1.6                  | M2.5x12L     |         |
| ★ MCJ-05A | 5.0 | 2.4 | 1.4~1.6                  | M2.5x12L     |         |
| ★ MCJ-06A | 6.0 | 2.4 | 1.4~1.6                  | M2.5x14L     |         |
| MCJ-07    | 7.0 | 2.4 | 1.4~1.6                  | M2.5x14L     |         |



**P.C. 板間隔柱 SPACER SUPPORT ———— 3-78-2 |**

- MATERIAL: NYLON 66(UL)
- FLAME CLASS: 94V-2
- COLOR: NATURAL

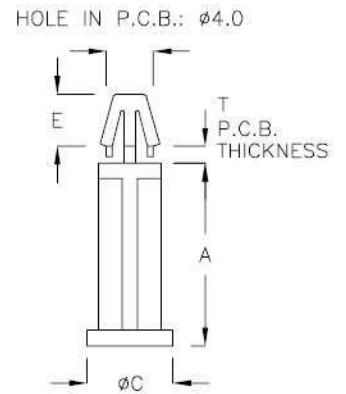


| PART NO | A   | T<br>P.C.B.<br>THICKNESS | PACKAGE |
|---------|-----|--------------------------|---------|
| TCN-07  | 7.0 | 1.2~1.6                  | 2000    |

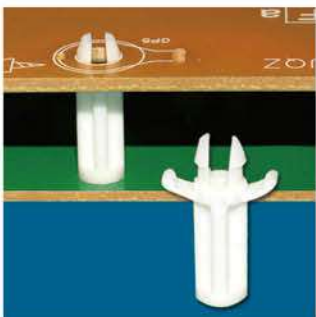


**P.C. 板間隔柱 SPACER SUPPORT ———— 3-78-3 |**

- MATERIAL: NYLON 66(UL)
- FLAME CLASS: 94V-2
- COLOR: NATURAL

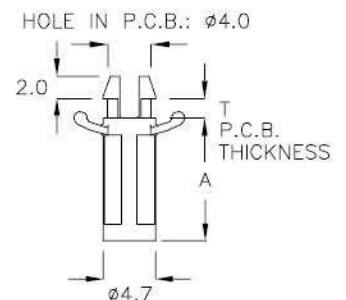


| PART NO | A    | T<br>P.C.B.<br>THICKNESS | C    | E   | PACKAGE |
|---------|------|--------------------------|------|-----|---------|
| TCK-15  | 15.5 | 1.2~1.4                  | 10.9 | 5.0 | 1000    |
| TCK-17  | 17.5 | 1.2~1.4                  | 10.9 | 5.0 | 500     |
| TCK-21A | 21.5 | 1.2~1.6                  | 8.0  | 3.0 |         |

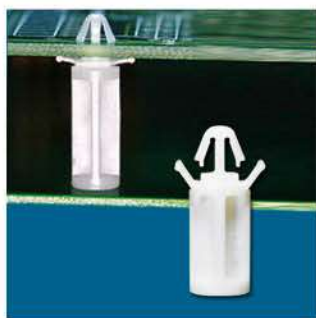


**P.C. 板間隔柱 SPACER SUPPORT ———— 3-78-4 |**

- MATERIAL: NYLON 66(UL)
- FLAME CLASS: 94V-2
- COLOR: NATURAL



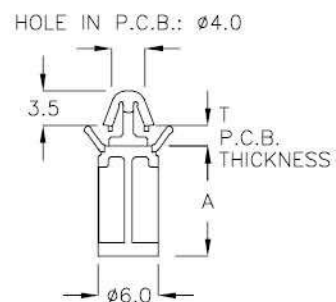
| PART NO | A    | T<br>P.C.B.<br>THICKNESS | PACKAGE |
|---------|------|--------------------------|---------|
| TCJ-11  | 11.0 | 1.2~1.6                  | 1000    |
| TCJ-12A | 12.2 | 1.2~1.6                  |         |
| TCJ-15  | 15.0 | 1.2~1.6                  |         |
| TCJ-18  | 18.0 | 1.2~1.6                  |         |



**P.C. 板間隔柱 SPACER SUPPORT 3-79-1**

- MATERIAL: NYLON 66(UL)
- FLAME CLASS: 94V-2
- COLOR: NATURAL

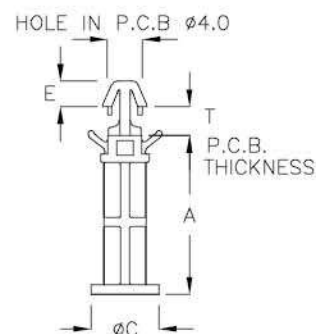
| PART NO | A    | T<br>P.C.B.<br>THICKNESS | PACKAGE |
|---------|------|--------------------------|---------|
| MFS-11  | 11.0 | 1.2~1.6                  | 1000    |



**P.C. 板間隔柱 SPACER SUPPORT 3-79-2**

- MATERIAL: NYLON 66(UL)
- FLAME CLASS: 94V-2
- COLOR: NATURAL

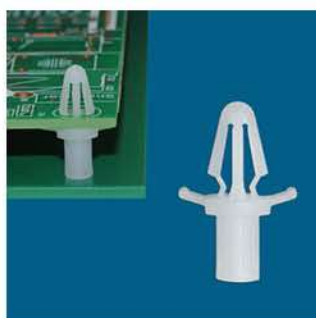
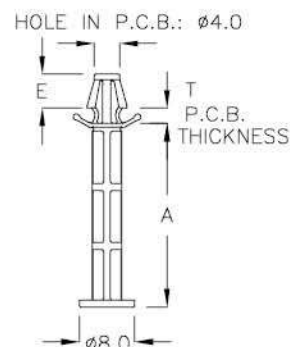
| PART NO | A    | T<br>P.C.B.<br>THICKNESS | C          | E   | PACKAGE |
|---------|------|--------------------------|------------|-----|---------|
| TCX-12  | 12.0 | 1.6~2.0                  | $\phi 4.7$ | 3.0 | 1000    |
| TCX-19H | 19.6 | 2.6~3.0                  | $\phi 8.0$ | 3.0 |         |
| TCX-21  | 21.0 | 1.4~1.8                  | $\phi 8.0$ | 3.0 | 500     |



**P.C. 板間隔柱 SPACER SUPPORT 3-79-3**

- MATERIAL: NYLON 66(UL)
- FLAME CLASS: 94V-2
- COLOR: NATURAL

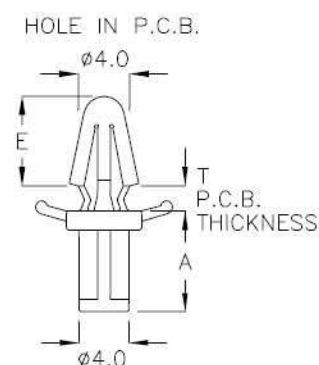
| PART NO | A    | T<br>P.C.B.<br>THICKNESS | E   | PACKAGE |
|---------|------|--------------------------|-----|---------|
| TAN-29F | 29.4 | 1.4~1.6                  | 4.9 | 500     |



**P.C. 板間隔柱 SPACER SUPPORT 3-79-4**

- MATERIAL: NYLON 66(UL)
- FLAME CLASS: 94V-2
- COLOR: NATURAL

| PART NO  | A   | E   | T<br>CHASSIS<br>THICKNESS | PACKAGE |
|----------|-----|-----|---------------------------|---------|
| TCBR-8KF | 8.0 | 7.1 | 1.6~1.7                   | 1000    |

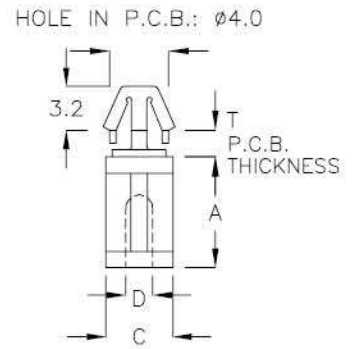




**P.C. 板間隔柱 SPACER SUPPORT ———— 3-80-1**

- MATERIAL : NYLON 66(UL)
- FLAME CLASS : 94V-2
- COLOR : NATURAL

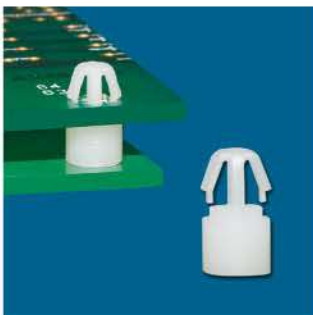
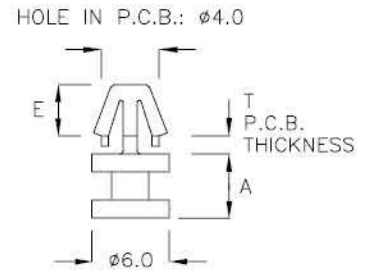
| PART NO | A    | T<br>P.C.B.<br>THICKNESS | C     | D<br>TAPPING<br>SCREW | PACKAGE |
|---------|------|--------------------------|-------|-----------------------|---------|
| MC-5    | 5.0  | 1.2~1.7                  | ø4.95 | M2.5                  | 2000    |
| MC-6    | 6.35 | 1.2~1.7                  | ø4.9  | M2.5                  |         |
| MC-10   | 9.7  | 1.2~1.7                  | ø5.8  | M2.5                  | 1000    |
| MC-12   | 12.7 | 1.2~1.7                  | ø5.8  | M2.5                  |         |



**P.C. 板間隔柱 SPACER SUPPORT ———— 3-80-2**

- MATERIAL : NYLON 66(UL)
- FLAME CLASS : 94V-2
- COLOR : NATURAL

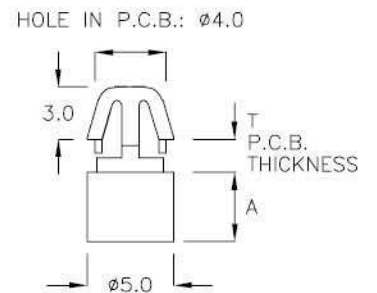
| PART NO | A   | T<br>P.C.B.<br>THICKNESS | E   | PACKAGE |
|---------|-----|--------------------------|-----|---------|
| MC-3M   | 3.5 | 0.9~1.1                  | 3.2 | 2000    |
| MC-4M   | 4.5 | 0.9~1.1                  | 3.2 |         |
| MC-05C  | 5.0 | 0.9~1.1                  | 4.0 |         |
| MC-5M   | 5.5 | 0.9~1.1                  | 3.2 |         |
| MC-6F   | 6.0 | 0.9~1.1                  | 3.2 |         |



**P.C. 板間隔柱 SPACER SUPPORT ———— 3-80-3**

- MATERIAL : NYLON 66(UL)
- FLAME CLASS : 94V-2
- COLOR : NATURAL

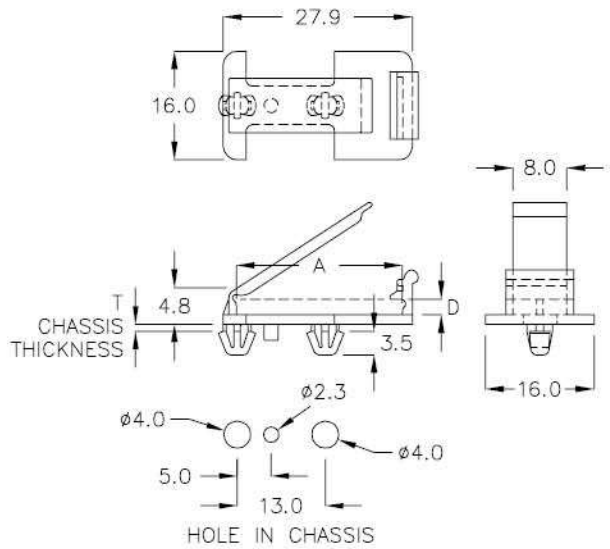
| PART NO | A   | T<br>P.C.B.<br>THICKNESS | PACKAGE |
|---------|-----|--------------------------|---------|
| MC-04F  | 4.0 | 1.2~1.6                  | 2000    |





**P.C. 板間隔柱 SPACER SUPPORT 3-101-1**

- MATERIAL: NYLON 66(UL)
- FLAME CLASS: 94V-0
- COLOR: NATURAL



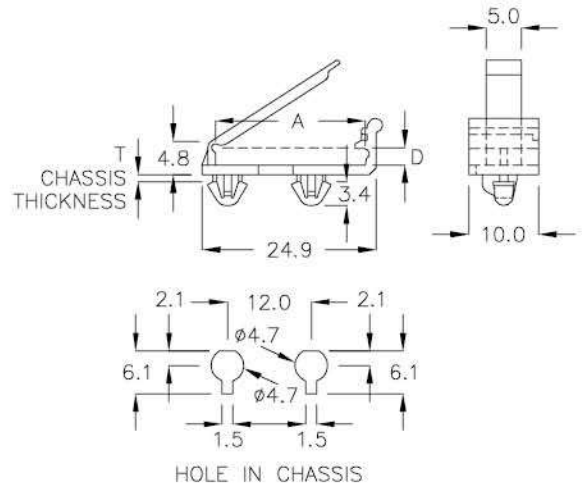
WITH LOCK FEATURE

| PART NO  | A    | D   | T<br>CHASSIS<br>THICKNESS | PACKAGE |
|----------|------|-----|---------------------------|---------|
| CYFK-24D | 24.5 | 2.3 | 0.5~0.8                   | 100     |



**P.C. 板間隔柱 SPACER SUPPORT 3-101-2**

- MATERIAL: NYLON 66(UL)
- FLAME CLASS: 94V-0
- COLOR: NATURAL



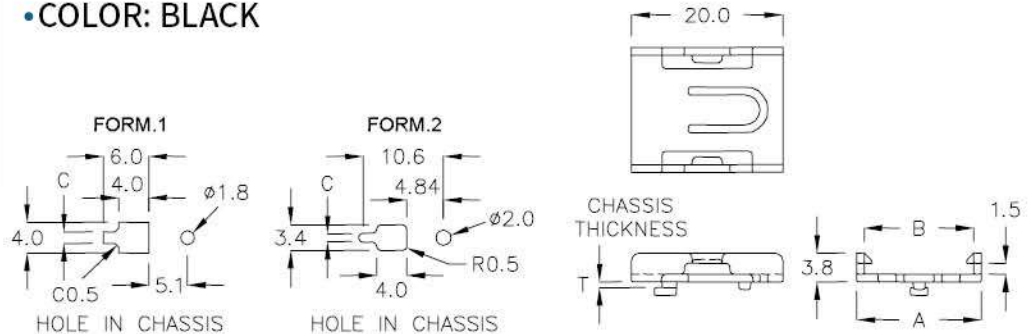
WITH LOCK FEATURE

| PART NO  | A    | D    | T<br>CHASSIS<br>THICKNESS | PACKAGE |
|----------|------|------|---------------------------|---------|
| CYFT-21A | 21.5 | 2.35 | 0.6~0.8                   | 100     |

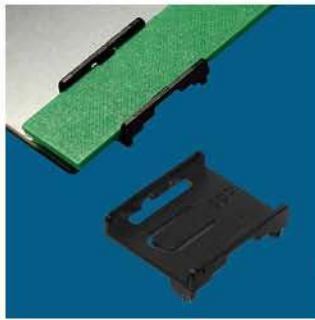


**P.C. 板間隔柱 SPACER SUPPORT 3-101-3**

- MATERIAL: ABS(UL)
- FLAME CLASS: 94HB
- COLOR: BLACK



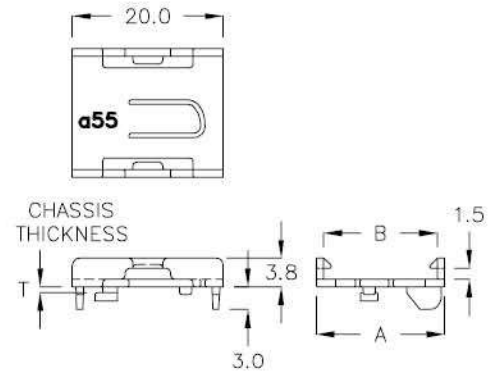
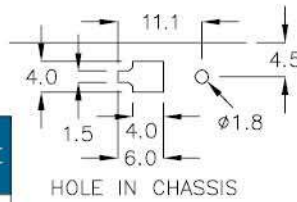
| PART NO | A    | B    | C   | T<br>CHASSIS<br>THICKNESS | FORM | PACKAGE |
|---------|------|------|-----|---------------------------|------|---------|
| FKJ-14S | 16.5 | 14.5 | 1.5 | 0.7                       | 1    | 500     |
| FKJ-15D | 17.0 | 15.0 | 1.2 | 0.5                       | 1    |         |
| FKJ-15A | 17.5 | 15.5 | 1.2 | 0.8                       | 2    |         |



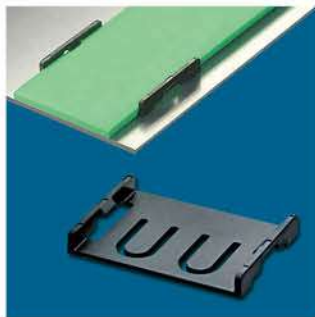
P.C. 板間隔柱 SPACER SUPPORT | 3-102-1 |

- MATERIAL: ABS(UL)
- FLAME CLASS: 94HB
- COLOR: BLACK

NEW

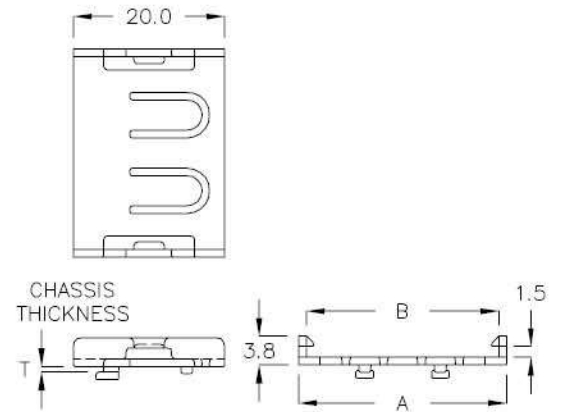
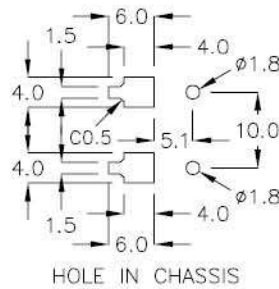


| PART NO   | A    | B    | T<br>CHASSIS<br>THICKNESS | PACKAGE |
|-----------|------|------|---------------------------|---------|
| ★ FKJR-15 | 17.0 | 15.0 | 0.6                       | 500     |

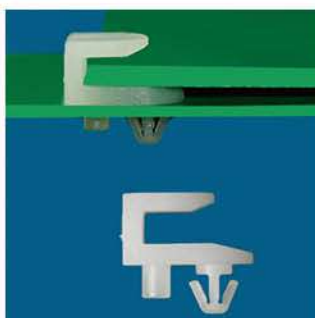


P.C. 板間隔柱 SPACER SUPPORT | 3-102-2 |

- MATERIAL: ABS(UL)
- FLAME CLASS: 94HB
- COLOR: BLACK



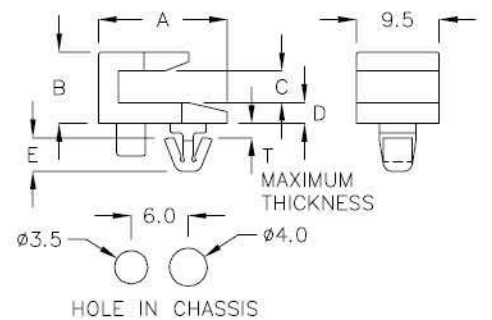
| PART NO | A    | B    | T<br>CHASSIS<br>THICKNESS | PACKAGE |
|---------|------|------|---------------------------|---------|
| FKJD-25 | 27.5 | 25.5 | 0.7                       | 200     |



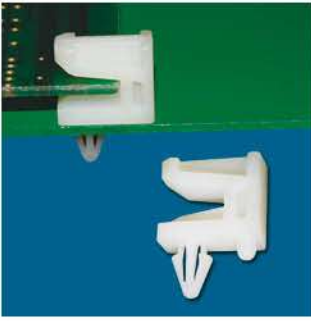
P.C. 板間隔柱 SPACER SUPPORT | 3-102-3 |

- MATERIAL: NYLON 66(UL)
- FLAME CLASS: 94V-2
- COLOR: NATURAL

NEW

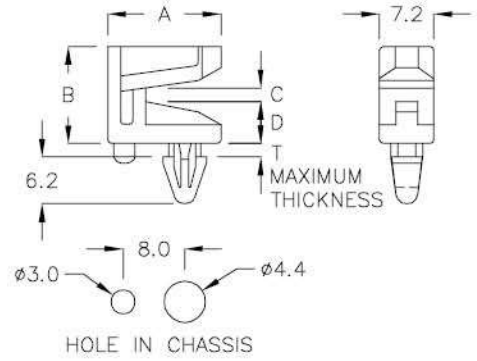


| PART NO  | A    | B   | C   | D   | E   | T<br>MAXIMUM<br>THICKNESS | PACKAGE |
|----------|------|-----|-----|-----|-----|---------------------------|---------|
| ★ UB-02C | 13.5 | 7.5 | 3.3 | 2.2 | 3.5 | 1.3                       | 500     |

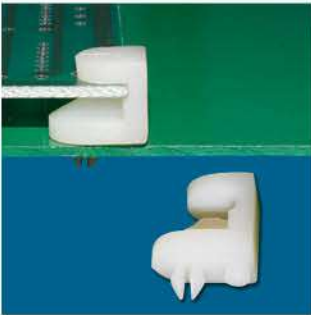


**P.C. 板間隔柱 SPACER SUPPORT 3-103-1**

- MATERIAL: NYLON 66(UL)
- FLAME CLASS: 94V-2
- COLOR: NATURAL

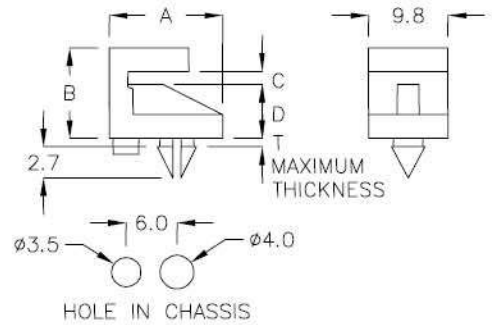


| PART NO | A    | B    | C   | D   | T<br>MAXIMUM THICKNESS | PACKAGE |
|---------|------|------|-----|-----|------------------------|---------|
| UB-05A  | 15.0 | 12.8 | 1.8 | 5.5 | 1.6                    | 500     |

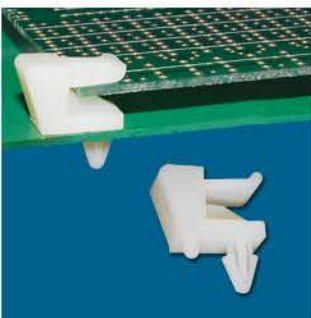


**P.C. 板間隔柱 SPACER SUPPORT 3-103-2**

- MATERIAL: NYLON 66(UL)
- FLAME CLASS: 94V-2
- COLOR: NATURAL

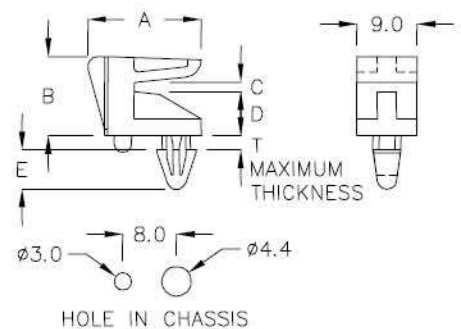


| PART NO | A    | B    | C   | D   | T<br>MAXIMUM THICKNESS | PACKAGE |
|---------|------|------|-----|-----|------------------------|---------|
| UB-6    | 12.6 | 10.8 | 1.7 | 6.0 | 1.0                    | 500     |

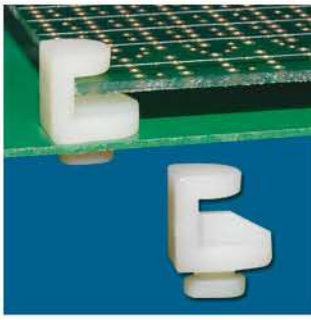


**P.C. 板間隔柱 SPACER SUPPORT 3-103-3**

- MATERIAL: NYLON 66(UL)
- FLAME CLASS: 94V-2
- COLOR: NATURAL

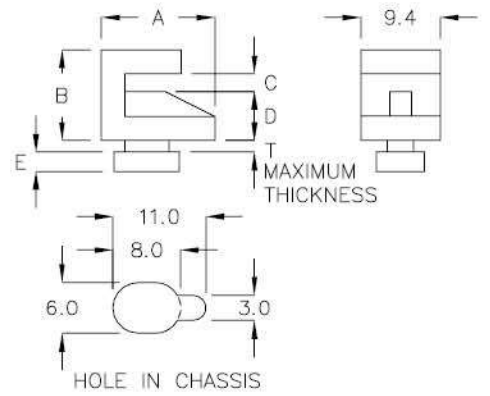


| PART NO | A    | B    | C   | D    | E   | T<br>MAXIMUM THICKNESS | PACKAGE |
|---------|------|------|-----|------|-----|------------------------|---------|
| UB-6BT  | 17.5 | 12.0 | 1.4 | 6.5  | 6.3 | 1.6                    | 500     |
| UB-6CT  | 17.5 | 11.8 | 1.6 | 6.35 | 6.0 | 1.6                    |         |

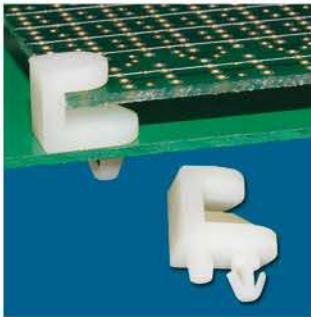


**P.C. 板間隔柱 SPACER SUPPORT | 3-104-1 |**

- MATERIAL: NYLON 66(UL)
- FLAME CLASS: 94V-2
- COLOR: NATURAL

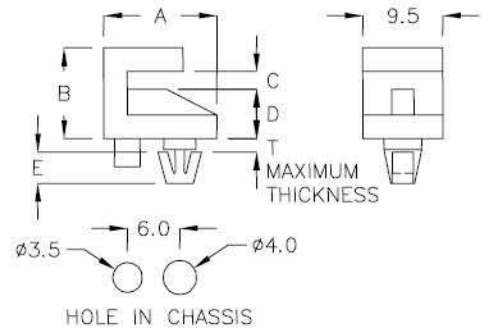


| PART NO | A    | B    | C   | D   | E   | T<br>MAXIMUM THICKNESS | PACKAGE |
|---------|------|------|-----|-----|-----|------------------------|---------|
| UB-6A   | 12.5 | 10.9 | 1.9 | 5.9 | 2.6 | 1.2                    | 500     |
| UB-6D   | 12.3 | 11.6 | 2.3 | 6.4 | 2.5 | 1.2                    |         |

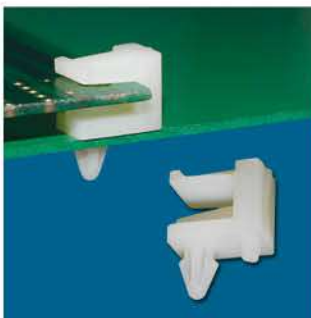


**P.C. 板間隔柱 SPACER SUPPORT | 3-104-2 |**

- MATERIAL: NYLON 66(UL)
- FLAME CLASS: 94V-2
- COLOR: NATURAL

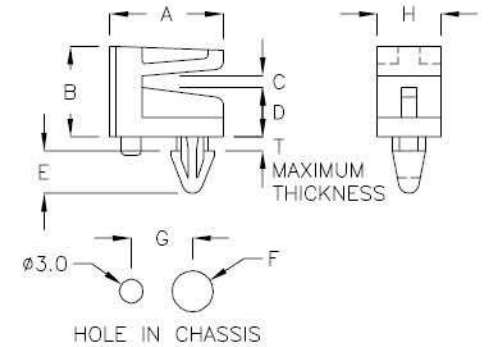


| PART NO | A    | B    | C   | D   | E   | T<br>MAXIMUM THICKNESS | PACKAGE |
|---------|------|------|-----|-----|-----|------------------------|---------|
| UB-6E   | 13.5 | 10.8 | 2.4 | 6.4 | 3.5 | 1.3                    | 500     |
| UB-6K   | 13.4 | 10.8 | 2.1 | 6.0 | 3.7 | 2.1                    |         |



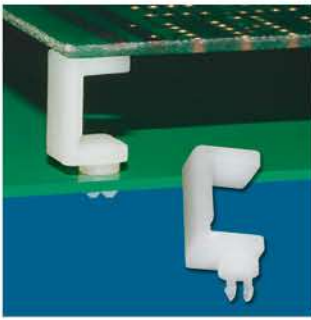
**P.C. 板間隔柱 SPACER SUPPORT | 3-104-3 |**

- MATERIAL: NYLON 66(UL)
- FLAME CLASS: 94V-2
- COLOR: NATURAL



| PART NO | A    | B    | C   | D    | E   | F   | G   | H   | T<br>MAXIMUM THICKNESS | PACKAGE |
|---------|------|------|-----|------|-----|-----|-----|-----|------------------------|---------|
| UB-06H  | 21.5 | 11.8 | 1.3 | 6.6  | 6.0 | 4.4 | 8.0 | 9.0 | 1.6                    | 500     |
| UB-6T   | 14.8 | 11.9 | 1.3 | 6.6  | 5.9 | 4.4 | 8.0 | 9.0 | 1.7                    |         |
| UB-06U  | 12.0 | 11.8 | 1.3 | 6.6  | 6.0 | 4.4 | 6.5 | 6.0 | 1.8                    |         |
| UB-08U  | 12.0 | 14.0 | 2.0 | 8.5  | 7.0 | 4.4 | 6.5 | 6.0 | 0.8                    |         |
| UB-14T  | 15.0 | 19.2 | 1.3 | 14.0 | 5.9 | 4.4 | 8.0 | 9.0 | 1.8                    | 200     |
| UB-18T  | 15.5 | 23.6 | 1.6 | 18.3 | 6.0 | 5.0 | 8.5 | 9.0 | 1.8                    |         |

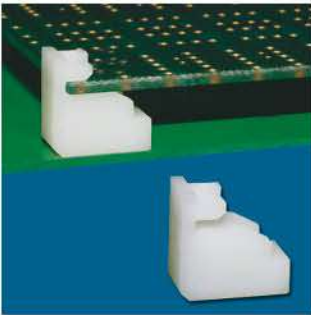
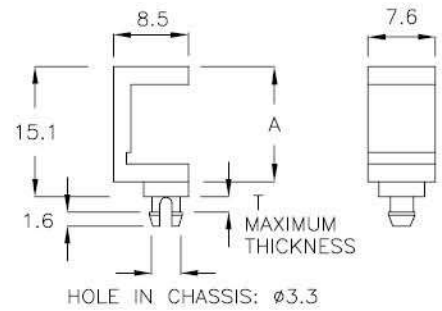




**P.C. 板間隔柱 SPACER SUPPORT** ———— | 3-105-1 |

- MATERIAL: NYLON 66(UL)
- FLAME CLASS: 94V-2
- COLOR: NATURAL

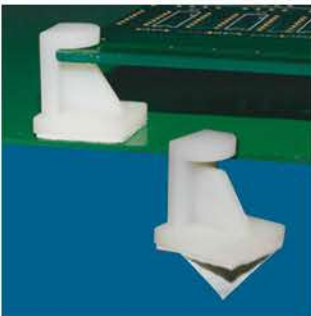
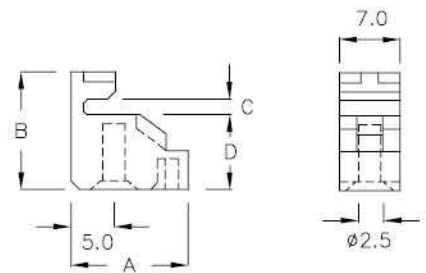
| PART NO | A    | T<br>MAXIMUM<br>THICKNESS | PACKAGE |
|---------|------|---------------------------|---------|
| UB-7    | 13.3 | 1.6                       | 500     |



**P.C. 板間隔柱 SPACER SUPPORT** ———— | 3-105-2 |

- MATERIAL: NYLON 66(UL)
- FLAME CLASS: 94V-2
- COLOR: NATURAL
- USE M3 TAPPING SCREW

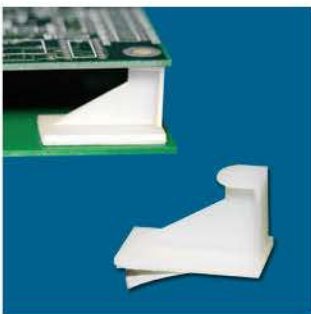
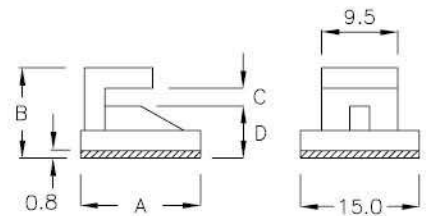
| PART NO | A    | B    | C   | D   | PACKAGE |
|---------|------|------|-----|-----|---------|
| UB-09K  | 13.5 | 13.6 | 1.8 | 8.6 | 500     |



**P.C. 板間隔柱 SPACER SUPPORT** ———— | 3-105-3 |

- MATERIAL: NYLON 66(UL)
- FLAME CLASS: 94V-2
- COLOR: NATURAL
- ADHESIVE TAPE: 3M

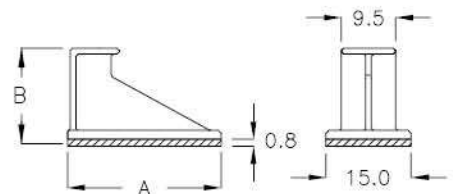
| PART NO | A    | B    | C   | D    | PACKAGE |
|---------|------|------|-----|------|---------|
| UB-6F   | 15.0 | 11.1 | 2.2 | 6.35 | 500     |
| UB-11F  | 15.0 | 15.8 | 2.4 | 10.8 |         |
| UB-12F  | 15.0 | 16.7 | 2.3 | 11.9 |         |



**P.C. 板間隔柱 SPACER SUPPORT** ———— | 3-105-4 |

- MATERIAL: NYLON 66(UL)
- FLAME CLASS: 94V-2
- COLOR: NATURAL
- ADHESIVE TAPE: 3M

| PART NO | A    | B    | PACKAGE |
|---------|------|------|---------|
| UBC-17  | 27.0 | 16.7 | 500     |

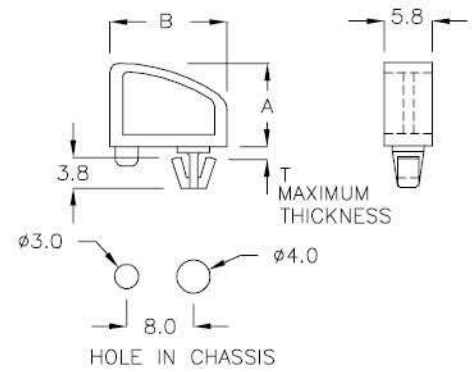




**P.C. 板間隔柱 SPACER SUPPORT 3-106-1**

- MATERIAL: NYLON 66(UL)
- FLAME CLASS: 94V-2
- COLOR: NATURAL

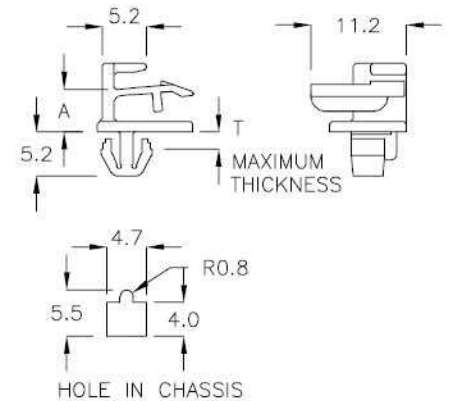
| PART NO | A    | B    | T<br>MAXIMUM<br>THICKNESS | PACKAGE |
|---------|------|------|---------------------------|---------|
| UA-10   | 10.0 | 14.0 | 1.2                       | 500     |



**P.C. 板間隔柱 SPACER SUPPORT 3-106-2**

- MATERIAL: NYLON 66(UL)
- FLAME CLASS: 94V-2
- COLOR: NATURAL

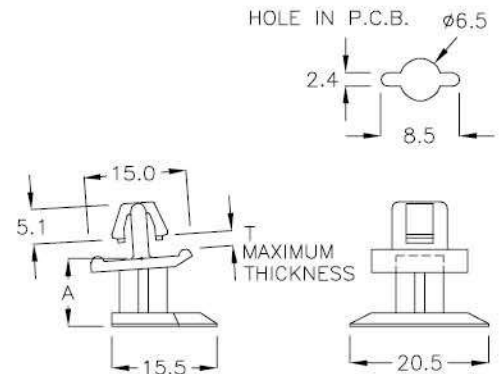
| PART NO | A   | T<br>MAXIMUM<br>THICKNESS | PACKAGE |
|---------|-----|---------------------------|---------|
| UBL-05  | 5.0 | 1.6                       | 500     |



**P.C. 板間隔柱 SPACER SUPPORT 3-106-3**

- MATERIAL: NYLON 66(UL)
- FLAME CLASS: 94V-2
- COLOR: NATURAL

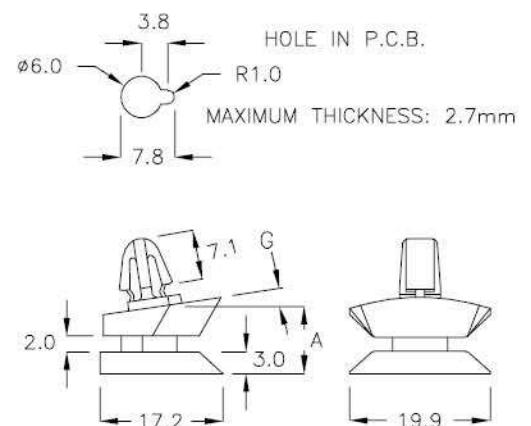
| PART NO | A    | T<br>MAXIMUM<br>THICKNESS | PACKAGE |
|---------|------|---------------------------|---------|
| UNB-11  | 10.0 | 2.0                       | 500     |

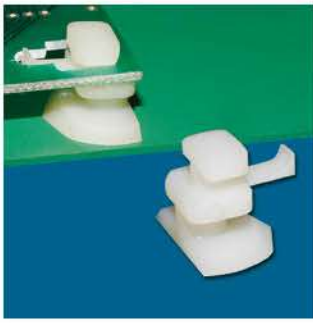


**P.C. 板間隔柱 SPACER SUPPORT 3-106-4**

- MATERIAL: NYLON 66(UL)
- FLAME CLASS: 94V-2
- COLOR: NATURAL

| PART NO | A   | G    | PACKAGE |
|---------|-----|------|---------|
| UNC-10A | 9.1 | 8.5° | 500     |

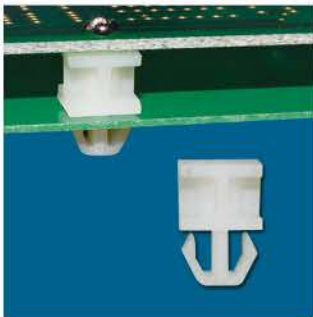
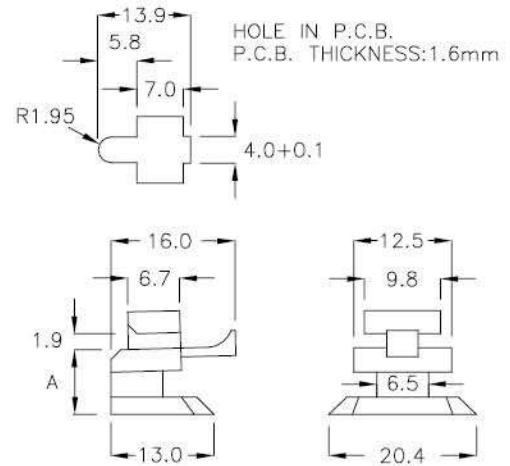




**P.C. 板間隔柱 SPACER SUPPORT | 3-107-1 |**

- MATERIAL: NYLON 66(UL)
- FLAME CLASS: 94V-2
- COLOR: NATURAL

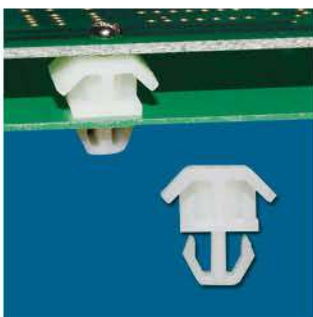
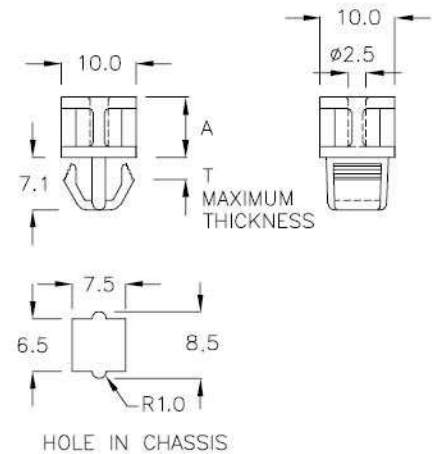
| PART NO | A   | PACKAGE |
|---------|-----|---------|
| UNC-8   | 8.2 | 500     |



**P.C. 板間隔柱 SPACER SUPPORT | 3-107-2 |**

- MATERIAL: NYLON 66(UL)
- FLAME CLASS: 94V-2
- COLOR: NATURAL
- USE M3 TAPPING SCREW

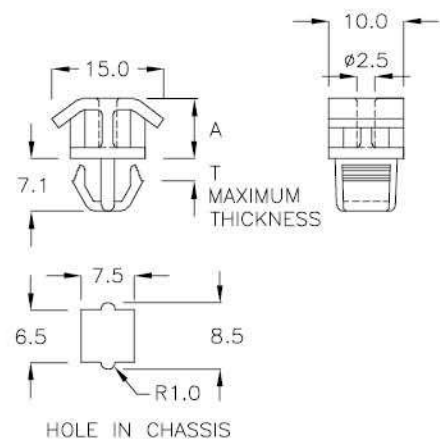
| PART NO | A    | T<br>MAXIMUM<br>THICKNESS | PACKAGE |
|---------|------|---------------------------|---------|
| CH-08F  | 8.0  | 2.0                       | 500     |
| CH-10K  | 10.0 | 1.4                       |         |

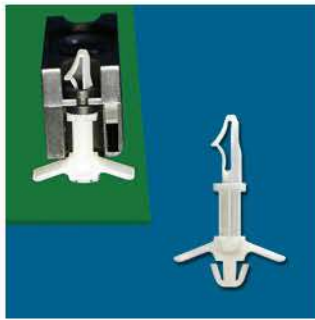


**P.C. 板間隔柱 SPACER SUPPORT | 3-107-3 |**

- MATERIAL: NYLON 66(UL)
- FLAME CLASS: 94V-2
- COLOR: NATURAL
- USE M3 TAPPING SCREW

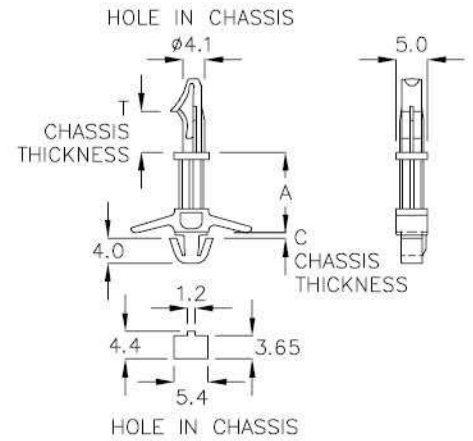
| PART NO | A   | T<br>MAXIMUM<br>THICKNESS | PACKAGE |
|---------|-----|---------------------------|---------|
| CH-08K  | 8.0 | 2.0                       | 500     |



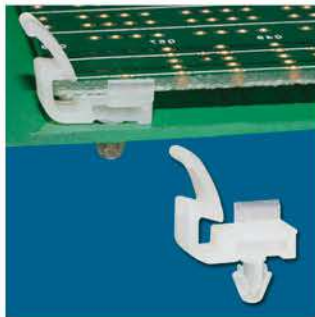


**P.C. 板間隔柱 SPACER SUPPORT 3-108-1**

- MATERIAL: NYLON 66(UL)
- FLAME CLASS: 94V-2
- COLOR: NATURAL

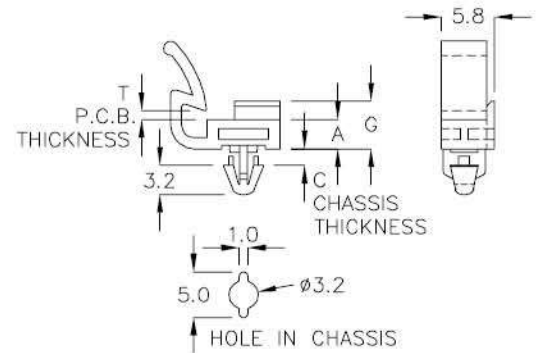


| PART NO | A    | C<br>CHASSIS<br>THICKNESS | T<br>CHASSIS<br>THICKNESS | PACKAGE |
|---------|------|---------------------------|---------------------------|---------|
| MQG-12P | 12.7 | 0.6~0.8                   | 4.7                       | 500     |



**P.C. 板間隔柱 SPACER SUPPORT 3-108-2**

- MATERIAL: NYLON 66(UL)
- FLAME CLASS: 94V-2
- COLOR: NATURAL

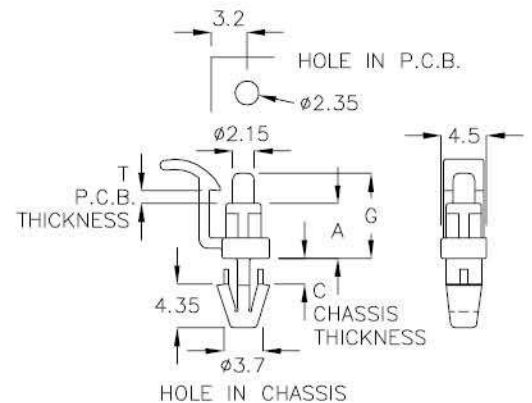


| PART NO | A   | G   | C<br>CHASSIS<br>THICKNESS | T<br>P.C.B.<br>THICKNESS | PACKAGE |
|---------|-----|-----|---------------------------|--------------------------|---------|
| LSB-3A  | 3.2 | 5.2 | 1.4~1.6                   | 0.8~1.6                  | 1000    |



**P.C. 板間隔柱 SPACER SUPPORT 3-108-3**

- MATERIAL: NYLON 66(UL)
- FLAME CLASS: 94V-2
- COLOR: NATURAL



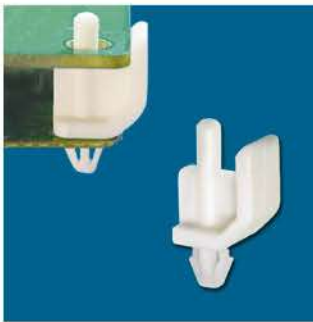
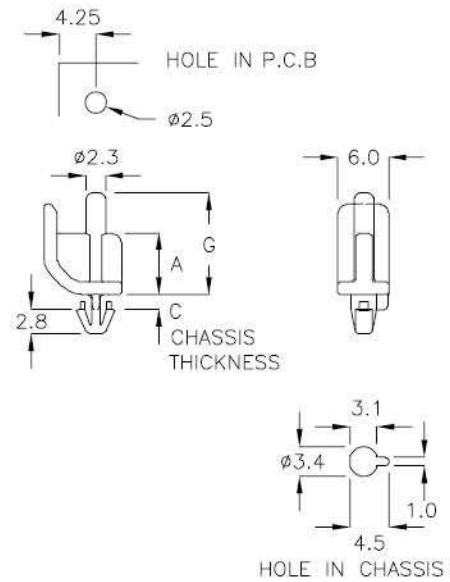
| PART NO | A   | G   | C<br>CHASSIS<br>THICKNESS | T<br>P.C.B.<br>THICKNESS | PACKAGE |
|---------|-----|-----|---------------------------|--------------------------|---------|
| LTY-5A  | 5.4 | 8.4 | 2.2~2.4                   | 0.8~1.0                  | 500     |



**P.C. 板間隔柱 SPACER SUPPORT 3-109-1**

- MATERIAL: NYLON 66(UL)
- FLAME CLASS: 94V-2
- COLOR: NATURAL

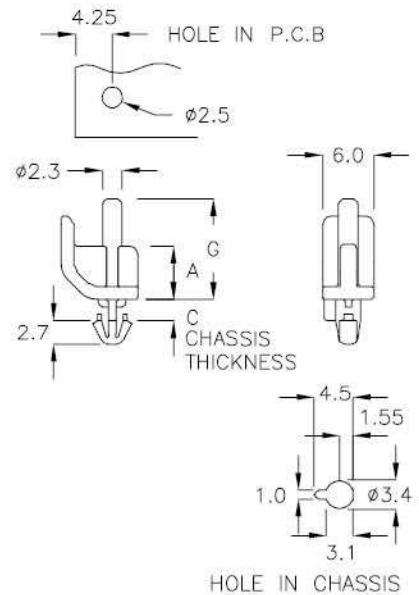
| PART NO | A   | G    | C<br>CHASSIS<br>THICKNESS | PACKAGE |
|---------|-----|------|---------------------------|---------|
| LKB-6PA | 7.0 | 11.7 | 1.4~1.6                   | 1000    |



**P.C. 板間隔柱 SPACER SUPPORT 3-109-2**

- MATERIAL: NYLON 66(UL)
- FLAME CLASS: 94V-2
- COLOR: NATURAL

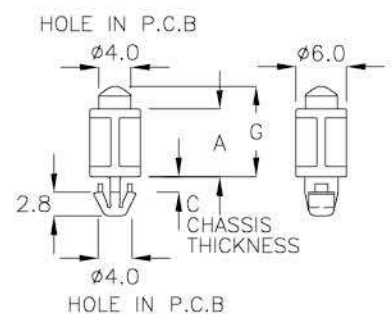
| PART NO | A   | G    | C<br>CHASSIS<br>THICKNESS | PACKAGE |
|---------|-----|------|---------------------------|---------|
| LKB-6FQ | 6.2 | 11.7 | 2.2~2.4                   | 1000    |



**P.C. 板間隔柱 SPACER SUPPORT 3-109-3**

- MATERIAL: NYLON 66(UL)
- FLAME CLASS: 94V-2
- COLOR: BLACK

| PART NO | A   | G    | C<br>CHASSIS<br>THICKNESS | PACKAGE |
|---------|-----|------|---------------------------|---------|
| LCZ-8PH | 8.0 | 10.7 | 1.6                       | 2000    |

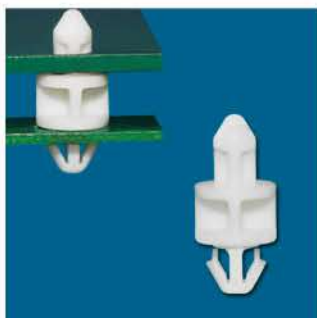
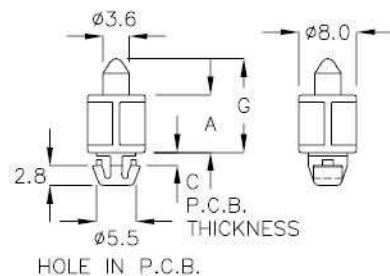




**P.C. 板間隔柱 SPACER SUPPORT 3-110-1**

- MATERIAL: NYLON 66(UL)
- FLAME CLASS: 94V-2
- COLOR: NATURAL

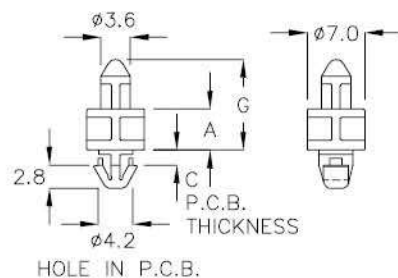
| PART NO | A   | G    | C<br>P.C.B.<br>THICKNESS | PACKAGE |
|---------|-----|------|--------------------------|---------|
| LKC-8A  | 8.0 | 13.0 | 1.6                      | 2000    |



**P.C. 板間隔柱 SPACER SUPPORT 3-110-2**

- MATERIAL: NYLON 66(UL)
- FLAME CLASS: 94V-2
- COLOR: NATURAL

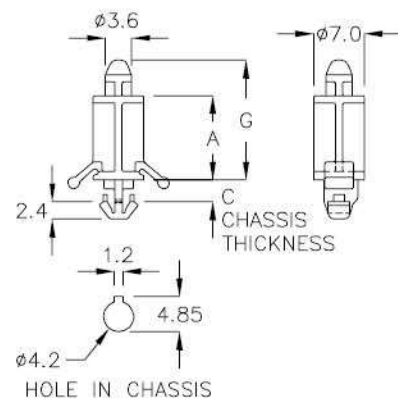
| PART NO | A   | G    | C<br>P.C.B.<br>THICKNESS | PACKAGE |
|---------|-----|------|--------------------------|---------|
| LKN-5T  | 5.0 | 11.0 | 1.6                      | 2000    |

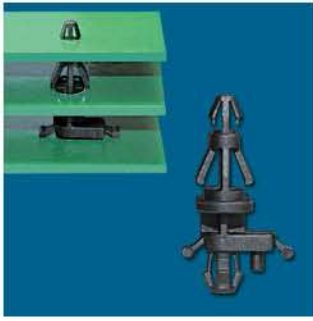


**P.C. 板間隔柱 SPACER SUPPORT 3-110-3**

- MATERIAL: NYLON 66(UL)
- FLAME CLASS: 94V-2
- COLOR: BLACK

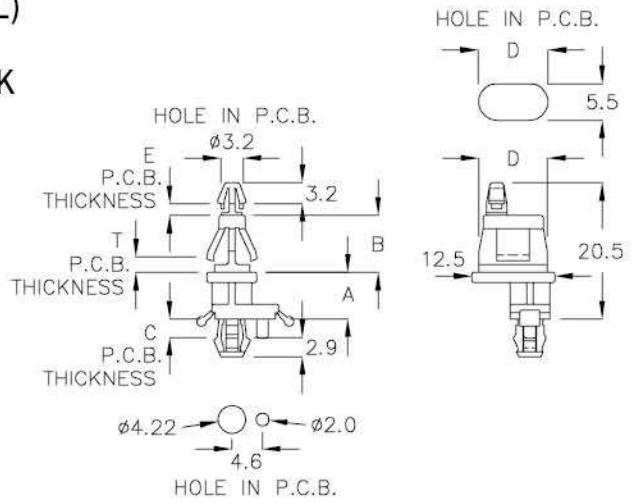
| PART NO  | A    | G    | C<br>CHASSIS<br>THICKNESS | PACKAGE |
|----------|------|------|---------------------------|---------|
| LKN-11HR | 11.6 | 16.5 | 2.6                       | 1000    |





### P.C. 板間隔柱 SPACER SUPPORT 3-111-1

- MATERIAL: NYLON 66(UL)
- FLAME CLASS: 94V-2
- COLOR: NATURAL, BLACK

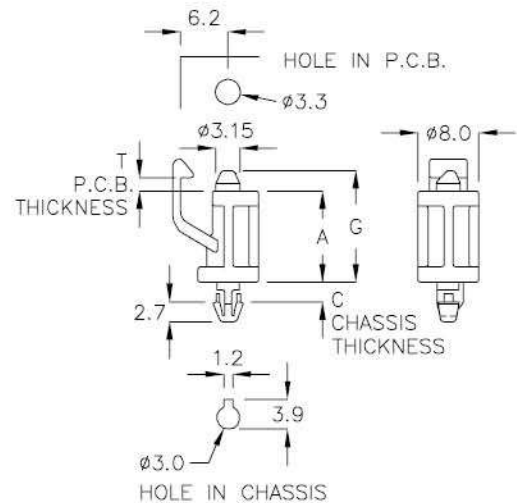


| PART NO | A   | B   | C<br>P.C.B.<br>THICKNESS | D<br>HOLE IN<br>P.C.B. | E<br>P.C.B.<br>THICKNESS | T<br>P.C.B.<br>THICKNESS | PACKAGE |
|---------|-----|-----|--------------------------|------------------------|--------------------------|--------------------------|---------|
| LMWY-26 | 7.0 | 8.6 | 2.36 or 1.92             | 10.5                   | 1.6                      | 1.6                      | 1000    |



### P.C. 板間隔柱 SPACER SUPPORT 3-111-2

- MATERIAL: NYLON 66(UL)
- FLAME CLASS: 94V-2
- COLOR: NATURAL

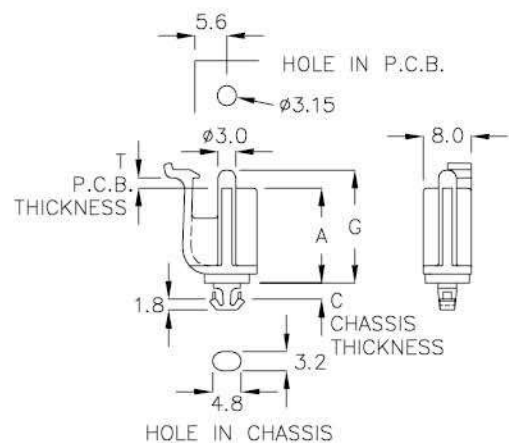


| PART NO  | A    | G    | C<br>CHASSIS<br>THICKNESS | T<br>P.C.B.<br>THICKNESS | PACKAGE |
|----------|------|------|---------------------------|--------------------------|---------|
| LTZ-12HC | 12.0 | 14.7 | 2.4                       | 1.6                      | 500     |



### P.C. 板間隔柱 SPACER SUPPORT 3-111-3

- MATERIAL: NYLON 66(UL)
- FLAME CLASS: 94V-2
- COLOR: NATURAL

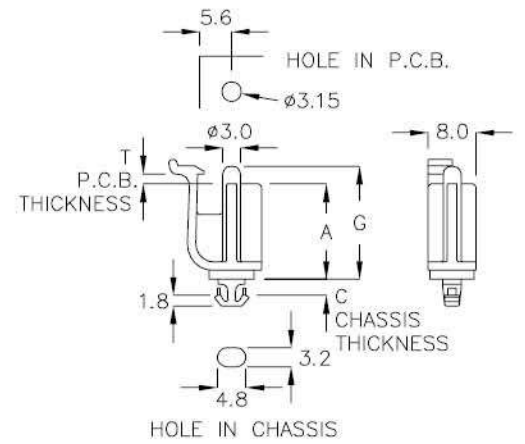


| PART NO | A    | G    | C<br>CHASSIS<br>THICKNESS | T<br>P.C.B.<br>THICKNESS | PACKAGE |
|---------|------|------|---------------------------|--------------------------|---------|
| LTKL-16 | 16.0 | 19.0 | 2.5                       | 1.4~1.6                  | 500     |

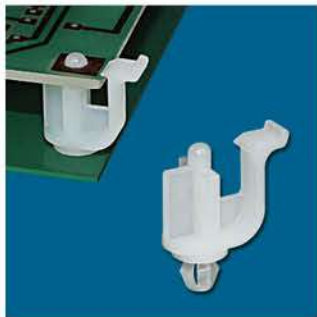


**P.C. 板間隔柱 SPACER SUPPORT 3-112-1**

- MATERIAL: NYLON 66(UL)
- FLAME CLASS: 94V-2
- COLOR: NATURAL

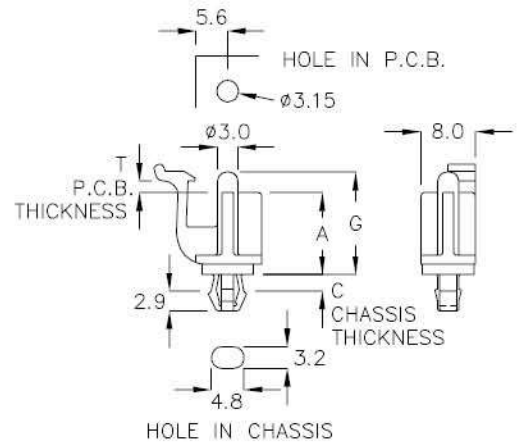


| PART NO  | A    | G    | C CHASSIS THICKNESS | T P.C.B. THICKNESS | PACKAGE |
|----------|------|------|---------------------|--------------------|---------|
| LTKR-16C | 16.0 | 19.0 | 2.5                 | 1.4~1.6            | 500     |



**P.C. 板間隔柱 SPACER SUPPORT 3-112-2**

- MATERIAL: NYLON 66(UL)
- FLAME CLASS: 94V-2
- COLOR: NATURAL

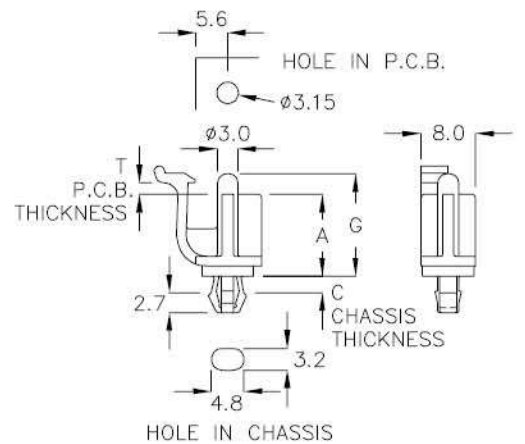


| PART NO  | A    | G    | C CHASSIS THICKNESS | T P.C.B. THICKNESS | PACKAGE |
|----------|------|------|---------------------|--------------------|---------|
| LTEL-12F | 12.0 | 15.0 | 1.8~2.2             | 1.6                | 500     |



**P.C. 板間隔柱 SPACER SUPPORT 3-112-3**

- MATERIAL: NYLON 66(UL)
- FLAME CLASS: 94V-2
- COLOR: NATURAL



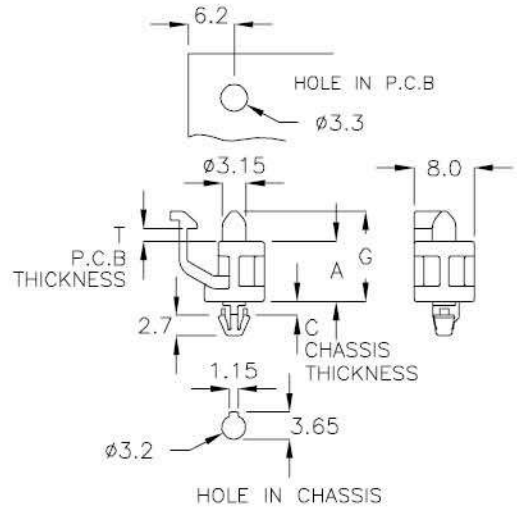
| PART NO  | A    | G    | C CHASSIS THICKNESS | T P.C.B. THICKNESS | PACKAGE |
|----------|------|------|---------------------|--------------------|---------|
| LTER-12G | 12.0 | 15.0 | 1.8~2.2             | 1.6                | 500     |



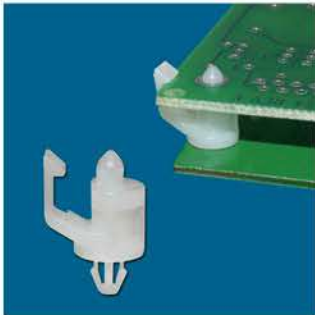


**P.C. 板間隔柱 SPACER SUPPORT 3-113-1**

- MATERIAL: NYLON 66(UL)
- FLAME CLASS: 94V-2
- COLOR: NATURAL

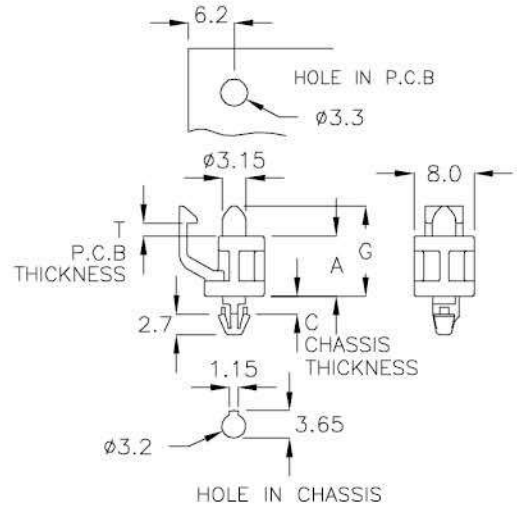


| PART NO | A   | G    | T<br>P.C.B<br>THICKNESS | C<br>CHASSIS<br>THICKNESS | PACKAGE |
|---------|-----|------|-------------------------|---------------------------|---------|
| LTN-8G  | 8.0 | 12.0 | 1.6                     | 1.6                       | 1000    |

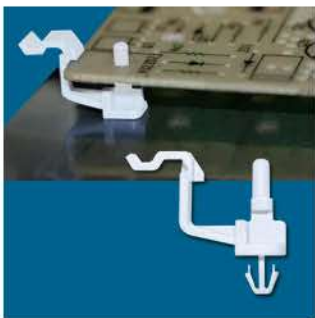


**P.C. 板間隔柱 SPACER SUPPORT 3-113-2**

- MATERIAL: NYLON 66(UL)
- FLAME CLASS: 94V-2
- COLOR: NATURAL

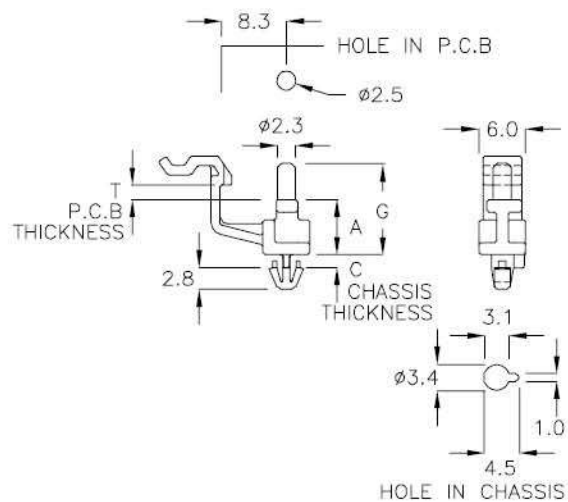


| PART NO | A   | G    | T<br>P.C.B<br>THICKNESS | C<br>CHASSIS<br>THICKNESS | PACKAGE |
|---------|-----|------|-------------------------|---------------------------|---------|
| LTN-8CK | 8.0 | 12.0 | 1.6                     | 2.2                       | 1000    |

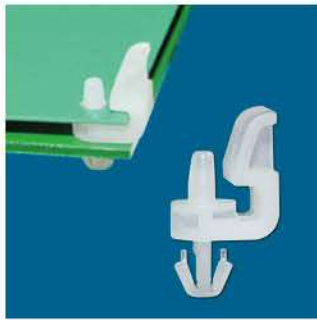


**P.C. 板間隔柱 SPACER SUPPORT 3-113-3**

- MATERIAL: NYLON 66(UL)
- FLAME CLASS: 94V-2
- COLOR: BLUE, BLACK



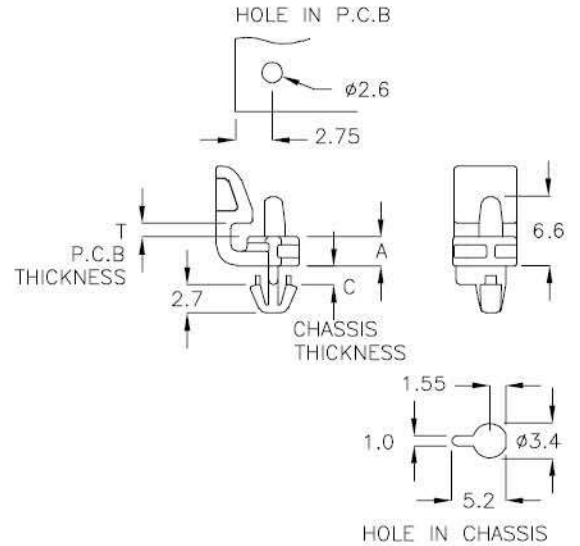
| PART NO | A   | G    | T<br>P.C.B<br>THICKNESS | C<br>CHASSIS<br>THICKNESS | PACKAGE |
|---------|-----|------|-------------------------|---------------------------|---------|
| LMM-6DA | 7.0 | 11.7 | 1.4~1.6                 | 1.4~1.6                   | 1000    |



**P.C. 板間隔柱 SPACER SUPPORT 3-114-1**

- MATERIAL: NYLON 66(UL)
- FLAME CLASS: 94V-2
- COLOR: NATURAL

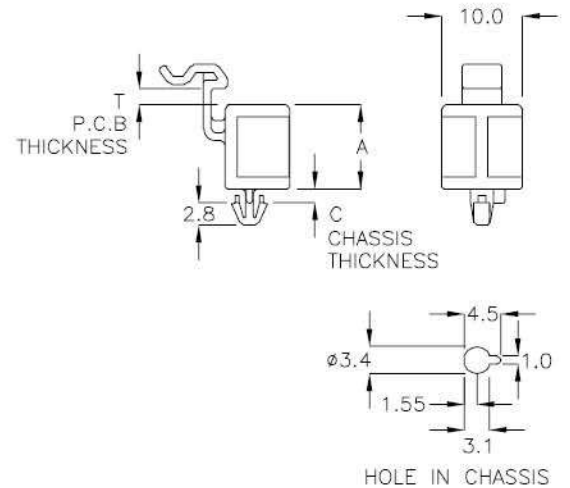
| PART NO | A   | T<br>P.C.B.<br>THICKNESS | C<br>CHASSIS<br>THICKNESS | PACK AGE |
|---------|-----|--------------------------|---------------------------|----------|
| LMF-2K  | 2.8 | 0.8~1.0                  | 1.4~1.6                   | 1000     |



**P.C. 板間隔柱 SPACER SUPPORT 3-114-2**

- MATERIAL: NYLON 66(UL)
- FLAME CLASS: 94V-2
- COLOR: NATURAL

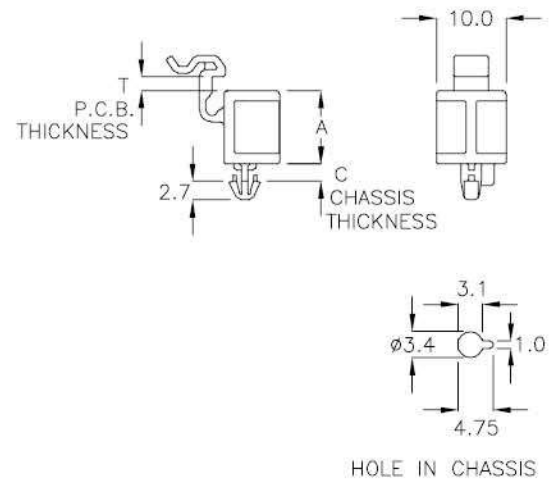
| PART NO | A    | T<br>P.C.B.<br>THICKNESS | C<br>CHASSIS<br>THICKNESS | PACKAGE |
|---------|------|--------------------------|---------------------------|---------|
| LMH-11  | 10.5 | 1.6~1.8                  | 1.4~1.6                   | 1000    |



**P.C. 板間隔柱 SPACER SUPPORT 3-114-3**

- MATERIAL: NYLON 66(UL)
- FLAME CLASS: 94V-2
- COLOR: NATURAL

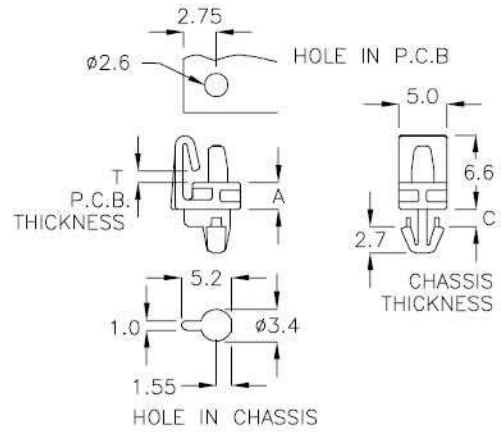
| PART NO  | A    | T<br>P.C.B.<br>THICKNESS | C<br>CHASSIS<br>THICKNESS | PACKAGE |
|----------|------|--------------------------|---------------------------|---------|
| LMH-11SA | 10.5 | 1.6~1.8                  | 2.2~2.4                   | 1000    |



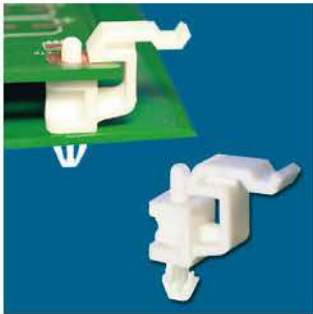


**P.C. 板間隔柱 SPACER SUPPORT 3-115-1**

- MATERIAL: NYLON 66(UL)
- FLAME CLASS: 94V-2
- COLOR: NATURAL

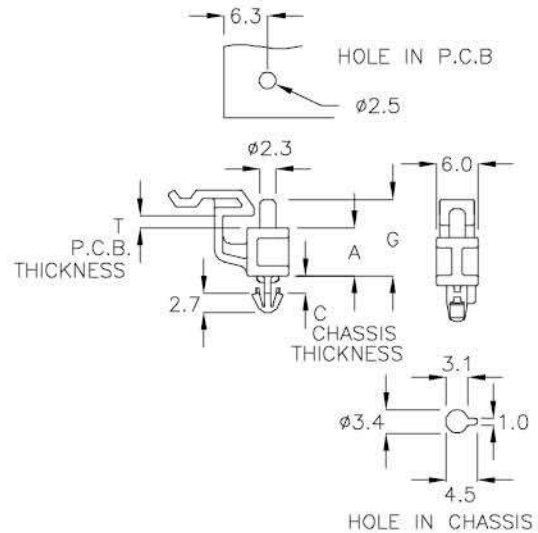


| PART NO | A   | T<br>P.C.B<br>THICKNESS | C<br>CHASSIS<br>THICKNESS | PACKAGE |
|---------|-----|-------------------------|---------------------------|---------|
| LMK-2YW | 2.8 | 0.8~1.0                 | 1.4~1.6                   | 2000    |

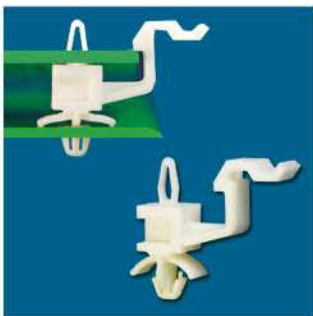


**P.C. 板間隔柱 SPACER SUPPORT 3-115-2**

- MATERIAL: NYLON 66(UL)
- FLAME CLASS: 94V-2
- COLOR: NATURAL

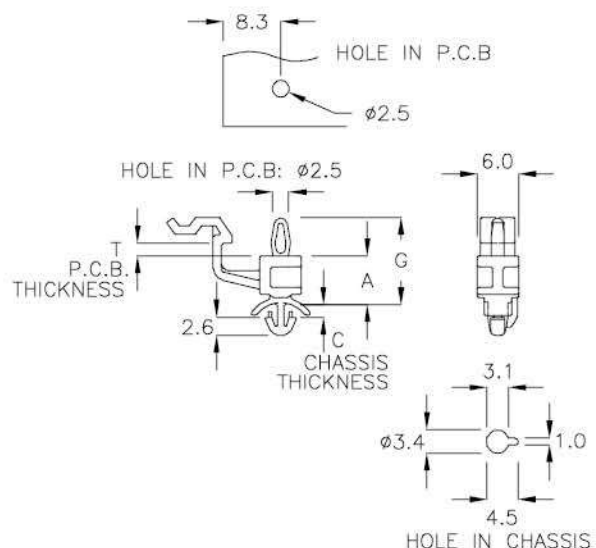


| PART NO | A   | G    | T<br>P.C.B<br>THICKNESS | C<br>CHASSIS<br>THICKNESS | PACKAGE |
|---------|-----|------|-------------------------|---------------------------|---------|
| LMM-6CP | 6.9 | 11.0 | 1.4~1.6                 | 2.2~2.4                   | 1000    |



**P.C. 板間隔柱 SPACER SUPPORT 3-115-3**

- MATERIAL: NYLON 66(UL)
- FLAME CLASS: 94V-2
- COLOR: NATURAL

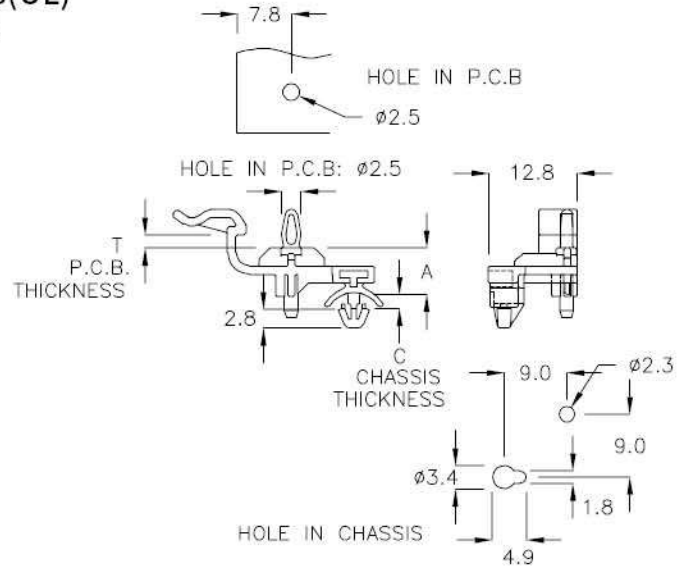


| PART NO | A   | G     | T<br>P.C.B<br>THICKNESS | C<br>CHASSIS<br>THICKNESS | PACKAGE |
|---------|-----|-------|-------------------------|---------------------------|---------|
| LMJ-7TC | 7.0 | 12.55 | 1.6                     | 1.0~1.6                   | 1000    |

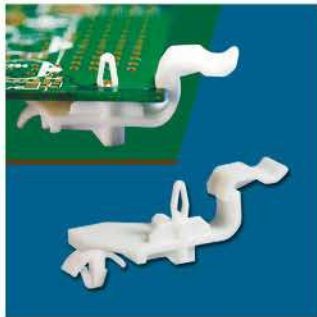


**P.C. 板間隔柱 SPACER SUPPORT 3-116-1**

- MATERIAL: NYLON 66(UL)
- FLAME CLASS: 94V-2
- COLOR: NATURAL

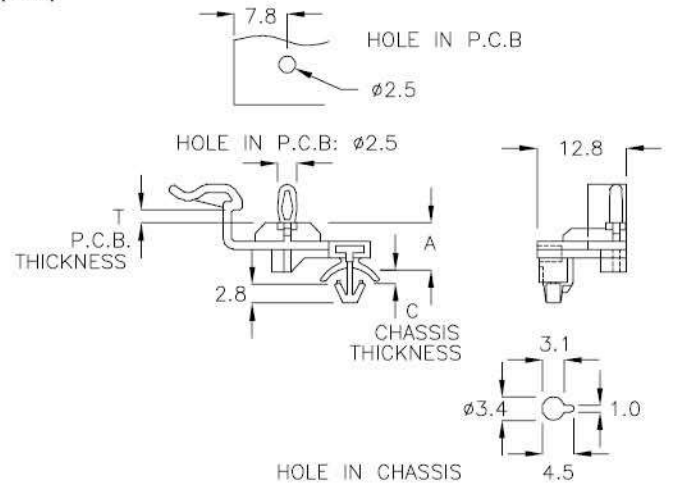


| PART NO | A   | T<br>P.C.B.<br>THICKNESS | C<br>CHASSIS<br>THICKNESS | PACKAGE |
|---------|-----|--------------------------|---------------------------|---------|
| LMX-7BK | 6.7 | 1.6                      | 1.0~1.6                   | 500     |

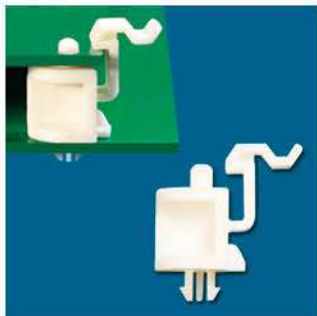


**P.C. 板間隔柱 SPACER SUPPORT 3-116-2**

- MATERIAL: NYLON 66(UL)
- FLAME CLASS: 94V-2
- COLOR: NATURAL

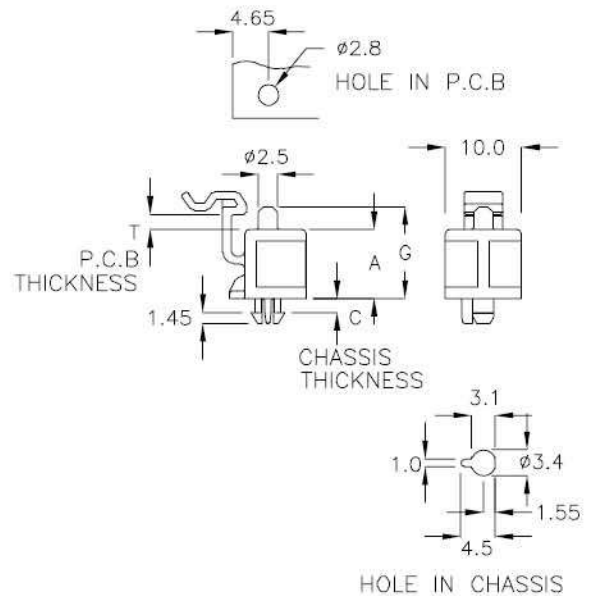


| PART NO | A   | T<br>P.C.B.<br>THICKNESS | C<br>CHASSIS<br>THICKNESS | PACKAGE |
|---------|-----|--------------------------|---------------------------|---------|
| LMX-7YD | 6.7 | 1.6                      | 1.0~1.6                   | 500     |

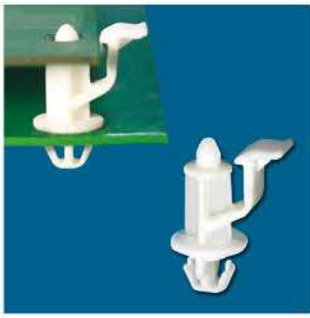


**P.C. 板間隔柱 SPACER SUPPORT 3-116-3**

- MATERIAL: NYLON 66(UL)
- FLAME CLASS: 94V-2
- COLOR: NATURAL

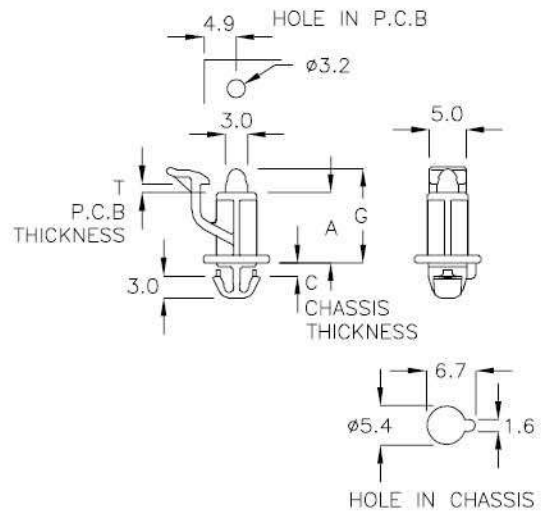


| PART NO | A   | G    | T<br>P.C.B.<br>THICKNESS | C<br>CHASSIS<br>THICKNESS | PACKAGE |
|---------|-----|------|--------------------------|---------------------------|---------|
| LTH-9PN | 9.0 | 12.0 | 1.6~1.8                  | 1.4~1.6                   | 1000    |



**P.C. 板間隔柱 SPACER SUPPORT 3-117-1**

- MATERIAL: NYLON 66(UL)
- FLAME CLASS: 94V-2
- COLOR: NATURAL

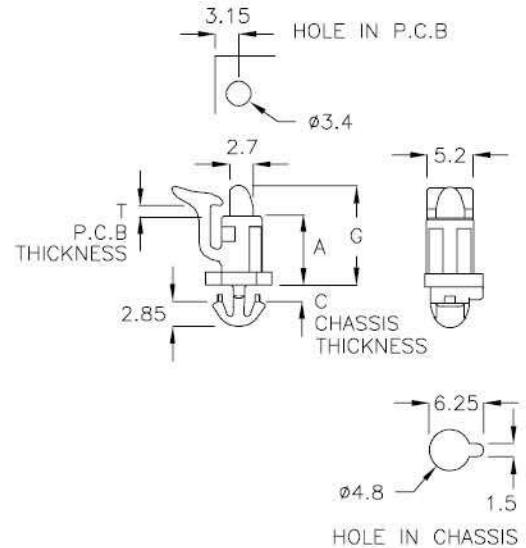


| PART NO | A    | G     | T<br>P.C.B<br>THICKNESS | C<br>CHASSIS<br>THICKNESS | PACKAGE |
|---------|------|-------|-------------------------|---------------------------|---------|
| LMP-9RQ | 9.55 | 12.85 | 0.8~1.0                 | 1.4~1.6                   | 1000    |



**P.C. 板間隔柱 SPACER SUPPORT 3-117-2**

- MATERIAL: NYLON 66(UL)
- FLAME CLASS: 94V-2
- COLOR: NATURAL, BLACK

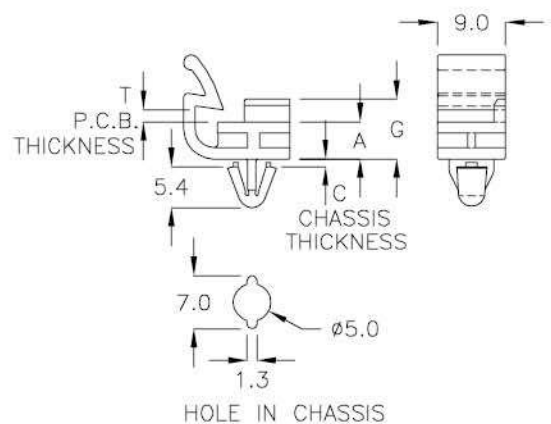


| PART NO | A    | G    | T<br>P.C.B<br>THICKNESS | C<br>CHASSIS<br>THICKNESS | PACKAGE |
|---------|------|------|-------------------------|---------------------------|---------|
| LTN-7C  | 7.85 | 11.4 | 1.0~1.2                 | 1.4~1.6                   | 1000    |
| LTN-7F  | 7.85 | 11.4 | 1.0~1.2                 | 2.0~2.15                  |         |
| LTN-9K  | 9.0  | 12.6 | 1.2~1.6                 | 2.15                      |         |

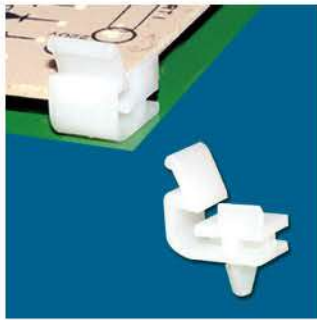


**P.C. 板間隔柱 SPACER SUPPORT 3-117-3**

- MATERIAL: NYLON 66(UL)
- FLAME CLASS: 94V-2
- COLOR: NATURAL

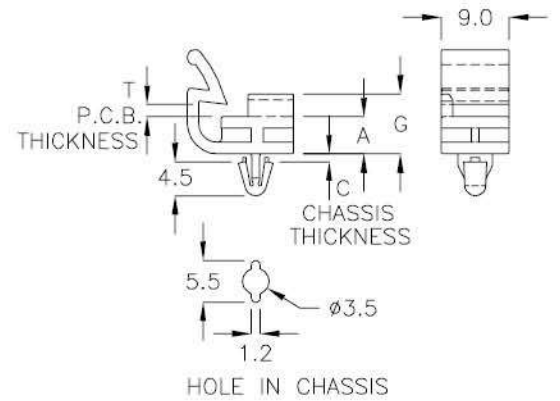


| PART NO | A   | G   | T<br>P.C.B<br>THICKNESS | C<br>CHASSIS<br>THICKNESS | PACKAGE |
|---------|-----|-----|-------------------------|---------------------------|---------|
| LSK-6P  | 4.9 | 7.9 | 1.4~1.6                 | 0.6~0.8                   | 500     |



**P.C. 板間隔柱 SPACER SUPPORT ———— 3-118-1**

- MATERIAL: NYLON 66(UL)
- FLAME CLASS: 94V-2
- COLOR: NATURAL

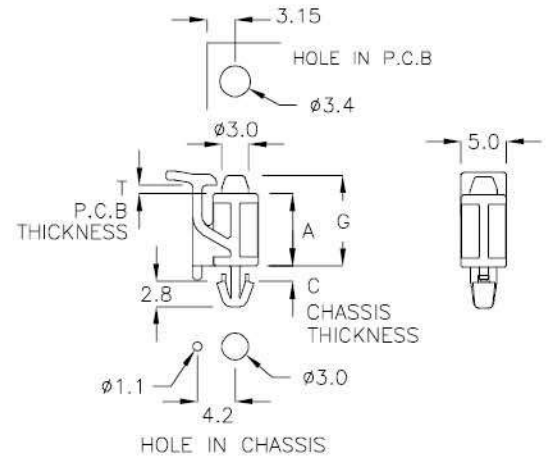


| PART NO | A   | G   | T<br>P.C.B.<br>THICKNESS | C<br>CHASSIS<br>THICKNESS | PACKAGE |
|---------|-----|-----|--------------------------|---------------------------|---------|
| LSK-6Q  | 4.9 | 7.9 | 1.4~1.6                  | 0.6~0.8                   | 500     |



**P.C. 板間隔柱 SPACER SUPPORT ———— 3-118-2**

- MATERIAL: NYLON 66(UL)
- FLAME CLASS: 94V-2
- COLOR: NATURAL

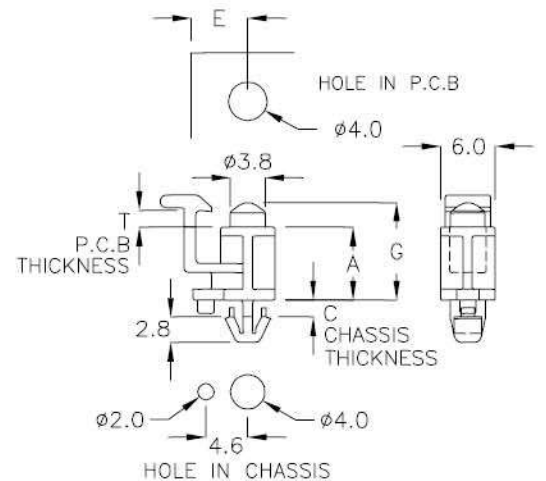


| PART NO | A   | G    | T<br>P.C.B.<br>THICKNESS | C<br>CHASSIS<br>THICKNESS | PACKAGE |
|---------|-----|------|--------------------------|---------------------------|---------|
| LMR-08  | 8.0 | 10.0 | 0.6~0.8                  | 1.4~1.6                   | 1000    |

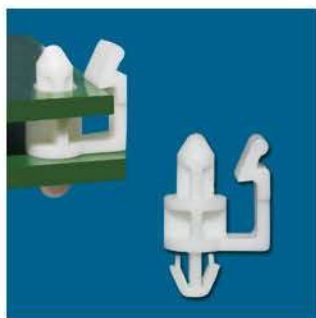


**P.C. 板間隔柱 SPACER SUPPORT ———— 3-118-3**

- MATERIAL: NYLON 66(UL)
- FLAME CLASS: 94V-2
- COLOR: BLACK

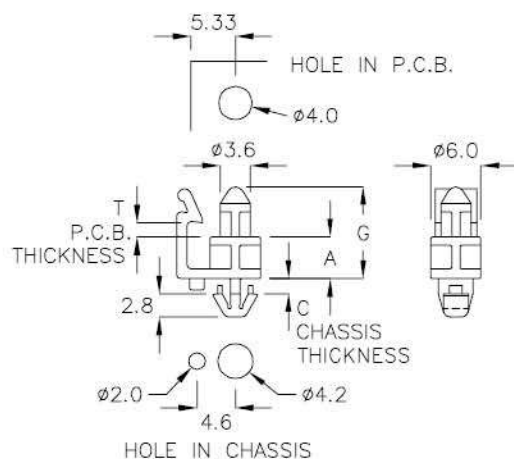


| PART NO | A   | G    | E   | T<br>P.C.B.<br>THICKNESS | C<br>CHASSIS<br>THICKNESS | PACKAGE |
|---------|-----|------|-----|--------------------------|---------------------------|---------|
| LMQ-8HR | 8.0 | 10.7 | 5.3 | 1.6                      | 1.6                       | 1000    |

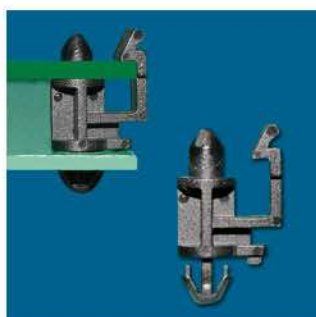


**P.C. 板間隔柱 SPACER SUPPORT** ———— | **3-119-1** |

- MATERIAL: NYLON 66(UL)
- FLAME CLASS: 94V-2
- COLOR: NATURAL

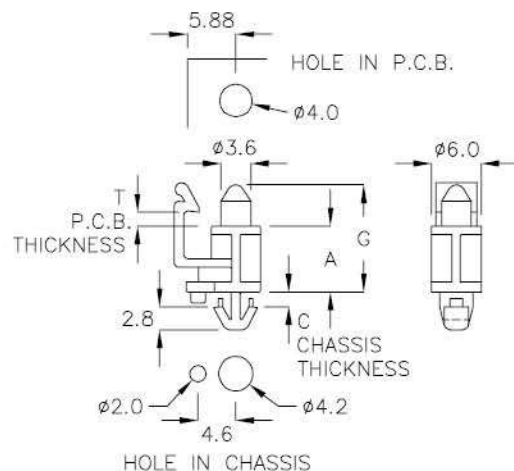


| PART NO | A   | G    | C<br>CHASSIS<br>THICKNESS | T<br>P.C.B.<br>THICKNESS | PACKAGE |
|---------|-----|------|---------------------------|--------------------------|---------|
| LMG-5FH | 5.0 | 11.0 | 1.6                       | 1.6                      | 2000    |

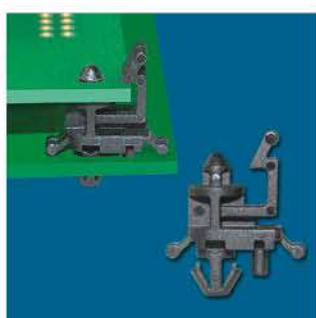


**P.C. 板間隔柱 SPACER SUPPORT** ———— | **3-119-2** |

- MATERIAL: NYLON 66(UL)
- FLAME CLASS: 94V-2
- COLOR: BLACK

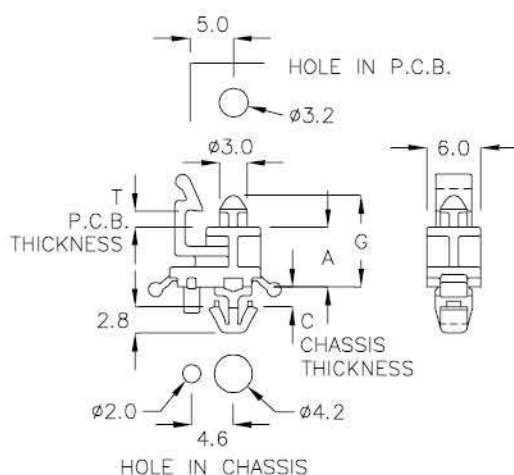


| PART NO | A   | G    | C<br>CHASSIS<br>THICKNESS | T<br>P.C.B.<br>THICKNESS | PACKAGE |
|---------|-----|------|---------------------------|--------------------------|---------|
| LMG-8AT | 8.0 | 13.0 | 1.6                       | 1.6                      | 1000    |

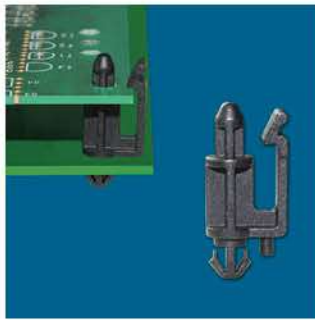


**P.C. 板間隔柱 SPACER SUPPORT** ———— | **3-119-3** |

- MATERIAL: NYLON 66(UL)
- FLAME CLASS: 94V-2
- COLOR: BLACK



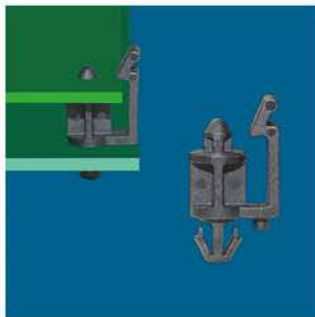
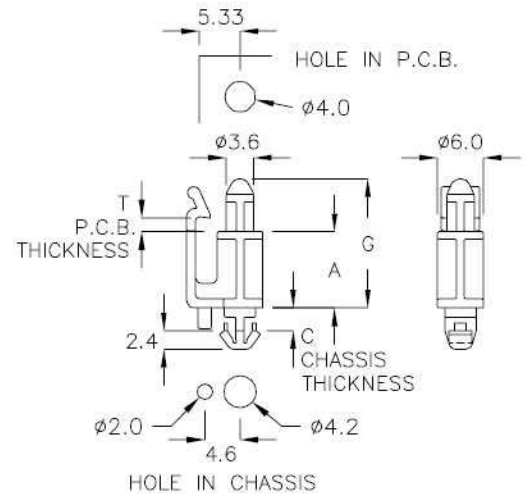
| PART NO | A   | G    | C<br>CHASSIS<br>THICKNESS | T<br>P.C.B.<br>THICKNESS | PACKAGE |
|---------|-----|------|---------------------------|--------------------------|---------|
| LMB-5AC | 6.6 | 10.1 | 1.7~1.9                   | 1.6                      | 2000    |



**P.C. 板間隔柱 SPACER SUPPORT | 3-120-1 |**

- MATERIAL: NYLON 66(UL)
- FLAME CLASS: 94V-2
- COLOR: BLACK

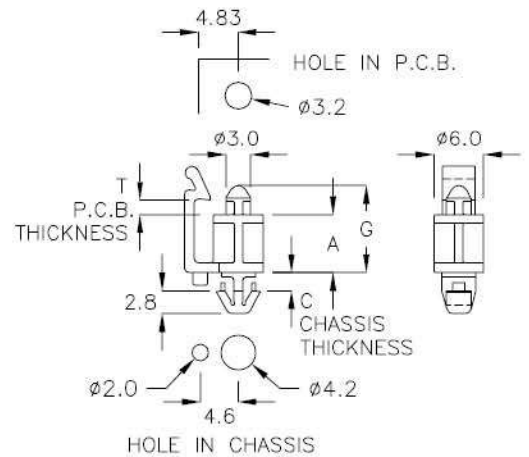
| PART NO  | A    | G    | C<br>CHASSIS<br>THICKNESS | T<br>P.C.B.<br>THICKNESS | PACKAGE |
|----------|------|------|---------------------------|--------------------------|---------|
| LMG-10JK | 10.0 | 16.9 | 2.6                       | 1.6                      | 1000    |



**P.C. 板間隔柱 SPACER SUPPORT | 3-120-2 |**

- MATERIAL: NYLON 66(UL)
- FLAME CLASS: 94V-2
- COLOR: BLACK

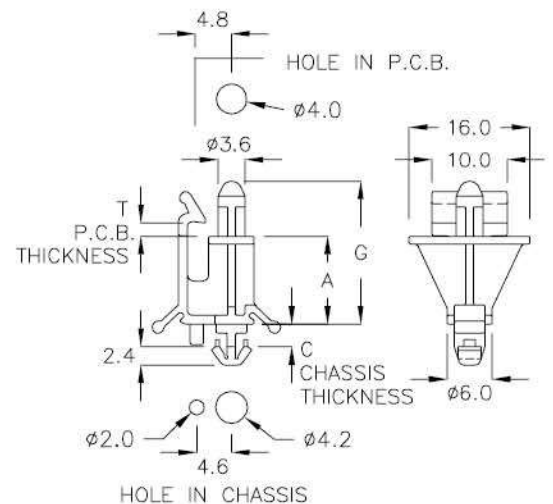
| PART NO | A   | G    | C<br>CHASSIS<br>THICKNESS | T<br>P.C.B.<br>THICKNESS | PACKAGE |
|---------|-----|------|---------------------------|--------------------------|---------|
| LMG-7JK | 7.0 | 10.5 | 1.93                      | 1.6                      | 1000    |



**P.C. 板間隔柱 SPACER SUPPORT | 3-120-3 |**

- MATERIAL: NYLON 66(UL)
- FLAME CLASS: 94V-2
- COLOR: BLACK

| PART NO   | A    | G    | C<br>CHASSIS<br>THICKNESS | T<br>P.C.B.<br>THICKNESS | PACKAGE |
|-----------|------|------|---------------------------|--------------------------|---------|
| LMGA-11PS | 11.6 | 18.9 | 2.6                       | 1.6                      | 1000    |





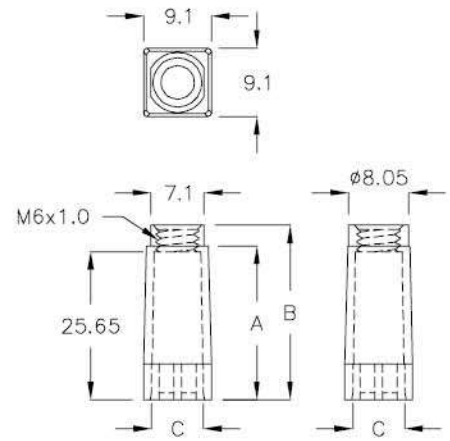


固定座 MOUNT

3-141-1

- MATERIAL: NYLON 66(UL)
- FLAME CLASS: 94V-0
- COLOR: NATURAL

NEW



| PART NO   | A    | B    | C    | PACKAGE |
|-----------|------|------|------|---------|
| ★ RMT-26A | 26.4 | 29.2 | 6.94 | 500     |

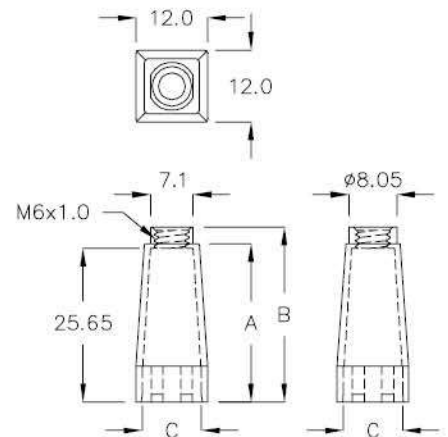


固定座 MOUNT

3-141-2

- MATERIAL: NYLON 66(UL)
- FLAME CLASS: 94V-0
- COLOR: NATURAL

NEW



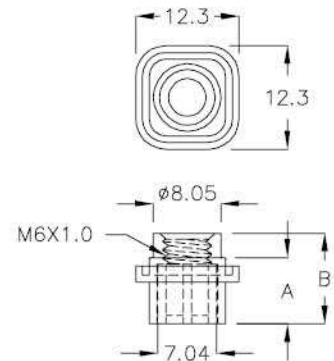
| PART NO   | A    | B    | C   | PACKAGE |
|-----------|------|------|-----|---------|
| ★ RMG-26C | 26.4 | 29.2 | 9.9 | 500     |



固定座 MOUNT

3-141-3

- MATERIAL: NYLON 66(UL)
- FLAME CLASS: 94V-0
- COLOR: NATURAL



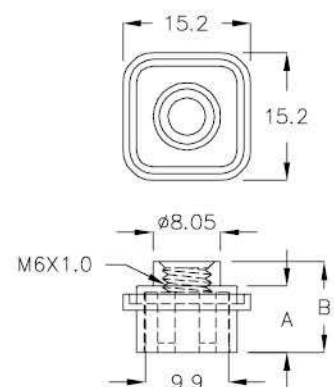
| PART NO | A   | B    | PACKAGE |
|---------|-----|------|---------|
| RMJ-7FS | 7.9 | 10.8 | 500     |



固定座 MOUNT

3-141-4

- MATERIAL: NYLON 66(UL)
- FLAME CLASS: 94V-0
- COLOR: NATURAL



| PART NO | A   | B    | PACKAGE |
|---------|-----|------|---------|
| RMK-7WR | 7.9 | 10.8 | 500     |

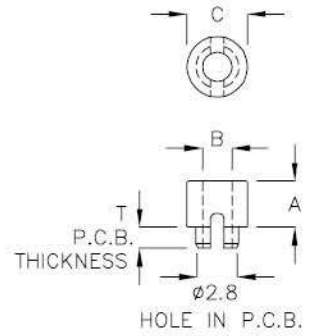


### 圓體間隔柱 SPACER SUPPORT

3-142-1

- MATERIAL: NYLON 66(UL)
- FLAME CLASS: 94V-0
- COLOR: NATURAL

| PART NO | A    | B     | C    | T<br>P.C.B.<br>THICKNESS | PACKAGE |
|---------|------|-------|------|--------------------------|---------|
| ADW-3T  | 3.05 | ∅1.95 | ∅4.0 | 1.6                      | 2000    |

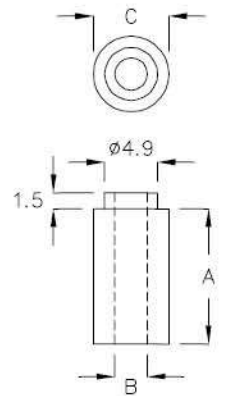


### 圓體間隔柱 SPACER SUPPORT

3-142-2

- MATERIAL: NYLON 66(UL)
- FLAME CLASS: 94V-2
- COLOR: NATURAL

| PART NO | A    | B    | C    | PACKAGE |
|---------|------|------|------|---------|
| AD-012  | 12.0 | ∅3.0 | ∅7.0 | 500     |
| AD-12A  | 12.5 | ∅3.2 | ∅7.0 |         |

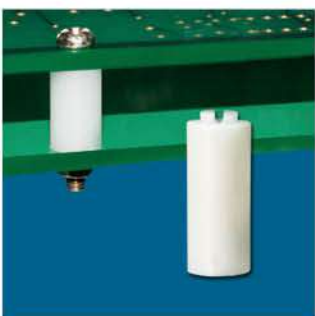
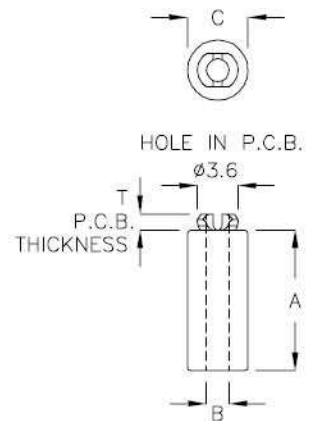


### 圓體間隔柱 SPACER SUPPORT

3-142-3

- MATERIAL: NYLON 66(UL)
- FLAME CLASS: 94V-2
- COLOR: NATURAL

| PART NO | A    | B    | C    | T<br>P.C.B.<br>THICKNESS | PACKAGE |
|---------|------|------|------|--------------------------|---------|
| ADK-13  | 13.0 | ∅2.1 | ∅5.6 | 1.6                      | 1000    |

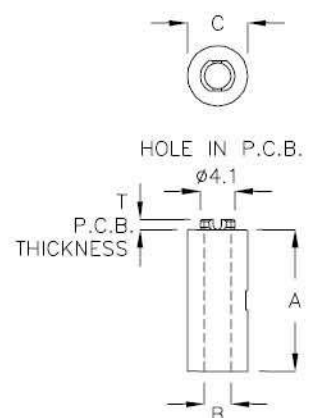


### 圓體間隔柱 SPACER SUPPORT

3-142-4

- MATERIAL: NYLON 66(UL)
- FLAME CLASS: 94V-2
- COLOR: NATURAL

| PART NO | A    | B     | C     | T<br>P.C.B.<br>THICKNESS | PACKAGE |
|---------|------|-------|-------|--------------------------|---------|
| ADH-06C | 6.3  | ∅3.25 | ∅7.4  | 1.4~1.6                  | 1000    |
| ADH-17  | 17.1 | ∅3.2  | ∅7.45 | 1.4~1.6                  | 500     |
| ADH-19T | 19.1 | ∅3.25 | ∅7.4  | 1.4~1.6                  |         |

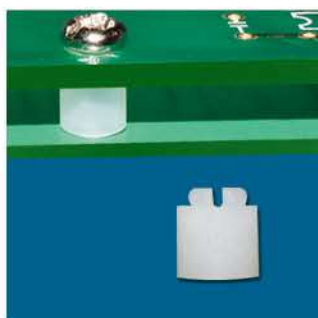
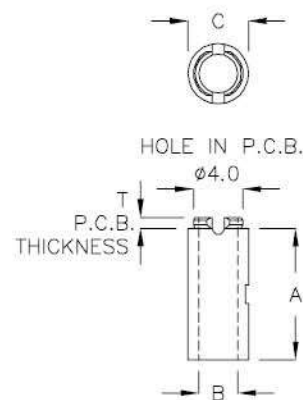




**圓體間隔柱 SPACER SUPPORT 3-143-1**

- MATERIAL: NYLON 66(UL)
- FLAME CLASS: 94V-2
- COLOR: NATURAL

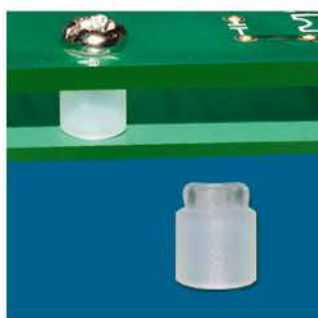
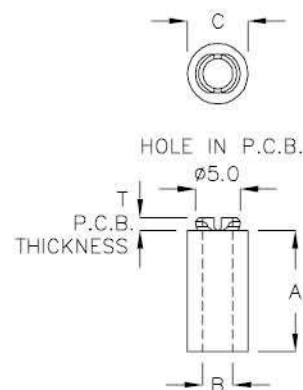
| PART NO | A    | B    | C    | T<br>P.C.B.<br>THICKNESS | PACKAGE |
|---------|------|------|------|--------------------------|---------|
| ADP-20A | 20.0 | ∅3.2 | ∅5.0 | 1.0~1.2                  | 500     |



**圓體間隔柱 SPACER SUPPORT 3-143-2**

- MATERIAL: NYLON 66(UL)
- FLAME CLASS: 94V-2
- COLOR: NATURAL

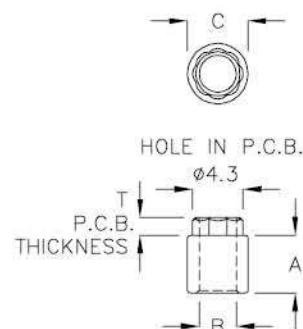
| PART NO  | A    | B    | C    | T<br>P.C.B.<br>THICKNESS | PACKAGE |
|----------|------|------|------|--------------------------|---------|
| ADF-2M   | 2.5  | ∅3.5 | ∅7.0 | 1.6~1.8                  | 1000    |
| ADF-03   | 3.0  | ∅3.5 | ∅7.0 | 1.6~1.8                  |         |
| ADF-3M   | 3.5  | ∅3.5 | ∅7.0 | 1.6~1.8                  |         |
| ADF-04   | 4.0  | ∅3.5 | ∅7.0 | 1.6~1.8                  |         |
| ADF-4M   | 4.5  | ∅3.5 | ∅7.0 | 1.6~1.8                  |         |
| ADF-05   | 5.0  | ∅3.5 | ∅7.0 | 1.6~1.8                  |         |
| ADF-5M   | 5.5  | ∅3.5 | ∅7.0 | 1.6~1.8                  |         |
| ADF-06   | 6.0  | ∅3.5 | ∅7.0 | 1.6~1.8                  |         |
| ADF-6M   | 6.5  | ∅3.5 | ∅7.0 | 1.6~1.8                  |         |
| ADF-07   | 7.0  | ∅3.5 | ∅7.0 | 1.6~1.8                  |         |
| ADF-7M   | 7.5  | ∅3.5 | ∅7.0 | 1.6~1.8                  |         |
| ADF-08   | 8.0  | ∅3.5 | ∅7.0 | 1.6~1.8                  |         |
| ADF-8M   | 8.5  | ∅3.5 | ∅7.0 | 1.6~1.8                  |         |
| ADF-09   | 9.0  | ∅3.5 | ∅7.0 | 1.6~1.8                  |         |
| ADF-10   | 10.0 | ∅3.5 | ∅7.0 | 1.6~1.8                  |         |
| ADF-11   | 11.0 | ∅3.5 | ∅7.0 | 1.6~1.8                  |         |
| ADF-17RM | 17.5 | ∅3.5 | ∅7.0 | 1.6~1.8                  | 500     |
| ADF-22KC | 22.0 | ∅3.5 | ∅7.0 | 1.6~1.8                  |         |



**圓體間隔柱 SPACER SUPPORT 3-143-3**

- MATERIAL: NYLON 66(UL)
- FLAME CLASS: 94V-2
- COLOR: NATURAL

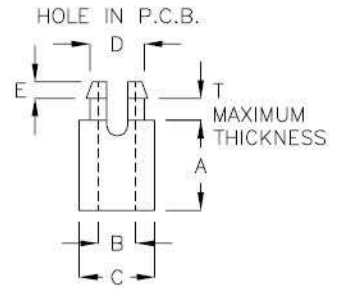
| PART NO | A   | B    | C    | T<br>P.C.B.<br>THICKNESS | PACKAGE |
|---------|-----|------|------|--------------------------|---------|
| ADQ-05  | 5.0 | ∅3.2 | ∅5.2 | 1.6~1.8                  | 2000    |



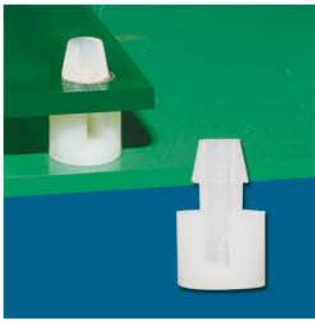


P.C. 板間隔柱 SPACER SUPPORT 3-144-1

- MATERIAL: NYLON 66(UL)
- FLAME CLASS: 94V-2
- COLOR: NATURAL



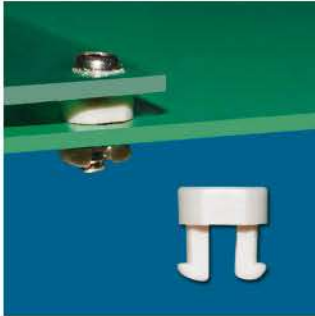
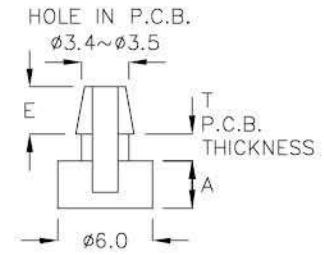
| PART NO    | A    | B     | C     | D<br>HOLE IN<br>P.C.B. | E    | T<br>MAXIMUM<br>THICKNESS | PACKAGE |
|------------|------|-------|-------|------------------------|------|---------------------------|---------|
| SRS2-2C    | 2.0  | ∅2.1  | ∅4.0  | ∅3.0                   | 1.0  | 1.6                       | 2000    |
| SRS2-2A    | 2.5  | ∅2.1  | ∅4.0  | ∅3.0                   | 1.0  | 1.6                       |         |
| SRS2-2M    | 2.5  | ∅2.7  | ∅5.5  | ∅4.0                   | 1.5  | 1.7                       |         |
| SRS2-3     | 3.0  | ∅2.7  | ∅5.5  | ∅4.0                   | 1.55 | 1.7                       |         |
| SRS2-3GK   | 3.5  | ∅2.7  | ∅5.5  | ∅4.0                   | 1.4  | 1.7                       |         |
| SRS2-4     | 4.0  | ∅2.7  | ∅5.5  | ∅4.0                   | 1.5  | 1.7                       |         |
| SRS2-4AC   | 4.0  | ∅2.1  | ∅4.0  | ∅3.0                   | 1.0  | 1.6                       |         |
| SRS2-4CB   | 4.5  | ∅2.7  | ∅5.5  | ∅4.0                   | 1.4  | 1.7                       |         |
| SRS2-5     | 5.0  | ∅2.7  | ∅5.5  | ∅4.0                   | 1.5  | 1.7                       |         |
| SRS2-5ZM   | 5.5  | ∅2.7  | ∅5.5  | ∅4.0                   | 1.4  | 1.7                       |         |
| SRS2-6     | 6.0  | ∅2.7  | ∅5.5  | ∅4.0                   | 1.5  | 1.7                       |         |
| SRS2-6A    | 6.35 | ∅2.25 | ∅4.54 | ∅3.55                  | 1.0  | 1.1                       |         |
| SRS2-8     | 8.0  | ∅2.7  | ∅5.5  | ∅4.0                   | 1.4  | 1.6                       |         |
| SRS2-15    | 15.0 | ∅3.1  | ∅5.5  | ∅4.0                   | 1.55 | 1.6                       | 500     |
| ★ SRS3-2MA | 2.0  | ∅3.2  | ∅6.4  | ∅4.8                   | 1.5  | 1.2                       | 2000    |
| SRS3-3S    | 2.7  | ∅3.2  | ∅6.5  | ∅4.8                   | 1.6  | 1.7                       |         |
| SRS3-3A    | 3.0  | ∅2.8  | ∅5.5  | ∅4.0                   | 1.4  | 1.6                       |         |
| SRS3-3M    | 3.0  | ∅3.2  | ∅6.5  | ∅4.8                   | 1.7  | 1.7                       |         |
| SRS3-3     | 3.5  | ∅3.2  | ∅6.4  | ∅4.8                   | 1.4  | 1.7                       |         |
| SRS3-4     | 4.0  | ∅3.2  | ∅6.5  | ∅4.8                   | 1.65 | 1.7                       |         |
| SRS3-4A    | 4.5  | ∅3.4  | ∅6.5  | ∅4.8                   | 1.8  | 1.6                       |         |
| SRS3-5     | 5.0  | ∅3.2  | ∅6.5  | ∅4.8                   | 1.6  | 1.7                       | 1000    |
| SRS3-6S    | 6.1  | ∅3.2  | ∅6.5  | ∅4.8                   | 1.6  | 1.7                       |         |
| SRS3-6     | 6.5  | ∅3.2  | ∅6.4  | ∅4.8                   | 1.6  | 1.7                       |         |
| SRS3-7S    | 7.0  | ∅3.2  | ∅6.5  | ∅4.8                   | 1.6  | 1.7                       |         |
| SRS3-7F    | 7.4  | ∅3.2  | ∅6.5  | ∅4.8                   | 1.7  | 1.7                       |         |
| SRS3-7     | 7.7  | ∅3.2  | ∅6.5  | ∅4.8                   | 1.7  | 1.7                       |         |
| SRS3-8     | 8.0  | ∅3.2  | ∅6.5  | ∅4.8                   | 1.6  | 1.7                       |         |
| SRS3-9     | 9.0  | ∅3.2  | ∅6.5  | ∅4.8                   | 1.8  | 1.7                       | 500     |
| SRS3-10M   | 10.5 | ∅3.15 | ∅6.5  | ∅4.8                   | 1.6  | 1.7                       |         |
| SRS3-12A   | 12.7 | ∅3.2  | ∅6.5  | ∅4.8                   | 1.6  | 1.7                       |         |
| SRS3-14    | 14.2 | ∅3.2  | ∅6.5  | ∅4.8                   | 1.7  | 1.7                       | 500     |
| SRS4-6     | 6.4  | ∅3.9  | ∅6.9  | ∅6.0                   | 1.6  | 1.7                       | 1000    |
| SRS4-12S   | 12.0 | ∅3.9  | ∅6.9  | ∅6.0                   | 1.6  | 1.7                       | 500     |
| SRS4-12    | 12.7 | ∅3.9  | ∅6.9  | ∅6.0                   | 1.7  | 1.7                       |         |



**P.C. 板間隔柱 SPACER SUPPORT 3-145-1**

- MATERIAL: NYLON 66(UL)
- FLAME CLASS: 94V-2
- COLOR: NATURAL

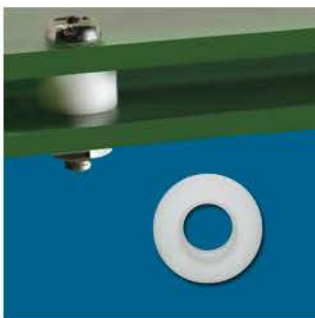
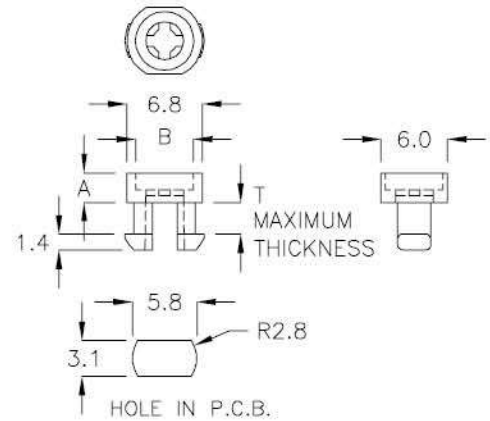
| PART NO | A   | E   | T<br>P.C.B.<br>THICKNESS | PACKAGE |
|---------|-----|-----|--------------------------|---------|
| PCBS-3  | 3.0 | 3.0 | 1.4~1.6                  | 2000    |
| PCBS-3M | 3.5 | 3.0 | 1.4~1.6                  |         |
| PCBS-4  | 4.0 | 3.0 | 1.4~1.6                  |         |
| PCBS-4M | 4.5 | 3.0 | 1.4~1.6                  |         |
| PCBS-5  | 5.0 | 3.0 | 1.4~1.6                  |         |



**P.C. 板間隔柱 SPACER SUPPORT 3-145-2**

- MATERIAL: NYLON 66(UL)
- FLAME CLASS: 94V-2
- COLOR: NATURAL

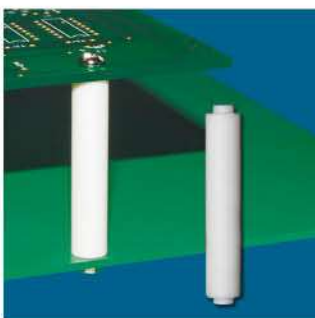
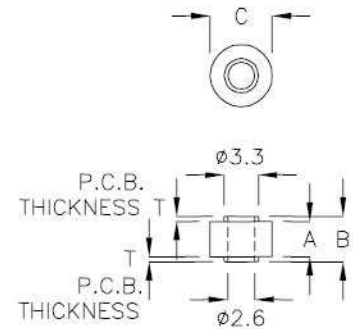
| PART NO | A    | B          | T<br>MAXIMUM<br>THICKNESS | PACKAGE |
|---------|------|------------|---------------------------|---------|
| SSR-2A  | 2.65 | $\phi 5.2$ | 2.6                       | 2000    |



**圓體間隔柱 SPACER SUPPORT 3-145-3**

- MATERIAL: NYLON 66(UL)
- FLAME CLASS: 94V-2
- COLOR: NATURAL

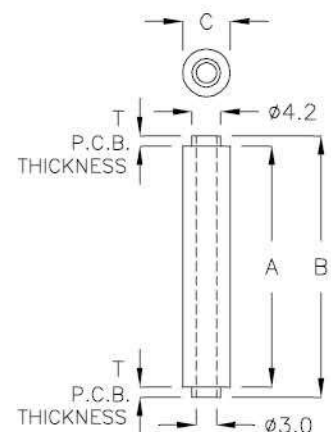
| PART NO | A   | B   | C          | T<br>P.C.B.<br>THICKNESS | PACKAGE |
|---------|-----|-----|------------|--------------------------|---------|
| ADJ-2CH | 2.9 | 3.9 | $\phi 6.0$ | 0.8~1.6                  | 2000    |
| ADJ-3FQ | 3.4 | 4.4 | $\phi 6.0$ | 0.8~1.6                  |         |

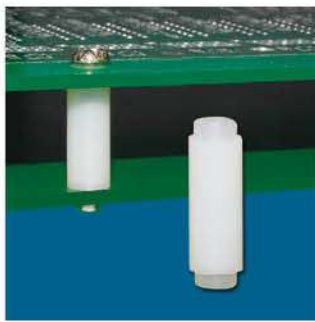


**圓體間隔柱 SPACER SUPPORT 3-145-4**

- MATERIAL: NYLON 66(UL)
- FLAME CLASS: 94V-0
- COLOR: NATURAL

| PART NO | A    | B    | C          | T<br>P.C.B.<br>THICKNESS | PACKAGE |
|---------|------|------|------------|--------------------------|---------|
| AD-35A  | 35.4 | 38.4 | $\phi 7.0$ | 1.6~1.8                  | 500     |



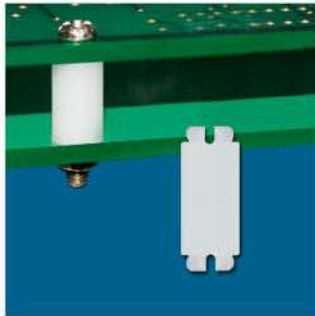
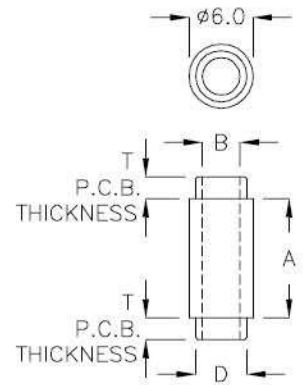


圓體間隔柱 SPACER SUPPORT

3-146-1

- MATERIAL: NYLON 66(UL)
- FLAME CLASS: 94V-2
- COLOR: NATURAL

| PART NO | A    | B    | D    | T<br>P.C.B.<br>THICKNESS | PACKAGE |
|---------|------|------|------|--------------------------|---------|
| ADA-15  | 15.0 | ∅3.5 | ∅4.8 | 2.2~2.4                  | 1000    |

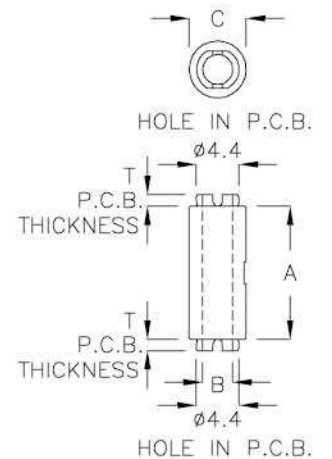


圓體間隔柱 SPACER SUPPORT

3-146-2

- MATERIAL: NYLON 66(UL)
- FLAME CLASS: 94V-2
- COLOR: NATURAL

| PART NO | A    | B    | C    | T<br>P.C.B.<br>THICKNESS | PACKAGE |
|---------|------|------|------|--------------------------|---------|
| ADHM-14 | 14.0 | ∅3.2 | ∅6.0 | 1.4~1.6                  | 500     |

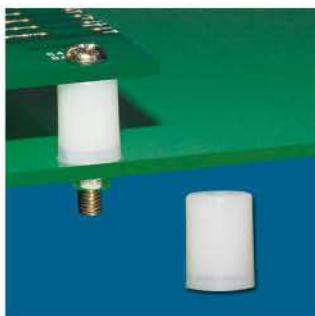
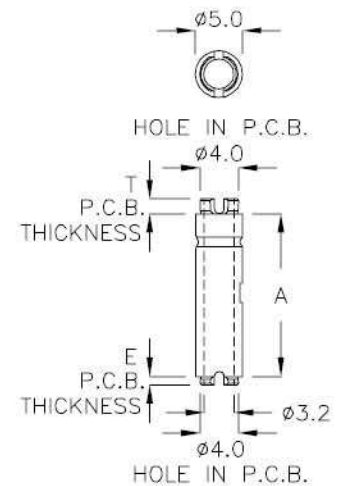


圓體間隔柱 SPACER SUPPORT

3-146-3

- MATERIAL: NYLON 66(UL)
- FLAME CLASS: 94V-2
- COLOR: NATURAL

| PART NO | A    | T<br>P.C.B.<br>THICKNESS | E<br>P.C.B.<br>THICKNESS | PACKAGE |
|---------|------|--------------------------|--------------------------|---------|
| ADM-20A | 20.0 | 1.8~2.0                  | 1.0~1.2                  | 500     |

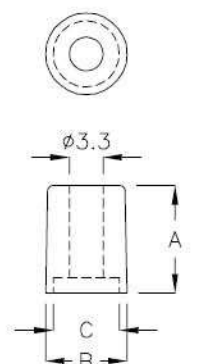


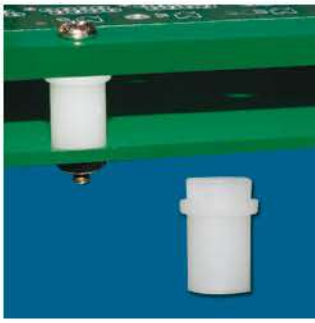
P.C. 板間隔柱 SPACER SUPPORT

3-146-4

- MATERIAL: NYLON 66(UL)
- FLAME CLASS: 94V-2
- COLOR: NATURAL

| PART NO | A    | B    | C    | PACKAGE |
|---------|------|------|------|---------|
| SH-10   | 10.5 | ∅8.0 | ∅6.5 | 1000    |

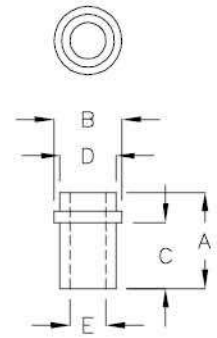




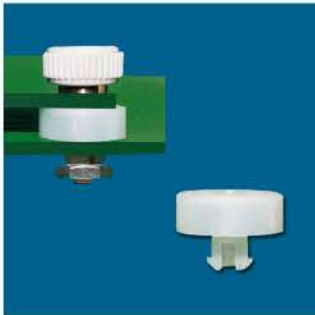
### 絕緣套 BUSHING

3-147-1

- MATERIAL: NYLON 66(UL)
- FLAME CLASS: 94V-2
- COLOR: NATURAL



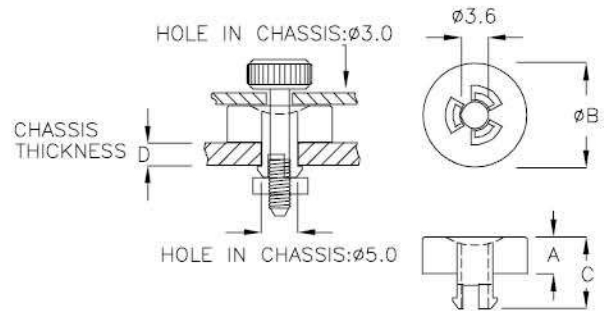
| PART NO | A    | B    | C   | D    | E    | PACKAGE |
|---------|------|------|-----|------|------|---------|
| SH-12A  | 12.7 | ∅9.0 | 8.7 | ∅7.4 | ∅4.8 | 1000    |



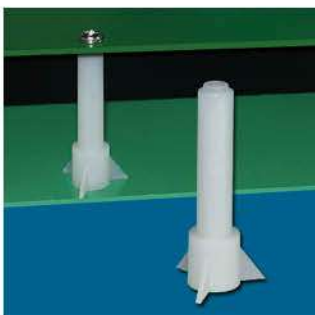
### P.C. 板間隔柱 SPACER SUPPORT

3-147-2

- MATERIAL: NYLON 66(UL)
- FLAME CLASS: 94V-2
- COLOR: NATURAL
- USE M3 SCREW



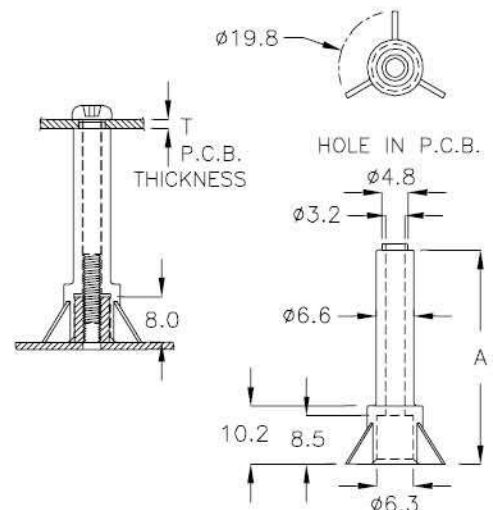
| PART NO | A   | B    | C    | D<br>CHASSIS<br>THICKNESS | PACKAGE |
|---------|-----|------|------|---------------------------|---------|
| MHT-05  | 5.0 | 14.0 | 10.2 | 3.2~3.4                   | 1000    |
| MHT-5A  | 5.0 | 14.0 | 9.6  | 2.8~3.0                   |         |



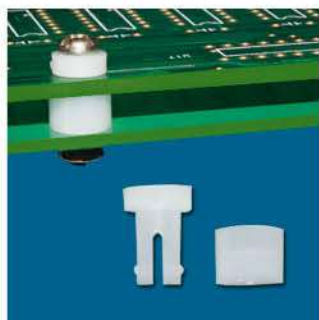
### P.C. 板間隔柱 SPACER SUPPORT

3-147-3

- MATERIAL: NYLON 66(UL)
- FLAME CLASS: 94V-2
- COLOR: NATURAL

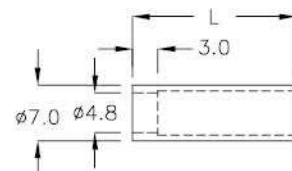
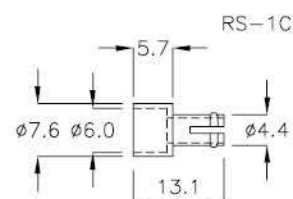
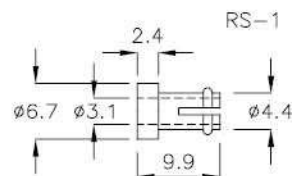
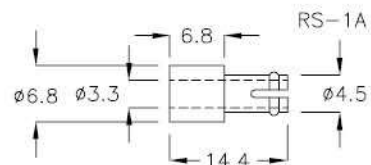


| PART NO  | A    | T<br>P.C.B.<br>THICKNESS | PACKAGE |
|----------|------|--------------------------|---------|
| ADGF-38C | 37.5 | 0.8~1.0                  | 200     |

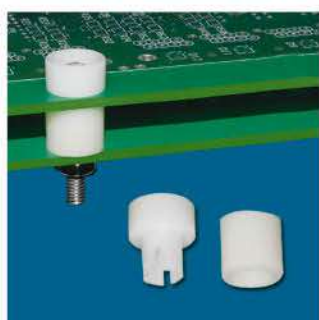


P.C. 板間隔柱 SPACER SUPPORT 3-148-1

- MATERIAL: NYLON 66(UL)
- FLAME CLASS: 94V-2
- COLOR: NATURAL
- USE M3 SCREW
- P.C.B MAX THICKNESS: 2.4mm

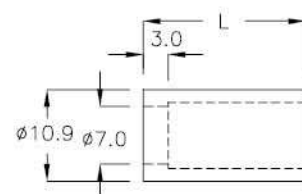
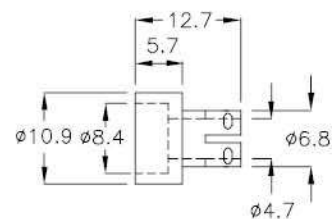


| PART NO | L      | HOLE IN P.C.B | HOLE IN CHASSIS | PACKAGE |
|---------|--------|---------------|-----------------|---------|
| RS-1    | RS-57  | 6.0           | ø5.0            | ø3.5    |
|         | RS-78  | 7.8           |                 |         |
|         | RS-105 | 10.5          | ø5.0            | ø3.5    |
| RS-145  | 14.5   |               |                 |         |
| RS-1A   | RS-160 | 16.0          |                 |         |
| RS-180  | 18.4   |               |                 |         |
| RS-1C   | RS-215 | 21.5          | ø5.0            | ø3.5    |
|         | RS-280 | 28.2          | ø5.0            | ø3.5    |



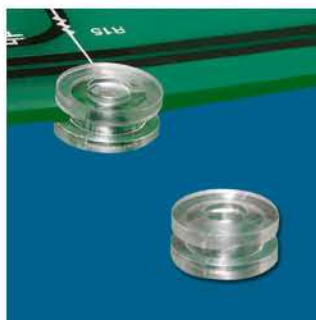
P.C. 板間隔柱 SPACER SUPPORT 3-148-2

- MATERIAL: ABS
- FLAME CLASS: 94HB
- COLOR: NATURAL
- USE M4 SCREW
- P.C.B MAX THICKNESS: 2.0mm



| PART NO | L     | HOLE IN P.C.B | HOLE IN CHASSIS | PACKAGE |
|---------|-------|---------------|-----------------|---------|
| RL-1    | RL-6S | 5.7           | ø7.2            | ø4.5    |
|         | RL-10 | 10.0          |                 |         |
|         | RL-15 | 15.2          | ø7.2            | ø4.5    |
|         | RL-20 | 20.2          |                 |         |
|         | RL-25 | 25.2          |                 |         |



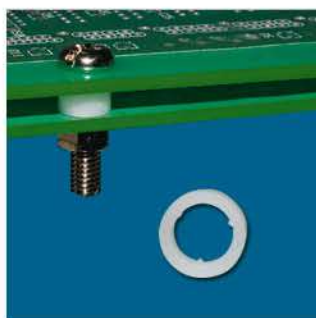
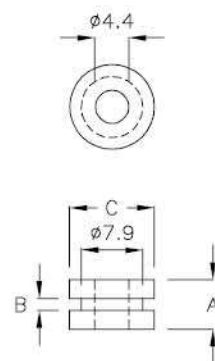


## 圓體間隔柱 SPACER SUPPORT

3-149-1

- MATERIAL: PC(UL)
- FLAME CLASS: 94V-2
- COLOR: CLEAR

| PART NO | A   | B   | C     | PACKAGE |
|---------|-----|-----|-------|---------|
| RS-2    | 5.0 | 1.6 | ∅11.0 | 500     |

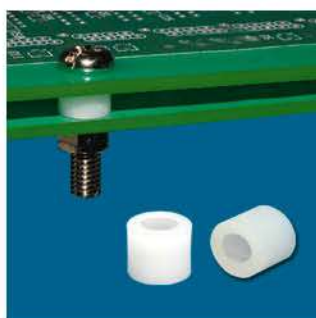
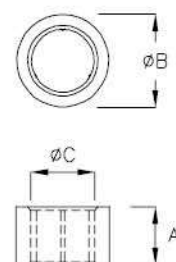


## 圓體間隔柱 SPACER SUPPORT

3-149-2

- MATERIAL: NYLON 66(UL)
- FLAME CLASS: 94V-2
- COLOR: NATURAL

| PART NO | A   | B   | C    | PACKAGE |
|---------|-----|-----|------|---------|
| 505-3L  | 5.0 | 8.0 | 5.45 | 2000    |

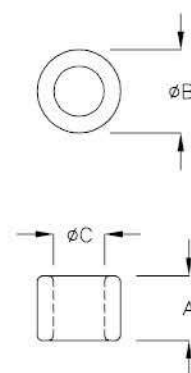


## 圓體間隔柱 SPACER SUPPORT

3-149-3

- MATERIAL: NYLON 66(UL)
- FLAME CLASS: 94V-2
- COLOR: NATURAL

| PART NO | A    | B    | C   | PACKAGE |
|---------|------|------|-----|---------|
| 403QP   | 3.8  | 5.8  | 4.3 | 2000    |
| 6310A   | 10.8 | 12.4 | 6.3 | 1000    |

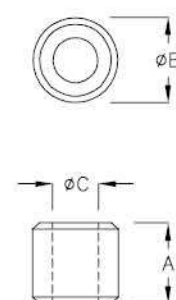


## 圓體間隔柱 SPACER SUPPORT

3-149-4

- MATERIAL: NYLON 66(UL)
- FLAME CLASS: 94V-2
- COLOR: NATURAL

| PART NO | A   | B   | C    | PACKAGE |
|---------|-----|-----|------|---------|
| 509A    | 9.0 | 9.5 | 5.1  | 1000    |
| 304K    | 4.0 | 5.0 | 3.15 | 2000    |

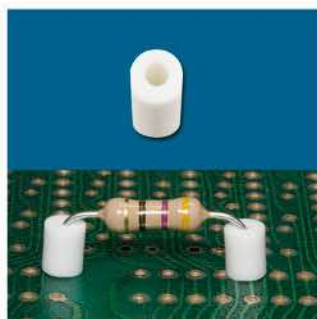
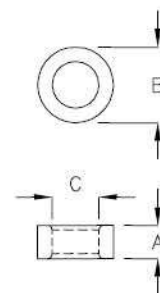




**圓體間隔柱 SPACER SUPPORT 3-150-1**

- MATERIAL: NYLON 66(UL)
- FLAME CLASS: 94V-2
- COLOR: NATURAL, BLACK

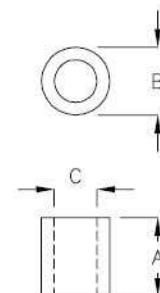
| PART NO | A   | B    | C    | PACKAGE |
|---------|-----|------|------|---------|
| 403C    | 3.5 | ø8.0 | ø4.9 | 2000    |



**零件墊片 COMPONENT PAD 3-150-2**

- MATERIAL: CERAMICS
- COLOR: NATURAL

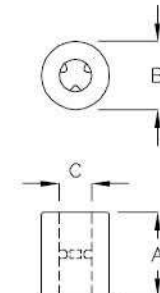
| PART NO | A    | B    | C    | PACKAGE |
|---------|------|------|------|---------|
| 103C    | 3.0  | ø4.5 | ø1.8 | 2000    |
| 103DC   | 3.1  | ø2.5 | ø1.1 |         |
| 104C    | 4.5  | ø4.5 | ø1.8 |         |
| 104MC   | 4.5  | ø3.6 | ø1.2 |         |
| 109C    | 9.0  | ø4.5 | ø1.8 |         |
| 109DC   | 9.0  | ø3.8 | ø1.0 |         |
| 115MC   | 15.4 | ø4.1 | ø1.9 |         |

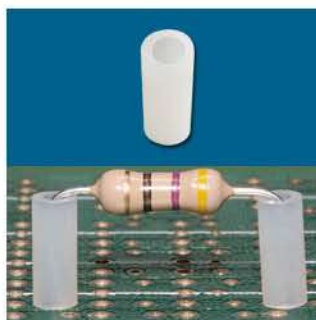


**零件墊片 COMPONENT PAD 3-150-3**

- MATERIAL: NYLON 66(UL)
- FLAME CLASS: 94V-2
- COLOR: NATURAL

| PART NO   | A   | B    | C    | PACKAGE |
|-----------|-----|------|------|---------|
| KWT-103   | 3.1 | ø2.5 | ø1.0 | 2000    |
| KWT-103GH | 3.1 | ø2.5 | ø1.2 |         |

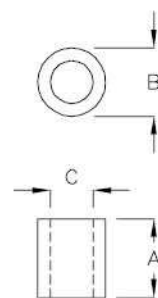




## 零件墊片 COMPONENT PAD

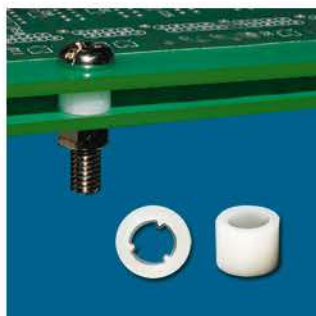
3-151-1

- MATERIAL: NYLON 66(UL)
- FLAME CLASS: 94V-2
- MATERIAL: PBT(UL), ABS(UL)
- FLAME CLASS: 94V-0
- COLOR: NATURAL



| PART NO | MATERIAL | A   | B    | C    | PACKAGE |
|---------|----------|-----|------|------|---------|
| 101A    | N66      | 1.1 | ∅3.0 | ∅1.7 | 2000    |
| 101CR   | N66      | 1.6 | ∅2.2 | ∅0.7 |         |
| 101DC   | N66      | 1.6 | ∅3.2 | ∅0.8 |         |
| 101MT   | N66      | 1.6 | ∅3.2 | ∅1.2 |         |
| 102F    | N66      | 2.0 | ∅3.0 | ∅1.5 |         |
| 102JK   | N66      | 2.4 | ∅3.5 | ∅1.8 |         |
| 102-H   | PBT      | 2.5 | ∅3.2 | ∅1.5 |         |
| 103AF   | N66      | 3.0 | ∅2.5 | ∅1.5 |         |
| 103S    | N66/PBT  | 3.0 | ∅3.5 | ∅1.4 |         |
| 103K    | ABS      | 3.1 | ∅2.2 | ∅0.8 |         |
| 103MR   | N66      | 3.2 | ∅2.2 | ∅0.8 |         |
| 103TD   | N66      | 3.2 | ∅3.2 | ∅1.2 |         |
| 103M    | N66      | 3.5 | ∅4.5 | ∅1.6 |         |
| 103     | N66      | 3.6 | ∅3.5 | ∅1.4 |         |
| 104     | N66      | 4.2 | ∅4.5 | ∅1.4 |         |
| 104M    | N66      | 4.5 | ∅4.5 | ∅1.6 |         |

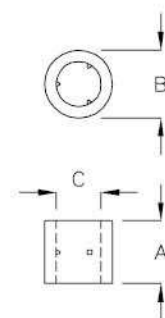
| PART NO | MATERIAL | A    | B    | C    | PACKAGE |
|---------|----------|------|------|------|---------|
| 104AD   | N66      | 4.8  | ∅2.2 | ∅0.8 | 2000    |
| 104CF   | N66      | 4.8  | ∅3.2 | ∅1.2 |         |
| 104A    | N66+FRP  | 5.0  | ∅4.0 | ∅1.4 |         |
| 105A    | N66      | 5.0  | ∅3.0 | ∅1.4 |         |
| 105     | N66      | 5.0  | ∅4.5 | ∅1.6 |         |
| 105M    | N66      | 5.5  | ∅4.5 | ∅1.6 |         |
| 106     | N66/PBT  | 6.0  | ∅4.4 | ∅1.6 |         |
| 106GK   | N66      | 6.4  | ∅3.2 | ∅1.2 |         |
| 106HJ   | N66      | 6.4  | ∅4.0 | ∅1.2 |         |
| 107     | N66/PBT  | 7.0  | ∅4.4 | ∅1.6 |         |
| 108BH   | N66      | 7.9  | ∅3.2 | ∅1.2 |         |
| 108GL   | N66      | 7.9  | ∅4.0 | ∅1.2 |         |
| 108A    | N66      | 8.0  | ∅3.2 | ∅1.6 |         |
| 108     | N66      | 8.0  | ∅4.5 | ∅1.4 |         |
| 109CM   | N66      | 9.5  | ∅3.2 | ∅1.2 |         |
| 112NP   | N66      | 12.7 | ∅3.2 | ∅1.2 |         |



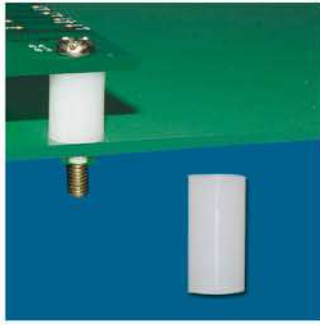
## 圓體間隔柱 SPACER SUPPORT

3-151-2

- MATERIAL: NYLON 66(UL)
- FLAME CLASS: 94V-2
- COLOR: NATURAL



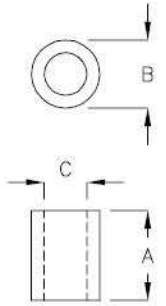
| PART NO | A    | B    | C    | USE SCREW | PACKAGE |
|---------|------|------|------|-----------|---------|
| KWT-302 | 2.0  | ∅5.0 | ∅3.3 | M3        | 2000    |
| KWT-305 | 5.0  | ∅5.0 | ∅3.3 |           |         |
| KWT-306 | 6.0  | ∅5.0 | ∅3.3 |           |         |
| KWT-308 | 8.0  | ∅5.0 | ∅3.3 |           |         |
| KWT-310 | 10.0 | ∅5.0 | ∅3.3 |           |         |
| KWT-311 | 11.0 | ∅5.0 | ∅3.3 |           |         |
| KWT-405 | 5.0  | ∅6.5 | ∅4.3 | M4        |         |
| KWT-406 | 6.0  | ∅6.5 | ∅4.3 |           |         |
| KWT-408 | 8.0  | ∅6.5 | ∅4.3 |           |         |
| KWT-410 | 10.0 | ∅6.5 | ∅4.3 |           |         |
| KWT-412 | 12.0 | ∅6.5 | ∅4.3 |           |         |
| KWT-414 | 14.0 | ∅6.5 | ∅4.3 |           |         |
| KWT-416 | 16.0 | ∅6.5 | ∅4.3 |           |         |



圓體間隔柱 SPACER SUPPORT

3-152-1

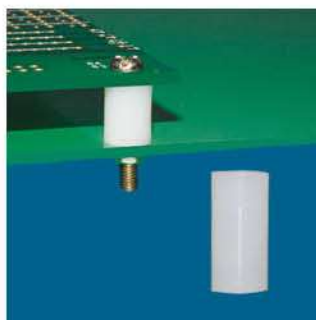
- MATERIAL: NYLON 66(UL)
- FLAME CLASS: 94V-2
- COLOR: NATURAL



| PART NO | A   | B    | C    | PACKAGE |
|---------|-----|------|------|---------|
| 201     | 1.0 | ø3.7 | ø2.2 | 2000    |
| 201A    | 1.5 | ø3.7 | ø2.2 |         |
| 201KG   | 1.6 | ø2.2 | ø0.8 |         |
| 201JM   | 1.6 | ø3.6 | ø2.2 |         |
| 201FN   | 1.6 | ø4.2 | ø2.7 |         |
| 201C    | 1.8 | ø3.7 | ø2.2 |         |
| 201D    | 1.9 | ø3.0 | ø2.0 |         |
| 202     | 2.0 | ø4.5 | ø2.5 |         |
| 202C    | 2.0 | ø3.7 | ø2.2 |         |
| 202F    | 2.6 | ø4.6 | ø2.7 |         |
| 202A    | 2.5 | ø3.7 | ø2.2 |         |
| 203     | 3.0 | ø4.5 | ø2.5 |         |
| 203A    | 3.0 | ø3.5 | ø2.2 |         |
| 203C    | 3.0 | ø3.7 | ø2.2 |         |
| 203EG   | 3.2 | ø3.2 | ø2.3 |         |
| 203KJ   | 3.2 | ø3.6 | ø2.2 |         |
| 203BU   | 3.2 | ø4.2 | ø2.7 |         |
| 203M    | 3.5 | ø4.5 | ø2.5 |         |
| 203D    | 3.7 | ø4.5 | ø2.5 |         |
| 204     | 4.0 | ø4.5 | ø2.5 |         |
| 204KT   | 4.0 | ø4.7 | ø2.7 |         |
| 204A    | 4.1 | ø3.6 | ø2.2 |         |
| 204M    | 4.5 | ø4.5 | ø2.5 |         |
| 204FP   | 4.8 | ø3.2 | ø2.3 |         |
| 204GN   | 4.8 | ø3.6 | ø2.2 |         |
| 204NJ   | 4.8 | ø4.2 | ø2.7 |         |
| 205     | 5.0 | ø4.5 | ø2.5 |         |
| 205C    | 5.5 | ø4.5 | ø2.5 |         |
| 206     | 6.0 | ø4.5 | ø2.5 |         |
| 206BQ   | 6.4 | ø3.2 | ø2.3 |         |
| 206AP   | 6.4 | ø3.6 | ø2.2 |         |
| 206DN   | 6.4 | ø4.2 | ø2.7 |         |
| 206CH   | 6.4 | ø4.8 | ø2.3 |         |
| 206M    | 6.5 | ø4.5 | ø2.5 |         |
| 206F    | 6.6 | ø4.8 | ø2.8 |         |
| 207     | 7.0 | ø4.8 | ø2.3 |         |
| 207A    | 7.0 | ø3.7 | ø2.2 |         |
| 207C    | 7.5 | ø3.7 | ø2.3 |         |

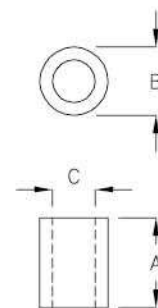
| PART NO | A    | B    | C    | PACKAGE |      |
|---------|------|------|------|---------|------|
| 208FJ   | 7.9  | ø3.6 | ø2.2 | 2000    |      |
| 208     | 8.0  | ø4.5 | ø2.5 |         |      |
| 208C    | 8.5  | ø4.5 | ø2.5 |         |      |
| 209     | 9.0  | ø4.5 | ø2.5 |         |      |
| 209AQ   | 9.5  | ø3.6 | ø2.2 |         |      |
| 209C    | 9.5  | ø4.5 | ø2.5 |         |      |
| 210     | 10.0 | ø4.5 | ø2.5 |         |      |
| 211     | 11.0 | ø3.7 | ø2.2 |         |      |
| 301PW   | 1.5  | ø5.0 | ø3.1 |         | 2000 |
| 301NL   | 1.6  | ø4.8 | ø3.2 |         |      |
| 301BR   | 1.6  | ø6.4 | ø3.2 |         |      |
| 301GS   | 1.6  | ø6.4 | ø3.7 |         |      |
| 302A    | 2.0  | ø6.0 | ø3.0 |         |      |
| 302C    | 2.0  | ø6.5 | ø3.1 |         |      |
| 302B    | 2.5  | ø5.0 | ø3.1 |         |      |
| 302DK   | 2.0  | ø8.0 | ø3.5 |         |      |
| 302JY   | 2.5  | ø8.0 | ø3.2 |         |      |
| 303     | 3.3  | ø5.0 | ø3.1 |         |      |
| 303A    | 3.0  | ø6.0 | ø3.1 |         |      |
| 303C    | 3.5  | ø5.7 | ø3.1 |         |      |
| 303D    | 3.0  | ø5.0 | ø3.1 |         |      |
| 303F    | 2.6  | ø8.0 | ø3.5 |         |      |
| 303H    | 3.0  | ø6.3 | ø3.2 |         |      |
| 303Q    | 2.8  | ø6.3 | ø3.2 |         |      |
| 303DQ   | 3.2  | ø4.8 | ø3.2 |         |      |
| 303HP   | 3.2  | ø6.4 | ø3.2 |         |      |
| 303YF   | 3.2  | ø6.4 | ø3.7 |         |      |
| 303RP   | 3.8  | ø5.2 | ø3.7 | 2000    |      |
| 303S    | 3.5  | ø4.0 | ø3.0 |         |      |
| 304A    | 4.0  | ø5.0 | ø3.2 |         |      |
| 304     | 4.2  | ø5.0 | ø3.1 |         |      |
| 304C    | 4.5  | ø6.0 | ø3.2 |         |      |
| 304PR   | 4.8  | ø4.8 | ø3.2 |         |      |
| 304HX   | 4.8  | ø6.4 | ø3.2 |         |      |
| 304JS   | 4.8  | ø6.4 | ø3.7 |         |      |
| 305     | 5.0  | ø5.0 | ø3.1 |         |      |
| 305A    | 5.0  | ø8.0 | ø3.1 |         |      |
| 305C    | 5.5  | ø5.0 | ø3.0 |         |      |
| 305DM   | 5.9  | ø5.7 | ø3.7 |         |      |

| PART NO | A    | B    | C    | PACKAGE |     |
|---------|------|------|------|---------|-----|
| 306     | 6.1  | ø5.0 | ø3.1 | 2000    |     |
| 306A    | 6.3  | ø6.5 | ø3.9 |         |     |
| 306XF   | 6.4  | ø4.8 | ø3.2 |         |     |
| 306KY   | 6.4  | ø6.4 | ø3.2 |         |     |
| 306QS   | 6.4  | ø6.4 | ø3.7 |         |     |
| 306M    | 6.5  | ø5.0 | ø3.1 |         |     |
| 306SK   | 6.0  | ø8.0 | ø3.3 |         |     |
| 307     | 7.0  | ø5.0 | ø3.1 |         |     |
| 307A    | 7.5  | ø5.0 | ø3.1 |         |     |
| 307B    | 7.5  | ø3.9 | ø3.1 |         |     |
| 308CW   | 7.9  | ø6.4 | ø3.2 |         |     |
| 308FR   | 7.9  | ø6.4 | ø3.7 |         |     |
| 308LT   | 7.9  | ø4.8 | ø3.2 |         |     |
| 308     | 8.1  | ø5.0 | ø3.1 |         |     |
| 308C    | 8.4  | ø6.5 | ø3.9 |         |     |
| 308M    | 8.5  | ø5.0 | ø3.1 |         |     |
| 308A    | 8.7  | ø5.0 | ø3.1 |         |     |
| 309A    | 9.0  | ø5.0 | ø3.1 |         |     |
| 309     | 9.2  | ø5.0 | ø3.1 |         |     |
| 309MS   | 9.5  | ø4.8 | ø3.2 |         |     |
| 309PT   | 9.5  | ø6.4 | ø3.7 |         |     |
| 309C    | 9.6  | ø7.5 | ø3.5 |         |     |
| 310     | 10.1 | ø5.0 | ø3.1 | 1000    |     |
| 311     | 11.0 | ø5.0 | ø3.1 |         |     |
| 311MH   | 11.1 | ø4.8 | ø3.2 |         |     |
| 311BN   | 11.1 | ø6.4 | ø3.2 |         |     |
| 312A    | 12.0 | ø5.0 | ø3.2 |         |     |
| 312     | 12.3 | ø5.0 | ø3.1 |         |     |
| 313     | 13.0 | ø5.0 | ø3.1 |         |     |
| 314     | 14.0 | ø5.0 | ø3.1 |         |     |
| 315     | 15.0 | ø5.0 | ø3.1 |         |     |
| 316     | 16.0 | ø5.0 | ø3.1 |         |     |
| 317     | 17.0 | ø5.0 | ø3.1 |         |     |
| 318     | 18.3 | ø5.0 | ø3.1 |         |     |
| 319     | 19.0 | ø5.0 | ø3.1 |         |     |
| 320     | 20.0 | ø5.0 | ø3.1 |         |     |
| 324     | 24.0 | ø5.0 | ø3.1 |         |     |
| 331     | 31.0 | ø5.0 | ø3.1 |         | 500 |
| 338     | 38.0 | ø5.9 | ø3.1 |         |     |



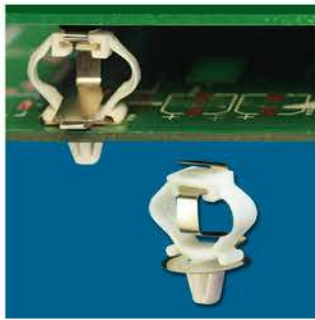
## 圓體間隔柱 SPACER SUPPORT 3-153-1

- MATERIAL: NYLON 66(UL)
- FLAME CLASS: 94V-2
- COLOR: NATURAL



| PART NO | A     | B     | C     | PACKAGE |
|---------|-------|-------|-------|---------|
| 401AF   | 1.6   | ø6.4  | ø4.3  | 2000    |
| 402     | 2.0   | ø6.5  | ø4.0  |         |
| 402A    | 2.5   | ø6.5  | ø4.0  |         |
| 402TK   | 2.5   | ø8.0  | ø4.0  |         |
| 403     | 3.0   | ø6.5  | ø4.0  |         |
| 403DG   | 3.2   | ø6.4  | ø4.3  |         |
| 403A    | 3.5   | ø5.9  | ø4.6  |         |
| 403RL   | 3.5   | ø8.0  | ø4.5  |         |
| 404C    | 4.0   | ø6.5  | ø3.5  |         |
| 404     | 4.0   | ø6.5  | ø4.0  |         |
| 405A    | 4.5   | ø10.7 | ø4.3  | 1000    |
| 405MQ   | 4.8   | ø6.4  | ø4.3  | 2000    |
| 405     | 5.2   | ø6.5  | ø3.9  |         |
| 406     | 6.0   | ø6.5  | ø4.1  |         |
| 406B    | 6.1   | ø6.5  | ø4.4  |         |
| 406SR   | 6.4   | ø6.4  | ø4.3  |         |
| 406A    | 6.4   | ø6.5  | ø4.1  |         |
| 406D    | 6.4   | ø10.0 | ø4.5  |         |
| 407     | 7.2   | ø6.5  | ø4.0  |         |
| 407C    | 7.5   | ø6.5  | ø4.1  |         |
| 408QF   | 7.9   | ø6.4  | ø4.3  |         |
| 408L    | 8.0   | ø7.4  | ø4.5  |         |
| 408     | 8.1   | ø6.5  | ø4.0  |         |
| 408H    | 8.5   | ø6.5  | ø4.1  |         |
| 409     | 9.1   | ø6.5  | ø3.9  |         |
| 409C    | 9.5   | ø6.5  | ø4.1  |         |
| 410     | 10.0  | ø6.5  | ø4.1  | 1000    |
| 411     | 11.0  | ø6.5  | ø4.1  |         |
| 411TP   | 11.1  | ø6.4  | ø4.3  |         |
| 412     | 12.0  | ø6.3  | ø4.2  |         |
| 413     | 13.0  | ø6.5  | ø4.1  |         |
| 414     | 14.0  | ø8.0  | ø4.2  |         |
| 415     | 15.0  | ø6.5  | ø4.1  |         |
| 416A    | 16.8  | ø6.3  | ø4.2  |         |
| 417     | 17.1  | ø6.3  | ø4.2  |         |
| 420     | 20.0  | ø8.0  | ø4.2  |         |
| 421     | 21.0  | ø8.0  | ø4.0  |         |
| 422A    | 22.23 | ø8.0  | ø4.93 | 500     |
| 425A    | 25.4  | ø6.3  | ø4.3  |         |

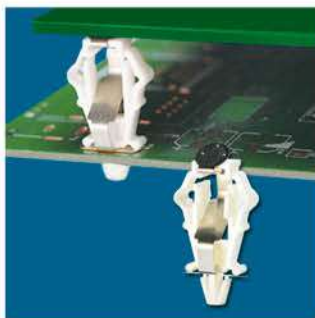
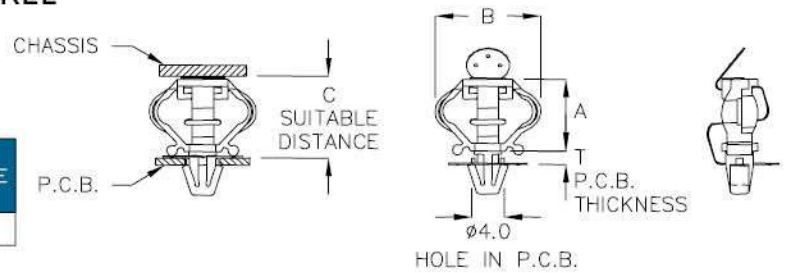
| PART NO | A    | B     | C     | PACKAGE |      |
|---------|------|-------|-------|---------|------|
| 427A    | 27.5 | ø6.5  | ø4.1  | 500     |      |
| 428     | 28.0 | ø6.5  | ø4.1  |         |      |
| 428A    | 28.7 | ø6.5  | ø4.1  |         |      |
| 433A    | 33.5 | ø8.0  | ø4.3  |         |      |
| 503     | 3.0  | ø7.0  | ø5.0  | 2000    |      |
| 503A    | 3.2  | ø9.5  | ø4.9  |         |      |
| 505     | 5.0  | ø8.0  | ø5.3  |         |      |
| 506     | 6.0  | ø7.0  | ø5.3  |         |      |
| 507     | 7.0  | ø7.95 | ø4.95 | 1000    |      |
| 508     | 7.9  | ø7.0  | ø5.4  |         |      |
| 508A    | 8.0  | ø10.0 | ø5.6  |         |      |
| 509     | 9.0  | ø7.0  | ø5.3  |         |      |
| 510A    | 9.35 | ø10.0 | ø5.4  |         |      |
| 509M    | 9.6  | ø8.0  | ø5.0  |         |      |
| 510     | 10.0 | ø7.0  | ø5.3  |         |      |
| 516     | 16.0 | ø7.0  | ø5.3  |         |      |
| 525     | 25.0 | ø8.0  | ø5.1  |         | 500  |
| 527A    | 27.5 | ø7.0  | ø5.5  |         |      |
| 530     | 30.0 | ø8.0  | ø5.1  |         |      |
| 612     | 12.6 | ø6.5  | ø3.8  | 1000    |      |
| 614     | 14.2 | ø6.5  | ø3.7  |         |      |
| 617     | 17.0 | ø10.0 | ø6.2  |         |      |
| 6305    | 5.0  | ø8.5  | ø6.3  |         |      |
| 6305A   | 5.5  | ø7.3  | ø6.3  |         |      |
| 6305PH  | 5.0  | ø11.0 | ø6.3  |         |      |
| 6315CX  | 15.0 | ø11.0 | ø6.3  |         |      |
| 7732FC  | 32.0 | ø11.3 | ø7.7  |         | 200  |
| 8305RT  | 5.0  | ø13.0 | ø8.3  |         | 1000 |
| 8315DK  | 15.0 | ø13.0 | ø8.3  |         |      |
| 8507    | 6.9  | ø10.5 | ø8.5  | 1000    |      |
| 9634C   | 33.3 | ø18.7 | ø9.3  |         | 200  |
| 51-080  | 8.0  | ø8.0  | ø5.1  |         |      |
| 57-065  | 6.5  | ø13.0 | ø5.7  |         |      |
| 64-072  | 7.2  | ø7.65 | ø6.4  |         |      |
| 65-100  | 10.0 | ø10.0 | ø6.5  |         |      |
| 70-080  | 8.0  | ø10.0 | ø7.0  |         |      |
| 70-110  | 11.0 | ø10.0 | ø7.0  |         |      |
| 75-130  | 13.0 | ø10.5 | ø7.5  |         |      |
| 82-080  | 8.0  | ø10.6 | ø8.2  |         |      |



### 導電板間隔柱 CONDUCTIVE SUPPORT — 3-154-1

- MATERIAL: NYLON 66(UL)
- FLAME CLASS: 94V-2
- COLOR: NATURAL
- MATERIAL: PHOSPHOR BRONZE
- PLATING: NICKEL

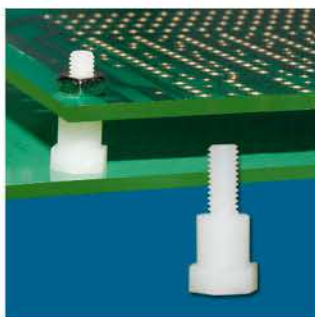
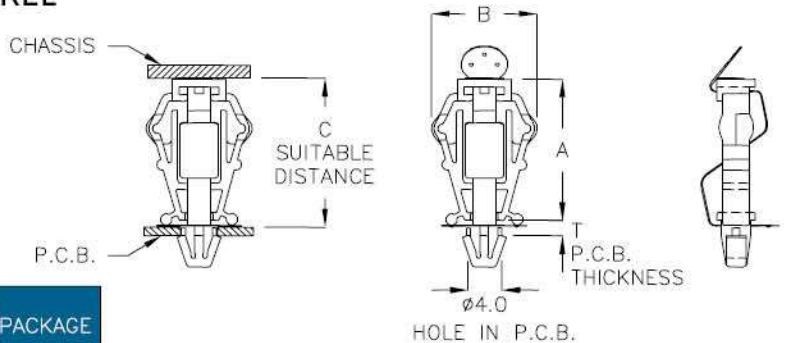
| PART NO | A    | B    | T<br>P.C.B.<br>THICKNESS | C<br>SUITABLE<br>DISTANCE | PACKAGE |
|---------|------|------|--------------------------|---------------------------|---------|
| CQA-10  | 10.0 | 14.8 | 1.2~1.6                  | 7.0~9.0                   | 1000    |



### 導電板間隔柱 CONDUCTIVE SUPPORT — 3-154-2

- MATERIAL: NYLON 66(UL)
- FLAME CLASS: 94V-2
- COLOR: NATURAL
- MATERIAL: PHOSPHOR BRONZE
- PLATING: NICKEL

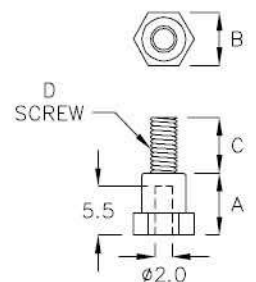
| PART NO  | A     | B    | T<br>P.C.B.<br>THICKNESS | C<br>SUITABLE<br>DISTANCE | PACKAGE |
|----------|-------|------|--------------------------|---------------------------|---------|
| CQA-14DS | 14.5  | 13.7 | 1.2~1.4                  | 13.0~14.3                 | 1000    |
| CQA-18K  | 18.25 | 13.7 | 1.2~1.4                  | 18.0~18.3                 |         |

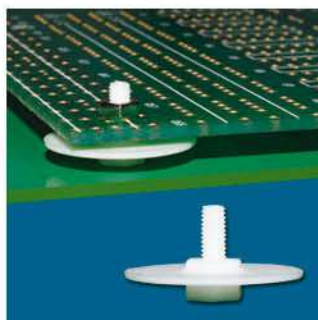


### P.C. 板間隔柱 SPACER SUPPORT — 3-154-3

- MATERIAL: NYLON 66(UL)
- FLAME CLASS: 94V-2
- COLOR: NATURAL
- USE M2.5 TAPPING SCREW

| PART NO | A   | B   | C   | D<br>SCREW | PACKAGE |
|---------|-----|-----|-----|------------|---------|
| SQ-10A  | 7.0 | 6.0 | 6.3 | M3         | 1000    |

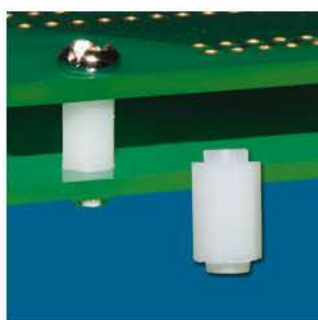
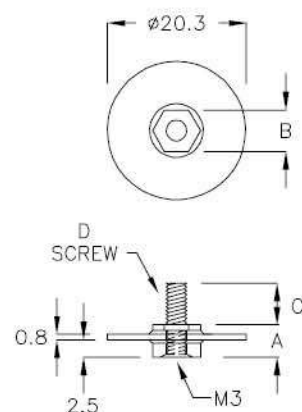




### P.C. 板間隔柱 SPACER SUPPORT | 3-155-1 |

- MATERIAL: NYLON 66(UL)
- FLAME CLASS: 94V-2
- COLOR: NATURAL

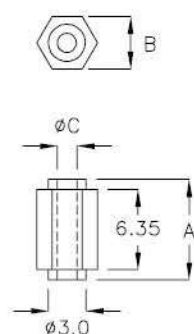
| PART NO | A   | B   | C   | D  | PACKAGE |
|---------|-----|-----|-----|----|---------|
| TAH-05  | 4.7 | 6.0 | 6.0 | M3 | 500     |



### 六角型間隔柱 SPACER SUPPORT | 3-155-2 |

- MATERIAL: NYLON 66(UL)
- FLAME CLASS: 94V-2
- COLOR: NATURAL
- USE M2 TAPPING SCREW

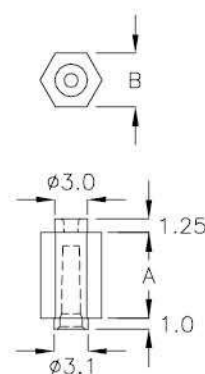
| PART NO | A    | B    | C    | PACKAGE |
|---------|------|------|------|---------|
| HHB-06D | 7.95 | 4.15 | ∅1.6 | 1000    |



### 六角型間隔柱 SPACER SUPPORT | 3-155-3 |

- MATERIAL: NYLON 66(UL)
- FLAME CLASS: 94V-2
- COLOR: NATURAL
- USE M2x5.5 SCREW

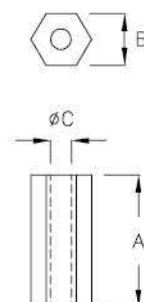
| PART NO | A    | B   | PACKAGE |
|---------|------|-----|---------|
| HHJ-8KC | 7.95 | 5.0 | 1000    |

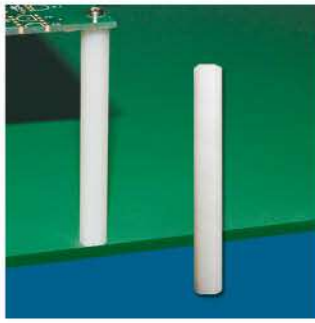


### 六角型間隔柱 SPACER SUPPORT | 3-155-4 |

- MATERIAL: NYLON 66(UL)
- FLAME CLASS: 94V-2
- COLOR: NATURAL
- USE M3 TAPPING SCREW

| PART NO | A    | B   | C    | PACKAGE |
|---------|------|-----|------|---------|
| HWH-04  | 4.0  | 5.5 | 2.5  | 1000    |
| HWH-10  | 10.0 | 4.5 | 2.45 |         |

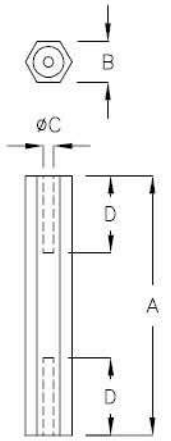




六角型間隔柱 SPACER SUPPORT 3-156-1

- MATERIAL: NYLON 66(UL)
- FLAME CLASS: 94V-2
- COLOR: NATURAL
- USE M3 TAPPING SCREW

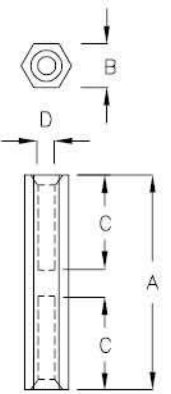
| PART NO | A     | B   | C   | D    | PACKAGE |
|---------|-------|-----|-----|------|---------|
| H-57    | 57.8  | 5.9 | 2.5 | 10.0 | 200     |
| H-65    | 65.5  | 5.6 | 2.6 | 14.9 |         |
| H-105   | 105   | 9.9 | 2.6 | 14.6 | 100     |
| H-140   | 139.5 | 9.9 | 2.6 | 14.6 |         |



六角型間隔柱 SPACER SUPPORT 3-156-2

- MATERIAL: NYLON 66(UL)
- FLAME CLASS: 94V-2
- COLOR: NATURAL
- USE M3 TAPPING SCREW

| PART NO | A    | B   | C    | D    | PACKAGE |
|---------|------|-----|------|------|---------|
| H-32    | 32.0 | 5.5 | 14.0 | ø2.6 | 500     |
| H-49    | 49.0 | 5.5 | 15.0 |      | 200     |

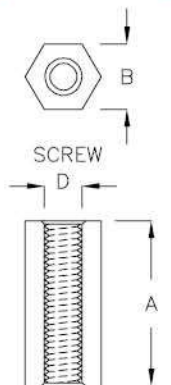


六角型間隔柱 SPACER SUPPORT 3-156-3

- MATERIAL: NYLON 66(UL)
- FLAME CLASS: 94V-2
- COLOR: NATURAL
- OPTIONAL MATERIAL: POM (94HB FLAMMABILITY)

| PART NO | A    | B   | D    | PACKAGE |
|---------|------|-----|------|---------|
| H2M-6   | 6.0  | 4.9 | M2.6 | 1000    |
| H-5KC   | 5.0  | 5.4 | M3   | 2000    |
| H-6S    | 6.0  | 5.5 | M3   | 1000    |
| H-6     | 6.45 | 5.5 |      |         |
| H-7     | 7.0  | 5.5 |      |         |
| H-8     | 8.0  | 5.5 |      |         |
| H-9     | 9.1  | 5.5 |      |         |
| H-10S   | 10.0 | 5.5 |      |         |
| H-10    | 10.6 | 5.5 |      |         |
| H-11    | 11.2 | 5.5 |      |         |
| H-12    | 12.2 | 5.5 |      |         |
| H-13    | 12.8 | 5.5 |      |         |
| H-14    | 14.2 | 5.5 |      |         |

| PART NO | A    | B   | D  | PACKAGE |
|---------|------|-----|----|---------|
| H-15    | 15.0 | 5.5 | M3 | 1000    |
| H-16    | 16.0 | 5.5 |    |         |
| H-17    | 17.1 | 5.5 |    |         |
| H-18    | 18.2 | 5.5 |    |         |
| H-20    | 20.0 | 5.5 |    |         |
| H-22    | 22.3 | 5.5 |    |         |
| H-24    | 24.0 | 5.5 | M3 | 500     |
| H-25    | 25.1 | 5.5 |    |         |
| H-26    | 26.0 | 5.5 |    |         |
| H-28    | 27.8 | 5.5 |    |         |
| H-30    | 30.0 | 5.5 |    |         |
| H4-36   | 36.0 | 8.0 | M4 |         |

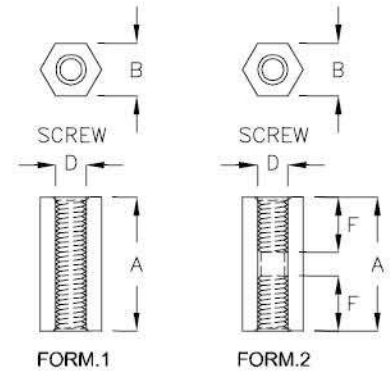






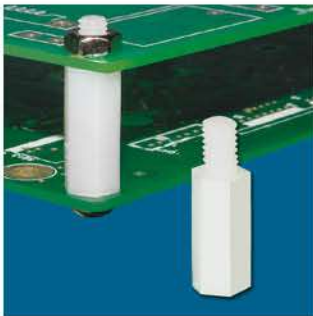
### 六角型間隔柱 SPACER SUPPORT ———— 3-157-1

- MATERIAL: NYLON 66(UL)
- FLAME CLASS: 94V-2
- COLOR: NATURAL



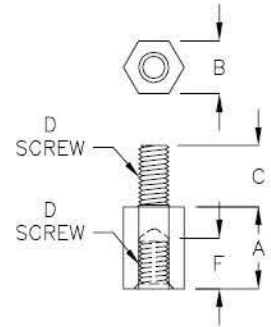
| PART NO  | A     | B    | D     | F   | FORM | PACKAGE |
|----------|-------|------|-------|-----|------|---------|
| HU4-406A | 6.35  | 4.75 | #4-40 |     | 1    | 1000    |
| HU4-409A | 9.53  | 4.75 | #4-40 |     | 1    |         |
| HU4-412A | 12.7  | 4.75 | #4-40 |     | 1    |         |
| HU4-415A | 15.9  | 4.75 | #4-40 | 6.0 | 2    |         |
| HU4-419A | 19.05 | 4.75 | #4-40 | 8.0 | 2    |         |
| HU4-606C | 6.35  | 6.35 | #4-40 |     | 1    |         |
| HU4-609C | 9.53  | 6.35 | #4-40 |     | 1    |         |
| HU4-611C | 11.1  | 6.35 | #4-40 |     | 1    |         |
| HU4-612C | 12.7  | 6.35 | #4-40 |     | 1    |         |
| HU4-615C | 15.9  | 6.35 | #4-40 | 6.0 | 2    |         |
| HU4-619C | 19.05 | 6.35 | #4-40 | 8.0 | 2    |         |
| HU4-625C | 25.4  | 6.35 | #4-40 | 8.0 | 2    |         |

| PART NO  | A     | B    | D     | F   | FORM | PACKAGE |
|----------|-------|------|-------|-----|------|---------|
| HU6-406D | 6.35  | 4.75 | #6-32 |     | 1    | 1000    |
| HU6-409D | 9.53  | 4.75 | #6-32 |     | 1    |         |
| HU6-412D | 12.7  | 4.75 | #6-32 |     | 1    |         |
| HU6-415D | 15.9  | 4.75 | #6-32 | 6.0 | 2    |         |
| HU6-419D | 19.05 | 4.75 | #6-32 | 8.0 | 2    |         |
| HU6-606H | 6.35  | 6.35 | #6-32 |     | 1    |         |
| HU6-609H | 9.53  | 6.35 | #6-32 |     | 1    |         |
| HU6-612H | 12.7  | 6.35 | #6-32 |     | 1    |         |
| HU6-615H | 15.9  | 6.35 | #6-32 | 6.0 | 2    |         |
| HU6-619H | 19.05 | 6.35 | #6-32 | 8.0 | 2    |         |
| HU6-625H | 25.4  | 6.35 | #6-32 | 8.0 | 2    |         |



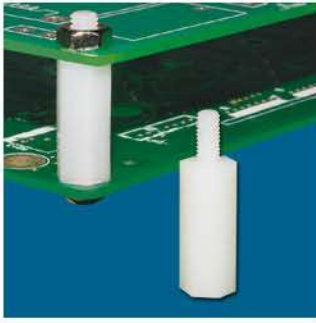
### 六角型間隔柱 SPACER SUPPORT ———— 3-157-2

- MATERIAL: NYLON 66(UL)
- FLAME CLASS: 94V-2
- COLOR: NATURAL



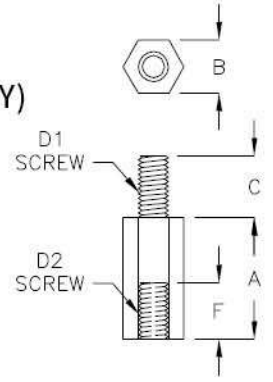
| PART NO   | A     | B   | C   | D     | F    | PACKAGE |
|-----------|-------|-----|-----|-------|------|---------|
| THU4-406C | 6.4   | 4.8 | 4.8 | #4-40 | 4.75 | 1000    |
| THU4-409C | 9.53  |     |     |       |      |         |
| THU4-412C | 12.7  |     |     |       |      |         |
| THU4-415C | 15.9  |     |     |       |      |         |
| THU4-419C | 19.05 | 4.8 | 4.8 | #4-40 | 4.75 | 500     |
| THU4-425C | 25.4  |     |     |       |      |         |
| THU4-606A | 6.35  | 6.4 | 4.8 | #4-40 | 4.75 | 1000    |
| THU4-609A | 9.53  |     |     |       |      |         |
| THU4-612A | 12.7  |     |     |       |      |         |
| THU4-615A | 15.9  |     |     |       |      |         |
| THU4-619A | 19.05 | 6.4 | 4.8 | #4-40 | 4.75 | 500     |
| THU4-625A | 25.4  |     |     |       |      |         |

| PART NO   | A     | B   | C   | D     | F    | PACKAGE |
|-----------|-------|-----|-----|-------|------|---------|
| THU6-406H | 6.35  | 4.8 | 6.4 | #6-32 | 4.75 | 1000    |
| THU6-409H | 9.53  |     |     |       |      |         |
| THU6-412H | 12.7  |     |     |       |      |         |
| THU6-415H | 15.9  | 4.8 | 6.4 | #6-32 | 6.35 | 500     |
| THU6-419H | 19.05 |     |     |       |      |         |
| THU6-425H | 25.4  | 6.4 | 6.4 | #6-32 | 4.75 | 1000    |
| THU6-606D | 6.35  |     |     |       |      |         |
| THU6-609D | 9.5   |     |     |       |      |         |
| THU6-612D | 12.7  |     |     |       |      |         |
| THU6-615D | 15.9  | 6.4 | 6.4 | #6-32 | 6.35 | 500     |
| THU6-619D | 19.05 |     |     |       |      |         |
| THU6-625D | 25.4  |     |     |       |      |         |



### 六角型間隔柱 SPACER SUPPORT 3-158-1

- MATERIAL: NYLON 66(UL)
- FLAME CLASS: 94V-2
- COLOR: NATURAL
- D: SCREW
- OPTIONAL MATERIAL: POM (94HB FLAMMABILITY)



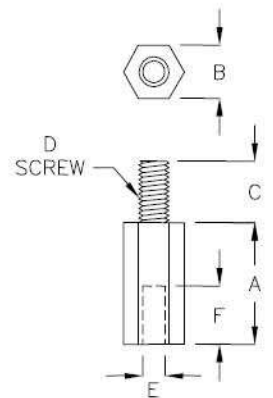
| PART NO | A    | B    | C   | D1 SCREW | D2 SCREW | F    | PACKAGE |
|---------|------|------|-----|----------|----------|------|---------|
| TH2F-6C | 6.0  | 5.0  | 8.0 | M3       | M2.5     | 5.0  | 1000    |
| TH2M-6  | 6.0  | 4.9  | 5.0 | M2.6     | M2.6     | 5.0  |         |
| TH-5    | 5.0  | 6.0  | 4.8 | M3       | M3       | 4.0  |         |
| TH-6    | 6.35 | 6.0  | 4.8 |          |          |      |         |
| TH-7    | 7.0  | 6.0  | 6.3 | M3       | M3       | 6.0  |         |
| TH-8    | 8.0  | 6.0  | 6.3 |          |          |      |         |
| TH-9    | 9.0  | 6.0  | 6.0 |          |          |      |         |
| TH-10   | 10.0 | 6.0  | 6.0 | M3       | M3       | 8.0  |         |
| TH-11   | 11.0 | 6.0  | 6.1 |          |          |      |         |
| TH-12   | 12.7 | 6.0  | 6.4 | M3       | M3       | 10.0 |         |
| TH-12A  | 12.0 | 4.7  | 6.4 |          |          |      |         |
| TH-14   | 14.0 | 6.0  | 6.0 |          |          |      |         |
| TH-14C  | 14.0 | 4.75 | 4.0 |          |          |      |         |
| TH-15   | 15.0 | 6.0  | 6.0 |          |          |      |         |
| TH-16   | 16.0 | 6.0  | 6.1 |          |          |      |         |

| PART NO  | A    | B    | C   | D1 SCREW | D2 SCREW | F    | PACKAGE |
|----------|------|------|-----|----------|----------|------|---------|
| TH-17.5  | 17.5 | 6.0  | 6.0 | M3       | M3       | 10.0 | 1000    |
| TH-17.5A | 17.5 | 4.75 | 6.0 |          |          |      |         |
| TH-18A   | 18.4 | 6.0  | 6.1 |          |          |      |         |
| TH-20    | 20.0 | 6.0  | 6.1 | M3       | M3       | 10.0 | 500     |
| TH-21    | 21.0 | 6.0  | 6.0 | M3       | M3       | 10.5 | 1000    |
| TH-22    | 22.0 | 6.0  | 6.4 | M3       | M3       | 10.0 | 500     |
| TH-25    | 25.2 | 6.0  | 6.5 |          |          |      |         |
| TH-30    | 30.0 | 6.0  | 6.5 | M3       | M3       | 10.5 | 1000    |
| TH4-10   | 10.1 | 6.1  | 6.1 | M4       | M3       | 8.0  |         |
| TH4-13   | 13.1 | 6.1  | 6.0 | M4       | M4       | 10.5 |         |
| TH4-15   | 15.0 | 6.0  | 6.0 | M4       | M4       | 10.0 |         |
| TH4-19   | 19.1 | 8.0  | 5.5 | M4       | M4       | 8.0  | 500     |
| TH4-25   | 25.1 | 6.1  | 6.5 | M4       | M4       | 10.3 |         |
| TH4-30   | 30.2 | 6.1  | 6.4 | M4       | M4       | 10.0 |         |
| TH4-37   | 37.0 | 8.0  | 5.5 | M4       | M4       | 8.0  | 200     |
| TH4-45   | 45.3 | 6.0  | 6.4 | M4       | M4       | 10.0 |         |

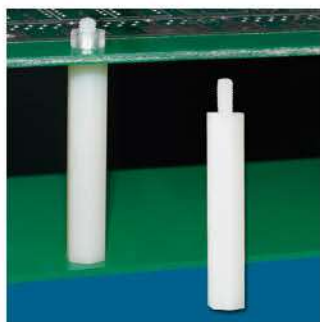


### 六角型間隔柱 SPACER SUPPORT 3-158-2

- MATERIAL: NYLON 66(UL)
- FLAME CLASS: 94V-2
- COLOR: NATURAL
- USE TAPPING SCREW



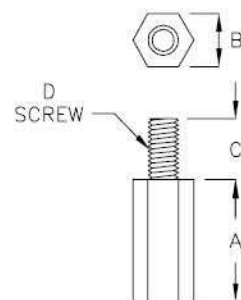
| PART NO | A    | B   | C   | D SCREW | E    | F    | USE TAPPING SCREW | PACKAGE |
|---------|------|-----|-----|---------|------|------|-------------------|---------|
| TH2-4   | 4.0  | 5.0 | 2.8 | M2      | ø1.6 | 2.8  | M2                | 2000    |
| TH-15A  | 15.0 | 5.0 | 5.0 | #6-32   | ø2.8 | 10.0 | #6-32             | 1000    |



### 六角型間隔柱 SPACER SUPPORT | 3-159-1 |

- MATERIAL: NYLON 66(UL)
- FLAME CLASS: 94V-2
- COLOR: NATURAL

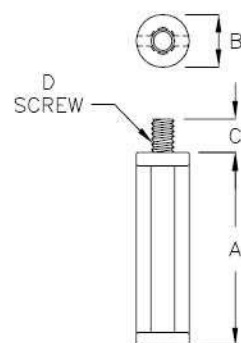
| PART NO | A    | B   | C   | D<br>SCREW | PACKAGE |
|---------|------|-----|-----|------------|---------|
| THK-35  | 35.0 | 6.0 | 6.0 | M3         | 1000    |
| THK-36M | 36.0 | 6.0 | 6.0 |            |         |
| THK-37M | 37.0 | 6.0 | 6.0 |            |         |



### P.C. 板間隔柱 SPACER SUPPORT | 3-159-2 |

- MATERIAL: NYLON 66(UL)
- FLAME CLASS: 94V-2
- COLOR: NATURAL

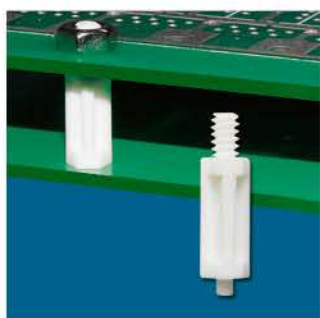
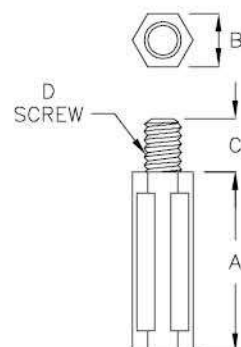
| PART NO | A    | B    | C   | D<br>SCREW | PACKAGE |
|---------|------|------|-----|------------|---------|
| THB-29  | 29.2 | ∅8.0 | 5.0 | #6-32      | 1000    |



### 六角型間隔柱 SPACER SUPPORT | 3-159-3 |

- MATERIAL: NYLON 66(UL)
- FLAME CLASS: 94V-2
- COLOR: NATURAL

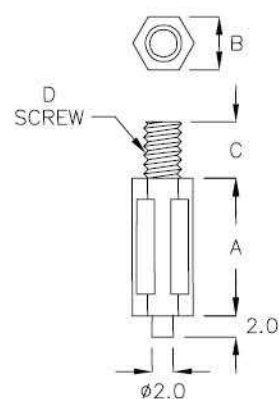
| PART NO | A    | B   | C   | D<br>SCREW | PACKAGE |
|---------|------|-----|-----|------------|---------|
| THM-17  | 17.0 | 5.0 | 5.0 | #6-32      | 1000    |



### 六角型間隔柱 SPACER SUPPORT | 3-159-4 |

- MATERIAL: NYLON 66(UL)
- FLAME CLASS: 94V-2
- COLOR: NATURAL

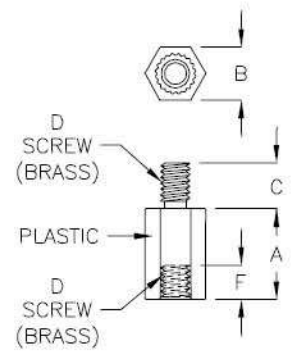
| PART NO | A    | B   | C   | D<br>SCREW | PACKAGE |
|---------|------|-----|-----|------------|---------|
| THC-13  | 13.0 | 5.0 | 5.0 | #6-32      | 2000    |





### 六角型間隔柱 SPACER SUPPORT 3-160-1

- MATERIAL: NYLON 66(UL), PPS(UL)
- FLAME CLASS: 94V-0
- COLOR: BLACK
- SCREW MATERIAL: BRASS

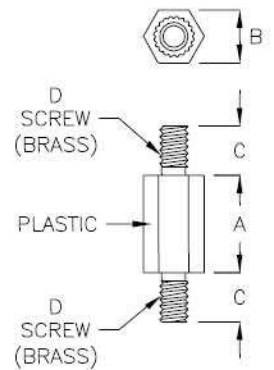


| PART NO     | MATERIAL | A    | B   | C   | D SCREW | F   | PACKAGE |
|-------------|----------|------|-----|-----|---------|-----|---------|
| TH3F-6R     | N66      | 6.0  | 6.0 | 3.5 | M3      | 2.9 | 500     |
| ★ TH3F-712G | PPS      | 12.0 | 7.0 | 6.0 | M3      | 4.0 |         |
| THU6-712F   | PPS      | 12.0 | 7.0 | 6.0 | #6-32   | 4.5 |         |

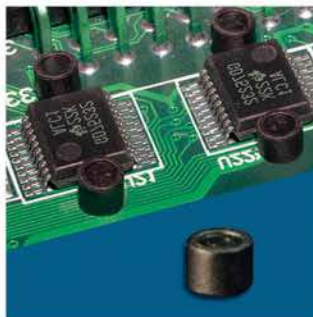


### 六角型間隔柱 SPACER SUPPORT 3-160-2

- MATERIAL: PBT(UL)
- FLAME CLASS: 94V-0
- COLOR: BLACK
- SCREW MATERIAL: BRASS

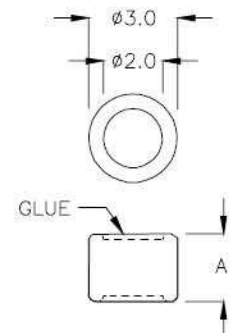


| PART NO  | A    | B   | C   | D SCREW | PACKAGE |
|----------|------|-----|-----|---------|---------|
| THT-6U12 | 12.0 | 6.5 | 6.0 | #6-32   | 500     |

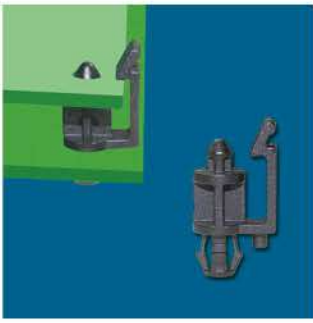


### P.C.B 板支撐柱 P.C.B SUPPORT 3-160-3

- MATERIAL: NYLON 46(UL)
- FLAME CLASS: 94V-0
- COLOR: BLACK

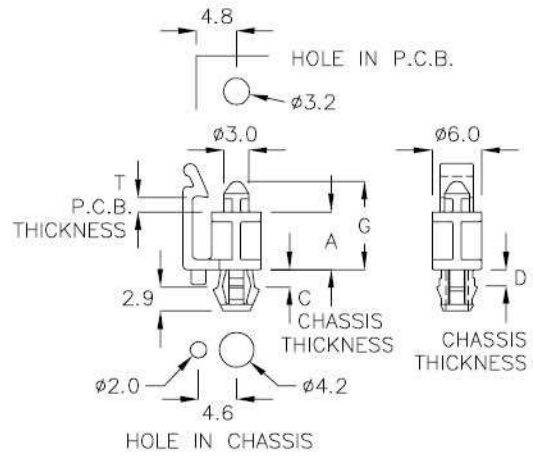


| PART NO | A   | PACKAGE |
|---------|-----|---------|
| DPX-02  | 2.3 | 2000    |

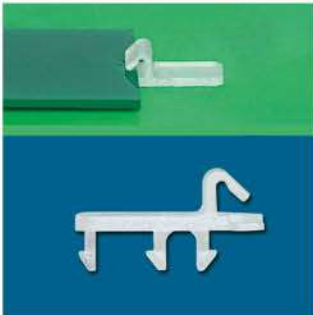


**P.C. 板間隔柱 SPACER SUPPORT | 3-121-1 |**

- MATERIAL: NYLON 66(UL)
- FLAME CLASS: 94V-2
- COLOR: BLACK

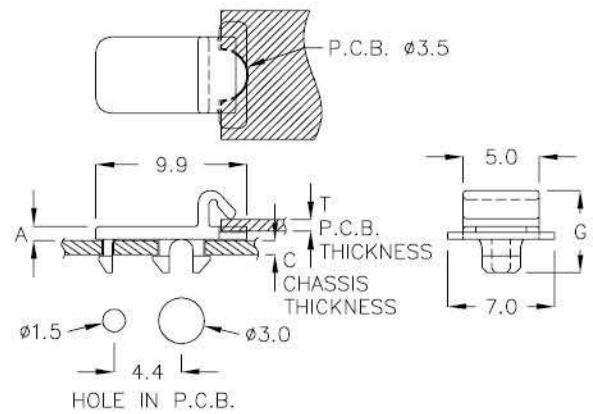


| PART NO | A   | G    | C<br>CHASSIS<br>THICKNESS | D<br>CHASSIS<br>THICKNESS | T<br>P.C.B.<br>THICKNESS | PACKAGE |
|---------|-----|------|---------------------------|---------------------------|--------------------------|---------|
| LMW-07  | 7.0 | 10.7 | 1.9                       | 1.7                       | 1.6                      | 1000    |

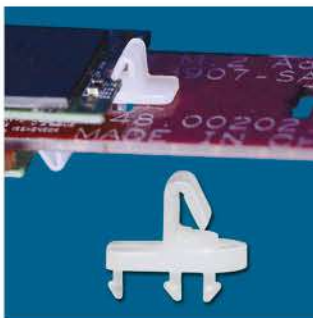


**M.2 卡固定扣 SPACER SUPPORT | 3-121-2 |**

- MATERIAL: NYLON 66(UL)
- FLAME CLASS: 94V-2
- COLOR: NATURAL

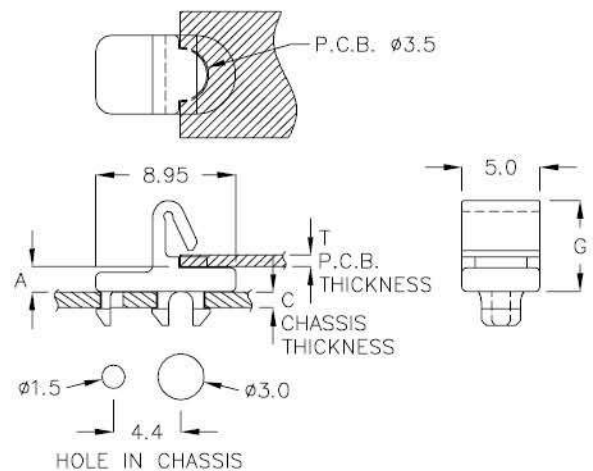


| PART NO | A    | G   | C<br>P.C.B.<br>THICKNESS | T<br>P.C.B.<br>THICKNESS | PACKAGE |
|---------|------|-----|--------------------------|--------------------------|---------|
| LSNT-04 | 0.85 | 5.4 | 1.0                      | 0.8                      | 1000    |

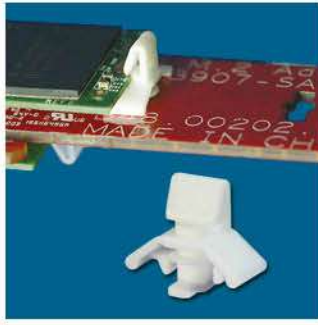


**M.2 卡固定扣 SPACER SUPPORT | 3-121-3 |**

- MATERIAL: NYLON 66(UL)
- FLAME CLASS: 94V-2
- COLOR: NATURAL



| PART NO | A   | G   | C<br>CHASSIS<br>THICKNESS | T<br>P.C.B.<br>THICKNESS | PACKAGE |
|---------|-----|-----|---------------------------|--------------------------|---------|
| LSN-1A  | 1.5 | 5.8 | 1.0                       | 0.85                     | 2000    |
| LSN-1XR | 1.5 | 5.6 | 1.6                       | 0.85                     |         |

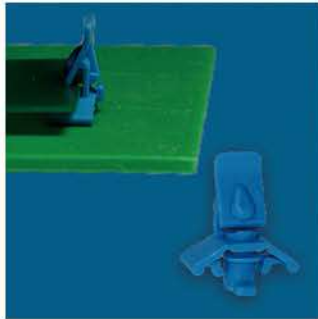
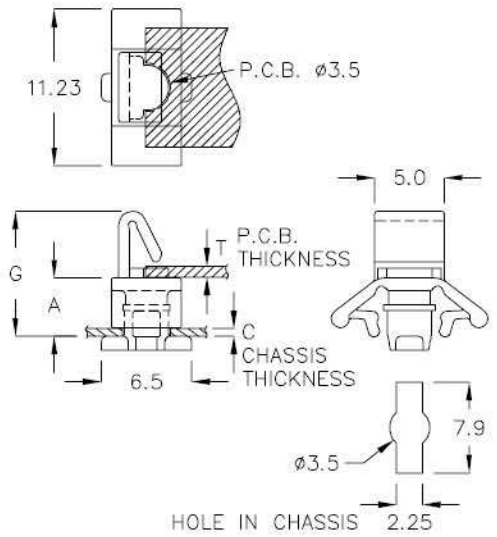


### M.2 卡固定扣 SPACER SUPPORT 3-122-1

- MATERIAL: NYLON 66(UL)
- FLAME CLASS: 94V-2
- COLOR: NATURAL

INSERT WITH 90 DEGREE ANGLE AND PRESS DOWN

| PART NO | A    | G   | C<br>CHASSIS<br>THICKNESS | T<br>P.C.B.<br>THICKNESS | PACKAGE |
|---------|------|-----|---------------------------|--------------------------|---------|
| LSZ-4A  | 4.15 | 9.0 | 1.0~1.6                   | 0.8                      | 1000    |



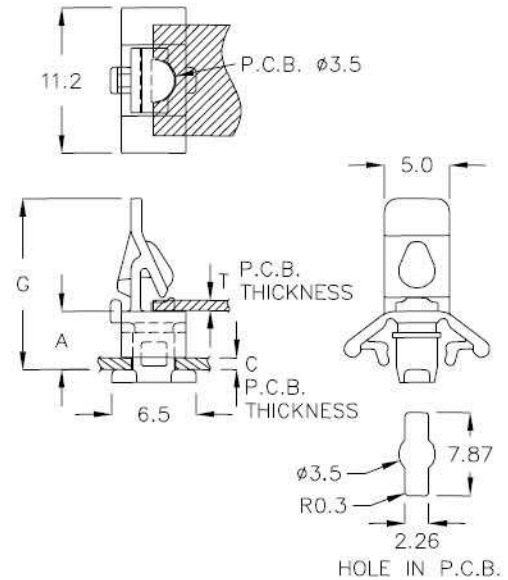
### M.2 卡固定扣 SPACER SUPPORT 3-122-2

- MATERIAL: NYLON 66(UL)
- FLAME CLASS: 94V-2
- COLOR: BLUE



INSERT WITH 90 DEGREE ANGLE AND PRESS DOWN

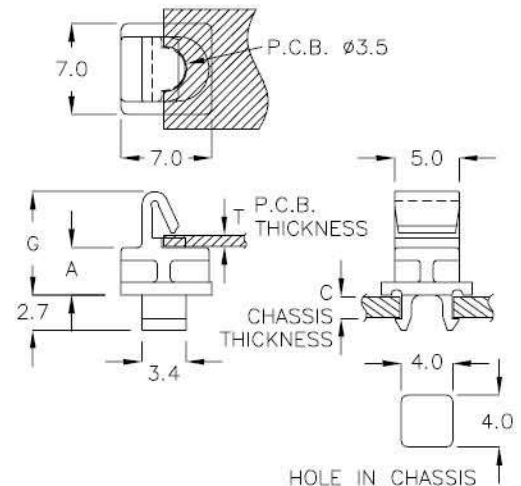
| PART NO    | A   | G    | C<br>P.C.B.<br>THICKNESS | T<br>P.C.B.<br>THICKNESS | PACKAGE |
|------------|-----|------|--------------------------|--------------------------|---------|
| ★ LSZQ-2GF | 4.5 | 13.2 | 1.8~2.2                  | 0.8                      | 1000    |



### M.2 卡固定扣 SPACER SUPPORT 3-122-3

- MATERIAL: NYLON 66(UL)
- FLAME CLASS: 94V-2
- COLOR: NATURAL

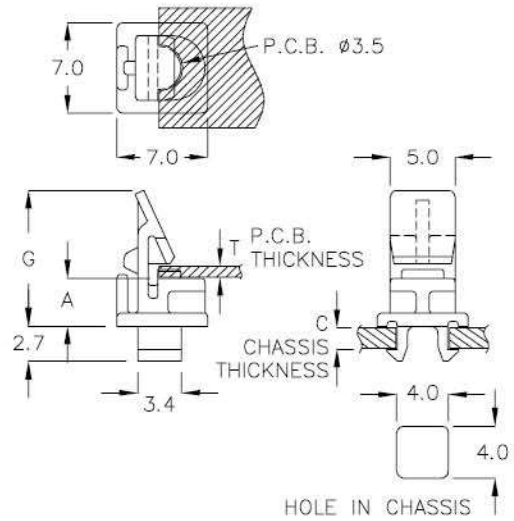
| PART NO | A   | G   | C<br>CHASSIS<br>THICKNESS | T<br>P.C.B.<br>THICKNESS | PACKAGE |
|---------|-----|-----|---------------------------|--------------------------|---------|
| LSP-3AN | 3.7 | 8.0 | 1.6                       | 0.8                      | 2000    |





**M.2 卡固定扣 SPACER SUPPORT 3-123-1**

- MATERIAL: NYLON 66(UL)
- FLAME CLASS: 94V-2
- COLOR: NATURAL

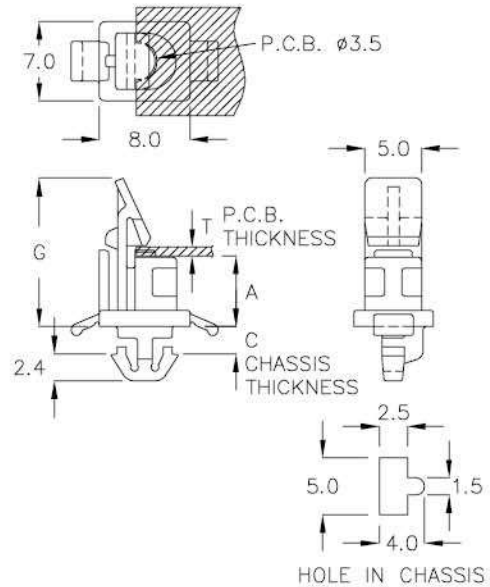


| PART NO | A   | G    | C CHASSIS THICKNESS | T P.C.B. THICKNESS | PACKAGE |
|---------|-----|------|---------------------|--------------------|---------|
| LTQ-2AR | 2.5 | 9.3  | 1.6                 | 0.8                | 2000    |
| LTQ-3CP | 3.7 | 10.5 | 1.6                 | 0.8                |         |

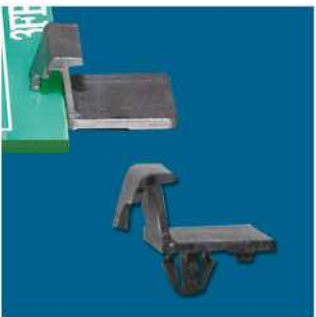


**P.C. 板間隔柱 SPACER SUPPORT 3-123-2**

- MATERIAL: NYLON 66(UL)
- FLAME CLASS: 94V-2
- COLOR: BLACK

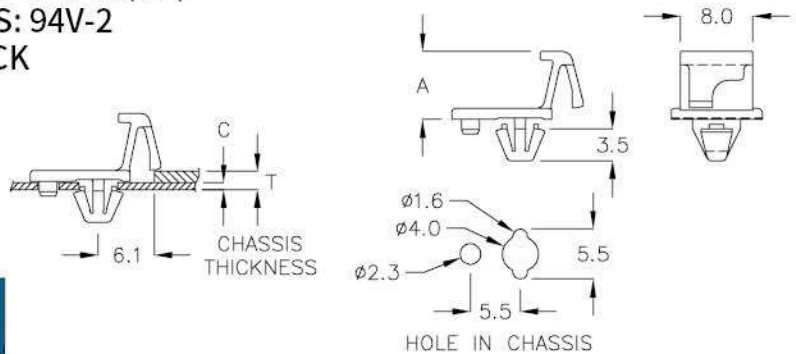


| PART NO | A   | G    | C CHASSIS THICKNESS | T P.C.B. THICKNESS | PACKAGE |
|---------|-----|------|---------------------|--------------------|---------|
| LTQR-6C | 6.1 | 17.9 | 1.9                 | 0.8                | 1000    |

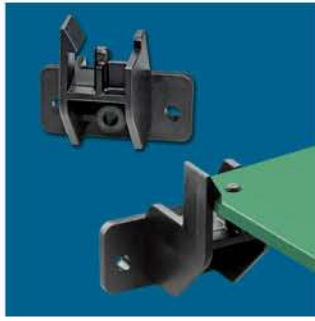


**M.2 卡固定扣 SPACER SUPPORT 3-123-3**

- MATERIAL: NYLON 66(UL)
- FLAME CLASS: 94V-2
- COLOR: BLACK



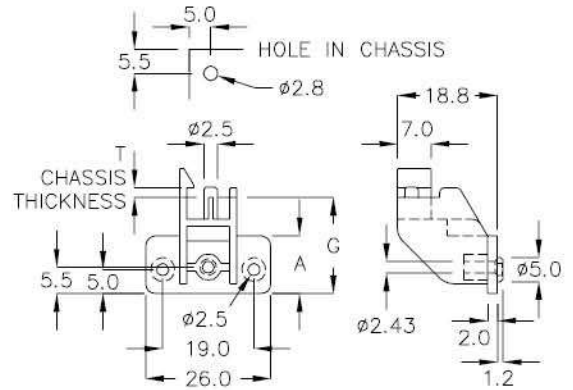
| PART NO | A   | C CHASSIS THICKNESS | T TOTAL THICKNESS | PACKAGE |
|---------|-----|---------------------|-------------------|---------|
| LSR-1FM | 7.5 | 0.8                 | 2.1               | 2000    |



### P.C. 板間隔柱 SPACER SUPPORT ———— 3-124-1

- MATERIAL: ABS+PC(UL)
- FLAME CLASS: 94V-0
- COLOR: BLACK

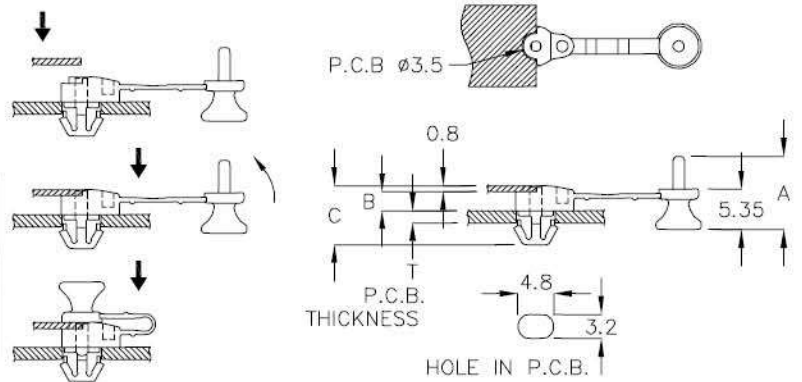
| PART NO | A    | G    | T<br>CHASSIS<br>THICKNESS | PACKAGE |
|---------|------|------|---------------------------|---------|
| LTRC-18 | 12.0 | 18.0 | 1.8                       | 500     |



### M.2 卡固定扣 M.2 CARD SNAP CLIP ———— 3-124-2

- MATERIAL: NYLON 66(UL)
- FLAME CLASS: 94V-2
- COLOR: BLACK

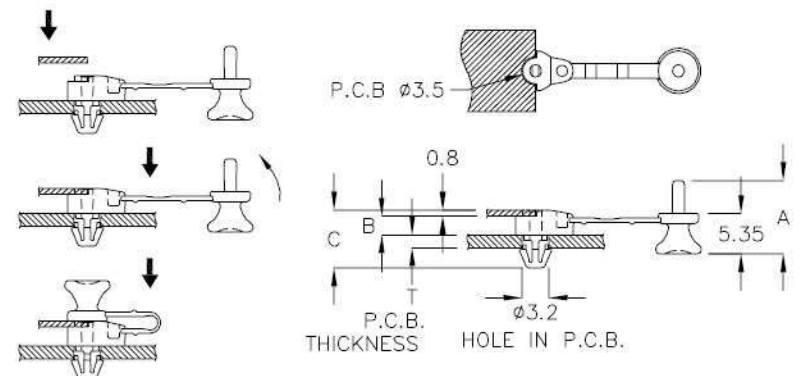
| PART NO  | A    | B   | C   | T<br>P.C.B.<br>THICKNESS | PACKAGE |
|----------|------|-----|-----|--------------------------|---------|
| SRTC-4A  | 9.7  | 2.5 | 7.8 | 1.6                      | 500     |
| SRTC-4CH | 9.7  | 2.5 | 8.1 | 2.0                      | 1000    |
| SRTC-4FD | 10.9 | 2.5 | 9.2 | 3.0                      |         |



### M.2 卡固定扣 M.2 CARD SNAP CLIP ———— 3-124-3

- MATERIAL: NYLON 66(UL)
- FLAME CLASS: 94V-2
- COLOR: BLACK

| PART NO  | A   | B   | C    | T<br>P.C.B.<br>THICKNESS | PACKAGE |
|----------|-----|-----|------|--------------------------|---------|
| SRTH-3FG | 9.7 | 2.5 | 7.65 | 1.6                      | 500     |

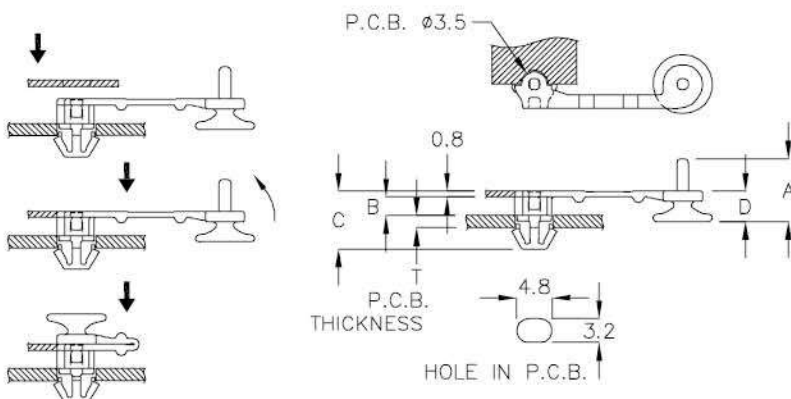




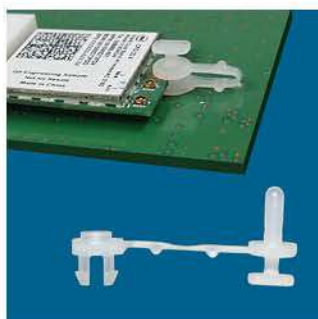


M.2 卡固定扣 M.2 CARD SNAP CLIP 3-125-1

- MATERIAL: NYLON 66(UL)
- FLAME CLASS: 94V-2
- COLOR: NATURAL

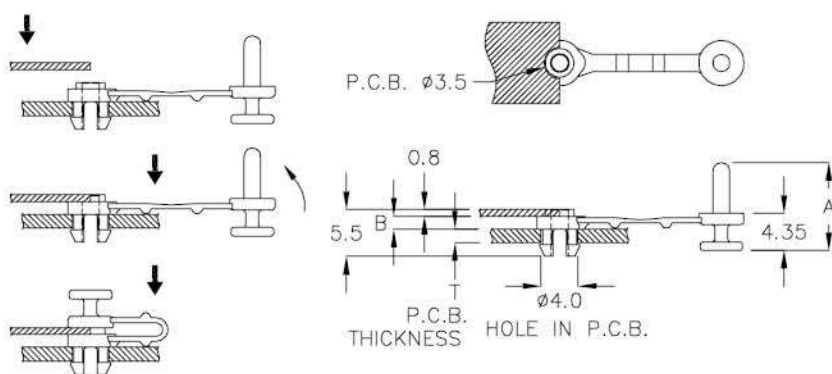


| PART NO  | A    | B   | C   | D   | T<br>P.C.B.<br>THICKNESS | PACKAGE |
|----------|------|-----|-----|-----|--------------------------|---------|
| SRTF-4GW | 8.45 | 2.5 | 7.8 | 4.1 | 1.6                      | 500     |
| SRTF-4RM | 9.7  | 2.5 | 7.4 | 5.4 | 1.2                      |         |



M.2 卡固定扣 M.2 CARD SNAP CLIP 3-125-2

- MATERIAL: NYLON 66(UL)
- FLAME CLASS: 94V-2
- COLOR: NATURAL

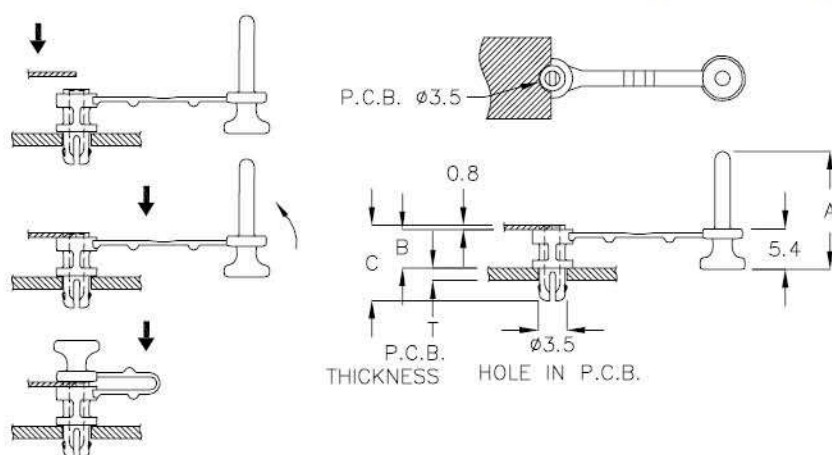


| PART NO | A     | B   | T<br>P.C.B.<br>THICKNESS | PACKAGE |
|---------|-------|-----|--------------------------|---------|
| SRTQ-4D | 10.25 | 1.5 | 1.6                      | 500     |



M.2 卡固定扣 M.2 CARD SNAP CLIP 3-125-3

- MATERIAL: NYLON 66(UL)
- FLAME CLASS: 94V-2
- COLOR: NATURAL, BLACK



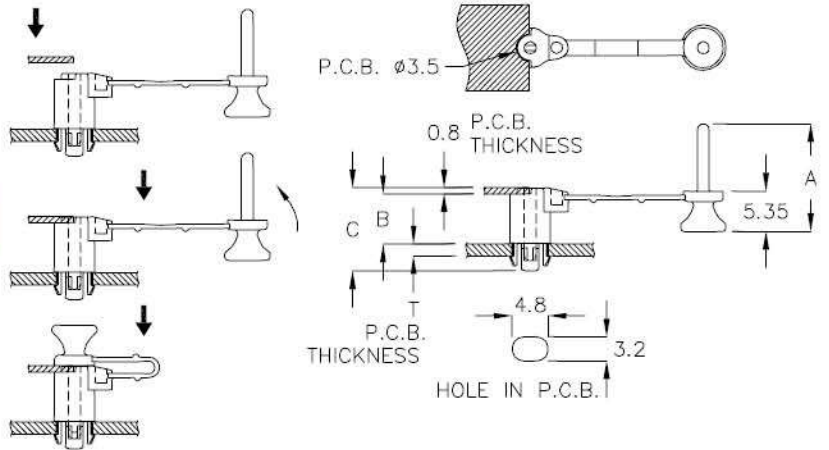
| PART NO  | A     | B    | C     | T<br>P.C.B.<br>THICKNESS | PACKAGE |
|----------|-------|------|-------|--------------------------|---------|
| SRTK-3QM | 13.05 | 2.5  | 7.6   | 1.6~2.2                  | 1000    |
| SRTK-3GP | 15.6  | 5.05 | 10.15 | 1.6~2.2                  |         |
| SRTK-3RZ | 17.35 | 6.65 | 11.95 | 1.6~2.2                  |         |
| SRTK-3FT | 18.15 | 6.65 | 12.8  | 2.3~3.0                  |         |



### M.2 卡固定扣 M.2 CARD SNAP CLIP 3-126-1

- MATERIAL: NYLON 66(UL)
- FLAME CLASS: 94V-2
- COLOR: BLACK

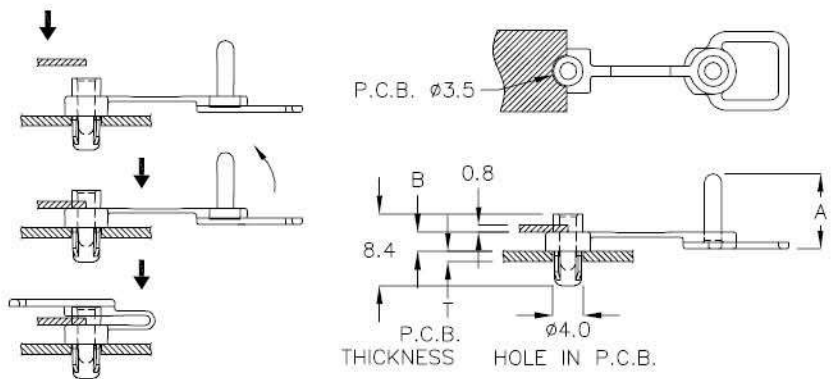
| PART NO | A     | B   | C    | T<br>P.C.B.<br>THICKNESS | PACKAGE |
|---------|-------|-----|------|--------------------------|---------|
| SRTY-4K | 16.35 | 6.5 | 11.0 | 1.6                      | 500     |



### M.2 卡固定扣 M.2 CARD SNAP CLIP 3-126-2

- MATERIAL: NYLON 66(UL)
- FLAME CLASS: 94V-2
- COLOR: NATURAL

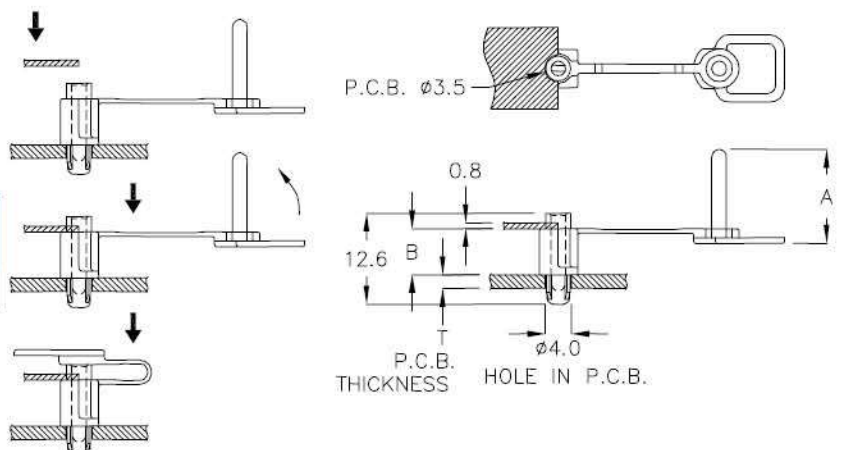
| PART NO | A   | B   | T<br>P.C.B.<br>THICKNESS | PACKAGE |
|---------|-----|-----|--------------------------|---------|
| SRTM-4K | 8.8 | 2.3 | 1.2~1.6                  | 500     |



### M.2 卡固定扣 M.2 CARD SNAP CLIP 3-126-3

- MATERIAL: NYLON 66(UL)
- FLAME CLASS: 94V-2
- COLOR: NATURAL

| PART NO  | A    | B   | T<br>P.C.B.<br>THICKNESS | PACKAGE |
|----------|------|-----|--------------------------|---------|
| SRTM-4PQ | 13.5 | 6.5 | 1.2~1.6                  | 500     |



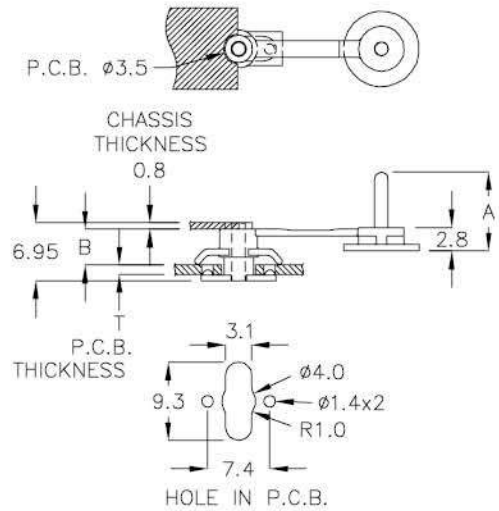
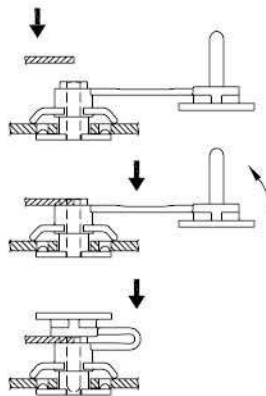


### M.2 卡固定扣 M.2 CARD SNAP CLIP 3-127-1

- MATERIAL: NYLON 66(UL)
- FLAME CLASS: 94V-0
- COLOR: BLACK

INSERT WITH 90 DEGREE ANGLE AND PRESS DOWN

| PART NO  | A   | B    | T<br>P.C.B.<br>THICKNESS | PACKAGE |
|----------|-----|------|--------------------------|---------|
| SRTD-4YR | 9.4 | 3.85 | 1.6                      | 500     |

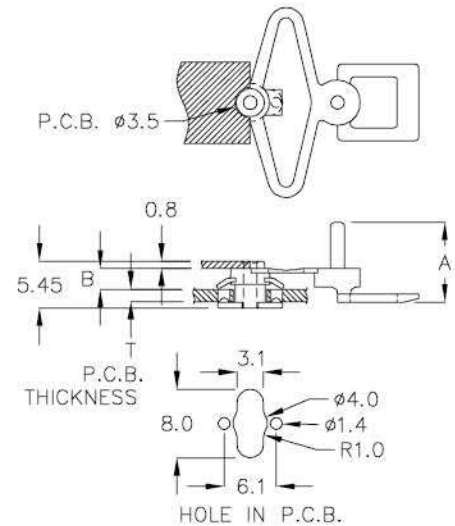
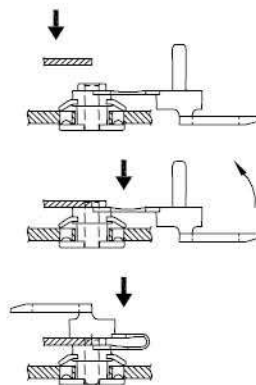


### M.2 卡固定扣 M.2 CARD SNAP CLIP 3-127-2

- MATERIAL: NYLON 66(UL)
- FLAME CLASS: 94V-2
- COLOR: BLACK

INSERT WITH 90 DEGREE ANGLE AND PRESS DOWN

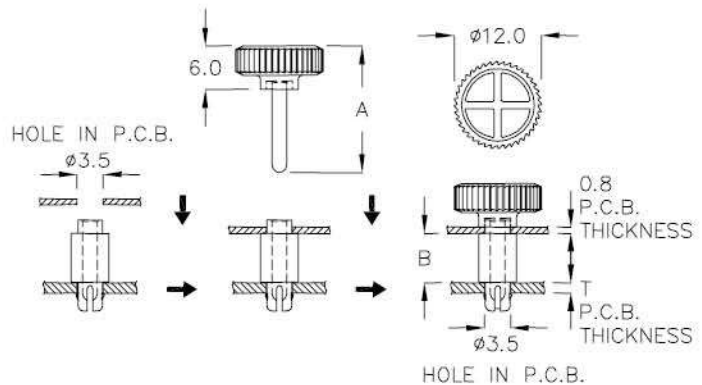
| PART NO   | A   | B    | T<br>P.C.B.<br>THICKNESS | PACKAGE |
|-----------|-----|------|--------------------------|---------|
| S RTP-4FQ | 9.4 | 2.35 | 1.6                      | 500     |

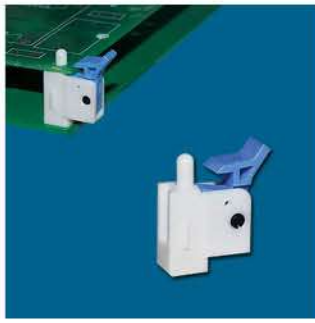


### M.2 卡固定扣 M.2 CARD SNAP HOLDER 3-127-3

- MATERIAL: NYLON 66(UL)
- FLAME CLASS: 94V-2
- COLOR: BLACK

| PART NO  | A    | B    | T<br>P.C.B.<br>THICKNESS | PACKAGE |
|----------|------|------|--------------------------|---------|
| SRTA-3KP | 17.4 | 6.65 | 1.6                      | 500     |

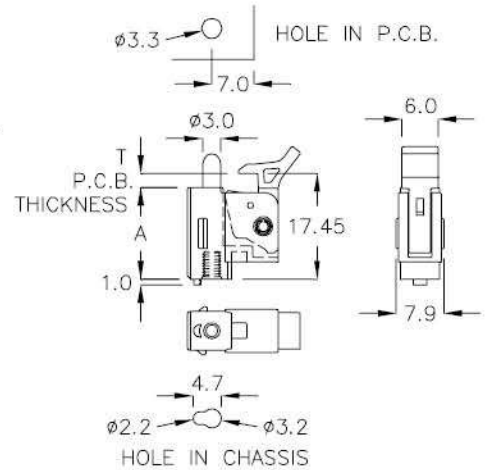
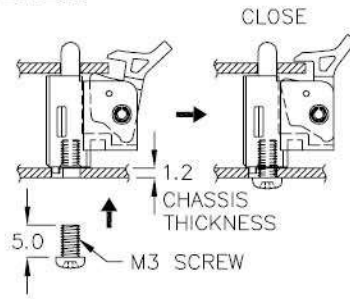




M.2 卡固定扣 M.2 CARD SNAP CLIP 3-128-1

- MATERIAL: NYLON 66(UL)
- FLAME CLASS: 94V-0
- COLOR: NATURAL, BLUE
- USE M3 SCREW

| PART NO | A    | T<br>P.C.B.<br>THICKNESS | PACKAGE |
|---------|------|--------------------------|---------|
| LXC-21K | 15.1 | 1.6                      | 200     |

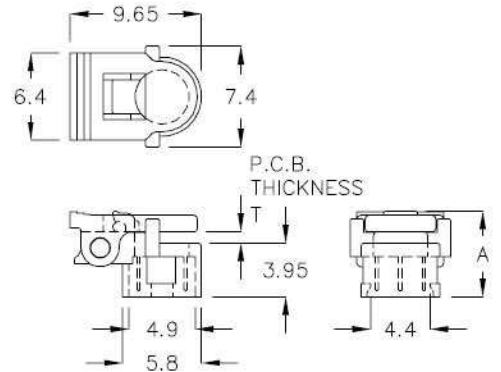
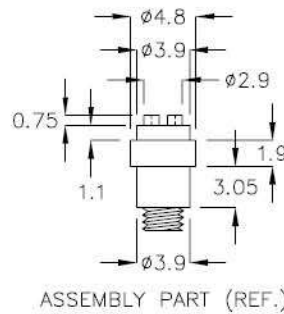


M.2 卡固定扣 M.2 CARD SNAP CLIP 3-128-2

- MATERIAL: NYLON 66(UL)
- FLAME CLASS: 94V-0
- COLOR: BLACK

NEW

| PART NO  | A   | T<br>P.C.B.<br>THICKNESS | PACKAGE |
|----------|-----|--------------------------|---------|
| ★ LXCG-9 | 6.3 | 0.8                      | 500     |

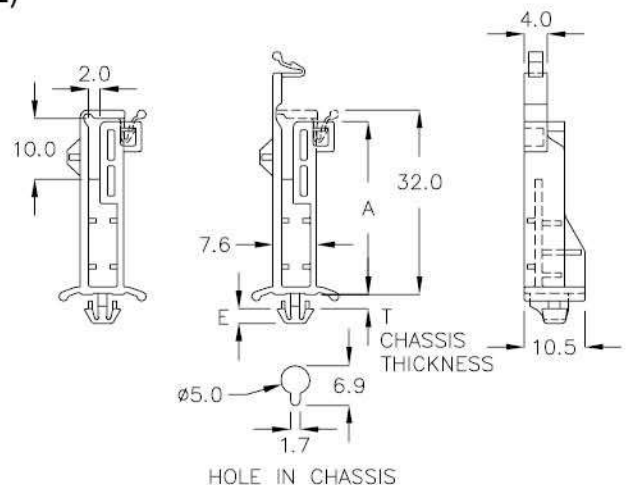


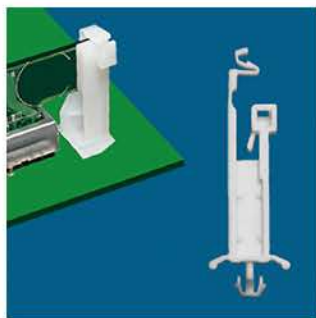
M.2 卡固定扣 SPACER SUPPORT 3-128-3

- MATERIAL: NYLON 66(UL)
- FLAME CLASS: 94V-2
- COLOR: NATURAL

Built-In Anti-Spin Function WITH LOCK FEATURE

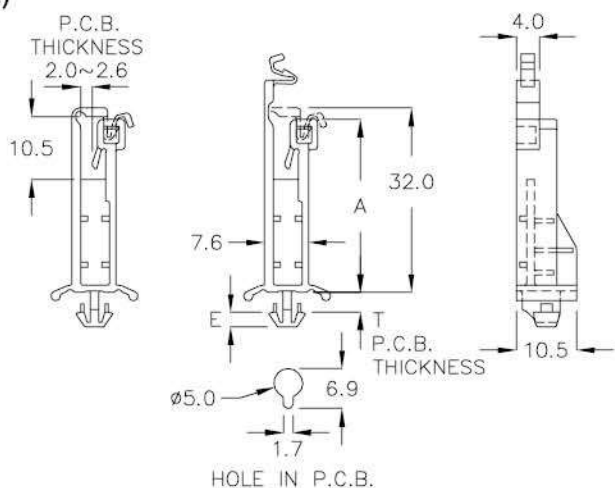
| PART NO  | A    | E   | T<br>CHASSIS<br>THICKNESS | PACKAGE |
|----------|------|-----|---------------------------|---------|
| DAG-28C  | 30.0 | 2.5 | 1.8~2.0                   | 500     |
| DAG-28TN | 30.0 | 2.5 | 2.0~2.2                   |         |





**M.2 卡固定扣 SPACER SUPPORT** | 3-129-1 |

- MATERIAL: NYLON 66(UL)
- FLAME CLASS: 94V-0
- COLOR: NATURAL



Built-In Anti-Spin Function WITH LOCK FEATURE

| PART NO   | A    | E   | T<br>P.C.B.<br>THICKNESS | PACKAGE |
|-----------|------|-----|--------------------------|---------|
| ★ DAGK-28 | 30.0 | 2.5 | 2.2~2.8                  | 500     |

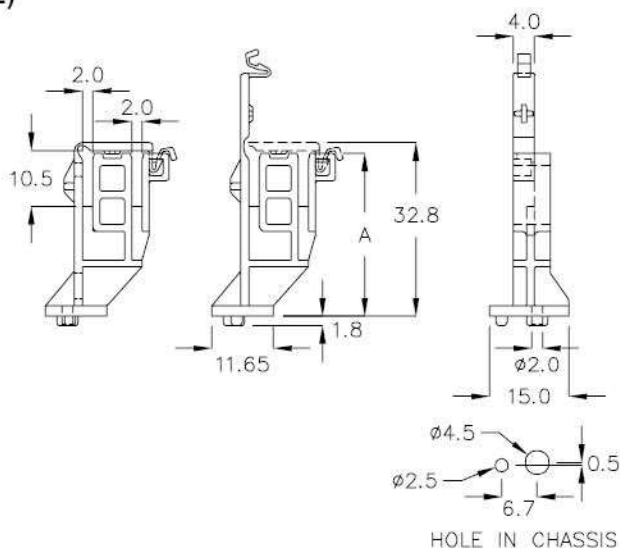


**P.C. 板固定座 P.C.B MOUNT** | 3-129-2 |

- MATERIAL: NYLON 66(UL)
- FLAME CLASS: 94V-2
- COLOR: NATURAL
- USE M2 SCREW

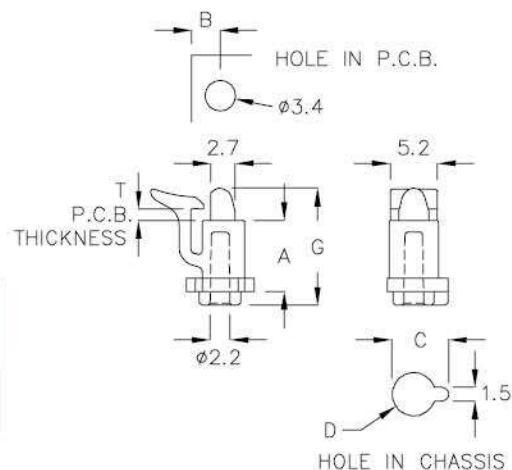
WITH LOCK FEATURE

| PART NO  | A    | PACKAGE |
|----------|------|---------|
| DAGH-30T | 30.8 | 200     |

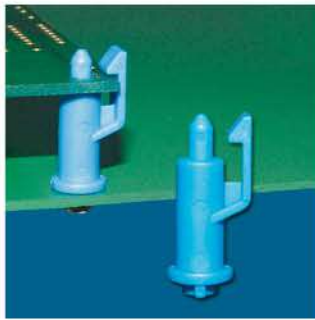


**P.C. 板間隔柱 SPACER SUPPORT** | 3-129-3 |

- MATERIAL: NYLON 66(UL)
- FLAME CLASS: 94V-2
- COLOR: BLACK
- USE M3 TAPPING SCREW

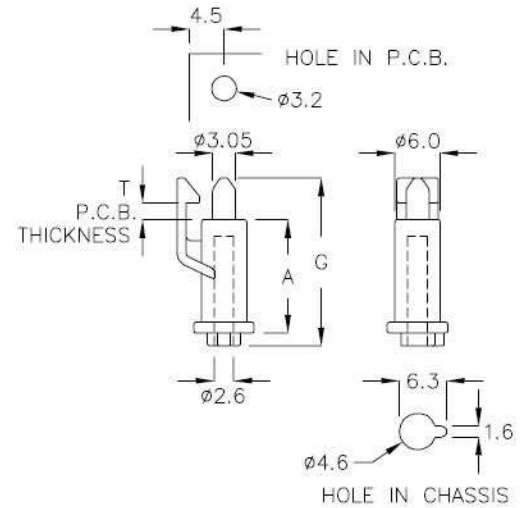


| PART NO   | A    | B    | C   | D   | G     | T<br>P.C.B.<br>THICKNESS | USE<br>TAPPING<br>SCREW | PACKAGE |
|-----------|------|------|-----|-----|-------|--------------------------|-------------------------|---------|
| ★ LTW-7AK | 7.15 | 5.5  | 6.2 | 4.7 | 18.65 | 1.7~1.9                  | M3x5L                   | 1000    |
| LTW-7C    | 7.85 | 3.15 | 6.3 | 4.8 | 12.9  | 1.0~1.2                  | M3x6L                   |         |



**P.C. 板間隔柱 SPACER SUPPORT 3-130-1**

- MATERIAL: NYLON 66(UL)
- FLAME CLASS: 94V-2
- COLOR: BLUE
- USE M3x8 TAPPING SCREW

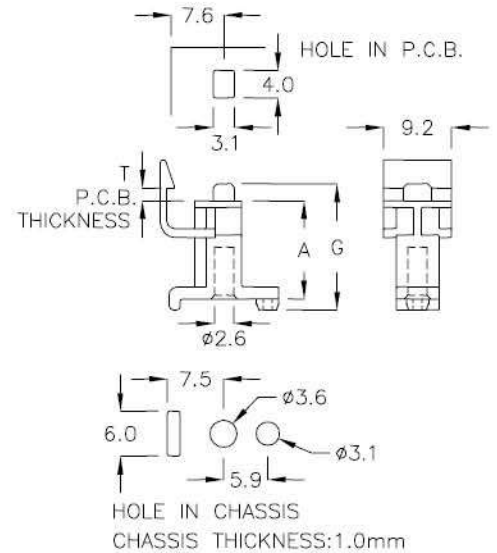


| PART NO | A    | G    | T<br>P.C.B.<br>THICKNESS | PACKAGE |
|---------|------|------|--------------------------|---------|
| LTF-01  | 15.0 | 22.2 | 1.6~1.8                  | 500     |



**P.C. 板間隔柱 SPACER SUPPORT 3-130-2**

- MATERIAL: NYLON 66(UL)
- FLAME CLASS: 94V-2
- COLOR: NATURAL, GREEN
- USE M3x7 TAPPING SCREW

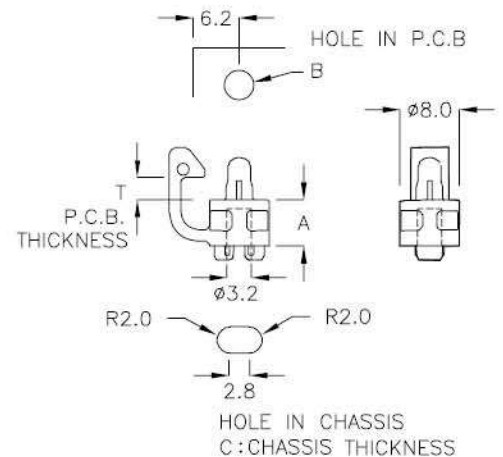


| PART NO | A    | G    | T<br>P.C.B.<br>THICKNESS | PACKAGE |
|---------|------|------|--------------------------|---------|
| LTR-13A | 13.2 | 17.0 | 1.4~1.6                  | 1000    |

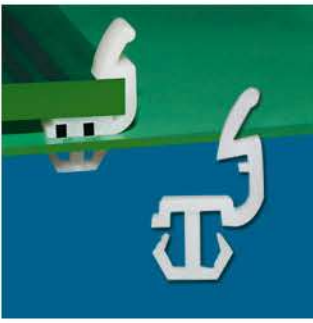


**P.C. 板間隔柱 SPACER SUPPORT 3-130-3**

- MATERIAL: NYLON 66(UL)
- FLAME CLASS: 94V-2
- COLOR: NATURAL
- USE M3.5x6 TAPPING SCREW

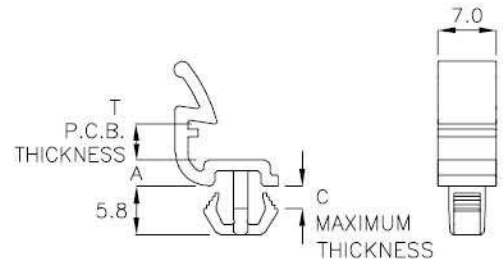


| PART NO | A   | B          | C<br>CHASSIS<br>THICKNESS | T<br>P.C.B.<br>THICKNESS | PACKAGE |
|---------|-----|------------|---------------------------|--------------------------|---------|
| LTK-6A  | 6.2 | $\phi 4.0$ | 2.0~2.3                   | 2.8~3.0                  | 1000    |
| LTK-7C  | 7.5 | $\phi 3.3$ | 2.5~2.7                   | 1.6~1.85                 |         |

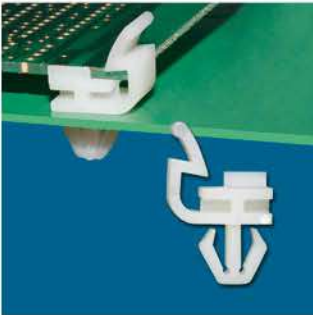
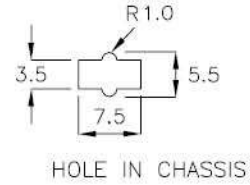


**P.C. 板間隔柱 SPACER SUPPORT** | 3-131-1 |

- MATERIAL: NYLON 66(UL)
- FLAME CLASS: 94V-2
- COLOR: NATURAL

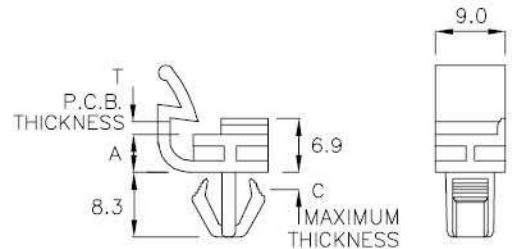


| PART NO | A   | T<br>P.C.B.<br>THICKNESS | C<br>MAXIMUM<br>THICKNESS | PACKAGE |
|---------|-----|--------------------------|---------------------------|---------|
| LS-3A   | 3.0 | 3.8~4.0                  | 2.0                       | 500     |

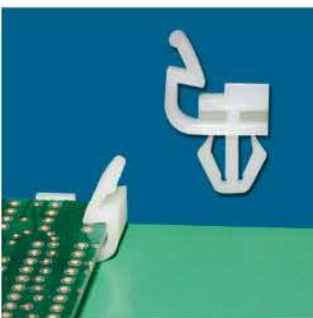
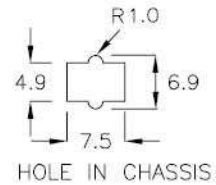


**P.C. 板間隔柱 SPACER SUPPORT** | 3-131-2 |

- MATERIAL: NYLON 66(UL)
- FLAME CLASS: 94V-2
- COLOR: NATURAL

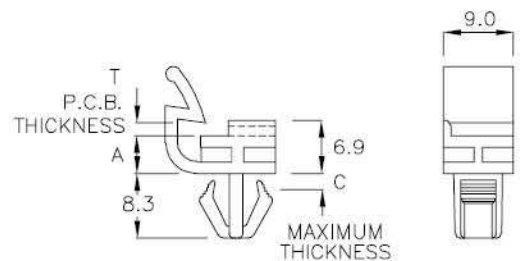


| PART NO | A   | T<br>P.C.B.<br>THICKNESS | C<br>MAXIMUM<br>THICKNESS | PACKAGE |
|---------|-----|--------------------------|---------------------------|---------|
| LS-4A   | 4.9 | 1.4~1.6                  | 1.6                       | 500     |

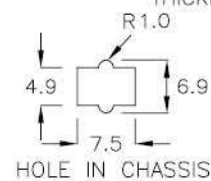


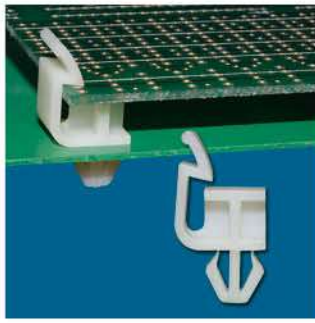
**P.C. 板間隔柱 SPACER SUPPORT** | 3-131-3 |

- MATERIAL: NYLON 66(UL)
- FLAME CLASS: 94V-2
- COLOR: NATURAL



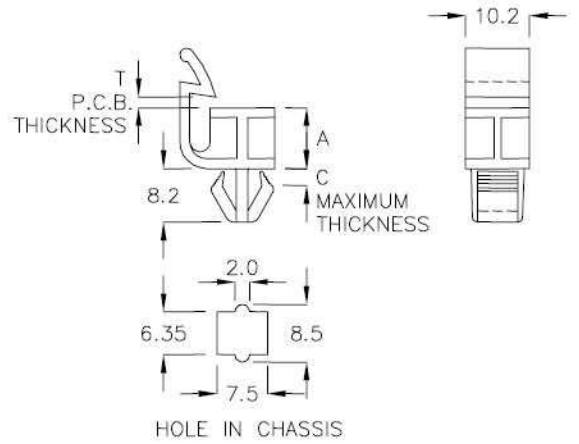
| PART NO | A   | T<br>P.C.B.<br>THICKNESS | C<br>MAXIMUM<br>THICKNESS | PACKAGE |
|---------|-----|--------------------------|---------------------------|---------|
| LS-4C   | 4.9 | 1.4~1.6                  | 1.6                       | 500     |



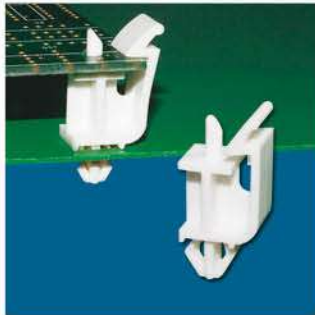


**P.C. 板間隔柱 SPACER SUPPORT 3-132-1**

- MATERIAL: NYLON 66(UL)
- FLAME CLASS: 94V-2
- COLOR: NATURAL

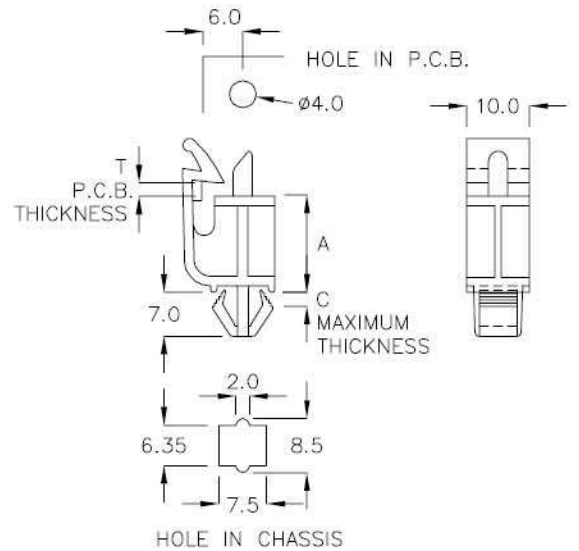


| PART NO | A   | C<br>MAXIMUM<br>THICKNESS | T<br>P.C.B.<br>THICKNESS | PACKAGE |
|---------|-----|---------------------------|--------------------------|---------|
| LS-9A   | 9.0 | 2.0                       | 0.8~2.2                  | 500     |

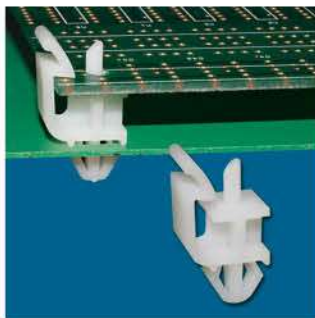


**P.C. 板間隔柱 SPACER SUPPORT 3-132-2**

- MATERIAL: NYLON 66(UL)
- FLAME CLASS: 94V-2
- COLOR: NATURAL

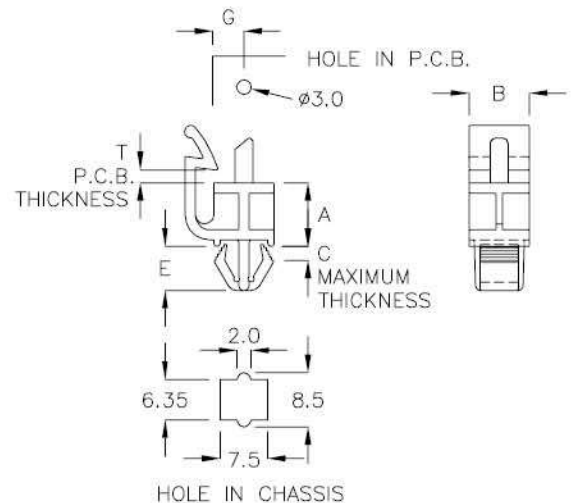


| PART NO | A    | C<br>MAXIMUM<br>THICKNESS | T<br>P.C.B.<br>THICKNESS | PACKAGE |
|---------|------|---------------------------|--------------------------|---------|
| LS-15   | 15.2 | 1.6                       | 1.4~1.6                  | 500     |



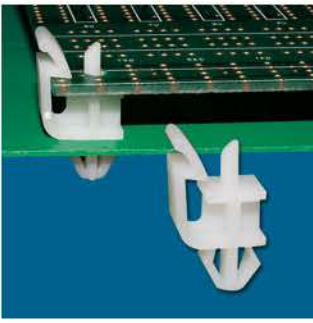
**P.C. 板間隔柱 SPACER SUPPORT 3-132-3**

- MATERIAL: NYLON 66(UL)
- FLAME CLASS: 94V-2
- COLOR: NATURAL



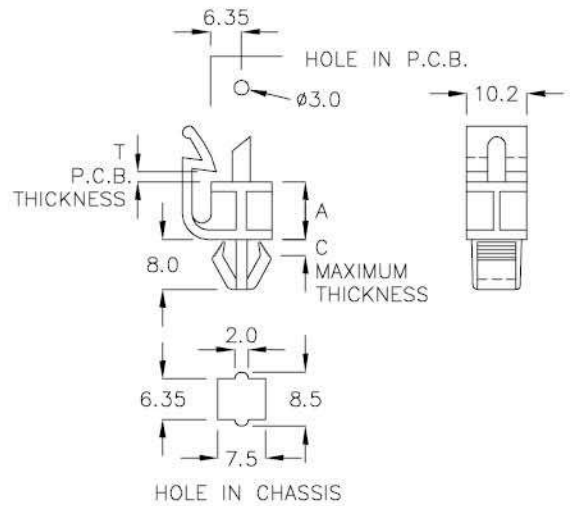
| PART NO | A    | B    | C<br>MAXIMUM<br>THICKNESS | E   | G    | T<br>P.C.B.<br>THICKNESS | PACKAGE |
|---------|------|------|---------------------------|-----|------|--------------------------|---------|
| LS-7    | 7.5  | 10.2 | 1.4                       | 7.1 | 6.35 | 0.8~2.2                  | 500     |
| LS-10   | 10.0 | 10.1 | 1.4                       | 7.1 | 6.35 | 0.8~2.2                  |         |
| LS-10AN | 10.0 | 9.5  | 1.6                       | 6.9 | 5.35 | 0.8~1.6                  |         |



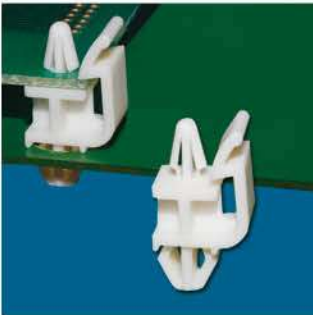


**P.C. 板間隔柱 SPACER SUPPORT 3-133-1**

- MATERIAL: NYLON 66(UL)
- FLAME CLASS: 94V-2
- COLOR: NATURAL

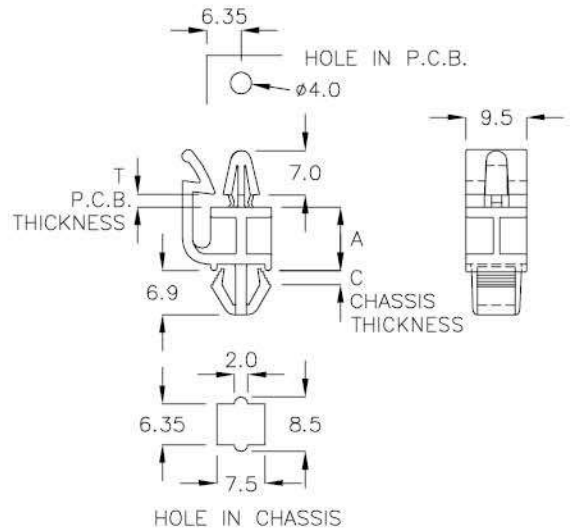


| PART NO | A   | C<br>MAXIMUM<br>THICKNESS | T<br>P.C.B.<br>THICKNESS | PACKAGE |
|---------|-----|---------------------------|--------------------------|---------|
| LS-9    | 9.0 | 2.0                       | 0.8~2.2                  | 500     |

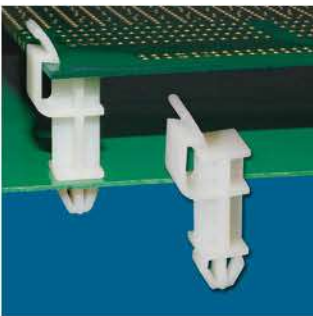


**P.C. 板間隔柱 SPACER SUPPORT 3-133-2**

- MATERIAL: NYLON 66(UL)
- FLAME CLASS: 94V-2
- COLOR: NATURAL

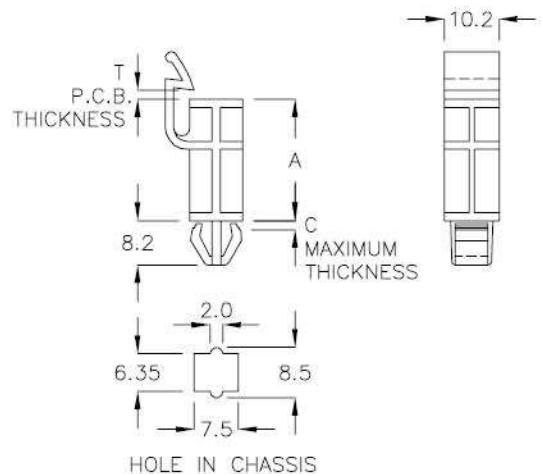


| PART NO | A    | C<br>CHASSIS<br>THICKNESS | T<br>P.C.B.<br>THICKNESS | PACKAGE |
|---------|------|---------------------------|--------------------------|---------|
| LSQ-10  | 10.0 | 0.8~1.6                   | 1.6                      | 500     |
| LSQ-15A | 15.0 | 0.8~1.6                   | 1.6                      |         |

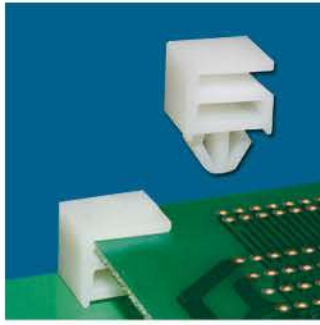


**P.C. 板間隔柱 SPACER SUPPORT 3-133-3**

- MATERIAL: NYLON 66(UL)
- FLAME CLASS: 94V-2
- COLOR: NATURAL

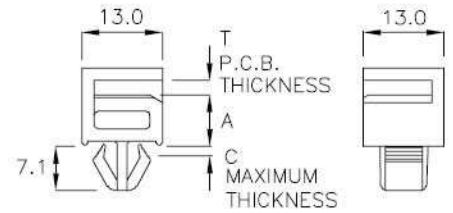


| PART NO | A    | C<br>MAXIMUM<br>THICKNESS | T<br>P.C.B.<br>THICKNESS | PACKAGE |
|---------|------|---------------------------|--------------------------|---------|
| LS-22A  | 22.5 | 0.8                       | 1.4~1.6                  | 500     |

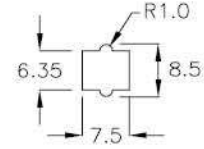


P.C. 板間隔柱 SPACER SUPPORT ———— 3-134-1

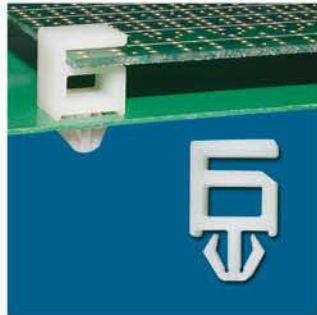
- MATERIAL: NYLON 66(UL)
- FLAME CLASS: 94V-2
- COLOR: NATURAL



| PART NO | A    | T<br>P.C.B.<br>THICKNESS | C<br>MAXIMUM<br>THICKNESS | PACKAGE |
|---------|------|--------------------------|---------------------------|---------|
| LTS-7   | 7.5  | 0.8~2.2                  | 1.4                       | 500     |
| LTS-10  | 10.0 | 0.8~2.2                  | 1.4                       |         |

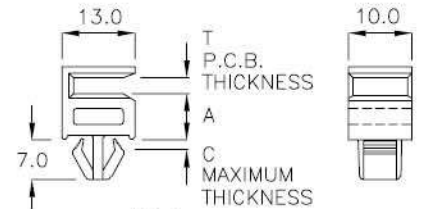


HOLE IN CHASSIS

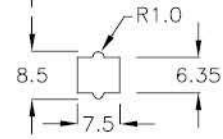


P.C. 板間隔柱 SPACER SUPPORT ———— 3-134-2

- MATERIAL: NYLON 66(UL)
- FLAME CLASS: 94V-2
- COLOR: NATURAL



| PART NO | A    | T<br>P.C.B.<br>THICKNESS | C<br>MAXIMUM<br>THICKNESS | PACKAGE |
|---------|------|--------------------------|---------------------------|---------|
| LTS-10A | 10.0 | 1.2~2.2                  | 1.6                       | 500     |

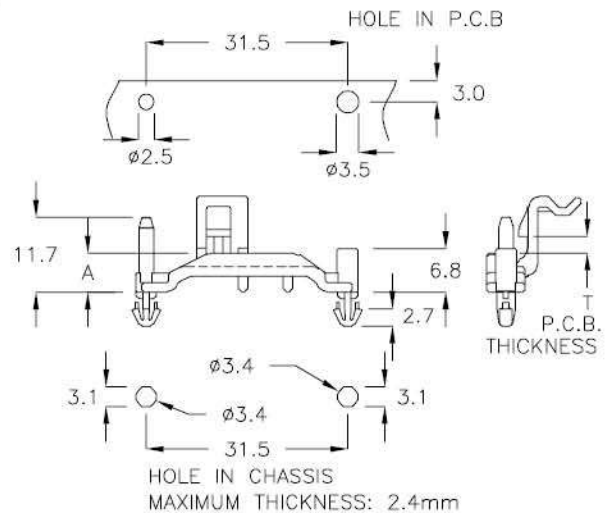


HOLE IN CHASSIS



P.C. 板間隔柱 SPACER SUPPORT ———— 3-134-3

- MATERIAL: NYLON 66(UL)
- FLAME CLASS: 94V-2
- COLOR: NATURAL,BLUE

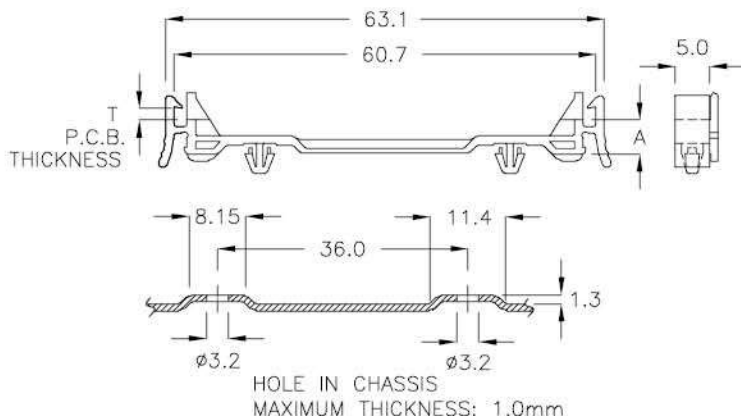


| PART NO | A   | T<br>P.C.B.<br>THICKNESS | PACKAGE |
|---------|-----|--------------------------|---------|
| FKK-6RC | 6.1 | 1.4~1.6                  | 200     |



### P.C. 板間隔柱 SPACER SUPPORT 3-135-1

- MATERIAL: NYLON 66(UL)
- FLAME CLASS: 94V-2
- COLOR: BLACK

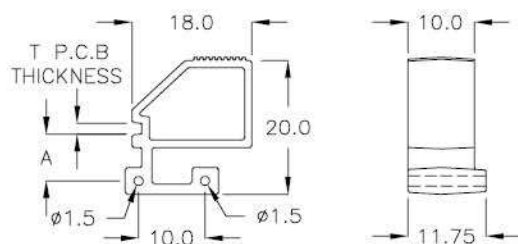


| PART NO  | A   | T<br>P.C.B.<br>THICKNESS | PACKAGE |
|----------|-----|--------------------------|---------|
| MTC-65DR | 4.9 | 1.6                      | 200     |



### P.C. 板間隔柱 SPACER SUPPORT 3-135-2

- MATERIAL: NYLON 66(UL)
- FLAME CLASS: 94V-2
- COLOR: NATURAL
- USE M2x8 TAPPING SCREW

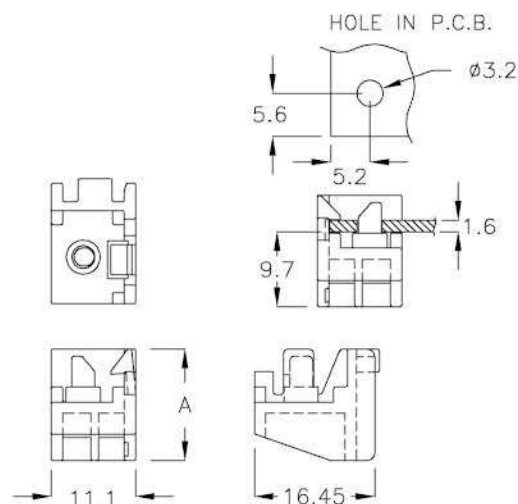


| PART NO | A   | T<br>P.C.B.<br>THICKNESS | PACKAGE |
|---------|-----|--------------------------|---------|
| LSY-07  | 7.0 | 1.4~1.6                  | 200     |

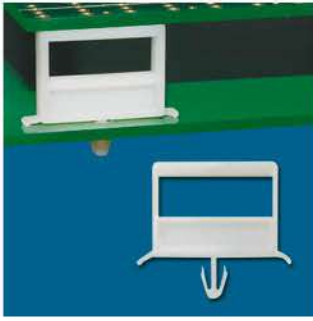


### P.C. 板間隔柱 SPACER SUPPORT 3-135-3

- MATERIAL: NYLON 66(UL)
- FLAME CLASS: 94V-0
- COLOR: BLACK

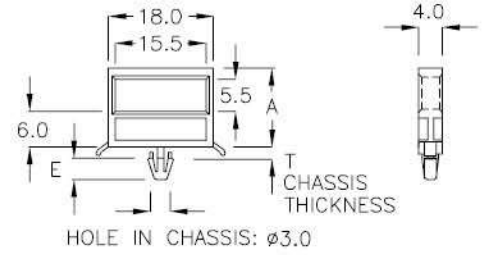


| PART NO | A     | PACKAGE |
|---------|-------|---------|
| MTC-14A | 14.65 | 1000    |

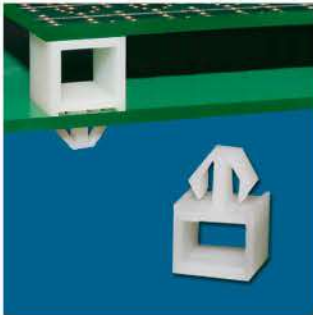


**P.C. 板間隔柱 SPACER SUPPORT 3-136-1**

- MATERIAL: NYLON 66(UL)
- FLAME CLASS: 94V-2
- COLOR: NATURAL

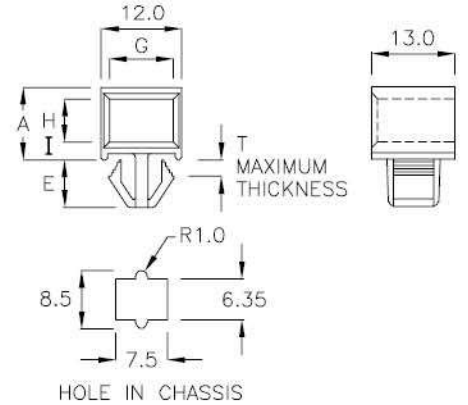


| PART NO | A    | T<br>CHASSIS<br>THICKNESS | E   | PACKAGE |
|---------|------|---------------------------|-----|---------|
| LD-13   | 13.3 | 1.2~1.6                   | 3.8 | 500     |



**P.C. 板間隔柱 SPACER SUPPORT 3-136-2**

- MATERIAL: NYLON 66(UL)
- FLAME CLASS: 94V-2
- COLOR: NATURAL

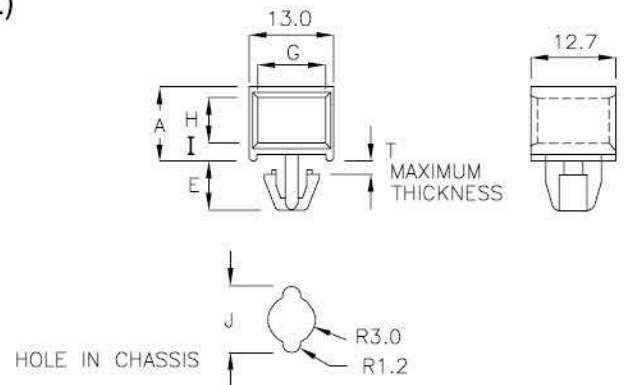


| PART NO | A    | E   | G   | H   | I    | T<br>MAXIMUM<br>THICKNESS | PACKAGE |
|---------|------|-----|-----|-----|------|---------------------------|---------|
| LW-10   | 10.6 | 7.1 | 9.4 | 6.3 | 2.65 | 1.8                       | 200     |
| LW-012  | 12.7 | 7.1 | 9.2 | 8.2 | 2.75 | 1.8                       |         |
| LW-013  | 12.5 | 6.4 | 9.1 | 8.2 | 2.5  | 1.4                       |         |

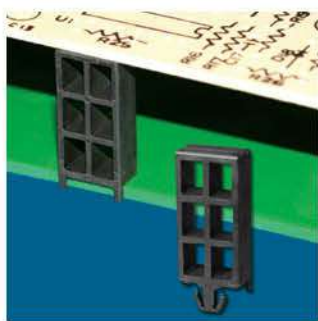


**P.C. 板間隔柱 SPACER SUPPORT 3-136-3**

- MATERIAL: NYLON 66(UL)
- FLAME CLASS: 94V-2
- COLOR: NATURAL

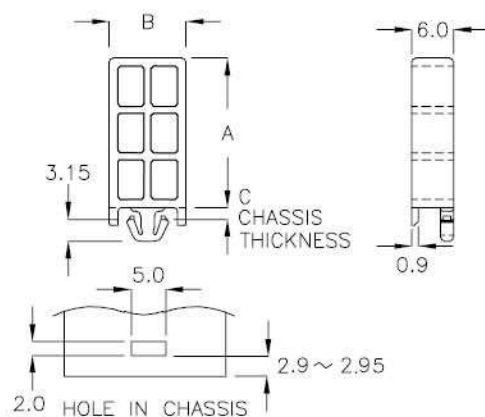


| PART NO | A    | E   | G   | H   | I    | J   | T<br>MAXIMUM<br>THICKNESS | PACKAGE |
|---------|------|-----|-----|-----|------|-----|---------------------------|---------|
| LD-10A  | 10.6 | 7.2 | 9.5 | 6.1 | 2.5  | 8.4 | 1.6                       | 500     |
| LD-12C  | 12.6 | 7.1 | 9.1 | 8.2 | 2.65 | 9.4 | 1.6                       |         |

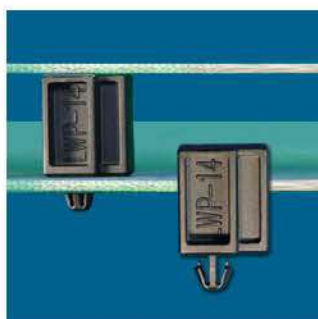


### P.C. 板間隔柱 SPACER SUPPORT 3-137-1

- MATERIAL: NYLON 66(UL)
- FLAME CLASS: 94V-2
- COLOR: BLACK

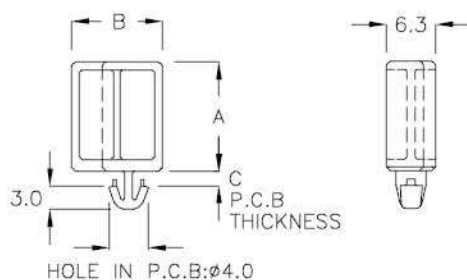


| PART NO | A    | B    | C<br>CHASSIS<br>THICKNESS | PACKAGE |
|---------|------|------|---------------------------|---------|
| LWC-21A | 21.5 | 11.0 | 1.4~1.6                   | 500     |

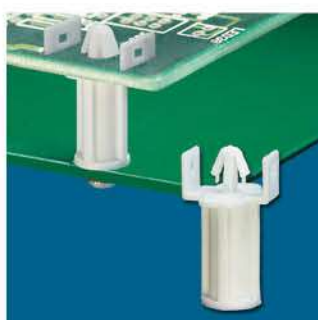


### P.C. 板間隔柱 SPACER SUPPORT 3-137-2

- MATERIAL: NYLON 66(UL)
- FLAME CLASS: 94V-2
- COLOR: NATURAL, BLACK

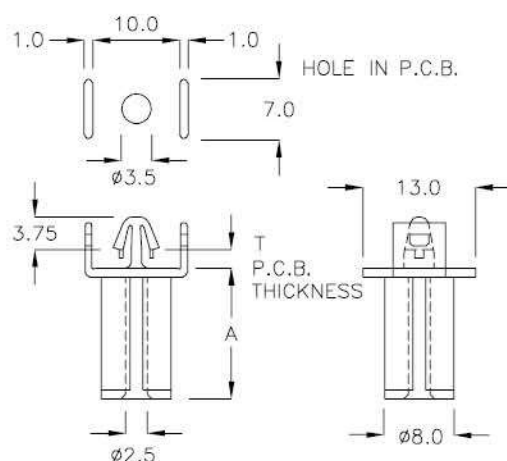


| PART NO | A    | B    | C<br>P.C.B<br>THICKNESS | PACKAGE |
|---------|------|------|-------------------------|---------|
| LWP-14  | 14.0 | 11.7 | 1.7                     | 500     |

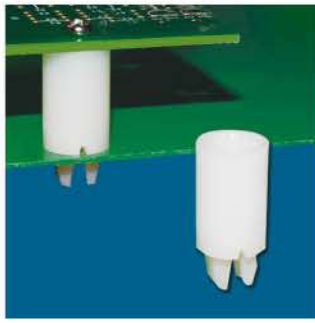


### P.C. 板間隔柱 SPACER SUPPORT 3-137-3

- MATERIAL: NYLON 66(UL)
- FLAME CLASS: 94V-2
- COLOR: NATURAL
- USE M3x8 TAPPING SCREW

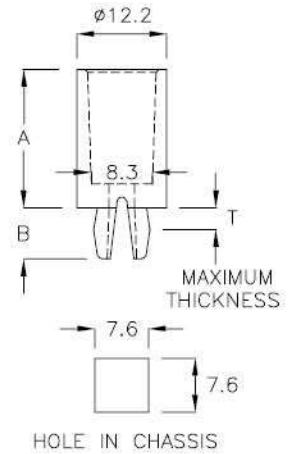


| PART NO | A    | T<br>P.C.B.<br>THICKNESS | PACKAGE |
|---------|------|--------------------------|---------|
| LSL-15  | 15.0 | 1.8~1.95                 | 500     |

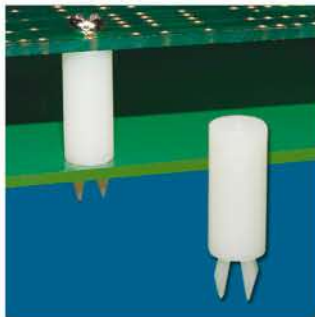


**P.C. 板間隔柱 SPACER SUPPORT 3-138-1**

- MATERIAL: NYLON 66(UL)
- FLAME CLASS: 94V-2
- COLOR: NATURAL
- USE #6-32 UNC STANDARD TAPPING SCREW

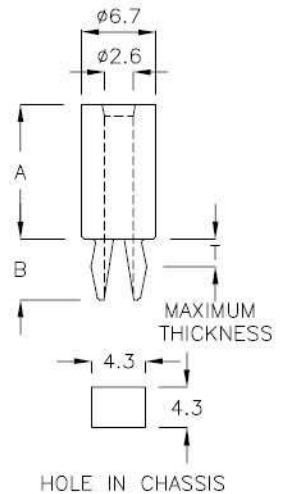


| PART NO | A    | B   | T<br>MAXIMUM THICKNESS | PACKAGE |
|---------|------|-----|------------------------|---------|
| TS-18   | 18.8 | 7.0 | 2.2                    | 500     |



**P.C. 板間隔柱 SPACER SUPPORT 3-138-2**

- MATERIAL: NYLON 66(UL)
- FLAME CLASS: 94V-2
- COLOR: NATURAL
- USE M3x22 STANDARD TAPPING SCREW

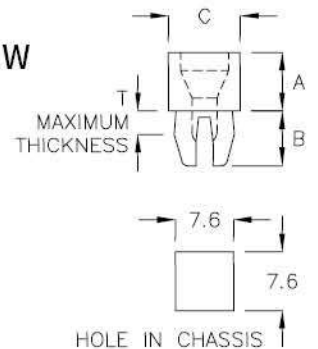


| PART NO | A    | B   | T<br>MAXIMUM THICKNESS | PACKAGE |
|---------|------|-----|------------------------|---------|
| TSA-16  | 15.9 | 5.5 | 1.6                    | 200     |

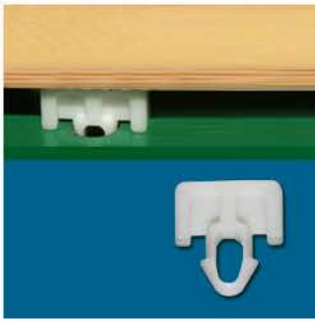


**P.C. 板間隔柱 SPACER SUPPORT 3-138-3**

- MATERIAL: NYLON 66(UL)
- FLAME CLASS: 94V-2
- COLOR: NATURAL
- USE #6-32 UNC STANDARD TAPPING SCREW



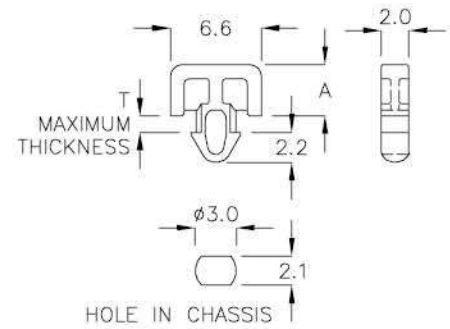
| PART NO | A   | B   | C   | T<br>MAXIMUM THICKNESS | PACKAGE |
|---------|-----|-----|-----|------------------------|---------|
| TB-6A   | 1.0 | 7.0 | 9.5 | 2.2                    | 1000    |
| TB-6    | 1.3 | 7.0 | 9.5 | 2.2                    |         |
| TB-7    | 7.6 | 7.1 | 9.4 | 2.2                    | 500     |



### P.C. 板間隔柱 SPACER SUPPORT 3-139-1

- MATERIAL: NYLON 66(UL)
- FLAME CLASS: 94V-2
- COLOR: NATURAL

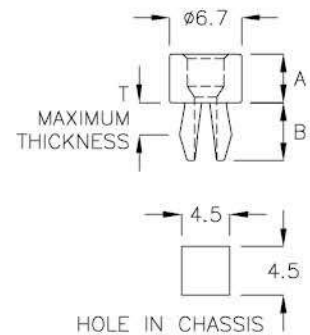
| PART NO | A   | T<br>MAXIMUM<br>THICKNESS | PACKAGE |
|---------|-----|---------------------------|---------|
| LWH-3K  | 3.7 | 1.0                       | 2000    |
| LWH-5C  | 5.2 | 1.0                       | 500     |



### P.C. 板間隔柱 SPACER SUPPORT 3-139-2

- MATERIAL: NYLON 66(UL)
- FLAME CLASS: 94V-2
- COLOR: NATURAL
- USE M2.5 STANDARD TAPPING SCREW

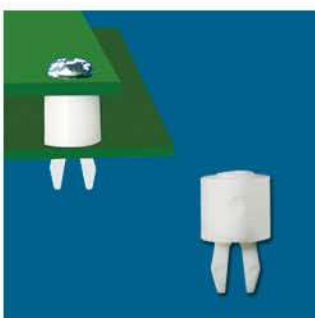
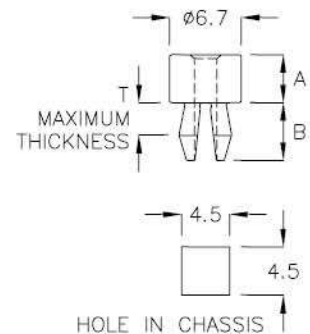
| PART NO | A   | B   | T<br>MAXIMUM<br>THICKNESS | PACKAGE |
|---------|-----|-----|---------------------------|---------|
| TSC-4A  | 4.5 | 5.4 | 2.3                       | 1000    |



### P.C. 板間隔柱 SPACER SUPPORT 3-139-3

- MATERIAL: PC(UL)
- COLOR: NATURAL
- USE M3 STANDARD TAPPING SCREW

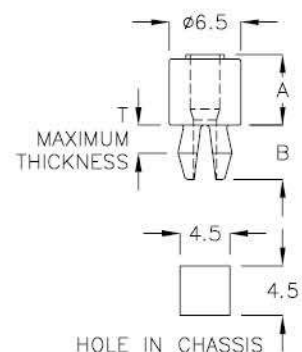
| PART NO | A   | B   | T<br>MAXIMUM<br>THICKNESS | PACKAGE |
|---------|-----|-----|---------------------------|---------|
| TSC-4DK | 4.5 | 5.4 | 2.3                       | 1000    |

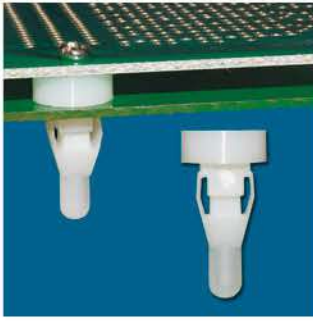


### P.C. 板間隔柱 SPACER SUPPORT 3-139-4

- MATERIAL: NYLON 66(UL)
- FLAME CLASS: 94V-2
- COLOR: NATURAL
- USE M2.5 STANDARD TAPPING SCREW

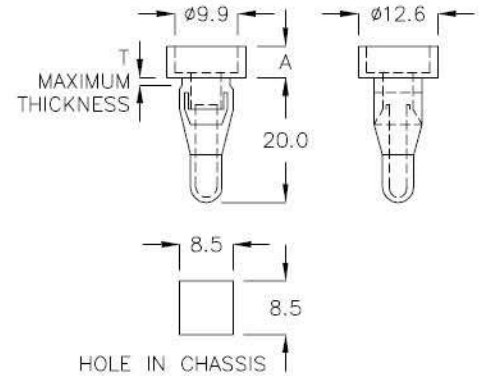
| PART NO | A   | B   | T<br>MAXIMUM<br>THICKNESS | PACKAGE |
|---------|-----|-----|---------------------------|---------|
| TSD-6M  | 6.4 | 4.9 | 1.6                       | 1000    |





**P.C. 板間隔柱 SPACER SUPPORT 3-140-1**

- MATERIAL: NYLON 66(UL)
- FLAME CLASS: 94V-2
- COLOR: NATURAL
- USE M4x10 STANDARD TAPPING SCREW

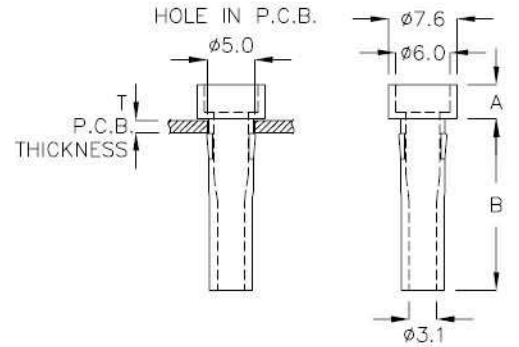


| PART NO | A   | T<br>MAXIMUM<br>THICKNESS | PACKAGE |
|---------|-----|---------------------------|---------|
| TB-10   | 5.0 | 1.0                       | 500     |
| TB-10A  | 3.0 | 1.0                       |         |
| TB-10C  | 0.8 | 1.0                       |         |

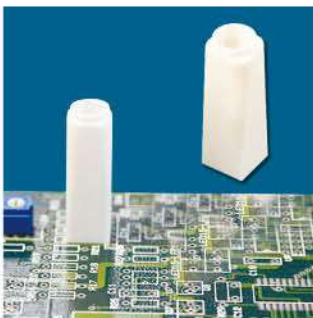


**P.C. 板間隔柱 SPACER SUPPORT 3-140-2**

- MATERIAL: NYLON 66(UL)
- FLAME CLASS: 94V-2
- COLOR: NATURAL

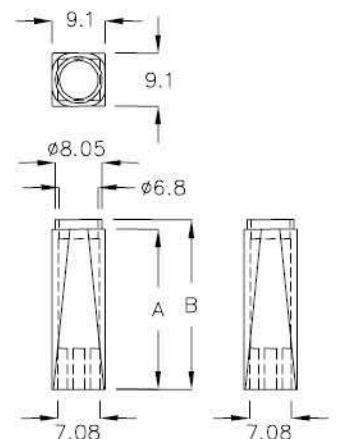


| PART NO | A   | B    | T<br>P.C.B.<br>THICKNESS | PACKAGE |
|---------|-----|------|--------------------------|---------|
| RMF-22  | 3.8 | 23.6 | 1.3~1.5                  | 1000    |



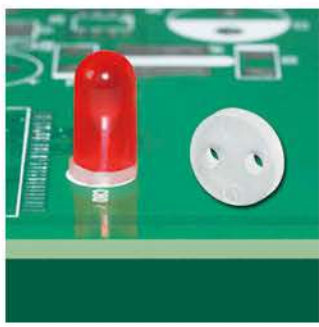
**固定座 MOUNT 3-140-3**

- MATERIAL: NYLON 66(UL)
- FLAME CLASS: 94V-2
- COLOR: NATURAL



| PART NO | A    | B    | PACKAGE |
|---------|------|------|---------|
| RMF-21A | 21.4 | 23.0 | 500     |
| RMF-25A | 25.9 | 27.5 |         |
| RMF-27A | 27.7 | 29.3 |         |
| RMF-32A | 32.3 | 34.4 |         |



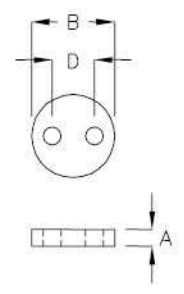


### LED 套 LED HOLDER

4-53-1

- MATERIAL: NYLON 66(UL)
- FLAME CLASS: 94V-2
- COLOR: NATURAL

| FOR $\phi 5$ 2PIN LED |     |            |      |         |
|-----------------------|-----|------------|------|---------|
| PART NO               | A   | B          | D    | PACKAGE |
| LED3-1TF              | 1.0 | $\phi 5.0$ | 2.54 | 2000    |



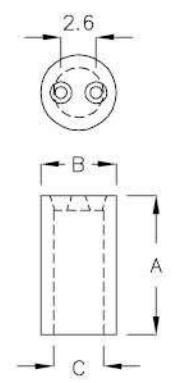
### LED 套 LED HOLDER

4-53-2

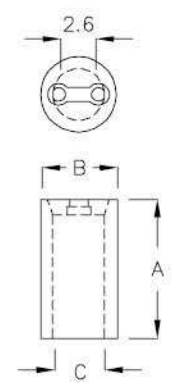
- MATERIAL: NYLON 66(UL)
- FLAME CLASS: 94V-2
- COLOR: NATURAL

| FOR $\phi 5$ 2PIN LED |      |            |            |         |
|-----------------------|------|------------|------------|---------|
| PART NO               | A    | B          | C          | PACKAGE |
| * LED-2A              | 2.0  | $\phi 5.0$ | $\phi 3.7$ | 2000    |
| * LED-2.5A            | 2.5  | $\phi 5.0$ | $\phi 3.7$ |         |
| * LED-3A              | 3.1  | $\phi 5.0$ | $\phi 3.7$ |         |
| * LED-3.5             | 3.5  | $\phi 5.0$ | $\phi 3.6$ |         |
| * LED-4C              | 4.0  | $\phi 5.0$ | $\phi 3.6$ |         |
| * LED-4.5A            | 4.5  | $\phi 5.0$ | $\phi 3.6$ |         |
| * LED-5A              | 5.0  | $\phi 5.0$ | $\phi 3.6$ |         |
| * LED-5.5             | 5.5  | $\phi 5.0$ | $\phi 3.6$ |         |
| * LED-6A              | 6.0  | $\phi 5.0$ | $\phi 3.6$ |         |
| * LED-6.5A            | 6.5  | $\phi 5.0$ | $\phi 3.5$ |         |
| * LED-7               | 7.0  | $\phi 5.0$ | $\phi 3.6$ |         |
| * LED-7.5A            | 7.5  | $\phi 5.1$ | $\phi 3.6$ |         |
| * LED-7.9             | 7.9  | $\phi 5.0$ | $\phi 3.6$ |         |
| * LED-8.5A            | 8.5  | $\phi 5.0$ | $\phi 3.6$ |         |
| * LED-9               | 9.0  | $\phi 5.1$ | $\phi 3.6$ |         |
| LED-9.5               | 9.5  | $\phi 5.0$ | $\phi 3.6$ |         |
| * LED-10              | 10.0 | $\phi 5.0$ | $\phi 3.5$ |         |
| * LED-10.6            | 10.7 | $\phi 5.1$ | $\phi 3.6$ |         |
| LED-11                | 11.0 | $\phi 5.0$ | $\phi 3.8$ |         |
| * LED-12A             | 12.0 | $\phi 5.0$ | $\phi 3.2$ |         |
| * LED-13              | 13.0 | $\phi 5.0$ | $\phi 3.6$ |         |
| * LED-13.8            | 13.8 | $\phi 5.0$ | $\phi 3.7$ |         |
| LED-14                | 14.0 | $\phi 5.0$ | $\phi 3.6$ |         |
| * LED-14A             | 14.0 | $\phi 5.0$ | $\phi 3.7$ |         |
| * LED-15KM            | 15.0 | $\phi 5.0$ | $\phi 3.5$ |         |
| * LED-15A             | 15.2 | $\phi 5.0$ | $\phi 3.7$ |         |
| * LED-16              | 16.0 | $\phi 5.0$ | $\phi 3.7$ |         |
| * LED-16A             | 16.4 | $\phi 5.0$ | $\phi 3.7$ |         |
| LED-18B               | 18.3 | $\phi 5.1$ | $\phi 3.6$ |         |
| LED-19                | 19.1 | $\phi 5.0$ | $\phi 3.9$ |         |
| * LED-20              | 20.2 | $\phi 5.0$ | $\phi 3.8$ |         |
| LED-21                | 21.0 | $\phi 5.0$ | $\phi 3.8$ |         |
| * LED-22              | 22.0 | $\phi 5.1$ | $\phi 3.9$ |         |
| * LED-23              | 23.0 | $\phi 5.1$ | $\phi 3.8$ |         |
|                       |      |            |            | 500     |

LED 套無開槽



\* LED 套開凹槽



\* LED HOLDER WITH CONCAVE  
\* 表示 LED 套開凹槽

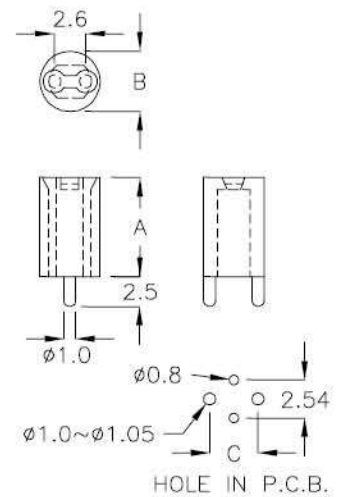
| FOR $\phi 5$ 2PIN LED |      |            |            |         |
|-----------------------|------|------------|------------|---------|
| PART NO               | A    | B          | C          | PACKAGE |
| LED-2                 | 2.2  | $\phi 5.6$ | $\phi 3.8$ | 2000    |
| LED-2.5               | 2.6  | $\phi 5.9$ | $\phi 3.8$ |         |
| LED-3                 | 3.2  | $\phi 5.6$ | $\phi 3.8$ |         |
| * LED-3.6             | 3.6  | $\phi 5.6$ | $\phi 3.8$ |         |
| LED-4                 | 4.1  | $\phi 5.6$ | $\phi 3.8$ |         |
| * LED-4.5             | 4.5  | $\phi 5.6$ | $\phi 3.8$ |         |
| * LED-5               | 5.0  | $\phi 5.6$ | $\phi 3.8$ |         |
| * LED-6               | 6.0  | $\phi 5.6$ | $\phi 3.8$ |         |
| * LED-6S              | 6.1  | $\phi 5.7$ | $\phi 3.8$ |         |
| * LED-6.8             | 6.8  | $\phi 5.6$ | $\phi 3.8$ |         |
| LED-7.5               | 7.5  | $\phi 5.6$ | $\phi 3.8$ |         |
| * LED-8               | 8.0  | $\phi 5.6$ | $\phi 3.8$ |         |
| LED-8.8               | 8.8  | $\phi 5.6$ | $\phi 3.8$ |         |
| LED-9.8               | 9.8  | $\phi 5.6$ | $\phi 3.8$ |         |
| * LED-10A             | 10.0 | $\phi 5.9$ | $\phi 3.9$ |         |
| * LED-11A             | 11.2 | $\phi 5.8$ | $\phi 3.9$ |         |
| LED-12                | 12.0 | $\phi 5.8$ | $\phi 3.9$ |         |
| LED-15                | 15.1 | $\phi 5.6$ | $\phi 3.9$ |         |
| * LED-17              | 17.1 | $\phi 5.6$ | $\phi 3.9$ |         |
| LED-18.5              | 18.5 | $\phi 5.7$ | $\phi 3.9$ |         |
| LED-24                | 24.1 | $\phi 5.8$ | $\phi 3.9$ |         |
| LED-37                | 37.5 | $\phi 5.8$ | $\phi 3.9$ |         |
|                       |      |            |            | 1000    |
|                       |      |            |            | 500     |



## LED 套 LED HOLDER

- MATERIAL: NYLON 66(UL)
- FLAME CLASS: 94V-2
- COLOR: NATURAL

| FOR $\phi 5$ 2PIN LED |      |            |     |         |
|-----------------------|------|------------|-----|---------|
| PART NO               | A    | B          | C   | PACKAGE |
| LED-4T                | 4.0  | $\phi 5.0$ | 4.0 | 2000    |
| LED-4DT               | 4.0  | $\phi 4.2$ | 3.0 |         |
| LED-6T                | 6.0  | $\phi 5.0$ | 4.0 |         |
| LED-7T                | 7.0  | $\phi 5.0$ | 4.0 |         |
| LED-8T                | 8.0  | $\phi 5.0$ | 4.0 |         |
| LED-10T               | 10.0 | $\phi 5.0$ | 4.0 |         |
| LED-11T               | 11.0 | $\phi 5.0$ | 4.0 | 1000    |
| LED-12T               | 12.0 | $\phi 5.1$ | 4.0 |         |
| LED-12AT              | 12.5 | $\phi 5.0$ | 4.0 |         |
| LED-13T               | 13.0 | $\phi 5.0$ | 4.0 |         |
| LED-14T               | 14.0 | $\phi 5.0$ | 4.0 |         |
| LED-14FT              | 14.5 | $\phi 5.0$ | 4.0 |         |
| LED-15T               | 15.0 | $\phi 5.0$ | 4.0 |         |
| LED-17T               | 17.1 | $\phi 5.6$ | 4.6 |         |
| LED-18T               | 18.3 | $\phi 5.0$ | 4.0 |         |
| LED-19T               | 19.0 | $\phi 5.0$ | 4.0 |         |
| LED-20T               | 20.0 | $\phi 5.0$ | 4.0 | 500     |
| LED-24T               | 24.0 | $\phi 5.0$ | 4.0 |         |
| LED-28T               | 28.0 | $\phi 5.0$ | 4.0 |         |

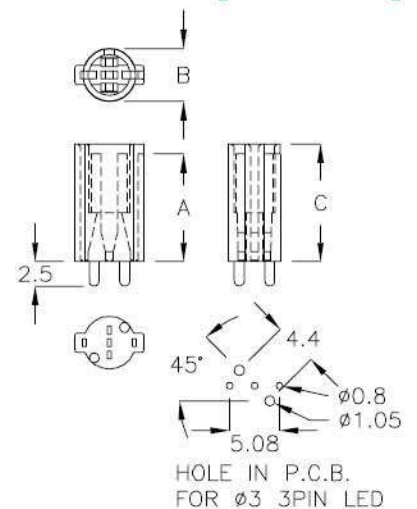
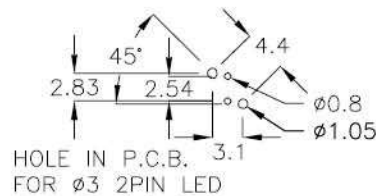


## LED 座 LED HOUSING

- MATERIAL: NYLON 66(UL)
- FLAME CLASS: 94V-2
- COLOR: BLACK

Built-in Clamp Function

| FOR $\phi 3$ 2PIN or 3PIN LED |      |            |      |         |
|-------------------------------|------|------------|------|---------|
| PART NO                       | A    | B          | C    | PACKAGE |
| EQA-07                        | 7.0  | $\phi 5.4$ | 12.0 | 1000    |
| EQA-11                        | 11.0 | $\phi 5.4$ | 12.0 |         |

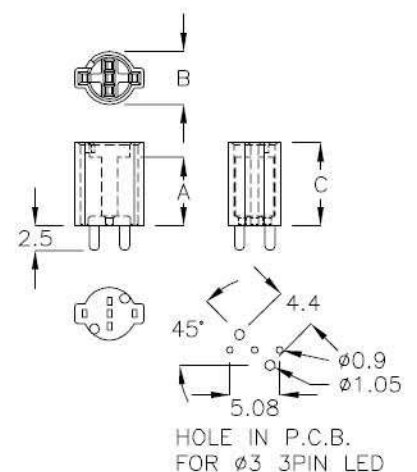
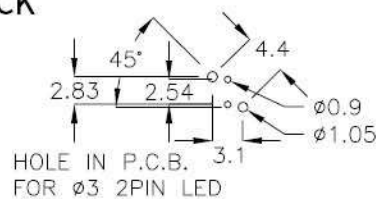


## LED 座 LED HOUSING

- MATERIAL: NYLON 66(UL)
- FLAME CLASS: 94V-2
- COLOR: BLACK

Built-in Clamp Function

| FOR $\phi 3$ 2PIN or 3PIN LED |     |            |     |         |
|-------------------------------|-----|------------|-----|---------|
| PART NO                       | A   | B          | C   | PACKAGE |
| EQA-7PQ                       | 7.0 | $\phi 5.4$ | 8.5 | 1000    |

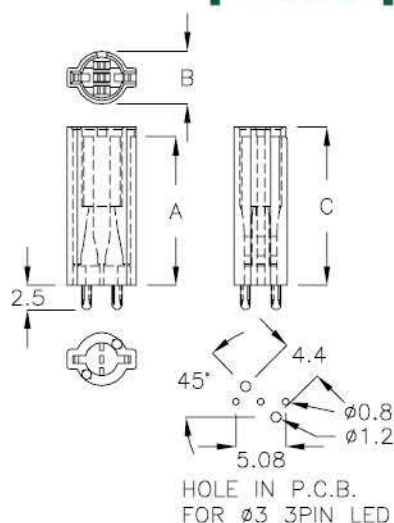
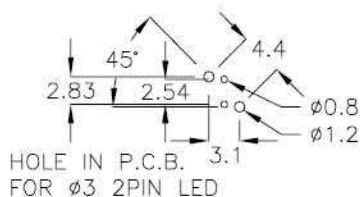




## LED 座 LED HOUSING

4-55-1

- MATERIAL: NYLON 66(UL)
- FLAME CLASS: 94V-2
- COLOR: NATURAL



Built-In Clamp Function

| FOR ø3 2PIN or 3PIN LED |      |      |      |         |
|-------------------------|------|------|------|---------|
| PART NO                 | A    | B    | C    | PACKAGE |
| EQF-19                  | 19.0 | ø5.4 | 20.0 | 1000    |

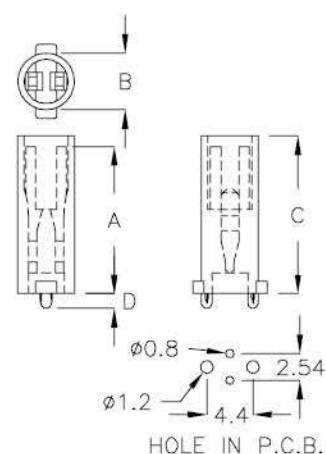


## LED 座 LED HOUSING

4-55-2

- MATERIAL: NYLON 66(UL)
- FLAME CLASS: 94V-2
- COLOR: NATURAL

| FOR ø3 2PIN LED |      |      |      |     |         |
|-----------------|------|------|------|-----|---------|
| PART NO         | A    | B    | C    | D   | PACKAGE |
| EQH-14          | 14.0 | ø5.4 | 15.0 | 1.4 | 1000    |
| EQH-17          | 17.0 | ø5.4 | 18.0 | 1.8 |         |
| EQH-21          | 21.0 | ø5.4 | 22.0 | 1.8 |         |

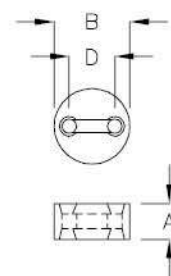


## LED 套 LED HOLDER

4-55-3

- MATERIAL: NYLON 66(UL)
- FLAME CLASS: 94V-2
- COLOR: NATURAL

| FOR ø3 2PIN LED |     |      |      |         |
|-----------------|-----|------|------|---------|
| PART NO         | A   | B    | D    | PACKAGE |
| LED3-2A         | 2.0 | ø4.2 | 2.54 | 2000    |



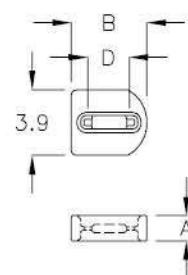
## LED 套 LED HOLDER

4-55-4

- MATERIAL: NYLON 66(UL)
- FLAME CLASS: 94V-2
- COLOR: NATURAL

Built-In Clamp Function

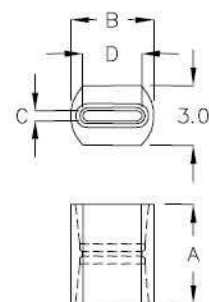
| FOR ø3 2PIN LED |     |     |      |         |
|-----------------|-----|-----|------|---------|
| PART NO         | A   | B   | D    | PACKAGE |
| LED3-1SQ        | 1.5 | 4.5 | 2.54 | 2000    |



**LED 套 LED HOLDER****4-56-1**

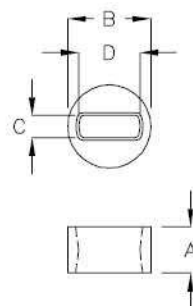
- MATERIAL: NYLON 66(UL)
- FLAME CLASS: 94V-2
- COLOR: NATURAL, BLACK

| FOR $\phi 3$ 2PIN LED |     |            |     |     |         |
|-----------------------|-----|------------|-----|-----|---------|
| PART NO               | A   | B          | C   | D   | PACKAGE |
| LED3-1D               | 1.5 | $\phi 4.2$ | 0.5 | 3.0 | 2000    |
| LED3-5GW              | 5.0 | $\phi 4.2$ | 0.5 | 3.0 |         |
| LED3-9K               | 9.0 | $\phi 4.2$ | 0.5 | 3.0 |         |

**LED 套 LED HOLDER****4-56-2**

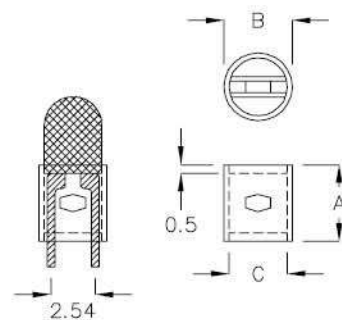
- MATERIAL: NYLON 66(UL)
- FLAME CLASS: 94V-2
- COLOR: NATURAL, BLACK

| FOR $\phi 3$ 2PIN LED |     |            |      |      |         |
|-----------------------|-----|------------|------|------|---------|
| PART NO               | A   | B          | C    | D    | PACKAGE |
| LED3-1A               | 1.5 | $\phi 4.2$ | 0.8  | 3.0  | 2000    |
| LED3-1B               | 1.6 | $\phi 4.0$ | 0.7  | 3.05 |         |
| LED3-1C               | 0.8 | $\phi 4.2$ | 1.0  | 3.0  |         |
| LED3-2B               | 2.3 | $\phi 4.2$ | 1.1  | 3.05 |         |
| LED3-2.5              | 2.5 | $\phi 4.1$ | 1.25 | 3.05 |         |
| LED3-3B               | 3.3 | $\phi 4.2$ | 1.0  | 3.05 |         |

**LED 套 LED HOLDER****4-56-3**

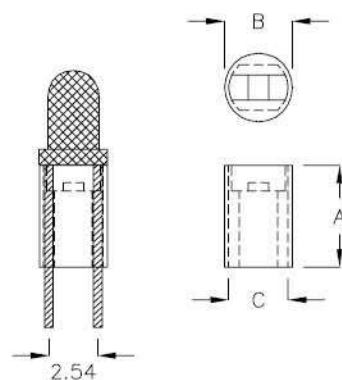
- MATERIAL: NYLON 66(UL)
- FLAME CLASS: 94V-2
- COLOR: NATURAL

| FOR $\phi 3$ 2PIN LED |     |            |            |         |
|-----------------------|-----|------------|------------|---------|
| PART NO               | A   | B          | C          | PACKAGE |
| LED3-4M               | 4.6 | $\phi 4.2$ | $\phi 3.4$ | 2000    |

**LED 套 LED HOLDER****4-56-4**

- MATERIAL: NYLON 66(UL)
- FLAME CLASS: 94V-2
- COLOR: NATURAL

| FOR $\phi 3$ 2PIN LED |     |            |            |         |
|-----------------------|-----|------------|------------|---------|
| PART NO               | A   | B          | C          | PACKAGE |
| LED3-4DK              | 4.0 | $\phi 4.0$ | $\phi 3.5$ | 2000    |
| LED3-6DC              | 6.0 | $\phi 4.0$ | $\phi 3.2$ |         |
| LED3-7K               | 7.5 | $\phi 4.0$ | $\phi 3.3$ |         |



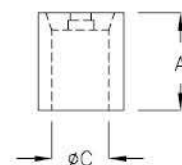
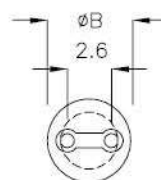


## LED 套 LED HOLDER

4-57-1

- MATERIAL: NYLON 66(UL)
- FLAME CLASS: 94V-2
- COLOR: NATURAL

| FOR $\phi 3$ 2PIN LED |     |     |     |         |
|-----------------------|-----|-----|-----|---------|
| PART NO               | A   | B   | C   | PACKAGE |
| LED-3.8               | 3.8 | 4.1 | 3.1 | 2000    |
| LED-4A                | 4.1 | 4.1 | 3.1 |         |



## LED 套 LED HOLDER

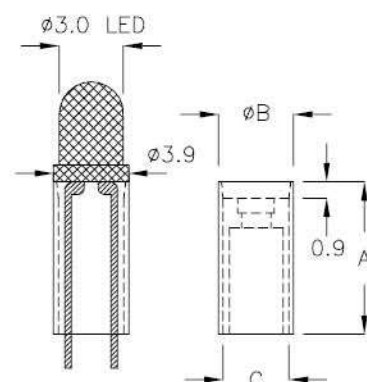
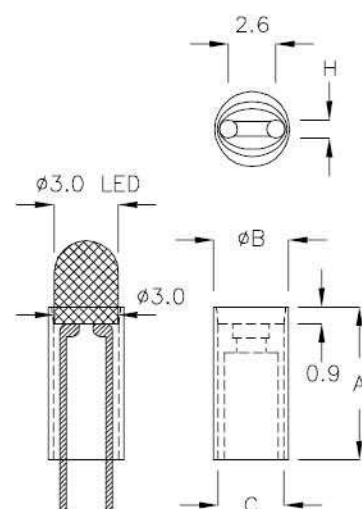
4-57-2

- MATERIAL: NYLON 66(UL)
- FLAME CLASS: 94V-2
- COLOR: NATURAL

| FOR $\phi 3$ 2PIN LED |      |     |     |         |
|-----------------------|------|-----|-----|---------|
| PART NO               | A    | B   | C   | PACKAGE |
| LED3-3S               | 2.8  | 4.2 | 3.5 | 2000    |
| LED3-3                | 3.0  | 4.2 | 3.5 |         |
| LED3-3A               | 3.5  | 4.2 | 3.5 |         |
| *LED3-4               | 4.0  | 4.2 | 3.5 |         |
| LED3-4A               | 4.5  | 4.2 | 3.5 |         |
| LED3-5                | 5.0  | 4.2 | 3.5 |         |
| LED3-5B               | 5.5  | 4.2 | 3.5 |         |
| LED3-6                | 6.1  | 4.2 | 3.5 |         |
| *LED3-6B              | 6.5  | 4.2 | 3.5 |         |
| LED3-7                | 7.0  | 4.2 | 3.5 |         |
| LED3-7B               | 7.6  | 4.2 | 3.5 |         |
| LED3-8                | 8.0  | 4.2 | 3.6 |         |
| LED3-8B               | 8.5  | 4.2 | 3.6 |         |
| LED3-9                | 9.0  | 4.2 | 3.6 |         |
| LED3-9A               | 9.2  | 4.2 | 3.6 |         |
| LED3-9B               | 9.5  | 4.2 | 3.6 |         |
| LED3-10               | 10.0 | 4.2 | 3.6 |         |
| LED3-11               | 11.1 | 4.2 | 3.5 |         |
| LED3-12               | 12.0 | 4.2 | 3.5 |         |
| *LED3-12B             | 12.5 | 4.2 | 3.6 |         |
| LED3-13               | 13.0 | 4.2 | 3.5 |         |
| LED3-14               | 14.0 | 4.2 | 3.6 |         |
| *LED3-15              | 15.0 | 4.2 | 3.5 |         |
| LED3-15A              | 15.0 | 4.1 | 3.6 |         |
| LED3-16               | 16.0 | 4.2 | 3.5 |         |
| *LED3-17              | 17.0 | 4.2 | 3.5 |         |
| LED3-18               | 18.0 | 4.2 | 3.5 |         |
| *LED3-18B             | 18.5 | 4.2 | 3.5 |         |
| LED3-19               | 19.0 | 4.2 | 3.5 |         |
| *LED3-20              | 20.0 | 4.2 | 3.5 |         |
| *LED3-21              | 21.0 | 4.2 | 3.5 |         |
| *LED3-22              | 22.0 | 4.2 | 3.5 |         |
| LED3-23               | 23.0 | 4.2 | 3.5 |         |
| LED3-25               | 25.0 | 4.4 | 3.5 |         |
|                       |      |     |     | 1000    |

\*表示 LED 套的H位置為橢圓孔

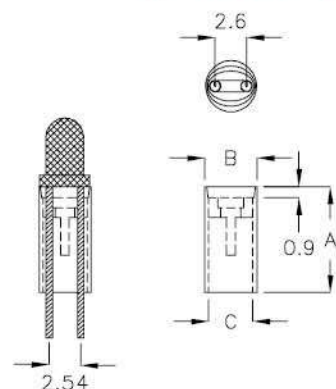
\* LED HOLDER WITH AN OVAL HOLE "H"



**LED 套 LED HOLDER**

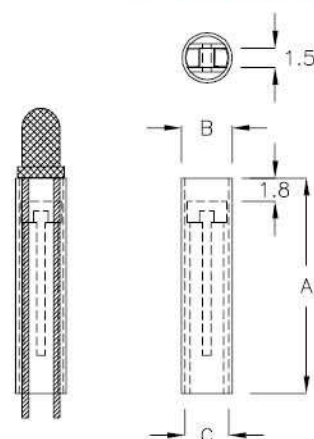
- MATERIAL: NYLON 66(UL)
- FLAME CLASS: 94V-2
- COLOR: NATURAL

| FOR $\phi 3$ 2PIN LED |     |            |            |         |
|-----------------------|-----|------------|------------|---------|
| PART NO               | A   | B          | C          | PACKAGE |
| LED3-8F               | 8.5 | $\phi 4.2$ | $\phi 3.6$ | 2000    |

**4-58-1****LED 套 LED HOLDER**

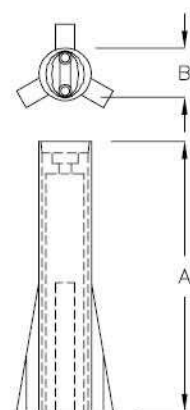
- MATERIAL: NYLON 66(UL)
- FLAME CLASS: 94V-2
- COLOR: NATURAL

| FOR $\phi 3$ 2PIN LED |      |            |            |         |
|-----------------------|------|------------|------------|---------|
| PART NO               | A    | B          | C          | PACKAGE |
| LED3-17K              | 17.1 | $\phi 4.0$ | $\phi 3.5$ | 1000    |

**4-58-2****LED 套 LED HOLDER**

- MATERIAL: NYLON 66(UL)
- FLAME CLASS: 94V-2
- COLOR: NATURAL

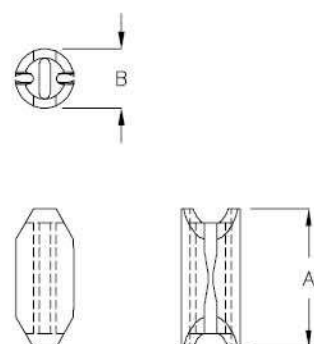
| FOR $\phi 3$ 2PIN LED |      |            |         |
|-----------------------|------|------------|---------|
| PART NO               | A    | B          | PACKAGE |
| LED3-21F              | 21.0 | $\phi 4.2$ | 1000    |

**4-58-3****LED 套 LED HOLDER**

- MATERIAL: NYLON 66(UL)
- FLAME CLASS: 94V-2
- COLOR: NATURAL

Built-In Clamp Function

| FOR $\phi 3$ 2PIN LED |      |             |         |
|-----------------------|------|-------------|---------|
| PART NO               | A    | B           | PACKAGE |
| EET-10                | 10.0 | $\phi 4.25$ | 2000    |

**4-58-4**



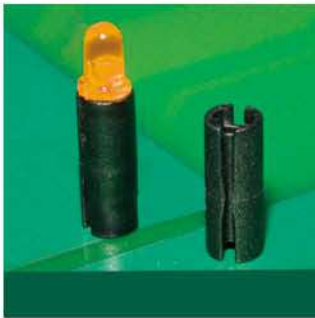
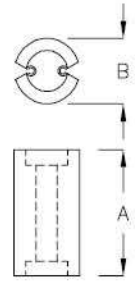
## LED 套 LED HOLDER

4-59-1

- MATERIAL: NYLON 66(UL)
- FLAME CLASS: 94V-2
- COLOR: NATURAL,BLACK

Built-In Clamp Function

| FOR $\phi 3$ & $\phi 5$ 2PIN LED |      |            |         |
|----------------------------------|------|------------|---------|
| PART NO                          | A    | B          | PACKAGE |
| EDG-10                           | 10.0 | $\phi 5.2$ | 2000    |



## LED 套 LED HOLDER

4-59-2

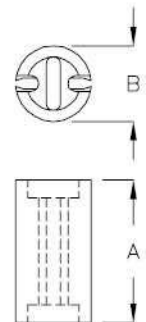
- MATERIAL: NYLON 66(UL)
- FLAME CLASS: 94V-2
- COLOR: NATURAL,BLACK

Built-In Clamp Function

| FOR $\phi 3$ or $\phi 5$ 2PIN LED |     |             |         |
|-----------------------------------|-----|-------------|---------|
| PART NO                           | A   | B           | PACKAGE |
| EDP-02                            | 2.0 | $\phi 4.25$ | 2000    |
| EDP-2M                            | 2.5 | $\phi 4.25$ |         |
| EDP-3M                            | 3.5 | $\phi 4.25$ |         |
| EDP-04                            | 4.0 | $\phi 4.25$ |         |
| EDP-4A                            | 4.5 | $\phi 4.25$ |         |
| EDP-05                            | 5.0 | $\phi 4.25$ |         |
| EDP-5A                            | 5.5 | $\phi 4.25$ |         |
| EDP-06                            | 6.0 | $\phi 4.25$ |         |

Built-In Clamp Function

| FOR $\phi 3$ or $\phi 5$ 2PIN LED |      |             |         |
|-----------------------------------|------|-------------|---------|
| PART NO                           | A    | B           | PACKAGE |
| EDP-6A                            | 6.5  | $\phi 4.25$ | 2000    |
| EDP-07                            | 7.0  | $\phi 4.25$ |         |
| EDP-7A                            | 7.5  | $\phi 4.25$ |         |
| EDP-08                            | 8.0  | $\phi 4.25$ |         |
| EDP-8A                            | 8.5  | $\phi 4.25$ |         |
| EDP-09                            | 9.0  | $\phi 4.25$ |         |
| EDP-9A                            | 9.5  | $\phi 4.25$ |         |
| EDP-10                            | 10.0 | $\phi 4.25$ |         |
| EDP-10A                           | 10.5 | $\phi 4.25$ |         |
| EDP-11                            | 11.0 | $\phi 4.25$ |         |
| EDP-11A                           | 11.5 | $\phi 4.25$ |         |
| EDP-12                            | 12.0 | $\phi 4.25$ |         |
| EDP-12A                           | 12.5 | $\phi 4.25$ |         |
| EDP-17                            | 17.0 | $\phi 4.25$ |         |



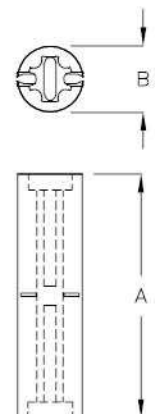
## LED 套 LED HOLDER

4-59-3

- MATERIAL: NYLON 66(UL)
- FLAME CLASS: 94V-2
- COLOR: NATURAL,BLACK

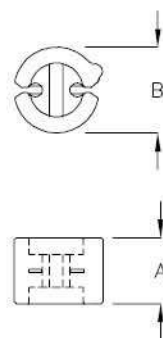
Built-In Clamp Function

| FOR $\phi 3$ & $\phi 5$ 2PIN LED |      |             |         |
|----------------------------------|------|-------------|---------|
| PART NO                          | A    | B           | PACKAGE |
| EDP-23                           | 23.0 | $\phi 4.25$ | 1000    |



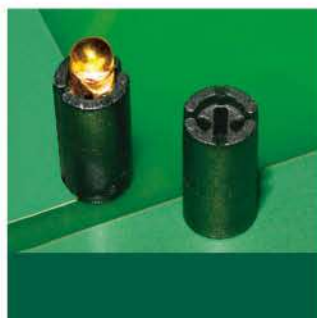
**LED 套 LED HOLDER****4-60-1**

- MATERIAL: NYLON 66(UL)
- FLAME CLASS: 94V-2
- COLOR: NATURAL, BLACK

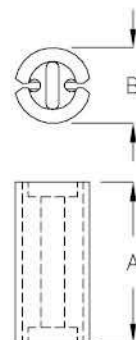


Built-In Clamp Function

| FOR $\phi 3$ & $\phi 5$ 2PIN LED |     |            |         |
|----------------------------------|-----|------------|---------|
| PART NO                          | A   | B          | PACKAGE |
| EDD-4FQ                          | 4.0 | $\phi 5.2$ | 2000    |

**LED 套 LED HOLDER****4-60-2**

- MATERIAL: NYLON 66(UL)
- FLAME CLASS: 94V-2
- COLOR: NATURAL, BLACK



Built-In Clamp Function

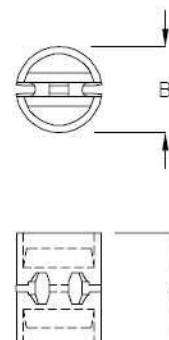
| FOR $\phi 3$ or $\phi 5$ 2PIN LED |      |            |         |
|-----------------------------------|------|------------|---------|
| PART NO                           | A    | B          | PACKAGE |
| EDG-06                            | 6.0  | $\phi 5.2$ | 2000    |
| EDG-6A                            | 6.5  | $\phi 5.2$ |         |
| EDG-07                            | 7.0  | $\phi 5.2$ |         |
| EDG-7A                            | 7.5  | $\phi 5.2$ |         |
| EDG-08                            | 8.0  | $\phi 5.2$ |         |
| EDG-8A                            | 8.5  | $\phi 5.2$ |         |
| EDG-09                            | 9.0  | $\phi 5.2$ |         |
| EDG-9A                            | 9.5  | $\phi 5.2$ |         |
| EDG-10A                           | 10.0 | $\phi 5.2$ |         |
| EDG-10C                           | 10.5 | $\phi 5.2$ |         |
| EDG-11                            | 11.0 | $\phi 5.2$ |         |
| EDG-11A                           | 11.5 | $\phi 5.2$ |         |
| EDG-12                            | 12.0 | $\phi 5.2$ |         |
| EDG-12A                           | 12.5 | $\phi 5.2$ |         |

Built-In Clamp Function

| FOR $\phi 3$ or $\phi 5$ 2PIN LED |     |            |         |
|-----------------------------------|-----|------------|---------|
| PART NO                           | A   | B          | PACKAGE |
| EDG-02                            | 2.0 | $\phi 5.2$ | 2000    |
| EDG-2M                            | 2.5 | $\phi 5.2$ |         |
| EDG-3M                            | 3.5 | $\phi 5.2$ |         |
| EDG-04                            | 4.0 | $\phi 5.2$ |         |
| EDG-4A                            | 4.5 | $\phi 5.2$ |         |
| EDG-05                            | 5.0 | $\phi 5.2$ |         |
| EDG-5A                            | 5.5 | $\phi 5.2$ |         |

**LED 套 LED HOLDER****4-60-3**

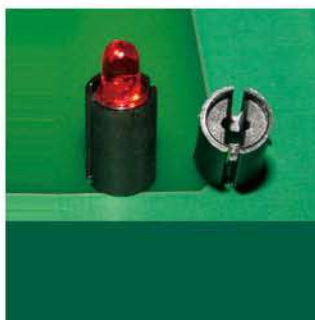
- MATERIAL: NYLON 66(UL)
- FLAME CLASS: 94V-2
- COLOR: NATURAL, BLACK



Built-In Clamp Function

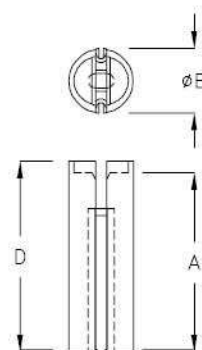
| FOR $\phi 3$ 3PIN LED |     |            |         |
|-----------------------|-----|------------|---------|
| PART NO               | A   | B          | PACKAGE |
| ECW-06                | 7.0 | $\phi 5.4$ | 2000    |



**LED 套 LED HOLDER****4-61-1**

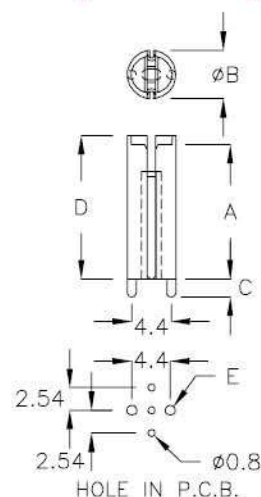
- MATERIAL: NYLON 66(UL)
- FLAME CLASS: 94V-2
- COLOR: BLACK

| FOR $\phi 3$ 3PIN LED |      |            |      |         |  |
|-----------------------|------|------------|------|---------|--|
| PART NO               | A    | B          | D    | PACKAGE |  |
| EEP-15                | 15.0 | $\phi 5.4$ | 16.0 | 2000    |  |

**LED 套 LED HOLDER****4-61-2**

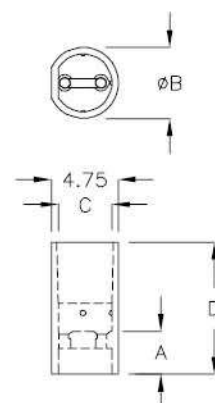
- MATERIAL: NYLON 66(UL)
- FLAME CLASS: 94V-2
- COLOR: BLACK

| FOR $\phi 3$ 3PIN LED |      |            |     |      |             |         |
|-----------------------|------|------------|-----|------|-------------|---------|
| PART NO               | A    | B          | C   | D    | E           | PACKAGE |
| EEG-08                | 7.0  | $\phi 5.4$ | 1.5 | 8.0  | $\phi 1.05$ | 2000    |
| EEG-15                | 15.0 | $\phi 5.4$ | 2.0 | 16.0 | $\phi 1.10$ | 1000    |

**LED 套 LED HOLDER****4-61-3**

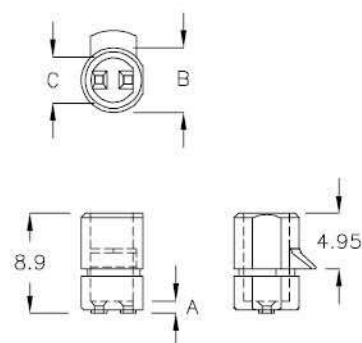
- MATERIAL: NYLON 66(UL)
- FLAME CLASS: 94V-2
- COLOR: BLACK

| FOR $\phi 3$ 2PIN LED |     |            |            |      |         |
|-----------------------|-----|------------|------------|------|---------|
| PART NO               | A   | B          | C          | D    | PACKAGE |
| QLW-02                | 2.0 | $\phi 5.0$ | $\phi 4.1$ | 7.9  | 2000    |
| QLW-2A                | 2.0 | $\phi 5.0$ | $\phi 4.1$ | 6.6  |         |
| QLW-03                | 4.5 | $\phi 5.0$ | $\phi 4.1$ | 10.0 |         |

**LED 套 LED HOLDER****4-61-4**

- MATERIAL: NYLON 66(UL)
- FLAME CLASS: 94V-2
- COLOR: BLACK

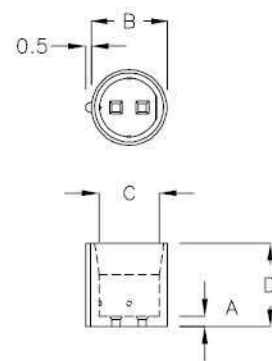
| FOR $\phi 3$ 2PIN LED |     |            |            |         |
|-----------------------|-----|------------|------------|---------|
| PART NO               | A   | B          | C          | PACKAGE |
| QQA-3AD               | 1.1 | $\phi 5.8$ | $\phi 4.1$ | 2000    |



**LED 套 LED HOLDER**

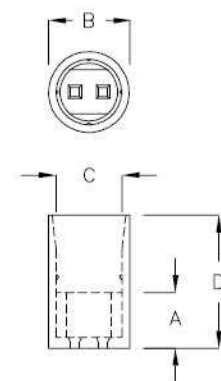
- MATERIAL: NYLON 66(UL)
- FLAME CLASS: 94V-2
- COLOR: BLACK

| FOR $\phi 5$ 2PIN LED |     |            |            |     |         |
|-----------------------|-----|------------|------------|-----|---------|
| PART NO               | A   | B          | C          | D   | PACKAGE |
| QLS-1A                | 1.0 | $\phi 7.4$ | $\phi 5.9$ | 8.0 | 2000    |

**LED 套 LED HOLDER**

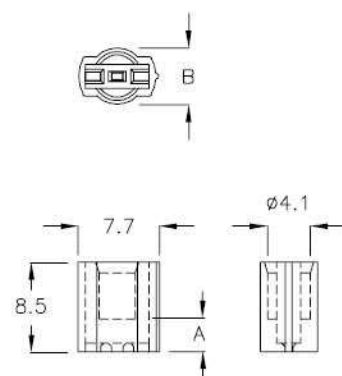
- MATERIAL: NYLON 66(UL)
- FLAME CLASS: 94V-2
- COLOR: BLACK

| FOR $\phi 5$ 2PIN LED |     |            |            |      |         |
|-----------------------|-----|------------|------------|------|---------|
| PART NO               | A   | B          | C          | D    | PACKAGE |
| QLS-05                | 5.0 | $\phi 7.4$ | $\phi 6.0$ | 12.0 | 2000    |

**LED 套 LED HOLDER**

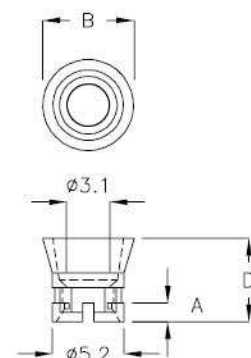
- MATERIAL: NYLON 66(UL)
- FLAME CLASS: 94V-2
- COLOR: BLACK

| FOR $\phi 3$ 3PIN LED |     |            |         |
|-----------------------|-----|------------|---------|
| PART NO               | A   | B          | PACKAGE |
| QBU-03                | 3.1 | $\phi 5.4$ | 2000    |

**LED 套 LED HOLDER**

- MATERIAL: NYLON 66(UL)
- FLAME CLASS: 94V-2
- COLOR: BLACK

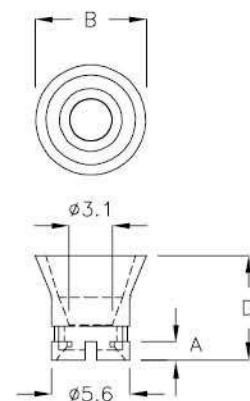
| FOR $\phi 3$ 3PIN LED |      |            |     |         |
|-----------------------|------|------------|-----|---------|
| PART NO               | A    | B          | D   | PACKAGE |
| QLH-01                | 1.35 | $\phi 6.6$ | 6.0 | 2000    |



**LED 套 LED HOLDER****4-63-1**

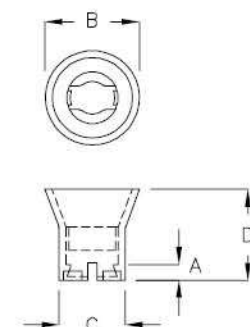
- MATERIAL: NYLON 66(UL)
- FLAME CLASS: 94V-2
- COLOR: BLACK

| FOR $\phi 3$ 3PIN LED |      |            |     |         |  |
|-----------------------|------|------------|-----|---------|--|
| PART NO               | A    | B          | D   | PACKAGE |  |
| QLH-2A                | 1.35 | $\phi 8.0$ | 7.5 | 2000    |  |

**LED 套 LED HOLDER****4-63-2**

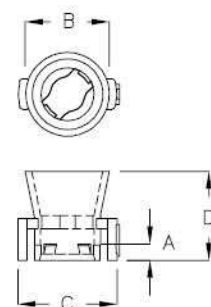
- MATERIAL: NYLON 66(UL)
- FLAME CLASS: 94V-2
- COLOR: BLACK

| FOR $\phi 3$ 3PIN LED |     |            |            |     |         |
|-----------------------|-----|------------|------------|-----|---------|
| PART NO               | A   | B          | C          | D   | PACKAGE |
| QLM-3AF               | 1.3 | $\phi 8.0$ | $\phi 5.6$ | 7.7 | 2000    |
| QLM-3CP               | 1.3 | $\phi 6.6$ | $\phi 5.2$ | 6.0 |         |

**LED 座 LED HOUSING****4-63-3**

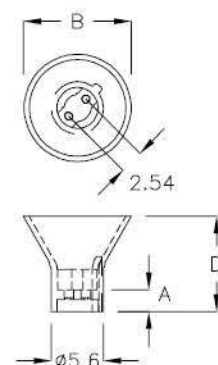
- MATERIAL: NYLON 66(UL)
- FLAME CLASS: 94V-2
- COLOR: BLACK

| FOR $\phi 3$ 3PIN LED |     |            |     |     |         |
|-----------------------|-----|------------|-----|-----|---------|
| PART NO               | A   | B          | C   | D   | PACKAGE |
| QLP-3CA               | 1.3 | $\phi 8.0$ | 8.4 | 7.7 | 2000    |
| QLP-3FG               | 1.3 | $\phi 6.6$ | 7.8 | 7.0 |         |

**LED 座 LED HOUSING****4-63-4**

- MATERIAL: NYLON 66(UL)
- FLAME CLASS: 94V-2
- COLOR: BLACK

| FOR $\phi 3$ 2PIN LED |      |      |      |         |
|-----------------------|------|------|------|---------|
| PART NO               | A    | B    | D    | PACKAGE |
| QLR-3KH               | 2.35 | 11.5 | 10.2 | 2000    |



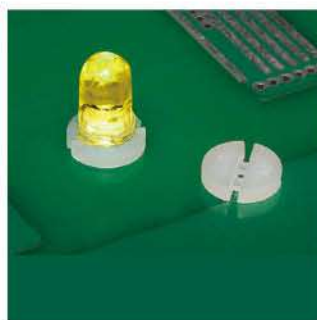
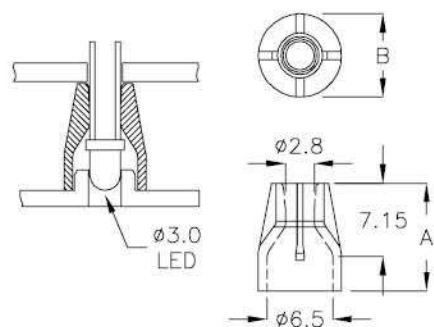


## LED 套 LED HOLDER

4-64-1

- MATERIAL: TPE
- COLOR: BLACK

| FOR $\phi 3$ 2PIN LED |      |            |         |
|-----------------------|------|------------|---------|
| PART NO               | A    | B          | PACKAGE |
| MTD-13HK              | 10.5 | $\phi 8.1$ | 1000    |

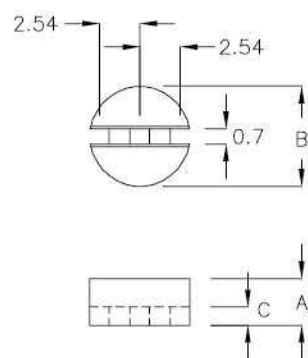


## LED 套 LED HOLDER

4-64-2

- MATERIAL: NYLON 66(UL)
- FLAME CLASS: 94V-2
- COLOR: NATURAL

| FOR $\phi 5$ 3PIN LED |     |            |     |         |
|-----------------------|-----|------------|-----|---------|
| PART NO               | A   | B          | C   | PACKAGE |
| LED-1x3A              | 1.6 | $\phi 7.4$ | 0.5 | 2000    |

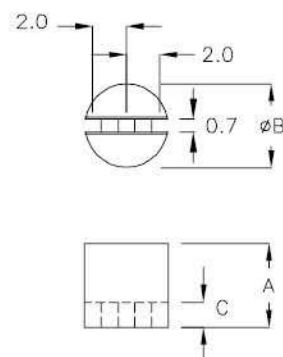


## LED 套 LED HOLDER

4-64-3

- MATERIAL: NYLON 66(UL)
- FLAME CLASS: 94V-2
- COLOR: NATURAL

| FOR $\phi 3$ 3PIN LED |      |     |     |         |
|-----------------------|------|-----|-----|---------|
| PART NO               | A    | B   | C   | PACKAGE |
| LED-3x3A              | 3.0  | 5.0 | 1.0 | 2000    |
| LED-4x3A              | 4.0  | 5.0 | 1.0 |         |
| LED-5x3A              | 5.0  | 5.0 | 1.5 |         |
| LED-5Cx3A             | 5.5  | 5.0 | 1.5 | 1000    |
| LED-14x3A             | 14.0 | 5.0 | 9.0 |         |

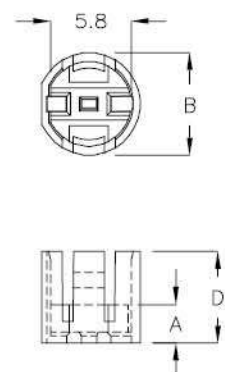


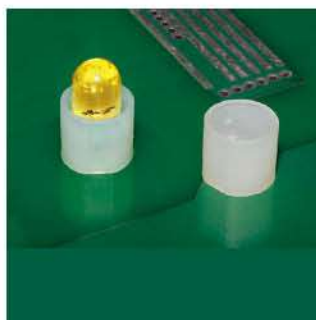
## LED 套 LED HOLDER

4-64-4

- MATERIAL: NYLON 66(UL)
- FLAME CLASS: 94V-2
- COLOR: NATURAL

| FOR $\phi 5$ 3PIN LED |     |            |     |         |
|-----------------------|-----|------------|-----|---------|
| PART NO               | A   | B          | D   | PACKAGE |
| QLF-3A                | 2.8 | $\phi 7.1$ | 6.6 | 2000    |

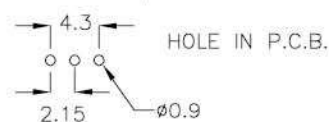
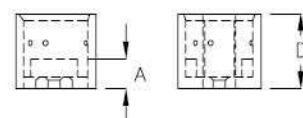
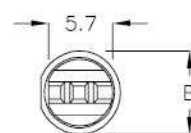




## LED 套 LED HOLDER ————— 4-65-1 |

- MATERIAL: NYLON 66(UL)
- FLAME CLASS: 94V-2
- COLOR: NATURAL

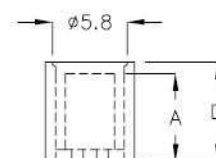
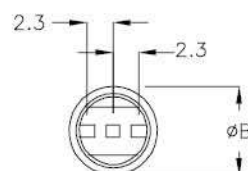
| FOR $\phi 5$ 3PIN LED |     |            |     |         |
|-----------------------|-----|------------|-----|---------|
| PART NO               | A   | B          | D   | PACKAGE |
| LED-2Mx3              | 2.6 | $\phi 7.4$ | 6.6 | 1000    |



## LED 套 LED HOLDER ————— 4-65-2 |

- MATERIAL: NYLON 66(UL)
- FLAME CLASS: 94V-2
- COLOR: NATURAL

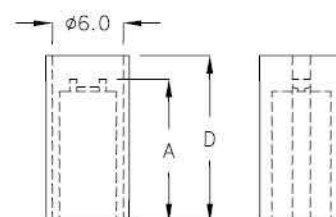
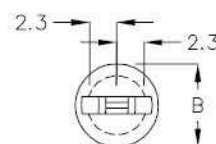
| FOR $\phi 5$ 3PIN LED |      |     |      |         |
|-----------------------|------|-----|------|---------|
| PART NO               | A    | B   | D    | PACKAGE |
| LED-5Sx3              | 5.0  | 7.4 | 6.0  | 2000    |
| LED-4Sx3              | 4.4  | 7.4 | 6.0  |         |
| LED-5x3               | 5.5  | 7.4 | 6.5  | 1000    |
| LED-5Kx3              | 5.0  | 7.4 | 7.7  |         |
| LED-7x3               | 7.0  | 7.5 | 8.1  |         |
| LED-8x3               | 8.0  | 7.4 | 9.0  |         |
| LED-8Mx3              | 8.5  | 7.4 | 9.5  | 500     |
| LED-10x3              | 10.5 | 7.4 | 11.5 |         |
| LED-16x3              | 13.8 | 7.2 | 16.0 |         |

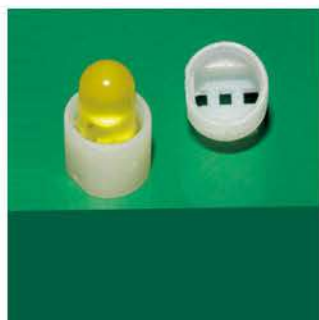


## LED 套 LED HOLDER ————— 4-65-3 |

- MATERIAL: NYLON 66(UL)
- FLAME CLASS: 94V-2
- COLOR: NATURAL

| FOR $\phi 5$ 3PIN LED |      |            |      |         |
|-----------------------|------|------------|------|---------|
| PART NO               | A    | B          | D    | PACKAGE |
| LED-14X3              | 12.0 | $\phi 7.0$ | 14.0 | 500     |



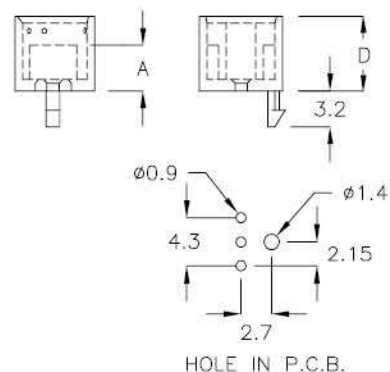


## LED 套 LED HOLDER

4-66-1

- MATERIAL: NYLON 66(UL)
- FLAME CLASS: 94V-2
- COLOR: NATURAL

| FOR $\phi 5$ 3PIN LED |     |            |     |         |
|-----------------------|-----|------------|-----|---------|
| PART NO               | A   | B          | D   | PACKAGE |
| LED-1Tx3              | 2.6 | $\phi 7.4$ | 6.6 | 1000    |
| LED-4Tx3              | 4.0 | $\phi 7.4$ | 6.7 |         |

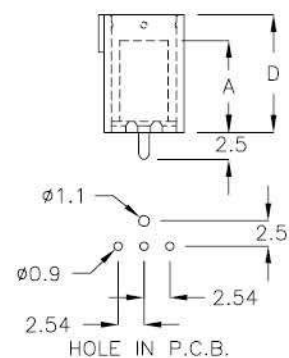
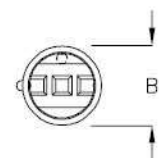


## LED 套 LED HOLDER

4-66-2

- MATERIAL: NYLON 66(UL)
- FLAME CLASS: 94V-2
- COLOR: NATURAL

| FOR $\phi 5$ 3PIN LED |     |            |      |         |
|-----------------------|-----|------------|------|---------|
| PART NO               | A   | B          | D    | PACKAGE |
| QBE-8M                | 8.5 | $\phi 7.5$ | 10.9 | 1000    |

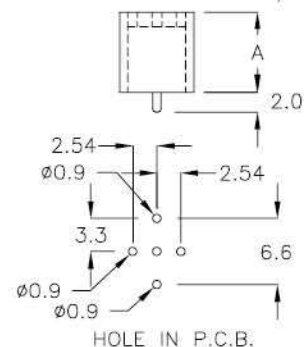
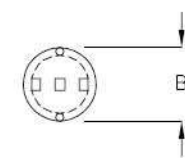


## LED 套 LED HOLDER

4-66-3

- MATERIAL: NYLON 66(UL)
- FLAME CLASS: 94V-2
- COLOR: NATURAL

| FOR $\phi 5$ 3PIN LED |     |            |         |
|-----------------------|-----|------------|---------|
| PART NO               | A   | B          | PACKAGE |
| QBK-08                | 8.0 | $\phi 7.4$ | 2000    |

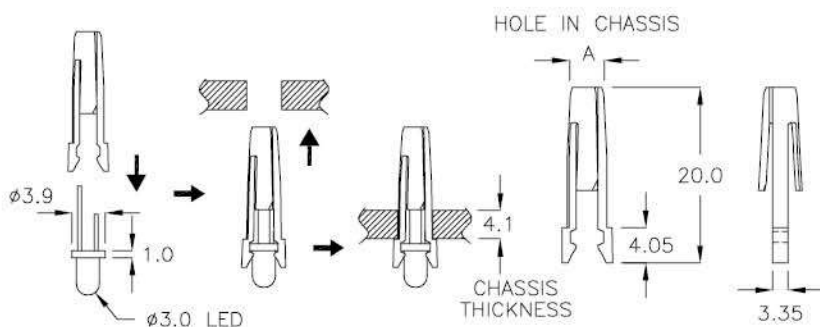




### 固定座 MOUNT

4-67-1

- MATERIAL: NYLON 66(UL)
- FLAME CLASS: 94V-2
- COLOR: BLACK



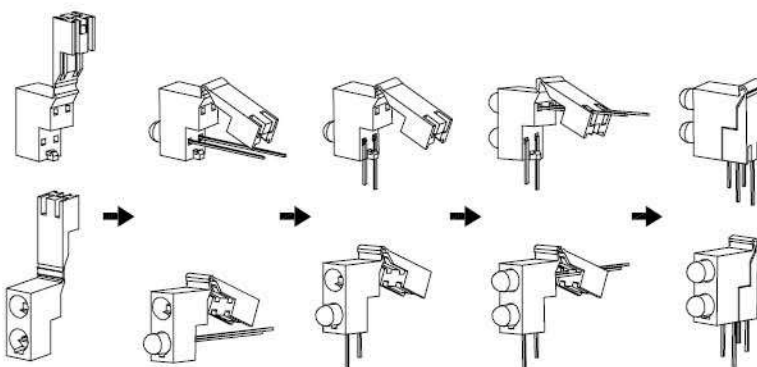
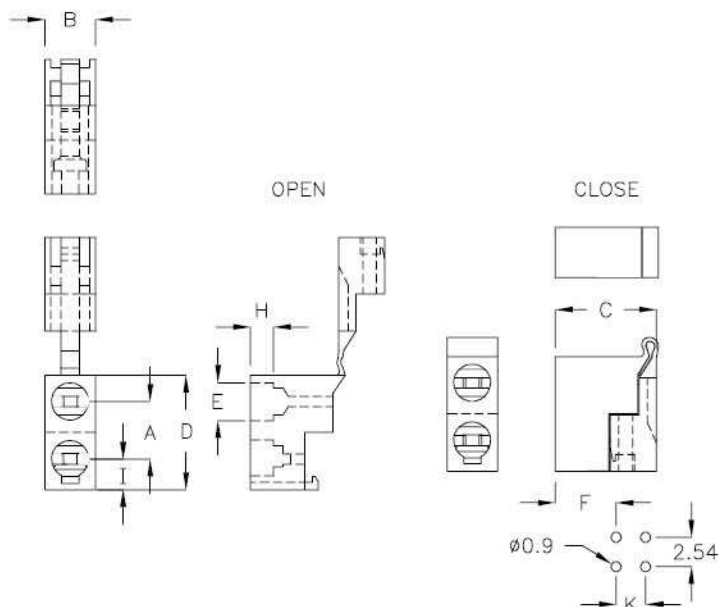
| PART NO | A HOLE IN CHASSIS | PACKAGE |
|---------|-------------------|---------|
| MTX-4JQ | φ4.5              | 1000    |



### LED座 LED HOUSING

4-67-2

- MATERIAL: NYLON 66(UL)
- FLAME CLASS: 94V-2
- COLOR: BLACK



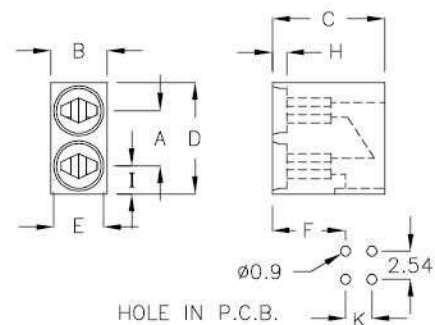
| PART NO | A   | B   | C   | D    | E    | F   | H   | I   | K   | SUITABLE LED | PACKAGE |
|---------|-----|-----|-----|------|------|-----|-----|-----|-----|--------------|---------|
| 2LED-3Q | 5.0 | 4.5 | 8.9 | 10.0 | φ3.3 | 5.3 | 2.0 | 2.7 | 2.6 | φ3 2PIN      | 1000    |



## LED 座 LED HOUSING

4-68-1

- MATERIAL: NYLON 66(UL)
- FLAME CLASS: 94V-2
- COLOR: BLACK



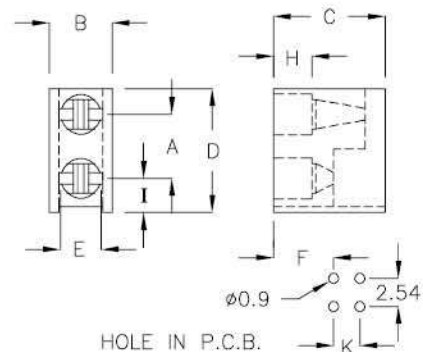
| PART NO | A   | B   | C    | D    | E    | F   | H   | I   | K   | SUITABLE LED | PACKAGE |
|---------|-----|-----|------|------|------|-----|-----|-----|-----|--------------|---------|
| 2LED-3  | 5.0 | 5.1 | 10.1 | 10.0 | ø3.9 | 7.1 | 1.3 | 2.5 | 2.6 | ø3 2PIN      | 1000    |



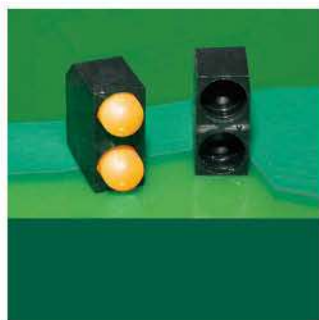
## LED 座 LED HOUSING

4-68-2

- MATERIAL: NYLON 66(UL)
- FLAME CLASS: 94V-2
- COLOR: BLACK



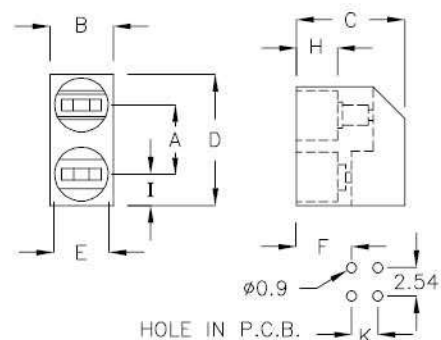
| PART NO | A   | B   | C    | D    | E    | F    | H   | I   | K    | SUITABLE LED | PACKAGE |
|---------|-----|-----|------|------|------|------|-----|-----|------|--------------|---------|
| 2LED-3A | 5.0 | 4.4 | 8.8  | 9.7  | ø3.2 | 5.2  | 2.0 | 2.7 | 2.5  | ø3 2PIN      | 1000    |
| 2LED-3B | 5.0 | 5.0 | 8.9  | 9.8  | ø3.2 | 5.2  | 3.0 | 2.7 | 2.5  | ø3 2PIN      |         |
| 2LED-3C | 5.0 | 5.0 | 10.1 | 9.6  | ø3.2 | 7.1  | 1.3 | 2.5 | 2.6  | ø3 2PIN      |         |
| 2LED-3D | 5.0 | 4.4 | 9.0  | 9.8  | ø3.4 | 5.45 | 1.5 | 2.6 | 2.55 | ø3 2PIN      |         |
| 2LED-3E | 5.0 | 4.4 | 9.0  | 9.8  | ø3.4 | 5.45 | 2.0 | 2.6 | 2.55 | ø3 2PIN      |         |
| 2LED-3P | 6.0 | 4.4 | 9.7  | 13.5 | ø3.3 | 6.2  | 2.0 | 5.0 | 2.55 | ø3 2PIN      |         |



## LED 座 LED HOUSING

4-68-3

- MATERIAL: NYLON 66(UL)
- FLAME CLASS: 94V-2
- COLOR: BLACK



| PART NO | A   | B   | C    | D    | E    | F   | K   | H   | I    | SUITABLE LED | PACKAGE |
|---------|-----|-----|------|------|------|-----|-----|-----|------|--------------|---------|
| 2LED-5  | 6.2 | 5.9 | 11.0 | 12.0 | ø5.0 | 6.1 | 2.4 | 4.2 | 2.85 | ø5 2PIN      | 500     |

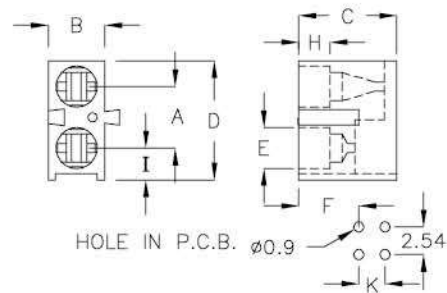




## LED 座 LED HOUSING

4-69-1

- MATERIAL: NYLON 66(UL)
- FLAME CLASS: 94V-2
- COLOR: BLACK

FOR  $\phi 3$  2PIN LED

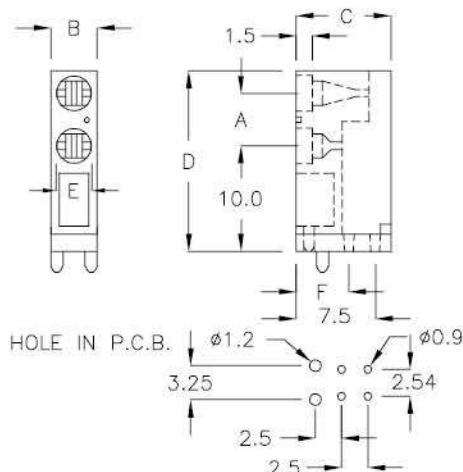
| PART NO | A   | B   | C   | D    | E           | F   | H   | I   | K   | PACKAGE |
|---------|-----|-----|-----|------|-------------|-----|-----|-----|-----|---------|
| 2LED-3F | 5.0 | 4.6 | 8.0 | 9.7  | $\phi 3.3$  | 5.1 | 2.6 | 2.6 | 2.4 | 1000    |
| 2LED-3H | 5.1 | 4.3 | 8.1 | 12.6 | $\phi 3.2$  | 4.8 | 2.0 | 4.6 | 2.6 |         |
| 2LED-3J | 5.0 | 4.4 | 9.0 | 9.7  | $\phi 3.35$ | 5.3 | 1.5 | 2.6 | 2.5 |         |



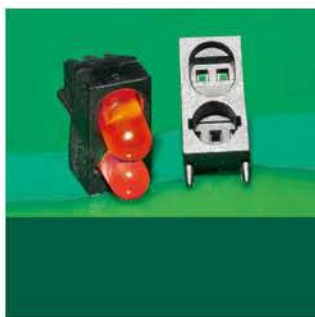
## LED 座 LED HOUSING

4-69-2

- MATERIAL: NYLON 66(UL)
- FLAME CLASS: 94V-2
- COLOR: BLACK

FOR  $\phi 3$  2PIN LED

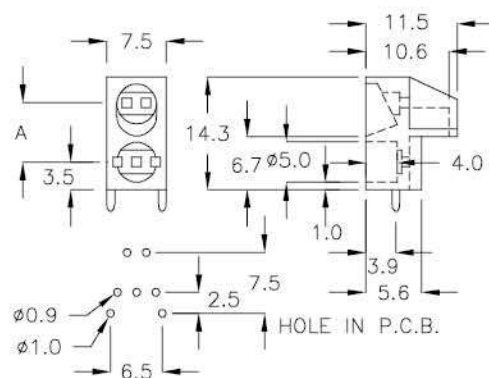
| PART NO | A   | B   | C   | D    | E          | F   | PACKAGE |
|---------|-----|-----|-----|------|------------|-----|---------|
| 2LED-3K | 5.0 | 4.4 | 9.0 | 17.1 | $\phi 3.4$ | 5.0 | 1000    |



## LED 座 LED HOUSING

4-69-3

- MATERIAL: NYLON 66(UL)
- FLAME CLASS: 94V-2
- COLOR: BLACK

FOR  $\phi 5$  2 PIN LED  
FOR  $\phi 5$  3 PIN LED

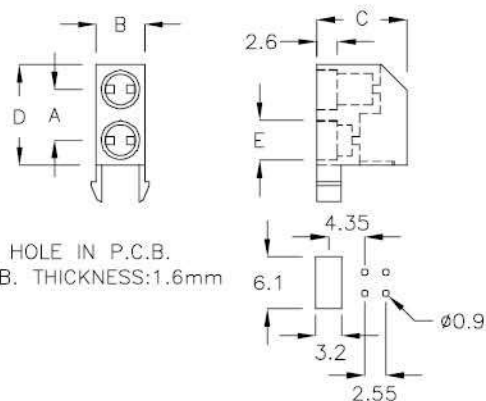
| PART NO | A    | PACKAGE |
|---------|------|---------|
| 2LED-5A | 7.45 | 500     |



## LED 座 LED HOUSING

4-70-1

- MATERIAL: PC(UL)
- FLAME CLASS: 94V-2
- COLOR: BLACK



Built-In Clamp Function

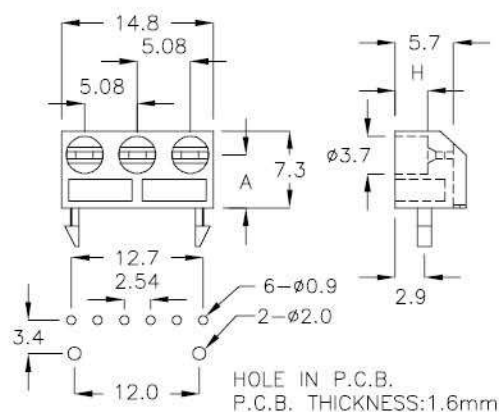
| PART NO | A   | B   | C    | D    | E    | SUITABLE LED | PACKAGE |
|---------|-----|-----|------|------|------|--------------|---------|
| 2LED-5C | 6.3 | 6.0 | 11.2 | 12.5 | Ø4.9 | Ø5 2PIN      | 500     |



## LED 座 LED HOUSING

4-70-2

- MATERIAL: NYLON 66(UL)
- FLAME CLASS: 94V-2
- COLOR: BLACK



Built-In Clamp Function

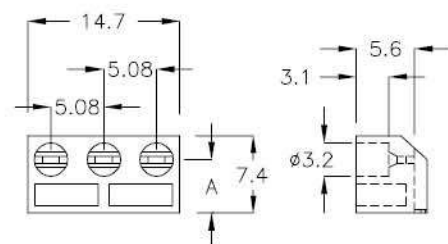
| FOR Ø3 2PIN LED |     |     |         |
|-----------------|-----|-----|---------|
| PART NO         | A   | H   | PACKAGE |
| 3LED-3AT        | 5.1 | 3.2 | 500     |
| 3LED-3BT        | 5.1 | 2.0 |         |



## LED 座 LED HOUSING

4-70-3

- MATERIAL: NYLON 66(UL)
- FLAME CLASS: 94V-2
- COLOR: BLACK



Built-In Clamp Function

| FOR Ø3 2PIN LED |     |         |
|-----------------|-----|---------|
| PART NO         | A   | PACKAGE |
| 3LED-3C         | 5.1 | 500     |



## LED 座 LED HOUSING

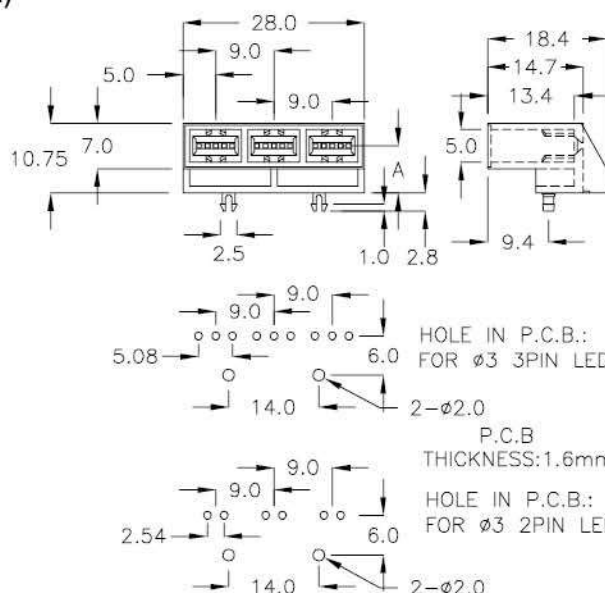
4-71-1

- MATERIAL: NYLON 66(UL)
- FLAME CLASS: 94V-2
- COLOR: BLACK

Built-In Clamp Function

FOR  $\phi 3$  2PIN/3PIN LED  
FOR QUADRATE 2PIN/3PIN LED

| PART NO | A    | PACKAGE |
|---------|------|---------|
| 3LED-3H | 7.25 | 500     |



## LED 座 LED HOUSING

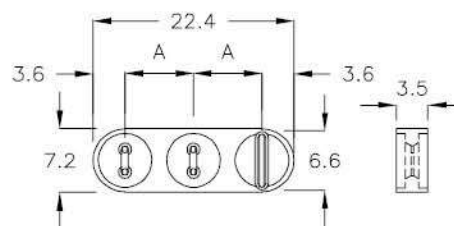
4-71-2

- MATERIAL: NYLON 66(UL)
- FLAME CLASS: 94V-2
- COLOR: BLACK

Built-In Clamp Function

FOR  $\phi 5$  3PIN LED x1  
 $\phi 5$  2PIN LED x2

| PART NO | A   | PACKAGE |
|---------|-----|---------|
| 3LED-7  | 7.6 | 1000    |



## LED 座 LED HOUSING

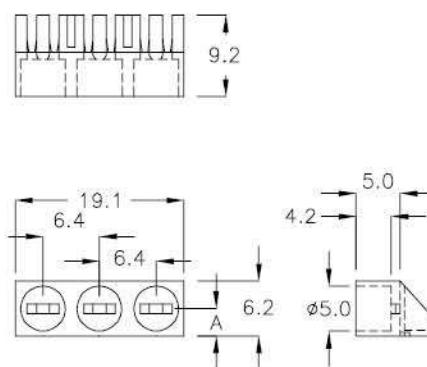
4-71-3

- MATERIAL: NYLON 66(UL)
- FLAME CLASS: 94V-2
- COLOR: BLACK

Built-In Clamp Function

FOR  $\phi 5$  2PIN LED

| PART NO | A   | PACKAGE |
|---------|-----|---------|
| 3LED-5  | 3.1 | 500     |

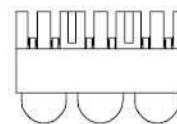




## LED 座 LED HOUSING

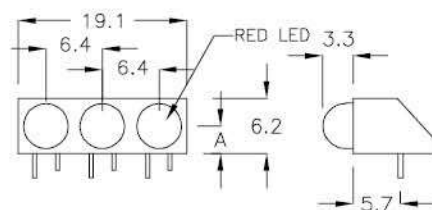
4-72-1

- MATERIAL: NYLON 66(UL)+RED LED
- FLAME CLASS: 94V-2
- COLOR: BLACK



Built-In Clamp Function

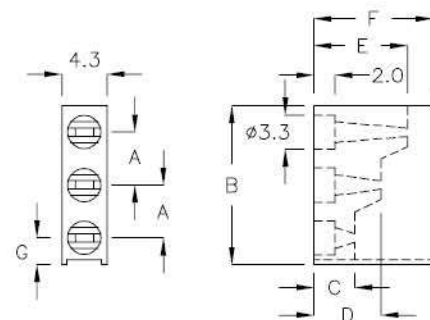
| FOR $\phi 5$ 2PIN LED |     |         |  |
|-----------------------|-----|---------|--|
| PART NO               | A   | PACKAGE |  |
| 3LED-5-R              | 3.1 | 500     |  |



## LED 座 LED HOUSING

4-72-2

- MATERIAL: NYLON 66(UL)
- FLAME CLASS: 94V-2
- COLOR: BLACK



Built-In Clamp Function

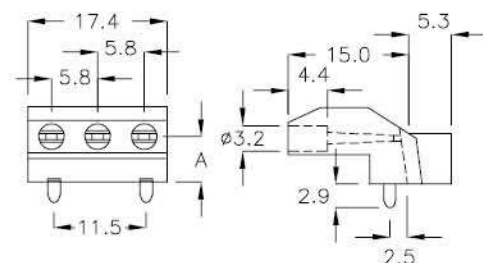
| FOR $\phi 3$ 2PIN LED |      |       |     |      |      |       |      |         |
|-----------------------|------|-------|-----|------|------|-------|------|---------|
| PART NO               | A    | B     | C   | D    | E    | F     | G    | PACKAGE |
| 3LED-3                | 5.08 | 15.25 | 3.9 | 6.45 | 9.0  | 11.45 | 2.50 | 500     |
| 3LED-3E               | 6.0  | 17.0  | 5.7 | 8.25 | 10.8 | 12.5  | 2.70 |         |



## LED 座 LED HOUSING

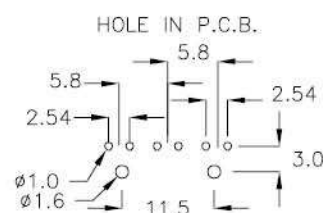
4-72-3

- MATERIAL: NYLON 66(UL)
- FLAME CLASS: 94V-2
- COLOR: BLACK



Built-In Clamp Function

| FOR $\phi 3$ 2PIN LED |     |         |
|-----------------------|-----|---------|
| PART NO               | A   | PACKAGE |
| 3LEL-6                | 5.5 | 200     |

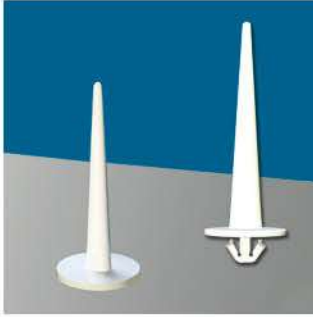
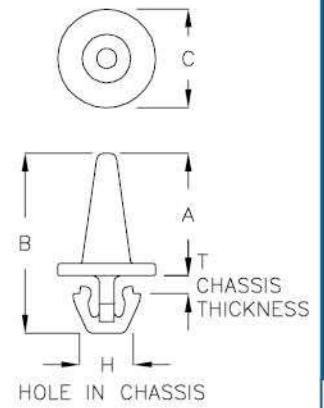




### 間隔柱 SPACER SUPPORT | 3-161-1 |

- MATERIAL: PC(UL)
- COLOR: WHITE

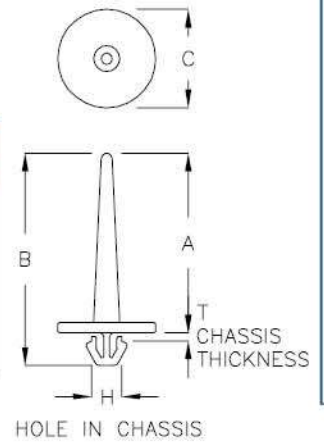
| PART NO  | A    | B     | C    | H<br>HOLE IN<br>CHASSIS | T<br>CHASSIS<br>THICKNESS | PACKAGE |
|----------|------|-------|------|-------------------------|---------------------------|---------|
| CBD-10SA | 10.0 | 14.65 | ∅8.0 | ∅4.6                    | 1.2                       | 1000    |



### 間隔柱 SPACER SUPPORT | 3-161-2 |

- MATERIAL: PC(UL)
- COLOR: WHITE

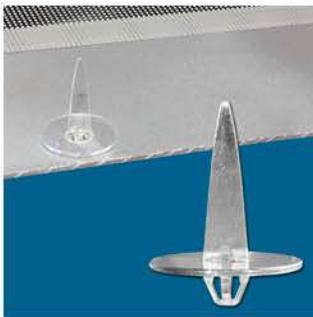
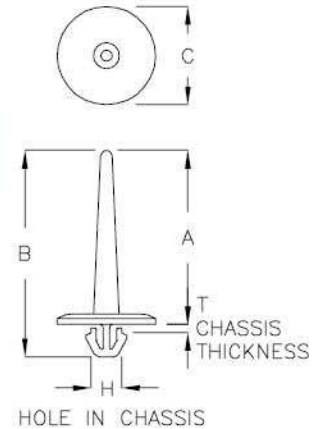
| PART NO  | A    | B     | C     | H<br>HOLE IN<br>CHASSIS | T<br>CHASSIS<br>THICKNESS | PACKAGE |
|----------|------|-------|-------|-------------------------|---------------------------|---------|
| CBD-21HR | 21.3 | 24.85 | ∅12.0 | ∅3.8                    | 0.6~0.8                   | 500     |
| CBD-28AP | 28.5 | 32.05 | ∅10.0 | ∅3.8                    | 0.6~0.8                   |         |
| CBD-28PQ | 28.8 | 32.6  | ∅10.0 | ∅3.8                    | 0.9~1.0                   |         |
| CBD-29M  | 29.5 | 33.05 | ∅10.0 | ∅3.8                    | 0.6~0.8                   |         |
| CBD-31MA | 31.5 | 35.05 | ∅10.0 | ∅3.8                    | 0.6~0.8                   |         |



### 間隔柱 SPACER SUPPORT | 3-161-3 |

- MATERIAL: PC(UL)
- COLOR: WHITE

| PART NO  | A    | B     | C     | H<br>HOLE IN<br>CHASSIS | T<br>CHASSIS<br>THICKNESS | PACKAGE |
|----------|------|-------|-------|-------------------------|---------------------------|---------|
| CBD-25A  | 25.4 | 29.9  | ∅13.3 | ∅4.5                    | 0.6~0.8                   | 500     |
| CBD-27F  | 27.2 | 31.1  | ∅15.0 | ∅4.8                    | 0.8~1.0                   |         |
| CBD-33AC | 33.1 | 36.75 | ∅13.4 | ∅4.6                    | 0.5~0.6                   |         |
| CBD-33P  | 33.0 | 36.9  | ∅13.3 | ∅4.6                    | 0.5~0.8                   |         |

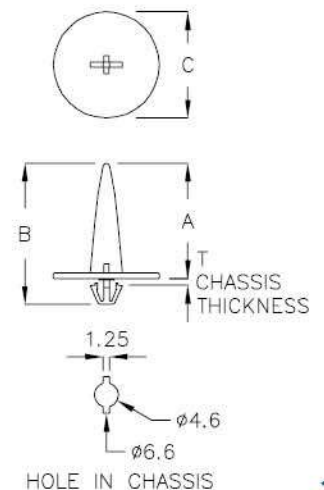


### 間隔柱 SPACER SUPPORT | 3-161-4 |

- MATERIAL: PC(UL)
- COLOR: CLEAR

Built-In Anti-Spin Function

| PART NO | A     | B     | C     | T<br>CHASSIS<br>THICKNESS | PACKAGE |
|---------|-------|-------|-------|---------------------------|---------|
| KFD-21A | 21.75 | 26.65 | ∅20.0 | 0.6                       | 500     |





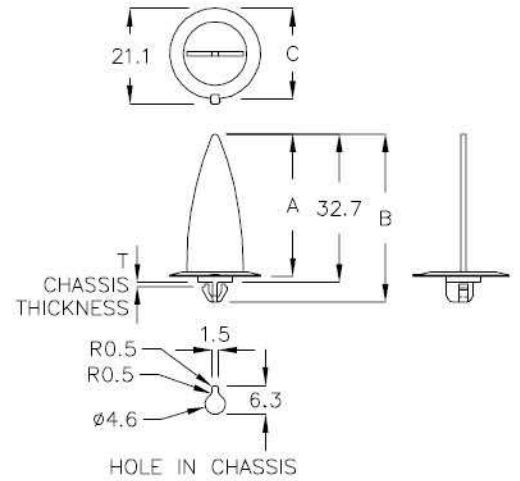
### 間隔柱 SPACER SUPPORT

3-162-1

- MATERIAL: PC(UL)
- COLOR: CLEAR

Built-In Anti-Spin Function

| PART NO  | A    | B    | C     | T<br>CHASSIS<br>THICKNESS | PACKAGE |
|----------|------|------|-------|---------------------------|---------|
| KFL-31FD | 31.4 | 37.0 | ∅20.0 | 0.6~0.8                   | 500     |



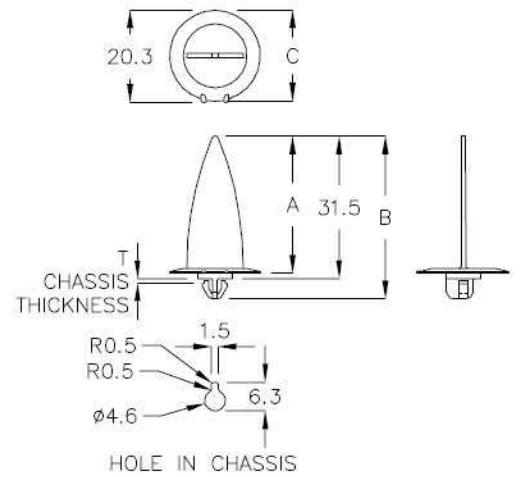
### 間隔柱 SPACER SUPPORT

3-162-2

- MATERIAL: PC(UL)
- COLOR: CLEAR

Built-In Anti-Spin Function

| PART NO | A    | B    | C     | T<br>CHASSIS<br>THICKNESS | PACKAGE |
|---------|------|------|-------|---------------------------|---------|
| KFJ-30G | 30.2 | 35.8 | ∅20.0 | 0.8                       | 500     |

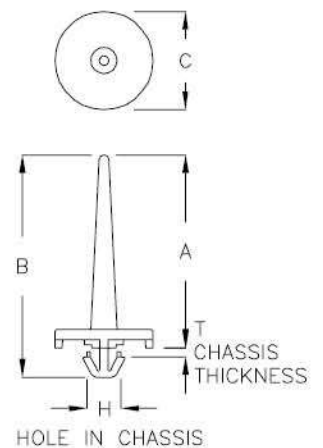


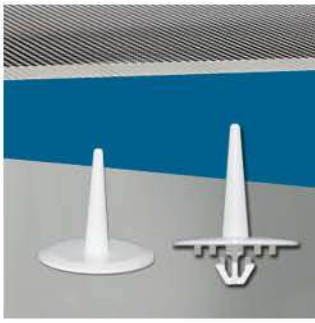
### 間隔柱 SPACER SUPPORT

3-162-3

- MATERIAL: PC(UL)
- COLOR: WHITE

| PART NO  | A    | B    | C     | H<br>HOLE IN<br>CHASSIS | T<br>CHASSIS<br>THICKNESS | PACKAGE |
|----------|------|------|-------|-------------------------|---------------------------|---------|
| CBL-42CY | 42.6 | 47.1 | ∅15.0 | ∅5.0                    | 1.2~1.3                   | 500     |

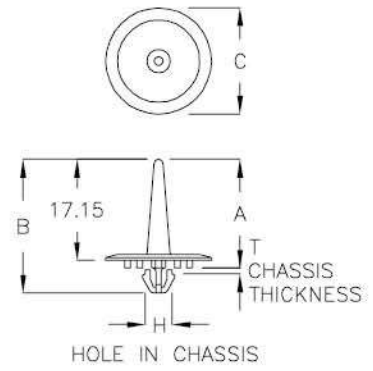




### 間隔柱 SPACER SUPPORT

3-163-1

- MATERIAL: PC(UL)
- COLOR: WHITE



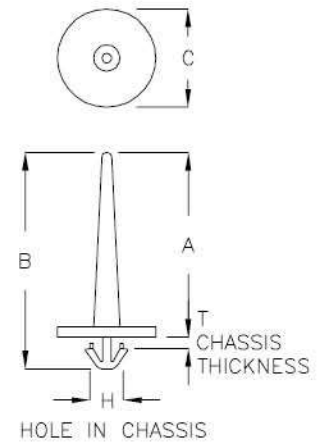
| PART NO   | A    | B    | C     | H<br>HOLE IN<br>CHASSIS | T<br>CHASSIS<br>THICKNESS | PACKAGE |
|-----------|------|------|-------|-------------------------|---------------------------|---------|
| CBLA-18JL | 18.5 | 22.8 | ∅18.0 | ∅4.6                    | 0.8                       | 500     |



### 間隔柱 SPACER SUPPORT

3-163-2

- MATERIAL: PC(UL)
- COLOR: WHITE



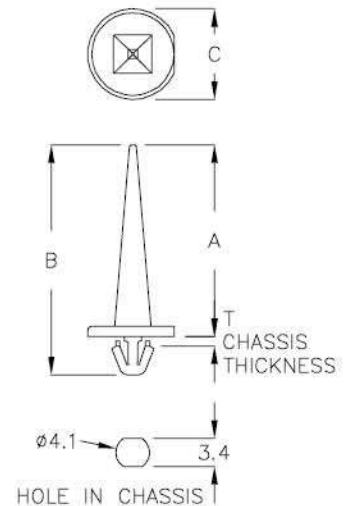
| PART NO  | A    | B    | C     | H<br>HOLE IN<br>CHASSIS | T<br>CHASSIS<br>THICKNESS | PACKAGE |
|----------|------|------|-------|-------------------------|---------------------------|---------|
| CBL-42MK | 40.0 | 44.1 | ∅15.0 | ∅5.2                    | 1.0~1.3                   | 500     |



### 間隔柱 SPACER SUPPORT

3-163-3

- MATERIAL: PC(UL)
- COLOR: WHITE, CLEAR



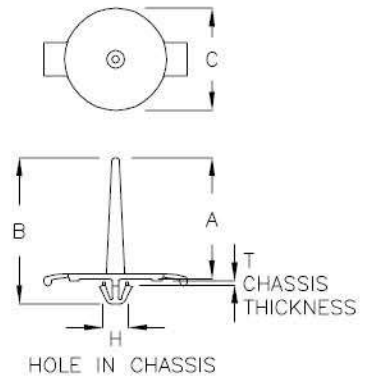
| PART NO  | A    | B    | C     | T<br>CHASSIS<br>THICKNESS | PACKAGE |
|----------|------|------|-------|---------------------------|---------|
| FXA-30Y  | 30.5 | 35.1 | ∅11.0 | 0.8~1.0                   | 500     |
| FXA-35PC | 35.8 | 40.4 | ∅11.0 | 1.05                      |         |
| FXA-39A  | 39.4 | 44.0 | ∅11.0 | 1.05                      |         |



間隔柱 SPACER SUPPORT

3-164-1

- MATERIAL: PC(UL)
- COLOR: WHITE



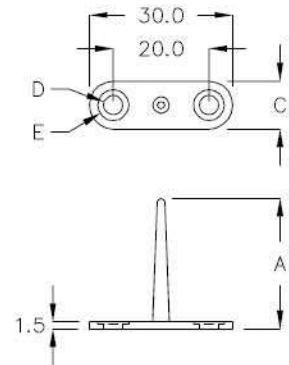
| PART NO | A    | B    | C     | H<br>HOLE IN<br>CHASSIS | T<br>CHASSIS<br>THICKNESS | PACKAGE |
|---------|------|------|-------|-------------------------|---------------------------|---------|
| SUP-23A | 24.0 | 28.9 | ∅20.0 | ∅5.0                    | 0.6~0.8                   | 500     |
| SUP-34D | 34.0 | 38.9 | ∅20.0 | ∅5.0                    | 0.6~0.8                   |         |



間隔柱 SPACER SUPPORT

3-164-2

- MATERIAL: PC(UL)
- COLOR: WHITE



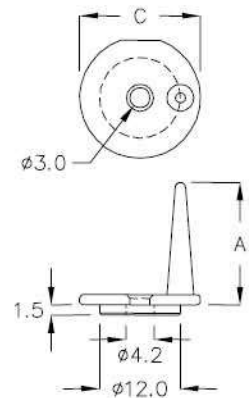
| PART NO  | A    | C    | D    | E    | PACKAGE |
|----------|------|------|------|------|---------|
| FJW-18PQ | 18.8 | 10.0 | ∅4.0 | ∅6.5 | 500     |
| FJW-25T  | 25.2 | 10.0 | ∅4.0 | ∅6.5 |         |
| FJW-27AK | 27.2 | 10.0 | ∅4.0 | ∅6.5 |         |
| FJW-27HM | 27.2 | 10.0 | ∅4.3 | ∅8.5 |         |



間隔柱 SPACER SUPPORT

3-164-3

- MATERIAL: PC(UL)
- COLOR: WHITE



| PART NO  | A    | C     | PACKAGE |
|----------|------|-------|---------|
| CBPA-18C | 18.2 | ∅18.0 | 200     |



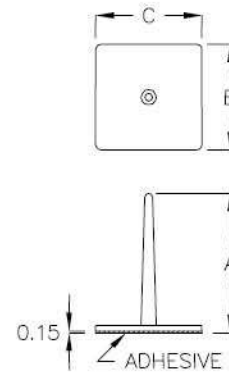


### 間隔柱 SPACER SUPPORT

3-165-1

- MATERIAL: PC(UL)
- COLOR: WHITE
- ADHESIVE TAPE: 3M

| PART NO  | A     | B    | C    | PACKAGE |
|----------|-------|------|------|---------|
| FZA-12TC | 13.05 | 20.0 | 20.0 | 500     |
| FZA-26FD | 26.15 | 20.0 | 20.0 |         |
| FZA-30PJ | 30.15 | 20.0 | 25.0 |         |

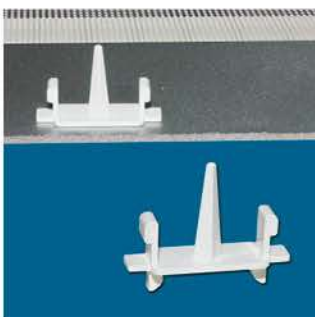
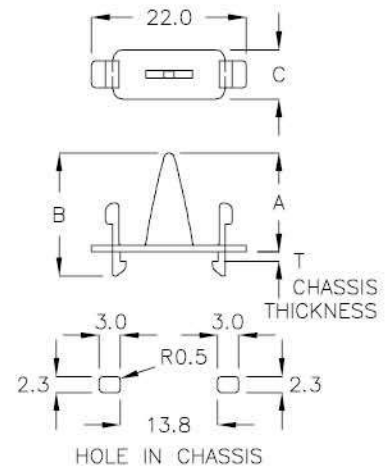


### 間隔柱 SPACER SUPPORT

3-165-2

- MATERIAL: PC(UL)
- COLOR: CLEAR

| PART NO   | A    | B    | C   | T<br>CHASSIS<br>THICKNESS | PACKAGE |
|-----------|------|------|-----|---------------------------|---------|
| DCRJ-14MK | 14.0 | 17.4 | 7.0 | 1.0~1.2                   | 500     |

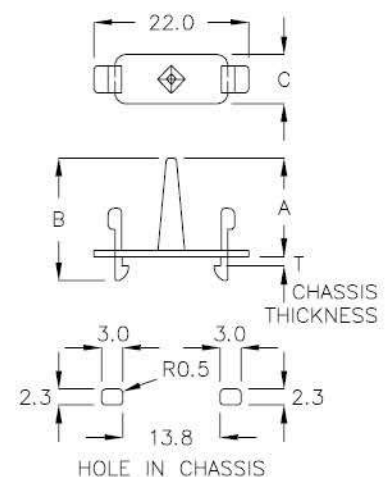


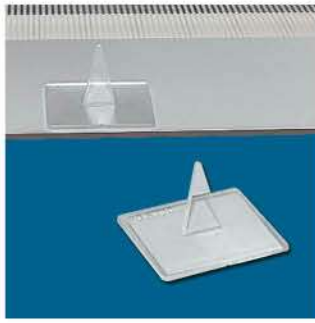
### 間隔柱 SPACER SUPPORT

3-165-3

- MATERIAL: PC(UL)
- COLOR: WHITE

| PART NO | A    | B    | C   | T<br>CHASSIS<br>THICKNESS | PACKAGE |
|---------|------|------|-----|---------------------------|---------|
| DCR-14H | 14.0 | 17.4 | 7.0 | 1.0~1.2                   | 500     |



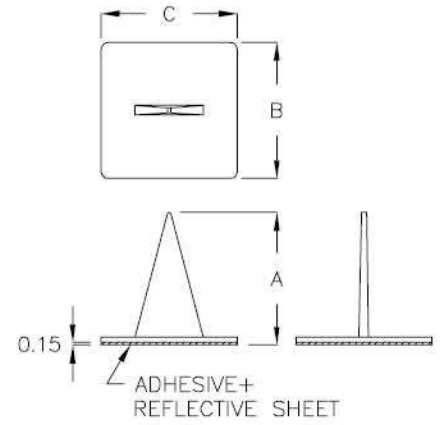


### 間隔柱 SPACER SUPPORT

3-166-1

- MATERIAL: PC(UL)
- COLOR: CLEAR
- ADHESIVE TAPE: GENERAL

| PART NO  | A     | B    | C    | PACKAGE |
|----------|-------|------|------|---------|
| FJH-12YK | 12.55 | 20.0 | 20.0 | 500     |
| FJH-19CY | 19.25 | 20.0 | 20.0 |         |

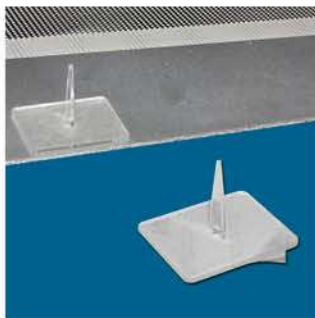
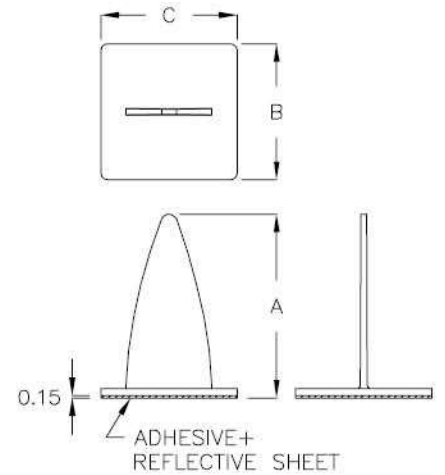


### 間隔柱 SPACER SUPPORT

3-166-2

- MATERIAL: PC(UL)
- COLOR: CLEAR
- ADHESIVE TAPE: GENERAL

| PART NO | A     | B    | C    | PACKAGE |
|---------|-------|------|------|---------|
| FJH-29K | 29.65 | 20.0 | 20.0 | 500     |
| FJH-30  | 30.15 | 20.0 | 20.0 |         |
| FJH-33M | 33.72 | 20.0 | 20.0 |         |

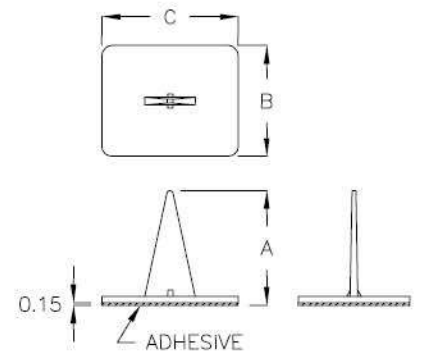


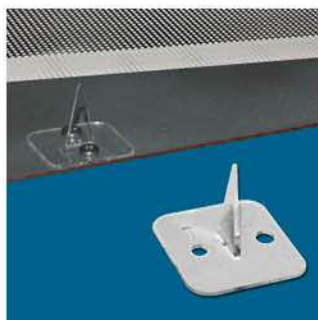
### 間隔柱 SPACER SUPPORT

3-166-3

- MATERIAL: PC(UL)
- COLOR: CLEAR
- ADHESIVE TAPE: 3M

| PART NO  | A     | B    | C    | PACKAGE |
|----------|-------|------|------|---------|
| FJH-14CR | 14.35 | 22.0 | 27.0 | 500     |
| FJH-19KT | 19.9  | 22.0 | 27.0 |         |
| FJH-20MA | 20.7  | 30.0 | 25.0 |         |
| FJH-21DP | 21.85 | 20.0 | 20.0 |         |
| FJH-21GK | 21.65 | 22.0 | 27.0 |         |
| FJH-21MD | 21.65 | 22.0 | 27.0 |         |





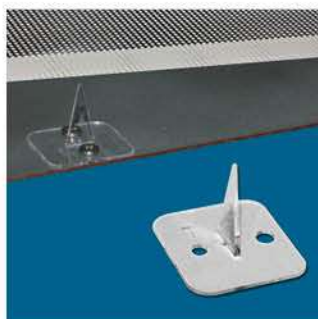
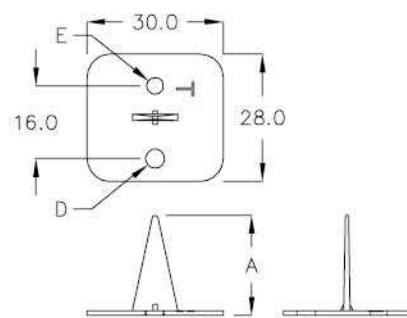
### 間隔柱 SPACER SUPPORT

3-167-1

- MATERIAL: PC(UL)
- COLOR: CLEAR

此產品亦可貼背膠  
OPTIONAL WITH ADHESIVE TAPE ON BASE

| PART NO | A    | D    | E    | PACKAGE |
|---------|------|------|------|---------|
| FMY-22C | 22.0 | ø4.2 | ø3.7 | 500     |



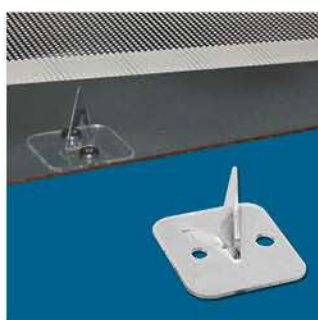
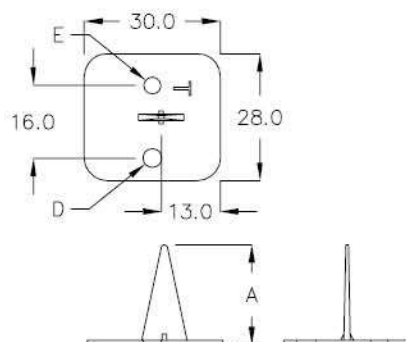
### 間隔柱 SPACER SUPPORT

3-167-2

- MATERIAL: PC(UL)
- COLOR: CLEAR

此產品亦可貼背膠  
OPTIONAL WITH ADHESIVE TAPE ON BASE

| PART NO  | A    | D    | E    | PACKAGE |
|----------|------|------|------|---------|
| FMY-21TC | 21.5 | ø4.2 | ø3.7 | 200     |
| FMY-22KP | 22.0 | ø4.2 | ø3.7 |         |



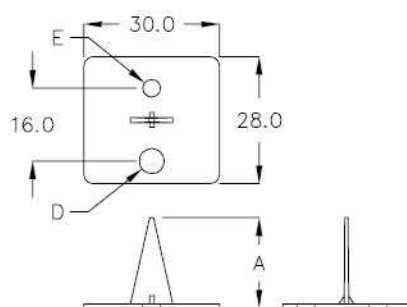
### 間隔柱 SPACER SUPPORT

3-167-3

- MATERIAL: PC(UL)
- COLOR: CLEAR

此產品亦可貼背膠  
OPTIONAL WITH ADHESIVE TAPE ON BASE

| PART NO  | A    | D    | E    | PACKAGE |
|----------|------|------|------|---------|
| FMG-19LH | 19.9 | ø5.5 | ø3.9 | 500     |





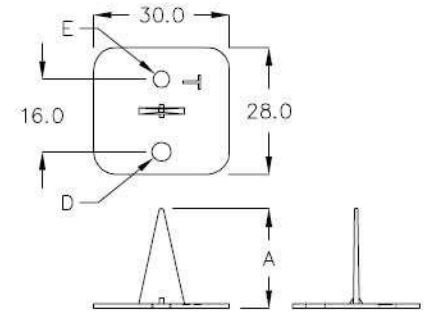
### 間隔柱 SPACER SUPPORT

3-168-1

- MATERIAL: PC(UL)
- COLOR: CLEAR

此產品亦可貼背膠  
OPTIONAL WITH ADHESIVE TAPE ON BASE

| PART NO  | A    | D    | E    | PACKAGE |
|----------|------|------|------|---------|
| FMQ-21MC | 21.5 | ø4.2 | ø3.5 | 500     |

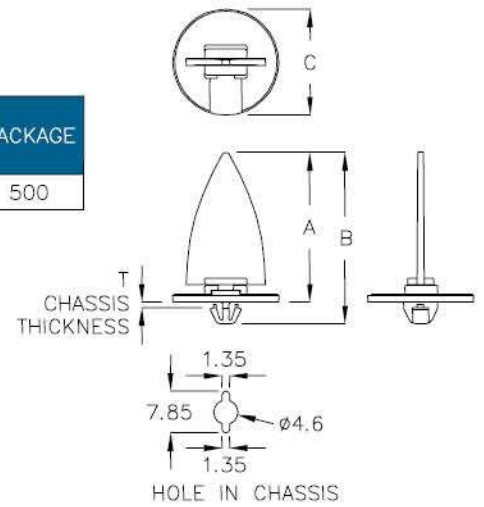


### 間隔柱 SPACER SUPPORT

3-168-2

- MATERIAL: PC(UL)
- COLOR: CLEAR

| PART NO  | A    | B    | C     | T<br>CHASSIS<br>THICKNESS | PACKAGE |
|----------|------|------|-------|---------------------------|---------|
| KFDX-28M | 28.3 | 32.4 | ø20.0 | 0.8                       | 500     |



LED座  
LED HOUSING

04

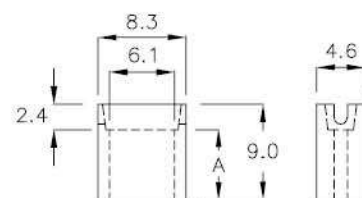


LED套  
LED HOLDER

**LED 套 LED HOLDER****4-2-1**

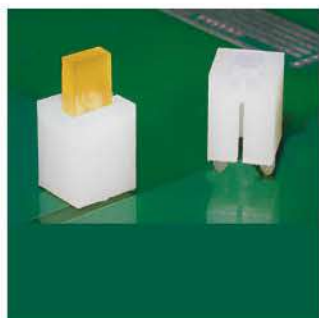
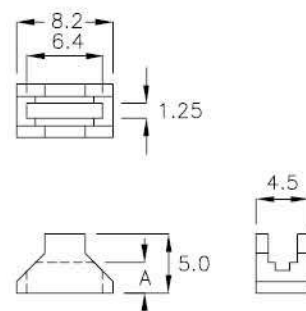
- MATERIAL: NYLON 66(UL)
- FLAME CLASS: 94V-2
- COLOR: NATURAL

| FOR QUADRATE 2PIN LED |     |         |
|-----------------------|-----|---------|
| PART NO               | A   | PACKAGE |
| LEQ-9                 | 6.6 | 2000    |

**LED 套 LED HOLDER****4-2-2**

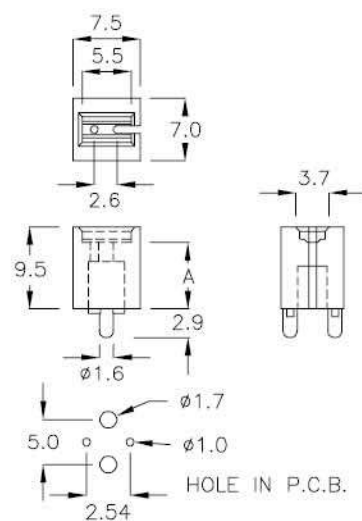
- MATERIAL: NYLON 66(UL)
- FLAME CLASS: 94V-2
- COLOR: NATURAL

| FOR QUADRATE 2PIN LED |     |         |
|-----------------------|-----|---------|
| PART NO               | A   | PACKAGE |
| LEQ-1                 | 2.6 | 2000    |

**LED 套 LED HOLDER****4-2-3**

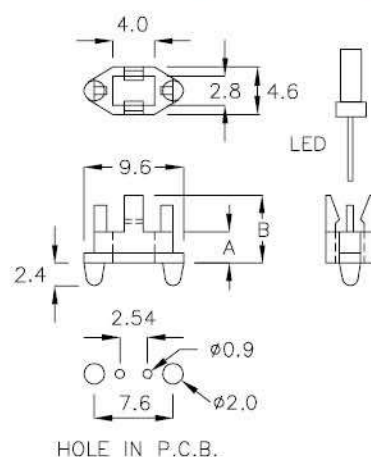
- MATERIAL: NYLON 66(UL)
- FLAME CLASS: 94V-2
- COLOR: NATURAL

| FOR QUADRATE 2PIN LED |     |         |
|-----------------------|-----|---------|
| PART NO               | A   | PACKAGE |
| LED-2x10              | 7.8 | 1000    |

**LED 套 LED HOLDER****4-2-4**

- MATERIAL: NYLON 66(UL)
- FLAME CLASS: 94V-2
- COLOR: NATURAL

| FOR QUADRATE 2PIN LED |     |     |         |
|-----------------------|-----|-----|---------|
| PART NO               | A   | B   | PACKAGE |
| LEQ-3T                | 3.0 | 6.5 | 2000    |
| LEQ-4T                | 4.0 | 7.5 |         |



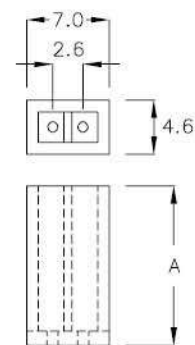


## LED 套 LED HOLDER

4-3-1

- MATERIAL: NYLON 66(UL)
- FLAME CLASS: 94V-2
- COLOR: NATURAL

| FOR QUADRATE 2PIN LED |      |         |
|-----------------------|------|---------|
| PART NO               | A    | PACKAGE |
| LED-13.5              | 13.5 | 1000    |

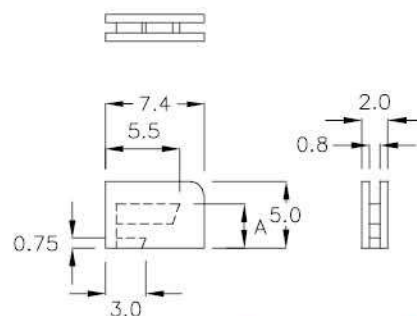


## LED 套 LED HOLDER

4-3-2

- MATERIAL: NYLON 66(UL)
- FLAME CLASS: 94V-2
- COLOR: BLACK

| FOR QUADRATE 2PIN LED |     |         |
|-----------------------|-----|---------|
| PART NO               | A   | PACKAGE |
| LEJ-3                 | 3.3 | 2000    |

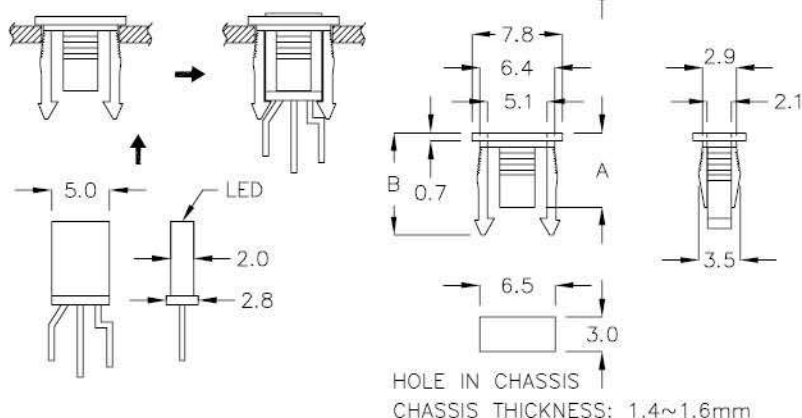


## LED 座 LED HOUSING

4-3-3

- MATERIAL: NYLON 66(UL)
- FLAME CLASS: 94V-2
- COLOR: BLACK

| FOR QUADRATE 2PIN,3PIN LED |     |     |         |
|----------------------------|-----|-----|---------|
| PART NO                    | A   | B   | PACKAGE |
| SLED-1                     | 5.2 | 7.8 | 2000    |
| SLED-2M                    | 6.2 | 8.6 |         |



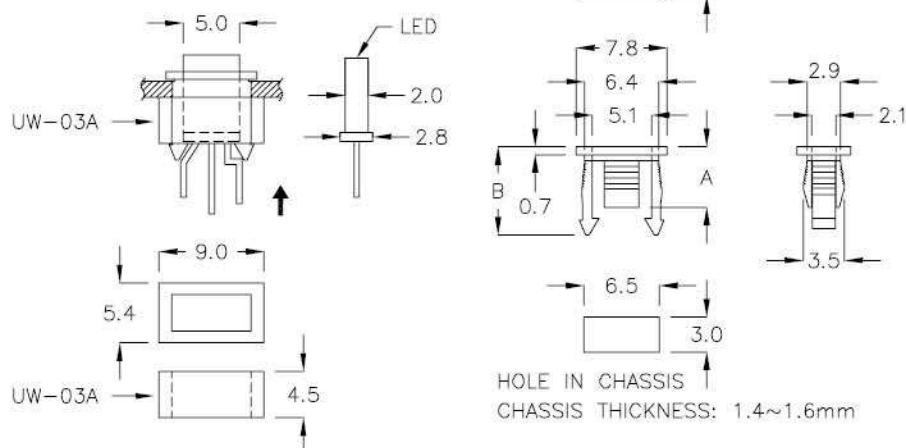
## LED 座 LED HOUSING

4-3-4

- MATERIAL: NYLON 66(UL)
- FLAME CLASS: 94V-2
- COLOR: BLACK

| FOR QUADRATE 2PIN,3PIN LED |     |     |         |
|----------------------------|-----|-----|---------|
| PART NO                    | A   | B   | PACKAGE |
| SLED-2                     | 5.2 | 7.6 | 2000    |

ALSO CAN ASSEMBLE WITH UW-03A.



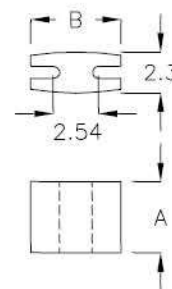


## LED 套 LED HOLDER

4-4-1

- MATERIAL: NYLON 66(UL)
- FLAME CLASS: 94V-2
- COLOR: BLACK

| FOR QUADRATE 2PIN LED |     |     |         |
|-----------------------|-----|-----|---------|
| PART NO               | A   | B   | PACKAGE |
| EDH-04                | 4.0 | 5.1 | 2000    |
| EDH-4A                | 4.5 | 5.1 |         |
| EDH-9CF               | 9.5 | 5.1 | 1000    |

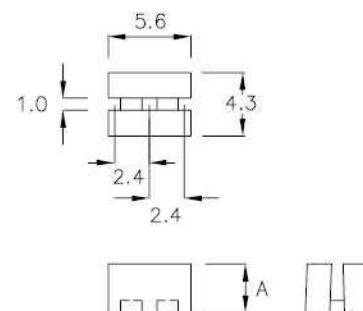


## LED 套 LED HOLDER

4-4-2

- MATERIAL: NYLON 66(UL)
- FLAME CLASS: 94V-2
- COLOR: NATURAL

| FOR QUADRATE 3PIN LED |     |         |
|-----------------------|-----|---------|
| PART NO               | A   | PACKAGE |
| LED-3x3               | 3.2 | 2000    |
| LED3x4                | 4.0 |         |



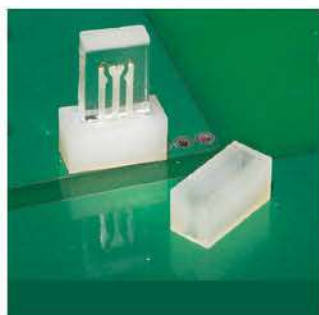
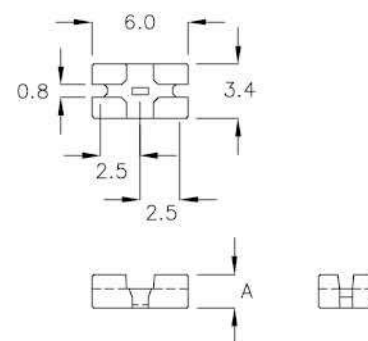
## LED 套 LED HOLDER

4-4-3

- MATERIAL: NYLON 66(UL)
- FLAME CLASS: 94V-2
- COLOR: BLACK

Built-In Clamp Function

| FOR QUADRATE 3PIN LED |     |         |
|-----------------------|-----|---------|
| PART NO               | A   | PACKAGE |
| LED-3x2KQ             | 2.1 | 2000    |

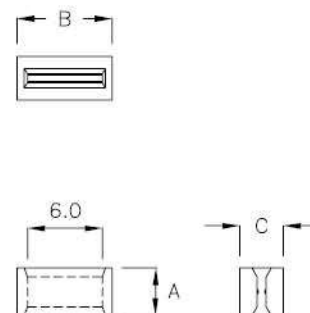


## LED 套 LED HOLDER

4-4-4

- MATERIAL: NYLON 66(UL)
- FLAME CLASS: 94V-2
- COLOR: NATURAL

| FOR QUADRATE 3PIN LED |     |     |     |         |
|-----------------------|-----|-----|-----|---------|
| PART NO               | A   | B   | C   | PACKAGE |
| QLG-4S                | 3.8 | 7.6 | 3.5 | 2000    |





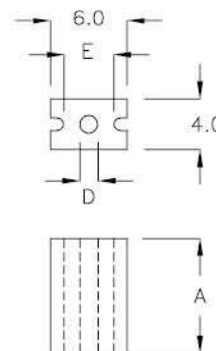


## LED 套 LED HOLDER

4-5-1

- MATERIAL: NYLON 66(UL)
- FLAME CLASS: 94V-2
- COLOR: NATURAL

| FOR QUADRATE 3PIN LED |      |       |     |         |
|-----------------------|------|-------|-----|---------|
| PART NO               | A    | D     | E   | PACKAGE |
| QLE-1MH               | 1.5  | ∅1.4  | 3.7 | 2000    |
| QLE-12C               | 12.0 | ∅1.45 | 3.9 | 1000    |

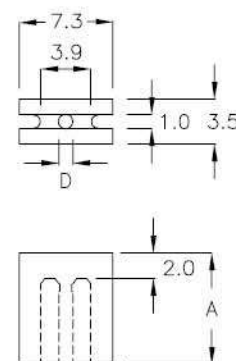


## LED 套 LED HOLDER

4-5-2

- MATERIAL: NYLON 66(UL)
- FLAME CLASS: 94V-2
- COLOR: NATURAL

| FOR QUADRATE 3PIN LED |      |      |         |
|-----------------------|------|------|---------|
| PART NO               | A    | D    | PACKAGE |
| QLE-3                 | 3.0  | ∅1.1 | 2000    |
| QLE-4B                | 3.8  |      |         |
| QLE-5B                | 5.1  |      |         |
| QLE-5M                | 5.5  |      |         |
| QLE-7B                | 7.0  |      |         |
| QLE-8B                | 8.0  | ∅1.1 | 1000    |
| QLE-10                | 10.0 |      |         |
| QLE-12                | 12.0 |      |         |

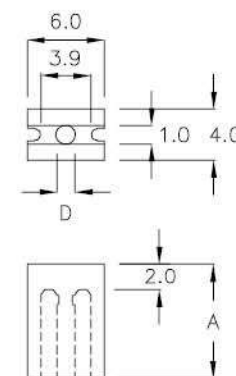


## LED 套 LED HOLDER

4-5-3

- MATERIAL: NYLON 66(UL)
- FLAME CLASS: 94V-2
- COLOR: NATURAL

| FOR QUADRATE 3PIN LED |      |       |         |
|-----------------------|------|-------|---------|
| PART NO               | A    | D     | PACKAGE |
| QLE-4                 | 4.0  | ∅1.1  | 2000    |
| QLE-5                 | 5.0  |       |         |
| QLE-6                 | 6.0  |       |         |
| QLE-7                 | 7.0  |       |         |
| QLE-8                 | 8.0  | ∅1.1  | 1000    |
| QLE-9                 | 9.0  |       |         |
| QLE-10A               | 10.0 | ∅1.45 | 1000    |
| QLE-11                | 11.0 |       |         |
| QLE-12A               | 12.0 | ∅1.1  | 1000    |
| QLE-13                | 13.0 |       |         |
| QLE-14                | 14.0 |       |         |
| QLE-15                | 15.0 |       |         |

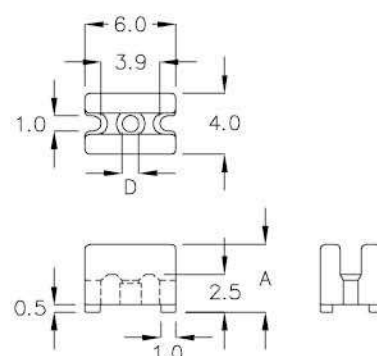


## LED 套 LED HOLDER

4-5-4

- MATERIAL: NYLON 66(UL)
- FLAME CLASS: 94V-0
- COLOR: BLACK

| FOR QUADRATE 3PIN LED |     |      |         |
|-----------------------|-----|------|---------|
| PART NO               | A   | D    | PACKAGE |
| QLEH-4A               | 4.5 | ∅1.1 | 2000    |

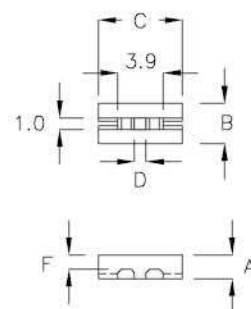




## LED 套 LED HOLDER

- MATERIAL: NYLON 66(UL)
- FLAME CLASS: 94V-2
- COLOR: NATURAL

4-6-1



Built-In Clamp Function

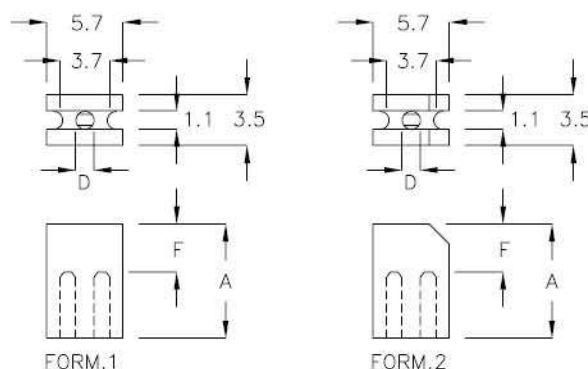
| FOR QUADRATE 3PIN LED |     |     |     |     |     |         |
|-----------------------|-----|-----|-----|-----|-----|---------|
| PART NO               | A   | B   | C   | D   | F   | PACKAGE |
| QLE-02                | 2.0 | 3.5 | 7.3 | 1.0 | 1.2 | 2000    |
| QLE-3HA               | 3.0 | 3.0 | 6.5 | 1.0 | 2.2 |         |



## LED 套 LED HOLDER

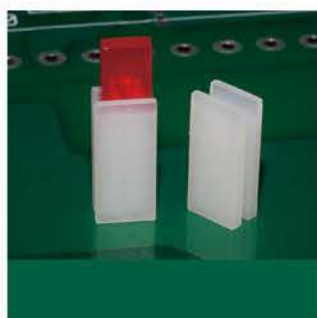
- MATERIAL: NYLON 66(UL)
- FLAME CLASS: 94V-2
- COLOR: NATURAL

4-6-2



Built-In Clamp Function

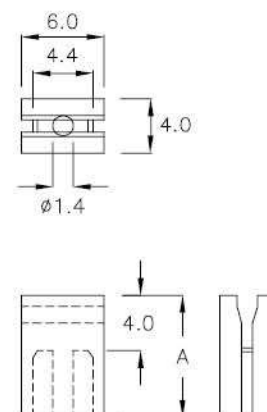
| FOR QUADRATE 3PIN LED |     |     |      |      |         |
|-----------------------|-----|-----|------|------|---------|
| PART NO               | A   | F   | D    | FORM | PACKAGE |
| QLE-8LR               | 8.5 | 3.5 | ∅1.1 | 2    | 1000    |
| QLE-9AK               | 9.0 | 4.0 | ∅1.1 | 1    |         |



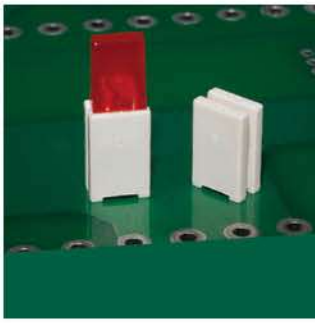
## LED 套 LED HOLDER

- MATERIAL: NYLON 66(UL)
- FLAME CLASS: 94V-2
- COLOR: NATURAL

4-6-3



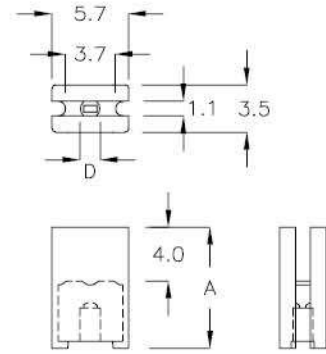
| FOR QUADRATE 3PIN LED |      |         |
|-----------------------|------|---------|
| PART NO               | A    | PACKAGE |
| QLK-5M                | 5.4  | 2000    |
| QLK-6                 | 6.0  |         |
| QLK-7                 | 6.9  |         |
| QLK-8                 | 8.0  |         |
| QLK-9                 | 9.0  | 1000    |
| QLK-10                | 10.0 |         |
| QLK-11                | 11.0 |         |
| QLK-12                | 12.0 |         |
| QLK-13                | 13.0 |         |
| QLK-14                | 14.0 |         |
| QLK-15                | 14.9 |         |
| QLK-16                | 15.9 |         |
| QLK-17                | 17.0 |         |
| QLK-18                | 18.0 |         |
| QLK-18A               | 18.5 |         |
| QLK-19                | 19.0 |         |



## LED 套 LED HOLDER

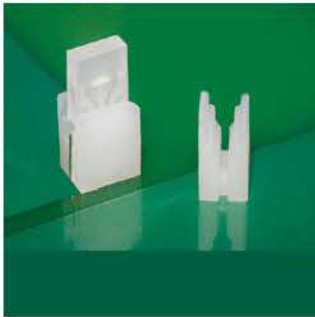
4-7-1

- MATERIAL: NYLON 46(UL)
- FLAME CLASS: 94V-0
- COLOR: NATURAL



Built-In Clamp Function

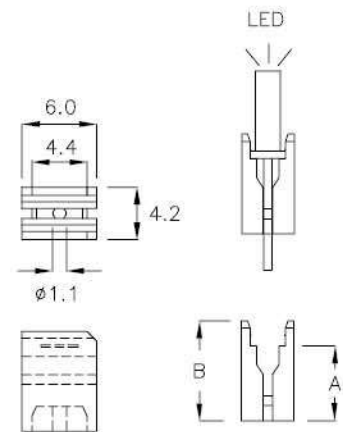
| FOR QUADRATE LED 3PIN |     |      |         |
|-----------------------|-----|------|---------|
| PART NO               | A   | D    | PACKAGE |
| QLB-9NC               | 9.0 | ∅1.1 | 1000    |



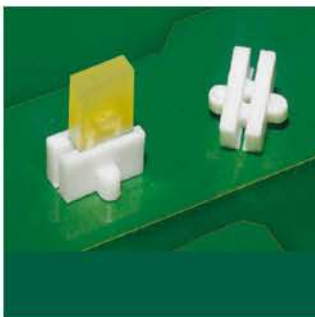
## LED 套 LED HOLDER

4-7-2

- MATERIAL: NYLON 66(UL)
- FLAME CLASS: 94V-2
- COLOR: NATURAL



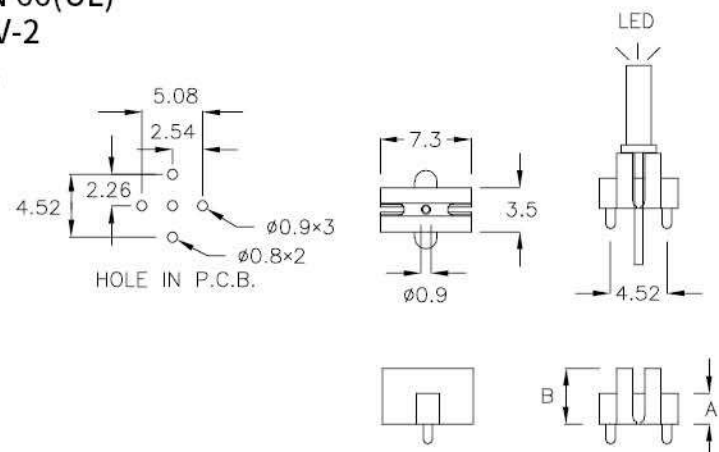
| FOR QUADRATE 3PIN LED |     |     |         |
|-----------------------|-----|-----|---------|
| PART NO               | A   | B   | PACKAGE |
| QLQ-6                 | 6.0 | 8.0 | 2000    |



## LED 套 LED HOLDER

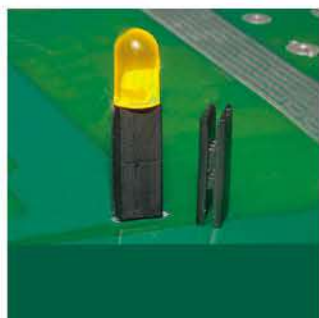
4-7-3

- MATERIAL: NYLON 66(UL)
- FLAME CLASS: 94V-2
- COLOR: NATURAL



Built-In Clamp Function

| FOR QUADRATE 3PIN LED |     |     |         |
|-----------------------|-----|-----|---------|
| PART NO               | A   | B   | PACKAGE |
| QLK-4T                | 2.5 | 4.5 | 2000    |

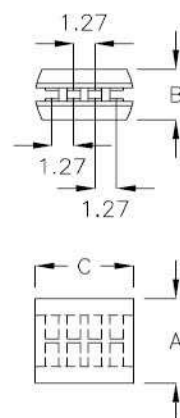


## LED 套 LED HOLDER

- MATERIAL: NYLON 66(UL)
- FLAME CLASS: 94V-2
- COLOR: NATURAL, BLACK

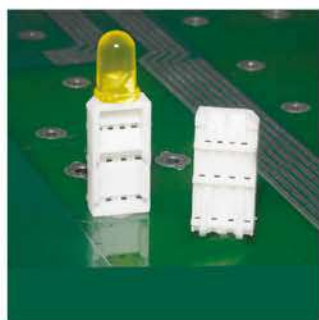
Built-In Clamp Function

| FOR $\phi 5$ 4PIN LED |      |     |     |         |
|-----------------------|------|-----|-----|---------|
| PART NO               | A    | B   | C   | PACKAGE |
| EDE-06                | 6.0  | 3.0 | 5.8 | 2000    |
| EDE-6A                | 6.5  | 3.0 | 5.8 |         |
| EDE-07                | 7.0  | 3.0 | 5.8 |         |
| EDE-7A                | 7.5  | 3.0 | 5.8 |         |
| EDE-08                | 8.0  | 3.0 | 5.8 |         |
| EDE-8A                | 8.5  | 3.0 | 5.8 |         |
| EDE-09                | 9.0  | 3.0 | 5.8 |         |
| EDE-10A               | 10.5 | 3.0 | 5.8 |         |
| EDE-11                | 11.0 | 3.0 | 5.8 |         |
| EDE-11A               | 11.5 | 3.0 | 5.8 |         |
| EDE-12A               | 12.5 | 3.0 | 5.8 |         |
| EDE-15                | 15.0 | 3.0 | 5.8 |         |



Built-In Clamp Function

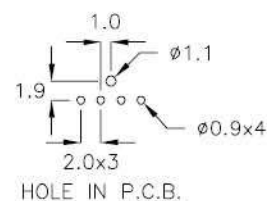
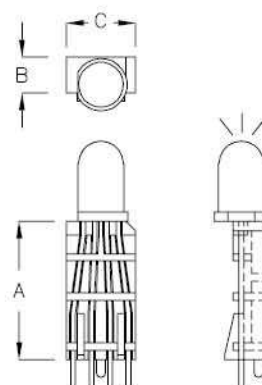
| FOR $\phi 5$ 4PIN LED |     |     |     |         |
|-----------------------|-----|-----|-----|---------|
| PART NO               | A   | B   | C   | PACKAGE |
| EDE-3A                | 3.5 | 3.0 | 5.8 | 2000    |
| EDE-04                | 4.0 | 3.0 | 5.8 |         |
| EDE-4A                | 4.5 | 3.0 | 5.8 |         |
| EDE-05                | 5.0 | 3.0 | 5.8 |         |
| EDE-5A                | 5.5 | 3.0 | 5.8 |         |



## LED 套 LED HOLDER

- MATERIAL: NYLON 66(UL)
- FLAME CLASS: 94V-0
- COLOR: NATURAL

| FOR $\phi 5$ 4PIN LED |      |     |     |         |
|-----------------------|------|-----|-----|---------|
| PART NO               | A    | B   | C   | PACKAGE |
| EES-15                | 15.0 | 3.9 | 7.5 | 2000    |

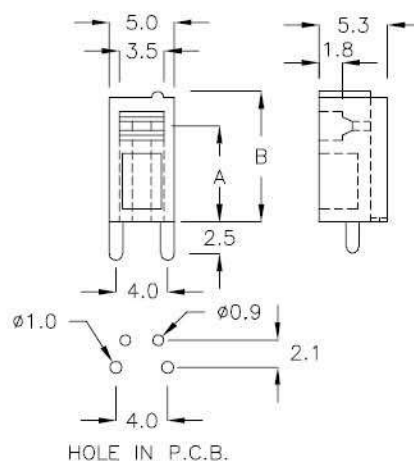


## LED 座 LED HOUSING

- MATERIAL: NYLON 66(UL)
- FLAME CLASS: 94V-2
- COLOR: NATURAL, BLACK

Built-In Clamp Function

| FOR QUADRATE 2PIN LED |     |      |         |
|-----------------------|-----|------|---------|
| PART NO               | A   | B    | PACKAGE |
| EDF-09                | 9.0 | 11.7 | 1000    |

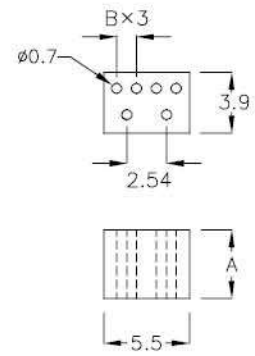




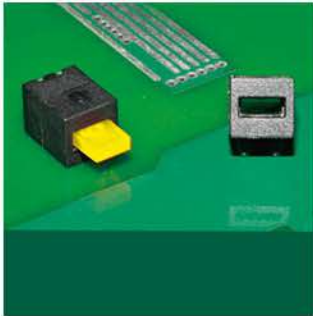
### LED 座 LED HOUSING

- MATERIAL: NYLON 66(UL)
- FLAME CLASS: 94V-2
- COLOR: NATURAL,BLACK

4-9-1



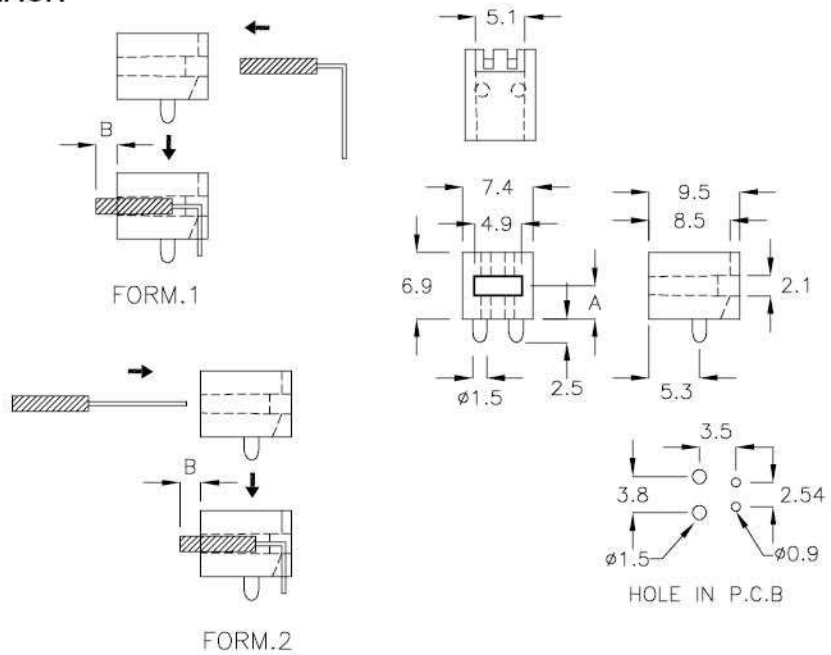
| FOR QUADRATE 2PIN LED |     |      |         |
|-----------------------|-----|------|---------|
| PART NO               | A   | B    | PACKAGE |
| EKL-01                | 4.4 | 1.27 | 1000    |



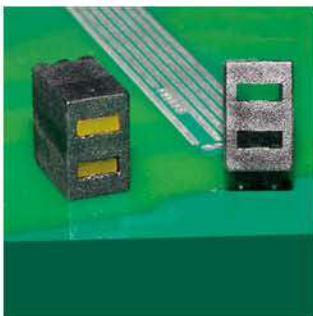
### LED 座 LED HOUSING

- MATERIAL: NYLON 66(UL)
- FLAME CLASS: 94V-2
- COLOR: BLACK

4-9-2



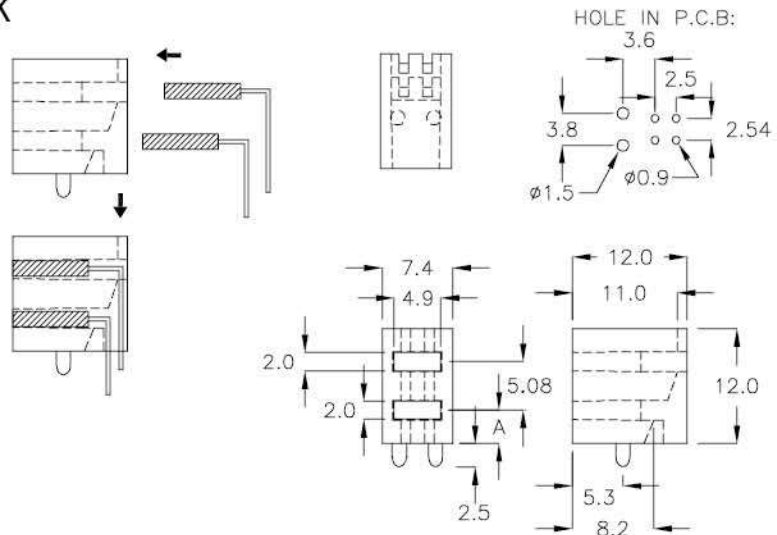
| FOR QUADRATE 2PIN LED |      |     |      |         |
|-----------------------|------|-----|------|---------|
| PART NO               | A    | B   | FORM | PACKAGE |
| LEA-5                 | 3.45 | 0   | 1    | 500     |
| LEA-5A                | 3.45 | 4.3 | 2    |         |
| LEA-5C                | 3.45 | 2.8 | 2    |         |



### LED 座 LED HOUSING

- MATERIAL: NYLON 66(UL)
- FLAME CLASS: 94V-2
- COLOR: BLACK

4-9-3



| FOR QUADRATE 2 PIN LED |      |         |
|------------------------|------|---------|
| PART NO                | A    | PACKAGE |
| 2LEA-5                 | 3.45 | 500     |



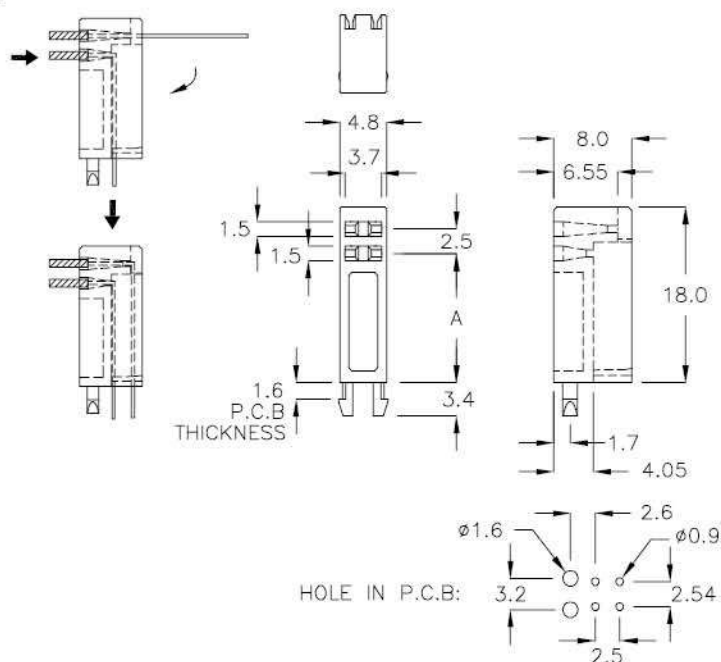
## LED 座 LED HOUSING

4-10-1

- MATERIAL: NYLON 66(UL)
- FLAME CLASS: 94V-2
- COLOR: NATURAL

Built-In Clamp Function

| FOR QUADRATE 2 PIN LED |       |         |  |
|------------------------|-------|---------|--|
| PART NO                | A     | PACKAGE |  |
| 2LEA-3AK               | 13.25 | 500     |  |



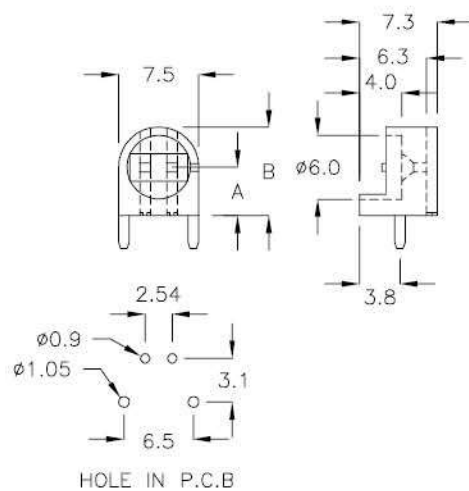
## LED 座 LED HOUSING

4-10-2

- MATERIAL: NYLON 66(UL)
- FLAME CLASS: 94V-2
- COLOR: BLACK

Built-In Clamp Function

| FOR $\phi 5$ 2PIN LED |     |     |         |
|-----------------------|-----|-----|---------|
| PART NO               | A   | B   | PACKAGE |
| EDR-4A                | 4.5 | 8.2 | 1000    |

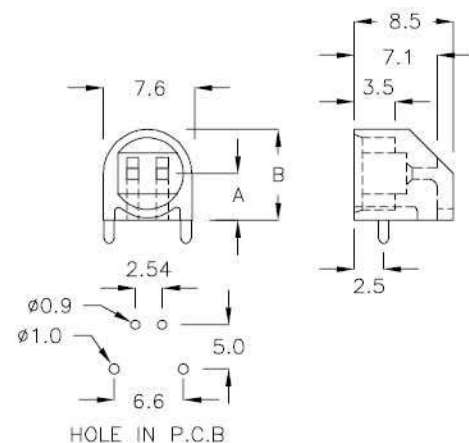


## LED 座 LED HOUSING

4-10-3

- MATERIAL: NYLON 66(UL)
- FLAME CLASS: 94V-2
- COLOR: BLACK

| FOR $\phi 5$ 2PIN LED |     |     |         |
|-----------------------|-----|-----|---------|
| PART NO               | A   | B   | PACKAGE |
| EEL-4TQ               | 4.0 | 7.8 | 1000    |





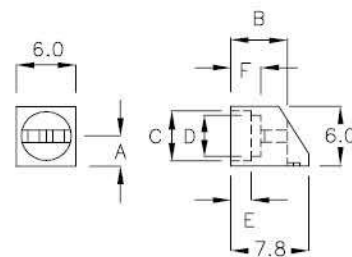
## LED 座 LED HOUSING

4-11-1

- MATERIAL: NYLON 66(UL)
- FLAME CLASS: 94V-2
- COLOR: NATURAL,BLACK

Built-In Clamp Function

| FOR $\phi 5$ , $\phi 3$ 2PIN LED |     |     |            |            |     |     |         |
|----------------------------------|-----|-----|------------|------------|-----|-----|---------|
| PART NO                          | A   | B   | C          | D          | E   | F   | PACKAGE |
| LED-2F                           | 3.0 | 5.6 | $\phi 5.0$ | $\phi 4.1$ | 2.0 | 3.5 | 1000    |



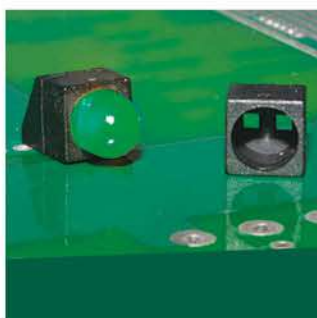
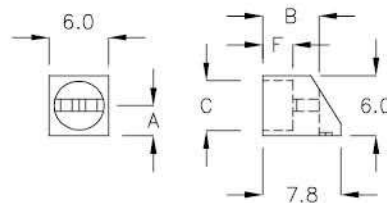
## LED 座 LED HOUSING

4-11-2

- MATERIAL: NYLON 66(UL)
- FLAME CLASS: 94V-2
- COLOR: BLACK

Built-In Clamp Function

| FOR $\phi 5$ 2PIN LED |     |     |            |     |         |
|-----------------------|-----|-----|------------|-----|---------|
| PART NO               | A   | B   | C          | F   | PACKAGE |
| LED-3F                | 3.0 | 4.8 | $\phi 5.0$ | 4.2 | 1000    |



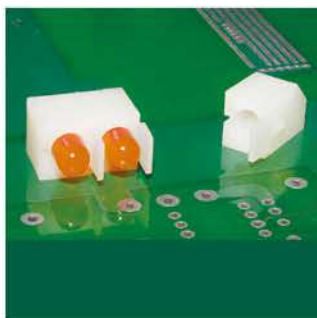
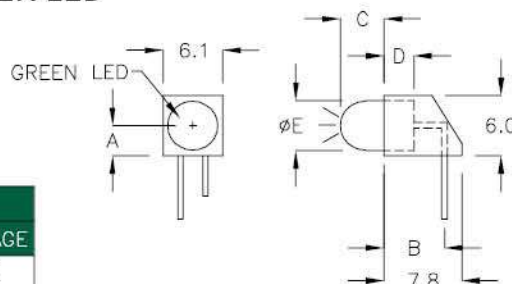
## LED 座 LED HOUSING

4-11-3

- MATERIAL: NYLON 66(UL)+GREEN LED
- FLAME CLASS: 94V-2
- COLOR: BLACK

Built-In Clamp Function

| FOR $\phi 5$ 2 PIN LED |     |     |     |     |     |         |
|------------------------|-----|-----|-----|-----|-----|---------|
| PART NO                | A   | B   | C   | D   | E   | PACKAGE |
| LED-3F-10              | 3.0 | 5.6 | 3.5 | 4.2 | 4.9 | 500     |



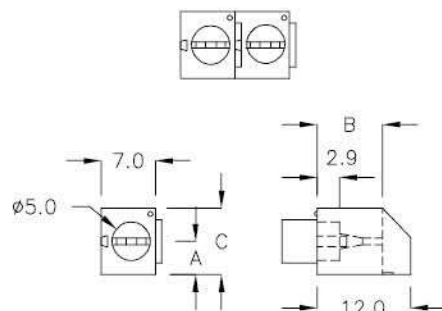
## LED 座 LED HOUSING

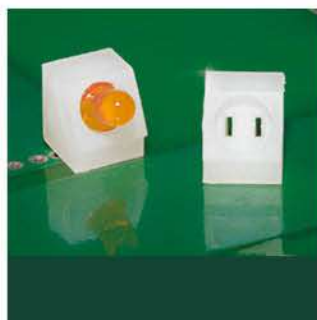
4-11-4

- MATERIAL: NYLON 66(UL)
- FLAME CLASS: 94V-2
- COLOR: NATURAL

Built-In Clamp Function

| FOR $\phi 5$ 2PIN LED |     |     |     |         |
|-----------------------|-----|-----|-----|---------|
| PART NO               | A   | B   | C   | PACKAGE |
| LED-5F                | 4.3 | 8.4 | 8.6 | 1000    |

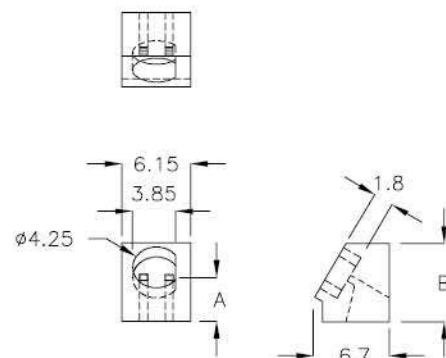




## LED 座 LED HOUSING

- MATERIAL: NYLON 66(UL)
- FLAME CLASS: 94V-2
- COLOR: NATURAL

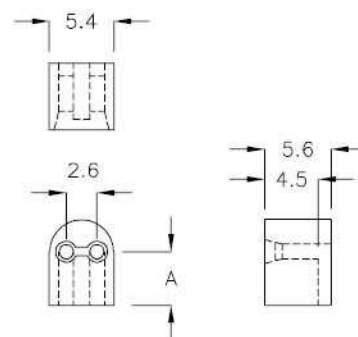
| FOR $\phi 3$ 2PIN LED |     |     |         |
|-----------------------|-----|-----|---------|
| PART NO               | A   | B   | PACKAGE |
| QLC-3F                | 3.9 | 7.0 | 2000    |



## LED 座 LED HOUSING

- MATERIAL: NYLON 66(UL)
- FLAME CLASS: 94V-2
- COLOR: NATURAL, BLACK

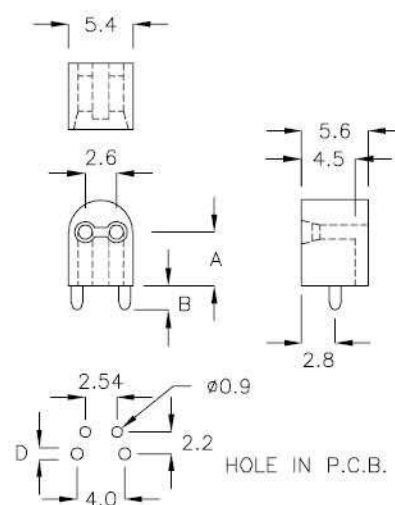
| FOR $\phi 5$ 2 PIN LED |      |         |
|------------------------|------|---------|
| PART NO                | A    | PACKAGE |
| LEH5-4.5               | 4.5  | 1000    |
| LEH5-6                 | 6.0  |         |
| LEH5-7                 | 7.0  |         |
| LEH5-8                 | 8.0  |         |
| LEH5-9                 | 9.0  |         |
| LEH5-10                | 10.0 |         |



## LED 座 LED HOUSING

- MATERIAL: NYLON 66(UL)
- FLAME CLASS: 94V-2
- COLOR: NATURAL, BLACK

| FOR $\phi 5$ 2PIN LED |      |     |            |         |
|-----------------------|------|-----|------------|---------|
| PART NO               | A    | B   | D          | PACKAGE |
| LEH5-3T               | 3.0  | 2.5 | $\phi 1.0$ | 1000    |
| LEH5-4.5T             | 4.5  | 2.5 | $\phi 1.1$ |         |
| LEH5-6T               | 6.0  | 2.5 | $\phi 1.0$ |         |
| LEH5-7T               | 7.0  |     |            |         |
| LEH5-8T               | 8.0  | 2.9 | $\phi 1.0$ |         |
| LEH5-9T               | 9.0  |     |            |         |
| LEH5-10T              | 10.0 |     |            |         |
| LEH5-12.5T            | 12.5 |     |            |         |
| LEH5-16T              | 16.0 |     |            |         |



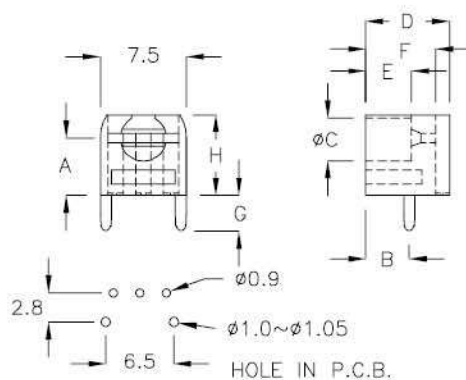




## LED 座 LED HOUSING

4-33-1

- MATERIAL: NYLON 66(UL)
- FLAME CLASS: 94V-2
- COLOR: BLACK



Built-In Clamp Function

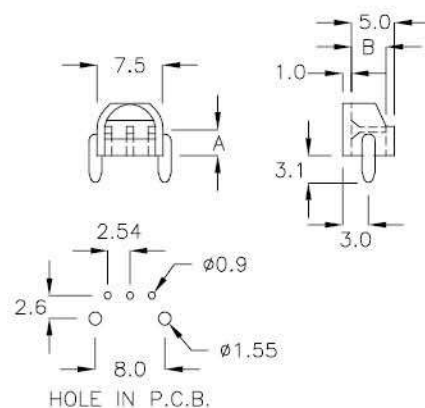
| FOR $\phi 3$ 3PIN LED |     |     |     |     |     |     |     |     |         |
|-----------------------|-----|-----|-----|-----|-----|-----|-----|-----|---------|
| PART NO               | A   | B   | C   | D   | E   | F   | G   | H   | PACKAGE |
| EKM-05                | 5.0 | 3.8 | 4.0 | 7.3 | 4.0 | 6.1 | 3.1 | 7.0 | 1000    |



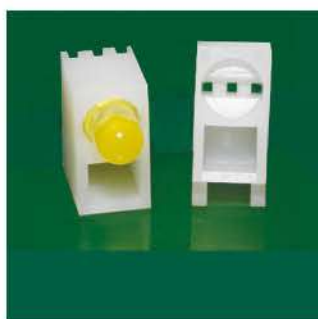
## LED 座 LED HOUSING

4-33-2

- MATERIAL: NYLON 66(UL)
- FLAME CLASS: 94V-2
- COLOR: NATURAL, BLACK



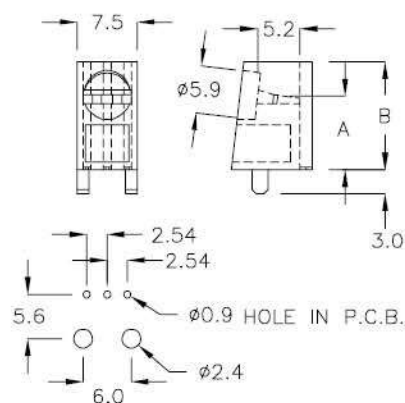
| FOR $\phi 5$ 3PIN LED |     |     |         |
|-----------------------|-----|-----|---------|
| PART NO               | A   | B   | PACKAGE |
| LEK4-2T               | 3.0 | 4.0 | 1000    |



## LED 座 LED HOUSING

4-33-3

- MATERIAL: NYLON 66(UL)
- FLAME CLASS: 94V-2
- COLOR: NATURAL



Built-In Clamp Function

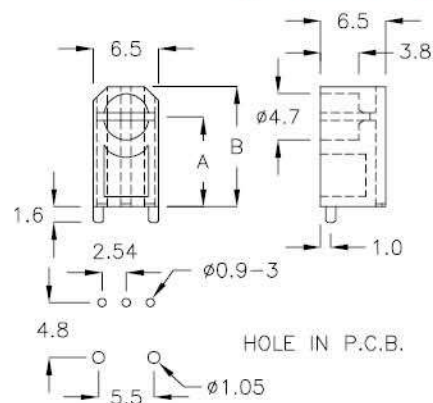
| FOR $\phi 5$ 3PIN LED |     |      |         |
|-----------------------|-----|------|---------|
| PART NO               | A   | B    | PACKAGE |
| LEC-01                | 9.2 | 13.5 | 1000    |

**LED 座 LED HOUSING**

- MATERIAL: NYLON 66(UL)
- FLAME CLASS: 94V-2
- COLOR: NATURAL

Built-In Clamp Function

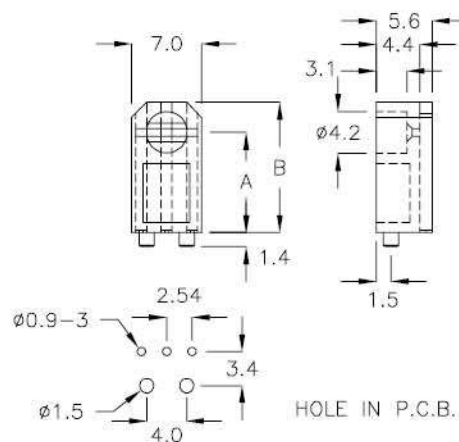
| FOR $\phi 3$ 3PIN LED |     |      |         |
|-----------------------|-----|------|---------|
| PART NO               | A   | B    | PACKAGE |
| EEB-09                | 9.0 | 12.0 | 500     |

**4-34-1****LED 座 LED HOUSING**

- MATERIAL: NYLON 66(UL)
- FLAME CLASS: 94V-2
- COLOR: NATURAL, BLACK

Built-In Clamp Function

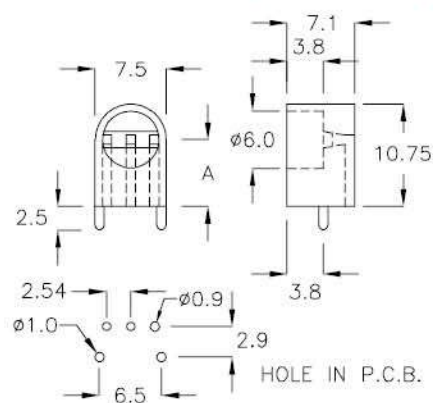
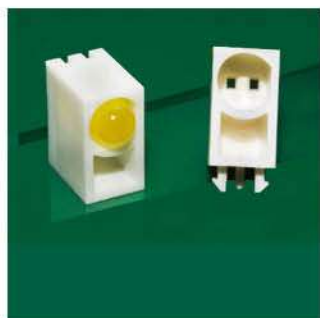
| FOR $\phi 3$ 3PIN LED |      |      |         |
|-----------------------|------|------|---------|
| PART NO               | A    | B    | PACKAGE |
| EEB-10                | 10.0 | 13.0 | 500     |

**4-34-2****LED 座 LED HOUSING**

- MATERIAL: NYLON 66(UL)
- FLAME CLASS: 94V-2
- COLOR: NATURAL

FOR  $\phi 5$  3PIN LED

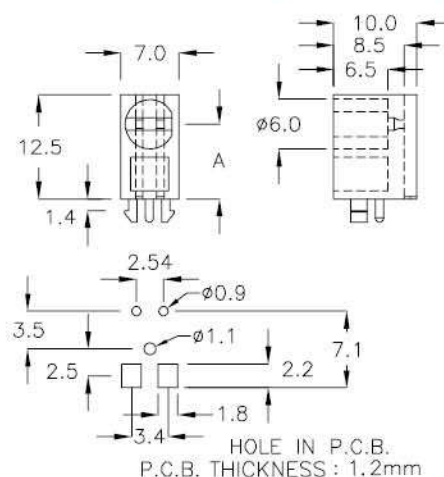
| PART NO | A   | PACKAGE |
|---------|-----|---------|
| EDQ-07  | 7.0 | 1000    |

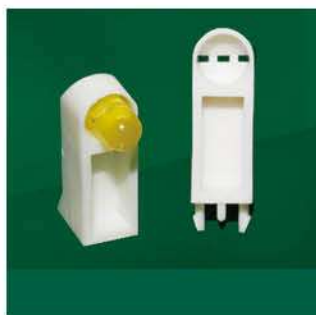
**4-34-3****LED 座 LED HOUSING**

- MATERIAL: NYLON 66(UL)
- FLAME CLASS: 94V-2
- COLOR: NATURAL

Built-In Clamp Function

| FOR $\phi 5$ 2PIN LED |     |         |
|-----------------------|-----|---------|
| PART NO               | A   | PACKAGE |
| EEJ-09                | 9.0 | 500     |

**4-34-4**



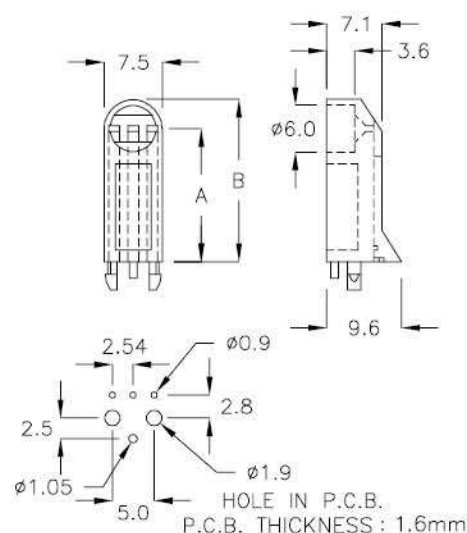
## LED 座 LED HOUSING

4-35-1

- MATERIAL: NYLON 66(UL)
- FLAME CLASS: 94V-2
- COLOR: NATURAL

Built-In Clamp Function

| FOR $\phi 5$ 3PIN LED |      |      |         |  |
|-----------------------|------|------|---------|--|
| PART NO               | A    | B    | PACKAGE |  |
| EEF-17                | 17.0 | 20.9 | 500     |  |



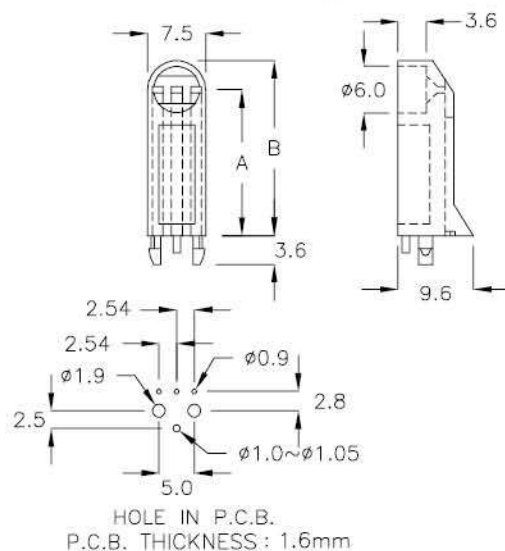
## LED 座 LED HOUSING

4-35-2

- MATERIAL: NYLON 66(UL)
- FLAME CLASS: 94V-2
- COLOR: NATURAL

Built-In Clamp Function

| FOR $\phi 5$ 3PIN LED |      |      |         |  |
|-----------------------|------|------|---------|--|
| PART NO               | A    | B    | PACKAGE |  |
| EEF-18A               | 18.7 | 22.4 | 500     |  |
| EEF-18C               | 18.4 | 22.1 |         |  |

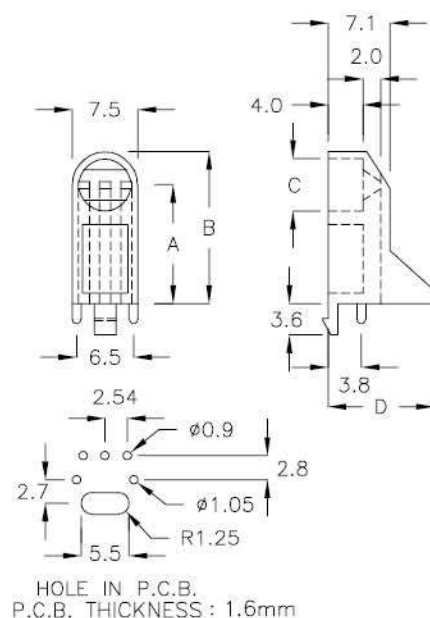


## LED 座 LED HOUSING

4-35-3

- MATERIAL: NYLON 66(UL)
- FLAME CLASS: 94V-2
- COLOR: NATURAL

| FOR $\phi 5$ 3PIN LED |      |      |            |      |         |
|-----------------------|------|------|------------|------|---------|
| PART NO               | A    | B    | C          | D    | PACKAGE |
| LEK2-7TX              | 7.0  | 10.8 | $\phi 6.2$ | 9.5  | 500     |
| LEK2-10TX             | 10.0 | 13.8 | $\phi 6.0$ | 12.1 |         |
| LEK2-13TX             | 13.5 | 17.3 | $\phi 6.0$ | 12.1 |         |





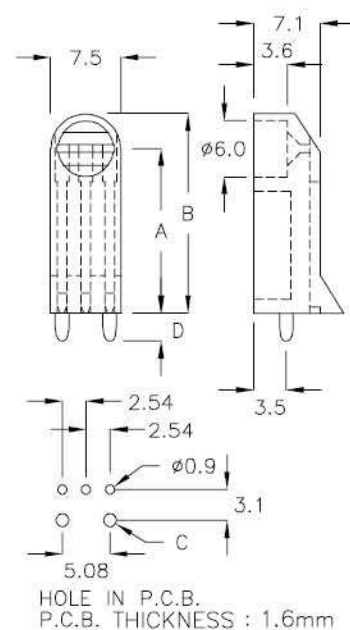
## LED 座 LED HOUSING

4-36-1

- MATERIAL: NYLON 66(UL)
- FLAME CLASS: 94V-2
- COLOR: NATURAL

Built-In Clamp Function

| FOR $\phi 5$ 3PIN LED |      |       |            |     |         |
|-----------------------|------|-------|------------|-----|---------|
| PART NO               | A    | B     | C          | D   | PACKAGE |
| LEK2-5TW              | 5.0  | 8.75  | $\phi 1.5$ | 3.0 | 1000    |
| LEK2-6TW              | 6.0  | 9.95  |            |     |         |
| LEK2-7TW              | 7.0  | 10.75 |            |     |         |
| LEK2-8TW              | 8.0  | 11.75 |            |     |         |
| LEK2-9TW              | 9.0  | 12.75 |            |     |         |
| LEK2-11TW             | 11.0 | 14.75 | $\phi 1.6$ | 3.0 | 500     |
| LEK2-14TW             | 14.0 | 17.75 |            |     |         |
| LEK2-15TW             | 15.0 | 18.75 | $\phi 1.2$ | 3.0 | 500     |
| LEK2-16TW             | 16.0 | 19.75 |            |     |         |
| LEK2-17TW             | 17.0 | 20.75 |            |     |         |
| LEK2-18TW             | 17.5 | 21.25 | $\phi 1.5$ | 3.0 | 500     |
| LEK2-18LTW            | 18.0 | 21.75 |            |     |         |
| LEK2-19TW             | 19.0 | 22.75 | $\phi 1.6$ | 3.0 | 500     |
| LEK2-20TW             | 20.0 | 23.75 |            |     |         |
| LEK2-11MTW            | 11.5 | 15.45 | $\phi 1.2$ | 2.5 |         |
| LEN-05                | 5.0  | 8.75  | $\phi 1.0$ | 3.0 | 1000    |



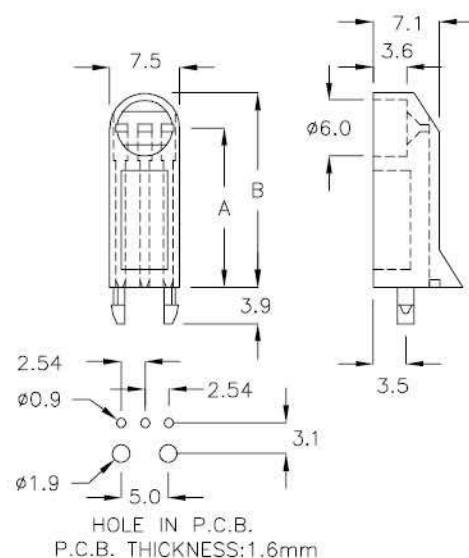
## LED 座 LED HOUSING

4-36-2

- MATERIAL: NYLON 66(UL)
- FLAME CLASS: 94V-2
- COLOR: NATURAL

Built-In Clamp Function

| FOR $\phi 5$ 3PIN LED |      |       |         |
|-----------------------|------|-------|---------|
| PART NO               | A    | B     | PACKAGE |
| LEK2-17TP             | 17.0 | 20.75 | 500     |



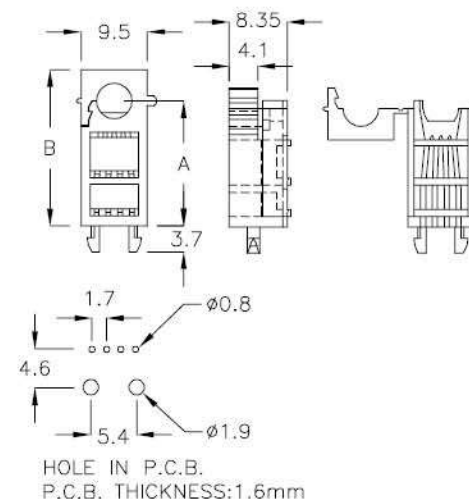
## LED 座 LED HOUSING

4-36-3

- MATERIAL: NYLON 66(UL)
- FLAME CLASS: 94V-0
- COLOR: NATURAL

Built-In Clamp Function

| FOR $\phi 5$ 4PIN LED |      |      |         |
|-----------------------|------|------|---------|
| PART NO               | A    | B    | PACKAGE |
| LEW-17D               | 17.0 | 21.5 | 500     |
| LEW-18A               | 18.0 | 22.5 |         |

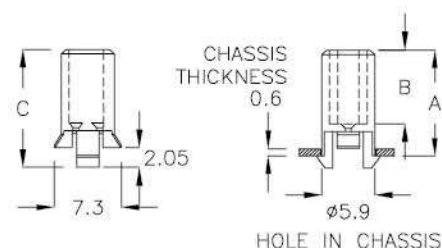
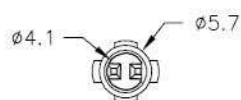




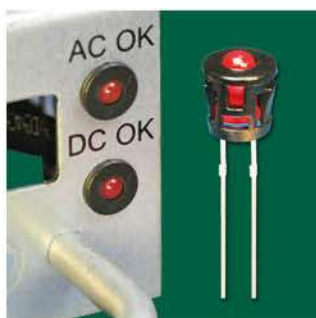
## LED 座 LED HOUSING

4-37-1

- MATERIAL: NYLON 66(UL)
- FLAME CLASS: 94V-2
- COLOR: BLACK



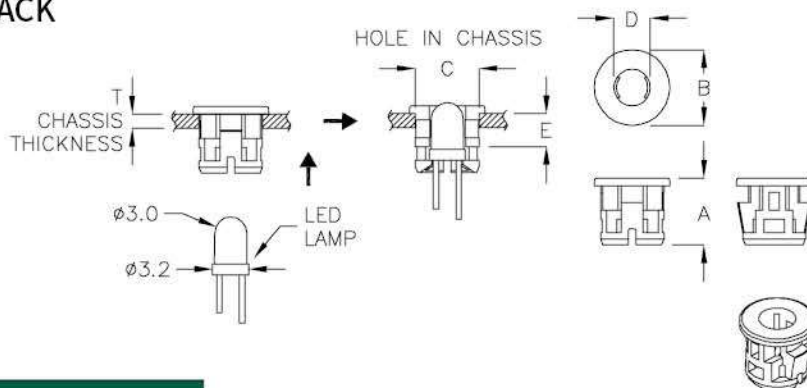
| FOR $\phi 3$ 2PIN LED |       |     |      |         |
|-----------------------|-------|-----|------|---------|
| PART NO               | A     | B   | C    | PACKAGE |
| QLY-2A                | 11.45 | 8.0 | 12.8 | 500     |
| QLY-7K                | 9.95  | 6.5 | 11.3 | 1000    |



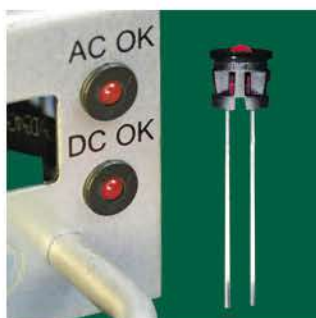
## LED 座 LED HOUSING

4-37-2

- MATERIAL: NYLON 66(UL)
- FLAME CLASS: 94V-2
- COLOR: BLACK



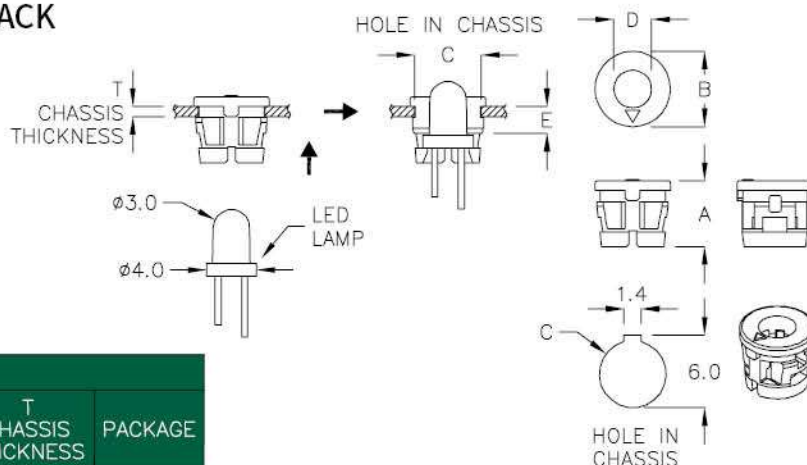
| FOR $\phi 3$ 2PIN LED |     |            |                   |            |      |                     |         |
|-----------------------|-----|------------|-------------------|------------|------|---------------------|---------|
| PART NO               | A   | B          | C HOLE IN CHASSIS | D          | E    | T CHASSIS THICKNESS | PACKAGE |
| CLED-3S               | 5.3 | $\phi 6.0$ | $\phi 5.2$        | $\phi 2.9$ | 2.75 | 1.2                 | 2000    |



## LED 座 LED HOUSING

4-37-3

- MATERIAL: NYLON 66(UL)
- FLAME CLASS: 94V-2
- COLOR: BLACK



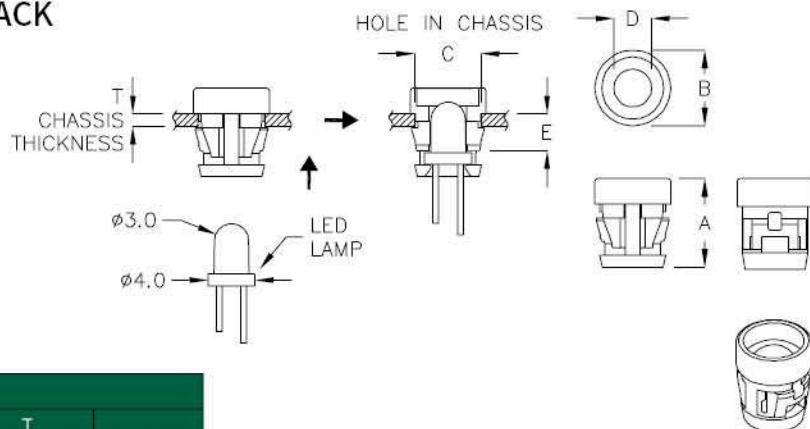
| FOR $\phi 3$ 2PIN LED |     |            |                   |            |     |                     |         |
|-----------------------|-----|------------|-------------------|------------|-----|---------------------|---------|
| PART NO               | A   | B          | C HOLE IN CHASSIS | D          | E   | T CHASSIS THICKNESS | PACKAGE |
| KLED-3FM              | 5.4 | $\phi 6.2$ | $\phi 5.5$        | $\phi 3.1$ | 2.2 | 0.8                 | 2000    |



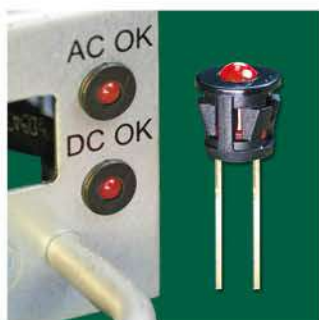
## LED 座 LED HOUSING

4-38-1

- MATERIAL: NYLON 66(UL)
- FLAME CLASS: 94V-2
- COLOR: BLACK



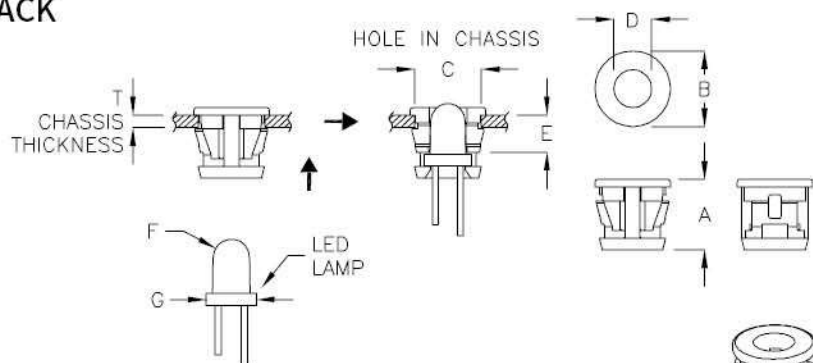
| FOR $\phi 3$ 2PIN LED |     |            |                         |            |     |                           |         |
|-----------------------|-----|------------|-------------------------|------------|-----|---------------------------|---------|
| PART NO               | A   | B          | C<br>HOLE IN<br>CHASSIS | D          | E   | T<br>CHASSIS<br>THICKNESS | PACKAGE |
| KLED-3DQ              | 6.7 | $\phi 5.6$ | $\phi 4.95$             | $\phi 3.1$ | 2.2 | 0.8                       | 2000    |



## LED 座 LED HOUSING

4-38-2

- MATERIAL: NYLON 66(UL)
- FLAME CLASS: 94V-2
- COLOR: BLACK

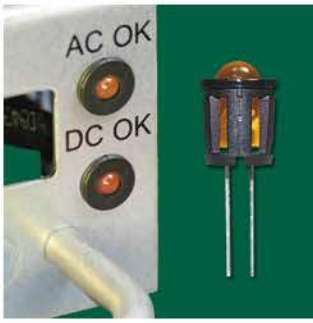


| FOR $\phi 3$ 2PIN or 3PIN LED |     |            |                         |             |      |            |            |                           |      |              |         |
|-------------------------------|-----|------------|-------------------------|-------------|------|------------|------------|---------------------------|------|--------------|---------|
| PART NO                       | A   | B          | C<br>HOLE IN<br>CHASSIS | D           | E    | F          | G          | T<br>CHASSIS<br>THICKNESS | FORM | $\phi 3$ LED | PACKAGE |
| KLED-3JL                      | 5.0 | $\phi 5.5$ | $\phi 5.0$              | $\phi 2.87$ | 1.9  | $\phi 2.9$ | $\phi 3.2$ | 0.8                       | 1    | 2 PIN        | 2000    |
| KLED-3TU                      | 5.1 | $\phi 5.5$ | $\phi 5.0$              | $\phi 2.87$ | 1.9  | $\phi 2.9$ | $\phi 3.2$ | 0.8                       | 3    | 2 PIN        |         |
| KLED-3PH                      | 5.2 | $\phi 5.6$ | $\phi 4.95$             | $\phi 3.1$  | 2.2  | $\phi 3.0$ | $\phi 4.0$ | 0.8                       | 1    | 2 PIN        |         |
| KLED-3HS                      | 5.2 | $\phi 6.0$ | $\phi 5.3$              | $\phi 2.95$ | 2.55 | $\phi 3.0$ | $\phi 3.2$ | 0.9                       | 1    | 2 PIN        |         |
| KLED-3YM                      | 5.2 | $\phi 6.0$ | $\phi 5.3$              | $\phi 2.95$ | 1.45 | $\phi 3.0$ | $\phi 3.2$ | 0.9                       | 1    | 2 PIN        |         |
| KLED-3CF                      | 5.6 | $\phi 5.6$ | $\phi 5.0$              | $\phi 3.1$  | 2.6  | $\phi 3.0$ | $\phi 4.0$ | 1.0                       | 1    | 2 PIN        |         |
| KLED-3RG                      | 5.6 | $\phi 6.0$ | $\phi 5.2$              | $\phi 3.0$  | 2.85 | $\phi 3.0$ | $\phi 4.0$ | 0.8                       | 2    | 3 PIN        |         |
| KLED-3BN                      | 5.6 | $\phi 6.0$ | $\phi 5.2$              | $\phi 3.0$  | 2.85 | $\phi 3.0$ | $\phi 4.0$ | 0.8                       | 2    | 3 PIN        |         |
| KLED-3A                       | 5.6 | $\phi 6.0$ | $\phi 5.3$              | $\phi 3.0$  | 2.95 | $\phi 3.0$ | $\phi 4.0$ | 1.0                       | 1    | 2 PIN        |         |
| KLED-3MK                      | 5.6 | $\phi 6.0$ | $\phi 5.3$              | $\phi 3.0$  | 2.95 | $\phi 3.0$ | $\phi 4.0$ | 0.9                       | 1    | 2 PIN        |         |
| KLED-3TB                      | 5.7 | $\phi 6.0$ | $\phi 5.2$              | $\phi 3.0$  | 2.6  | $\phi 3.0$ | $\phi 4.0$ | 1.0                       | 1    | 2 PIN        |         |
| KLED-3WT                      | 5.7 | $\phi 6.0$ | $\phi 5.2$              | $\phi 3.0$  | 2.8  | $\phi 3.0$ | $\phi 4.0$ | 1.0                       | 1    | 2 PIN        |         |

FORM.1

FORM.2

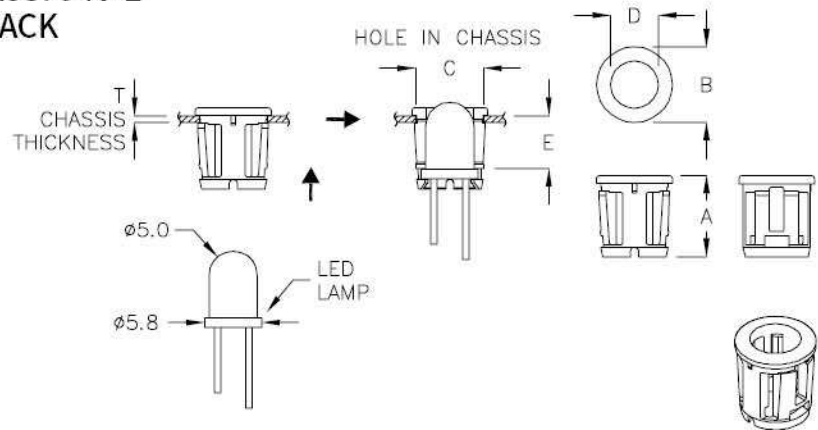
FORM.3



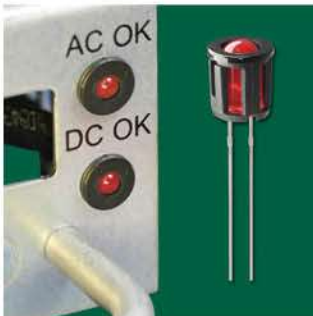
## LED 座 LED HOUSING

4-39-1

- MATERIAL: NYLON 66(UL)
- FLAME CLASS: 94V-2
- COLOR: BLACK



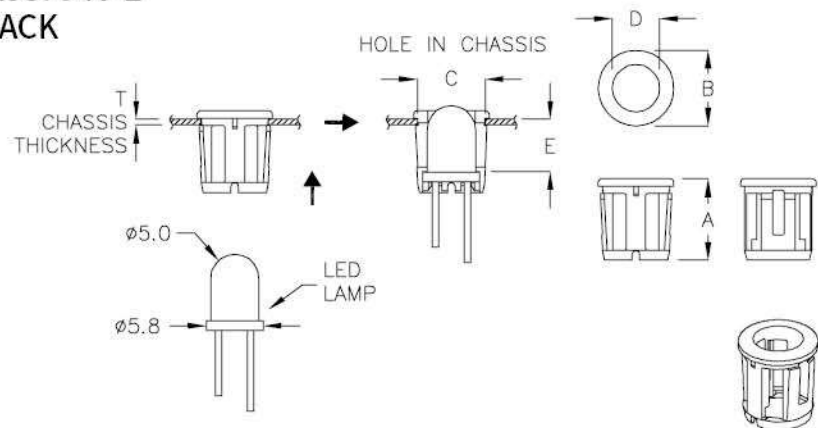
| FOR $\phi 5$ 2PIN LED |     |            |                         |            |      |                           |         |
|-----------------------|-----|------------|-------------------------|------------|------|---------------------------|---------|
| PART NO               | A   | B          | C<br>HOLE IN<br>CHASSIS | D          | E    | T<br>CHASSIS<br>THICKNESS | PACKAGE |
| KLED-5MS              | 8.4 | $\phi 7.8$ | $\phi 7.0$              | $\phi 4.9$ | 5.35 | 0.6                       | 2000    |



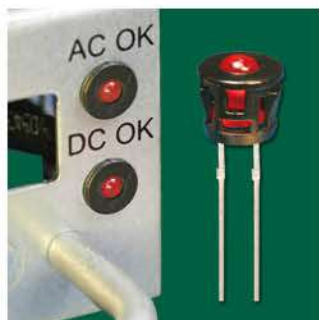
## LED 座 LED HOUSING

4-39-2

- MATERIAL: NYLON 66(UL)
- FLAME CLASS: 94V-2
- COLOR: BLACK



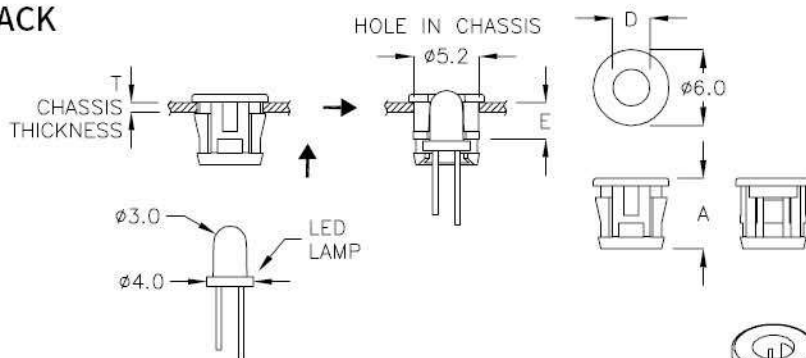
| FOR $\phi 5$ 2PIN LED |     |            |            |            |      |                           |         |
|-----------------------|-----|------------|------------|------------|------|---------------------------|---------|
| PART NO               | A   | B          | C          | D          | E    | T<br>CHASSIS<br>THICKNESS | PACKAGE |
| HLED-5RC              | 8.4 | $\phi 7.8$ | $\phi 7.0$ | $\phi 4.9$ | 5.45 | 0.6                       | 2000    |



## LED 座 LED HOUSING

4-40-1

- MATERIAL: NYLON 66(UL)
- FLAME CLASS: 94V-2
- COLOR: BLACK



| FOR ø3 2PIN or 3PIN LED |     |      |      |                           |      |        |         |
|-------------------------|-----|------|------|---------------------------|------|--------|---------|
| PART NO                 | A   | D    | E    | T<br>CHASSIS<br>THICKNESS | FORM | ø3 LED | PACKAGE |
| CLED-3K                 | 5.6 | ø2.9 | 3.0  | 0.8                       | 2    | 3 PIN  | 2000    |
| CLED-3C                 | 5.6 | ø3.0 | 2.95 | 0.8                       | 1    | 2 PIN  |         |
| CLED-3RY                | 5.6 | ø3.0 | 2.95 | 1.0                       | 1    | 2 PIN  |         |
| CLED-3H                 | 5.8 | ø3.0 | 2.9  | 0.9                       | 1    | 2 PIN  |         |



FORM.1



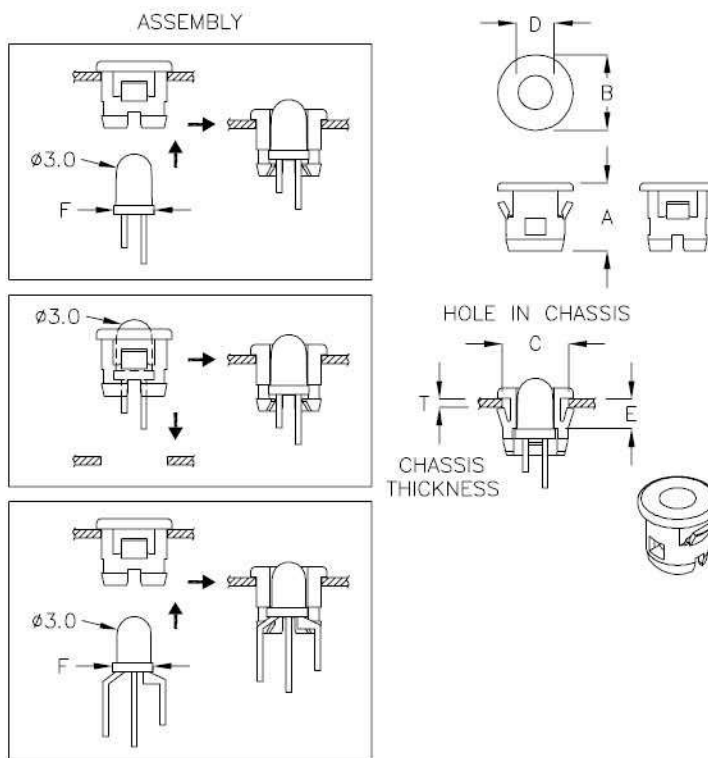
FORM.2



## LED 座 LED HOUSING

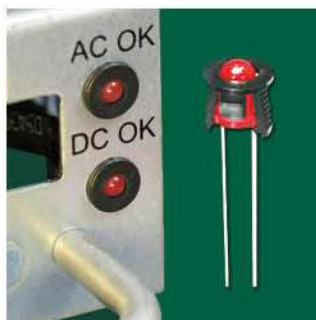
4-40-2

- MATERIAL: NYLON 66(UL)
- FLAME CLASS: 94V-2
- COLOR: BLACK



| FOR ø3 2PIN or 3PIN LED |     |      |                         |       |     |      |                           |         |
|-------------------------|-----|------|-------------------------|-------|-----|------|---------------------------|---------|
| PART NO                 | A   | B    | C<br>HOLE IN<br>CHASSIS | D     | E   | F    | T<br>CHASSIS<br>THICKNESS | PACKAGE |
| MLED-3A                 | 5.3 | ø6.0 | ø5.2                    | ø3.0  | 2.4 | ø3.2 | 0.6                       | 2000    |
| MLED-3GS                | 6.0 | ø6.7 | ø5.3                    | ø3.05 | 3.0 | ø3.8 | 0.8                       |         |

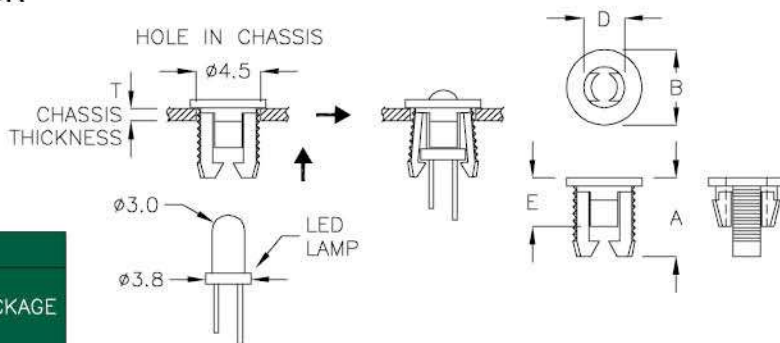




## LED 座 LED HOUSING

4-41-1

- MATERIAL: NYLON 66(UL)
- FLAME CLASS: 94V-2
- COLOR: BLACK



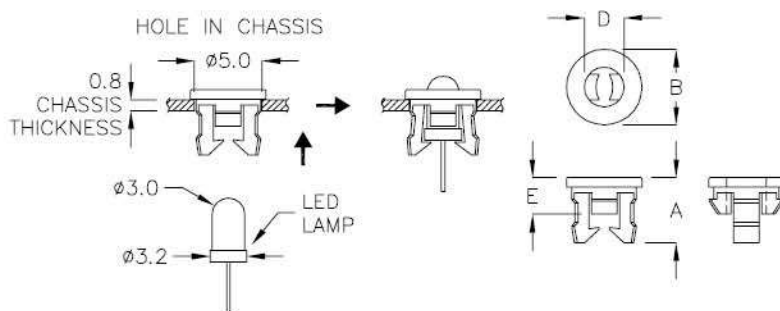
| FOR $\phi 3$ 2PIN LED |     |            |            |      |                           |         |
|-----------------------|-----|------------|------------|------|---------------------------|---------|
| PART NO               | A   | B          | D          | E    | T<br>CHASSIS<br>THICKNESS | PACKAGE |
| CLED-1J               | 5.7 | $\phi 5.5$ | $\phi 3.0$ | 3.5  | 0.8                       | 2000    |
| CLED-1K               | 5.7 | $\phi 5.5$ | $\phi 3.0$ | 3.5  | 1.2                       |         |
| CLED-1N               | 5.7 | $\phi 5.5$ | $\phi 3.0$ | 3.6  | 1.6                       |         |
| CLED-3D               | 5.9 | $\phi 5.5$ | $\phi 3.0$ | 3.45 | 1.0                       |         |
| CLED-6A               | 5.7 | $\phi 5.5$ | $\phi 3.1$ | 3.4  | 0.8                       |         |



## LED 座 LED HOUSING

4-41-2

- MATERIAL: PC(UL)
- FLAME CLASS: 94V-2
- COLOR: BLACK



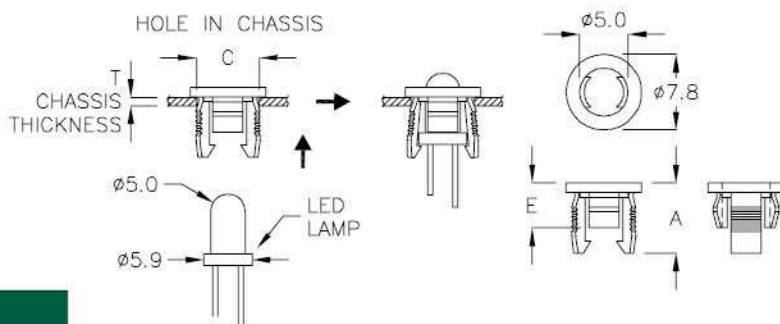
| FOR $\phi 3$ 2PIN LED |     |            |             |     |         |
|-----------------------|-----|------------|-------------|-----|---------|
| PART NO               | A   | B          | D           | E   | PACKAGE |
| CLED-3NX              | 4.8 | $\phi 5.6$ | $\phi 2.95$ | 2.7 | 2000    |



## LED 座 LED HOUSING

4-41-3

- MATERIAL: PC(UL)
- FLAME CLASS: 94V-2
- COLOR: BLACK



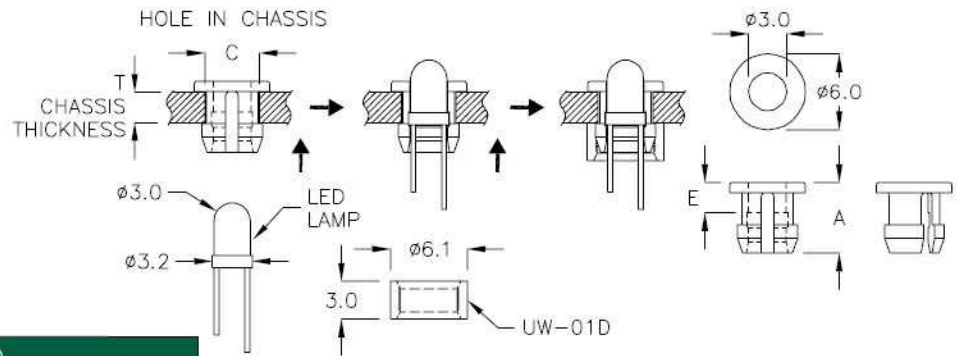
| FOR $\phi 5$ 2PIN LED |      |      |                         |                           |         |
|-----------------------|------|------|-------------------------|---------------------------|---------|
| PART NO               | A    | E    | C<br>HOLE IN<br>CHASSIS | T<br>CHASSIS<br>THICKNESS | PACKAGE |
| CLED-1AQ              | 7.25 | 4.65 | $\phi 6.3$              | 0.8~1.0                   | 2000    |
|                       |      |      | $\phi 6.5$              | 1.2~1.5                   |         |



## LED 座 LED HOUSING

4-42-1

- MATERIAL: NYLON 66(UL)
- FLAME CLASS: 94V-2
- COLOR: BLACK



| FOR ø3 2PIN LED |     |                         |     |                           |         |
|-----------------|-----|-------------------------|-----|---------------------------|---------|
| PART NO         | A   | C<br>HOLE IN<br>CHASSIS | E   | T<br>CHASSIS<br>THICKNESS | PACKAGE |
| CLED-4A         | 5.5 | ø4.15                   | 0.7 | 0.8                       | 2000    |
| CLED-4D         | 5.6 | ø4.2                    | 2.4 | 0.8~2.5                   |         |

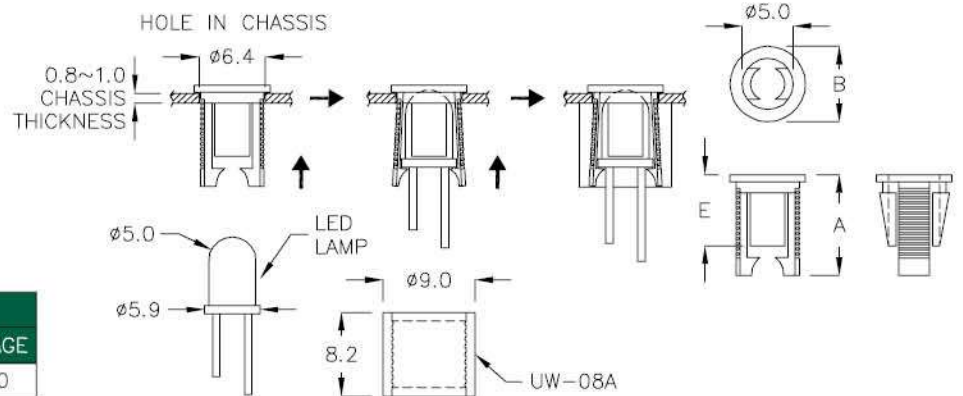
ALSO CAN ASSEMBLE WITH UW-01D (PAGE 13-22-4)



## LED 座 LED HOUSING

4-42-2

- MATERIAL: NYLON 66(UL)
- FLAME CLASS: 94V-2
- COLOR: BLACK



| FOR ø5 2PIN LED |     |      |      |         |
|-----------------|-----|------|------|---------|
| PART NO         | A   | B    | E    | PACKAGE |
| CLED-2K         | 9.9 | ø7.4 | 6.95 | 2000    |

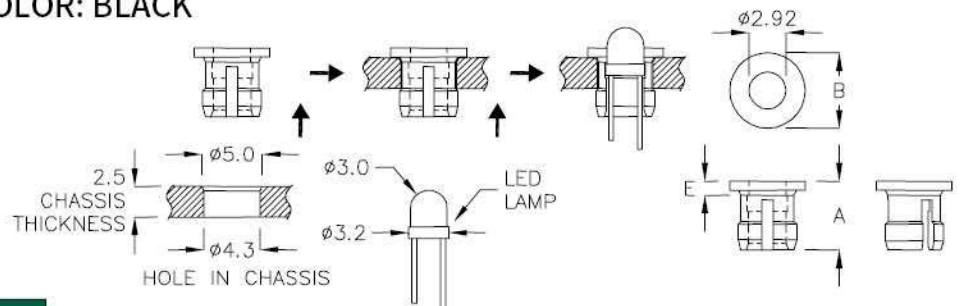
ALSO CAN ASSEMBLE WITH UW-08A (PAGE 13-22-4)



## LED 座 LED HOUSING

4-42-3

- MATERIAL: NYLON 66(UL)
- FLAME CLASS: 94V-2
- COLOR: BLACK



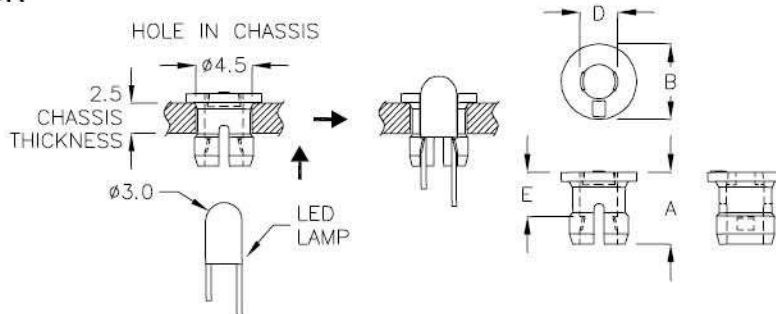
| FOR ø3 2PIN LED |      |      |      |         |
|-----------------|------|------|------|---------|
| PART NO         | A    | B    | E    | PACKAGE |
| CLED-4          | 5.46 | ø6.0 | 1.12 | 2000    |



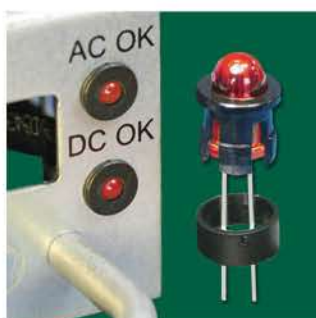
## LED 座 LED HOUSING

4-43-1

- MATERIAL: NYLON 66(UL)
- FLAME CLASS: 94V-2
- COLOR: BLACK

FOR  $\phi 3$  2PIN LED

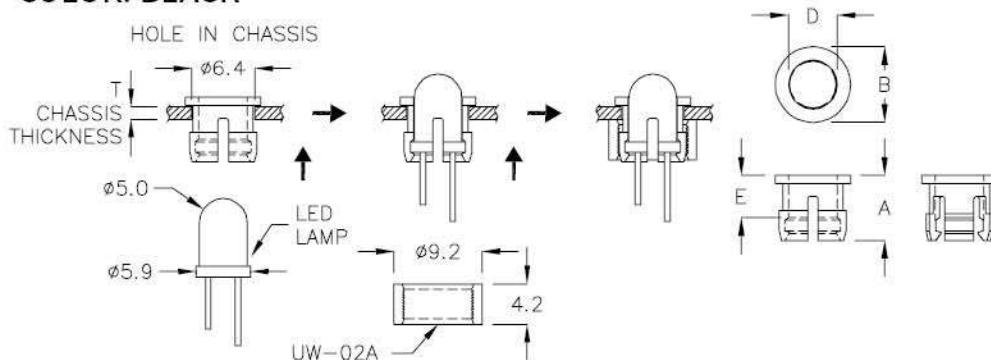
| PART NO  | A   | B          | D          | E   | PACKAGE |
|----------|-----|------------|------------|-----|---------|
| CLED-4FM | 5.7 | $\phi 6.0$ | $\phi 3.0$ | 3.5 | 2000    |



## LED 座 LED HOUSING

4-43-2

- MATERIAL: NYLON 66(UL)
- FLAME CLASS: 94V-2
- COLOR: BLACK

FOR  $\phi 5$  2PIN LED

| PART NO | A   | B          | D          | E    | T<br>CHASSIS<br>THICKNESS | PACKAGE |
|---------|-----|------------|------------|------|---------------------------|---------|
| CLED-5  | 6.8 | $\phi 7.9$ | $\phi 5.1$ | 4.45 | 0.8~2.6                   | 2000    |
| CLED-5A | 6.8 | $\phi 7.9$ | $\phi 5.1$ | 4.45 | 2.8                       |         |

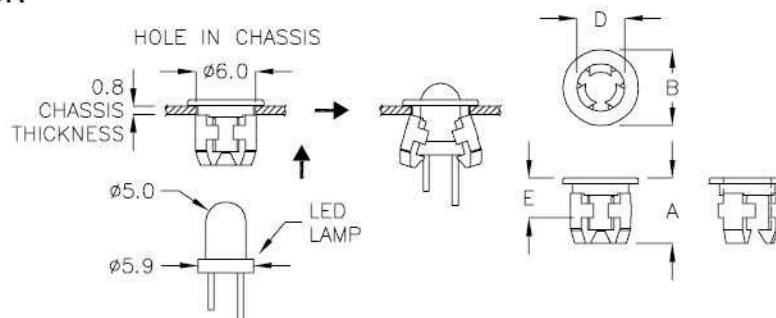
"CLED-5" ALSO CAN ASSEMBLE WITH UW-02A (PAGE 13-22-4)



## LED 座 LED HOUSING

4-43-3

- MATERIAL: NYLON 66(UL)
- FLAME CLASS: 94V-2
- COLOR: BLACK

FOR  $\phi 5$  2PIN LED

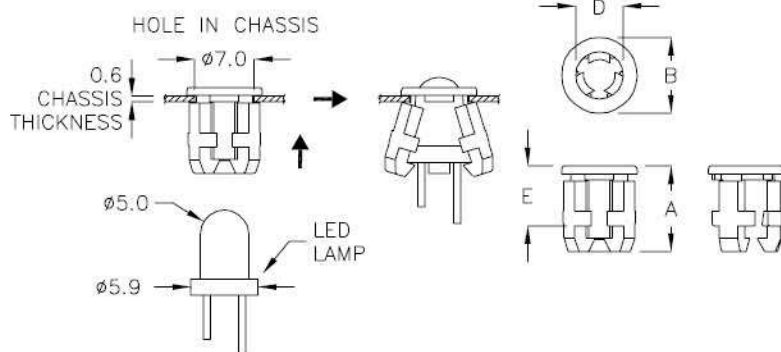
| PART NO  | A   | B          | D           | E   | PACKAGE |
|----------|-----|------------|-------------|-----|---------|
| YLED-5GK | 6.9 | $\phi 8.0$ | $\phi 5.05$ | 4.2 | 2000    |



## LED 座 LED HOUSING

4-44-1

- MATERIAL: NYLON 66(UL)
- FLAME CLASS: 94V-2
- COLOR: BLACK

FOR  $\phi 5$  2PIN LED

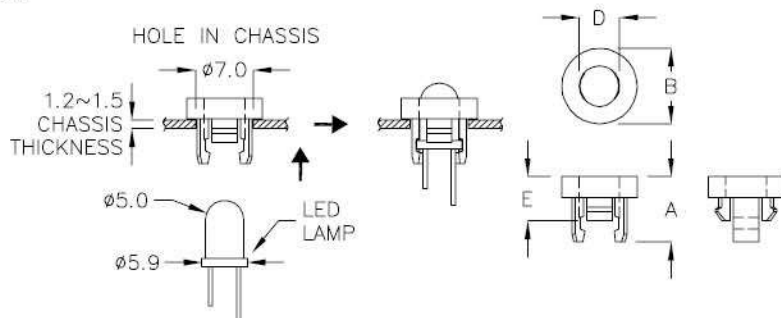
| PART NO  | A    | B          | D          | E   | PACKAGE |
|----------|------|------------|------------|-----|---------|
| GLED-5TC | 8.85 | $\phi 7.8$ | $\phi 4.9$ | 6.2 | 2000    |



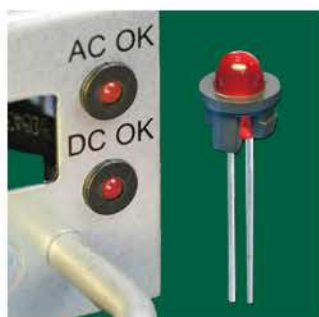
## LED 座 LED HOUSING

4-44-2

- MATERIAL: NYLON 66(UL)
- FLAME CLASS: 94V-2
- COLOR: BLACK

FOR  $\phi 5$  2PIN or 3PIN LED

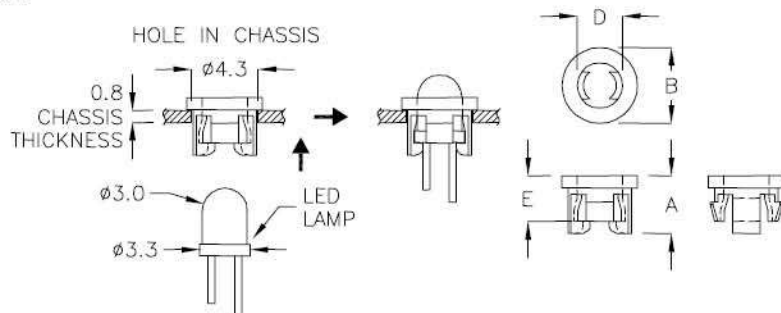
| PART NO | A   | B          | D          | E    | PACKAGE |
|---------|-----|------------|------------|------|---------|
| CLED-1L | 8.2 | $\phi 9.5$ | $\phi 5.1$ | 5.55 | 2000    |



## LED 座 LED HOUSING

4-44-3

- MATERIAL: NYLON 66(UL)
- FLAME CLASS: 94V-2
- COLOR: BLACK

FOR  $\phi 3$  2PIN or 3PIN LED

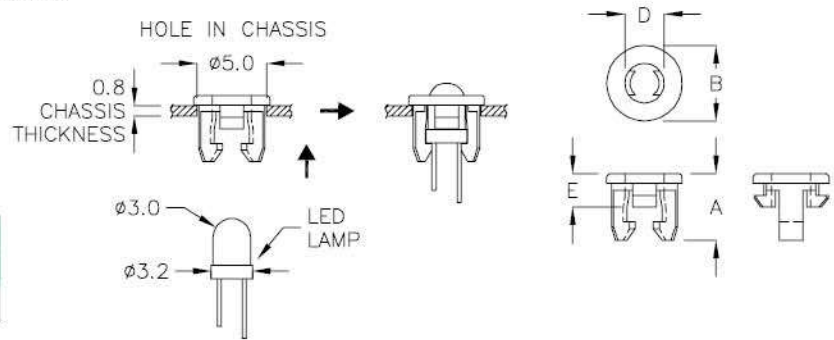
| PART NO | A   | B          | D          | E   | PACKAGE |
|---------|-----|------------|------------|-----|---------|
| CLED-2M | 3.8 | $\phi 5.0$ | $\phi 3.0$ | 3.0 | 2000    |



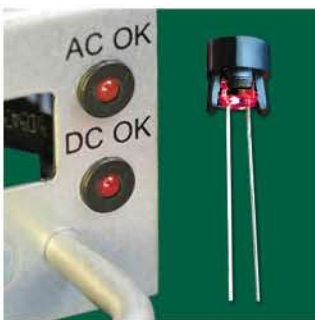
## LED 座 LED HOUSING

4-45-1

- MATERIAL: NYLON 66(UL)
- FLAME CLASS: 94V-2
- COLOR: BLACK

FOR  $\phi 3$  2PIN LED

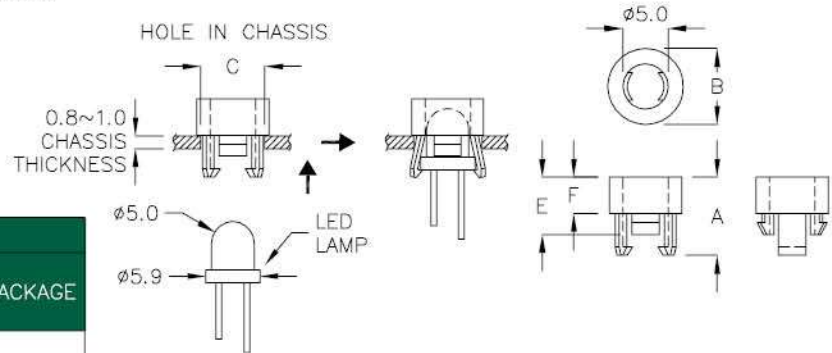
| PART NO  | A   | B          | D           | E    | PACKAGE |
|----------|-----|------------|-------------|------|---------|
| CLED-2AJ | 4.9 | $\phi 5.6$ | $\phi 2.95$ | 2.45 | 2000    |



## LED 座 LED HOUSING

4-45-2

- MATERIAL: NYLON 66(UL)
- FLAME CLASS: 94V-2
- COLOR: BLACK

FOR  $\phi 5$  2PIN or 3PIN LED

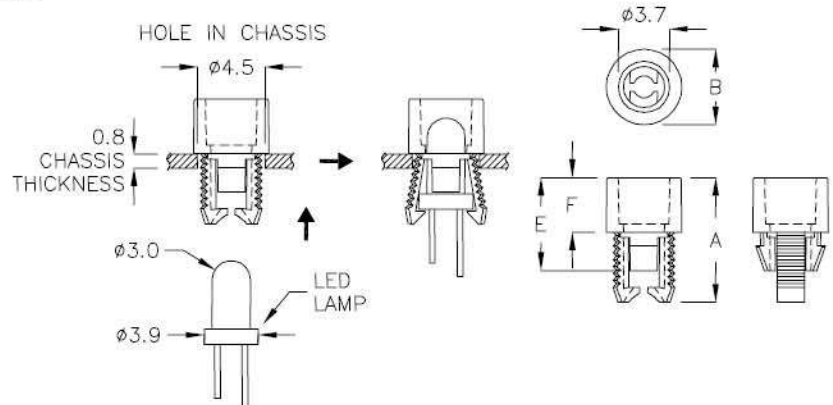
| PART NO  | A    | B          | C<br>HOLE IN<br>CHASSIS | E    | F   | PACKAGE |
|----------|------|------------|-------------------------|------|-----|---------|
| CLED-1M  | 8.5  | $\phi 7.9$ | $\phi 6.6$              | 6.3  | 4.0 | 2000    |
| CLED-1FC | 9.2  | $\phi 7.9$ | $\phi 6.5$              | 7.3  | 5.0 |         |
| CLED-1Q  | 10.3 | $\phi 7.9$ | $\phi 6.5$              | 8.4  | 6.1 |         |
| CLED-1R  | 13.8 | $\phi 7.9$ | $\phi 6.5$              | 11.9 | 9.6 |         |



## LED 座 LED HOUSING

4-45-3

- MATERIAL: NYLON 66(UL)
- FLAME CLASS: 94V-2
- COLOR: BLACK

FOR  $\phi 3$  2PIN or 3PIN LED

| PART NO  | A    | B          | E    | F    | PACKAGE |
|----------|------|------------|------|------|---------|
| CLED-1GK | 9.05 | $\phi 5.5$ | 6.75 | 3.95 | 2000    |



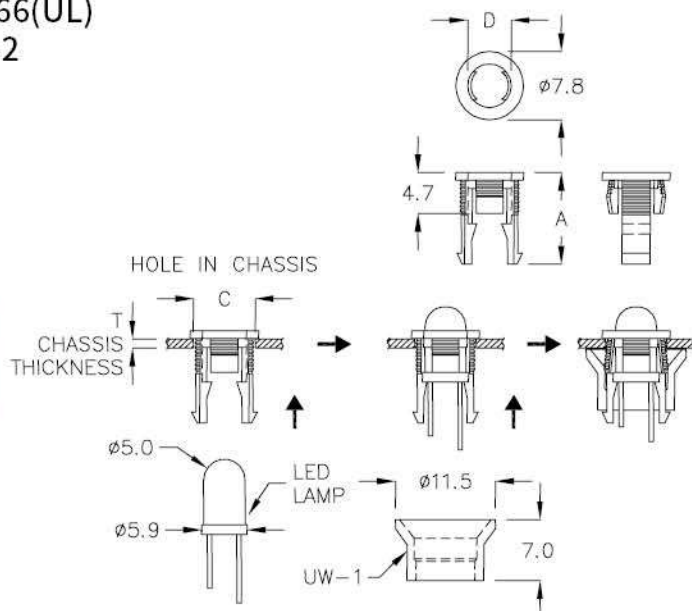
## LED 座 LED HOUSING

4-46-1

- MATERIAL: NYLON 66(UL)
- FLAME CLASS: 94V-2
- COLOR: BLACK

| FOR $\phi 5$ 2PIN LED |      |                         |            |                           |         |
|-----------------------|------|-------------------------|------------|---------------------------|---------|
| PART NO               | A    | C<br>HOLE IN<br>CHASSIS | D          | T<br>CHASSIS<br>THICKNESS | PACKAGE |
| CLED-2                | 10.5 | $\phi 6.5$              | $\phi 5.0$ | 1.0                       | 2000    |
| CLED-10YS             | 10.5 | $\phi 6.2$              | $\phi 5.1$ | 0.7~1.0                   |         |

ALSO CAN ASSEMBLE WITH UW-1 (PAGE 13-21-4)



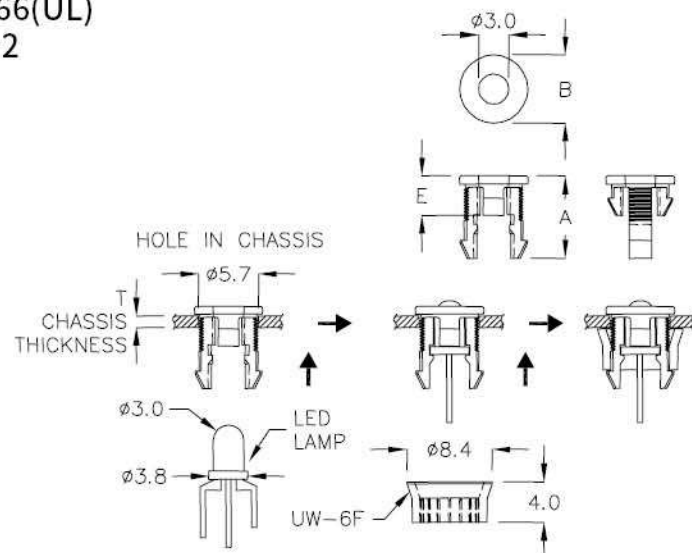
## LED 座 LED HOUSING

4-46-2

- MATERIAL: NYLON 66(UL)
- FLAME CLASS: 94V-2
- COLOR: BLACK

| FOR $\phi 3$ 3PIN LED |     |            |     |                           |         |
|-----------------------|-----|------------|-----|---------------------------|---------|
| PART NO               | A   | B          | E   | T<br>CHASSIS<br>THICKNESS | PACKAGE |
| CLED-6D               | 8.1 | $\phi 6.7$ | 3.9 | 1.2                       | 2000    |
| CLED-6F               | 7.7 | $\phi 6.7$ | 3.5 | 0.8                       |         |

ALSO CAN ASSEMBLE WITH UW-6F (PAGE 13-22-1)



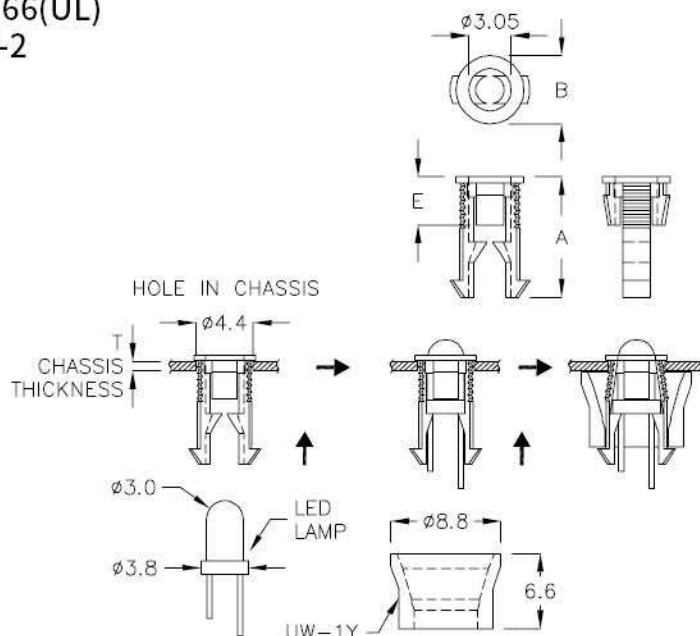
## LED 座 LED HOUSING

4-46-3

- MATERIAL: NYLON 66(UL)
- FLAME CLASS: 94V-2
- COLOR: BLACK

| FOR $\phi 3$ 2PIN LED |      |            |     |                           |         |
|-----------------------|------|------------|-----|---------------------------|---------|
| PART NO               | A    | B          | E   | T<br>CHASSIS<br>THICKNESS | PACKAGE |
| CLED-2P               | 9.35 | $\phi 4.9$ | 3.5 | 0.8                       | 2000    |

ALSO CAN ASSEMBLE WITH UW-1Y (PAGE 13-21-4)





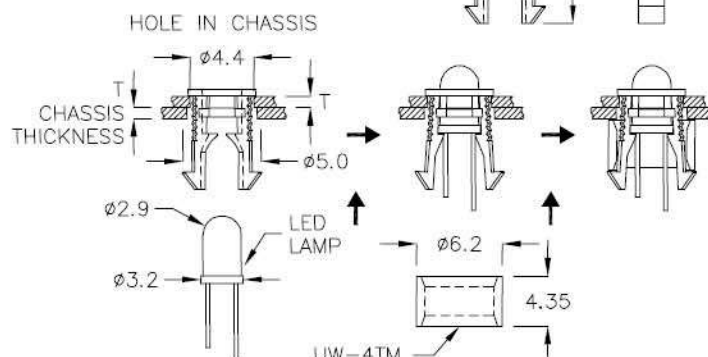
## LED 座 LED HOUSING

4-47-1

- MATERIAL: NYLON 66(UL)
- FLAME CLASS: 94V-2
- COLOR: BLACK

| FOR $\phi 3$ 2PIN LED |      |            |                           |         |
|-----------------------|------|------------|---------------------------|---------|
| PART NO               | A    | B          | T<br>CHASSIS<br>THICKNESS | PACKAGE |
| CLED-7WP              | 7.85 | $\phi 4.9$ | 0.8                       | 2000    |

ALSO CAN ASSEMBLE WITH UW-4TM (PAGE 13-22-2)

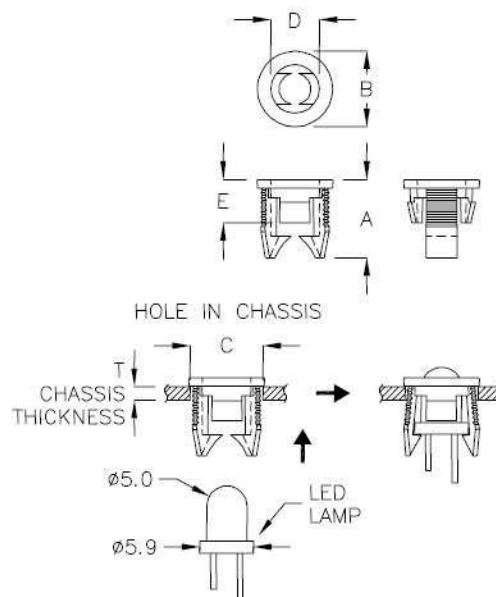


## LED 座 LED HOUSING

4-47-2

- MATERIAL: NYLON 66(UL)
- FLAME CLASS: 94V-2
- COLOR: BLACK

| FOR $\phi 5$ 2PIN LED |      |            |                         |            |      |                           |         |
|-----------------------|------|------------|-------------------------|------------|------|---------------------------|---------|
| PART NO               | A    | B          | C<br>HOLE IN<br>CHASSIS | D          | E    | T<br>CHASSIS<br>THICKNESS | PACKAGE |
| CLED-1D               | 8.05 | $\phi 7.8$ | $\phi 6.5$              | $\phi 5.0$ | 4.45 | 0.8~1.1                   | 2000    |
| CLED-4C               | 6.3  | $\phi 7.8$ | $\phi 6.0$              | $\phi 5.0$ | 3.9  | 0.8~1.1                   |         |
| CLED-6                | 8.0  | $\phi 7.8$ | $\phi 7.0$              | $\phi 5.1$ | 4.6  | 0.8~0.9                   |         |

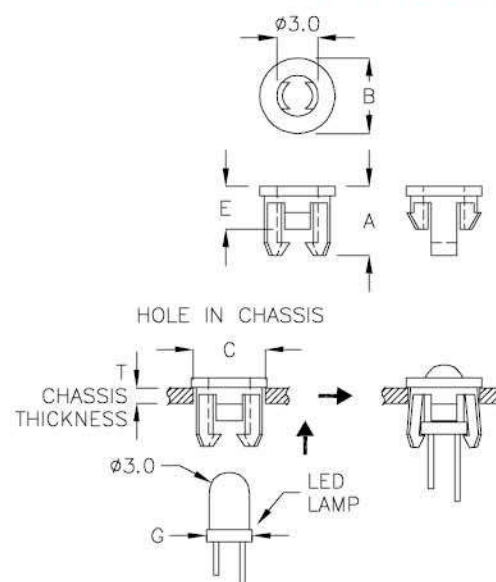


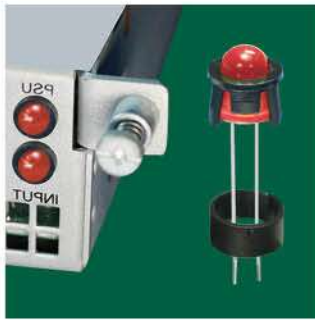
## LED 座 LED HOUSING

4-47-3

- MATERIAL: NYLON 66(UL)
- FLAME CLASS: 94V-2
- COLOR: BLACK

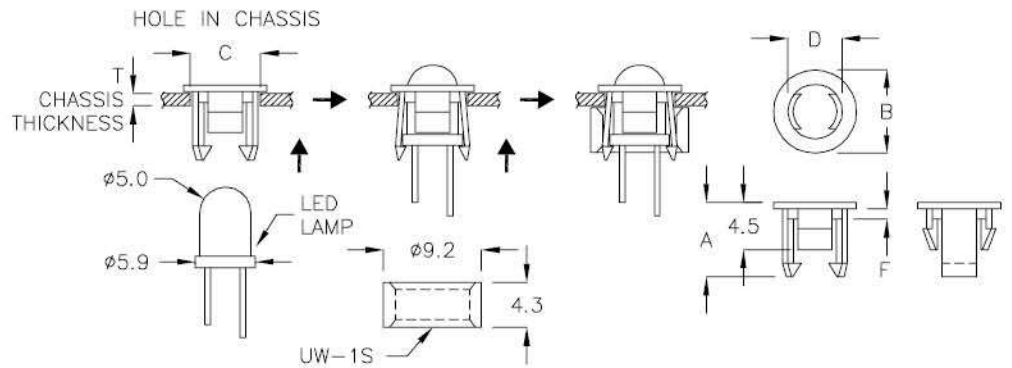
| FOR $\phi 3$ 2PIN LED |      |            |                         |      |                           |                          |         |
|-----------------------|------|------------|-------------------------|------|---------------------------|--------------------------|---------|
| PART NO               | A    | B          | C<br>HOLE IN<br>CHASSIS | E    | T<br>CHASSIS<br>THICKNESS | G<br>LED LAMP            | PACKAGE |
| CLED-1H               | 5.0  | $\phi 5.5$ | $\phi 5.0$              | 3.15 | 1.0~1.1                   | $\phi 3.9$               | 2000    |
| CLED-3F               | 6.4  | $\phi 5.5$ | $\phi 4.5$              | 4.2  | 0.8                       | $\phi 3.9$               |         |
| CLED-3GX              | 8.15 | $\phi 5.5$ | $\phi 4.5$              | 5.95 | 4.0                       | $\phi 3.3 \sim \phi 3.5$ |         |
| CLED-3Q               | 4.8  | $\phi 5.6$ | $\phi 5.0$              | 2.7  | 0.7~0.9                   | $\phi 3.3 \sim \phi 3.5$ |         |
| CLED-2D               | 5.2  | $\phi 5.6$ | $\phi 5.0$              | 3.1  | 0.8                       | $\phi 3.9$               |         |
| CLED-1W               | 5.5  | $\phi 5.8$ | $\phi 4.7$              | 3.0  | 1.2~1.3                   | $\phi 3.9$               |         |





## LED 座 LED HOUSING 4-48-1

- MATERIAL: NYLON 66(UL)
- FLAME CLASS: 94V-2
- COLOR: BLACK



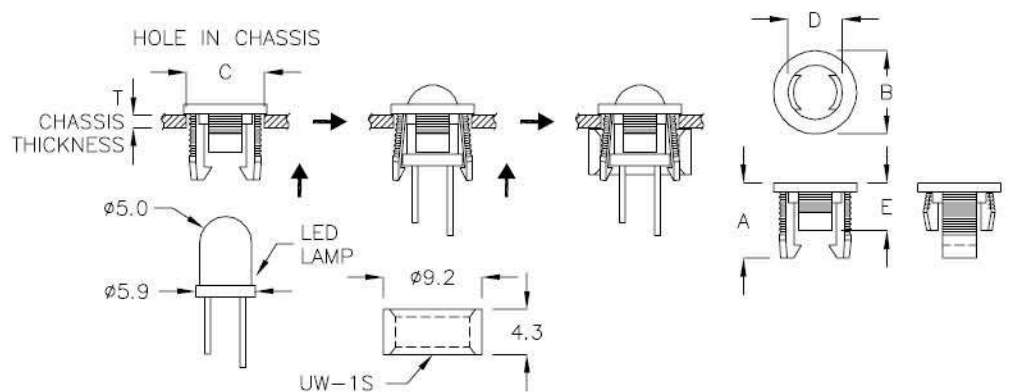
| FOR ø5 2PIN LED |     |      |                         |      |     |                           |         |
|-----------------|-----|------|-------------------------|------|-----|---------------------------|---------|
| PART NO         | A   | B    | C<br>HOLE IN<br>CHASSIS | D    | F   | T<br>CHASSIS<br>THICKNESS | PACKAGE |
| CLED-1S         | 7.0 | ø7.8 | ø6.2                    | ø5.1 | 1.0 | 1.0~1.6                   | 2000    |
| CLED-1T         | 6.9 | ø7.8 | ø6.2                    | ø5.1 | 1.9 | 1.0~1.6                   |         |
| CLED-1U         | 7.0 | ø7.8 | ø6.2                    | ø5.1 | 0.2 | 1.0                       |         |

"CLED-1S" ALSO CAN ASSEMBLE WITH UW-1S (PAGE 13-22-2)



## LED 座 LED HOUSING 4-48-2

- MATERIAL: NYLON 66(UL)
- FLAME CLASS: 94V-2
- COLOR: BLACK



| FOR ø5 2PIN LED |      |      |                         |      |      |                           |         |
|-----------------|------|------|-------------------------|------|------|---------------------------|---------|
| PART NO         | A    | B    | C<br>HOLE IN<br>CHASSIS | D    | E    | T<br>CHASSIS<br>THICKNESS | PACKAGE |
| CLED-1          | 7.15 | ø7.8 | ø6.5                    | ø5.0 | 4.4  | 0.8~1.6                   | 2000    |
| CLED-1A         | 7.05 | ø7.8 | ø6.2                    | ø5.0 | 4.45 | 1.0~1.6                   |         |

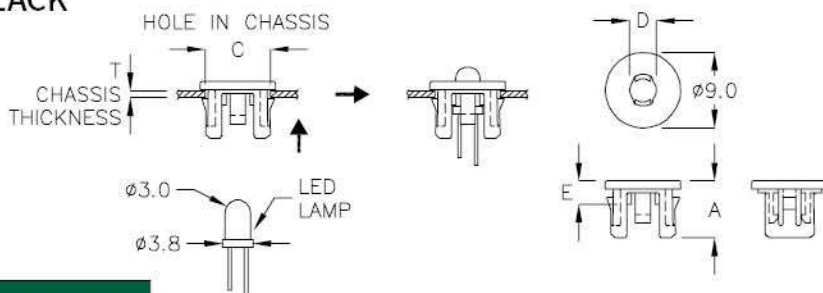
ALSO CAN ASSEMBLE WITH UW-1S (PAGE 13-22-2)



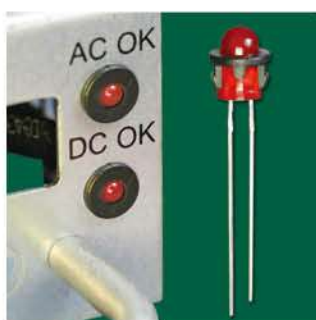


## LED 座 LED HOUSING ————— 4-49-1 |

- MATERIAL: NYLON 66(UL)
- FLAME CLASS: 94V-2
- COLOR: BLACK

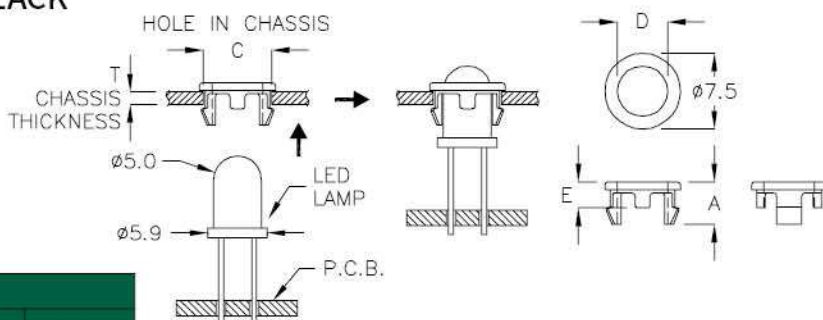
FOR  $\phi 3$  2PIN LED

| PART NO  | A   | C<br>HOLE IN<br>CHASSIS | D          | E   | T<br>CHASSIS<br>THICKNESS | PACKAGE |
|----------|-----|-------------------------|------------|-----|---------------------------|---------|
| QLED-3AK | 6.8 | $\phi 7.6$              | $\phi 3.2$ | 2.8 | 0.6~0.8                   | 2000    |



## LED 座 LED HOUSING ————— 4-49-2 |

- MATERIAL: NYLON 66(UL)
- FLAME CLASS: 94V-2
- COLOR: BLACK

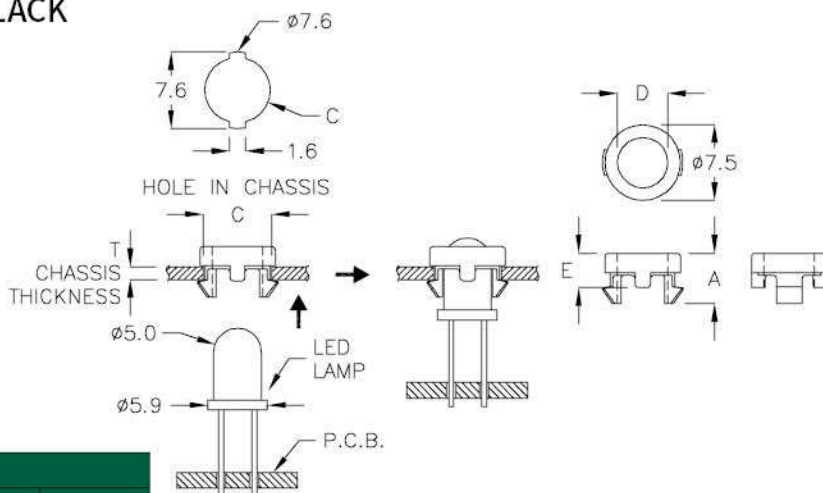
FOR  $\phi 5$  2PIN LED

| PART NO | A   | C<br>HOLE IN<br>CHASSIS | D          | E   | T<br>CHASSIS<br>THICKNESS | PACKAGE |
|---------|-----|-------------------------|------------|-----|---------------------------|---------|
| FLED-5C | 4.2 | $\phi 6.5$              | $\phi 5.0$ | 2.6 | 1.5                       | 2000    |



## LED 座 LED HOUSING ————— 4-49-3 |

- MATERIAL: NYLON 66(UL)
- FLAME CLASS: 94V-2
- COLOR: BLACK

FOR  $\phi 5$  2PIN LED

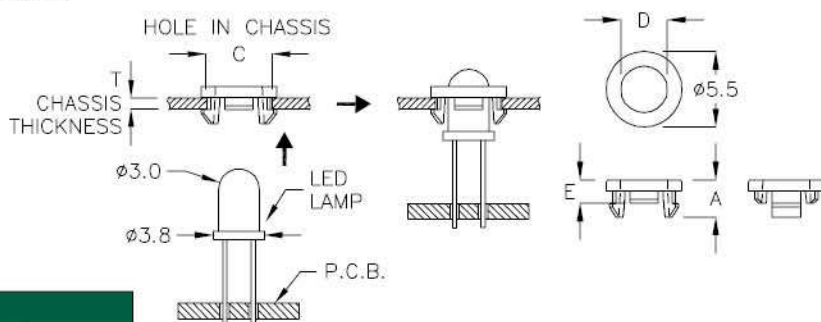
| PART NO  | A   | C<br>HOLE IN<br>CHASSIS | D          | E   | T<br>CHASSIS<br>THICKNESS | PACKAGE |
|----------|-----|-------------------------|------------|-----|---------------------------|---------|
| FLED-5HK | 5.0 | $\phi 6.5$              | $\phi 5.0$ | 3.4 | 1.2                       | 2000    |



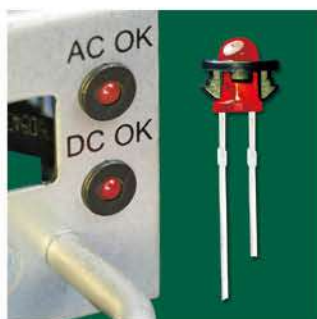
## LED 套 LED HOLDER

4-50-1

- MATERIAL: NYLON 66(UL)
- FLAME CLASS: 94V-2, 94V-0
- COLOR: BLACK



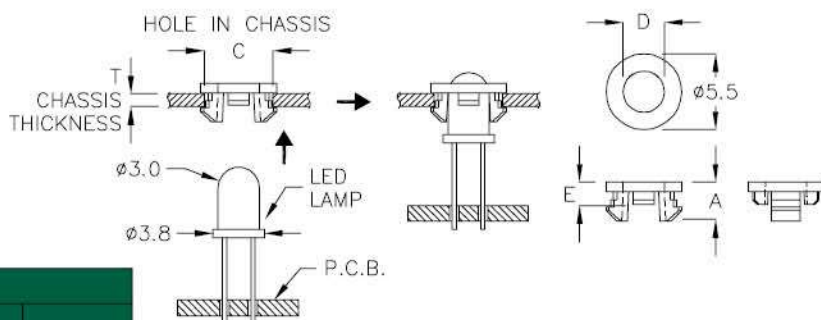
| FOR ø3 2PIN LED |     |                   |      |     |                     |         |
|-----------------|-----|-------------------|------|-----|---------------------|---------|
| PART NO         | A   | C HOLE IN CHASSIS | D    | E   | T CHASSIS THICKNESS | PACKAGE |
| CLA-3FM         | 2.5 | ø4.7              | ø3.0 | 2.0 | 0.6                 | 2000    |
| CLA-03          | 2.7 | ø4.7              | ø3.0 | 1.7 | 0.8                 |         |



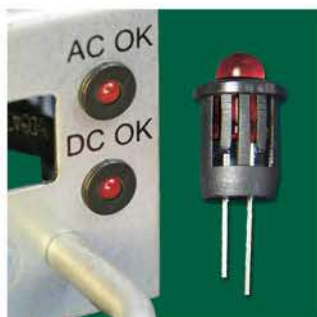
## LED 套 LED HOLDER

4-50-2

- MATERIAL: NYLON 66(UL)
- FLAME CLASS: 94V-2
- COLOR: BLACK



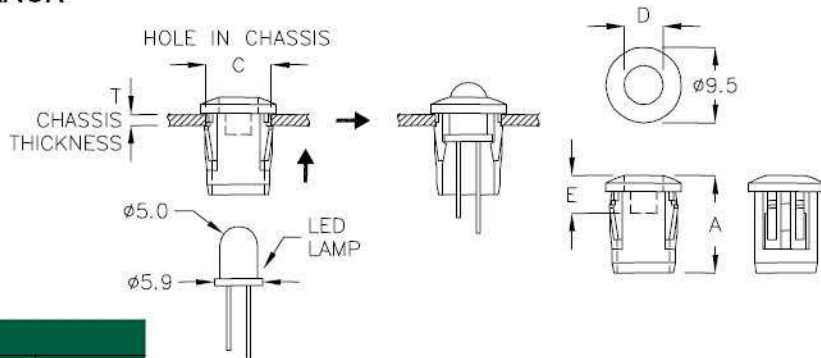
| FOR ø3 2PIN LED |     |                   |      |     |                     |         |
|-----------------|-----|-------------------|------|-----|---------------------|---------|
| PART NO         | A   | C HOLE IN CHASSIS | D    | E   | T CHASSIS THICKNESS | PACKAGE |
| CLA-3AR         | 2.8 | ø4.9              | ø3.0 | 1.6 | 1.0                 | 2000    |



## LED 座 LED HOUSING

4-50-3

- MATERIAL: NYLON 66(UL)
- FLAME CLASS: 94V-2
- COLOR: BLACK



| FOR ø5 2PIN LED |      |                   |      |     |                     |         |
|-----------------|------|-------------------|------|-----|---------------------|---------|
| PART NO         | A    | C HOLE IN CHASSIS | D    | E   | T CHASSIS THICKNESS | PACKAGE |
| EEA-1C          | 12.2 | ø8.0              | ø4.9 | 4.7 | 0.8~1.5             | 2000    |
| EEA-12D         | 12.2 | ø8.0              | ø4.9 | 4.7 | 2.0                 |         |

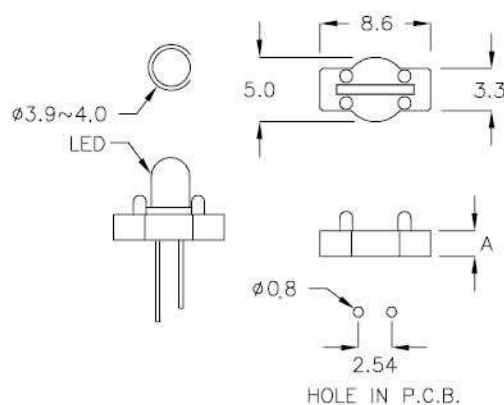


## LED 套 LED HOLDER

4-51-1

- MATERIAL: NYLON 66(UL)
- FLAME CLASS: 94V-2
- COLOR: BLACK

| FOR $\phi 3$ 2PIN LED |     |         |
|-----------------------|-----|---------|
| PART NO               | A   | PACKAGE |
| LES-02                | 2.0 | 2000    |

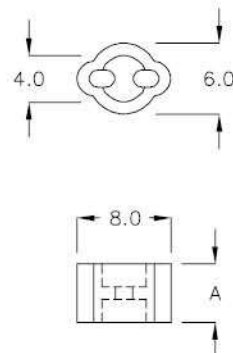


## LED 套 LED HOLDER

4-51-2

- MATERIAL: NYLON 66(UL)
- FLAME CLASS: 94V-2
- COLOR: NATURAL

| FOR $\phi 5$ 2PIN LED |     |         |
|-----------------------|-----|---------|
| PART NO               | A   | PACKAGE |
| LES-5                 | 5.0 | 2000    |

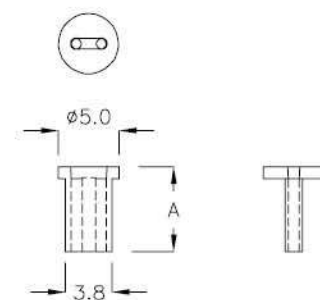


## LED 套 LED HOLDER

4-51-3

- MATERIAL: NYLON 66(UL)
- FLAME CLASS: 94V-2
- COLOR: NATURAL

| FOR $\phi 5$ 2PIN LED |     |         |
|-----------------------|-----|---------|
| PART NO               | A   | PACKAGE |
| LEZ-7                 | 7.0 | 2000    |

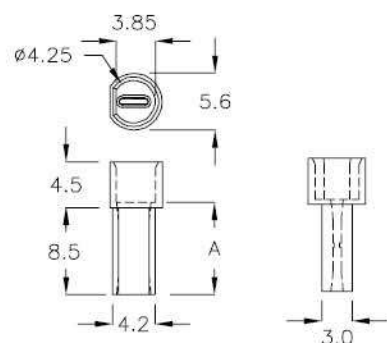


## LED 套 LED HOLDER

4-51-4

- MATERIAL: NYLON 66(UL)
- FLAME CLASS: 94V-2
- COLOR: NATURAL

| FOR $\phi 3$ 2PIN LED |     |         |
|-----------------------|-----|---------|
| PART NO               | A   | PACKAGE |
| EQC-09                | 9.0 | 500     |

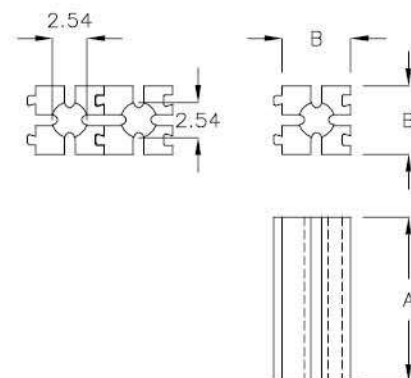




## LED 套 LED HOLDER

- MATERIAL: NYLON 66(UL)
- FLAME CLASS: 94V-2
- COLOR: NATURAL, BLACK

| FOR $\phi 5$ 2PIN LED |      |     |         |
|-----------------------|------|-----|---------|
| PART NO               | A    | B   | PACKAGE |
| LEDX-3                | 3.0  | 5.0 | 2000    |
| LEDX-4                | 4.0  |     |         |
| LEDX-5                | 5.0  |     |         |
| LEDX-6                | 6.0  |     |         |
| LEDX-7                | 7.0  |     |         |
| LEDX-8                | 8.0  |     |         |
| LEDX-9                | 9.0  | 5.0 | 1000    |
| LEDX-10               | 10.0 |     |         |
| LEDX-11               | 11.0 |     |         |
| LEDX-12               | 12.0 |     |         |



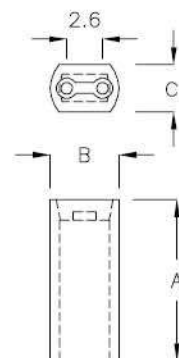
## 4-52-1



## LED 套 LED HOLDER

- MATERIAL: NYLON 66(UL)
- FLAME CLASS: 94V-2
- COLOR: NATURAL

| FOR $\phi 5$ 2PIN LED |      |     |     |         |
|-----------------------|------|-----|-----|---------|
| PART NO               | A    | B   | C   | PACKAGE |
| QBF-15                | 15.0 | 5.0 | 3.4 | 1000    |



## 4-52-2

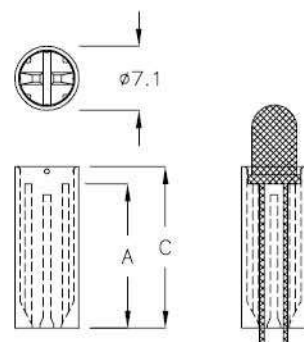


## LED 套 LED HOLDER

- MATERIAL: NYLON 66(UL)
- FLAME CLASS: 94V-2
- COLOR: NATURAL

Built-In Clamp Function

| FOR $\phi 5$ 2PIN LED |      |      |         |
|-----------------------|------|------|---------|
| PART NO               | A    | C    | PACKAGE |
| LED-18                | 16.0 | 18.0 | 1000    |



## 4-52-3



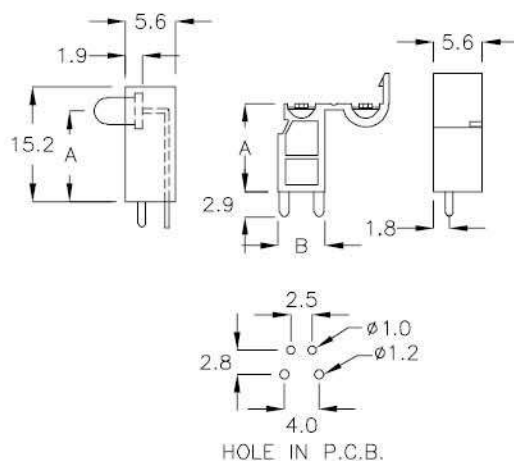
## LED 座 LED HOUSING

4-13-1

- MATERIAL: NYLON 66(UL)
- FLAME CLASS: 94V-2
- COLOR: NATURAL

Built-In Clamp Function

| FOR $\phi 3$ 2PIN LED |      |     |         |
|-----------------------|------|-----|---------|
| PART NO               | A    | B   | PACKAGE |
| LJA-12A               | 12.5 | 5.4 | 500     |



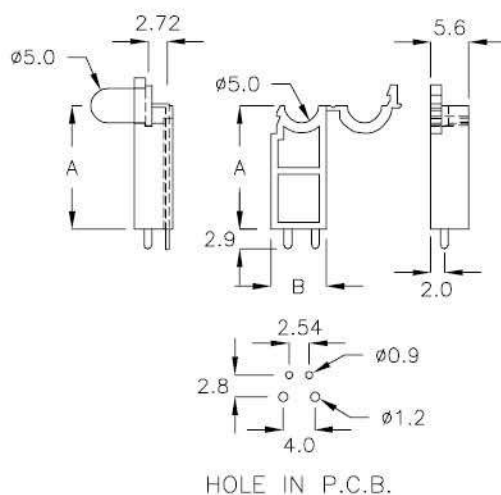
## LED 座 LED HOUSING

4-13-2

- MATERIAL: NYLON 66(UL)
- FLAME CLASS: 94V-2
- COLOR: BLACK

Built-In Clamp Function

| FOR $\phi 5$ 2PIN LED |      |     |         |
|-----------------------|------|-----|---------|
| PART NO               | A    | B   | PACKAGE |
| QLJ-18                | 18.0 | 8.1 | 500     |



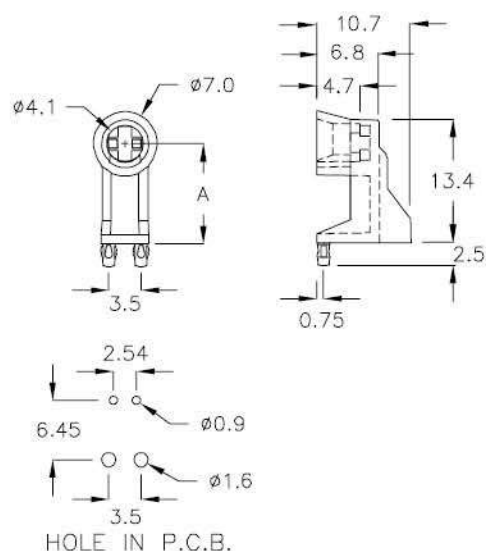
## LED 座 LED HOUSING

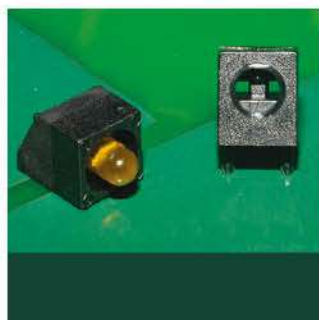
4-13-3

- MATERIAL: NYLON 66(UL)
- FLAME CLASS: 94V-2
- COLOR: BLACK

Built-In Clamp Function

| FOR $\phi 3$ 2PIN LED |      |         |
|-----------------------|------|---------|
| PART NO               | A    | PACKAGE |
| QQD-10A               | 10.9 | 500     |

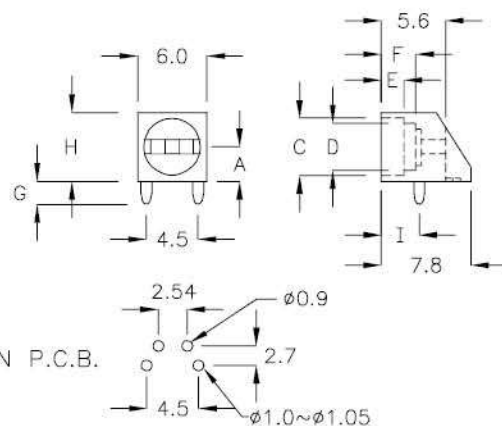




## LED 座 LED HOUSING

- MATERIAL: NYLON 66(UL)
- FLAME CLASS: 94V-2
- COLOR: BLACK

4-14-1



Built-In Clamp Function

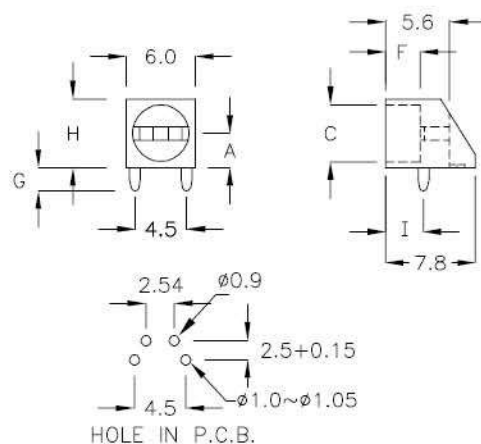
| FOR $\phi 5$ , $\phi 3$ 2PIN LED |     |            |            |     |     |     |     |     |         |
|----------------------------------|-----|------------|------------|-----|-----|-----|-----|-----|---------|
| PART NO                          | A   | C          | D          | E   | F   | G   | H   | I   | PACKAGE |
| LED-2C                           | 3.0 | $\phi 5.0$ | $\phi 4.1$ | 2.7 | 4.2 | 3.2 | 6.0 | 3.3 | 1000    |
| LED-2Y                           | 3.0 | $\phi 5.0$ | $\phi 4.1$ | 2.0 | 3.0 | 3.2 | 6.0 | 3.4 |         |



## LED 座 LED HOUSING

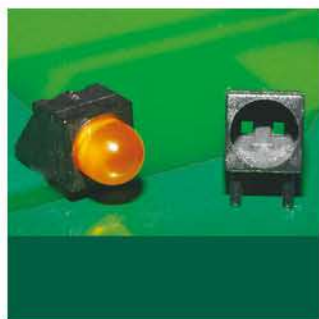
- MATERIAL: NYLON 66(UL)
- FLAME CLASS: 94V-2
- COLOR: BLACK

4-14-2



Built-In Clamp Function

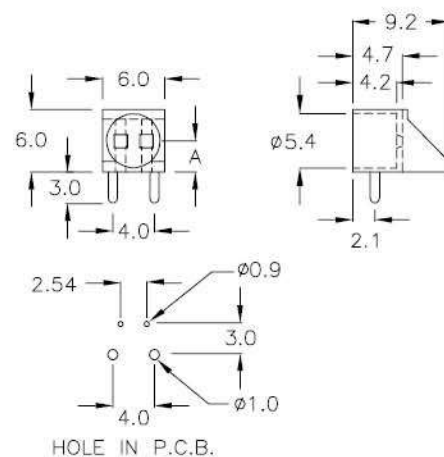
| FOR $\phi 3$ 2PIN LED |     |            |     |     |     |     |         |
|-----------------------|-----|------------|-----|-----|-----|-----|---------|
| PART NO               | A   | C          | F   | G   | H   | I   | PACKAGE |
| LED-3Y                | 4.0 | $\phi 4.1$ | 1.4 | 2.5 | 7.0 | 3.3 | 1000    |
| LED-3YK               | 4.0 | $\phi 3.3$ | 1.4 | 2.5 | 7.0 | 3.3 |         |
| LED-4Y                | 3.0 | $\phi 4.1$ | 1.4 | 1.5 | 6.0 | 3.3 |         |



## LED 座 LED HOUSING

- MATERIAL: NYLON 66(UL)
- FLAME CLASS: 94V-2
- COLOR: BLACK

4-14-3

FOR  $\phi 5$  2PIN LED

| PART NO | A   | PACKAGE |
|---------|-----|---------|
| LED-5Y  | 3.0 | 500     |

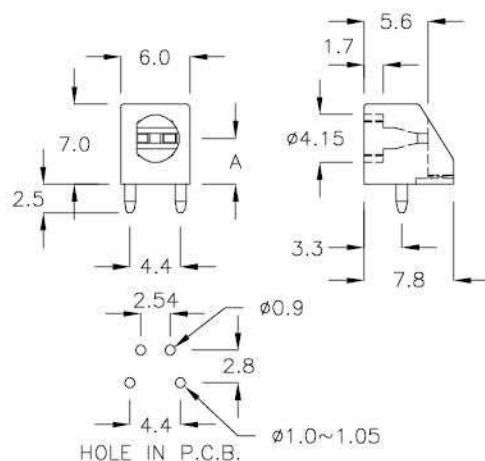


## LED 座 LED HOUSING

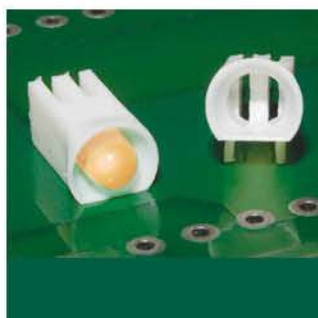
- MATERIAL: NYLON 66(UL)
- FLAME CLASS: 94V-2
- COLOR: BLACK

Built-In Clamp Function

| FOR $\phi 3$ 2PIN LED |     |         |
|-----------------------|-----|---------|
| PART NO               | A   | PACKAGE |
| LED-4WK               | 4.0 | 1000    |



4-15-1

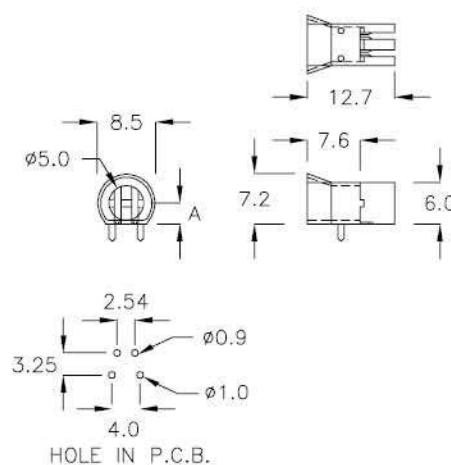


## LED 座 LED HOUSING

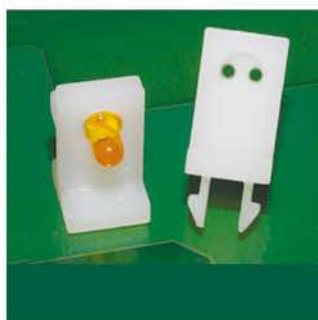
- MATERIAL: NYLON 66(UL)
- FLAME CLASS: 94V-2
- COLOR: NATURAL

Built-In Clamp Function

| FOR $\phi 5$ 2PIN LED |     |         |
|-----------------------|-----|---------|
| PART NO               | A   | PACKAGE |
| ELA-01                | 3.0 | 500     |



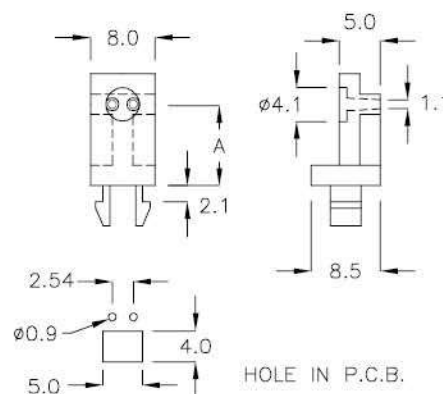
4-15-2



## LED 座 LED HOUSING

- MATERIAL: NYLON 66(UL)
- FLAME CLASS: 94V-2
- COLOR: NATURAL

| FOR $\phi 5$ 2PIN LED |      |         |
|-----------------------|------|---------|
| PART NO               | A    | PACKAGE |
| LED-10Y               | 10.0 | 500     |



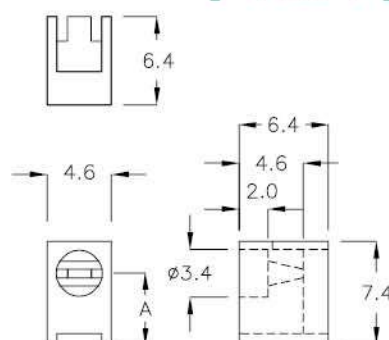
4-15-3



## LED 座 LED HOUSING

- MATERIAL: NYLON 66(UL)
- FLAME CLASS: 94V-2
- COLOR: BLACK

| FOR $\phi 3$ 2PIN LED |     |         |
|-----------------------|-----|---------|
| PART NO               | A   | PACKAGE |
| LEF5-5                | 5.1 | 1000    |



4-15-4

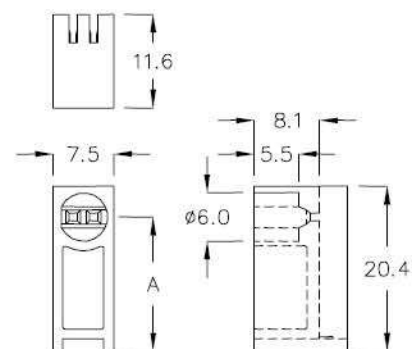


## LED 座 LED HOUSING

- MATERIAL: NYLON 66(UL)
- FLAME CLASS: 94V-2
- COLOR: BLACK

Built-In Clamp Function

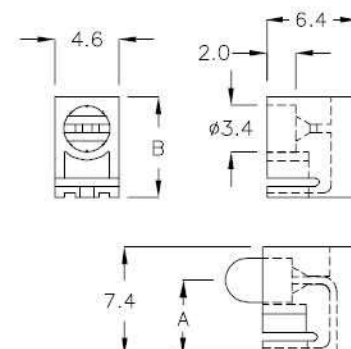
| FOR $\phi 5$ 2PIN LED |      |         |  |
|-----------------------|------|---------|--|
| PART NO               | A    | PACKAGE |  |
| LEF-16HF              | 16.6 | 500     |  |



## LED 座 LED HOUSING

- MATERIAL: NYLON 66(UL)
- FLAME CLASS: 94V-2
- COLOR: BLACK

| FOR $\phi 3$ 2PIN LED |     |     |         |
|-----------------------|-----|-----|---------|
| PART NO               | A   | B   | PACKAGE |
| LMD-5A                | 5.1 | 7.3 | 1000    |

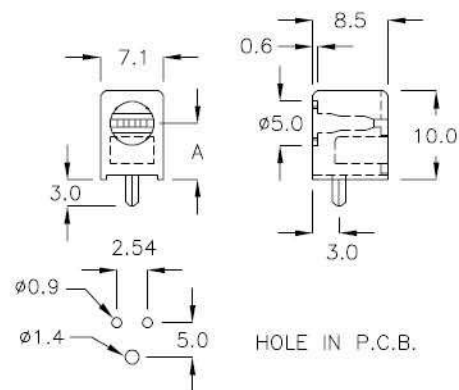


## LED 座 LED HOUSING

- MATERIAL: NYLON 66(UL)
- FLAME CLASS: 94V-2
- COLOR: BLACK

Built-In Clamp Function

| FOR $\phi 5$ 2PIN LED |      |         |
|-----------------------|------|---------|
| PART NO               | A    | PACKAGE |
| EEW-6A                | 6.35 | 1000    |

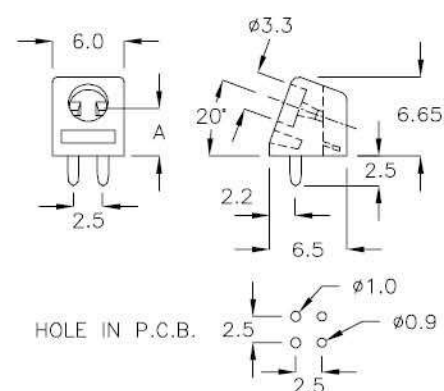


## LED 座 LED HOUSING

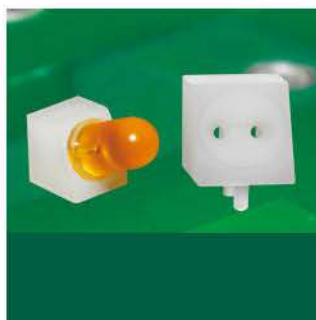
- MATERIAL: NYLON 66(UL)
- FLAME CLASS: 94V-2
- COLOR: NATURAL

Built-In Clamp Function

| FOR $\phi 3$ 2PIN LED |     |         |
|-----------------------|-----|---------|
| PART NO               | A   | PACKAGE |
| LET3-4AK              | 4.0 | 1000    |



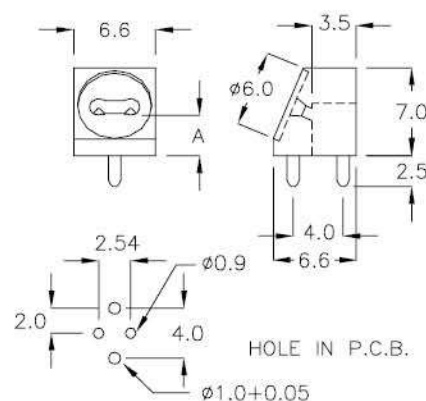




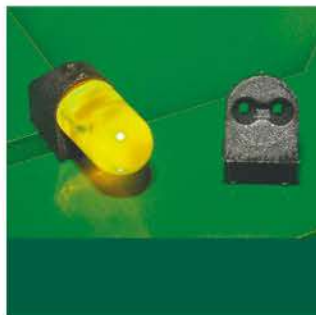
## LED 座 LED HOUSING

- MATERIAL: NYLON 66(UL)
- FLAME CLASS: 94V-2
- COLOR: NATURAL, BLACK

| FOR $\phi 5$ 2PIN LED |     |         |
|-----------------------|-----|---------|
| PART NO               | A   | PACKAGE |
| LET5-3T               | 3.3 | 1000    |



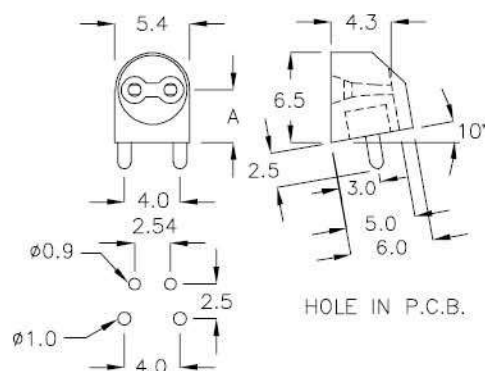
4-17-1



## LED 座 LED HOUSING

- MATERIAL: NYLON 66(UL)
- FLAME CLASS: 94V-2
- COLOR: BLACK

| FOR $\phi 5$ 2PIN LED |     |         |
|-----------------------|-----|---------|
| PART NO               | A   | PACKAGE |
| LET5-4.5T             | 3.8 | 1000    |



4-17-2

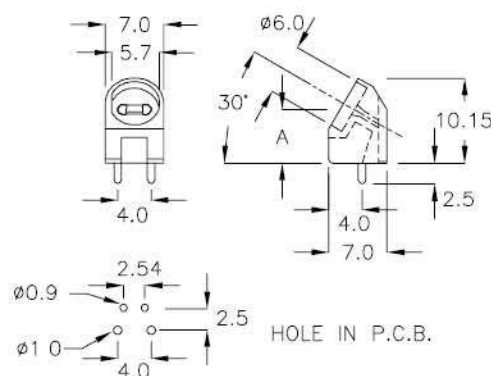


## LED 座 LED HOUSING

- MATERIAL: NYLON 66(UL)
- FLAME CLASS: 94V-2
- COLOR: BLACK

Built-In Clamp Function

| FOR $\phi 5$ 2PIN LED |     |         |
|-----------------------|-----|---------|
| PART NO               | A   | PACKAGE |
| LET5-5A               | 6.4 | 1000    |



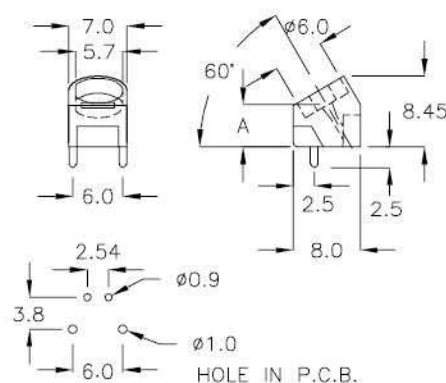
4-17-3



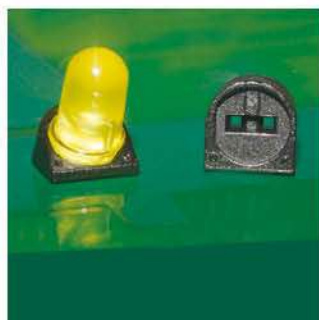
## LED 座 LED HOUSING

- MATERIAL: NYLON 66(UL)
- FLAME CLASS: 94V-2
- COLOR: BLACK

| FOR $\phi 5$ 2PIN LED |     |         |
|-----------------------|-----|---------|
| PART NO               | A   | PACKAGE |
| LET5-06               | 5.0 | 1000    |

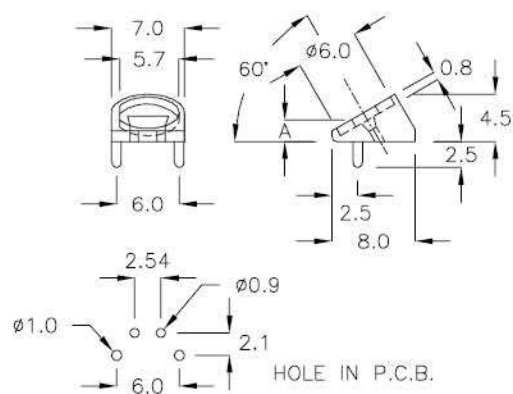


4-17-4

**LED 座 LED HOUSING**

- MATERIAL: NYLON 66(UL)
- FLAME CLASS: 94V-2
- COLOR: BLACK

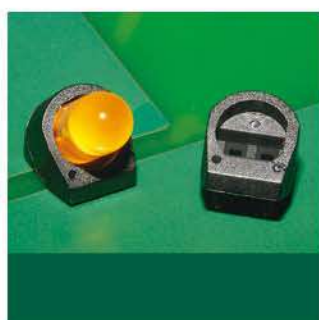
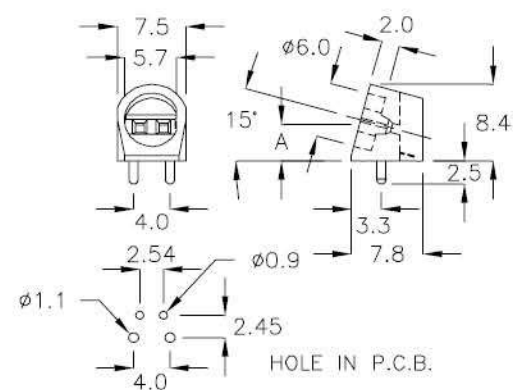
| FOR $\phi 5$ 2PIN LED |     |         |
|-----------------------|-----|---------|
| PART NO               | A   | PACKAGE |
| LET5-2C               | 2.0 | 2000    |

**LED 座 LED HOUSING**

- MATERIAL: NYLON 66(UL)
- FLAME CLASS: 94V-2
- COLOR: NATURAL, BLACK

Built-In Clamp Function

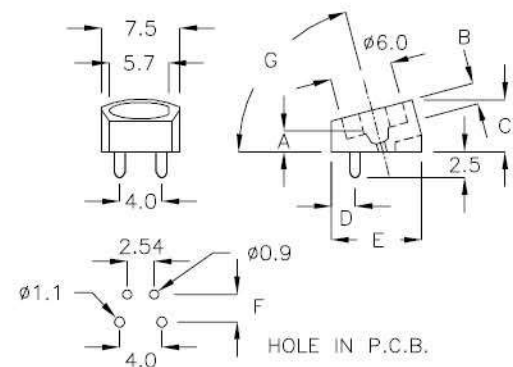
| FOR $\phi 5$ 2PIN LED |     |         |
|-----------------------|-----|---------|
| PART NO               | A   | PACKAGE |
| LET5-4CK              | 4.0 | 1000    |

**LED 座 LED HOUSING**

- MATERIAL: NYLON 66(UL)
- FLAME CLASS: 94V-2
- COLOR: BLACK

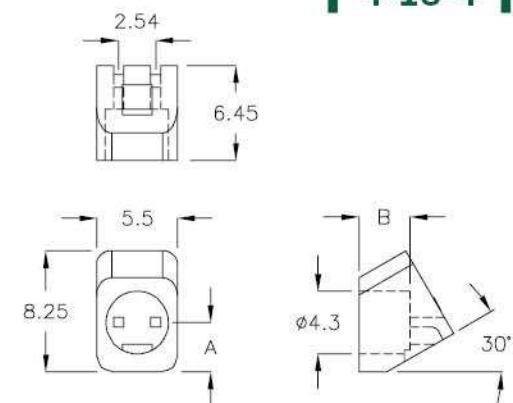
Built-In Clamp Function

| FOR $\phi 5$ 2PIN LED |     |     |      |      |      |      |     |         |
|-----------------------|-----|-----|------|------|------|------|-----|---------|
| PART NO               | A   | B   | C    | D    | E    | F    | G   | PACKAGE |
| LET5-2DF              | 2.0 | 2.0 | 5.0  | 2.3  | 8.65 | 2.65 | 75° | 1000    |
| LET5-3MQ              | 3.0 | 2.0 | 7.25 | 3.35 | 8.85 | 3.9  | 45° |         |

**LED 座 LED HOUSING**

- MATERIAL: NYLON 66(UL)
- FLAME CLASS: 94V-2
- COLOR: NATURAL

| FOR $\phi 3$ 2PIN LED |     |     |         |
|-----------------------|-----|-----|---------|
| PART NO               | A   | B   | PACKAGE |
| QLC-3A                | 3.4 | 3.5 | 2000    |

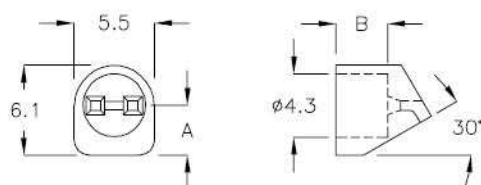
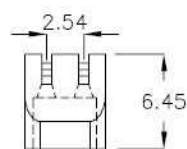




## LED 座 LED HOUSING

- MATERIAL: NYLON 66(UL)
- FLAME CLASS: 94V-2
- COLOR: NATURAL

4-19-1



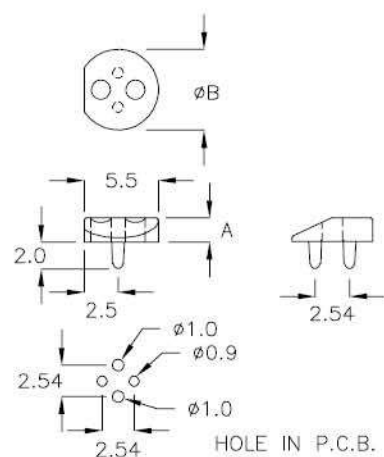
| FOR $\phi 3$ 2PIN LED |     |     |         |
|-----------------------|-----|-----|---------|
| PART NO               | A   | B   | PACKAGE |
| QLX-3K                | 3.4 | 3.5 | 1000    |



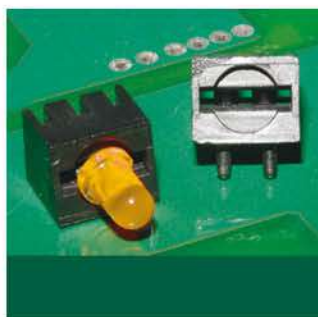
## LED 座 LED HOUSING

- MATERIAL: NYLON 66(UL)
- FLAME CLASS: 94V-2
- COLOR: BLACK

4-19-2



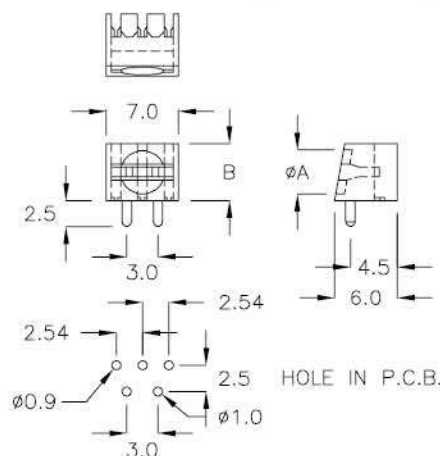
| FOR $\phi 3$ 2PIN LED |     |     |         |
|-----------------------|-----|-----|---------|
| PART NO               | A   | B   | PACKAGE |
| EKF-1A                | 1.8 | 6.0 | 2000    |



## LED 座 LED HOUSING

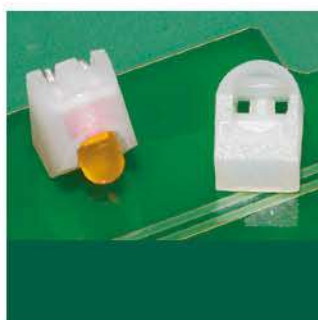
- MATERIAL: NYLON 66(UL)
- FLAME CLASS: 94V-2
- COLOR: BLACK

4-19-3



Built-In Clamp Function

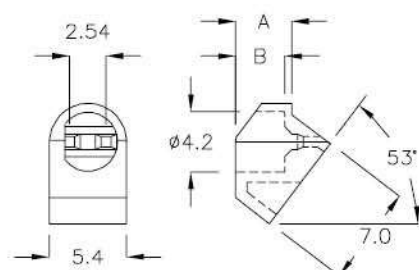
| FOR $\phi 3$ 3PIN LED |     |     |         |
|-----------------------|-----|-----|---------|
| PART NO               | A   | B   | PACKAGE |
| EEN-3A                | 4.3 | 5.5 | 1000    |



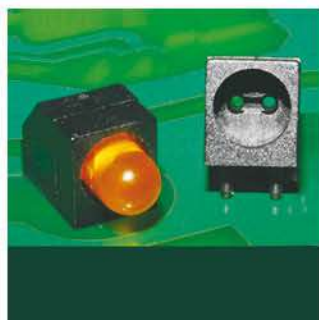
## LED 座 LED HOUSING

- MATERIAL: NYLON 66(UL)
- FLAME CLASS: 94V-2
- COLOR: NATURAL

4-19-4



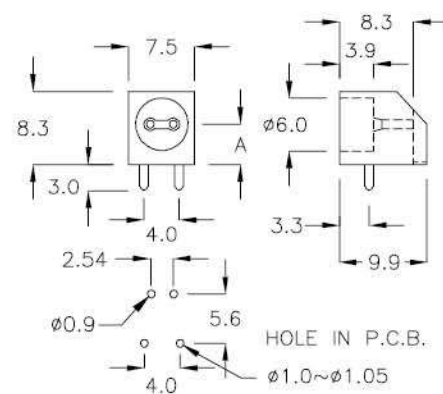
| FOR $\phi 3$ 2PIN LED |     |      |         |
|-----------------------|-----|------|---------|
| PART NO               | A   | B    | PACKAGE |
| QLA-05                | 4.1 | 3.45 | 2000    |



## LED 座 LED HOUSING

- MATERIAL: NYLON 66(UL)
- FLAME CLASS: 94V-2
- COLOR: BLACK

4-20-1



Built-In Clamp Function

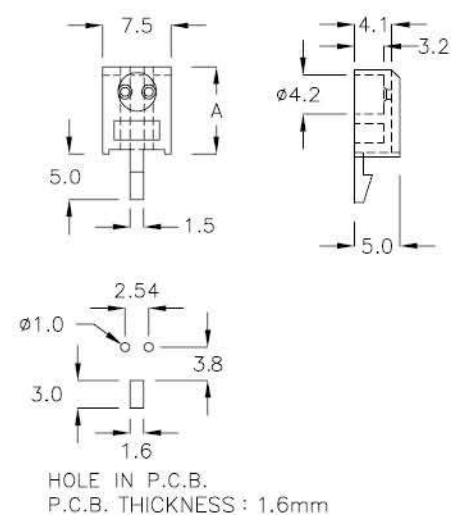
| FOR $\phi 5$ 2PIN LED |     |         |
|-----------------------|-----|---------|
| PART NO               | A   | PACKAGE |
| LEH5-4MT              | 4.5 | 500     |



## LED 座 LED HOUSING

- MATERIAL: NYLON 66(UL)
- FLAME CLASS: 94V-2
- COLOR: BLACK

4-20-2



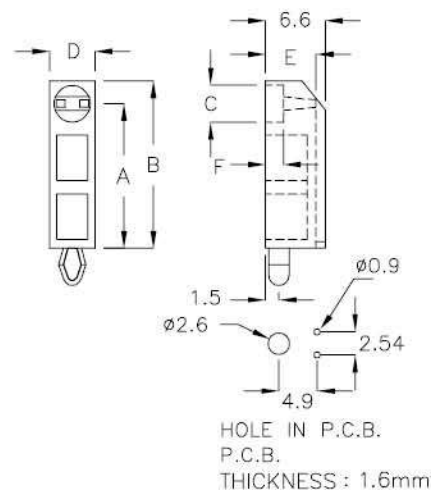
| FOR $\phi 3$ 2PIN LED |     |         |
|-----------------------|-----|---------|
| PART NO               | A   | PACKAGE |
| EDT-7A                | 9.5 | 1000    |



## LED 座 LED HOUSING

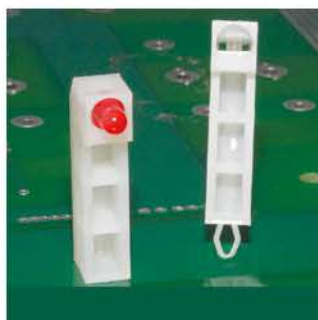
- MATERIAL: NYLON 66(UL)
- FLAME CLASS: 94V-2
- COLOR: NATURAL

4-20-3



Built-In Clamp Function

| FOR $\phi 3$ 2PIN LED |      |      |            |     |     |     |         |
|-----------------------|------|------|------------|-----|-----|-----|---------|
| PART NO               | A    | B    | C          | D   | E   | F   | PACKAGE |
| LEM3-16               | 16.0 | 18.5 | $\phi 4.1$ | 5.0 | 5.6 | 3.0 | 500     |
| LEM4-16               | 16.0 | 18.6 | $\phi 4.2$ | 5.1 | 5.7 | 2.0 |         |



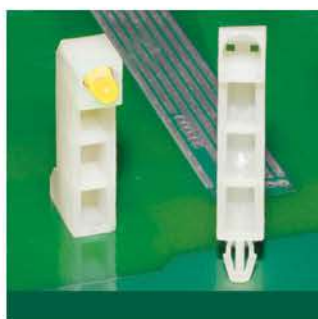
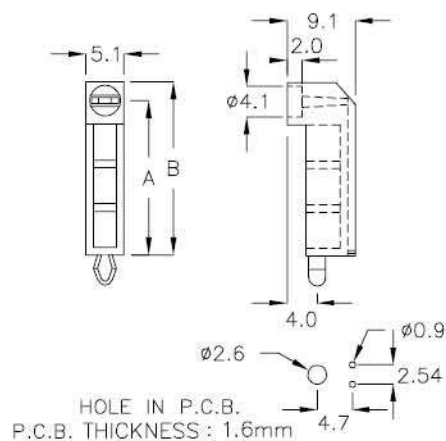
## LED 座 LED HOUSING

- MATERIAL: NYLON 66(UL)
- FLAME CLASS: 94V-2
- COLOR: NATURAL

4-21-1

Built-In Clamp Function

| FOR $\phi 3$ 2PIN LED |      |      |         |
|-----------------------|------|------|---------|
| PART NO               | A    | B    | PACKAGE |
| LEM4-20A              | 20.5 | 23.0 | 500     |



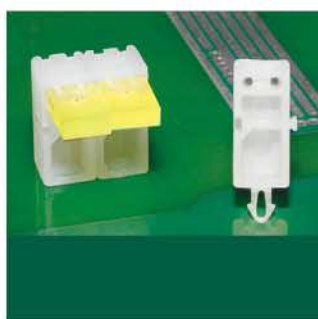
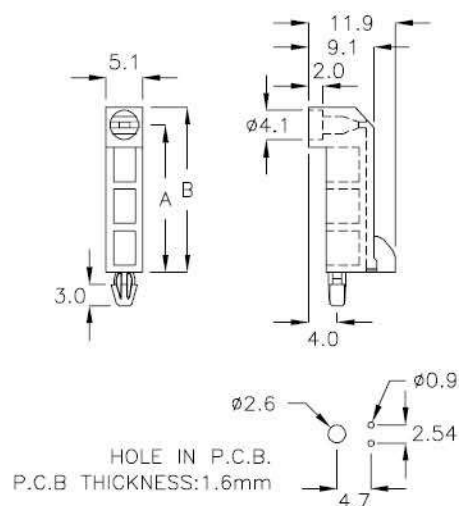
## LED 座 LED HOUSING

- MATERIAL: NYLON 66(UL)
- FLAME CLASS: 94V-2
- COLOR: NATURAL

4-21-2

Built-In Clamp Function

| FOR $\phi 3$ 2PIN LED |      |      |         |
|-----------------------|------|------|---------|
| PART NO               | A    | B    | PACKAGE |
| EKC-20A               | 20.5 | 23.0 | 500     |



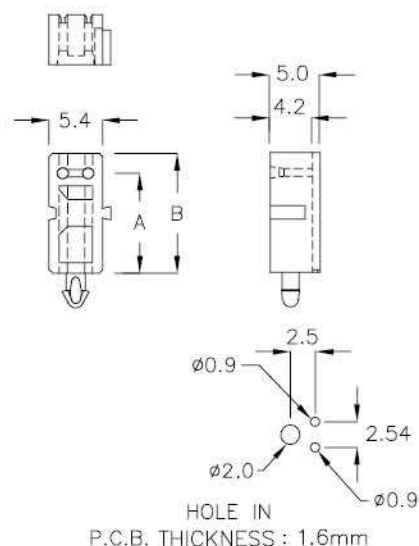
## LED 座 LED HOUSING

- MATERIAL: NYLON 66(UL)
- FLAME CLASS: 94V-2
- COLOR: NATURAL

4-21-3

Built-In Clamp Function

| FOR QUADRATE 2PIN LED |      |      |         |
|-----------------------|------|------|---------|
| PART NO               | A    | B    | PACKAGE |
| EDW-10                | 10.0 | 12.0 | 1000    |

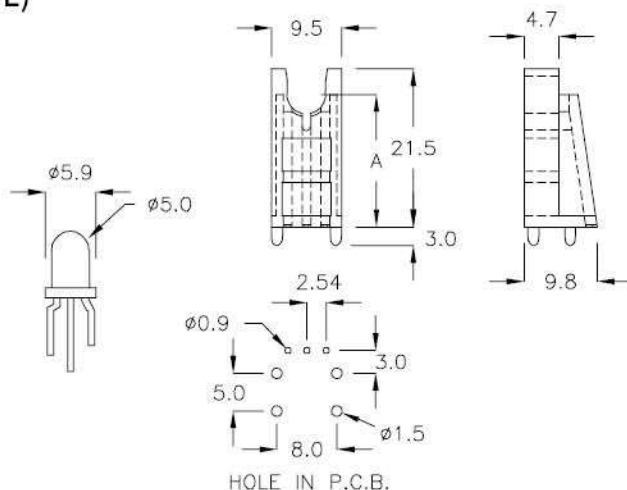




## LED 座 LED HOUSING

4-22-1

- MATERIAL: NYLON 66(UL)
- FLAME CLASS: 94V-2
- COLOR: NATURAL



Built-In Clamp Function

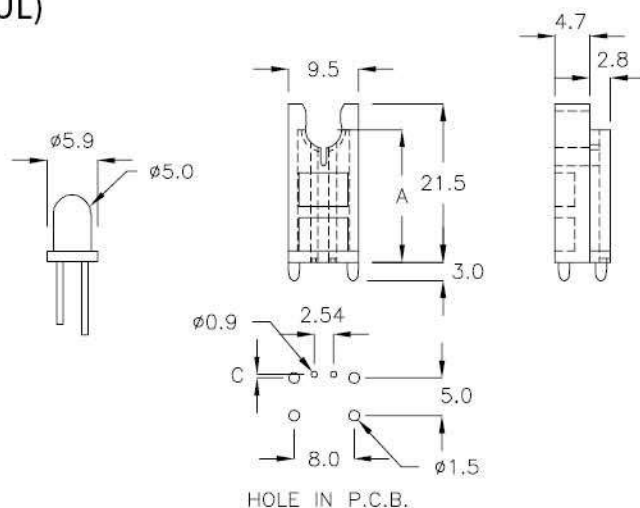
| FOR $\phi 5$ 3PIN LED |      |         |
|-----------------------|------|---------|
| PART NO               | A    | PACKAGE |
| LEX-18T               | 18.0 | 500     |



## LED 座 LED HOUSING

4-22-2

- MATERIAL: NYLON 66(UL)
- FLAME CLASS: 94V-2
- COLOR: NATURAL



Built-In Clamp Function

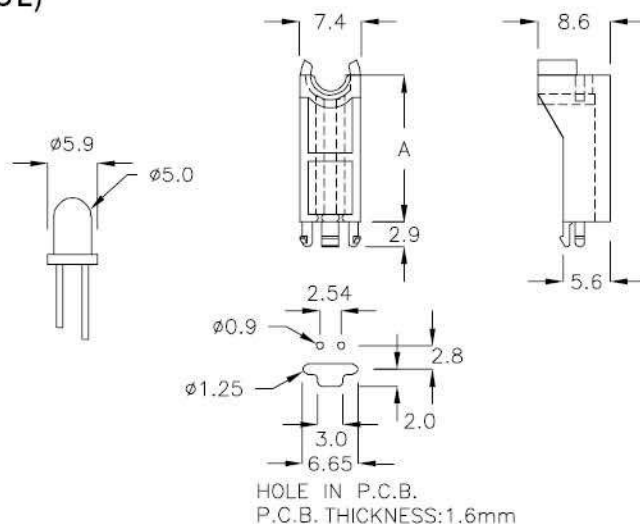
| FOR $\phi 5$ 2PIN LED |      |     |         |
|-----------------------|------|-----|---------|
| PART NO               | A    | C   | PACKAGE |
| LEW-18T               | 18.0 | 0.5 | 500     |
| LEI-18T               | 18.0 | 0.3 |         |



## LED 座 LED HOUSING

4-22-3

- MATERIAL: NYLON 66(UL)
- FLAME CLASS: 94V-2
- COLOR: BLACK



Built-In Clamp Function

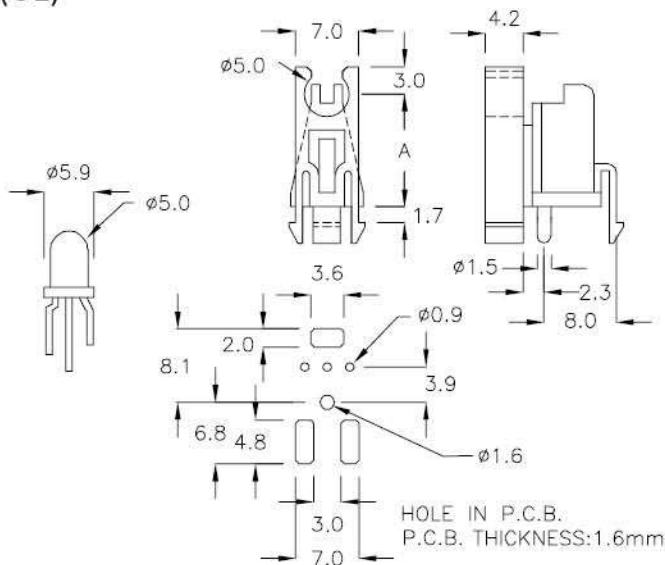
| FOR $\phi 5$ 2PIN LED |      |         |
|-----------------------|------|---------|
| PART NO               | A    | PACKAGE |
| LJD-18                | 17.5 | 500     |



## LED 座 LED HOUSING

4-23-1

- MATERIAL: NYLON 66(UL)
- FLAME CLASS: 94V-2
- COLOR: NATURAL



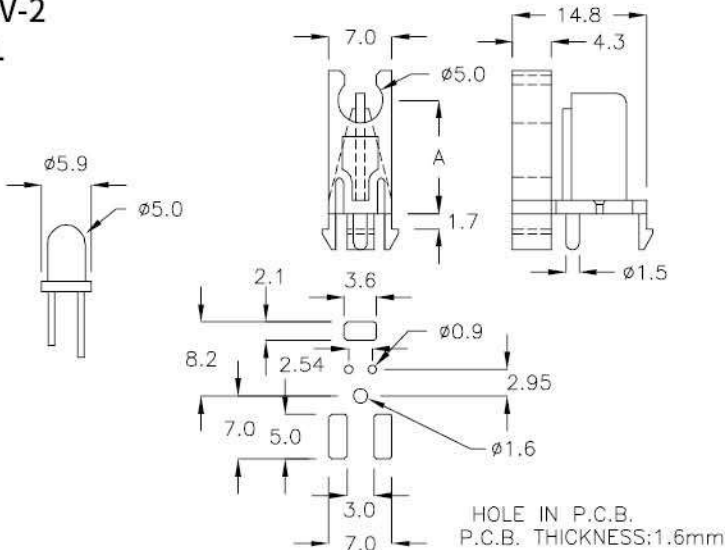
| FOR $\phi 5$ 3PIN LED |      |         |
|-----------------------|------|---------|
| PART NO               | A    | PACKAGE |
| LED-5AT               | 12.5 | 500     |



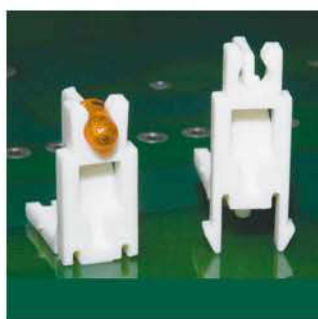
## LED 座 LED HOUSING

4-23-2

- MATERIAL: NYLON 66(UL)
- FLAME CLASS: 94V-2
- COLOR: NATURAL



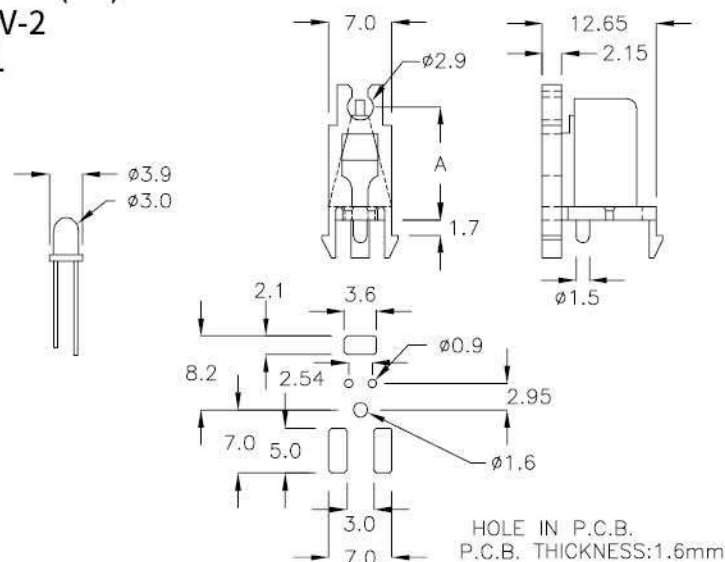
| FOR $\phi 5$ 2PIN LED |      |         |
|-----------------------|------|---------|
| PART NO               | A    | PACKAGE |
| LED-5BT               | 12.5 | 500     |



## LED 座 LED HOUSING

4-23-3

- MATERIAL: NYLON 66(UL)
- FLAME CLASS: 94V-2
- COLOR: NATURAL



| FOR $\phi 3$ 2PIN LED |      |         |
|-----------------------|------|---------|
| PART NO               | A    | PACKAGE |
| LED-3BT               | 12.5 | 500     |



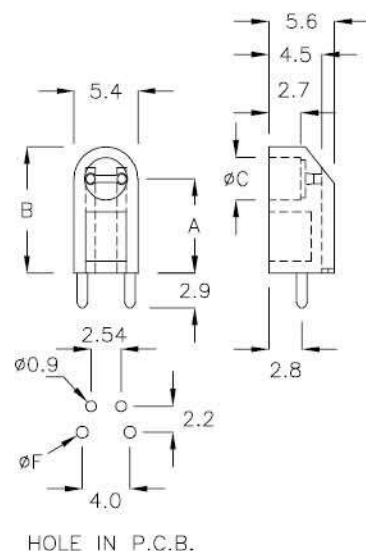
## LED 座 LED HOUSING

- MATERIAL: NYLON 66(UL)
- FLAME CLASS: 94V-2
- COLOR: NATURAL

4-24-1

Built-In Clamp Function

| FOR $\phi 3$ 2PIN LED |      |      |            |     |         |
|-----------------------|------|------|------------|-----|---------|
| PART NO               | A    | B    | C          | F   | PACKAGE |
| LEG3-6A               | 6.5  | 9.2  | $\phi 3.6$ | 1.1 | 1000    |
| LEG3-8T               | 8.0  | 10.7 | $\phi 3.6$ | 1.0 |         |
| LEG3-10F              | 10.6 | 13.3 | $\phi 4.1$ | 1.0 | 500     |
| LEG3-11C              | 11.6 | 14.3 | $\phi 4.1$ | 1.0 | 2000    |



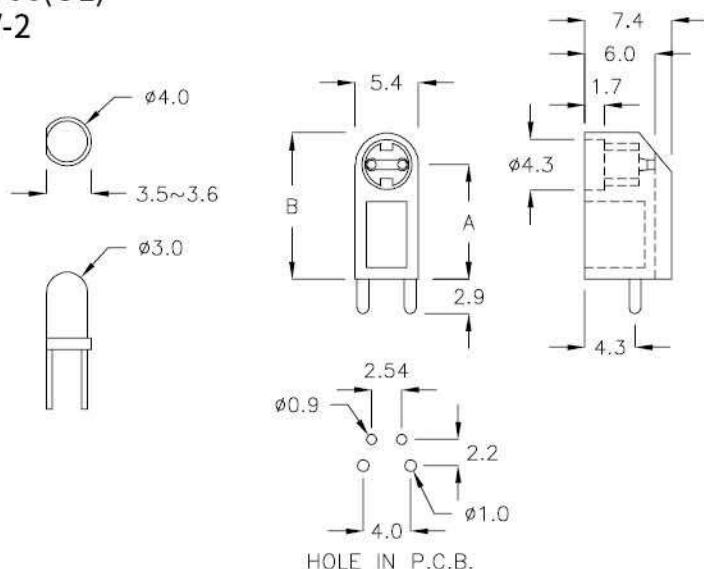
## LED 座 LED HOUSING

- MATERIAL: NYLON 66(UL)
- FLAME CLASS: 94V-2
- COLOR: BLACK

4-24-2

Built-In Clamp Function

| FOR $\phi 3$ 2PIN LED |     |      |         |
|-----------------------|-----|------|---------|
| PART NO               | A   | B    | PACKAGE |
| LEG3-9JQ              | 9.7 | 12.4 | 500     |



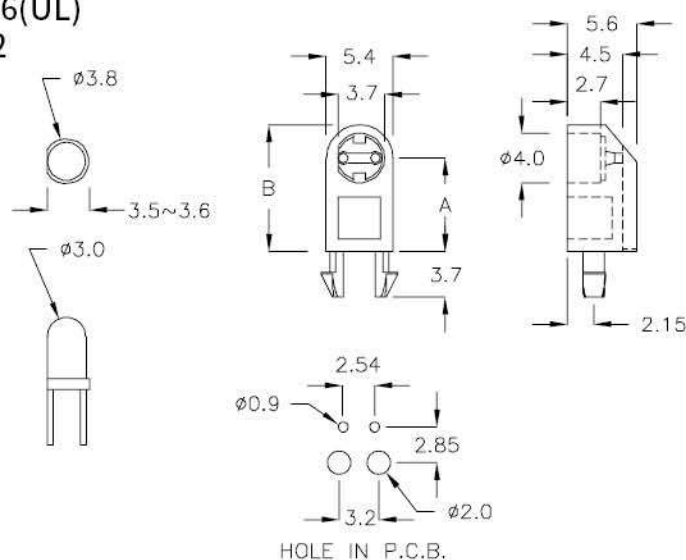
## LED 座 LED HOUSING

- MATERIAL: NYLON 66(UL)
- FLAME CLASS: 94V-2
- COLOR: BLACK

4-24-3

Built-In Clamp Function

| FOR $\phi 3$ 2PIN LED |     |      |         |
|-----------------------|-----|------|---------|
| PART NO               | A   | B    | PACKAGE |
| LEG3-7ML              | 7.5 | 10.2 | 1000    |



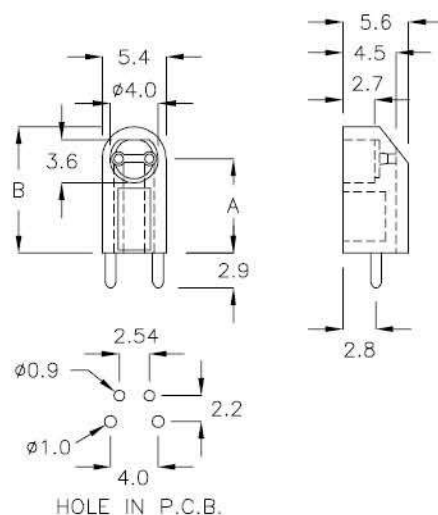
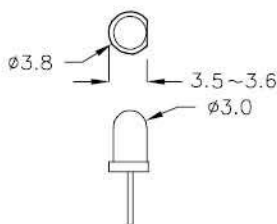




## LED 座 LED HOUSING

4-25-1

- MATERIAL: NYLON 66(UL)
- FLAME CLASS: 94V-2
- COLOR: NATURAL, BLACK



Built-In Clamp Function

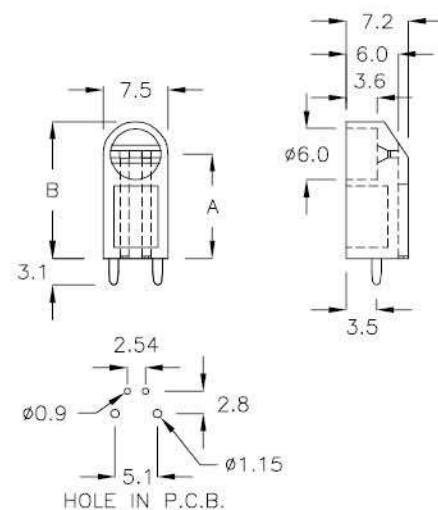
| FOR $\phi 3$ 2PIN LED |      |      |         |
|-----------------------|------|------|---------|
| PART NO               | A    | B    | PACKAGE |
| LEG3-10NQ             | 10.6 | 13.3 | 500     |



## LED 座 LED HOUSING

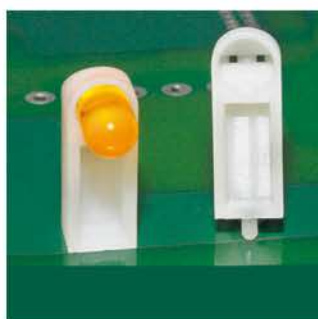
4-25-2

- MATERIAL: NYLON 66(UL)
- FLAME CLASS: 94V-2
- COLOR: NATURAL



Built-In Clamp Function

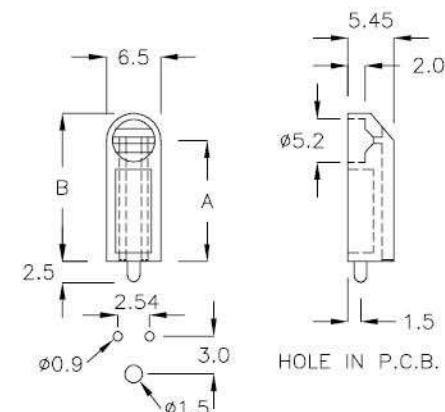
| FOR $\phi 5$ 2PIN LED |      |      |         |
|-----------------------|------|------|---------|
| PART NO               | A    | B    | PACKAGE |
| EDJ-12                | 12.0 | 15.8 | 500     |



## LED 座 LED HOUSING

4-25-3

- MATERIAL: NYLON 66(UL)
- FLAME CLASS: 94V-2
- COLOR: NATURAL



Built-In Clamp Function

| FOR $\phi 5$ 2PIN LED |      |       |         |
|-----------------------|------|-------|---------|
| PART NO               | A    | B     | PACKAGE |
| EEM-14A               | 14.5 | 17.75 | 500     |

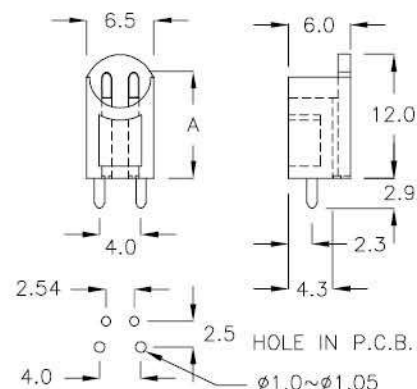


Built-In Clamp Function

| FOR $\phi 5$ 2PIN LED |      |         |
|-----------------------|------|---------|
| PART NO               | A    | PACKAGE |
| EEH-9A                | 10.0 | 2000    |

**LED 座 LED HOUSING**

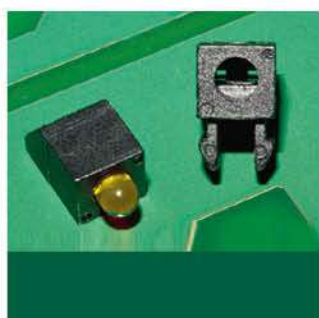
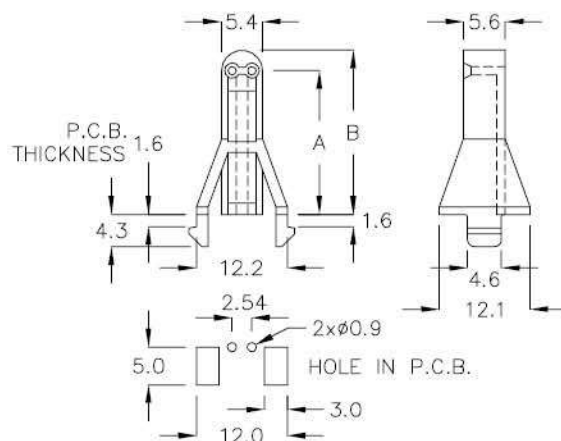
- MATERIAL: NYLON 66(UL)
- FLAME CLASS: 94V-2
- COLOR: NATURAL



| FOR $\phi 5$ 2PIN LED |      |      |         |
|-----------------------|------|------|---------|
| PART NO               | A    | B    | PACKAGE |
| LEH5-19K              | 19.0 | 21.7 | 1000    |

**LED 座 LED HOUSING**

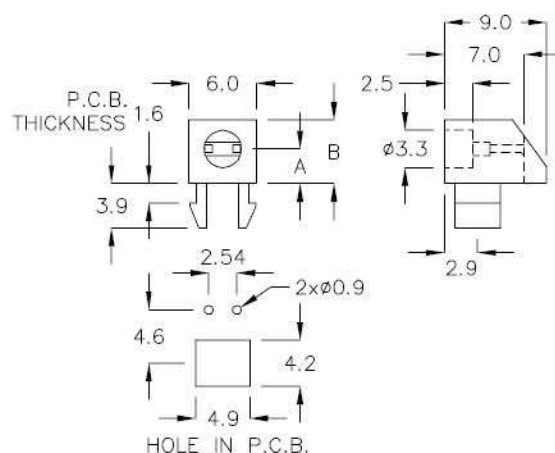
- MATERIAL: NYLON 66(UL)
- FLAME CLASS: 94V-2
- COLOR: BLACK



| FOR $\phi 3$ 2PIN LED |      |     |         |
|-----------------------|------|-----|---------|
| PART NO               | A    | B   | PACKAGE |
| EEC-03                | 3.05 | 5.6 | 1000    |

**LED 座 LED HOUSING**

- MATERIAL: NYLON 66(UL)
- FLAME CLASS: 94V-2
- COLOR: BLACK

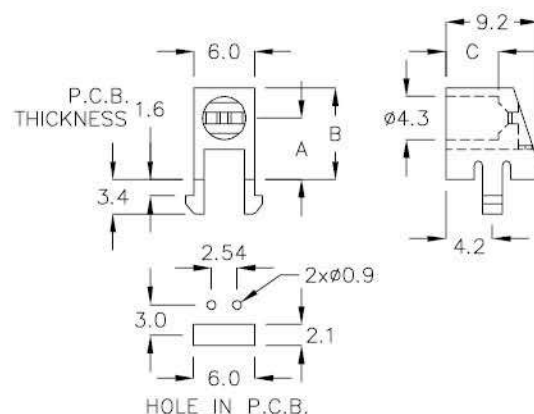


Built-In Clamp Function

| FOR $\phi 3$ 2PIN LED |     |     |     |         |
|-----------------------|-----|-----|-----|---------|
| PART NO               | A   | B   | C   | PACKAGE |
| EEK-6A                | 6.1 | 9.1 | 5.2 | 1000    |

**LED 座 LED HOUSING**

- MATERIAL: NYLON 66(UL)
- FLAME CLASS: 94V-2
- COLOR: BLACK



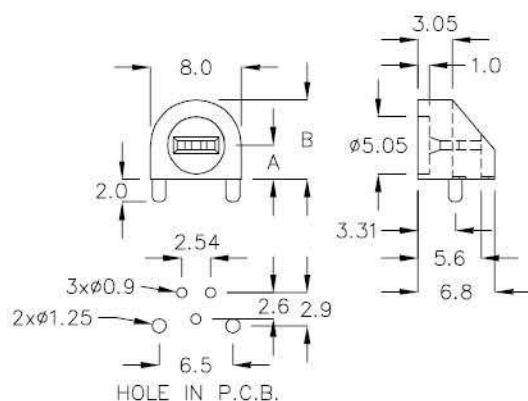


## LED 座 LED HOUSING

- MATERIAL: NYLON 66(UL)
- FLAME CLASS: 94V-2
- COLOR: NATURAL

Built-In Clamp Function

| FOR $\phi 5$ 3PIN LED |     |     |         |
|-----------------------|-----|-----|---------|
| PART NO               | A   | B   | PACKAGE |
| EDL-03                | 3.0 | 7.0 | 1000    |



4-27-1

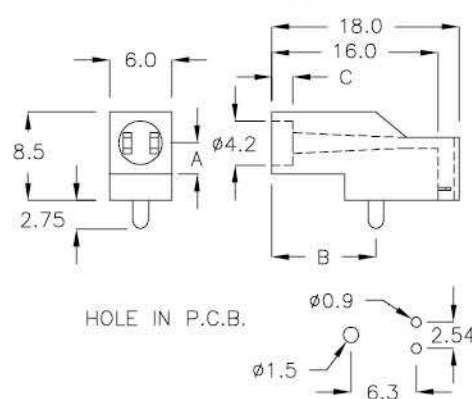


## LED 座 LED HOUSING

- MATERIAL: NYLON 66(UL)
- FLAME CLASS: 94V-2
- COLOR: BLACK

Built-In Clamp Function

| FOR $\phi 3$ 2PIN LED |     |      |     |         |
|-----------------------|-----|------|-----|---------|
| PART NO               | A   | B    | C   | PACKAGE |
| EKN-05A               | 3.0 | 10.0 | 2.0 | 500     |



4-27-2

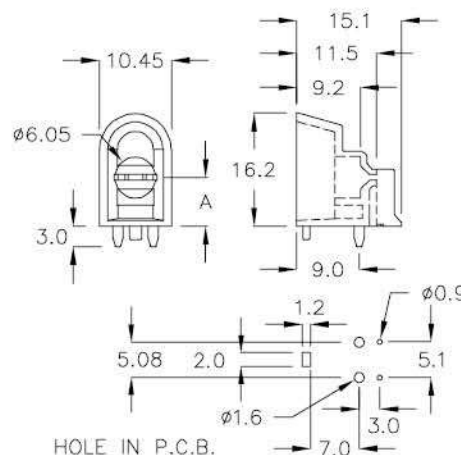


## LED 座 LED HOUSING

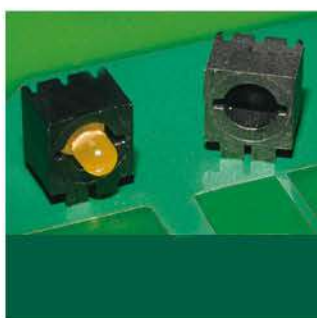
- MATERIAL: NYLON 66(UL)
- FLAME CLASS: 94V-2
- COLOR: BLACK

Built-In Clamp Function

| FOR $\phi 5$ 2PIN LED |     |         |
|-----------------------|-----|---------|
| PART NO               | A   | PACKAGE |
| QQR-7A                | 7.0 | 500     |



4-27-3

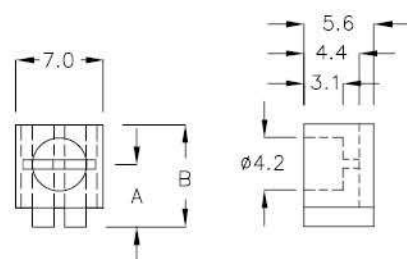


## LED 座 LED HOUSING

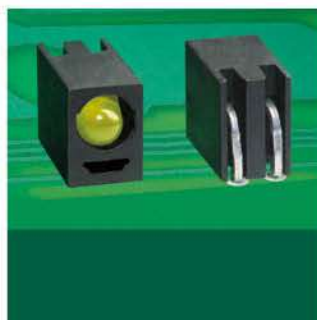
- MATERIAL: NYLON 66(UL)
- FLAME CLASS: 94V-2
- COLOR: BLACK

Built-In Clamp Function

| FOR $\phi 3$ 3PIN LED |     |     |         |
|-----------------------|-----|-----|---------|
| PART NO               | A   | B   | PACKAGE |
| EDC-05                | 5.0 | 8.2 | 1000    |



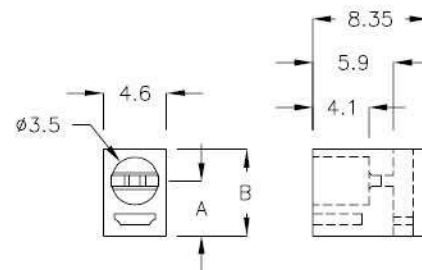
4-27-4



## LED 座 LED HOUSING

- MATERIAL: NYLON 66(UL)
- FLAME CLASS: 94V-2
- COLOR: BLACK

| FOR $\phi 3$ 2PIN LED |     |     |         |
|-----------------------|-----|-----|---------|
| PART NO               | A   | B   | PACKAGE |
| EKT-4C                | 4.0 | 6.3 | 2000    |



4-28-1

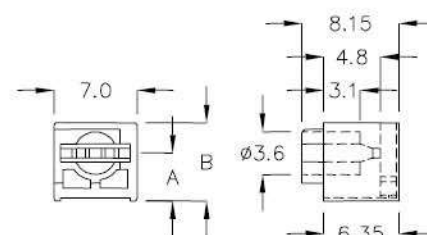


## LED 座 LED HOUSING

- MATERIAL: NYLON 66(UL)
- FLAME CLASS: 94V-2
- COLOR: BLACK

Built-In Clamp Function

| FOR $\phi 3$ 3PIN LED |     |     |         |
|-----------------------|-----|-----|---------|
| PART NO               | A   | B   | PACKAGE |
| EKB-04                | 4.0 | 6.6 | 1000    |



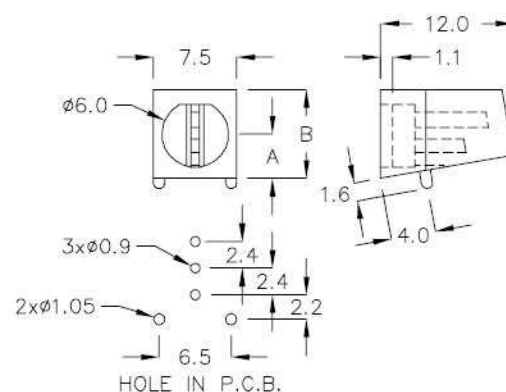
4-28-2



## LED 座 LED HOUSING

- MATERIAL: NYLON 66(UL)
- FLAME CLASS: 94V-2
- COLOR: BLACK

| FOR $\phi 5$ 3PIN LED |     |     |         |
|-----------------------|-----|-----|---------|
| PART NO               | A   | B   | PACKAGE |
| LER-4                 | 4.0 | 8.0 | 1000    |



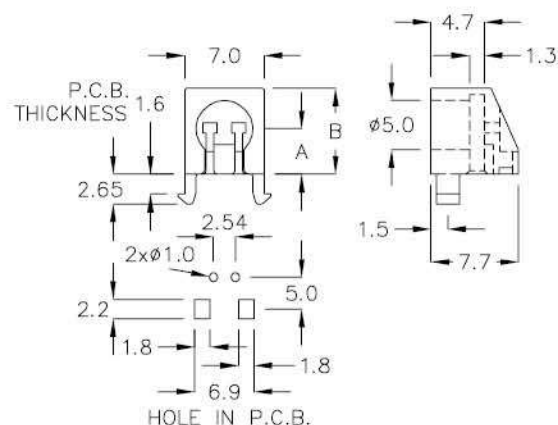
4-28-3



## LED 座 LED HOUSING

- MATERIAL: NYLON 66(UL)
- FLAME CLASS: 94V-0
- COLOR: BLACK

| FOR $\phi 5$ 2PIN LED |     |     |         |
|-----------------------|-----|-----|---------|
| PART NO               | A   | B   | PACKAGE |
| LEKC-5A               | 4.0 | 7.6 | 500     |



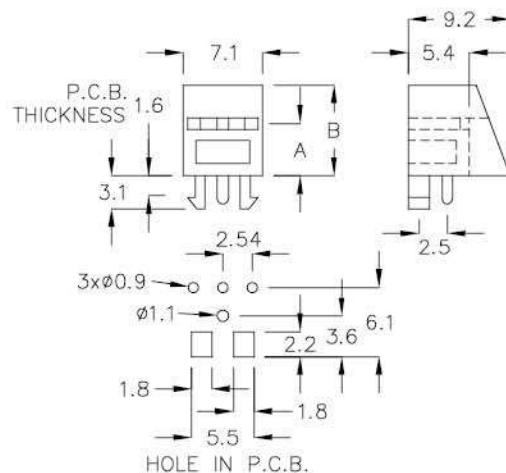
4-28-4



## LED 座 LED HOUSING

- MATERIAL: NYLON 66(UL)
- FLAME CLASS: 94V-2
- COLOR: BLACK

| FOR $\phi 5$ 3PIN LED |     |     |         |
|-----------------------|-----|-----|---------|
| PART NO               | A   | B   | PACKAGE |
| LEK5-5TX              | 4.6 | 8.1 | 500     |



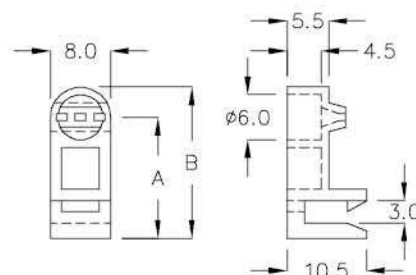
4-29-1



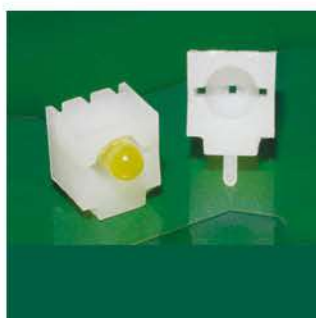
## LED 座 LED HOUSING

- MATERIAL: NYLON 66(UL)
- FLAME CLASS: 94V-2
- COLOR: NATURAL

| FOR $\phi 5$ 3PIN LED |      |      |         |
|-----------------------|------|------|---------|
| PART NO               | A    | B    | PACKAGE |
| EDA-11                | 16.0 | 20.0 | 500     |



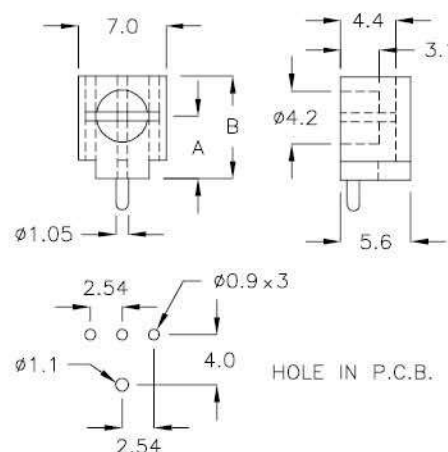
4-29-2



## LED 座 LED HOUSING

- MATERIAL: NYLON 66(UL)
- FLAME CLASS: 94V-2
- COLOR: NATURAL

| FOR $\phi 3$ 3PIN LED |     |     |         |
|-----------------------|-----|-----|---------|
| PART NO               | A   | B   | PACKAGE |
| EDM-05                | 5.0 | 8.2 | 1000    |



4-29-3

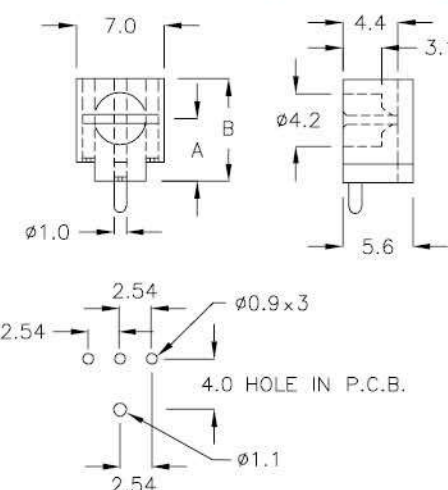


## LED 座 LED HOUSING

- MATERIAL: NYLON 66(UL)
- FLAME CLASS: 94V-2
- COLOR: BLACK

Built-In Clamp Function

| FOR $\phi 3$ 3PIN LED |     |     |         |
|-----------------------|-----|-----|---------|
| PART NO               | A   | B   | PACKAGE |
| EDM-5C                | 5.0 | 8.2 | 1000    |



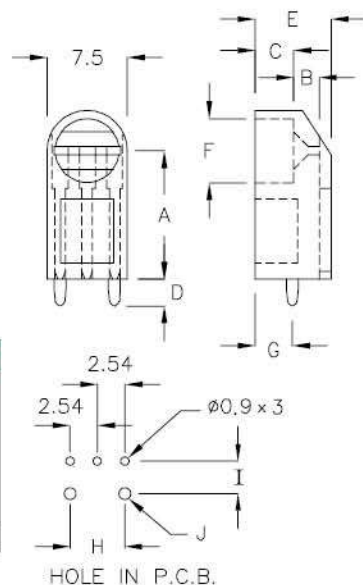
4-29-4



## LED 座 LED HOUSING

4-30-1

- MATERIAL: NYLON 66(UL)
- FLAME CLASS: 94V-2
- COLOR: NATURAL



Built-In Clamp Function

| FOR $\phi 5$ 3PIN LED |      |     |     |     |     |            |
|-----------------------|------|-----|-----|-----|-----|------------|
| PART NO               | A    | B   | C   | D   | E   | F          |
| LEE-12                | 12.0 | 2.5 | 3.6 | 3.1 | 7.1 | $\phi 6.0$ |
| LEK2-10T              | 9.5  | 2.0 | 4.0 | 3.0 | 7.1 | $\phi 6.1$ |
| LEK2-12T              | 12.0 | 2.5 | 3.6 | 2.5 | 7.1 | $\phi 6.0$ |
| LEK2-13T              | 13.5 | 2.1 | 3.9 | 2.5 | 7.1 | $\phi 6.0$ |
| LEK2-18T              | 17.5 | 2.4 | 3.6 | 3.0 | 7.0 | $\phi 6.0$ |
| LEK4-4T               | 4.0  | 4.6 | 1.0 | 3.0 | 6.6 | $\phi 6.2$ |

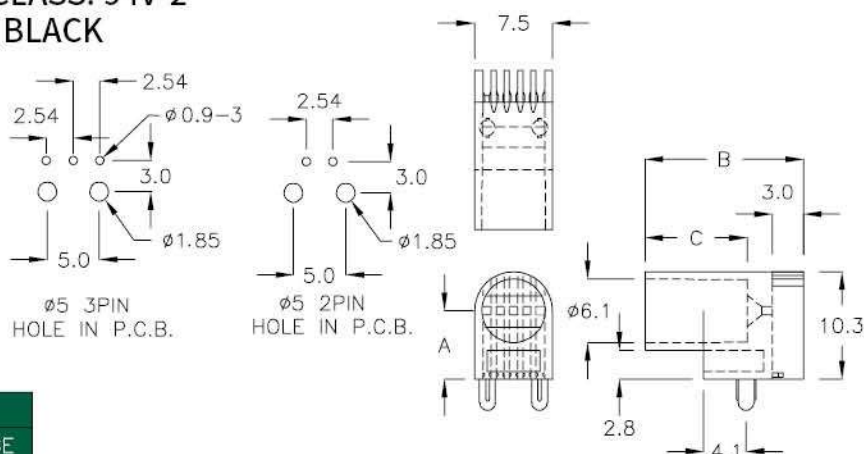
| PART NO  | G   | H    | I   | J           | PACKAGE |
|----------|-----|------|-----|-------------|---------|
| LEE-12   | 3.5 | 5.08 | 3.0 | $\phi 1.2$  | 500     |
| LEK2-10T | 3.5 | 5.08 | 3.0 | $\phi 1.2$  |         |
| LEK2-12T | 3.5 | 5.08 | 3.0 | $\phi 1.2$  |         |
| LEK2-13T | 3.8 | 6.5  | 2.7 | $\phi 1.05$ |         |
| LEK2-18T | 3.5 | 5.08 | 3.0 | $\phi 1.2$  |         |
| LEK4-4T  | 3.8 | 6.5  | 2.5 | $\phi 1.05$ | 1000    |



## LED 座 LED HOUSING

4-30-2

- MATERIAL: NYLON 66(UL)
- FLAME CLASS: 94V-2
- COLOR: BLACK



Built-In Clamp Function

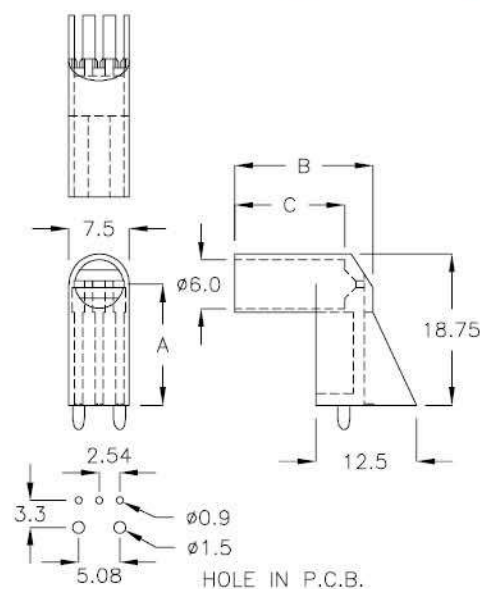
| FOR $\phi 5$ 2PIN & $\phi 5$ 3PIN LED |      |      |     |         |
|---------------------------------------|------|------|-----|---------|
| PART NO                               | A    | B    | C   | PACKAGE |
| QLT-6A                                | 6.55 | 14.0 | 8.6 | 500     |
| QLT-6C                                | 6.55 | 14.0 | 6.1 |         |



## LED 座 LED HOUSING

4-30-3

- MATERIAL: NYLON 66(UL)
- FLAME CLASS: 94V-2
- COLOR: BLACK



Built-In Clamp Function

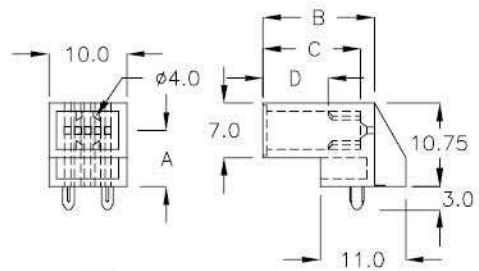
| FOR $\phi 5$ 3PIN LED LAMP |      |      |      |         |
|----------------------------|------|------|------|---------|
| PART NO                    | A    | B    | C    | PACKAGE |
| QLU-15                     | 15.0 | 17.1 | 13.6 | 500     |



## LED 座 LED HOUSING

- MATERIAL: NYLON 66(UL)
- FLAME CLASS: 94V-2
- COLOR: BLACK

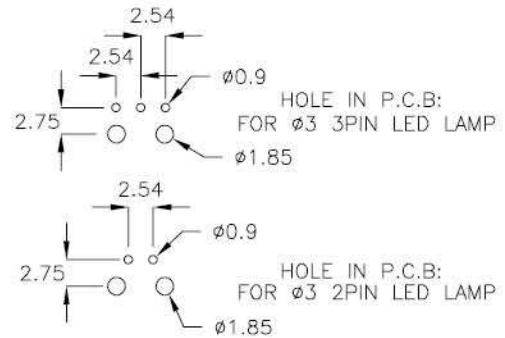
4-31-1



Built-In Clamp Function

FOR  $\phi 3$  3PIN, 2PIN LED LAMP

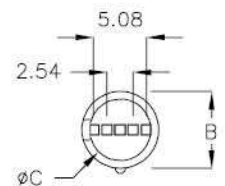
| PART NO | A    | B    | C    | D   | PACKAGE |
|---------|------|------|------|-----|---------|
| QBT-7A  | 7.25 | 14.4 | 12.6 | 8.4 | 500     |
| QBT-7C  | 7.25 | 14.4 | 7.6  | 3.4 |         |
| QBT-7D  | 7.25 | 14.4 | 6.6  | 2.4 |         |
| QBT-7F  | 7.25 | 8.4  | 6.6  | 2.4 |         |
| QBT-7K  | 7.25 | 13.4 | 11.6 | 7.4 |         |



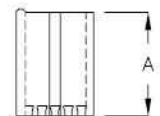
## LED 座 LED HOUSING

- MATERIAL: NYLON 66(UL)
- FLAME CLASS: 94V-2
- COLOR: BLACK

4-31-2

FOR  $\phi 5$  3PIN, 2PIN LED

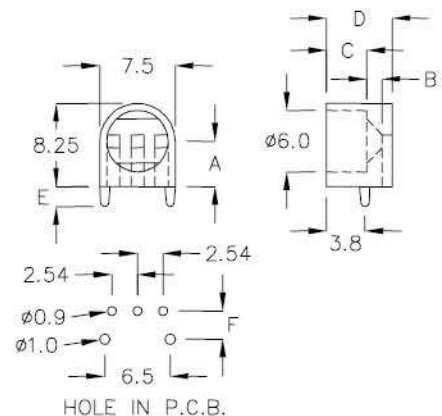
| PART NO | A    | B          | C          | PACKAGE |
|---------|------|------------|------------|---------|
| LEA-01  | 10.0 | $\phi 7.4$ | $\phi 6.0$ | 2000    |



## LED 座 LED HOUSING

- MATERIAL: NYLON 66(UL)
- FLAME CLASS: 94V-2
- COLOR: BLACK

4-31-3

FOR  $\phi 5$  3PIN LED

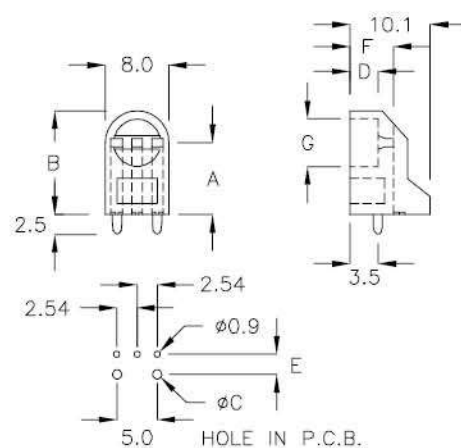
| PART NO   | A   | B   | C   | D   | E   | F   | PACKAGE |
|-----------|-----|-----|-----|-----|-----|-----|---------|
| LEK2-4.5T | 4.5 | 2.1 | 4.0 | 7.1 | 3.2 | 2.8 | 1000    |
| LEK4-4.5T | 4.5 | 4.5 | 1.0 | 6.5 | 2.0 | 2.0 |         |



## LED 座 LED HOUSING

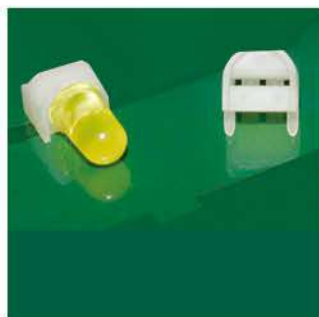
- MATERIAL: NYLON 66(UL)
- FLAME CLASS: 94V-2
- COLOR: NATURAL

4-32-1



Built-In Clamp Function

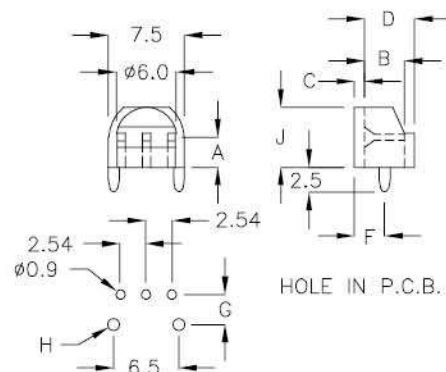
| FOR $\phi 5$ 3PIN LED |      |      |            |     |     |     |            |         |
|-----------------------|------|------|------------|-----|-----|-----|------------|---------|
| PART NO               | A    | B    | C          | D   | E   | F   | G          | PACKAGE |
| LEU-06                | 6.0  | 10.0 | $\phi 1.0$ | 4.3 | 2.6 | 6.0 | $\phi 6.2$ | 500     |
| LEU-09                | 9.0  | 13.0 | $\phi 1.2$ | 3.5 | 2.5 | 5.5 | $\phi 6.0$ |         |
| LEU-10                | 10.0 | 14.0 | $\phi 1.0$ | 4.0 | 2.6 | 5.5 | $\phi 6.0$ |         |



## LED 座 LED HOUSING

- MATERIAL: NYLON 66(UL)
- FLAME CLASS: 94V-2
- COLOR: NATURAL, BLACK

4-32-2



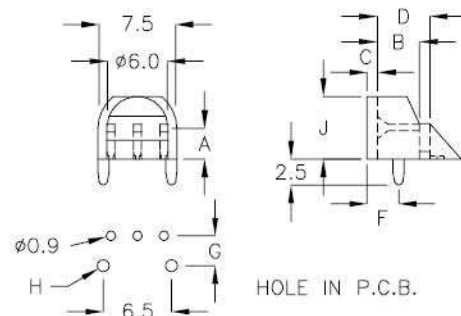
| FOR $\phi 5$ 3PIN LED |     |     |     |     |     |     |            |     |         |
|-----------------------|-----|-----|-----|-----|-----|-----|------------|-----|---------|
| PART NO               | A   | B   | C   | D   | F   | G   | H          | J   | PACKAGE |
| LEK4-3T               | 3.0 | 4.0 | 1.0 | 5.0 | 3.0 | 3.0 | $\phi 1.2$ | 6.0 | 1000    |
| LEY-03                | 3.5 | 4.0 | 1.0 | 5.0 | 3.0 | 2.7 | $\phi 1.2$ | 6.5 |         |



## LED 座 LED HOUSING

- MATERIAL: NYLON 66(UL)
- FLAME CLASS: 94V-2
- COLOR: NATURAL, BLACK

4-32-3



Built-In Clamp Function

| FOR $\phi 5$ 3PIN LED |     |     |     |     |     |     |            |     |         |
|-----------------------|-----|-----|-----|-----|-----|-----|------------|-----|---------|
| PART NO               | A   | B   | C   | D   | F   | G   | H          | J   | PACKAGE |
| LEK4-3TW              | 3.0 | 4.0 | 1.0 | 5.0 | 3.0 | 3.0 | $\phi 1.2$ | 6.0 | 1000    |





## LED 座 LED HOUSING

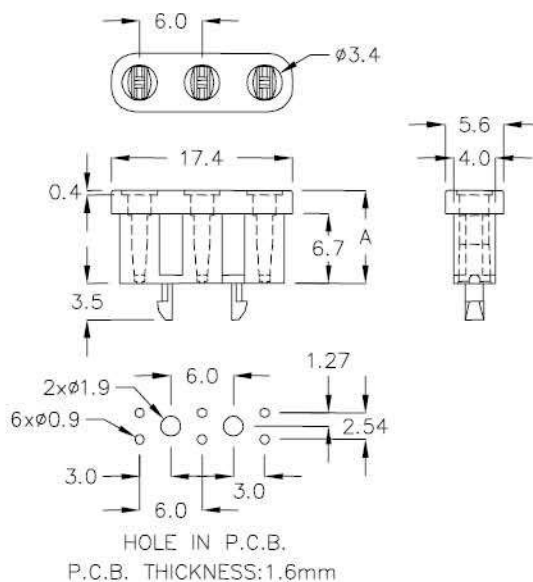
4-73-1

- MATERIAL: NYLON 66(UL)
- FLAME CLASS: 94V-2
- COLOR: NATURAL

Built-In Clamp Function

FOR  $\phi 3$  2PIN LED

| PART NO | A   | PACKAGE |
|---------|-----|---------|
| 3LED-3M | 8.9 | 500     |



## LED 座 LED HOUSING

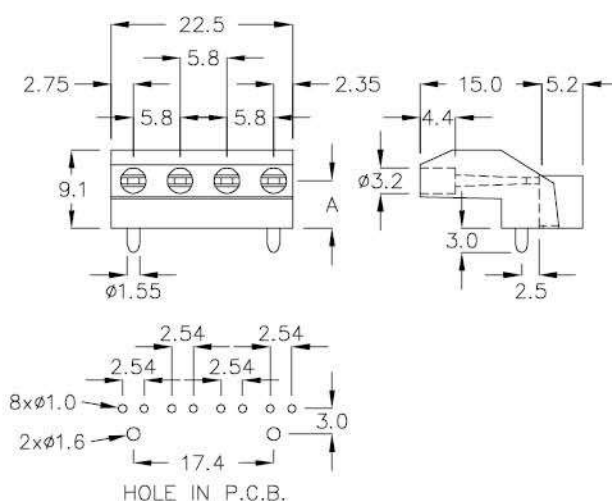
4-73-2

- MATERIAL: NYLON 66(UL)
- FLAME CLASS: 94V-2
- COLOR: BLACK

Built-In Clamp Function

FOR  $\phi 3$  2PIN LED

| PART NO | A   | PACKAGE |
|---------|-----|---------|
| 4LEL-6  | 5.6 | 200     |



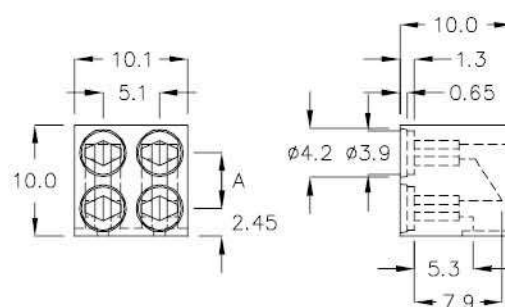
## LED 座 LED HOUSING

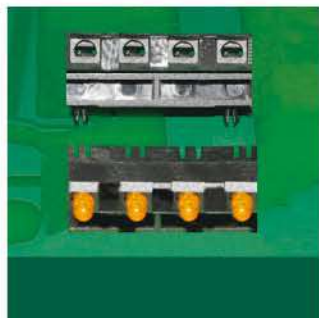
4-73-3

- MATERIAL: NYLON 66(UL)
- FLAME CLASS: 94V-2
- COLOR: BLACK

FOR  $\phi 3$  2PIN LED

| PART NO | A   | PACKAGE |
|---------|-----|---------|
| 4LED-3  | 5.0 | 500     |



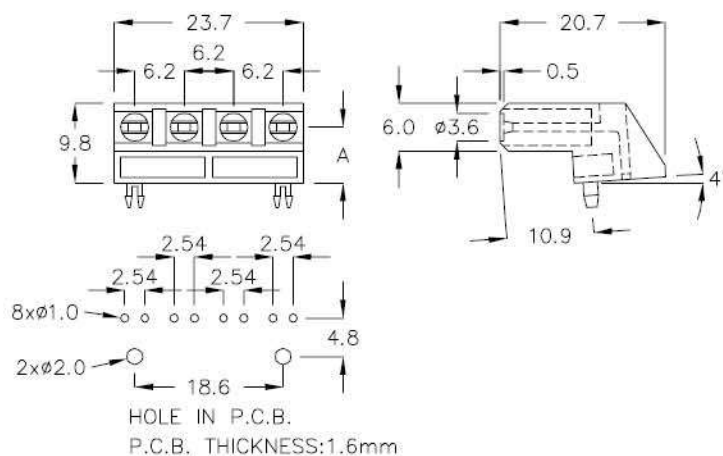


Built-In Clamp Function

| FOR $\phi 3$ 2PIN LED |     |         |
|-----------------------|-----|---------|
| PART NO               | E   | PACKAGE |
| 4LEL-6A               | 7.0 | 200     |

**LED 座 LED HOUSING****4-74-1**

- MATERIAL: NYLON 66(UL)
- FLAME CLASS: 94V-2
- COLOR: BLACK

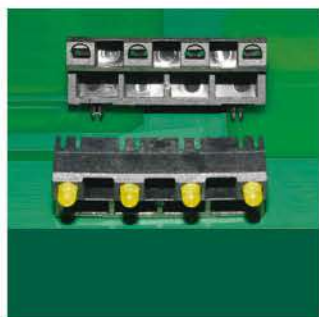
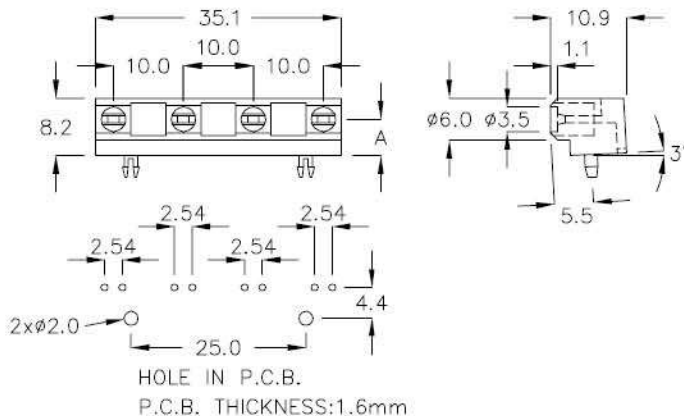


Built-In Clamp Function

| FOR $\phi 3$ 2PIN LED |      |         |
|-----------------------|------|---------|
| PART NO               | A    | PACKAGE |
| 4LEL-6C               | 5.25 | 200     |

**LED 座 LED HOUSING****4-74-2**

- MATERIAL: NYLON 66(UL)
- FLAME CLASS: 94V-2
- COLOR: BLACK

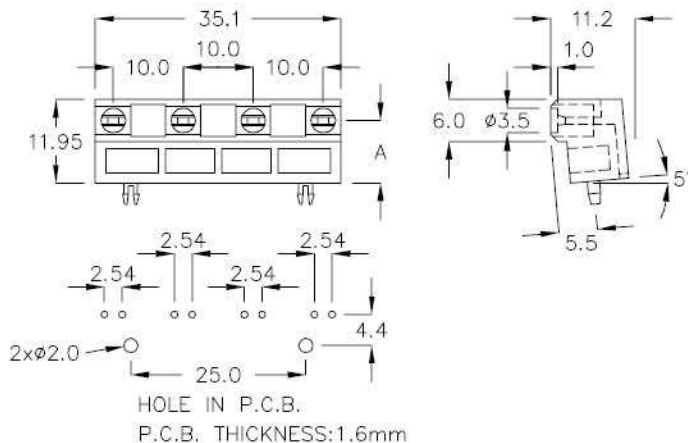


Built-In Clamp Function

| FOR $\phi 3$ 2PIN LED |     |         |
|-----------------------|-----|---------|
| PART NO               | A   | PACKAGE |
| 4LEL-6D               | 9.0 | 200     |

**LED 座 LED HOUSING****4-74-3**

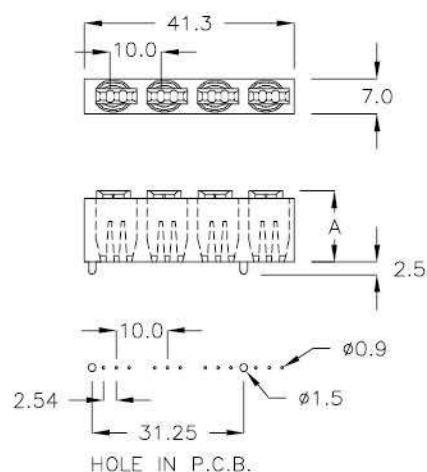
- MATERIAL: NYLON 66(UL)
- FLAME CLASS: 94V-2
- COLOR: BLACK





## LED 座 LED HOUSING | 4-75-1 |

- MATERIAL: NYLON 66(UL)+30%FRP
- FLAME CLASS: 94V-0
- COLOR: BLACK

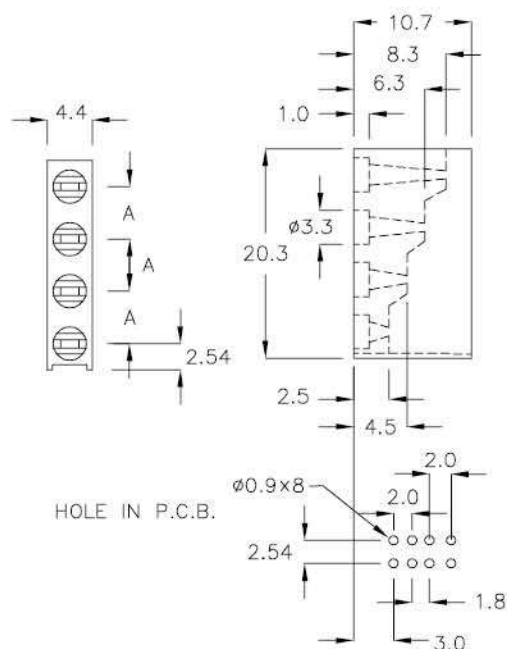


| FOR $\phi 5$ 2PIN LED |      |         |  |
|-----------------------|------|---------|--|
| PART NO               | A    | PACKAGE |  |
| 4LED-1A               | 14.0 | 500     |  |



## LED 座 LED HOUSING | 4-75-2 |

- MATERIAL: NYLON 66(UL)
- FLAME CLASS: 94V-2
- COLOR: BLACK

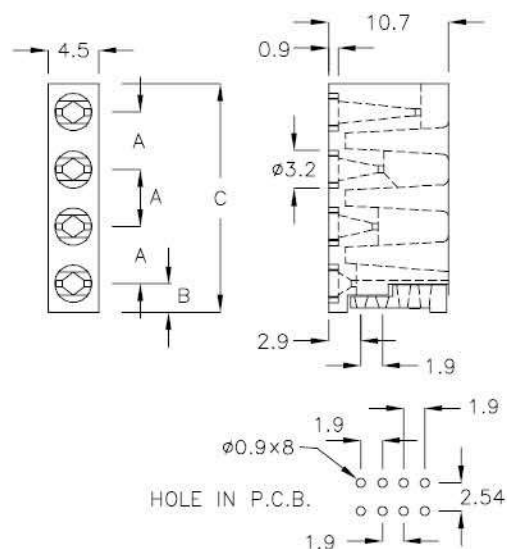


| FOR $\phi 3$ 2PIN LED |      |         |  |
|-----------------------|------|---------|--|
| PART NO               | A    | PACKAGE |  |
| 4LED-3C               | 5.08 | 500     |  |

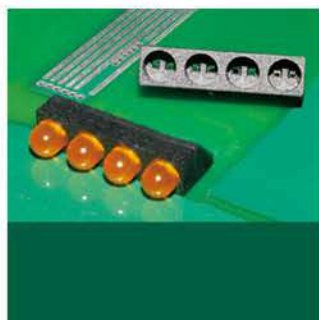


## LED 座 LED HOUSING | 4-75-3 |

- MATERIAL: NYLON 66(UL)
- FLAME CLASS: 94V-2
- COLOR: BLACK



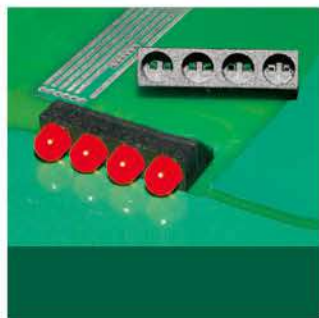
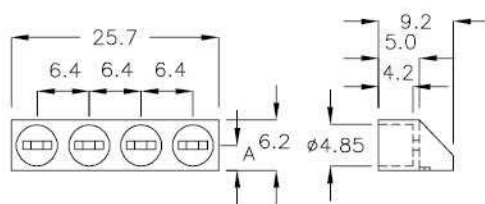
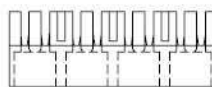
| FOR $\phi 3$ 2PIN LED |     |      |      |         |
|-----------------------|-----|------|------|---------|
| PART NO               | A   | B    | C    | PACKAGE |
| 4LED-3D               | 5.1 | 2.54 | 20.3 | 500     |
| 4LED-3K               | 5.1 | 4.75 | 22.5 |         |

**LED 座 LED HOUSING****4-76-1**

- MATERIAL: NYLON 66(UL)
- FLAME CLASS: 94V-2
- COLOR: BLACK

Built-In Clamp Function

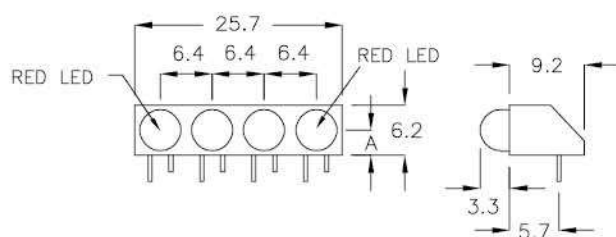
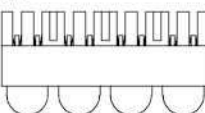
| FOR $\phi 5$ 2PIN LED |     |         |
|-----------------------|-----|---------|
| PART NO               | A   | PACKAGE |
| 4LED-5                | 3.1 | 500     |

**LED 座 LED HOUSING****4-76-2**

- MATERIAL: NYLON 66(UL)+RED LED
- FLAME CLASS: 94V-2
- COLOR: BLACK

Built-In Clamp Function

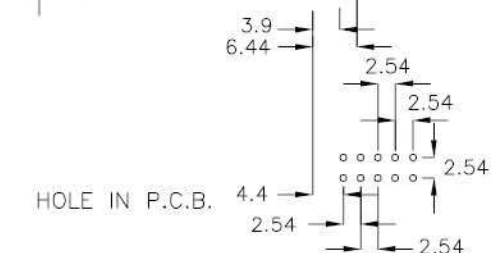
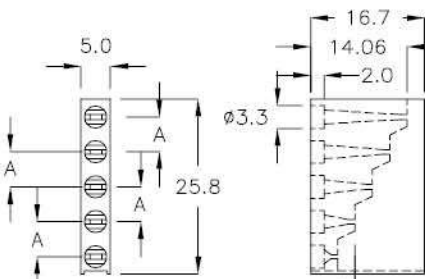
| FOR $\phi 5$ 2PIN LED |     |         |
|-----------------------|-----|---------|
| PART NO               | A   | PACKAGE |
| 4LED-5-R              | 3.1 | 500     |

**LED 座 LED HOUSING****4-76-3**

- MATERIAL: NYLON 66(UL)
- FLAME CLASS: 94V-2
- COLOR: BLACK

Built-In Clamp Function

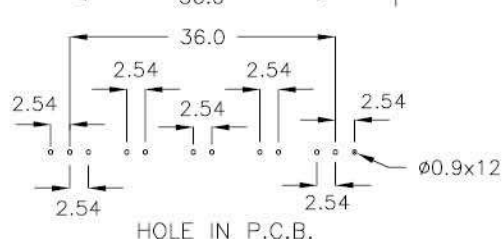
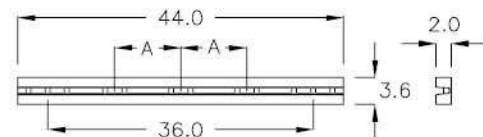
| FOR $\phi 3$ 2PIN LED |      |         |
|-----------------------|------|---------|
| PART NO               | A    | PACKAGE |
| 5LED-3                | 5.08 | 500     |

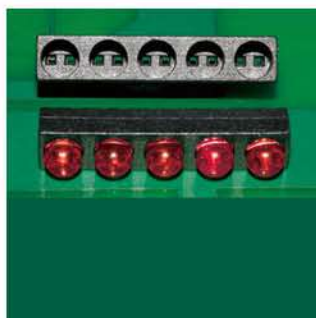
**LED 座 LED HOUSING****4-76-4**

- MATERIAL: NYLON 66(UL)
- FLAME CLASS: 94V-2
- COLOR: BLACK

Built-In Clamp Function

| FOR $\phi 5$ 2PIN LED x3<br>FOR $\phi 5$ 3PIN LED x2 |     |         |
|--|-----|---------|
| PART NO  | A   | PACKAGE |
| QLD-44   | 9.0 | 1000    |





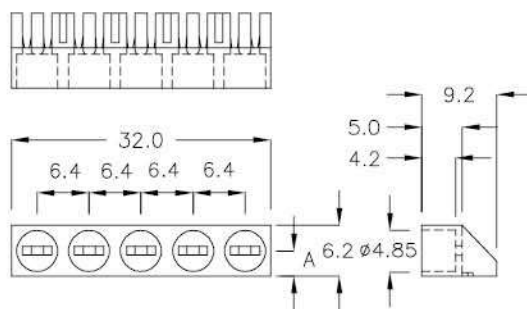
## LED 座 LED HOUSING

4-77-1

- MATERIAL: NYLON 66(UL)
- FLAME CLASS: 94V-2
- COLOR: BLACK

Built-In Clamp Function

| FOR $\phi 5$ 2PIN LED |     |         |
|-----------------------|-----|---------|
| PART NO               | A   | PACKAGE |
| 5LED-5                | 3.1 | 500     |



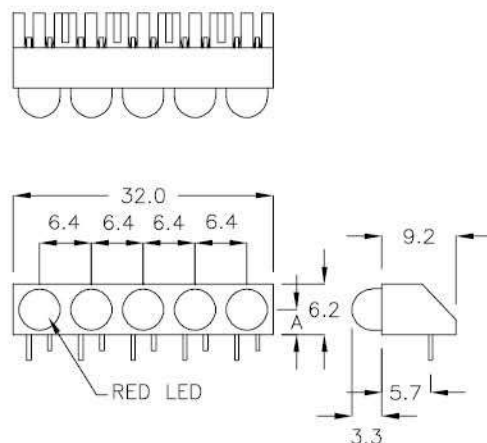
## LED 座 LED HOUSING

4-77-2

- MATERIAL: NYLON 66(UL)+RED LED
- FLAME CLASS: 94V-2
- COLOR: BLACK

Built-In Clamp Function

| FOR $\phi 5$ 2PIN LED |     |         |
|-----------------------|-----|---------|
| PART NO               | A   | PACKAGE |
| 5LED-5-R              | 3.1 | 500     |



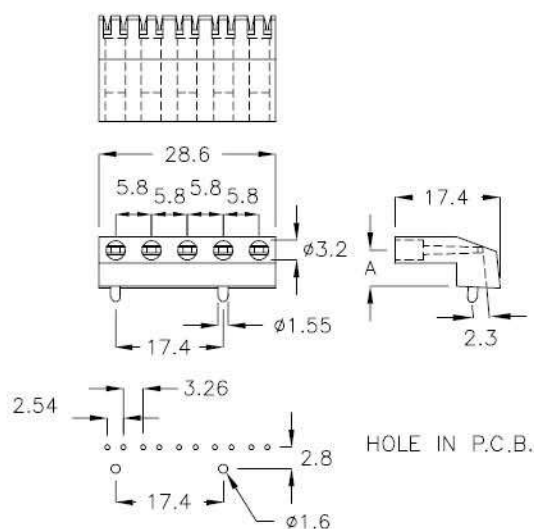
## LED 座 LED HOUSING

4-77-3

- MATERIAL: NYLON 66(UL)
- FLAME CLASS: 94V-2
- COLOR: BLACK

Built-In Clamp Function

| FOR $\phi 3$ 2PIN LED |     |         |
|-----------------------|-----|---------|
| PART NO               | A   | PACKAGE |
| 5LEL-6                | 5.8 | 200     |

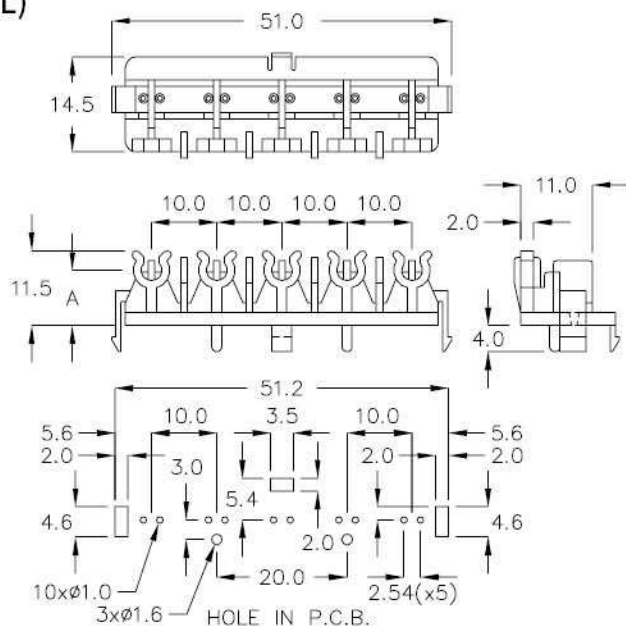


FOR  $\phi 3$  2PIN LED

| PART NO  | A   | PACKAGE |
|----------|-----|---------|
| 5LED-3AT | 8.5 | 200     |

**LED 座 LED HOUSING**

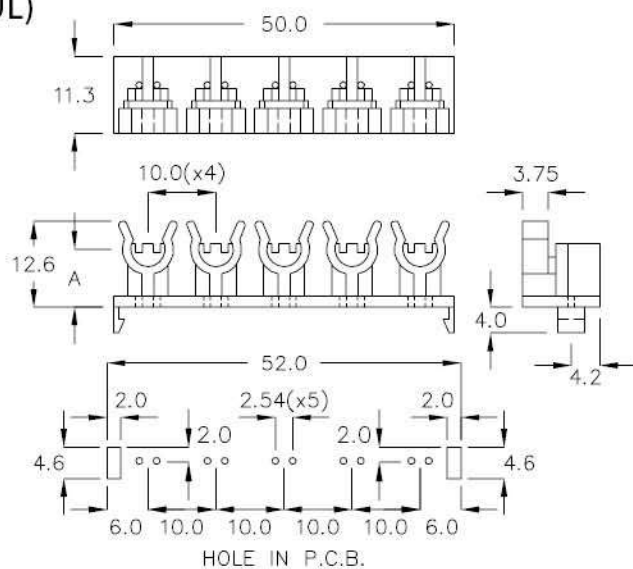
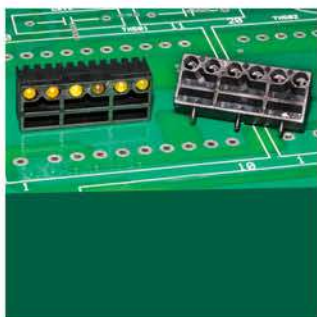
- MATERIAL: NYLON 66(UL)
- FLAME CLASS: 94V-2
- COLOR: BLACK

**4-78-1**FOR  $\phi 5$  2PIN LED

| PART NO  | A   | PACKAGE |
|----------|-----|---------|
| 5LED-5BT | 8.5 | 200     |

**LED 座 LED HOUSING**

- MATERIAL: NYLON 66(UL)
- FLAME CLASS: 94V-2
- COLOR: BLACK

**4-78-2**

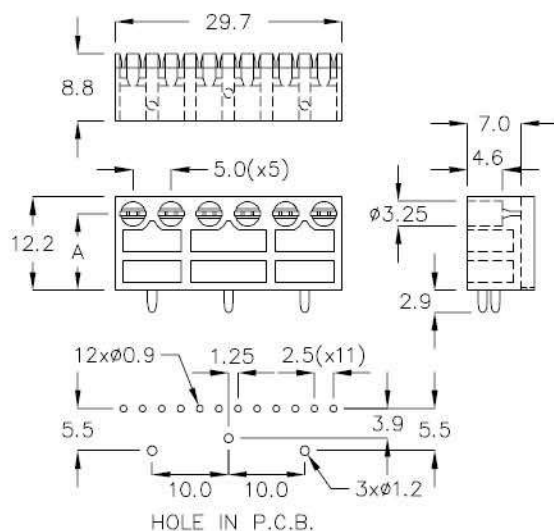
Built-In Clamp Function

FOR  $\phi 3$  2PIN LED

| PART NO | A    | PACKAGE |
|---------|------|---------|
| 6LED-3A | 10.0 | 200     |

**LED 座 LED HOUSING**

- MATERIAL: NYLON 66(UL)
- FLAME CLASS: 94V-2
- COLOR: BLACK

**4-78-3**



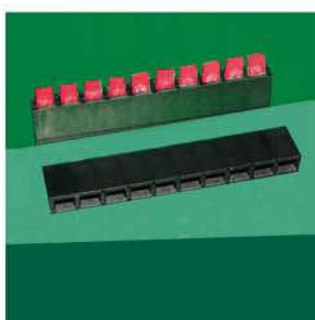
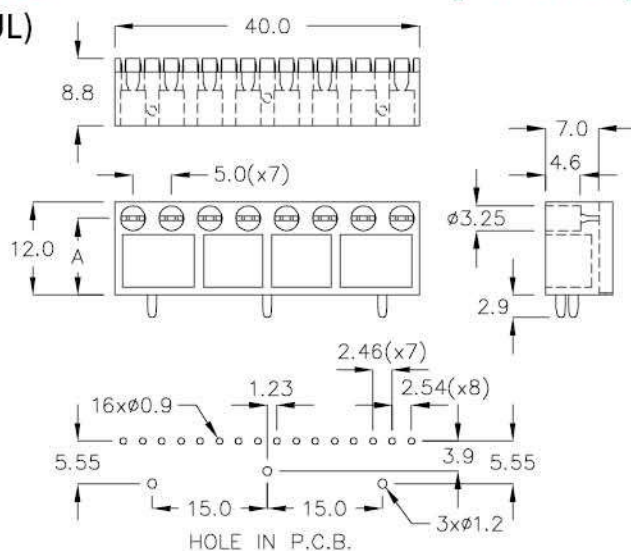
## LED 座 LED HOUSING

4-79-1

- MATERIAL: NYLON 66(UL)
- FLAME CLASS: 94V-2
- COLOR: BLACK

Built-In Clamp Function

| FOR $\phi 3$ 2PIN LED |      |         |
|-----------------------|------|---------|
| PART NO               | A    | PACKAGE |
| 8LED-3                | 10.0 | 200     |

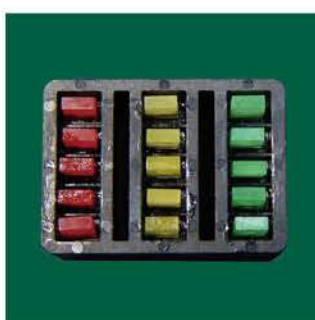
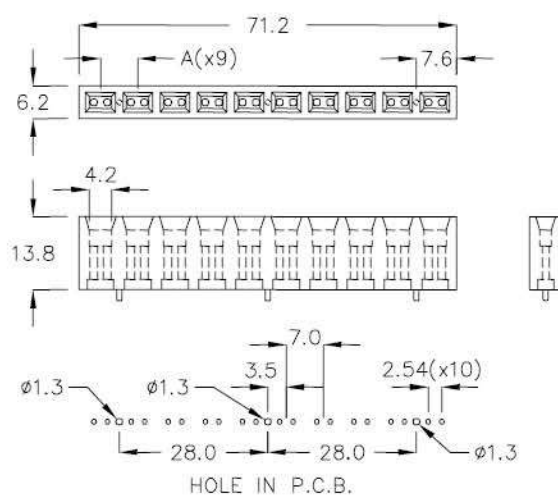


## LED 座 LED HOUSING

4-79-2

- MATERIAL: NYLON 66(UL)
- FLAME CLASS: 94V-2
- COLOR: BLACK

| FOR QUADRATE 2PIN LED |     |         |
|-----------------------|-----|---------|
| PART NO               | A   | PACKAGE |
| 10LED-1               | 7.0 | 200     |

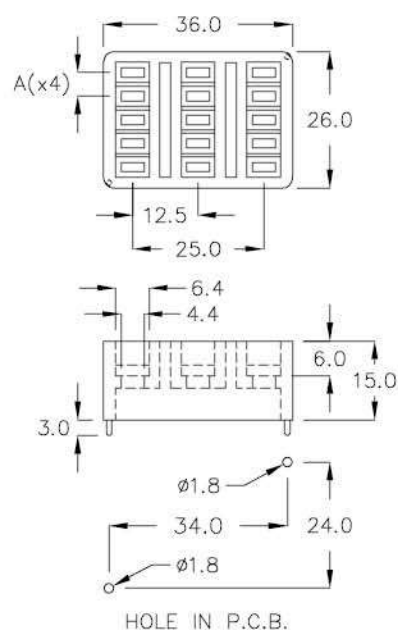


## LED 座 LED HOUSING

4-79-3

- MATERIAL: NYLON 66(UL)
- FLAME CLASS: 94V-2
- COLOR: BLACK

| FOR QUADRATE 2PIN LED |     |         |
|-----------------------|-----|---------|
| PART NO               | A   | PACKAGE |
| 15LED-1               | 4.5 | 100     |







扣具, 鉚釘

FASTENER, SNAP RIVET

05



風扇鉚釘

FAN SNAP RIVET



螺絲, 螺帽

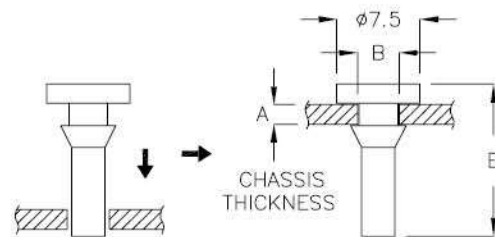
SCREW, SCREW NUT



緩衝墊片 SILICONE BUMPER

5-2-1

- MATERIAL: SILICONE
- COLOR: BLACK



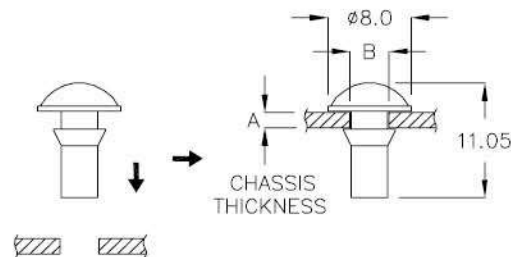
| PART NO | A<br>CHASSIS<br>THICKNESS | B<br>HOLE IN<br>CHASSIS | E    | PACKAGE |
|---------|---------------------------|-------------------------|------|---------|
| SRJ-3NS | 2.3                       | ø3.5                    | 13.7 | 2000    |
| SRJ-3TG | 4.8~5.0                   | ø3.5                    | 16.2 |         |



緩衝墊片 SILICONE BUMPER

5-2-2

- MATERIAL: SILICONE
- COLOR: BLACK



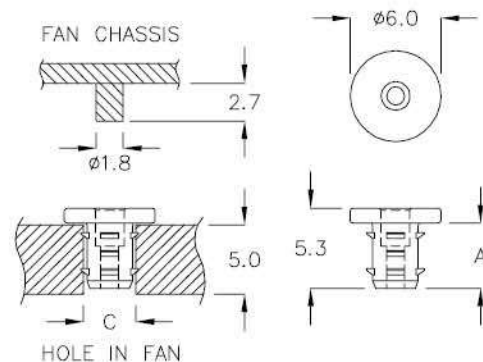
| PART NO | A<br>CHASSIS<br>THICKNESS | B<br>HOLE IN<br>CHASSIS | PACKAGE |
|---------|---------------------------|-------------------------|---------|
| SRF-3A  | 1.9                       | ø3.5                    | 2000    |



風扇鉚釘 FAN SNAP RIVET

5-2-3

- MATERIAL: TPE
- COLOR: BLACK



| PART NO | A   | C<br>HOLE IN<br>FAN | PACKAGE |
|---------|-----|---------------------|---------|
| SRQB-5A | 4.3 | ø3.5                | 2000    |

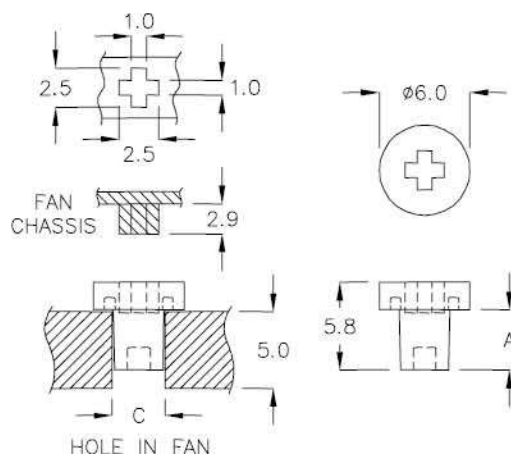


風扇鉚釘 FAN SNAP RIVET

5-3-1

- MATERIAL: TPE
- COLOR: BLACK

| PART NO  | A   | C<br>HOLE IN<br>FAN | PACKAGE |
|----------|-----|---------------------|---------|
| SRQF-3AT | 4.0 | ø3.5                | 2000    |

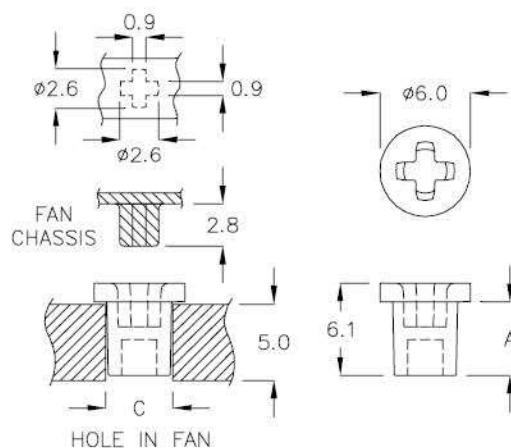


風扇鉚釘 FAN SNAP RIVET

5-3-2

- MATERIAL: TPE
- COLOR: BLACK

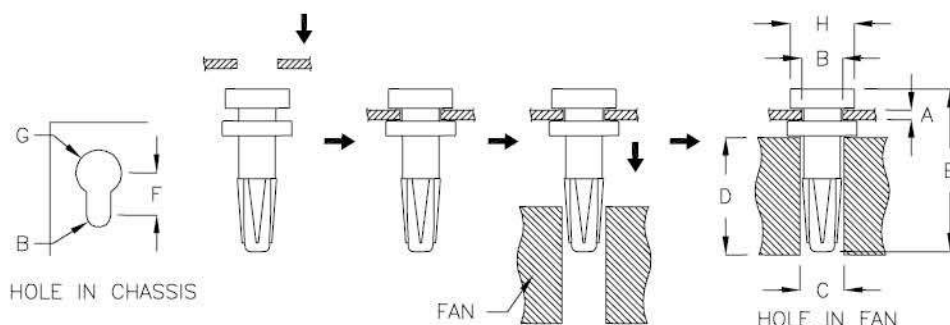
| PART NO  | A    | C<br>HOLE IN<br>FAN | PACKAGE |
|----------|------|---------------------|---------|
| SRQA-4HC | 4.85 | ø4.5                | 2000    |



風扇鉚釘 FAN SNAP RIVET

5-3-3

- COLOR: BLACK



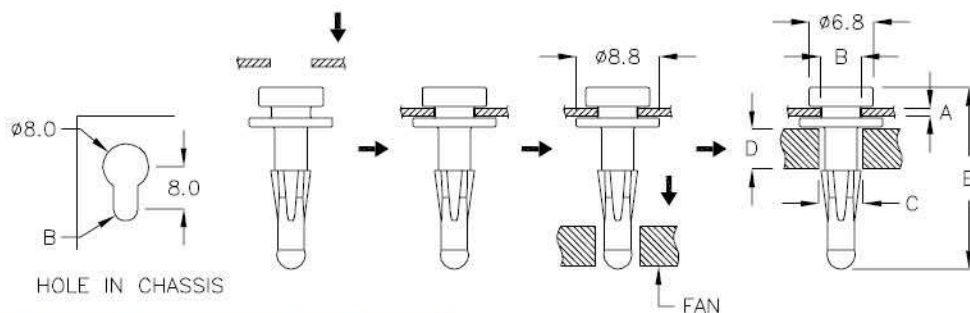
| PART NO  | MATERIAL | A<br>CHASSIS<br>THICKNESS | B<br>HOLE IN<br>CHASSIS | C<br>HOLE IN<br>FAN | D<br>FAN CHASSIS<br>THICKNESS | E    | F   | G    | H    | PACKAGE |
|----------|----------|---------------------------|-------------------------|---------------------|-------------------------------|------|-----|------|------|---------|
| SRYC-3HT | SILICONE | 0.8~1.2                   | ø4.0                    | ø3.5                | 5.0                           | 16.8 | 8.0 | ø8.5 | ø7.8 | 2000    |
| SRYC-3XZ | TPE      | 1.0                       | ø3.5                    | ø3.6                | >11.0                         | 15.5 | 6.0 | ø6.5 | ø6.0 |         |



### 風扇鉚釘 FAN SNAP RIVET

5-4-1

- MATERIAL: TPE
- COLOR: BLACK



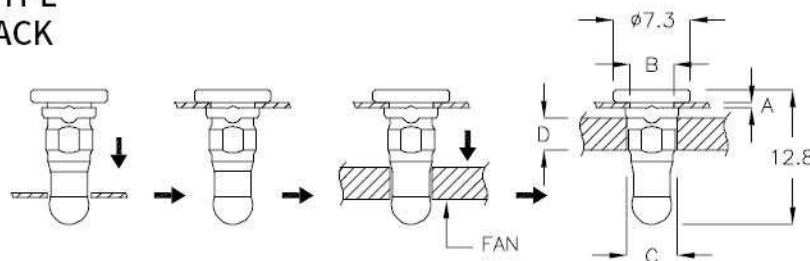
| PART NO  | A CHASSIS THICKNESS | B HOLE IN CHASSIS | C HOLE IN FAN | D FAN CHASSIS THICKNESS | E    | PACKAGE |
|----------|---------------------|-------------------|---------------|-------------------------|------|---------|
| SRYK-3AC | 0.8                 | ∅4.1              | ∅3.5          | 5.0                     | 19.2 | 2000    |



### 風扇鉚釘 FAN SNAP RIVET

5-4-2

- MATERIAL: TPE
- COLOR: BLACK



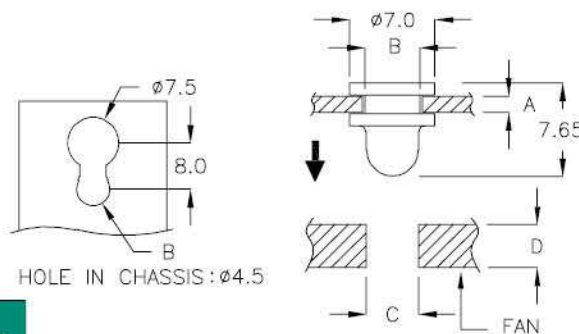
| PART NO  | A CHASSIS THICKNESS | B HOLE IN CHASSIS | C HOLE IN CHASSIS | D FAN CHASSIS THICKNESS | PACKAGE |
|----------|---------------------|-------------------|-------------------|-------------------------|---------|
| SRCQ-4MT | 0.5                 | ∅4.3              | ∅4.5              | 4.0                     | 2000    |



### 風扇鉚釘 FAN SNAP RIVET

5-4-3

- MATERIAL: TPE
- COLOR: BLACK

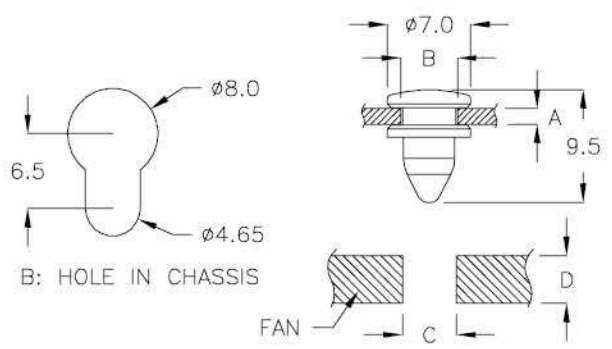


| PART NO | A CHASSIS THICKNESS | B HOLE IN CHASSIS | C HOLE IN FAN | D FAN CHASSIS THICKNESS | PACKAGE |
|---------|---------------------|-------------------|---------------|-------------------------|---------|
| SRY-4XR | 1.5                 | ∅4.5              | ∅4.5          | 4.5                     | 2000    |



風扇鉚釘 FAN SNAP RIVET | 5-5-1 |

- MATERIAL: TPE
- COLOR: BLACK

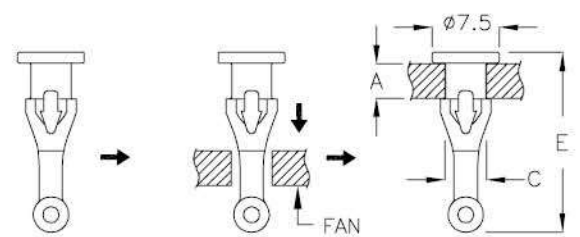


| PART NO  | A<br>CHASSIS<br>THICKNESS | C<br>HOLE IN<br>FAN | D<br>FAN CHASSIS<br>THICKNESS | PACKAGE |
|----------|---------------------------|---------------------|-------------------------------|---------|
| SRYD-4TC | 1.3                       | ∅4.5                | 4.0                           | 2000    |



風扇鉚釘 FAN SNAP RIVET | 5-5-2 |

- MATERIAL: TPE
- COLOR: BLACK

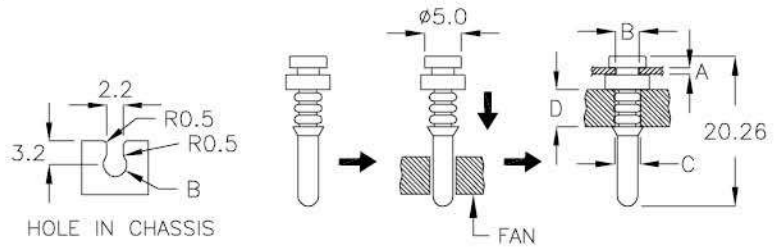


| PART NO | A<br>FAN CHASSIS<br>THICKNESS | C<br>HOLE IN<br>FAN | E    | PACKAGE |
|---------|-------------------------------|---------------------|------|---------|
| SRZ-4AT | 4.0                           | ∅4.5                | 20.1 | 2000    |



風扇鉚釘 FAN SNAP RIVET | 5-5-3 |

- MATERIAL: SILICONE
- COLOR: BLACK



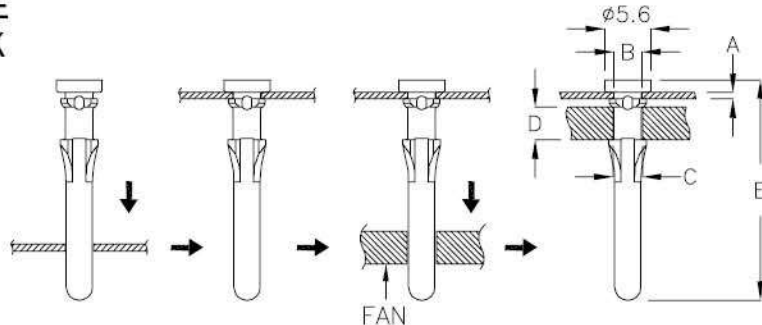
| PART NO  | A<br>CHASSIS<br>THICKNESS | B<br>HOLE IN<br>CHASSIS | C<br>HOLE IN<br>FAN | D<br>FAN<br>THICKNESS | PACKAGE |
|----------|---------------------------|-------------------------|---------------------|-----------------------|---------|
| SRDM-20K | 0.8                       | ∅3.2                    | ∅3.5                | 5.0                   | 2000    |



### 風扇鉚釘 FAN SNAP RIVET

5-6-1

- MATERIAL: TPE
- COLOR: BLACK



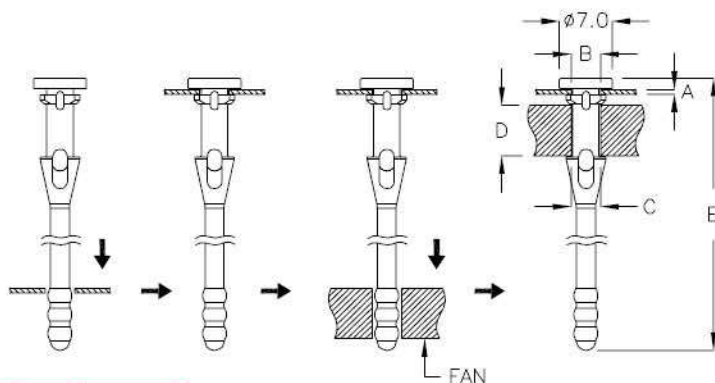
| PART NO  | A<br>CHASSIS<br>THICKNESS | B<br>HOLE IN<br>CHASSIS | C<br>HOLE IN<br>FAN | D<br>FAN CHASSIS<br>THICKNESS | E    | PACKAGE |
|----------|---------------------------|-------------------------|---------------------|-------------------------------|------|---------|
| SRM-24NK | 0.8                       | ø3.5                    | ø3.5                | 4.0                           | 26.9 | 500     |



### 風扇鉚釘 FAN SNAP RIVET

5-6-2

- MATERIAL: TPE
- COLOR: BLACK



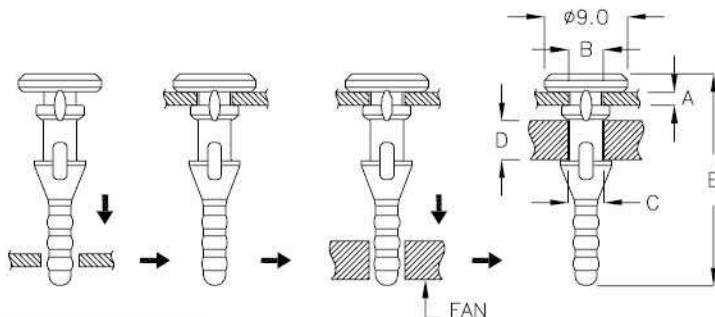
| PART NO | A<br>CHASSIS<br>THICKNESS | B<br>HOLE IN<br>CHASSIS | C<br>HOLE IN<br>FAN | D<br>FAN CHASSIS<br>THICKNESS | E    | PACKAGE |
|---------|---------------------------|-------------------------|---------------------|-------------------------------|------|---------|
| SRD-3GT | 0.8                       | ø3.5                    | ø3.5                | 28.0                          | 73.0 | 1000    |



### 風扇鉚釘 FAN SNAP RIVET

5-6-3

- MATERIAL: SILICONE
- COLOR: BLACK

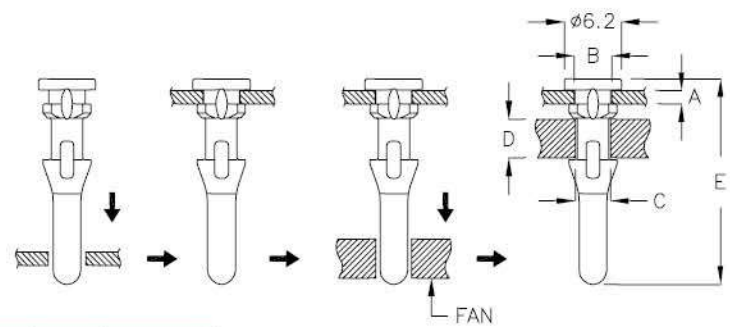


| PART NO | A<br>CHASSIS<br>THICKNESS | B<br>HOLE IN<br>CHASSIS | C<br>HOLE IN<br>FAN | D<br>FAN CHASSIS<br>THICKNESS | E    | PACKAGE |
|---------|---------------------------|-------------------------|---------------------|-------------------------------|------|---------|
| SRD-4WY | 1.5                       | ø3.5                    | ø3.5                | 5.0                           | 23.0 | 1000    |



風扇鉚釘 FAN SNAP RIVET | 5-7-1 |

- MATERIAL: TPE
- COLOR: BLACK

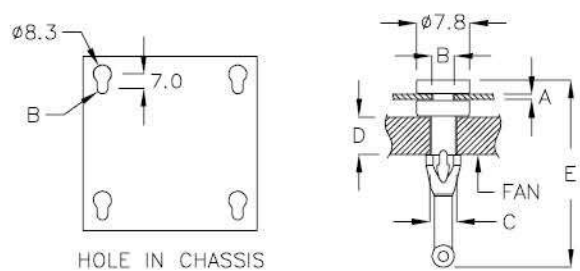


| PART NO  | A CHASSIS THICKNESS | B HOLE IN CHASSIS | C HOLE IN FAN | D FAN CHASSIS THICKNESS | E    | PACKAGE |
|----------|---------------------|-------------------|---------------|-------------------------|------|---------|
| SRDK-22A | 1.5                 | ∅4.0              | ∅3.5          | 5.0                     | 22.2 | 1000    |



風扇鉚釘 FAN SNAP RIVET | 5-7-2 |

- MATERIAL: SILICONE
- COLOR: BLACK

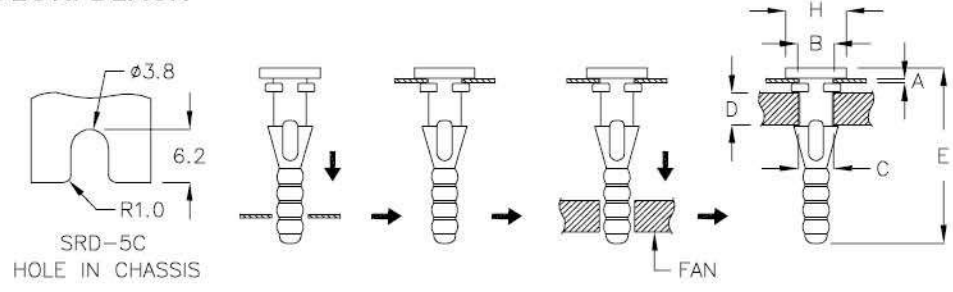


| PART NO | A CHASSIS THICKNESS | B HOLE IN CHASSIS | C HOLE IN FAN | D FAN CHASSIS THICKNESS | E     | PACKAGE |
|---------|---------------------|-------------------|---------------|-------------------------|-------|---------|
| SR-17KM | 1.0                 | ∅3.0              | ∅3.5          | 6.5                     | 27.6  | 2000    |
| SR-20RQ | 1.0                 | ∅4.0              | ∅3.5          | 5.0                     | 25.45 |         |



風扇鉚釘 FAN SNAP RIVET | 5-7-3 |

- COLOR: BLACK



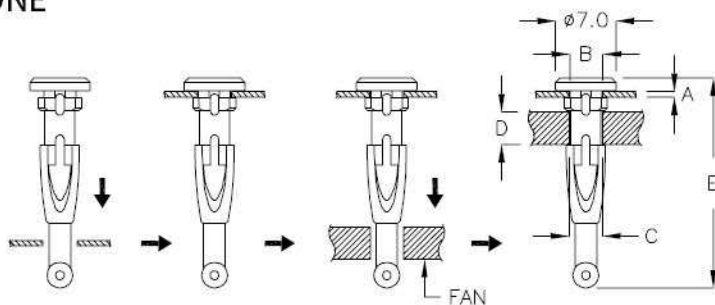
| PART NO | MATERIAL | A CHASSIS THICKNESS | B HOLE IN CHASSIS | C HOLE IN FAN | D FAN CHASSIS THICKNESS | E    | H    | PACKAGE |
|---------|----------|---------------------|-------------------|---------------|-------------------------|------|------|---------|
| SRD-3C  | SILICONE | 1.0                 | ∅3.6              | ∅3.5          | 5.0                     | 20.0 | ∅5.8 | 2000    |
| SRD-3MF | TPE      | 0.8                 | ∅3.5              | ∅3.5          | 4.0                     | 20.0 | ∅5.8 |         |
| SRD-5C  | SILICONE | 0.8                 |                   | ∅4.3          | 5.0                     | 23.8 | ∅8.0 | 1000    |



### 風扇鉚釘 FAN SNAP RIVET

5-8-1

- MATERIAL: SILICONE
- COLOR: BLACK



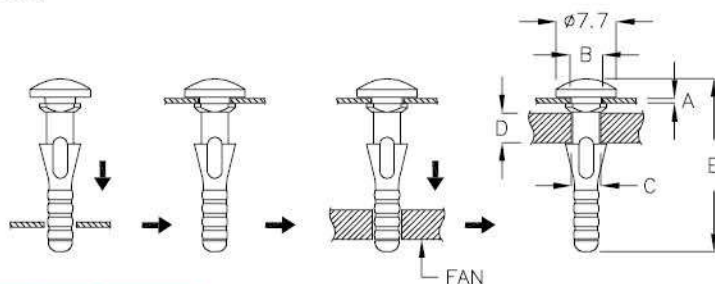
| PART NO | A<br>CHASSIS<br>THICKNESS | B<br>HOLE IN<br>CHASSIS | C<br>HOLE IN<br>FAN | D<br>FAN CHASSIS<br>THICKNESS | E    | PACKAGE |
|---------|---------------------------|-------------------------|---------------------|-------------------------------|------|---------|
| SRG-3A  | 0.8                       | φ3.7                    | φ3.5                | 5.0                           | 24.3 | 1000    |



### 風扇鉚釘 FAN SNAP RIVET

5-8-2

- MATERIAL: SILICONE
- COLOR: BLACK



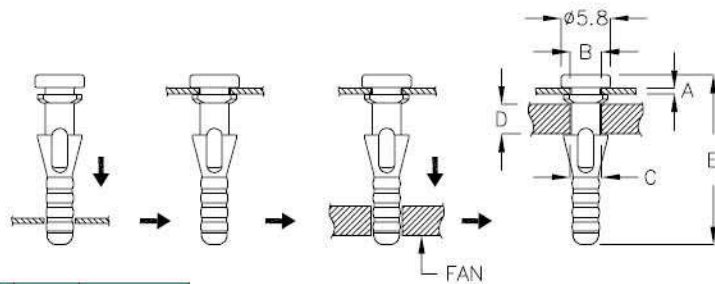
| PART NO  | A<br>CHASSIS<br>THICKNESS | B<br>HOLE IN<br>CHASSIS | C<br>HOLE IN<br>FAN | D<br>FAN CHASSIS<br>THICKNESS | E    | PACKAGE |
|----------|---------------------------|-------------------------|---------------------|-------------------------------|------|---------|
| SRCK-3HR | 1.0                       | φ4.0                    | φ3.5                | 5.0                           | 22.0 | 2000    |



### 風扇鉚釘 FAN SNAP RIVET

5-8-3

- MATERIAL: SILICONE
- COLOR: BLACK



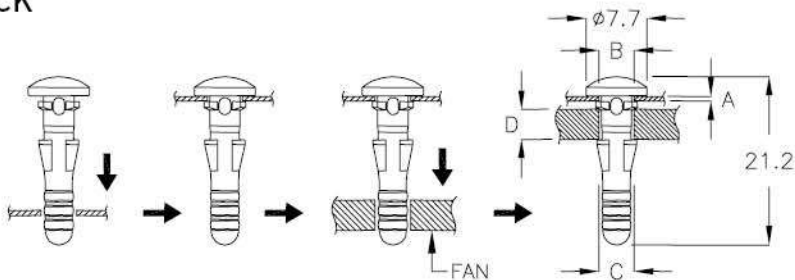
| PART NO | A<br>CHASSIS<br>THICKNESS | B<br>HOLE IN<br>CHASSIS | C<br>HOLE IN<br>FAN | D<br>FAN CHASSIS<br>THICKNESS | E    | PACKAGE |
|---------|---------------------------|-------------------------|---------------------|-------------------------------|------|---------|
| SRD-3FC | 1.0                       | φ3.5                    | φ3.5                | 4.0                           | 20.0 | 2000    |





風扇鉚釘 FAN SNAP RIVET | 5-9-1 |

- MATERIAL: TPE
- COLOR: BLACK

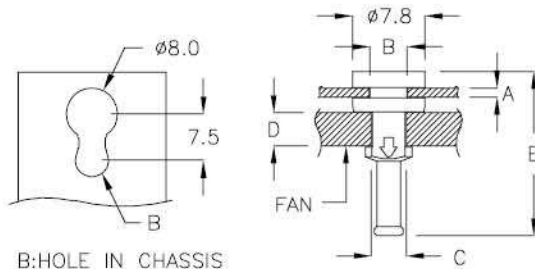


| PART NO  | A CHASSIS THICKNESS | B HOLE IN CHASSIS | C HOLE IN FAN | D FAN THICKNESS | PACKAGE |
|----------|---------------------|-------------------|---------------|-----------------|---------|
| SRCK-4HT | 1.0                 | ø4.0              | ø4.0          | 4.0             | 2000    |



風扇鉚釘 FAN SNAP RIVET | 5-9-2 |

- MATERIAL: SILICONE
- COLOR: BLACK

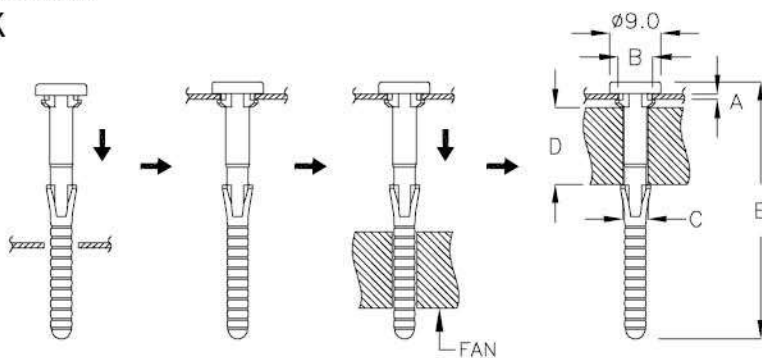


| PART NO | A CHASSIS THICKNESS | B HOLE IN CHASSIS | C HOLE IN FAN | D FAN CHASSIS THICKNESS | E    | PACKAGE |
|---------|---------------------|-------------------|---------------|-------------------------|------|---------|
| SRH-3M  | 1.0                 | ø4.0              | ø3.5          | 4.0                     | 17.7 | 2000    |

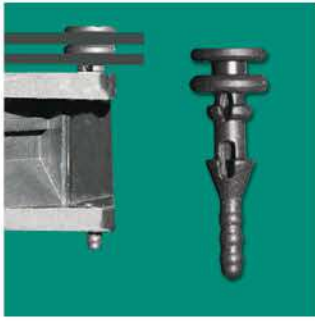


風扇鉚釘 FAN SNAP RIVET | 5-9-3 |

- MATERIAL: SILICONE
- COLOR: BLACK



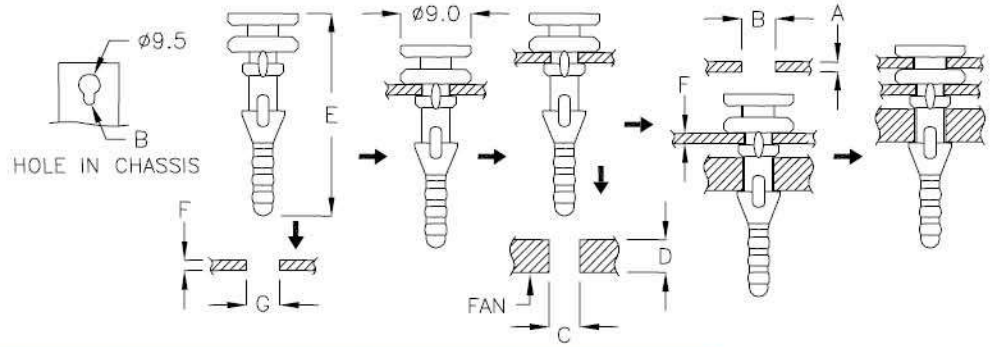
| PART NO | A CHASSIS THICKNESS | B HOLE IN CHASSIS | C HOLE IN FAN | D FAN CHASSIS THICKNESS | E    | PACKAGE |
|---------|---------------------|-------------------|---------------|-------------------------|------|---------|
| SRD-3TF | 2.0                 | ø4.0              | ø3.5          | 5.0                     | 25.0 | 2000    |
| SRD-4CM | 0.8                 | ø6.0              | ø4.3          | 15.0                    | 44.7 |         |



### 風扇鉚釘 FAN SNAP RIVET

5-10-1

- MATERIAL: SILICONE
- COLOR: BLACK



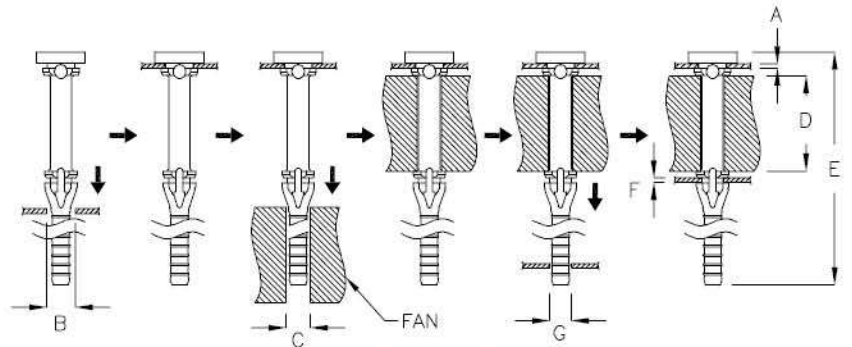
| PART NO | A CHASSIS THICKNESS | B HOLE IN CHASSIS | C HOLE IN FAN | D FAN CHASSIS THICKNESS | E    | F CHASSIS THICKNESS | G HOLE IN CHASSIS | PACKAGE |
|---------|---------------------|-------------------|---------------|-------------------------|------|---------------------|-------------------|---------|
| SRD-4PW | 1.5                 | ø4.2              | ø3.5          | 5.0                     | 26.0 | 1.5                 | ø3.5              | 1000    |



### 風扇鉚釘 FAN SNAP RIVET

5-10-2

- MATERIAL: SILICONE
- COLOR: BLACK



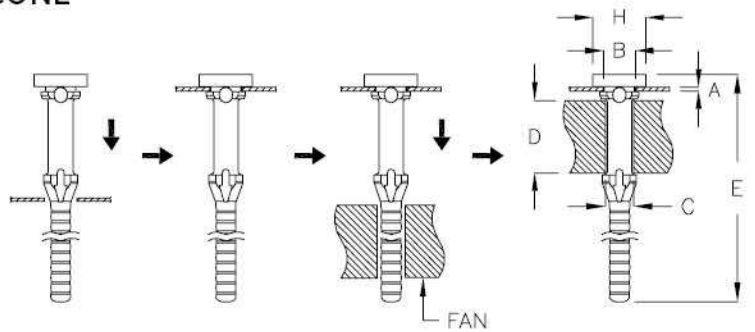
| PART NO | A CHASSIS THICKNESS | B HOLE IN CHASSIS | C HOLE IN FAN | D FAN CHASSIS THICKNESS | E    | F CHASSIS THICKNESS | G HOLE IN CHASSIS | PACKAGE |
|---------|---------------------|-------------------|---------------|-------------------------|------|---------------------|-------------------|---------|
| SRD-3QW | 0.8                 | ø4.5              | ø3.5          | 28.0                    | 72.7 | 0.8                 | ø3.5              | 500     |



### 風扇鉚釘 FAN SNAP RIVET

5-10-3

- MATERIAL: SILICONE
- COLOR: BLACK



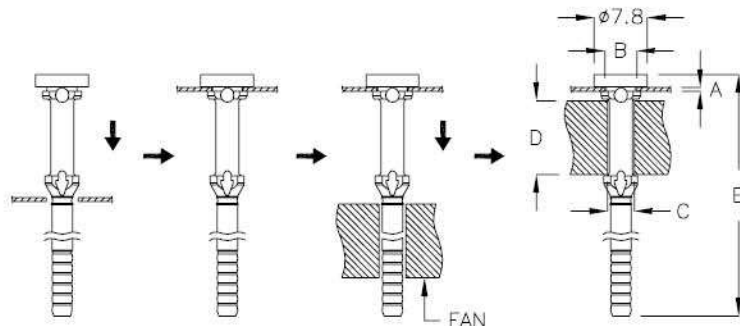
| PART NO | A CHASSIS THICKNESS | B HOLE IN CHASSIS | C HOLE IN FAN | D FAN CHASSIS THICKNESS | E    | H    | PACKAGE |
|---------|---------------------|-------------------|---------------|-------------------------|------|------|---------|
| SRD-3R  | 0.8                 | ø3.5              | ø3.5          | 28.0                    | 70.7 | ø6.8 | 500     |
| SRD-3A  | 0.8                 | ø4.5              | ø3.5          | 28.0                    | 70.7 | ø7.8 |         |
| SRD-3JK | 0.8                 | ø4.5              | ø3.5          | 20.0                    | 54.7 | ø7.8 |         |



### 風扇鉚釘 FAN SNAP RIVET

5-11-1

- MATERIAL: SILICONE
- COLOR: BLACK



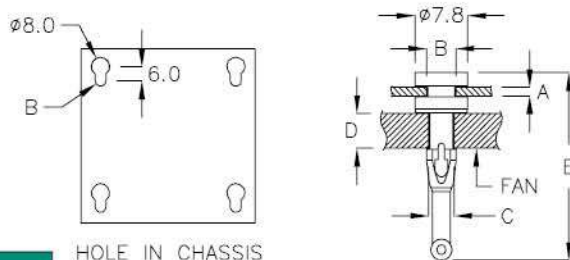
| PART NO   | A<br>CHASSIS<br>THICKNESS | B<br>HOLE IN<br>CHASSIS | C<br>HOLE IN<br>FAN | D<br>FAN CHASSIS<br>THICKNESS | E    | PACKAGE |
|-----------|---------------------------|-------------------------|---------------------|-------------------------------|------|---------|
| ★ SRD-3AT | 0.8                       | ∅4.5                    | ∅3.5                | 28.0                          | 70.7 | 500     |



### 風扇鉚釘 FAN SNAP RIVET

5-11-2

- MATERIAL: TPR
- COLOR: BLACK



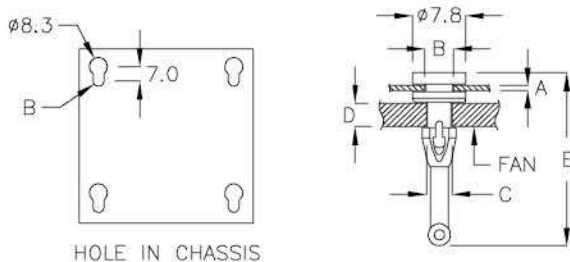
| PART NO | A<br>CHASSIS<br>THICKNESS | B<br>HOLE IN<br>CHASSIS | C<br>HOLE IN<br>FAN | D<br>FAN CHASSIS<br>THICKNESS | E     | PACKAGE |
|---------|---------------------------|-------------------------|---------------------|-------------------------------|-------|---------|
| SR-17Y  | 1.6                       | ∅4.1                    | ∅3.6                | 6.5                           | 27.65 | 2000    |
| SR-20Y  | 1.6                       | ∅4.1                    | ∅3.6                | 5.5                           | 25.0  |         |



### 風扇鉚釘 FAN SNAP RIVET

5-11-3

- MATERIAL: SILICONE
- COLOR: BLACK



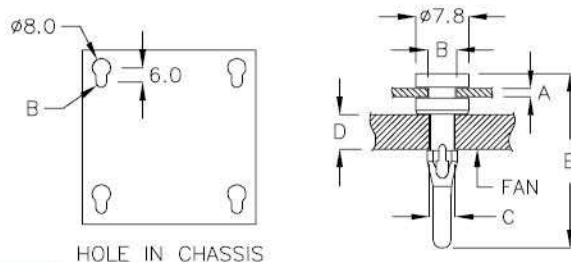
| PART NO | A<br>CHASSIS<br>THICKNESS | B<br>HOLE IN<br>CHASSIS | C<br>HOLE IN<br>FAN | D<br>FAN CHASSIS<br>THICKNESS | E    | PACKAGE |
|---------|---------------------------|-------------------------|---------------------|-------------------------------|------|---------|
| SR-41Y  | 1.0                       | ∅4.0                    | ∅4.0                | 4.0                           | 25.5 | 2000    |



### 風扇鉚釘 FAN SNAP RIVET

5-12-1

- MATERIAL: TPE
- COLOR: BLACK



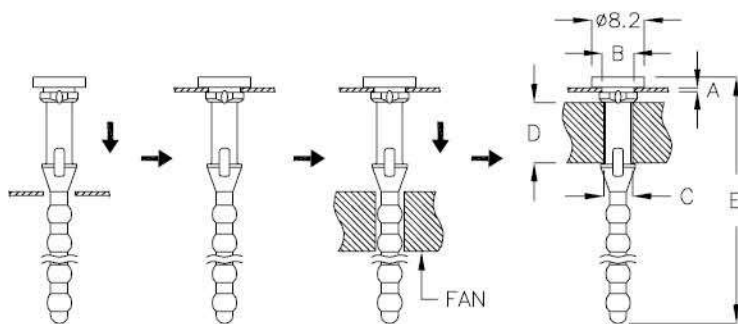
| PART NO | A CHASSIS THICKNESS | B HOLE IN CHASSIS | C HOLE IN FAN | D FAN CHASSIS THICKNESS | E    | PACKAGE |
|---------|---------------------|-------------------|---------------|-------------------------|------|---------|
| SR-20MK | 1.6                 | ø4.1              | ø3.6          | 5.5                     | 25.7 | 2000    |



### 風扇鉚釘 FAN SNAP RIVET

5-12-2

- MATERIAL: SILICONE
- COLOR: BLACK



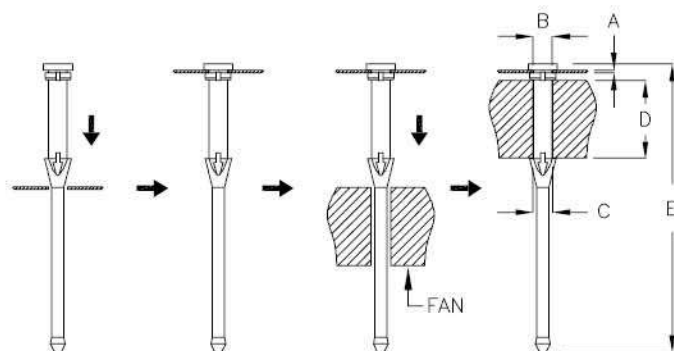
| PART NO | A CHASSIS THICKNESS | B HOLE IN CHASSIS | C HOLE IN FAN | D FAN CHASSIS THICKNESS | E    | PACKAGE |
|---------|---------------------|-------------------|---------------|-------------------------|------|---------|
| SRD-4A  | 1.0                 | ø4.4              | ø4.0          | 25.4                    | 65.8 | 500     |



### 風扇鉚釘 FAN SNAP RIVET

5-12-3

- MATERIAL: SILICONE
- COLOR: BLACK

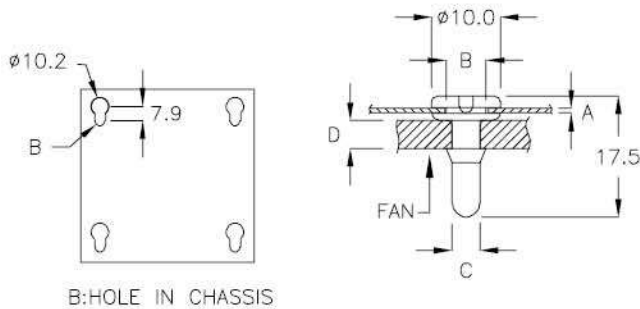


| PART NO | A CHASSIS THICKNESS | B HOLE IN CHASSIS | C HOLE IN FAN | D FAN CHASSIS THICKNESS | E    | PACKAGE |
|---------|---------------------|-------------------|---------------|-------------------------|------|---------|
| SRD-5H  | 0.8                 | ø4.2              | ø4.2          | 20.0                    | 69.3 | 500     |



風扇鉚釘 FAN SNAP RIVET 5-13-1

- MATERIAL: TPE
- COLOR: BLACK



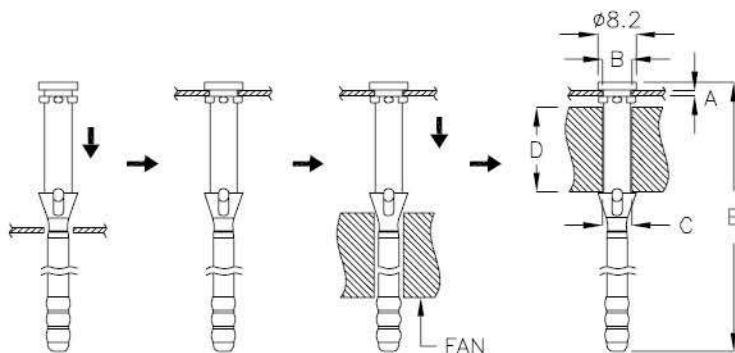
B: HOLE IN CHASSIS

| PART NO | A CHASSIS THICKNESS | B HOLE IN CHASSIS | C HOLE IN FAN | D FAN CHASSIS THICKNESS | PACKAGE |
|---------|---------------------|-------------------|---------------|-------------------------|---------|
| SR-15C  | 0.8                 | φ5.9              | φ4.2          | 4.0                     | 2000    |



風扇鉚釘 FAN SNAP RIVET 5-13-2

- COLOR: BLACK

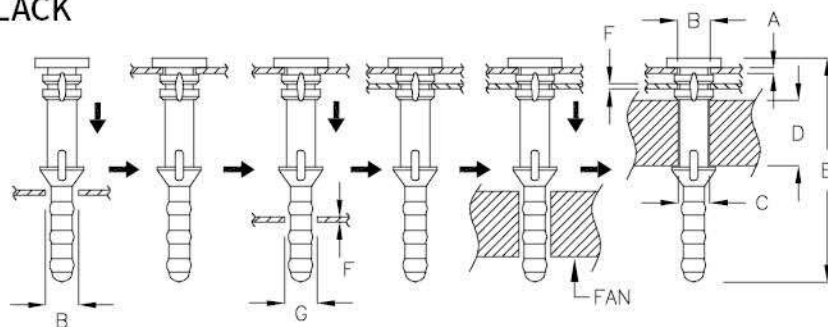


| PART NO | MATERIAL | A CHASSIS THICKNESS | B HOLE IN CHASSIS | C HOLE IN FAN | D FAN CHASSIS THICKNESS | E    | PACKAGE |
|---------|----------|---------------------|-------------------|---------------|-------------------------|------|---------|
| SRD-4BN | SILICONE | 1.0                 | φ4.3              | φ4.3          | 10.0                    | 41.5 | 1000    |
| SRD-4KH | TPE      | 1.0                 | φ4.3              | φ4.3          | 15.0                    | 46.5 |         |



風扇鉚釘 FAN SNAP RIVET 5-13-3

- MATERIAL: SILICONE
- COLOR: BLACK



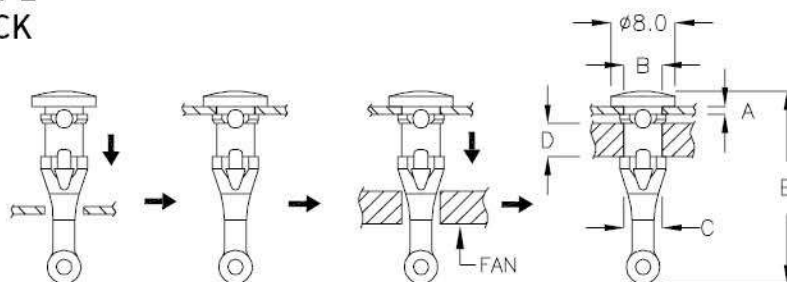
| PART NO | A CHASSIS THICKNESS | B HOLE IN CHASSIS | C HOLE IN FAN | D FAN CHASSIS THICKNESS | E    | F CHASSIS THICKNESS | G HOLE IN CHASSIS | PACKAGE |
|---------|---------------------|-------------------|---------------|-------------------------|------|---------------------|-------------------|---------|
| SRD-4D  | 1.0~1.2             | φ4.3              | φ4.3          | 38.0                    | 81.2 | 0.8~1.0             | φ4.3              | 500     |



### 風扇鉚釘 FAN SNAP RIVET

5-14-1

- MATERIAL: TPE
- COLOR: BLACK



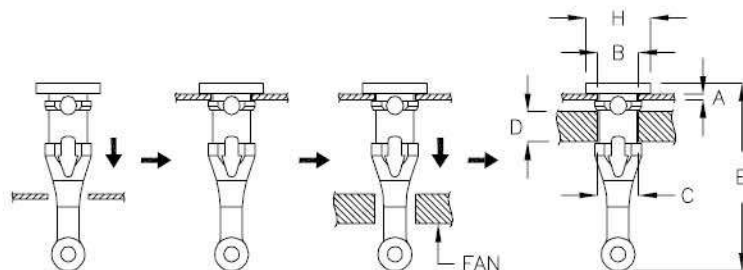
| PART NO | A<br>CHASSIS<br>THICKNESS | B<br>HOLE IN<br>CHASSIS | C<br>HOLE IN<br>FAN | D<br>FAN CHASSIS<br>THICKNESS | E    | PACKAGE |
|---------|---------------------------|-------------------------|---------------------|-------------------------------|------|---------|
| SR-22GS | 1.0                       | ø4.3                    | ø4.3                | 4.0                           | 23.2 | 2000    |



### 風扇鉚釘 FAN SNAP RIVET

5-14-2

- MATERIAL: SILICONE,TPE,TPR
- COLOR: BLACK

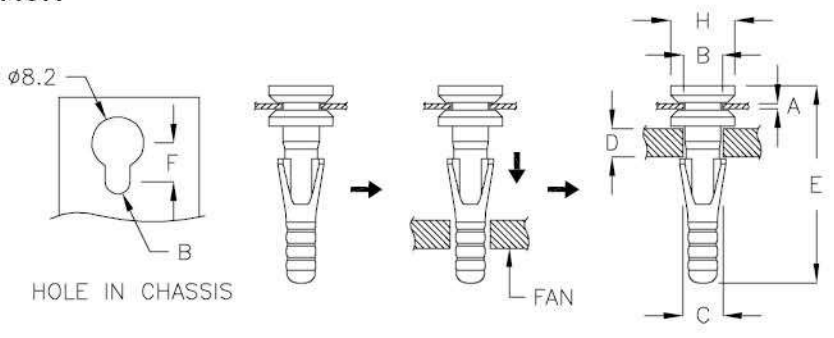


| PART NO | MATERIAL | A<br>CHASSIS<br>THICKNESS | B<br>HOLE IN<br>CHASSIS | C<br>HOLE IN<br>FAN | D<br>FAN CHASSIS<br>THICKNESS | E    | H    | PACKAGE |
|---------|----------|---------------------------|-------------------------|---------------------|-------------------------------|------|------|---------|
| SR-16Y  | TPR      | 0.9                       | ø4.6                    | ø4.6                | 4.0                           | 22.2 | ø7.6 | 2000    |
| SR-22A  | TPE      | 1.0                       | ø4.5                    | ø4.5                | 4.0                           | 22.2 | ø7.6 |         |
| SR-22BL | TPE      | 1.0                       | ø4.5                    | ø4.5                | 4.0                           | 22.8 | ø7.6 | 1000    |
| SR-22C  | TPE      | 1.0                       | ø4.5                    | ø4.5                | 3.0                           | 22.2 | ø7.6 | 2000    |
| SR-22D  | TPE      | 0.8                       | ø4.5                    | ø4.5                | 4.0                           | 22.2 | ø7.6 |         |
| SR-22F  | TPE      | 0.8                       | ø4.5                    | ø4.5                | 3.0                           | 22.2 | ø7.6 |         |
| SR-22H  | SILICONE | 1.0                       | ø4.3                    | ø4.3                | 4.0                           | 22.2 | ø7.6 |         |
| SR-22J  | TPE      | 1.0                       | ø4.3                    | ø4.3                | 3.0                           | 22.2 | ø7.6 |         |
| SR-22K  | TPE      | 0.8                       | ø4.3                    | ø4.3                | 4.0                           | 22.0 | ø7.6 |         |
| SR-22L  | TPE      | 0.8                       | ø4.3                    | ø4.3                | 3.0                           | 22.2 | ø7.6 |         |
| SR-22MP | SILICONE | 2.0                       | ø4.8                    | ø4.3                | 4.5                           | 23.6 | ø8.0 |         |
| SR-22XW | SILICONE | 1.2                       | ø4.5                    | ø4.5                | 4.0                           | 22.7 | ø9.3 |         |

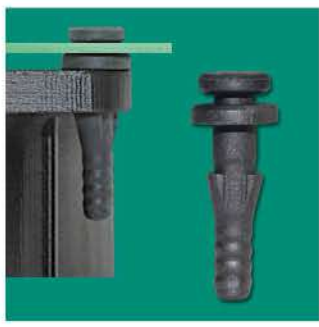


風扇鉚釘 FAN SNAP RIVET ————— 5-15-1

- MATERIAL: TPE
- COLOR: BLACK

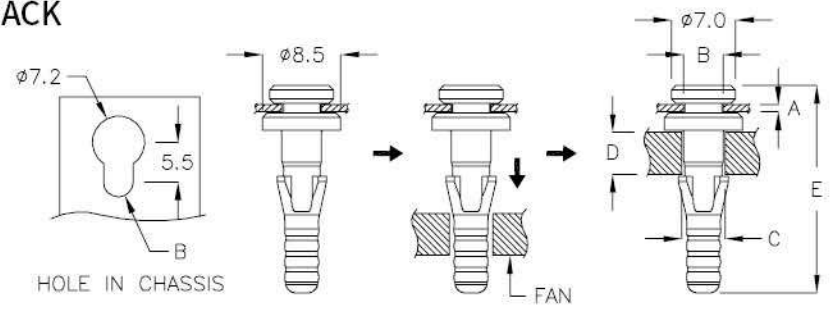


| PART NO  | A CHASSIS THICKNESS | B HOLE IN CHASSIS | C HOLE IN FAN | D FAN CHASSIS THICKNESS | E    | F   | H    | PACKAGE |
|----------|---------------------|-------------------|---------------|-------------------------|------|-----|------|---------|
| SRD-7AK  | 0.8                 | ø4.4              | ø4.3          | 4.0                     | 23.9 | 5.7 | ø7.8 | 1000    |
| SRD-21Y  | 1.0                 | ø4.5              | ø4.5          | 4.0                     | 22.6 | 6.2 | ø8.0 | 2000    |
| SRD-23C  | 1.0                 | ø4.5              | ø4.5          | 4.8                     | 23.3 | 6.2 | ø8.0 | 1000    |
| SRD-25GW | 1.0                 | ø4.5              | ø4.3          | 5.4                     | 25.7 | 6.2 | ø7.8 |         |



風扇鉚釘 FAN SNAP RIVET ————— 5-15-2

- MATERIAL: TPE
- COLOR: BLACK

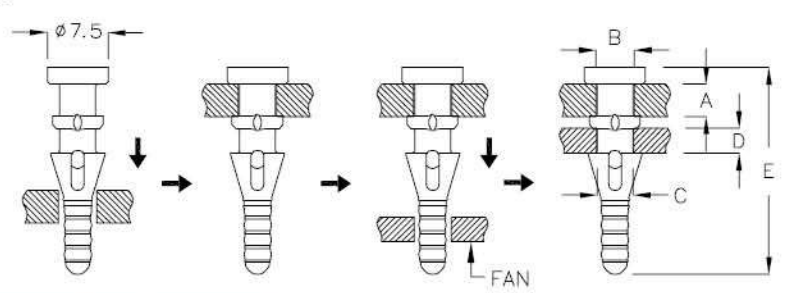


| PART NO  | A CHASSIS THICKNESS | B HOLE IN CHASSIS | C HOLE IN FAN | D FAN CHASSIS THICKNESS | E    | PACKAGE |
|----------|---------------------|-------------------|---------------|-------------------------|------|---------|
| SRD-22MK | 1.0                 | ø4.1              | ø4.5          | 5.0                     | 22.6 | 1000    |



風扇鉚釘 FAN SNAP RIVET ————— 5-15-3

- MATERIAL: TPE
- COLOR: BLACK



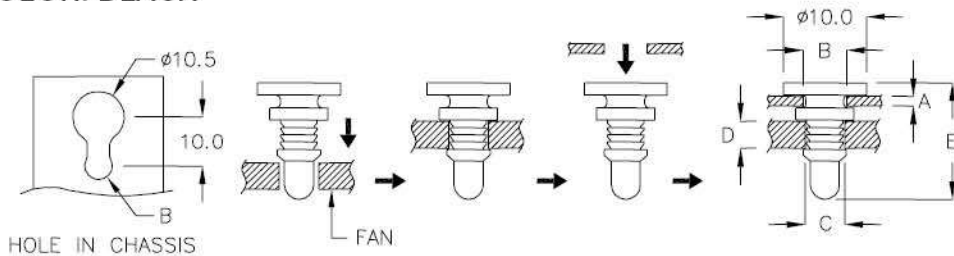
| PART NO | A CHASSIS THICKNESS | B HOLE IN CHASSIS | C HOLE IN FAN | D FAN CHASSIS THICKNESS | E    | PACKAGE |
|---------|---------------------|-------------------|---------------|-------------------------|------|---------|
| SRD-4NH | 4.0                 | ø4.65             | ø4.3          | 4.0                     | 25.4 | 1000    |



### 風扇鉚釘 FAN SNAP RIVET

5-16-1

- MATERIAL: SILICONE
- COLOR: BLACK



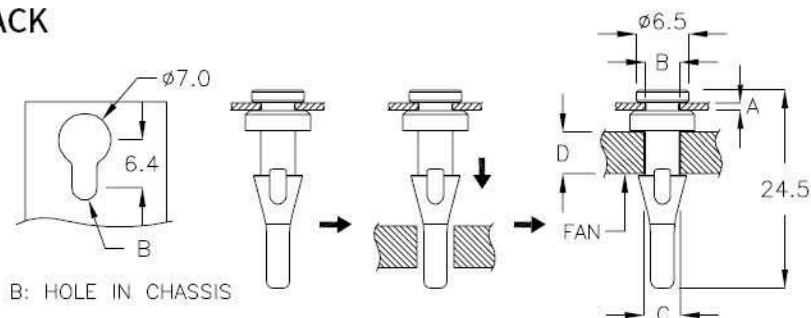
| PART NO  | A CHASSIS THICKNESS | B HOLE IN CHASSIS | C HOLE IN FAN | D FAN CHASSIS THICKNESS | E     | PACKAGE |
|----------|---------------------|-------------------|---------------|-------------------------|-------|---------|
| SRCM-5JG | 1.3                 | ∅5.6              | ∅4.3          | 4.0                     | 13.85 | 2000    |
| SRCM-5K  | 1.6                 | ∅5.6              | ∅4.3          | 4.0                     | 14.05 |         |



### 風扇鉚釘 FAN SNAP RIVET

5-16-2

- MATERIAL: SILICONE
- COLOR: BLACK



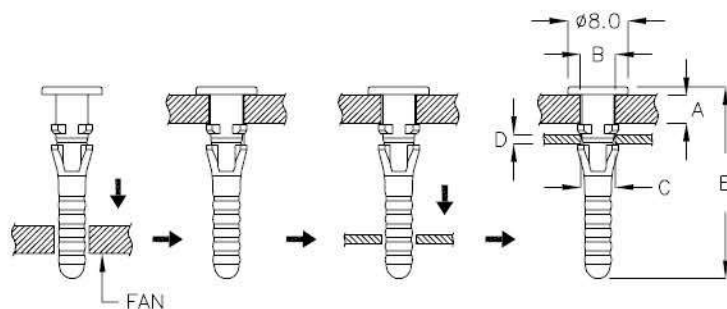
| PART NO  | A CHASSIS THICKNESS | B HOLE IN CHASSIS | C HOLE IN FAN | D FAN CHASSIS THICKNESS | PACKAGE |
|----------|---------------------|-------------------|---------------|-------------------------|---------|
| SRL-24JK | 0.9                 | ∅4.1              | ∅4.4          | 5.6                     | 2000    |



### 風扇鉚釘 FAN SNAP RIVET

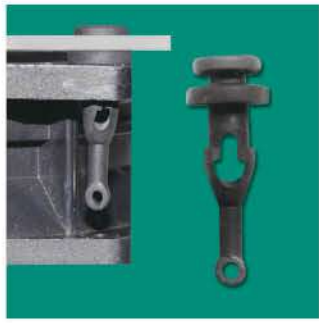
5-16-3

- MATERIAL: TPE
- COLOR: BLACK



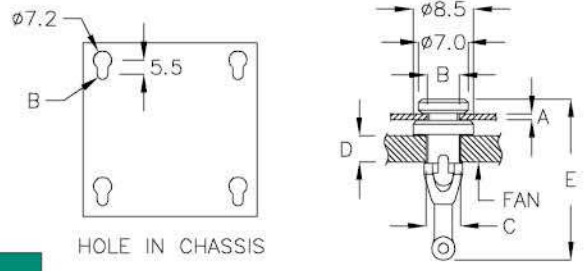
| PART NO  | A FAN CHASSIS THICKNESS | B HOLE IN FAN | C HOLE IN CHASSIS | D CHASSIS THICKNESS | E    | PACKAGE |
|----------|-------------------------|---------------|-------------------|---------------------|------|---------|
| SRCK-4FA | 4.0                     | ∅4.4          | ∅4.4              | 1.5                 | 25.4 | 2000    |





風扇鉚釘 FAN SNAP RIVET | 5-17-1 |

- MATERIAL: TPR
- COLOR: BLACK

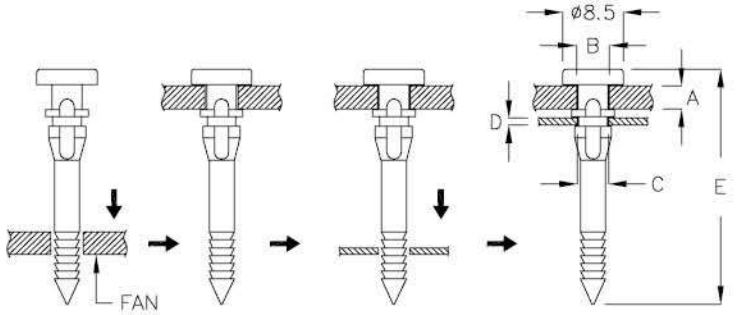


| PART NO | A CHASSIS THICKNESS | B HOLE IN CHASSIS | C HOLE IN FAN | D FAN CHASSIS THICKNESS | E    | PACKAGE |
|---------|---------------------|-------------------|---------------|-------------------------|------|---------|
| SR-26Y  | 1.0                 | ø4.1              | ø4.5          | 4.0                     | 22.6 | 1000    |



風扇鉚釘 FAN SNAP RIVET | 5-17-2 |

- MATERIAL: SILICONE
- COLOR: BLACK

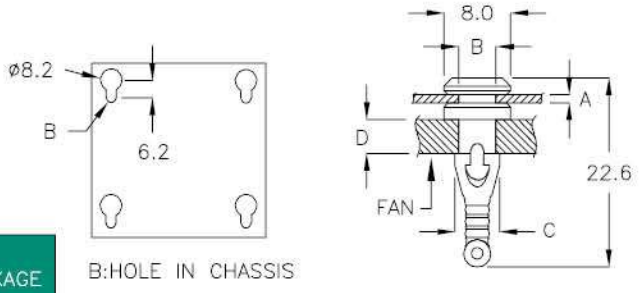


| PART NO | A FAN CHASSIS THICKNESS | B HOLE IN FAN | C HOLE IN CHASSIS | D CHASSIS THICKNESS | E    | PACKAGE |
|---------|-------------------------|---------------|-------------------|---------------------|------|---------|
| SRB-02  | 3.5                     | ø4.2          | ø4.5              | 1.3                 | 33.0 | 2000    |



風扇鉚釘 FAN SNAP RIVET | 5-17-3 |

- MATERIAL: TPR
- COLOR: BLACK



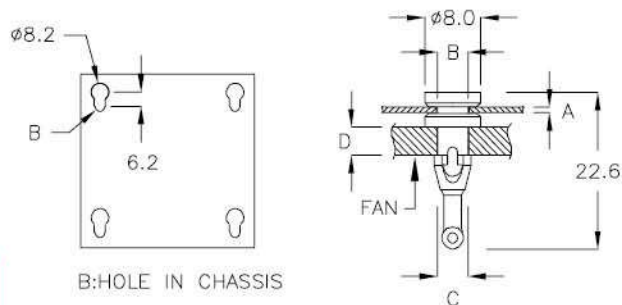
| PART NO | A CHASSIS THICKNESS | B HOLE IN CHASSIS | C HOLE IN FAN | D FAN CHASSIS THICKNESS | PACKAGE |
|---------|---------------------|-------------------|---------------|-------------------------|---------|
| SR-21RK | 1.0                 | ø4.5              | ø4.5          | 4.0                     | 2000    |



### 風扇鉚釘 FAN SNAP RIVET

5-18-1

- MATERIAL: TPE
- COLOR: BLACK



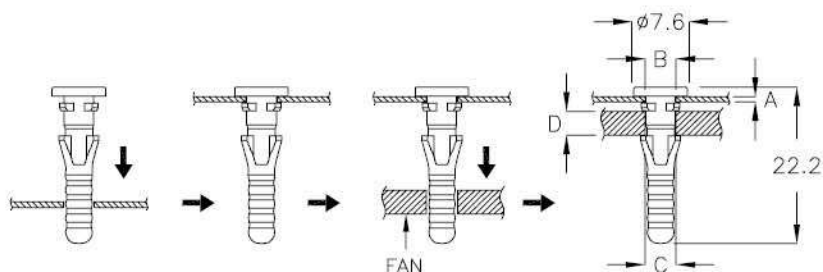
| PART NO | A CHASSIS THICKNESS | B HOLE IN CHASSIS | C HOLE IN FAN | D FAN CHASSIS THICKNESS | PACKAGE |
|---------|---------------------|-------------------|---------------|-------------------------|---------|
| SR-21Y  | 1.0                 | ø4.5              | ø4.5          | 4.0                     | 2000    |



### 風扇鉚釘 FAN SNAP RIVET

5-18-2

- MATERIAL: TPE
- COLOR: BLACK



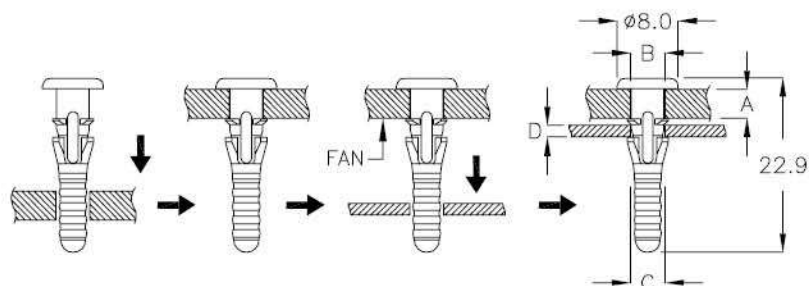
| PART NO  | A CHASSIS THICKNESS | B HOLE IN CHASSIS | C HOLE IN FAN | D FAN CHASSIS THICKNESS | PACKAGE |
|----------|---------------------|-------------------|---------------|-------------------------|---------|
| SRD-22AT | 1.0                 | ø4.5              | ø4.5          | 4.0                     | 2000    |



### 風扇鉚釘 FAN SNAP RIVET

5-18-3

- MATERIAL: TPE
- COLOR: BLACK

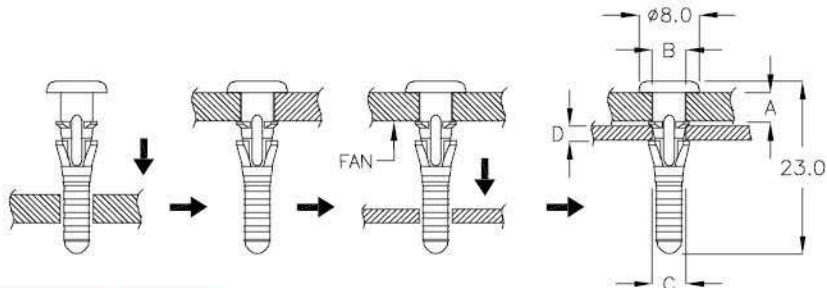


| PART NO  | A FAN THICKNESS | B HOLE IN FAN | C HOLE IN CHASSIS | D CHASSIS THICKNESS | PACKAGE |
|----------|-----------------|---------------|-------------------|---------------------|---------|
| SRBK-4TK | 4.0             | ø4.5          | ø4.5              | 2.0                 | 2000    |



風扇鉚釘 FAN SNAP RIVET | 5-19-1 |

- MATERIAL: TPE
- COLOR: BLACK

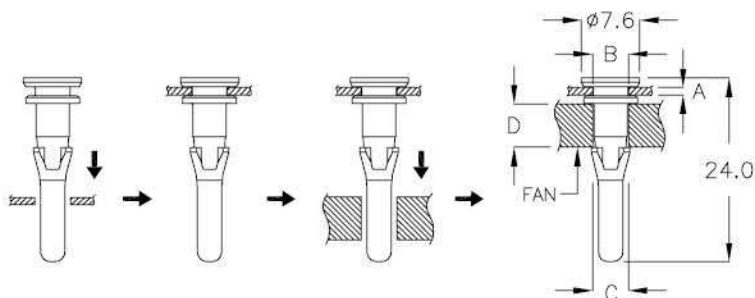


| PART NO  | A FAN THICKNESS | B HOLE IN FAN | C HOLE IN CHASSIS | D CHASSIS THICKNESS | PACKAGE |
|----------|-----------------|---------------|-------------------|---------------------|---------|
| SRCK-4JL | 4.0             | ∅4.5          | ∅4.5              | 2.0                 | 2000    |

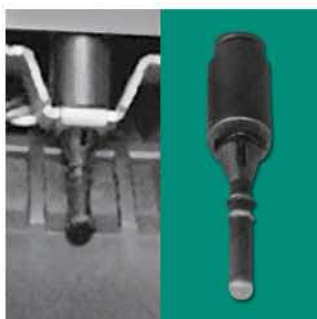


風扇鉚釘 FAN SNAP RIVET | 5-19-2 |

- MATERIAL: TPE
- COLOR: BLACK

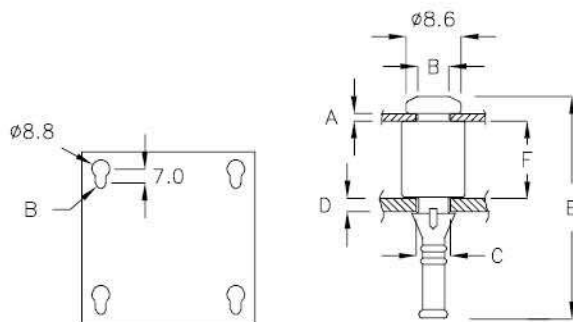


| PART NO | A CHASSIS THICKNESS | B HOLE IN CHASSIS | C HOLE IN FAN | D FAN CHASSIS THICKNESS | PACKAGE |
|---------|---------------------|-------------------|---------------|-------------------------|---------|
| SRD-24D | 1.0                 | ∅4.5              | ∅4.5          | 6.0                     | 2000    |



風扇鉚釘 FAN SNAP RIVET | 5-19-3 |

- MATERIAL: SILICONE
- COLOR: BLACK

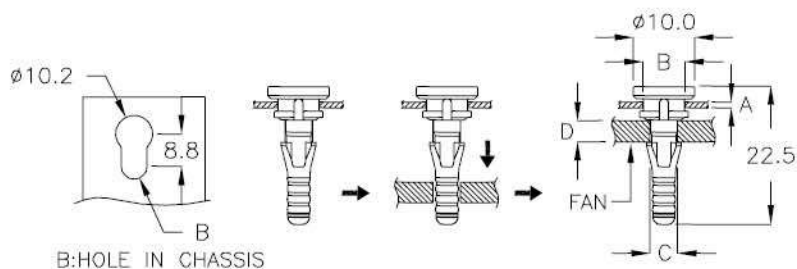


| PART NO | A CHASSIS THICKNESS | B HOLE IN CHASSIS | C HOLE IN FAN | D FAN CHASSIS THICKNESS | E    | F    | PACKAGE |
|---------|---------------------|-------------------|---------------|-------------------------|------|------|---------|
| SR-33Y  | 1.2                 | ∅5.0              | ∅4.6          | 2.5                     | 34.3 | 11.4 | 500     |
| SR-36Y  | 1.2                 | ∅5.0              | ∅4.6          | 2.5                     | 34.9 | 12.0 |         |



### 風扇鉚釘 FAN SNAP RIVET — 5-20-1 |

- MATERIAL: TPE
- COLOR: BLACK

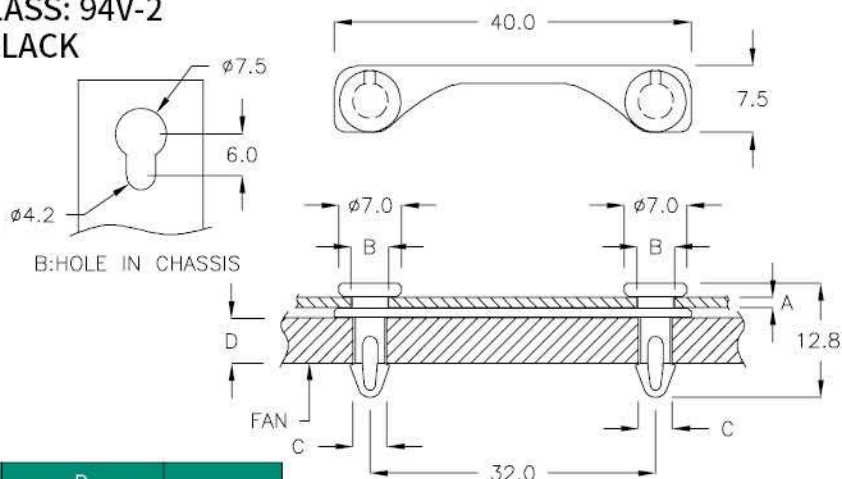


| PART NO  | A CHASSIS THICKNESS | B HOLE IN CHASSIS | C HOLE IN FAN | D FAN CHASSIS THICKNESS | PACKAGE |
|----------|---------------------|-------------------|---------------|-------------------------|---------|
| SRD-21SA | 1.0                 | $\phi 7.1$        | $\phi 4.5$    | 4.0                     | 2000    |



### 風扇固定扣 FAN SNAP RIVET — 5-20-2 |

- MATERIAL: NYLON 66(UL)
- FLAME CLASS: 94V-2
- COLOR: BLACK

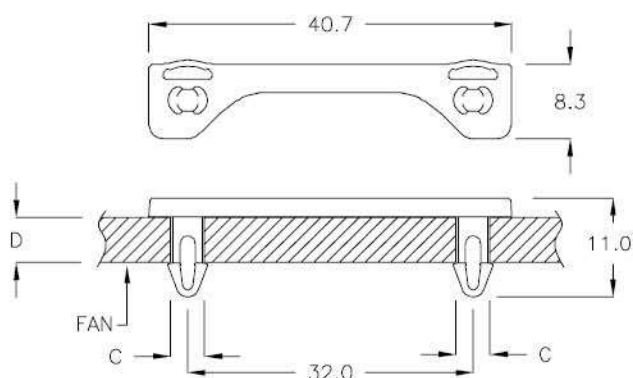


| PART NO | A CHASSIS THICKNESS | B HOLE IN CHASSIS | C HOLE IN FAN | D FAN CHASSIS THICKNESS | PACKAGE |
|---------|---------------------|-------------------|---------------|-------------------------|---------|
| LHK-40  | 1.2                 | $\phi 4.2$        | $\phi 3.5$    | 5.0                     | 200     |



### 風扇固定扣 FAN SNAP RIVET — 5-20-3 |

- MATERIAL: NYLON 66(UL)
- FLAME CLASS: 94V-2
- COLOR: BLACK

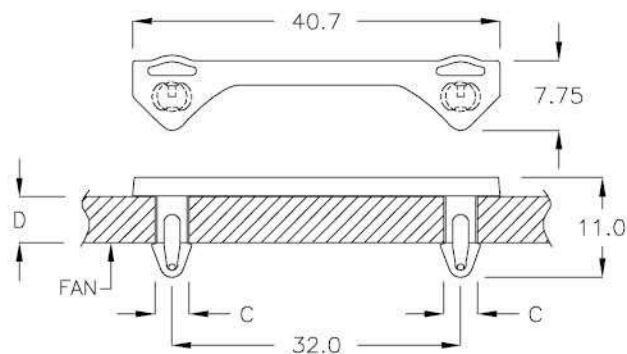


| PART NO | C HOLE IN FAN | D FAN CHASSIS THICKNESS | PACKAGE |
|---------|---------------|-------------------------|---------|
| LHQ-40M | $\phi 3.5$    | 5.0                     | 200     |



### 風扇固定扣 FAN SNAP RIVET 5-21-1

- MATERIAL: NYLON 66(UL)
- FLAME CLASS: 94V-2
- COLOR: BLACK

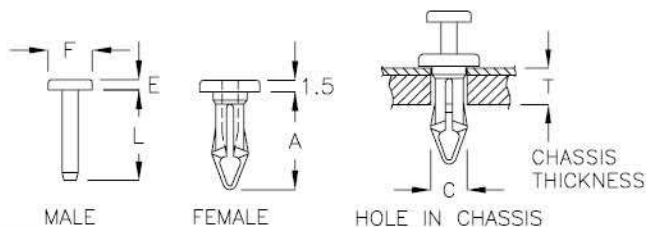


| PART NO  | C HOLE IN FAN | D FAN CHASSIS THICKNESS | PACKAGE |
|----------|---------------|-------------------------|---------|
| LHQ-40KP | ø3.5          | 5.0                     | 200     |



### 鉚釘 MOUNTING BUTTON 5-21-2

- MATERIAL: NYLON 66(UL)
- FLAME CLASS: 94V-2
- COLOR: BLACK

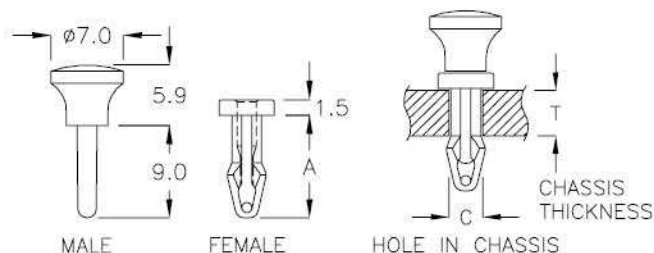


| PART NO | A    | C HOLE IN CHASSIS | E    | F     | L    | T CHASSIS THICKNESS | PACKAGE |
|---------|------|-------------------|------|-------|------|---------------------|---------|
| SR-02Y  | 8.9  | ø3.1              | 1.3  | ø3.2  | 7.65 | 2.5~3.2             | 2000    |
| SR-03Y  | 10.0 | ø3.2              | 1.0  | ø3.1  | 9.0  | 4.2~4.5             |         |
| SR-4Y   | 12.1 | ø4.3              | 1.3  | ø5.5  | 11.2 | 5.6~6.4             |         |
| SR-06C  | 10.7 | ø4.5              | 1.55 | ø7.3  | 9.55 | 5.6~6.0             |         |
| SR-06Y  | 10.8 | ø4.6              | 1.5  | ø7.3  | 9.6  | 5.6~6.0             |         |
| SR-08Y  | 10.7 | ø4.65             | 1.53 | ø4.75 | 9.4  | 5.2~5.7             |         |



### 尼龍鉚釘 SNAP RIVET 5-21-3

- MATERIAL: NYLON 66(UL)
- FLAME CLASS: 94V-2
- COLOR: BLACK



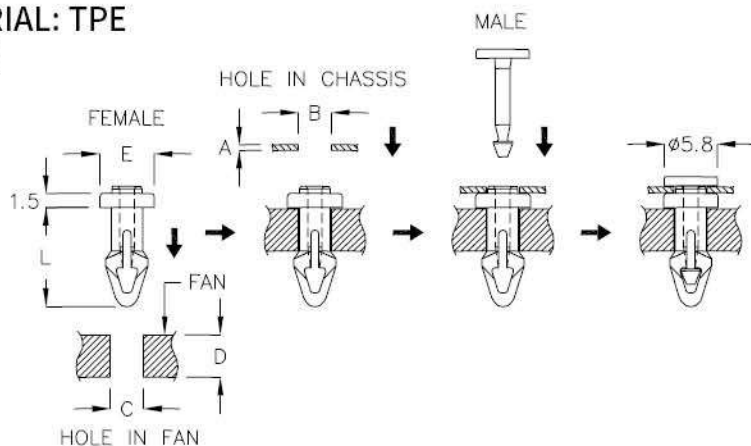
| PART NO | A    | C HOLE IN CHASSIS | T CHASSIS THICKNESS | PACKAGE |
|---------|------|-------------------|---------------------|---------|
| SRXM-3Y | 10.0 | ø3.0              | 4.8                 | 2000    |



### 風扇鉚釘 FAN SNAP RIVET

5-22-1

- MALE MATERIAL: NYLON 66(UL)
- FLAME CLASS: 94V-0
- FEMALE MATERIAL: TPE
- COLOR: BLACK



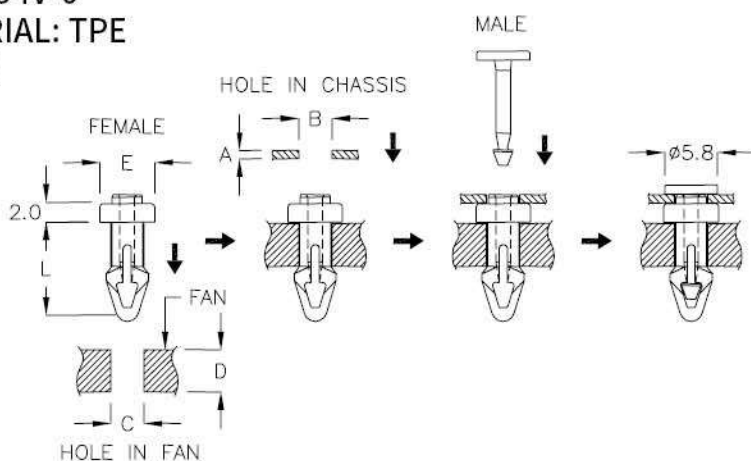
| PART NO | A<br>CHASSIS<br>THICKNESS | B<br>HOLE IN<br>CHASSIS | C<br>HOLE IN<br>FAN | D<br>FAN CHASSIS<br>THICKNESS | E    | L     | PACKAGE |
|---------|---------------------------|-------------------------|---------------------|-------------------------------|------|-------|---------|
| SQR-3KM | 0.8                       | ø3.5                    | ø3.5                | 4.0                           | ø6.8 | 9.95  | 2000    |
| SQR-3GF | 1.0                       | ø3.5                    | ø3.5                | 4.0                           | ø6.8 | 9.95  |         |
| SQR-3AK | 0.8                       | ø3.5                    | ø3.5                | 5.0                           | ø6.0 | 10.85 |         |
| SQR-3DP | 1.0                       | ø3.5                    | ø3.5                | 5.0                           | ø6.0 | 10.85 |         |



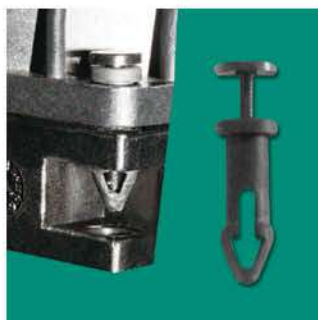
### 風扇鉚釘 FAN SNAP RIVET

5-22-2

- MALE MATERIAL: NYLON 66(UL)
- FLAME CLASS: 94V-0
- FEMALE MATERIAL: TPE
- COLOR: BLACK



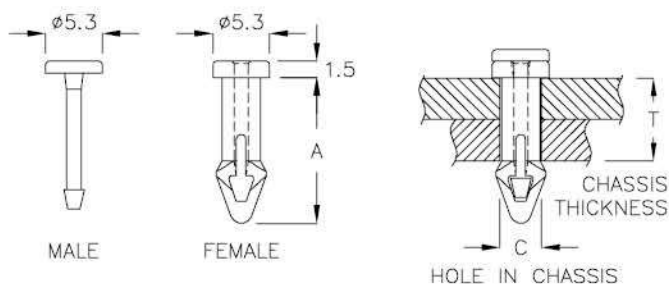
| PART NO  | A<br>CHASSIS<br>THICKNESS | B<br>HOLE IN<br>CHASSIS | C<br>HOLE IN<br>FAN | D<br>FAN CHASSIS<br>THICKNESS | E    | L     | PACKAGE |
|----------|---------------------------|-------------------------|---------------------|-------------------------------|------|-------|---------|
| SQRC-3TC | 1.0                       | ø3.5                    | ø3.5                | 5.0                           | ø6.0 | 10.85 | 2000    |



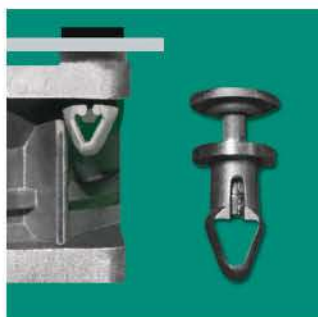
### 風扇鉚釘 FAN SNAP RIVET

5-23-1

- MALE MATERIAL: NYLON 66(UL)
- FLAME CLASS: 94V-0
- FEMALE MATERIAL: TPE
- COLOR: BLACK



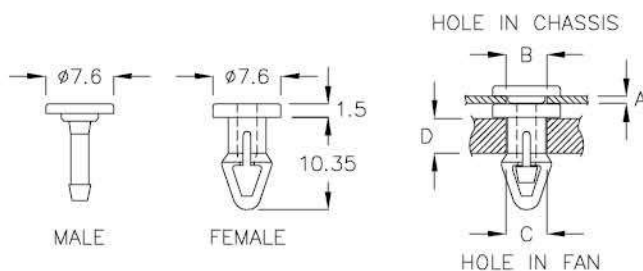
| PART NO | A    | C<br>HOLE IN<br>CHASSIS | T<br>CHASSIS<br>THICKNESS | PACKAGE |
|---------|------|-------------------------|---------------------------|---------|
| SR-14Y  | 13.6 | φ3.6                    | 8.1~8.3                   | 2000    |



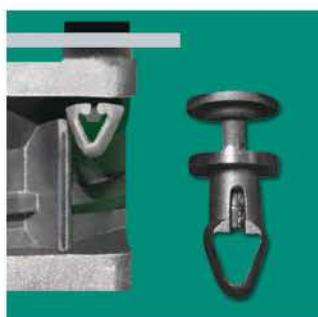
### 風扇鉚釘 FAN SNAP RIVET

5-23-2

- MALE MATERIAL: NYLON 66(UL)
- FLAME CLASS: 94V-2
- FEMALE MATERIAL: PU
- COLOR: BLACK



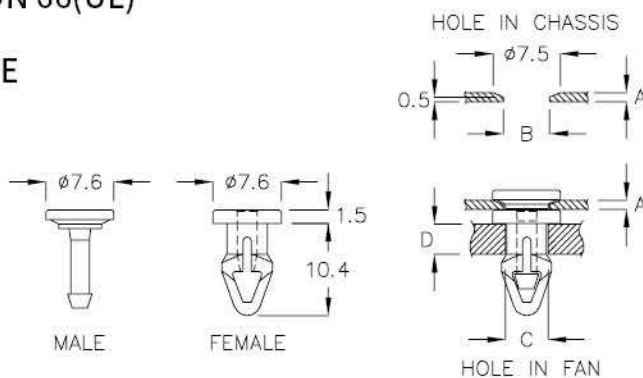
| PART NO | A<br>CHASSIS<br>THICKNESS | B<br>HOLE IN<br>CHASSIS | C<br>HOLE IN<br>FAN | D<br>FAN CHASSIS<br>THICKNESS | PACKAGE |
|---------|---------------------------|-------------------------|---------------------|-------------------------------|---------|
| SR-11Y  | 0.8                       | φ4.6                    | φ4.45               | 4.3~4.5                       | 2000    |
| SR-12Y  | 0.8                       | φ4.6                    | φ4.45               | 4.5~5.7                       |         |
| SR-45Y  | 0.8                       | φ4.6                    | φ4.3                | 3.0                           |         |



### 風扇鉚釘 FAN SNAP RIVET

5-23-3

- MALE MATERIAL: NYLON 66(UL)
- FLAME CLASS: 94V-2
- FEMALE MATERIAL: TPE
- COLOR: BLACK



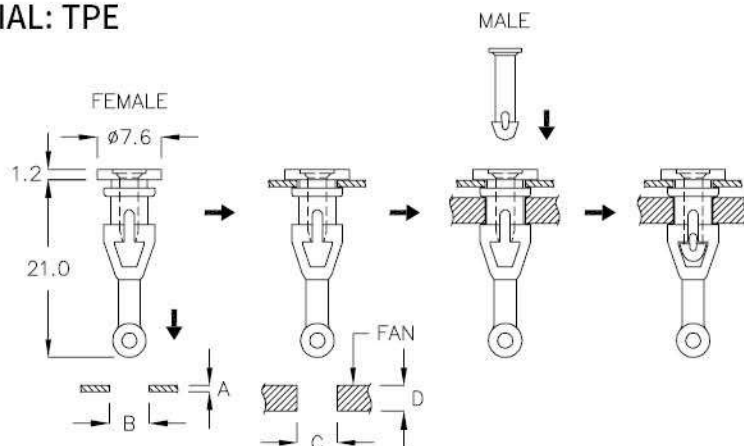
| PART NO | A<br>CHASSIS<br>THICKNESS | B<br>HOLE IN<br>CHASSIS | C<br>HOLE IN<br>FAN | D<br>FAN CHASSIS<br>THICKNESS | PACKAGE |
|---------|---------------------------|-------------------------|---------------------|-------------------------------|---------|
| SR-13Y  | 1.0                       | φ5.15                   | φ4.45               | 4.0~4.2                       | 2000    |



### 風扇鉚釘 FAN SNAP RIVET

5-24-1

- MALE MATERIAL: NYLON 66(UL)
- FLAME CLASS: 94V-2
- FEMALE MATERIAL: TPE
- COLOR: BLACK



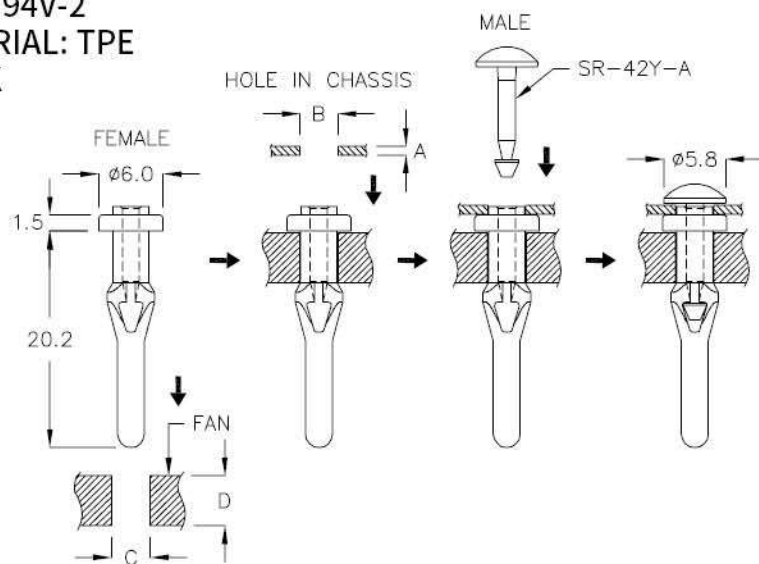
| PART NO | A<br>CHASSIS<br>THICKNESS | B<br>HOLE IN<br>CHASSIS | C<br>HOLE IN<br>FAN | D<br>FAN CHASSIS<br>THICKNESS | PACKAGE |
|---------|---------------------------|-------------------------|---------------------|-------------------------------|---------|
| SR-15Y  | 1.0                       | $\phi 4.6$              | $\phi 4.6$          | 3.8~4.0                       | 2000    |



### 風扇鉚釘 FAN SNAP RIVET

5-24-2

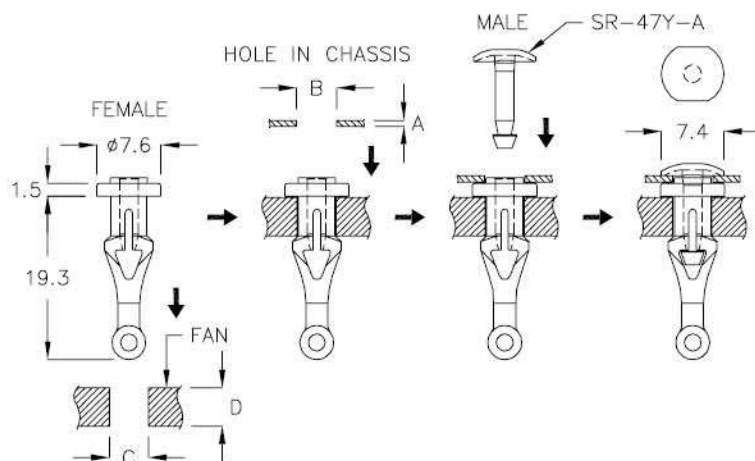
- MALE MATERIAL: NYLON 66(UL)
- FLAME CLASS: 94V-2
- FEMALE MATERIAL: TPE
- COLOR: BLACK



| PART NO  | A<br>CHASSIS<br>THICKNESS | B<br>HOLE IN<br>CHASSIS | C<br>HOLE IN<br>FAN | D<br>FAN CHASSIS<br>THICKNESS | PACKAGE |
|----------|---------------------------|-------------------------|---------------------|-------------------------------|---------|
| SRNT-3FY | 0.8~1.0                   | $\phi 3.5$              | $\phi 3.5$          | 5.0                           | 2000    |



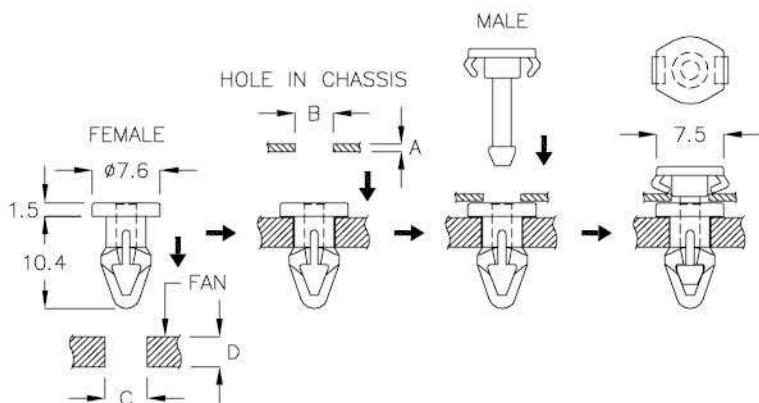
風扇鉚釘 FAN SNAP RIVET 5-25-1



- MALE MATERIAL: NYLON 66(UL)
- FLAME CLASS: 94V-2
- FEMALE MATERIAL: TPE
- COLOR: BLACK

| PART NO | A CHASSIS THICKNESS | B HOLE IN CHASSIS | C HOLE IN FAN | D FAN CHASSIS THICKNESS | PACKAGE |
|---------|---------------------|-------------------|---------------|-------------------------|---------|
| SRN-47Y | 0.8                 | ∅4.5              | ∅4.3          | 4.8~5.0                 | 1000    |

風扇鉚釘 FAN SNAP RIVET 5-25-2



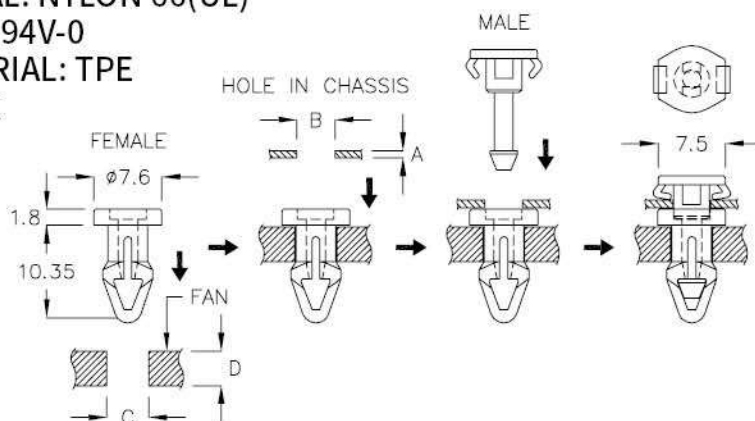
- MALE MATERIAL: NYLON 66(UL)
- FLAME CLASS: 94V-0
- FEMALE MATERIAL: TPE
- COLOR: BLACK

| PART NO | A CHASSIS THICKNESS | B HOLE IN CHASSIS | C HOLE IN FAN | D FAN CHASSIS THICKNESS | PACKAGE |
|---------|---------------------|-------------------|---------------|-------------------------|---------|
| SR-19Y  | 0.8                 | ∅4.1              | ∅4.45         | 4.0~4.2                 | 2000    |

風扇鉚釘 FAN SNAP RIVET 5-25-3



- MALE MATERIAL: NYLON 66(UL)
- FLAME CLASS: 94V-0
- FEMALE MATERIAL: TPE
- COLOR: BLACK



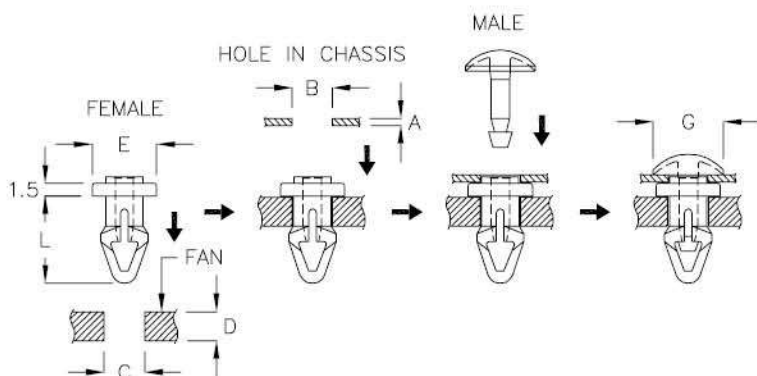
| PART NO | A CHASSIS THICKNESS | B HOLE IN CHASSIS | C HOLE IN FAN | D FAN CHASSIS THICKNESS | PACKAGE |
|---------|---------------------|-------------------|---------------|-------------------------|---------|
| SR-23Y  | 1.2                 | ∅4.1              | ∅4.45         | 4.0~4.2                 | 2000    |
| SR-24Y  | 0.8                 | ∅4.1              | ∅4.45         | 4.0~4.2                 |         |



風扇鉚釘 FAN SNAP RIVET

5-26-1

- MALE MATERIAL: NYLON 66(UL)
- FLAME CLASS: 94V-2
- FEMALE MATERIAL: TPE
- COLOR: BLACK



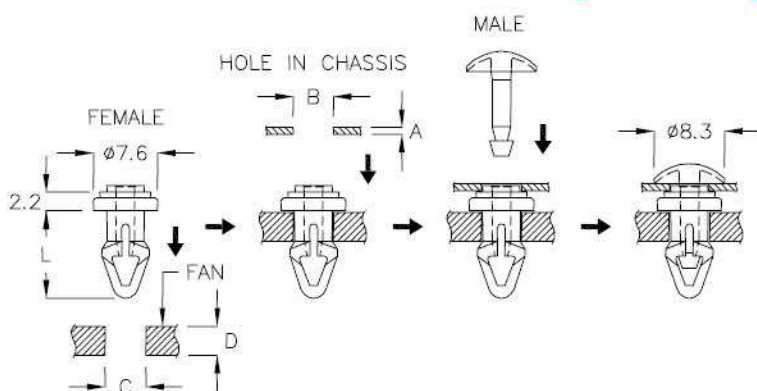
| PART NO | A<br>CHASSIS THICKNESS | B<br>HOLE IN CHASSIS | C<br>HOLE IN FAN | D<br>FAN CHASSIS THICKNESS | E    | G    | L     | PACKAGE |
|---------|------------------------|----------------------|------------------|----------------------------|------|------|-------|---------|
| SR-38Y  | 0.8~1.2                | φ4.5                 | φ4.45            | 4.0                        | φ7.6 | φ8.3 | 10.35 | 2000    |
| SR-42Y  | 0.8~1.0                | φ3.5                 | φ3.5             | 5.0                        | φ6.0 | φ5.8 | 11.3  |         |



風扇鉚釘 FAN SNAP RIVET

5-26-2

- MALE MATERIAL: NYLON 66(UL)
- FLAME CLASS: 94V-2
- FEMALE MATERIAL: TPE
- COLOR: BLACK



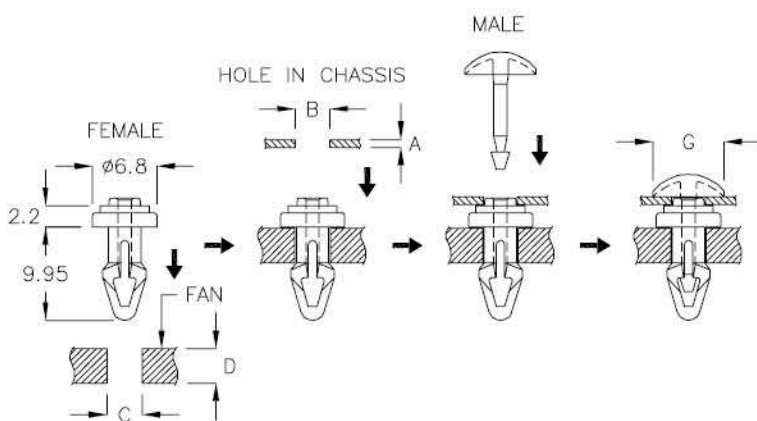
| PART NO | A<br>CHASSIS THICKNESS | B<br>HOLE IN CHASSIS | C<br>HOLE IN FAN | D<br>FAN CHASSIS THICKNESS | L     | PACKAGE |
|---------|------------------------|----------------------|------------------|----------------------------|-------|---------|
| SR-39Y  | 0.8~1.2                | φ4.5                 | φ4.45            | 4.0                        | 10.35 | 2000    |
| SR-43Y  | 0.8~1.2                | φ4.5                 | φ4.3             | 3.5                        | 9.95  |         |



風扇鉚釘 FAN SNAP RIVET

5-26-3

- MALE MATERIAL: NYLON 66(UL)
- FLAME CLASS: 94V-2
- FEMALE MATERIAL: TPE
- COLOR: BLACK

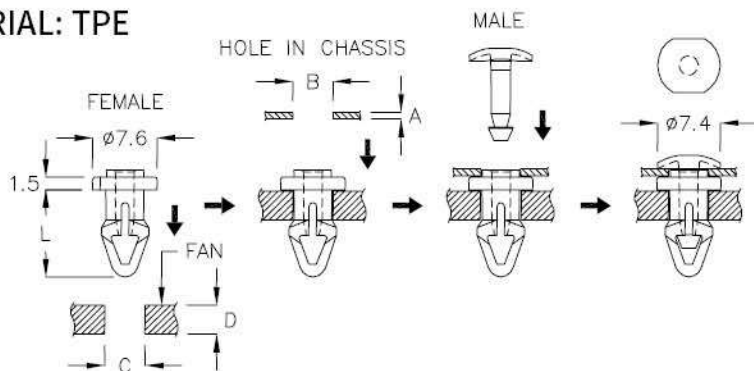


| PART NO | A<br>CHASSIS THICKNESS | B<br>HOLE IN CHASSIS | C<br>HOLE IN FAN | D<br>FAN CHASSIS THICKNESS | G    | PACKAGE |
|---------|------------------------|----------------------|------------------|----------------------------|------|---------|
| SR-44Y  | 0.8                    | φ3.5                 | φ3.5             | 4.0                        | φ7.5 | 2000    |
| SR-48Y  | 1.0                    | φ3.5                 | φ3.5             | 4.0                        | φ5.8 |         |



### 風扇鉚釘 FAN SNAP RIVET 5-27-1

- MALE MATERIAL: NYLON 66(UL)
- FLAME CLASS: 94V-2
- FEMALE MATERIAL: TPE
- COLOR: BLACK

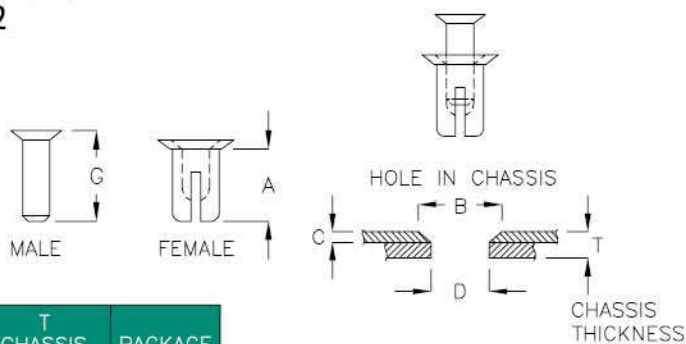


| PART NO | A<br>CHASSIS THICKNESS | B<br>HOLE IN CHASSIS | C<br>HOLE IN FAN | D<br>FAN CHASSIS THICKNESS | L     | PACKAGE |
|---------|------------------------|----------------------|------------------|----------------------------|-------|---------|
| SR-46Y  | 1.0~1.2                | ∅4.5                 | ∅4.45            | 4.0                        | 10.35 | 2000    |
| SR-47Y  | 0.8                    | ∅4.5                 | ∅4.3             | 5.0                        | 11.35 |         |

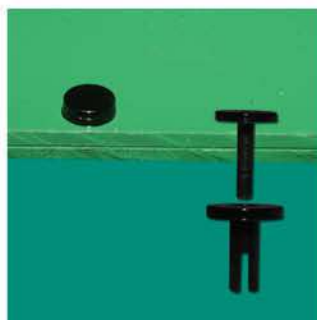


### 尼龍鉚釘 SNAP RIVET 5-27-2

- MATERIAL: NYLON 66(UL)
- FLAME CLASS: 94V-2
- COLOR: BLACK



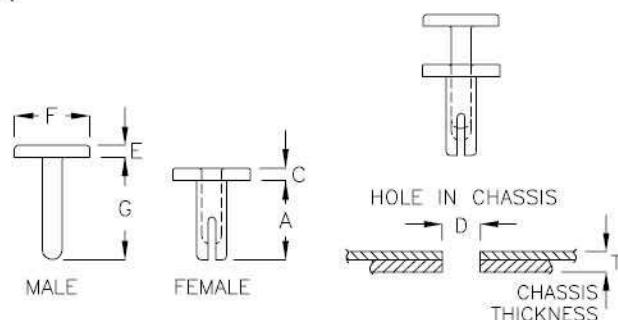
| PART NO | A    | B<br>HOLE IN CHASSIS | C<br>CHASSIS THICKNESS | D<br>HOLE IN CHASSIS | G     | T<br>CHASSIS THICKNESS | PACKAGE |
|---------|------|----------------------|------------------------|----------------------|-------|------------------------|---------|
| SR-3P   | 8.0  | ∅6.5                 | 1.25                   | ∅3.0                 | 8.65  | 5.1~5.3                | 2000    |
| SR-3RY  | 3.0  | ∅5.9                 | 0.8                    | ∅3.4                 | 3.7   | 2.7~2.95               |         |
| SR-4B   | 6.35 | ∅6.5                 | 0.7                    | ∅4.0                 | 7.8   | 3.5~3.9                |         |
| SR-4CA  | 6.2  | ∅6.5                 | 0.8                    | ∅4.0                 | 7.5   | 3.5~4.9                |         |
| SR-4P   | 8.5  | ∅6.5                 | 0.8                    | ∅4.0                 | 9.85  | 4.3~5.6                |         |
| SR-4PF  | 7.25 | ∅5.8                 | 0.9                    | ∅4.0                 | 9.3   | 5.7~6.0                |         |
| SR-4PL  | 10.4 | ∅6.5                 | 0.8                    | ∅4.0                 | 12.8  | 6.8~8.8                |         |
| SR-4PJ  | 15.0 | ∅6.5                 | 1.5                    | ∅3.9                 | 17.45 | 12.0~13.0              |         |



### 尼龍鉚釘 SNAP RIVET

5-28-1

- MATERIAL: NYLON 66(UL)
- FLAME CLASS: 94V-2
- COLOR: BLACK



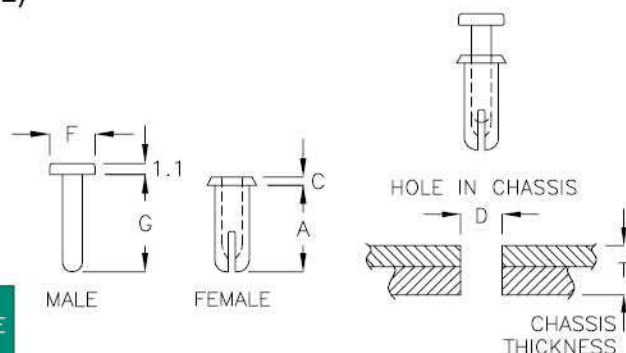
| PART NO | A   | C   | D<br>HOLE IN<br>CHASSIS | E    | F    | G    | T<br>CHASSIS<br>THICKNESS | PACKAGE |
|---------|-----|-----|-------------------------|------|------|------|---------------------------|---------|
| SR-2MC  | 3.2 | 0.6 | ∅2.0                    | 0.5  | ∅3.5 | 4.0  | 1.3~2.0                   | 2000    |
| SR-2QH  | 4.0 | 0.8 | ∅2.0                    | 0.5  | ∅3.5 | 4.85 | 2.0~3.0                   |         |
| SR-2TK  | 5.0 | 0.8 | ∅2.0                    | 0.75 | ∅4.8 | 6.5  | 2.8~3.5                   |         |



### 尼龍鉚釘 SNAP RIVET

5-28-2

- MATERIAL: NYLON 66(UL)
- FLAME CLASS: 94V-2
- COLOR: BLACK



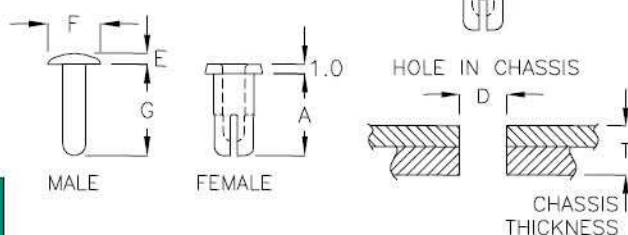
| PART NO | A    | C   | D<br>HOLE IN<br>CHASSIS | F    | G    | T<br>CHASSIS<br>THICKNESS | PACKAGE |
|---------|------|-----|-------------------------|------|------|---------------------------|---------|
| SR-3DM  | 8.6  | 0.8 | ∅3.5                    | ∅4.5 | 9.65 | 5.5~6.5                   | 2000    |
| SR-4LM  | 11.3 | 0.9 | ∅4.5                    | ∅5.8 | 13.4 | 8.0~9.0                   |         |



### 尼龍鉚釘 SNAP RIVET

5-28-3

- MATERIAL: NYLON 66(UL)
- FLAME CLASS: 94V-2
- COLOR: BLACK



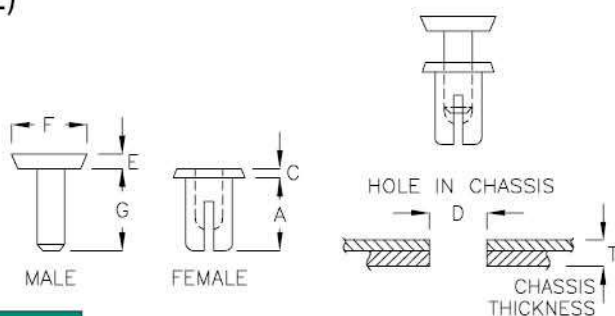
| PART NO | A   | D<br>HOLE IN<br>CHASSIS | E   | F    | G    | T<br>CHASSIS<br>THICKNESS | PACKAGE |
|---------|-----|-------------------------|-----|------|------|---------------------------|---------|
| SR-4DR  | 9.0 | ∅4.5                    | 1.2 | ∅5.8 | 10.5 | 5.2~6.0                   | 2000    |



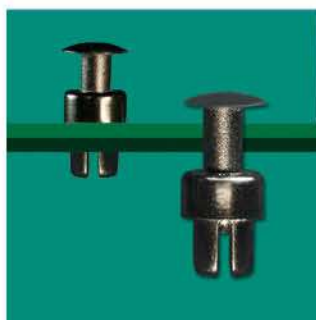
### 尼龍鉚釘 SNAP RIVET

5-29-1

- MATERIAL: NYLON 66(UL)
- FLAME CLASS: 94V-2
- COLOR: BLACK



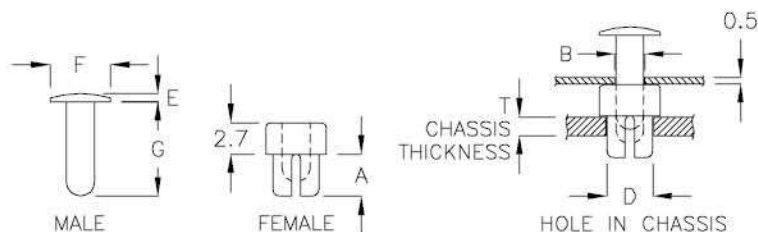
| PART NO | A    | C   | D<br>HOLE IN<br>CHASSIS | E    | F     | G    | T<br>CHASSIS<br>THICKNESS | PACKAGE |
|---------|------|-----|-------------------------|------|-------|------|---------------------------|---------|
| SR-3XK  | 7.5  | 0.8 | ∅3.0                    | 1.3  | ∅5.5  | 8.3  | 3.5~4.6                   | 2000    |
| SR-3T   | 7.5  | 0.8 | ∅3.0                    | 1.25 | ∅6.9  | 9.4  | 3.5~4.6                   |         |
| SR-3TW  | 11.7 | 1.0 | ∅3.1                    | 1.2  | ∅5.5  | 12.7 | 8.7~9.7                   |         |
| SR-4T   | 8.0  | 1.0 | ∅4.0                    | 1.3  | ∅7.0  | 11.0 | 3.7~5.2                   |         |
| SR-4YT  | 8.3  | 1.0 | ∅4.3                    | 1.7  | ∅5.5  | 11.3 | 4.0~6.0                   |         |
| SR-4K   | 8.3  | 1.0 | ∅4.3                    | 1.5  | ∅7.9  | 11.4 | 4.0~6.0                   |         |
| SR-4LQ  | 10.5 | 0.9 | ∅4.5                    | 1.25 | ∅5.85 | 12.3 | 6.0~7.2                   |         |



### 尼龍鉚釘 SNAP RIVET

5-29-2

- MATERIAL: NYLON 66(UL)
- FLAME CLASS: 94V-2
- COLOR: BLACK



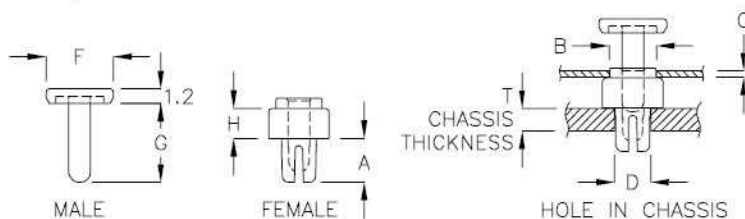
| PART NO | A   | B<br>HOLE IN<br>CHASSIS | D<br>HOLE IN<br>CHASSIS | E   | F    | G   | T<br>CHASSIS<br>THICKNESS | PACKAGE |
|---------|-----|-------------------------|-------------------------|-----|------|-----|---------------------------|---------|
| SR-4FH  | 3.6 | ∅2.6                    | ∅4.0                    | 0.7 | ∅5.2 | 7.9 | 1.6                       | 2000    |



### 尼龍鉚釘 SNAP RIVET

5-29-3

- MATERIAL: NYLON 66(UL)
- FLAME CLASS: 94V-0, 94V-2
- COLOR: BLACK



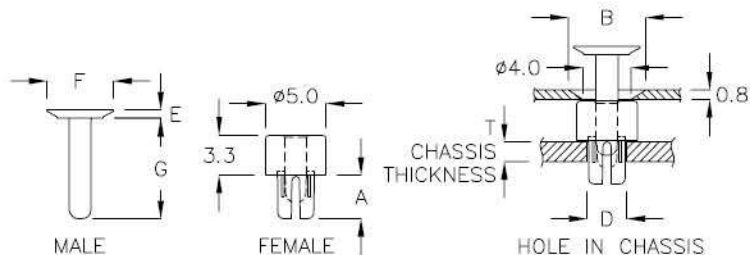
| PART NO  | A   | B<br>HOLE IN<br>CHASSIS | C<br>CHASSIS<br>THICKNESS | D<br>HOLE IN<br>CHASSIS | F    | G    | H   | T<br>CHASSIS<br>THICKNESS | PACKAGE |
|----------|-----|-------------------------|---------------------------|-------------------------|------|------|-----|---------------------------|---------|
| SRMR-2H  | 3.6 | ∅3.0                    | 0.25                      | ∅2.0                    | ∅4.6 | 6.4  | 2.5 | 1.6                       | 2000    |
| SRMR-2CF | 3.0 | ∅3.0                    | 0.6~0.8                   | ∅2.0                    | ∅4.6 | 6.4  | 2.5 | 1.6                       |         |
| SRMR-3D  | 3.6 | ∅4.0                    | 0.4                       | ∅3.0                    | ∅5.6 | 6.5  | 2.5 | 1.6                       |         |
| SRMR-3SC | 3.6 | ∅4.0                    | 1.6                       | ∅3.0                    | ∅5.6 | 10.2 | 5.0 | 1.6                       |         |



### 尼龍鉚釘 SNAP RIVET

5-30-1

- MATERIAL: NYLON 66(UL)
- FLAME CLASS: 94V-2
- COLOR: BLACK



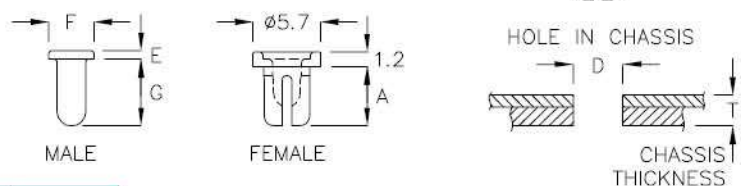
| PART NO | A   | B<br>HOLE IN CHASSIS | D<br>HOLE IN CHASSIS | E   | F    | G   | T<br>CHASSIS THICKNESS | PACKAGE |
|---------|-----|----------------------|----------------------|-----|------|-----|------------------------|---------|
| SRMT-3C | 3.6 | ∅6.4                 | ∅3.18                | 0.7 | ∅5.5 | 8.3 | 1.6                    | 2000    |



### 尼龍鉚釘 SNAP RIVET

5-30-2

- MATERIAL: NYLON 66(UL)
- FLAME CLASS: 94V-2
- COLOR: BLACK



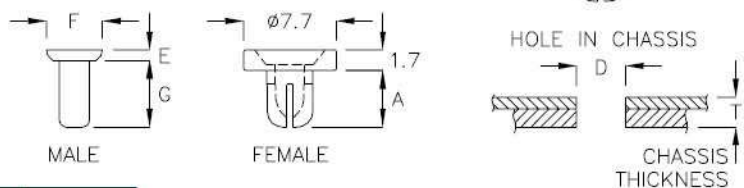
| PART NO | A   | D<br>HOLE IN CHASSIS | E   | F    | G   | T<br>CHASSIS THICKNESS | PACKAGE |
|---------|-----|----------------------|-----|------|-----|------------------------|---------|
| SRMF-4C | 5.0 | ∅4.0                 | 0.7 | ∅3.8 | 5.6 | 2.6                    | 2000    |



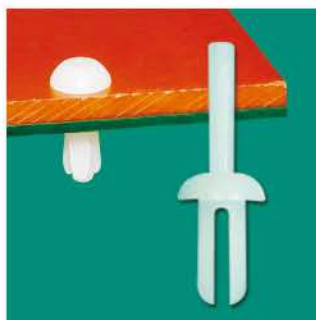
### 尼龍鉚釘 SNAP RIVET

5-30-3

- MATERIAL: NYLON 66(UL)
- FLAME CLASS: 94V-2
- COLOR: BLACK



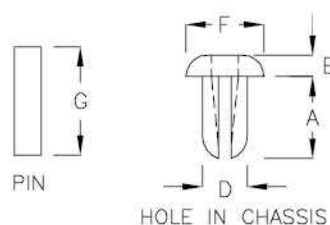
| PART NO | A   | D<br>HOLE IN CHASSIS | E   | F     | G   | T<br>CHASSIS THICKNESS | PACKAGE |
|---------|-----|----------------------|-----|-------|-----|------------------------|---------|
| SR-4XT  | 4.7 | ∅4.0                 | 0.9 | ∅4.65 | 5.5 | 1.8~2.5                | 2000    |



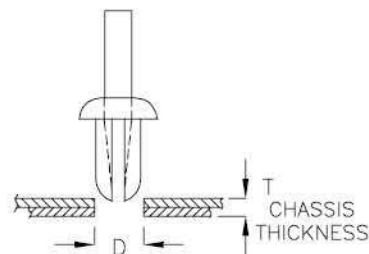
### 尼龍鉚釘 SNAP RIVET

5-31-1

- MATERIAL: NYLON 66(UL)
- FLAME CLASS: 94V-2
- COLOR: NATURAL



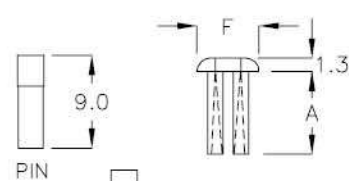
| PART NO | A    | D<br>HOLE IN<br>CHASSIS | E    | F     | G    | T<br>CHASSIS<br>THICKNESS | PACKAGE |
|---------|------|-------------------------|------|-------|------|---------------------------|---------|
| MAA-3C  | 5.8  | φ3.2                    | 1.5  | φ5.55 | 7.7  | 2.5~3.0                   | 2000    |
| MAA-4C  | 13.7 | φ4.7                    | 2.75 | φ8.15 | 16.0 | 8.4~9.0                   |         |



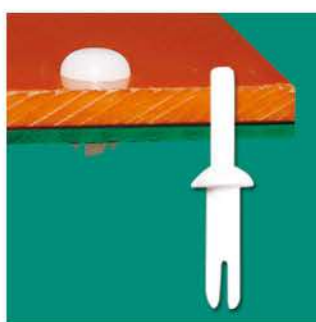
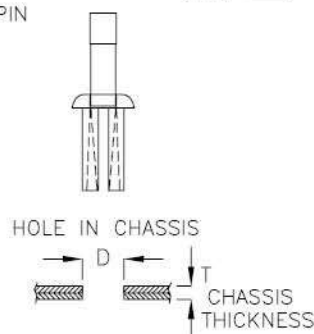
### 尼龍鉚釘 SNAP RIVET

5-31-2

- MATERIAL: NYLON 66(UL)
- FLAME CLASS: 94V-2
- COLOR: NATURAL



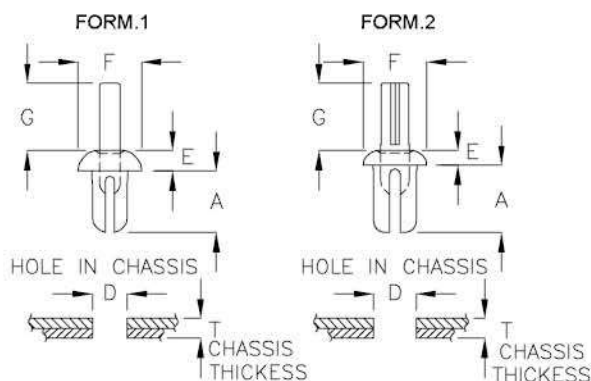
| PART NO | A   | D<br>HOLE IN<br>CHASSIS | F    | T<br>CHASSIS<br>THICKNESS | PACKAGE |
|---------|-----|-------------------------|------|---------------------------|---------|
| MAB-3A  | 8.0 | φ4.0                    | φ6.0 | 0.8~1.2                   | 2000    |



### 鉚釘 SNAP RIVET

5-31-3

- MATERIAL: POM
- COLOR: NATURAL



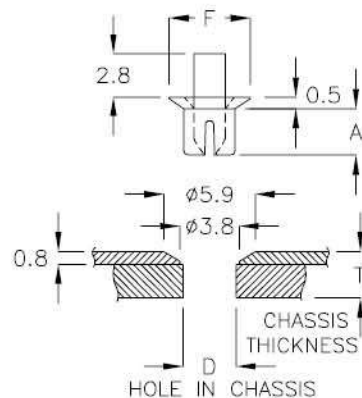
| PART NO | A    | D<br>HOLE IN<br>CHASSIS | E   | F    | G   | T<br>CHASSIS<br>THICKNESS | FORM | PACKAGE |
|---------|------|-------------------------|-----|------|-----|---------------------------|------|---------|
| SRX-3DF | 7.0  | φ3.0                    | 2.0 | φ5.6 | 8.8 | 2.0~3.0                   | 1    | 2000    |
| SRX-3A  | 7.05 | φ3.6                    | 2.0 | φ6.2 | 8.8 | 2.0~5.0                   | 1    |         |
| SRX-4P  | 7.0  | φ4.0                    | 2.0 | φ6.6 | 8.8 | 2.0~5.0                   | 1    |         |
| SRX-5M  | 7.1  | φ5.0                    | 2.0 | φ7.6 | 8.8 | 2.0~5.0                   | 2    |         |
| SRX-6K  | 7.1  | φ6.0                    | 2.0 | φ8.6 | 8.8 | 2.0~5.0                   | 2    |         |



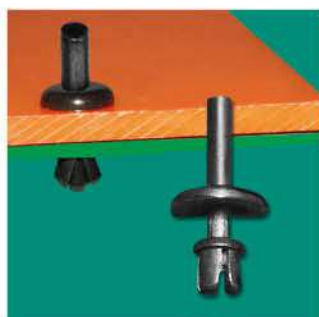
### 鉚釘 SNAP RIVET

5-32-1

- MATERIAL: NYLON 66(UL)
- FLAME CLASS: 94V-2
- COLOR: BLACK



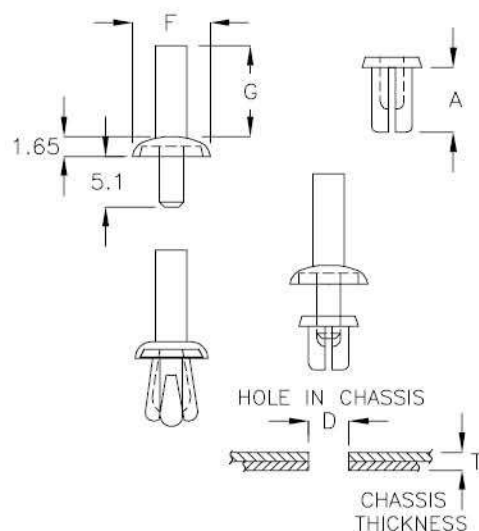
| PART NO | A   | D<br>HOLE IN<br>CHASSIS | F    | T<br>CHASSIS<br>THICKNESS | PACKAGE |
|---------|-----|-------------------------|------|---------------------------|---------|
| SRXD-3A | 3.0 | ∅3.4                    | ∅5.2 | 2.95                      | 2000    |



### 尼龍鉚釘 SNAP RIVET

5-32-2

- MATERIAL: NYLON 66(UL)
- FLAME CLASS: 94V-2
- COLOR: BLACK



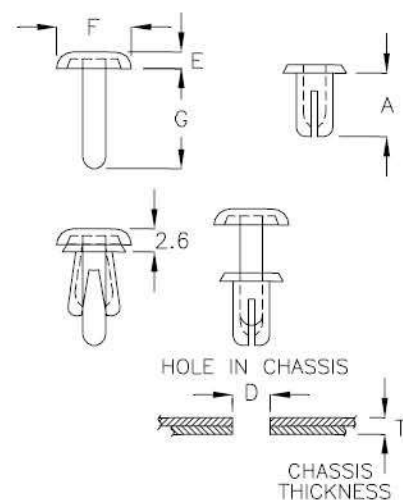
| PART NO | A   | D<br>HOLE IN<br>CHASSIS | F    | G    | T<br>CHASSIS<br>THICKNESS | PACKAGE |
|---------|-----|-------------------------|------|------|---------------------------|---------|
| SR-3FK  | 3.5 | ∅3.5                    | ∅8.0 | 10.0 | 1.0~1.5                   | 2000    |



### 尼龍鉚釘 SNAP RIVET

5-32-3

- MATERIAL: NYLON 66(UL)
- FLAME CLASS: 94V-2
- COLOR: BLACK



| PART NO | A   | D<br>HOLE IN<br>CHASSIS | E   | F    | G    | T<br>CHASSIS<br>THICKNESS | PACKAGE |
|---------|-----|-------------------------|-----|------|------|---------------------------|---------|
| SR-4RK  | 7.0 | ∅4.0                    | 1.8 | ∅8.2 | 11.0 | 4.5~5.4                   | 2000    |

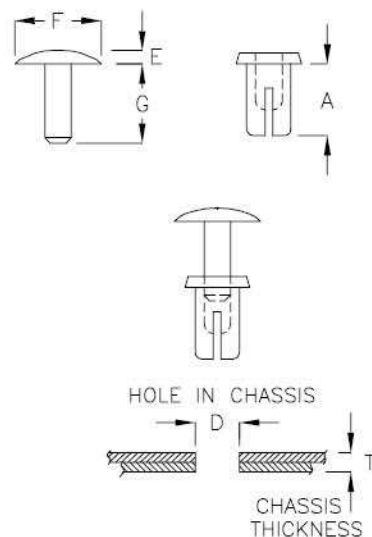




### 尼龍鉚釘 SNAP RIVET

5-33-1

- MATERIAL: NYLON 66(UL)
- FLAME CLASS: 94V-2
- COLOR: BLACK



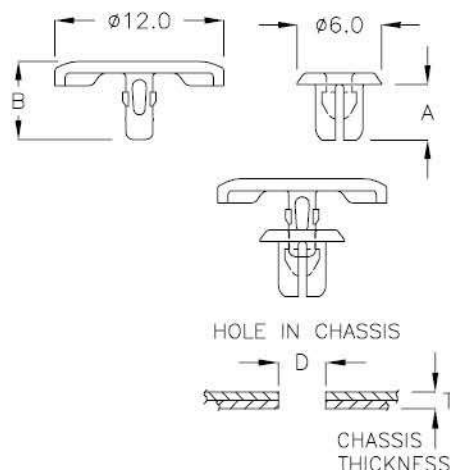
| PART NO | A    | D<br>HOLE IN<br>CHASSIS | E    | F    | G     | T<br>CHASSIS<br>THICKNESS | PACKAGE |
|---------|------|-------------------------|------|------|-------|---------------------------|---------|
| SR-04C  | 8.0  | ∅4.2                    | 0.75 | ∅7.0 | 10.75 | 3.8~5.6                   | 2000    |
| SR-4CK  | 8.0  | ∅4.05                   | 1.0  | ∅7.0 | 11.0  | 2.4~5.9                   |         |
| SR-4LC  | 12.4 | ∅4.0                    | 0.9  | ∅5.4 | 14.7  | 7.5~8.5                   |         |



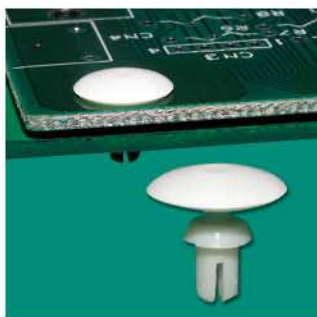
### 尼龍鉚釘 SNAP RIVET

5-33-2

- MALE MATERIAL: PC(UL)
- FLAME CLASS: 94V-0
- COLOR: WHITE
- FEMALE MATERIAL: NYLON 66(UL)
- FLAME CLASS: 94V-0
- COLOR: NATURAL



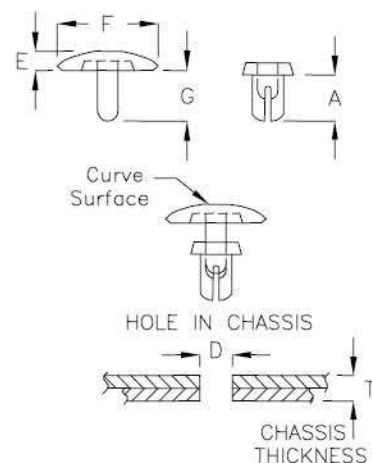
| PART NO  | A   | B   | D<br>HOLE IN<br>CHASSIS | T<br>CHASSIS<br>THICKNESS | PACKAGE |
|----------|-----|-----|-------------------------|---------------------------|---------|
| SRMQ-3BW | 4.0 | 5.6 | ∅3.5                    | 1.9~2.3                   | 1000    |



### 鉚釘 SNAP RIVET

5-33-3

- SR-3SP MALE COLOR: WHITE
- SR-3SP FEMALE COLOR: NATURAL
- SR-3PF COLOR: BLACK



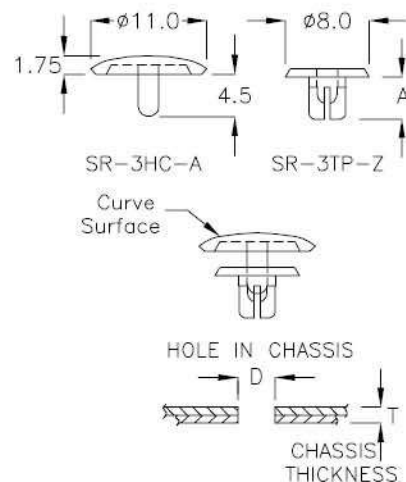
| PART NO | MATERIAL      | A    | D<br>HOLE IN<br>CHASSIS | E    | F    | G   | T<br>CHASSIS<br>THICKNESS | PACKAGE |
|---------|---------------|------|-------------------------|------|------|-----|---------------------------|---------|
| SR-3SP  | MALE PC V0    | 4.3  | ∅3.0                    | 1.75 | ∅9.4 | 4.7 | 1.2~2.0                   | 2000    |
|         | FEMALE N66 V0 |      |                         |      |      |     |                           |         |
| SR-3PF  | N66 V2        | 3.65 | ∅3.2                    | 1.6  | ∅8.5 | 5.0 | 1.5~1.8                   |         |



### 尼龍鉚釘 SNAP RIVET

5-34-1

- MALE MATERIAL: PC(UL)
- FLAME CLASS: 94V-0
- COLOR: WHITE
- FEMALE MATERIAL: NYLON 66(UL)
- FLAME CLASS: 94V-0
- COLOR: NATURAL



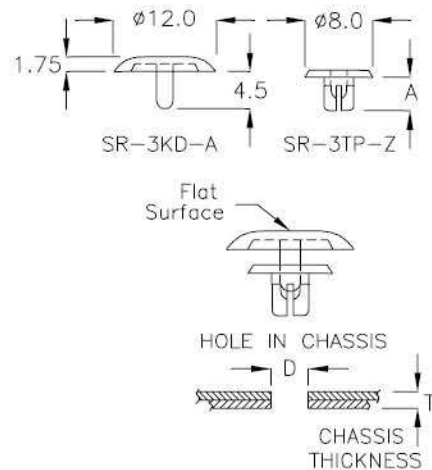
| PART NO  | A   | D<br>HOLE IN<br>CHASSIS | T<br>CHASSIS<br>THICKNESS | PACKAGE |
|----------|-----|-------------------------|---------------------------|---------|
| SR-3HC-A | 4.0 | ø3.5                    | 1.9~2.3                   | 2000    |
| SR-3TP-Z |     |                         |                           |         |



### 尼龍鉚釘 SNAP RIVET

5-34-2

- MALE MATERIAL: PC(UL)
- FLAME CLASS: 94V-0
- COLOR: WHITE
- FEMALE MATERIAL: NYLON 66(UL)
- FLAME CLASS: 94V-0
- COLOR: NATURAL



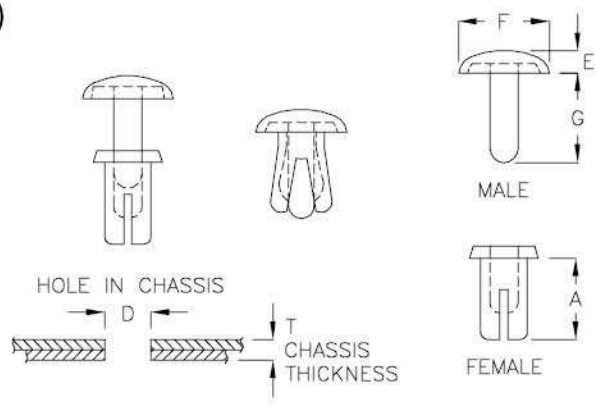
| PART NO  | A   | D<br>HOLE IN<br>CHASSIS | T<br>CHASSIS<br>THICKNESS | PACKAGE |
|----------|-----|-------------------------|---------------------------|---------|
| SR-3KD-A | 4.0 | ø3.5                    | 1.9~2.3                   | 2000    |
| SR-3TP-Z |     |                         |                           |         |



尼龍鉚釘 SNAP RIVET

5-35-1

- MATERIAL: NYLON 66(UL)
- MATERIAL: NYLON 46(UL)
- FLAME CLASS: 94V-2
- COLOR: BLACK



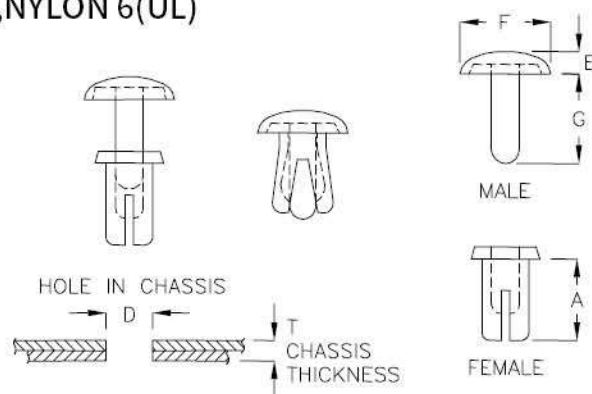
| PART NO | A    | D<br>HOLE IN<br>CHASSIS | T<br>CHASSIS<br>THICKNESS | E    | F    | G    | MATERIAL | PACKAGE |
|---------|------|-------------------------|---------------------------|------|------|------|----------|---------|
| SR-1FM  | 3.5  | ∅1.5                    | 2.0~2.5                   | 1.2  | ∅4.0 | 3.3  | N66      | 2000    |
| SR-2CW  | 3.3  | ∅1.9                    | 1.6~2.0                   | 1.2  | ∅4.3 | 3.6  |          |         |
| SR-2XC  | 3.25 | ∅2.0                    | 1.0~1.7                   | 1.2  | ∅4.3 | 4.2  |          |         |
| SR-2    | 3.3  | ∅2.0                    | 1.0~1.7                   | 1.2  | ∅4.3 | 4.2  |          |         |
| SR-2AF  | 3.6  | ∅2.0                    | 1.5~2.0                   | 1.2  | ∅4.3 | 3.6  |          |         |
| SR-2BT  | 4.0  | ∅2.0                    | 1.8~2.5                   | 1.2  | ∅4.3 | 4.5  |          |         |
| SR-2DS  | 4.5  | ∅2.0                    | 2.2~3.0                   | 1.2  | ∅4.3 | 5.0  |          |         |
| SR-2FR  | 5.5  | ∅2.0                    | 2.5~3.5                   | 1.2  | ∅4.3 | 5.8  |          |         |
| SR-2K   | 6.1  | ∅2.0                    | 3.5~4.5                   | 1.2  | ∅4.3 | 6.2  |          |         |
| SR-2F   | 2.8  | ∅2.1                    | 0.6~1.2                   | 1.2  | ∅4.3 | 3.6  |          |         |
| SR-2H   | 4.4  | ∅2.1                    | 1.7~2.8                   | 1.2  | ∅4.3 | 5.2  |          |         |
| SR-2J   | 5.2  | ∅2.1                    | 2.8~3.6                   | 1.2  | ∅4.3 | 6.5  |          |         |
| SR-2RC  | 4.7  | ∅2.2                    | 2.8~3.3                   | 1.2  | ∅4.3 | 5.5  |          |         |
| SR-2GQ  | 3.5  | ∅2.5                    | 0.5~1.0                   | 1.5  | ∅5.0 | 3.5  |          |         |
| SR-2HY  | 4.0  | ∅2.5                    | 0.8~1.6                   | 1.5  | ∅5.0 | 4.3  |          |         |
| SR-2.5S | 4.5  | ∅2.5                    | 0.8~2.5                   | 1.5  | ∅5.0 | 4.5  |          |         |
| SR-2JB  | 5.0  | ∅2.5                    | 2.0~3.0                   | 1.5  | ∅5.0 | 5.5  |          |         |
| SR-2KY  | 5.5  | ∅2.5                    | 2.5~3.5                   | 1.5  | ∅5.0 | 6.0  |          |         |
| SR-2NT  | 6.0  | ∅2.5                    | 3.0~4.0                   | 1.5  | ∅5.0 | 6.5  |          |         |
| SR-2CF  | 4.2  | ∅2.6                    | 2.0~3.0                   | 1.45 | ∅5.0 | 4.75 |          |         |
| SR-2.5  | 4.4  | ∅2.6                    | 2.0~2.8                   | 1.5  | ∅5.0 | 4.5  |          |         |
| SR-2PD  | 4.8  | ∅2.6                    | 2.5~3.4                   | 1.4  | ∅5.0 | 4.85 |          |         |
| SR-2.7F | 3.6  | ∅2.7                    | 1.0~2.0                   | 1.5  | ∅5.0 | 4.0  |          |         |
| SR-2.7H | 5.2  | ∅2.7                    | 2.7~3.6                   | 1.5  | ∅5.0 | 5.6  |          |         |
| SR-2.7J | 5.9  | ∅2.7                    | 3.4~4.3                   | 1.5  | ∅5.0 | 6.3  |          |         |
| SR-3AQ  | 3.5  | ∅3.0                    | 0.8~1.5                   | 1.65 | ∅6.2 | 3.8  |          |         |
| SR-3YK  | 3.65 | ∅3.0                    | 1.0~2.0                   | 1.65 | ∅6.2 | 5.0  |          |         |
| SR-3S   | 3.9  | ∅3.05                   | 1.2~2.2                   | 1.8  | ∅6.4 | 5.5  |          |         |
| SR-3GC  | 4.5  | ∅3.0                    | 1.0~2.0                   | 1.8  | ∅6.0 | 5.5  |          |         |
| SR-3HG  | 4.5  | ∅3.0                    | 2.0~3.0                   | 1.6  | ∅6.4 | 6.1  |          |         |
| SR-3TY  | 4.5  | ∅3.0                    | 2.0~3.0                   | 1.65 | ∅6.2 | 6.25 |          |         |
| SR-3MK  | 5.5  | ∅3.0                    | 2.0~3.0                   | 1.6  | ∅6.3 | 7.05 |          |         |
| SR-3MC  | 5.5  | ∅3.0                    | 2.5~3.3                   | 1.6  | ∅6.3 | 6.2  |          |         |
| SR-3JW  | 5.6  | ∅3.0                    | 3.0~4.0                   | 1.55 | ∅6.2 | 6.2  |          |         |
| SR-3M   | 5.7  | ∅3.0                    | 2.2~3.5                   | 1.8  | ∅6.4 | 5.9  |          |         |
| SR-3Q   | 5.8  | ∅3.0                    | 1.6~3.3                   | 2.0  | ∅6.4 | 6.5  |          |         |



### 尼龍鉚釘 SNAP RIVET

5-36-1

- MATERIAL: NYLON 66(UL)
- MATERIAL: NYLON 46(UL), NYLON 6(UL)
- FLAME CLASS: 94V-2
- COLOR: BLACK



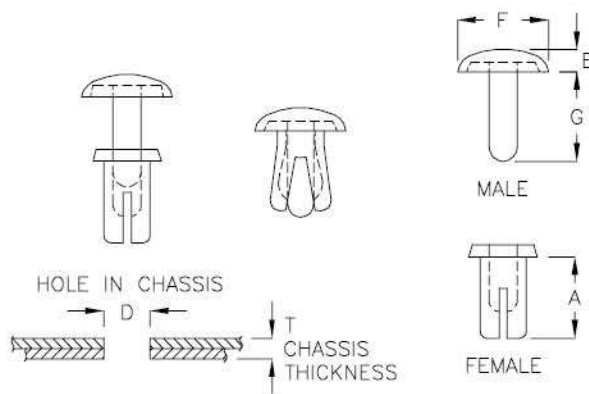
| PART NO | A    | D<br>HOLE IN<br>CHASSIS | T<br>CHASSIS<br>THICKNESS | E    | F     | G    | MATERIAL  | PACKAGE |
|---------|------|-------------------------|---------------------------|------|-------|------|-----------|---------|
| SR-3LK  | 5.8  | ø3.0                    | 3.5~4.0                   | 1.7  | ø5.86 | 6.1  | N66       | 2000    |
| SR-3L   | 6.15 | ø3.0                    | 1.5~3.5                   | 2.0  | ø6.4  | 6.4  |           |         |
| SR-3XL  | 6.5  | ø3.05                   | 4.0~5.0                   | 1.7  | ø6.3  | 7.5  |           |         |
| SR-3BR  | 7.0  | ø3.0                    | 4.5~5.5                   | 1.7  | ø6.2  | 7.5  |           |         |
| SR-3B   | 7.5  | ø3.0                    | 3.5~4.6                   | 1.7  | ø6.2  | 8.5  |           |         |
| SR-3C   | 8.0  | ø3.0                    | 3.5~5.5                   | 1.6  | ø6.2  | 9.1  |           |         |
| SR-3V   | 8.3  | ø3.0                    | 5.0~6.3                   | 1.6  | ø6.2  | 8.6  |           |         |
| SR-3LC  | 9.3  | ø3.0                    | 6.3~7.3                   | 1.6  | ø6.2  | 9.6  |           |         |
| SR-3MP  | 10.3 | ø3.0                    | 7.3~8.3                   | 1.6  | ø6.2  | 10.6 |           |         |
| SR-3MQ  | 11.3 | ø3.0                    | 8.3~9.3                   | 1.6  | ø6.2  | 11.6 |           |         |
| SR-3LQ  | 12.3 | ø3.0                    | 9.3~10.3                  | 1.6  | ø6.2  | 12.6 | N66       |         |
| SR-3QF  | 13.3 | ø3.0                    | 10.3~11.3                 | 1.6  | ø6.2  | 13.6 | N66 or N6 |         |
| SR-3NR  | 4.5  | ø3.1                    | 2.0~3.0                   | 1.6  | ø6.4  | 6.1  | N6        |         |
| SR-3FY  | 4.5  | ø3.1                    | 2.0~3.0                   | 1.6  | ø6.4  | 6.1  |           |         |
| SR-3WG  | 5.5  | ø3.1                    | 3.0~4.0                   | 1.6  | ø6.4  | 6.2  | N66       |         |
| SR-03K  | 10.5 | ø3.1                    | 8.0~8.5                   | 1.2  | ø5.9  | 11.6 |           |         |
| SR-03D  | 15.6 | ø3.1                    | 11.5~12.8                 | 1.7  | ø6.3  | 15.9 |           |         |
| SR-03U  | 4.5  | ø3.2                    | 1.5~3.0                   | 1.8  | ø6.2  | 5.7  |           |         |
| SR-3W   | 13.0 | ø3.3                    | 9.0~10.5                  | 1.7  | ø5.3  | 13.3 |           |         |
| SR-3CL  | 4.5  | ø3.5                    | 2.0~2.5                   | 1.6  | ø6.4  | 6.1  |           |         |
| SR-3    | 5.7  | ø3.5                    | 2.5~4.0                   | 1.8  | ø6.7  | 6.6  |           |         |
| SR-3DX  | 6.0  | ø3.5                    | 3.5~4.5                   | 1.6  | ø6.2  | 6.5  |           |         |
| SR-3FL  | 6.5  | ø3.5                    | 4.5~5.5                   | 1.6  | ø6.2  | 7.0  |           |         |
| SR-3GR  | 7.0  | ø3.5                    | 4.5~5.5                   | 1.6  | ø6.2  | 7.5  |           |         |
| SR-3HA  | 7.5  | ø3.5                    | 5.0~6.0                   | 1.6  | ø6.2  | 8.0  |           |         |
| SR-3NB  | 8.0  | ø3.5                    | 5.5~6.5                   | 1.6  | ø6.2  | 8.5  |           |         |
| SR-3SD  | 8.5  | ø3.5                    | 5.2~6.3                   | 1.8  | ø6.7  | 9.9  |           |         |
| SR-3AC  | 8.6  | ø3.5                    | 5.5~6.5                   | 1.6  | ø6.2  | 8.9  |           |         |
| SR-3MF  | 9.6  | ø3.5                    | 6.5~7.5                   | 1.6  | ø6.2  | 9.9  |           |         |
| SR-3CK  | 4.5  | ø3.6                    | 2.0~2.8                   | 1.6  | ø6.4  | 5.0  |           |         |
| SR-3CF  | 4.7  | ø3.6                    | 2.0~2.8                   | 1.6  | ø6.4  | 5.0  |           |         |
| SR-3DR  | 5.1  | ø3.6                    | 2.7~3.6                   | 1.65 | ø6.3  | 6.25 |           | N6      |
| SR-3DK  | 7.0  | ø3.6                    | 4.3~5.3                   | 1.6  | ø6.4  | 7.5  | N66       |         |
| SR-3WJ  | 9.3  | ø3.8                    | 5.0~6.5                   | 1.7  | ø6.7  | 11.3 |           |         |
| SR-3KF  | 6.0  | ø3.6                    | 3.7~4.6                   | 1.6  | ø6.4  | 7.1  | N6        |         |



尼龍鉚釘 SNAP RIVET

5-37-1

- MATERIAL: NYLON 66(UL)
- MATERIAL: NYLON 46(UL)
- FLAME CLASS: 94V-2
- COLOR: BLACK



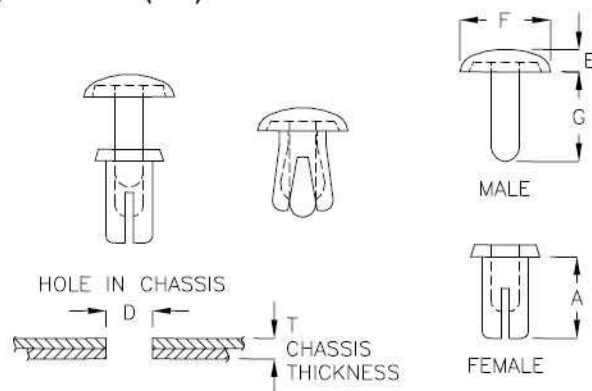
| PART NO | A    | D<br>HOLE IN<br>CHASSIS | T<br>CHASSIS<br>THICKNESS | E    | F    | G    | MATERIAL   | PACKAGE |            |
|---------|------|-------------------------|---------------------------|------|------|------|------------|---------|------------|
| SR-4GS  | 4.4  | ø4.0                    | 1.0~2.2                   | 2.1  | ø7.9 | 4.55 | N66        | 2000    |            |
| SR-4Q   | 5.0  | ø4.0                    | 1.1~3.1                   | 2.1  | ø7.9 | 6.0  |            |         |            |
| SR-4QR  | 5.3  | ø4.0                    | 3.0~3.5                   | 1.8  | ø7.0 | 5.35 |            |         |            |
| SR-4FM  | 5.5  | ø4.0                    | 2.2~2.8                   | 2.1  | ø7.9 | 6.0  | N66 or N46 |         |            |
| SR-4TF  | 5.0  | ø4.0                    | 2.5~3.5                   | 1.9  | ø7.8 | 6.2  | N66        |         |            |
| SR-4KC  | 6.0  | ø4.0                    | 2.5~3.5                   | 1.9  | ø7.7 | 7.0  |            |         |            |
| SR-4    | 6.2  | ø4.0                    | 2.0~4.5                   | 1.9  | ø7.9 | 7.3  |            |         |            |
| SR-4WA  | 6.2  | ø4.0                    | 2.7~4.0                   | 2.0  | ø7.9 | 6.5  | N66 or N46 |         |            |
| SR-4HP  | 6.2  | ø4.0                    | 3.5~4.0                   | 1.9  | ø7.7 | 7.2  | N66        |         |            |
| SR-4BR  | 6.5  | ø4.0                    | 3.2~3.8                   | 2.1  | ø7.9 | 6.8  |            |         |            |
| SR-04F  | 7.0  | ø4.0                    | 3.8~4.6                   | 2.0  | ø8.0 | 9.0  |            |         |            |
| SR-4RW  | 7.1  | ø4.0                    | 4.5~5.0                   | 2.0  | ø8.0 | 8.1  |            |         |            |
| SR-4LF  | 7.5  | ø4.0                    | 5.0~5.5                   | 1.9  | ø7.7 | 8.5  |            |         |            |
| SR-4N   | 7.8  | ø4.0                    | 5.4~6.0                   | 1.8  | ø8.1 | 8.8  |            |         |            |
| SR-4S   | 8.0  | ø4.0                    | 3.5~5.0                   | 1.7  | ø7.0 | 8.8  |            |         |            |
| SR-4CB  | 8.1  | ø4.0                    | 5.5~6.5                   | 2.0  | ø8.0 | 9.0  |            |         |            |
| SR-4YH  | 8.5  | ø4.0                    | 5.2~5.8                   | 2.1  | ø7.9 | 8.8  |            |         |            |
| SR-4PW  | 9.0  | ø4.0                    | 6.5~7.5                   | 2.0  | ø8.0 | 10.2 |            |         |            |
| SR-4M   | 9.7  | ø4.0                    | 6.0~7.0                   | 1.7  | ø7.0 | 11.1 |            |         |            |
| SR-4J   | 10.0 | ø4.0                    | 5.5~7.6                   | 1.8  | ø8.2 | 11.0 |            |         |            |
| SR-4QP  | 10.0 | ø4.0                    | 7.5~8.5                   | 2.0  | ø8.0 | 10.5 |            |         |            |
| SR-4FQ  | 11.4 | ø4.0                    | 8.5~9.5                   | 1.95 | ø8.0 | 11.9 |            |         | N66 or N46 |
| SR-4L   | 12.4 | ø4.0                    | 7.5~8.5                   | 1.7  | ø7.9 | 14.1 |            |         | N66        |
| SR-4XN  | 12.4 | ø4.0                    | 7.8~8.5                   | 1.7  | ø5.5 | 14.1 |            |         |            |
| SR-4MK  | 12.4 | ø4.0                    | 9.5~10.5                  | 1.95 | ø8.0 | 12.9 |            |         |            |
| SR-4QJ  | 13.4 | ø4.0                    | 10.5~11.5                 | 1.95 | ø8.0 | 13.9 |            |         |            |
| SR-04D  | 15.6 | ø4.0                    | 11.2~12.5                 | 1.7  | ø6.7 | 15.9 |            |         |            |
| SR-4PT  | 20.0 | ø4.0                    | 15.0~17.5                 | 1.9  | ø8.0 | 20.3 |            |         |            |



## 尼龍鉚釘 SNAP RIVET

5-38-1

- MATERIAL: NYLON 66(UL)
- MATERIAL: NYLON 46(UL), NYLON 6(UL)
- FLAME CLASS: 94V-2
- COLOR: BLACK



| PART NO | A    | D<br>HOLE IN<br>CHASSIS | T<br>CHASSIS<br>THICKNESS | E   | F     | G    | MATERIAL | PACKAGE |
|---------|------|-------------------------|---------------------------|-----|-------|------|----------|---------|
| SR-4PK  | 20.0 | ø4.0                    | 17.5~18.0                 | 1.7 | ø6.8  | 20.3 | N66      | 2000    |
| SR-4PH  | 21.0 | ø4.0                    | 18.0~18.5                 | 1.7 | ø6.8  | 21.3 |          |         |
| SR-4HK  | 5.1  | ø4.1                    | 2.0~3.2                   | 1.8 | ø8.15 | 6.3  |          |         |
| SR-4LK  | 6.1  | ø4.1                    | 3.5~4.2                   | 1.8 | ø8.15 | 7.1  |          |         |
| SR-4FK  | 7.0  | ø4.1                    | 4.5~5.4                   | 1.8 | ø8.0  | 7.5  |          |         |
| SR-4JK  | 8.9  | ø4.1                    | 5.6~6.6                   | 1.8 | ø8.1  | 10.9 |          |         |
| SR-4JM  | 9.9  | ø4.1                    | 7.5~8.3                   | 1.8 | ø8.1  | 10.9 |          |         |
| SR-4TQ  | 11.4 | ø4.1                    | 8.5~9.5                   | 2.0 | ø7.9  | 11.9 | N46      |         |
| SR-4KS  | 8.3  | ø4.3                    | 4.0~6.0                   | 1.7 | ø7.6  | 10.2 | N66      |         |
| SR-4KT  | 8.3  | ø4.3                    | 4.0~6.0                   | 1.7 | ø9.6  | 10.2 |          |         |
| SR-04I  | 10.5 | ø4.3                    | 7.1~8.1                   | 2.0 | ø7.9  | 12.5 |          |         |
| SR-4SF  | 12.3 | ø4.3                    | 8.0~9.0                   | 1.2 | ø5.9  | 13.8 |          |         |
| SR-4LT  | 10.2 | ø4.5                    | 5.0~6.0                   | 1.7 | ø7.9  | 12.1 |          |         |
| SR-4LA  | 12.3 | ø4.5                    | 7.8~9.0                   | 1.7 | ø7.9  | 14.1 |          |         |
| SR-5S   | 4.6  | ø5.0                    | 1.0~2.0                   | 2.1 | ø8.9  | 6.7  |          |         |
| SR-5YN  | 5.5  | ø5.0                    | 2.0~3.0                   | 2.2 | ø8.3  | 5.7  |          |         |
| SR-5TC  | 5.5  | ø5.0                    | 2.5~3.5                   | 2.2 | ø8.9  | 6.0  |          |         |
| SR-5    | 7.7  | ø5.0                    | 3.8~5.0                   | 2.2 | ø8.9  | 8.3  |          |         |
| SR-05F  | 4.7  | ø5.1                    | 1.5~2.5                   | 2.2 | ø9.0  | 5.5  |          |         |
| SR-05M  | 5.5  | ø5.1                    | 2.5~3.2                   | 2.2 | ø9.0  | 6.0  |          |         |
| SR-05D  | 6.5  | ø5.1                    | 3.5~4.3                   | 2.2 | ø9.0  | 7.0  |          |         |
| SR-05H  | 7.7  | ø5.1                    | 4.5~5.5                   | 2.2 | ø9.0  | 8.5  |          |         |
| SR-05J  | 8.7  | ø5.1                    | 5.5~6.5                   | 2.3 | ø9.1  | 9.5  |          |         |
| SR-05K  | 9.7  | ø5.1                    | 6.5~7.5                   | 2.3 | ø9.1  | 10.6 |          |         |
| SR-05L  | 10.7 | ø5.1                    | 7.5~8.5                   | 2.2 | ø9.0  | 11.5 |          |         |
| SR-6MD  | 6.2  | ø6.0                    | 2.5~4.0                   | 2.5 | ø12.0 | 8.9  | N66      | 1000    |
| SR-6NT  | 6.2  | ø6.1                    | 2.5~4.0                   | 2.5 | ø12.0 | 8.9  | N6       |         |
| SR-07C  | 11.2 | ø7.0                    | 8.0~9.0                   | 1.8 | ø12.0 | 12.0 | N66      | 2000    |

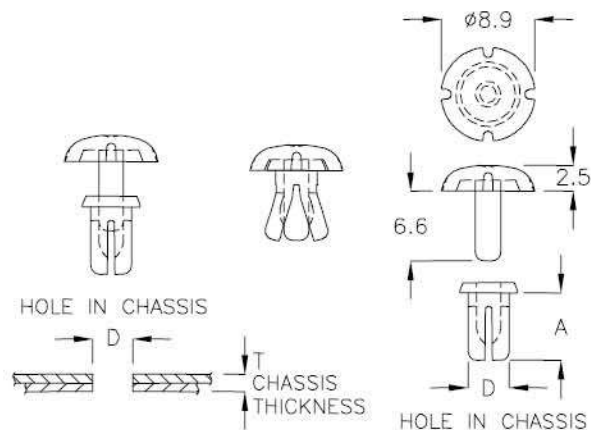


### 尼龍鉚釘 SNAP RIVET

5-39-1

- MATERIAL: NYLON 46(UL)
- FLAME CLASS: 94V-2
- COLOR: BLACK

| PART NO | A   | D<br>HOLE IN<br>CHASSIS | T<br>CHASSIS<br>THICKNESS | PACKAGE |
|---------|-----|-------------------------|---------------------------|---------|
| SR-4AH  | 6.4 | ø4.0                    | 3.5~4.5                   | 2000    |

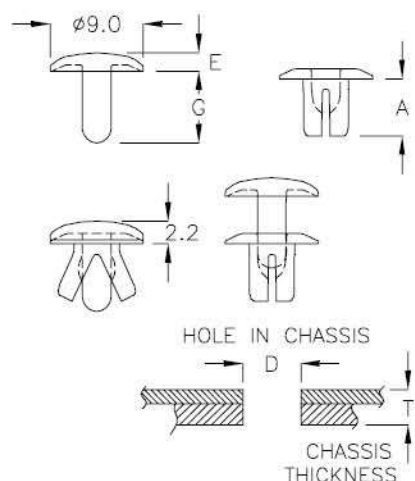


### 尼龍鉚釘 SNAP RIVET

5-39-2

- MATERIAL: NYLON 66(UL)
- FLAME CLASS: 94V-2
- COLOR: BLACK

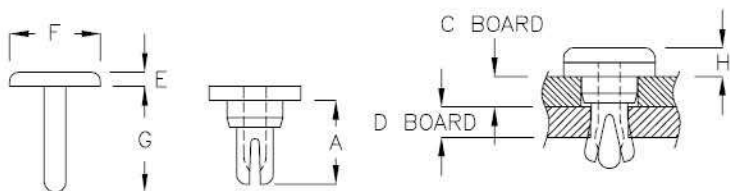
| PART NO | A   | D<br>HOLE IN<br>CHASSIS | E   | G   | T<br>CHASSIS<br>THICKNESS | PACKAGE |
|---------|-----|-------------------------|-----|-----|---------------------------|---------|
| SR-4ZT  | 5.5 | ø4.5                    | 1.8 | 6.9 | 1.5~3.0                   | 2000    |



### 尼龍鉚釘 SNAP RIVET

5-39-3

- MATERIAL: NYLON 66(UL)
- FLAME CLASS: 94V-2
- COLOR: BLACK



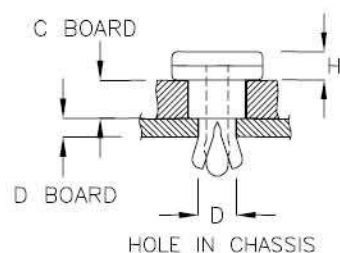
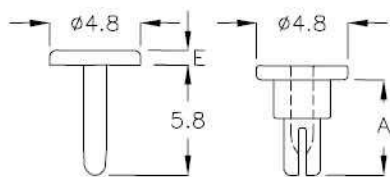
| PART NO | A   | C<br>BOARD<br>HOLE DIA | D<br>BOARD<br>HOLE DIA | C<br>BOARD<br>THICKNESS | D<br>BOARD<br>THICKNESS | E    | F    | G   | H   | PACKAGE |
|---------|-----|------------------------|------------------------|-------------------------|-------------------------|------|------|-----|-----|---------|
| SRFK-2H | 3.3 | ø2.4                   | ø1.8                   | 1.1                     | 1.0~1.2                 | 0.5  | ø3.5 | 4.3 | 1.0 | 2000    |
| SRFK-2D | 4.4 | ø3.0                   | ø2.0                   | 1.6                     | 0.8~1.6                 | 0.75 | ø4.8 | 5.6 | 1.5 |         |
| SRFK-2C | 5.4 | ø3.0                   | ø2.0                   | 2.6                     | 0.8~1.6                 | 0.75 | ø4.8 | 6.6 | 1.5 |         |
| SRFK-2F | 6.4 | ø3.0                   | ø2.0                   | 3.6                     | 0.8~1.6                 | 0.75 | ø4.8 | 7.6 | 1.5 |         |



### 尼龍鉚釘 SNAP RIVET

5-40-1

- MATERIAL: NYLON 66(UL)
- FLAME CLASS: 94V-2
- COLOR: NATURAL



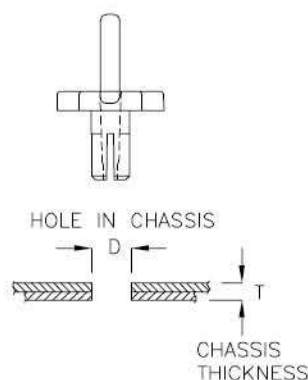
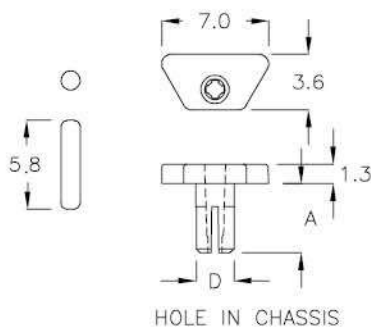
| PART NO  | A   | E    | H   | C BOARD HOLE DIA | D BOARD HOLE DIA | C BOARD THICKNESS | D BOARD THICKNESS | PACKAGE |
|----------|-----|------|-----|------------------|------------------|-------------------|-------------------|---------|
| SRFK-2RT | 5.0 | 0.75 | 1.5 | ∅3.0             | ∅2.0             | 2.1               | 0.8~1.6           | 2000    |



### 尼龍鉚釘 SNAP RIVET

5-40-2

- MATERIAL: NYLON 66(UL)
- FLAME CLASS: 94V-2
- COLOR: BLACK



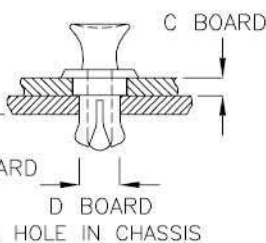
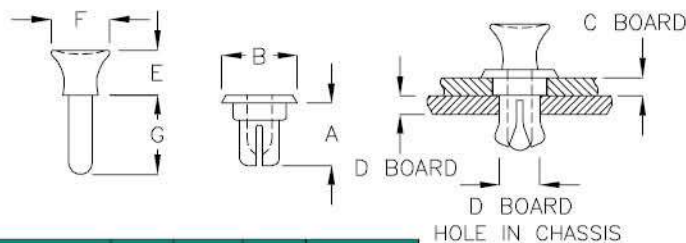
| PART NO | HOLE D | A   | T CHASSIS THICKNESS | PACKAGE |
|---------|--------|-----|---------------------|---------|
| STR-4C  | ∅2.6   | 4.5 | 3.0~3.1             | 2000    |



### 固定扣 NIFLATCH

5-40-3

- MATERIAL: NYLON 66(UL)
- FLAME CLASS: 94V-2
- COLOR: BLACK



| PART NO | A   | B    | C BOARD HOLE DIA | D BOARD HOLE DIA | C BOARD THICKNESS | D BOARD THICKNESS | E   | F    | G   | PACKAGE |
|---------|-----|------|------------------|------------------|-------------------|-------------------|-----|------|-----|---------|
| SRDW-2H | 3.3 | ∅4.8 | ∅2.4             | ∅1.8             | 1.1               | 1.0~1.2           | 3.0 | ∅4.0 | 4.3 | 2000    |
| SRDW-2D | 4.4 | ∅4.8 | ∅3.0             | ∅2.0             | 1.6               | 0.8~1.6           | 3.5 | ∅4.5 | 5.6 |         |
| SRDW-2C | 5.4 | ∅4.8 | ∅3.0             | ∅2.0             | 2.6               | 0.8~1.6           | 3.5 | ∅4.5 | 6.6 |         |
| SRDW-2F | 6.4 | ∅4.8 | ∅3.0             | ∅2.0             | 3.6               | 0.8~1.6           | 3.5 | ∅4.5 | 7.6 |         |
| SR-4KK  | 7.0 | ∅8.5 | ∅6.0             | ∅4.5             | 2.0               | 2.0               | 5.0 | ∅6.6 | 8.9 |         |

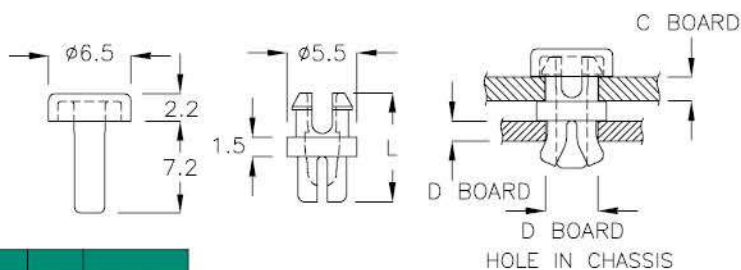




### 尼龍鉚釘 SNAP RIVET

5-41-1

- MATERIAL: NYLON 66(UL)
- FLAME CLASS: 94V-2
- COLOR: BLACK



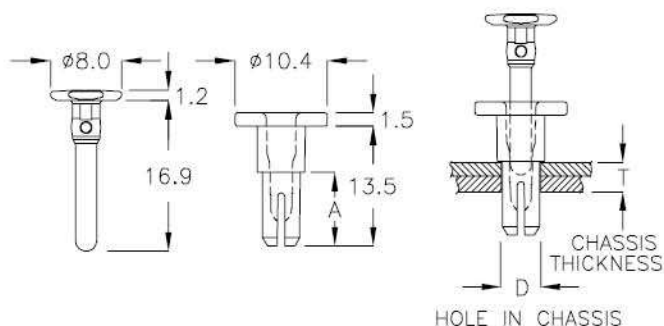
| PART NO | C BOARD HOLE DIA | D BOARD HOLE DIA | C BOARD THICKNESS | D BOARD THICKNESS | L   | PACKAGE |
|---------|------------------|------------------|-------------------|-------------------|-----|---------|
| SRQM-4C | ø4.2             | ø4.0             | 2.0               | 1.6               | 8.6 | 500     |



### 尼龍鉚釘 SNAP RIVET

5-41-2

- MATERIAL: NYLON 66(UL)
- FLAME CLASS: 94V-2
- COLOR: BLACK



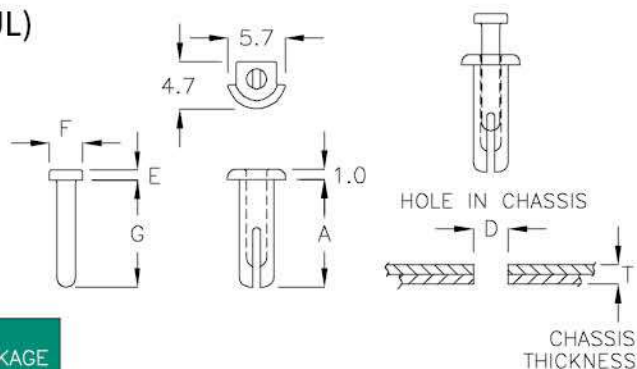
| PART NO | A   | D HOLE IN CHASSIS | T CHASSIS THICKNESS | PACKAGE |
|---------|-----|-------------------|---------------------|---------|
| SRMD-4Q | 8.3 | ø4.5              | 4.0                 | 2000    |



### 尼龍鉚釘 SNAP RIVET

5-41-3

- MATERIAL: NYLON 66(UL)
- FLAME CLASS: 94V-2
- COLOR: BLACK



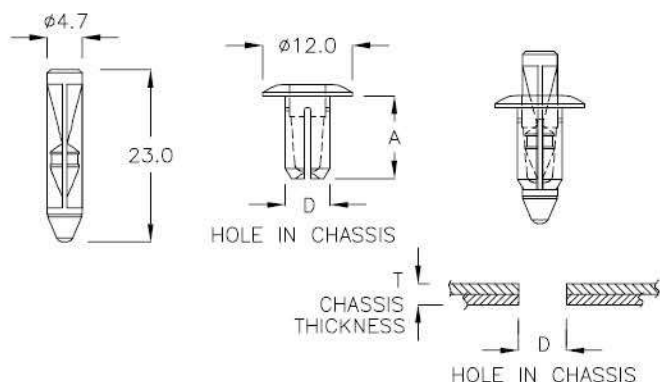
| PART NO | A    | D HOLE IN CHASSIS | E   | F    | G    | T CHASSIS THICKNESS | PACKAGE |
|---------|------|-------------------|-----|------|------|---------------------|---------|
| SRQ-3AH | 10.5 | ø3.5              | 1.0 | ø3.4 | 11.0 | 8.0                 | 2000    |
| SRQ-3PT | 12.0 | ø3.5              | 1.0 | ø3.4 | 13.0 | 8.0                 |         |



### 尼龍鉚釘 SNAP RIVET

5-42-1

- MATERIAL: NYLON 66(UL)
- FLAME CLASS: 94V-2
- COLOR: BLACK



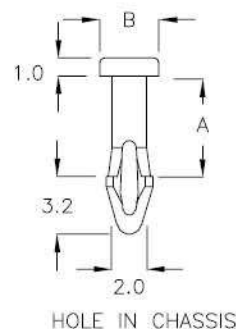
| PART NO | A    | D HOLE IN CHASSIS | T CHASSIS THICKNESS | PACKAGE |
|---------|------|-------------------|---------------------|---------|
| SR-12A  | 11.0 | ∅6.1              | 7.7~8.3             | 2000    |



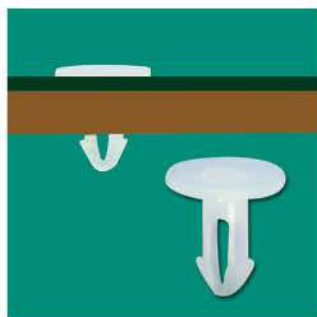
### 鉚釘 CANOE CLIP

5-42-2

- MATERIAL: NYLON 66(UL)
- FLAME CLASS: 94V-2
- COLOR: NATURAL



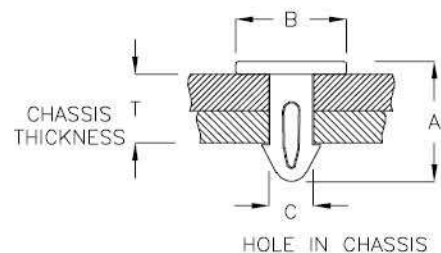
| PART NO | A   | B    | T CHASSIS THICKNESS | PACKAGE |
|---------|-----|------|---------------------|---------|
| MB-05F  | 5.6 | ∅3.3 | 5.4                 | 2000    |



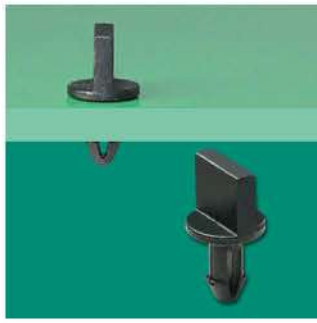
### 鉚釘 CANOE CLIP

5-42-3

- MATERIAL: NYLON 66(UL)
- FLAME CLASS: 94V-2
- COLOR: NATURAL



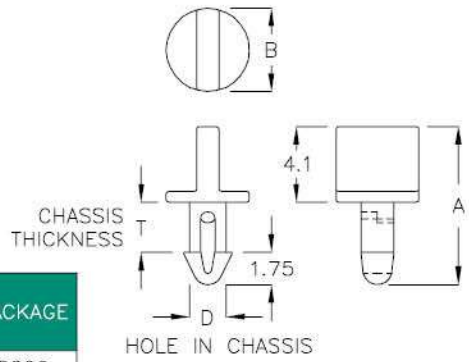
| PART NO | A    | B   | C    | T CHASSIS THICKNESS | PACKAGE |
|---------|------|-----|------|---------------------|---------|
| MBL-4HW | 5.05 | 5.2 | ∅2.1 | 2.5                 | 2000    |
| MBL-5FQ | 5.65 | 5.2 | ∅2.1 | 3.1                 |         |



鉚釘 CANOE CLIP

5-43-1

- MATERIAL: NYLON 66(UL)
- FLAME CLASS: 94V-0
- COLOR: BLACK



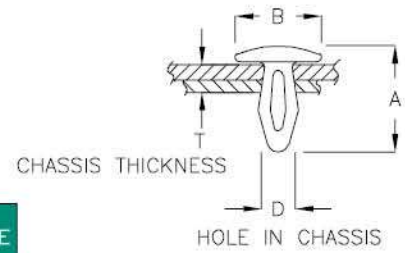
| PART NO | A    | B    | D HOLE IN CHASSIS | T CHASSIS THICKNESS | PACKAGE |
|---------|------|------|-------------------|---------------------|---------|
| MBL-4JC | 8.55 | ø4.5 | ø2.1              | 2.5                 | 2000    |



鉚釘 CANOE CLIP

5-43-2

- MATERIAL: NYLON 66(UL)
- FLAME CLASS: 94V-2
- COLOR: NATURAL



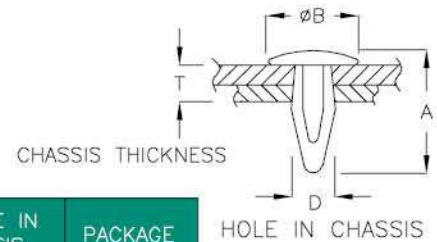
| PART NO | A    | B     | T CHASSIS THICKNESS | D HOLE IN CHASSIS | PACKAGE |
|---------|------|-------|---------------------|-------------------|---------|
| MB-01F  | 7.4  | ø4.8  | 2.4~2.7             | ø2.37             | 2000    |
| MB-04C  | 15.4 | ø9.0  | 4.3~4.8             | ø4.5              | 1000    |
| MB-05A  | 14.7 | ø12.0 | 0.7~1.2             | ø5.0              |         |
| MB-05D  | 15.3 | ø12.0 | 0.7~1.0             | ø5.0              |         |



鉚釘 CANOE CLIP

5-43-3

- MATERIAL: NYLON 66(UL)
- FLAME CLASS: 94V-2
- COLOR: NATURAL



| PART NO | A    | B     | T CHASSIS THICKNESS | D HOLE IN CHASSIS | PACKAGE |
|---------|------|-------|---------------------|-------------------|---------|
| MB-1    | 9.7  | ø7.4  | 2.0~3.5             | ø3.0~ø3.2         | 2000    |
| MB-1A   | 9.7  | ø6.8  | 1.1~1.7             | ø3.1~ø3.2         |         |
| MB-1C   | 6.2  | ø6.9  | 1.6~2.0             | ø2.95~ø3.0        |         |
| MB-1D   | 6.8  | ø7.0  | 1.6~1.9             | ø3.15~ø3.2        |         |
| MB-1S   | 7.2  | ø7.0  | 1.5~2.1             | ø3.1~ø3.2         |         |
| MB-01H  | 10.3 | ø7.7  | 3.0~3.2             | ø3.3~ø3.4         |         |
| MB-2    | 10.3 | ø7.9  | 3.5~4.0             | ø3.5~ø3.7         |         |
| MB-2S   | 10.3 | ø7.8  | 2.8~3.8             | ø3.2~ø3.4         |         |
| MB-3    | 12.4 | ø7.7  | 3.2~5.0             | ø3.7~ø3.8         |         |
| MB-3FC  | 7.5  | ø5.6  | 2.4~2.7             | ø2.95~3.05        |         |
| MB-3KA  | 7.5  | ø6.0  | 2.4~2.7             | ø3.45~3.55        |         |
| MB-4    | 12.9 | ø10.0 | 2.1~3.7             | ø3.9~ø4.05        |         |
| MB-04Q  | 9.0  | ø6.0  | 2.5~3.5             | ø3.8~ø4.0         |         |
| MB-5S   | 10.9 | ø10.0 | 1.6~2.1             | ø3.2~ø3.25        |         |
| MB-05C  | 13.2 | ø12.7 | 2.5~3.5             | ø4.0~ø4.05        |         |
| MB-11A  | 12.6 | ø9.5  | 2.5~4.0             | ø4.65~ø4.8        |         |
| MB-12   | 12.0 | ø7.4  | 1.6~2.1             | ø3.3~ø3.4         | 2000    |

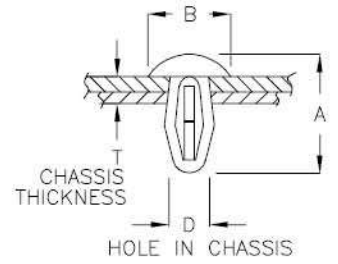


### 鉚釘 CANOE CLIP

5-44-1

- MATERIAL: NYLON 66(UL)
- FLAME CLASS: 94V-2
- COLOR: NATURAL

| PART NO | A   | B    | T CHASSIS THICKNESS | D HOLE IN CHASSIS | PACKAGE |
|---------|-----|------|---------------------|-------------------|---------|
| MB-2K   | 8.6 | ∅5.8 | 2.8~3.0             | ∅3.2~∅3.3         | 2000    |

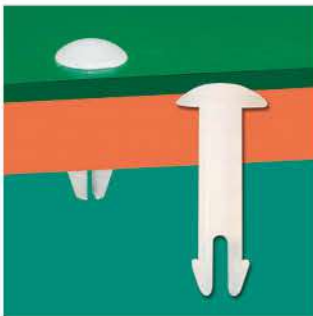
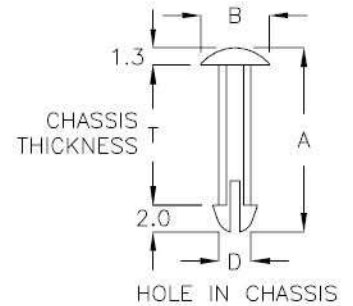


### 鉚釘 MOUNTING BUTTON

5-44-2

- MATERIAL: NYLON 66(UL)
- FLAME CLASS: 94V-2
- COLOR: NATURAL

| PART NO | A    | B    | T CHASSIS THICKNESS | D HOLE IN CHASSIS | PACKAGE |
|---------|------|------|---------------------|-------------------|---------|
| MB-08K  | 13.8 | ∅5.1 | 10.1                | ∅2.54             | 2000    |
| MB-15GH | 15.3 | ∅5.1 | 11.8                | ∅2.5              |         |

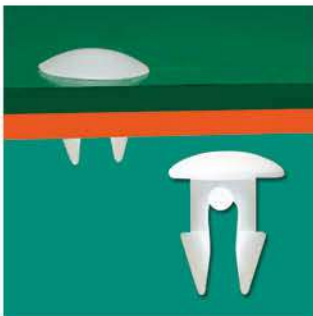
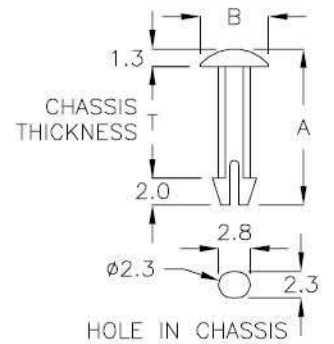


### 鉚釘 MOUNTING BUTTON

5-44-3

- MATERIAL: NYLON 66(UL)
- FLAME CLASS: 94V-2
- COLOR: NATURAL

| PART NO | A    | B    | T CHASSIS THICKNESS | PACKAGE |
|---------|------|------|---------------------|---------|
| MB-2GC  | 6.2  | ∅4.0 | 2.7                 | 2000    |
| MB-08R  | 11.7 | ∅5.1 | 8.2                 |         |

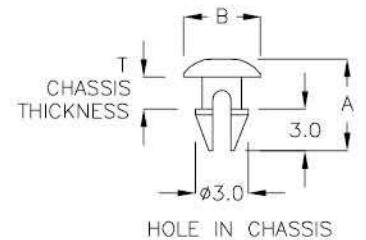


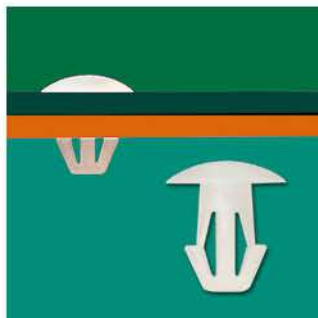
### 鉚釘 CANOE CLIP

5-44-4

- MATERIAL: NYLON 66(UL)
- FLAME CLASS: 94V-2
- COLOR: NATURAL

| PART NO | A   | B    | T CHASSIS THICKNESS | PACKAGE |
|---------|-----|------|---------------------|---------|
| MB-08M  | 6.6 | ∅5.5 | 2.2                 | 2000    |
| MB-8AC  | 7.9 | ∅5.5 | 3.5                 |         |
| MB-8DK  | 8.5 | ∅5.5 | 4.1                 |         |



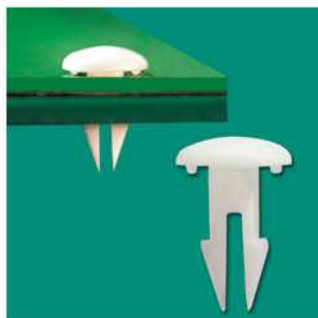
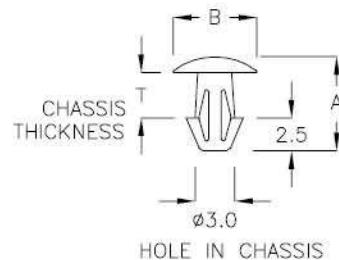


### 鉚釘 CANOE CLIP

5-45-1

- MATERIAL: NYLON 66(UL)
- FLAME CLASS: 94V-2
- COLOR: NATURAL

| PART NO | A   | B    | T<br>CHASSIS<br>THICKNESS | PACKAGE |
|---------|-----|------|---------------------------|---------|
| MB-08P  | 7.2 | ø6.4 | 3.2                       | 2000    |

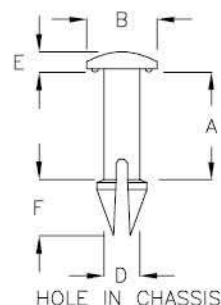


### 鉚釘 MOUNTING BUTTON

5-45-2

- MATERIAL: NYLON 66(UL)
- FLAME CLASS: 94V-2
- COLOR: NATURAL

| PART NO | A   | B    | D    | E   | F   | T<br>CHASSIS<br>THICKNESS | PACKAGE |
|---------|-----|------|------|-----|-----|---------------------------|---------|
| MB-8A   | 7.5 | ø5.1 | ø3.0 | 1.8 | 3.4 | 7.3                       | 2000    |
| MB-08C  | 3.5 | ø6.2 | ø3.0 | 1.9 | 3.8 | 3.4                       |         |
| MB-08D  | 4.7 | ø6.0 | ø3.5 | 1.5 | 4.1 | 4.5                       |         |

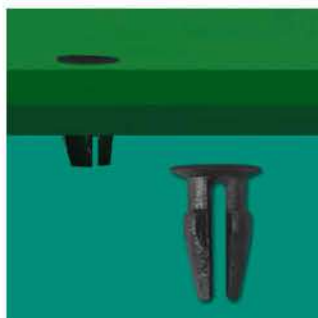
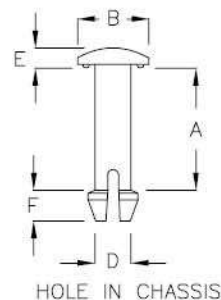


### 鉚釘 MOUNTING BUTTON

5-45-3

- MATERIAL: NYLON 66(UL)
- FLAME CLASS: 94V-2
- COLOR: NATURAL

| PART NO | A    | B    | D    | E   | F   | CHASSIS<br>THICKNESS | PACKAGE |
|---------|------|------|------|-----|-----|----------------------|---------|
| MB-08G  | 3.55 | ø6.2 | ø3.0 | 1.9 | 1.4 | 3.4                  | 2000    |
| MB-08H  | 8.25 | ø5.1 | ø3.3 | 1.4 | 2.2 | 8.1                  |         |
| MB-015  | 8.8  | ø5.1 | ø3.0 | 1.7 | 2.2 | 8.6                  |         |

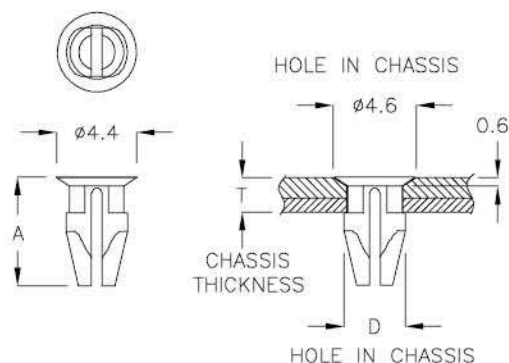


### 鉚釘 CANOE CLIP

5-45-4

- MATERIAL: NYLON 66(UL)
- FLAME CLASS: 94V-2
- COLOR: BLACK

| PART NO | A   | D HOLE<br>IN CHASSIS | T<br>CHASSIS<br>THICKNESS | PACKAGE |
|---------|-----|----------------------|---------------------------|---------|
| MB-06   | 6.0 | ø3.0                 | 1.9                       | 2000    |



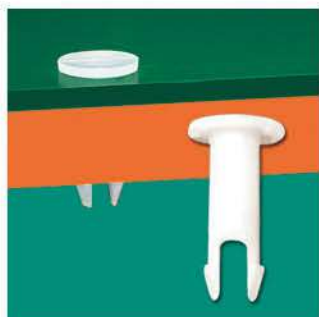
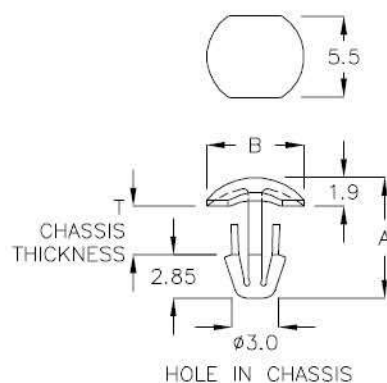


### 鉚釘 CANOE CLIP

5-46-1

- MATERIAL: NYLON 66(UL)
- FLAME CLASS: 94V-2
- COLOR: NATURAL

| PART NO | A    | B    | T<br>CHASSIS<br>THICKNESS | PACKAGE |
|---------|------|------|---------------------------|---------|
| MBS-3A  | 7.95 | ∅6.4 | 3.2~3.6                   | 1000    |

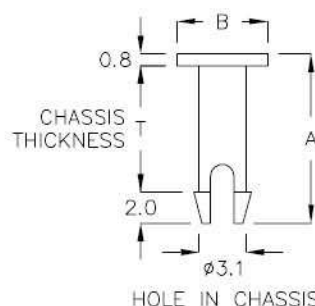


### 鉚釘 MOUNTING BUTTON

5-46-2

- MATERIAL: NYLON 66(UL)
- FLAME CLASS: 94V-2
- COLOR: NATURAL

| PART NO | A    | B    | T<br>CHASSIS<br>THICKNESS | PACKAGE |
|---------|------|------|---------------------------|---------|
| MBB-01  | 10.9 | ∅5.8 | 7.9                       | 1000    |

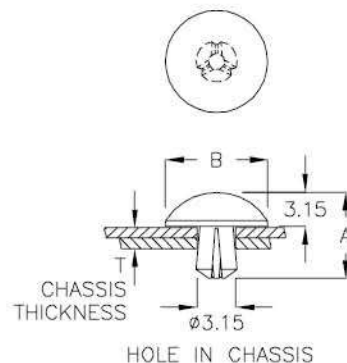


### 鉚釘 MOUNTING BUTTON

5-46-3

- MATERIAL: NYLON 66(UL)
- FLAME CLASS: 94V-2
- COLOR: NATURAL

| PART NO | A   | B    | T<br>CHASSIS<br>THICKNESS | PACKAGE |
|---------|-----|------|---------------------------|---------|
| MHG-3A  | 8.0 | ∅9.5 | 2.0                       | 2000    |

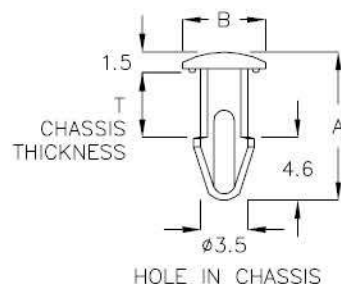


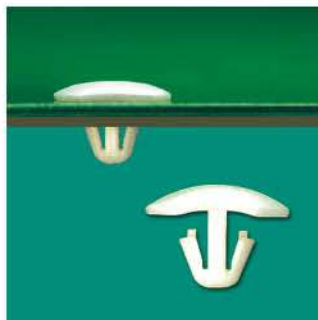
### 鉚釘 MOUNTING BUTTON

5-46-4

- MATERIAL: NYLON 66(UL)
- FLAME CLASS: 94V-2
- COLOR: NATURAL

| PART NO | A    | B    | T<br>CHASSIS<br>THICKNESS | PACKAGE |
|---------|------|------|---------------------------|---------|
| MB-08F  | 10.7 | ∅6.0 | 4.5                       | 2000    |

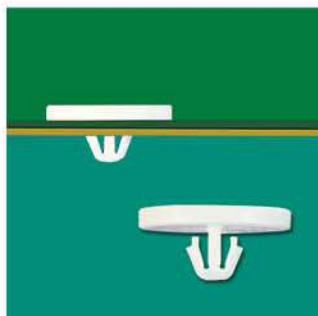
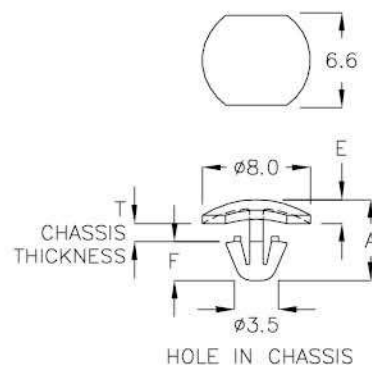




**鉚釘 CANOE CLIP** ————— | 5-47-1 |

- MATERIAL: NYLON 66(UL)
- FLAME CLASS: 94V-2
- COLOR: NATURAL

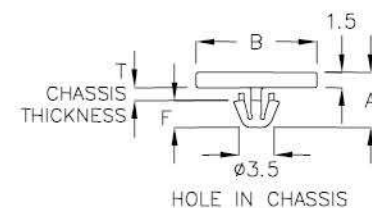
| PART NO | A    | E   | F    | T<br>CHASSIS<br>THICKNESS | PACKAGE |
|---------|------|-----|------|---------------------------|---------|
| MBM-1MY | 5.6  | 2.2 | 2.85 | 0.6~0.8                   | 2000    |
| MBM-1A  | 5.95 | 1.9 | 2.85 | 1.4~1.7                   |         |
| MBM-2D  | 6.15 | 2.2 | 2.85 | 1.2~1.4                   |         |
| MBM-2SA | 6.65 | 2.2 | 2.85 | 1.7~1.9                   |         |
| MBM-3PY | 5.7  | 2.2 | 2.5  | 0.9~1.1                   |         |



**鉚釘 CANOE CLIP** ————— | 5-47-2 |

- MATERIAL: PC(UL)
- FLAME CLASS: 94V-0
- COLOR: NATURAL

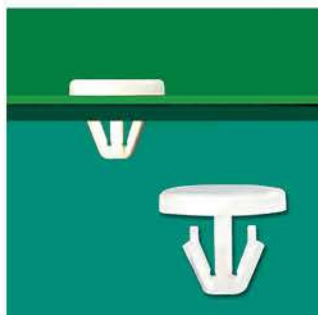
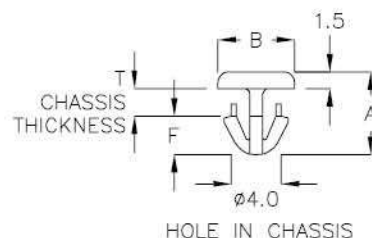
| PART NO | A    | B     | F    | T<br>CHASSIS<br>THICKNESS | PACKAGE |
|---------|------|-------|------|---------------------------|---------|
| MBR-3SQ | 5.45 | ∅12.0 | 2.65 | 1.1                       | 2000    |
| MBR-3AC | 6.05 | ∅20.0 | 3.4  | 1.0                       |         |



**鉚釘 CANOE CLIP** ————— | 5-47-3 |

- MATERIAL: NYLON 66(UL)
- FLAME CLASS: 94V-2
- COLOR: BLACK

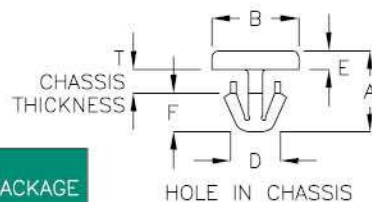
| PART NO | A   | B    | F   | T<br>CHASSIS<br>THICKNESS | PACKAGE |
|---------|-----|------|-----|---------------------------|---------|
| MB-07A  | 7.5 | ∅7.0 | 3.5 | 2.2                       | 2000    |
| MB-7AK  | 8.3 | ∅7.0 | 3.1 | 3.5                       |         |
| MB-7DF  | 9.0 | ∅7.0 | 3.1 | 4.2                       |         |



**鉚釘 CANOE CLIP** ————— | 5-47-4 |

- MATERIAL: NYLON 66(UL)
- FLAME CLASS: 94V-2
- COLOR: NATURAL

| PART NO | A   | B    | D<br>HOLE IN<br>CHASSIS | E   | F   | T<br>CHASSIS<br>THICKNESS | PACKAGE |
|---------|-----|------|-------------------------|-----|-----|---------------------------|---------|
| MBQ-1A  | 6.7 | ∅8.0 | ∅4.1                    | 1.3 | 3.5 | 1.85                      | 2000    |
| MBQ-1DC | 6.9 | ∅7.0 | ∅4.0                    | 1.5 | 3.1 | 2.2                       |         |
| MBQ-1PM | 6.5 | ∅7.0 | ∅4.0                    | 1.5 | 3.1 | 1.8                       |         |
| MBQ-1FH | 5.8 | ∅7.0 | ∅4.0                    | 1.5 | 3.1 | 1.0                       |         |



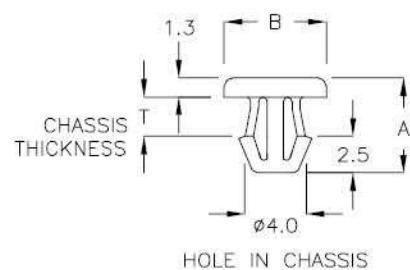


### 鉚釘 CANOE CLIP

5-48-1

- MATERIAL: NYLON 66(UL)
- FLAME CLASS: 94V-2
- COLOR: BLACK

| PART NO | A   | B    | T<br>CHASSIS<br>THICKNESS | PACKAGE |
|---------|-----|------|---------------------------|---------|
| MBK-4A  | 6.5 | ø7.0 | 2.4~2.6                   | 2000    |

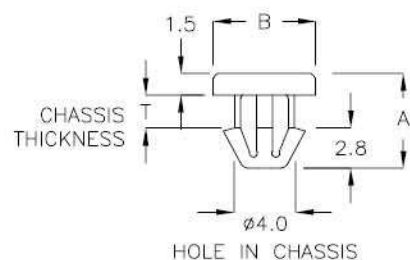


### 鉚釘 CANOE CLIP

5-48-2

- MATERIAL: NYLON 66(UL)
- FLAME CLASS: 94V-0
- COLOR: NATURAL

| PART NO | A   | B    | T<br>CHASSIS<br>THICKNESS | PACKAGE |
|---------|-----|------|---------------------------|---------|
| MBQ-1RF | 6.5 | ø7.0 | 1.6~1.9                   | 2000    |

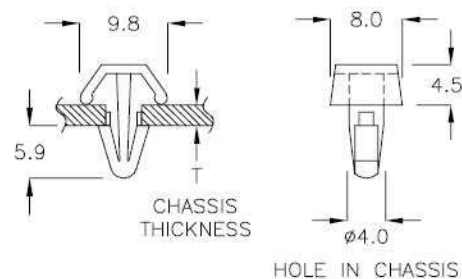


### 鉚釘 MOUNTING BUTTON

5-48-3

- MATERIAL: NYLON 66(UL)
- FLAME CLASS: 94V-2
- COLOR: NATURAL

| PART NO | T<br>CHASSIS<br>THICKNESS | PACKAGE |
|---------|---------------------------|---------|
| MB-10   | 2.5~3.2                   | 1000    |

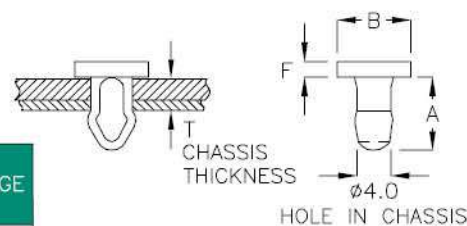


### 鉚釘 MOUNTING BUTTON

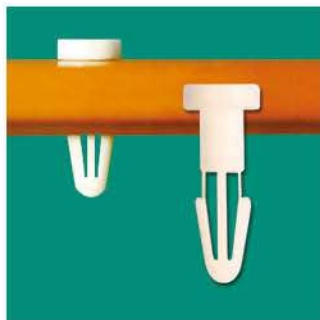
5-48-4

- MATERIAL: NYLON 66(UL)
- FLAME CLASS: 94V-2
- COLOR: BLACK

| PART NO | A   | B    | F   | T<br>CHASSIS<br>THICKNESS | PACKAGE |
|---------|-----|------|-----|---------------------------|---------|
| MBC-04  | 6.9 | ø7.0 | 1.5 | 3.3                       | 2000    |
| MBC-4AK | 5.8 | ø7.0 | 1.5 | 2.2                       |         |
| MBC-4DF | 7.1 | ø7.0 | 1.5 | 3.5                       |         |
| MBC-4KM | 8.1 | ø7.0 | 2.0 | 4.5                       |         |





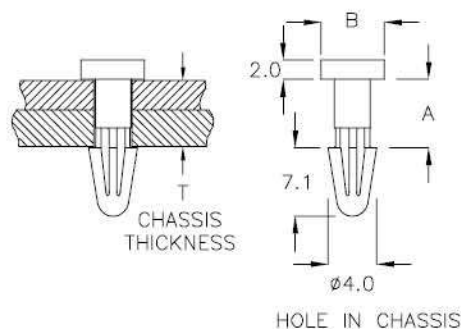


### 鉚釘 RIVET

5-49-1

- MATERIAL: NYLON 66(UL)
- FLAME CLASS: 94V-2
- COLOR: NATURAL

| PART NO | A   | B    | T<br>CHASSIS<br>THICKNESS | PACKAGE |
|---------|-----|------|---------------------------|---------|
| ACK-1A  | 7.0 | φ6.5 | 6.8                       | 2000    |



HOLE IN CHASSIS

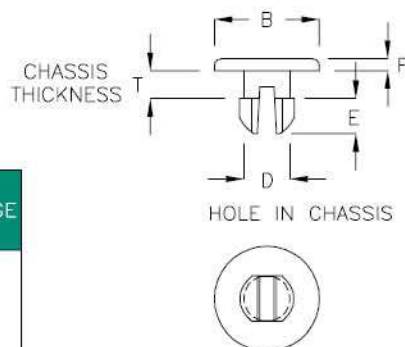


### 鉚釘 MOUNTING BUTTON

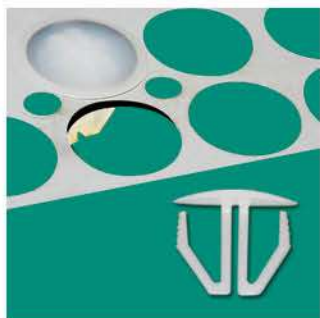
5-49-2

- MATERIAL: NYLON 66(UL)
- FLAME CLASS: 94V-2
- COLOR: NATURAL

| PART NO | B     | T<br>CHASSIS<br>THICKNESS | D HOLE<br>IN CHASSIS | E   | F   | PACKAGE |
|---------|-------|---------------------------|----------------------|-----|-----|---------|
| MB-9S   | φ11.7 | 2.0                       | φ5.54                | 4.0 | 1.3 | 1000    |
| MB-9    | φ11.7 | 3.0                       | φ5.54                | 4.1 | 1.3 |         |
| MB-9K   | φ15.1 | 4.3                       | φ7.4                 | 4.7 | 1.3 |         |
| MB-09A  | φ11.7 | 5.7                       | φ5.3                 | 3.9 | 1.3 |         |
| MB-09M  | φ8.0  | 2.6                       | φ5.0                 | 3.3 | 0.5 |         |



HOLE IN CHASSIS

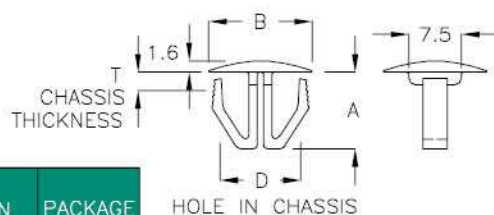


### 鉚釘 CANOE CLIP

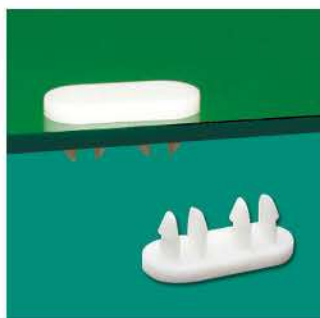
5-49-3

- MATERIAL: NYLON 66(UL)
- FLAME CLASS: 94V-2
- COLOR: NATURAL

| PART NO  | A    | B     | T<br>CHASSIS<br>THICKNESS | D<br>HOLE IN<br>CHASSIS | PACKAGE |
|----------|------|-------|---------------------------|-------------------------|---------|
| MBSK-10A | 11.0 | φ15.0 | 0.8~3.2                   | φ8.5~φ10.0              | 1000    |



HOLE IN CHASSIS

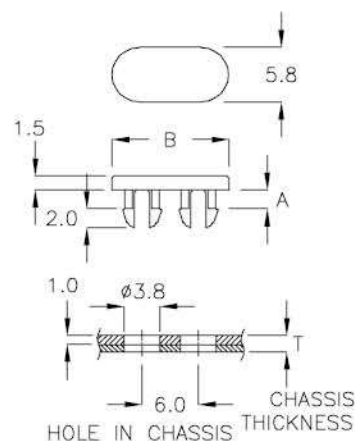


### 鉚釘 MOUNTING BUTTON

5-49-4

- MATERIAL: NYLON 66(UL)
- FLAME CLASS: 94V-2
- COLOR: NATURAL

| PART NO | A   | B    | T<br>CHASSIS<br>THICKNESS | PACKAGE |
|---------|-----|------|---------------------------|---------|
| MBP-3JQ | 2.0 | 12.5 | 1.8                       | 2000    |



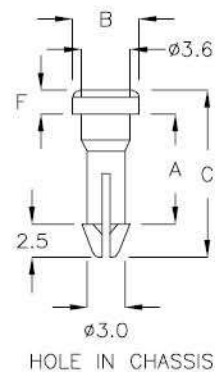
HOLE IN CHASSIS



### 鉚釘 MOUNTING BUTTON

5-50-1

- MATERIAL: NYLON 66(UL)
- FLAME CLASS: 94V-2
- COLOR: BLACK
- HOLE IN HEAT SINK:  $\Phi 3.2$
- SPECIFIC SPRING SPEC FOR APPLICATIVE THICKNESS OF CHASSIS



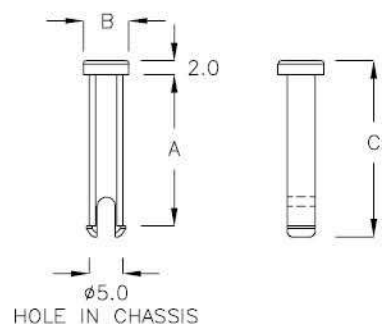
| PART NO | A    | B          | C     | F    | PACKAGE |
|---------|------|------------|-------|------|---------|
| MB-08Y  | 8.3  | $\Phi 5.0$ | 12.55 | 1.75 | 2000    |
| MB-15Y  | 14.6 | $\Phi 6.4$ | 19.85 | 2.75 |         |



### 鉚釘 MOUNTING BUTTON

5-50-2

- MATERIAL: NYLON 66(UL)
- FLAME CLASS: 94V-2
- COLOR: BLACK



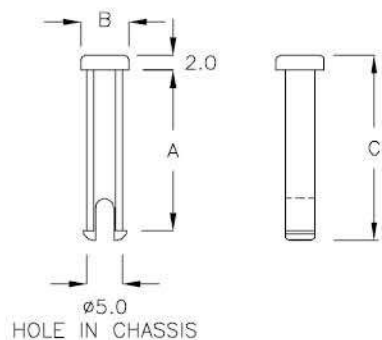
| PART NO | A    | B          | C    | PACKAGE |
|---------|------|------------|------|---------|
| MB-21A  | 22.0 | $\Phi 6.6$ | 25.6 | 1000    |



### 鉚釘 MOUNTING BUTTON

5-50-3

- MATERIAL: NYLON 66(UL)
- FLAME CLASS: 94V-2
- COLOR: BLACK



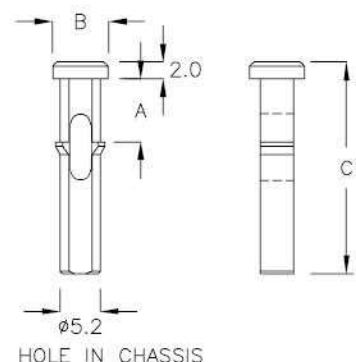
| PART NO | A    | B          | C    | PACKAGE |
|---------|------|------------|------|---------|
| MB-22   | 22.1 | $\Phi 6.6$ | 25.4 | 1000    |



### 鉚釘 MOUNTING BUTTON

5-50-4

- MATERIAL: NYLON 66(UL)
- FLAME CLASS: 94V-2
- COLOR: BLACK



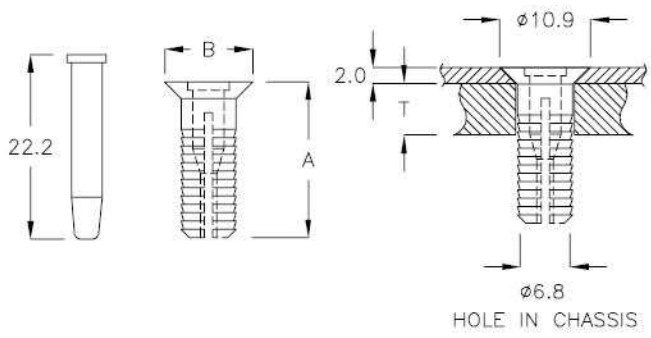
| PART NO | A   | B          | C    | PACKAGE |
|---------|-----|------------|------|---------|
| MB-25A  | 7.6 | $\Phi 6.6$ | 25.4 | 1000    |



鉚釘 MOUNTING BUTTON

5-51-1

- MATERIAL: NYLON 66(UL)
- FLAME CLASS: 94V-2
- COLOR: NATURAL



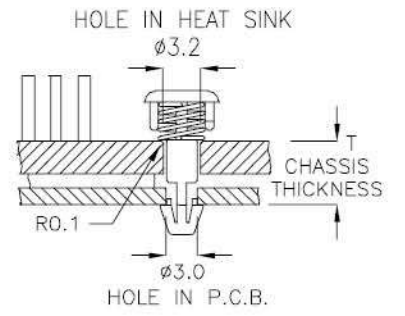
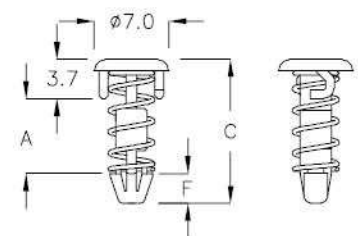
| PART NO | A    | T<br>CHASSIS<br>THICKNESS | B           | PACKAGE |
|---------|------|---------------------------|-------------|---------|
| MEK-01  | 16.7 | 6.5~7.5                   | $\phi 10.6$ | 2000    |



散熱片鉚釘 MOUNTING BUTTON

5-51-2

- MATERIAL: NYLON 66(UL)
- FLAME CLASS: 94V-2
- COLOR: NATURAL



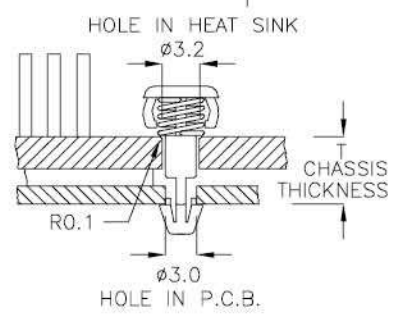
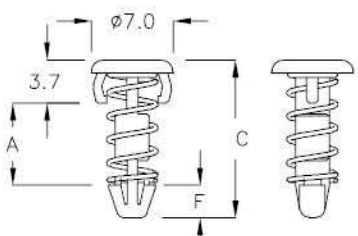
| PART NO | A   | C    | F   | T<br>CHASSIS<br>THICKNESS | PACKAGE |
|---------|-----|------|-----|---------------------------|---------|
| MB-05Y  | 4.2 | 10.7 | 2.8 | 3.0~4.2                   | 2000    |
| MB-07Y  | 7.0 | 13.5 | 2.8 | 4.5~6.0                   |         |
| MB-07YA | 9.0 | 15.2 | 2.5 | 4.5~7.0                   |         |



散熱片鉚釘 MOUNTING BUTTON

5-51-3

- MATERIAL: NYLON 66(UL)
- FLAME CLASS: 94V-2
- COLOR: NATURAL



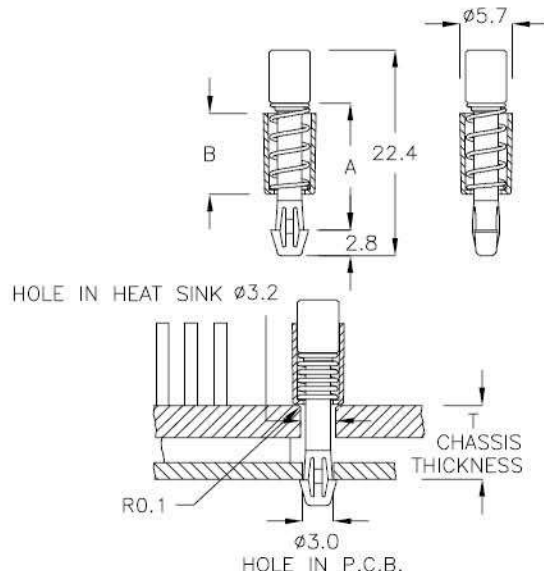
| PART NO | A   | C    | F   | T<br>CHASSIS<br>THICKNESS | PACKAGE |
|---------|-----|------|-----|---------------------------|---------|
| MB-07U  | 7.0 | 13.5 | 2.8 | 4.5~5.5                   | 2000    |
| MB-07UA | 9.0 | 15.2 | 2.5 | 4.5~7.0                   |         |



### 散熱片鉚釘 MOUNTING BUTTON 5-52-1

- MATERIAL: NYLON 66(UL)
- FLAME CLASS: 94V-2
- COLOR: BLACK

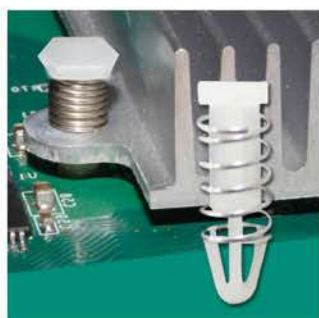
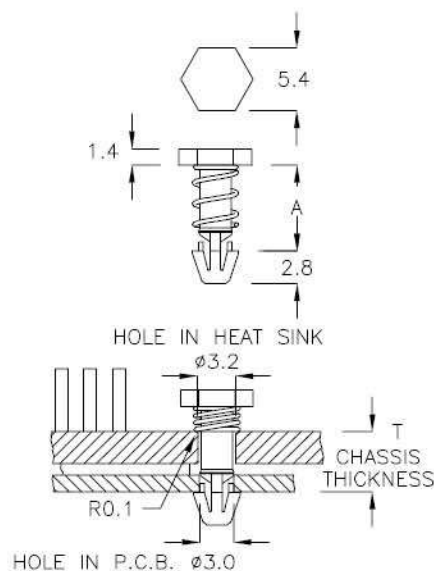
| PART NO | A    | B   | CHASSIS THICKNESS | PACKAGE |
|---------|------|-----|-------------------|---------|
| MB-08J  | 13.8 | 8.8 | 5.0~8.5           | 2000    |



### 散熱片鉚釘 MOUNTING BUTTON 5-52-2

- MATERIAL: NYLON 66(UL)
- FLAME CLASS: 94V-2
- COLOR: NATURAL, BLACK

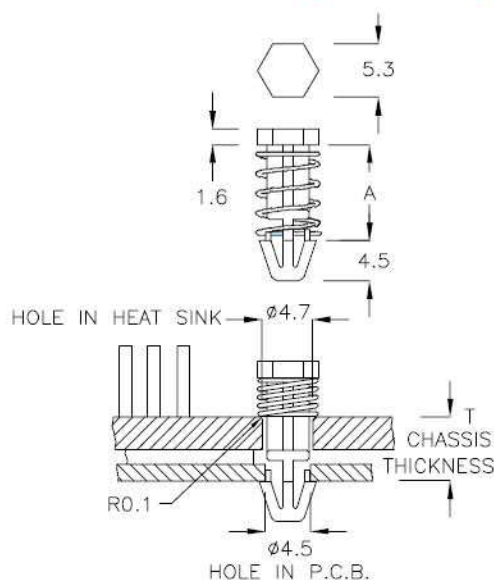
| PART NO | A   | CHASSIS THICKNESS | PACKAGE |
|---------|-----|-------------------|---------|
| MB-08N  | 7.4 | 3.0~4.0           | 2000    |



### 散熱片鉚釘 MOUNTING BUTTON 5-52-3

- MATERIAL: NYLON 66(UL)
- FLAME CLASS: 94V-2
- COLOR: NATURAL

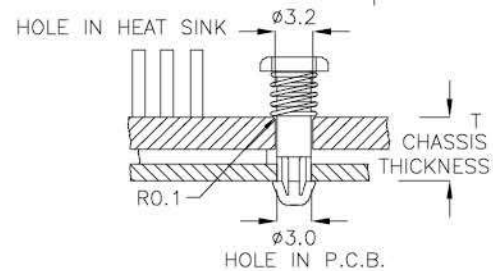
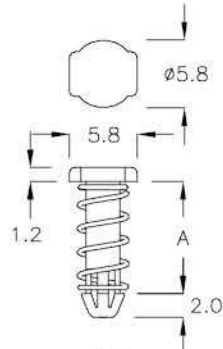
| PART NO | A   | CHASSIS THICKNESS | PACKAGE |
|---------|-----|-------------------|---------|
| MB-8KP  | 8.8 | 3.0~5.3           | 1000    |





**散熱片鉚釘 MOUNTING BUTTON 5-53-1**

- MATERIAL: NYLON 66(UL)
- FLAME CLASS: 94V-2
- COLOR: NATURAL

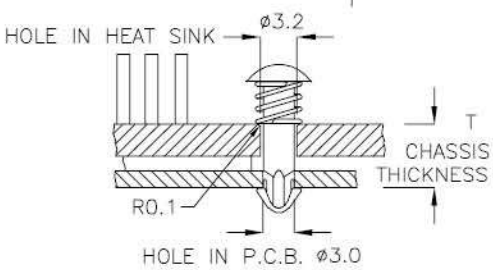
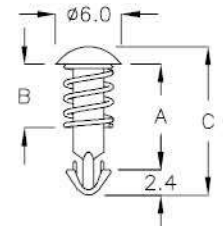


| PART NO | A   | CHASSIS THICKNESS | PACKAGE |
|---------|-----|-------------------|---------|
| MB-13   | 9.6 | 4.5~5.5           | 1000    |

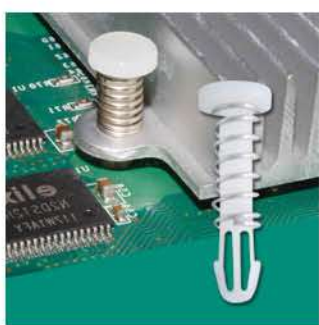


**散熱片鉚釘 MOUNTING BUTTON 5-53-2**

- MATERIAL: NYLON 66(UL)
- FLAME CLASS: 94V-2
- COLOR: NATURAL, BLACK

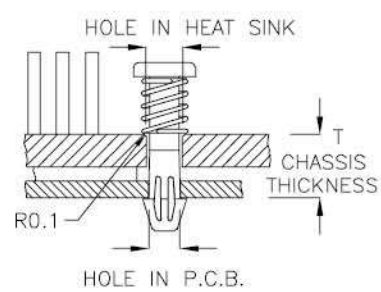
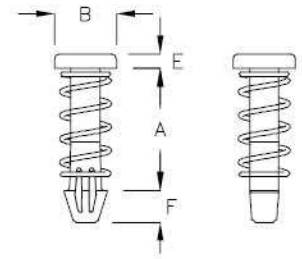


| PART NO | A    | B    | C    | CHASSIS THICKNESS | PACKAGE |
|---------|------|------|------|-------------------|---------|
| MB-13A  | 9.6  | 7.8  | 13.5 | 3.6~5.0           | 2000    |
| MB-21   | 17.6 | 14.7 | 21.6 | 7.5~9.0           |         |

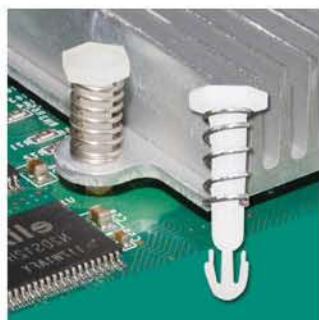


**散熱片鉚釘 MOUNTING BUTTON 5-53-3**

- MATERIAL: NYLON 66(UL)
- FLAME CLASS: 94V-2
- COLOR: NATURAL



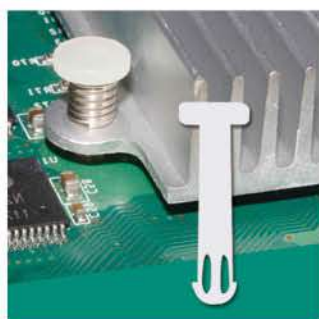
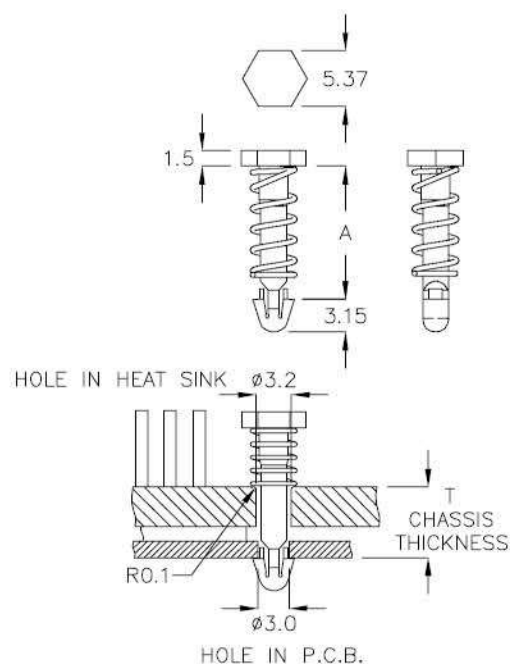
| PART NO | A    | B   | HOLE IN P.C.B. | HOLE IN HEAT SINK | T CHASSIS THICKNESS | E   | F   | PACKAGE |
|---------|------|-----|----------------|-------------------|---------------------|-----|-----|---------|
| MB-15C  | 12.5 | 6.4 | 3.0            | 3.2               | 5.5~6.5             | 1.5 | 3.3 | 1000    |
| MB-15K  | 12.5 | 6.4 | 3.2            | 3.4               | 4.5~6.5             | 1.5 | 3.3 |         |
| MB-15F  | 14.0 | 5.5 | 3.0            | 3.2               | 7.0~8.0             | 1.5 | 2.8 | 2000    |



### 散熱片鉚釘 MOUNTING BUTTON 5-54-1

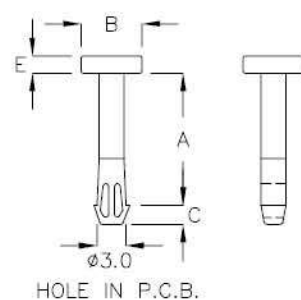
- MATERIAL: NYLON 66(UL)
- FLAME CLASS: 94V-2
- COLOR: NATURAL

| PART NO | A    | T<br>CHASSIS<br>THICKNESS | PACKAGE |
|---------|------|---------------------------|---------|
| MB-17C  | 12.9 | 3.0~5.0                   | 2000    |



### 散熱片鉚釘 MOUNTING BUTTON 5-54-2

- MATERIAL: NYLON 66(UL)
- FLAME CLASS: 94V-2
- COLOR: NATURAL
- HOLE IN HEAT SINK:  $\phi 3.2$
- SPECIFIC SPRING SPEC FOR APPLICATIVE THICKNESS OF CHASSIS



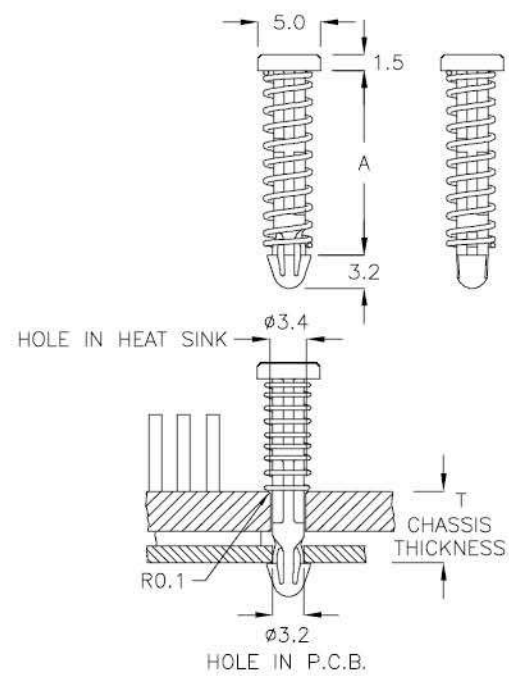
| PART NO | A    | B          | C   | E   | PACKAGE |
|---------|------|------------|-----|-----|---------|
| MB-11KH | 9.0  | $\phi 6.2$ | 1.5 | 1.2 | 2000    |
| MB-14K  | 9.5  | $\phi 6.4$ | 3.3 | 0.9 |         |
| MB-14A  | 9.5  | $\phi 6.4$ | 3.3 | 1.5 |         |
| MB-13FD | 11.0 | $\phi 6.2$ | 1.5 | 1.2 |         |
| MB-07W  | 14.0 | $\phi 6.4$ | 2.0 | 1.8 |         |
| MB-07C  | 14.0 | $\phi 6.4$ | 3.3 | 1.8 |         |
| MB-15JQ | 14.0 | $\phi 5.5$ | 1.5 | 1.5 |         |
| MB-15D  | 15.0 | $\phi 5.0$ | 2.0 | 1.8 |         |



**散熱片鉚釘 MOUNTING BUTTON 5-55-1**

- MATERIAL: NYLON 66(UL)
- FLAME CLASS: 94V-2
- COLOR: NATURAL

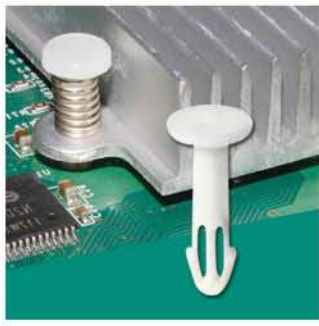
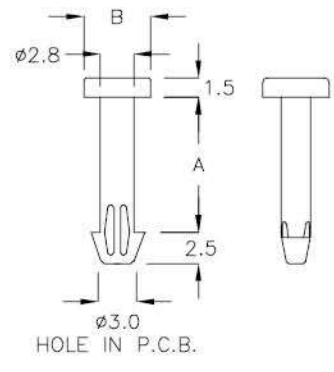
| PART NO | A    | T<br>CHASSIS<br>THICKNESS | PACKAGE |
|---------|------|---------------------------|---------|
| MB-17KM | 17.7 | 7.5~9.5                   | 1000    |



**散熱片鉚釘 MOUNTING BUTTON 5-55-2**

- MATERIAL: NYLON 66(UL)
- FLAME CLASS: 94V-2
- COLOR: NATURAL, BLACK
- HOLE IN HEAT SINK:  $\Phi 3.2$
- SPECIFIC SPRING SPEC FOR APPLICATIVE THICKNESS OF CHASSIS

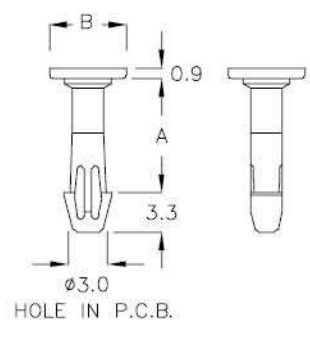
| PART NO | A    | B          | PACKAGE |
|---------|------|------------|---------|
| MB-15A  | 11.5 | $\Phi 6.4$ | 2000    |
| MB-12XQ | 8.7  | $\Phi 6.4$ |         |



**散熱片鉚釘 MOUNTING BUTTON 5-55-3**

- MATERIAL: NYLON 66(UL)
- FLAME CLASS: 94V-2
- COLOR: NATURAL
- HOLE IN HEAT SINK:  $\Phi 3.2$
- SPECIFIC SPRING SPEC FOR APPLICATIVE THICKNESS OF CHASSIS

| PART NO | A   | B          | PACKAGE |
|---------|-----|------------|---------|
| MB-14M  | 9.5 | $\Phi 6.4$ | 2000    |

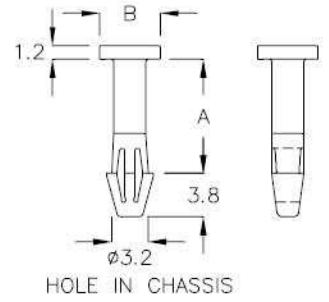




### 散熱片鉚釘 MOUNTING BUTTON 5-56-1

- MATERIAL: NYLON 66(UL)
- FLAME CLASS: 94V-2
- COLOR: BLACK
- HOLE IN HEAT SINK:  $\Phi 3.4$
- SPECIFIC SPRING SPEC FOR APPLICATIVE THICKNESS OF CHASSIS

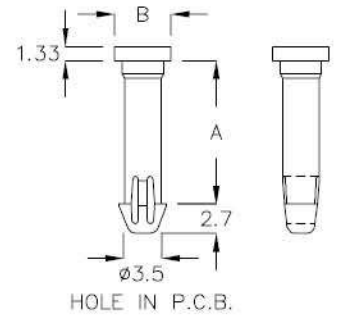
| PART NO | A    | B          | PACKAGE |
|---------|------|------------|---------|
| MB-15NK | 10.0 | $\Phi 5.3$ | 2000    |



### 散熱片鉚釘 MOUNTING BUTTON 5-56-2

- MATERIAL: NYLON 66(UL)
- FLAME CLASS: 94V-2
- COLOR: BLACK
- HOLE IN HEAT SINK:  $\Phi 3.7$
- SPECIFIC SPRING SPEC FOR APPLICATIVE THICKNESS OF CHASSIS

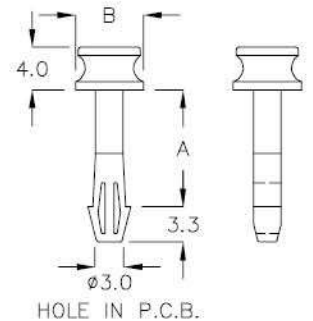
| PART NO | A    | B          | PACKAGE |
|---------|------|------------|---------|
| MB-17F  | 13.1 | $\Phi 5.2$ | 1000    |



### 散熱片鉚釘 MOUNTING BUTTON 5-56-3

- MATERIAL: NYLON 66(UL)
- FLAME CLASS: 94V-2
- COLOR: NATURAL
- HOLE IN HEAT SINK:  $\Phi 3.2$
- SPECIFIC SPRING SPEC FOR APPLICATIVE THICKNESS OF CHASSIS

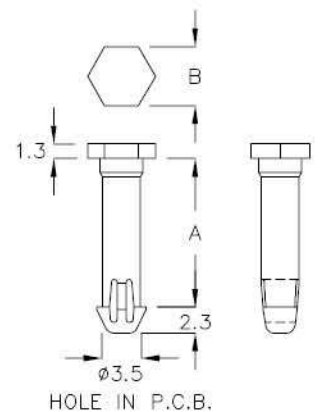
| PART NO | A    | B          | PACKAGE |
|---------|------|------------|---------|
| MB-99   | 11.0 | $\Phi 6.4$ | 2000    |
| MB-99A  | 14.0 | $\Phi 6.4$ |         |



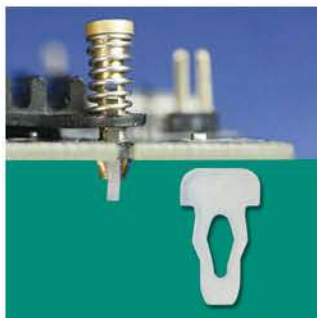
### 散熱片鉚釘 MOUNTING BUTTON 5-56-4

- MATERIAL: NYLON 66(UL)
- FLAME CLASS: 94V-2
- COLOR: BLACK
- HOLE IN HEAT SINK:  $\Phi 3.7$
- SPECIFIC SPRING SPEC FOR APPLICATIVE THICKNESS OF CHASSIS

| PART NO | A    | B   | PACKAGE |
|---------|------|-----|---------|
| MBH-16K | 13.1 | 5.2 | 1000    |



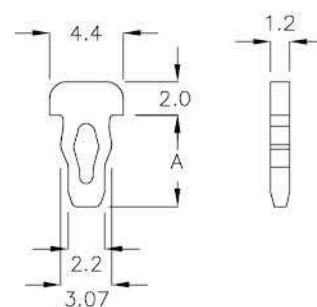




### 定位銷 PIN PLANAR LOCATOR

5-57-1

- MATERIAL: NYLON 66(UL)
- FLAME CLASS: 94V-2
- COLOR: NATURAL



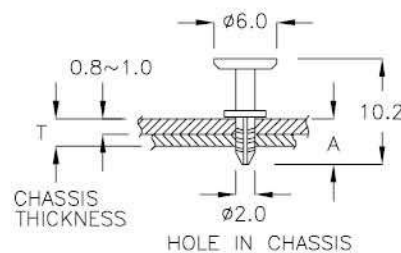
| PART NO | A   | PACKAGE |
|---------|-----|---------|
| MBZ-06  | 5.5 | 2000    |



### 鉚釘 CANOE CLIP

5-57-2

- MATERIAL: NYLON 66(UL)
- FLAME CLASS: 94V-2
- COLOR: NATURAL



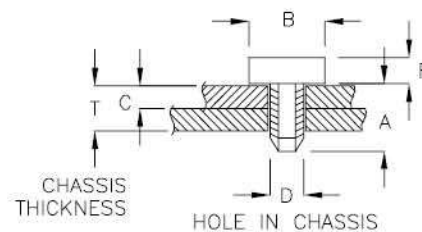
| PART NO | A   | T<br>CHASSIS<br>THICKNESS | PACKAGE |
|---------|-----|---------------------------|---------|
| MB-014  | 4.6 | >2.4                      | 2000    |



### 鉚釘 CANOE CLIP

5-57-3

- MATERIAL: NYLON 66(UL)
- FLAME CLASS: 94V-2
- COLOR: NATURAL



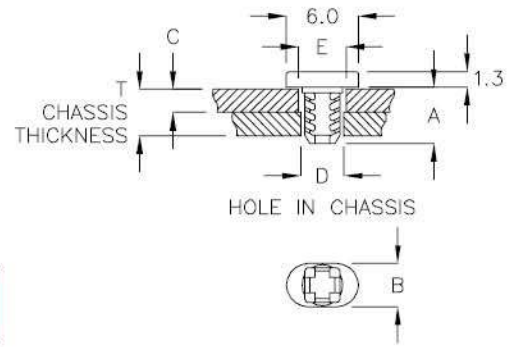
| PART NO | A   | B    | C<br>CHASSIS<br>THICKNESS | D<br>HOLE IN<br>CHASSIS | F   | T<br>CHASSIS<br>THICKNESS | PACKAGE |
|---------|-----|------|---------------------------|-------------------------|-----|---------------------------|---------|
| MB-14Q  | 3.1 | φ3.5 | 0.8~1.0                   | φ1.8                    | 1.2 | >3.0                      | 2000    |
| MB-14R  | 3.8 | φ5.0 | 0.8~1.0                   | φ3.0                    | 0.7 | >3.5                      |         |
| MB-14S  | 3.8 | φ5.0 | 0.8~1.0                   | φ3.0                    | 0.5 | >3.5                      |         |
| MB-14H  | 5.5 | φ5.0 | 0.8~1.0                   | φ3.0                    | 0.5 | >5.0                      |         |



### 鉚釘 CANOE CLIP

5-58-1

- MATERIAL: NYLON 66(UL)
- FLAME CLASS: 94V-2
- COLOR: BLACK



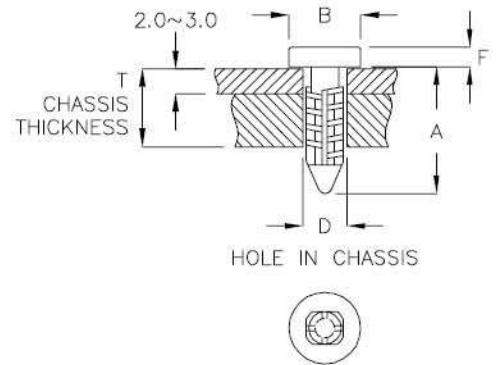
| PART NO | A    | B   | C       | D    | E    | T    | PACKAGE |
|---------|------|-----|---------|------|------|------|---------|
| MBT-06  | 4.7  | 3.6 | 0.8~1.0 | ∅3.5 | ∅3.5 | >5.0 | 2000    |
| MBT-16J | 15.0 | 3.9 | 1.0~1.2 | ∅3.5 | ∅4.0 | >5.0 | 1000    |



### 鉚釘 CANOE CLIP

5-58-2

- MATERIAL: NYLON 66(UL)
- FLAME CLASS: 94V-2
- COLOR: NATURAL



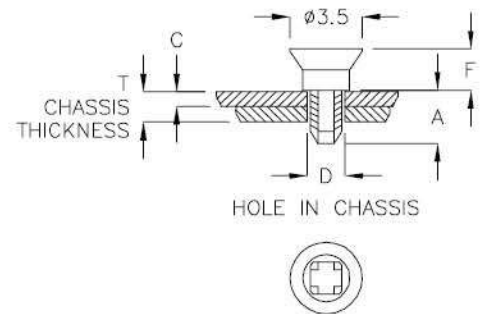
| PART NO | A    | B     | D    | F   | T    | PACKAGE |
|---------|------|-------|------|-----|------|---------|
| MB-011  | 9.7  | ∅5.5  | ∅2.9 | 1.5 | >5.0 | 2000    |
| MB-19A  | 17.6 | ∅10.9 | ∅5.0 | 1.0 | >5.5 |         |



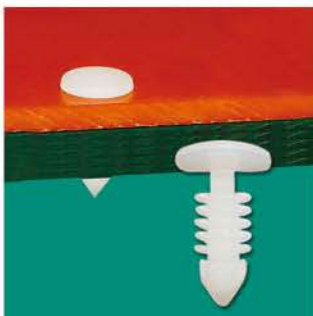
### 鉚釘 CANOE CLIP

5-58-3

- MATERIAL: NYLON 66(UL)
- FLAME CLASS: 94V-2
- COLOR: NATURAL



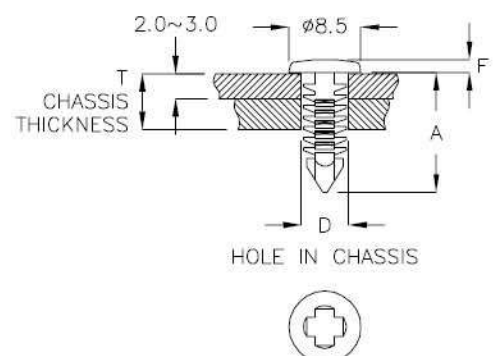
| PART NO | A   | C   | F   | D    | T    | PACKAGE |
|---------|-----|-----|-----|------|------|---------|
| MB-14C  | 2.6 | 1.0 | 2.0 | ∅1.8 | >2.6 | 2000    |
| MB-14F  | 3.8 | 1.6 | 3.5 | ∅1.8 | >3.8 |         |



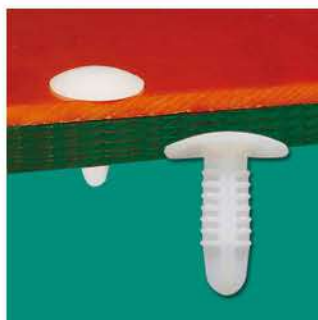
### 鉚釘 CANOE CLIP

5-58-4

- MATERIAL: NYLON 66(UL)
- FLAME CLASS: 94V-2
- COLOR: NATURAL



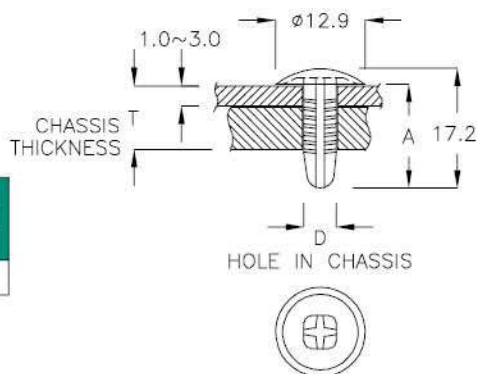
| PART NO | A    | F   | D          | T    | PACKAGE |
|---------|------|-----|------------|------|---------|
| MB-17A  | 14.3 | 1.5 | ∅4.9~∅4.95 | >8.0 | 1000    |



### 鉚釘 MOUNTING BUTTON

5-59-1

- MATERIAL: NYLON 66(UL)
- FLAME CLASS: 94V-2
- COLOR: NATURAL



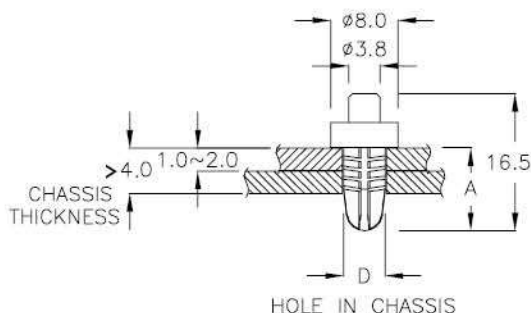
| PART NO | A    | D<br>HOLE IN<br>CHASSIS | T<br>CHASSIS<br>THICKNESS | PACKAGE |
|---------|------|-------------------------|---------------------------|---------|
| MB-17   | 14.9 | ø5.0~ø5.1               | >6.0                      | 1000    |



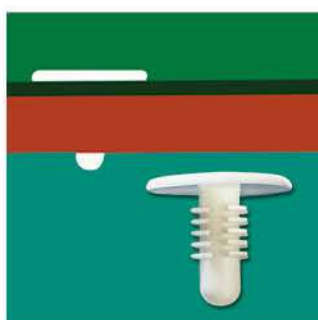
### 鉚釘 CANOE CLIP

5-59-2

- MATERIAL: NYLON 66(UL)
- FLAME CLASS: 94V-2
- COLOR: BLACK



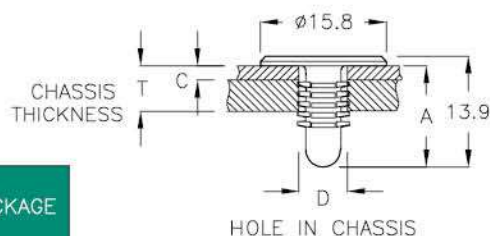
| PART NO | A    | D<br>HOLE IN<br>CHASSIS | PACKAGE |
|---------|------|-------------------------|---------|
| WCD-6A  | 10.0 | ø5.6~ø5.7               | 2000    |



### 鉚釘 CANOE CLIP

5-59-3

- MATERIAL: NYLON 66(UL)
- FLAME CLASS: 94V-2
- COLOR: NATURAL



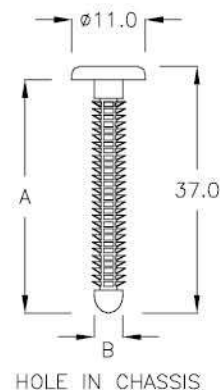
| PART NO  | A    | C   | D    | T<br>CHASSIS<br>THICKNESS | PACKAGE |
|----------|------|-----|------|---------------------------|---------|
| MBY-12JW | 12.7 | 1.6 | ø6.1 | >6.0                      | 1000    |



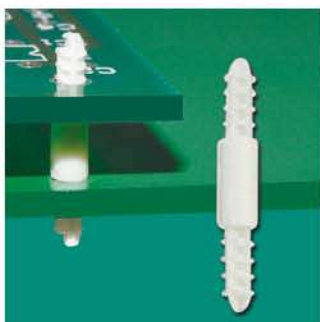
### 鉚釘 CANOE CLIP

5-59-4

- MATERIAL: NYLON 66(UL)
- FLAME CLASS: 94V-2
- COLOR: NATURAL

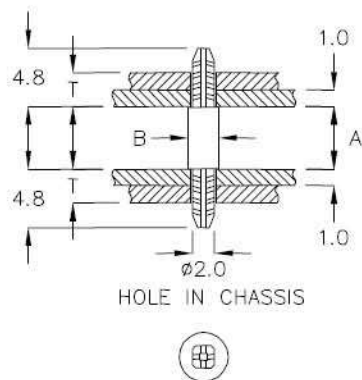


| PART NO | A    | B<br>HOLE IN<br>CHASSIS | PACKAGE |
|---------|------|-------------------------|---------|
| MB-35   | 35.0 | ø4.7~ø4.9               | 1000    |



間隔柱用鉚釘 SUPPORTING RIVET ———— 5-60-1

- MATERIAL: NYLON 66(UL)
- FLAME CLASS: 94V-2
- COLOR: NATURAL

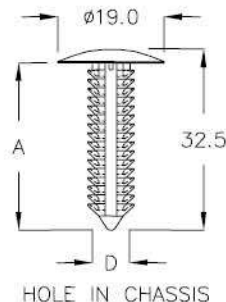


| PART NO | A   | B    | T<br>MAXIMUM<br>THICKNESS | PACKAGE |
|---------|-----|------|---------------------------|---------|
| MB-14D  | 5.0 | ∅2.5 | 3.0                       | 2000    |



鉚釘 CANOE CLIP ———— 5-60-2

- MATERIAL: NYLON 66(UL)
- FLAME CLASS: 94V-2
- COLOR: NATURAL

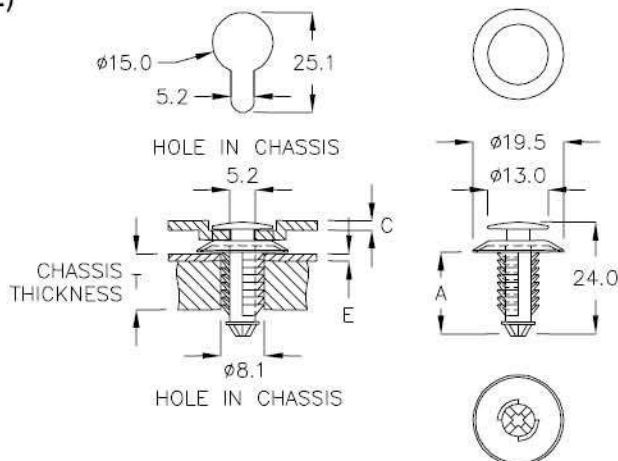


| PART NO | A    | D<br>HOLE IN<br>CHASSIS | CHASSIS<br>THICKNESS | PACKAGE |
|---------|------|-------------------------|----------------------|---------|
| MBTR-32 | 30.0 | ∅7.1                    | 1.5~25.4             | 1000    |



鉚釘 CANOE CLIP ———— 5-60-3

- MATERIAL: NYLON 66(UL)
- FLAME CLASS: 94V-2
- COLOR: NATURAL

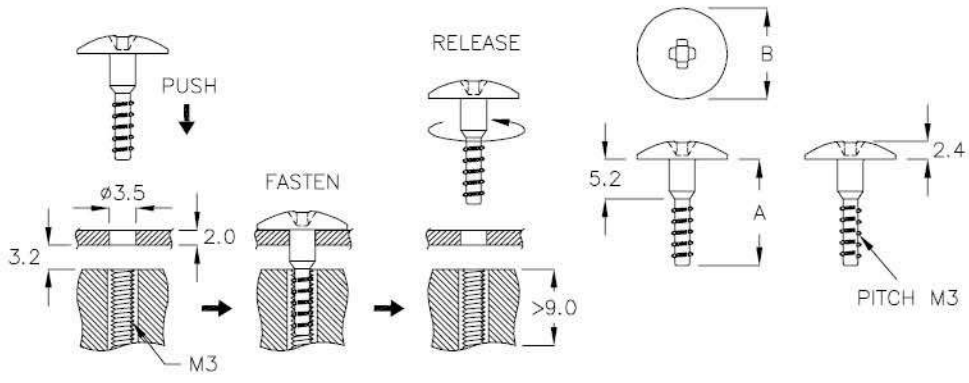


| PART NO | A    | C<br>CHASSIS<br>THICKNESS | E<br>CHASSIS<br>THICKNESS | T<br>CHASSIS<br>THICKNESS | PACKAGE |
|---------|------|---------------------------|---------------------------|---------------------------|---------|
| MBDA-24 | 17.5 | 2.3                       | 0.8                       | 12.0                      | 1000    |



螺絲固定扣 PLASTIC SCREW 5-61-1

- MATERIAL: NYLON 66(UL)
- FLAME CLASS: 94V-0
- COLOR: BLACK

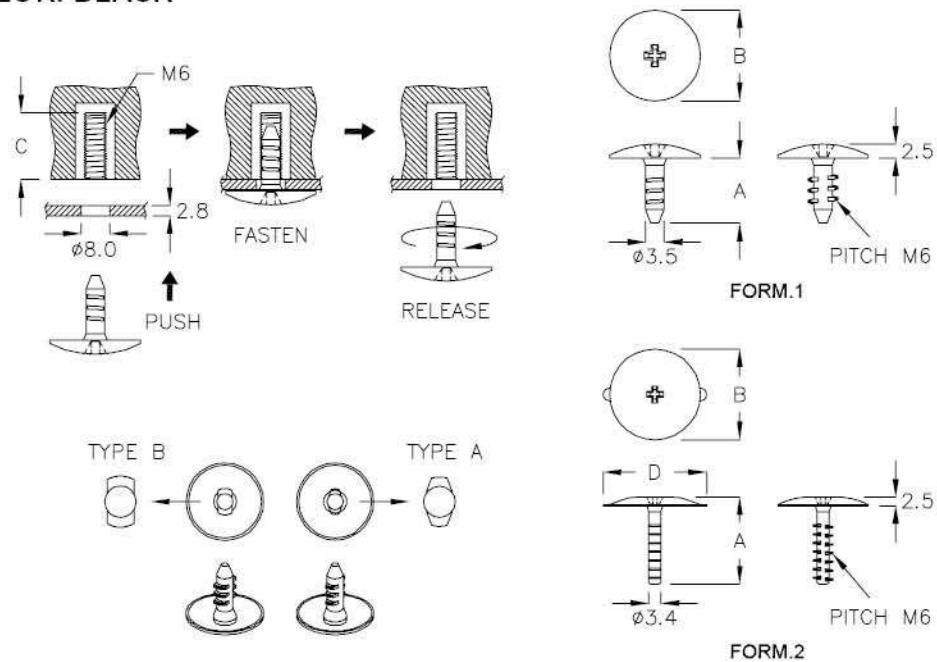


| PART NO   | A     | B    | PACKAGE |
|-----------|-------|------|---------|
| SZ-3M15HC | ∅12.0 | 14.0 | 1000    |



螺絲固定扣 PLASTIC SCREW 5-61-2

- MATERIAL: NYLON 66(UL)
- FLAME CLASS: 94V-2
- MATERIAL: ABS+PC
- FLAME CLASS: 94V-0
- COLOR: BLACK



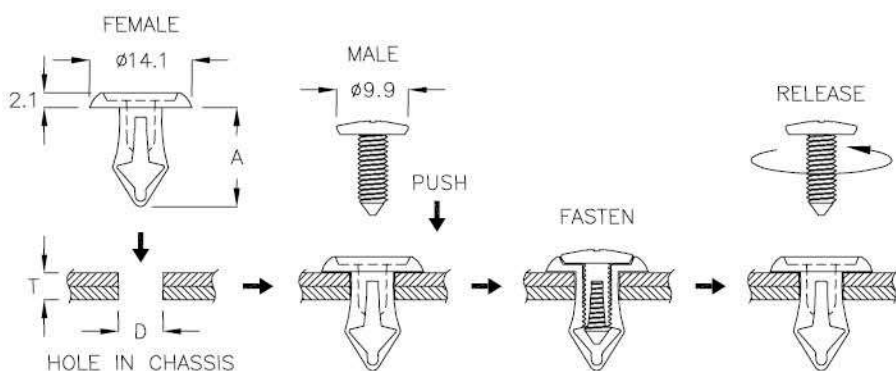
| PART NO   | MATERIAL | A    | B     | C    | D    | HEAD STYLE | FIN STYLE | PACKAGE |
|-----------|----------|------|-------|------|------|------------|-----------|---------|
| SZ-6M12   | N66      | 12.0 | ∅16.8 | 18.5 |      | FORM.1     | TYPE A    | 1000    |
| SZ-6M12KD | N66      | 12.0 | ∅16.8 | 18.5 |      | FORM.1     | TYPE B    |         |
| SZ-6M13F  | N66      | 13.5 | ∅20.0 | 18.5 | 24.0 | FORM.2     | TYPE B    |         |
| SZ-6M17D  | N66      | 17.5 | ∅20.0 | 22.0 | 24.0 | FORM.2     | TYPE B    |         |
| SZ-6M21MQ | N66      | 21.5 | ∅20.0 | 25.0 | 24.0 | FORM.2     | TYPE B    |         |
| SZ-6M21A  | ABS+PC   | 21.5 | ∅25.0 | 25.0 | 28.6 | FORM.2     | TYPE A    |         |



### 鉚釘 SNAP RIVET

5-62-1

- MALE MATERIAL: NYLON 66(UL)
- FEMALE MATERIAL: PC(UL)
- FLAME CLASS: 94V-2
- COLOR: BLACK



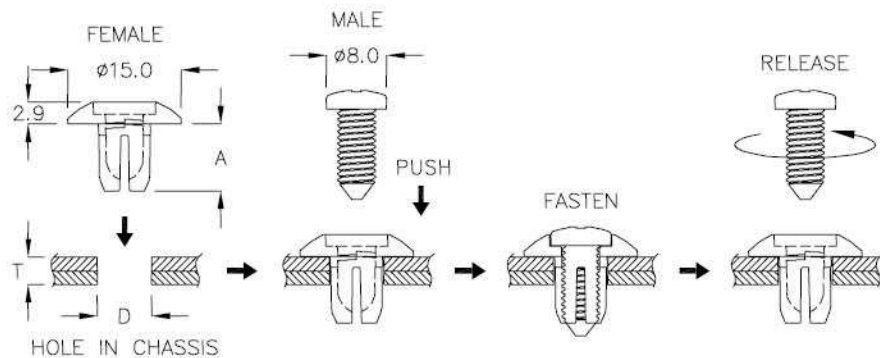
| PART NO | A     | D<br>HOLE IN<br>CHASSIS | T<br>CHASSIS<br>THICKNESS | PACKAGE |
|---------|-------|-------------------------|---------------------------|---------|
| MEL-6A  | 13.65 | $\phi 5.9$              | 4.5                       | 1000    |



### 鉚釘 SNAP RIVET

5-62-2

- MATERIAL: PC(UL)
- FLAME CLASS: 94V-0
- COLOR: BLACK

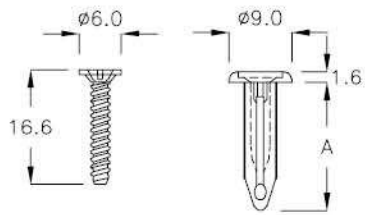


| PART NO | A    | D<br>HOLE IN<br>CHASSIS | T<br>CHASSIS<br>THICKNESS | PACKAGE |
|---------|------|-------------------------|---------------------------|---------|
| MEP-07  | 8.86 | $\phi 7.0$              | 4.0~5.5                   | 1000    |

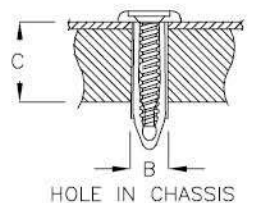


**鉚釘 SNAP RIVET** | 5-63-1 |

- MATERIAL: NYLON 66(UL)
- FLAME CLASS: 94V-2
- COLOR: BLACK

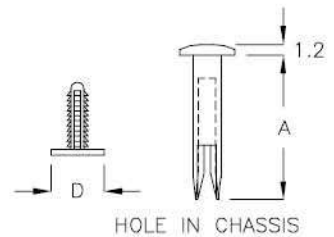


| PART NO | A     | B<br>HOLE IN<br>CHASSIS | C<br>CHASSIS<br>THICKNESS | PACKAGE |
|---------|-------|-------------------------|---------------------------|---------|
| MEC-18  | 18.45 | ø5.0                    | 9.5~11.5                  | 1000    |

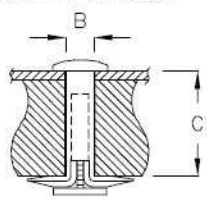


**鉚釘 MOUNTING BUTTON** | 5-63-2 |

- MALE MATERIAL: NYLON 66(UL)
- FLAME CLASS: 94V-2
- FEMALE MATERIAL: PU
- COLOR: BLACK

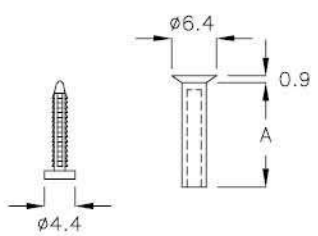


| PART NO | A    | B<br>HOLE IN<br>CHASSIS | C<br>CHASSIS<br>THICKNESS | D    | PACKAGE |
|---------|------|-------------------------|---------------------------|------|---------|
| SRU-3   | 15.7 | ø3.2                    | 10.5~11.5                 | ø5.8 | 2000    |
| SRU-3A  | 11.0 | ø2.7                    | 9.0~9.5                   | ø5.6 |         |
| SRU-3S  | 14.3 | ø2.7                    | 10.7~11.2                 | ø5.6 |         |

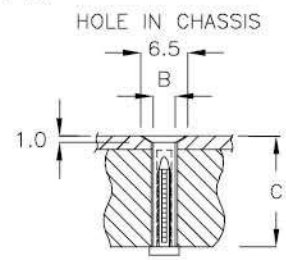


**鉚釘 MOUNTING BUTTON** | 5-63-3 |

- MALE MATERIAL: NYLON 66(UL)
- FLAME CLASS: 94V-2
- FEMALE MATERIAL: PU
- COLOR: BLACK



| PART NO | A    | B<br>HOLE IN<br>CHASSIS | C<br>CHASSIS<br>THICKNESS | PACKAGE |
|---------|------|-------------------------|---------------------------|---------|
| SRU-3F  | 15.1 | ø3.5                    | 16.2~16.8                 | 2000    |

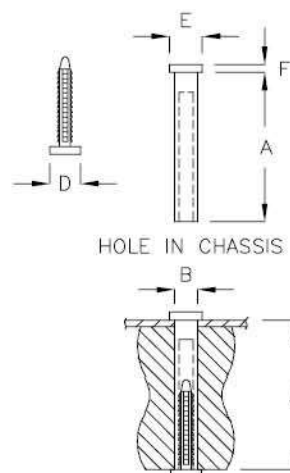




### 鉚釘 MOUNTING BUTTON

5-64-1

- MALE MATERIAL: NYLON 66(UL)
- FLAME CLASS: 94V-2
- FEMALE MATERIAL: PU
- COLOR: BLACK



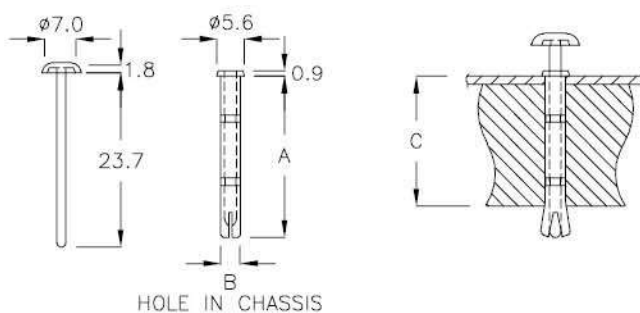
| PART NO | A    | B HOLE IN CHASSIS | C CHASSIS THICKNESS | D    | E    | F   | PACKAGE |
|---------|------|-------------------|---------------------|------|------|-----|---------|
| SRU-3C  | 18.6 | ∅3.4              | 18.8~19.5           | ∅4.4 | ∅4.7 | 1.1 | 2000    |
| SRU-3H  | 26.0 | ∅4.5              | 26.2~26.8           | ∅5.4 | ∅6.0 | 1.1 |         |
| SRU-3J  | 21.0 | ∅4.4              | 21.2~21.8           | ∅6.0 | ∅6.0 | 1.0 |         |
| SRU-3K  | 17.6 | ∅4.2              | 17.8~18.4           | ∅7.4 | ∅7.4 | 1.2 |         |
| SRU-3M  | 15.3 | ∅4.5              | 15.8~16.2           | ∅7.4 | ∅7.4 | 1.2 |         |
| SRU-3ND | 25.5 | ∅4.3              | 25.8~26.3           | ∅6.0 | ∅6.0 | 1.0 |         |
| SRU-3P  | 15.3 | ∅4.1              | 15.8~16.2           | ∅7.4 | ∅7.4 | 1.2 |         |
| SRU-3R  | 23.5 | ∅4.3              | 23.7~24.3           | ∅6.0 | ∅6.0 | 1.0 |         |
| SRU-3T  | 20.4 | ∅3.4              | 21.0~20.6           | ∅4.4 | ∅4.7 | 1.1 |         |



### 鉚釘 MOUNTING BUTTON

5-64-2

- MALE MATERIAL: NYLON 66(UL)
- FEMALE MATERIAL: NYLON 66(UL)
- FLAME CLASS: 94V-2
- COLOR: BLACK



| PART NO | A    | B HOLE IN CHASSIS | C CHASSIS THICKNESS | PACKAGE |
|---------|------|-------------------|---------------------|---------|
| SR-4WY  | 23.5 | ∅4.0              | 20.5~21.5           | 2000    |



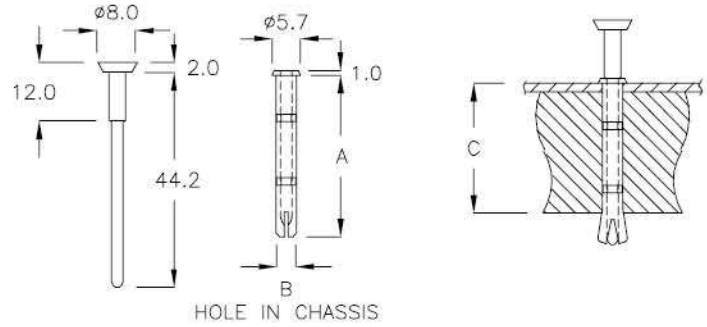


鉚釘 MOUNTING BUTTON

5-65-1

- MALE MATERIAL: NYLON 66(UL)
- FEMALE MATERIAL: NYLON 66(UL)
- FLAME CLASS: 94V-2
- COLOR: BLACK

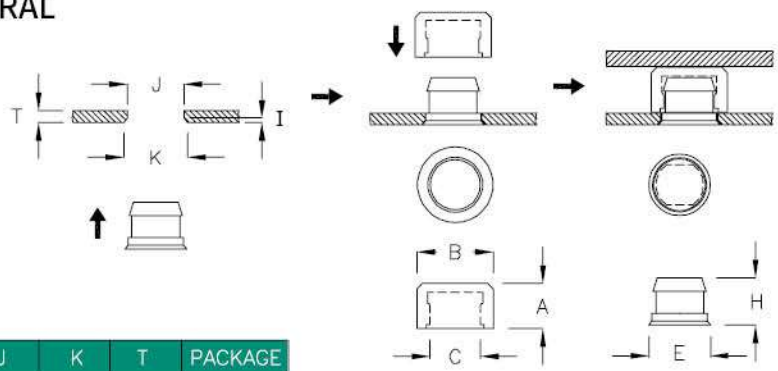
| PART NO | A    | B<br>HOLE IN<br>CHASSIS | C<br>CHASSIS<br>THICKNESS | PACKAGE |
|---------|------|-------------------------|---------------------------|---------|
| SR-4DK  | 33.2 | φ4.0                    | 29.0~30.0                 | 2000    |



固定扣 SNAP LATCH

5-65-2

- MATERIAL: NYLON 66(UL)
- FLAME CLASS: 94V-2
- COLOR: NATURAL



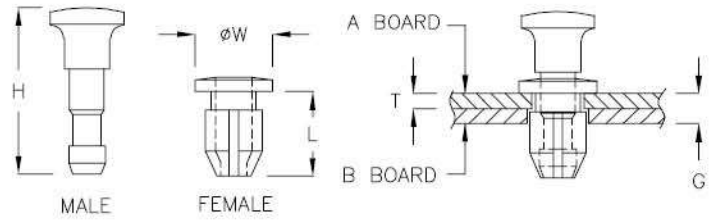
| PART NO | A   | B    | C    | E     | H    | I    | J    | K    | T   | PACKAGE |
|---------|-----|------|------|-------|------|------|------|------|-----|---------|
| LH-013  | 4.0 | φ6.9 | φ4.5 | φ5.6  | 4.2  | 0.6  | 5.1  | 5.8  | 1.2 | 2000    |
| LH-015  | 9.4 | φ8.9 | φ4.5 | φ5.6  | 4.2  | 0.5  | 5.1  | 5.8  | 1.0 |         |
| LH-016  | 5.1 | φ6.9 | φ4.5 | φ5.6  | 4.2  | 0.6  | 5.1  | 5.8  | 1.2 |         |
| LH-017  | 3.6 | φ6.9 | φ4.5 | φ5.6  | 3.5  | 0.6  | 5.1  | 5.8  | 1.2 |         |
| LH-018  | 3.4 | φ6.9 | φ4.5 | φ5.6  | 3.5  | 1.3  | 5.1  | 5.8  | 1.9 |         |
| LH-019  | 3.8 | φ6.9 | φ4.6 | φ5.4  | 4.2  | 0.55 | 4.9  | 5.6  | 1.1 |         |
| LH-021  | 3.0 | φ6.9 | φ4.6 | φ5.6  | 3.4  | 0.6  | 5.15 | 5.8  | 1.2 |         |
| LH-024  | 2.9 | φ6.9 | φ4.5 | φ5.6  | 2.75 | 0.45 | 5.15 | 6.05 | 0.8 |         |
| LH-026  | 4.0 | φ6.9 | φ4.5 | φ5.6  | 3.9  | 0.6  | 5.1  | 5.8  | 0.8 |         |
| LH-027  | 3.3 | φ6.9 | φ4.6 | φ5.95 | 3.3  | 0.66 | 5.1  | 6.6  | 1.0 |         |



### 固定扣 SNAP LATCH

5-66-1

- MALE MATERIAL: NYLON 66(UL)
- FEMALE MATERIAL: PC(UL)
- FLAME CLASS: 94V-2
- COLOR: BLACK



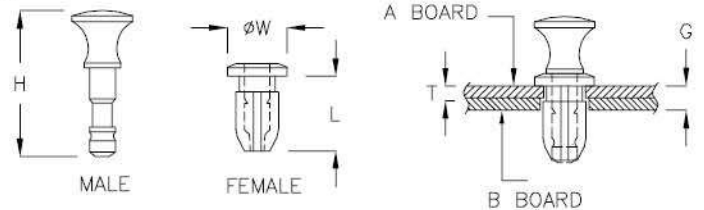
| PART NO | T THICKNESS | G THICKNESS | A HOLE      | B HOLE     | L    | W    | H    | PACKAGE |
|---------|-------------|-------------|-------------|------------|------|------|------|---------|
| LH-01C  | 1.8~2.0     | 3.4~4.8     | $\phi 6.0$  | $\phi 6.4$ | 9.2  | 8.5  | 15.3 | 1000    |
| LH-01D  | 2.1         | 4.1~4.8     | $\phi 6.0$  | $\phi 6.4$ | 9.2  | 8.5  | 18.2 |         |
| LH-01F  | 2.5         | 4.5~4.8     | $\phi 6.25$ | $\phi 6.4$ | 9.6  | 8.5  | 19.3 |         |
| LH-01M  | 1.6         | 2.7~3.6     | $\phi 6.1$  | $\phi 6.4$ | 8.6  | 8.5  | 17.5 |         |
| LH-01P  | 2.0         | 3.6~4.0     | $\phi 6.1$  | $\phi 6.3$ | 9.2  | 8.5  | 17.5 |         |
| LH-1    | 1.8~2.0     | 3.4~4.0     | $\phi 6.0$  | $\phi 6.4$ | 9.2  | 8.5  | 18.2 |         |
| LH-1L   | 3.9         | 7.7~8.2     | $\phi 6.0$  | $\phi 6.4$ | 11.3 | 8.5  | 20.2 | 500     |
| LH-2    | 1.5         | 3.8~4.6     | $\phi 7.6$  | $\phi 8.0$ | 9.9  | 10.8 | 18.2 |         |
| LH-3    | 2.5         | 3.0~5.2     | $\phi 7.6$  | $\phi 8.0$ | 10.4 | 10.8 | 18.7 |         |



### 固定扣 SNAP LATCH

5-66-2

- MALE MATERIAL: NYLON 66(UL)
- FEMALE MATERIAL: PC(UL)
- FLAME CLASS: 94V-2
- COLOR: BLACK



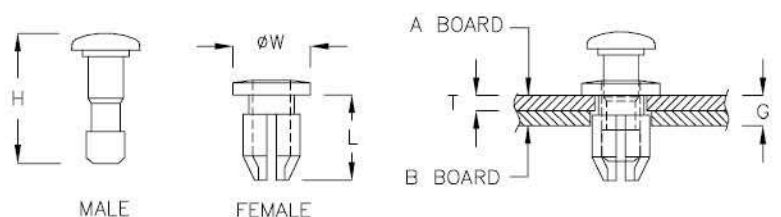
| PART NO | T THICKNESS | G THICKNESS | A HOLE     | B HOLE      | L   | W   | H    | PACKAGE |
|---------|-------------|-------------|------------|-------------|-----|-----|------|---------|
| LH-01H  | 1.5~1.6     | 4.1~4.3     | $\phi 4.6$ | $\phi 4.8$  | 8.1 | 6.5 | 15.9 | 1000    |
| LH-1RK  | 1.5~1.6     | 4.1~4.3     | $\phi 4.6$ | $\phi 4.8$  | 8.1 | 6.5 | 12.9 |         |
| LH-1Q   | 0.8         | 1.6~2.3     | $\phi 6.4$ | $\phi 6.55$ | 6.7 | 8.5 | 16.4 |         |



### 固定扣 SNAP LATCH

5-66-3

- MALE MATERIAL: NYLON 66(UL)
- FEMALE MATERIAL: PC(UL)
- FLAME CLASS: 94V-2
- COLOR: NATURAL, BLACK

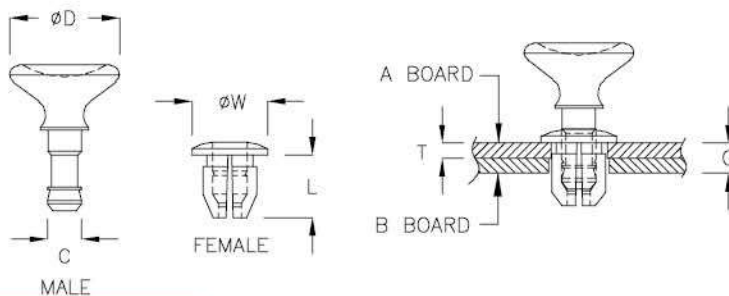


| PART NO | T THICKNESS | G THICKNESS | A HOLE     | B HOLE     | L   | W   | H    | PACKAGE |
|---------|-------------|-------------|------------|------------|-----|-----|------|---------|
| LH-01J  | 1.8~2.0     | 3.4~4.0     | $\phi 6.0$ | $\phi 6.4$ | 9.2 | 8.5 | 14.0 | 1000    |



**固定扣 SNAP LATCH** ————— | 5-67-1 |

- MALE MATERIAL: NYLON 66(UL)
- FEMALE MATERIAL: PC(UL)
- FLAME CLASS: 94V-2
- COLOR: BLACK

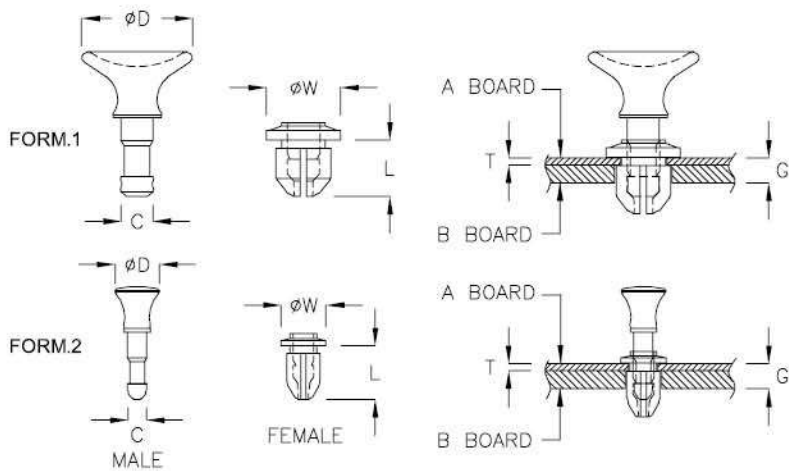


| PART NO | T THICKNESS | G THICKNESS | A HOLE | B HOLE | C   | D    | L   | W    | PACKAGE |
|---------|-------------|-------------|--------|--------|-----|------|-----|------|---------|
| LH-2D   | 1.5         | 3.8~4.6     | ø7.6   | ø8.0   | 4.6 | 15.8 | 9.9 | 10.8 | 500     |
| LH-2C   | 1.6         | 3.4~3.7     | ø7.6   | ø8.0   | 4.5 | 15.6 | 9.0 | 10.9 |         |
| LH-2T   | 1.6         | 3.4~3.7     | ø7.6   | ø8.0   | 4.6 | 15.8 | 9.0 | 10.9 |         |
| LH-04C  | 1.6         | 2.4~3.6     | ø7.6   | ø8.0   | 4.6 | 16.0 | 8.8 | 10.7 |         |
| LH-04D  | 2.4         | 3.5         | ø7.5   | ø8.0   | 5.0 | 16.0 | 9.9 | 10.5 |         |



**固定扣 SNAP LATCH** ————— | 5-67-2 |

- MALE MATERIAL: NYLON 66(UL)
- FEMALE MATERIAL: PC(UL)
- FLAME CLASS: 94V-2
- COLOR: BLACK

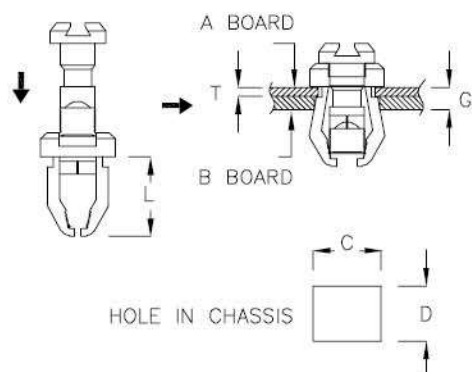


| PART NO | T THICKNESS | G THICKNESS | A HOLE | B HOLE | C   | D    | L   | W    | FORM | PACKAGE |
|---------|-------------|-------------|--------|--------|-----|------|-----|------|------|---------|
| LH-04A  | 1.0         | 2.6~3.0     | ø7.8   | ø8.0   | 4.6 | 16.0 | 8.1 | 10.7 | 1    | 500     |
| LH-4KP  | 1.0         | 2.8~3.8     | ø4.7   | ø4.8   | 2.7 | 6.35 | 7.7 | 6.5  | 2    | 1000    |



**固定扣 SNAP LATCH** ————— | 5-67-3 |

- MATERIAL: PC(UL)
- COLOR: BLACK



| PART NO | T THICKNESS | G THICKNESS | A BOARD HOLE CxD | B BOARD HOLE CxD | L    | PACKAGE |
|---------|-------------|-------------|------------------|------------------|------|---------|
| LH-009  | 1.2         | 2.4~2.7     | 9.0x9.0          | 9.5x9.0          | 12.2 | 200     |

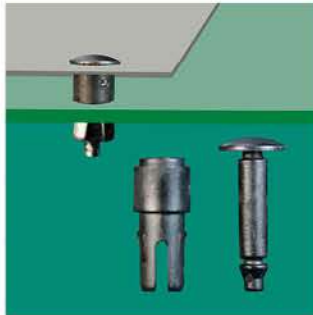
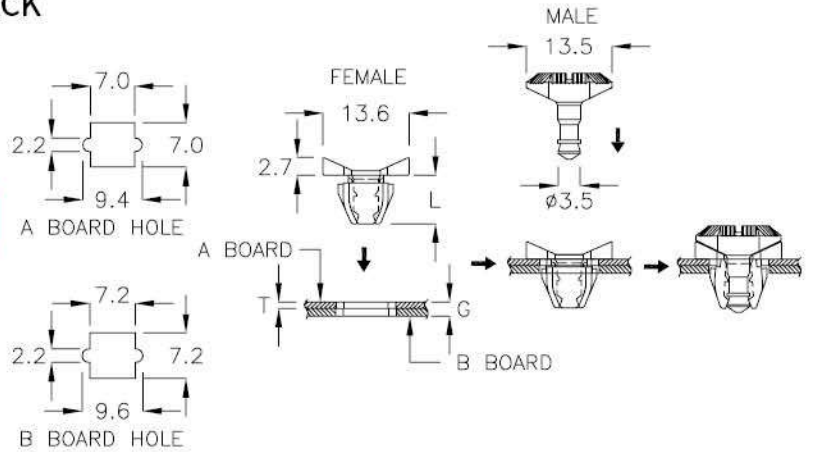


### 固定扣 SNAP LATCH

5-68-1

- MALE MATERIAL: NYLON 66(UL)
- FEMALE MATERIAL: NYLON 66(UL)
- FLAME CLASS: 94V-0
- COLOR: BLACK

| PART NO | T THICKNESS | G THICKNESS | L   | PACKAGE |
|---------|-------------|-------------|-----|---------|
| LHM-7JQ | 1.0         | 2.2         | 7.7 | 500     |

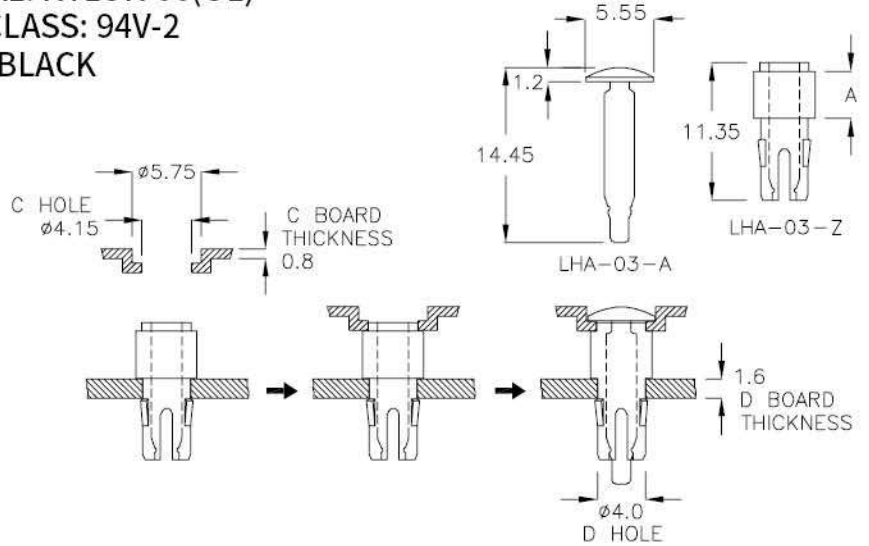


### 固定扣 SNAP LATCH

5-68-2

- MATERIAL: NYLON 66(UL)
- FLAME CLASS: 94V-2
- COLOR: BLACK

| PART NO | A   | PACKAGE |
|---------|-----|---------|
| LHA-03  | 3.9 | 2000    |

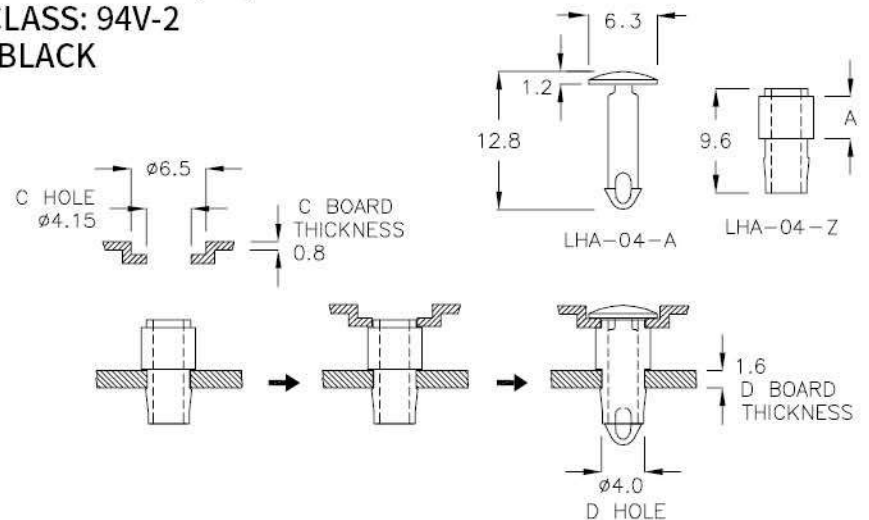


### 固定扣 SNAP LATCH

5-68-3

- MATERIAL: NYLON 66(UL)
- FLAME CLASS: 94V-2
- COLOR: BLACK

| PART NO | A   | PACKAGE |
|---------|-----|---------|
| LHA-04  | 3.9 | 2000    |



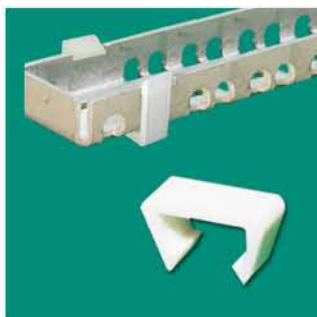
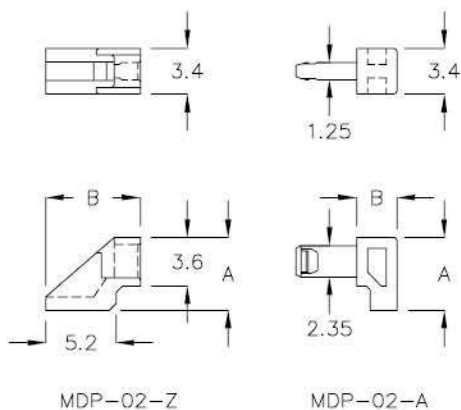
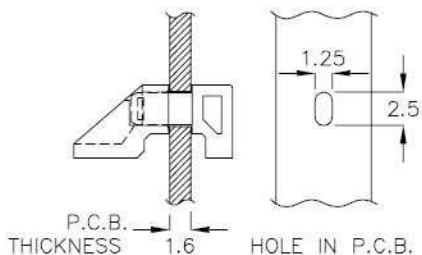


**P.C.B. 固定座 P.C.B. MOUNT**

**5-69-1**

- MATERIAL: NYLON 66(UL)
- FLAME CLASS: 94V-0
- COLOR: NATURAL

| PART NO  | A   | B   | PACKAGE |
|----------|-----|-----|---------|
| MDP-02-A | 5.4 | 3.0 | 2000    |
| MDP-02-Z | 5.4 | 7.0 |         |

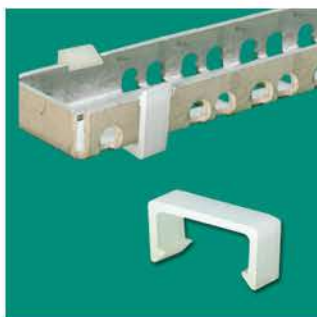
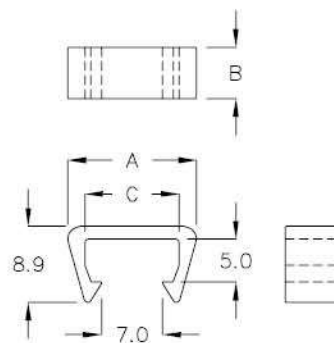


**固定扣 MOUNT**

**5-69-2**

- MATERIAL: NYLON 66(UL)
- FLAME CLASS: 94V-2
- COLOR: NATURAL

| PART NO | A    | B   | C    | PACKAGE |
|---------|------|-----|------|---------|
| LHY-01  | 15.0 | 6.0 | 11.0 | 500     |

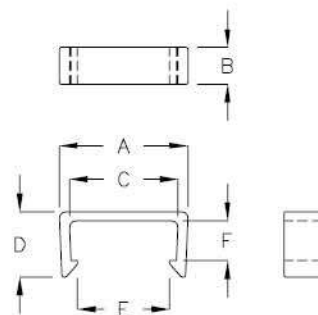


**天線固定扣 MOUNT**

**5-69-3**

- MATERIAL: NYLON 66(UL)
- FLAME CLASS: 94V-2
- COLOR: NATURAL

| PART NO | A    | B   | C     | D    | E    | F   | PACKAGE |
|---------|------|-----|-------|------|------|-----|---------|
| LHY-12  | 12.0 | 7.0 | 9.2   | 6.6  | 7.0  | 2.4 | 2000    |
| LHY-20  | 19.9 | 5.7 | 16.75 | 10.1 | 13.9 | 6.1 | 1000    |



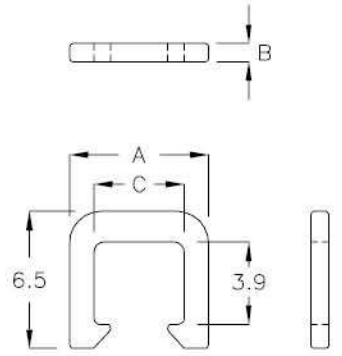


### 固定扣 MOUNT

5-70-1

- MATERIAL: PC(UL)
- FLAME CLASS: 94V-2
- COLOR: CLEAR

| PART NO | A   | B    | C   | PACKAGE |
|---------|-----|------|-----|---------|
| LHG-06M | 6.5 | 0.85 | 4.3 | 1000    |

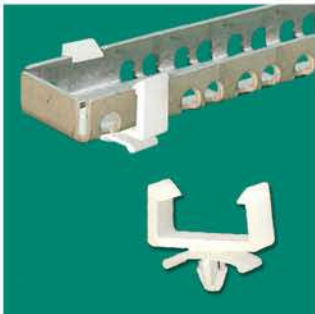
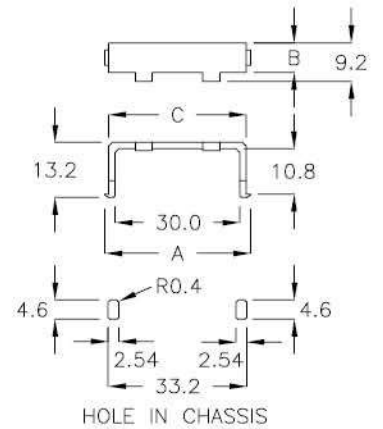


### 固定扣 NIFLATCH

5-70-2

- MATERIAL: NYLON 66(UL)
- FLAME CLASS: 94V-0
- COLOR: NATURAL

| PART NO | A    | B   | C    | PACKAGE |
|---------|------|-----|------|---------|
| LHJ-33C | 35.0 | 7.1 | 33.0 | 500     |

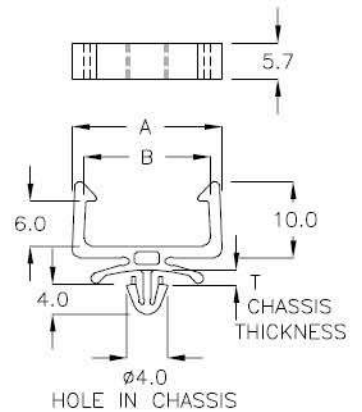


### 天線固定座 MOUNT

5-70-3

- MATERIAL: NYLON 66(UL)
- FLAME CLASS: 94V-2
- COLOR: NATURAL

| PART NO  | A    | B    | T<br>CHASSIS<br>THICKNESS | PACKAGE |
|----------|------|------|---------------------------|---------|
| MRT-19Q  | 19.8 | 16.7 | 1.0~1.5                   | 1000    |
| MRT-19SK | 19.8 | 16.7 | 1.5~2.0                   |         |

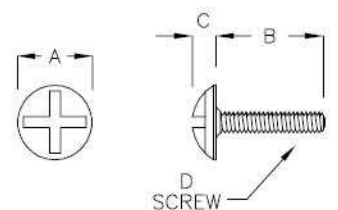


### 塑膠螺絲 PLASTIC SCREW

5-70-4

- MATERIAL: NYLON 66(UL)
- FLAME CLASS: 94V-0
- COLOR: NATURAL
- D: SCREW

| PART NO | A    | B    | C   | D  | PACKAGE |
|---------|------|------|-----|----|---------|
| S-2M10C | φ7.0 | 10.0 | 2.2 | M2 | 2000    |

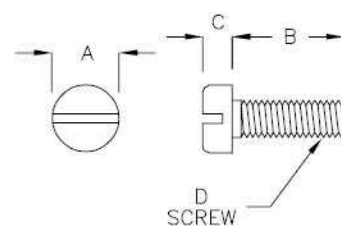




塑膠螺絲 PLASTIC SCREW

5-71-1

- MATERIAL: NYLON 66(UL)
- FLAME CLASS: 94V-2
- COLOR: NATURAL
- D: SCREW



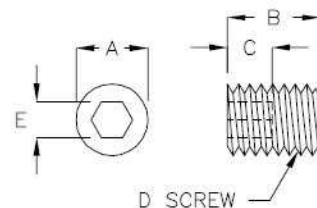
| PART NO | A    | B    | C   | D    | PACKAGE |
|---------|------|------|-----|------|---------|
| S-2M07  | ø4.0 | 6.9  | 1.6 | M2.6 | 2000    |
| S-2M8DK | ø4.0 | 8.2  | 1.8 | M2.6 |         |
| S-2M9A  | ø4.0 | 9.5  | 1.6 | M2.6 |         |
| S-2M10  | ø4.0 | 10.5 | 1.8 | M2.6 |         |



塑膠螺絲 PLASTIC SCREW

5-71-2

- MATERIAL: POM(UL)
- FLAME CLASS: 94HB
- COLOR: NATURAL
- D: SCREW



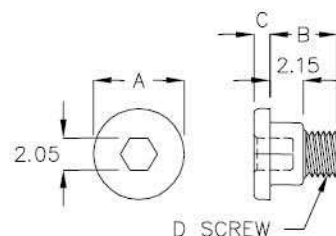
| PART NO | A    | B   | C   | D SCREW | E   | PACKAGE |
|---------|------|-----|-----|---------|-----|---------|
| SU-304  | ø2.9 | 4.0 | 2.5 | M3      | 1.5 | 2000    |
| SU-508  | ø4.8 | 8.8 | 3.0 | M5      | 2.5 |         |



塑膠螺絲 PLASTIC SCREW

5-71-3

- MATERIAL: POM(UL)
- FLAME CLASS: 94HB
- COLOR: BLACK
- D: SCREW



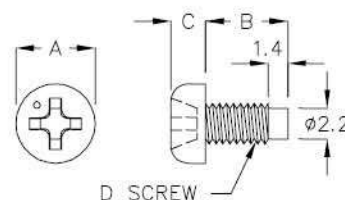
| PART NO | A     | B    | C   | D SCREW | PACKAGE |
|---------|-------|------|-----|---------|---------|
| S-302Y  | ø5.85 | 4.35 | 1.0 | M3      | 2000    |



塑膠螺絲 PLASTIC SCREW

5-71-4

- MATERIAL: PC(UL)
- FLAME CLASS: 94V-2
- COLOR: CLEAR
- D: SCREW
- OPTIONAL MATERIAL: NYLON 66(UL)

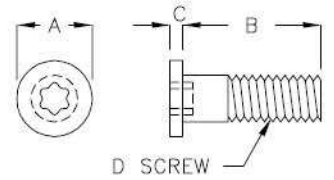


| PART NO | A    | B   | C   | D SCREW | PACKAGE |
|---------|------|-----|-----|---------|---------|
| S-306A  | ø5.7 | 5.9 | 2.5 | M3      | 2000    |



**塑膠螺絲 PLASTIC SCREW 5-72-1**

- MATERIAL: PC(UL)
- FLAME CLASS: 94V-2
- COLOR: CLEAR
- D: SCREW

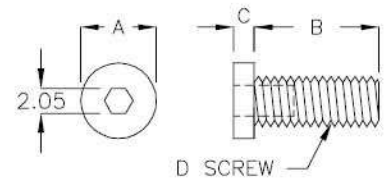


| PART NO | A    | B    | C   | D<br>SCREW | PACKAGE |
|---------|------|------|-----|------------|---------|
| S-410W  | ø6.5 | 9.9  | 1.1 | M4         | 1000    |
| S-412W  | ø6.5 | 11.9 | 1.1 | M4         |         |



**塑膠螺絲 PLASTIC SCREW 5-72-2**

- MATERIAL: NYLON 66(UL)
- FLAME CLASS: 94V-2
- COLOR: CLEAR
- D: SCREW

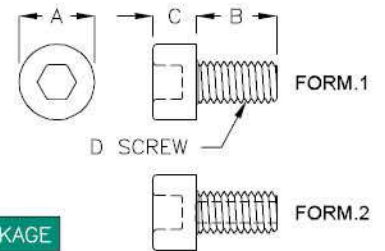


| PART NO | A    | B    | C   | D<br>SCREW | PACKAGE |
|---------|------|------|-----|------------|---------|
| S-410Y  | ø4.9 | 10.2 | 1.0 | M4         | 1000    |



**塑膠螺絲 PLASTIC SCREW 5-72-3**

- MATERIAL: NYLON 66(UL)
- FLAME CLASS: 94V-0
- COLOR: CLEAR, NATURAL
- D: SCREW

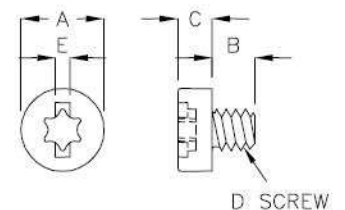


| PART NO  | MATERIAL | A     | B    | C   | D  | FORM | PACKAGE |
|----------|----------|-------|------|-----|----|------|---------|
| SNT-406A | PC       | ø7.0  | 6.0  | 4.0 | M4 | 1    | 1000    |
| SNT-816J | N66      | ø13.0 | 16.0 | 8.0 | M8 | 2    | 500     |



**塑膠螺絲 PLASTIC SCREW 5-72-4**

- MATERIAL: NYLON 66(UL)
- FLAME CLASS: 94V-2
- COLOR: NATURAL
- D: SCREW



| PART NO | A    | B   | C   | D<br>SCREW | E   | PACKAGE |
|---------|------|-----|-----|------------|-----|---------|
| SU6A-3A | ø6.8 | 3.5 | 2.8 | #6-32      | 1.2 | 2000    |
| S-6M2A  | ø8.3 | 2.2 | 2.2 | M6         | 1.0 |         |

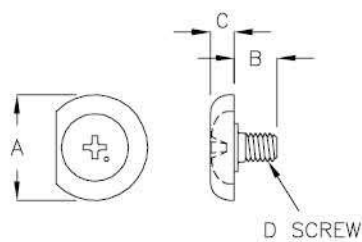




**塑膠螺絲 PLASTIC SCREW**

**5-73-1**

- MATERIAL: NYLON 66(UL)
- FLAME CLASS: 94V-2
- COLOR: CLEAR
- D: SCREW



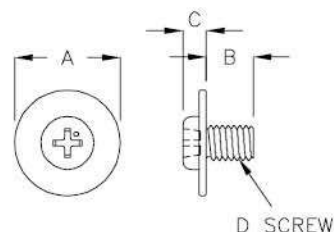
| PART NO | A     | B    | C   | D<br>SCREW | PACKAGE |
|---------|-------|------|-----|------------|---------|
| S-304F  | ø11.0 | 4.45 | 2.5 | M3         | 1000    |



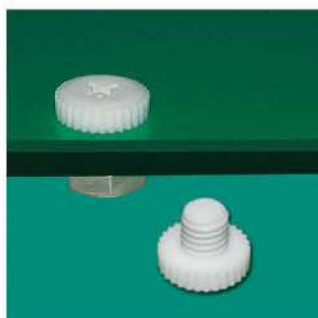
**塑膠螺絲 PLASTIC SCREW**

**5-73-2**

- MATERIAL: NYLON 66(UL)
- FLAME CLASS: 94V-2
- COLOR: NATURAL
- MATERIAL: PPS(UL)
- FLAME CLASS: 94V-0
- COLOR: BLACK
- D: SCREW



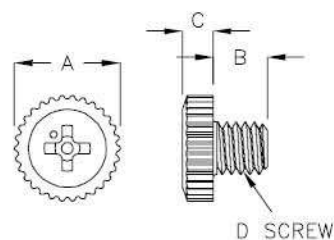
| PART NO | MATERIAL | A     | B   | C   | D<br>SCREW | PACKAGE |
|---------|----------|-------|-----|-----|------------|---------|
| S-4M5P  | N66/PPS  | ø18.0 | 5.0 | 3.0 | M4         | 1000    |
| S-5M6T  | N66/PPS  | ø18.0 | 6.0 | 3.5 | M5         |         |
| S-6M8F  | N66      | ø18.0 | 8.0 | 4.0 | M6         |         |



**塑膠螺絲 PLASTIC SCREW**

**5-73-3**

- MATERIAL: NYLON 66(UL)
- FLAME CLASS: 94V-0
- COLOR: NATURAL
- D: SCREW



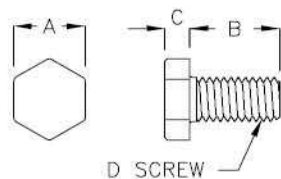
| PART NO   | A     | B   | C   | D<br>SCREW | PACKAGE |
|-----------|-------|-----|-----|------------|---------|
| ★ S-608KT | ø11.5 | 8.0 | 3.3 | M6         | 1000    |
| S-608W    | ø11.5 | 5.9 | 3.3 |            |         |



塑膠螺絲 PLASTIC SCREW

5-74-1

- MATERIAL: PEEK(UL) 、 PPS(UL)
- FLAME CLASS: 94V-0
- COLOR: NATURAL, BLACK
- D: SCREW



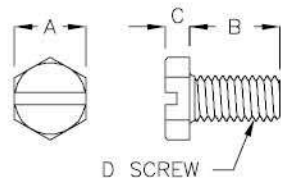
| PART NO | MATERIAL | A   | B    | C   | D SCREW | PACKAGE |
|---------|----------|-----|------|-----|---------|---------|
| SQA-406 | PPS      | 7.0 | 6.0  | 2.4 | M4      | 1000    |
| SQA-408 | PPS      | 7.0 | 8.0  | 2.4 |         |         |
| SQA-410 | PEEK     | 7.0 | 10.0 | 2.4 |         |         |
| SQA-412 | PPS      | 7.0 | 12.0 | 2.4 |         |         |
| SQA-508 | PPS      | 8.0 | 8.0  | 2.8 | M5      |         |
| SQA-510 | PEEK     | 8.0 | 10.0 | 2.8 |         |         |
| SQA-512 | PPS      | 8.0 | 12.0 | 2.8 |         |         |
| SQA-515 | PPS      | 8.0 | 15.0 | 2.8 |         |         |
| SQA-610 | PPS      | 8.0 | 10.0 | 2.8 | M6      |         |
| SQA-612 | PEEK     | 8.0 | 12.0 | 2.8 |         |         |



塑膠螺絲 PLASTIC SCREW

5-74-2

- MATERIAL: NYLON 66(UL)
- FLAME CLASS: 94V-2
- COLOR: NATURAL
- D: SCREW



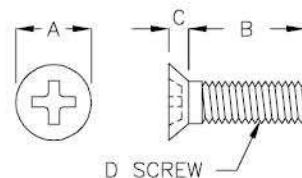
| PART NO  | A   | B    | C    | D SCREW | PACKAGE |
|----------|-----|------|------|---------|---------|
| SUN4-406 | 4.7 | 6.35 | 1.35 | #4-40   | 1000    |
| SUN4-409 | 4.7 | 9.5  | 1.35 |         |         |
| SUN4-412 | 4.7 | 12.7 | 1.35 |         |         |
| SUN4-419 | 4.7 | 19.0 | 1.35 |         |         |
| SUN4-425 | 4.7 | 25.4 | 1.35 |         |         |
| SUN6-606 | 6.2 | 6.35 | 2.25 | #6-32   |         |
| SUN6-609 | 6.2 | 9.5  | 2.25 |         |         |
| SUN6-612 | 6.2 | 12.7 | 2.25 |         |         |
| SUN6-619 | 6.2 | 19.0 | 2.25 |         |         |
| SUN6-625 | 6.2 | 25.4 | 2.25 |         |         |



塑膠螺絲 PLASTIC SCREW

5-75-1

- MATERIAL: PC(UL), NYLON 66(UL)
- FLAME CLASS: 94V-2
- COLOR: CLEAR, NATURAL
- MATERIAL: PEEK(UL), PPS(UL)
- COLOR: NATURAL, BLACK
- D: SCREW



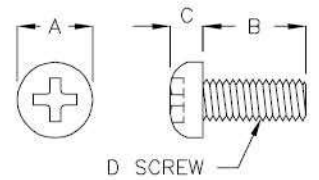
| PART NO  | MATERIAL | A    | B     | C   | D<br>SCREW | PACKAGE |
|----------|----------|------|-------|-----|------------|---------|
| SF-103BD | PEEK     | ø3.2 | 2.0   | 1.2 | M1.6       | 1000    |
| SF-103NT | PEEK     | ø3.2 | 2.5   | 1.2 |            |         |
| SF-104RM | PEEK     | ø3.2 | 3.0   | 1.2 |            |         |
| SF-104WK | PEEK     | ø3.2 | 3.5   | 1.2 |            |         |
| SF-105DP | PEEK     | ø3.2 | 4.0   | 1.2 |            |         |
| SF-205   | PC/N66   | ø3.8 | 3.3   | 1.2 | M2         | 1000    |
| SF-304   | N66      | ø6.0 | 2.3   | 1.7 | M3         | 2000    |
| SF-306   | PC/N66   | ø5.4 | 4.6   | 1.4 | M3         | 1000    |
| SF-308   | PC/N66   | ø5.8 | 6.4   | 1.5 |            |         |
| SF-310   | PC/N66   | ø5.5 | 9.0   | 1.2 |            |         |
| SF-312   | PC/N66   | ø5.1 | 10.8  | 1.4 |            |         |
| SF-314   | PC       | ø5.6 | 12.8  | 1.4 |            |         |
| SF-406   | PC       | ø7.4 | 3.8   | 2.4 | M4         | 1000    |
| SF-408   | PC/N66   | ø7.4 | 5.8   | 2.4 |            |         |
| SF-410   | PC       | ø7.6 | 7.9   | 2.1 | M4         | 500     |
| SF-412   | PC       | ø7.4 | 9.8   | 2.4 | M4         | 1000    |
| SF-414   | PC/PPS   | ø7.4 | 11.6  | 2.4 |            |         |
| SF-416   | PC/N66   | ø7.4 | 13.8  | 2.4 |            |         |
| SF-417   | PC/PPS   | ø7.4 | 14.6  | 2.4 |            |         |
| SF-418   | PC/PPS   | ø7.4 | 15.6  | 2.4 |            |         |
| SF-511   | PC       | ø9.2 | 8.2   | 2.5 | M5         |         |
| SF-513   | PC       | ø9.1 | 10.2  | 2.5 |            |         |
| SF-515   | PC       | ø9.2 | 12.2  | 2.5 |            |         |
| SF-517   | PC/PPS   | ø9.1 | 14.5  | 2.5 |            |         |
| SF-518   | PC/PPS   | ø9.1 | 15.5  | 2.5 |            |         |
| SF-520   | PC/PPS   | ø9.1 | 20.0  | 2.5 |            |         |
| SN4-12   | PC/N66   | ø5.6 | 10.55 | 2.1 | #4-40      |         |



塑膠螺絲 PLASTIC SCREW

5-76-1

- MATERIAL: PC(UL), NYLON 66(UL)
- FLAME CLASS: 94V-2
- COLOR: CLEAR, NATURAL
- MATERIAL: PEEK(UL), PPS(UL), PEI
- COLOR: NATURAL, BLACK
- D: SCREW



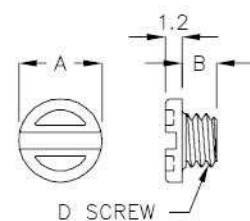
| PART NO | MATERIAL | A    | B    | C   | D<br>SCREW | PACKAGE |
|---------|----------|------|------|-----|------------|---------|
| S-102LM | PEEK     | ø3.0 | 2.0  | 1.2 | M1.6       | 2000    |
| S-102SY | PEEK     | ø3.0 | 2.5  | 1.2 |            |         |
| S-103FC | PEEK     | ø3.8 | 3.17 | 1.2 |            |         |
| S-103A  | PC/N66   | ø3.8 | 3.3  | 1.2 |            |         |
| S-103YJ | PEEK     | ø3.0 | 3.5  | 1.2 |            |         |
| S-104KP | PEEK     | ø3.0 | 4.0  | 1.2 |            |         |
| S-104QH | PEEK     | ø3.8 | 4.76 | 1.2 |            |         |
| S-105K  | PC/N66   | ø3.0 | 4.95 | 1.0 |            |         |
| S-106   | PC/N66   | ø3.8 | 6.0  | 1.2 |            |         |
| S-107WK | PEEK     | ø3.8 | 7.94 | 1.2 |            |         |
| S-2M3P  | PC       | ø3.5 | 3.0  | 1.3 | M2.0       | 1000    |
| S-2M4K  | PC/N66   | ø6.0 | 4.5  | 2.5 |            |         |
| S-2M6A  | PC/N66   | ø3.5 | 6.5  | 1.3 |            |         |
| S-2M08  | PC/N66   | ø3.5 | 8.0  | 1.3 |            |         |
| S-2M10A | PC       | ø5.7 | 10.0 | 2.5 |            |         |
| S-2AM11 | PC/N66   | ø4.3 | 11.0 | 1.6 | M2.5       |         |
| S-2M05  | PC/N66   | ø5.7 | 5.0  | 2.8 | M2.6       |         |
| S-2M06  | PC/N66   | ø5.7 | 6.0  | 2.8 |            |         |
| S-304C  | PC/N66   | ø5.7 | 4.0  | 2.5 | M3         |         |
| S-305A  | PC/N66   | ø5.7 | 5.0  | 2.5 | M3         |         |
| S-306MK | PC/N66   | ø5.7 | 6.0  | 1.2 |            |         |
| S-306   | PC/N66   | ø5.7 | 6.3  | 2.5 |            |         |
| S-308   | PC/N66   | ø5.7 | 8.0  | 2.5 |            |         |
| S-310   | PC/N66   | ø5.7 | 10.0 | 2.5 |            |         |
| S-312   | PC/N66   | ø5.7 | 12.1 | 2.5 |            |         |
| S-315   | PC/N66   | ø5.7 | 15.1 | 2.5 |            |         |
| S-318FK | PEI      | ø5.7 | 18.0 | 2.5 |            |         |
| S-318   | PC       | ø5.7 | 18.3 | 2.5 |            |         |
| S-320   | PEI      | ø5.7 | 20.0 | 2.5 |            |         |

| PART NO | MATERIAL | A    | B    | C   | D<br>SCREW | PACKAGE |    |
|---------|----------|------|------|-----|------------|---------|----|
| S-406   | PC/N66   | ø7.4 | 6.3  | 2.7 | M4         | 1000    |    |
| S-408   | PC/N66   | ø7.4 | 8.0  | 2.8 |            |         |    |
| S-410   | PC/N66   | ø7.5 | 10.2 | 2.6 |            |         |    |
| S-412   | PC/N66   | ø7.4 | 12.2 | 2.7 |            |         |    |
| S-414   | PC/N66   | ø7.5 | 14.2 | 2.7 |            |         |    |
| S-416   | PC/N66   | ø7.4 | 16.2 | 2.7 |            |         |    |
| S-420   | PC/N66   | ø7.4 | 20.0 | 2.8 |            |         |    |
| S-425   | PC/PPS   | ø7.5 | 25.0 | 2.7 |            |         |    |
| S-510   | PC/N66   | ø9.1 | 10.2 | 3.5 |            |         | M5 |
| S-512   | PC/N66   | ø9.1 | 12.2 | 3.5 |            |         |    |
| S-516   | PC       | ø9.1 | 16.1 | 3.5 |            |         |    |
| S-520   | PC       | ø9.1 | 20.2 | 3.6 |            |         |    |
| S-525   | PC/PPS   | ø9.1 | 25.0 | 3.5 | M6         | 2000    |    |
| S-530   | PC/PPS   | ø9.1 | 30.0 | 3.5 |            |         |    |
| S-605   | PC/N66   | ø9.0 | 4.1  | 3.3 |            |         |    |
| S-606   | PC/PPS   | ø9.0 | 6.0  | 3.3 |            |         |    |
| S-608   | PC/PPS   | ø9.0 | 8.0  | 3.3 |            |         |    |
| S-610   | PC/PPS   | ø9.0 | 10.0 | 3.3 |            |         |    |
| S-612   | PC/PPS   | ø9.0 | 12.0 | 3.3 |            |         |    |
| S-615   | PC/PPS   | ø9.0 | 15.0 | 3.3 |            |         |    |
| S-618   | PC/PPS   | ø9.0 | 18.0 | 3.3 |            |         |    |
| S-620   | PC/PPS   | ø9.0 | 20.0 | 3.3 |            |         |    |
| SU2-12A | PC/N66   | ø4.2 | 12.7 | 1.5 | #2-56      |         |    |
| SU6-06  | PC/N66   | ø6.9 | 6.4  | 2.5 | #6-32      |         |    |



**塑膠螺絲 PLASTIC SCREW** | 5-77-1 |

- MATERIAL: NYLON 66(UL)
- FLAME CLASS: 94V-2
- COLOR: NATURAL
- MATERIAL: PPS(UL)
- FLAME CLASS: 94V-0
- COLOR: BLACK
- D: SCREW

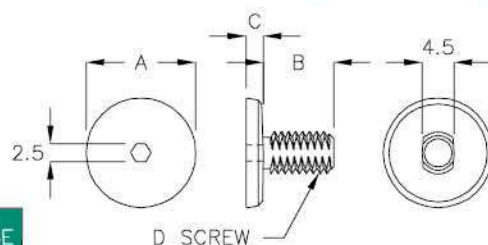


| PART NO | MATERIAL | A     | B   | D SCREW | PACKAGE |
|---------|----------|-------|-----|---------|---------|
| S-4M2D  | PPS      | ø6.0  | 2.5 | M4      | 2000    |
| S-5M2K  | PPS      | ø7.0  | 2.8 | M5      |         |
| S-6M02  | N66      | ø8.0  | 2.1 | M6      |         |
| S-8M03  | PPS      | ø10.0 | 3.0 | M8      |         |



**塑膠螺絲 PLASTIC SCREW** | 5-77-2 |

- MATERIAL: ABS+PC
- COLOR: BLACK
- D: SCREW

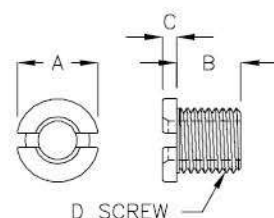


| PART NO | A     | B    | C   | D SCREW | PACKAGE |
|---------|-------|------|-----|---------|---------|
| S-610TY | ø15.6 | 10.0 | 2.5 | M6      | 1000    |



**塑膠螺絲 PLASTIC SCREW** | 5-77-3 |

- MATERIAL: NYLON 66(UL)
- FLAME CLASS: 94V-0
- COLOR: NATURAL
- D: SCREW

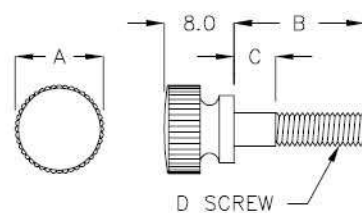


| PART NO | A   | B   | C   | D SCREW | PACKAGE |
|---------|-----|-----|-----|---------|---------|
| S-7M06  | 8.8 | 6.8 | 1.5 | M7      | 1000    |



**塑膠螺絲 PLASTIC SCREW** | 5-77-4 |

- MATERIAL: NYLON 66(UL)
- FLAME CLASS: 94V-2
- COLOR: BLACK
- D: SCREW



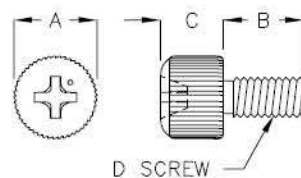
| PART NO | A     | B    | C   | D SCREW | PACKAGE |
|---------|-------|------|-----|---------|---------|
| S-318C  | ø9.0  | 10.0 | 2.0 | M3      | 1000    |
| S-423C  | ø10.4 | 15.0 | 5.0 | M4      |         |
| S-523C  | ø10.6 | 15.1 | 5.0 | M5      |         |
| S-626C  | ø10.5 | 18.0 | 5.0 | M6      |         |



螺絲 SCREW

5-78-1

- MATERIAL: ABS+PC
- COLOR: GRAY
- SCREW MATERIAL: ALLOY BRASS
- D: SCREW



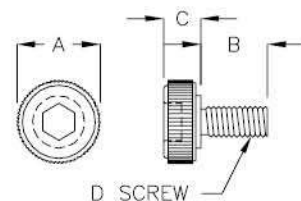
| PART NO | A    | B   | C   | D SCREW | PACKAGE |
|---------|------|-----|-----|---------|---------|
| SW4-08  | ø8.3 | 8.0 | 6.4 | M4      | 500     |



螺絲 SCREW

5-78-2

- MATERIAL: ABS+PC
- COLOR: GRAY
- SCREW MATERIAL: ALLOY BRASS
- D: SCREW



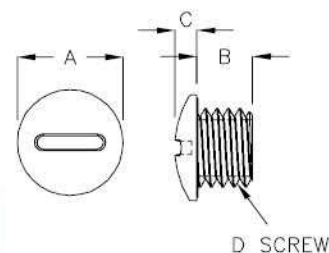
| PART NO | A     | B    | C   | D SCREW | PACKAGE |
|---------|-------|------|-----|---------|---------|
| SW5-16  | ø12.8 | 10.3 | 5.7 | M5      | 500     |



螺旋塞環 SCREW PLUG

5-78-3

- MATERIAL: NYLON 66 (UL)
- FLAME CLASS: 94V-2
- COLOR: BLACK
- D: SCREW

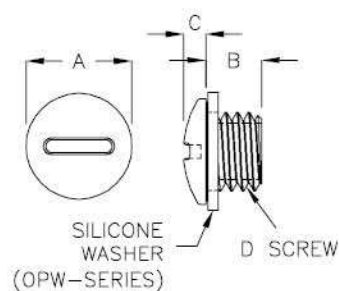


| PART NO   | A      | B    | C    | D SCREW     | PACKAGE |
|-----------|--------|------|------|-------------|---------|
| SM-UNEF58 | ø23.5  | 8.0  | 3.5  | 5/8"-24UNEF | 200     |
| SM-PF12   | ø26.3  | 8.1  | 3.5  | PF1/2"      |         |
| SM-M8     | ø12.0  | 8.5  | 2.4  | M8          | 1000    |
| SM-M10    | ø14.0  | 8.5  | 2.4  | M10         |         |
| SM-M12    | ø16.15 | 8.5  | 3.35 | M12         |         |
| SM-M12AC  | ø16.15 | 8.5  | 3.35 | M12         |         |
| SM-M16    | ø20.2  | 8.0  | 3.45 | M16         | 200     |
| SM-M20    | ø25.5  | 7.95 | 3.6  | M20         |         |
| SM-M20A   | ø25.5  | 6.0  | 3.6  | M20         |         |
| SM-M25    | ø30.3  | 8.45 | 3.55 | M25         |         |



### 防水螺旋塞環 WATERPROOF PLUG 5-79-1

- MATERIAL: NYLON 66 (UL)
- FLAME CLASS: 94V-2
- COLOR: BLACK
- D: SCREW
- WATERPROOF PROVE: IP67



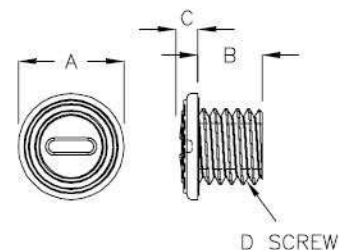
| PART NO      | A      | B    | C    | D SCREW     | ASSEMBLE WITH P.G. PART | PACKAGE |
|--------------|--------|------|------|-------------|-------------------------|---------|
| SM-UNEF58-X  | ø23.5  | 8.0  | 3.5  | 5/8"-24UNEF | WSR-22AP                | 200     |
| SM-PF12-X    | ø26.3  | 8.1  | 3.5  | PF1/2"      | OPW-20                  |         |
| SM-M8-X      | ø12.0  | 8.5  | 2.4  | M8          | OPW-7A                  | 1000    |
| SM-M10-X     | ø14.0  | 8.5  | 2.4  | M10         | OPW-9CD                 |         |
| SM-M12-X     | ø16.15 | 8.5  | 3.35 | M12         | WSR-11RM                |         |
| ★ SM-M12AC-X | ø16.15 | 8.5  | 3.35 | M12         | WSR-11RM                |         |
| SM-M16-X     | ø20.2  | 8.0  | 3.45 | M16         | OPW-15D                 | 200     |
| SM-M20-X     | ø25.5  | 7.95 | 3.6  | M20         | OPW-19M                 |         |
| SM-M20A-X    | ø25.5  | 6.0  | 3.6  | M20         | OPW-19M                 |         |
| SM-M25-X     | ø30.3  | 8.45 | 3.55 | M25         | OPW-24A                 |         |

ASSEMBLE WITH P.G. PART OPW-SERIES, WSR-SERIES (Page 8-34)



### 螺旋塞環 SCREW PLUG 5-79-2

- MATERIAL: NYLON 66 (UL)
- FLAME CLASS: 94V-2
- COLOR: NATURAL
- D: SCREW

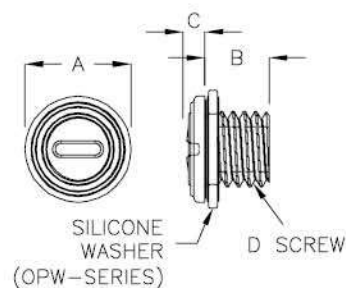


| PART NO  | A     | B   | C   | D SCREW | PACKAGE |
|----------|-------|-----|-----|---------|---------|
| SM-M10TC | ø14.0 | 8.5 | 2.4 | M10     | 1000    |



### 防水螺旋塞環 WATERPROOF PLUG 5-79-3

- MATERIAL: NYLON 66 (UL)
- FLAME CLASS: 94V-2
- COLOR: NATURAL
- D: SCREW
- WATERPROOF PROVE: IP67



| PART NO    | A     | B   | C   | D SCREW | ASSEMBLE WITH P.G. PART | PACKAGE |
|------------|-------|-----|-----|---------|-------------------------|---------|
| SM-M10TC-X | ø14.0 | 8.5 | 2.4 | M10     | OPW-9CD                 | 1000    |

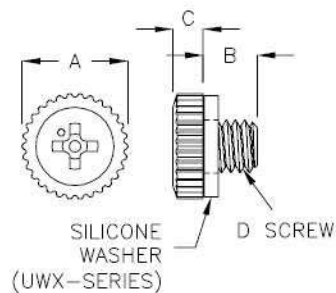
ASSEMBLE WITH P.G. PART OPW-SERIES (Page 8-34-1)



### 塑膠螺絲 PLASTIC SCREW

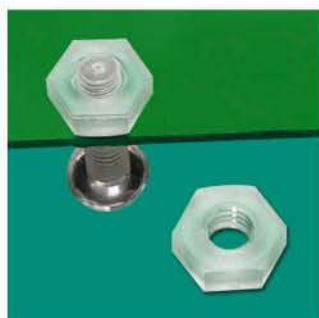
5-80-1

- MATERIAL: NYLON 66(UL)
- FLAME CLASS: 94V-0
- COLOR: NATURAL
- D: SCREW



| PART NO     | A     | B   | C   | D SCREW | ASSEMBLE WITH P.G. PART | PACKAGE |
|-------------|-------|-----|-----|---------|-------------------------|---------|
| ★ S-608KT-X | ø11.5 | 8.0 | 3.3 | M6      | UWX-11                  | 1000    |
| S-608W-X    | ø11.5 | 5.9 | 3.3 |         |                         |         |

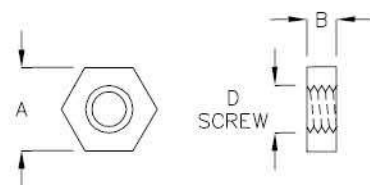
ASSEMBLE WITH P.G. PART UWX-SERIES (Page 8-34-3)



### 塑膠螺帽 PLASTIC NUT

5-80-2

- MATERIAL: PC(UL)
- FLAME CLASS: 94V-2
- COLOR: NATURAL
- MATERIAL: NYLON 66(UL)
- FLAME CLASS: 94V-2
- COLOR: NATURAL, BLACK
- D: SCREW



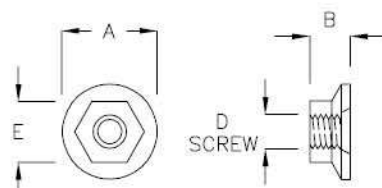
| PART NO  | MATERIAL | A    | B    | D SCREW | PACKAGE |
|----------|----------|------|------|---------|---------|
| S-2M     | PC/N66   | 5.0  | 2.4  | M2.6    | 1000    |
| S-2MD    | PC       | 5.0  | 1.9  | M2.6    |         |
| S-3M     | PC/N66   | 5.4  | 2.5  | M3      |         |
| S-4M     | PC/N66   | 8.0  | 3.2  | M4      |         |
| S-5M     | PC/N66   | 8.0  | 4.4  | M5      |         |
| S-7M     | N66      | 10.2 | 3.95 | M7x0.75 |         |
| ★ S-8MG  | N66      | 13.0 | 4.8  | M8      | 500     |
| S-12M    | N66      | 18.0 | 5.1  | M12x1.5 | 1000    |
| UN4-40AN | N66      | 4.75 | 2.54 | #4-40   |         |
| UN4-40DK | N66      | 6.35 | 2.54 | #4-40   |         |
| UN6-32   | PC/N66   | 6.2  | 2.5  | #6-32   |         |
| UN6-32BP | N66      | 6.35 | 3.05 | #6-32   |         |
| UN6-32RT | N66      | 7.75 | 3.05 | #6-32   |         |



### 塑膠螺帽 PLASTIC NUT

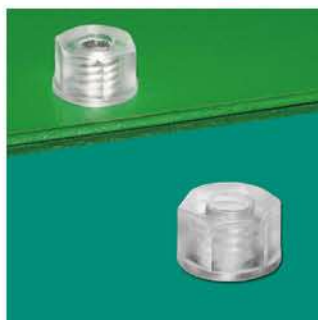
5-80-3

- MATERIAL: NYLON 66(UL)
- FLAME CLASS: 94V-2
- COLOR: NATURAL
- D: SCREW



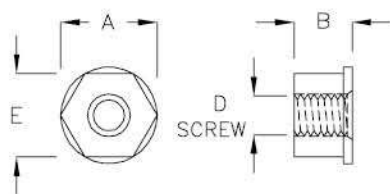
| PART NO | A     | B   | D  | E   | PACKAGE |
|---------|-------|-----|----|-----|---------|
| S-3MF   | ø8.5  | 3.2 | M3 | 5.4 | 1000    |
| S-4MF   | ø10.0 | 4.0 | M4 | 6.9 |         |
| S-5MF   | ø11.0 | 5.0 | M5 | 7.9 |         |





塑膠螺帽 PLASTIC NUT ————— 5-81-1

- MATERIAL: PC(UL)
- FLAME CLASS: 94V-2
- COLOR: CLEAR
- D: SCREW

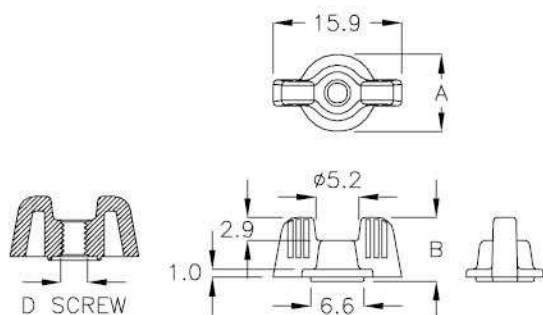


| PART NO | A      | B    | D      | E    | PACKAGE |
|---------|--------|------|--------|------|---------|
| UN10-24 | ø10.55 | 6.35 | #10-24 | 9.15 | 1000    |



塑膠螺帽 PLASTIC NUT ————— 5-81-2

- MATERIAL: NYLON 66(UL)
- FLAME CLASS: 94V-2
- COLOR: NATURAL
- D: SCREW

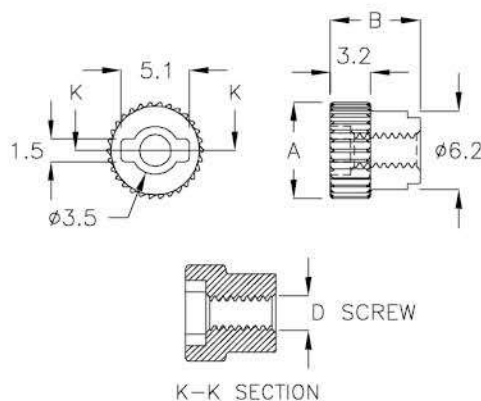


| PART NO  | A     | B   | D     | PACKAGE |
|----------|-------|-----|-------|---------|
| SMA4-40C | ø9.55 | 7.9 | #4-40 | 1000    |
| SMA6-32F | ø9.55 | 7.9 | #6-32 |         |



塑膠螺帽 PLASTIC NUT ————— 5-81-3

- MATERIAL: NYLON 66(UL)
- FLAME CLASS: 94V-2
- COLOR: NATURAL
- D: SCREW



| PART NO  | A    | B   | D     | PACKAGE |
|----------|------|-----|-------|---------|
| SMC4-40D | ø7.6 | 7.1 | #4-40 | 1000    |

# 06

## 線材隔離 SADDLES



## 線材固定 CABLE CLAMPS

# 如何使用膠帶程序

# 06

## 準備安裝表面：

為了獲得最佳黏著效果，請將膠帶固定座貼在清潔、乾燥、無油的表面上。貼上前請務必清潔黏合表面，請用水 1:1 稀釋的異丙醇混合液擦拭表面後，待表面完全乾燥。

## 如何正確安裝膠帶：

若要正確安裝及使用膠帶固定座，請先移除離型紙後將固定座放置到位，平均施以約 15psi(1.05kg/cm<sup>2</sup>) 之壓力按壓以獲得有效貼合。

## 理想施工溫度：

溫度介於在 15°C 至 38°C 之間，勿低於 10°C。



1) 用乾淨的布並用稀釋的異丙醇混合液擦拭清潔表面



2) 待表面完全乾燥



3) 請先移除離型紙後將其固定座放置到位，平均施以 15psi(1.05Kg/cm<sup>2</sup>) 之壓力按壓以獲得有效貼合，溫度介於在 15°C 至 38°C 之間，勿低於 10°C



4) 等待一段時間直至貼合強度穩定

## 膠帶保存：

膠帶固定座儲存環境為 21°C 和 50% 相對濕度，避免因未確實密封及開放包裝，會有背膠黃化現象。

如果儲存條件（環境）與建議條件不同，可能會縮短保質期並導致黏合強度下降。我們持續提高產品可靠性，但錯誤使用可能會造成損壞，如果您對產品的正確使用有任何疑問 / 疑慮，請諮詢我們。

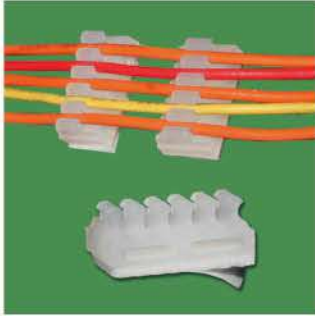
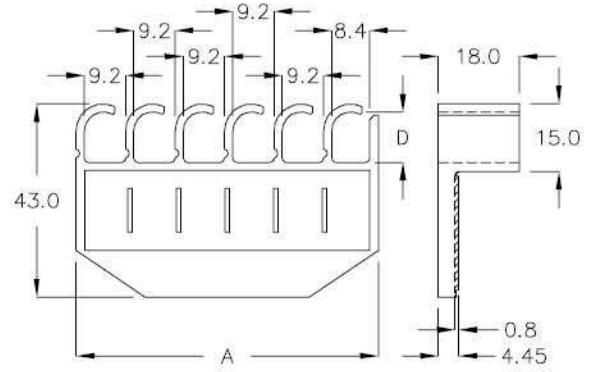


### 電線固定板 WIRE MOUNT

6-2-1

- MATERIAL: NYLON 66(UL)
- FLAME CLASS: 94V-2
- COLOR: NATURAL
- ADHESIVE TAPE: 3M

| PART NO | A    | D    | PACKAGE |
|---------|------|------|---------|
| 6FW-10  | 67.2 | 11.0 | 50      |

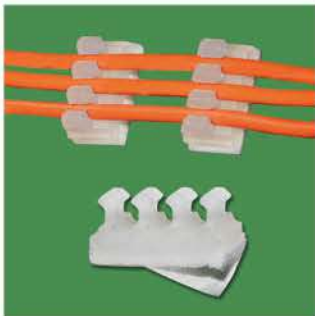
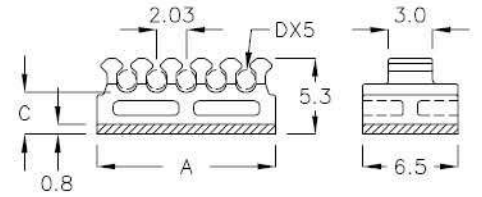


### 電線固定座 WIRE MOUNT

6-2-2

- MATERIAL: NYLON 66(UL)
- FLAME CLASS: 94V-2
- COLOR: NATURAL
- ADHESIVE TAPE: 3M

| PART NO | A    | C   | D    | PACKAGE |
|---------|------|-----|------|---------|
| CMX-12A | 12.2 | 3.0 | ∅1.3 | 2000    |

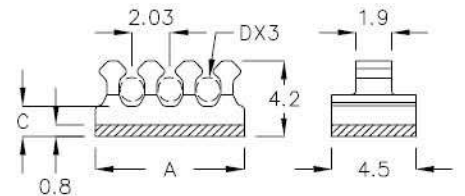


### 電線固定座 WIRE MOUNT

6-2-3

- MATERIAL: NYLON 66(UL)
- FLAME CLASS: 94V-2
- COLOR: NATURAL
- ADHESIVE TAPE: 3M

| PART NO | A   | C   | D    | PACKAGE |
|---------|-----|-----|------|---------|
| CMR-8D  | 8.1 | 1.8 | ∅1.3 | 2000    |

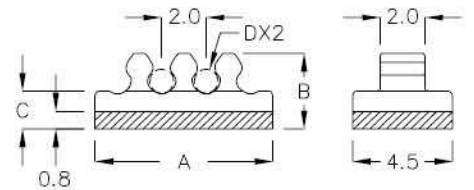


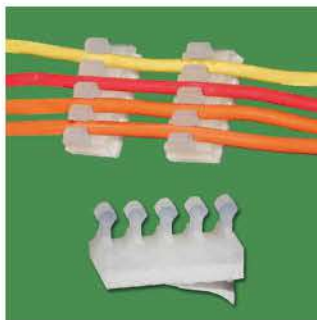
### 電線固定座 WIRE MOUNT

6-2-4

- MATERIAL: NYLON 66(UL)
- FLAME CLASS: 94V-2
- COLOR: BLACK
- ADHESIVE TAPE: 3M

| PART NO | A   | B   | C   | D     | PACKAGE |
|---------|-----|-----|-----|-------|---------|
| CMR-6TH | 6.1 | 4.2 | 1.8 | ∅1.3  | 2000    |
| CMR-8AT | 8.0 | 3.4 | 1.7 | ∅1.0  |         |
| CMR-8KF | 8.1 | 4.2 | 1.8 | ∅1.38 |         |



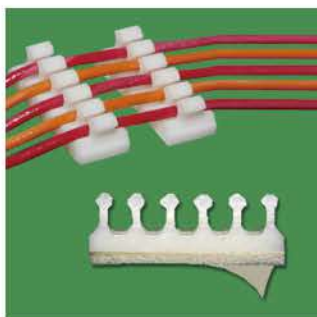
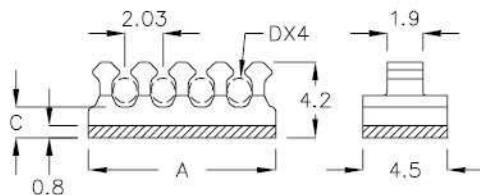


電線固定座 WIRE MOUNT

6-3-1

- MATERIAL: NYLON 66(UL)
- FLAME CLASS: 94V-2
- COLOR: NATURAL
- ADHESIVE TAPE: 3M

| PART NO  | A    | C   | D    | PACKAGE |
|----------|------|-----|------|---------|
| CMR-10FK | 10.0 | 1.8 | ∅1.3 | 2000    |

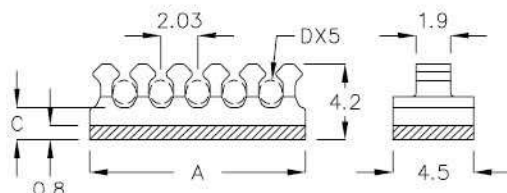


電線固定座 WIRE MOUNT

6-3-2

- MATERIAL: NYLON 66(UL)
- FLAME CLASS: 94V-2
- COLOR: NATURAL
- ADHESIVE TAPE: 3M

| PART NO  | A    | C   | D    | PACKAGE |
|----------|------|-----|------|---------|
| CMR-12QW | 12.0 | 1.8 | ∅1.3 | 2000    |

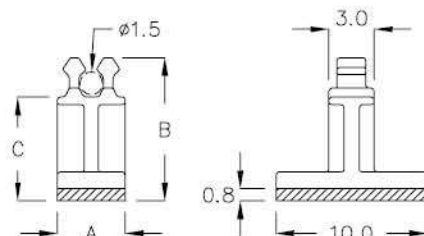


電線固定座 WIRE MOUNT

6-3-3

- MATERIAL: NYLON 66(UL)
- FLAME CLASS: 94V-2
- COLOR: NATURAL
- ADHESIVE TAPE: 3M

| PART NO  | A   | B    | C    | PACKAGE |
|----------|-----|------|------|---------|
| CMY-10CT | 4.5 | 9.45 | 6.85 | 1000    |
| CMY-10A  | 4.5 | 10.2 | 7.6  |         |

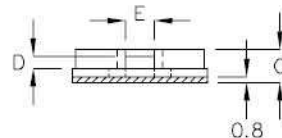
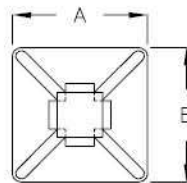




### 束線固定板 ADHESIVE BACKED MOUNT

- MATERIAL: NYLON 66(UL)
- FLAME CLASS: 94V-2
- COLOR: NATURAL
- ADHESIVE TAPE: 3M

6-4-1



| PART NO | A    | B    | C   | D   | E   | ASSEMBLE WITH P.C. PART                        | PACKAGE |
|---------|------|------|-----|-----|-----|--|---------|
| AB-2S   | 13.0 | 13.0 | 4.8 | 2.1 | 2.8 | YJ-80, YJ-90, YJ-98<br>YJ-100, YJ-120, YJ-142S | 1000    |
| AB-2    | 19.0 | 19.0 | 4.7 | 1.7 | 3.8 | YJ-160, YJ-203S                                | 500     |

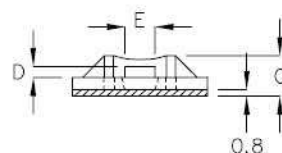
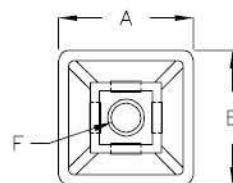
ASSEMBLE WITH P.G PART YJ-SERIES (Page 12-2-1)  
MUST BE ASSEMBLED WITH CABLE TIE, WIDTH UP TO 2.6mm



### 束線固定板 ADHESIVE BACKED MOUNT

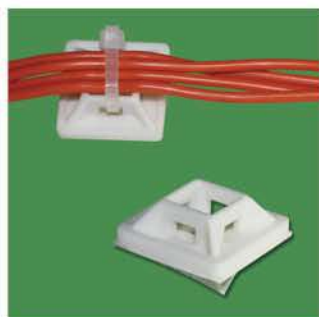
- MATERIAL: NYLON 66(UL)
- FLAME CLASS: 94V-2
- COLOR: NATURAL
- ADHESIVE TAPE: 3M
- ALSO CAN BE FASTENED WITH M3 COUNTERSUNK SCREW

6-4-2



| PART NO | A    | B    | C   | D   | E   | F    | ASSEMBLE WITH P.C. PART  | PACKAGE |
|---------|------|------|-----|-----|-----|------|--|---------|
| AB-3S   | 19.8 | 19.8 | 6.4 | 1.6 | 4.3 | ø4.4 | YJ-80, YJ-90, YJ-98<br>YJ-100, YJ-120, YJ-142<br>YJ-142S, YJ-156, YJ-160 | 500     |
| AB-3    | 28.3 | 28.3 | 6.7 | 1.8 | 5.0 | ø4.8 | YJ-203, YJ-203S  | 200     |

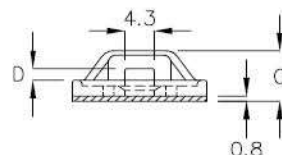
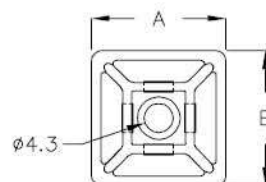
ASSEMBLE WITH P.G PART YJ-SERIES (Page 12-2)  
MUST BE ASSEMBLED WITH CABLE TIE, WIDTH UP TO 3.6mm



### 束線固定板 ADHESIVE BACKED MOUNT

- MATERIAL: NYLON 66(UL)
- FLAME CLASS: 94V-2
- COLOR: NATURAL
- ADHESIVE TAPE: 3M
- ALSO CAN BE FASTENED WITH #6-32 COUNTERSUNK SCREW

6-4-3



| PART NO | A    | B    | C   | D   | ASSEMBLE WITH P.C. PART   | PACKAGE |
|---------|------|------|-----|-----|---|---------|
| AB-20PJ | 19.8 | 19.8 | 7.4 | 1.7 | YJ-80, YJ-90, YJ-98<br>YJ-100, YJ-120, YJ-142<br>YJ-142S, YJ-156, YJ-160<br>YJ-203, YJ-203S | 500     |

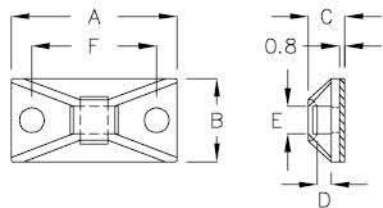
ASSEMBLE WITH P.G PART YJ-SERIES (Page 12-2)  
MUST BE ASSEMBLED WITH CABLE TIE, WIDTH UP TO 3.6mm



### 束線固定板 ADHESIVE BACKED MOUNT

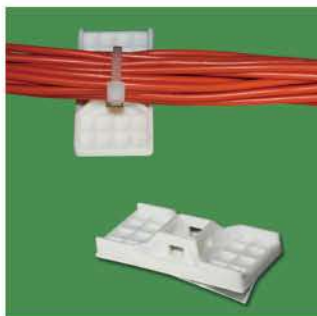
6-5-1

- MATERIAL: NYLON 66(UL)
- FLAME CLASS: 94V-2
- COLOR: NATURAL
- ADHESIVE TAPE: 3M
- ALSO CAN BE FASTENED WITH M2 or M3 SCREW



| PART NO | A    | B    | C   | D    | E   | F    | WITH SCREW | ASSEMBLE WITH P.G. PART                       | PACKAGE |
|---------|------|------|-----|------|-----|------|------------|---|---------|
| AB-3R   | 15.0 | 9.0  | 5.3 | 1.95 | 3.8 | 10.5 | M2         | YJ-80, YJ-90, YJ-98<br>YJ-100, YJ-120, YJ-142 | 500     |
| AB-3P   | 24.0 | 12.0 | 5.3 | 1.95 | 4.0 | 18.0 | M3         | YJ-142S, YJ-156, YJ-160<br>YJ-203, YJ-203S    |         |

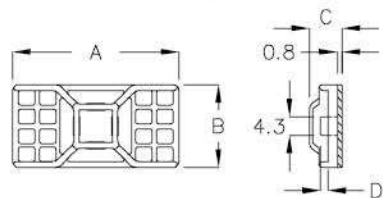
ASSEMBLE WITH P.G PART YJ-SERIES (Page 12-2)  
MUST BE ASSEMBLED WITH CABLE TIE, WIDTH UP TO 3.6mm



### 束線固定板 ADHESIVE BACKED MOUNT

6-5-2

- MATERIAL: NYLON 66(UL)
- FLAME CLASS: 94V-2
- COLOR: NATURAL
- ADHESIVE TAPE: 3M



| PART NO | A    | B    | C   | D   | ASSEMBLE WITH P.G. PART   | PACKAGE |
|---------|------|------|-----|-----|---|---------|
| AB-20QW | 39.6 | 19.8 | 7.4 | 1.7 | YJ-80, YJ-90, YJ-98, YJ-100<br>YJ-120, YJ-142, YJ-142S, YJ-156<br>YJ-160, YJ-203, YJ-203S | 200     |

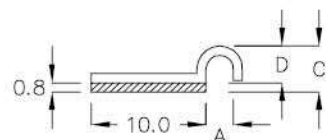
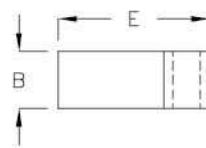
ASSEMBLE WITH P.G PART YJ-SERIES (Page 12-2)  
MUST BE ASSEMBLED WITH CABLE TIE, WIDTH UP TO 3.6mm



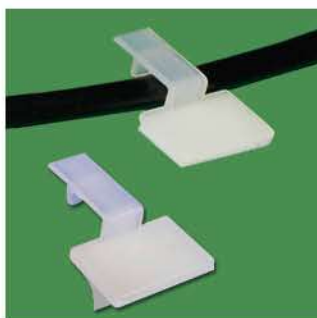
### 壓線座 WIRE CLAMP

6-5-3

- MATERIAL: NYLON 66(UL)
- FLAME CLASS: 94V-2
- COLOR: NATURAL
- ADHESIVE TAPE: 3M



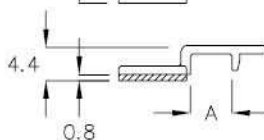
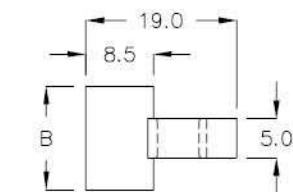
| PART NO | A   | B   | C   | D   | E    | PACKAGE |
|---------|-----|-----|-----|-----|------|---------|
| FS-05   | 2.4 | 5.0 | 4.1 | 3.2 | 13.2 | 2000    |
| FS-12PT | 1.5 | 5.0 | 3.2 | 2.4 | 12.3 |         |



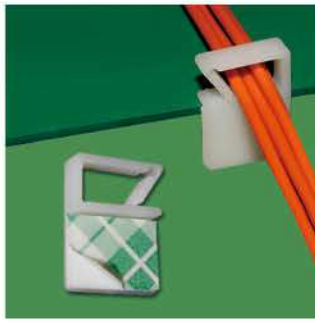
### 壓線座 WIRE CLAMP

6-5-4

- MATERIAL: NYLON 66(UL)
- FLAME CLASS: 94V-2
- COLOR: NATURAL
- ADHESIVE TAPE: 3M



| PART NO | A   | B    | PACKAGE |
|---------|-----|------|---------|
| FCP-05  | 5.2 | 13.0 | 500     |

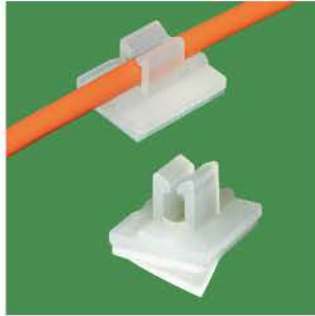
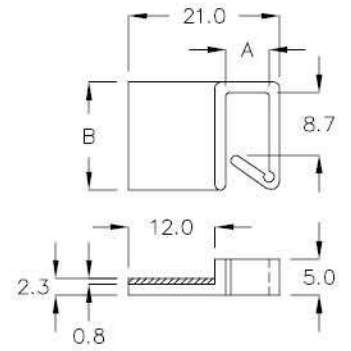


### 隔離束線座 WIRE SADDLE

6-6-1

- MATERIAL: NYLON 66(UL)
- FLAME CLASS: 94V-2
- COLOR: NATURAL
- ADHESIVE TAPE: 3M

| PART NO | A   | B    | PACKAGE |
|---------|-----|------|---------|
| AB-5    | 6.0 | 15.0 | 500     |

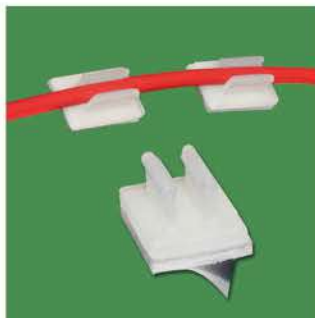
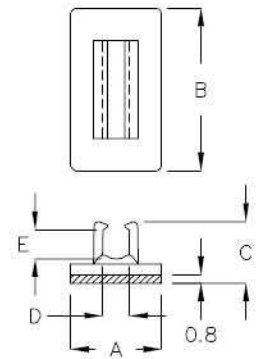


### 隔離束線座 WIRE SADDLE

6-6-2

- MATERIAL: NYLON 66(UL)
- FLAME CLASS: 94V-2
- COLOR: NATURAL
- ADHESIVE TAPE: 3M

| PART NO | A   | B    | C   | D   | E    | PACKAGE |
|---------|-----|------|-----|-----|------|---------|
| FU-10AK | 8.5 | 10.0 | 6.1 | 2.1 | 2.3  | 2000    |
| FU-10DF | 8.5 | 10.0 | 6.9 | 3.1 | 3.15 |         |
| FU-15A  | 8.5 | 15.2 | 5.8 | 2.5 | 2.7  |         |

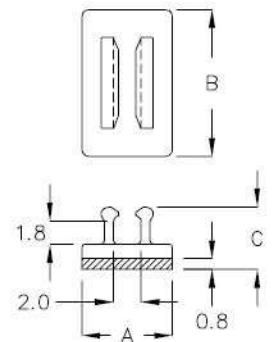


### 隔離束線座 WIRE SADDLE

6-6-3

- MATERIAL: NYLON 66(UL)
- FLAME CLASS: 94V-2
- COLOR: NATURAL
- ADHESIVE TAPE: 3M

| PART NO | A   | B    | C   | PACKAGE |
|---------|-----|------|-----|---------|
| FUS-10C | 6.5 | 10.5 | 4.5 | 2000    |

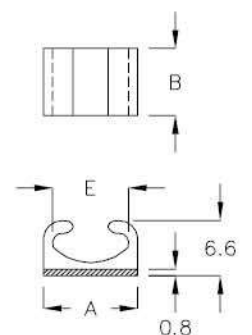


### 電線固定座 WIRE MOUNT

6-6-4

- MATERIAL: NYLON 66(UL)
- FLAME CLASS: 94V-2
- COLOR: NATURAL
- ADHESIVE TAPE: 3M

| PART NO  | A     | B   | E     | PACKAGE |
|----------|-------|-----|-------|---------|
| FUM-12   | 11.25 | 8.0 | 9.03  | 2000    |
| FUM-12FD | 13.1  | 8.0 | 10.45 |         |





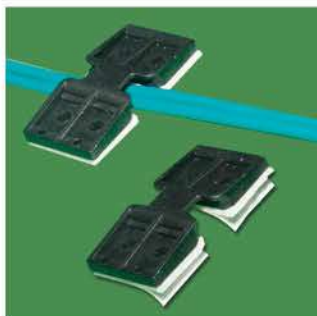
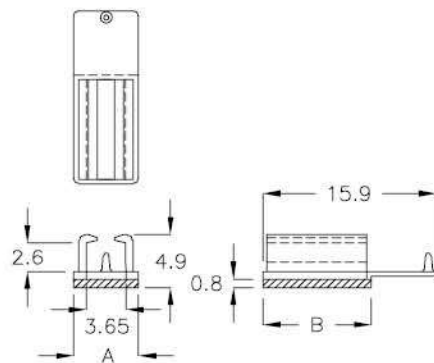


### 隔離束線座 WIRE SADDLE

6-7-1

- MATERIAL: NYLON 66(UL)
- FLAME CLASS: 94V-2
- COLOR: NATURAL
- ADHESIVE TAPE: 3M

| PART NO | A   | B    | PACKAGE |
|---------|-----|------|---------|
| FUA-16  | 6.0 | 10.0 | 2000    |

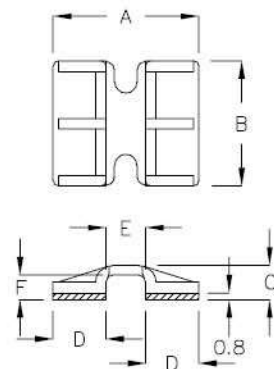


### 電線固定座 WIRE MOUNT

6-7-2

- MATERIAL: NYLON 66(UL)
- FLAME CLASS: 94V-2
- COLOR: BLACK
- ADHESIVE TAPE: 3M

| PART NO | A    | B    | C   | D   | E   | F   | PACKAGE |
|---------|------|------|-----|-----|-----|-----|---------|
| FWF-1A  | 14.0 | 12.0 | 3.5 | 5.1 | 3.8 | 2.6 | 1000    |
| FWF-1C  | 24.0 | 12.0 | 3.6 | 9.6 | 4.8 | 2.6 | 500     |
| FWF-1D  | 20.0 | 12.0 | 3.6 | 7.6 | 4.8 | 2.6 |         |
| FWF-1M  | 24.0 | 12.0 | 3.8 | 9.4 | 5.2 | 2.8 |         |

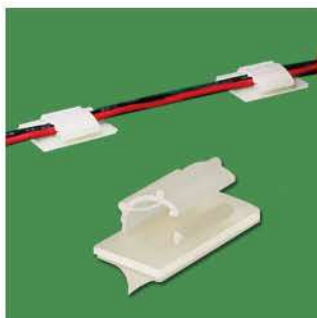
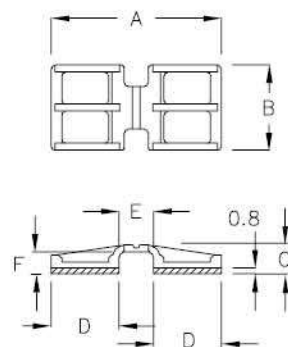


### 電線固定座 WIRE MOUNT

6-7-3

- MATERIAL: NYLON 66(UL)
- FLAME CLASS: 94V-2
- COLOR: BLACK
- ADHESIVE TAPE: 3M

| PART NO | A    | B    | C   | D   | E   | F   | PACKAGE |
|---------|------|------|-----|-----|-----|-----|---------|
| FWF-1F  | 24.0 | 12.0 | 3.6 | 9.6 | 4.8 | 2.6 | 500     |
| FWF-1N  | 24.0 | 12.0 | 4.1 | 9.6 | 4.8 | 3.1 |         |
| FWF-1P  | 24.0 | 12.0 | 4.1 | 9.4 | 5.2 | 3.1 |         |



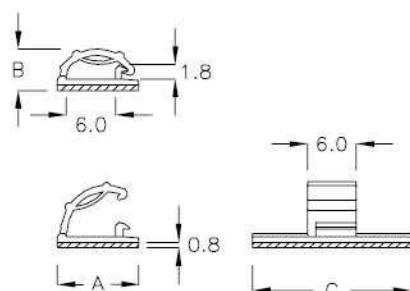
### 電線固定座 WIRE MOUNT

6-7-4

- MATERIAL: NYLON 66(UL)
- FLAME CLASS: 94V-2
- COLOR: NATURAL
- ADHESIVE TAPE: 3M

WITH LOCK FEATURE

| PART NO | A    | B   | C    | PACKAGE |
|---------|------|-----|------|---------|
| CHW-1C  | 10.0 | 5.5 | 19.5 | 500     |

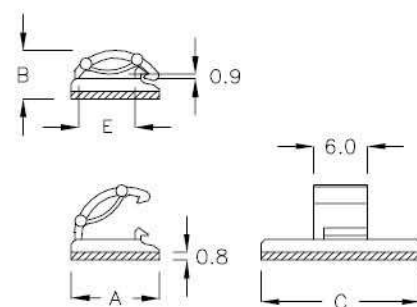




### 電線固定座 WIRE MOUNT

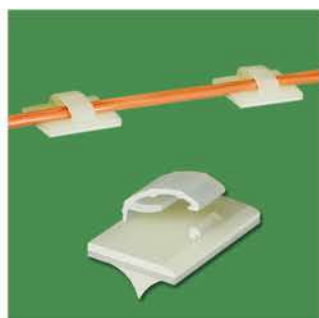
6-8-1

- MATERIAL: NYLON 66(UL)
- FLAME CLASS: 94V-2
- COLOR: NATURAL
- ADHESIVE TAPE: 3M



WITH LOCK FEATURE

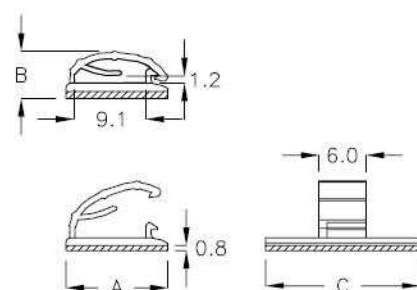
| PART NO | A    | B   | C    | E     | PACKAGE |
|---------|------|-----|------|-------|---------|
| CHW-01  | 10.0 | 5.8 | 19.5 | 6.0   | 500     |
| CHW-2M  | 14.1 | 8.4 | 19.6 | 10.35 |         |
| CHW-04  | 10.0 | 5.8 | 12.0 | 6.0   |         |
| CHW-05  | 10.0 | 5.8 | 18.8 | 6.3   |         |
| CHW-07  | 10.0 | 5.8 | 19.5 | 6.1   |         |



### 電線固定座 WIRE MOUNT

6-8-2

- MATERIAL: NYLON 66(UL)
- FLAME CLASS: 94V-2
- COLOR: NATURAL
- ADHESIVE TAPE: 3M



WITH LOCK FEATURE

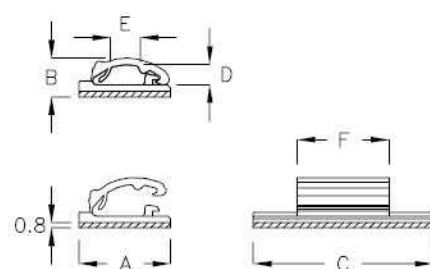
| PART NO | A    | B   | C    | PACKAGE |
|---------|------|-----|------|---------|
| CHW-2K  | 13.0 | 6.3 | 20.0 | 500     |



### 電線固定座 WIRE MOUNT

6-8-3

- MATERIAL: NYLON 66(UL)
- FLAME CLASS: 94V-2
- COLOR: NATURAL
- ADHESIVE TAPE: 3M



WITH LOCK FEATURE

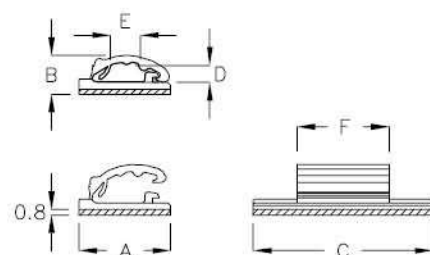
| PART NO | A    | B   | C    | D   | E   | F    | PACKAGE |
|---------|------|-----|------|-----|-----|------|---------|
| CHW-2Q  | 10.0 | 4.7 | 19.5 | 2.2 | 3.3 | 10.0 | 500     |



### 電線固定座 WIRE MOUNT

6-8-4

- MATERIAL: NYLON 66(UL)
- FLAME CLASS: 94V-2
- COLOR: NATURAL
- ADHESIVE TAPE: 3M



WITH LOCK FEATURE

| PART NO | A    | B   | C    | D   | E   | F    | PACKAGE |
|---------|------|-----|------|-----|-----|------|---------|
| CHW-2AC | 10.0 | 4.7 | 19.5 | 1.8 | 3.3 | 10.0 | 500     |

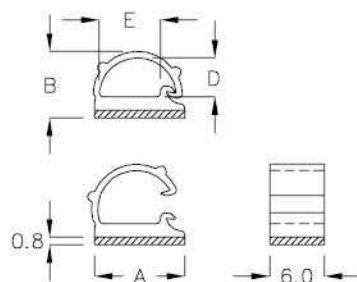


電線固定座 WIRE MOUNT 6-9-1

- MATERIAL: NYLON 66(UL)
- FLAME CLASS: 94V-2
- COLOR: BLACK
- ADHESIVE TAPE: 3M

WITH LOCK FEATURE

| PART NO  | A    | B   | D   | E   | PACKAGE |
|----------|------|-----|-----|-----|---------|
| CHW-10MK | 10.0 | 7.3 | 4.2 | 6.4 | 500     |

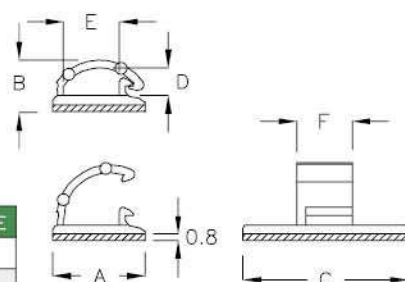


電線固定座 WIRE MOUNT 6-9-2

- MATERIAL: NYLON 66(UL)
- FLAME CLASS: 94V-2
- COLOR: NATURAL
- ADHESIVE TAPE: 3M

WITH LOCK FEATURE

| PART NO | A    | B   | C    | D   | E   | F    | PACKAGE |
|---------|------|-----|------|-----|-----|------|---------|
| CHW-1A  | 10.0 | 6.1 | 19.5 | 3.0 | 6.0 | 6.0  | 500     |
| CHW-1J  | 8.5  | 4.7 | 12.0 | 1.8 | 3.5 | 7.0  | 1000    |
| CHW-2C  | 10.0 | 6.3 | 20.0 | 3.0 | 5.9 | 11.0 | 500     |
| CHW-3R  | 10.0 | 7.9 | 30.0 | 4.3 | 5.4 | 20.0 |         |

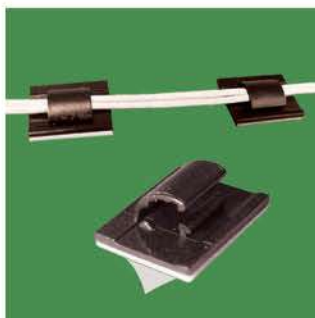
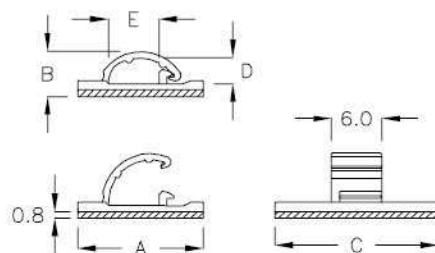


電線固定座 WIRE MOUNT 6-9-3

- MATERIAL: NYLON 66(UL)
- FLAME CLASS: 94V-2
- COLOR: BLACK
- ADHESIVE TAPE: 3M

WITH LOCK FEATURE

| PART NO | A    | B   | C    | D   | E   | PACKAGE |
|---------|------|-----|------|-----|-----|---------|
| CHW-1D  | 15.0 | 5.4 | 19.5 | 3.0 | 6.0 | 500     |
| CHW-1H  | 15.0 | 5.3 | 19.5 | 2.5 | 6.0 |         |

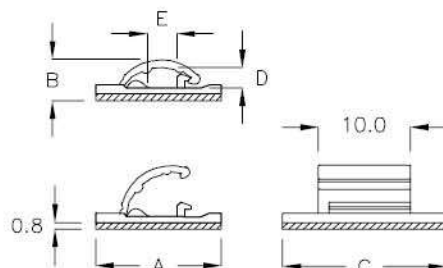


電線固定座 WIRE MOUNT 6-9-4

- MATERIAL: NYLON 66(UL)
- FLAME CLASS: 94V-2
- COLOR: BLACK
- ADHESIVE TAPE: 3M

WITH LOCK FEATURE

| PART NO | A    | B   | C    | D   | E   | PACKAGE |
|---------|------|-----|------|-----|-----|---------|
| CHW-1F  | 15.0 | 5.4 | 19.5 | 2.5 | 3.4 | 500     |

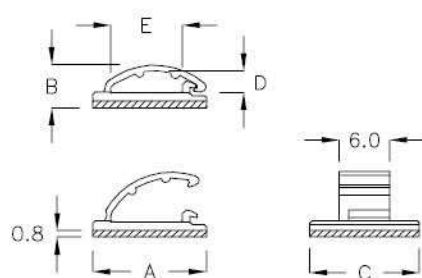




### 電線固定座 WIRE MOUNT

6-10-1

- MATERIAL: NYLON 66(UL)
- FLAME CLASS: 94V-2
- COLOR: BLACK
- ADHESIVE TAPE: 3M



WITH LOCK FEATURE

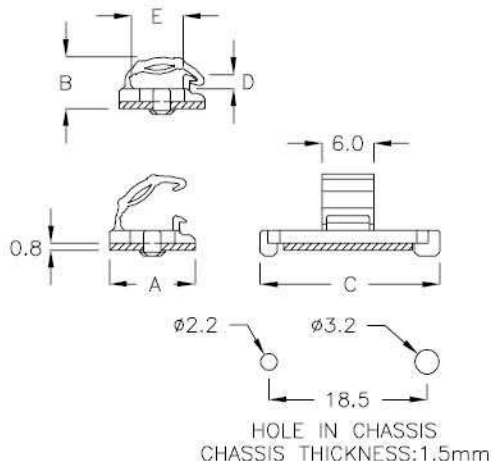
| PART NO | A    | B   | C    | D   | E   | PACKAGE |
|---------|------|-----|------|-----|-----|---------|
| CHW-4NJ | 13.5 | 5.1 | 13.0 | 2.6 | 8.5 | 500     |



### 電線固定座 WIRE MOUNT

6-10-2

- MATERIAL: NYLON 66(UL)
- FLAME CLASS: 94V-2
- COLOR: NATURAL
- ADHESIVE TAPE: 3M



WITH LOCK FEATURE

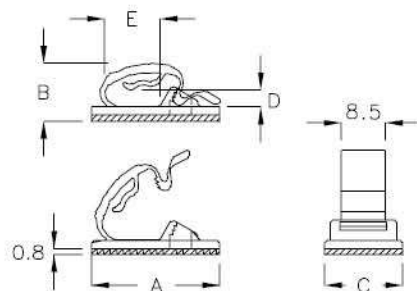
| PART NO | A    | B   | C    | D   | E   | PACKAGE |
|---------|------|-----|------|-----|-----|---------|
| CZQ-1SK | 10.0 | 6.1 | 21.0 | 1.7 | 6.0 | 500     |



### 電線固定座 WIRE MOUNT

6-10-3

- MATERIAL: NYLON 66(UL)
- FLAME CLASS: 94V-2
- COLOR: NATURAL
- ADHESIVE TAPE: 3M



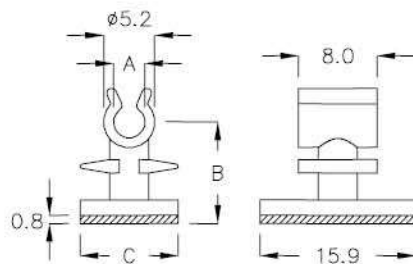
WITH LOCK FEATURE

| PART NO | A    | B    | C    | D   | E   | PACKAGE |
|---------|------|------|------|-----|-----|---------|
| CZJ-20K | 20.5 | 10.1 | 12.5 | 2.7 | 8.8 | 500     |

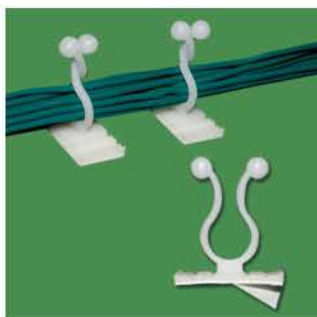


電線固定座 WIRE MOUNT ———— 6-11-1 |

- MATERIAL: NYLON 66(UL)
- FLAME CLASS: 94V-2
- COLOR: NATURAL
- ADHESIVE TAPE: 3M

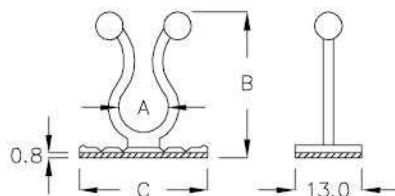


| PART NO | A    | B    | C    | PACKAGE |
|---------|------|------|------|---------|
| FGH-01  | ∅3.2 | 10.3 | 10.0 | 500     |



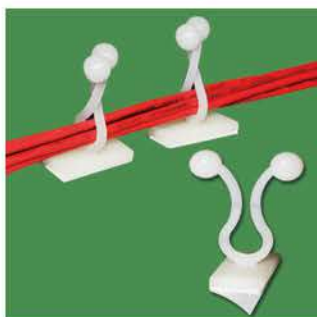
電線固定座 MOUNTING PURSE LOCK ———— 6-11-2 |

- MATERIAL: NYLON 66(UL)
- FLAME CLASS: 94V-2
- COLOR: NATURAL
- ADHESIVE TAPE: 3M
- SUIT FOR ARCUATE SURFACE



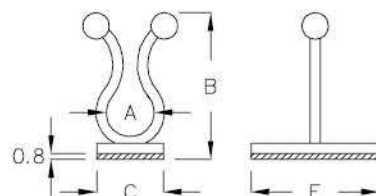
WITH LOCK FEATURE

| PART NO | A   | B    | C    | CLOSE DIA | PACKAGE |
|---------|-----|------|------|-----------|---------|
| AB-8C   | 9.5 | 28.2 | 25.0 | ∅8.2      | 500     |



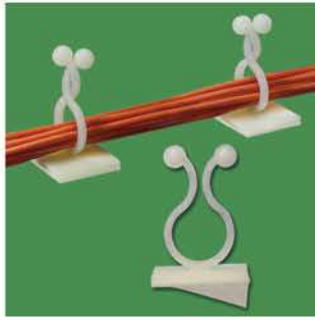
電線固定座 MOUNTING PURSE LOCK ———— 6-11-3 |

- MATERIAL: NYLON 66(UL)
- FLAME CLASS: 94V-2
- COLOR: NATURAL, BLACK
- ADHESIVE TAPE: 3M



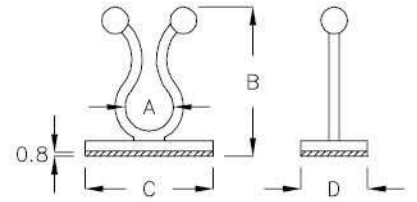
WITH LOCK FEATURE

| PART NO | A    | B    | C    | E    | CLOSE DIA | PACKAGE |
|---------|------|------|------|------|-----------|---------|
| AB-4    | 6.7  | 28.6 | 10.0 | 19.8 | ∅5.8      | 500     |
| AB-9    | 11.0 | 31.3 | 9.0  | 19.2 | ∅10.5     | 200     |



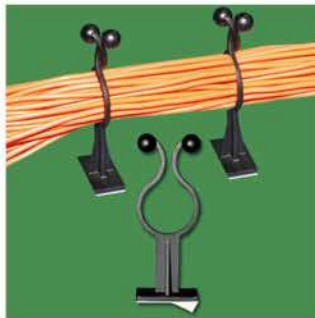
電線固定座 MOUNTING PURSE LOCK ——— 6-12-1 |

- MATERIAL: NYLON 66(UL)
- FLAME CLASS: 94V-2
- COLOR: NATURAL
- ADHESIVE TAPE: 3M



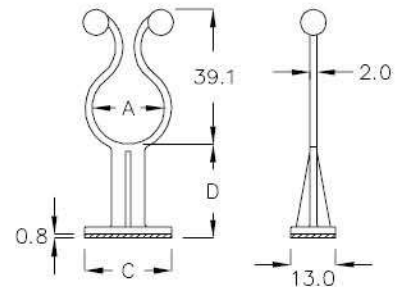
WITH LOCK FEATURE

| PART NO | A    | B    | C    | D    | CLOSE DIA | PACKAGE |
|---------|------|------|------|------|-----------|---------|
| AB-3DT  | 4.0  | 18.0 | 18.0 | 14.0 | ø3.0      | 500     |
| AB-04C  | 4.9  | 25.2 | 20.0 | 13.0 | ø4.0      |         |
| AB-04D  | 4.9  | 21.1 | 14.5 | 15.5 | ø4.0      |         |
| AB-05C  | 6.0  | 24.7 | 20.0 | 13.0 | ø5.0      |         |
| AB-7    | 8.7  | 22.8 | 20.0 | 13.0 | ø7.0      |         |
| AB-07C  | 8.7  | 23.0 | 15.5 | 16.0 | ø7.0      |         |
| AB-8    | 9.5  | 28.2 | 25.0 | 13.0 | ø8.2      |         |
| AB-08D  | 9.5  | 25.4 | 15.5 | 20.0 | ø8.2      |         |
| AB-8FA  | 9.5  | 27.0 | 20.0 | 14.0 | ø8.5      | 200     |
| AB-10   | 10.8 | 31.3 | 21.1 | 19.2 | ø10.0     |         |
| AB-10D  | 10.8 | 27.3 | 18.5 | 21.0 | ø10.0     |         |
| AB-12A  | 14.0 | 35.5 | 22.0 | 13.0 | ø12.5     |         |
| AB-13   | 14.8 | 35.5 | 22.0 | 13.0 | ø13.0     |         |
| AB-13A  | 14.8 | 35.5 | 25.0 | 20.0 | ø13.3     |         |
| AB-16   | 17.8 | 39.4 | 25.0 | 13.0 | ø16.2     |         |
| AB-16C  | 17.9 | 39.3 | 25.0 | 18.0 | ø16.0     |         |
| AB-18   | 20.0 | 39.0 | 25.0 | 18.0 | ø18.0     |         |
| AB-20R  | 22.2 | 43.0 | 25.4 | 25.4 | ø20.5     |         |
| AB-22   | 21.0 | 40.8 | 25.2 | 13.0 | ø19.0     |         |



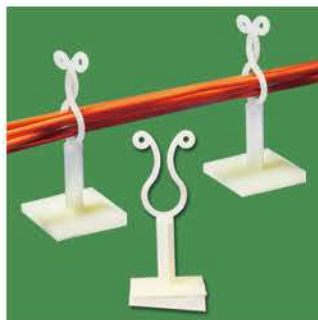
電線固定座 MOUNTING PURSE LOCK ——— 6-12-2 |

- MATERIAL: NYLON 66(UL)
- FLAME CLASS: 94V-2
- COLOR: BLACK
- ADHESIVE TAPE: 3M



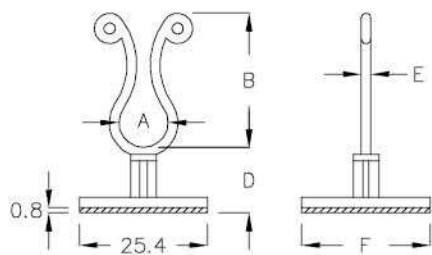
WITH LOCK FEATURE

| PART NO | A    | C    | D    | CLOSE DIA | PACKAGE |
|---------|------|------|------|-----------|---------|
| AB-18JK | 21.0 | 25.2 | 26.8 | ø18.5     | 200     |
| AB-18MD | 21.0 | 25.2 | 16.8 | ø18.5     |         |



電線固定座 MOUNTING PURSE LOCK 6-13-1

- MATERIAL: NYLON 66(UL)
- FLAME CLASS: 94V-2
- COLOR: NATURAL
- ADHESIVE TAPE: 3M



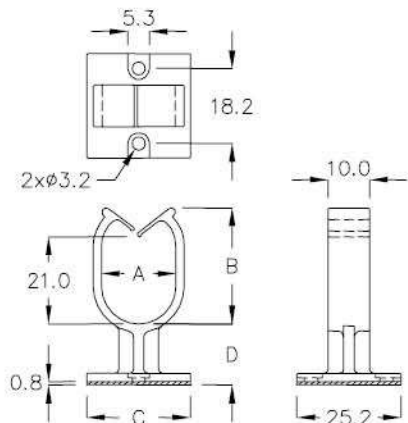
WITH LOCK FEATURE

| PART NO | A    | B    | D    | E   | F    | CLOSE DIA | PACKAGE |
|---------|------|------|------|-----|------|-----------|---------|
| AB-8S   | 9.6  | 26.3 | 6.25 | 1.9 | 25.4 | ø8.5      | 200     |
| AB-8H   | 9.6  | 26.3 | 12.6 | 1.9 | 25.4 | ø8.5      |         |
| AB-10A  | 11.6 | 28.0 | 27.3 | 1.9 | 25.4 | ø10.2     |         |
| AB-11A  | 11.4 | 27.4 | 4.8  | 2.0 | 13.0 | ø9.7      |         |



隔離束線座 WIRE SADDLE 6-13-2

- MATERIAL: NYLON 66(UL)
- FLAME CLASS: 94V-2
- COLOR: BLACK
- ADHESIVE TAPE: 3M

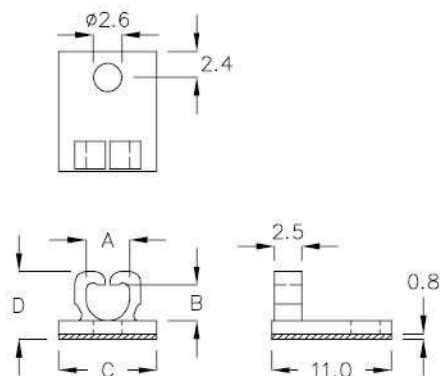


| PART NO   | A    | B    | C    | D    | PACKAGE |
|-----------|------|------|------|------|---------|
| CHAD-42JF | 18.0 | 28.0 | 25.2 | 14.8 | 100     |



隔離束線座 WIRE SADDLE 6-13-3

- MATERIAL: NYLON 66(UL)
- FLAME CLASS: 94V-2
- COLOR: NATURAL
- ADHESIVE TAPE: 3M
- ALSO CAN BE FASTENED WITH M2.5 SCREW



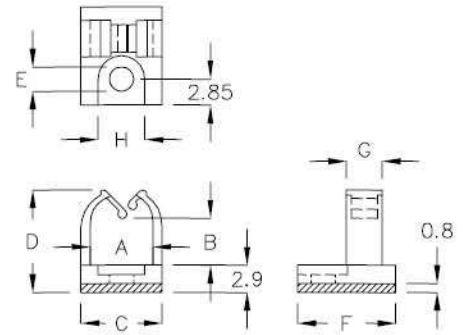
| PART NO | A   | B   | C   | D   | PACKAGE |
|---------|-----|-----|-----|-----|---------|
| CHF-4A  | 4.0 | 3.3 | 9.0 | 6.5 | 1000    |



隔離束線座 WIRE SADDLE

6-14-1

- MATERIAL: NYLON 66(UL)
- FLAME CLASS: 94V-2
- COLOR: NATURAL
- ADHESIVE TAPE: 3M
- ALSO CAN BE FASTENED WITH M2.5 or M3 SCREW



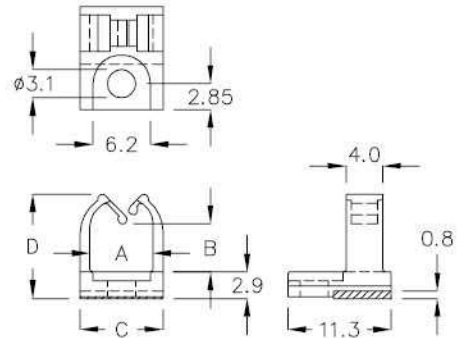
| PART NO | A   | B   | C   | D    | E    | F    | G   | H   | USE SCREW | PACKAGE |
|---------|-----|-----|-----|------|------|------|-----|-----|-----------|---------|
| CHF-8   | 6.9 | 5.0 | 9.1 | 11.3 | ∅2.7 | 11.0 | 4.1 | 5.1 | M2.5      | 500     |
| CHF-8A  | 6.9 | 5.0 | 9.1 | 11.2 | ∅3.1 | 11.0 | 4.1 | 5.1 | M3        |         |
| CHF-8C  | 7.0 | 8.8 | 9.0 | 15.0 | ∅2.7 | 10.9 | 4.0 | 5.2 | M2.5      |         |



隔離束線座 WIRE SADDLE

6-14-2

- MATERIAL: NYLON 66(UL)
- FLAME CLASS: 94V-2
- COLOR: NATURAL
- ADHESIVE TAPE: 3M
- ALSO CAN BE FASTENED WITH M3 SCREW



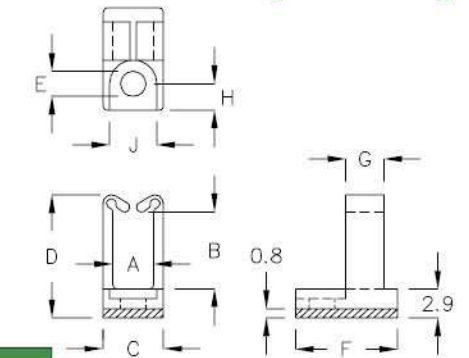
| PART NO  | A   | B    | C   | D    | PACKAGE |
|----------|-----|------|-----|------|---------|
| CHFQ-6DM | 6.9 | 5.25 | 9.1 | 11.4 | 1000    |



隔離束線座 WIRE SADDLE

6-14-3

- MATERIAL: NYLON 66(UL)
- FLAME CLASS: 94V-2
- COLOR: NATURAL, BLACK
- ADHESIVE TAPE: 3M
- ALSO CAN BE FASTENED WITH M2.5 or M3 SCREW



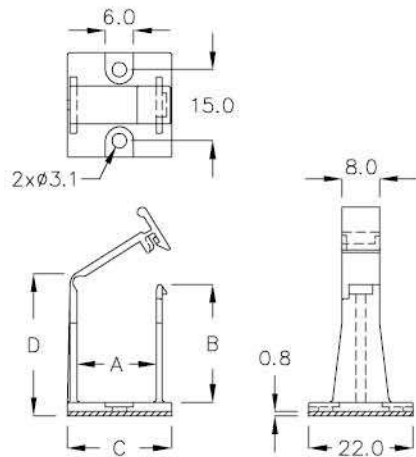
| PART NO     | A    | B    | C    | D    | E    | F    | G   | H   | J   | USE SCREW | PACKAGE |
|-------------|------|------|------|------|------|------|-----|-----|-----|-----------|---------|
| CHFA-4RQ    | 4.7  | 8.3  | 6.5  | 13.0 | ∅2.7 | 11.0 | 4.1 | 2.9 | 5.1 | M2.5      | 1000    |
| CHFA-6QW    | 6.8  | 13.9 | 10.0 | 19.6 | ∅3.1 | 15.0 | 5.0 | 5.0 | 5.1 | M3        |         |
| ★ CHFA-11AM | 11.5 | 16.3 | 15.5 | 23.2 | ∅3.1 | 19.0 | 5.3 | 5.0 | 5.1 | M3        |         |
| CHFA-15GM   | 15.5 | 33.4 | 19.5 | 40.7 | ∅3.1 | 19.0 | 8.0 | 4.5 | 5.6 | M3        | 200     |
| CHFA-18TK   | 18.0 | 38.7 | 22.0 | 46.0 | ∅3.1 | 22.0 | 8.0 | 5.0 | 5.6 | M3        | 1000    |





**隔離束線座 WIRE SADDLE** 6-15-1

- MATERIAL: NYLON 66(UL)
- FLAME CLASS: 94V-2
- COLOR: BLACK
- ADHESIVE TAPE: 3M
- ALSO CAN BE FASTENED WITH M3 SCREW



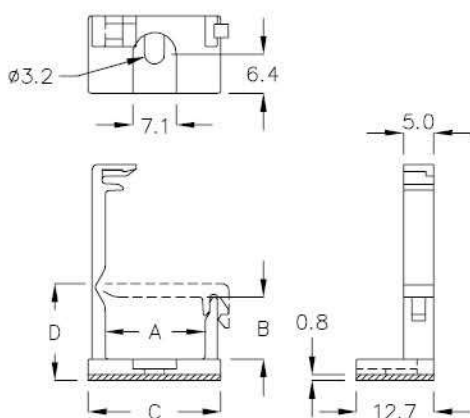
WITH LOCK FEATURE

| PART NO  | A    | B    | C    | D    | PACKAGE |
|----------|------|------|------|------|---------|
| CHFR-16M | 16.8 | 37.2 | 22.0 | 42.0 | 100     |



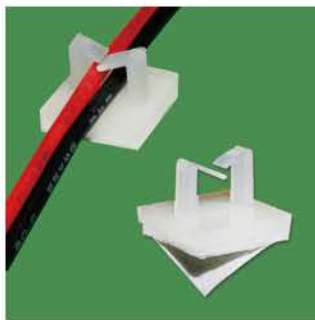
**隔離束線座 WIRE SADDLE** 6-15-2

- MATERIAL: NYLON 66(UL)
- FLAME CLASS: 94V-2
- COLOR: NATURAL
- ADHESIVE TAPE: 3M
- ALSO CAN BE FASTENED WITH M3 SCREW



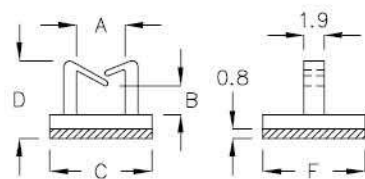
WITH LOCK FEATURE

| PART NO | A    | B    | C    | D    | PACKAGE |
|---------|------|------|------|------|---------|
| CKMH-16 | 16.3 | 10.1 | 21.6 | 15.6 | 200     |



**隔離束線座 WIRE SADDLE** 6-15-3

- MATERIAL: NYLON 66(UL)
- FLAME CLASS: 94V-2
- COLOR: NATURAL
- ADHESIVE TAPE: 3M

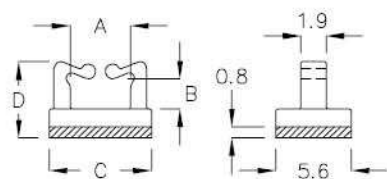


| PART NO | A    | B   | C   | D   | F   | PACKAGE |
|---------|------|-----|-----|-----|-----|---------|
| AB-20C  | 4.55 | 2.7 | 9.6 | 7.2 | 9.6 | 2000    |
| AB-20H  | 4.5  | 2.7 | 8.0 | 7.3 | 8.8 |         |
| AB-20JQ | 4.5  | 2.7 | 8.0 | 7.3 | 6.0 |         |



**隔離束線座 WIRE SADDLE** 6-15-4

- MATERIAL: NYLON 66(UL)
- FLAME CLASS: 94V-2
- COLOR: BLACK
- ADHESIVE TAPE: 3M



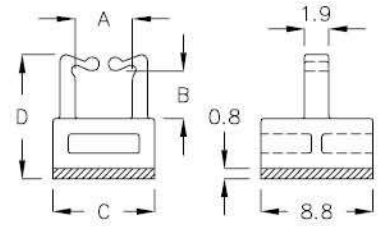
| PART NO | A   | B   | C   | D    | PACKAGE |
|---------|-----|-----|-----|------|---------|
| ABH-4K  | 4.5 | 2.2 | 7.6 | 5.65 | 2000    |



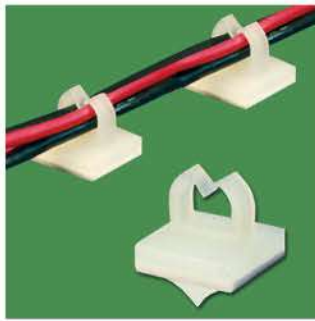
### 隔離束線座 WIRE SADDLE

6-16-1

- MATERIAL: NYLON 66(UL)
- FLAME CLASS: 94V-2
- COLOR: BLACK
- ADHESIVE TAPE: 3M



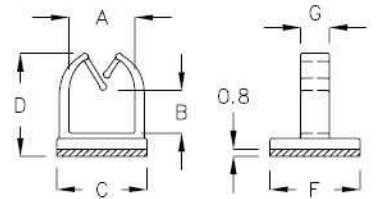
| PART NO | A   | B   | C   | D   | PACKAGE |
|---------|-----|-----|-----|-----|---------|
| ABH-4GN | 4.5 | 3.7 | 8.0 | 9.7 | 1000    |



### 隔離束線座 WIRE SADDLE

6-16-2

- MATERIAL: NYLON 66(UL)
- FLAME CLASS: 94V-2
- COLOR: NATURAL
- ADHESIVE TAPE: 3M



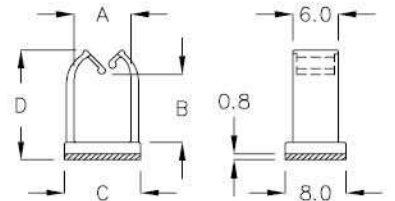
| PART NO | A   | B    | C    | D    | F    | G   | PACKAGE |
|---------|-----|------|------|------|------|-----|---------|
| CAR-4A  | 4.5 | 2.95 | 9.4  | 8.25 | 9.4  | 2.0 | 2000    |
| CAR-9CD | 9.2 | 6.0  | 12.7 | 14.2 | 12.7 | 4.0 | 500     |



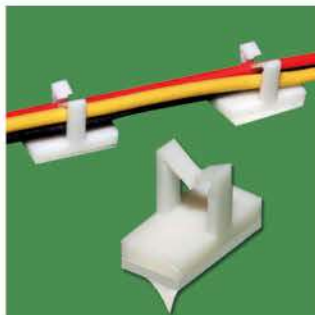
### 隔離束線座 WIRE SADDLE

6-16-3

- MATERIAL: NYLON 66(UL)
- FLAME CLASS: 94V-2
- COLOR: BLACK
- ADHESIVE TAPE: 3M



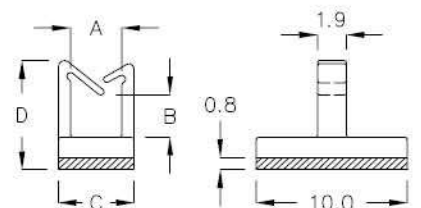
| PART NO | A   | B   | C    | D    | PACKAGE |
|---------|-----|-----|------|------|---------|
| CAM-7DF | 7.5 | 9.0 | 10.0 | 14.5 | 500     |



### 隔離束線座 WIRE SADDLE

6-16-4

- MATERIAL: NYLON 66(UL)
- FLAME CLASS: 94V-2
- COLOR: NATURAL
- ADHESIVE TAPE: 3M



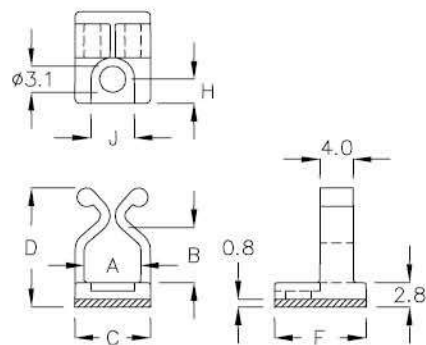
| PART NO | A   | B   | C   | D   | PACKAGE |
|---------|-----|-----|-----|-----|---------|
| ABD-10P | 3.4 | 2.7 | 5.0 | 7.2 | 2000    |



### 隔離束線座 WIRE SADDLE

6-17-1

- MATERIAL: NYLON 66(UL)
- FLAME CLASS: 94V-2
- COLOR: BLACK,NATURAL
- ADHESIVE TAPE: 3M
- ALSO CAN BE FASTENED WITH M3 SCREW



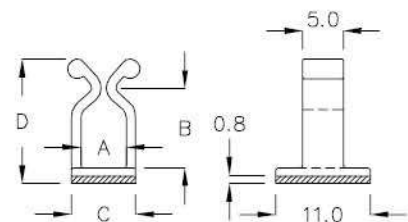
| PART NO  | A   | B   | C    | D    | F    | H    | J   | PACKAGE |
|----------|-----|-----|------|------|------|------|-----|---------|
| CHFD-6RM | 6.8 | 6.3 | 9.0  | 14.1 | 10.9 | 2.85 | 5.2 | 1000    |
| CHFD-9GD | 9.0 | 9.0 | 12.7 | 18.3 | 12.7 | 3.5  | 5.3 |         |



### 隔離束線座 WIRE SADDLE

6-17-2

- MATERIAL: NYLON 66(UL)
- FLAME CLASS: 94V-0
- COLOR: BLACK
- ADHESIVE TAPE: 3M



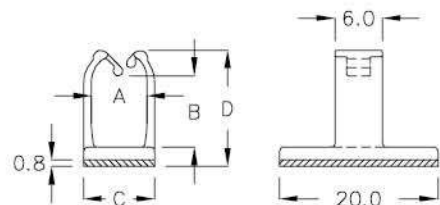
| PART NO  | A   | B   | C   | D    | PACKAGE |
|----------|-----|-----|-----|------|---------|
| CHFT-5AM | 5.3 | 9.0 | 7.5 | 15.8 | 1000    |



### 隔離束線座 WIRE SADDLE

6-17-3

- MATERIAL: NYLON 66(UL)
- FLAME CLASS: 94V-2
- COLOR: NATURAL
- ADHESIVE TAPE: 3M



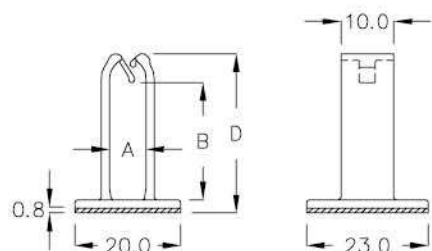
| PART NO | A   | B   | C   | D    | PACKAGE |
|---------|-----|-----|-----|------|---------|
| CML-7RJ | 7.0 | 9.0 | 9.0 | 14.6 | 500     |



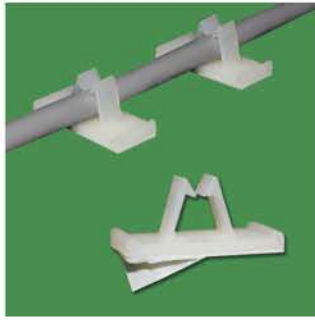
### 隔離束線座 WIRE SADDLE

6-17-4

- MATERIAL: NYLON 66(UL)
- FLAME CLASS: 94V-0
- COLOR: BLACK
- ADHESIVE TAPE: 3M



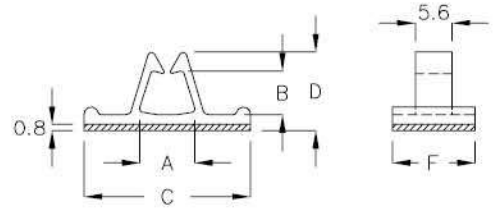
| PART NO | A   | B    | C    | D    | PACKAGE |
|---------|-----|------|------|------|---------|
| CMLA-6  | 6.8 | 25.0 | 20.0 | 32.8 | 200     |



隔離束線座 WIRE SADDLE

6-18-1

- MATERIAL: NYLON 66(UL)
- FLAME CLASS: 94V-2
- COLOR: NATURAL
- ADHESIVE TAPE: 3M



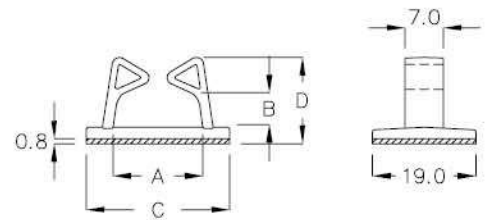
| PART NO | A   | B   | C    | D    | F    | PACKAGE |
|---------|-----|-----|------|------|------|---------|
| AB-15A  | 8.4 | 6.7 | 25.5 | 12.0 | 12.7 | 500     |
| AB-15F  | 8.4 | 6.0 | 17.6 | 11.3 | 8.9  |         |



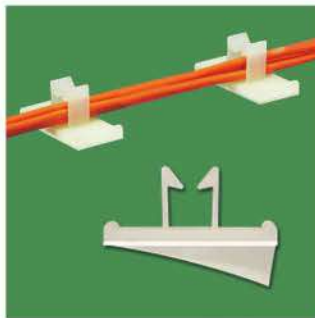
電線固定座 WIRE MOUNT

6-18-2

- MATERIAL: NYLON 66(UL)
- FLAME CLASS: 94V-2
- COLOR: BLACK
- ADHESIVE TAPE: 3M



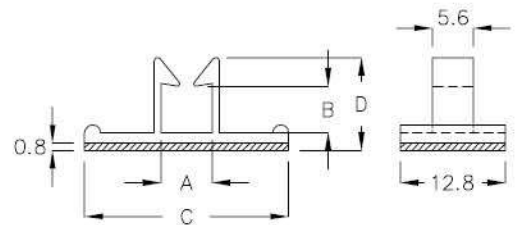
| PART NO | A    | B   | C    | D    | PACKAGE |
|---------|------|-----|------|------|---------|
| AB-15H  | 16.6 | 6.3 | 26.4 | 15.7 | 500     |



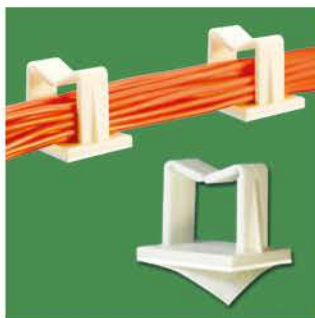
隔離束線座 WIRE SADDLE

6-18-3

- MATERIAL: NYLON 66(UL)
- FLAME CLASS: 94V-2
- COLOR: NATURAL
- ADHESIVE TAPE: 3M



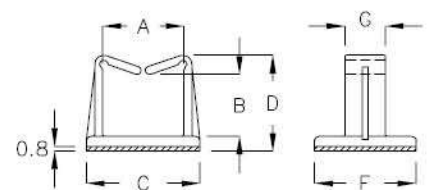
| PART NO | A   | B   | C    | D    | PACKAGE |
|---------|-----|-----|------|------|---------|
| AB-15   | 6.4 | 5.8 | 25.5 | 11.5 | 500     |
| AB-15C  | 6.4 | 4.5 | 19.0 | 10.2 |         |



隔離束線座 WIRE SADDLE

6-18-4

- MATERIAL: NYLON 66(UL)
- FLAME CLASS: 94V-2
- COLOR: NATURAL, BLACK
- ADHESIVE TAPE: 3M



| PART NO | A    | B    | C    | D    | F    | G    | PACKAGE |
|---------|------|------|------|------|------|------|---------|
| AB-11KW | 11.5 | 26.8 | 17.0 | 34.7 | 13.5 | 5.3  | 200     |
| AB-20GP | 20.0 | 15.3 | 28.0 | 23.3 | 25.0 | 10.0 | 100     |

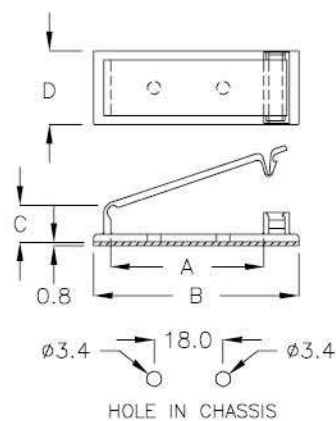


### 電線固定板 FLAT CABLE CLAMP

6-39-1

- MATERIAL: NYLON 66(UL)
- FLAME CLASS: 94V-2
- COLOR: BLACK
- ADHESIVE TAPE: 3M
- ALSO CAN BE FASTENED WITH M3 SCREW

| PART NO  | A    | B    | C    | D    | PACKAGE |
|----------|------|------|------|------|---------|
| FCW-40GQ | 40.0 | 53.5 | 11.2 | 19.3 | 100     |



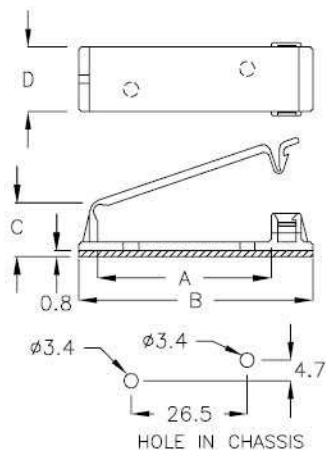
### 排線固定板 FLAT CABLE CLAMP

6-39-2

- MATERIAL: NYLON 66(UL)
- FLAME CLASS: 94V-2
- COLOR: NATURAL
- ADHESIVE TAPE: 3M
- ALSO CAN BE FASTENED WITH M3 SCREW

WITH LOCK FEATURE

| PART NO  | A    | B    | C    | D    | PACKAGE |
|----------|------|------|------|------|---------|
| FCW-40MH | 39.7 | 53.5 | 11.7 | 14.7 | 100     |

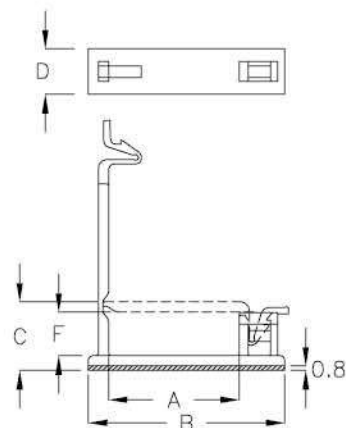


### 電線固定板 CABLE CLAMP

6-39-3

- MATERIAL: NYLON 66(UL)
- FLAME CLASS: 94V-2
- COLOR: NATURAL, BLACK
- ADHESIVE TAPE: 3M

| PART NO  | A    | B    | C    | D   | F   | PACKAGE |
|----------|------|------|------|-----|-----|---------|
| FCW-23GK | 23.0 | 34.5 | 12.0 | 8.0 | 7.6 | 200     |

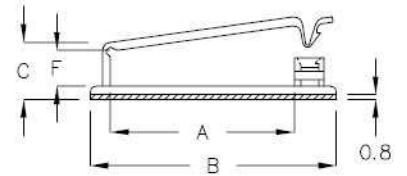




電線固定板 CABLE CLAMP

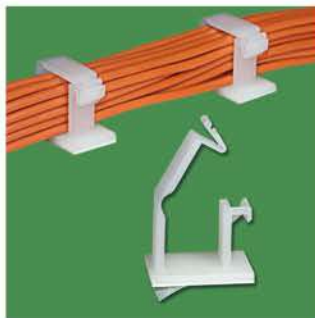
6-40-1

- MATERIAL: NYLON 66(UL)
- FLAME CLASS: 94V-2
- COLOR: NATURAL
- ADHESIVE TAPE: 3M



WITH LOCK FEATURE

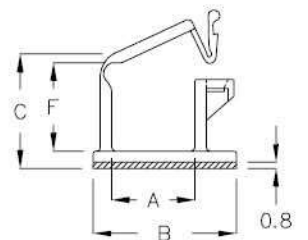
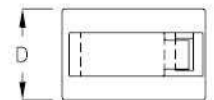
| PART NO  | A    | B    | C    | D    | F    | PACKAGE |
|----------|------|------|------|------|------|---------|
| FCW-4CK  | 4.7  | 12.0 | 8.6  | 9.5  | 5.0  | 1000    |
| FCW-13RT | 13.7 | 23.0 | 21.8 | 20.0 | 17.0 | 100     |
| FCW-16A  | 16.7 | 26.0 | 27.9 | 20.0 | 23.6 |         |
| FCW-17HD | 17.0 | 26.2 | 14.2 | 10.0 | 10.2 |         |
| FCW-35QT | 21.6 | 35.0 | 17.6 | 15.0 | 13.0 |         |
| FCW-27A  | 26.9 | 38.0 | 16.4 | 15.0 | 12.5 |         |
| FCW-27KM | 27.0 | 38.5 | 14.4 | 11.2 | 9.5  |         |
| FCW-27CS | 27.0 | 38.5 | 14.4 | 15.0 | 9.5  |         |
| FCW-29   | 31.6 | 45.4 | 10.4 | 18.9 | 5.5  |         |
| FCW-30   | 32.0 | 45.7 | 12.2 | 19.2 | 7.0  |         |
| FCW-32MT | 32.7 | 44.7 | 21.7 | 15.0 | 15.8 |         |
| FCW-31F  | 31.6 | 45.0 | 18.4 | 15.0 | 13.0 |         |
| FCW-35XR | 35.0 | 48.9 | 11.5 | 13.0 | 6.5  |         |
| FCW-36CT | 36.0 | 44.8 | 17.6 | 12.7 | 13.1 |         |
| FCW-40   | 39.7 | 53.5 | 13.1 | 19.2 | 7.7  |         |
| FCW-40K  | 39.7 | 53.5 | 15.3 | 19.3 | 10.0 |         |
| FCW-41   | 41.3 | 55.2 | 10.4 | 18.7 | 5.0  |         |
| FCW-41RK | 41.4 | 55.2 | 10.4 | 18.8 | 5.0  |         |
| FCW-50   | 64.0 | 77.5 | 12.3 | 19.2 | 6.5  |         |
| FCW-50H  | 65.2 | 79.2 | 18.8 | 18.9 | 13.3 |         |
| FCW-52KT | 52.2 | 61.0 | 13.4 | 12.7 | 8.8  |         |
| FCW-52A  | 52.6 | 66.5 | 15.8 | 19.8 | 10.1 |         |



電線固定板 CABLE CLAMP

6-40-2

- MATERIAL: NYLON 66(UL)
- FLAME CLASS: 94V-2
- COLOR: NATURAL
- ADHESIVE TAPE: 3M



WITH LOCK FEATURE

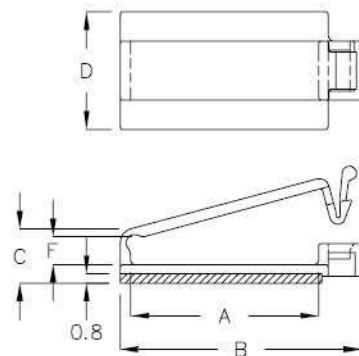
| PART NO  | A    | B    | C    | D    | F    | PACKAGE |
|----------|------|------|------|------|------|---------|
| FCW-11JM | 11.0 | 19.0 | 15.9 | 12.0 | 11.8 | 200     |



電線固定板 CABLE CLAMP

6-41-1

- MATERIAL: NYLON 66(UL)
- FLAME CLASS: 94V-2
- COLOR: NATURAL
- ADHESIVE TAPE: 3M



WITH LOCK FEATURE

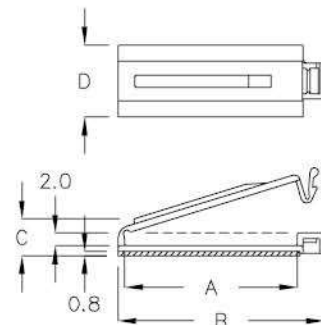
| PART NO  | A    | B    | C   | D    | F   | PACKAGE |
|----------|------|------|-----|------|-----|---------|
| FCW-16QS | 16.0 | 20.6 | 4.3 | 10.0 | 2.0 | 500     |



電線固定板 CABLE CLAMP

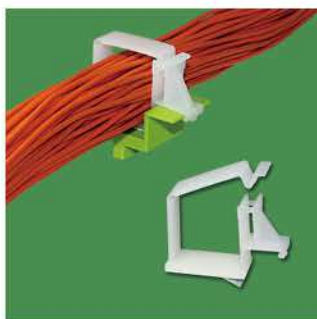
6-41-2

- MATERIAL: NYLON 66(UL)
- FLAME CLASS: 94V-2
- COLOR: NATURAL
- ADHESIVE TAPE: 3M



WITH LOCK FEATURE

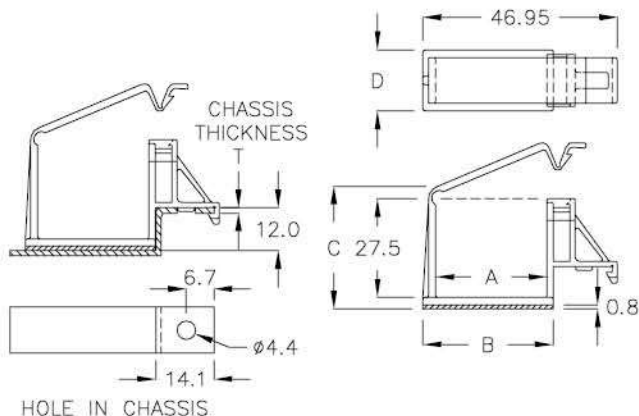
| PART NO  | A    | B    | C   | D    | PACKAGE |
|----------|------|------|-----|------|---------|
| FCW-16GR | 16.0 | 20.6 | 5.3 | 10.0 | 200     |
| FCW-24GR | 24.0 | 28.6 | 6.2 | 10.0 |         |
| FCW-30GR | 30.0 | 34.6 | 5.3 | 10.0 |         |



電線固定座 WIRE MOUNT

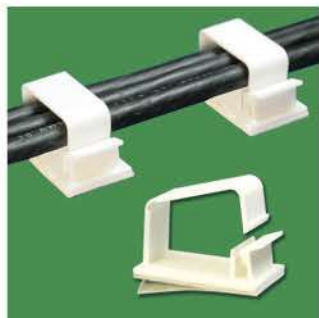
6-41-3

- MATERIAL: NYLON 66(UL)
- FLAME CLASS: 94V-2
- COLOR: NATURAL
- ADHESIVE TAPE: 3M



WITH LOCK FEATURE

| PART NO   | A    | B    | C    | D    | T<br>CHASSIS THICKNESS | PACKAGE |
|-----------|------|------|------|------|------------------------|---------|
| FCWT-27QH | 26.9 | 31.5 | 30.4 | 14.8 | 1.2                    | 100     |



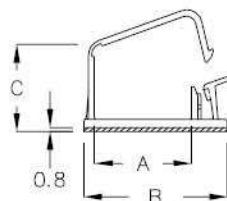
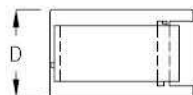
### 電線固定板 CABLE CLAMP

6-42-1

- MATERIAL: NYLON 66(UL)
- FLAME CLASS: 94V-2
- COLOR: NATURAL
- ADHESIVE TAPE: 3M

WITH LOCK FEATURE

| PART NO | A    | B    | C    | D    | PACKAGE |
|---------|------|------|------|------|---------|
| FWT-17C | 17.0 | 26.2 | 14.2 | 10.0 | 100     |
| FWT-21  | 21.0 | 31.0 | 19.3 | 19.0 |         |



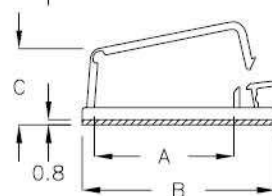
### 電線固定板 CABLE CLAMP

6-42-2

- MATERIAL: NYLON 66(UL)
- FLAME CLASS: 94V-2
- COLOR: NATURAL
- ADHESIVE TAPE: 3M

WITH LOCK FEATURE

| PART NO | A    | B     | C    | D     | PACKAGE |
|---------|------|-------|------|-------|---------|
| FWT-25  | 31.6 | 45.0  | 18.8 | 19.05 | 100     |
| FWT-25A | 33.0 | 44.45 | 11.2 | 19.05 |         |



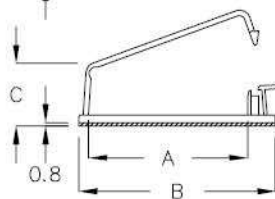
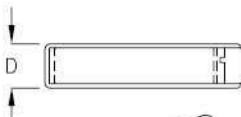
### 電線固定板 CABLE CLAMP

6-42-3

- MATERIAL: NYLON 66(UL)
- FLAME CLASS: 94V-2
- COLOR: BLACK
- ADHESIVE TAPE: 3M

WITH LOCK FEATURE

| PART NO | A    | B    | C    | D    | PACKAGE |
|---------|------|------|------|------|---------|
| FWT-53C | 53.9 | 66.7 | 22.5 | 15.0 | 100     |



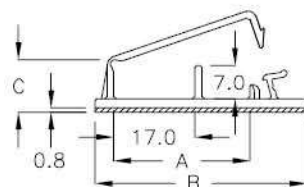
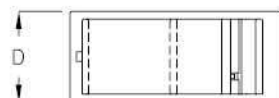
### 電線固定板 CABLE CLAMP

6-42-4

- MATERIAL: NYLON 66(UL)
- FLAME CLASS: 94V-2
- COLOR: NATURAL
- ADHESIVE TAPE: 3M

WITH LOCK FEATURE

| PART NO  | A    | B    | C    | D    | PACKAGE |
|----------|------|------|------|------|---------|
| FCY-27SY | 28.5 | 44.4 | 11.0 | 19.0 | 100     |





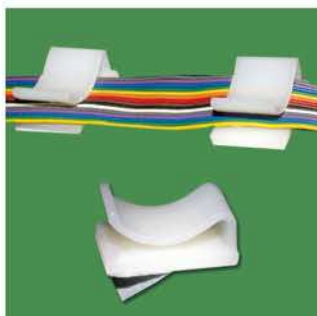
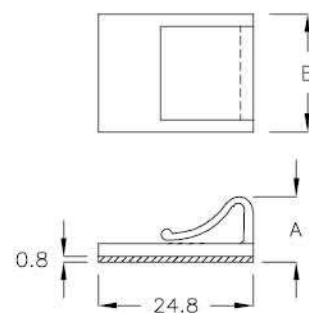


## 排線固定板 FLAT CABLE CLAMP

6-43-1

- MATERIAL: NYLON 66(UL)
- FLAME CLASS: 94V-2
- COLOR: NATURAL
- ADHESIVE TAPE: 3M

| PART NO | A    | B    | PACKAGE |
|---------|------|------|---------|
| FC-10N  | 10.4 | 18.8 | 500     |

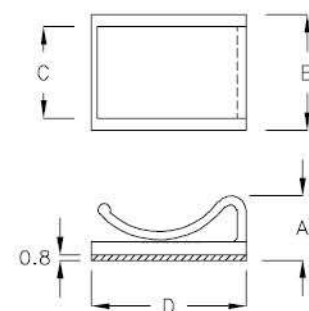


## 排線固定板 FLAT CABLE CLAMP

6-43-2

- MATERIAL: NYLON 66(UL)
- FLAME CLASS: 94V-2
- COLOR: NATURAL
- ADHESIVE TAPE: 3M

| PART NO | A    | B    | C    | D    | PACKAGE |
|---------|------|------|------|------|---------|
| FC-15N  | 10.5 | 19.0 | 15.0 | 25.0 | 200     |
| FC-25N  | 10.5 | 25.0 | 23.0 | 25.2 |         |

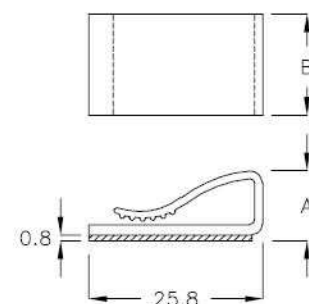


## 排線固定板 FLAT CABLE CLAMP

6-43-3

- MATERIAL: NYLON 66(UL)
- COLOR: GRAY
- ADHESIVE TAPE: 3M

| PART NO | A    | B    | PACKAGE |
|---------|------|------|---------|
| FB-15A  | 10.3 | 15.0 | 1000    |

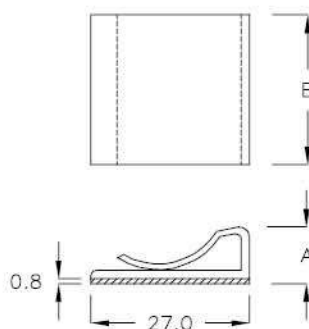


## 排線固定板 FLAT CABLE CLAMP

6-43-4

- MATERIAL: NYLON 66(UL)
- FLAME CLASS: 94V-2
- COLOR: NATURAL
- ADHESIVE TAPE: 3M

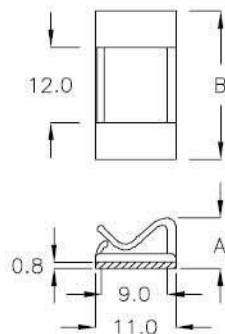
| PART NO | A   | B    | PACKAGE |
|---------|-----|------|---------|
| FC-25A  | 9.6 | 25.4 | 500     |





排線固定板 FLAT CABLE CLAMP 6-44-1

- MATERIAL: NYLON 66(UL)
- FLAME CLASS: 94V-2
- COLOR: NATURAL
- ADHESIVE TAPE: 3M

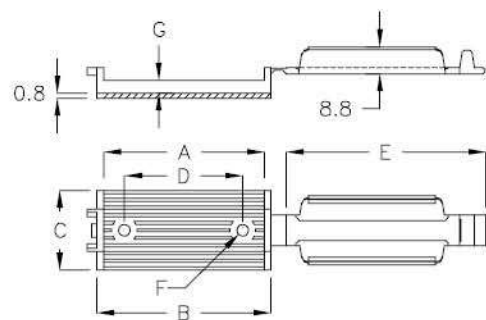


| PART NO | A   | B    | PACKAGE |
|---------|-----|------|---------|
| FCR-09  | 6.8 | 22.0 | 1000    |



排線固定板 FLAT CABLE CLAMP 6-44-2

- MATERIAL: NYLON 66(UL)
- FLAME CLASS: 94V-2
- COLOR: NATURAL
- ADHESIVE TAPE: 3M
- ALSO CAN BE FASTENED WITH M3 SCREW

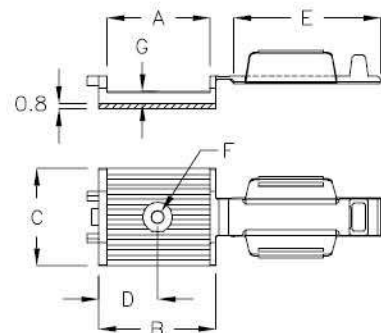


| PART NO | A    | B    | C    | D    | E    | F             | G   | SUITABLE CABLE | PACKAGE |
|---------|------|------|------|------|------|---------------|-----|----------------|---------|
| FCM-50  | 53.0 | 57.3 | 26.0 | 39.0 | 64.6 | 2- $\phi$ 3.8 | 4.1 | 40 PIN         | 100     |



排線固定板 FLAT CABLE CLAMP 6-44-3

- MATERIAL: NYLON 66(UL)
- FLAME CLASS: 94V-2
- COLOR: NATURAL
- ADHESIVE TAPE: 3M
- ALSO CAN BE FASTENED WITH M3 SCREW



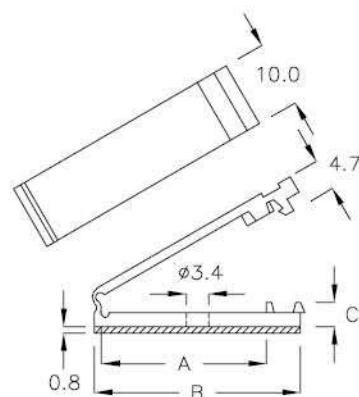
| PART NO  | A    | B    | C    | D     | E    | F           | G   | SUITABLE CABLE | PACKAGE |
|----------|------|------|------|-------|------|-------------|-----|----------------|---------|
| FCM-26AM | 26.6 | 29.7 | 25.0 | 14.85 | 37.9 | $\phi$ 3.8  | 3.0 | 16 PIN         | 100     |
| FCM-30   | 30.5 | 34.5 | 25.4 | 17.5  | 42.0 | $\phi$ 3.8  | 3.1 | 24 PIN         |         |
| FCM-31   | 26.8 | 30.7 | 25.4 | 15.5  | 38.5 | $\phi$ 3.65 | 3.0 | 16 PIN         |         |



## 排線固定板 FLAT CABLE CLAMP

6-45-1

- MATERIAL: NYLON 66(UL)
- FLAME CLASS: 94V-2
- COLOR: NATURAL
- ADHESIVE TAPE: 3M
- ALSO CAN BE FASTENED WITH M3 SCREW



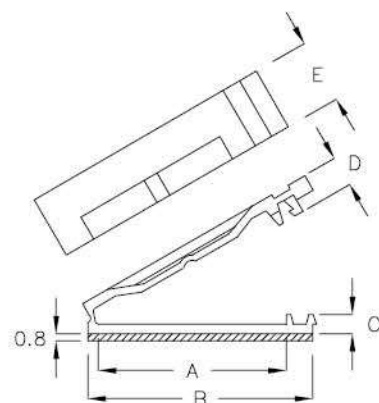
| PART NO | A    | B    | C   | SUITABLE CABLE | PACKAGE |
|---------|------|------|-----|----------------|---------|
| FCM-25H | 24.8 | 31.0 | 3.6 | 16 PIN         | 200     |



## 排線固定板 FLAT CABLE CLAMP

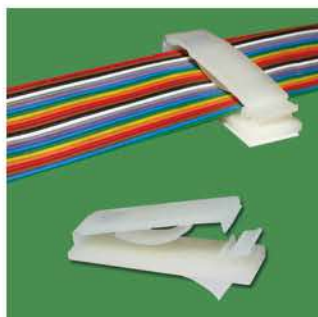
6-45-2

- MATERIAL: NYLON 66(UL)
- FLAME CLASS: 94V-2
- COLOR: NATURAL
- ADHESIVE TAPE: 3M



WITH LOCK FEATURE

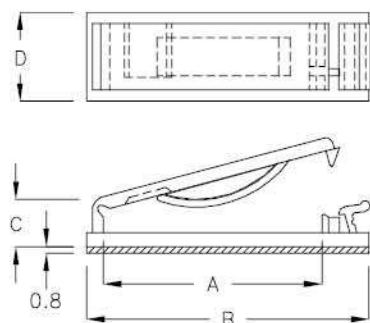
| PART NO | A    | B    | C   | D   | E    | SUITABLE CABLE | PACKAGE |
|---------|------|------|-----|-----|------|----------------|---------|
| FCM-25S | 22.0 | 28.0 | 3.0 | 4.7 | 10.0 | 15 PIN         | 200     |
| FCM-25  | 29.3 | 36.5 | 3.0 | 4.7 | 10.0 | 20 PIN         |         |
| FCM-25M | 55.8 | 61.2 | 4.0 | 4.7 | 15.0 | 40 PIN         | 100     |



## 排線固定板 FLAT CABLE CLAMP

6-45-3

- MATERIAL: NYLON 66(UL)
- FLAME CLASS: 94V-2
- COLOR: NATURAL
- ADHESIVE TAPE: 3M



WITH LOCK FEATURE

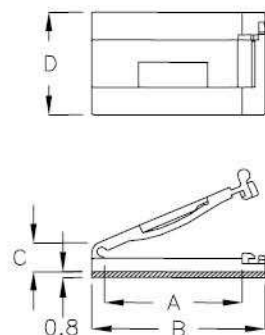
| PART NO | A    | B    | C   | D    | SUITABLE CABLE | PACKAGE |
|---------|------|------|-----|------|----------------|---------|
| FCD-25  | 31.5 | 40.7 | 6.8 | 12.7 | 25 PIN         | 100     |
| FCD-40  | 52.0 | 61.2 | 6.9 | 12.7 | 40 PIN         |         |



## 排線固定板 FLAT CABLE CLAMP

6-45-4

- MATERIAL: NYLON 66(UL)
- FLAME CLASS: 94V-2
- COLOR: BLACK
- ADHESIVE TAPE: 3M



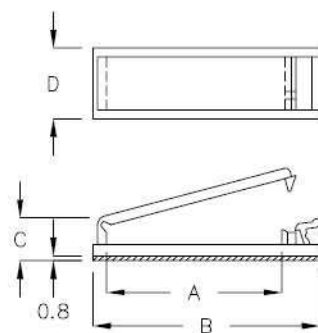
| PART NO | A    | B    | C   | D    | SUITABLE CABLE | PACKAGE |
|---------|------|------|-----|------|----------------|---------|
| FDQ-18  | 17.5 | 22.0 | 3.9 | 13.0 | 13 PIN         | 500     |



## 排線固定板 FLAT CABLE CLAMP

6-46-1

- MATERIAL: NYLON 66(UL)
- FLAME CLASS: 94V-2
- COLOR: NATURAL
- ADHESIVE TAPE: 3M



WITH LOCK FEATURE

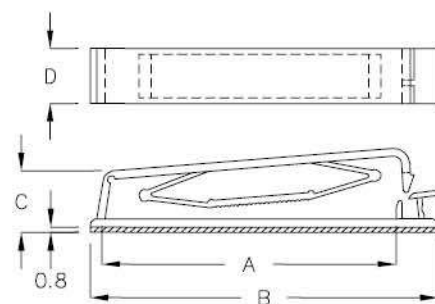
| PART NO  | A    | B    | C    | D    | SUITABLE CABLE | PACKAGE |
|----------|------|------|------|------|----------------|---------|
| FCD-17   | 17.0 | 26.2 | 6.6  | 12.7 | 13 PIN         | 200     |
| FCD-19GK | 19.0 | 27.5 | 12.5 | 12.7 | 13 PIN         |         |
| FCD-19A  | 19.0 | 28.0 | 5.8  | 10.0 | 13 PIN         |         |
| FCD-21BH | 21.5 | 30.0 | 13.5 | 12.7 | 13 PIN         | 100     |
| FCD-26GK | 26.5 | 35.0 | 8.2  | 10.0 | 20 PIN         |         |
| FCD-26EZ | 26.5 | 35.0 | 13.5 | 12.7 | 20 PIN         |         |
| FCD-27   | 27.0 | 36.0 | 10.8 | 12.7 | 20 PIN         |         |
| FCD-27C  | 27.0 | 36.0 | 13.8 | 12.7 | 20 PIN         |         |
| FCD-27F  | 27.0 | 36.0 | 16.5 | 15.0 | 20 PIN         |         |
| FCD-29KT | 29.5 | 38.0 | 13.5 | 12.7 | 20 PIN         |         |
| FCD-31AN | 31.0 | 39.5 | 7.5  | 12.7 | 25 PIN         |         |
| FCD-25A  | 31.1 | 40.4 | 7.9  | 12.7 | 25 PIN         |         |
| FCD-50   | 50.0 | 59.0 | 10.8 | 12.7 | 40 PIN         |         |
| FCD-40H  | 52.0 | 61.2 | 7.6  | 12.7 | 40 PIN         |         |
| FCD-60H  | 62.8 | 72.2 | 7.9  | 12.9 | 60 PIN         |         |



## 排線固定板 FLAT CABLE CLAMP

6-46-2

- MATERIAL: NYLON 66(UL)
- FLAME CLASS: 94V-2
- COLOR: NATURAL
- ADHESIVE TAPE: 3M
- \* 加中隔板
- \* WITH ISOLATE BOARD



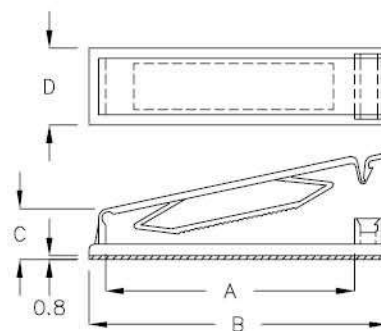
WITH LOCK FEATURE

| PART NO  | A    | B    | C    | D    | SUITABLE CABLE | PACKAGE |
|----------|------|------|------|------|----------------|---------|
| FCC-25C  | 32.0 | 45.0 | 16.0 | 19.0 | 25 PIN         | 100     |
| *FCC-25K | 31.3 | 40.7 | 7.2  | 10.0 | 25 PIN         |         |
| FCC-30   | 32.0 | 45.0 | 16.6 | 18.6 | 30 PIN         |         |
| FCC-40   | 54.0 | 67.0 | 16.6 | 15.8 | 40 PIN         |         |
| FCC-40C  | 53.8 | 66.0 | 12.8 | 10.2 | 40 PIN         |         |
| *FCC-41  | 54.0 | 67.0 | 16.6 | 15.8 | 40 PIN         |         |
| *FCC-41A | 53.7 | 66.7 | 17.0 | 12.8 | 40 PIN         |         |
| FCC-50   | 65.2 | 78.4 | 16.6 | 18.8 | 50 PIN         |         |
| FCC-50F  | 63.7 | 76.2 | 15.9 | 19.0 | 50 PIN         |         |
| *FCC-64  | 83.5 | 97.5 | 16.6 | 16.0 | 64 PIN         |         |



排線固定板 FLAT CABLE CLAMP 6-47-1

- MATERIAL: NYLON 66(UL)
- FLAME CLASS: 94V-2
- COLOR: NATURAL
- ADHESIVE TAPE: 3M



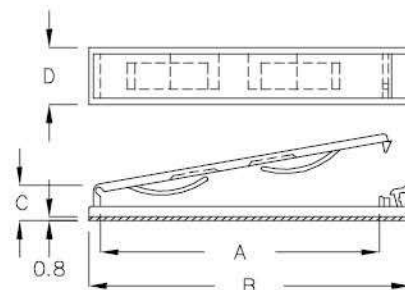
WITH LOCK FEATURE

| PART NO | A    | B    | C    | D    | SUITABLE CABLE | PACKAGE |
|---------|------|------|------|------|----------------|---------|
| FWY-50  | 64.0 | 77.0 | 12.6 | 20.0 | 50 PIN         | 100     |



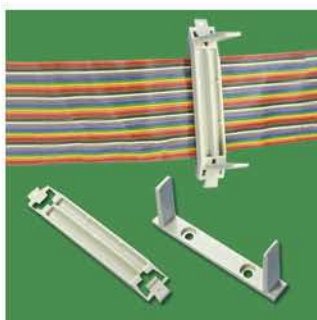
排線固定板 FLAT CABLE CLAMP 6-47-2

- MATERIAL: NYLON 66(UL)
- FLAME CLASS: 94V-2
- COLOR: NATURAL
- ADHESIVE TAPE: 3M



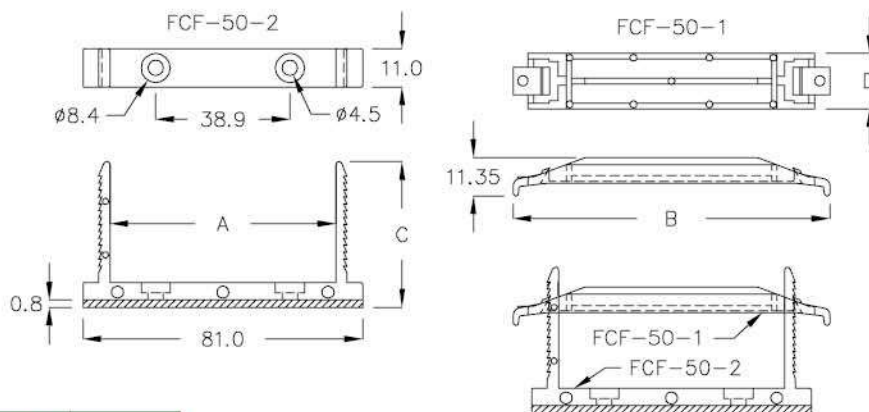
WITH LOCK FEATURE

| PART NO | A    | B    | C   | D    | SUITABLE CABLE | PACKAGE |
|---------|------|------|-----|------|----------------|---------|
| FCD-60A | 62.8 | 72.2 | 7.9 | 12.9 | 45 PIN         | 100     |

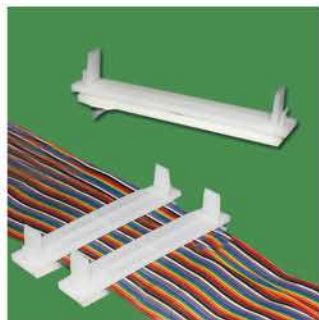


排線固定板 FLAT CABLE CLAMP 6-47-3

- MATERIAL: NYLON 66(UL)
- FLAME CLASS: 94V-2
- COLOR: NATURAL
- ADHESIVE TAPE: 3M
- ALSO CAN BE FASTENED WITH M4 SCREW

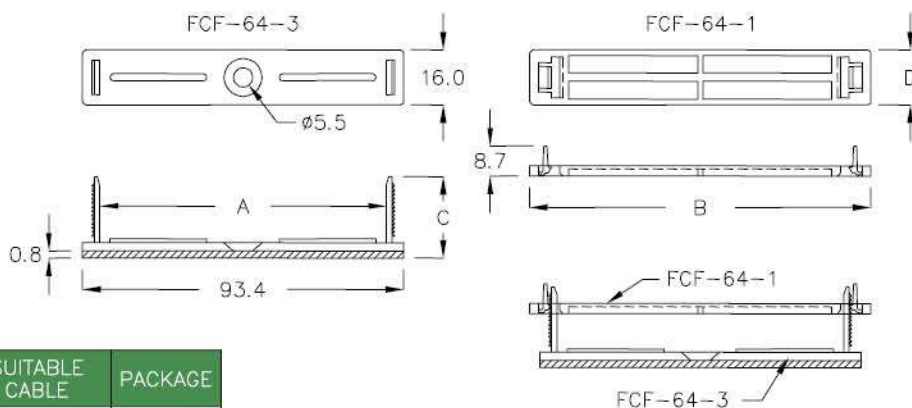


| PART NO | A    | B    | C    | D    | SUITABLE CABLE | PACKAGE |
|---------|------|------|------|------|----------------|---------|
| FCF-50  | 65.4 | 91.8 | 41.1 | 16.0 | 50 PIN X30     | 100     |



排線固定板 FLAT CABLE CLAMP 6-48-1

- MATERIAL: NYLON 66(UL)
- FLAME CLASS: 94V-2
- COLOR: NATURAL
- ADHESIVE TAPE: 3M
- ALSO CAN BE FASTENED WITH M5 COUNTERSUNK SCREW

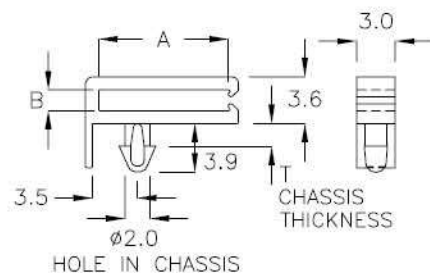


| PART NO | A    | B    | C    | D    | SUITABLE CABLE | PACKAGE |
|---------|------|------|------|------|----------------|---------|
| FCF-64  | 83.4 | 99.2 | 22.7 | 16.1 | 64 PIN X12     | 100     |



隔離束線座 WIRE SADDLE 6-48-2

- MATERIAL: NYLON 66(UL)
- FLAME CLASS: 94V-2
- COLOR: NATURAL

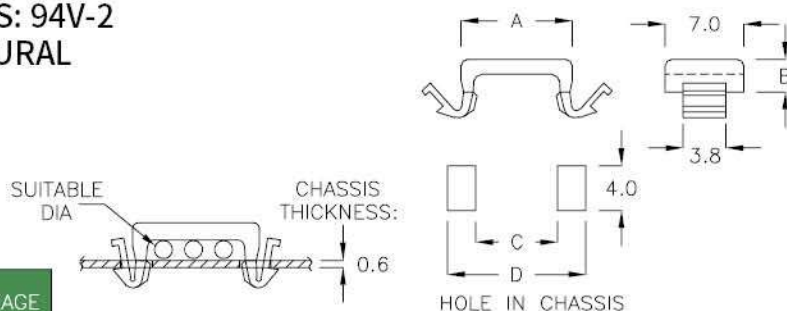


| PART NO | A    | B   | T<br>CHASSIS THICKNESS | PACKAGE |
|---------|------|-----|------------------------|---------|
| CID-01  | 10.0 | 1.6 | 1.6                    | 2000    |



電線固定座 WIRE MOUNT 6-48-3

- MATERIAL: NYLON 66(UL)
- FLAME CLASS: 94V-2
- COLOR: NATURAL



| PART NO | A    | B    | C   | D    | SUITABLE DIA | PACKAGE |
|---------|------|------|-----|------|--------------|---------|
| FBF-01  | 9.9  | 2.9  | 7.3 | 12.3 | ∅1.5X3       | 2000    |
| FBF-3A  | 9.9  | 3.75 | 7.3 | 12.3 | ∅2.0X3       |         |
| FBF-4C  | 11.9 | 3.75 | 9.3 | 14.3 | ∅2.0X4       |         |

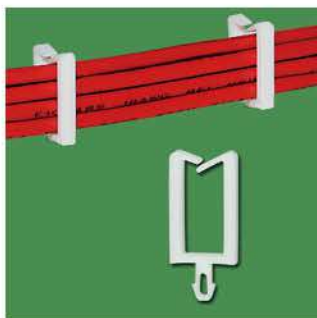
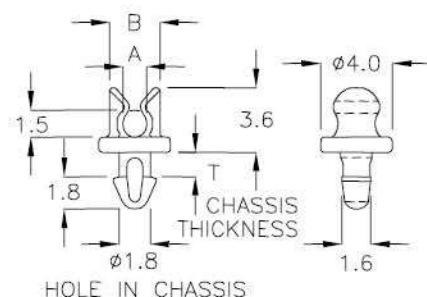


### 隔離束線座 WIRE SADDLE

6-49-1

- MATERIAL: NYLON 66(UL)
- FLAME CLASS: 94V-2
- COLOR: NATURAL

| PART NO | A   | B   | T<br>CHASSIS<br>THICKNESS | PACKAGE |
|---------|-----|-----|---------------------------|---------|
| CSF-1MK | 1.3 | 2.8 | 1.2                       | 2000    |
| CSF-1KC | 1.3 | 2.8 | 1.6                       |         |

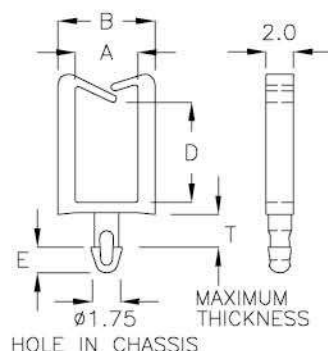


### 隔離束線座 WIRE SADDLE

6-49-2

- MATERIAL: NYLON 66(UL)
- FLAME CLASS: 94V-2
- COLOR: NATURAL

| PART NO | A   | B   | D   | E    | T<br>MAXIMUM<br>THICKNESS | PACKAGE |
|---------|-----|-----|-----|------|---------------------------|---------|
| CHT-4GF | 4.3 | 6.7 | 8.5 | 1.75 | 2.2                       | 2000    |

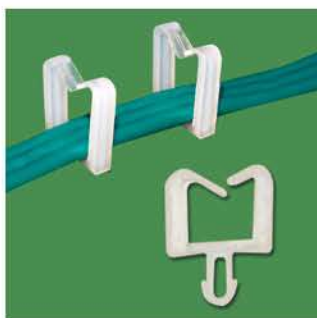
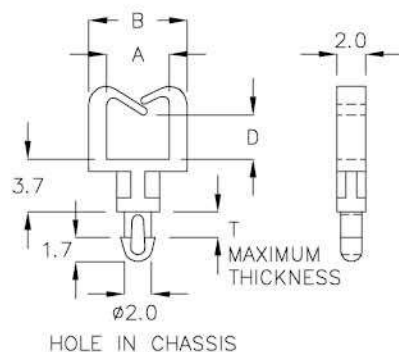


### 隔離束線座 WIRE SADDLE

6-49-3

- MATERIAL: NYLON 66(UL)
- FLAME CLASS: 94V-2
- COLOR: NATURAL

| PART NO | A   | B   | D   | T<br>MAXIMUM<br>THICKNESS | PACKAGE |
|---------|-----|-----|-----|---------------------------|---------|
| CMC-3A  | 4.4 | 6.9 | 3.0 | 1.6                       | 2000    |

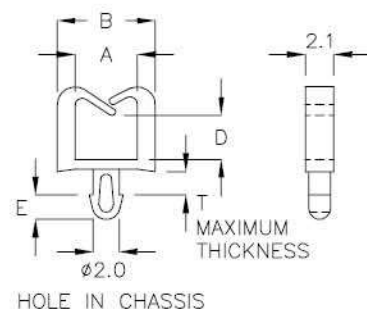


### 隔離束線座 WIRE SADDLE

6-49-4

- MATERIAL: NYLON 66(UL)
- FLAME CLASS: 94V-2
- COLOR: NATURAL

| PART NO | A   | B   | D   | E   | T<br>MAXIMUM<br>THICKNESS | PACKAGE |
|---------|-----|-----|-----|-----|---------------------------|---------|
| CH-1MR  | 3.4 | 5.8 | 3.0 | 1.8 | 1.2                       | 2000    |
| CH-01K  | 3.4 | 5.8 | 3.3 | 1.9 | 1.6                       |         |
| CH-01F  | 4.3 | 6.9 | 3.1 | 1.9 | 1.6                       |         |
| CH-02F  | 4.4 | 6.9 | 3.1 | 1.9 | 2.5                       |         |
| CH-5TA  | 4.4 | 6.9 | 5.1 | 1.8 | 2.5                       |         |
| CH-01H  | 5.2 | 7.8 | 5.8 | 1.9 | 1.6                       |         |

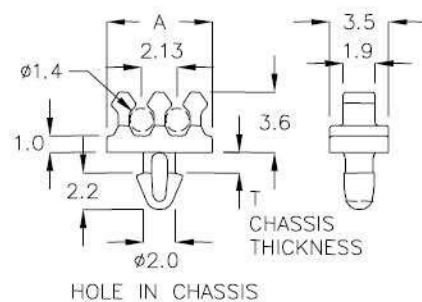




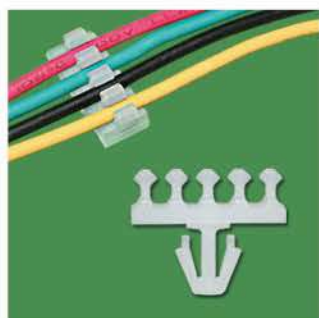
### 電線固定座 WIRE MOUNT

- MATERIAL: NYLON 66(UL)
- FLAME CLASS: 94V-2
- COLOR: NATURAL

| PART NO | A   | T<br>CHASSIS<br>THICKNESS | PACKAGE |
|---------|-----|---------------------------|---------|
| CMRW-6K | 6.3 | 1.0                       | 2000    |



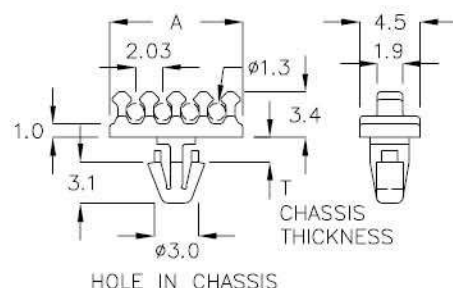
### 6-50-1



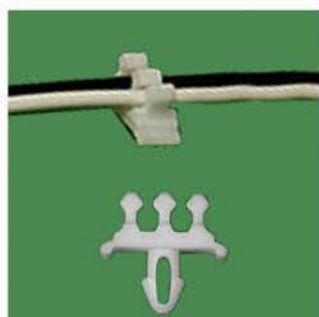
### 電線固定座 WIRE MOUNT

- MATERIAL: NYLON 66(UL)
- FLAME CLASS: 94V-2
- COLOR: NATURAL

| PART NO  | A    | T<br>CHASSIS<br>THICKNESS | PACKAGE |
|----------|------|---------------------------|---------|
| CMRT-10A | 10.0 | 1.6                       | 1000    |



### 6-50-2

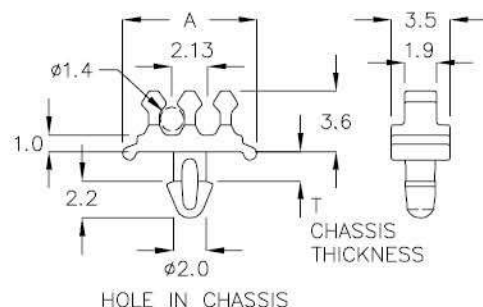


### 電線固定座 WIRE MOUNT

- MATERIAL: NYLON 66(UL)
- FLAME CLASS: 94V-0
- COLOR: NATURAL

**NEW**

| PART NO   | A   | T<br>CHASSIS<br>THICKNESS | PACKAGE |
|-----------|-----|---------------------------|---------|
| ★ CMRZ-6A | 8.0 | 1.5~1.6                   | 2000    |



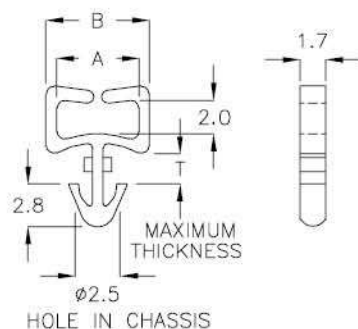
### 6-50-3



### 隔離束線座 WIRE SADDLE

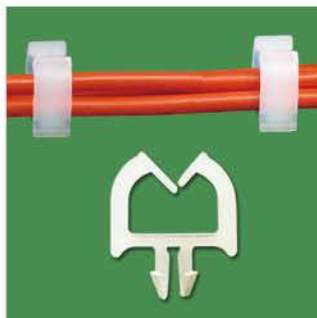
- MATERIAL: NYLON 66(UL)
- FLAME CLASS: 94V-2
- COLOR: NATURAL

| PART NO | A   | B   | T<br>MAXIMUM<br>THICKNESS | PACKAGE |
|---------|-----|-----|---------------------------|---------|
| CJA-1A  | 5.4 | 6.8 | 2.0                       | 2000    |



### 6-50-4

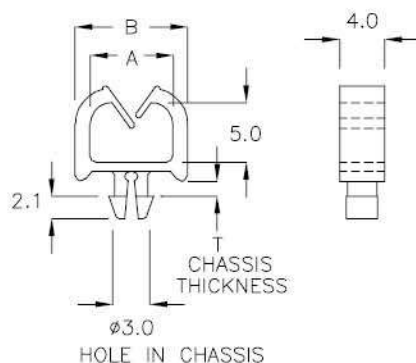




### 隔離束線座 WIRE SADDLE

6-51-1

- MATERIAL: NYLON 66(UL)
- FLAME CLASS: 94V-2
- COLOR: NATURAL



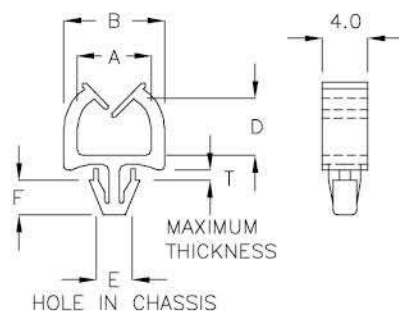
| PART NO | A   | B    | T<br>CHASSIS<br>THICKNESS | PACKAGE |
|---------|-----|------|---------------------------|---------|
| CH-01S  | 7.4 | 10.0 | 1.2~1.6                   | 2000    |



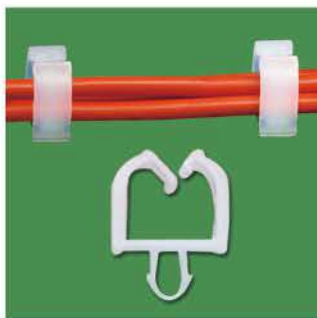
### 隔離束線座 WIRE SADDLE

6-51-2

- MATERIAL: NYLON 66(UL)
- FLAME CLASS: 94V-2
- COLOR: NATURAL



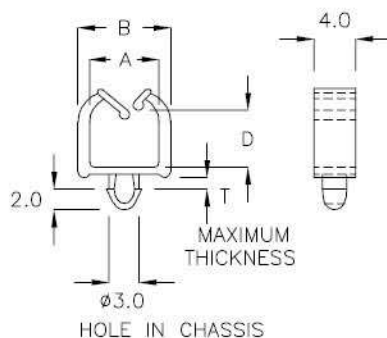
| PART NO | A    | B    | D   | E<br>HOLE IN<br>CHASSIS | F   | UL  | T<br>MAXIMUM<br>THICKNESS | PACKAGE |
|---------|------|------|-----|-------------------------|-----|-----|---------------------------|---------|
| CH-1HK  | 8.2  | 10.6 | 6.9 | ø3.0                    | 3.0 |     | 1.6                       | 2000    |
| CH-01B  | 8.2  | 10.6 | 6.9 |                         | 3.1 |     | 1.6                       |         |
| CH-1BK  | 8.3  | 10.7 | 6.9 |                         | 2.1 |     | 1.6                       |         |
| CH-01C  | 7.4  | 10.0 | 5.0 |                         | 2.2 |     | 1.6                       |         |
| CH-1FW  | 6.8  | 9.3  | 5.0 |                         | 2.8 |     | 1.6                       |         |
| CH-01M  | 6.5  | 9.0  | 5.0 |                         | 3.1 | UL  | 0.8                       |         |
| CH-01P  | 7.4  | 10.0 | 5.3 |                         | 2.2 |     | 2.0                       |         |
| CH-1PD  | 10.6 | 13.0 | 6.0 |                         | 2.5 |     | 1.6                       |         |
| CH-01U  | 8.3  | 10.7 | 7.0 | 2.5                     |     | 1.6 |                           |         |
| CH-01Q  | 6.6  | 9.0  | 4.9 | ø3.5                    | 3.0 |     | 1.0                       |         |
| CH-01W  | 6.6  | 9.0  | 4.5 |                         | 3.2 |     | 1.8                       |         |
| CH-01N  | 9.0  | 11.6 | 5.3 |                         | 2.7 |     | 1.2                       |         |



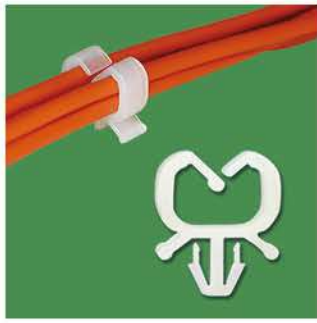
### 隔離束線座 WIRE SADDLE

6-51-3

- MATERIAL: NYLON 66(UL)
- FLAME CLASS: 94V-2
- COLOR: NATURAL



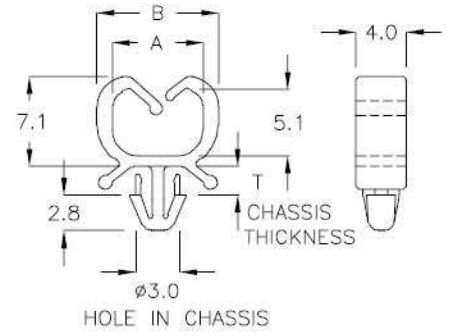
| PART NO | A   | B   | D    | T<br>MAXIMUM<br>THICKNESS | PACKAGE |
|---------|-----|-----|------|---------------------------|---------|
| CH-01A  | 6.7 | 9.0 | 5.5  | 1.2                       | 2000    |
| CH-01J  | 6.7 | 9.0 | 5.0  | 1.6                       |         |
| CH-1AM  | 6.7 | 9.2 | 5.45 | 0.8                       |         |



電線固定座 WIRE MOUNT

6-52-1

- MATERIAL: NYLON 66(UL)
- FLAME CLASS: 94V-2
- COLOR: NATURAL



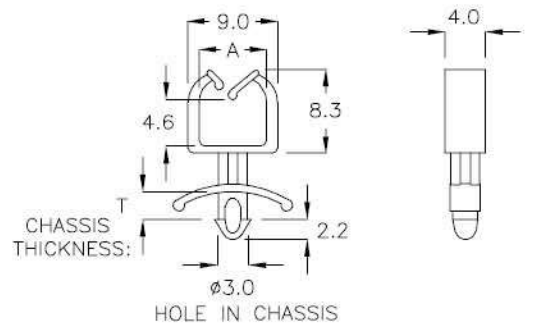
| PART NO | A   | B   | T<br>CHASSIS<br>THICKNESS | PACKAGE |
|---------|-----|-----|---------------------------|---------|
| CZC-7D  | 7.2 | 9.7 | 0.6~1.6                   | 1000    |



隔離束線座 WIRE SADDLE

6-52-2

- MATERIAL: NYLON 66(UL)
- FLAME CLASS: 94V-2
- COLOR: NATURAL



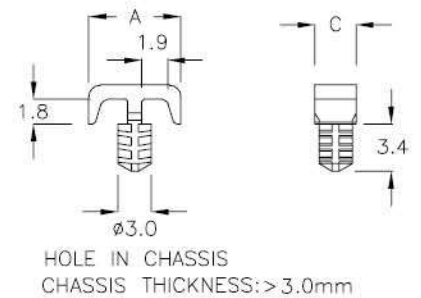
| PART NO | A   | T<br>CHASSIS<br>THICKNESS | PACKAGE |
|---------|-----|---------------------------|---------|
| CMA-4A  | 6.7 | 1.0~2.0                   | 1000    |



電線固定座 WIRE MOUNT

6-52-3

- MATERIAL: NYLON 66(UL)
- FLAME CLASS: 94V-2
- COLOR: NATURAL



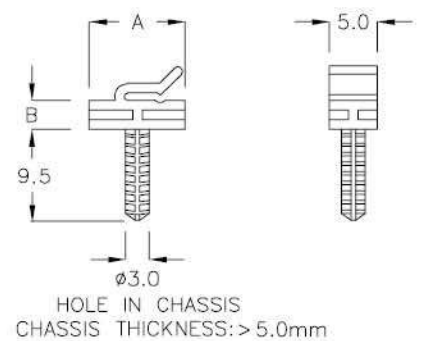
| PART NO | A   | C   | PACKAGE |
|---------|-----|-----|---------|
| PCS-4A  | 6.6 | 5.0 | 2000    |
| PCS-5A  | 6.6 | 3.0 |         |



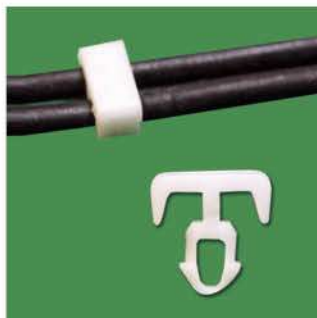
電線固定座 WIRE MOUNT

6-52-4

- MATERIAL: NYLON 66(UL)
- FLAME CLASS: 94V-2
- COLOR: NATURAL



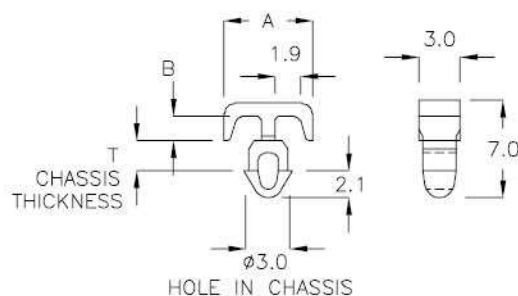
| PART NO | A    | B   | PACKAGE |
|---------|------|-----|---------|
| PCS-6A  | 10.0 | 3.0 | 2000    |



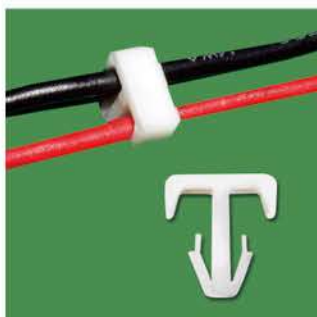
## 電線固定座 WIRE MOUNT

6-53-1

- MATERIAL: NYLON 66(UL)
- FLAME CLASS: 94V-2
- COLOR: NATURAL



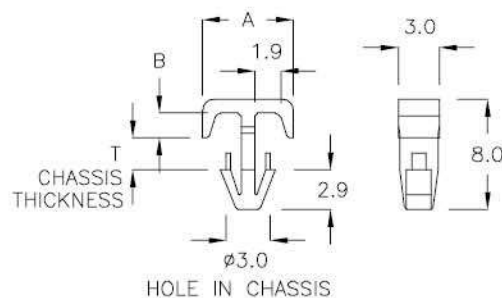
| PART NO | A   | B   | T<br>CHASSIS<br>THICKNESS | PACKAGE |
|---------|-----|-----|---------------------------|---------|
| PCS-1A  | 6.6 | 1.8 | 2.0                       | 2000    |



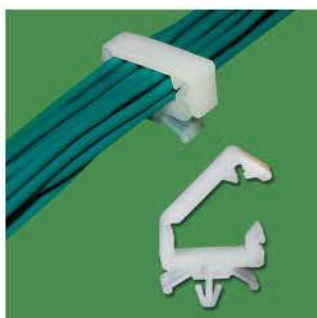
## 電線固定座 WIRE MOUNT

6-53-2

- MATERIAL: NYLON 66(UL)
- FLAME CLASS: 94V-2
- COLOR: NATURAL



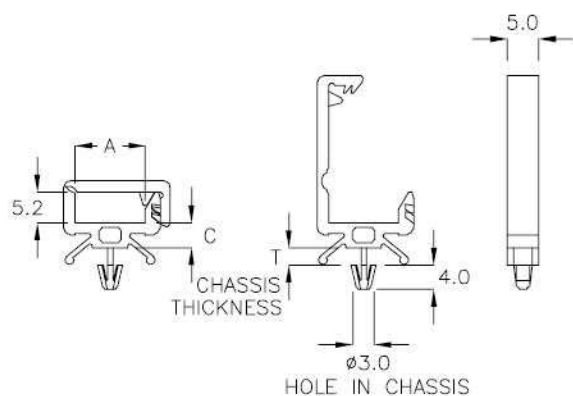
| PART NO | A   | B   | T<br>CHASSIS<br>THICKNESS | PACKAGE |
|---------|-----|-----|---------------------------|---------|
| PCS-3A  | 6.6 | 1.8 | 2.0                       | 2000    |



## 隔離束線座 WIRE SADDLE

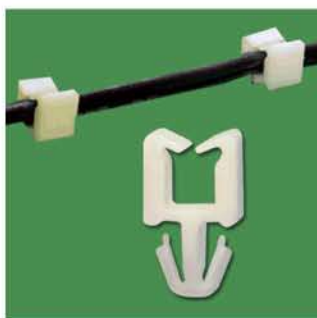
6-53-3

- MATERIAL: NYLON 66(UL)
- FLAME CLASS: 94V-2
- COLOR: NATURAL



WITH LOCK FEATURE

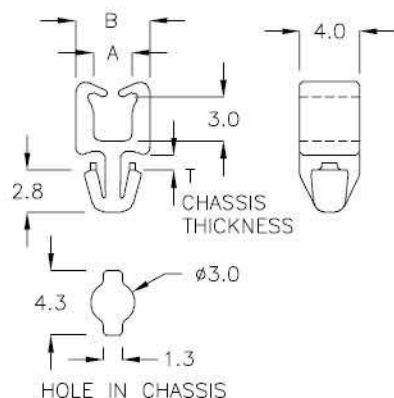
| PART NO | A    | C   | T<br>CHASSIS<br>THICKNESS | PACKAGE |
|---------|------|-----|---------------------------|---------|
| CHR-05  | 11.1 | 4.0 | 0.6~2.5                   | 500     |



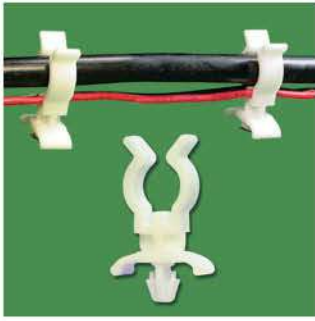
## 隔離束線座 WIRE SADDLE

6-53-4

- MATERIAL: NYLON 66(UL)
- FLAME CLASS: 94V-2
- COLOR: NATURAL



| PART NO | A   | B   | T<br>CHASSIS<br>THICKNESS | PACKAGE |
|---------|-----|-----|---------------------------|---------|
| CZH-2H  | 2.6 | 5.0 | 0.8~1.0                   | 2000    |



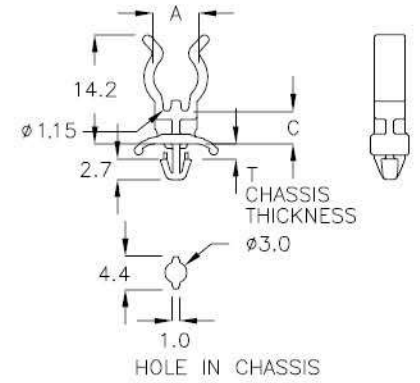
### 隔離束線座 WIRE SADDLE

6-54-1

- MATERIAL: NYLON 66(UL)
- FLAME CLASS: 94V-2
- COLOR: NATURAL

Built-In Anti-Spin Function

| PART NO | A   | C   | T<br>CHASSIS<br>THICKNESS | PACKAGE |
|---------|-----|-----|---------------------------|---------|
| TDD-4PA | 6.0 | 4.2 | 0.6~1.6                   | 500     |



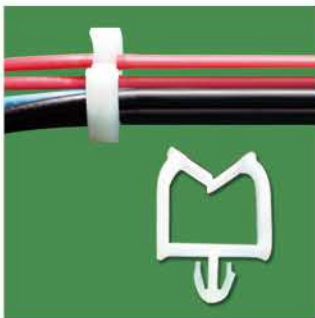
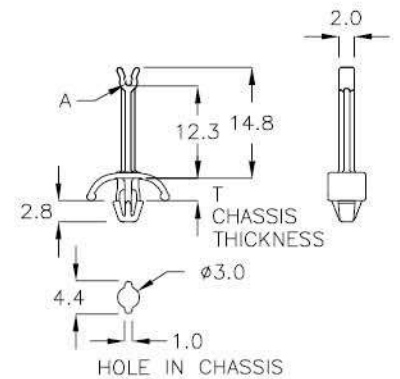
### 隔離束線座 WIRE SADDLE

6-54-2

- MATERIAL: NYLON 66(UL)
- FLAME CLASS: 94V-2
- COLOR: NATURAL

Built-In Anti-Spin Function

| PART NO  | A    | T<br>CHASSIS<br>THICKNESS | PACKAGE |
|----------|------|---------------------------|---------|
| TDF-12CM | ø1.0 | 1.6~2.4                   | 500     |

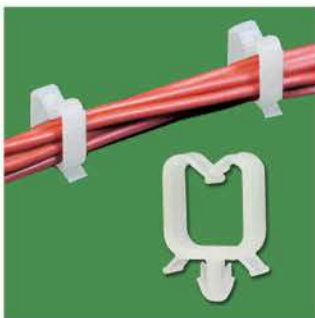
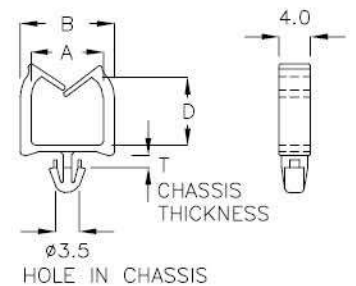


### 隔離束線座 WIRE SADDLE

6-54-3

- MATERIAL: NYLON 66(UL)
- FLAME CLASS: 94V-2
- COLOR: NATURAL

| PART NO | A   | B    | D   | T<br>CHASSIS<br>THICKNESS | PACKAGE |
|---------|-----|------|-----|---------------------------|---------|
| CH-01Y  | 8.8 | 12.0 | 8.5 | 1.0~1.6                   | 2000    |

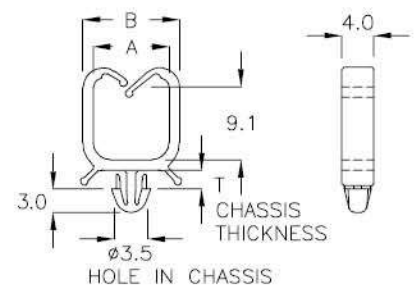


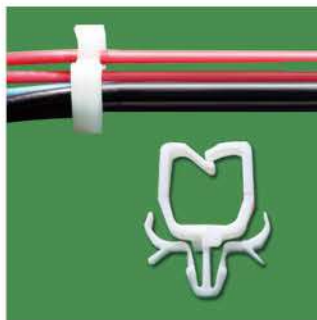
### 隔離束線座 WIRE SADDLE

6-54-4

- MATERIAL: NYLON 66(UL)
- FLAME CLASS: 94V-2
- COLOR: NATURAL

| PART NO | A   | B    | T<br>CHASSIS<br>THICKNESS | PACKAGE |
|---------|-----|------|---------------------------|---------|
| CZB-9C  | 9.5 | 12.1 | 0.6~1.6                   | 500     |



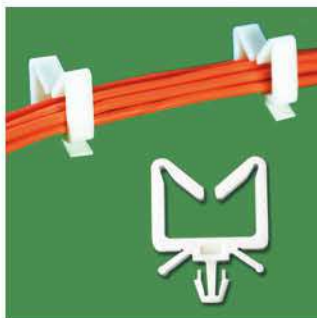
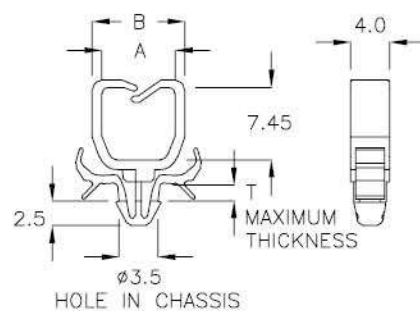


### 隔離束線座 WIRE SADDLE

6-55-1

- MATERIAL: NYLON 66(UL)
- FLAME CLASS: 94V-2
- COLOR: NATURAL

| PART NO | A   | B   | T<br>MAXIMUM<br>THICKNESS | PACKAGE |
|---------|-----|-----|---------------------------|---------|
| CZA-7A  | 7.5 | 9.5 | 1.5                       | 1000    |

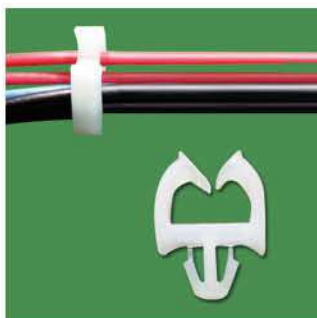
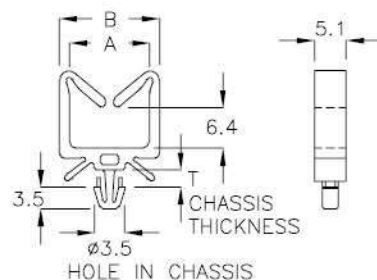


### 隔離束線座 WIRE SADDLE

6-55-2

- MATERIAL: NYLON 66(UL)
- FLAME CLASS: 94V-2
- COLOR: NATURAL

| PART NO | A    | B    | T<br>CHASSIS<br>THICKNESS | PACKAGE |
|---------|------|------|---------------------------|---------|
| CZR-12A | 12.8 | 16.0 | 1.2~2.0                   | 500     |

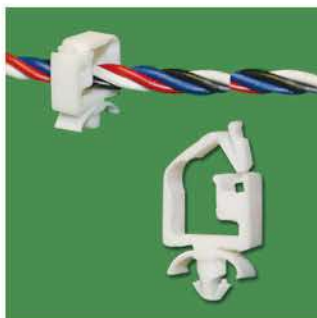
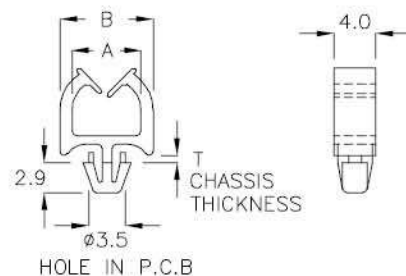


### 隔離束線座 WIRE SADDLE

6-55-3

- MATERIAL: NYLON 66(UL)
- FLAME CLASS: 94V-2
- COLOR: NATURAL

| PART NO | A   | B   | T<br>CHASSIS<br>THICKNESS | PACKAGE |
|---------|-----|-----|---------------------------|---------|
| CH-1QF  | 6.6 | 9.0 | 0.8~1.0                   | 2000    |



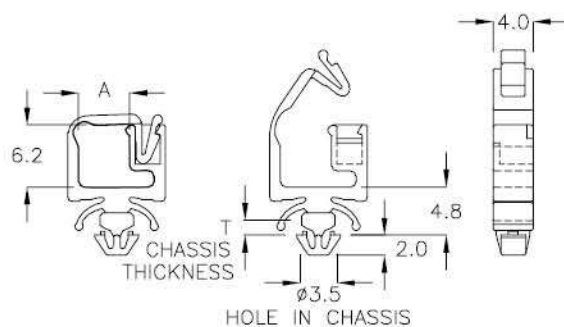
### 隔離束線座 WIRE SADDLE

6-55-4

- MATERIAL: NYLON 66(UL)
- FLAME CLASS: 94V-2
- COLOR: NATURAL

WITH LOCK FEATURE

| PART NO | A   | T<br>CHASSIS<br>THICKNESS | PACKAGE |
|---------|-----|---------------------------|---------|
| CZF-6A  | 5.1 | 0.8~2.0                   | 1000    |

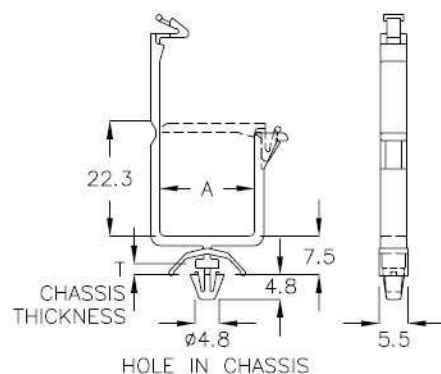




### 隔離束線座 WIRE SADDLE

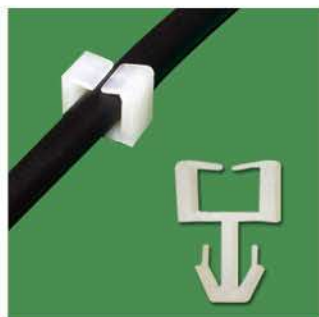
6-56-1

- MATERIAL: NYLON 66(UL)
- FLAME CLASS: 94V-0
- COLOR: BLACK



WITH LOCK FEATURE

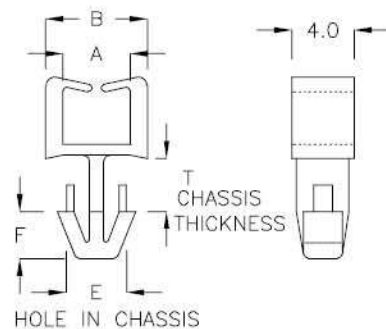
| PART NO | A    | T<br>CHASSIS<br>THICKNESS | PACKAGE |
|---------|------|---------------------------|---------|
| CZX-18K | 18.5 | 2.0~3.0                   | 500     |



### 隔離束線座 WIRE SADDLE

6-56-2

- MATERIAL: NYLON 66(UL)
- FLAME CLASS: 94V-2
- COLOR: NATURAL



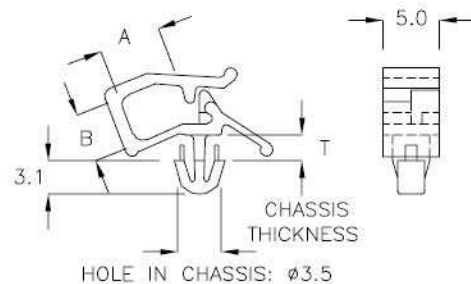
| PART NO | A   | B   | T<br>CHASSIS<br>THICKNESS | E<br>HOLE IN<br>CHASSIS | F   | PACKAGE |
|---------|-----|-----|---------------------------|-------------------------|-----|---------|
| CH-01L  | 4.3 | 6.5 | 2.8~3.0                   | 3.5                     | 3.0 | 2000    |
| CH-1LA  | 4.3 | 6.5 | 0.9~1.1                   | 3.6                     | 3.0 |         |
| CH-1LB  | 4.3 | 6.5 | 3.8~4.0                   | 3.6                     | 3.0 |         |
| CH-01D  | 4.5 | 6.5 | 4.0~4.4                   | 3.5                     | 3.1 |         |
| CH-1KP  | 4.3 | 6.5 | 0.9~1.1                   | 3.6                     | 3.0 |         |



### 隔離束線座 WIRE SADDLE

6-56-3

- MATERIAL: NYLON 66(UL)
- FLAME CLASS: 94V-2
- COLOR: NATURAL



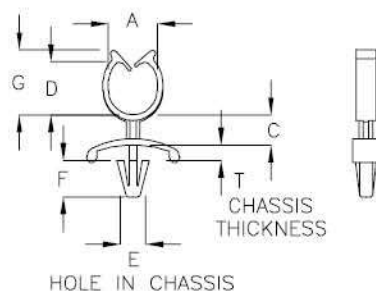
| PART NO | A   | B   | T<br>CHASSIS<br>THICKNESS | PACKAGE |
|---------|-----|-----|---------------------------|---------|
| CH-03   | 5.5 | 4.3 | 1.2~2.0                   | 1000    |
| CH-03F  | 4.2 | 2.6 | 1.6~2.4                   |         |
| CH-03S  | 4.2 | 2.8 | 1.2~2.0                   |         |



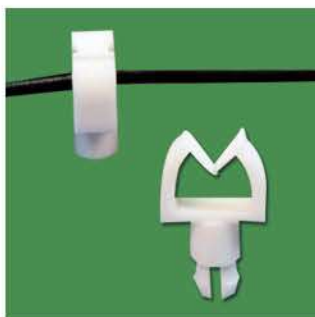
### 隔離束線座 WIRE SADDLE

6-57-1

- MATERIAL: NYLON 66(UL)
- FLAME CLASS: 94V-2
- COLOR: NATURAL



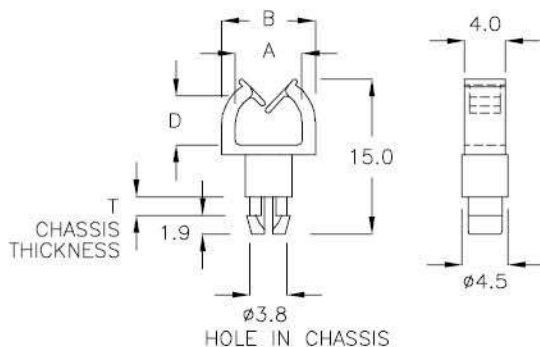
| PART NO | A   | C    | D   | E<br>HOLE IN<br>CHASSIS | F   | G   | T<br>CHASSIS<br>THICKNESS | PACKAGE |
|---------|-----|------|-----|-------------------------|-----|-----|---------------------------|---------|
| TDA-4A  | 7.4 | 4.5  | 8.0 | ø3.3                    | 5.5 | 9.7 | 0.8~1.8                   | 500     |
| TDA-10  | 5.6 | 10.0 | 5.2 | ø3.5                    | 4.0 | 7.0 | 0.8~1.6                   |         |
| TDA-10F | 5.6 | 10.0 | 5.2 | ø3.5                    | 4.0 | 7.0 | 1.4~2.2                   |         |
| TDA-13  | 7.4 | 13.0 | 8.0 | ø3.5                    | 4.2 | 9.7 | 0.6~1.6                   |         |
| TDA-13C | 7.4 | 13.0 | 8.0 | ø3.5                    | 3.1 | 9.7 | 0.6~1.6                   |         |



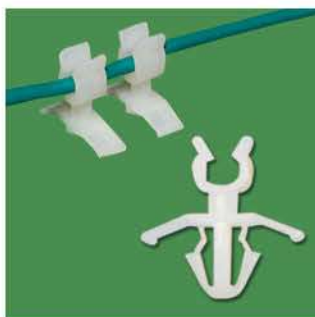
### 隔離束線座 WIRE SADDLE

6-57-2

- MATERIAL: NYLON 66(UL)
- FLAME CLASS: 94V-2
- COLOR: NATURAL



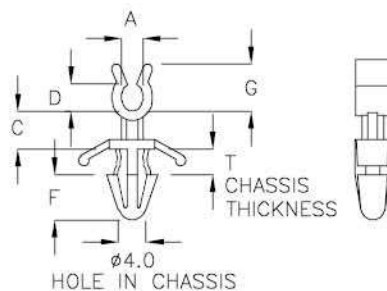
| PART NO | A   | B   | T<br>CHASSIS<br>THICKNESS | D   | PACKAGE |
|---------|-----|-----|---------------------------|-----|---------|
| CH-04A  | 6.5 | 9.1 | 1.4~1.6                   | 4.8 | 1000    |



### 隔離束線座 WIRE SADDLE

6-57-3

- MATERIAL: NYLON 66(UL)
- FLAME CLASS: 94V-2
- COLOR: NATURAL



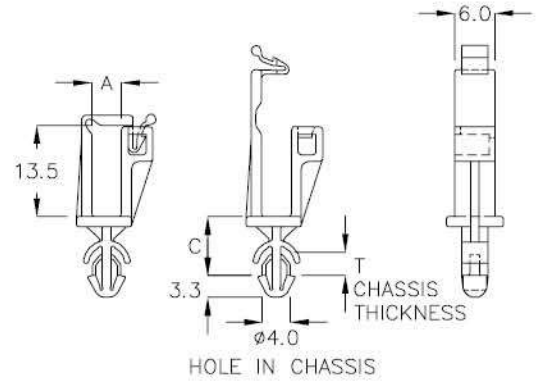
| PART NO | A   | C   | D   | F   | G   | T<br>CHASSIS<br>THICKNESS | PACKAGE |
|---------|-----|-----|-----|-----|-----|---------------------------|---------|
| CS-04A  | 2.3 | 4.0 | 2.9 | 4.9 | 5.0 | 1.6~2.4                   | 1000    |
| CS-04C  | 2.0 | 4.5 | 2.0 | 4.8 | 5.0 | 1.6~2.4                   |         |
| CS-10D  | 3.6 | 8.0 | 4.1 | 5.0 | 6.0 | 0.8~1.0                   | 500     |



### 隔離束線座 WIRE SADDLE

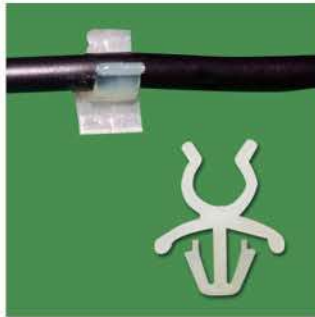
6-58-1

- MATERIAL: NYLON 66(UL)
- FLAME CLASS: 94V-2
- COLOR: NATURAL



WITH LOCK FEATURE

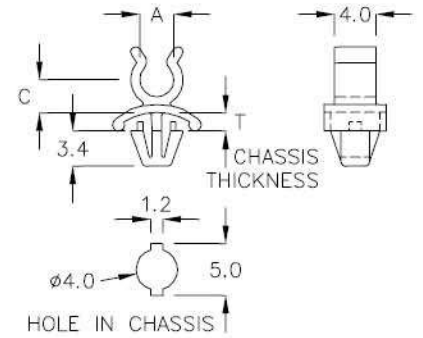
| PART NO | A   | C   | T<br>CHASSIS<br>THICKNESS | PACKAGE |
|---------|-----|-----|---------------------------|---------|
| CZS-4FG | 4.5 | 8.2 | 2.0~2.7                   | 500     |
| CZS-4RK | 4.5 | 8.8 | 2.7~3.6                   |         |



### 隔離束線座 WIRE SADDLE

6-58-2

- MATERIAL: NYLON 66(UL)
- FLAME CLASS: 94V-2
- COLOR: NATURAL



Built-In Anti-Spin Function

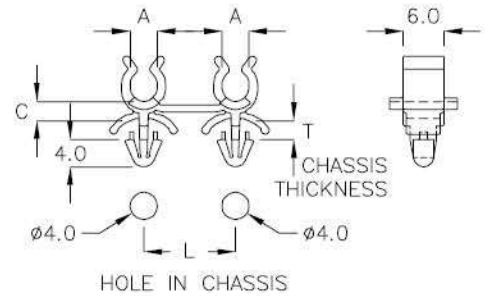
| PART NO | A    | C   | T<br>CHASSIS<br>THICKNESS | PACKAGE |
|---------|------|-----|---------------------------|---------|
| CS-01C  | ø3.3 | 3.2 | 0.8~1.2                   | 2000    |
| CS-1DK  | ø4.2 | 3.4 | 0.8~1.2                   |         |



### 隔離束線座 WIRE SADDLE

6-58-3

- MATERIAL: NYLON 66(UL)
- FLAME CLASS: 94V-2
- COLOR: NATURAL



| PART NO | A    | C    | L    | T<br>CHASSIS<br>THICKNESS | PACKAGE |
|---------|------|------|------|---------------------------|---------|
| 2CS-2WQ | 3.95 | 2.85 | 12.0 | 1.0~1.5                   | 500     |
| 2CS-2YR | 3.95 | 2.85 | 13.5 | 1.0~2.0                   |         |

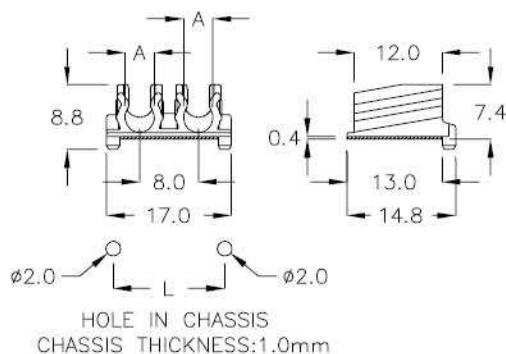




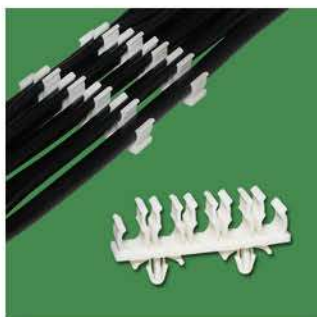
電線固定座 WIRE MOUNT

6-59-1

- MATERIAL: NYLON 66(UL)
- FLAME CLASS: 94V-2
- COLOR: NATURAL
- ADHESIVE TAPE: 3M



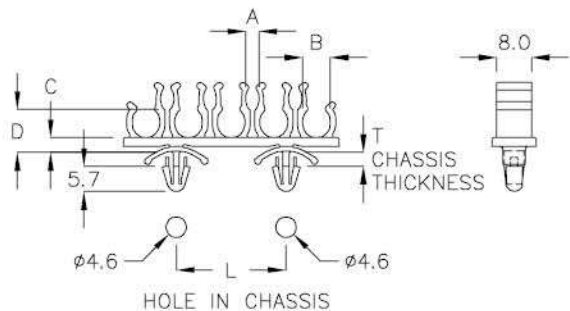
| PART NO | A   | L    | PACKAGE |
|---------|-----|------|---------|
| CMZ-17K | 4.0 | 15.2 | 500     |



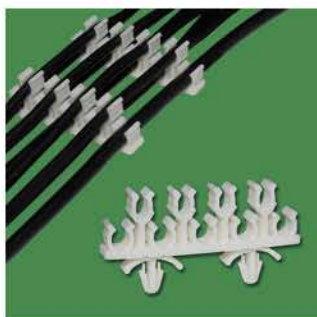
隔離束線座 WIRE SADDLE

6-59-2

- MATERIAL: NYLON 66(UL)
- FLAME CLASS: 94V-2
- COLOR: NATURAL



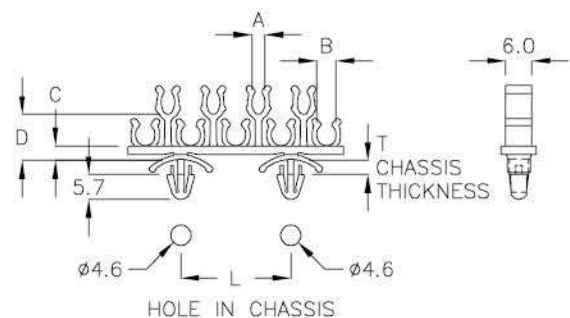
| PART NO  | A   | B   | C   | D    | L    | T<br>CHASSIS<br>THICKNESS | PACKAGE |
|----------|-----|-----|-----|------|------|---------------------------|---------|
| CTX-49DW | 3.0 | 6.3 | 3.3 | 9.75 | 25.0 | 0.8~2.0                   | 200     |



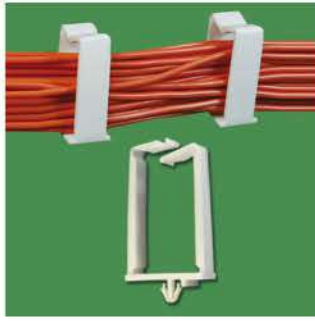
隔離束線座 WIRE SADDLE

6-59-3

- MATERIAL: NYLON 66(UL)
- FLAME CLASS: 94V-2
- COLOR: NATURAL



| PART NO  | A   | B   | C   | D    | L    | T<br>CHASSIS<br>THICKNESS | PACKAGE |
|----------|-----|-----|-----|------|------|---------------------------|---------|
| CTX-49RC | 3.0 | 4.4 | 3.3 | 10.5 | 25.0 | 0.8~2.0                   | 200     |

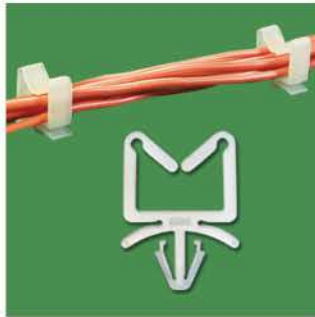
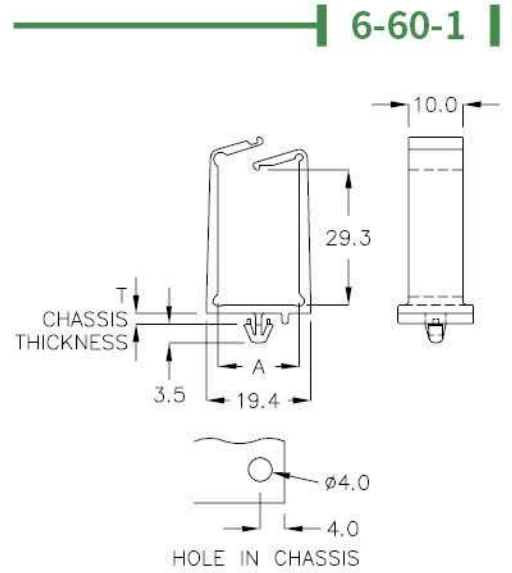


### 隔離束線座 WIRE SADDLE

- MATERIAL: NYLON 66(UL)
- FLAME CLASS: 94V-2
- COLOR: NATURAL

Built-In Anti-Spin Function

| PART NO | A    | T<br>CHASSIS<br>THICKNESS | PACKAGE |
|---------|------|---------------------------|---------|
| CMK-15Q | 15.0 | 1.4~1.7                   | 100     |

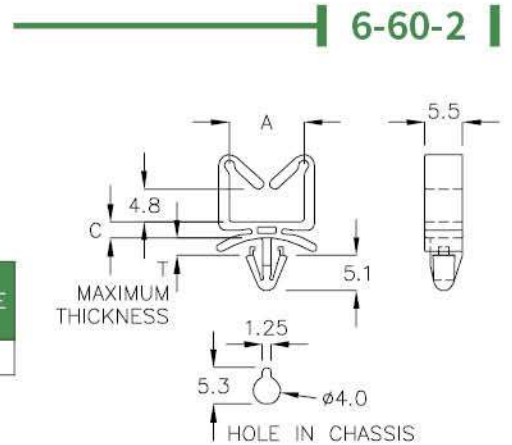


### 隔離束線座 WIRE SADDLE

- MATERIAL: NYLON 66(UL)
- FLAME CLASS: 94V-2
- COLOR: NATURAL

Built-In Anti-Spin Function

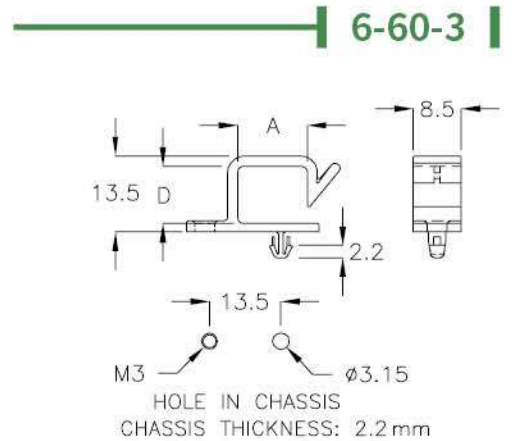
| PART NO  | A    | C    | T<br>MAXIMUM<br>THICKNESS | PACKAGE |
|----------|------|------|---------------------------|---------|
| CZL-10JY | 10.9 | 2.35 | 1.6                       | 500     |



### 隔離束線座 WIRE SADDLE

- MATERIAL: NYLON 66(UL)
- FLAME CLASS: 94V-2
- COLOR: BLACK

| PART NO  | A    | D    | PACKAGE |
|----------|------|------|---------|
| CUK-12ST | 12.4 | 10.2 | 500     |

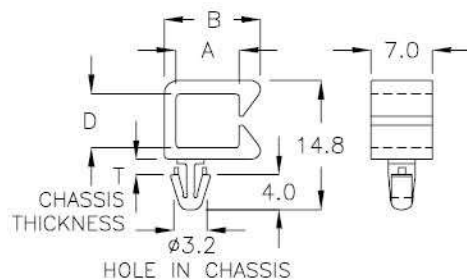




## 隔離束線座 WIRE SADDLE

6-61-1

- MATERIAL: NYLON 66(UL)
- FLAME CLASS: 94V-2
- COLOR: NATURAL



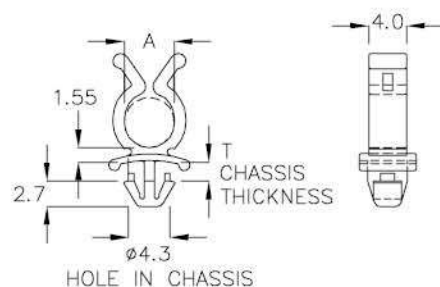
| PART NO | A   | B    | D   | T<br>CHASSIS<br>THICKNESS | PACKAGE |
|---------|-----|------|-----|---------------------------|---------|
| CBG-6PK | 7.3 | 11.0 | 6.2 | 1.6                       | 1000    |



## 隔離束線座 WIRE SADDLE

6-61-2

- MATERIAL: NYLON 66(UL)
- FLAME CLASS: 94V-2
- COLOR: BLACK



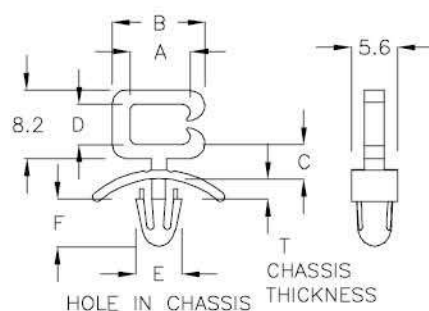
| PART NO | A   | T<br>CHASSIS<br>THICKNESS | PACKAGE |
|---------|-----|---------------------------|---------|
| CSA-5K  | 5.3 | 1.6                       | 1000    |



## 隔離束線座 WIRE SADDLE

6-61-3

- MATERIAL: NYLON 66(UL)
- FLAME CLASS: 94V-2
- COLOR: NATURAL



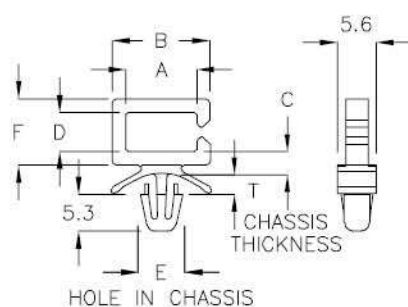
| PART NO | A   | B    | C   | D   | E          | F   | T<br>CHASSIS<br>THICKNESS | PACKAGE |
|---------|-----|------|-----|-----|------------|-----|---------------------------|---------|
| CHM-01  | 7.3 | 11.3 | 4.4 | 4.8 | $\phi 4.5$ | 6.0 | 0.8~1.8                   | 500     |



## 隔離束線座 WIRE SADDLE

6-61-4

- MATERIAL: NYLON 66(UL)
- FLAME CLASS: 94V-2
- COLOR: NATURAL



| PART NO | A    | B    | C    | D   | E           | F   | T<br>CHASSIS<br>THICKNESS | PACKAGE |
|---------|------|------|------|-----|-------------|-----|---------------------------|---------|
| CUH-10A | 10.2 | 14.0 | 3.35 | 5.6 | $\phi 4.75$ | 9.5 | 0.8~1.6                   | 500     |

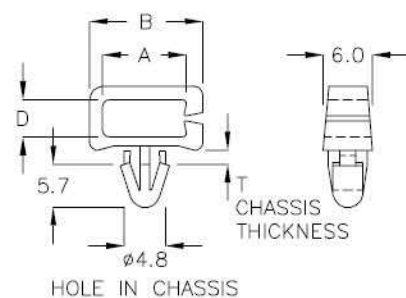


### 隔離束線座 WIRE SADDLE

6-62-1

- MATERIAL: NYLON 66(UL)
- FLAME CLASS: 94V-2
- COLOR: NATURAL

| PART NO | A    | B    | D   | T<br>CHASSIS<br>THICKNESS | PACKAGE |
|---------|------|------|-----|---------------------------|---------|
| CH-02   | 10.4 | 14.3 | 4.6 | 0.8~1.2                   | 1000    |

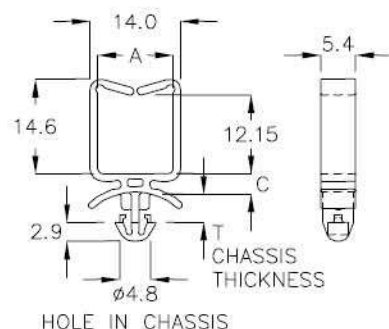


### 隔離束線座 WIRE SADDLE

6-62-2

- MATERIAL: NYLON 66(UL)
- FLAME CLASS: 94V-2
- COLOR: NATURAL

| PART NO | A    | C    | T<br>CHASSIS<br>THICKNESS | PACKAGE |
|---------|------|------|---------------------------|---------|
| CZM-11F | 11.6 | 3.17 | 3.5                       | 500     |



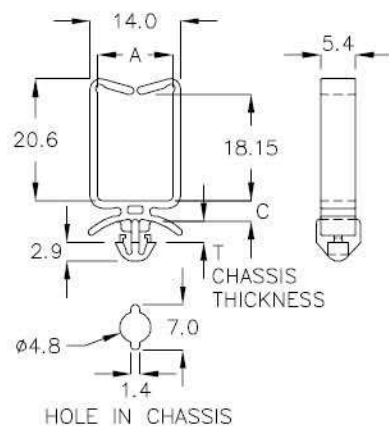
### 隔離束線座 WIRE SADDLE

6-62-3

- MATERIAL: NYLON 66(UL)
- FLAME CLASS: 94V-2
- COLOR: BLACK

Built-In Anti-Spin Function

| PART NO  | A    | C    | T<br>CHASSIS<br>THICKNESS | PACKAGE |
|----------|------|------|---------------------------|---------|
| CZY-11BH | 11.6 | 3.17 | 2.4                       | 500     |



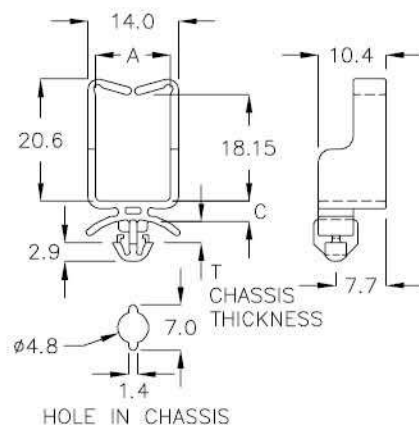
### 隔離束線座 WIRE SADDLE

6-62-4

- MATERIAL: NYLON 66(UL)
- FLAME CLASS: 94V-2
- COLOR: BLACK

Built-In Anti-Spin Function

| PART NO  | A    | C    | T<br>CHASSIS<br>THICKNESS | PACKAGE |
|----------|------|------|---------------------------|---------|
| CZP-11JK | 11.6 | 3.15 | 1.6~2.4                   | 500     |





隔離束線座 WIRE SADDLE

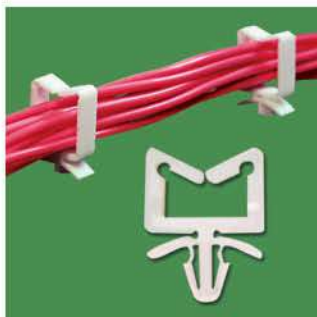
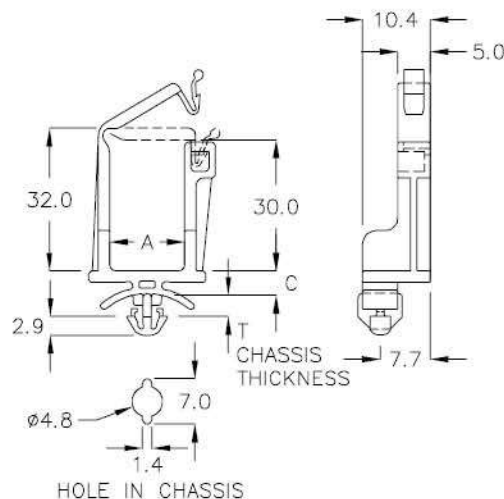
6-63-1

- MATERIAL: NYLON 66(UL)
- FLAME CLASS: 94V-0
- COLOR: BLACK



Built-In Anti-Spin Function

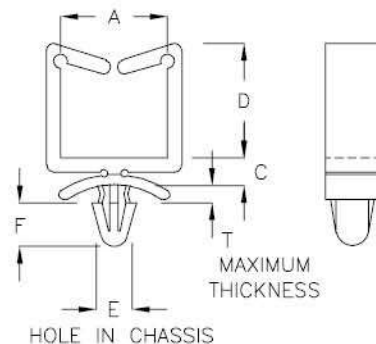
| PART NO    | A    | C   | T<br>CHASSIS<br>THICKNESS | PACKAGE |
|------------|------|-----|---------------------------|---------|
| ★ CZPA-11A | 11.6 | 3.8 | 1.6~2.4                   | 500     |



隔離束線座 WIRE SADDLE

6-63-2

- MATERIAL: NYLON 66(UL)
- FLAME CLASS: 94V-2
- COLOR: NATURAL



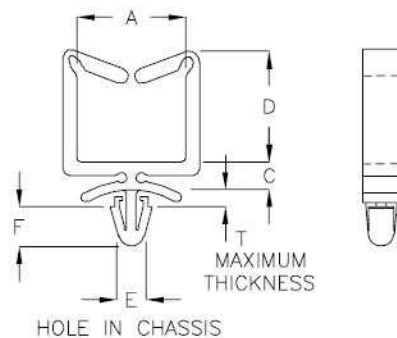
| PART NO | A    | C   | D    | E    | F   | T<br>MAXIMUM<br>THICKNESS | PACKAGE |
|---------|------|-----|------|------|-----|---------------------------|---------|
| CH-05   | 10.9 | 4.1 | 9.7  | ∅4.8 | 5.9 | 1.9                       | 500     |
| CH-10   | 11.0 | 3.9 | 15.0 | ∅4.8 | 5.8 | 1.9                       |         |
| CH-10A  | 10.9 | 4.1 | 11.2 | ∅4.8 | 2.8 | 2.0                       |         |
| CH-10L  | 11.0 | 3.7 | 23.7 | ∅4.8 | 5.6 | 2.1                       |         |
| CH-14   | 14.6 | 4.1 | 15.1 | ∅5.0 | 6.2 | 2.1                       |         |
| CH-14A  | 14.6 | 4.0 | 15.5 | ∅5.0 | 4.2 | 3.0                       |         |
| CH-16   | 15.9 | 4.1 | 16.4 | ∅5.0 | 5.9 | 2.1                       |         |
| CH-29   | 23.0 | 4.8 | 15.9 | ∅5.0 | 6.2 | 1.8                       |         |



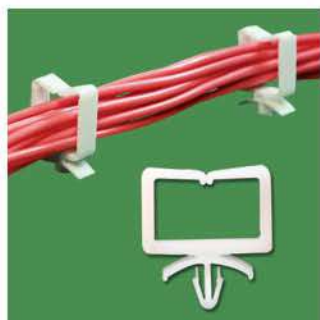
隔離束線座 WIRE SADDLE

6-63-3

- MATERIAL: NYLON 66(UL)
- FLAME CLASS: 94V-2
- COLOR: NATURAL, BLACK



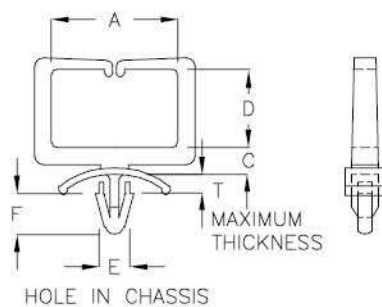
| PART NO | A    | C   | D    | E    | F   | T<br>MAXIMUM<br>THICKNESS | PACKAGE |
|---------|------|-----|------|------|-----|---------------------------|---------|
| CH-16A  | 15.7 | 4.0 | 15.9 | ∅4.8 | 5.7 | 2.1                       | 500     |



### 隔離束線座 WIRE SADDLE

6-64-1

- MATERIAL: NYLON 66(UL)
- FLAME CLASS: 94V-2
- COLOR: NATURAL



E154548(S)  
CH-30(N66 94V-0) UL:E154548(S)

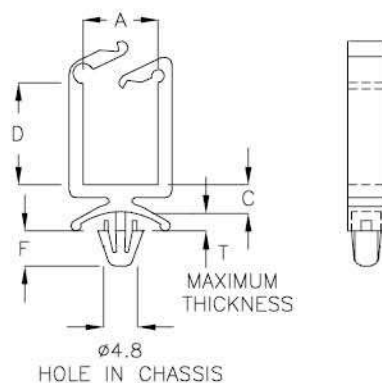
| PART NO | A    | C   | D    | E    | F   | T<br>MAXIMUM THICKNESS | PACKAGE |
|---------|------|-----|------|------|-----|------------------------|---------|
| CH-30   | 22.7 | 4.8 | 13.9 | ø5.0 | 7.1 | 3.2                    | 200     |



### 隔離束線座 WIRE SADDLE

6-64-2

- MATERIAL: NYLON 66(UL)
- FLAME CLASS: 94V-2
- COLOR: NATURAL



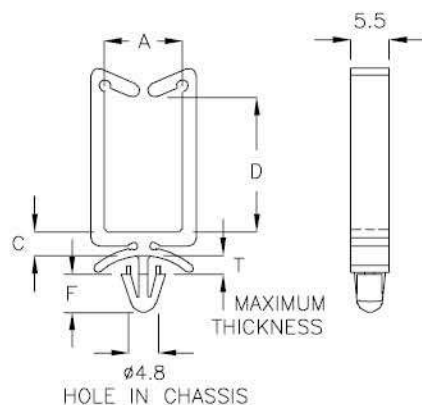
| PART NO | A    | C   | D    | F   | T<br>MAXIMUM THICKNESS | PACKAGE |
|---------|------|-----|------|-----|------------------------|---------|
| CM-10   | 10.8 | 4.1 | 19.4 | 5.0 | 2.0                    | 500     |
| CM-10L  | 23.7 | 4.7 | 32.2 | 5.0 | 2.0                    |         |
| CM-10M  | 10.8 | 4.1 | 10.3 | 5.0 | 2.0                    |         |
| CM-10Q  | 10.8 | 4.1 | 10.3 | 2.4 | 2.0                    |         |
| CM-10S  | 10.8 | 4.1 | 7.3  | 5.0 | 2.0                    |         |



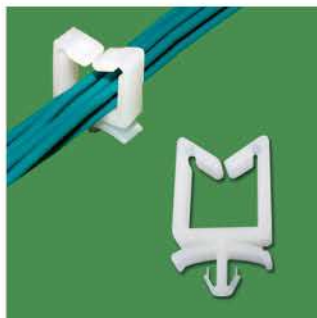
### 隔離束線座 WIRE SADDLE

6-64-3

- MATERIAL: NYLON 66(UL)
- FLAME CLASS: 94V-2
- COLOR: NATURAL, BLACK

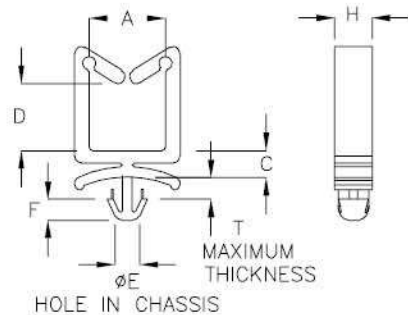


| PART NO | A    | C   | D    | F   | T<br>MAXIMUM THICKNESS | PACKAGE |
|---------|------|-----|------|-----|------------------------|---------|
| CH-10C  | 11.1 | 3.6 | 19.5 | 5.5 | 1.6                    | 500     |



隔離束線座 WIRE SADDLE 6-65-1

- MATERIAL: NYLON 66(UL)
- FLAME CLASS: 94V-2
- COLOR: NATURAL

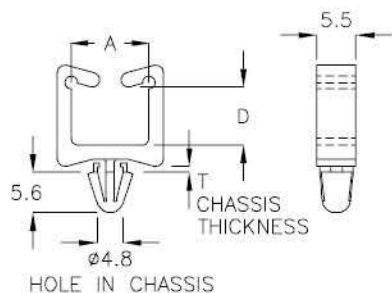


| PART NO | A    | C    | D   | E<br>HOLE IN<br>CHASSIS | F   | H   | T<br>MAXIMUM<br>THICKNESS | PACKAGE |
|---------|------|------|-----|-------------------------|-----|-----|---------------------------|---------|
| CH-10F  | 10.9 | 3.75 | 7.8 | ø4.8                    | 2.7 | 5.4 | 2.4                       | 1000    |
| CH-11   | 11.0 | 3.9  | 9.4 | ø4.8                    | 3.0 | 5.4 | 2.4                       |         |
| CH-16DK | 16.0 | 3.6  | 6.7 | ø4.5                    | 3.8 | 5.0 | 1.0                       | 500     |

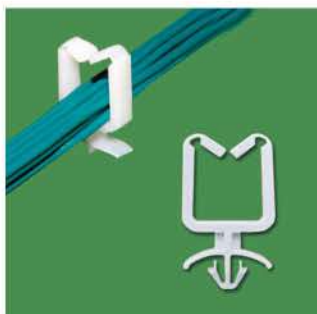


隔離束線座 WIRE SADDLE 6-65-2

- MATERIAL: NYLON 66(UL)
- FLAME CLASS: 94V-2
- COLOR: NATURAL, BLACK



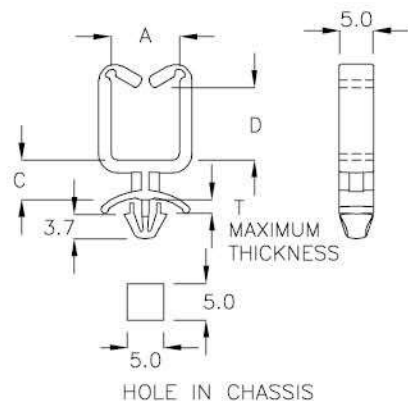
| PART NO | A    | D   | T<br>CHASSIS<br>THICKNESS | PACKAGE |
|---------|------|-----|---------------------------|---------|
| CAC-10A | 10.6 | 8.1 | 1.0                       | 500     |



隔離束線座 WIRE SADDLE 6-65-3

- MATERIAL: NYLON 66(UL)
- FLAME CLASS: 94V-2
- COLOR: NATURAL, BLACK

Built-In Anti-Spin Function



| PART NO | A    | C   | D    | T<br>MAXIMUM<br>THICKNESS | PACKAGE |
|---------|------|-----|------|---------------------------|---------|
| CHL-02  | 10.0 | 5.7 | 10.0 | 1.6                       | 500     |

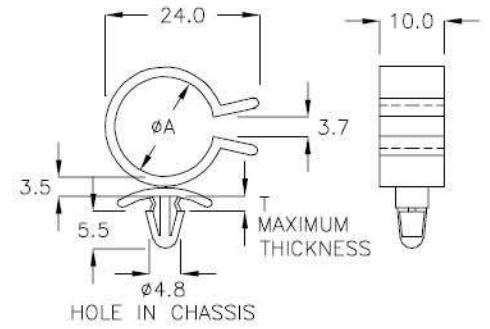


### 隔離束線座 WIRE SADDLE

6-66-1

- MATERIAL: NYLON 66(UL)
- FLAME CLASS: 94V-2
- COLOR: NATURAL

| PART NO | A     | T<br>MAXIMUM<br>THICKNESS | PACKAGE |
|---------|-------|---------------------------|---------|
| CH-20   | ø15.5 | 1.6                       | 500     |

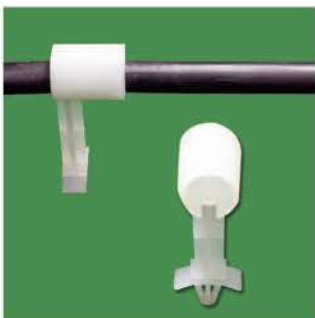
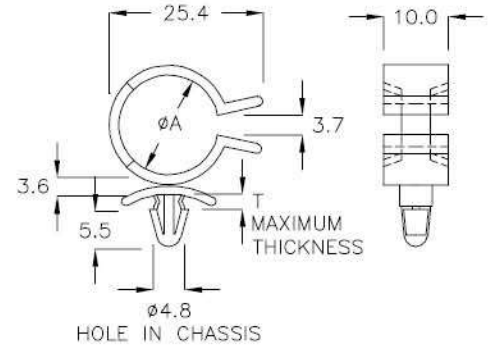


### 隔離束線座 WIRE SADDLE

6-66-2

- MATERIAL: NYLON 66(UL)
- FLAME CLASS: 94V-2
- COLOR: NATURAL

| PART NO | A     | T<br>MAXIMUM<br>THICKNESS | PACKAGE |
|---------|-------|---------------------------|---------|
| CH-20C  | ø15.0 | 1.6                       | 500     |



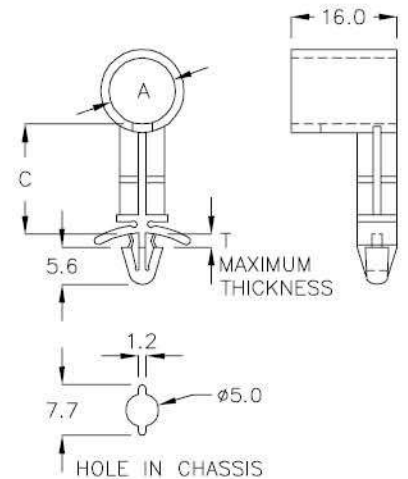
### 隔離束線座 WIRE SADDLE

6-66-3

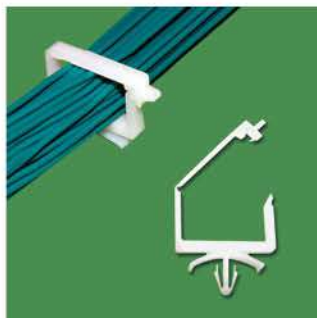
- MATERIAL: NYLON 66(UL)
- FLAME CLASS: 94V-2
- COLOR: NATURAL

Built-In Anti-Spin Function

| PART NO | A     | C    | T<br>MAXIMUM<br>THICKNESS | PACKAGE |
|---------|-------|------|---------------------------|---------|
| CSK-6A  | ø10.0 | 6.4  | 1.6                       | 500     |
| CSK-26A | ø10.0 | 27.0 | 1.6                       |         |





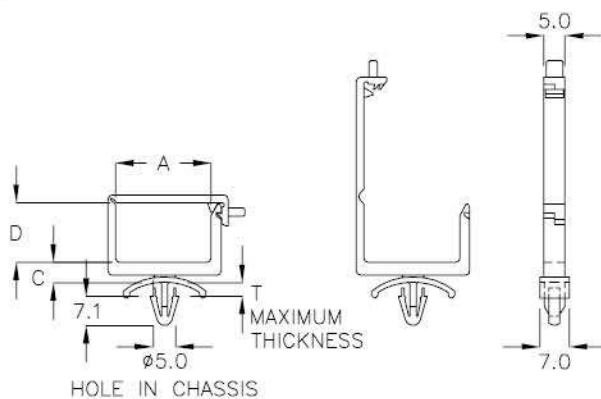


### 隔離束線座 WIRE SADDLE 6-67-1

- MATERIAL: NYLON 66(UL)
- FLAME CLASS: 94V-2
- COLOR: NATURAL

Built-In Anti-Spin Function  
WITH LOCK FEATURE

| PART NO | A    | C   | D    | T<br>MAXIMUM<br>THICKNESS | PACKAGE |
|---------|------|-----|------|---------------------------|---------|
| CH-20A  | 22.9 | 5.3 | 14.2 | 3.2                       | 500     |

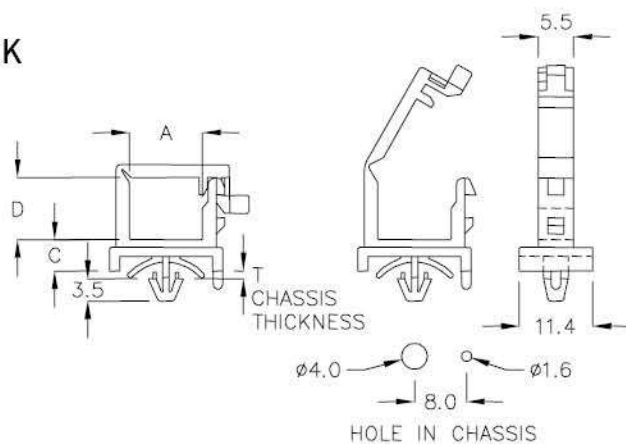


### 隔離束線座 WIRE SADDLE 6-67-2

- MATERIAL: NYLON 66(UL)
- FLAME CLASS: 94V-2
- COLOR: NATURAL, BLACK

Built-In Anti-Spin Function  
WITH LOCK FEATURE

| PART NO | A    | C   | D   | T<br>CHASSIS<br>THICKNESS | PACKAGE |
|---------|------|-----|-----|---------------------------|---------|
| CKS-10A | 11.0 | 4.8 | 9.5 | 0.8~1.0                   | 500     |

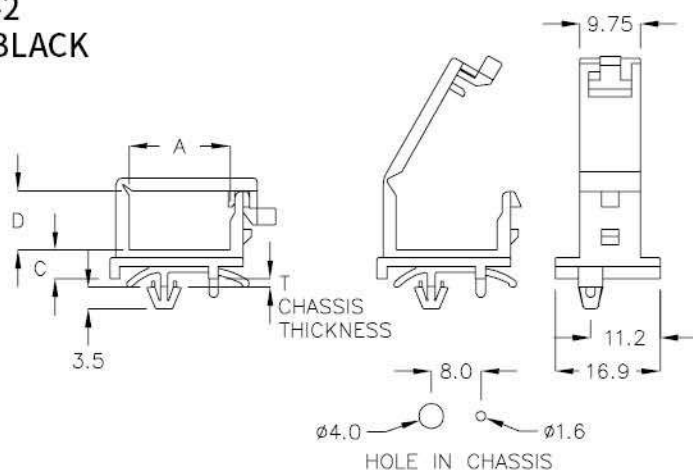


### 隔離束線座 WIRE SADDLE 6-67-3

- MATERIAL: NYLON 66(UL)
- FLAME CLASS: 94V-2
- COLOR: NATURAL, BLACK

Built-In Anti-Spin Function  
WITH LOCK FEATURE

| PART NO | A    | C   | D   | T<br>CHASSIS<br>THICKNESS | PACKAGE |
|---------|------|-----|-----|---------------------------|---------|
| CKS-16C | 16.0 | 4.6 | 9.5 | 0.8~1.2                   | 500     |





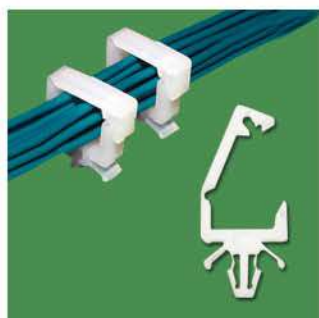
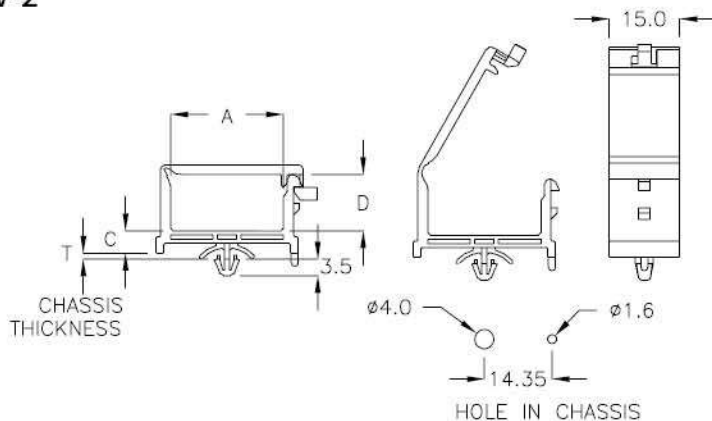
### 隔離束線座 WIRE SADDLE

6-68-1

- MATERIAL: NYLON 66(UL)
- FLAME CLASS: 94V-2
- COLOR: NATURAL

Built-In Anti-Spin Function WITH LOCK FEATURE

| PART NO | A    | C   | D    | T<br>CHASSIS THICKNESS | PACKAGE |
|---------|------|-----|------|------------------------|---------|
| CKS-24  | 24.0 | 4.7 | 12.0 | 0.8~1.0                | 200     |



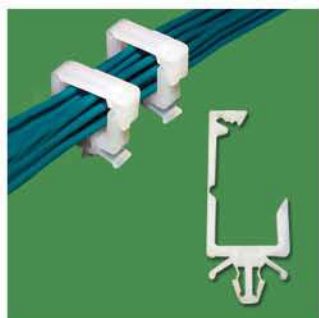
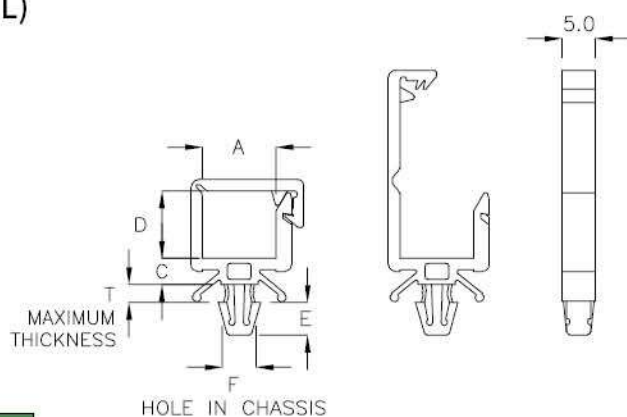
### 隔離束線座 WIRE SADDLE

6-68-2

- MATERIAL: NYLON 66(UL)
- FLAME CLASS: 94V-2
- COLOR: NATURAL

WITH LOCK FEATURE

| PART NO | A    | C   | D    | E   | F         | T<br>MAXIMUM THICKNESS | PACKAGE |
|---------|------|-----|------|-----|-----------|------------------------|---------|
| CK-5    | 11.0 | 4.0 | 5.2  | 5.1 | ∅4.8~∅5.0 | 2.4                    | 500     |
| CK-10   | 11.0 | 4.0 | 10.2 | 5.1 | ∅4.8~∅5.0 | 2.4                    |         |
| CK-13HJ | 22.8 | 4.0 | 13.6 | 4.9 | ∅4.8      | 0.5~1.0                |         |
| CK-014  | 16.0 | 4.0 | 14.2 | 5.1 | ∅4.8~∅5.0 | 2.4                    |         |



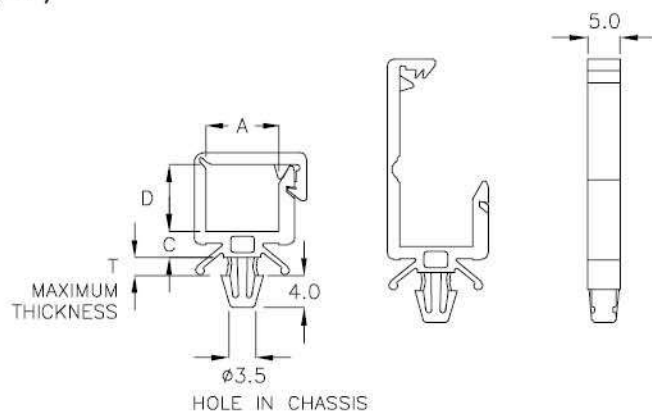
### 隔離束線座 WIRE SADDLE

6-68-3

- MATERIAL: NYLON 66(UL)
- FLAME CLASS: 94V-2
- COLOR: NATURAL

WITH LOCK FEATURE

| PART NO | A    | C   | D    | T<br>MAXIMUM THICKNESS | PACKAGE |
|---------|------|-----|------|------------------------|---------|
| CHJ-05  | 11.0 | 4.0 | 5.2  | 2.4                    | 500     |
| CHJ-10  | 11.0 | 4.0 | 10.2 | 2.4                    |         |



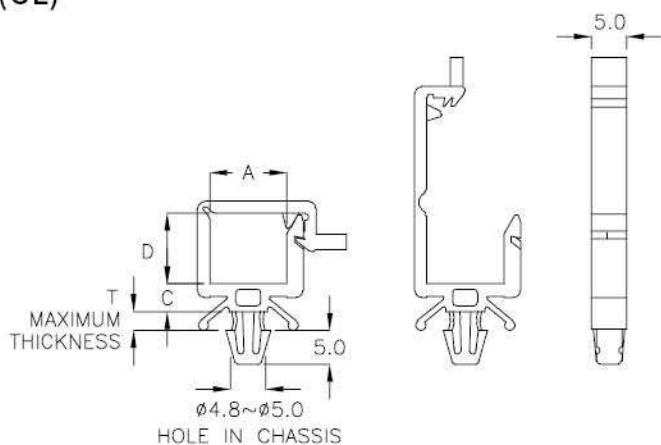


隔離束線座 WIRE SADDLE 6-69-1

- MATERIAL: NYLON 66(UL)
- FLAME CLASS: 94V-2
- COLOR: NATURAL

WITH LOCK FEATURE

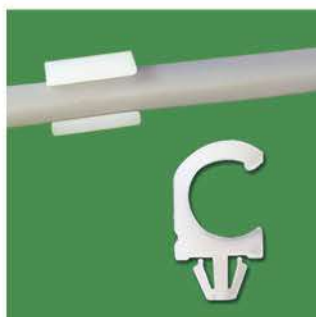
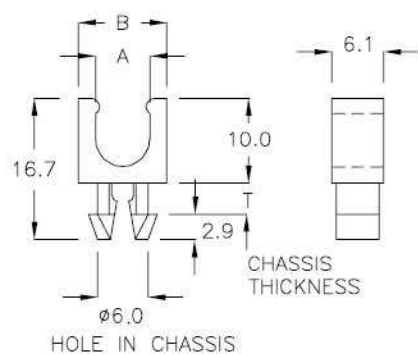
| PART NO | A    | C   | D    | T<br>MAXIMUM THICKNESS | PACKAGE |
|---------|------|-----|------|------------------------|---------|
| CK-10A  | 11.0 | 4.0 | 10.4 | 2.4                    | 500     |
| CK-14A  | 16.0 | 4.0 | 14.0 | 2.4                    |         |



隔離束線座 WIRE SADDLE 6-69-2

- MATERIAL: NYLON 66(UL)
- FLAME CLASS: 94V-2
- COLOR: BLACK

| PART NO | A   | B    | T<br>CHASSIS THICKNESS | PACKAGE |
|---------|-----|------|------------------------|---------|
| CH-01   | 7.5 | 10.5 | 3.5                    | 1000    |

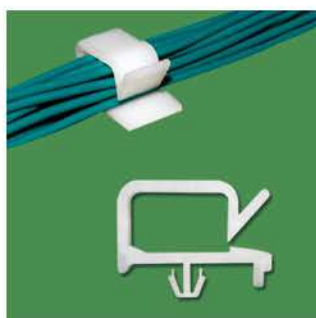
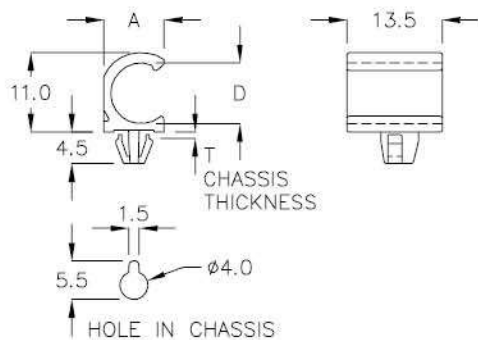


隔離束線座 WIRE SADDLE 6-69-3

- MATERIAL: NYLON 66(UL)
- FLAME CLASS: 94V-2
- COLOR: NATURAL

Built-In Anti-Spin Function

| PART NO | A   | D    | T<br>CHASSIS THICKNESS | PACKAGE |
|---------|-----|------|------------------------|---------|
| CHK-01  | 8.6 | ø8.4 | 0.8                    | 500     |

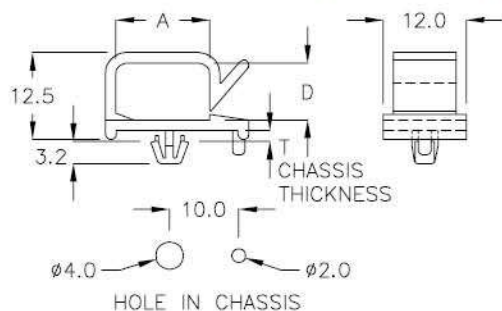


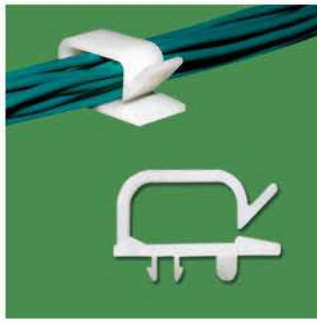
電線固定座 TIE MOUNT 6-69-4

- MATERIAL: NYLON 66(UL)
- FLAME CLASS: 94V-2
- COLOR: NATURAL

Built-In Anti-Spin Function

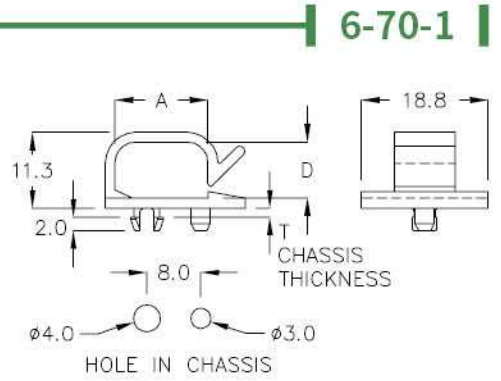
| PART NO | A    | D   | T<br>CHASSIS THICKNESS | PACKAGE |
|---------|------|-----|------------------------|---------|
| FWS-01  | 13.6 | 8.2 | 0.8~1.2                | 500     |





### 電線固定座 TIE MOUNT

- MATERIAL: NYLON 66(UL)
- FLAME CLASS: 94V-2
- COLOR: NATURAL



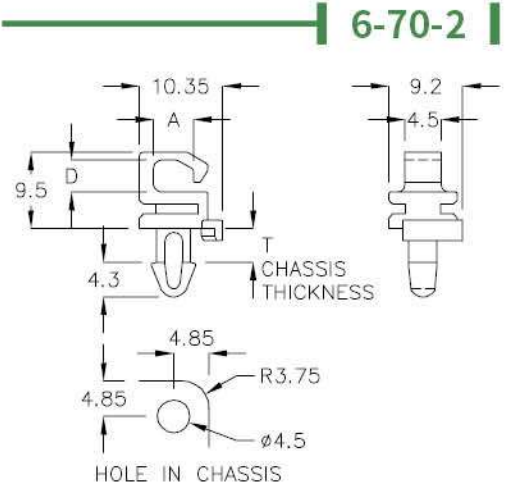
Built-In Anti-Spin Function

| PART NO | A    | D   | T<br>CHASSIS<br>THICKNESS | PACKAGE |
|---------|------|-----|---------------------------|---------|
| FWS-02  | 13.8 | 8.3 | 0.8~1.0                   | 500     |



### 隔離束線座 WIRE SADDLE

- MATERIAL: NYLON 66(UL)
- FLAME CLASS: 94V-2
- COLOR: BLACK

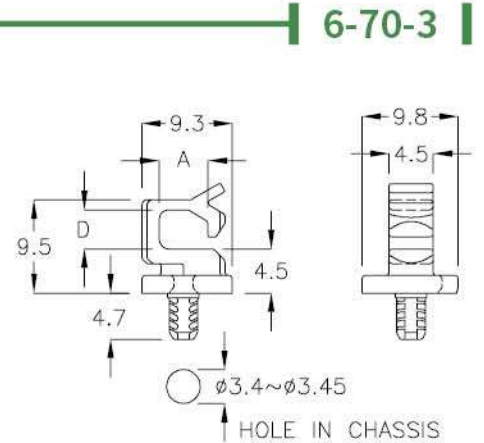


| PART NO | A   | D   | T<br>CHASSIS<br>THICKNESS | PACKAGE |
|---------|-----|-----|---------------------------|---------|
| CYW-5K  | 5.0 | 4.0 | 4.0                       | 1000    |



### 隔離束線座 WIRE SADDLE

- MATERIAL: NYLON 66(UL)
- FLAME CLASS: 94V-0
- COLOR: NATURAL

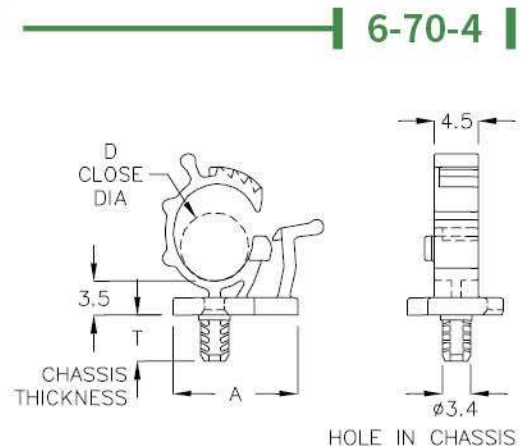


| PART NO  | A   | D   | PACKAGE |
|----------|-----|-----|---------|
| CFK-14TS | 5.0 | 4.0 | 1000    |



### 電線固定座 WIRE MOUNT

- MATERIAL: NYLON 66(UL)
- FLAME CLASS: 94V-0
- COLOR: NATURAL



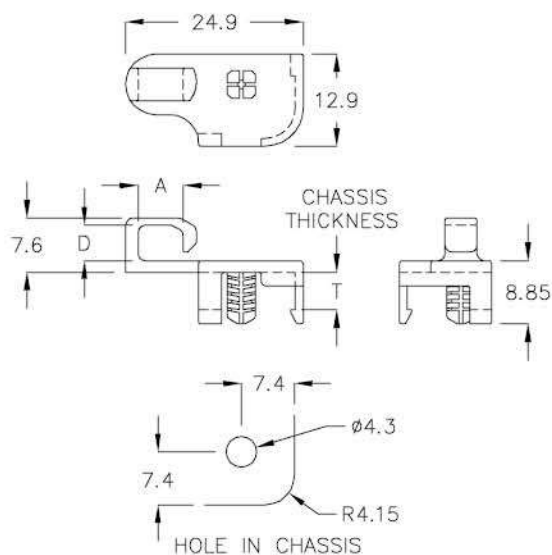
| PART NO  | A     | D<br>CLOSE<br>DIA | T<br>CHASSIS<br>THICKNESS | PACKAGE |
|----------|-------|-------------------|---------------------------|---------|
| ★ CFKA-6 | 12.75 | φ6.0~φ7.0         | 5.0                       | 1000    |



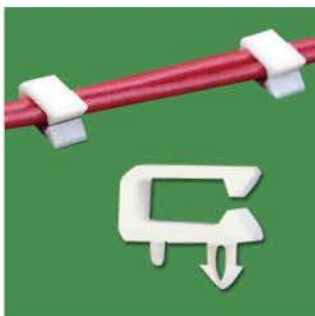
### 隔離束線座 WIRE SADDLE

6-71-1

- MATERIAL: NYLON 66(UL)
- FLAME CLASS: 94V-2
- COLOR: BLACK



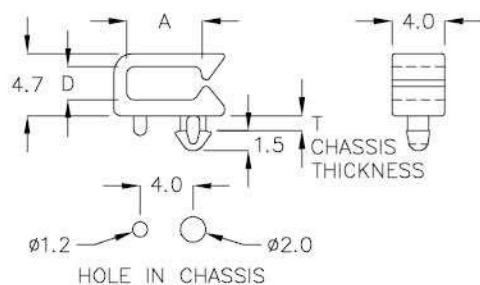
| PART NO   | A    | D   | T<br>CHASSIS<br>THICKNESS | PACKAGE |
|-----------|------|-----|---------------------------|---------|
| CYWF-24GH | 6.35 | 5.0 | 5.0                       | 500     |



### 隔離束線座 WIRE SADDLE

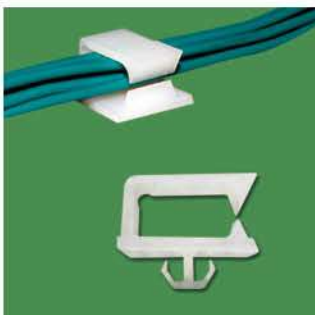
6-71-2

- MATERIAL: NYLON 66(UL)
- FLAME CLASS: 94V-2
- COLOR: NATURAL



Built-In Anti-Spin Function

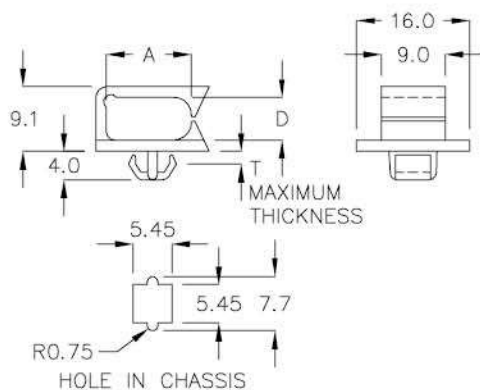
| PART NO | A   | D   | T<br>CHASSIS<br>THICKNESS | PACKAGE |
|---------|-----|-----|---------------------------|---------|
| CUA-8K  | 5.6 | 2.5 | 1.0                       | 1000    |



### 隔離束線座 WIRE SADDLE

6-71-3

- MATERIAL: NYLON 66(UL)
- FLAME CLASS: 94V-2
- COLOR: NATURAL



Built-In Anti-Spin Function

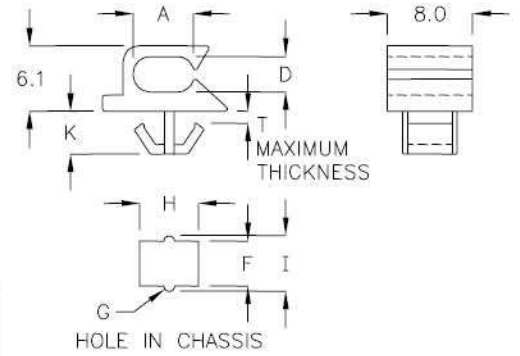
| PART NO | A    | D   | T<br>MAXIMUM<br>THICKNESS | PACKAGE |
|---------|------|-----|---------------------------|---------|
| CU-04   | 12.0 | 6.0 | 1.0                       | 500     |



### 隔離束線座 WIRE SADDLE

6-72-1

- MATERIAL: NYLON 66(UL)
- FLAME CLASS: 94V-2
- COLOR: BLACK



Built-In Anti-Spin Function

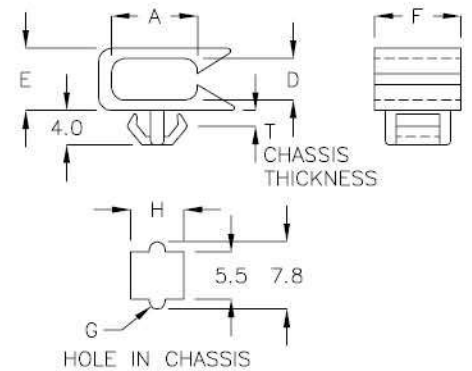
| PART NO | A   | D   | F   | G     | H   | I   | K   | T<br>MAXIMUM THICKNESS | PACKAGE |
|---------|-----|-----|-----|-------|-----|-----|-----|------------------------|---------|
| CU-01H  | 5.6 | 3.3 | 4.2 | R0.5  | 5.5 | 5.2 | 4.0 | 1.0                    | 1000    |
| CU-01K  | 5.6 | 3.3 | 4.2 | R0.5  | 5.5 | 5.2 | 4.3 | 1.2                    | 2000    |
| CU-1RS  | 5.6 | 3.3 | 4.1 | R0.55 | 4.3 | 5.1 | 4.3 | 1.1                    | 1000    |



### 隔離束線座 WIRE SADDLE

6-72-2

- MATERIAL: NYLON 66(UL)
- FLAME CLASS: 94V-2
- COLOR: NATURAL, BLACK



Built-In Anti-Spin Function

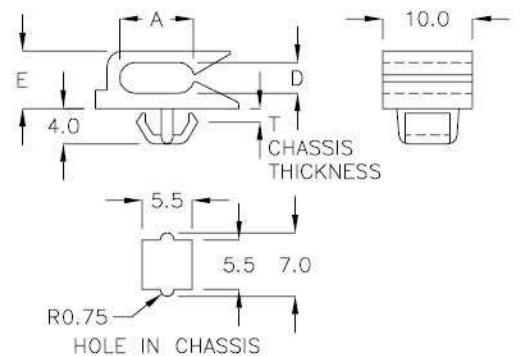
| PART NO | A    | D   | E   | F    | G     | H   | T<br>CHASSIS THICKNESS | PACKAGE |
|---------|------|-----|-----|------|-------|-----|------------------------|---------|
| CU-2C   | 4.2  | 2.5 | 5.1 | 9.4  | R0.9  | 6.2 | 1.0~1.2                | 1000    |
| CU-03   | 10.0 | 4.8 | 7.2 | 10.0 | R0.85 | 5.5 | 0.6~0.8                |         |



### 隔離束線座 WIRE SADDLE

6-72-3

- MATERIAL: NYLON 66(UL)
- FLAME CLASS: 94V-2
- COLOR: NATURAL



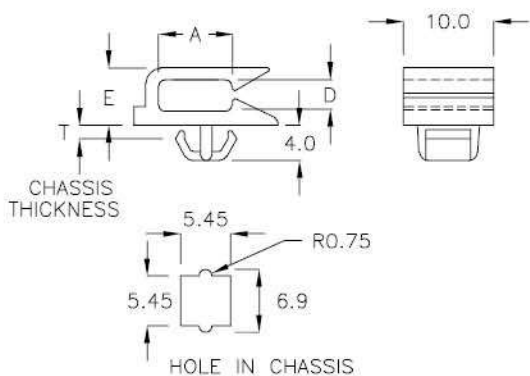
Built-In Anti-Spin Function

| PART NO | A   | D   | E   | T<br>CHASSIS THICKNESS | PACKAGE |
|---------|-----|-----|-----|------------------------|---------|
| CU-01   | 8.2 | 3.3 | 6.4 | 0.8~1.0                | 1000    |
| CU-01F  | 9.0 | 4.6 | 7.6 | 0.8~1.0                |         |



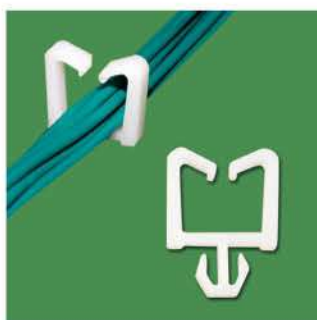
隔離束線座 WIRE SADDLE | 6-73-1 |

- MATERIAL: NYLON 66(UL)
- FLAME CLASS: 94V-2
- COLOR: NATURAL



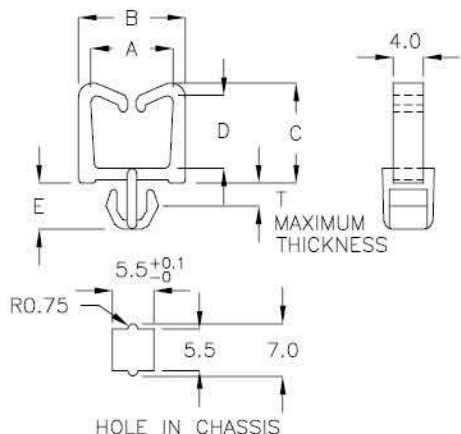
Built-In Anti-Spin Function

| PART NO | A   | D   | E   | T<br>CHASSIS<br>THICKNESS | PACKAGE |
|---------|-----|-----|-----|---------------------------|---------|
| CU-01J  | 9.0 | 4.6 | 7.6 | 0.8~1.0                   | 500     |



隔離束線座 WIRE SADDLE | 6-73-2 |

- MATERIAL: NYLON 66(UL)
- FLAME CLASS: 94V-2
- COLOR: NATURAL



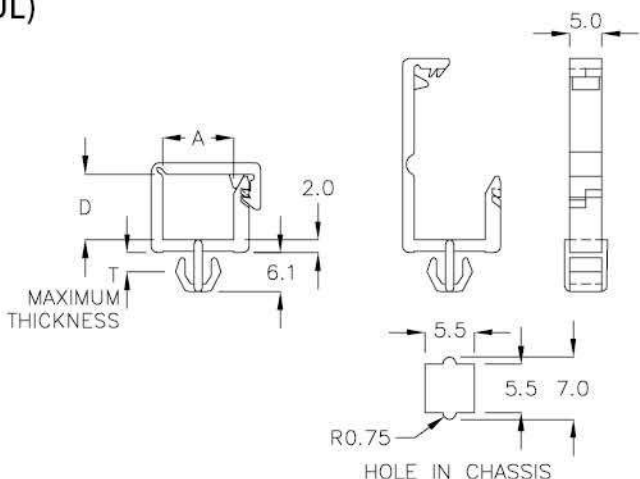
Built-In Anti-Spin Function

| PART NO | A    | B    | C    | D    | E   | T<br>MAXIMUM<br>THICKNESS | PACKAGE |
|---------|------|------|------|------|-----|---------------------------|---------|
| CH-08   | 10.9 | 14.3 | 13.5 | 9.7  | 6.3 | 2.2                       | 500     |
| CH-08L  | 12.0 | 16.8 | 13.5 | 9.4  | 5.8 | 1.6                       |         |
| CH-08A  | 11.0 | 14.3 | 15.7 | 12.0 | 6.1 | 2.2                       |         |



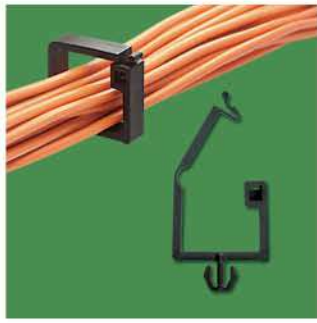
隔離束線座 WIRE SADDLE | 6-73-3 |

- MATERIAL: NYLON 66(UL)
- FLAME CLASS: 94V-2
- COLOR: NATURAL



Built-In Anti-Spin Function  
WITH LOCK FEATURE

| PART NO | A    | D    | T<br>MAXIMUM<br>THICKNESS | PACKAGE |
|---------|------|------|---------------------------|---------|
| CKH-11  | 11.1 | 10.5 | 2.0                       | 500     |
| CKH-13  | 16.0 | 14.5 | 2.0                       |         |

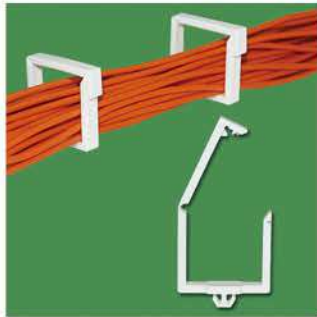
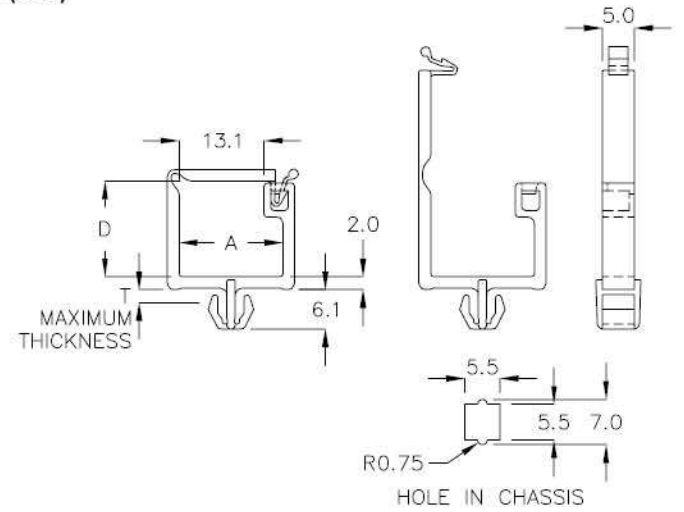


隔離束線座 WIRE SADDLE 6-74-1

- MATERIAL: NYLON 66(UL)
- FLAME CLASS: 94V-2
- COLOR: BLACK

Built-In Anti-Spin Function WITH LOCK FEATURE

| PART NO | A    | D    | T<br>MAXIMUM THICKNESS | PACKAGE |
|---------|------|------|------------------------|---------|
| CKHA-16 | 16.0 | 14.5 | 2.0                    | 500     |

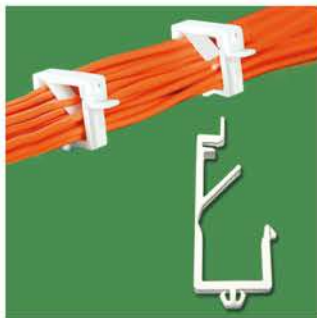
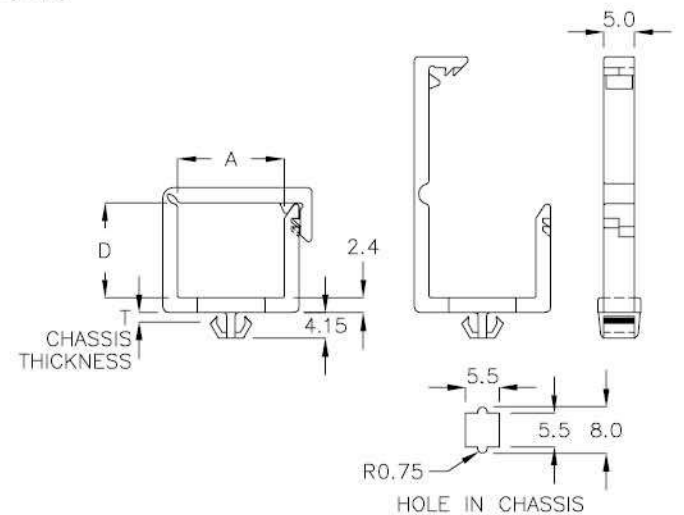


隔離束線座 WIRE SADDLE 6-74-2

- MATERIAL: NYLON 66(UL)
- FLAME CLASS: 94V-2
- COLOR: WHITE

Built-In Anti-Spin Function WITH LOCK FEATURE

| PART NO | A    | D    | T<br>CHASSIS THICKNESS | PACKAGE |
|---------|------|------|------------------------|---------|
| CKH-22A | 22.2 | 21.5 | 0.8~1.0                | 500     |

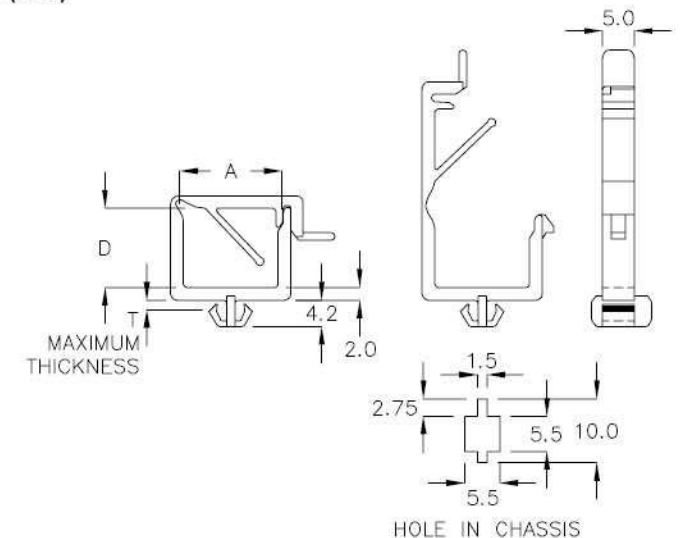


隔離束線座 WIRE SADDLE 6-74-3

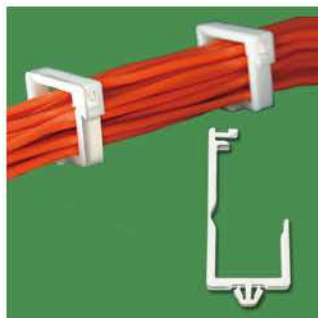
- MATERIAL: NYLON 66(UL)
- FLAME CLASS: 94V-2
- COLOR: NATURAL

Built-In Anti-Spin Function WITH LOCK FEATURE

| PART NO | A    | D    | T<br>MAXIMUM THICKNESS | PACKAGE |
|---------|------|------|------------------------|---------|
| CYH-16C | 16.0 | 14.0 | 0.6                    | 500     |





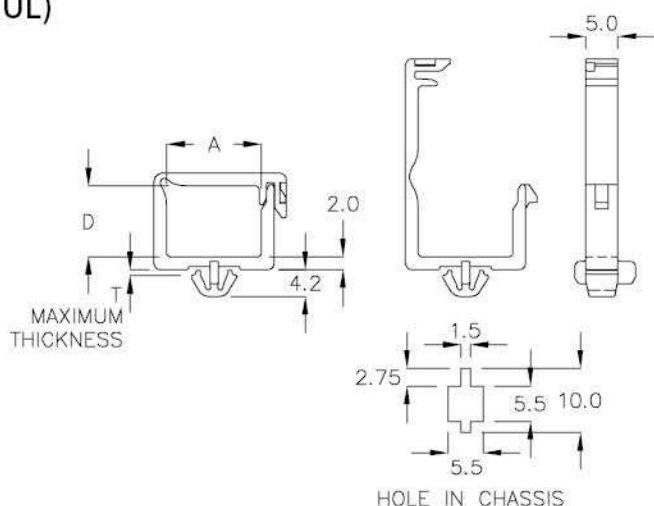


隔離束線座 WIRE SADDLE | 6-75-1 |

- MATERIAL: NYLON 66(UL)
- FLAME CLASS: 94V-2
- COLOR: NATURAL

Built-In Anti-Spin Function WITH LOCK FEATURE

| PART NO | A    | D    | T<br>MAXIMUM THICKNESS | PACKAGE |
|---------|------|------|------------------------|---------|
| CYK-16G | 16.0 | 14.2 | 0.6                    | 500     |

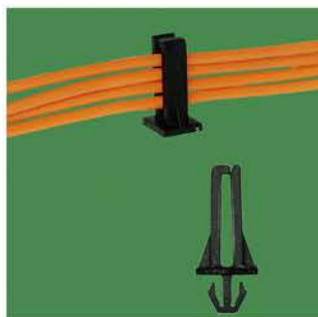
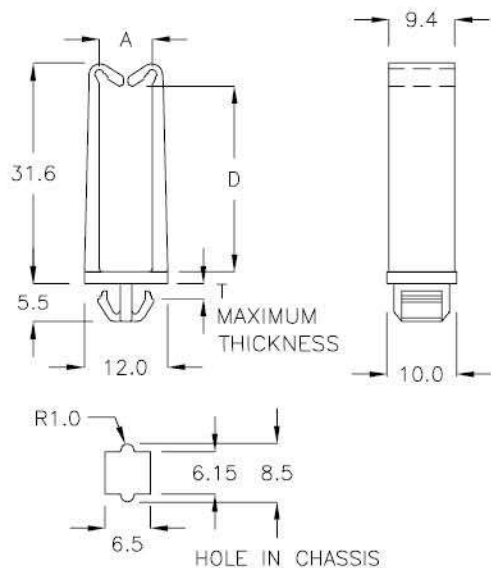


隔離束線座 WIRE SADDLE | 6-75-2 |

- MATERIAL: NYLON 66(UL)
- FLAME CLASS: 94V-2
- COLOR: NATURAL

Built-In Anti-Spin Function

| PART NO | A   | D    | T<br>MAXIMUM THICKNESS | PACKAGE |
|---------|-----|------|------------------------|---------|
| CMB-7A  | 7.6 | 26.8 | 1.6                    | 200     |



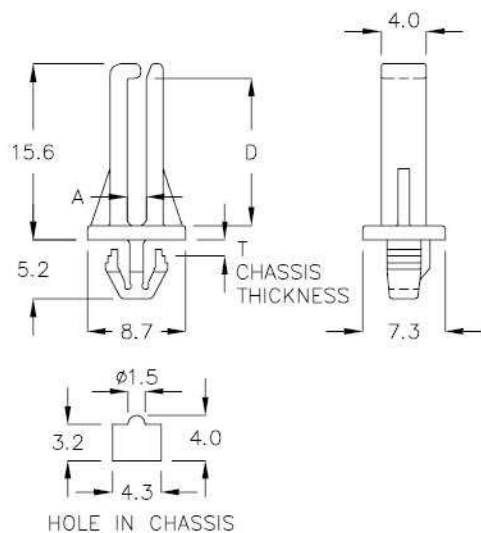
隔離束線座 WIRE SADDLE | 6-75-3 |

- MATERIAL: NYLON 66(UL)
- FLAME CLASS: 94V-0
- COLOR: BLACK



Built-In Anti-Spin Function

| PART NO   | A   | D    | T<br>CHASSIS THICKNESS | PACKAGE |
|-----------|-----|------|------------------------|---------|
| ★ CMBF-1K | 1.7 | 13.0 | 1.2                    | 200     |



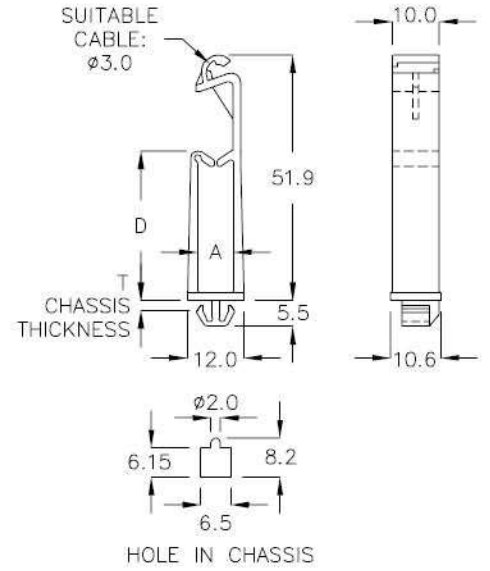


### 電線固定座 WIRE MOUNT

- MATERIAL: NYLON 66(UL)
- FLAME CLASS: 94V-2
- COLOR: BLACK

Built-In Anti-Spin Function

| PART NO | A   | D    | T<br>CHASSIS<br>THICKNESS | PACKAGE |
|---------|-----|------|---------------------------|---------|
| CYS-7TK | 7.6 | 31.6 | 1.2~1.6                   | 100     |

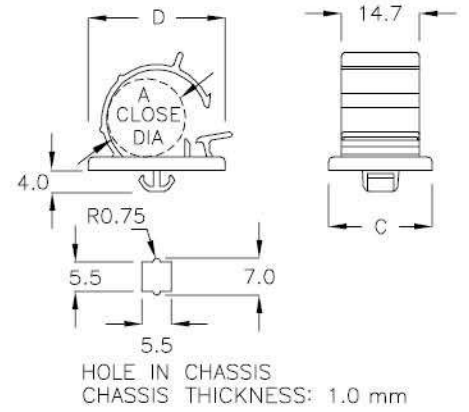


### 電線固定座 WIRE MOUNT

- MATERIAL: NYLON 66(UL)
- FLAME CLASS: 94V-2
- COLOR: BLACK

Built-In Anti-Spin Function  
WITH LOCK FEATURE

| PART NO | A           | C    | D    | PACKAGE |
|---------|-------------|------|------|---------|
| CD-4    | $\phi 12.6$ | 19.6 | 25.8 | 100     |

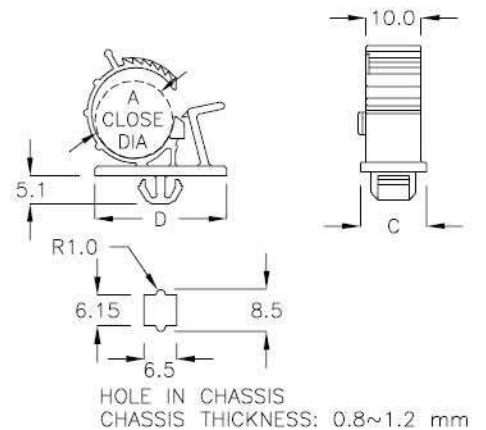


### 電線固定座 WIRE MOUNT

- MATERIAL: NYLON 66(UL)
- FLAME CLASS: 94V-2
- COLOR: BLACK

Built-In Anti-Spin Function  
WITH LOCK FEATURE

| PART NO | A                     | C    | D    | PACKAGE |
|---------|-----------------------|------|------|---------|
| CDF-24  | $\phi 11.0 \sim 13.0$ | 12.0 | 24.0 | 100     |



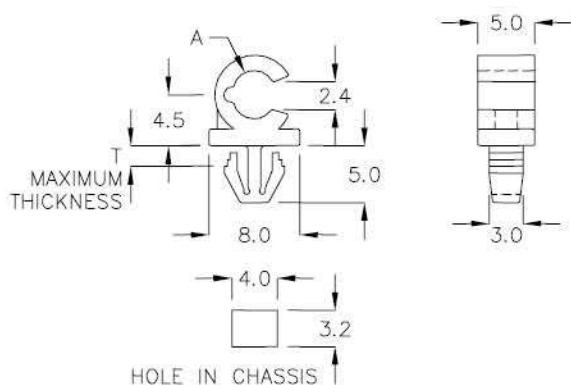


## 隔離束線座 WIRE SADDLE 6-77-1

- MATERIAL: NYLON 66(UL)
- FLAME CLASS: 94V-2
- COLOR: NATURAL

Built-In Anti-Spin Function

| PART NO | A    | T<br>MAXIMUM<br>THICKNESS | PACKAGE |
|---------|------|---------------------------|---------|
| CH-04C  | ø4.0 | 1.0                       | 1000    |

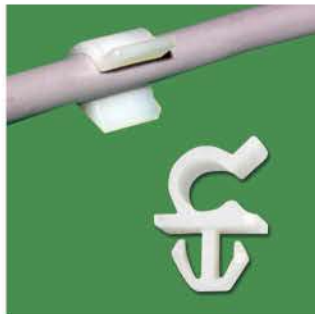
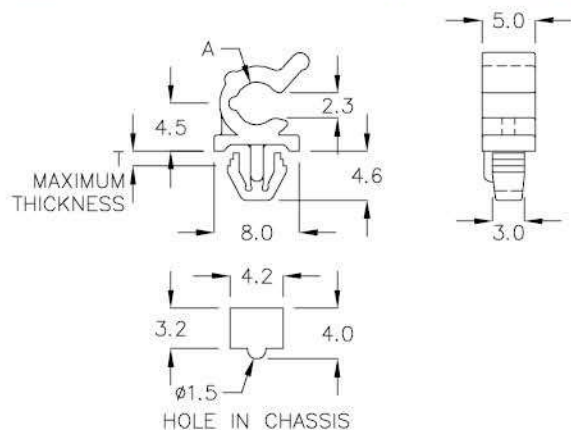


## 隔離束線座 WIRE SADDLE 6-77-2

- MATERIAL: NYLON 66(UL)
- FLAME CLASS: 94V-2
- COLOR: NATURAL

Built-In Anti-Spin Function

| PART NO | A    | T<br>MAXIMUM<br>THICKNESS | PACKAGE |
|---------|------|---------------------------|---------|
| CNA-04F | ø4.0 | 1.0                       | 1000    |

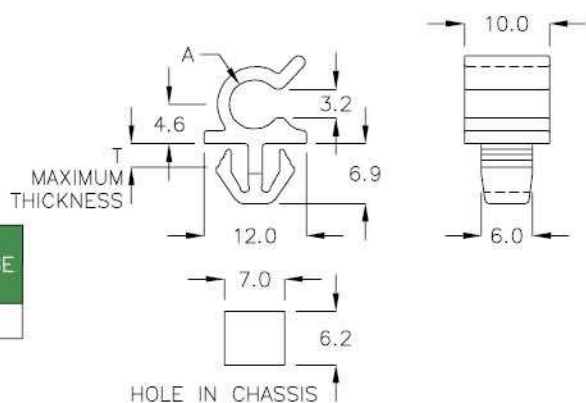


## 隔離束線座 WIRE SADDLE 6-77-3

- MATERIAL: NYLON 66(UL)
- FLAME CLASS: 94V-2
- COLOR: NATURAL

Built-In Anti-Spin Function

| PART NO | A    | T<br>MAXIMUM<br>THICKNESS | PACKAGE |
|---------|------|---------------------------|---------|
| CH-06S  | ø5.5 | 2.0                       | 500     |

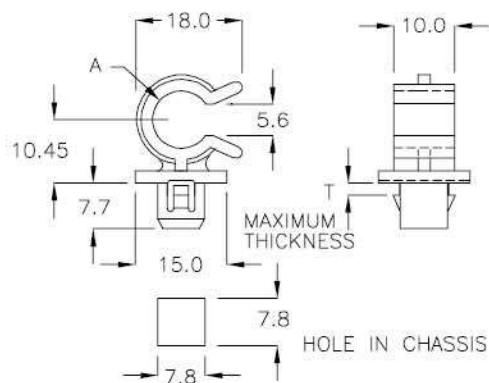


## 隔離束線座 WIRE SADDLE 6-77-4

- MATERIAL: NYLON 66(UL)
- FLAME CLASS: 94V-2
- COLOR: NATURAL

Built-In Anti-Spin Function

| PART NO | A    | T<br>MAXIMUM<br>THICKNESS | PACKAGE |
|---------|------|---------------------------|---------|
| CH-09   | ø9.7 | 1.8                       | 200     |

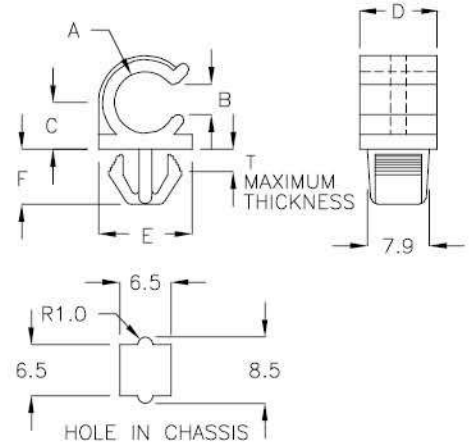




### 隔離束線座 WIRE SADDLE

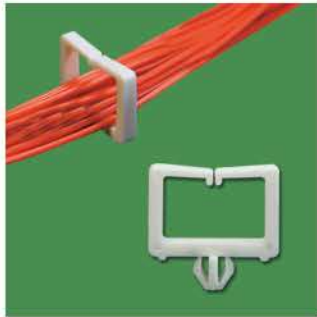
6-78-1

- MATERIAL: NYLON 66(UL)
- FLAME CLASS: 94V-2
- COLOR: NATURAL,BLACK



Build-In Anti-Spin Function

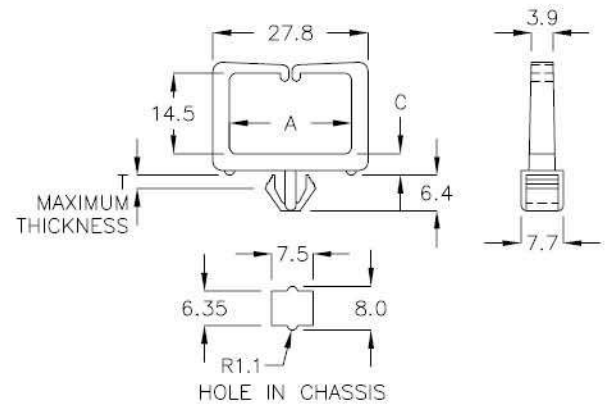
| PART NO | A    | B   | C    | D   | E    | F    | T<br>MAXIMUM<br>THICKNESS | PACKAGE |
|---------|------|-----|------|-----|------|------|---------------------------|---------|
| CH-09S  | ∅7.9 | 3.5 | 6.0  | 9.9 | 12.0 | 7.0  | 2.0                       | 500     |
| CH-09A  | ∅8.0 | 4.9 | 7.1  | 8.0 | 11.6 | 5.55 | 2.0                       |         |
| CH-09C  | ∅9.5 | 3.8 | 6.75 | 9.9 | 13.5 | 7.0  | 2.0                       |         |



### 隔離束線座 WIRE SADDLE

6-78-2

- MATERIAL: NYLON 66(UL)
- FLAME CLASS: 94V-2
- COLOR: NATURAL



Built-In Anti-Spin Function

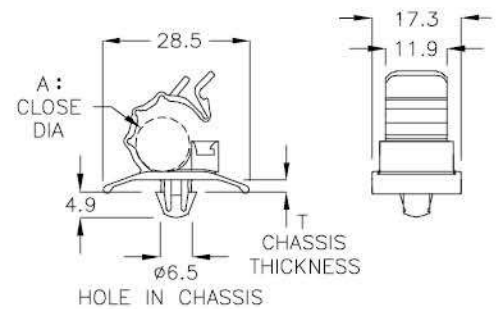
| PART NO | A    | C   | T<br>MAXIMUM<br>THICKNESS | PACKAGE |
|---------|------|-----|---------------------------|---------|
| CHN-01  | 21.6 | 3.9 | 2.2                       | 200     |



### 電線固定座 WIRE MOUNT

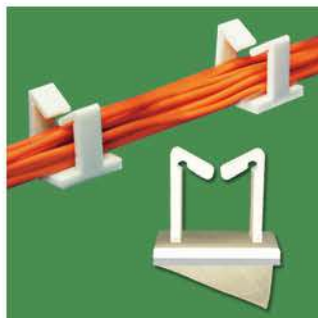
6-78-3

- MATERIAL: NYLON 66(UL)
- FLAME CLASS: 94V-2
- COLOR: NATURAL,BLACK



WITH LOCK FEATURE

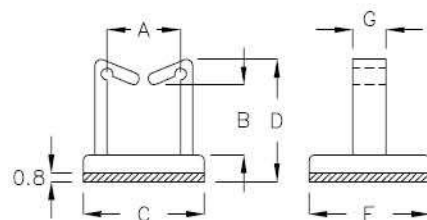
| PART NO | A<br>CLOSE<br>DIA | T<br>CHASSIS<br>THICKNESS | PACKAGE |
|---------|-------------------|---------------------------|---------|
| CCD-01  | ∅10.0             | 0.8~1.2                   | 200     |



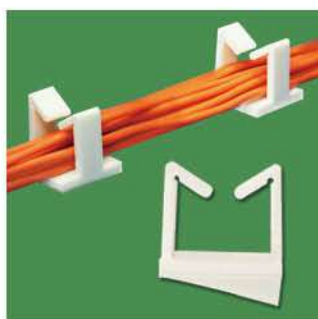
### 隔離束線座 WIRE SADDLE

6-19-1

- MATERIAL: NYLON 66(UL)
- FLAME CLASS: 94V-2
- COLOR: NATURAL
- ADHESIVE TAPE: 3M



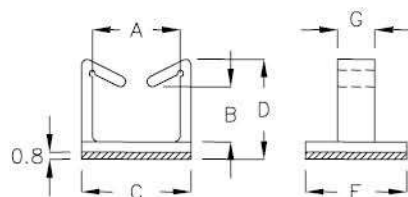
| PART NO  | A    | B    | C    | D    | F    | G    | PACKAGE |
|----------|------|------|------|------|------|------|---------|
| AB-20A   | 11.2 | 8.2  | 21.0 | 16.3 | 19.0 | 5.3  | 500     |
| AB-20F   | 11.5 | 10.0 | 17.0 | 17.9 | 12.5 | 5.3  |         |
| AB-20    | 11.5 | 10.0 | 21.0 | 17.9 | 19.0 | 5.3  |         |
| AB-20K   | 16.6 | 9.8  | 26.4 | 17.9 | 19.0 | 7.0  |         |
| ★ AB-17K | 17.0 | 27.8 | 22.0 | 35.2 | 22.0 | 10.0 | 100     |
| AB-20D   | 20.0 | 10.0 | 25.7 | 17.9 | 19.0 | 5.3  | 500     |



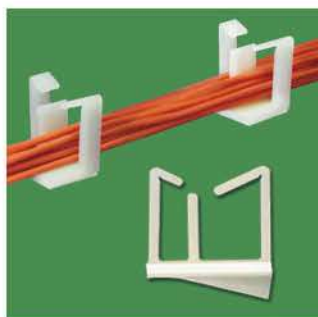
### 隔離束線座 WIRE SADDLE

6-19-2

- MATERIAL: NYLON 66(UL)
- FLAME CLASS: 94V-2
- COLOR: NATURAL
- ADHESIVE TAPE: 3M



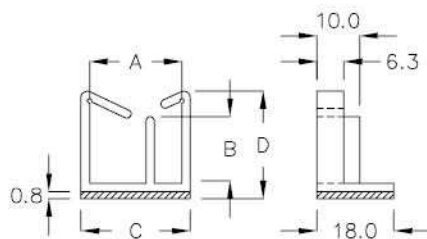
| PART NO   | A    | B    | C    | D    | F    | G    | PACKAGE |
|-----------|------|------|------|------|------|------|---------|
| ★ AB-16LM | 6.8  | 14.0 | 10.0 | 20.0 | 16.0 | 5.0  | 500     |
| AB-20M    | 6.8  | 14.0 | 10.0 | 20.0 | 20.0 | 5.0  |         |
| AB-11SJ   | 11.5 | 19.8 | 15.5 | 26.8 | 19.0 | 5.3  | 200     |
| ★ AB-15RK | 15.1 | 26.2 | 19.5 | 34.0 | 19.5 | 10.0 | 100     |
| AB-20L    | 16.5 | 10.2 | 20.5 | 18.2 | 18.9 | 7.0  | 200     |



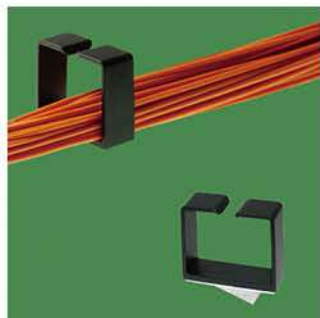
### 隔離束線座 WIRE SADDLE

6-19-3

- MATERIAL: NYLON 66(UL)
- FLAME CLASS: 94V-2
- COLOR: NATURAL
- ADHESIVE TAPE: 3M



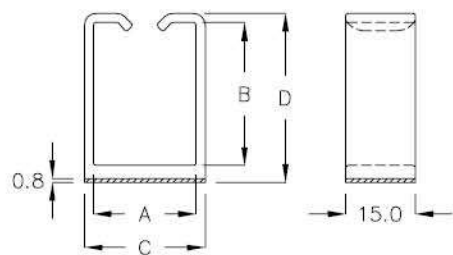
| PART NO | A    | B    | C    | D    | PACKAGE |
|---------|------|------|------|------|---------|
| AB-21A  | 21.7 | 15.5 | 25.7 | 24.3 | 200     |



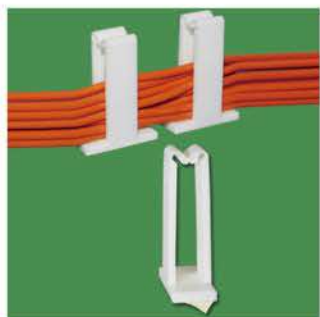
### 隔離束線座 WIRE SADDLE

6-20-1

- MATERIAL: NYLON 66(UL)
- FLAME CLASS: 94V-0
- COLOR: BLACK
- ADHESIVE TAPE: 3M



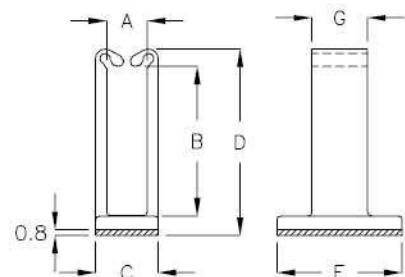
| PART NO    | A    | B    | C    | D    | PACKAGE |
|------------|------|------|------|------|---------|
| ★ ABF-34DM | 36.0 | 29.1 | 40.0 | 34.7 | 100     |
| ★ ABF-36CK | 22.0 | 30.7 | 26.0 | 36.3 |         |



### 隔離束線座 WIRE SADDLE

6-20-2

- MATERIAL: NYLON 66(UL)
- FLAME CLASS: 94V-2
- COLOR: BLACK, NATURAL
- ADHESIVE TAPE: 3M



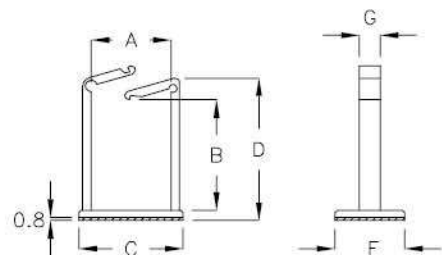
| PART NO | A   | B    | C   | D    | F    | G   | PACKAGE |
|---------|-----|------|-----|------|------|-----|---------|
| ABK-5Q  | 5.8 | 24.0 | 9.0 | 29.3 | 20.0 | 8.0 | 200     |



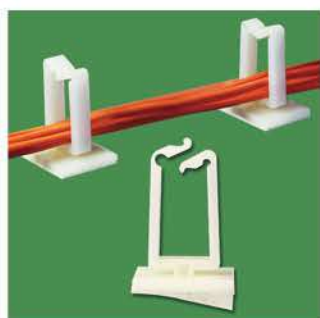
### 隔離束線座 WIRE SADDLE

6-20-3

- MATERIAL: NYLON 66(UL)
- FLAME CLASS: 94V-2
- COLOR: NATURAL
- ADHESIVE TAPE: 3M



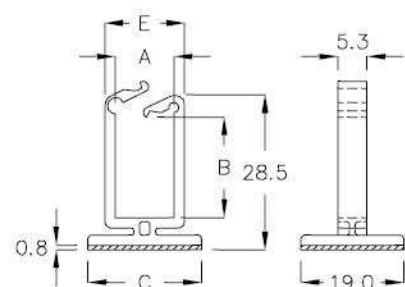
| PART NO  | A    | B    | C    | D    | F    | G    | PACKAGE |
|----------|------|------|------|------|------|------|---------|
| CMF-10CS | 10.4 | 13.6 | 13.0 | 19.8 | 22.0 | 10.0 | 200     |
| CMF-15A  | 15.1 | 27.7 | 19.5 | 34.0 | 19.5 | 10.0 | 100     |
| CMF-17   | 17.0 | 27.8 | 22.0 | 34.0 | 22.0 | 10.0 |         |
| CMF-23   | 23.0 | 31.8 | 30.0 | 40.8 | 20.0 | 6.0  |         |



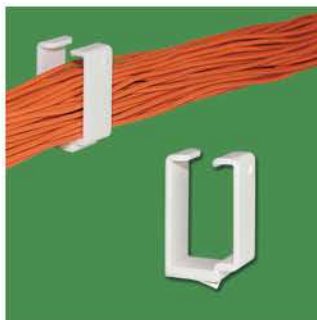
### 隔離束線座 WIRE SADDLE

6-20-4

- MATERIAL: NYLON 66(UL)
- FLAME CLASS: 94V-2
- COLOR: NATURAL
- ADHESIVE TAPE: 3M

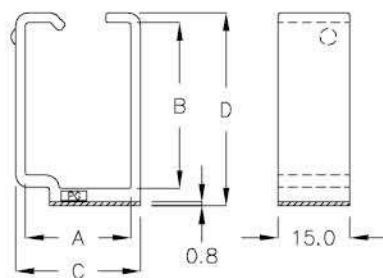


| PART NO | A    | B    | C    | E    | PACKAGE |
|---------|------|------|------|------|---------|
| CHU-06  | 10.8 | 18.5 | 21.0 | 14.8 | 500     |
| CHU-06K | 10.8 | 18.5 | 16.0 | 14.8 |         |

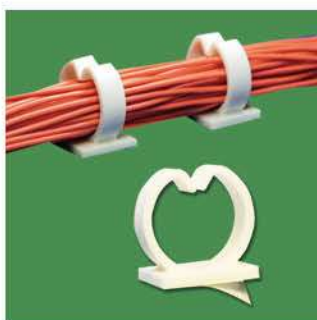


### 隔離束線座 WIRE SADDLE 6-21-1

- MATERIAL: NYLON 66(UL)
- FLAME CLASS: 94V-2
- COLOR: NATURAL
- ADHESIVE TAPE: 3M

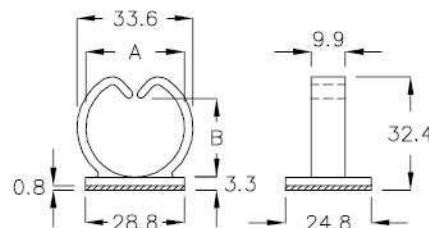


| PART NO  | A    | B    | C    | D    | PACKAGE |
|----------|------|------|------|------|---------|
| PAC-40GS | 22.0 | 34.7 | 26.0 | 40.3 | 100     |
| PAC-50M  | 27.0 | 44.7 | 31.0 | 50.3 |         |



### 隔離束線座 WIRE SADDLE 6-21-2

- MATERIAL: NYLON 66(UL)
- FLAME CLASS: 94V-2
- COLOR: NATURAL
- ADHESIVE TAPE: 3M

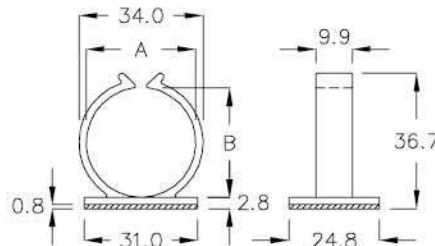


| PART NO | A    | B    | PACKAGE |
|---------|------|------|---------|
| CZK-28F | 28.6 | 22.8 | 200     |



### 隔離束線座 WIRE SADDLE 6-21-3

- MATERIAL: NYLON 66(UL)
- FLAME CLASS: 94V-2
- COLOR: BLACK
- ADHESIVE TAPE: 3M

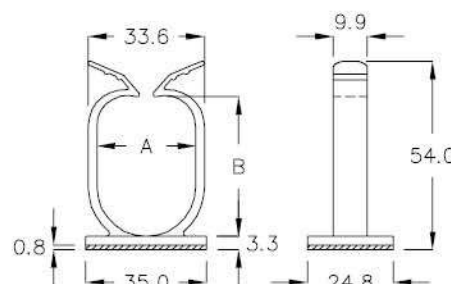


| PART NO  | A    | B    | PACKAGE |
|----------|------|------|---------|
| CZT-30JR | 30.0 | 29.8 | 100     |



### 隔離束線座 WIRE SADDLE 6-21-4

- MATERIAL: NYLON 66(UL)
- FLAME CLASS: 94V-2
- COLOR: NATURAL
- ADHESIVE TAPE: 3M



| PART NO  | A    | B    | PACKAGE |
|----------|------|------|---------|
| CZW-28JK | 28.6 | 40.5 | 100     |



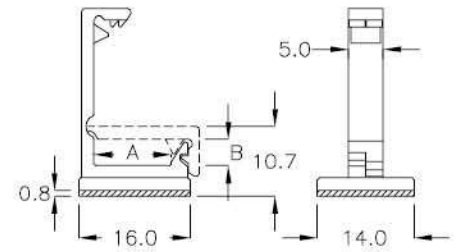
### 隔離束線座 WIRE SADDLE

6-22-1

- MATERIAL: NYLON 66(UL)
- FLAME CLASS: 94V-2
- COLOR: BLACK
- ADHESIVE TAPE: 3M

WITH LOCK FEATURE

| PART NO  | A    | B   | PACKAGE |
|----------|------|-----|---------|
| PAK11-4A | 11.1 | 4.4 | 200     |



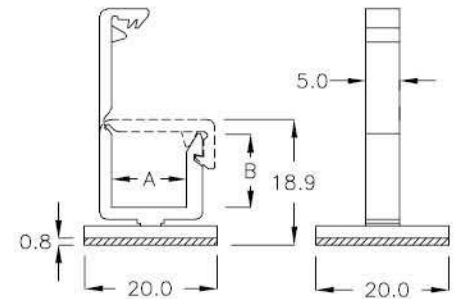
### 隔離束線座 WIRE SADDLE

6-22-2

- MATERIAL: NYLON 66(UL)
- FLAME CLASS: 94V-2
- COLOR: NATURAL
- ADHESIVE TAPE: 3M

WITH LOCK FEATURE

| PART NO  | A    | B    | PACKAGE |
|----------|------|------|---------|
| PAD11-11 | 11.1 | 11.4 | 200     |



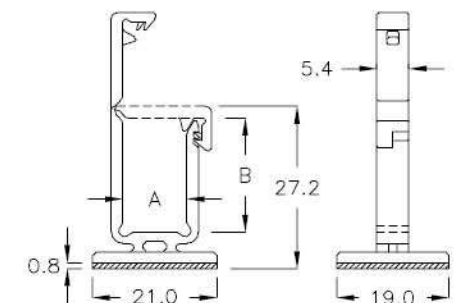
### 隔離束線座 WIRE SADDLE

6-22-3

- MATERIAL: NYLON 66(UL)
- FLAME CLASS: 94V-2
- COLOR: NATURAL
- ADHESIVE TAPE: 3M

WITH LOCK FEATURE

| PART NO  | A    | B    | PACKAGE |
|----------|------|------|---------|
| PAD10-19 | 11.0 | 19.3 | 200     |



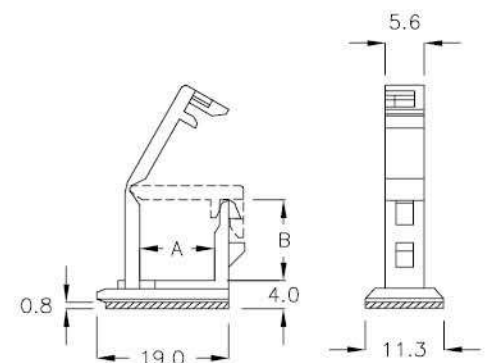
### 隔離束線座 WIRE SADDLE

6-22-4

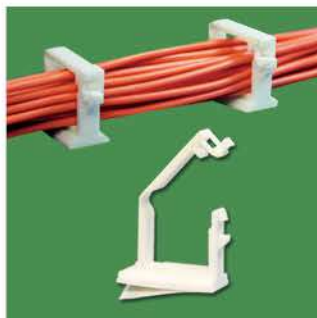
- MATERIAL: NYLON 66(UL)
- FLAME CLASS: 94V-2
- COLOR: NATURAL
- ADHESIVE TAPE: 3M

WITH LOCK FEATURE

| PART NO | A    | B    | PACKAGE |
|---------|------|------|---------|
| CKM-01  | 10.8 | 12.0 | 200     |







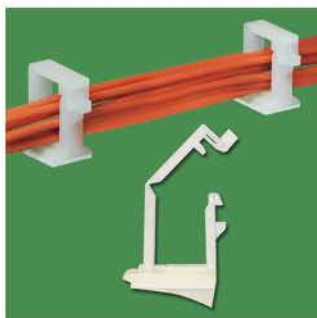
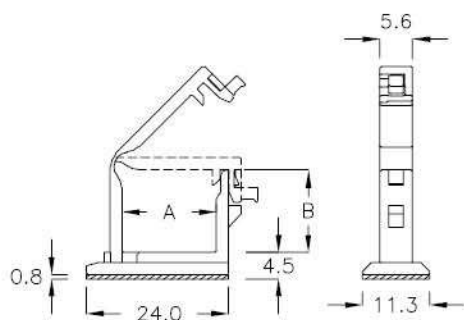
### 隔離束線座 WIRE SADDLE

- MATERIAL: NYLON 66(UL)
- FLAME CLASS: 94V-2
- COLOR: NATURAL
- ADHESIVE TAPE: 3M

WITH LOCK FEATURE

| PART NO | A    | B    | PACKAGE |
|---------|------|------|---------|
| CKZ-16  | 16.0 | 14.0 | 200     |

### 6-23-1



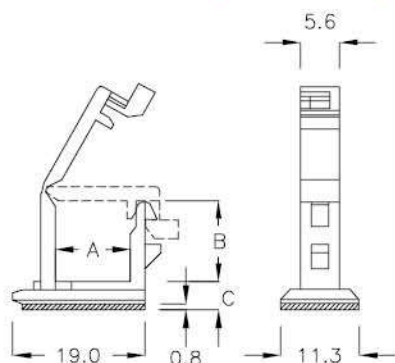
### 隔離束線座 WIRE SADDLE

- MATERIAL: NYLON 66(UL)
- FLAME CLASS: 94V-2
- COLOR: NATURAL
- ADHESIVE TAPE: 3M

WITH LOCK FEATURE

| PART NO | A    | B    | C   | PACKAGE |
|---------|------|------|-----|---------|
| CKM-02  | 10.5 | 11.5 | 4.0 | 200     |
| CKM-03  | 11.1 | 15.0 | 4.0 |         |

### 6-23-2



### 隔離束線座 WIRE SADDLE

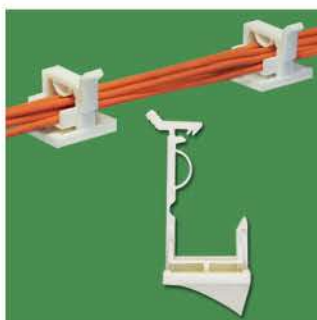
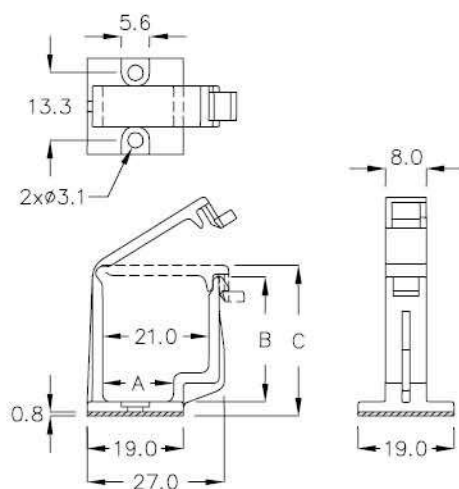
- MATERIAL: NYLON 66(UL)
- FLAME CLASS: 94V-0
- COLOR: BLACK
- ADHESIVE TAPE: 3M
- ALSO CAN BE FASTENED WITH M3 SCREW

**NEW**

WITH LOCK FEATURE

| PART NO   | A    | B    | C    | PACKAGE |
|-----------|------|------|------|---------|
| ★ CKMA-21 | 14.0 | 27.6 | 32.8 | 100     |

### 6-23-3



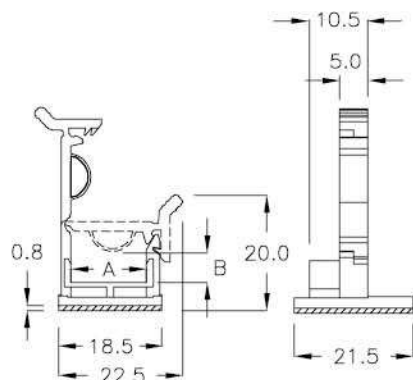
### 隔離束線座 WIRE SADDLE

- MATERIAL: NYLON 66(UL)
- FLAME CLASS: 94V-2
- COLOR: NATURAL
- ADHESIVE TAPE: 3M

WITH LOCK FEATURE

| PART NO | A    | B   | PACKAGE |
|---------|------|-----|---------|
| CKW-01  | 13.6 | 5.3 | 200     |

### 6-23-4

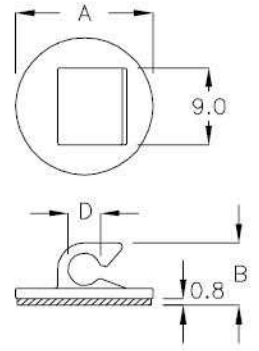




### 電線固定座 WIRE MOUNT

- MATERIAL: NYLON 66(UL)
- FLAME CLASS: 94V-2
- COLOR: NATURAL
- ADHESIVE TAPE: 3M

| PART NO | A     | B   | D    | PACKAGE |
|---------|-------|-----|------|---------|
| FRAC-3K | ∅16.0 | 7.3 | ∅3.8 | 500     |



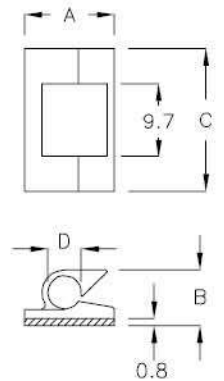
### 6-24-1



### 電線固定座 WIRE MOUNT

- MATERIAL: NYLON 66(UL)
- FLAME CLASS: 94V-2
- CABLE DIAMETER:  $\phi 4 \sim \phi 5$
- COLOR: NATURAL
- ADHESIVE TAPE: 3M

| PART NO | A    | B   | C    | D          | PACKAGE |
|---------|------|-----|------|------------|---------|
| FW-1P   | 12.0 | 7.3 | 19.0 | $\phi 4.5$ | 500     |



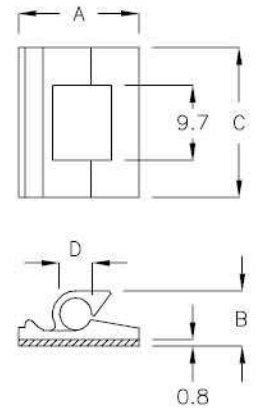
### 6-24-2



### 電線固定座 WIRE MOUNT

- MATERIAL: NYLON 66(UL)
- FLAME CLASS: 94V-2
- CABLE DIAMETER:  $\phi 4 \sim \phi 5$
- COLOR: NATURAL
- ADHESIVE TAPE: 3M

| PART NO | A    | B   | C    | D          | PACKAGE |
|---------|------|-----|------|------------|---------|
| FW-1    | 16.0 | 7.3 | 18.9 | $\phi 4.4$ | 500     |



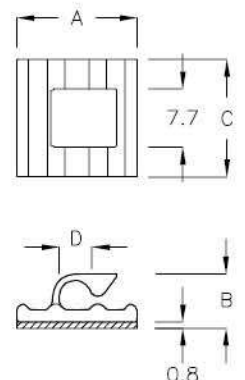
### 6-24-3



### 電線固定座 WIRE MOUNT

- MATERIAL: NYLON 66(UL)
- FLAME CLASS: 94V-2
- CABLE DIAMETER:  $\phi 4 \sim \phi 5$
- COLOR: BLACK
- ADHESIVE TAPE: 3M

| PART NO | A    | B   | C    | D          | PACKAGE |
|---------|------|-----|------|------------|---------|
| FW-1GH  | 16.0 | 7.2 | 15.6 | $\phi 4.4$ | 500     |



### 6-24-4

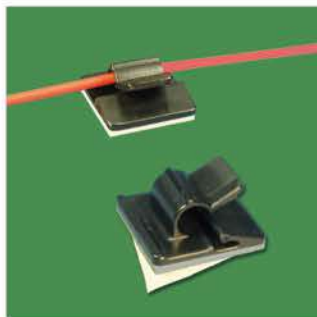
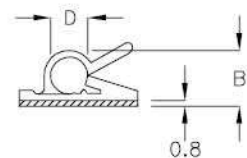
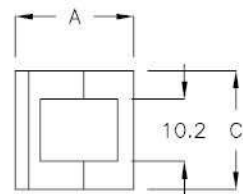


電線固定座 WIRE MOUNT

6-25-1

- MATERIAL: NYLON 66(UL)
- FLAME CLASS: 94V-2
- COLOR: NATURAL
- ADHESIVE TAPE: 3M

| PART NO | A    | B   | C    | D    | CABLE DIM: | PACKAGE |
|---------|------|-----|------|------|------------|---------|
| FW-1A   | 19.0 | 8.8 | 20.2 | ∅6.0 |            | 500     |
| FW-1AM  | 19.0 | 8.8 | 19.0 | ∅5.2 |            |         |

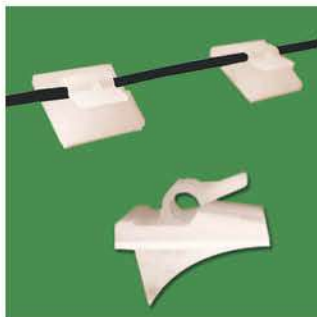
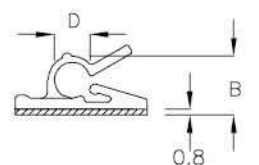
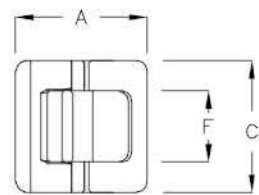


電線固定座 WIRE MOUNT

6-25-2

- MATERIAL: NYLON 66(UL)
- FLAME CLASS: 94V-2
- COLOR: BLACK
- ADHESIVE TAPE: 3M

| PART NO | A    | B   | C    | D    | F    | PACKAGE |
|---------|------|-----|------|------|------|---------|
| FW-1AS  | 19.0 | 8.5 | 19.0 | ∅5.2 | 10.2 | 500     |

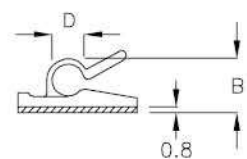
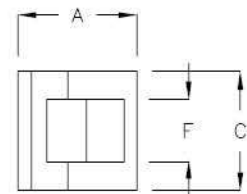


電線固定座 WIRE MOUNT

6-25-3

- MATERIAL: NYLON 66(UL)
- FLAME CLASS: 94V-2
- COLOR: NATURAL
- ADHESIVE TAPE: 3M

| PART NO | A    | B   | C    | D    | F    | PACKAGE |
|---------|------|-----|------|------|------|---------|
| FW-1AK  | 16.0 | 7.3 | 19.0 | ∅4.0 | 10.2 | 500     |
| FW-1AP  | 16.0 | 6.4 | 16.0 | ∅3.0 | 8.5  |         |
| FW-1AQ  | 16.0 | 7.4 | 19.0 | ∅4.0 | 10.2 |         |
| FW-1AR  | 16.0 | 7.4 | 19.0 | ∅3.6 | 10.2 |         |
| FW-1AT  | 16.0 | 7.4 | 19.0 | ∅4.2 | 10.2 |         |

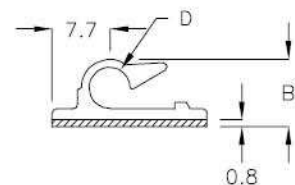
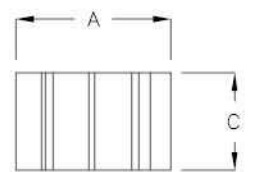


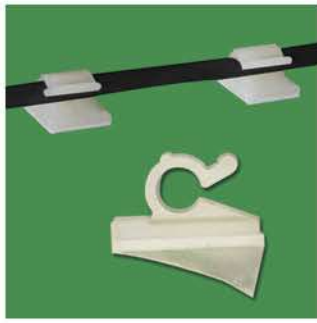
電線固定座 WIRE MOUNT

6-25-4

- MATERIAL: NYLON 66(UL)
- FLAME CLASS: 94V-2
- COLOR: NATURAL
- ADHESIVE TAPE: 3M

| PART NO | A    | B   | C    | D    | PACKAGE |
|---------|------|-----|------|------|---------|
| FW-1B   | 20.7 | 9.0 | 13.0 | ∅5.6 | 500     |
| FW-1C   | 20.7 | 7.5 | 10.0 | ∅3.6 |         |



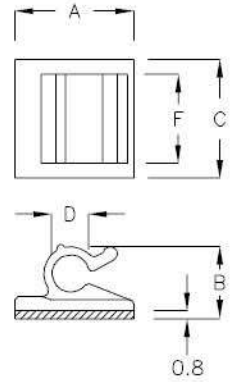


電線固定座 WIRE MOUNT

6-26-1

- MATERIAL: NYLON 66(UL)
- FLAME CLASS: 94V-2
- COLOR: NATURAL
- ADHESIVE TAPE: 3M

| PART NO | A    | B   | C    | D    | F   | PACKAGE |
|---------|------|-----|------|------|-----|---------|
| FW-1AJ  | 12.0 | 7.3 | 12.0 | ∅3.8 | 9.0 | 500     |

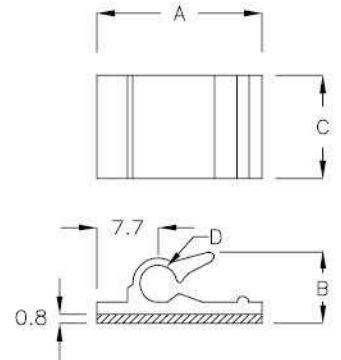


電線固定座 WIRE MOUNT

6-26-2

- MATERIAL: NYLON 66(UL)
- FLAME CLASS: 94V-2
- COLOR: NATURAL
- ADHESIVE TAPE: 3M

| PART NO | A    | B   | C    | D    | PACKAGE |
|---------|------|-----|------|------|---------|
| FW-2F   | 20.8 | 8.6 | 13.0 | ∅4.7 | 500     |

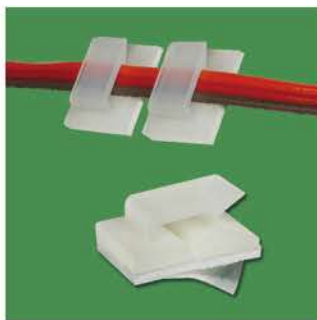
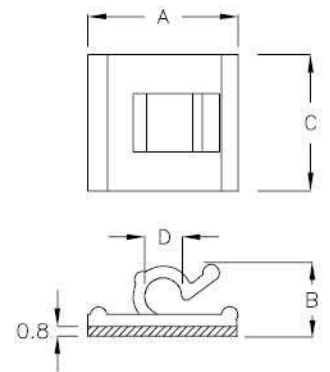


電線固定座 WIRE MOUNT

6-26-3

- MATERIAL: NYLON 66(UL)
- FLAME CLASS: 94V-2
- COLOR: NATURAL
- ADHESIVE TAPE: 3M

| PART NO | A    | B   | C    | D    | PACKAGE |
|---------|------|-----|------|------|---------|
| FW-01H  | 13.0 | 6.0 | 12.0 | ∅3.3 | 1000    |

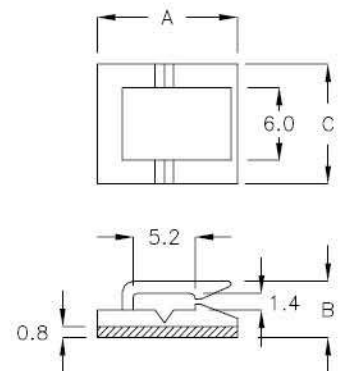


電線固定座 WIRE MOUNT

6-26-4

- MATERIAL: NYLON 66(UL)
- FLAME CLASS: 94V-2
- COLOR: NATURAL
- ADHESIVE TAPE: 3M
- SUIT FOR ARCUATE SURFACE

| PART NO | A    | B   | C    | PACKAGE |
|---------|------|-----|------|---------|
| FW-01F  | 12.0 | 4.6 | 10.0 | 1000    |

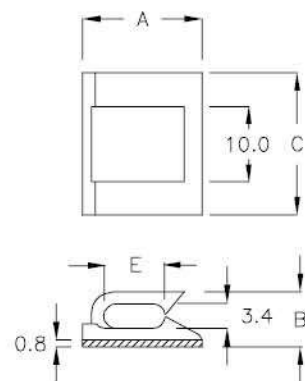




電線固定座 WIRE MOUNT ————— | 6-27-1 |

- MATERIAL: NYLON 66(UL)
- FLAME CLASS: 94V-2
- COLOR: NATURAL
- ADHESIVE TAPE: 3M

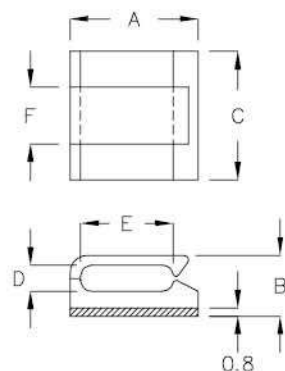
| PART NO | A    | B   | C    | E    | PACKAGE |
|---------|------|-----|------|------|---------|
| FW-2    | 16.0 | 7.2 | 19.0 | 8.3  | 500     |
| FW-02P  | 14.0 | 7.2 | 16.0 | 6.3  |         |
| FW-02Q  | 18.0 | 7.2 | 19.0 | 10.2 |         |



電線固定座 WIRE MOUNT ————— | 6-27-2 |

- MATERIAL: NYLON 66(UL)
- FLAME CLASS: 94V-2
- COLOR: NATURAL
- ADHESIVE TAPE: 3M

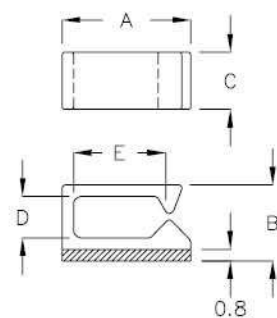
| PART NO | A    | B   | C    | D   | E    | F   | PACKAGE |
|---------|------|-----|------|-----|------|-----|---------|
| FW-6NJ  | 6.5  | 4.5 | 12.0 | 1.4 | 4.0  | 6.0 | 1000    |
| FW-02N  | 9.8  | 4.5 | 9.5  | 1.4 | 6.5  | 6.4 |         |
| FW-2JG  | 8.0  | 7.6 | 12.0 | 4.4 | 5.1  | 4.0 | 500     |
| FW-2MQ  | 10.0 | 5.9 | 9.4  | 2.5 | 4.25 | 6.4 |         |
| FW-2MP  | 12.0 | 6.3 | 9.4  | 2.5 | 6.25 | 6.4 |         |
| FW-2S   | 12.5 | 6.0 | 9.5  | 2.5 | 8.4  | 6.7 |         |
| FW-2SP  | 12.7 | 6.3 | 12.5 | 2.5 | 8.2  | 6.3 |         |
| FW-2AG  | 12.7 | 6.4 | 12.7 | 2.8 | 8.4  | 6.4 |         |
| FW-2M   | 14.5 | 6.4 | 9.5  | 2.5 | 10.2 | 6.4 |         |
| FW-2MA  | 16.7 | 6.6 | 13.0 | 3.1 | 11.6 | 9.0 |         |



電線固定座 WIRE MOUNT ————— | 6-27-3 |

- MATERIAL: NYLON 66(UL)
- FLAME CLASS: 94V-2
- COLOR: NATURAL
- ADHESIVE TAPE: 3M

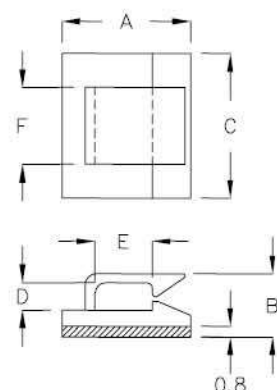
| PART NO | A   | B   | C   | D   | E   | PACKAGE |
|---------|-----|-----|-----|-----|-----|---------|
| FW-2SC  | 9.0 | 5.3 | 4.0 | 2.9 | 6.4 | 1000    |
| FW-9NT  | 9.0 | 5.3 | 8.0 | 2.9 | 6.5 |         |



電線固定座 WIRE MOUNT ————— | 6-27-4 |

- MATERIAL: NYLON 66(UL)
- FLAME CLASS: 94V-2
- COLOR: NATURAL
- ADHESIVE TAPE: 3M

| PART NO | A    | B   | C    | D   | E    | F    | PACKAGE |
|---------|------|-----|------|-----|------|------|---------|
| FW-1Q   | 11.7 | 5.2 | 10.0 | 2.0 | 5.2  | 6.0  | 1000    |
| FW-1S   | 11.7 | 5.6 | 16.0 | 2.5 | 5.2  | 7.1  |         |
| FW-1M   | 12.3 | 6.4 | 15.9 | 3.2 | 6.0  | 7.0  |         |
| FW-19A  | 19.9 | 6.1 | 11.9 | 2.6 | 13.2 | 10.0 | 500     |
| FW-019  | 19.9 | 6.7 | 14.0 | 3.2 | 13.2 | 10.0 |         |



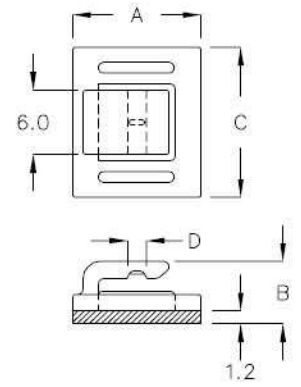


### 電線固定座 WIRE MOUNT

6-28-1

- MATERIAL: ABS(UL)
- FLAME CLASS: 94HB
- COLOR: BLACK
- ADHESIVE TAPE: 3M

| PART NO | A    | B   | C    | D<br>SUITABLE<br>CABLE | PACKAGE |
|---------|------|-----|------|------------------------|---------|
| FYS-4HJ | 12.0 | 5.8 | 14.0 | ∅2.1                   | 500     |

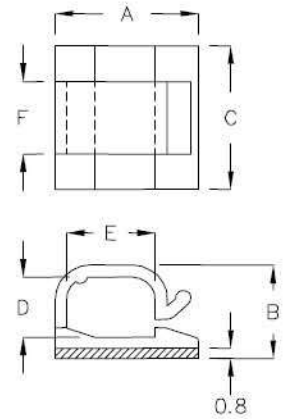


### 電線固定座 WIRE MOUNT

6-28-2

- MATERIAL: NYLON 66(UL)
- FLAME CLASS: 94V-2
- COLOR: NATURAL
- ADHESIVE TAPE: 3M

| PART NO  | A     | B     | C     | D    | E    | F    | PACKAGE |
|----------|-------|-------|-------|------|------|------|---------|
| FW-2D    | 19.0  | 11.8  | 19.0  | 7.8  | 12.5 | 9.7  | 500     |
| FW-2DP   | 19.05 | 12.25 | 19.05 | 7.85 | 11.7 | 9.5  |         |
| FW-2RN   | 19.25 | 12.15 | 15.5  | 7.9  | 11.7 | 14.0 |         |
| ★ FW-2DG | 26.0  | 19.4  | 19.0  | 15.0 | 18.6 | 9.5  |         |
| FW-2DT   | 29.4  | 12.2  | 19.0  | 7.8  | 22.0 | 9.5  | 200     |

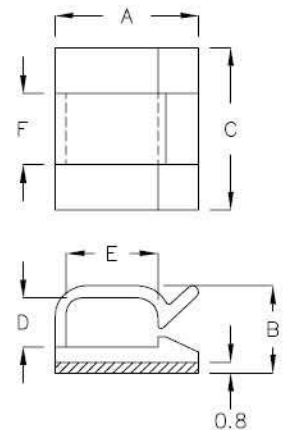


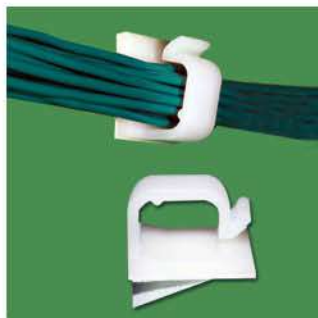
### 電線固定座 WIRE MOUNT

6-28-3

- MATERIAL: NYLON 66(UL)
- FLAME CLASS: 94V-2
- COLOR: NATURAL
- ADHESIVE TAPE: 3M

| PART NO | A    | B    | C    | D   | E    | F    | PACKAGE |
|---------|------|------|------|-----|------|------|---------|
| FW-1DS  | 11.4 | 8.1  | 16.0 | 4.7 | 6.0  | 7.0  | 500     |
| FW-3DK  | 13.0 | 8.7  | 14.0 | 5.2 | 9.0  | 7.1  |         |
| FW-1D   | 13.4 | 8.1  | 15.9 | 4.7 | 8.0  | 7.0  |         |
| FW-3D   | 14.4 | 8.3  | 16.0 | 4.8 | 9.0  | 7.0  |         |
| FW-4D   | 14.4 | 8.7  | 15.9 | 5.2 | 8.2  | 7.1  |         |
| FW-1DL  | 15.4 | 8.1  | 16.0 | 4.7 | 9.9  | 7.0  |         |
| FW-5D   | 16.8 | 10.2 | 16.0 | 6.5 | 10.1 | 7.0  |         |
| FW-20HQ | 20.0 | 10.1 | 16.0 | 6.6 | 15.8 | 9.0  |         |
| FW-22AD | 22.7 | 9.5  | 20.0 | 6.0 | 18.0 | 10.0 | 200     |
| FW-33H  | 33.0 | 10.4 | 20.0 | 6.0 | 26.8 | 10.0 |         |

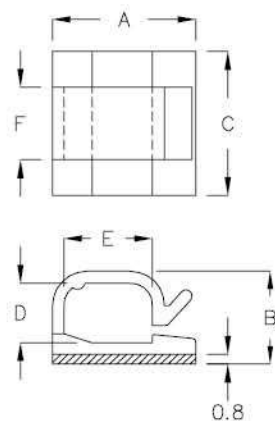




電線固定座 WIRE MOUNT 6-29-1

- MATERIAL: NYLON 66(UL)
- FLAME CLASS: 94V-2
- COLOR: NATURAL
- ADHESIVE TAPE: 3M

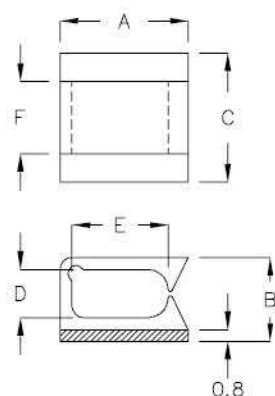
| PART NO | A    | B    | C    | D   | E    | F   | PACKAGE |
|---------|------|------|------|-----|------|-----|---------|
| FW-2DS  | 14.9 | 9.5  | 19.0 | 6.0 | 7.9  | 9.6 | 500     |
| FW-2DM  | 16.0 | 9.5  | 19.0 | 6.0 | 9.0  | 9.6 |         |
| FW-6D   | 20.8 | 12.1 | 19.0 | 8.2 | 13.6 | 9.0 |         |



電線固定座 WIRE MOUNT 6-29-2

- MATERIAL: NYLON 66(UL)
- FLAME CLASS: 94V-2
- COLOR: NATURAL
- ADHESIVE TAPE: 3M

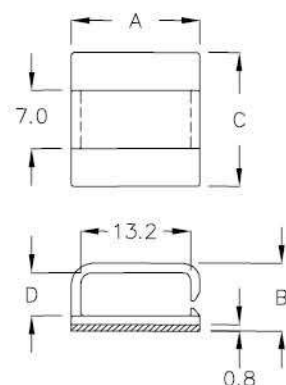
| PART NO | A    | B    | C    | D   | E    | F    | PACKAGE |
|---------|------|------|------|-----|------|------|---------|
| FW-2KP  | 12.0 | 7.0  | 12.1 | 3.5 | 6.2  | 9.0  | 500     |
| FW-2KQ  | 13.0 | 7.05 | 12.0 | 3.5 | 8.2  | 9.0  |         |
| FW-2K   | 14.0 | 7.24 | 12.1 | 3.5 | 10.5 | 10.0 |         |
| FW-2LP  | 14.0 | 9.8  | 16.0 | 6.0 | 7.5  | 9.0  |         |
| FW-2LQ  | 16.0 | 9.8  | 16.0 | 6.0 | 9.6  | 9.0  |         |
| FW-2L   | 16.0 | 9.9  | 16.0 | 6.0 | 12.0 | 9.0  |         |



電線固定座 WIRE MOUNT 6-29-3

- MATERIAL: NYLON 66(UL)
- FLAME CLASS: 94V-2
- COLOR: BLACK
- ADHESIVE TAPE: 3M

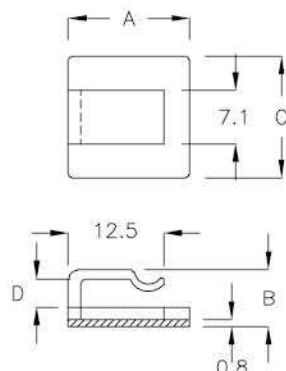
| PART NO | A    | B   | C    | D   | PACKAGE |
|---------|------|-----|------|-----|---------|
| FW-15ZK | 15.4 | 8.1 | 16.0 | 5.2 | 1000    |



電線固定座 WIRE MOUNT 6-29-4

- MATERIAL: NYLON 66(UL)
- FLAME CLASS: 94V-2
- COLOR: NATURAL
- ADHESIVE TAPE: 3M

| PART NO | A    | B   | C    | D   | PACKAGE |
|---------|------|-----|------|-----|---------|
| FDW-1   | 16.0 | 7.3 | 16.0 | 3.7 | 500     |

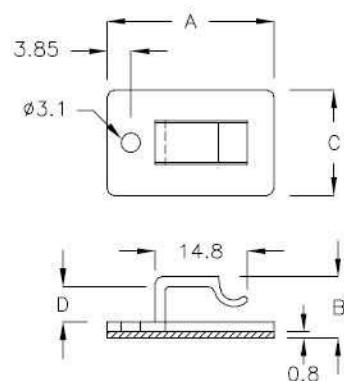




電線固定座 WIRE MOUNT 6-30-1

- MATERIAL: NYLON 66(UL)
- FLAME CLASS: 94V-2
- COLOR: NATURAL
- ADHESIVE TAPE: 3M
- ALSO CAN BE FASTENED WITH M3 SCREW

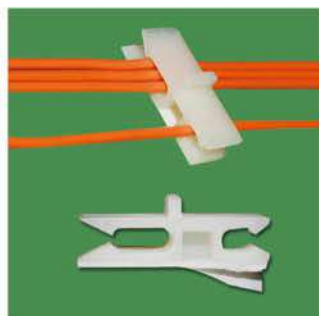
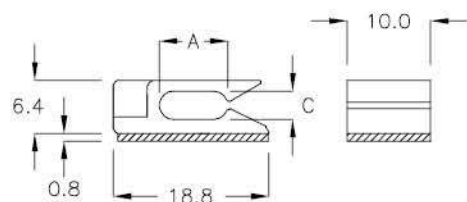
| PART NO | A    | B   | C    | D   | PACKAGE |
|---------|------|-----|------|-----|---------|
| FDW-3   | 27.0 | 9.3 | 17.0 | 5.7 | 500     |



電線固定座 WIRE MOUNT 6-30-2

- MATERIAL: NYLON 66(UL)
- FLAME CLASS: 94V-2
- COLOR: NATURAL
- ADHESIVE TAPE: 3M

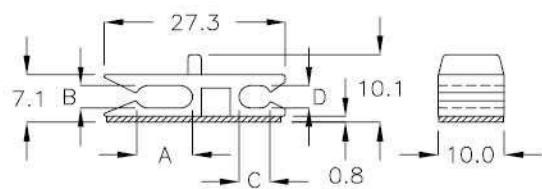
| PART NO | A   | C   | PACKAGE |
|---------|-----|-----|---------|
| CU-01A  | 8.2 | 3.3 | 1000    |



電線固定座 WIRE MOUNT 6-30-3

- MATERIAL: NYLON 66(UL)
- FLAME CLASS: 94V-2
- COLOR: NATURAL
- ADHESIVE TAPE: 3M

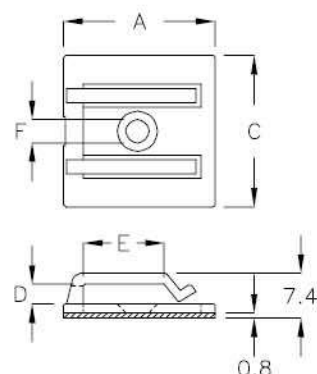
| PART NO | A   | B   | C   | D   | PACKAGE |
|---------|-----|-----|-----|-----|---------|
| CU-01D  | 8.6 | 3.3 | 4.9 | 3.3 | 1000    |



電線固定座 WIRE MOUNT 6-30-4

- MATERIAL: NYLON 66(UL)
- FLAME CLASS: 94V-2
- COLOR: NATURAL
- ADHESIVE TAPE: 3M
- ALSO CAN BE FASTENED WITH M4 COUNTERSUNK SCREW

| PART NO | A    | C    | D    | E    | F    | PACKAGE |
|---------|------|------|------|------|------|---------|
| FSC-01  | 25.7 | 25.4 | 3.3  | 13.6 | ø4.7 | 500     |
| FSC-02  | 25.4 | 25.4 | 3.05 | 12.5 | ø5.0 | 500     |



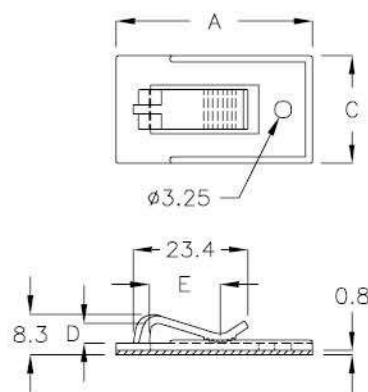




### 排線固定座 FLAT CABLE CLAMP 6-31-1

- MATERIAL: NYLON 66(UL)
- FLAME CLASS: 94V-2
- COLOR: BLACK
- ADHESIVE TAPE: 3M
- ALSO CAN BE FASTENED WITH M3 SCREW

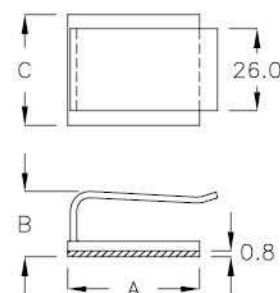
| PART NO | A    | C    | D   | E    | PACKAGE |
|---------|------|------|-----|------|---------|
| FDX-40  | 40.0 | 22.0 | 4.0 | 14.5 | 500     |



### 電線固定座 WIRE MOUNT 6-31-2

- MATERIAL: NYLON 66(UL)
- FLAME CLASS: 94V-2
- COLOR: NATURAL
- ADHESIVE TAPE: 3M

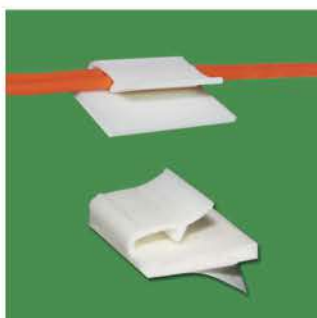
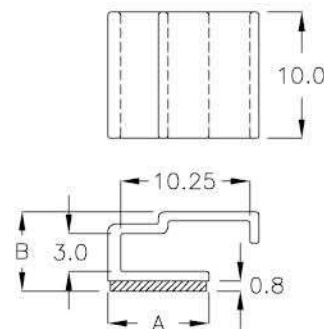
| PART NO | A    | B    | C    | PACKAGE |
|---------|------|------|------|---------|
| FDM-42  | 42.0 | 19.1 | 35.0 | 100     |



### 固定座 MOUNT 6-31-3

- MATERIAL: NYLON 66(UL)
- FLAME CLASS: 94V-2
- COLOR: NATURAL
- ADHESIVE TAPE: 3M

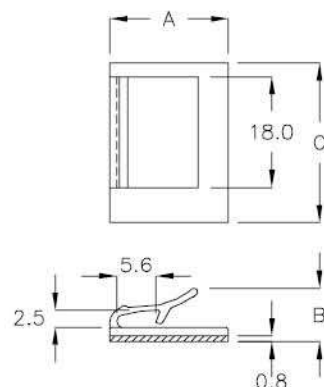
| PART NO  | A   | B   | PACKAGE |
|----------|-----|-----|---------|
| FSL-12GK | 8.0 | 6.3 | 1000    |

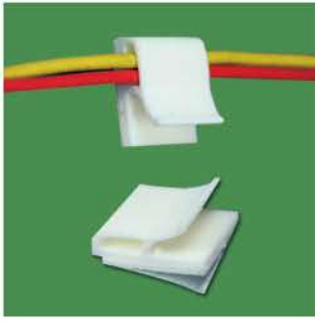


### 電線固定座 WIRE MOUNT 6-31-4

- MATERIAL: NYLON 66(UL)
- FLAME CLASS: 94V-2
- COLOR: NATURAL
- ADHESIVE TAPE: 3M

| PART NO | A    | B    | C    | PACKAGE |
|---------|------|------|------|---------|
| FDK-25  | 17.0 | 7.65 | 25.0 | 500     |



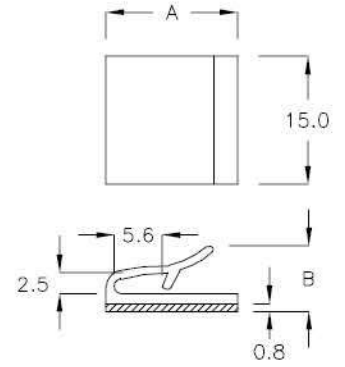


### 電線固定座 WIRE MOUNT

6-32-1

- MATERIAL: NYLON 66(UL)
- FLAME CLASS: 94V-2
- COLOR: NATURAL
- ADHESIVE TAPE: 3M

| PART NO | A    | B   | PACKAGE |
|---------|------|-----|---------|
| FW-11   | 15.5 | 7.6 | 500     |

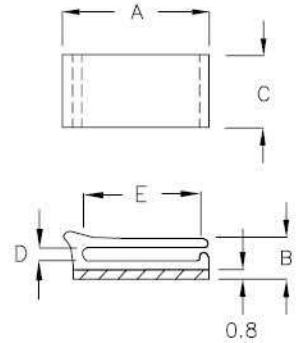


### 電線固定座 WIRE MOUNT

6-32-2

- MATERIAL: NYLON 66(UL)
- FLAME CLASS: 94V-2
- COLOR: NATURAL
- ADHESIVE TAPE: 3M

| PART NO | A     | B   | C   | D   | E    | PACKAGE |
|---------|-------|-----|-----|-----|------|---------|
| FYK-16A | 16.15 | 4.3 | 8.0 | 1.5 | 13.0 | 500     |

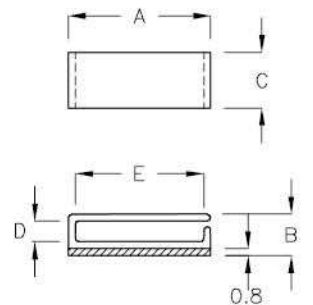


### 電線固定座 WIRE MOUNT

6-32-3

- MATERIAL: NYLON 66(UL)
- FLAME CLASS: 94V-2
- COLOR: NATURAL
- ADHESIVE TAPE: 3M

| PART NO | A    | B   | C   | D   | E    | PACKAGE |
|---------|------|-----|-----|-----|------|---------|
| FYM-20M | 20.5 | 5.8 | 8.0 | 3.0 | 18.5 | 500     |
| FYM-21  | 21.0 | 4.3 | 8.0 | 1.5 | 19.0 |         |

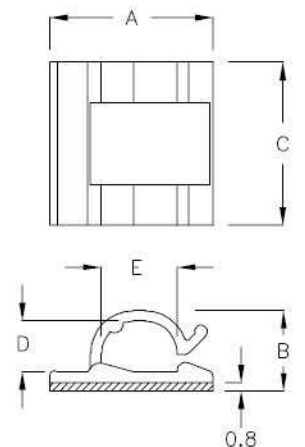


### 電線固定座 WIRE MOUNT

6-32-4

- MATERIAL: NYLON 66(UL)
- FLAME CLASS: 94V-2
- COLOR: NATURAL
- ADHESIVE TAPE: 3M

| PART NO | A    | B    | C    | D    | E    | PACKAGE |
|---------|------|------|------|------|------|---------|
| FW-2DN  | 25.4 | 12.2 | 15.6 | 7.9  | 8.0  | 500     |
| FW-2DA  | 25.4 | 12.2 | 15.6 | 7.9  | 11.7 |         |
| FW-2DC  | 25.4 | 15.5 | 15.9 | 11.1 | 11.7 |         |
| FW-2DL  | 25.4 | 12.1 | 25.4 | 7.9  | 11.8 |         |
| FW-2DW  | 25.4 | 12.1 | 25.4 | 7.9  | 15.0 |         |

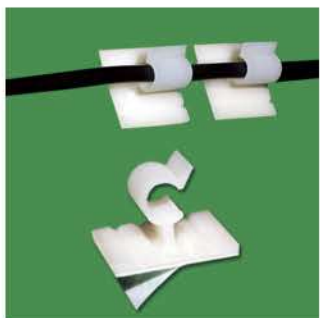
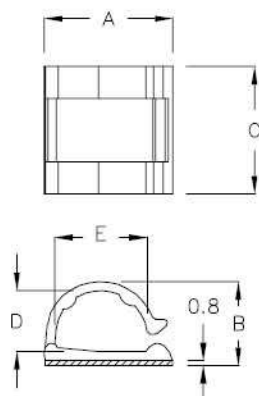




電線固定座 WIRE MOUNT ————— | 6-33-1 |

- MATERIAL: NYLON 66(UL)
- FLAME CLASS: 94V-2
- COLOR: NATURAL
- ADHESIVE TAPE: 3M

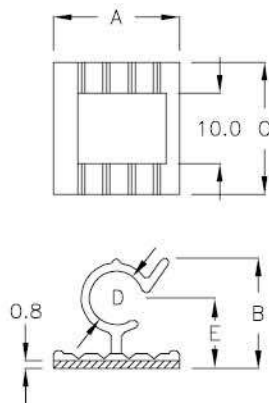
| PART NO | A    | B    | C    | D    | E    | PACKAGE |
|---------|------|------|------|------|------|---------|
| FW-2DR  | 25.4 | 16.3 | 25.4 | 11.8 | 15.0 | 200     |
| FW-2DK  | 25.4 | 16.3 | 25.4 | 11.8 | 18.4 |         |
| FW-2DY  | 40.0 | 26.2 | 40.0 | 20.2 | 20.0 | 50      |
| FW-2DJ  | 40.0 | 26.2 | 40.0 | 20.2 | 28.8 |         |



電線固定座 WIRE MOUNT ————— | 6-33-2 |

- MATERIAL: NYLON 66(UL)
- FLAME CLASS: 94V-2
- COLOR: NATURAL
- ADHESIVE TAPE: 3M
- SUIT FOR ARCUATE SURFACE

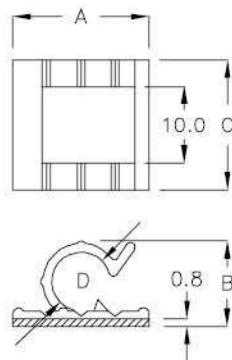
| PART NO | A    | B    | C    | D    | E   | PACKAGE |
|---------|------|------|------|------|-----|---------|
| FW-1CH  | 18.2 | 13.2 | 19.0 | ∅5.0 | 8.4 | 500     |
| FW-2CH  | 18.2 | 15.2 | 19.0 | ∅7.8 | 9.9 |         |
| FW-3CH  | 18.2 | 13.2 | 19.0 | ∅6.7 | 8.4 |         |
| FW-4CH  | 23.0 | 15.3 | 15.0 | ∅7.8 | 9.9 |         |



電線固定座 WIRE MOUNT ————— | 6-33-3 |

- MATERIAL: NYLON 66(UL)
- FLAME CLASS: 94V-2
- CABLE DIAMETER: ∅7.8
- COLOR: NATURAL
- ADHESIVE TAPE: 3M
- SUIT FOR ARCUATE SURFACE

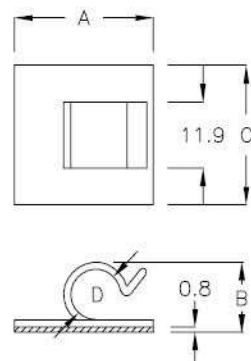
| PART NO | A    | B    | C    | D    | PACKAGE |
|---------|------|------|------|------|---------|
| FW-2C   | 18.2 | 11.0 | 19.0 | ∅7.8 | 500     |



電線固定座 WIRE MOUNT ————— | 6-33-4 |

- MATERIAL: NYLON 66(UL)
- FLAME CLASS: 94V-2
- CABLE DIAMETER: ∅9.1
- COLOR: NATURAL
- ADHESIVE TAPE: 3M

| PART NO | A    | B    | C    | D    | PACKAGE |
|---------|------|------|------|------|---------|
| FW-2DQ  | 25.1 | 12.6 | 25.1 | ∅9.1 | 500     |



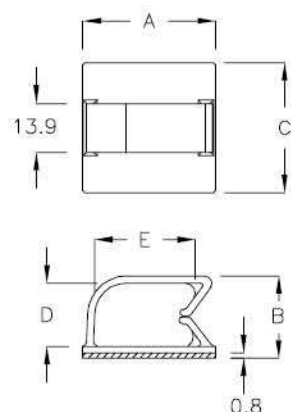


### 電線固定座 WIRE MOUNT

6-34-1

- MATERIAL: NYLON 66(UL)
- FLAME CLASS: 94V-2
- COLOR: NATURAL
- ADHESIVE TAPE: 3M

| PART NO | A    | B    | C    | D    | E    | PACKAGE |
|---------|------|------|------|------|------|---------|
| FW-6F   | 38.0 | 22.8 | 37.2 | 18.0 | 28.6 | 100     |

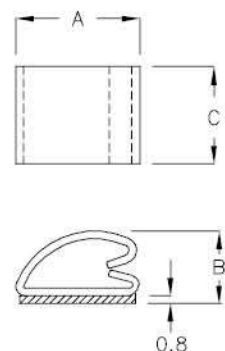


### 電線固定座 WIRE MOUNT

6-34-2

- MATERIAL: NYLON 66(UL)
- FLAME CLASS: 94V-2
- COLOR: NATURAL
- ADHESIVE TAPE: 3M

| PART NO | A    | B    | C    | PACKAGE |
|---------|------|------|------|---------|
| FW-7    | 19.2 | 11.4 | 20.0 | 500     |
| FW-7S   | 19.2 | 11.4 | 15.0 |         |

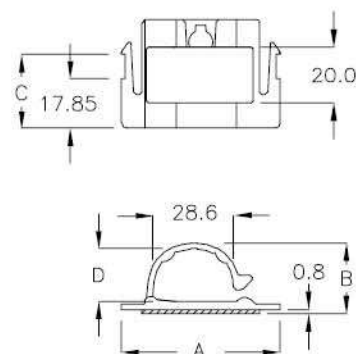


### 電線固定座 WIRE MOUNT

6-34-3

- MATERIAL: NYLON 66(UL)
- FLAME CLASS: 94V-2
- COLOR: BLACK
- ADHESIVE TAPE: 3M

| PART NO | A    | B    | C    | D    | PACKAGE |
|---------|------|------|------|------|---------|
| FWB-12  | 57.3 | 24.8 | 26.5 | 19.1 | 100     |

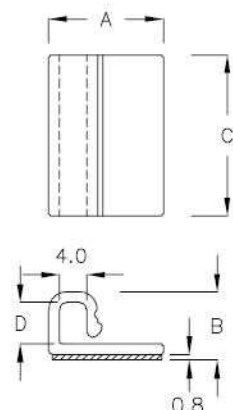


### 電線固定座 WIRE MOUNT

6-34-4

- MATERIAL: NYLON 66(UL)
- FLAME CLASS: 94V-2
- COLOR: NATURAL
- ADHESIVE TAPE: 3M

| PART NO | A    | B   | C    | D   | PACKAGE |
|---------|------|-----|------|-----|---------|
| FSD-6A  | 16.5 | 9.8 | 32.0 | 6.0 | 500     |



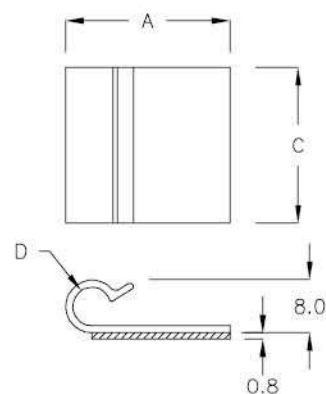


### 電線固定座 WIRE MOUNT

6-35-1

- MATERIAL: NYLON 66(UL)
- FLAME CLASS: 94V-2
- COLOR: NATURAL
- ADHESIVE TAPE: 3M

| PART NO | A    | C    | D    | PACKAGE |
|---------|------|------|------|---------|
| FWG-38  | 24.7 | 37.5 | ø5.8 | 100     |

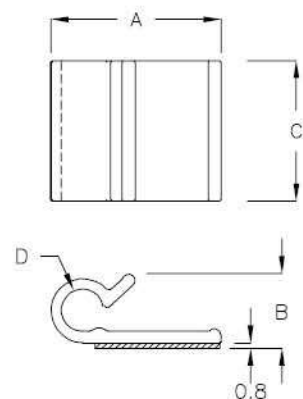


### 電線固定座 WIRE MOUNT

6-35-2

- MATERIAL: NYLON 66(UL)
- FLAME CLASS: 94V-2
- COLOR: NATURAL
- ADHESIVE TAPE: 3M

| PART NO | A    | B    | C    | D    | PACKAGE |
|---------|------|------|------|------|---------|
| FWG-10  | 13.4 | 5.95 | 10.0 | ø2.7 | 1000    |
| FWG-12  | 14.5 | 6.75 | 12.0 | ø3.7 | 200     |

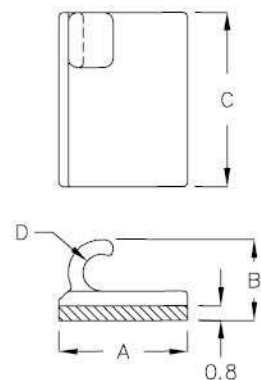


### 電線固定座 WIRE MOUNT

6-35-3

- MATERIAL: NYLON 66(UL)
- FLAME CLASS: 94V-0
- COLOR: NATURAL
- ADHESIVE TAPE: 3M

| PART NO  | A   | B   | C    | D    | PACKAGE |
|----------|-----|-----|------|------|---------|
| FWGA-10C | 7.0 | 4.4 | 10.3 | ø2.0 | 500     |



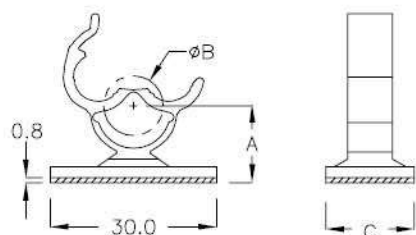
### 電線固定座 WIRE MOUNT

6-35-4

- MATERIAL: NYLON 66(UL)
- FLAME CLASS: 94V-2
- COLOR: NATURAL
- ADHESIVE TAPE: 3M

WITH LOCK FEATURE

| PART NO | A    | B<br>CLOSE<br>DIA | C    | PACKAGE |
|---------|------|-------------------|------|---------|
| FW-CD30 | 13.8 | ø8.6              | 16.0 | 200     |

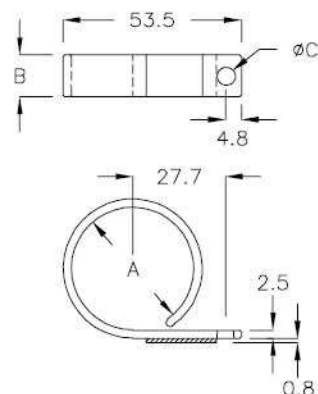




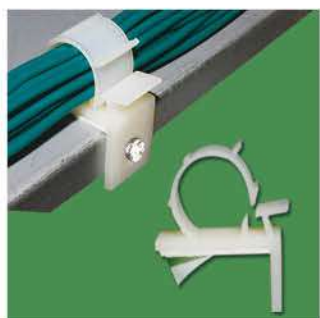
### 電線固定扣 CABLE CLAMP

- MATERIAL: NYLON 66(UL)
- FLAME CLASS: 94V-2
- COLOR: NATURAL
- ADHESIVE TAPE: 3M
- ALSO CAN BE FASTENED WITH M4 SCREW

| PART NO | A     | B    | C    | PACKAGE |
|---------|-------|------|------|---------|
| PCX-39M | ø36.9 | 12.6 | ø4.9 | 100     |



6-36-1

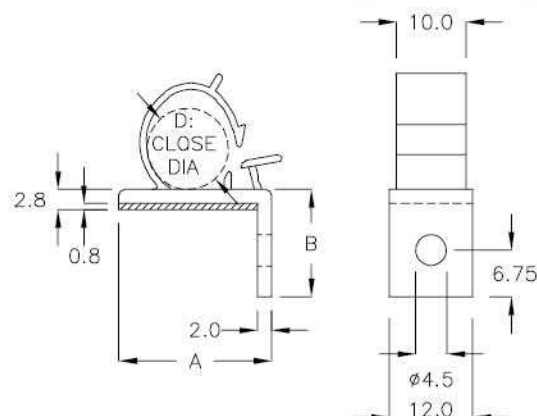


### 電線固定座 TIE MOUNT

- MATERIAL: NYLON 66(UL)
- FLAME CLASS: 94V-2
- COLOR: NATURAL
- ADHESIVE TAPE: 3M
- ALSO CAN BE FASTENED WITH M4 SCREW

WITH LOCK FEATURE

| PART NO | A    | B    | D     | PACKAGE |
|---------|------|------|-------|---------|
| LFW-3   | 22.0 | 15.5 | ø11.7 | 200     |



6-36-2

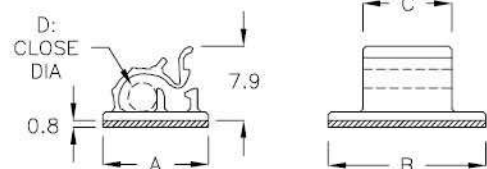


### 電線固定座 TIE MOUNT

- MATERIAL: NYLON 66(UL)
- FLAME CLASS: 94V-2
- COLOR: NATURAL
- ADHESIVE TAPE: 3M

WITH LOCK FEATURE

| PART NO | A    | B    | C    | D    | PACKAGE |
|---------|------|------|------|------|---------|
| FWZ-3A  | 11.3 | 18.5 | 11.2 | ø3.4 | 500     |



6-36-3

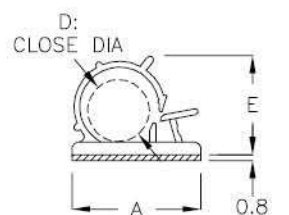


### 電線固定座 TIE MOUNT

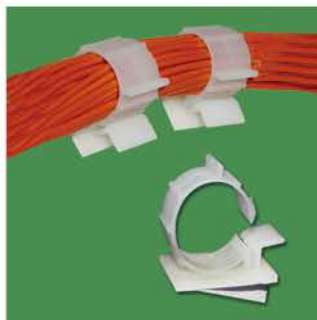
- MATERIAL: NYLON 66(UL)
- FLAME CLASS: 94V-2
- COLOR: NATURAL
- ADHESIVE TAPE: 3M

WITH LOCK FEATURE

| PART NO | A    | B    | C    | D     | E    | PACKAGE |
|---------|------|------|------|-------|------|---------|
| FW-04S  | 22.0 | 16.0 | 10.0 | ø11.7 | 18.6 | 200     |
| FW-3    | 25.0 | 19.6 | 12.0 | ø9.0  | 16.7 |         |
| FW-03A  | 19.0 | 19.0 | 9.0  | ø6.8  | 13.6 |         |
| FW-3S   | 21.0 | 19.0 | 9.0  | ø7.8  | 13.1 |         |
| FW-3L   | 21.6 | 16.8 | 12.0 | ø10.4 | 15.8 |         |
| FW-4    | 29.8 | 19.8 | 14.7 | ø12.6 | 27.2 | 100     |
| FW-04L  | 33.5 | 24.8 | 16.2 | ø19.0 | 31.0 |         |



6-36-4



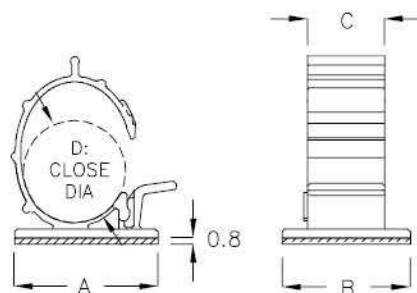
### 電線固定座 TIE MOUNT

- MATERIAL: NYLON 66(UL)
- FLAME CLASS: 94V-2
- COLOR: NATURAL
- ADHESIVE TAPE: 3M

WITH LOCK FEATURE

| PART NO | A    | B    | C    | D           | PACKAGE |
|---------|------|------|------|-------------|---------|
| FDD-28  | 28.0 | 25.0 | 15.0 | ∅19.5~∅20.0 | 100     |

### 6-37-1



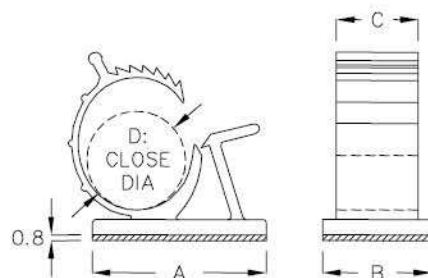
### 電線固定座 TIE MOUNT

- MATERIAL: NYLON 66(UL)
- FLAME CLASS: 94V-2
- COLOR: NATURAL
- ADHESIVE TAPE: 3M

WITH LOCK FEATURE

| PART NO | A    | B    | C    | D<br>CLOSE DIA | PACKAGE |
|---------|------|------|------|----------------|---------|
| FW-33   | 30.0 | 16.0 | 12.0 | ∅10.5~∅14.5    | 200     |
| FW-33A  | 25.5 | 16.0 | 12.0 | ∅10.5~∅14.5    |         |
| FW-39KP | 36.0 | 19.0 | 12.7 | ∅18.5~∅22.5    | 100     |
| FW-35   | 38.2 | 20.0 | 12.9 | ∅14.5~∅18.5    |         |
| FW-39   | 38.8 | 20.0 | 12.9 | ∅18.5~∅22.5    |         |

### 6-37-2



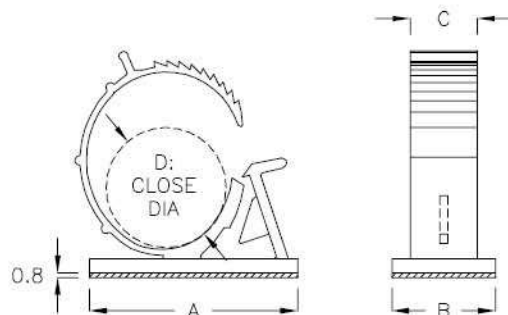
### 電線固定座 TIE MOUNT

- MATERIAL: NYLON 66(UL)
- FLAME CLASS: 94V-2
- COLOR: NATURAL
- ADHESIVE TAPE: 3M

WITH LOCK FEATURE

| PART NO | A    | B    | C    | D           | PACKAGE |
|---------|------|------|------|-------------|---------|
| FW-35C  | 35.0 | 19.0 | 12.9 | ∅27.0~∅29.0 | 100     |
| FW-40   | 40.0 | 20.0 | 12.9 | ∅22.5~∅26.5 |         |

### 6-37-3



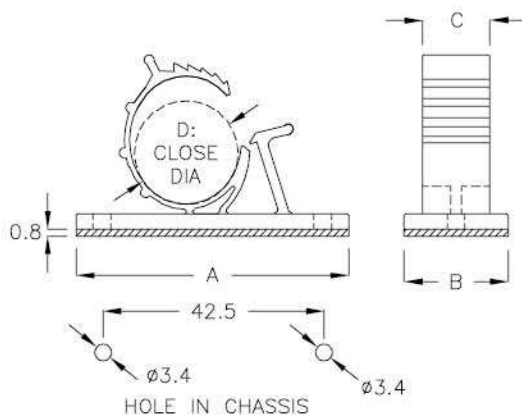
### 電線固定座 TIE MOUNT

- MATERIAL: NYLON 66(UL)
- FLAME CLASS: 94V-2
- COLOR: NATURAL
- ADHESIVE TAPE: 3M
- ALSO CAN BE FASTENED WITH M3 SCREW

WITH LOCK FEATURE

| PART NO | A    | B    | C    | D          | PACKAGE |
|---------|------|------|------|------------|---------|
| FWP-33  | 52.5 | 20.0 | 13.0 | ∅10.5~13.5 | 200     |
| FWP-52  | 52.5 | 20.0 | 13.0 | ∅14.5~17.5 | 100     |

### 6-37-4

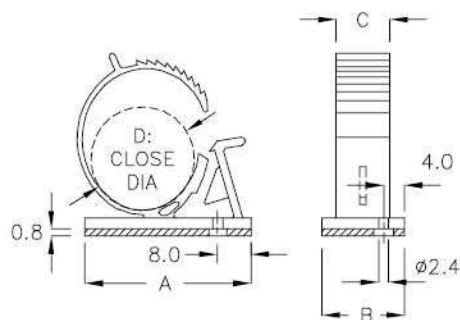




### 電線固定座 TIE MOUNT

- MATERIAL: NYLON 66(UL)
- FLAME CLASS: 94V-2
- COLOR: NATURAL
- ADHESIVE TAPE: 3M
- ALSO CAN BE FASTENED WITH M3 TAPPING SCREW

6-38-1



WITH LOCK FEATURE

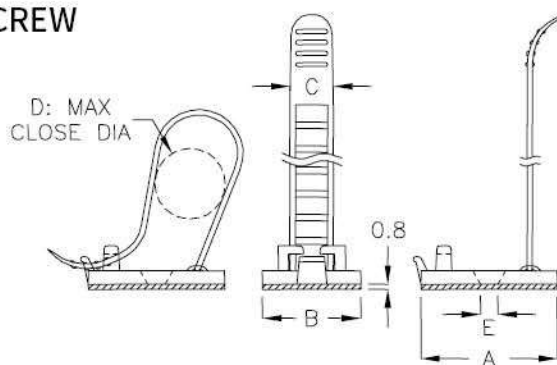
| PART NO | A    | B    | C    | D                          | PACKAGE |
|---------|------|------|------|----------------------------|---------|
| FWP-40  | 39.9 | 19.9 | 12.9 | $\phi 22.5 \sim \phi 26.5$ | 100     |



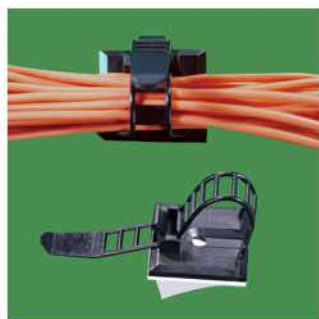
### 電線固定座 WIRE MOUNT

- MATERIAL: NYLON 66(UL)
- FLAME CLASS: 94V-2
- COLOR: NATURAL
- ADHESIVE TAPE: 3M
- ALSO CAN BE FASTENED WITH M3 COUNTERSUNK SCREW

6-38-2



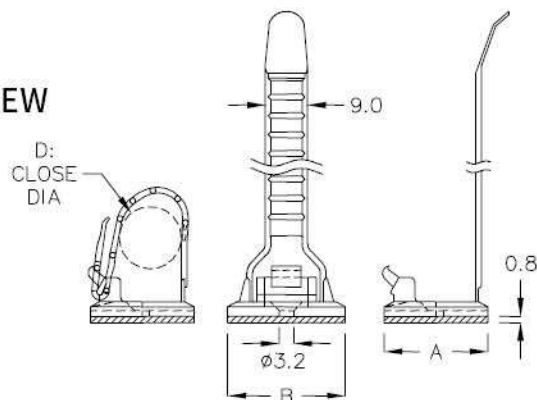
| PART NO | A    | B    | C    | D: MAX CLOSE DIA | E          | PACKAGE |
|---------|------|------|------|------------------|------------|---------|
| FWA-12  | 20.0 | 15.0 | 5.0  | $\phi 12.0$      | $\phi 3.4$ | 200     |
| FWA-13  | 25.0 | 18.0 | 7.9  | $\phi 13.0$      | $\phi 3.5$ |         |
| FWA-17  | 25.0 | 18.0 | 7.9  | $\phi 17.0$      | $\phi 3.5$ |         |
| FWA-19  | 20.0 | 15.0 | 5.0  | $\phi 19.5$      | $\phi 3.4$ |         |
| FWA-21  | 25.0 | 18.0 | 8.1  | $\phi 18.5$      | $\phi 3.5$ |         |
| FWA-22  | 30.5 | 21.0 | 12.0 | $\phi 22.0$      | $\phi 3.5$ | 100     |
| FWA-22C | 31.8 | 21.0 | 12.0 | $\phi 22.0$      | $\phi 3.6$ |         |
| FWA-26  | 30.5 | 21.0 | 12.0 | $\phi 26.0$      | $\phi 3.5$ |         |
| FWA-32K | 35.0 | 25.0 | 14.0 | $\phi 32.5$      | $\phi 3.2$ |         |



### 電線固定座 WIRE MOUNT

- MATERIAL: NYLON 66(UL)
- FLAME CLASS: 94V-2
- COLOR: BLACK
- ADHESIVE TAPE: 3M
- ALSO CAN BE FASTENED WITH M3 COUNTERSUNK SCREW

6-38-3



| PART NO | A    | B    | D CLOSE DIA                | PACKAGE |
|---------|------|------|----------------------------|---------|
| FWX-08  | 22.0 | 25.0 | $\phi 8.0 \sim \phi 10.0$  | 200     |
| FWX-10  | 22.0 | 25.0 | $\phi 10.0 \sim \phi 12.0$ |         |
| FWX-15  | 22.0 | 25.0 | $\phi 17.0 \sim \phi 18.0$ |         |
| FWX-15A | 22.0 | 25.0 | $\phi 18.5 \sim \phi 19.5$ |         |

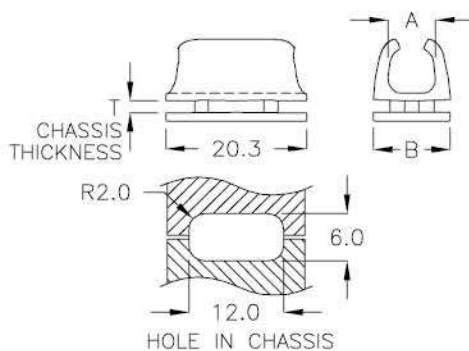




### 電線固定座 WIRE MOUNT

6-79-1

- MATERIAL: PE
- COLOR: BLACK



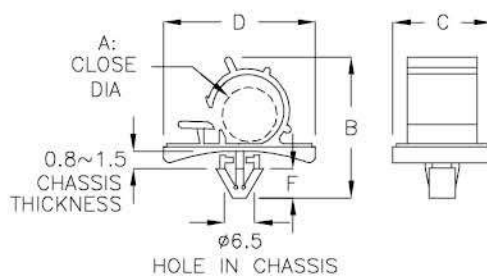
| PART NO | A   | B    | T<br>CHASSIS<br>THICKNESS | PACKAGE |
|---------|-----|------|---------------------------|---------|
| BAK-20A | 6.7 | 11.0 | 1.6                       | 500     |



### 電線固定座 WIRE MOUNT

6-79-2

- MATERIAL: NYLON 66(UL)
- FLAME CLASS: 94V-2
- COLOR: NATURAL



WITH LOCK FEATURE

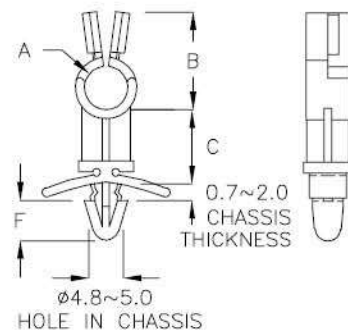
| PART NO | A     | B    | C    | D    | F   | PACKAGE |
|---------|-------|------|------|------|-----|---------|
| CC-3    | ø9.5  | 23.9 | 17.0 | 26.0 | 5.0 | 200     |
| CC-3PH  | ø7.8  | 24.9 | 19.0 | 21.0 | 4.8 |         |
| CC-4    | ø13.5 | 32.0 | 19.4 | 30.3 | 5.2 | 100     |
| CC-04A  | ø17.0 | 33.7 | 19.3 | 30.2 | 5.1 |         |



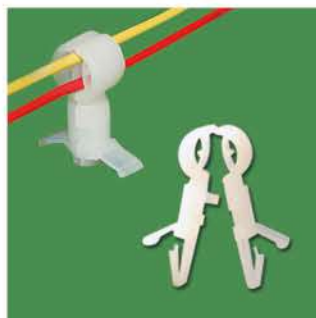
### 隔離束線座 WIRE SADDLE

6-79-3

- MATERIAL: NYLON 66(UL)
- FLAME CLASS: 94V-2
- COLOR: NATURAL



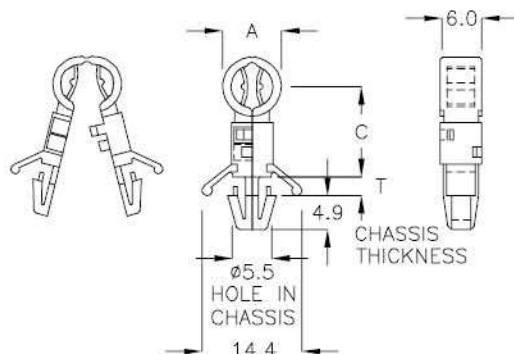
| PART NO | A    | B    | C    | F   | PACKAGE |
|---------|------|------|------|-----|---------|
| CS-6    | ø6.2 | 14.0 | 6.35 | 5.8 | 500     |
| CS-12   | ø6.2 | 14.0 | 13.0 | 5.9 |         |



### 光纖固定座 FIBER HOUSING

6-79-4

- MATERIAL: NYLON 66(UL)
- FLAME CLASS: 94V-2
- COLOR: NATURAL



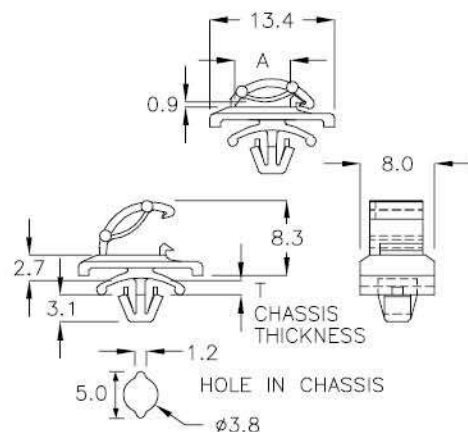
| PART NO | A    | C    | T<br>CHASSIS<br>THICKNESS | PACKAGE |
|---------|------|------|---------------------------|---------|
| CCA-13  | ø8.5 | 13.0 | 0.8~2.3                   | 500     |



### 光纖固定座 FIBER HOUSING

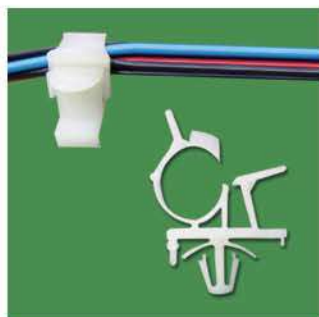
6-80-1

- MATERIAL: NYLON 66(UL)
- FLAME CLASS: 94V-2
- COLOR: NATURAL



Built-In Anti-Spin Function WITH LOCK FEATURE

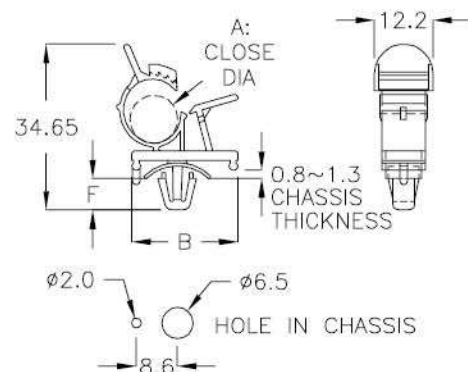
| PART NO | A   | T<br>CHASSIS<br>THICKNESS | PACKAGE |
|---------|-----|---------------------------|---------|
| CHX-01  | 6.0 | 0.8~1.6                   | 1000    |
| CHX-1A  | 6.0 | 0.8~2.5                   |         |



### 電線固定座 WIRE MOUNT

6-80-2

- MATERIAL: NYLON 66(UL)
- FLAME CLASS: 94V-2
- COLOR: NATURAL



Built-In Anti-Spin Function WITH LOCK FEATURE

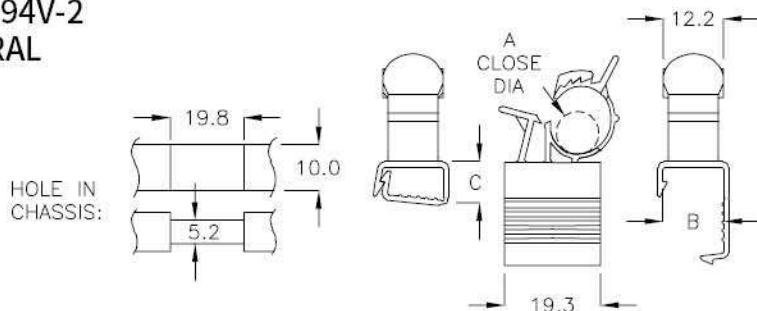
| PART NO | A          | F   | B    | PACKAGE |
|---------|------------|-----|------|---------|
| FWD-01  | ø7.7~ø10.0 | 6.8 | 22.1 | 500     |
| FWD-02  | ø8.0~ø9.5  | 6.6 | 19.3 |         |



### 電線固定座 WIRE MOUNT

6-80-3

- MATERIAL: NYLON 66(UL)
- FLAME CLASS: 94V-2
- COLOR: NATURAL



Built-In Anti-Spin Function WITH LOCK FEATURE

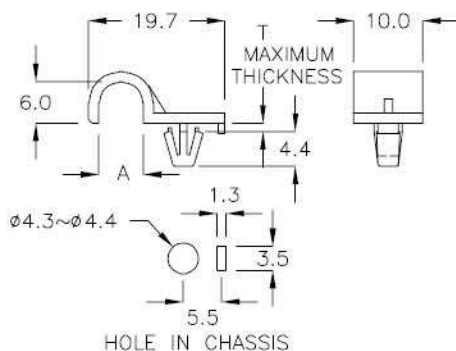
| PART NO | A         | B    | C   | PACKAGE |
|---------|-----------|------|-----|---------|
| FWC-01  | ø7.5~ø9.0 | 12.4 | 8.2 | 100     |



電線固定座 WIRE MOUNT

6-81-1

- MATERIAL: NYLON 66(UL)
- FLAME CLASS: 94V-2
- COLOR: NATURAL



Built-In Anti-Spin Function WITH LOCK FEATURE

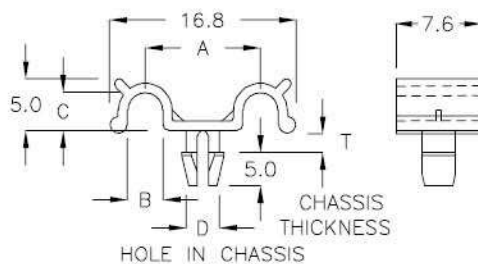
| PART NO | A   | T<br>MAXIMUM THICKNESS | PACKAGE |
|---------|-----|------------------------|---------|
| CU-06A  | 6.4 | 1.1                    | 1000    |



電線固定座 WIRE MOUNT

6-81-2

- MATERIAL: NYLON 66(UL)
- FLAME CLASS: 94V-2
- COLOR: NATURAL



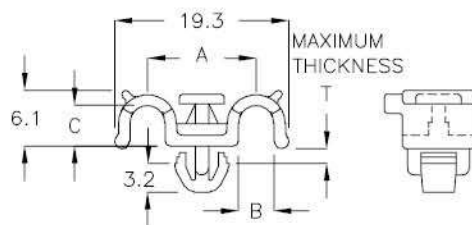
| PART NO | A    | B   | C   | D<br>HOLE IN CHASSIS | T<br>CHASSIS THICKNESS | PACKAGE |
|---------|------|-----|-----|----------------------|------------------------|---------|
| CIC-01  | 10.4 | 3.2 | 3.4 | $\phi 3.2$           | 1.6~1.8                | 1000    |



電線固定座 WIRE MOUNT

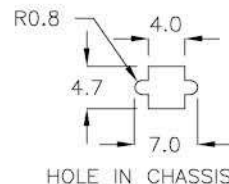
6-81-3

- MATERIAL: NYLON 66(UL)
- FLAME CLASS: 94V-2
- COLOR: NATURAL



Built-In Anti-Spin Function

| PART NO | A    | B    | C   | T<br>MAXIMUM THICKNESS | PACKAGE |
|---------|------|------|-----|------------------------|---------|
| CIS-18K | 12.0 | 3.95 | 4.5 | 1.5                    | 1000    |



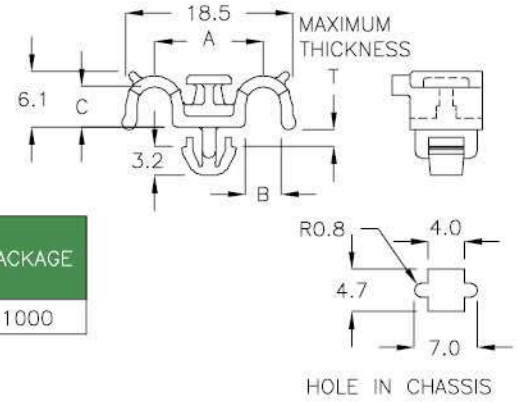


### 電線固定座 WIRE MOUNT

- MATERIAL: NYLON 66(UL)
- FLAME CLASS: 94V-2
- COLOR: NATURAL

Built-In Anti-Spin Function

| PART NO  | A    | B    | C   | T<br>MAXIMUM THICKNESS | PACKAGE |
|----------|------|------|-----|------------------------|---------|
| CIS-18RS | 12.0 | 3.95 | 4.5 | 1.6~2.0                | 1000    |

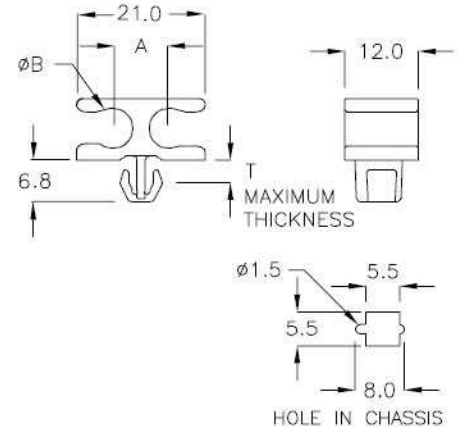


### 電線固定座 WIRE MOUNT

- MATERIAL: NYLON 66(UL)
- FLAME CLASS: 94V-2
- COLOR: NATURAL

Built-In Anti-Spin Function

| PART NO | A   | B    | T<br>MAXIMUM THICKNESS | PACKAGE |
|---------|-----|------|------------------------|---------|
| CIK-21  | 8.7 | ∅6.5 | 2.5                    | 500     |

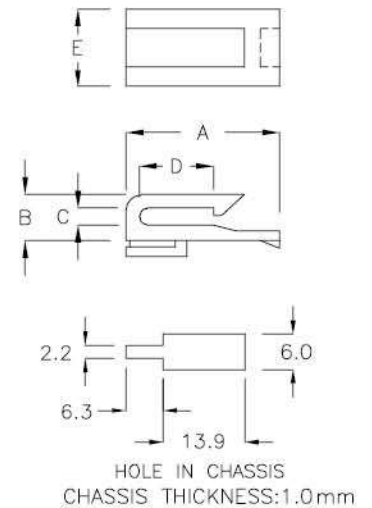


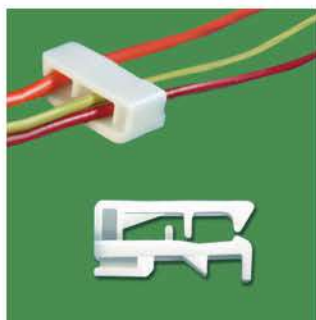
### 電線固定座 WIRE MOUNT

- MATERIAL: NYLON 66(UL)
- FLAME CLASS: 94V-2
- COLOR: NATURAL

Built-In Anti-Spin Function

| PART NO | A    | B   | C   | D   | E    | PACKAGE |
|---------|------|-----|-----|-----|------|---------|
| LFE-01  | 20.1 | 6.0 | 2.2 | 9.7 | 10.0 | 1000    |





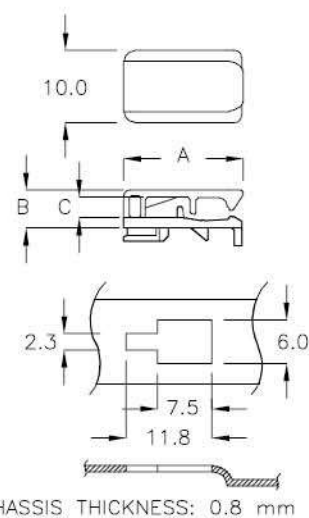
### 電線固定座 WIRE MOUNT

6-83-1

- MATERIAL: NYLON 66(UL)
- FLAME CLASS: 94V-2
- COLOR: NATURAL

Built-In Anti-Spin Function

| PART NO | A    | B   | C    | PACKAGE |
|---------|------|-----|------|---------|
| LFK-16A | 16.5 | 5.3 | 2.85 | 1000    |

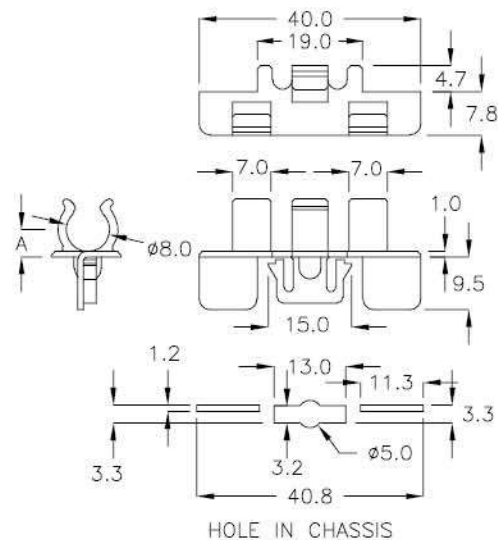


### 隔離束線座 WIRE SADDLE

6-83-2

- MATERIAL: NYLON 66(UL)
- FLAME CLASS: 94V-2
- COLOR: BLACK

| PART NO | A   | B    | PACKAGE |
|---------|-----|------|---------|
| CHY-01  | 5.0 | 12.5 | 500     |

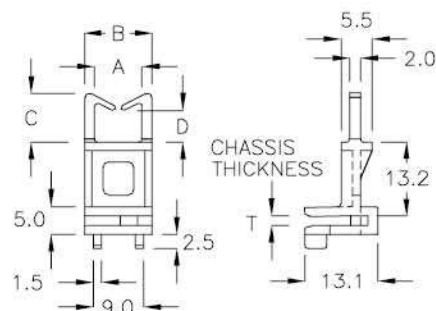


### 電線固定座 WIRE MOUNT

6-83-3

- MATERIAL: NYLON 66(UL)
- FLAME CLASS: 94V-2
- COLOR: NATURAL

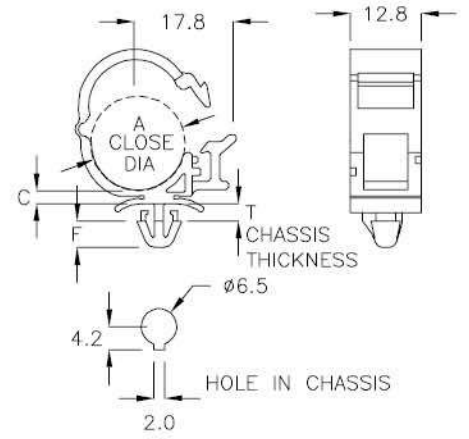
| PART NO | A   | B    | C   | D   | T<br>CHASSIS<br>THICKNESS | PACKAGE |
|---------|-----|------|-----|-----|---------------------------|---------|
| CNG-13  | 8.5 | 12.0 | 8.8 | 5.6 | 1.6                       | 500     |





### 電線固定座 WIRE MOUNT

- MATERIAL: NYLON 66(UL)
- FLAME CLASS: 94V-2
- COLOR: BLACK

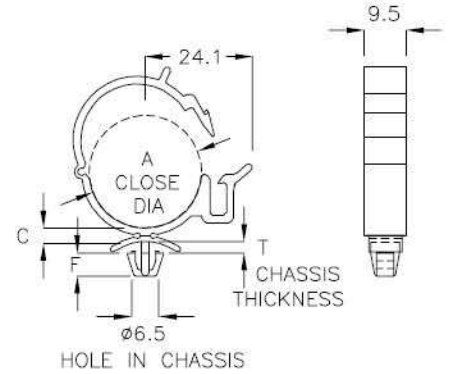


| PART NO  | A     | C   | T<br>CHASSIS<br>THICKNESS | F   | PACKAGE |
|----------|-------|-----|---------------------------|-----|---------|
| CCF-17RS | ø17.0 | 2.3 | 0.8                       | 4.8 | 100     |



### 電線固定座 WIRE MOUNT

- MATERIAL: NYLON 66(UL)
- FLAME CLASS: 94V-2
- COLOR: NATURAL



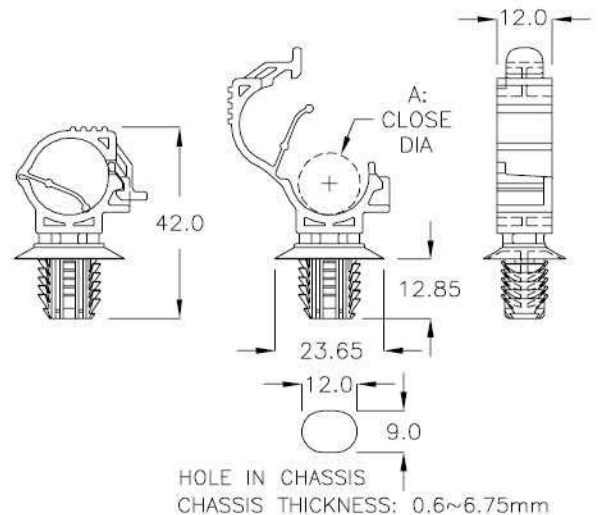
WITH LOCK FEATURE

| PART NO | A     | C   | T<br>CHASSIS<br>THICKNESS | F   | PACKAGE |
|---------|-------|-----|---------------------------|-----|---------|
| CKL-25  | ø25.4 | 3.6 | 0.8~1.8                   | 5.6 | 100     |
| CKL-25A | ø25.4 | 3.6 | 2.5~3.0                   | 5.7 |         |



### 電線固定座 WIRE MOUNT

- MATERIAL: NYLON 66(UL)
- FLAME CLASS: 94V-2
- COLOR: BLACK



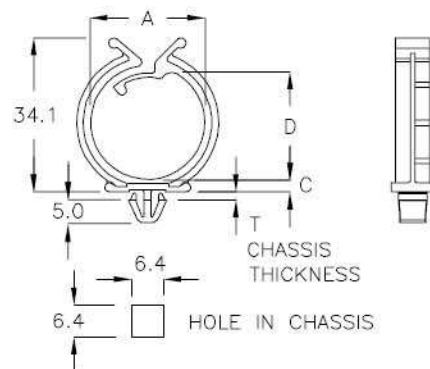
| PART NO   | A     | PACKAGE |
|-----------|-------|---------|
| CKIM-16HQ | ø10.0 | 100     |



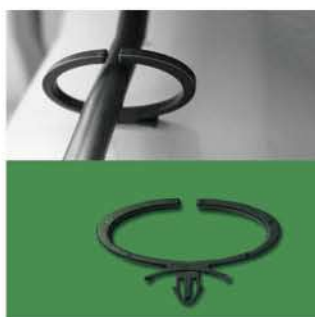
### 隔離束線座 WIRE SADDLE

6-85-1

- MATERIAL: NYLON 66(UL)
- FLAME CLASS: 94V-2
- COLOR: NATURAL



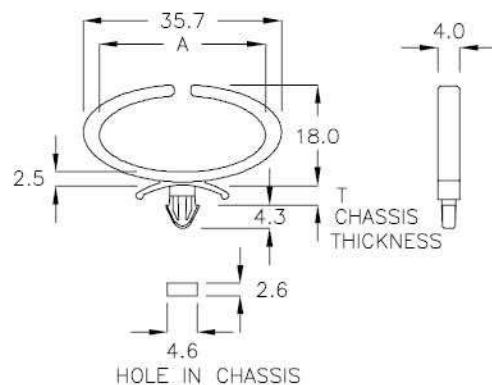
| PART NO | A    | C    | D    | T<br>CHASSIS<br>THICKNESS | PACKAGE |
|---------|------|------|------|---------------------------|---------|
| TDH-25  | 25.5 | 2.55 | 24.0 | 0.6~1.2                   | 200     |



### 隔離束線座 WIRE SADDLE

6-85-2

- MATERIAL: NYLON 66(UL)
- FLAME CLASS: 94V-2
- COLOR: BLACK



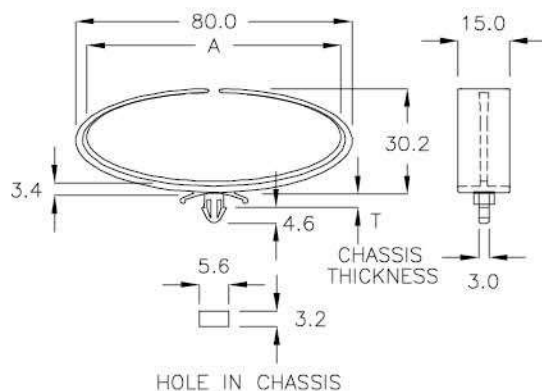
| PART NO | A    | T<br>CHASSIS<br>THICKNESS | PACKAGE |
|---------|------|---------------------------|---------|
| CHP-2A  | 29.9 | 1.2~2.8                   | 500     |



### 隔離束線座 WIRE SADDLE

6-85-3

- MATERIAL: NYLON 66(UL)
- FLAME CLASS: 94V-2
- COLOR: BLACK



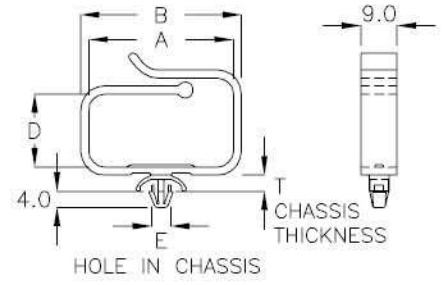
| PART NO | A    | T<br>CHASSIS<br>THICKNESS | PACKAGE |
|---------|------|---------------------------|---------|
| CHP-8A  | 73.5 | 2.5~3.0                   | 100     |



### 隔離束線座 WIRE SADDLE

6-86-1

- MATERIAL: NYLON 66(UL)
- FLAME CLASS: 94V-2
- COLOR: BLACK



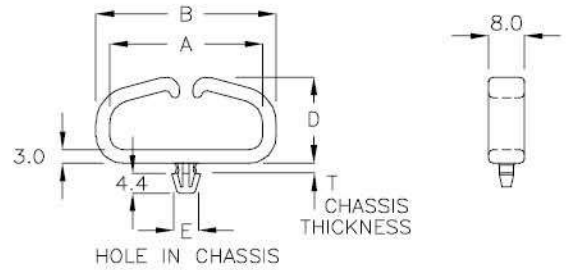
| PART NO | A    | B    | D    | E    | T       | PACKAGE |
|---------|------|------|------|------|---------|---------|
| CND-40  | 36.0 | 40.0 | 18.1 | ø4.8 | 1.3~2.8 | 200     |



### 隔離束線座 WIRE SADDLE

6-86-2

- MATERIAL: NYLON 66(UL)
- FLAME CLASS: 94V-2
- COLOR: NATURAL



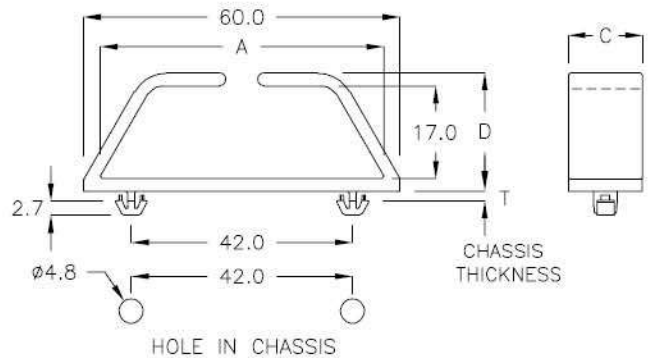
| PART NO | A    | B    | D    | E         | T       | PACKAGE |
|---------|------|------|------|-----------|---------|---------|
| CKQ-40  | 33.8 | 39.8 | 18.5 | ø4.9~ø5.0 | 1.8~2.0 | 500     |
| CKQ-44  | 41.6 | 48.8 | 23.4 | ø4.9~ø5.0 | 1.8~2.0 | 200     |
| CKQ-55  | 49.0 | 55.0 | 18.3 | ø4.9~ø5.0 | 1.8~2.0 |         |



### 隔離束線座 WIRE SADDLE

6-86-3

- MATERIAL: NYLON 66(UL)
- FLAME CLASS: 94V-2
- COLOR: BLACK



| PART NO | A    | C    | D    | T   | PACKAGE |
|---------|------|------|------|-----|---------|
| CKQ-60  | 53.8 | 14.0 | 22.0 | 1.5 | 200     |

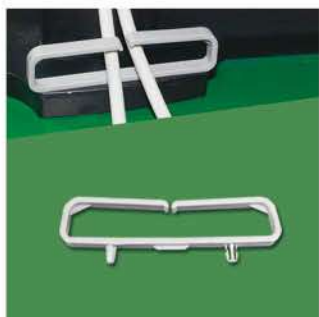
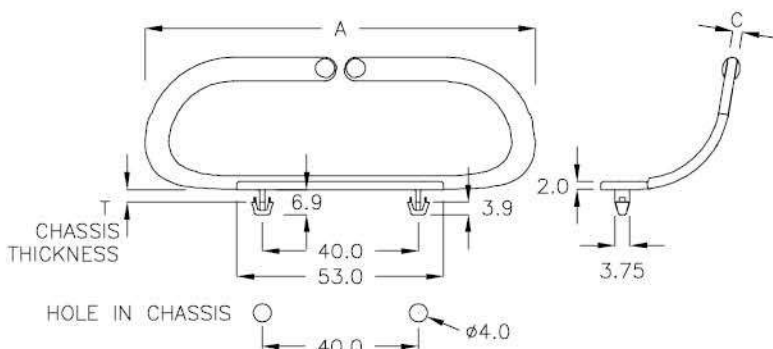




隔離束線座 WIRE SADDLE 6-87-1

- MATERIAL: PP
- COLOR: NATURAL

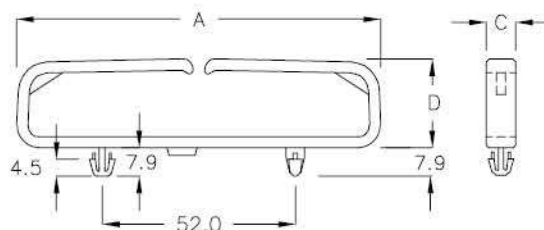
| PART NO | A     | C   | T CHASSIS THICKNESS | PACKAGE |
|---------|-------|-----|---------------------|---------|
| CKF-40  | 100.0 | 2.5 | 3.0                 | 100     |



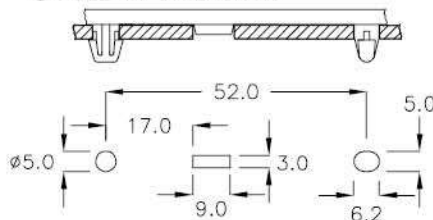
隔離束線座 WIRE SADDLE 6-87-2

- MATERIAL: NYLON 66(UL)
- FLAME CLASS: 94V-2
- COLOR: NATURAL

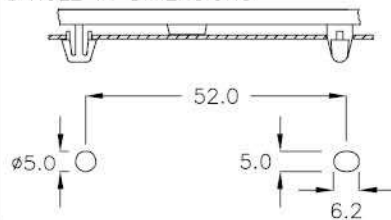
| PART NO | A    | C   | D    | PACKAGE |
|---------|------|-----|------|---------|
| CKQ-98  | 98.0 | 8.0 | 24.0 | 100     |



- ◎ CHASSIS THICKNESS: 3.0 mm
- ◎ HOLE IN DIMENSIONS



- ◎ CHASSIS THICKNESS: 1.0 mm
- ◎ HOLE IN DIMENSIONS





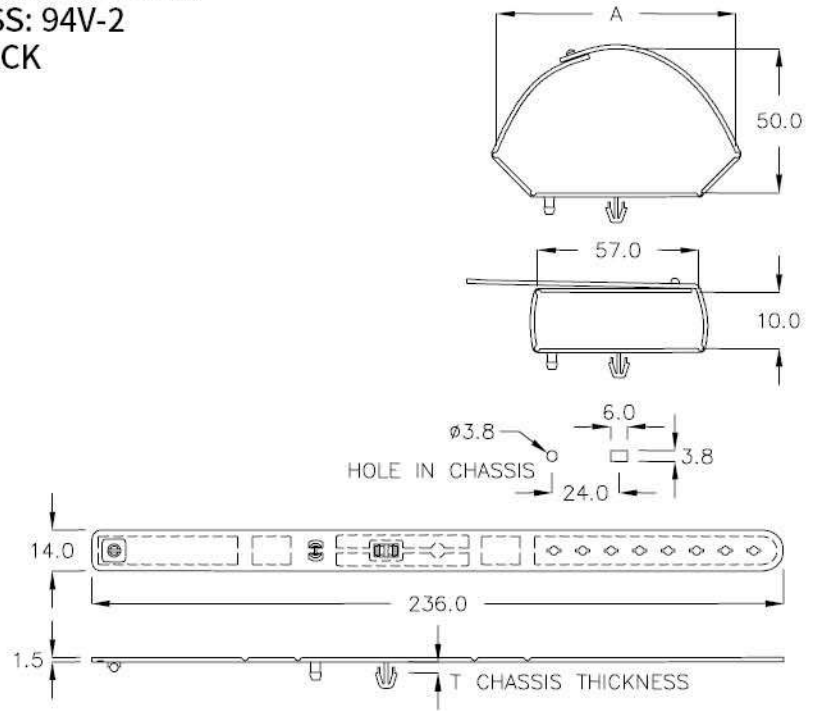
### 隔離束線座 WIRE SADDLE

6-88-1

- MATERIAL: NYLON 66(UL)
- FLAME CLASS: 94V-2
- COLOR: BLACK

WITH LOCK FEATURE

| PART NO | A    | T<br>CHASSIS<br>THICKNESS | PACKAGE |
|---------|------|---------------------------|---------|
| BSR-235 | 80.0 | 3.2                       | 200     |



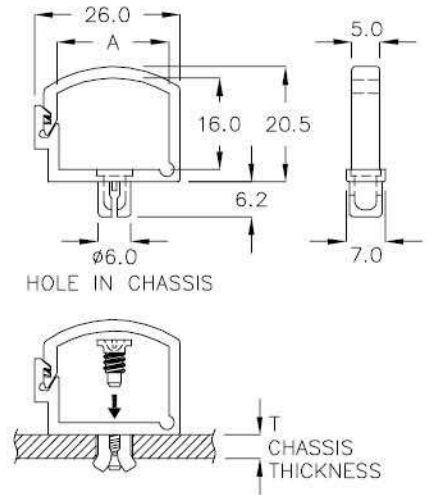
### 隔離束線座 WIRE SADDLE

6-88-2

- MATERIAL: NYLON 66(UL)
- FLAME CLASS: 94V-2
- COLOR: NATURAL

WITH LOCK FEATURE

| PART NO | A    | T<br>CHASSIS<br>THICKNESS | PACKAGE |
|---------|------|---------------------------|---------|
| CKP-16  | 20.0 | 1.6~2.6                   | 500     |



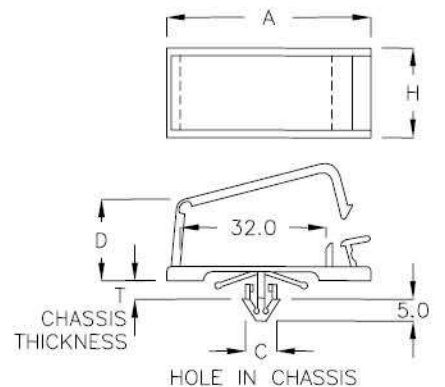
### 電線固定座 WIRE MOUNT

6-88-3

- MATERIAL: NYLON 66(UL)
- FLAME CLASS: 94V-2
- COLOR: NATURAL

WITH LOCK FEATURE

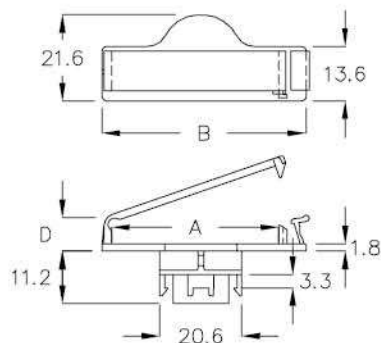
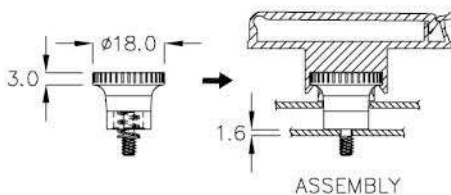
| PART NO | A     | C<br>HOLE IN<br>CHASSIS | D    | H    | T<br>CHASSIS<br>THICKNESS | PACKAGE |
|---------|-------|-------------------------|------|------|---------------------------|---------|
| FWH-01  | 44.8  | ø6.4                    | 17.5 | 18.8 | 1.8~3.2                   | 200     |
| FWH-02  | 44.45 | ø6.3                    | 12.3 | 19.0 | 0.5~1.8                   |         |





電線固定板 CABLE CLAMP ————— | 6-89-1 |

- MATERIAL: NYLON 66(UL)
- FLAME CLASS: 94V-0
- COLOR: BLACK



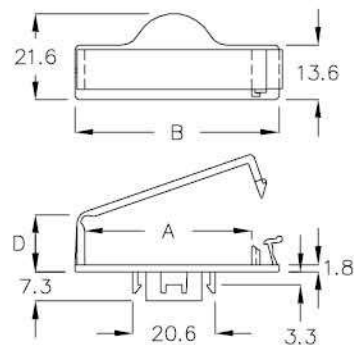
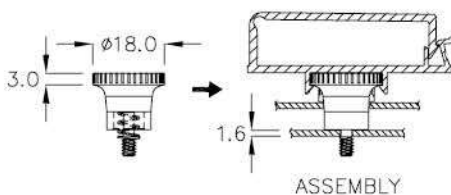
WITH LOCK FEATURE

| PART NO  | A    | B    | D   | PACKAGE |
|----------|------|------|-----|---------|
| FWTA-42A | 42.0 | 51.2 | 8.4 | 100     |



電線固定板 CABLE CLAMP ————— | 6-89-2 |

- MATERIAL: NYLON 66(UL)
- FLAME CLASS: 94V-0
- COLOR: BLACK



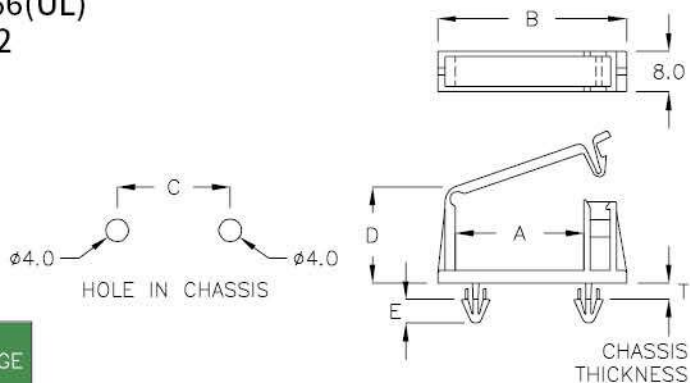
WITH LOCK FEATURE

| PART NO  | A    | B    | D    | PACKAGE |
|----------|------|------|------|---------|
| FWTA-42C | 42.0 | 51.2 | 14.3 | 100     |



電線固定座 WIRE MOUNT ————— | 6-89-3 |

- MATERIAL: NYLON 66(UL)
- FLAME CLASS: 94V-2
- COLOR: NATURAL



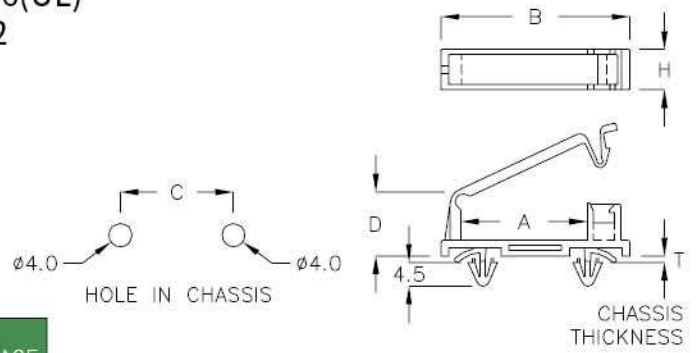
WITH LOCK FEATURE

| PART NO | A    | B    | C    | D    | E   | T<br>CHASSIS<br>THICKNESS | PACKAGE |
|---------|------|------|------|------|-----|---------------------------|---------|
| CKK-3C  | 16.6 | 28.0 | 16.0 | 17.7 | 4.7 | 1.0                       | 500     |
| CKK-3A  | 16.6 | 28.0 | 16.0 | 18.8 | 4.9 | 3.0                       |         |
| CKK-03  | 19.1 | 31.0 | 16.0 | 18.6 | 4.9 | 3.0                       |         |
| CKK-04  | 24.1 | 34.3 | 20.0 | 17.9 | 4.8 | 3.0                       |         |
| CKK-05  | 24.1 | 36.0 | 20.0 | 12.2 | 4.8 | 3.0                       |         |



電線固定座 WIRE MOUNT 6-90-1

- MATERIAL: NYLON 66(UL)
- FLAME CLASS: 94V-2
- COLOR: NATURAL



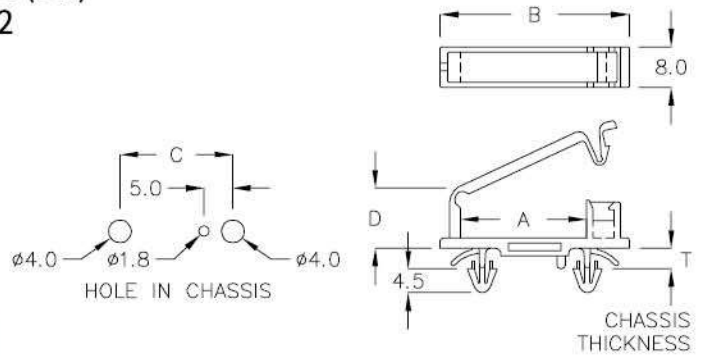
WITH LOCK FEATURE

| PART NO | A    | B    | C    | D    | H    | T<br>CHASSIS<br>THICKNESS | PACKAGE |
|---------|------|------|------|------|------|---------------------------|---------|
| CKK-3F  | 16.6 | 27.0 | 16.0 | 17.3 | 15.0 | 0.8~1.0                   | 200     |
| CKK-05A | 24.1 | 36.0 | 20.0 | 12.4 | 8.0  | 0.8~1.0                   | 500     |
| CKK-05D | 28.1 | 40.0 | 20.0 | 13.3 | 8.0  | 0.8~1.0                   |         |



電線固定座 WIRE MOUNT 6-90-2

- MATERIAL: NYLON 66(UL)
- FLAME CLASS: 94V-2
- COLOR: NATURAL



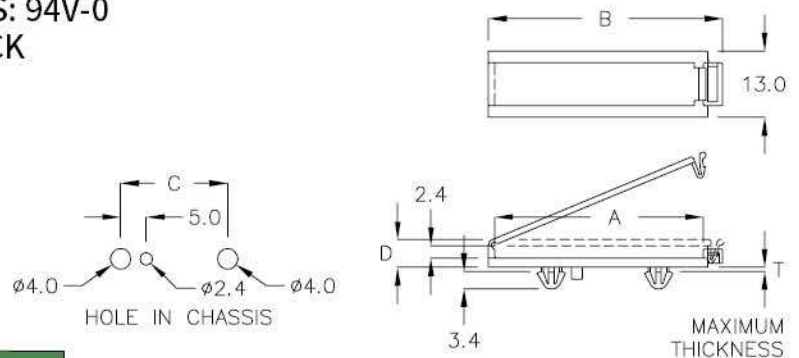
WITH LOCK FEATURE

| PART NO | A    | B    | C    | D    | T<br>CHASSIS<br>THICKNESS | PACKAGE |
|---------|------|------|------|------|---------------------------|---------|
| CKK-05C | 24.1 | 36.0 | 20.0 | 12.4 | 0.8~2.0                   | 500     |



電線固定座 WIRE MOUNT 6-90-3

- MATERIAL: NYLON 66(UL)
- FLAME CLASS: 94V-0
- COLOR: BLACK



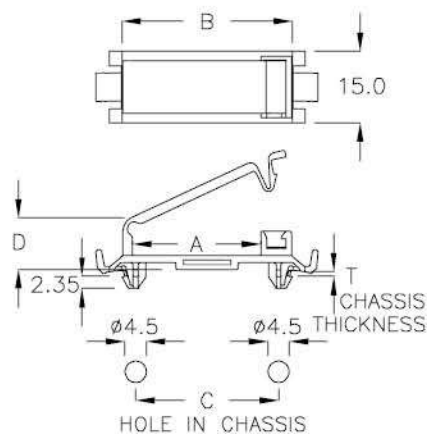
WITH LOCK FEATURE

| PART NO | A    | B    | C    | D   | T<br>MAXIMUM<br>THICKNESS | PACKAGE |
|---------|------|------|------|-----|---------------------------|---------|
| FAB-41K | 41.0 | 45.9 | 21.0 | 5.4 | 0.5                       | 200     |



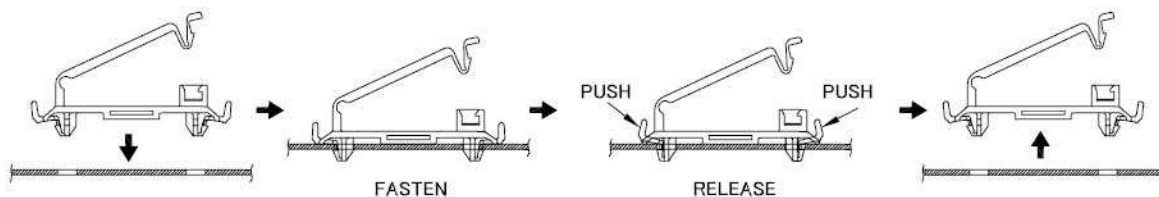
電線固定座 WIRE MOUNT ————— | 6-91-1 |

- MATERIAL: NYLON 66(UL)
  - FLAME CLASS: 94V-2
  - COLOR: NATURAL
- 可由板上拆卸



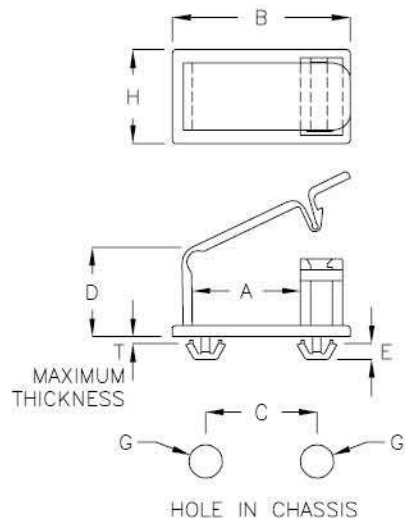
WITH LOCK FEATURE

| PART NO | A    | B    | C    | D    | T<br>CHASSIS<br>THICKNESS | PACKAGE |
|---------|------|------|------|------|---------------------------|---------|
| CXR-27A | 27.0 | 36.0 | 30.0 | 10.9 | 0.8                       | 200     |



電線固定座 WIRE MOUNT ————— | 6-91-2 |

- MATERIAL: NYLON 66(UL)
- FLAME CLASS: 94V-2
- COLOR: NATURAL



WITH LOCK FEATURE

| PART NO    | A    | B    | C    | D    | E    | G    | H    | T<br>MAXIMUM<br>THICKNESS | PACKAGE |
|------------|------|------|------|------|------|------|------|---------------------------|---------|
| CKK-06     | 19.4 | 31.9 | 20.0 | 15.2 | 2.85 | ∅6.0 | 16.8 | 1.0                       | 500     |
| CKK-5K     | 24.1 | 36.0 | 20.0 | 8.9  | 3.0  | ∅4.0 | 8.0  | 1.0                       |         |
| ★ CKK-24AF | 24.1 | 34.3 | 20.0 | 17.9 | 2.8  | ∅4.0 | 8.0  | 0.8                       |         |



### 電線固定座 WIRE MOUNT

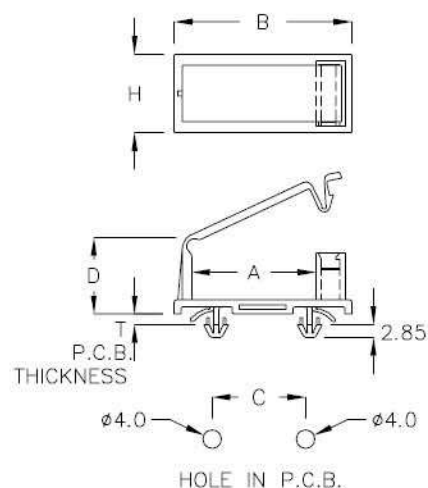
6-92-1

- MATERIAL: NYLON 66(UL)
- FLAME CLASS: 94V-0
- COLOR: BLACK



WITH LOCK FEATURE

| PART NO   | A    | B    | C    | D    | H    | T<br>P.C.B.<br>THICKNESS | PACKAGE |
|-----------|------|------|------|------|------|--------------------------|---------|
| ★ CKK-26F | 26.5 | 38.0 | 20.0 | 16.5 | 16.8 | 0.8~2.0                  | 200     |



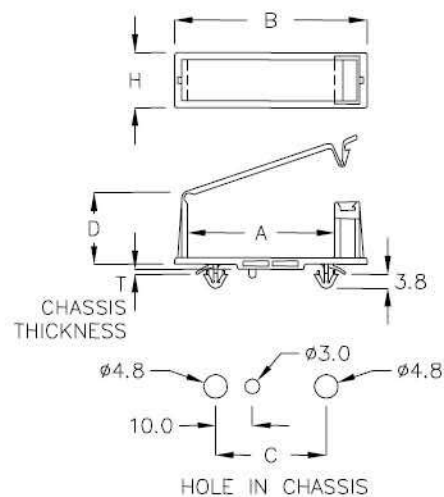
### 電線固定座 WIRE MOUNT

6-92-2

- MATERIAL: NYLON 66(UL)
- FLAME CLASS: 94V-2
- COLOR: NATURAL, BLACK

WITH LOCK FEATURE

| PART NO  | A    | B    | C    | D    | H    | T<br>CHASSIS<br>THICKNESS | PACKAGE |
|----------|------|------|------|------|------|---------------------------|---------|
| CYA-40   | 40.0 | 52.3 | 30.0 | 10.3 | 15.0 | 0.8~1.0                   | 100     |
| CYA-40KM | 40.0 | 52.3 | 33.0 | 23.4 | 15.0 | 0.8~1.0                   |         |
| CYA-40PS | 40.0 | 52.3 | 33.0 | 23.4 | 15.0 | 1.2~1.4                   |         |
| CYA-45   | 45.0 | 57.3 | 30.0 | 13.8 | 17.0 | 0.8~1.0                   |         |
| CYA-45AM | 45.0 | 57.3 | 33.0 | 33.6 | 17.0 | 0.8~1.0                   |         |



### 電線固定座 WIRE MOUNT

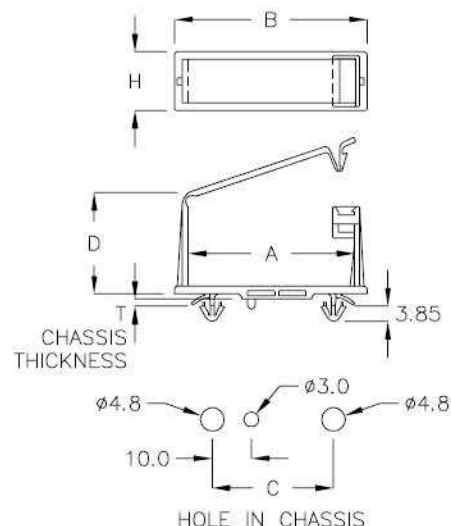
6-92-3

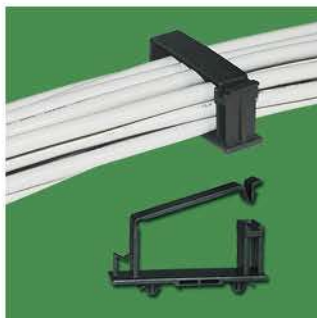
- MATERIAL: NYLON 66(UL)
- FLAME CLASS: 94V-0
- COLOR: BLACK



WITH LOCK FEATURE

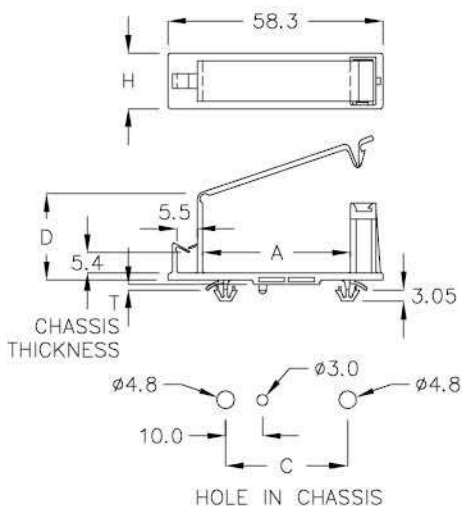
| PART NO   | A    | B    | C    | D    | H    | T<br>CHASSIS<br>THICKNESS | PACKAGE |
|-----------|------|------|------|------|------|---------------------------|---------|
| ★ CYAA-43 | 42.6 | 49.3 | 31.0 | 35.0 | 15.0 | 1.2~1.4                   | 100     |





電線固定座 WIRE MOUNT 6-93-1

- MATERIAL: NYLON 66(UL)
- FLAME CLASS: 94V-2
- COLOR: BLACK

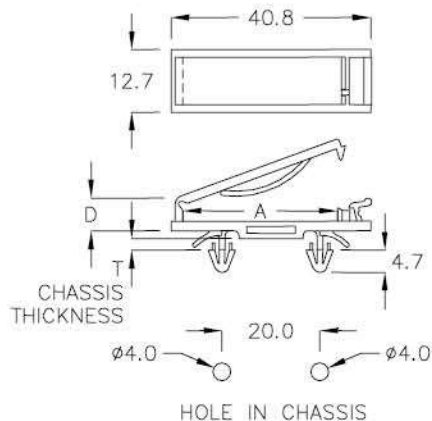


| PART NO  | A    | C    | D    | H    | T<br>CHASSIS<br>THICKNESS | PACKAGE |
|----------|------|------|------|------|---------------------------|---------|
| CYG-40RT | 40.0 | 33.0 | 23.2 | 15.0 | 0.8~1.0                   | 100     |



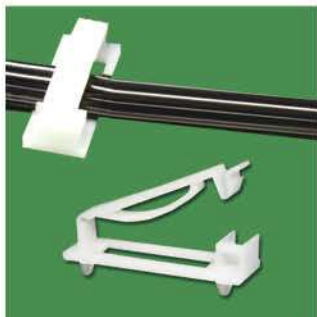
排線固定板 FLAT CABLE CLAMP 6-93-2

- MATERIAL: NYLON 66(UL)
- FLAME CLASS: 94V-2
- COLOR: NATURAL



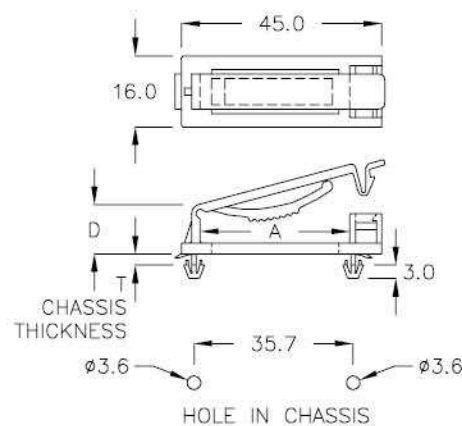
WITH LOCK FEATURE

| PART NO | A    | D   | T<br>CHASSIS<br>THICKNESS | PACKAGE |
|---------|------|-----|---------------------------|---------|
| FCC-20  | 31.3 | 7.1 | 0.8~2.0                   | 500     |



電線固定座 WIRE MOUNT 6-93-3

- MATERIAL: NYLON 66(UL)
- FLAME CLASS: 94V-2
- COLOR: NATURAL



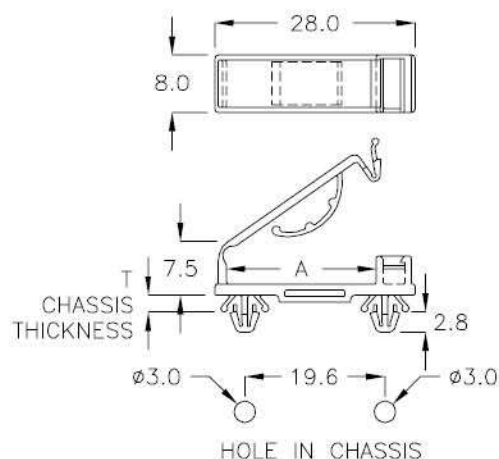
WITH LOCK FEATURE

| PART NO | A    | D    | T<br>CHASSIS<br>THICKNESS | PACKAGE |
|---------|------|------|---------------------------|---------|
| FCS-20  | 33.6 | 10.7 | 1.4~1.6                   | 200     |



## 排線固定板 FLAT CABLE CLAMP ———— 6-94-1 |

- MATERIAL: NYLON 66(UL)
- FLAME CLASS: 94V-2
- COLOR: BLACK



WITH LOCK FEATURE

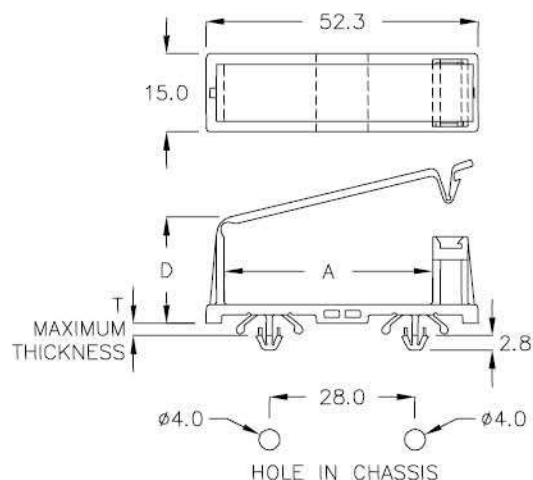
| PART NO  | A    | T<br>CHASSIS<br>THICKNESS | PACKAGE |
|----------|------|---------------------------|---------|
| FCSD-21A | 21.0 | 0.8~1.2                   | 200     |



## 電線固定座 WIRE MOUNT ———— 6-94-2 |

- MATERIAL: NYLON 66(UL)
- FLAME CLASS: 94V-0
- COLOR: BLACK

NEW



WITH LOCK FEATURE

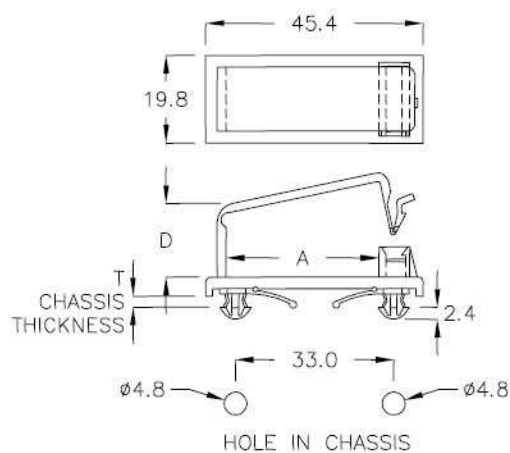
| PART NO   | A    | D    | T<br>MAXIMUM<br>THICKNESS | PACKAGE |
|-----------|------|------|---------------------------|---------|
| ★ FAA-40C | 40.0 | 26.0 | 2.0                       | 100     |



## 電線固定座 WIRE MOUNT ———— 6-94-3 |

- MATERIAL: NYLON 66(UL)
- FLAME CLASS: 94V-0
- COLOR: NATURAL

NEW



WITH LOCK FEATURE

| PART NO   | A    | D    | T<br>CHASSIS<br>THICKNESS | PACKAGE |
|-----------|------|------|---------------------------|---------|
| ★ FAA-31K | 31.8 | 15.0 | 0.8~2.0                   | 100     |

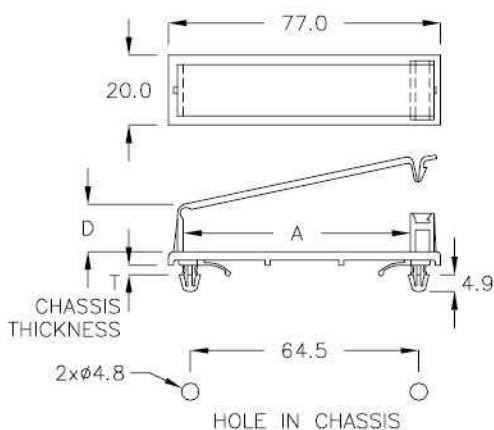




### 電線固定座 WIRE MOUNT

6-95-1

- MATERIAL: NYLON 66(UL)
- FLAME CLASS: 94V-2
- COLOR: NATURAL



WITH LOCK FEATURE

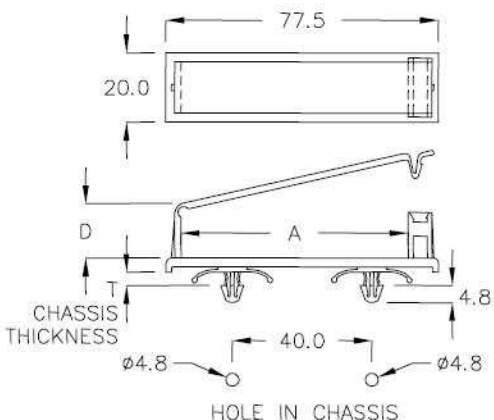
| PART NO | A    | D    | T<br>CHASSIS<br>THICKNESS | PACKAGE |
|---------|------|------|---------------------------|---------|
| FAA-50  | 64.0 | 9.0  | 1.8~2.3                   | 100     |
| FAA-51  | 64.0 | 15.4 | 1.8~2.3                   |         |



### 電線固定座 WIRE MOUNT

6-95-2

- MATERIAL: NYLON 66(UL)
- FLAME CLASS: 94V-2
- COLOR: NATURAL



WITH LOCK FEATURE

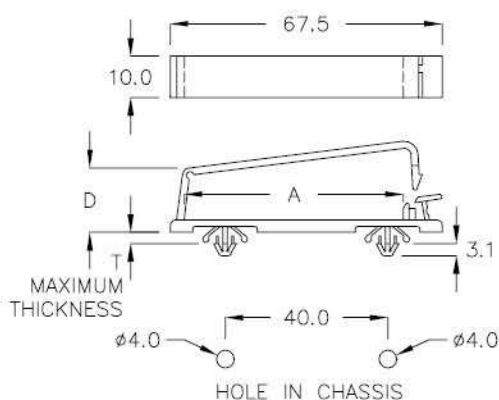
| PART NO | A    | D    | T<br>CHASSIS<br>THICKNESS | PACKAGE |
|---------|------|------|---------------------------|---------|
| FAA-51A | 65.1 | 15.4 | 2.0~3.4                   | 100     |



### 電線固定座 WIRE MOUNT

6-95-3

- MATERIAL: NYLON 66(UL)
- FLAME CLASS: 94V-2
- COLOR: NATURAL



WITH LOCK FEATURE

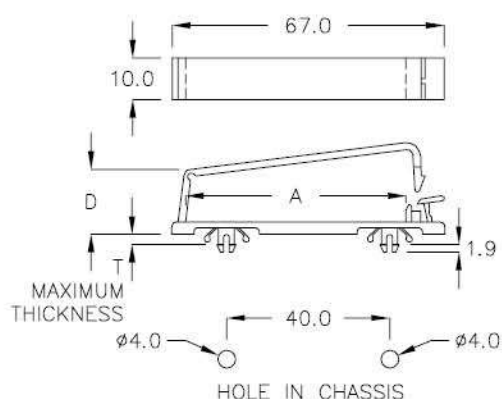
| PART NO | A    | D    | T<br>MAXIMUM<br>THICKNESS | PACKAGE |
|---------|------|------|---------------------------|---------|
| FCC-40A | 54.0 | 16.0 | 2.0                       | 100     |



### 電線固定座 WIRE MOUNT

6-95-4

- MATERIAL: NYLON 66(UL)
- FLAME CLASS: 94V-2
- COLOR: NATURAL



WITH LOCK FEATURE

| PART NO | A    | D    | T<br>MAXIMUM<br>THICKNESS | PACKAGE |
|---------|------|------|---------------------------|---------|
| FCC-40D | 54.0 | 16.0 | 2.0                       | 100     |



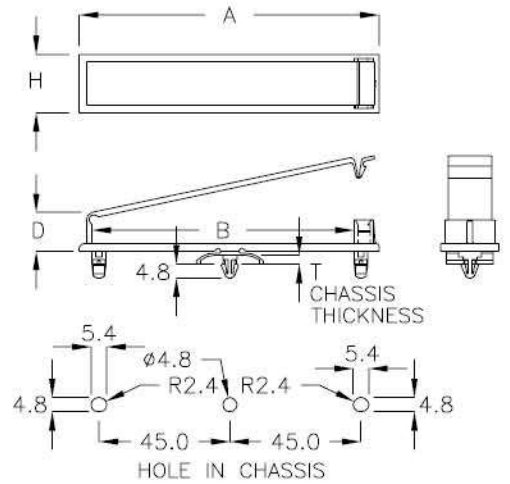
電線固定座 WIRE MOUNT

6-96-1

- MATERIAL: NYLON 66(UL)
- FLAME CLASS: 94V-2
- COLOR: NATURAL

WITH LOCK FEATURE

| PART NO | A     | B    | D    | H    | T<br>CHASSIS<br>THICKNESS | PACKAGE |
|---------|-------|------|------|------|---------------------------|---------|
| CXK-90A | 103.0 | 90.0 | 13.6 | 20.0 | 2.0~2.3                   | 100     |



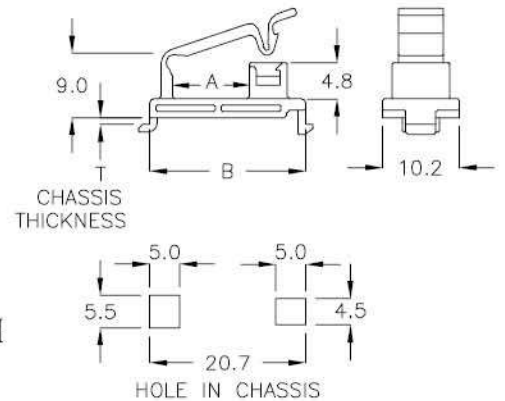
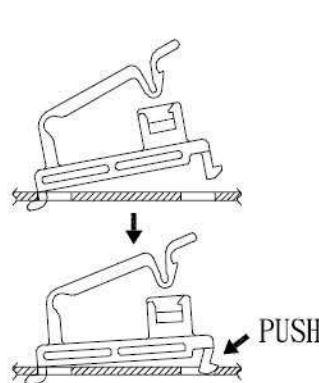
電線固定座 WIRE MOUNT

6-96-2

- MATERIAL: NYLON 66(UL)
- FLAME CLASS: 94V-2
- COLOR: NATURAL

WITH LOCK FEATURE

| PART NO | A    | B    | T<br>CHASSIS<br>THICKNESS | PACKAGE |
|---------|------|------|---------------------------|---------|
| FCZ-10C | 10.2 | 20.7 | 0.8                       | 200     |



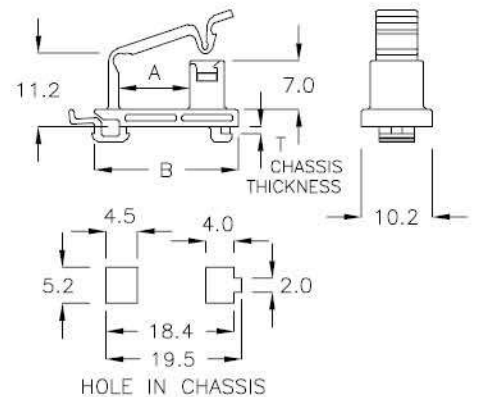
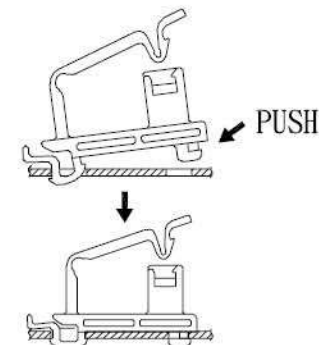
電線固定座 WIRE MOUNT

6-96-3

- MATERIAL: NYLON 66(UL)
- FLAME CLASS: 94V-2
- COLOR: BLACK

WITH LOCK FEATURE

| PART NO | A    | B    | T<br>CHASSIS<br>THICKNESS | PACKAGE |
|---------|------|------|---------------------------|---------|
| FCX-10A | 10.2 | 20.7 | 0.8                       | 200     |

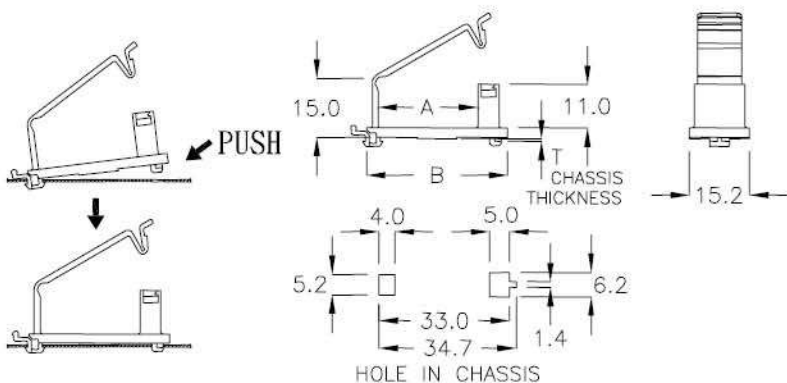




電線固定座 WIRE MOUNT 6-97-1

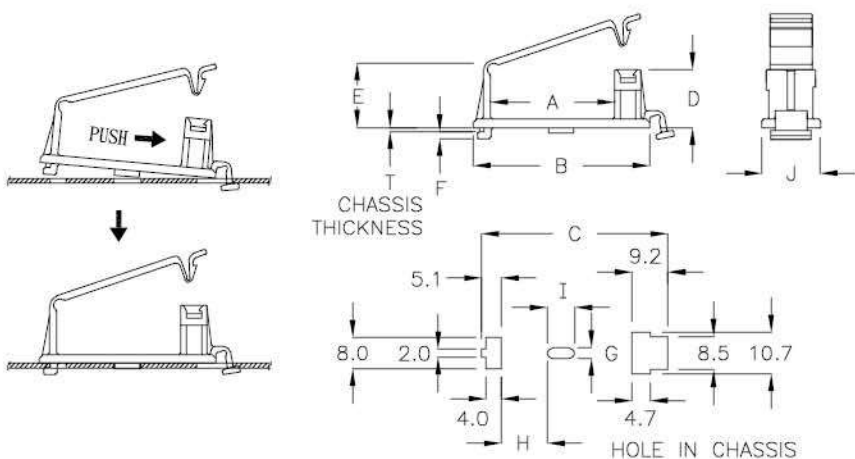
- MATERIAL: NYLON 66(UL)
- FLAME CLASS: 94V-2
- COLOR: BLACK

| PART NO  | A     | B     | T<br>CHASSIS<br>THICKNESS | PACKAGE |
|----------|-------|-------|---------------------------|---------|
| FCX-25GL | 25.25 | 35.65 | 0.6                       | 200     |



電線固定座 WIRE MOUNT 6-97-2

- MATERIAL: NYLON 66(UL)
- FLAME CLASS: 94V-2
- COLOR: BLACK



WITH LOCK FEATURE

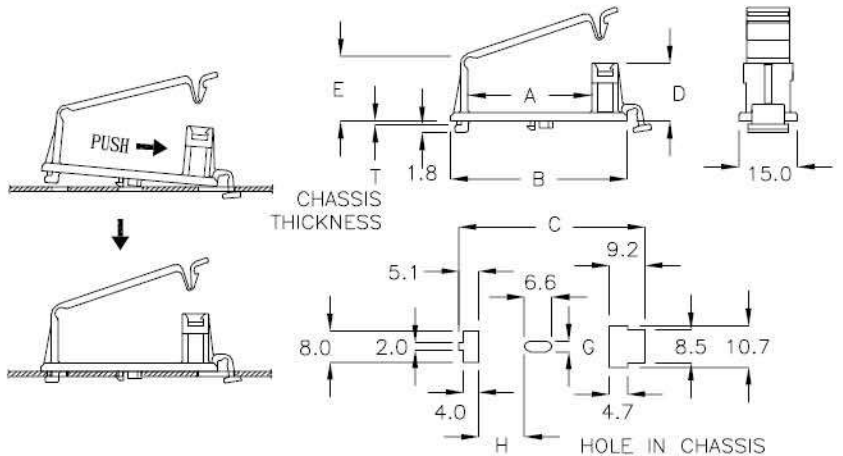
| PART NO  | A    | B    | C     | D     | E    | F   | G   | H    | I    | J    | T<br>CHASSIS<br>THICKNESS | PACKAGE |
|----------|------|------|-------|-------|------|-----|-----|------|------|------|---------------------------|---------|
| FCQ-19A  | 19.4 | 31.9 | 33.35 | 14.0  | 16.0 | 1.8 | 2.3 | 6.75 | 6.65 | 16.8 | 0.7~0.8                   | 200     |
| FCQ-27   | 27.0 | 40.5 | 43.3  | 14.75 | 17.0 | 1.8 | 2.3 | 11.7 | 6.65 | 15.0 | 0.7~0.8                   |         |
| FCQ-31HS | 31.3 | 44.8 | 47.8  | 14.75 | 17.0 | 1.0 | 2.6 | 12.8 | 6.65 | 15.0 | 0.7~0.8                   |         |
| FCQ-31GR | 31.6 | 45.0 | 47.8  | 14.75 | 16.6 | 1.0 | 2.6 | 12.8 | 6.6  | 15.0 | 1.2                       |         |



### 電線固定座 WIRE MOUNT

6-98-1

- MATERIAL: NYLON 66(UL)
- FLAME CLASS: 94V-2
- COLOR: BLACK



WITH LOCK FEATURE

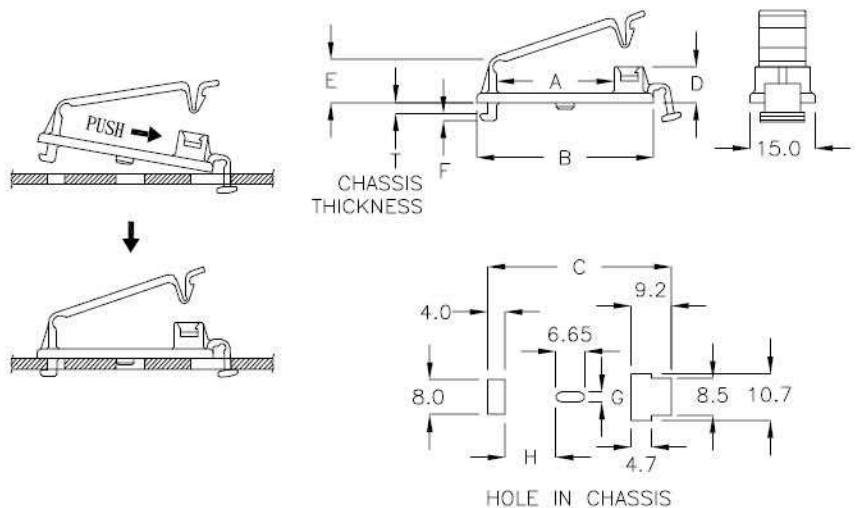
| PART NO | A    | B    | C    | D     | E    | G   | H    | T<br>CHASSIS<br>THICKNESS | PACKAGE |
|---------|------|------|------|-------|------|-----|------|---------------------------|---------|
| FCQ-31K | 31.3 | 44.8 | 47.8 | 14.75 | 17.0 | 2.6 | 12.8 | 0.8                       | 200     |



### 電線固定座 WIRE MOUNT

6-98-2

- MATERIAL: NYLON 66(UL)
- FLAME CLASS: 94V-2
- COLOR: BLACK

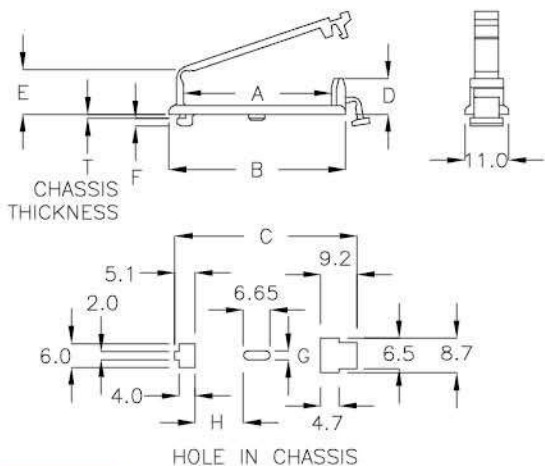
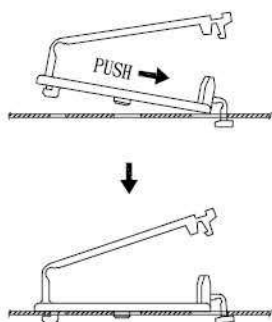


| PART NO  | A    | B    | C    | D   | E    | F   | G   | H    | T<br>CHASSIS<br>THICKNESS | PACKAGE |
|----------|------|------|------|-----|------|-----|-----|------|---------------------------|---------|
| FCQ-27LR | 27.0 | 40.5 | 42.2 | 8.2 | 10.0 | 1.5 | 2.3 | 11.7 | 2.4                       | 200     |

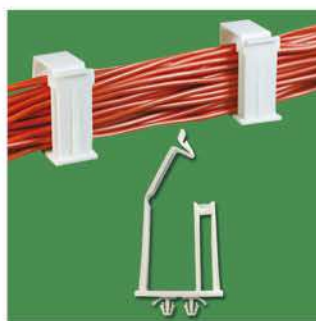


電線固定座 WIRE MOUNT | 6-99-1 |

- MATERIAL: NYLON 66(UL)
- FLAME CLASS: 94V-2
- COLOR: BLACK



| PART NO  | A    | B    | C     | D    | E    | F   | G   | H    | T<br>CHASSIS<br>THICKNESS | PACKAGE |
|----------|------|------|-------|------|------|-----|-----|------|---------------------------|---------|
| FCQ-35JK | 37.1 | 44.3 | 45.75 | 9.05 | 11.4 | 1.8 | 2.3 | 12.1 | 0.8                       | 100     |

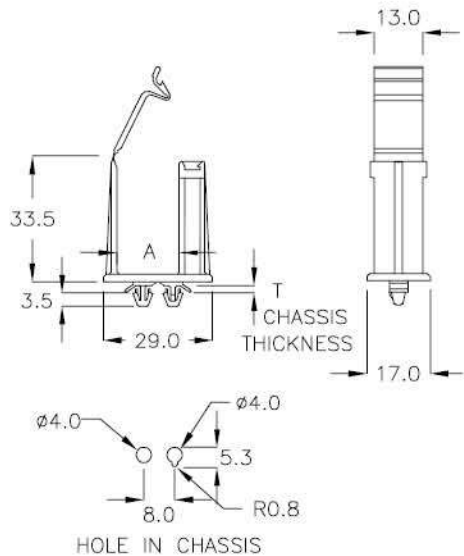


電線固定座 WIRE MOUNT | 6-99-2 |

- MATERIAL: NYLON 66(UL)
- FLAME CLASS: 94V-2
- COLOR: NATURAL

WITH LOCK FEATURE

| PART NO | A    | T<br>CHASSIS<br>THICKNESS | PACKAGE |
|---------|------|---------------------------|---------|
| CYB-16A | 16.7 | 0.8~1.2                   | 100     |

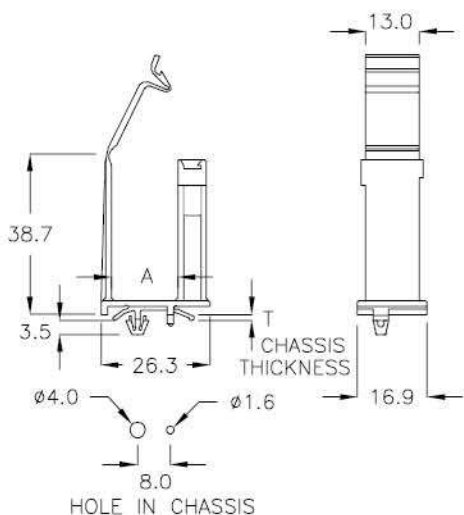


電線固定座 WIRE MOUNT | 6-99-3 |

- MATERIAL: NYLON 66(UL)
- FLAME CLASS: 94V-2
- COLOR: NATURAL, BLACK

WITH LOCK FEATURE

| PART NO | A    | T<br>CHASSIS<br>THICKNESS | PACKAGE |
|---------|------|---------------------------|---------|
| CYC-16F | 16.0 | 0.8~1.0                   | 100     |





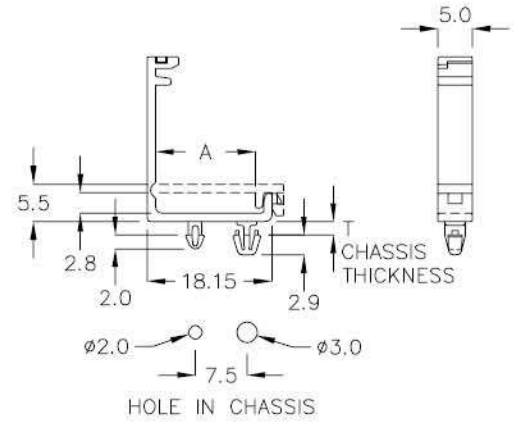
### 電線固定座 WIRE MOUNT

6-100-1

- MATERIAL: NYLON 66(UL)
- FLAME CLASS: 94V-2
- COLOR: NATURAL, BLACK

WITH LOCK FEATURE

| PART NO | A    | T<br>CHASSIS<br>THICKNESS | PACKAGE |
|---------|------|---------------------------|---------|
| CYQ-15A | 14.5 | 1.5                       | 500     |



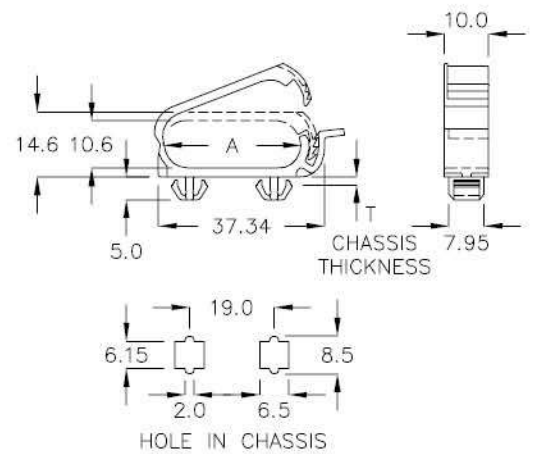
### 電線固定座 WIRE MOUNT

6-100-2

- MATERIAL: NYLON 66(UL)
- FLAME CLASS: 94V-2
- COLOR: BLACK

WITH LOCK FEATURE

| PART NO | A    | T<br>CHASSIS<br>THICKNESS | PACKAGE |
|---------|------|---------------------------|---------|
| FQM-37A | 30.3 | 0.8~1.2                   | 500     |

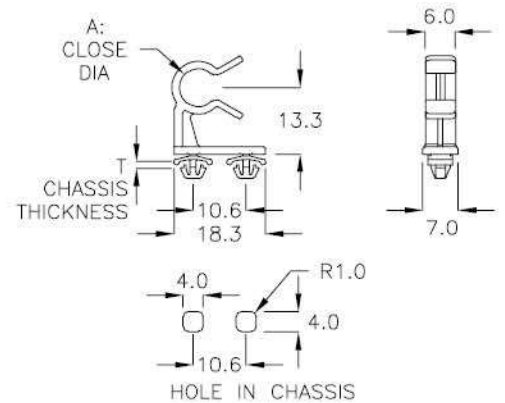


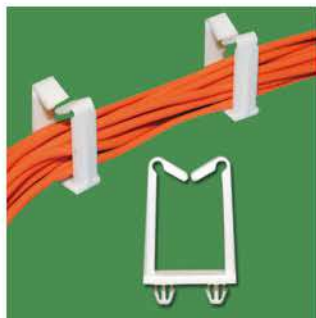
### 隔離束線座 WIRE SADDLE

6-100-3

- MATERIAL: NYLON 66(UL)
- FLAME CLASS: 94V-2
- COLOR: BLACK

| PART NO | A<br>CLOSE<br>DIA | T<br>CHASSIS<br>THICKNESS | PACKAGE |
|---------|-------------------|---------------------------|---------|
| CMW-08  | φ7.7              | 0.8                       | 500     |

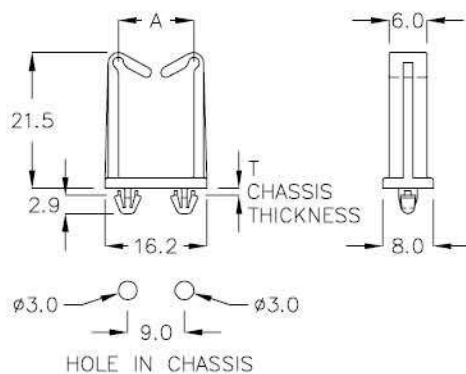




### 電線固定座 WIRE MOUNT

6-101-1

- MATERIAL: NYLON 66(UL)
- FLAME CLASS: 94V-2
- COLOR: NATURAL



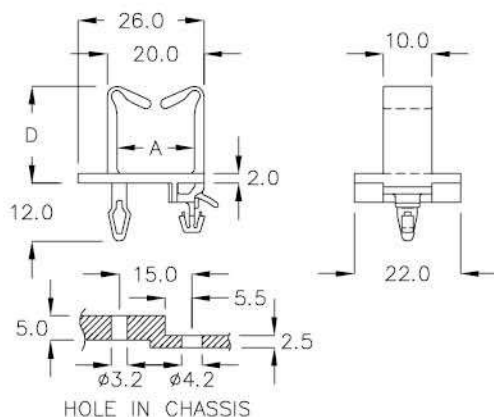
| PART NO | A    | T<br>CHASSIS<br>THICKNESS | PACKAGE |
|---------|------|---------------------------|---------|
| CYL-12M | 12.0 | 1.0                       | 500     |



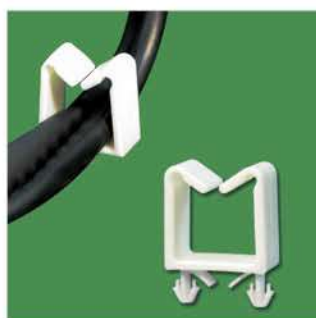
### 隔離束線座 WIRE SADDLE

6-101-2

- MATERIAL: PP
- COLOR: BLACK



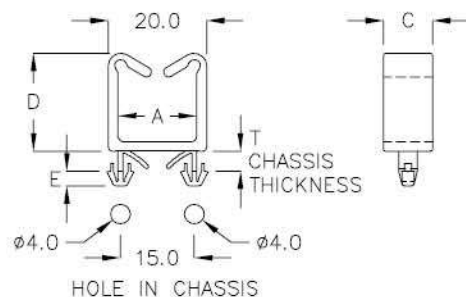
| PART NO | A    | D    | PACKAGE |
|---------|------|------|---------|
| CRN-16  | 16.0 | 20.0 | 200     |



### 隔離束線座 WIRE SADDLE

6-101-3

- MATERIAL: NYLON 66(UL)
- FLAME CLASS: 94V-2
- COLOR: NATURAL, BLACK



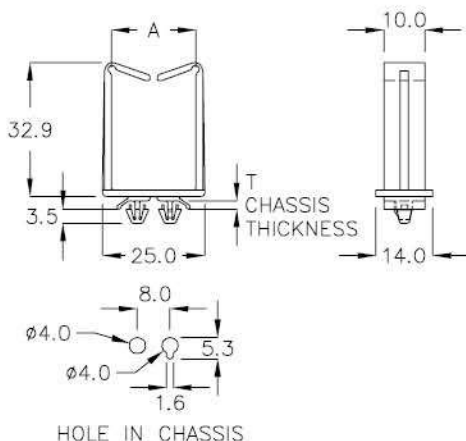
| PART NO  | A    | C    | D    | E   | T<br>CHASSIS<br>THICKNESS | PACKAGE |
|----------|------|------|------|-----|---------------------------|---------|
| CRC-16K  | 16.0 | 10.0 | 20.0 | 3.0 | 0.8~2.3                   | 200     |
| CRC-16PS | 16.0 | 10.0 | 24.0 | 2.4 | 1.0~2.3                   |         |
| CRC-16F  | 16.4 | 10.4 | 24.5 | 2.1 | 1.0~2.3                   |         |



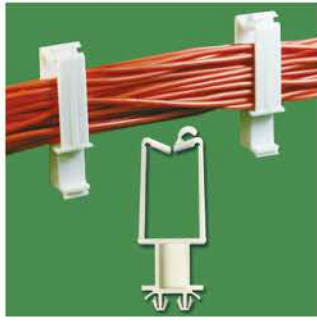
### 電線固定座 WIRE MOUNT

6-101-4

- MATERIAL: NYLON 66(UL)
- FLAME CLASS: 94V-2
- COLOR: NATURAL



| PART NO | A    | T<br>CHASSIS<br>THICKNESS | PACKAGE |
|---------|------|---------------------------|---------|
| CYD-20A | 20.8 | 0.8~1.2                   | 100     |

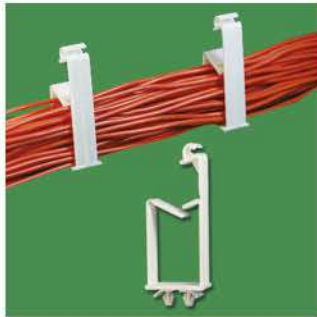
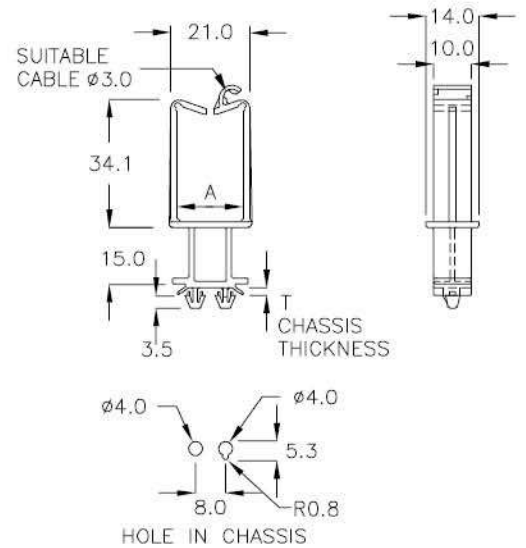


### 隔離束線座 WIRE SADDLE

6-102-1

- MATERIAL: NYLON 66(UL)
- FLAME CLASS: 94V-2
- COLOR: NATURAL

| PART NO | A    | T<br>CHASSIS<br>THICKNESS | PACKAGE |
|---------|------|---------------------------|---------|
| CYM-17A | 17.8 | 0.8~1.2                   | 100     |

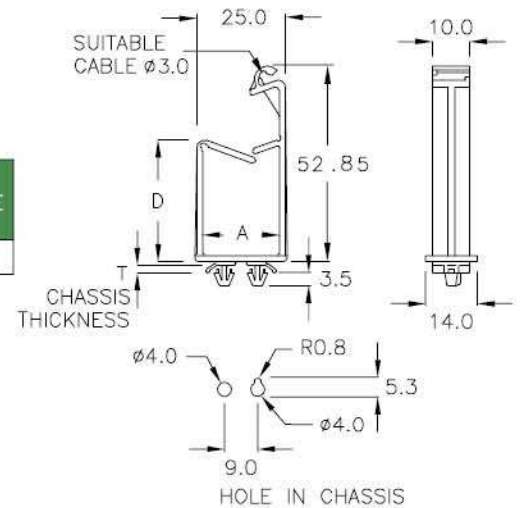


### 電線固定座 WIRE MOUNT

6-102-2

- MATERIAL: NYLON 66(UL)
- FLAME CLASS: 94V-2
- COLOR: NATURAL

| PART NO | A    | D    | T<br>CHASSIS<br>THICKNESS | PACKAGE |
|---------|------|------|---------------------------|---------|
| CYR-20K | 20.8 | 32.8 | 0.8~1.2                   | 100     |

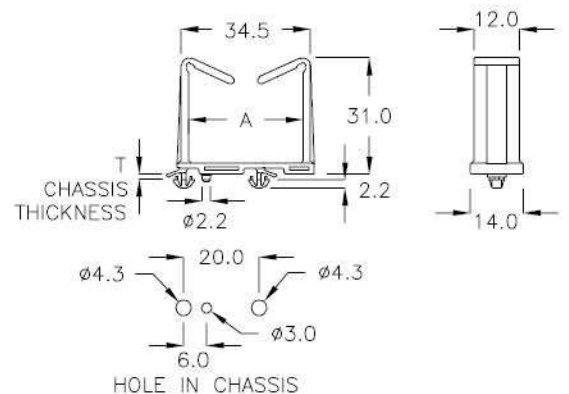


### 隔離束線座 WIRE SADDLE

6-102-3

- MATERIAL: NYLON 66(UL)
- FLAME CLASS: 94V-2
- COLOR: BLACK

| PART NO  | A    | T<br>CHASSIS<br>THICKNESS | PACKAGE |
|----------|------|---------------------------|---------|
| CYP-30MC | 30.5 | 0.8~1.2                   | 200     |



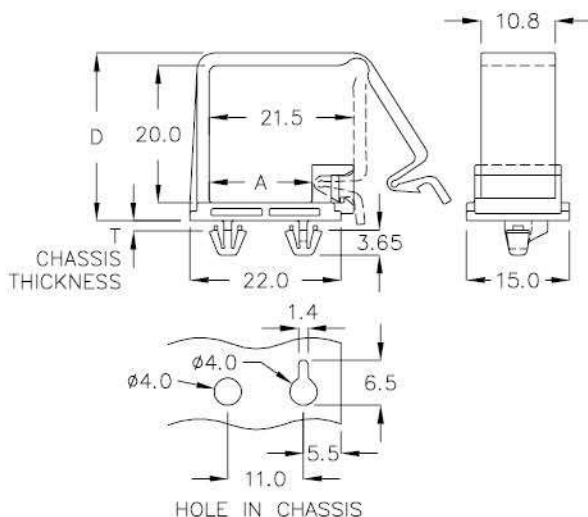




隔離束線座 WIRE SADDLE

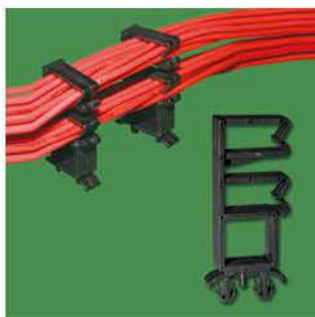
6-103-1

- MATERIAL: NYLON 66(UL)
- FLAME CLASS: 94V-2
- COLOR: BLACK



WITH LOCK FEATURE

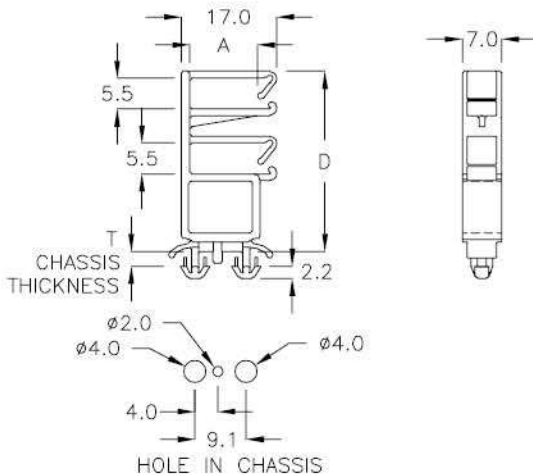
| PART NO   | A    | D    | T<br>CHASSIS<br>THICKNESS | PACKAGE |
|-----------|------|------|---------------------------|---------|
| CKKS-20KY | 15.0 | 24.4 | 1.2                       | 500     |



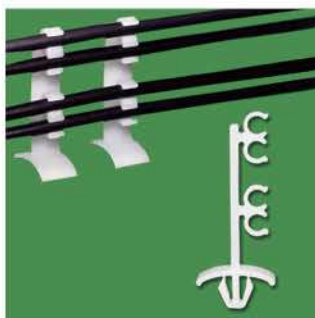
隔離束線座 WIRE SADDLE

6-103-2

- MATERIAL: NYLON 66(UL)
- FLAME CLASS: 94V-2
- COLOR: BLACK



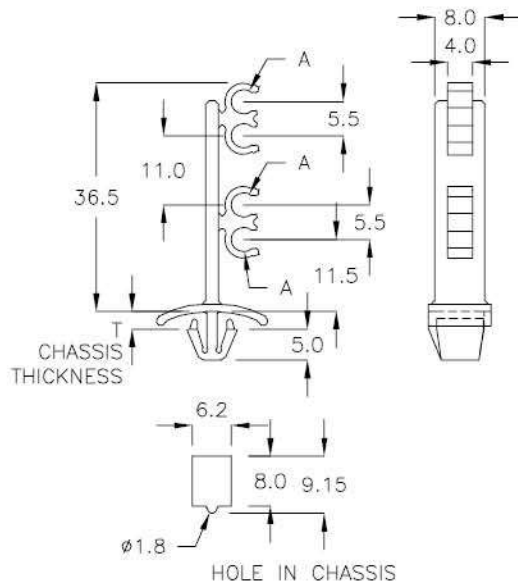
| PART NO | A    | D     | T<br>CHASSIS<br>THICKNESS | PACKAGE |
|---------|------|-------|---------------------------|---------|
| FYH-5K  | 12.0 | 31.95 | 1.6~2.4                   | 100     |



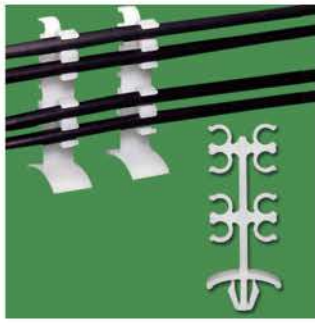
隔離束線座 WIRE SADDLE

6-103-3

- MATERIAL: POM
- COLOR: NATURAL



| PART NO | A    | T<br>CHASSIS<br>THICKNESS | PACKAGE |
|---------|------|---------------------------|---------|
| CTK-44Q | ø4.0 | 1.0~2.0                   | 200     |

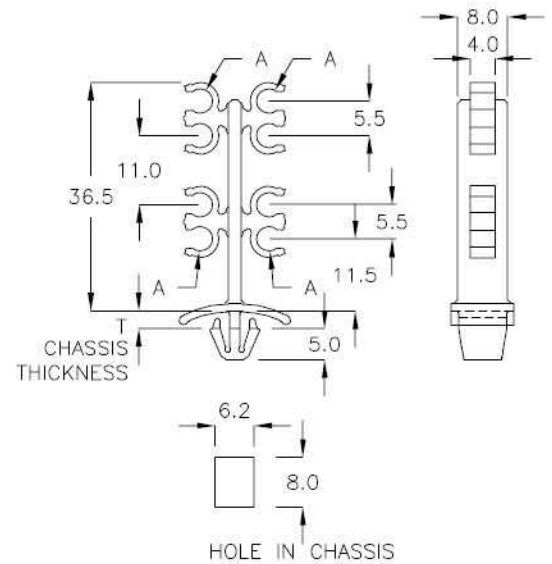


### 隔離束線座 WIRE SADDLE

6-104-1

- MATERIAL: POM
- COLOR: NATURAL

| PART NO | A    | T<br>CHASSIS<br>THICKNESS | PACKAGE |
|---------|------|---------------------------|---------|
| CTM-44P | φ4.0 | 1.0~2.0                   | 200     |



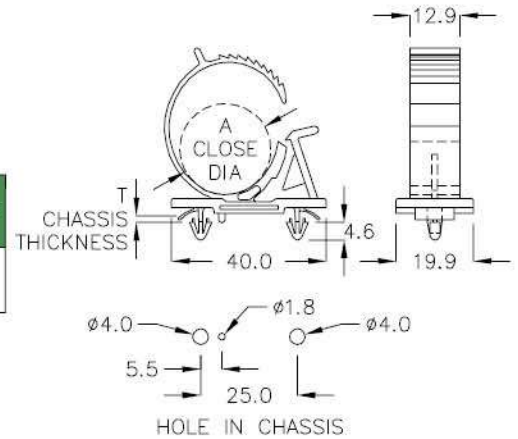
### 電線固定座 WIRE MOUNT

6-104-2

- MATERIAL: NYLON 66(UL)
- FLAME CLASS: 94V-2
- COLOR: NATURAL

WITH LOCK FEATURE

| PART NO | A<br>CLOSE<br>DIA | T<br>CHASSIS<br>THICKNESS | PACKAGE |
|---------|-------------------|---------------------------|---------|
| FWW-40  | φ22.5~φ26.5       | 0.8~2.0                   | 100     |
| FWW-40C | φ22.5~φ26.5       | 0.8                       |         |



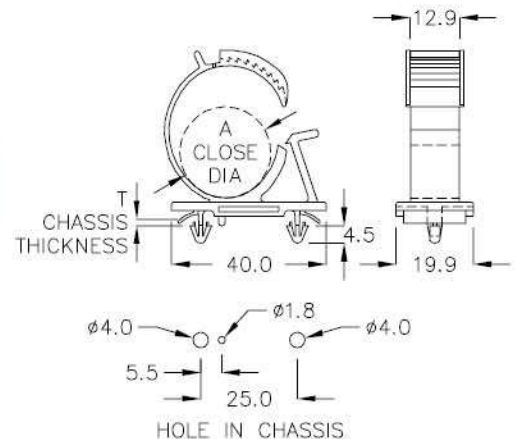
### 電線固定座 WIRE MOUNT

6-104-3

- MATERIAL: NYLON 66(UL)
- FLAME CLASS: 94V-2
- COLOR: NATURAL

WITH LOCK FEATURE

| PART NO | A<br>CLOSE<br>DIA | T<br>CHASSIS<br>THICKNESS | PACKAGE |
|---------|-------------------|---------------------------|---------|
| FWQ-40  | φ22.5~φ26.5       | 0.8~2.0                   | 100     |

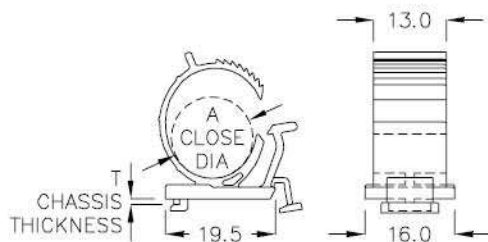
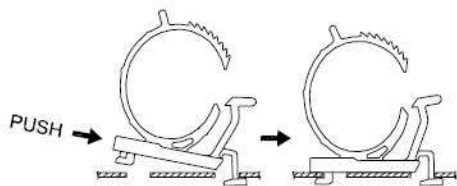




### 電線固定座 WIRE MOUNT

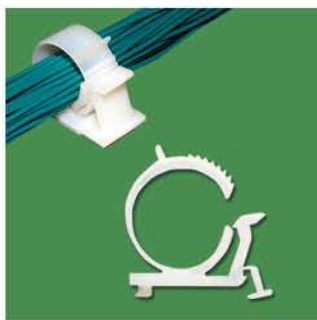
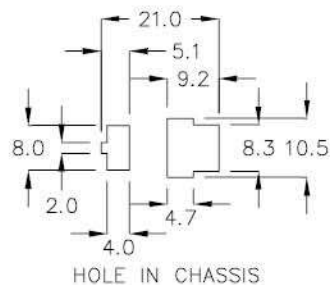
6-105-1

- MATERIAL: NYLON 66(UL)
- FLAME CLASS: 94V-2
- COLOR: NATURAL



WITH LOCK FEATURE

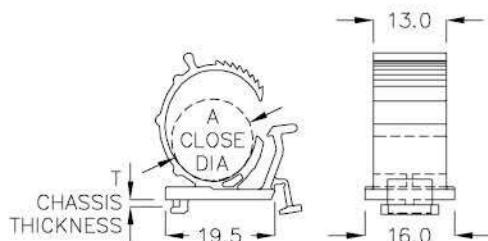
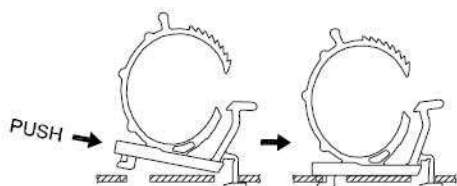
| PART NO | A CLOSE DIA | T CHASSIS THICKNESS | PACKAGE |
|---------|-------------|---------------------|---------|
| FW-24   | ø13.0~ø14.5 | 0.8                 | 200     |



### 電線固定座 WIRE MOUNT

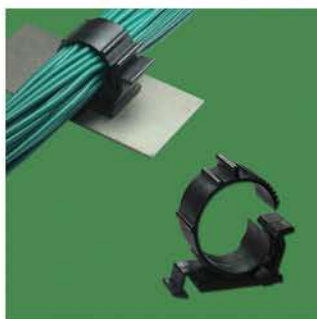
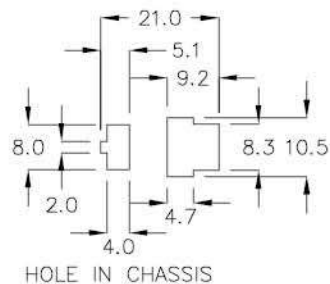
6-105-2

- MATERIAL: NYLON 66(UL)
- FLAME CLASS: 94V-2
- COLOR: NATURAL



WITH LOCK FEATURE

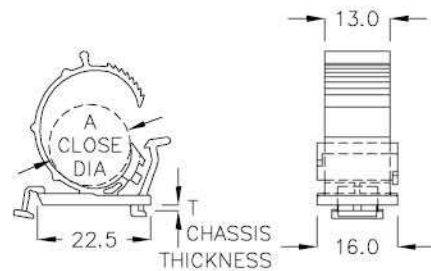
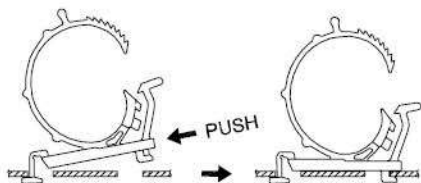
| PART NO | A CLOSE DIA | T CHASSIS THICKNESS | PACKAGE |
|---------|-------------|---------------------|---------|
| FW-24CM | ø12.5~ø15.0 | 1.0                 | 200     |



### 電線固定座 WIRE MOUNT

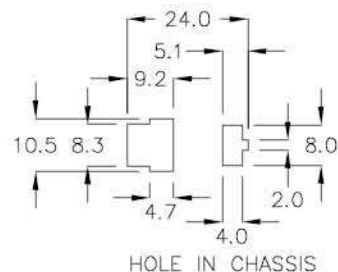
6-105-3

- MATERIAL: NYLON 66(UL)
- FLAME CLASS: 94V-2
- COLOR: BLACK



WITH LOCK FEATURE

| PART NO | A CLOSE DIA | T CHASSIS THICKNESS | PACKAGE |
|---------|-------------|---------------------|---------|
| FDH-14J | ø14.5~ø17.0 | 1.0                 | 100     |

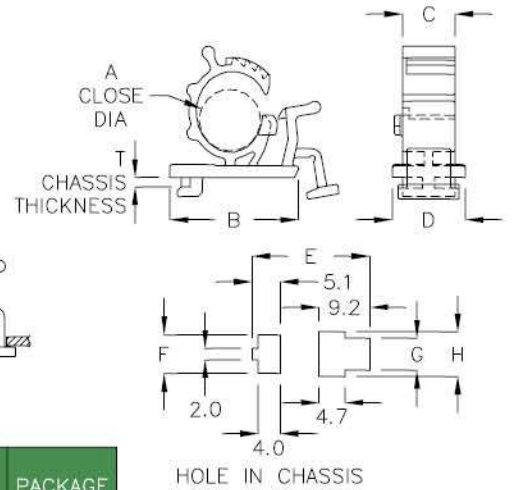
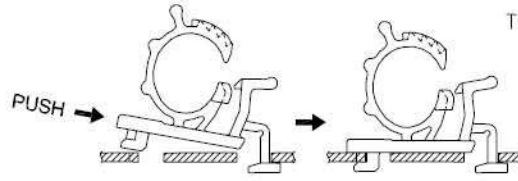




### 電線固定座 WIRE MOUNT

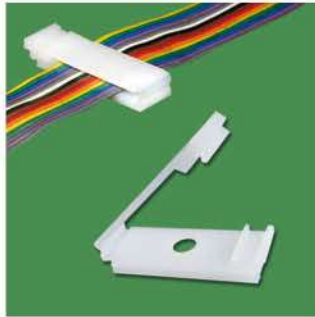
6-106-1

- MATERIAL: NYLON 66(UL)
- FLAME CLASS: 94V-2
- COLOR: BLACK



WITH LOCK FEATURE

| PART NO | A<br>CLOSE<br>DIA | B     | C    | D    | E    | F   | G   | H    | T<br>CHASSIS<br>THICKNESS | PACKAGE |
|---------|-------------------|-------|------|------|------|-----|-----|------|---------------------------|---------|
| FWR-6A  | φ6.0~φ7.0         | 15.85 | 6.5  | 9.0  | 17.7 | 7.0 | 5.8 | 8.0  | 0.9~1.1                   | 500     |
| FWR-7M  | φ7.5~φ8.5         | 16.0  | 6.5  | 9.0  | 17.7 | 7.0 | 5.8 | 8.0  | 0.9~1.1                   |         |
| FWR-9C  | φ8.5~φ10.0        | 18.8  | 13.0 | 16.0 | 21.0 | 8.0 | 8.3 | 10.5 | 0.9~1.0                   |         |



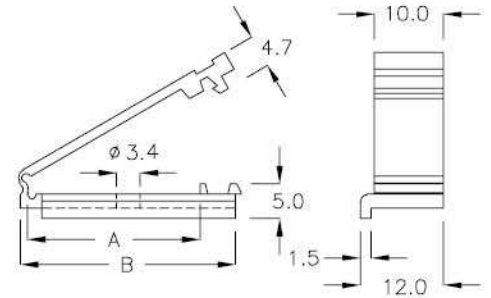
### 排線固定板 FLAT CABLE CLAMP

6-106-2

- MATERIAL: NYLON 66(UL)
- FLAME CLASS: 94V-2
- COLOR: NATURAL

WITH LOCK FEATURE

| PART NO | A    | B    | PACKAGE |
|---------|------|------|---------|
| FCM-25J | 24.8 | 31.0 | 200     |



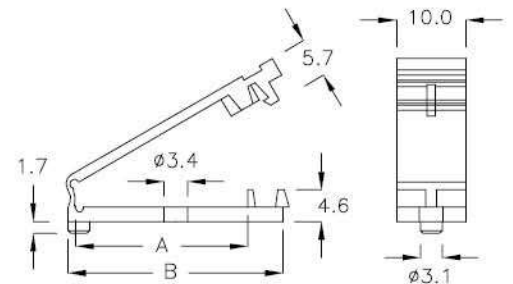
### 排線固定板 FLAT CABLE CLAMP

6-106-3

- MATERIAL: NYLON 66(UL)
- FLAME CLASS: 94V-2
- COLOR: NATURAL

WITH LOCK FEATURE

| PART NO | A    | B    | PACKAGE |
|---------|------|------|---------|
| FCM-26  | 24.8 | 31.0 | 200     |



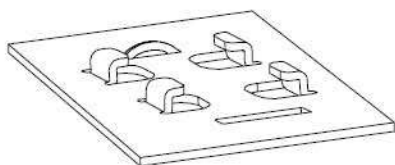


### 排線固定板 FLAT CABLE CLAMP ———— 6-107-1 |

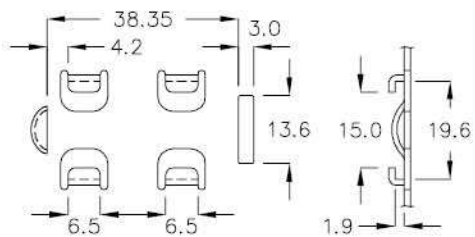
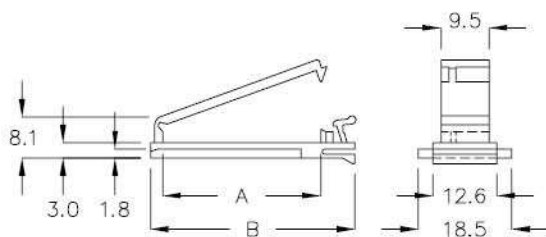
- MATERIAL: NYLON 66(UL)
- FLAME CLASS: 94V-2
- COLOR: NATURAL

WITH LOCK FEATURE

| PART NO | A    | B    | PACKAGE |
|---------|------|------|---------|
| LFD-25  | 31.2 | 40.5 | 200     |



HOLE IN CHASSIS (REF.)



HOLE IN CHASSIS

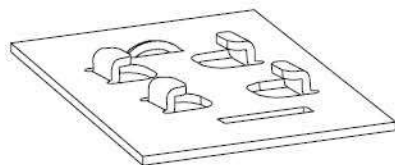


### 排線固定板 FLAT CABLE CLAMP ———— 6-107-2 |

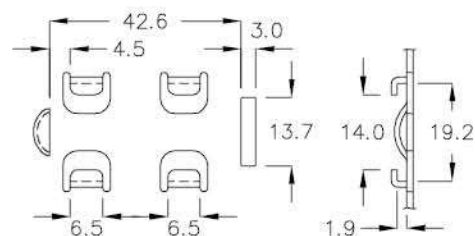
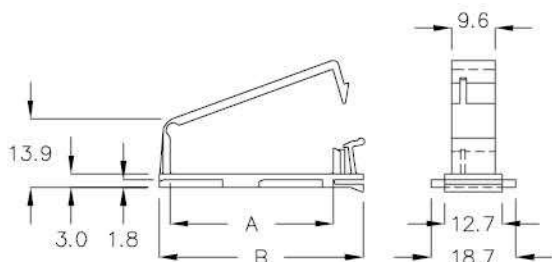
- MATERIAL: NYLON 66(UL)
- FLAME CLASS: 94V-2
- COLOR: NATURAL

WITH LOCK FEATURE

| PART NO | A    | B    | PACKAGE |
|---------|------|------|---------|
| LFN-36C | 36.0 | 45.0 | 100     |



HOLE IN CHASSIS (REF.)



HOLE IN CHASSIS

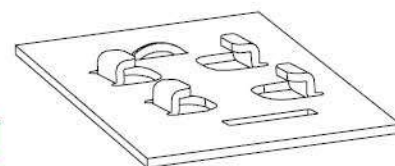


### 排線固定板 FLAT CABLE CLAMP ———— 6-107-3 |

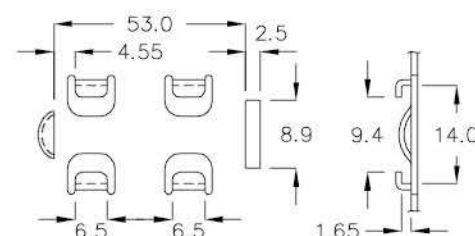
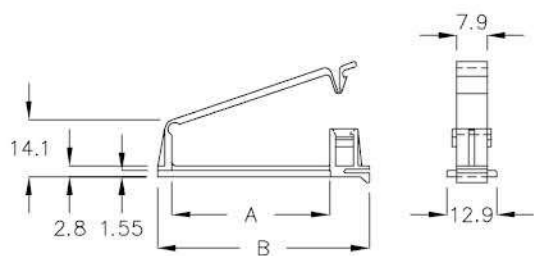
- MATERIAL: NYLON 66(UL)
- FLAME CLASS: 94V-2
- COLOR: NATURAL

WITH LOCK FEATURE

| PART NO | A     | B     | PACKAGE |
|---------|-------|-------|---------|
| LFN-40K | 40.75 | 54.65 | 100     |



HOLE IN CHASSIS (REF.)



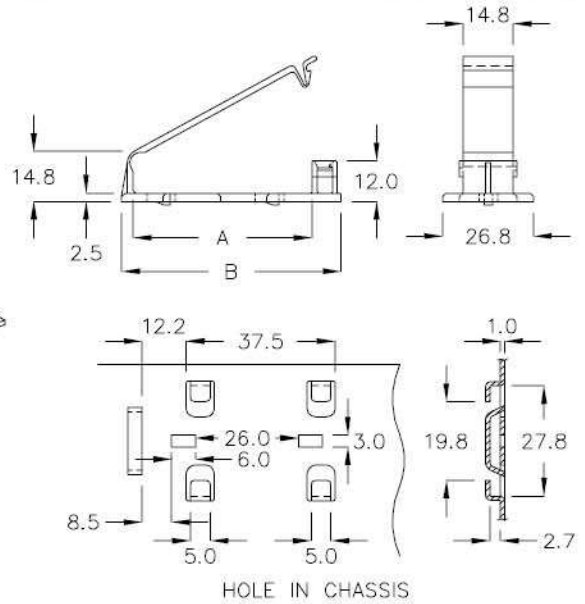
HOLE IN CHASSIS



### 排線固定板 FLAT CABLE CLAMP

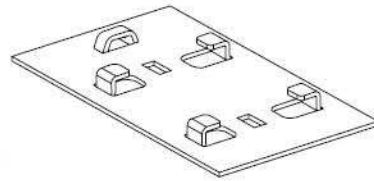
6-108-1

- MATERIAL: NYLON 66(UL)
- FLAME CLASS: 94V-2
- COLOR: BLACK



WITH LOCK FEATURE

| PART NO | A    | B    | PACKAGE |
|---------|------|------|---------|
| LFZ-52K | 52.6 | 64.5 | 100     |



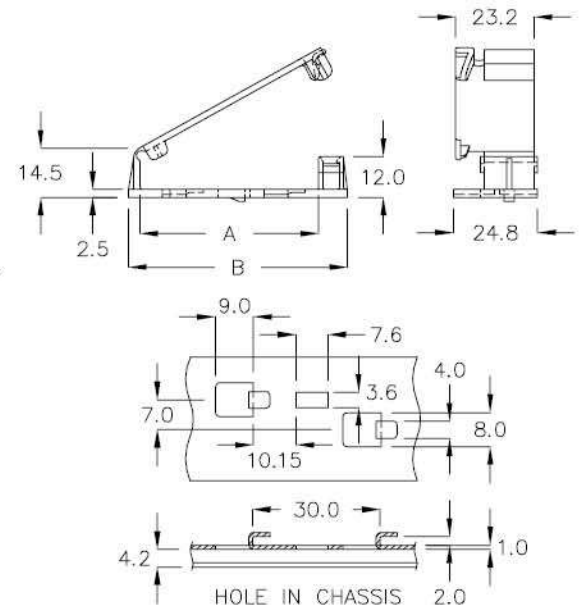
HOLE IN CHASSIS (REF.)



### 排線固定板 FLAT CABLE CLAMP

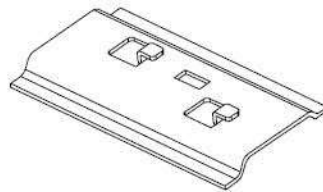
6-108-2

- MATERIAL: NYLON 66(UL)
- FLAME CLASS: 94V-2
- COLOR: BLACK



WITH LOCK FEATURE

| PART NO  | A    | B    | PACKAGE |
|----------|------|------|---------|
| LFZN-52A | 52.6 | 64.5 | 100     |



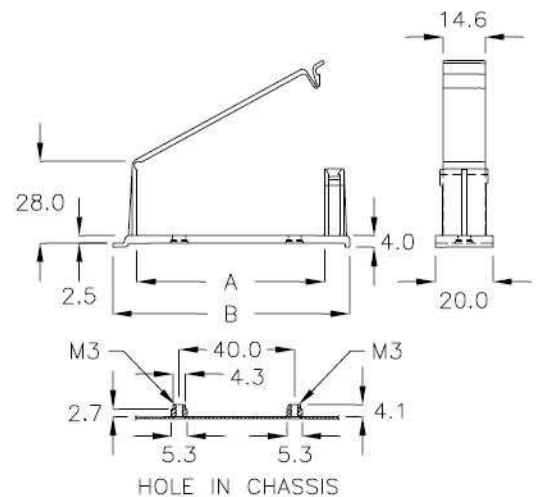
HOLE IN CHASSIS (REF.)



### 電線固定板 CABLE CLAMP

6-108-3

- MATERIAL: NYLON 66(UL)
- FLAME CLASS: 94V-0
- COLOR: BLACK



WITH LOCK FEATURE

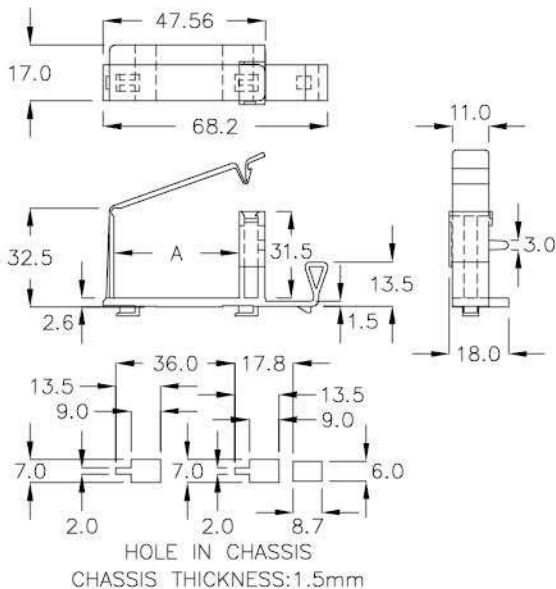
| PART NO   | A    | B    | PACKAGE |
|-----------|------|------|---------|
| FCWA-65KC | 65.1 | 82.1 | 100     |

HOLE IN CHASSIS



電線固定板 CABLE CLAMP ————— | 6-109-1 |

- MATERIAL: NYLON 66(UL)
- FLAME CLASS: 94V-2
- COLOR: BLACK



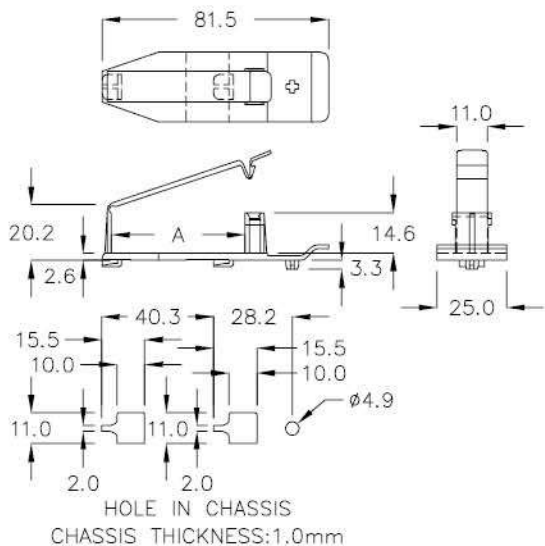
WITH LOCK FEATURE

| PART NO  | A    | PACKAGE |
|----------|------|---------|
| FCAT-38D | 38.0 | 100     |



電線固定板 CABLE CLAMP ————— | 6-109-2 |

- MATERIAL: NYLON 66(UL)
- FLAME CLASS: 94V-2
- COLOR: BLACK



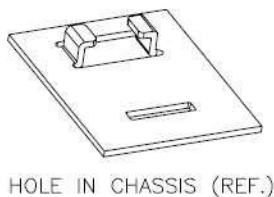
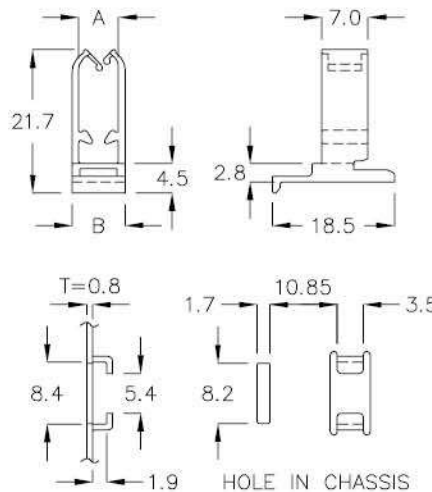
WITH LOCK FEATURE

| PART NO | A    | PACKAGE |
|---------|------|---------|
| FCA-48C | 48.0 | 100     |



隔離束線座 WIRE SADDLE ————— | 6-109-3 |

- MATERIAL: NYLON 66(UL)
- FLAME CLASS: 94V-2
- COLOR: BLACK



| PART NO | A   | B   | PACKAGE |
|---------|-----|-----|---------|
| CYJ-6A  | 6.0 | 8.0 | 500     |

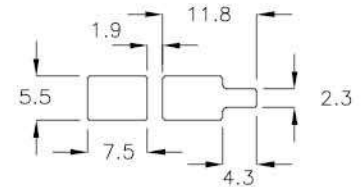
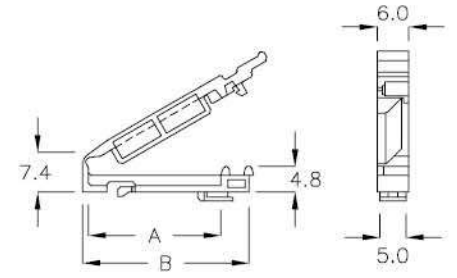
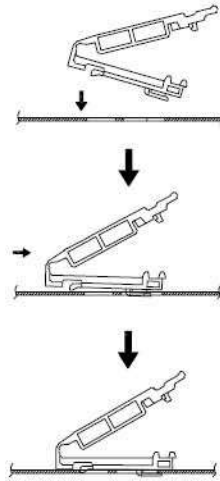


排線固定板 **FLAT CABLE CLAMP** ———— | 6-110-1 |

- MATERIAL: NYLON 66(UL)
- FLAME CLASS: 94V-2
- COLOR: NATURAL, BLACK

WITH LOCK FEATURE

| PART NO | A    | B    | PACKAGE |
|---------|------|------|---------|
| FCK-31M | 24.9 | 31.3 | 500     |



HOLE IN CHASSIS  
CHASSIS THICKNESS : 0.8mm

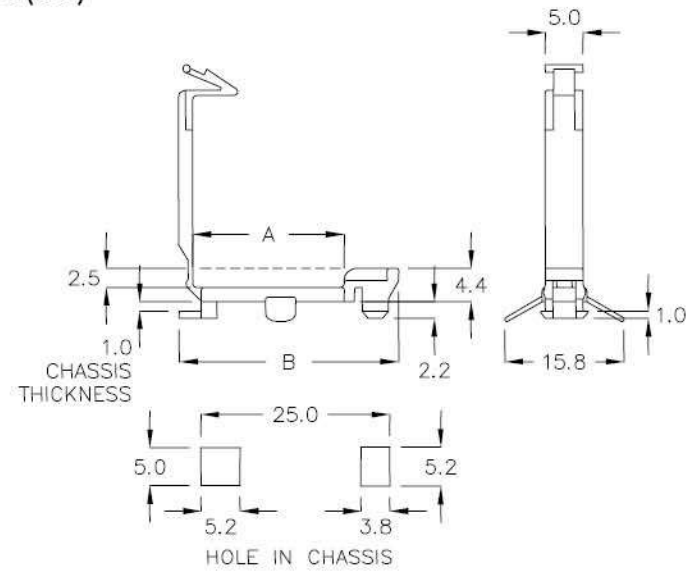


排線固定座 **FLAT CABLE CLIP** ———— | 6-110-2 |

- MATERIAL: NYLON 66(UL)
- FLAME CLASS: 94V-0
- COLOR: NATURAL

WITH LOCK FEATURE

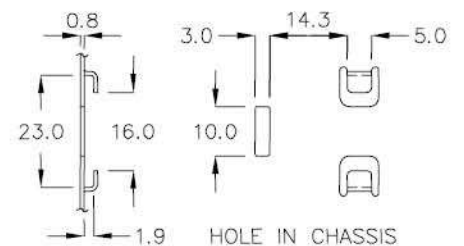
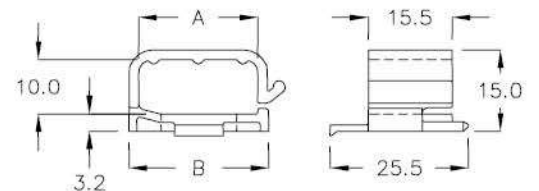
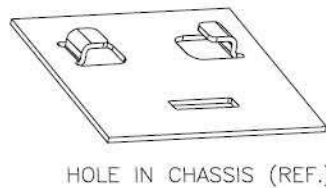
| PART NO | A    | B    | PACKAGE |
|---------|------|------|---------|
| CUD-20  | 20.0 | 29.0 | 200     |



電線固定座 **WIRE MOUNT** ———— | 6-110-3 |

- MATERIAL: NYLON 66(UL)
- FLAME CLASS: 94V-2
- COLOR: BLACK

| PART NO | A    | B    | PACKAGE |
|---------|------|------|---------|
| FYC-22H | 22.0 | 25.8 | 200     |





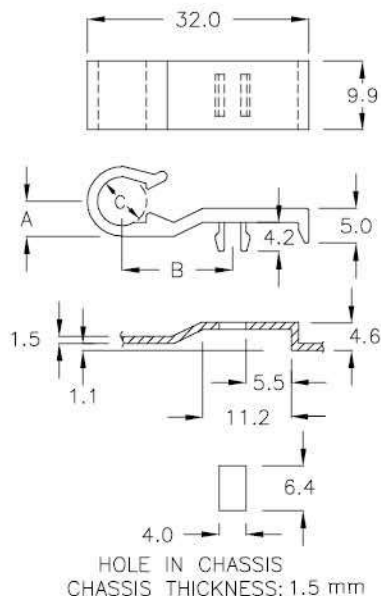


### 電線固定座 WIRE MOUNT

6-111-1

- MATERIAL: NYLON 66(UL)
- FLAME CLASS: 94V-0
- COLOR: NATURAL

| PART NO | A   | B    | C    | PACKAGE |
|---------|-----|------|------|---------|
| CU-07C  | 5.0 | 16.0 | ∅6.9 | 500     |

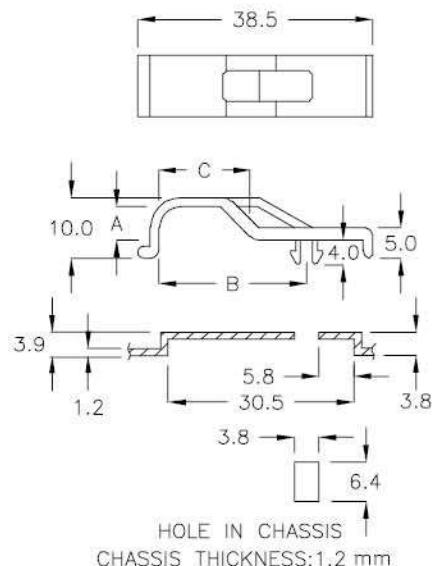


### 壓線座 WIRE MOUNT

6-111-2

- MATERIAL: NYLON 66(UL)
- FLAME CLASS: 94V-0
- COLOR: NATURAL

| PART NO | A   | B    | C    | PACKAGE |
|---------|-----|------|------|---------|
| CU-07F  | 5.5 | 24.2 | 15.0 | 500     |

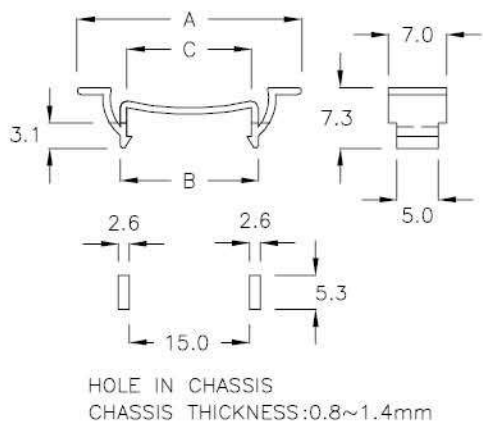


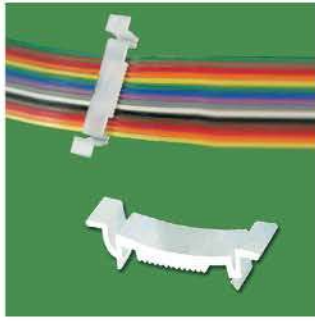
### 排線固定夾 FLAT CABLE CLAMP

6-111-3

- MATERIAL: NYLON 66(UL)
- FLAME CLASS: 94V-2
- COLOR: NATURAL

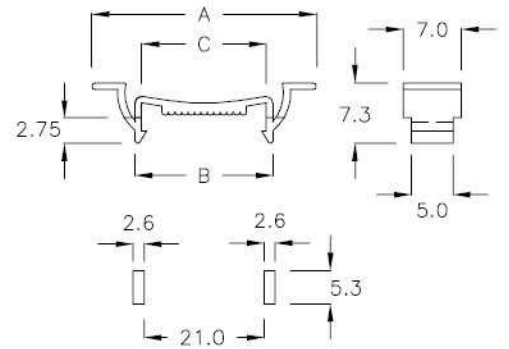
| PART NO | A    | B    | C    | PACKAGE |
|---------|------|------|------|---------|
| FBC-15  | 27.0 | 16.6 | 15.0 | 500     |





排線固定夾 FLAT CABLE CLAMP **6-112-1**

- MATERIAL: NYLON 66(UL)
- FLAME CLASS: 94V-2
- COLOR: NATURAL



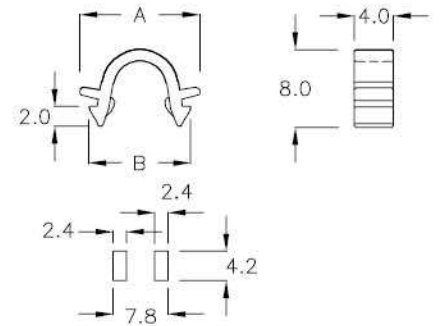
HOLE IN CHASSIS  
CHASSIS THICKNESS: 1.2mm

| PART NO | A    | B    | C    | PACKAGE |
|---------|------|------|------|---------|
| FBC-21  | 33.0 | 22.6 | 21.0 | 500     |



電線固定扣 WIRE CLIP **6-112-2**

- MATERIAL: NYLON 66(UL)
- FLAME CLASS: 94V-2
- COLOR: BLACK



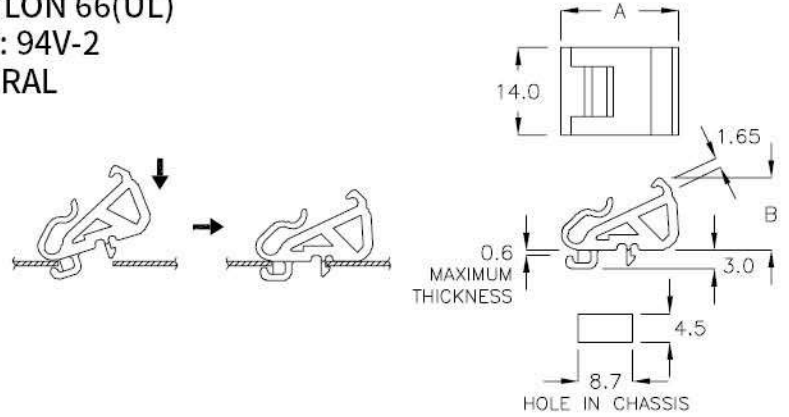
HOLE IN CHASSIS  
CHASSIS THICKNESS: 0.6mm

| PART NO | A     | B     | PACKAGE |
|---------|-------|-------|---------|
| FBM-10A | 12.35 | 10.45 | 2000    |



電線固定座 CABLE CLAMP **6-112-3**

- MATERIAL: NYLON 66(UL)
- FLAME CLASS: 94V-2
- COLOR: NATURAL

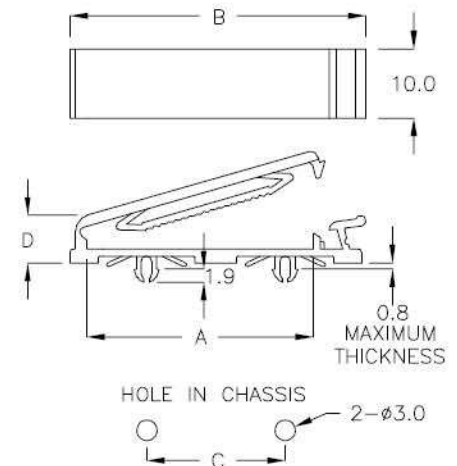


| PART NO | A    | B     | PACKAGE |
|---------|------|-------|---------|
| FDP-19  | 18.8 | 11.55 | 500     |



排線固定板 FLAT CABLE CLAMP **6-112-4**

- MATERIAL: NYLON 66(UL)
- FLAME CLASS: 94V-2
- COLOR: NATURAL



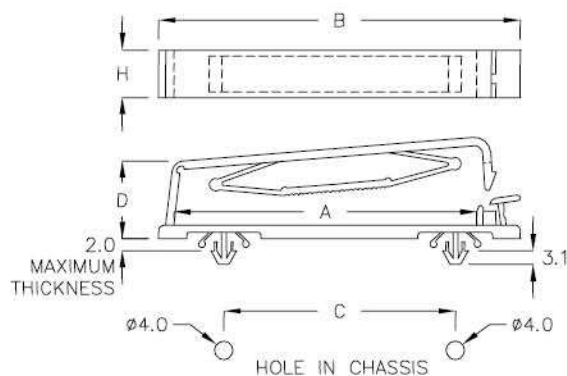
WITH LOCK FEATURE

| PART NO | A    | B    | C    | D   | PACKAGE |
|---------|------|------|------|-----|---------|
| FCJ-25K | 32.7 | 42.7 | 20.0 | 6.9 | 100     |



## 排線固定夾 FLAT CABLE CLAMP 6-113-1

- MATERIAL: NYLON 66(UL)
- FLAME CLASS: 94V-2
- COLOR: NATURAL



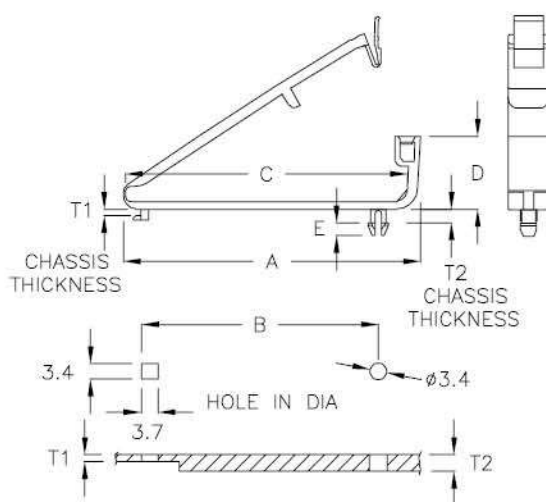
WITH LOCK FEATURE

| PART NO | A    | B    | C    | D    | H    | SUITABLE CABLE | PACKAGE |
|---------|------|------|------|------|------|----------------|---------|
| FCC-15A | 14.4 | 32.6 | 15.0 | 13.7 | 9.1  | 10 PIN         | 200     |
| FCC-25A | 25.0 | 39.6 | 20.0 | 13.0 | 13.3 | 20 PIN         |         |
| FCC-30A | 39.6 | 55.0 | 35.0 | 13.0 | 12.5 | 30 PIN         | 100     |
| FCC-40B | 53.5 | 67.0 | 40.0 | 16.2 | 10.1 | 40 PIN         |         |
| FCC-50A | 64.6 | 77.6 | 49.7 | 13.6 | 10.1 | 50 PIN         |         |
| FCC-50C | 64.3 | 77.0 | 49.7 | 12.8 | 10.0 | 50 PIN         |         |



## 排線固定板 FLAT CABLE CLAMP 6-113-2

- MATERIAL: NYLON 66(UL)
- FLAME CLASS: 94V-2
- COLOR: BLACK
- ASSEMBLY:  
1.INSERT ASLOPE  
2.DEPRESS THE CLAMP



WITH LOCK FEATURE

| PART NO | A    | B    | C    | D    | E   | T1  | T2  | PACKAGE |
|---------|------|------|------|------|-----|-----|-----|---------|
| FCG-60A | 58.2 | 46.7 | 55.3 | 14.6 | 2.5 | 1.0 | 2.4 | 100     |
| FCG-60C | 58.2 | 46.7 | 55.3 | 11.9 | 1.8 | 1.0 | 1.0 |         |

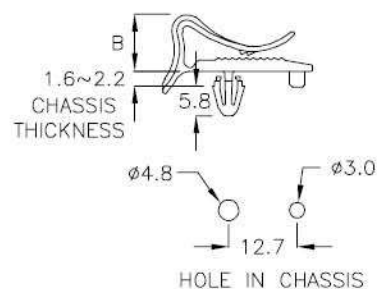
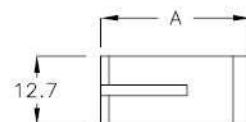


### 排線固定板 FLAT CABLE CLAMP 6-114-1

- MATERIAL: NYLON 66(UL)
- FLAME CLASS: 94V-2
- COLOR: NATURAL

WITH LOCK FEATURE

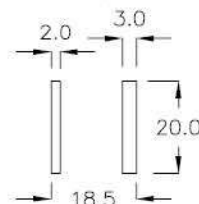
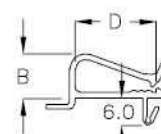
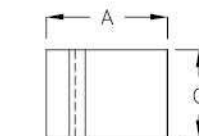
| PART NO | A    | B    | PACKAGE |
|---------|------|------|---------|
| FC-27N  | 27.8 | 10.5 | 500     |



### 排線固定板 FLAT CABLE CLAMP 6-114-2

- MATERIAL: NYLON 66(UL)
- FLAME CLASS: 94V-2
- COLOR: NATURAL
- ASSEMBLY:  
1.INSERT ASLOPE  
2.DEPRESS THE MOUNT

| PART NO | A    | B   | C    | D    | PACKAGE |
|---------|------|-----|------|------|---------|
| LFC-01  | 26.4 | 9.6 | 19.0 | 17.6 | 200     |



HOLE IN CHASSIS  
CHASSIS THICKNESS:1.2mm

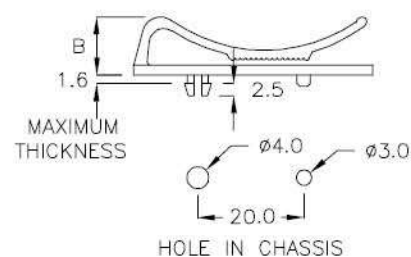
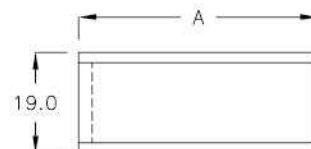


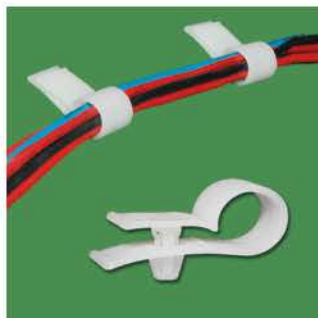
### 排線固定板 FLAT CABLE CLIP 6-114-3

- MATERIAL: NYLON 66(UL)
- FLAME CLASS: 94V-2
- COLOR: NATURAL

WITH LOCK FEATURE

| PART NO | A    | B    | PACKAGE |
|---------|------|------|---------|
| FC-45N  | 45.0 | 10.9 | 200     |

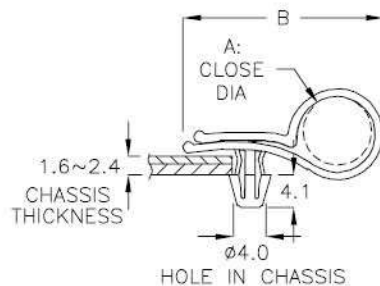




電線固定扣 WIRE CLIP

- MATERIAL: NYLON 66(UL)
- FLAME CLASS: 94V-2
- COLOR: NATURAL

6-115-1



WITH LOCK FEATURE

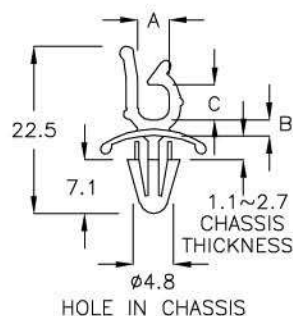
| PART NO | A<br>CLOSE<br>DIA | B    | PACKAGE |
|---------|-------------------|------|---------|
| PC-08T  | $\phi 7.8$        | 24.4 | 500     |
| PC-10T  | $\phi 10.0$       | 29.3 |         |



電線固定扣 WIRE CLIP

- MATERIAL: NYLON 66(UL)
- FLAME CLASS: 94V-2
- COLOR: NATURAL

6-115-2



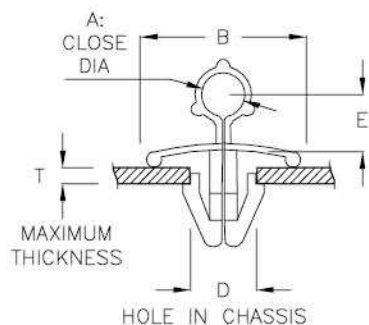
| PART NO | A   | B   | C   | PACKAGE |
|---------|-----|-----|-----|---------|
| TA-5    | 4.2 | 2.5 | 4.7 | 1000    |



電線固定扣 WIRE CLIP

- MATERIAL: NYLON 66(UL)
- FLAME CLASS: 94V-2
- COLOR: NATURAL

6-115-3



WITH LOCK FEATURE

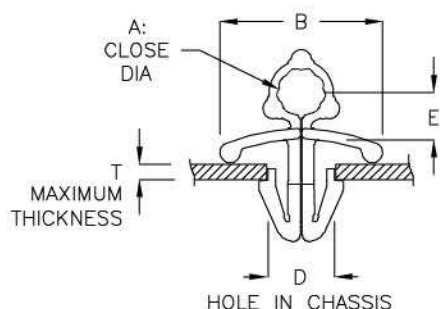
| PART NO | A<br>CLOSE<br>DIA | B    | D<br>HOLE IN<br>CHASSIS | E   | T<br>MAXIMUM<br>THICKNESS | PACKAGE |
|---------|-------------------|------|-------------------------|-----|---------------------------|---------|
| TA-3C   | $\phi 3.8$        | 15.5 | $\phi 6.5$              | 5.7 | 1.6                       | 1000    |



電線固定扣 WIRE CLIP

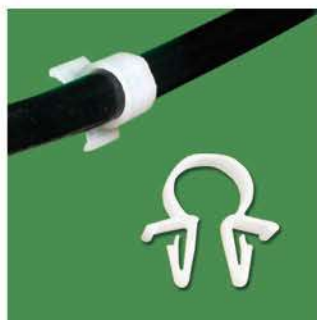
- MATERIAL: NYLON 66(UL)
- FLAME CLASS: 94V-2
- COLOR: NATURAL

6-115-4



WITH LOCK FEATURE

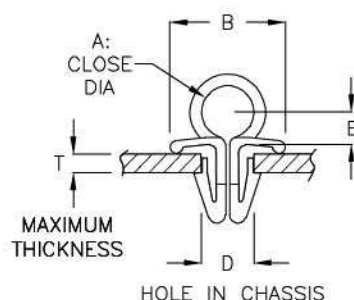
| PART NO | A<br>CLOSE<br>DIA | B    | D<br>HOLE IN<br>CHASSIS | E   | T<br>CHASSIS<br>THICKNESS | PACKAGE |
|---------|-------------------|------|-------------------------|-----|---------------------------|---------|
| TA-2K   | $\phi 2.9$        | 12.0 | $\phi 4.5$              | 3.5 | 0.6~1.6                   | 1000    |



### 電線固定扣 WIRE CLIP

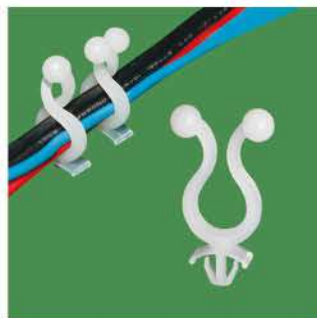
6-116-1

- MATERIAL: NYLON 66(UL)
- FLAME CLASS: 94V-2
- COLOR: NATURAL



WITH LOCK FEATURE

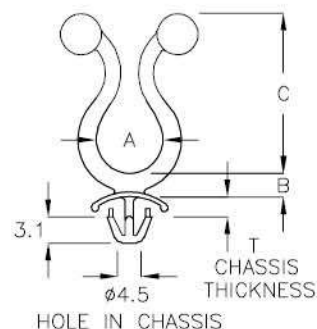
| PART NO | A<br>CLOSE<br>DIA | B    | D<br>HOLE IN<br>CHASSIS | E   | T<br>MAXIMUM<br>THICKNESS | PACKAGE |
|---------|-------------------|------|-------------------------|-----|---------------------------|---------|
| TA-3M   | ø3.8              | 14.8 | ø6.5                    | 5.7 | 1.2                       | 1000    |
| TA-5M   | ø5.0              | 11.7 | ø6.5                    | 4.3 | 2.0                       |         |
| TA-6    | ø5.5              | 12.5 | ø5.5                    | 5.0 | 2.0                       |         |
| TA-7    | ø7.5              | 14.1 | ø5.5                    | 4.6 | 2.0                       |         |
| TA-8    | ø8.4              | 16.5 | ø6.0                    | 6.2 | 1.6                       |         |
| TA-08A  | ø8.4              | 13.5 | ø5.5                    | 6.2 | 1.6                       |         |
| TA-11   | ø11.1             | 16.2 | ø6.0                    | 7.0 | 1.9                       |         |



### 隔離束線座 WIRE CLIP

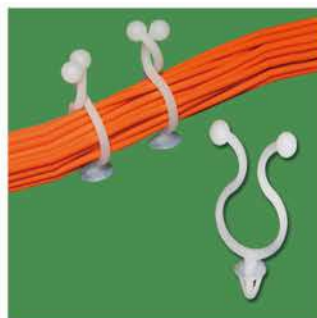
6-116-2

- MATERIAL: NYLON 66(UL)
- FLAME CLASS: 94V-2
- COLOR: NATURAL



WITH LOCK FEATURE

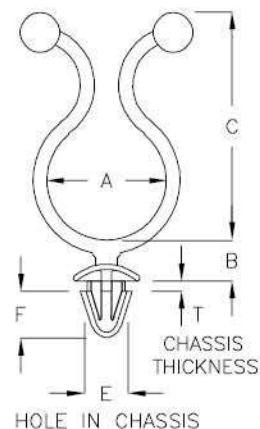
| PART NO | A   | B   | C    | CLOSE<br>A | T<br>CHASSIS<br>THICKNESS | PACKAGE |
|---------|-----|-----|------|------------|---------------------------|---------|
| TF8-3DC | 8.1 | 3.5 | 19.2 | ø6.5       | 0.8~1.2                   | 1000    |



### 隔離束線座 WIRE CLIP

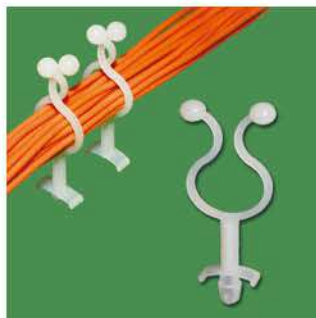
6-116-3

- MATERIAL: NYLON 66(UL)
- FLAME CLASS: 94V-2
- COLOR: NATURAL



WITH LOCK FEATURE

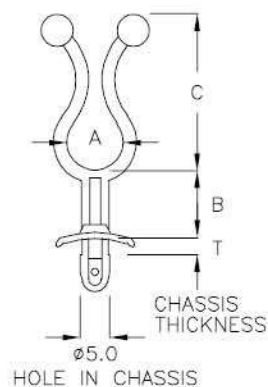
| PART NO | A    | B   | C    | CLOSE<br>A | T<br>CHASSIS<br>THICKNESS | E<br>HOLE IN<br>CHASSIS | F   | PACKAGE |
|---------|------|-----|------|------------|---------------------------|-------------------------|-----|---------|
| TN16-5  | 16.2 | 5.4 | 30.5 | ø14.0      | 1.4~1.7                   | ø5.0                    | 6.3 | 500     |



## 隔離束線座 WIRE CLIP

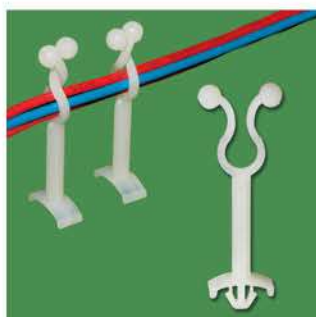
6-117-1

- MATERIAL: NYLON 66(UL)
- FLAME CLASS: 94V-2
- COLOR: NATURAL



WITH LOCK FEATURE

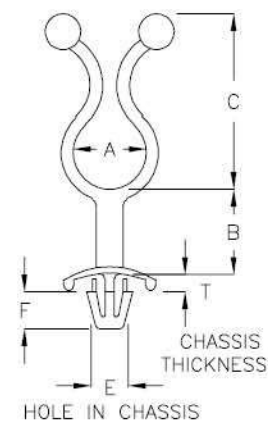
| PART NO | A    | B    | C    | CLOSE A | T<br>CHASSIS<br>THICKNESS | PACKAGE |
|---------|------|------|------|---------|---------------------------|---------|
| TA10-4  | 10.5 | 4.0  | 28.0 | ∅9.3    | 1.9~2.9                   | 500     |
| TA10-20 | 10.5 | 20.0 | 27.6 | ∅9.4    | 1.8~2.8                   |         |
| TA16-3  | 15.9 | 3.5  | 32.0 | ∅14.4   | 1.0~2.6                   |         |
| TA16-18 | 16.0 | 18.0 | 32.0 | ∅14.4   | 1.2~2.4                   |         |



## 隔離束線座 WIRE CLIP

6-117-2

- MATERIAL: NYLON 66(UL)
- FLAME CLASS: 94V-2
- COLOR: NATURAL



WITH LOCK FEATURE

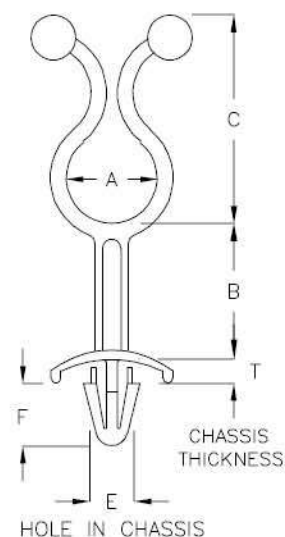
| PART NO  | A    | B    | C    | CLOSE A | T<br>CHASSIS<br>THICKNESS | E<br>HOLE IN<br>CHASSIS | F   | PACKAGE |
|----------|------|------|------|---------|---------------------------|-------------------------|-----|---------|
| TA7-23   | 6.7  | 23.7 | 17.2 | ∅5.5    | 0.5~2.0                   | ∅5.0                    | 3.2 | 500     |
| TA8-15A  | 8.6  | 15.0 | 26.3 | ∅7.5    | 1.2~3.0                   | ∅4.0                    | 5.2 |         |
| TA9-15   | 10.7 | 15.0 | 26.3 | ∅9.4    | 1.2~3.0                   | ∅4.0                    | 5.2 |         |
| TA11-4A  | 10.8 | 4.6  | 26.3 | ∅9.3    | 0.3~2.2                   | ∅5.0                    | 5.6 |         |
| TA11-50A | 11.5 | 50.2 | 26.7 | ∅10.1   | 0.8~2.7                   | ∅4.8~∅5.0               | 5.1 |         |
| TA14-2C  | 14.8 | 2.4  | 30.5 | ∅13.0   | 0.8~1.6                   | ∅4.8                    | 5.1 |         |



## 隔離束線座 WIRE CLIP

6-118-1

- MATERIAL: NYLON 66(UL)
- FLAME CLASS: 94V-2
- COLOR: NATURAL



WITH LOCK FEATURE

 E154548(S)

| PART NO | A    | B    | C    | CLOSE A | T CHASSIS THICKNESS | E HOLE IN CHASSIS | F   | UL | PACKAGE |
|---------|------|------|------|---------|---------------------|-------------------|-----|----|---------|
| TA5-60  | 5.1  | 60.4 | 20.7 | ∅4.4    | 0.8~2.7             | ∅4.8~∅5.0         | 7.2 |    | 500     |
| TA8-3   | 8.6  | 3.5  | 19.0 | ∅7.0    | 1.2~1.8             | ∅4.0              | 3.0 | UL | 1000    |
| TA8-3L  | 8.6  | 3.2  | 19.0 | ∅7.0    | 1.2~2.3             | ∅4.0              | 3.3 |    |         |
| TA8-6   | 8.8  | 5.6  | 19.1 | ∅7.0    | 1.2~1.8             | ∅4.8~∅5.0         | 7.6 | UL |         |
| TA8-10  | 8.0  | 10.5 | 22.7 | ∅6.8    | 1.2~2.8             | ∅5.0              | 7.2 | UL | 500     |
| TA8-20  | 8.0  | 20.2 | 22.7 | ∅6.8    | 1.2~2.8             | ∅5.0              | 7.2 | UL |         |
| TA10-3  | 10.9 | 3.0  | 27.0 | ∅9.5    | 1.1~2.6             | ∅5.0              | 7.3 | UL |         |
| TA10-3A | 10.9 | 3.1  | 27.0 | ∅9.5    | 1.2~3.8             | ∅5.0              | 6.6 |    |         |
| TA10-15 | 11.0 | 15.5 | 27.0 | ∅9.7    | 1.1~2.6             | ∅5.0              | 7.1 | UL |         |
| TA10-35 | 10.9 | 35.0 | 27.0 | ∅9.6    | 1.5~3.0             | ∅5.0              | 7.2 | UL |         |
| TA11-4  | 11.0 | 4.4  | 26.4 | ∅9.5    | 0.6~2.4             | ∅5.0              | 7.5 | UL |         |
| TA11-5  | 11.5 | 4.7  | 28.0 | ∅10.3   | 0.8~2.0             | ∅4.0              | 5.5 |    |         |
| TA11-50 | 11.5 | 50.2 | 26.7 | ∅10.1   | 0.8~2.7             | ∅4.8~∅5.0         | 7.1 | UL |         |
| TA11-21 | 11.8 | 21.2 | 27.5 | ∅10.2   | 0.6~2.7             | ∅5.0              | 6.6 | UL |         |
| TA11-43 | 11.5 | 43.5 | 26.7 | ∅10.1   | 0.8~2.7             | ∅4.8~∅5.0         | 7.0 |    |         |
| TA12-10 | 12.0 | 10.1 | 27.0 | ∅10.2   | 1.2~3.2             | ∅4.8~∅5.0         | 6.6 |    |         |
| TA14-2  | 14.4 | 2.4  | 30.5 | ∅13.0   | 0.3~1.8             | ∅4.8              | 7.6 |    |         |
| TA16-4  | 16.0 | 3.5  | 30.8 | ∅14.0   | 1.3~2.9             | ∅5.0              | 7.2 | UL |         |
| TA16-60 | 16.0 | 60.4 | 32.0 | ∅14.5   | 0.8~2.7             | ∅4.8~∅5.0         | 7.1 | UL | 200     |
| TA19-30 | 18.7 | 30.0 | 36.4 | ∅16.5   | 0.9~3.0             | ∅4.8~∅5.0         | 7.0 |    |         |
| TA20-8  | 20.6 | 8.1  | 36.7 | ∅18.4   | 0.8~3.0             | ∅4.8~∅5.0         | 7.1 |    | 500     |
| TA20-16 | 20.3 | 16.2 | 36.3 | ∅18.3   | 1.5~3.1             | ∅5.0              | 7.2 | UL |         |
| TA24-3  | 24.3 | 3.0  | 43.6 | ∅22.0   | 0.6~2.7             | ∅5.0              | 6.9 | UL |         |
| TA37-3  | 37.5 | 3.3  | 59.3 | ∅35.0   | 1.1~2.4             | ∅4.8~∅5.0         | 6.7 | UL | 200     |



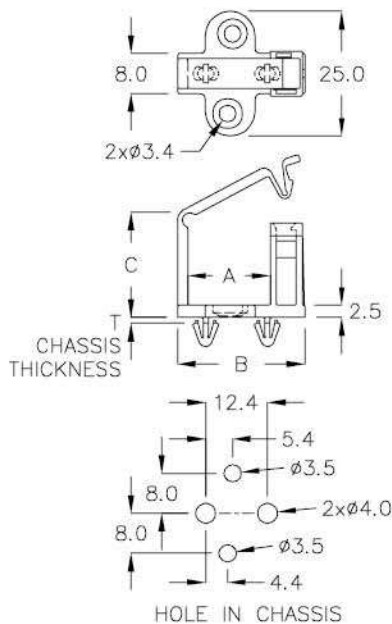


電線固定板 CABLE CLAMP ————— | 6-159-1 |

- MATERIAL: NYLON 66(UL)
- FLAME CLASS: 94V-2
- COLOR: BLACK
- WITH M3 COUNTERSUNK SCREW

WITH LOCK FEATURE

| PART NO  | A    | B    | C    | T<br>CHASSIS<br>THICKNESS | PACKAGE |
|----------|------|------|------|---------------------------|---------|
| FCJK-16A | 16.5 | 25.5 | 27.0 | 1.0                       | 200     |

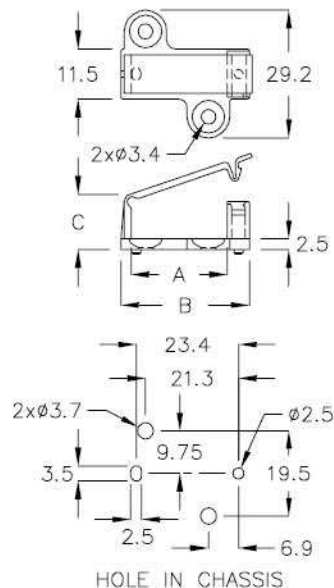


電線固定板 CABLE CLAMP ————— | 6-159-2 |

- MATERIAL: NYLON 66(UL)
- FLAME CLASS: 94V-0
- COLOR: BLACK
- WITH M3 COUNTERSUNK SCREW

WITH LOCK FEATURE

| PART NO  | A    | B    | C    | PACKAGE |
|----------|------|------|------|---------|
| FAKT-22C | 22.0 | 29.4 | 12.3 | 100     |

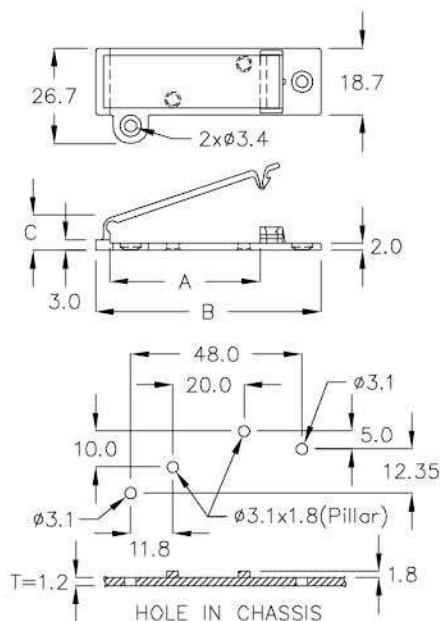


電線固定座 WIRE MOUNT ————— | 6-159-3 |

- MATERIAL: NYLON 66(UL)
- FLAME CLASS: 94V-0
- COLOR: BLACK
- WITH M3 COUNTERSUNK SCREW

WITH LOCK FEATURE

| PART NO   | A     | B    | C    | PACKAGE |
|-----------|-------|------|------|---------|
| FCWB-63TM | 41.35 | 63.1 | 9.2  | 100     |
| FCWB-63GS | 41.35 | 63.1 | 13.8 |         |





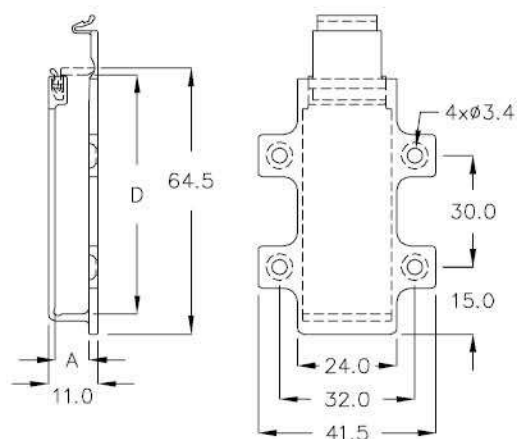
### 電線固定座 WIRE MOUNT

6-160-1

- MATERIAL: NYLON 66(UL)
- FLAME CLASS: 94V-2
- COLOR: BLACK
- WITH COUNTERSUNK SCREW

WITH LOCK FEATURE

| PART NO  | A   | D    | PACKAGE |
|----------|-----|------|---------|
| CZG-52FA | 7.5 | 58.0 | 100     |



### 電線固定座 WIRE MOUNT

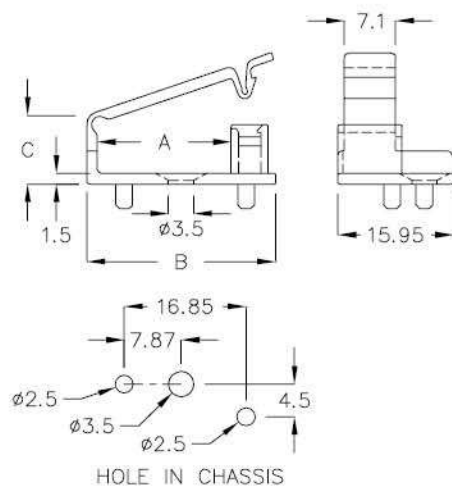
6-160-2

- MATERIAL: NYLON 66(UL)
- FLAME CLASS: 94V-2
- COLOR: BLACK
- WITH COUNTERSUNK SCREW

**NEW**

WITH LOCK FEATURE

| PART NO   | A    | B     | C   | PACKAGE |
|-----------|------|-------|-----|---------|
| ★ FCE-18A | 18.5 | 26.15 | 9.7 | 200     |



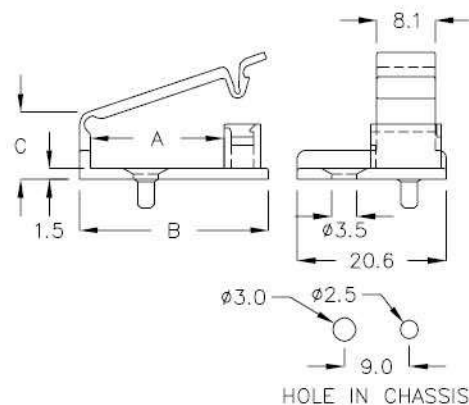
### 電線固定板 CABLE CLAMP

6-160-3

- MATERIAL: NYLON 66(UL)
- FLAME CLASS: 94V-2
- COLOR: BLACK
- WITH M3 COUNTERSUNK SCREW

WITH LOCK FEATURE

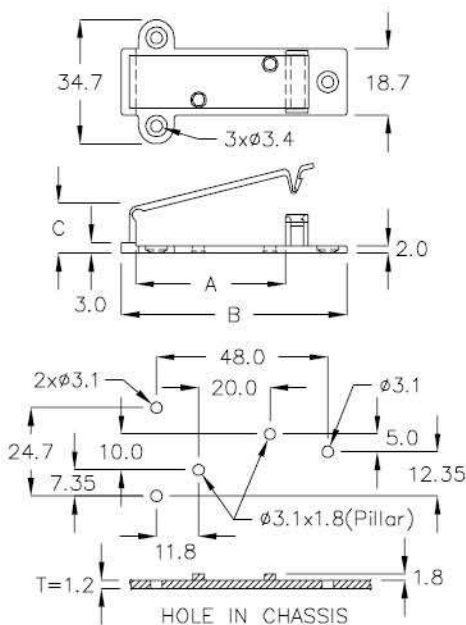
| PART NO  | A    | B     | C   | PACKAGE |
|----------|------|-------|-----|---------|
| FCWY-18T | 18.5 | 26.15 | 8.9 | 100     |





電線固定座 WIRE MOUNT ————— | 6-161-1 |

- MATERIAL: NYLON 66(UL)
- FLAME CLASS: 94V-2
- COLOR: BLACK
- WITH M3 COUNTERSUNK SCREW



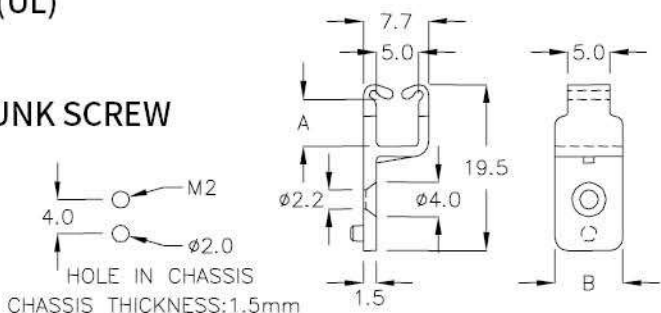
WITH LOCK FEATURE

| PART NO   | A     | B    | C    | PACKAGE |
|-----------|-------|------|------|---------|
| FCWC-63AT | 42.05 | 63.1 | 13.1 | 100     |



電線固定座 WIRE MOUNT ————— | 6-161-2 |

- MATERIAL: NYLON 66(UL)
- FLAME CLASS: 94V-2
- COLOR: NATURAL
- WITH M2 COUNTERSUNK SCREW

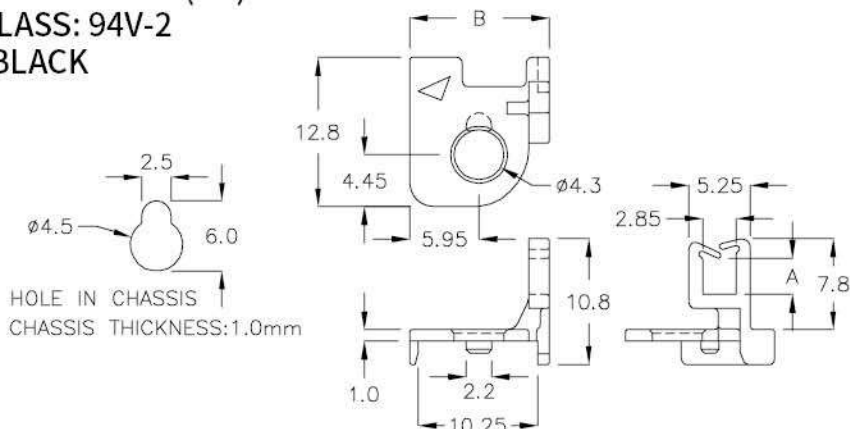


| PART NO  | A   | B   | PACKAGE |
|----------|-----|-----|---------|
| CNJ-19MT | 5.5 | 8.0 | 500     |



隔離束線座 WIRE SADDLE ————— | 6-161-3 |

- MATERIAL: NYLON 66(UL)
- FLAME CLASS: 94V-2
- COLOR: BLACK



| PART NO  | A   | B    | PACKAGE |
|----------|-----|------|---------|
| ABGX-13C | 3.1 | 12.0 | 1000    |

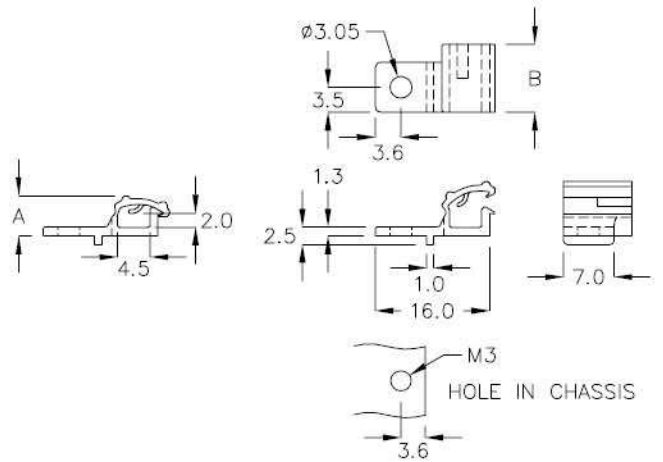


### 電線固定座 WIRE MOUNT

6-162-1

- MATERIAL: NYLON 66(UL)
- FLAME CLASS: 94V-0
- COLOR: NATURAL

| PART NO | A   | B   | PACKAGE |
|---------|-----|-----|---------|
| KYA-17  | 5.7 | 9.5 | 1000    |



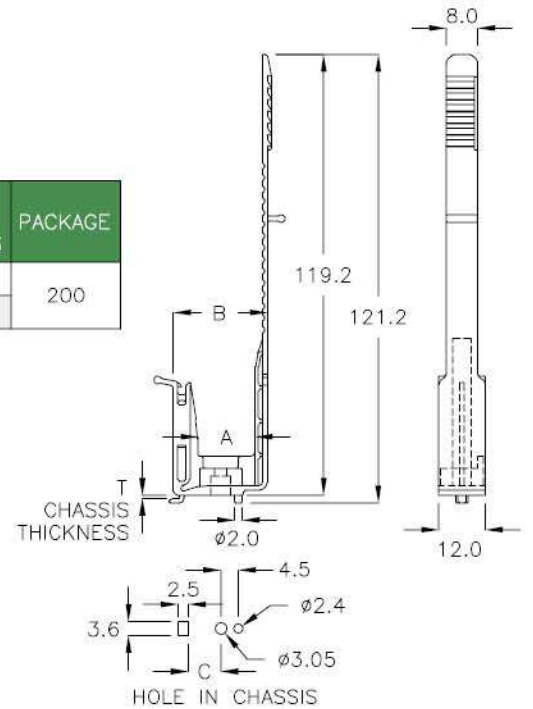
### 電線固定座 WIRE MOUNT

6-162-2

- MATERIAL: NYLON 66(UL)
- FLAME CLASS: 94V-2
- COLOR: BLACK

WITH LOCK FEATURE

| PART NO   | A    | B    | C    | T<br>CHASSIS<br>THICKNESS | PACKAGE |
|-----------|------|------|------|---------------------------|---------|
| CYX-121   | 14.7 | 24.2 | 8.4  | 0.6                       | 200     |
| CYX-121KP | 19.7 | 29.2 | 13.4 | 0.6                       |         |



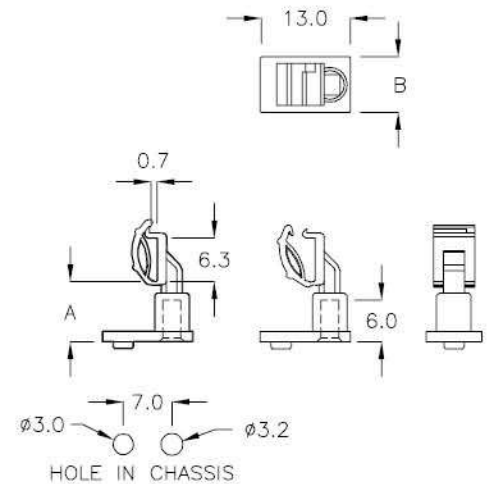
### 電線固定座 WIRE MOUNT

6-162-3

- MATERIAL: NYLON 66(UL)
- FLAME CLASS: 94V-2
- COLOR: NATURAL
- WITH M3 TAPPING SCREW

WITH LOCK FEATURE

| PART NO | A   | B   | PACKAGE |
|---------|-----|-----|---------|
| CAF-8A  | 8.7 | 8.0 | 500     |



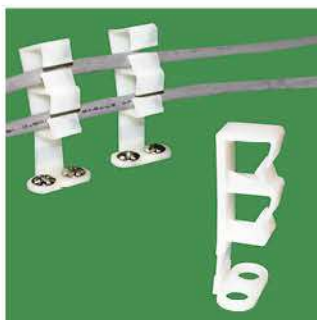
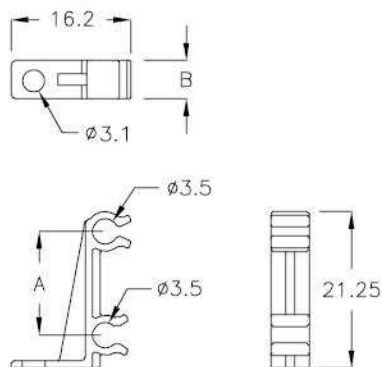


電線固定座 WIRE MOUNT

6-163-1

- MATERIAL: NYLON 66(UL)
- FLAME CLASS: 94V-2
- COLOR: NATURAL

| PART NO | A    | B   | PACKAGE |
|---------|------|-----|---------|
| CMP-21A | 14.0 | 5.2 | 500     |

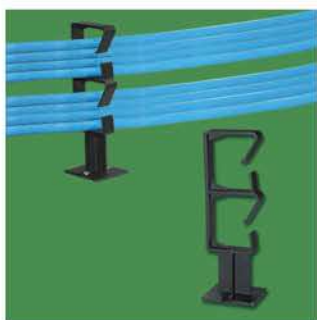
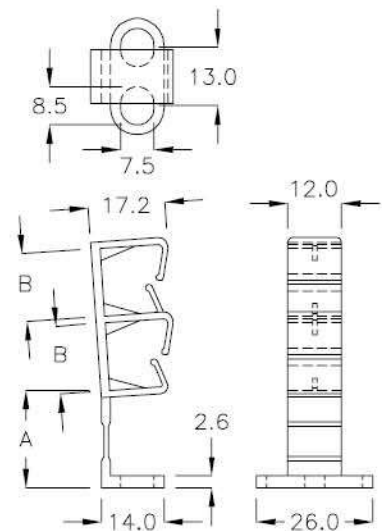


隔離束線座 WIRE SADDLE

6-163-2

- MATERIAL: NYLON 66(UL)
- FLAME CLASS: 94V-2
- COLOR: NATURAL

| PART NO | A    | B    | PACKAGE |
|---------|------|------|---------|
| 2CH-15  | 21.7 | 15.0 | 100     |

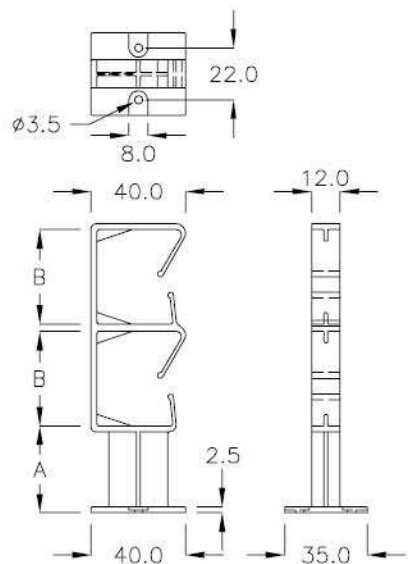


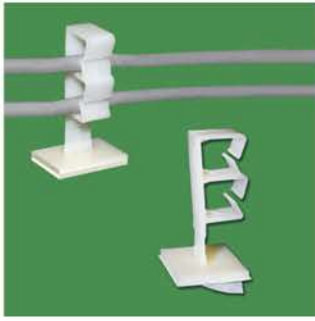
隔離束線座 WIRE SADDLE

6-163-3

- MATERIAL: NYLON 66(UL)
- FLAME CLASS: 94V-2
- COLOR: BLACK

| PART NO  | A    | B    | PACKAGE |
|----------|------|------|---------|
| 2CH-40MP | 36.7 | 40.3 | 50      |



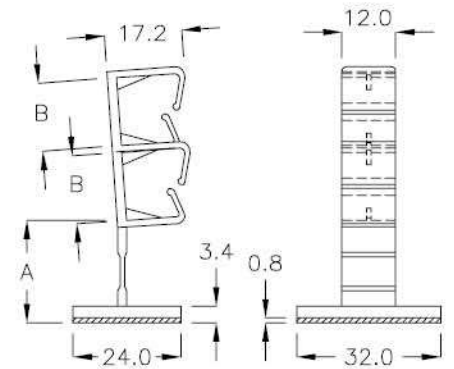


隔離束線座 WIRE SADDLE

6-164-1

- MATERIAL: NYLON 66(UL)
- FLAME CLASS: 94V-2
- COLOR: NATURAL
- ADHESIVE TAPE: 3M

| PART NO | A    | B    | PACKAGE |
|---------|------|------|---------|
| 2CH-15A | 22.6 | 15.0 | 100     |

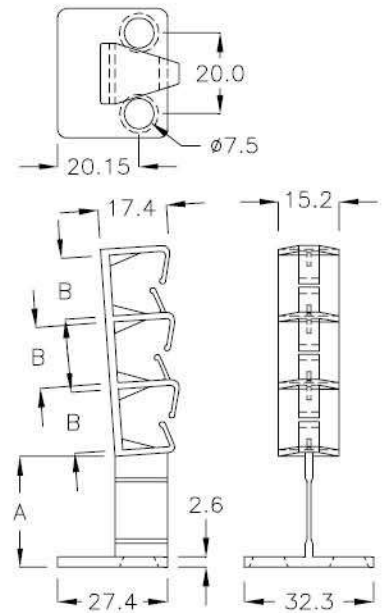


隔離束線座 WIRE SADDLE

6-164-2

- MATERIAL: NYLON 66(UL)
- FLAME CLASS: 94V-2
- COLOR: NATURAL

| PART NO | A    | B    | PACKAGE |
|---------|------|------|---------|
| 3CH-15  | 27.6 | 15.1 | 100     |

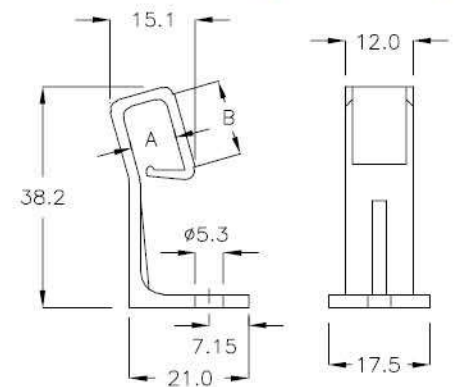


消磁線圈固定座 DEGAUSS COIL CLIP

6-164-3

- MATERIAL: NYLON 66(UL)
- FLAME CLASS: 94V-2
- COLOR: NATURAL

| PART NO | A   | B    | PACKAGE |
|---------|-----|------|---------|
| CH-38   | 7.8 | 13.0 | 200     |

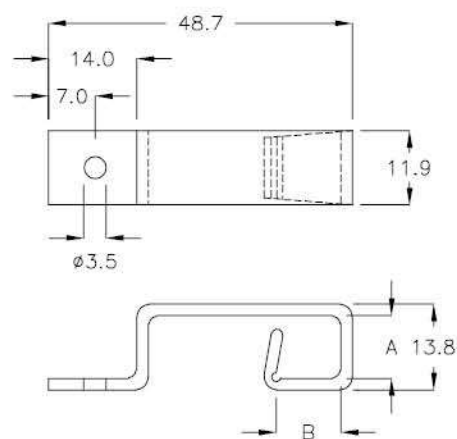




消磁線圈固定座 DEGAUSS COIL CLIP ———— | 6-165-1 |

- MATERIAL: NYLON 66(UL)
- FLAME CLASS: 94V-2
- COLOR: NATURAL

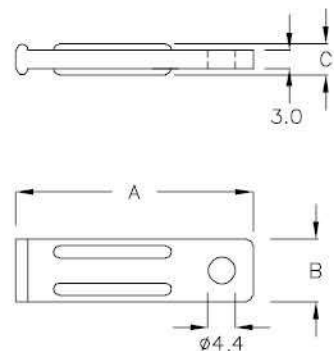
| PART NO | A    | B    | PACKAGE |
|---------|------|------|---------|
| CH-48   | 10.0 | 10.0 | 200     |



固定座 EDGE CONNECT BASE ———— | 6-165-2 |

- MATERIAL: NYLON 66(UL)
- FLAME CLASS: 94V-2
- COLOR: NATURAL

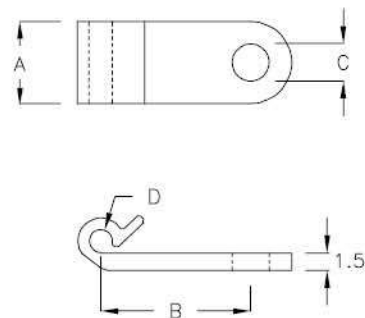
| PART NO | A    | B    | C   | PACKAGE |
|---------|------|------|-----|---------|
| PDB-01  | 38.0 | 10.0 | 5.0 | 500     |



電線固定扣 CABLE CLAMP ———— | 6-165-3 |

- MATERIAL: NYLON 66(UL)
- FLAME CLASS: 94V-2
- COLOR: NATURAL

| PART NO | A   | B     | C   | D   | PACKAGE |
|---------|-----|-------|-----|-----|---------|
| PC-01J  | 7.0 | 12.8  | 3.2 | 2.0 | 1000    |
| PC-1RL  | 7.0 | 12.75 | 3.2 | 2.1 |         |



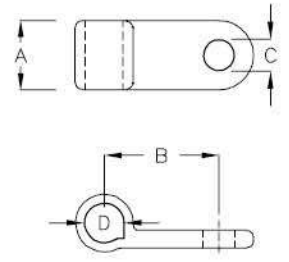


### 電線固定扣 CABLE CLAMP

6-166-1

- MATERIAL: NYLON 66(UL)
- FLAME CLASS: 94V-2
- COLOR: NATURAL, BLACK

| PART NO | A    | B     | C    | D     | PACKAGE |
|---------|------|-------|------|-------|---------|
| PCG-5A  | 10.0 | 19.0  | ∅4.6 | ∅5.4  | 500     |
| PCG-5CK | 10.0 | 26.0  | ∅5.4 | ∅5.4  |         |
| PCG-5NW | 9.6  | 11.6  | ∅3.5 | ∅5.35 |         |
| PCG-7F  | 9.5  | 11.75 | ∅5.4 | ∅7.5  |         |

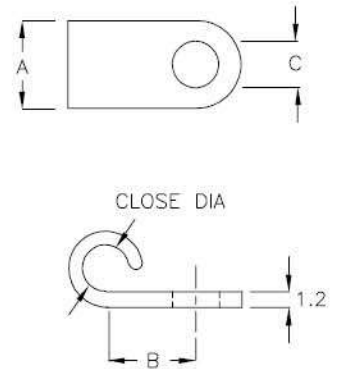


### 電線固定扣 CABLE CLAMP

6-166-2

- MATERIAL: NYLON 66(UL)
- FLAME CLASS: 94V-2
- COLOR: NATURAL

| PART NO | A   | B    | C    | CLOSE DIA | PACKAGE |
|---------|-----|------|------|-----------|---------|
| PC-01D  | 6.6 | 6.7  | ∅3.5 | ∅2.7      | 2000    |
| PC-1A   | 6.5 | 6.7  | ∅3.4 | ∅3.4      |         |
| PC-2A   | 8.5 | 11.4 | ∅4.4 | ∅5.0      | 1000    |
| PC-02D  | 8.6 | 13.8 | ∅4.4 | ∅5.7      |         |
| PC-2Q   | 7.5 | 9.3  | ∅4.1 | ∅4.0      |         |

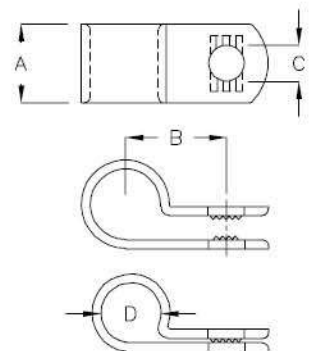


### 電線固定扣 CABLE CLAMP

6-166-3

- MATERIAL: NYLON 66(UL)
- FLAME CLASS: 94V-2
- COLOR: NATURAL, BLACK

| PART NO | A   | B    | C    | D CLOSE DIA | PACKAGE |
|---------|-----|------|------|-------------|---------|
| PC-09   | 9.5 | 12.2 | ∅4.4 | ∅7.5        | 500     |
| PC-5HM  | 9.5 | 11.1 | ∅4.3 | ∅5.6        |         |





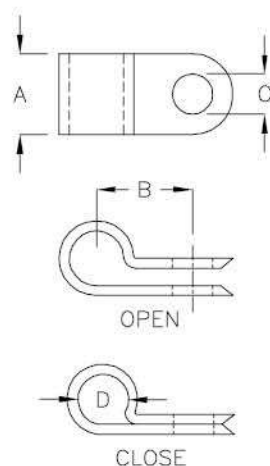


## 電線固定扣 CABLE CLAMP

6-167-1

- MATERIAL: NYLON 66(UL)
- FLAME CLASS: 94V-2
- COLOR: NATURAL, BLACK

| PART NO | A    | B     | C     | D<br>CLOSE<br>DIA | PACKAGE |
|---------|------|-------|-------|-------------------|---------|
| PC-1    | 13.5 | 9.0   | ∅5.4  | ∅3.6              | 1000    |
| PC-1C   | 9.5  | 8.3   | ∅4.4  | ∅3.0              | 2000    |
| PC-1K   | 6.3  | 9.0   | ∅3.1  | ∅3.5              |         |
| PC-1Q   | 6.5  | 9.5   | ∅3.1  | ∅3.0              |         |
| PC-1S   | 6.5  | 6.7   | ∅3.5  | ∅3.1              |         |
| PC-2    | 10.2 | 11.5  | ∅4.0  | ∅5.0              | 1000    |
| PC-2H   | 9.7  | 11.7  | ∅4.1  | ∅4.5              |         |
| PC-2K   | 12.7 | 10.7  | ∅5.2  | ∅5.7              |         |
| PC-2L   | 9.6  | 12.1  | ∅5.0  | ∅7.3              |         |
| PC-2M   | 9.8  | 12.1  | ∅5.1  | ∅6.1              |         |
| PC-2S   | 9.8  | 12.0  | ∅5.1  | ∅6.9              |         |
| PC-3    | 10.0 | 11.9  | ∅4.3  | ∅5.6              | 500     |
| PC-3K   | 9.0  | 11.35 | ∅3.5  | ∅5.7              |         |
| PC-3M   | 8.3  | 9.8   | ∅4.0  | ∅5.0              |         |
| PC-4    | 9.7  | 12.1  | ∅4.1  | ∅8.3              |         |
| PC-5    | 12.4 | 13.4  | ∅5.0  | ∅8.8              |         |
| PC-05C  | 9.5  | 12.0  | ∅3.2  | ∅8.3              |         |
| PC-5F   | 9.5  | 16.0  | ∅4.1  | ∅8.7              |         |
| PC-5GW  | 9.6  | 12.1  | ∅4.4  | ∅5.6              |         |
| PC-6    | 13.5 | 16.5  | ∅5.25 | ∅11.4             |         |
| PC-24MT | 12.0 | 21.8  | ∅5.4  | ∅25.0             |         |

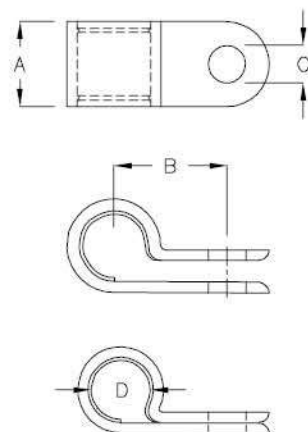


## 電線固定扣 CABLE CLAMP

6-167-2

- MATERIAL: NYLON 66(UL)
- FLAME CLASS: 94V-2
- COLOR: NATURAL

| PART NO | A    | B    | C    | D<br>CLOSE<br>DIA | PACKAGE |
|---------|------|------|------|-------------------|---------|
| PC-3L   | 10.0 | 10.0 | ∅4.4 | ∅5.5              | 500     |
| PC-03C  | 9.8  | 11.3 | ∅4.2 | ∅6.9              |         |
| PC-02C  | 9.8  | 12.0 | ∅4.2 | ∅7.7              |         |
| PC-6M   | 10.0 | 15.1 | ∅4.0 | ∅11.0             |         |

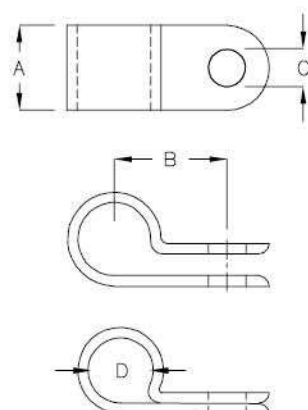


## 電線固定扣 CABLE CLAMP

6-167-3

- MATERIAL: NYLON 66(UL)
- FLAME CLASS: 94V-2
- COLOR: NATURAL, BLACK

| PART NO | A   | B     | C    | D<br>CLOSE<br>DIA | PACKAGE |
|---------|-----|-------|------|-------------------|---------|
| PC-3KF  | 9.0 | 11.35 | ∅3.5 | ∅5.7              | 500     |



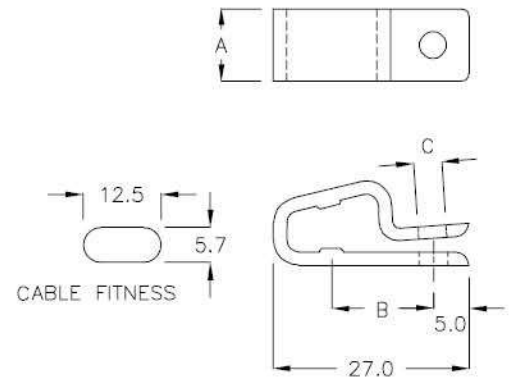


### 電線固定扣 CABLE CLAMP

- MATERIAL: NYLON 66(UL)
- FLAME CLASS: 94V-2
- COLOR: NATURAL

| PART NO | A    | B    | C    | PACKAGE |
|---------|------|------|------|---------|
| PL-1    | 10.0 | 13.4 | ∅4.0 | 500     |

### 6-168-1

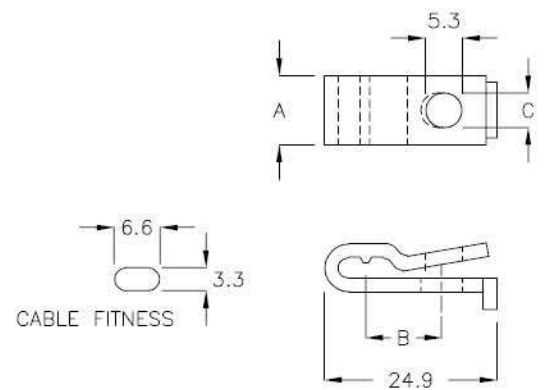


### 電線固定扣 CABLE CLAMP

- MATERIAL: NYLON 66(UL)
- FLAME CLASS: 94V-2
- COLOR: NATURAL

| PART NO | A    | B    | C    | PACKAGE |
|---------|------|------|------|---------|
| PL-01A  | 10.1 | 11.0 | ∅5.0 | 500     |

### 6-168-2

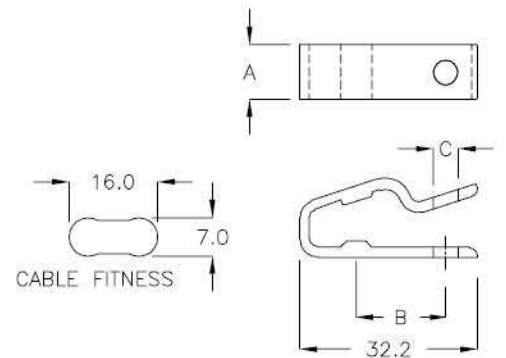


### 電線固定扣 CABLE CLAMP

- MATERIAL: NYLON 66(UL)
- FLAME CLASS: 94V-0
- COLOR: NATURAL

| PART NO | A    | B     | C    | PACKAGE |
|---------|------|-------|------|---------|
| PL-3    | 10.0 | 16.15 | ∅4.5 | 500     |

### 6-168-3

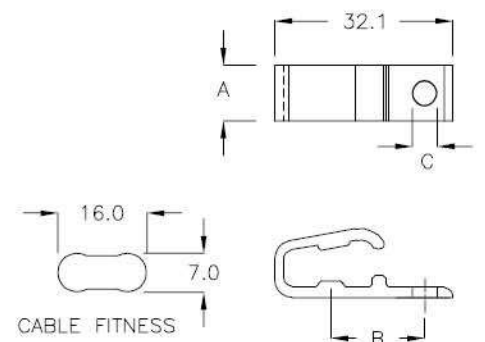


### 電線固定扣 CABLE CLAMP

- MATERIAL: NYLON 66(UL)
- FLAME CLASS: 94V-0
- COLOR: NATURAL

| PART NO | A    | B    | C    | PACKAGE |
|---------|------|------|------|---------|
| PL-04   | 10.0 | 17.0 | ∅4.5 | 500     |

### 6-168-4

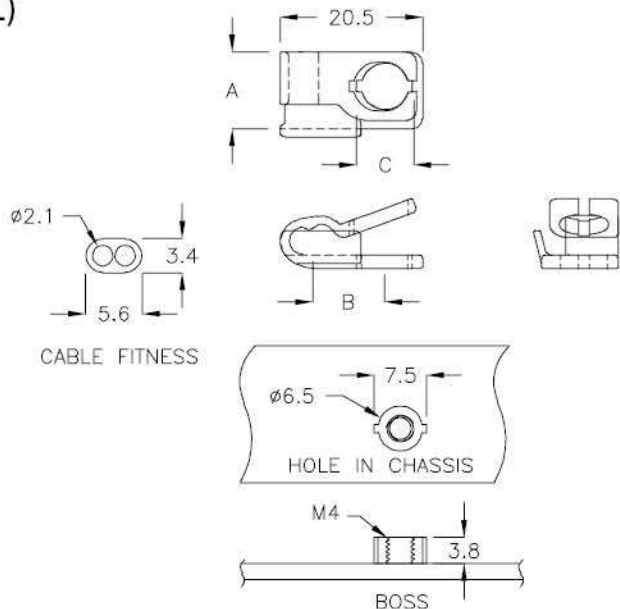




電線固定扣 CABLE CLAMP 6-169-1

- MATERIAL: NYLON 66(UL)
- FLAME CLASS: 94V-2
- COLOR: BLACK

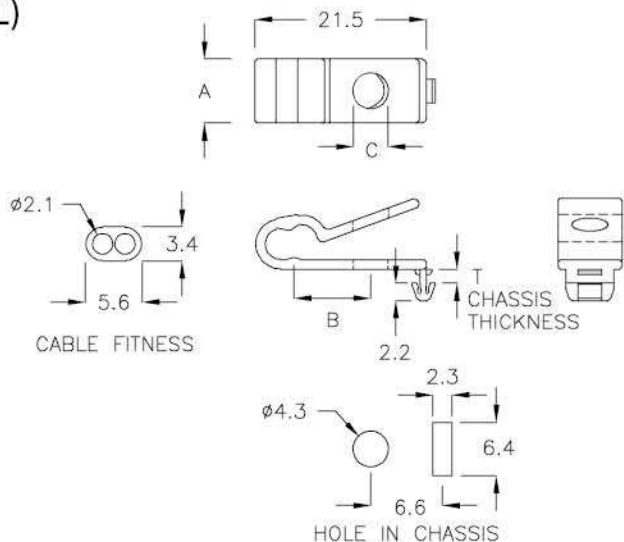
| PART NO | A    | B   | C   | PACKAGE |
|---------|------|-----|-----|---------|
| PLA-3F  | 11.0 | 9.8 | 8.0 | 500     |



電線固定扣 CABLE CLAMP 6-169-2

- MATERIAL: NYLON 66(UL)
- FLAME CLASS: 94V-2
- COLOR: BLACK

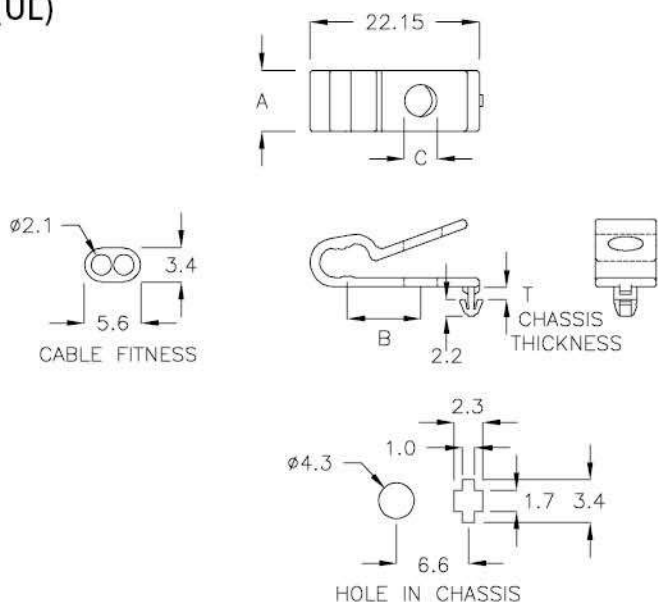
| PART NO | A   | B   | C   | T<br>CHASSIS<br>THICKNESS | PACKAGE |
|---------|-----|-----|-----|---------------------------|---------|
| PLB-3Q  | 8.0 | 9.6 | 4.3 | 1.6                       | 500     |



電線固定扣 CABLE CLAMP 6-169-3

- MATERIAL: NYLON 66(UL)
- FLAME CLASS: 94V-2
- COLOR: BLACK

| PART NO | A   | B   | C   | T<br>CHASSIS<br>THICKNESS | PACKAG |
|---------|-----|-----|-----|---------------------------|--------|
| PLB-3RM | 8.0 | 9.6 | 4.3 | 1.1~1.4                   | 500    |

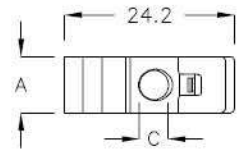




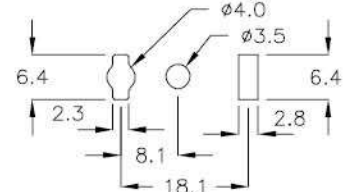
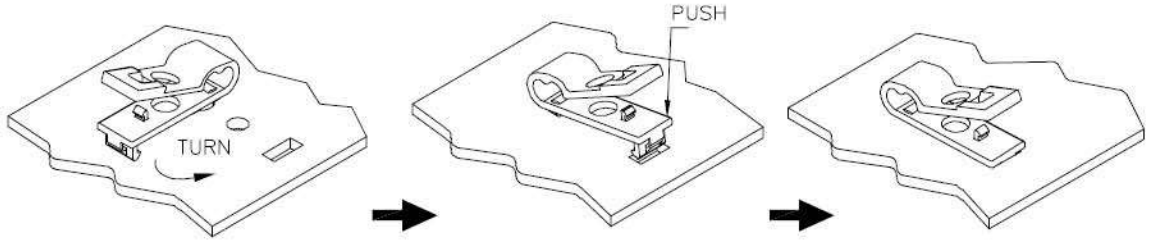
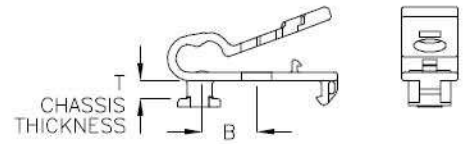
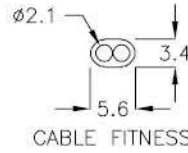
### 電線固定扣 CABLE CLAMP

6-170-1

- MATERIAL: NYLON 66(UL)
- FLAME CLASS: 94V-2
- COLOR: BLACK



| PART NO | A   | B   | C    | T<br>CHASSIS<br>THICKNESS | PACKAGE |
|---------|-----|-----|------|---------------------------|---------|
| PLC-3KF | 8.0 | 7.8 | ø4.3 | 2.0                       | 500     |



HOLE IN CHASSIS

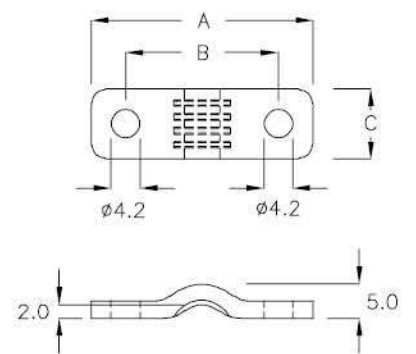


### 電線固定座 WIRE MOUNT

6-170-2

- MATERIAL: NYLON 66(UL)
- FLAME CLASS: 94V-2
- COLOR: NATURAL

| PART NO | A    | B    | C    | PACKAGE |
|---------|------|------|------|---------|
| PCT-01  | 32.0 | 22.0 | 10.0 | 500     |

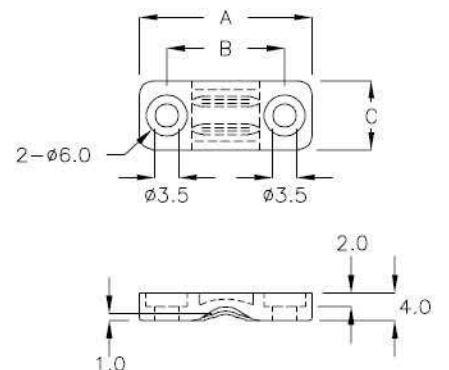


### 電線固定座 WIRE MOUNT

6-170-3

- MATERIAL: NYLON 66(UL)
- FLAME CLASS: 94V-2
- COLOR: BLACK

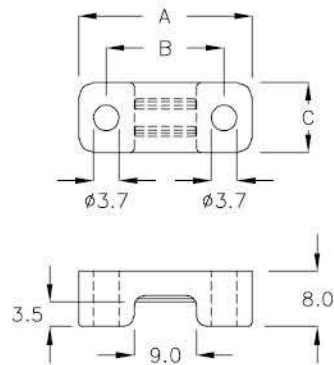
| PART NO | A    | B    | C    | PACKAGE |
|---------|------|------|------|---------|
| PCT-06  | 25.0 | 17.0 | 10.0 | 500     |





電線固定座 WIRE MOUNT | 6-171-1 |

- MATERIAL: NYLON 66(UL)
- FLAME CLASS: 94V-2
- COLOR: BLACK

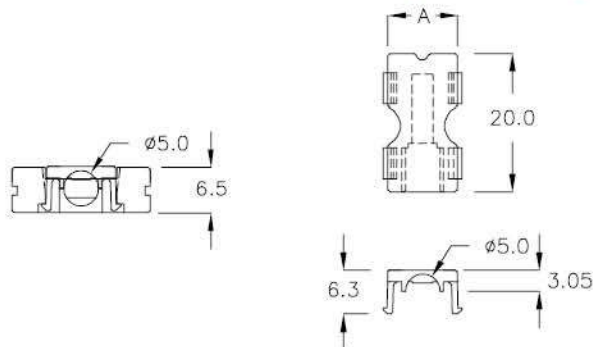


| PART NO | A    | B    | C    | PACKAGE |
|---------|------|------|------|---------|
| PCT-03  | 25.0 | 17.0 | 10.0 | 500     |



電線固定座 WIRE MOUNT | 6-171-2 |

- MATERIAL: NYLON 66(UL)
- FLAME CLASS: 94V-2
- COLOR: BLACK



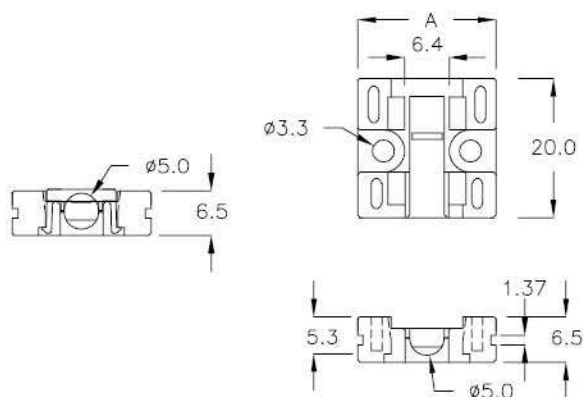
| PART NO | A    | PACKAGE |
|---------|------|---------|
| PCU-1A  | 10.0 | 500     |

ASSEMBLE WITH P.G PART PCW-01 (Page 6-171-3)



電線固定座 WIRE MOUNT | 6-171-3 |

- MATERIAL: NYLON 66(UL)
- FLAME CLASS: 94V-2
- COLOR: BLACK



| PART NO | A    | PACKAGE |
|---------|------|---------|
| PCW-01  | 20.0 | 500     |

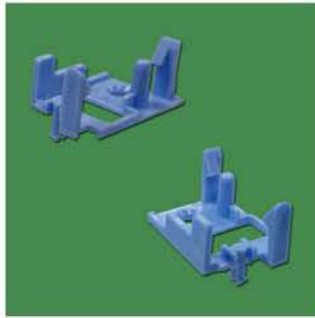
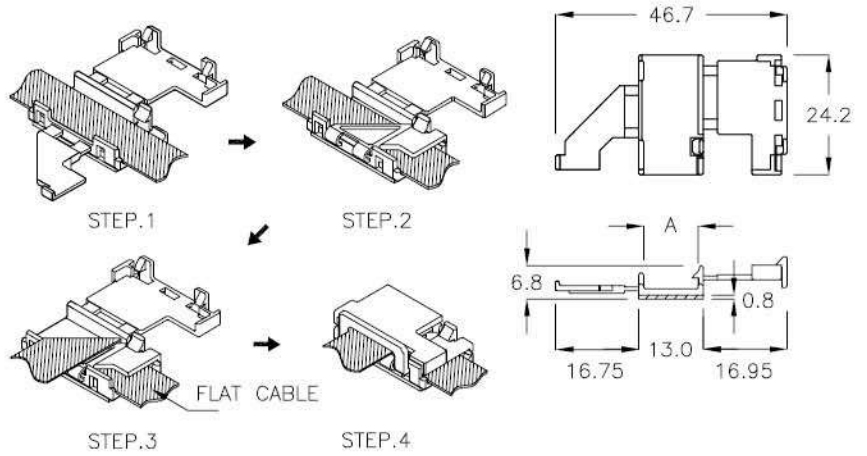
ASSEMBLE WITH P.G PART PCU-1A (Page 6-171-2)



| PART NO | A    | PACKAGE |
|---------|------|---------|
| DFB-11  | 11.0 | 100     |

### 排線固定座 FLAT CABLE MOUNT 6-172-1

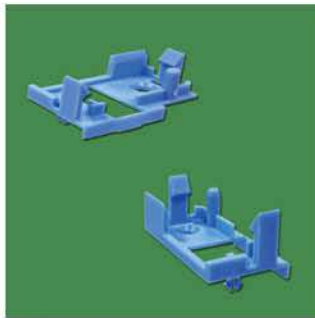
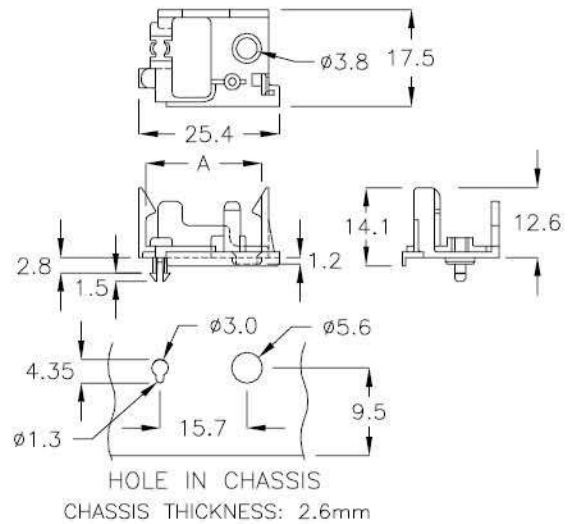
- MATERIAL: NYLON 66(UL)
- FLAME CLASS: 94V-2
- COLOR: BLACK
- ADHESIVE TAPE: 3M



| PART NO  | A    | PACKAGE |
|----------|------|---------|
| DFQ-21CA | 21.0 | 500     |

### 排線固定座 FLAT CABLE MOUNT 6-172-2

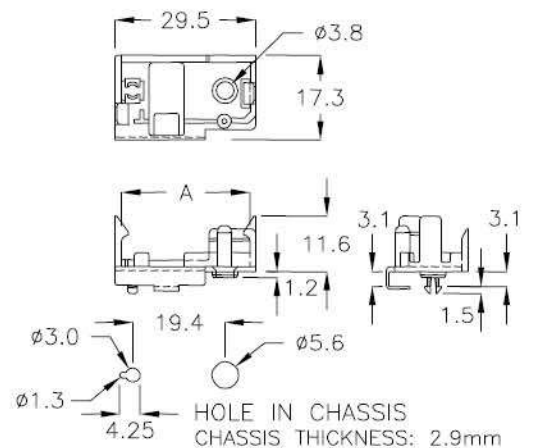
- MATERIAL: NYLON 66(UL)
- FLAME CLASS: 94V-0
- COLOR: BLUE

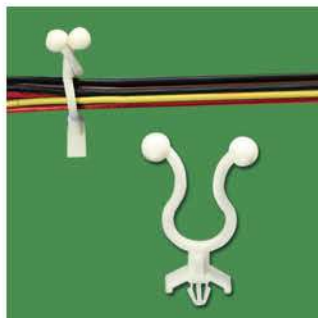


| PART NO  | A    | PACKAGE |
|----------|------|---------|
| DFQ-27MJ | 26.9 | 500     |

### 排線固定座 FLAT CABLE MOUNT 6-172-3

- MATERIAL: NYLON 66(UL)
- FLAME CLASS: 94V-0
- COLOR: BLUE

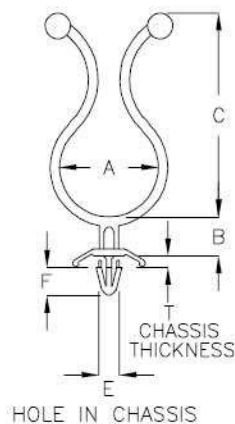




隔離束線座 WIRE CLIP

6-119-1

- MATERIAL: NYLON 66(UL)
- FLAME CLASS: 94V-2
- COLOR: NATURAL



WITH LOCK FEATURE

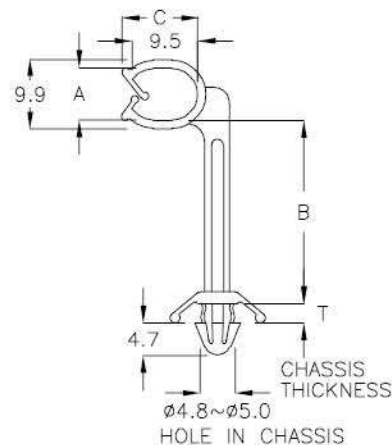
| PART NO | A    | B   | C    | CLOSE A | T CHASSIS THICKNESS | E HOLE IN CHASSIS | F   | PACKAGE |
|---------|------|-----|------|---------|---------------------|-------------------|-----|---------|
| TB20-8  | 20.6 | 8.1 | 42.0 | ∅18.5   | 1.0~2.0             | ∅3.5              | 6.0 | 500     |
| TB8-8   | 9.5  | 8.0 | 23.3 | ∅7.7    | 0.8~2.4             | ∅3.0              | 3.7 |         |



隔離束線座 WIRE SADDLE

6-119-2

- MATERIAL: NYLON 66(UL)
- FLAME CLASS: 94V-2
- COLOR: NATURAL



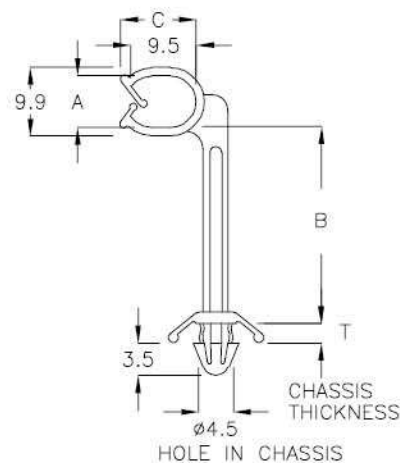
| PART NO | A   | B    | C    | T CHASSIS THICKNESS | PACKAGE |
|---------|-----|------|------|---------------------|---------|
| TUA-34  | 7.5 | 34.2 | 11.0 | 0.5~2.1             | 500     |



隔離束線座 WIRE SADDLE

6-119-3

- MATERIAL: NYLON 66(UL)
- FLAME CLASS: 94V-2
- COLOR: NATURAL



| PART NO | A   | B    | C    | T CHASSIS THICKNESS | PACKAGE |
|---------|-----|------|------|---------------------|---------|
| TUA-40  | 7.5 | 34.0 | 11.0 | 0.8~1.6             | 500     |

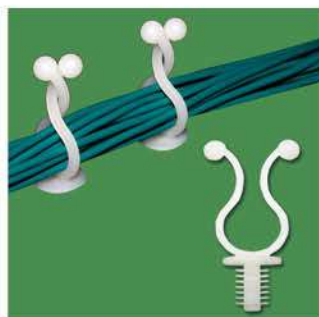
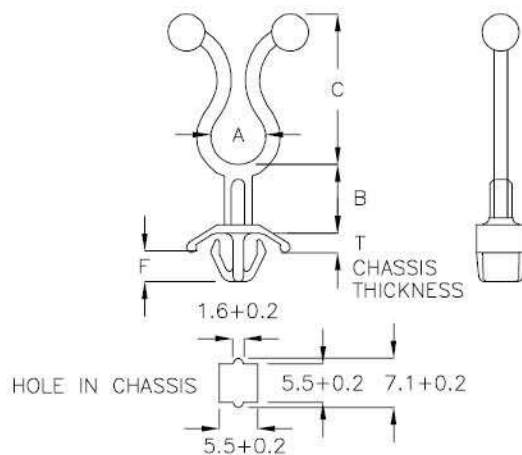


### 隔離束線座 WIRE CLIP

- MATERIAL: NYLON 66(UL)
- FLAME CLASS: 94V-2
- COLOR: NATURAL

Built-In Anti-Spin Function WITH LOCK FEATURE

| PART NO  | A    | B    | C    | CLOSE A | T CHASSIS THICKNESS | F   | PACKAGE |
|----------|------|------|------|---------|---------------------|-----|---------|
| TD5-36   | 5.4  | 36.5 | 18.4 | ∅4.5    | 0.8~1.2             | 3.8 | 500     |
| TD8-3    | 8.0  | 3.2  | 21.7 | ∅6.7    | 0.8~1.4             | 5.3 | 1000    |
| TD12-3   | 11.8 | 3.3  | 29.0 | ∅10.6   | 0.8~1.4             | 5.3 |         |
| TD11-20A | 11.5 | 19.9 | 28.2 | ∅10.0   | 0.8~2.2             | 3.6 | 500     |

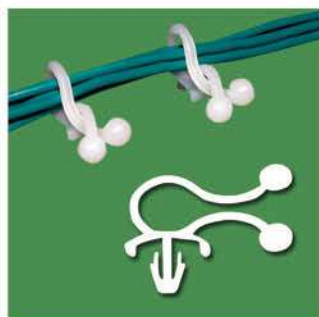
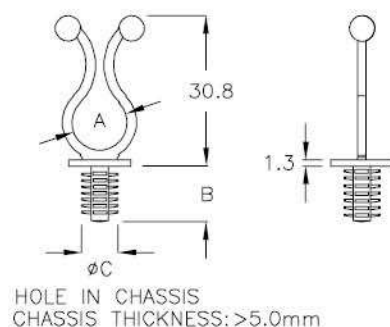


### 隔離束線座 WIRE CLIP

- MATERIAL: NYLON 66(UL)
- FLAME CLASS: 94V-2
- COLOR: NATURAL

WITH LOCK FEATURE

| PART NO | A    | B    | C    | CLOSE A | PACKAGE |
|---------|------|------|------|---------|---------|
| TG12-03 | 11.8 | 11.5 | 6.35 | ∅10.5   | 500     |

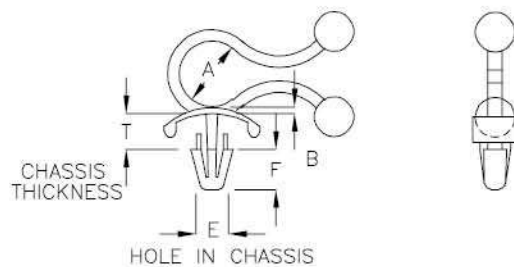


### 隔離束線座 WIRE CLIP

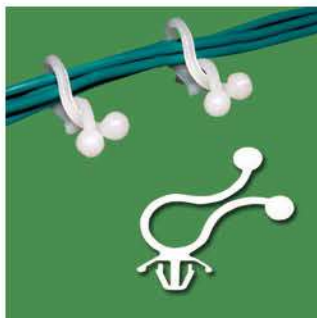
- MATERIAL: NYLON 66(UL)
- FLAME CLASS: 94V-2
- COLOR: NATURAL

WITH LOCK FEATURE

| PART NO | A   | B   | CLOSE A | T CHASSIS THICKNESS | E    | F   | PACKAGE |
|---------|-----|-----|---------|---------------------|------|-----|---------|
| TDY8-1  | 8.2 | 1.0 | ∅7.0    | 2.7~3.9             | ∅4.0 | 5.1 | 1000    |
| TDY8-1A | 8.3 | 1.0 | ∅7.1    | 0.8~2.1             | ∅3.0 | 3.7 |         |
| TDY8-1C | 8.2 | 1.0 | ∅7.1    | 0.8~2.3             | ∅4.5 | 4.9 |         |







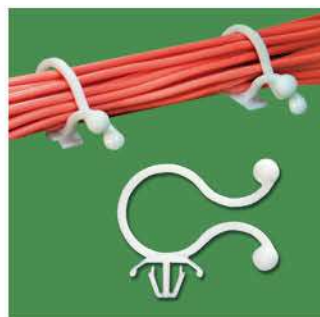
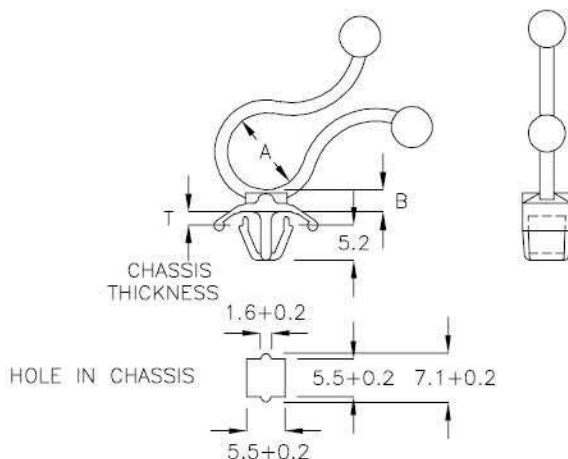
### 隔離束線座 WIRE CLIP

6-121-1

- MATERIAL: NYLON 66(UL)
- FLAME CLASS: 94V-2
- COLOR: NATURAL

Built-In Anti-Spin Function  
WITH LOCK FEATURE

| PART NO | A    | B   | CLOSE A | T<br>CHASSIS THICKNESS | PACKAGE |
|---------|------|-----|---------|------------------------|---------|
| TDY11-3 | 11.0 | 3.2 | ∅9.6    | 0.8~1.2                | 500     |



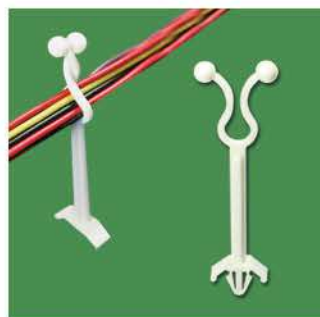
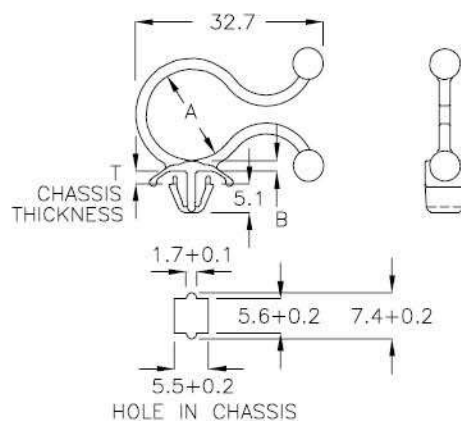
### 隔離束線座 WIRE CLIP

6-121-2

- MATERIAL: NYLON 66(UL)
- FLAME CLASS: 94V-2
- COLOR: NATURAL

Built-In Anti-Spin Function  
WITH LOCK FEATURE

| PART NO  | A    | B   | CLOSE A | T<br>CHASSIS THICKNESS | PACKAGE |
|----------|------|-----|---------|------------------------|---------|
| TDR16-1K | 16.2 | 1.9 | ∅14.5   | 1.2~1.5                | 500     |



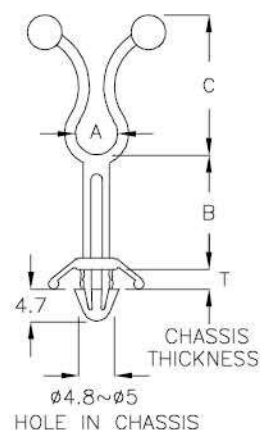
### 隔離束線座 WIRE SADDLE

6-121-3

- MATERIAL: NYLON 66(UL)
- FLAME CLASS: 94V-2
- COLOR: NATURAL

 E154548(S)  
WITH LOCK FEATURE

| PART NO | A   | B    | C    | CLOSE DIA | T<br>CHASSIS THICKNESS | PACKAGE |
|---------|-----|------|------|-----------|------------------------|---------|
| TK6-34  | 6.1 | 34.0 | 20.2 | ∅5.1      | 0.5~2.3                | 500     |

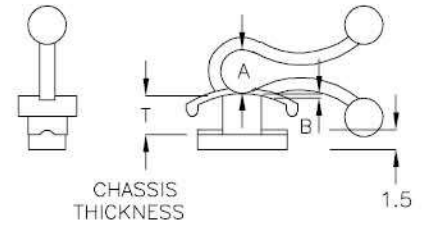




### 隔離束線座 WIRE CLIP

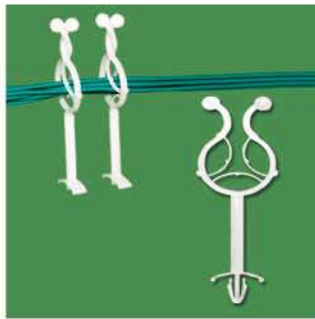
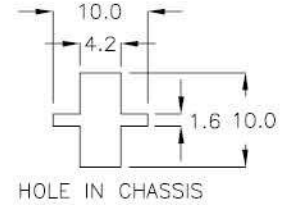
- MATERIAL: NYLON 66(UL)
- FLAME CLASS: 94V-2
- COLOR: NATURAL

6-122-1



Insert With 90 Degree Angle  
And Press Down  
WITH LOCK FEATURE

| PART NO | A   | B    | CLOSE DIA | T<br>CHASSIS THICKNESS | PACKAGE |
|---------|-----|------|-----------|------------------------|---------|
| TEY4-1  | 4.5 | 0.25 | ø3.7      | 2.7~3.7                | 1000    |



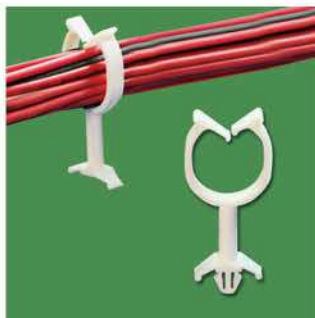
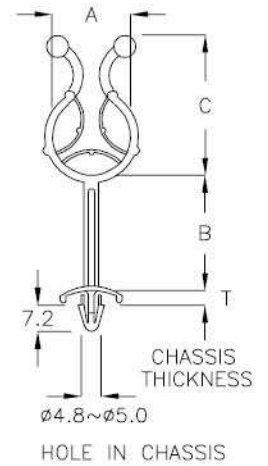
### 隔離束線座 WIRE CLIP

- MATERIAL: NYLON 66(UL)
- FLAME CLASS: 94V-2
- COLOR: NATURAL

6-122-2

WITH LOCK FEATURE

| PART NO | A    | B    | C    | MAX BUNDLE DIA | T<br>CHASSIS THICKNESS | PACKAGE |
|---------|------|------|------|----------------|------------------------|---------|
| TE21-04 | 20.5 | 4.0  | 37.2 | ø14.5          | 1.0~3.1                | 500     |
| TE21-32 | 20.5 | 32.1 | 37.2 | ø14.5          | 1.0~3.1                |         |
| TE21-40 | 20.5 | 40.1 | 37.2 | ø14.5          | 1.0~3.1                |         |

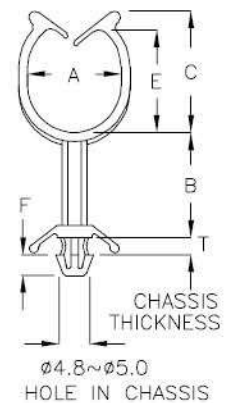


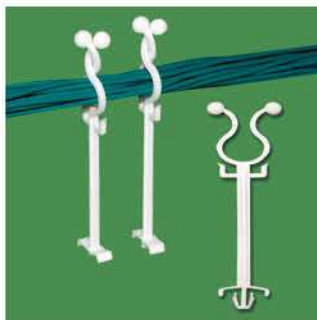
### 隔離束線座 WIRE SADDLE

- MATERIAL: NYLON 66(UL)
- FLAME CLASS: 94V-0
- COLOR: NATURAL

6-122-3

| PART NO | A    | B    | C    | E    | T<br>CHASSIS THICKNESS | F   | PACKAGE |
|---------|------|------|------|------|------------------------|-----|---------|
| TU14-7  | 14.5 | 7.0  | 19.5 | 16.2 | 0.5~2.0                | 3.4 | 500     |
| TU14-12 | 14.8 | 12.0 | 19.5 | 16.7 | 0.5~2.3                | 2.8 |         |
| TU14-17 | 14.8 | 16.8 | 19.5 | 16.2 | 0.5~2.3                | 3.5 |         |
| TU14-25 | 14.8 | 25.0 | 19.5 | 16.2 | 0.5~2.3                | 3.5 |         |
| TU14-27 | 14.8 | 26.8 | 19.5 | 16.2 | 0.5~2.3                | 3.6 |         |
| TU14-37 | 14.8 | 36.8 | 19.5 | 16.2 | 0.5~2.3                | 3.5 |         |

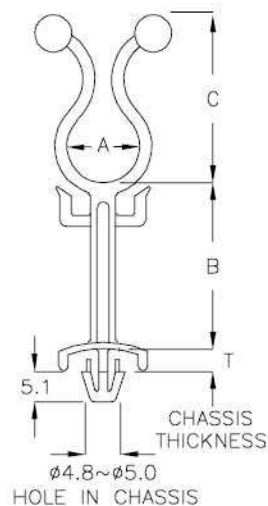




### 隔離束線座 WIRE SADDLE

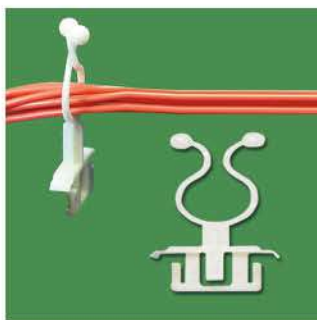
6-123-1

- MATERIAL: NYLON 66(UL)
- FLAME CLASS: 94V-0
- COLOR: NATURAL



WITH LOCK FEATURE

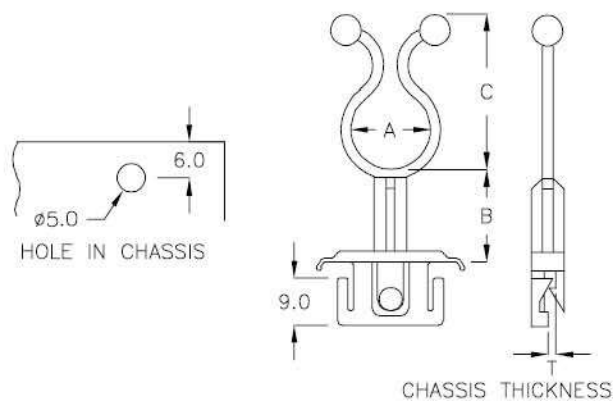
| PART NO | A    | B    | C    | CLOSE DIA | T<br>CHASSIS THICKNESS | PACKAGE |
|---------|------|------|------|-----------|------------------------|---------|
| TX11-52 | 11.8 | 52.5 | 26.6 | ∅10.2     | 0.3~2.5                | 500     |



### 隔離束線座 WIRE SADDLE

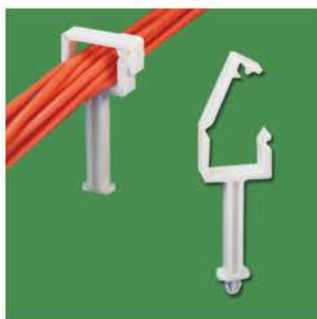
6-123-2

- MATERIAL: NYLON 66(UL)
- FLAME CLASS: 94V-2
- COLOR: NATURAL



WITH LOCK FEATURE

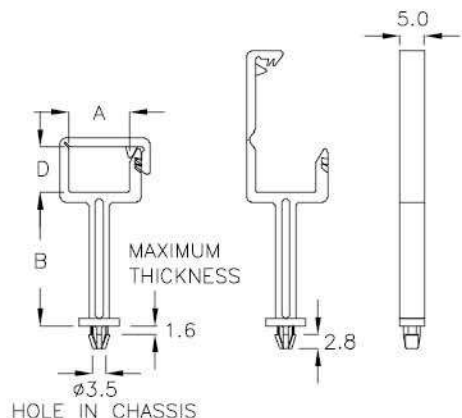
| PART NO  | A    | B    | C    | T<br>CHASSIS THICKNESS | CLOSE DIA | PACKAGE |
|----------|------|------|------|------------------------|-----------|---------|
| TT15-10  | 14.9 | 10.0 | 29.2 | 1.6~2.0                | ∅13.3     | 500     |
| TT15-10A | 14.9 | 10.0 | 29.2 | 2.1~2.5                |           |         |
| TT15-17  | 14.9 | 17.4 | 29.2 | 1.6~2.0                |           |         |



### 隔離束線座 WIRE SADDLE

6-123-3

- MATERIAL: NYLON 66(UL)
- FLAME CLASS: 94V-2
- COLOR: NATURAL



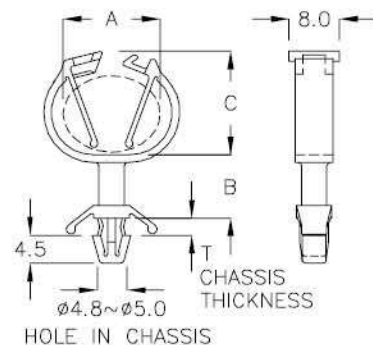
WITH LOCK FEATURE

| PART NO | A    | B    | D   | PACKAGE |
|---------|------|------|-----|---------|
| CHB-26A | 12.1 | 26.7 | 9.1 | 500     |



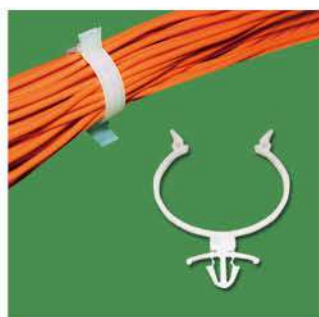
### 隔離束線座 WIRE SADDLE 6-124-1

- MATERIAL: NYLON 66(UL)
- FLAME CLASS: 94V-0
- COLOR: NATURAL



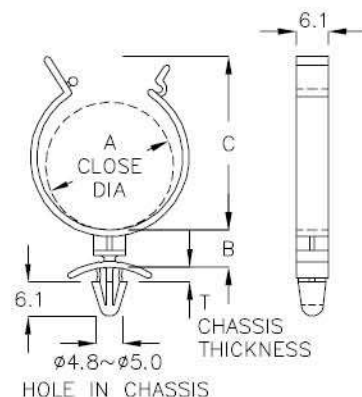
WITH LOCK FEATURE

| PART NO | A<br>SUITABLE<br>BUNDLE DIA | B    | C    | T<br>CHASSIS<br>THICKNESS | PACKAGE |
|---------|-----------------------------|------|------|---------------------------|---------|
| TUT-10  | ø9.0~ø12.5                  | 10.0 | 15.6 | 0.5~2.3                   | 500     |



### 隔離束線座 WIRE SADDLE 6-124-2

- MATERIAL: NYLON 66(UL)
- FLAME CLASS: 94V-2
- COLOR: NATURAL



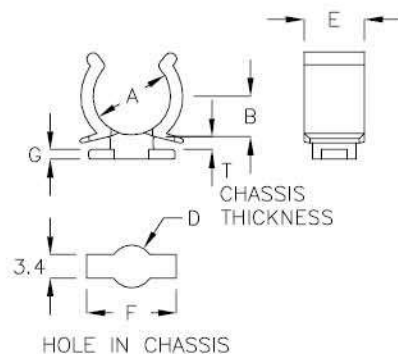
WITH LOCK FEATURE

| PART NO | A<br>CLOSE<br>DIA | B    | C    | T<br>CHASSIS<br>THICKNESS | PACKAGE |
|---------|-------------------|------|------|---------------------------|---------|
| TC20-6  | ø20.5             | 6.55 | 29.7 | 0.8~2.0                   | 200     |



### 電線固定座 WIRE MOUNT 6-124-3

- MATERIAL: NYLON 66(UL)
- FLAME CLASS: 94V-2
- COLOR: BLACK



Insert With 90 Degree Angle  
And Press Down

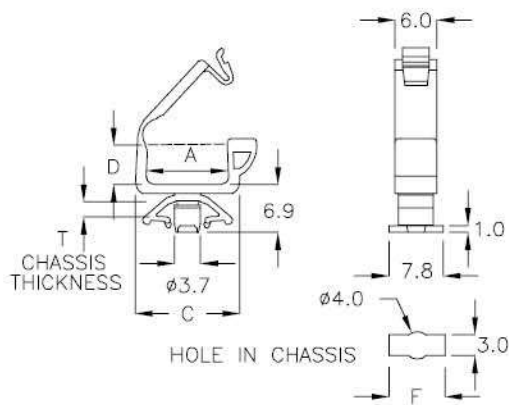
| PART NO | A     | B   | D<br>HOLE IN<br>CHASSIS | E   | F    | G    | T<br>CHASSIS<br>THICKNESS | PACKAGE |
|---------|-------|-----|-------------------------|-----|------|------|---------------------------|---------|
| CHQ-03  | ø3.1  | 3.2 | ø4.2                    | 5.6 | 10.1 | 1.3  | 1.2                       | 2000    |
| CHQ-07  | ø7.3  | 4.2 | ø5.2                    | 7.0 | 10.4 | 1.3  | 1.2                       |         |
| CHQ-08  | ø7.9  | 4.3 | ø5.2                    | 7.0 | 10.4 | 1.3  | 1.2                       |         |
| CHQ-9   | ø8.5  | 4.7 | ø5.2                    | 7.0 | 10.4 | 1.05 | 1.2                       | 1000    |
| CHQ-11  | ø10.7 | 5.3 | ø5.2                    | 7.0 | 10.4 | 1.3  | 1.3                       |         |



隔離束線座 WIRE SADDLE

6-125-1

- MATERIAL: NYLON 66(UL)
- FLAME CLASS: 94V-2
- COLOR: NATURAL



INSERT WITH 90 DEGREE ANGLE  
AND PRESS DOWN  
WITH LOCK FEATURE

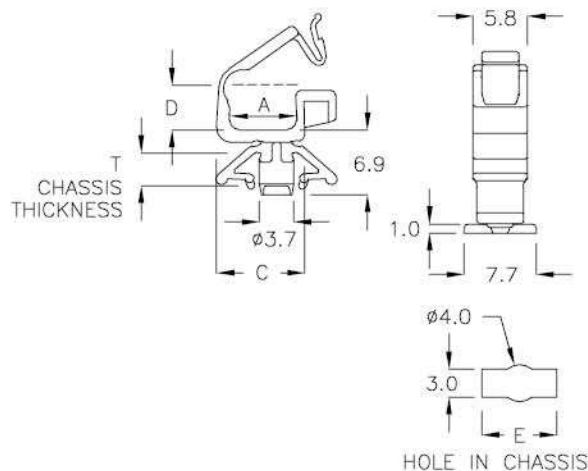
| PART NO | A    | C    | D    | E   | T CHASSIS THICKNESS | PACKAGE |
|---------|------|------|------|-----|---------------------|---------|
| CKB-7A  | 11.0 | 15.0 | 7.0  | 8.2 | 1.6                 | 500     |
| CKB-10A | 16.0 | 19.8 | 10.0 | 8.0 | 0.8                 |         |



隔離束線座 WIRE SADDLE

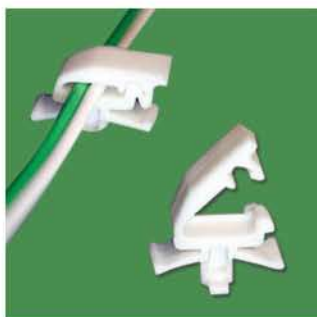
6-125-2

- MATERIAL: NYLON 66(UL)
- FLAME CLASS: 94V-2
- COLOR: NATURAL



INSERT WITH 90 DEGREE ANGLE  
AND PRESS DOWN  
WITH LOCK FEATURE

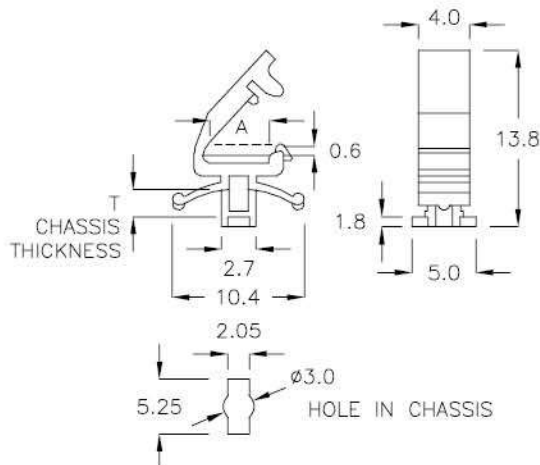
| PART NO | A   | C   | D   | E   | T CHASSIS THICKNESS | PACKAGE |
|---------|-----|-----|-----|-----|---------------------|---------|
| CKB-4JH | 7.2 | 9.4 | 4.8 | 8.0 | 1.0~1.6             | 1000    |



隔離束線座 WIRE SADDLE

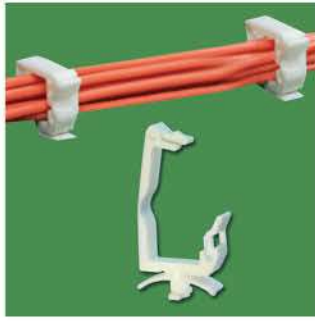
6-125-3

- MATERIAL: NYLON 66(UL)
- FLAME CLASS: 94V-2
- COLOR: NATURAL



INSERT WITH 90 DEGREE ANGLE  
AND PRESS DOWN  
WITH LOCK FEATURE

| PART NO | A   | T CHASSIS THICKNESS | PACKAGE |
|---------|-----|---------------------|---------|
| CKA-2A  | 4.0 | 1.0                 | 2000    |



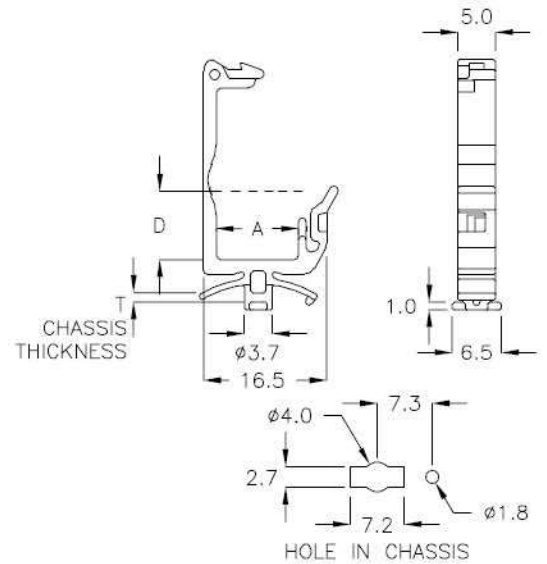
### 隔離束線座 WIRE SADDLE

6-126-1

- MATERIAL: NYLON 66(UL)
- FLAME CLASS: 94V-2
- COLOR: NATURAL

INSERT WITH 90 DEGREE ANGLE  
AND PRESS DOWN  
WITH LOCK FEATURE

| PART NO | A    | D   | T<br>CHASSIS<br>THICKNESS | PACKAGE |
|---------|------|-----|---------------------------|---------|
| CKN-11Y | 10.9 | 9.2 | 0.8~1.6                   | 500     |



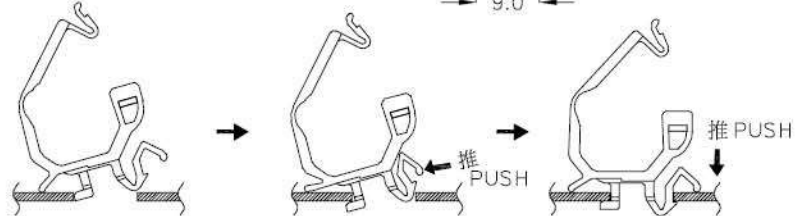
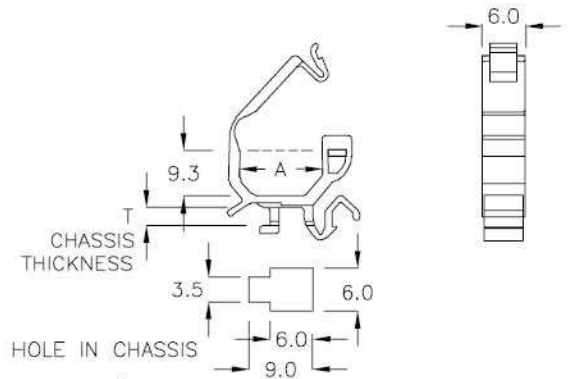
### 電線固定座 WIRE MOUNT

6-126-2

- MATERIAL: NYLON 66(UL)
- FLAME CLASS: 94V-2
- COLOR: NATURAL

WITH LOCK FEATURE

| PART NO | A    | T<br>CHASSIS<br>THICKNESS | PACKAGE |
|---------|------|---------------------------|---------|
| CKX-11A | 11.8 | 1.2~1.6                   | 500     |



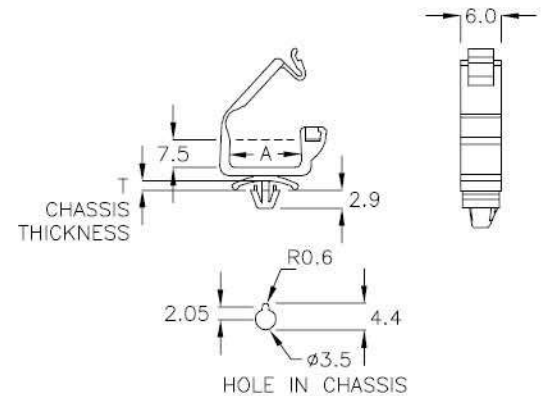
### 電線固定座 WIRE MOUNT

6-126-3

- MATERIAL: NYLON 66(UL)
- FLAME CLASS: 94V-2
- COLOR: NATURAL

Build-In Anti-Spin Function  
WITH LOCK FEATURE

| PART NO | A    | T<br>CHASSIS<br>THICKNESS | PACKAGE |
|---------|------|---------------------------|---------|
| CKY-11A | 11.9 | 0.8~1.0                   | 500     |





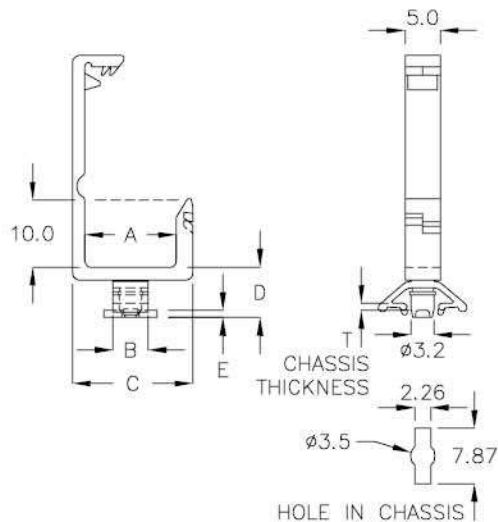
隔離束線座 WIRE SADDLE

6-127-1

- MATERIAL: NYLON 66(UL)
- FLAME CLASS: 94V-2
- COLOR: NATURAL, BLACK

Insert With 90 Degree Angle  
And Press Down  
WITH LOCK FEATURE

| PART NO | A    | B   | C    | D    | E   | T<br>CHASSIS<br>THICKNESS | PACKAGE |
|---------|------|-----|------|------|-----|---------------------------|---------|
| CMG-10  | 13.0 | 5.0 | 17.2 | 7.15 | 1.0 | 0.6~1.0                   | 500     |
| CMG-24J | 24.0 | 9.0 | 28.2 | 7.35 | 1.2 | 0.8~1.0                   |         |



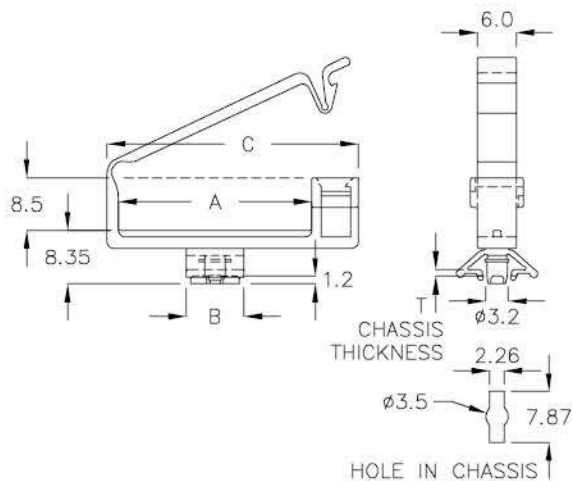
隔離束線座 WIRE SADDLE

6-127-2

- MATERIAL: NYLON 66(UL)
- FLAME CLASS: 94V-2
- COLOR: BLACK

Insert With 90 Degree Angle  
And Press Down  
WITH LOCK FEATURE

| PART NO | A    | B   | C    | T<br>CHASSIS<br>THICKNESS | PACKAGE |
|---------|------|-----|------|---------------------------|---------|
| CMGA-30 | 30.0 | 9.0 | 39.1 | 0.8~1.0                   | 200     |

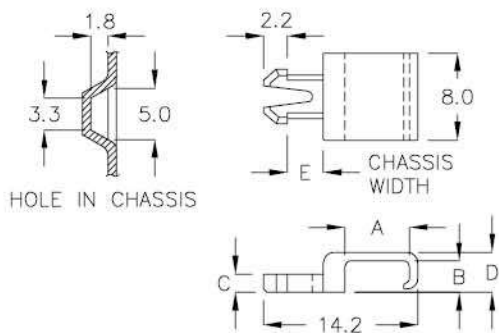


電線固定座 WIRE MOUNT

6-127-3

- MATERIAL: NYLON 66(UL)
- FLAME CLASS: 94V-2
- COLOR: NATURAL

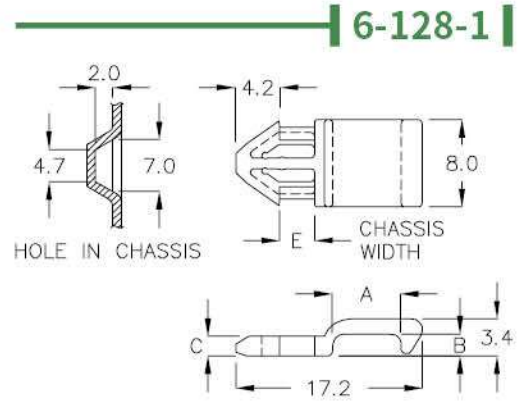
| PART NO | A   | B   | C   | D   | E<br>CHASSIS<br>WIDTH | PACKAGE |
|---------|-----|-----|-----|-----|-----------------------|---------|
| CKT-1A  | 5.9 | 2.9 | 1.7 | 3.7 | 3.1                   | 1000    |
| CKT-1C  | 5.9 | 2.7 | 1.7 | 3.5 | 3.1                   |         |





### 電線固定座 WIRE MOUNT

- MATERIAL: NYLON 66(UL)
- FLAME CLASS: 94V-2
- COLOR: NATURAL

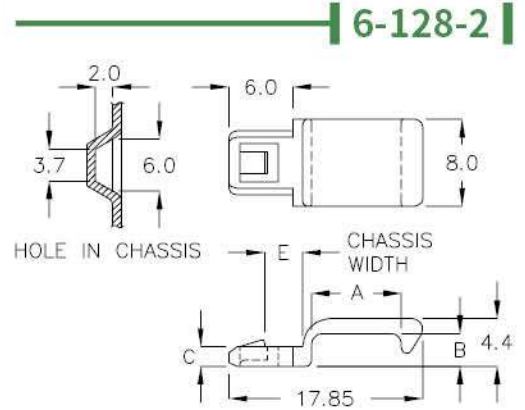


| PART NO | A   | B   | C   | E<br>CHASSIS<br>WIDTH | PACKAGE |
|---------|-----|-----|-----|-----------------------|---------|
| CKT-03  | 6.3 | 2.0 | 1.8 | 3.0                   | 1000    |



### 電線固定座 WIRE MOUNT

- MATERIAL: NYLON 66(UL)
- FLAME CLASS: 94V-2
- COLOR: NATURAL

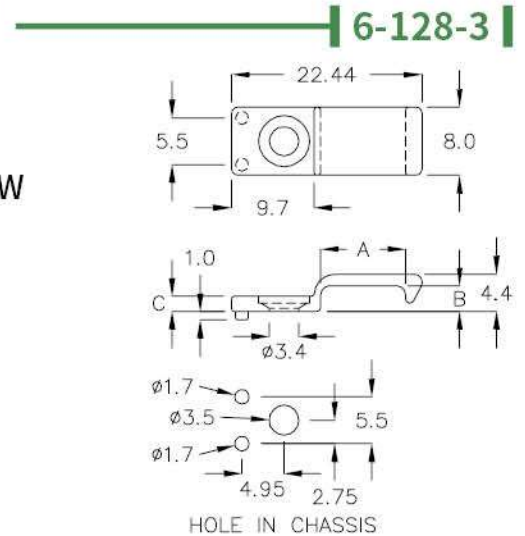


| PART NO | A   | B   | C   | E<br>CHASSIS<br>WIDTH | PACKAGE |
|---------|-----|-----|-----|-----------------------|---------|
| CKT-04  | 8.3 | 3.0 | 1.8 | 3.0                   | 1000    |



### 電線固定座 WIRE MOUNT

- MATERIAL: NYLON 66(UL)
- FLAME CLASS: 94V-0
- COLOR: BLACK
- WITH M3 COUNTERSUNK SCREW

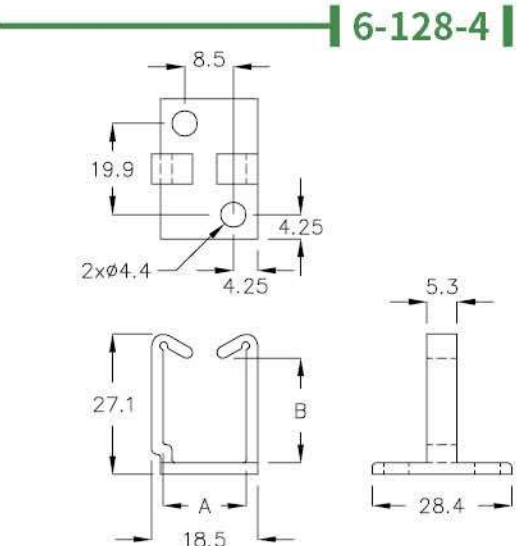


| PART NO | A    | B   | C   | PACKAGE |
|---------|------|-----|-----|---------|
| CKTW-10 | 10.0 | 3.0 | 1.8 | 1000    |



### 隔離束線座 WIRE SADDLE

- MATERIAL: NYLON 66(UL)
- FLAME CLASS: 94V-0
- COLOR: BLACK
- WITH M4 SCREW



| PART NO   | A    | B    | PACKAGE |
|-----------|------|------|---------|
| ★ ABP-13C | 14.5 | 20.9 | 200     |

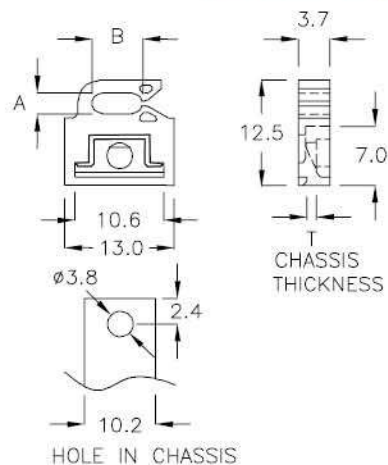




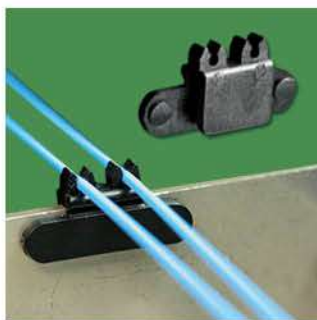
### 隔離束線座 WIRE SADDLE

- MATERIAL: NYLON 66(UL)
- FLAME CLASS: 94V-2
- COLOR: BLACK

6-129-1



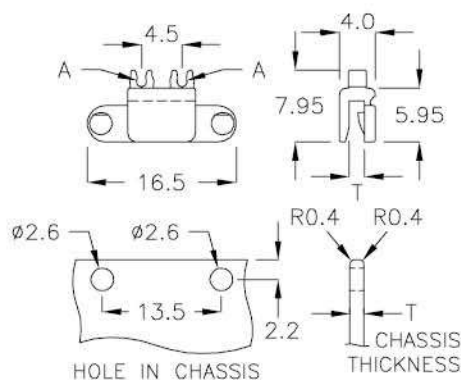
| PART NO | A   | B   | T<br>CHASSIS<br>THICKNESS | PACKAGE |
|---------|-----|-----|---------------------------|---------|
| CTR-01  | 2.5 | 6.0 | 1.2~1.3                   | 2000    |



### 隔離束線座 WIRE SADDLE

- MATERIAL: NYLON 66(UL)
- FLAME CLASS: 94V-2
- COLOR: BLACK

6-129-2



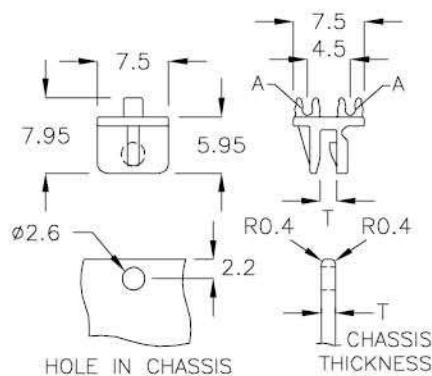
| PART NO | A    | T<br>CHASSIS<br>THICKNESS | PACKAGE |
|---------|------|---------------------------|---------|
| CMM-1AS | φ1.1 | 1.6                       | 1000    |



### 隔離束線座 WIRE SADDLE

- MATERIAL: NYLON 66(UL)
- FLAME CLASS: 94V-2
- COLOR: NATURAL

6-129-3



| PART NO | A    | T<br>CHASSIS<br>THICKNESS | PACKAGE |
|---------|------|---------------------------|---------|
| CMQ-1TJ | φ1.1 | 1.6                       | 2000    |

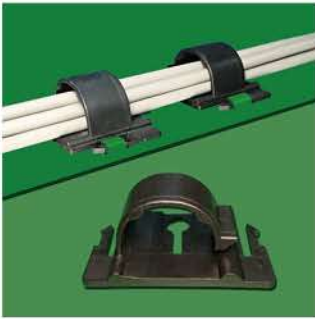
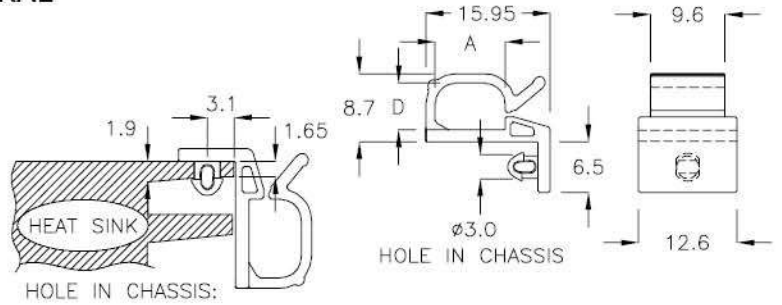


電線固定座 WIRE MOUNT

6-130-1

- MATERIAL: NYLON 66(UL)
- FLAME CLASS: 94V-2
- COLOR: NATURAL

| PART NO | A   | D   | PACKAGE |
|---------|-----|-----|---------|
| FAM-16  | 9.0 | 6.0 | 500     |

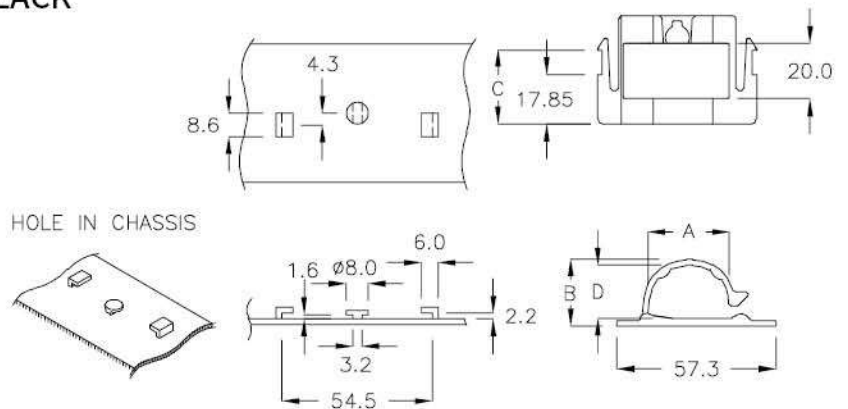


電線固定座 WIRE MOUNT

6-130-2

- MATERIAL: NYLON 66(UL)
- FLAME CLASS: 94V-2
- COLOR: BLACK

| PART NO | A    | B    | C    | D    | PACKAGE |
|---------|------|------|------|------|---------|
| FWJ-01  | 28.6 | 24.0 | 26.5 | 19.1 | 100     |

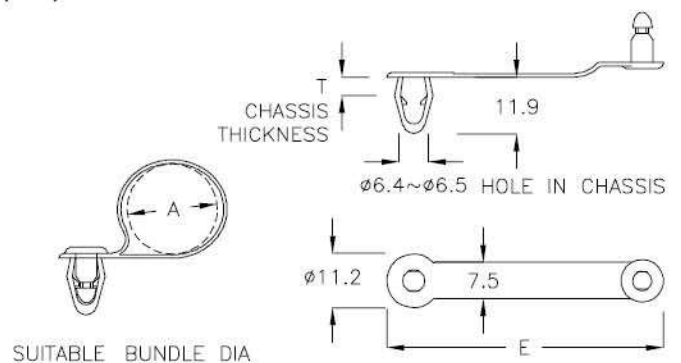


電線固定座 WIRE MOUNT

6-130-3

- MATERIAL: NYLON 66(UL)
- FLAME CLASS: 94V-2
- COLOR: NATURAL

| PART NO | A<br>SUITABLE<br>BUNDLE DIA | E    | T<br>CHASSIS<br>THICKNESS | PACKAGE |
|---------|-----------------------------|------|---------------------------|---------|
| PDT-06  | ø5.0~ø6.5                   | 47.6 | 0.8~2.4                   | 500     |
| PDT-08  | ø7.0~ø8.5                   | 53.6 | 0.8~2.4                   |         |
| PDT-10  | ø9.5~ø11.0                  | 57.3 | 0.8~2.4                   |         |

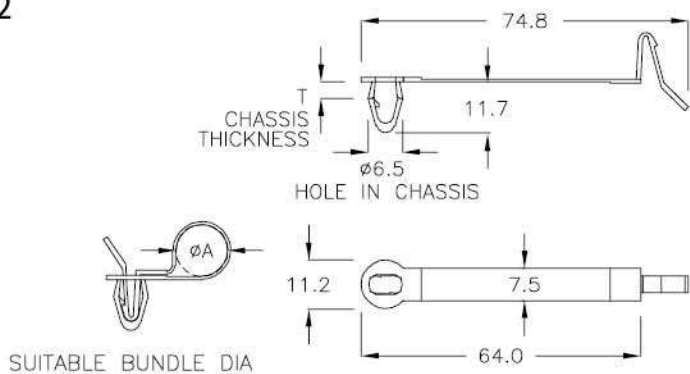




電線固定座 WIRE MOUNT ————— | 6-131-1 |

- MATERIAL: NYLON 66(UL)
- FLAME CLASS: 94V-2
- COLOR: NATURAL

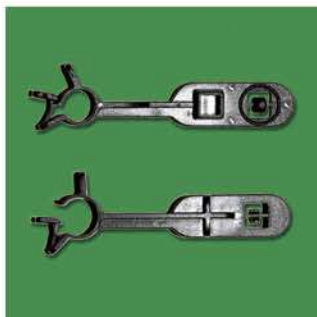
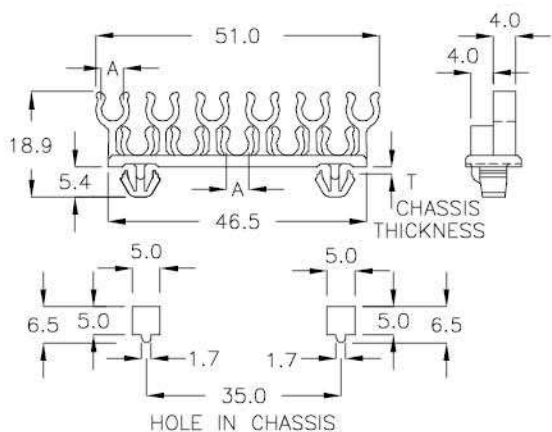
| PART NO | A<br>SUITABLE<br>BUNDLE DIA | T<br>CHASSIS<br>THICKNESS | PACKAGE |
|---------|-----------------------------|---------------------------|---------|
| PDT-1A  | ø13.0                       | 0.8~2.4                   | 100     |



隔離束線座 WIRE SADDLE ————— | 6-131-2 |

- MATERIAL: POM
- FLAME CLASS: 94HB
- COLOR: NATURAL

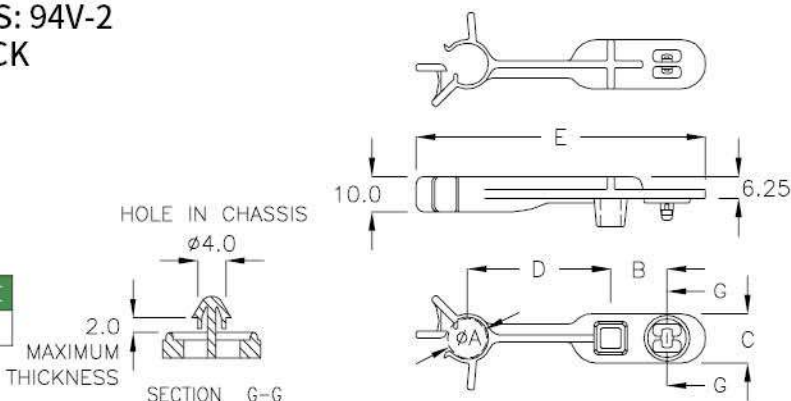
| PART NO | A   | T<br>CHASSIS<br>THICKNESS | PACKAGE |
|---------|-----|---------------------------|---------|
| CTX-46K | 4.0 | 1.0~1.5                   | 200     |



隔離束線座 WIRE SADDLE ————— | 6-131-3 |

- MATERIAL: NYLON 66(UL)
- FLAME CLASS: 94V-2
- COLOR: BLACK

| PART NO | A   | B    | C    | D    | E    | PACKAGE |
|---------|-----|------|------|------|------|---------|
| FLA-50  | 9.6 | 16.0 | 14.0 | 40.3 | 82.3 | 100     |



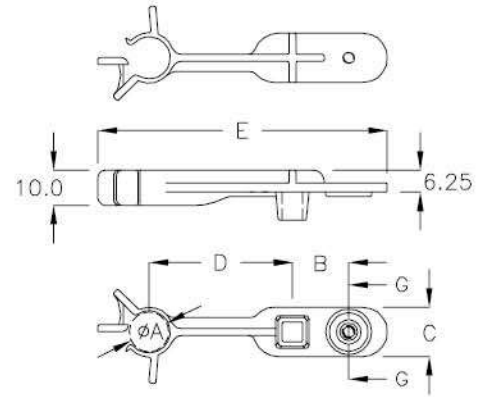
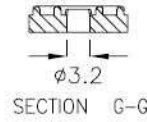


### 隔離束線座 WIRE SADDLE

6-132-1

- MATERIAL: NYLON 66(UL)
- FLAME CLASS: 94V-2
- COLOR: BLACK

| PART NO | A   | B    | C    | D    | E    | PACKAGE |
|---------|-----|------|------|------|------|---------|
| FLA-50A | 9.6 | 16.0 | 14.0 | 40.3 | 82.3 | 100     |



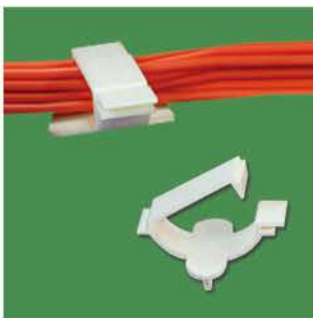
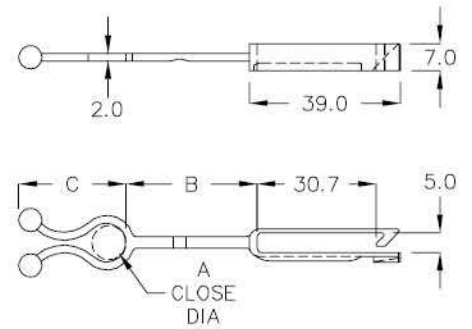
### 電線固定夾 WIRE CLIP

6-132-2

- MATERIAL: NYLON 66(UL)
- FLAME CLASS: 94V-2
- COLOR: NATURAL

WITH LOCK FEATURE

| PART NO | A<br>CLOSE<br>DIA | B    | C    | PACKAGE |
|---------|-------------------|------|------|---------|
| CXT-10  | ø8.8              | 33.6 | 27.8 | 100     |



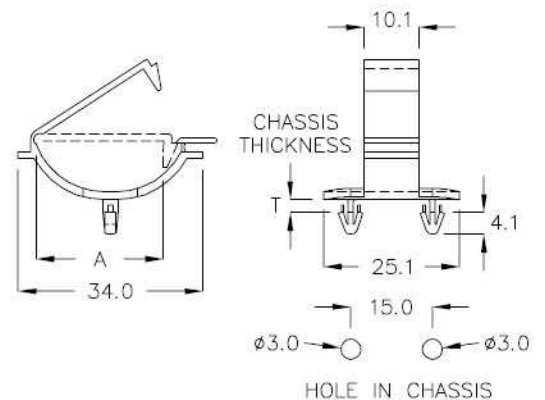
### 隔離束線座 WIRE MOUNT

6-132-3

- MATERIAL: NYLON 66(UL)
- FLAME CLASS: 94V-2
- COLOR: NATURAL

WITH LOCK FEATURE

| PART NO | A    | T<br>CHASSIS<br>THICKNESS | PACKAGE |
|---------|------|---------------------------|---------|
| CKK-02  | 22.8 | 1.8~2.0                   | 500     |

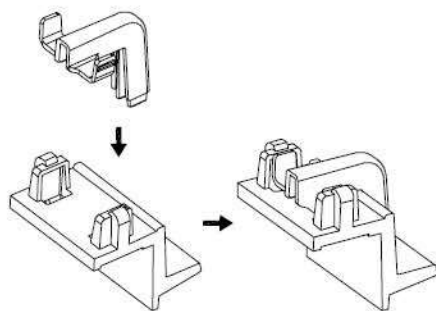




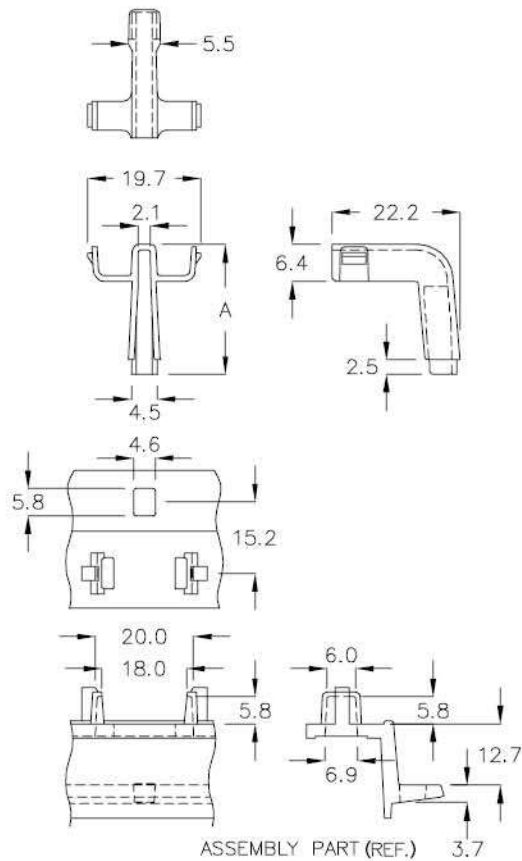
### 理線座 WIRE MOUNT

- MATERIAL: NYLON 66(UL)
- FLAME CLASS: 94V-2
- COLOR: BLACK

| PART NO | A    | PACKAGE |
|---------|------|---------|
| DFA-22C | 22.5 | 500     |



組裝方式



### 電線固定座 WIRE MOUNT

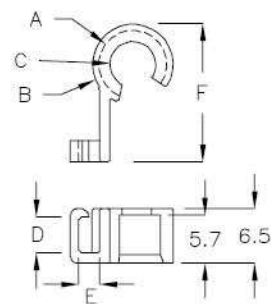
- MATERIAL: NYLON 66(UL)
- FLAME CLASS: 94V-0
- COLOR: BLACK



FORM.1



FORM.2



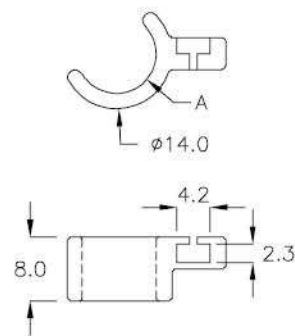
| PART NO | A     | B     | C    | D   | E   | F    | FORM | PACKAGE |
|---------|-------|-------|------|-----|-----|------|------|---------|
| KYK-08  | ø8.1  | ø9.7  | ø5.5 | 4.3 | 2.5 | 16.5 | 1    | 1000    |
| KYK-10A | ø10.1 | ø11.9 | ø7.7 | 4.3 | 2.5 | 17.6 | 1    |         |
| KYK-11  | ø10.1 | ø11.9 | ø7.7 | 4.3 | 2.5 | 17.6 | 2    |         |
| KYK-14D | ø12.1 | ø14.1 | ø9.7 | 4.3 | 2.5 | 20.7 | 2    |         |



### 電線固定座 WIRE MOUNT

- MATERIAL: NYLON 66(UL)
- FLAME CLASS: 94V-0
- COLOR: NATURAL

| PART NO  | A     | PACKAGE |
|----------|-------|---------|
| KYC-10RM | ø10.0 | 1000    |

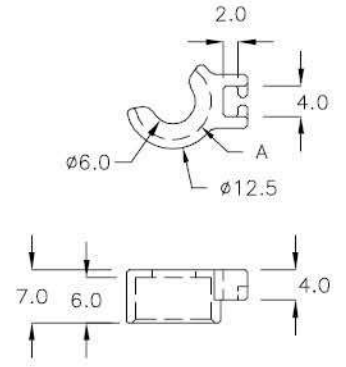




電線固定座 WIRE MOUNT

- MATERIAL: NYLON 66(UL)
- FLAME CLASS: 94V-0
- COLOR: NATURAL

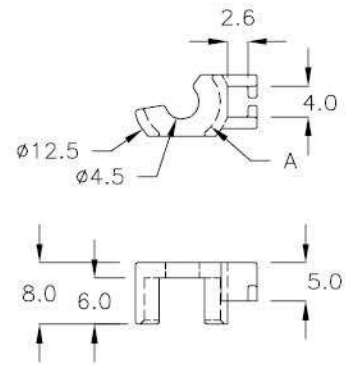
| PART NO | A     | PACKAGE |
|---------|-------|---------|
| KYF-10  | ø10.1 | 1000    |



電線固定座 WIRE MOUNT

- MATERIAL: NYLON 66(UL)
- FLAME CLASS: 94V-0
- COLOR: NATURAL

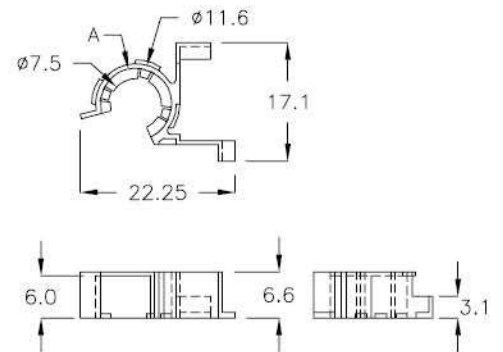
| PART NO  | A     | PACKAGE |
|----------|-------|---------|
| KYF-10BQ | ø10.0 | 1000    |



電線固定座 WIRE MOUNT

- MATERIAL: NYLON 66(UL)
- FLAME CLASS: 94V-0
- COLOR: BLACK

| PART NO  | A     | PACKAGE |
|----------|-------|---------|
| KYM-10TP | ø10.4 | 1000    |

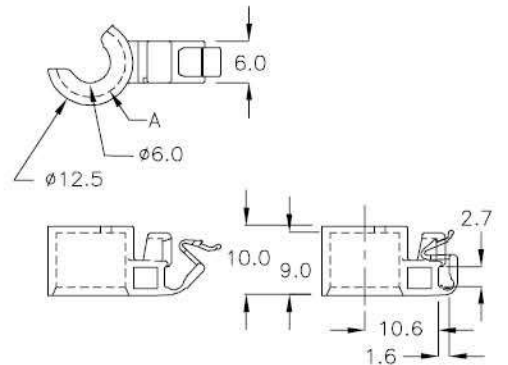


電線固定座 WIRE MOUNT

- MATERIAL: NYLON 66(UL)
- FLAME CLASS: 94V-0
- COLOR: NATURAL

WITH LOCK FEATURE

| PART NO | A     | PACKAGE |
|---------|-------|---------|
| KYR-10C | ø10.1 | 1000    |





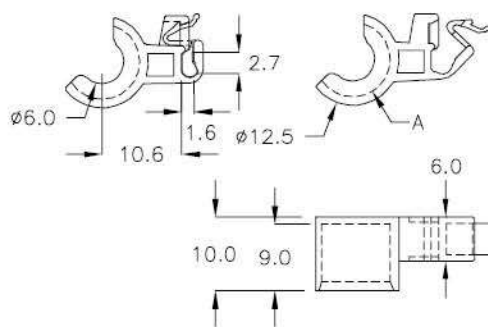
電線固定座 WIRE MOUNT

6-135-1

- MATERIAL: NYLON 66(UL)
- FLAME CLASS: 94V-0
- COLOR: NATURAL

WITH LOCK FEATURE

| PART NO  | A     | PACKAGE |
|----------|-------|---------|
| KYR-10DA | ø10.1 | 1000    |



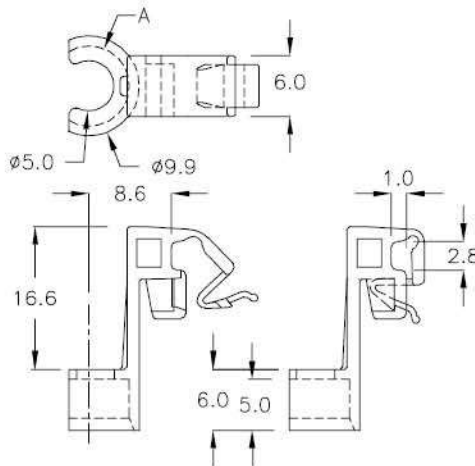
電線固定座 WIRE MOUNT

6-135-2

- MATERIAL: NYLON 66(UL)
- FLAME CLASS: 94V-0
- COLOR: NATURAL

WITH LOCK FEATURE

| PART NO | A    | PACKAGE |
|---------|------|---------|
| KYT-08  | ø7.9 | 1000    |



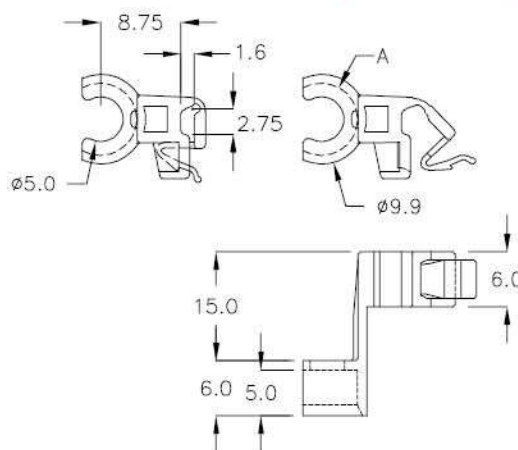
電線固定座 WIRE MOUNT

6-135-3

- MATERIAL: NYLON 66(UL)
- FLAME CLASS: 94V-0
- COLOR: NATURAL

WITH LOCK FEATURE

| PART NO | A    | PACKAGE |
|---------|------|---------|
| KYT-8MY | ø7.9 | 1000    |



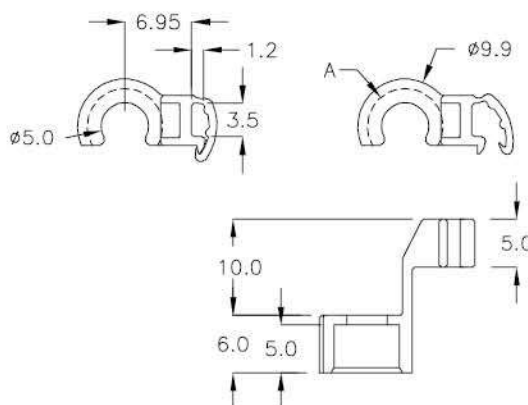
電線固定座 WIRE MOUNT

6-135-4

- MATERIAL: NYLON 66(UL)
- FLAME CLASS: 94V-0
- COLOR: NATURAL

WITH LOCK FEATURE

| PART NO | A    | PACKAGE |
|---------|------|---------|
| KYW-8HL | ø7.9 | 1000    |





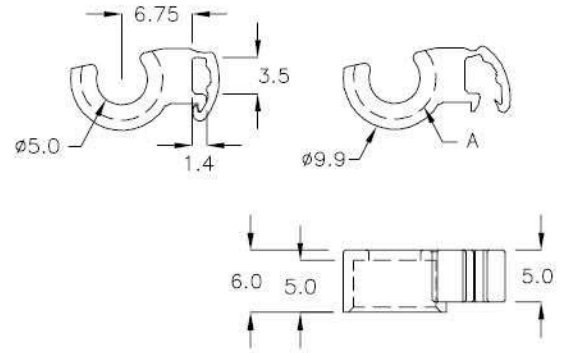
### 電線固定座 WIRE MOUNT

6-136-1

- MATERIAL: NYLON 66(UL)
- FLAME CLASS: 94V-0
- COLOR: NATURAL

WITH LOCK FEATURE

| PART NO | A    | PACKAGE |
|---------|------|---------|
| KYH-08  | ø7.9 | 1000    |

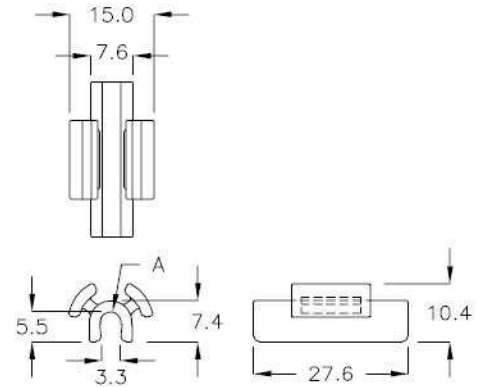


### 隔離束線座 WIRE SADDLE

6-136-2

- MATERIAL: PP(UL)
- FLAME CLASS: 94V-0
- COLOR: BLACK

| PART NO | A    | PACKAGE |
|---------|------|---------|
| CIM-27A | ø3.8 | 1000    |

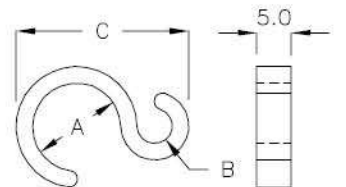


### 電線固定扣 WIRE MOUNT

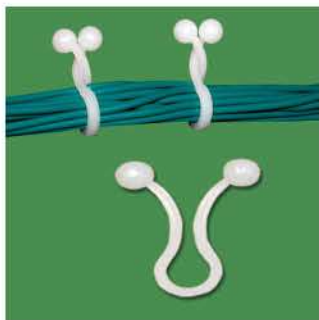
6-136-3

- MATERIAL: NYLON 66(UL)
- FLAME CLASS: 94V-0
- COLOR: NATURAL

| PART NO | A     | B    | C     | PACKAGE |
|---------|-------|------|-------|---------|
| CHST-25 | ø12.7 | ø5.0 | 25.07 | 500     |
| CHST-28 | ø15.7 | ø5.0 | 28.1  |         |



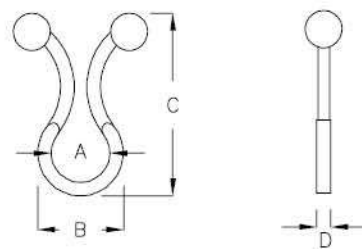




電線固定環 TWIST LOCK

6-137-1

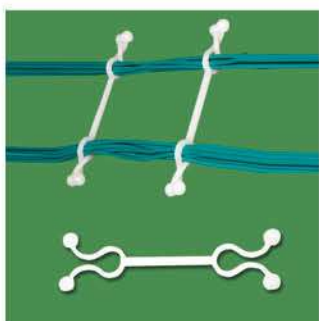
- MATERIAL: NYLON 66(UL)
- FLAME CLASS: 94V-2
- COLOR: NATURAL



E154548(S)

WITH LOCK FEATURE

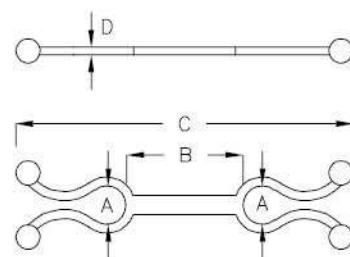
| PART NO | A    | B    | C     | D    | CLOSE DIA | UL | PACKAGE |
|---------|------|------|-------|------|-----------|----|---------|
| A-3DS   | 3.9  | 6.3  | 14.5  | 1.3  | ø3.0      |    | 1000    |
| A-4A    | 4.4  | 7.2  | 14.95 | 1.6  | ø3.5      |    |         |
| A-5KA   | 5.3  | 8.7  | 18.05 | 1.65 | ø4.2      |    |         |
| A-5     | 5.0  | 8.5  | 22.0  | 1.8  | ø4.2      |    |         |
| A-8     | 8.3  | 12.0 | 26.2  | 2.3  | ø7.0      | UL |         |
| A-11    | 11.1 | 15.2 | 30.0  | 2.3  | ø9.7      |    |         |
| A-13    | 13.2 | 17.2 | 32.5  | 2.3  | ø11.5     |    |         |
| A-14A   | 14.7 | 18.7 | 35.0  | 2.0  | ø13.2     |    |         |
| A-15    | 14.8 | 18.8 | 32.6  | 2.4  | ø13.0     |    |         |
| A-15A   | 15.0 | 19.0 | 33.7  | 1.8  | ø14.0     |    |         |
| A-18    | 19.2 | 23.3 | 38.5  | 2.0  | ø16.3     | UL | 500     |
| A-19    | 18.9 | 22.9 | 35.0  | 2.2  | ø17.3     |    |         |
| A-22    | 22.0 | 27.5 | 42.0  | 2.0  | ø20.0     | UL |         |
| A-25    | 25.0 | 29.7 | 44.8  | 2.35 | ø23.0     |    |         |
| A-28    | 29.0 | 33.5 | 55.5  | 2.0  | ø26.8     |    |         |
| A-30    | 29.6 | 33.7 | 55.5  | 2.0  | ø27.0     |    |         |



電線固定環 TWIST LOCK

6-137-2

- MATERIAL: NYLON 66(UL)
- FLAME CLASS: 94V-2
- COLOR: NATURAL, BLACK



E154548(S)

WITH LOCK FEATURE

| PART NO | A    | B    | C     | D   | CLOSE DIA | UL | PACKAGE |
|---------|------|------|-------|-----|-----------|----|---------|
| 2A-7    | 7.0  | 32.7 | 73.8  | 1.9 | ø5.9      | UL | 500     |
| 2A-7L   | 7.0  | 60.0 | 101.5 | 2.0 | ø5.8      |    |         |
| 2A-8    | 8.0  | 10.2 | 56.5  | 1.9 | ø6.5      | UL |         |
| 2A-10   | 10.0 | 30.4 | 82.2  | 2.0 | ø8.6      |    |         |
| 2A-10A  | 10.0 | 30.0 | 82.2  | 3.0 | ø8.6      |    | 200     |
| 2A-13S  | 14.8 | 85.0 | 147.8 | 2.0 | ø12.2     |    |         |

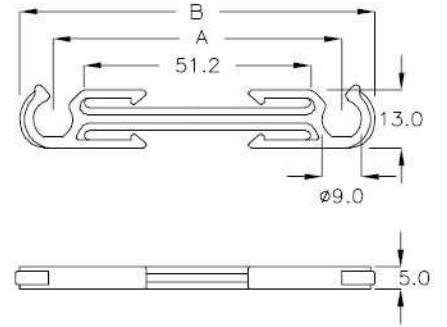


### 隔離束線座 WIRE SADDLE

6-138-1

- MATERIAL: PP
- COLOR: BLACK

| PART NO | A    | B    | PACKAGE |
|---------|------|------|---------|
| CHA-01  | 65.0 | 80.0 | 200     |

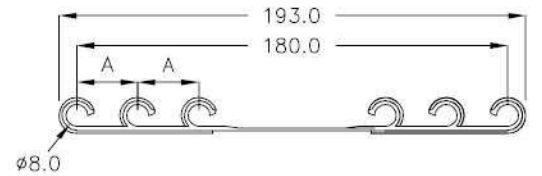


### 電線固定座 WIRE MOUNT

6-138-2

- MATERIAL: PP
- COLOR: NATURAL

| PART NO | A    | PACKAGE |
|---------|------|---------|
| 6FW-11  | 22.0 | 100     |



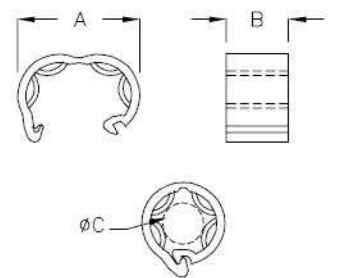
### 光纖固定座 FIBER HOUSING

6-138-3

- MATERIAL: NYLON 66(UL)
- FLAME CLASS: 94V-2
- COLOR: NATURAL

WITH LOCK FEATURE

| PART NO | A    | B   | C<br>SUITABLE<br>CABLE DIA | PACKAGE |
|---------|------|-----|----------------------------|---------|
| CKR-01  | 11.5 | 6.0 | ø4.0 ~ ø4.2                | 1000    |





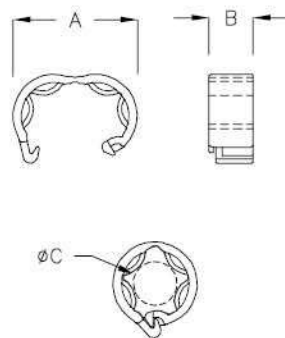
### 光纖固定座 FIBER HOUSING

6-139-1

- MATERIAL: NYLON 66(UL)
- FLAME CLASS: 94V-2
- COLOR: NATURAL

WITH LOCK FEATURE

| PART NO | A    | B   | C<br>SUITABLE<br>CABLE DIA | PACKAGE |
|---------|------|-----|----------------------------|---------|
| CKR-02  | 15.0 | 5.3 | φ5.3 ~ φ5.5                | 1000    |
| CKR-3A  | 16.1 | 5.3 | φ5.8 ~ φ6.0                |         |



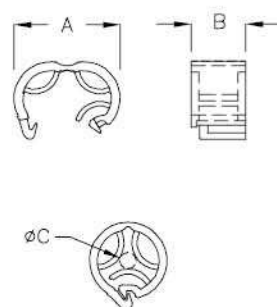
### 光纖固定座 FIBER HOUSING

6-139-2

- MATERIAL: NYLON 66(UL)
- FLAME CLASS: 94V-2
- COLOR: NATURAL

WITH LOCK FEATURE

| PART NO | A    | B   | C<br>SUITABLE<br>CABLE DIA | PACKAGE |
|---------|------|-----|----------------------------|---------|
| CKR-1P  | 10.5 | 5.3 | φ1.5~φ1.7                  | 1000    |



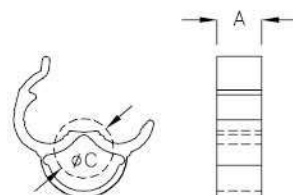
### 電線固定座 TIE MOUNT

6-139-3

- MATERIAL: NYLON 66(UL)
- FLAME CLASS: 94V-2
- COLOR: NATURAL

WITH LOCK FEATURE

| PART NO | A   | C<br>SUITABLE<br>CABLE DIA | PACKAGE |
|---------|-----|----------------------------|---------|
| CHH-01  | 8.0 | φ8.6 ~ φ8.8                | 500     |
| CHH-02  | 6.5 | φ5.0 ~ φ5.2                | 1000    |
| CHH-03  | 6.5 | φ6.0 ~ φ6.2                |         |
| CHH-04  | 8.0 | φ7.0 ~ φ7.2                | 500     |



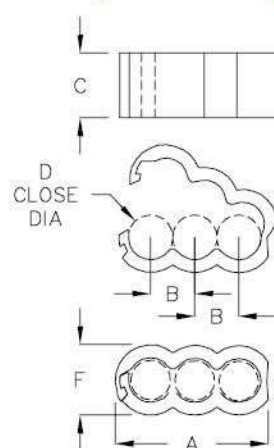
### 線夾 TUBE BINDER

6-139-4

- MATERIAL: NYLON 66(UL)
- FLAME CLASS: 94V-2
- COLOR: BLACK

WITH LOCK FEATURE

| PART NO | A    | B   | C   | D<br>CLOSE<br>DIA | F   | PACKAGE |
|---------|------|-----|-----|-------------------|-----|---------|
| FCM-20  | 14.2 | 4.1 | 6.0 | φ4.0              | 6.9 | 1000    |
| FCM-20C | 8.9  | 2.3 | 5.0 | φ2.0              | 4.0 |         |





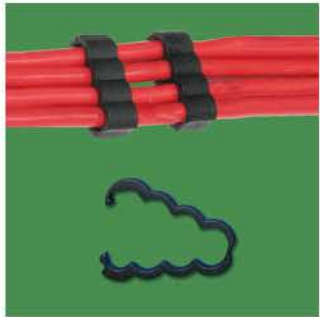
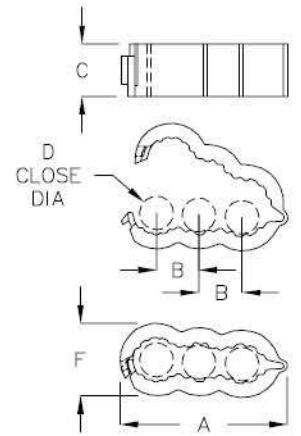
### 線夾 TUBE BINDER

6-140-1

- MATERIAL: NYLON 66(UL)
- FLAME CLASS: 94V-2
- COLOR: BLACK

WITH LOCK FEATURE

| PART NO | A    | B    | C   | D CLOSE DIA | F    | PACKAGE |
|---------|------|------|-----|-------------|------|---------|
| FQC-17B | 19.1 | 7.15 | 6.0 | ø4.6        | 8.5  | 1000    |
| FQC-22D | 25.8 | 7.15 | 6.0 | ø6.7        | 11.2 |         |



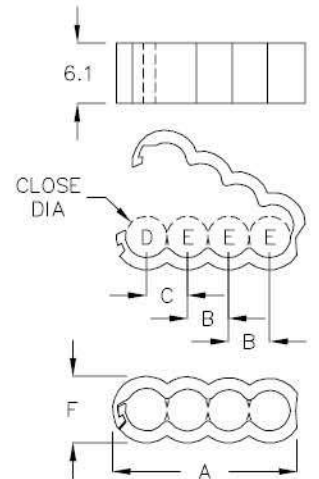
### 線夾 TUBE BINDER

6-140-2

- MATERIAL: NYLON 66(UL)
- FLAME CLASS: 94V-2
- COLOR: BLACK

WITH LOCK FEATURE

| PART NO | A    | B   | C    | D CLOSE DIA | E CLOSE DIA | F   | PACKAGE |
|---------|------|-----|------|-------------|-------------|-----|---------|
| FCM-20A | 18.4 | 4.1 | 4.1  | ø4.2        | ø4.2        | 7.1 | 1000    |
| FCM-20F | 22.9 | 5.1 | 5.1  | ø5.2        | ø5.2        | 8.3 |         |
| FCM-20H | 26.5 | 6.2 | 5.55 | ø4.9        | ø6.2        | 9.2 |         |



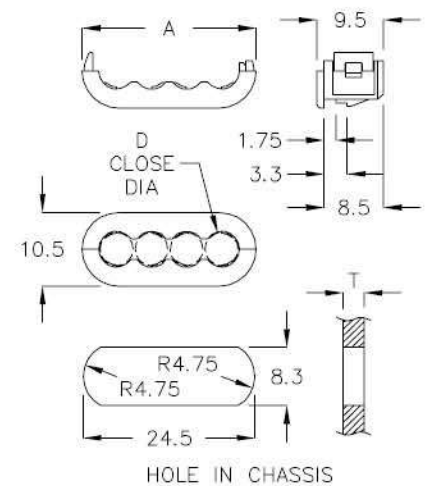
### 線夾 TUBE BINDER

6-140-3

- MATERIAL: NYLON 66(UL)
- FLAME CLASS: 94V-2
- COLOR: BLACK

WITH LOCK FEATURE

| PART NO | A    | D CLOSE DIA | T CHASSIS THICKNESS | PACKAGE |
|---------|------|-------------|---------------------|---------|
| FCH-24A | 24.8 | ø4.7~ø5.0   | 1.5 or 3.0          | 500     |

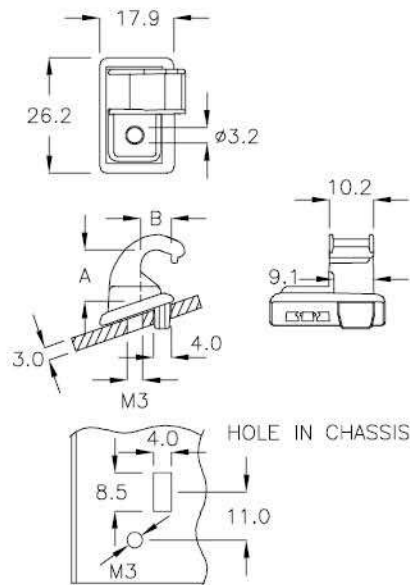




電線固定板 CABLE CLAMP ————— | 6-141-1 |

- MATERIAL: NYLON 66(UL)
- FLAME CLASS: 94V-2
- COLOR: NATURAL

| PART NO | A    | B   | PACKAGE |
|---------|------|-----|---------|
| BAR-01  | 11.6 | 7.0 | 100     |

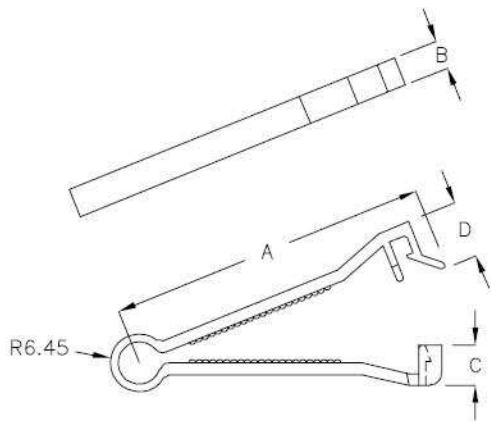


排線固定板 FLAT CABLE CLAMP ————— | 6-141-2 |

- MATERIAL: NYLON 66(UL)
- FLAME CLASS: 94V-2
- COLOR: NATURAL

WITH LOCK FEATURE

| PART NO | A     | B   | C   | D    | SUITABLE CABLE | PACKAGE |
|---------|-------|-----|-----|------|----------------|---------|
| FCM-35A | 70.55 | 6.4 | 8.9 | 12.5 | 40 PIN         | 200     |

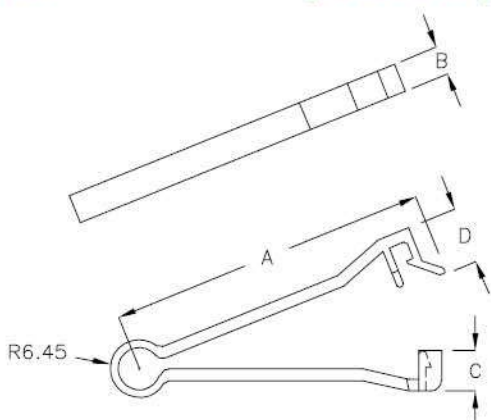


排線固定板 FLAT CABLE CLAMP ————— | 6-141-3 |

- MATERIAL: NYLON 66(UL)
- FLAME CLASS: 94V-2
- COLOR: NATURAL

WITH LOCK FEATURE

| PART NO | A     | B   | C   | D    | SUITABLE CABLE | PACKAGE |
|---------|-------|-----|-----|------|----------------|---------|
| FCM-35S | 62.55 | 6.4 | 8.9 | 12.5 | 30 PIN         | 200     |
| FCM-35  | 70.55 | 6.4 | 8.9 | 12.5 | 40 PIN         |         |
| FCM-35M | 97.65 | 7.9 | 8.9 | 12.7 | 60 PIN         | 100     |

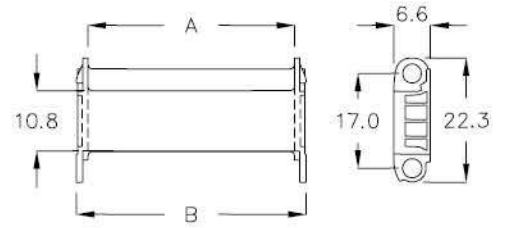




### 隔離束線座 WIRE SADDLE

6-142-1

- MATERIAL: NYLON 66+25%FRP
- FLAME CLASS: 94V-0
- COLOR: BLACK



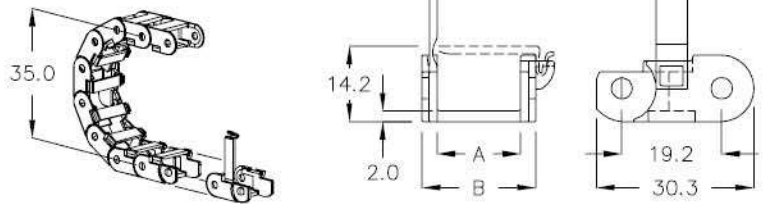
| PART NO | A    | B    | PACKAGE |
|---------|------|------|---------|
| DFK-38A | 38.0 | 42.0 | 500     |



### 塑膠拖鏈 CABLE CARRIER

6-142-2

- MATERIAL: NYLON 66(UL)
- FLAME CLASS: 94V-2
- COLOR: BLACK



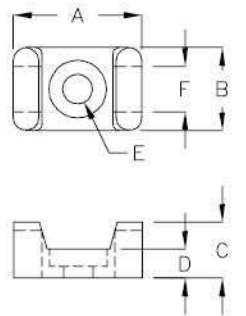
| PART NO  | A    | B    | PACKAGE |
|----------|------|------|---------|
| DFG-16BL | 16.0 | 22.5 | 200     |



### 電線固定座 WIRE SADDLE

6-142-3

- MATERIAL: NYLON 66(UL)
- FLAME CLASS: 94V-2
- COLOR: NATURAL



| PART NO | A    | B    | C   | D   | E     | F    | ASSEMBLE WITH P.G. PART   | PACKAGE |
|---------|------|------|-----|-----|-------|------|---|---------|
| AB-1S   | 12.8 | 7.0  | 5.8 | 3.0 | ø3.3  | 4.1  | YJ-80, YJ-90<br>YJ-98, YJ-100, YJ-120<br>YJ-142, YJ-142S, YJ-156<br>YJ-160, YJ-203, YJ-203S                           | 1000    |
| AB-1    | 15.3 | 9.9  | 6.6 | 3.4 | ø3.5  | 5.2  | YJ-80, YJ-90<br>YJ-98, YJ-100, YJ-115<br>YJ-120, YJ-140, YJ-142<br>YJ-142S, YJ-156, YJ-160<br>YJ-203, YJ-203S, YJ-205 | 1000    |
| AB-1L   | 23.0 | 15.9 | 9.7 | 5.0 | ø6.55 | 8.25 |   | 500     |

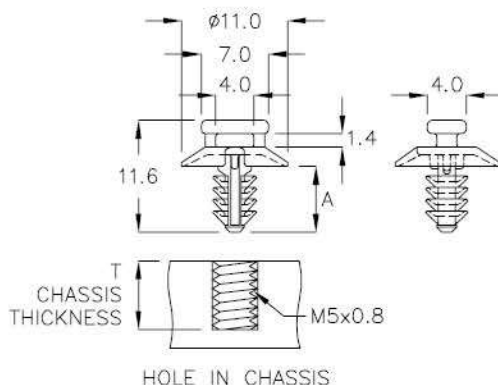
ASSEMBLE WITH P.G PART YJ-SERIES (Page 12-2)  
MUST BE ASSEMBLED WITH CABLE TIE, WIDTH UP TO 3.6 or 4.8mm



### 電線固定座 WIRE SADDLE

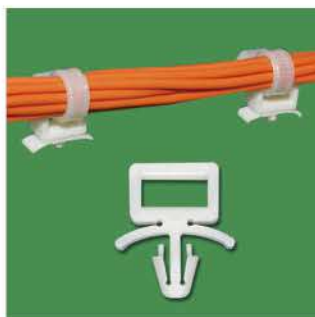
6-143-1

- MATERIAL: NYLON 66(UL)
- FLAME CLASS: 94V-2
- COLOR: BLACK



| PART NO  | A   | T<br>CHASSIS<br>THICKNESS | ASSEMBLE<br>WITH P.G. PART  | PACKAGE |
|----------|-----|---------------------------|---|---------|
| MBDG-11C | 6.8 | 7.5~8.5                   | YJ-80, YJ-90, YJ-98<br>YJ-100, YJ-120, YJ-142S<br>YJ-160, YJ-203S | 500     |

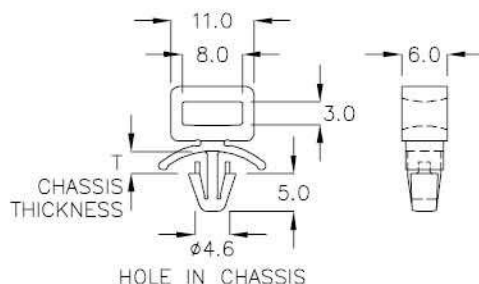
ASSEMBLE WITH P.G. PART YJ-SERIES (Page 12-2-1)  
MUST BE ASSEMBLED WITH CABLE TIE, WIDTH UP TO 3.6mm



### 電線固定座 CABLE SADDLE

6-143-2

- MATERIAL: NYLON 66(UL)
- FLAME CLASS: 94V-2
- COLOR: NATURAL



| PART NO | T<br>CHASSIS<br>THICKNESS | ASSEMBLE<br>WITH P.G. PART  | PACKAGE |
|---------|---------------------------|---|---------|
| YLC-16T | 0.8~2.0                   | YJ-80, YJ-90, YJ-98, YJ-100<br>YJ-115, YJ-120, YJ-140, YJ-142<br>YJ-142S, YJ-156, YJ-160<br>YJ-203, YJ-203S, YJ-205 | 500     |

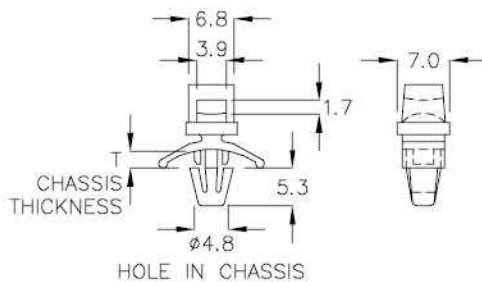
ASSEMBLE WITH P.G. PART YJ-SERIES (Page 12-2)  
MUST BE ASSEMBLED WITH CABLE TIE, WIDTH UP TO 4.8mm



### 電線固定座 CABLE SADDLE

6-143-3

- MATERIAL: NYLON 66(UL)
- FLAME CLASS: 94V-2
- COLOR: NATURAL



| PART NO | T<br>CHASSIS<br>THICKNESS | ASSEMBLE<br>WITH P.G. PART  | PACKAGE |
|---------|---------------------------|---|---------|
| YL-1    | 0.8~2.0                   | YJ-80, YJ-90, YJ-98<br>YJ-100, YJ-120, YJ-142<br>YJ-142S, YJ-156, YJ-160<br>YJ-203, YJ-203S | 1000    |

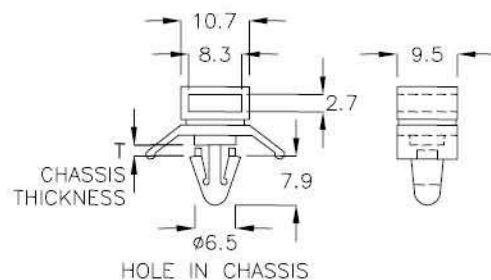
ASSEMBLE WITH P.G. PART YJ-SERIES (Page 12-2)  
MUST BE ASSEMBLED WITH CABLE TIE, WIDTH UP TO 3.6mm



## 電線固定座 CABLE SADDLE

6-144-1

- MATERIAL: NYLON 66(UL)
- FLAME CLASS: 94V-2
- COLOR: NATURAL



| PART NO | T<br>CHASSIS<br>THICKNESS | ASSEMBLE<br>WITH P.G. PART  | PACKAGE |
|---------|---------------------------|---|---------|
| YL-06   | 1.6                       | YJ-80, YJ-90, YJ-98, YJ-100<br>YJ-115, YJ-120, YJ-140, YJ-142<br>YJ-142S, YJ-156, YJ-160<br>YJ-203, YJ-203S, YJ-205 | 500     |

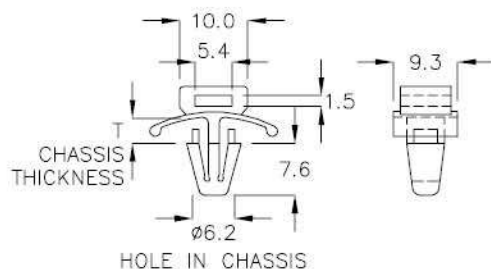
ASSEMBLE WITH P.G. PART YJ-SERIES (Page 12-2)  
MUST BE ASSEMBLED WITH CABLE TIE, WIDTH UP TO 4.8mm



## 電線固定座 CABLE SADDLE

6-144-2

- MATERIAL: NYLON 66(UL)
- FLAME CLASS: 94V-2
- COLOR: NATURAL



| PART NO | T<br>CHASSIS<br>THICKNESS | ASSEMBLE<br>WITH P.G. PART  | PACKAGE |
|---------|---------------------------|---|---------|
| YLA-01  | 3.2                       | YJ-80, YJ-90, YJ-98<br>YJ-100, YJ-115, YJ-120<br>YJ-142S, YJ-156, YJ-160<br>YJ-203S, YJ-205 | 500     |

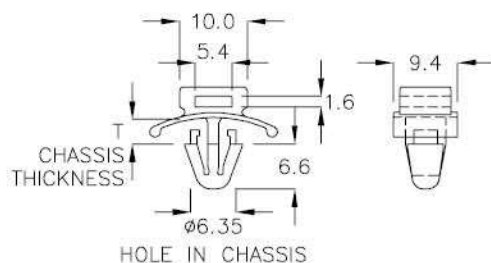
ASSEMBLE WITH P.G. PART YJ-SERIES (Page 12-2)  
MUST BE ASSEMBLED WITH CABLE TIE, WIDTH UP TO 4.8mm



## 電線固定座 CABLE SADDLE

6-144-3

- MATERIAL: NYLON 66(UL)
- FLAME CLASS: 94V-2
- COLOR: NATURAL



| PART NO | T<br>CHASSIS<br>THICKNESS | ASSEMBLE<br>WITH P.G. PART  | PACKAGE |
|---------|---------------------------|---|---------|
| YLB-1J  | 1.2~2.5                   | YJ-80, YJ-90, YJ-98, YJ-100<br>YJ-115, YJ-120, YJ-140, YJ-142<br>YJ-142S, YJ-156, YJ-160<br>YJ-203, YJ-203S, YJ-205 | 500     |

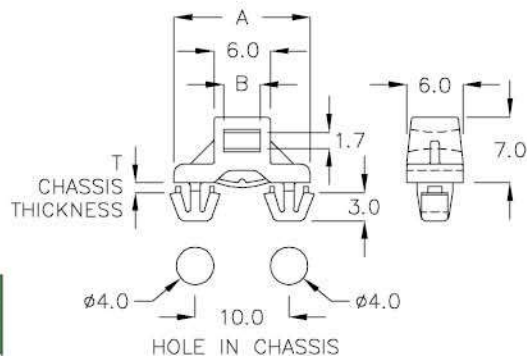
ASSEMBLE WITH P.G. PART YJ-SERIES (Page 12-2)  
MUST BE ASSEMBLED WITH CABLE TIE, WIDTH UP TO 4.8mm





電線固定座 CABLE SADDLE 6-145-1

- MATERIAL: NYLON 66(UL)
- FLAME CLASS: 94V-0
- COLOR: NATURAL



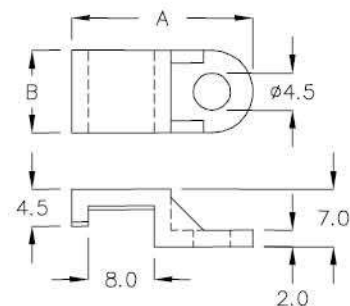
| PART NO  | A    | B   | T<br>CHASSIS<br>THICKNESS | ASSEMBLE<br>WITH P.G. PART                    | PACKAGE |
|----------|------|-----|---------------------------|---|---------|
| YLF-14BR | 14.5 | 3.9 | 0.8                       | YJ-80, YJ-90, YJ-98<br>YJ-100, YJ-120, YJ-142 | 500     |
| YLF-14AJ | 14.5 | 3.9 | 3.0                       | YJ-142S, YJ-156, YJ-160<br>YJ-203, YJ-203S    |         |

ASSEMBLE WITH P.G PART YJ-SERIES (Page 12-2)  
MUST BE ASSEMBLED WITH CABLE TIE, WIDTH UP TO 3.6mm



電線固定座 CABLE SADDLE 6-145-2

- MATERIAL: NYLON 66(UL)
- FLAME CLASS: 94V-2
- COLOR: NATURAL



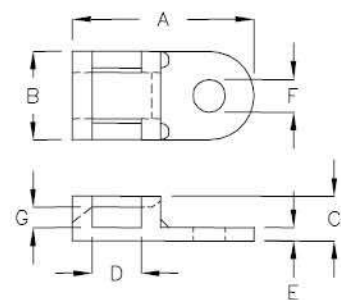
| PART NO | A    | B    | ASSEMBLE<br>WITH P.G. PART  | PACKAGE |
|---------|------|------|---|---------|
| YL-5    | 22.0 | 10.0 | YJ-80, YJ-90, YJ-98, YJ-100<br>YJ-115, YJ-120, YJ-140, YJ-142<br>YJ-142S, YJ-156, YJ-160<br>YJ-203, YJ-203S, YJ-205 | 1000    |

ASSEMBLE WITH P.G PART YJ-SERIES (Page 12-2)  
MUST BE ASSEMBLED WITH CABLE TIE, WIDTH UP TO 4.8mm



電線固定座 CABLE SADDLE 6-145-3

- MATERIAL: NYLON 66(UL)
- FLAME CLASS: 94V-2
- COLOR: NATURAL



| PART NO | A     | B    | C   | D    | E   | F    | G   | ASSEMBLE<br>WITH P.G. PART                        | PACKAGE |
|---------|-------|------|-----|------|-----|------|-----|---|---------|
| YL-3    | 19.5  | 9.5  | 4.8 | 5.3  | 1.4 | ∅3.5 | 2.2 | YJ-80, YJ-90, YJ-98<br>YJ-100, YJ-115, YJ-120     | 1000    |
| YL-03A  | 19.05 | 9.65 | 5.1 | 5.05 | 1.6 | ∅4.5 | 2.0 | YJ-140, YJ-142, YJ-142S<br>YJ-156, YJ-160, YJ-203 |         |
| YL-3MC  | 21.0  | 11.5 | 5.2 | 5.3  | 1.8 | ∅5.2 | 2.0 | YJ-203S, YJ-205                                   |         |

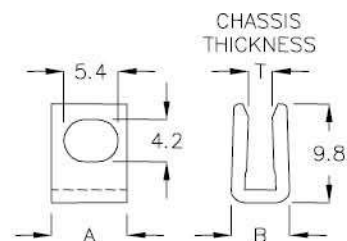
ASSEMBLE WITH P.G PART YJ-SERIES (Page 12-2)  
MUST BE ASSEMBLED WITH CABLE TIE, WIDTH UP TO 4.8mm



### 護線套 EDGING

6-146-1

- MATERIAL: NYLON 66(UL)
- FLAME CLASS: 94V-2
- COLOR: NATURAL



| PART NO | A   | B   | T<br>CHASSIS<br>THICKNESS | ASSEMBLE<br>WITH P.G. PART  | PACKAGE |
|---------|-----|-----|---------------------------|---|---------|
| UTF-7A  | 7.5 | 5.8 | 3.0                       | YJ-80, YJ-90, YJ-98, YJ-100<br>YJ-115, YJ-120, YJ-140, YJ-142<br>YJ-142S, YJ-156, YJ-160<br>YJ-203, YJ-203S, YJ-205 | 1000    |

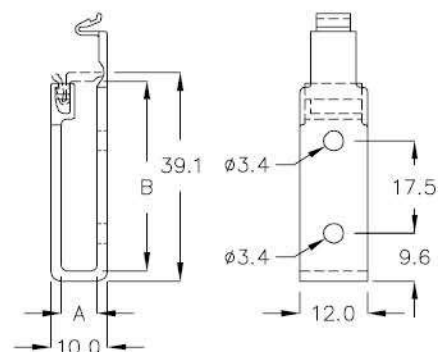
ASSEMBLE WITH P.G PART YJ-SERIES (Page 12-2)  
MUST BE ASSEMBLED WITH CABLE TIE, WIDTH UP TO 4.8mm



### 隔離束線座 WIRE SADDLE

6-146-2

- MATERIAL: NYLON 66(UL)
- FLAME CLASS: 94V-2
- COLOR: NATURAL



WITH LOCK FEATURE

| PART NO | A   | B    | ASSEMBLE<br>WITH P.G. PART  | PACKAGE |
|---------|-----|------|---|---------|
| CZD-39A | 6.4 | 35.8 | YJ-80, YJ-90, YJ-98<br>YJ-100, YJ-120, YJ-142S<br>YJ-160, YJ-203S | 100     |

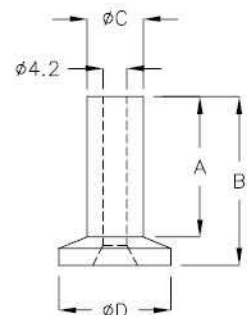
ASSEMBLE WITH P.G PART YJ-SERIES (Page 12-2-1)  
MUST BE ASSEMBLED WITH CABLE TIE, WIDTH UP TO 2.6mm



### 固定座 MOUNT

6-146-3

- MATERIAL: NYLON 66(UL)
- FLAME CLASS: 94V-2
- COLOR: BLACK



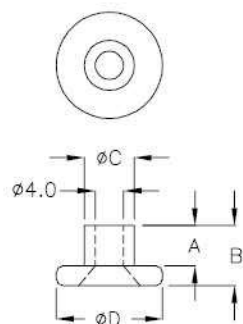
| PART NO | A    | B    | C    | D    | PACKAGE |
|---------|------|------|------|------|---------|
| FWK-23  | 23.0 | 28.0 | 9.8  | 19.6 | 200     |
| FWK-25  | 25.0 | 30.0 | 10.0 | 20.0 |         |
| FWK-27  | 27.5 | 32.5 | 9.8  | 19.6 |         |



### 固定座 MOUNT

6-147-1

- MATERIAL: NYLON 66(UL)
- FLAME CLASS: 94V-2
- COLOR: BLACK



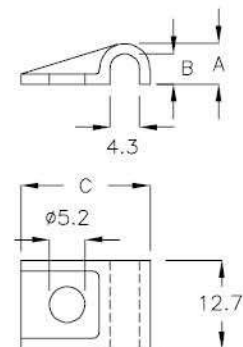
| PART NO | A   | B   | C   | D    | PACKAGE |
|---------|-----|-----|-----|------|---------|
| FWK-08  | 5.7 | 8.4 | 7.0 | 14.9 | 500     |



### 電線固定板 WIRE CLAMP

6-147-2

- MATERIAL: NYLON 66(UL)
- FLAME CLASS: 94V-2
- COLOR: NATURAL



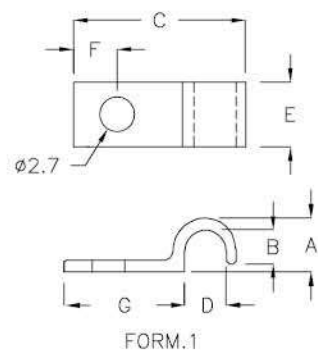
| PART NO | A   | B   | C    | PACKAGE |
|---------|-----|-----|------|---------|
| FSA-01  | 5.9 | 4.4 | 18.6 | 500     |



### 壓線固定板 WIRE CLAMP

6-147-3

- MATERIAL: NYLON 66(UL)
- FLAME CLASS: 94V-2
- COLOR: NATURAL



此產品亦可貼背膠  
OPTIONAL WITH ADHESIVE TAPE ON BASE

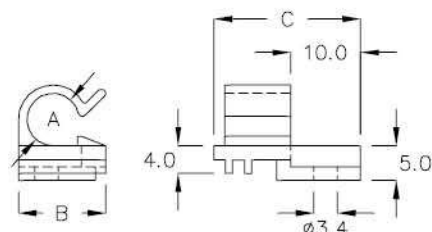
| PART NO  | A   | B   | C    | D   | E    | F   | G    | FORM | PACKAGE |
|----------|-----|-----|------|-----|------|-----|------|------|---------|
| FSK-5A   | 3.0 | 1.8 | 12.8 | 2.0 | 5.0  | 5.0 | 10.0 | 1    | 1000    |
| FSK-08   | 4.5 | 3.2 | 14.3 | 3.5 | 8.0  | 3.7 | 10.0 | 2    |         |
| FSK-10   | 5.5 | 4.1 | 15.3 | 4.5 | 10.0 | 3.7 | 10.0 | 2    | 500     |
| FSK-10RP | 6.5 | 5.0 | 16.0 | 5.5 | 10.0 | 3.0 | 9.3  | 2    |         |
| FSK-10KM | 7.5 | 5.9 | 17.0 | 6.5 | 10.0 | 3.0 | 9.3  | 2    |         |



### 隔離束線座 WIRE SADDLE

6-147-4

- MATERIAL: NYLON 66(UL)
- FLAME CLASS: 94V-2
- COLOR: NATURAL
- WITH M3 SCREW



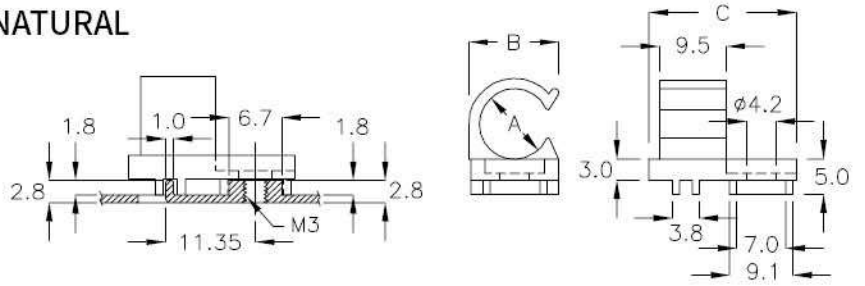
| PART NO | A   | B    | C    | PACKAGE |
|---------|-----|------|------|---------|
| CHF-7   | 7.5 | 12.5 | 21.0 | 500     |



### 隔離束線座 WIRE SADDLE

6-148-1

- MATERIAL: NYLON 66(UL)
- FLAME CLASS: 94V-2
- COLOR: NATURAL



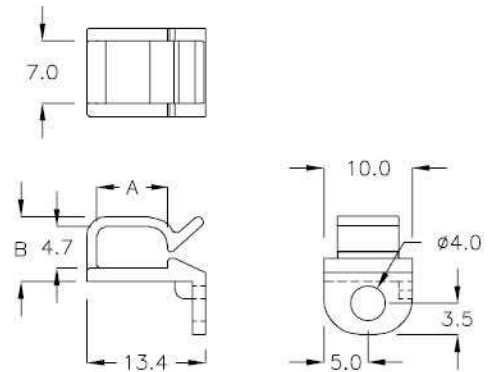
| PART NO | A     | B    | C    | PACKAGE |
|---------|-------|------|------|---------|
| CHF-7A  | ∅10.0 | 12.8 | 21.0 | 500     |



### 電線固定座 WIRE MOUNT

6-148-2

- MATERIAL: NYLON 66(UL)
- FLAME CLASS: 94V-2
- COLOR: NATURAL
- WITH M3 or #6-32 SCREW



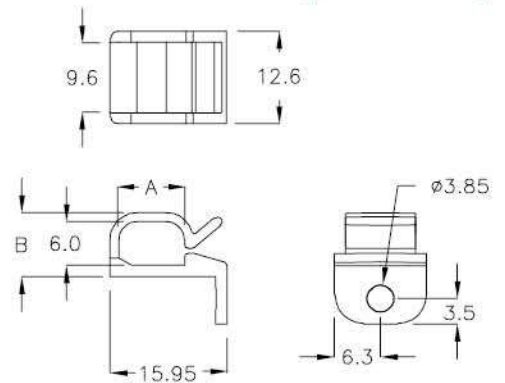
| PART NO | A   | B   | PACKAGE |
|---------|-----|-----|---------|
| FAC-01  | 8.0 | 7.3 | 1000    |



### 電線固定座 WIRE MOUNT

6-148-3

- MATERIAL: NYLON 66(UL)
- FLAME CLASS: 94V-2
- COLOR: NATURAL
- WITH M3 or #6-32 SCREW



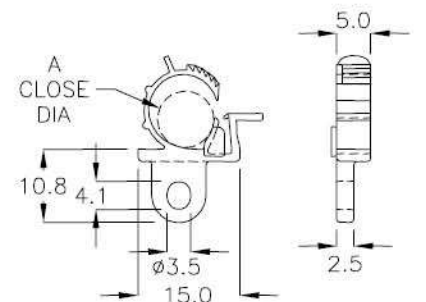
| PART NO | A   | B   | PACKAGE |
|---------|-----|-----|---------|
| FAC-02  | 9.0 | 8.7 | 1000    |



### 電源線固定座 POWER CORD MOUNTING

6-148-4

- MATERIAL: NYLON 66(UL)
- FLAME CLASS: 94V-2
- COLOR: BLACK
- WITH M3 SCREW



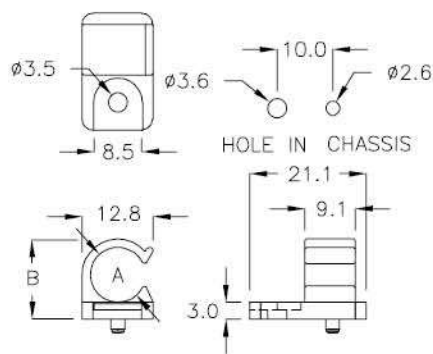
| PART NO | A         | PACKAGE |
|---------|-----------|---------|
| FWI-8CM | ∅7.5~∅8.3 | 100     |



電線固定座 WIRE MOUNT

6-149-1

- MATERIAL: NYLON 66(UL)
- FLAME CLASS: 94V-2
- COLOR: NATURAL
- WITH M3 SCREW



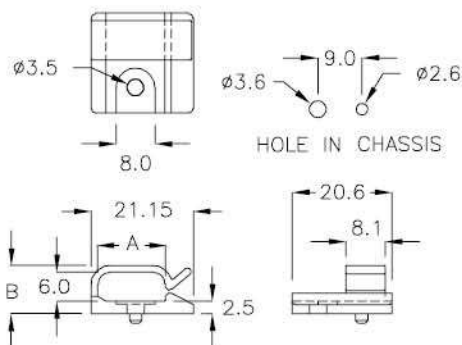
| PART NO | A     | B    | PACKAGE |
|---------|-------|------|---------|
| FAF-10  | ∅10.0 | 14.5 | 500     |



電線固定座 WIRE MOUNT

6-149-2

- MATERIAL: NYLON 66(UL)
- FLAME CLASS: 94V-2
- COLOR: NATURAL
- WITH M3 SCREW



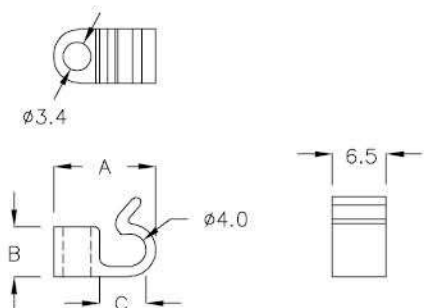
| PART NO | A    | B   | PACKAGE |
|---------|------|-----|---------|
| FAG-01  | 14.0 | 9.9 | 500     |



電線固定座 WIRE MOUNT

6-149-3

- MATERIAL: NYLON 66(UL)
- FLAME CLASS: 94V-2
- COLOR: NATURAL
- WITH M3 SCREW



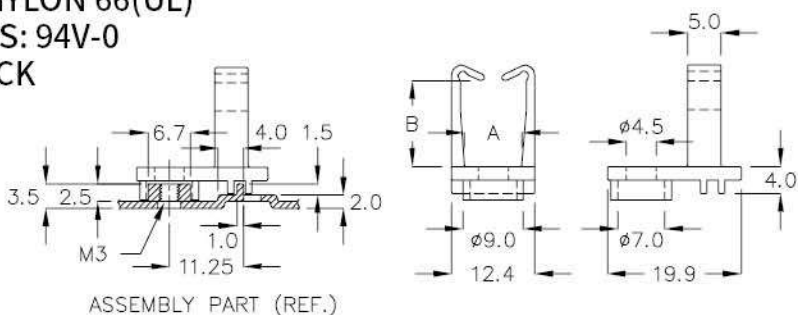
| PART NO | A    | B   | C   | PACKAGE |
|---------|------|-----|-----|---------|
| CHG-04  | 12.3 | 6.0 | 5.6 | 1000    |



隔離束線座 WIRE SADDLE

6-149-4

- MATERIAL: NYLON 66(UL)
- FLAME CLASS: 94V-0
- COLOR: BLACK



ASSEMBLY PART (REF.)

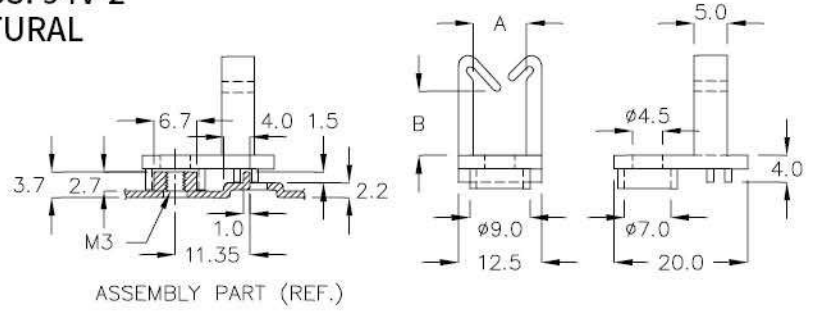
| PART NO  | A   | B    | PACKAGE |
|----------|-----|------|---------|
| ★ CHF-11 | 8.0 | 12.8 | 500     |



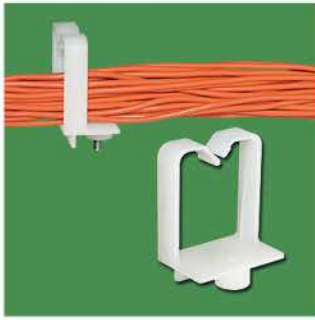
隔離束線座 WIRE SADDLE

6-150-1

- MATERIAL: NYLON 66(UL)
- FLAME CLASS: 94V-2
- COLOR: NATURAL



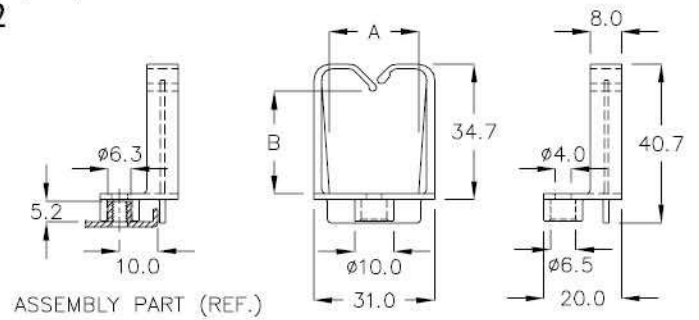
| PART NO | A   | B    | PACKAGE |
|---------|-----|------|---------|
| CHF-11E | 8.0 | 11.2 | 500     |



隔離束線座 WIRE SADDLE

6-150-2

- MATERIAL: NYLON 66(UL)
- FLAME CLASS: 94V-2
- COLOR: NATURAL
- WITH M3 SCREW



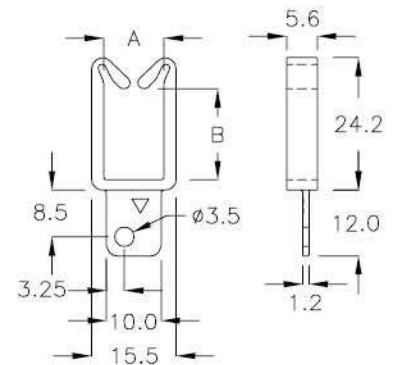
| PART NO  | A    | B    | PACKAGE |
|----------|------|------|---------|
| CHF-27SJ | 23.0 | 26.0 | 100     |



隔離束線座 WIRE SADDLE

6-150-3

- MATERIAL: NYLON 66(UL)
- FLAME CLASS: 94V-2
- COLOR: NATURAL
- WITH M3 SCREW



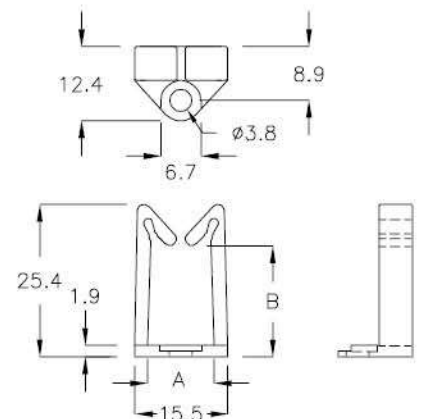
| PART NO  | A    | B    | PACKAGE |
|----------|------|------|---------|
| CNFK-11T | 11.1 | 16.6 | 500     |



隔離束線座 WIRE SADDLE

6-150-4

- MATERIAL: NYLON 66(UL)
- FLAME CLASS: 94V-2
- COLOR: NATURAL
- WITH M3 or #6-32 SCREW

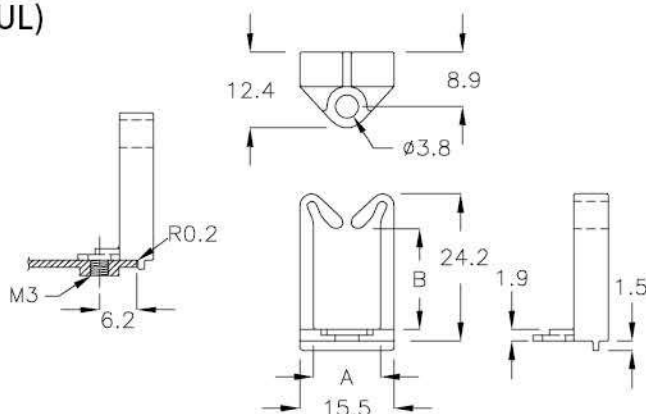


| PART NO | A    | B    | PACKAGE |
|---------|------|------|---------|
| CNF-11  | 11.1 | 18.5 | 500     |



### 隔離束線座 WIRE SADDLE 6-151-1

- MATERIAL: NYLON 66(UL)
- FLAME CLASS: 94V-2
- COLOR: NATURAL
- WITH M3 SCREW



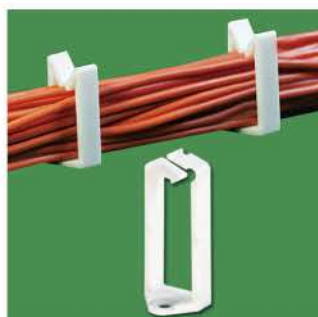
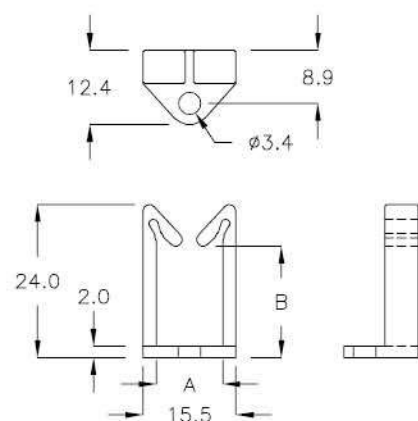
| PART NO   | A    | B    | PACKAGE |
|-----------|------|------|---------|
| CNFA-11GS | 11.1 | 16.6 | 500     |



### 隔離束線座 WIRE SADDLE 6-151-2

- MATERIAL: NYLON 66(UL)
- FLAME CLASS: 94V-2
- COLOR: NATURAL
- WITH M3 SCREW

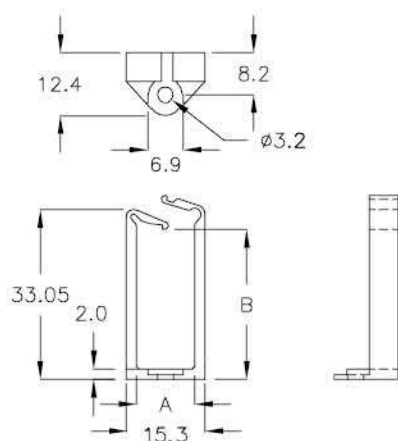
| PART NO | A    | B    | PACKAGE |
|---------|------|------|---------|
| CNF-12R | 12.0 | 18.5 | 500     |



### 隔離束線座 WIRE SADDLE 6-151-3

- MATERIAL: NYLON 66(UL)
- FLAME CLASS: 94V-2
- COLOR: NATURAL
- WITH M3 SCREW

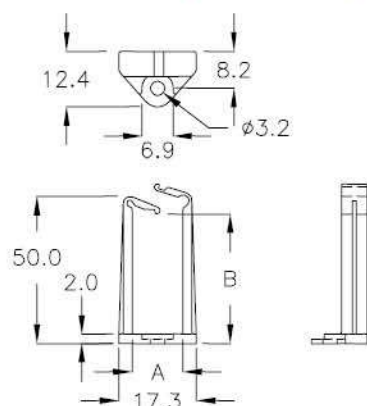
| PART NO  | A    | B    | PACKAGE |
|----------|------|------|---------|
| CNK-11DY | 11.3 | 29.2 | 200     |



### 隔離束線座 WIRE SADDLE 6-151-4

- MATERIAL: NYLON 66(UL)
- FLAME CLASS: 94V-2
- COLOR: BLACK
- WITH M3 SCREW

| PART NO  | A    | B    | PACKAGE |
|----------|------|------|---------|
| CNK-11PH | 11.3 | 46.1 | 100     |



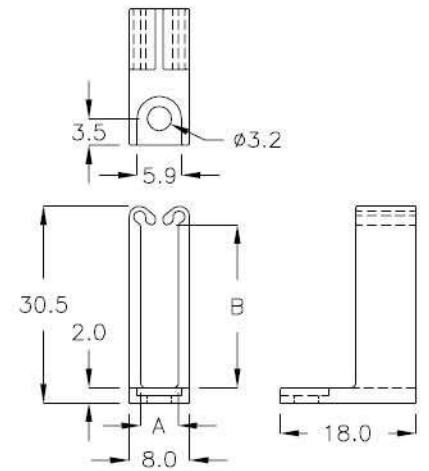


### 隔離束線座 WIRE SADDLE

6-152-1

- MATERIAL: NYLON 66(UL)
- FLAME CLASS: 94V-2
- COLOR: BLACK
- WITH M3 SCREW

| PART NO  | A   | B    | PACKAGE |
|----------|-----|------|---------|
| CNTF-5HY | 5.0 | 26.0 | 200     |

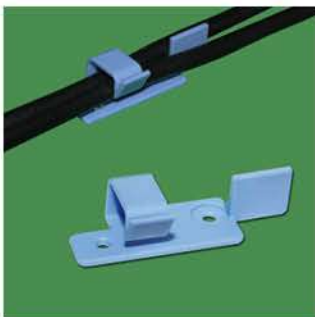
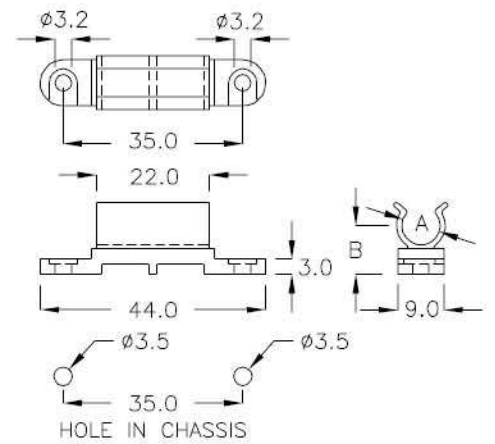


### 電線固定座 WIRE MOUNT

6-152-2

- MATERIAL: NYLON 66(UL)
- FLAME CLASS: 94V-2
- COLOR: NATURAL
- WITH M3 SCREW

| PART NO  | A   | B   | PACKAGE |
|----------|-----|-----|---------|
| CMS-22JC | 7.5 | 9.5 | 500     |

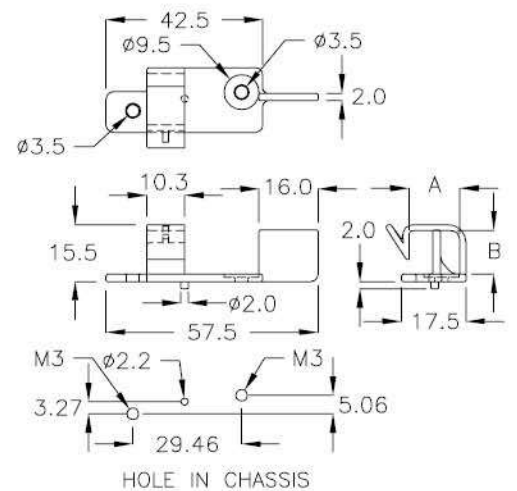


### 隔離束線座 WIRE SADDLE

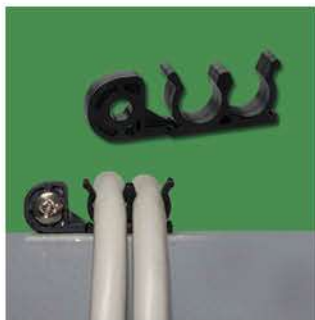
6-152-3

- MATERIAL: NYLON 66(UL)
- FLAME CLASS: 94V-0
- COLOR: BLUE
- WITH M3 SCREW

| PART NO   | A    | B    | PACKAGE |
|-----------|------|------|---------|
| CHFK-11JS | 13.8 | 11.9 | 500     |



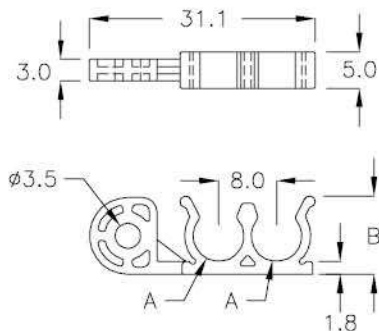




電線固定座 WIRE MOUNT **6-153-1**

- MATERIAL: NYLON 66(UL)
- FLAME CLASS: 94V-2
- COLOR: BLACK
- WITH M3 SCREW

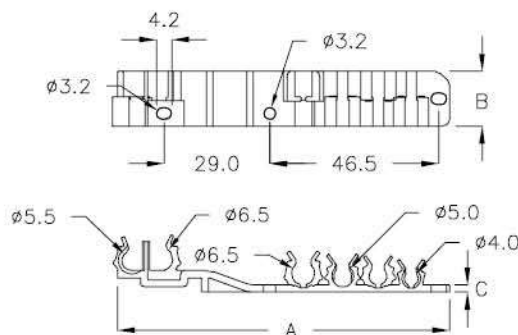
| PART NO | A    | B    | PACKAGE |
|---------|------|------|---------|
| CNR-31A | ø7.0 | 10.8 | 500     |



電線固定座 TIE MOUNT **6-153-2**

- MATERIAL: NYLON 66(UL)
- FLAME CLASS: 94V-2
- COLOR: NATURAL
- WITH M3 SCREW

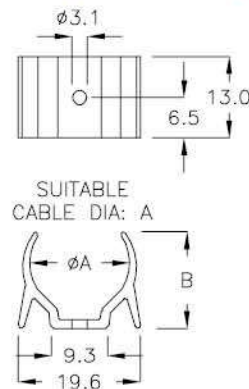
| PART NO | A    | B    | C   | PACKAGE |
|---------|------|------|-----|---------|
| CTT-91  | 91.2 | 15.0 | 2.0 | 200     |



電線固定座 WIRE MOUNT **6-153-3**

- MATERIAL: NYLON 66(UL)
- FLAME CLASS: 94V-2
- COLOR: BLACK
- WITH M3 SCREW

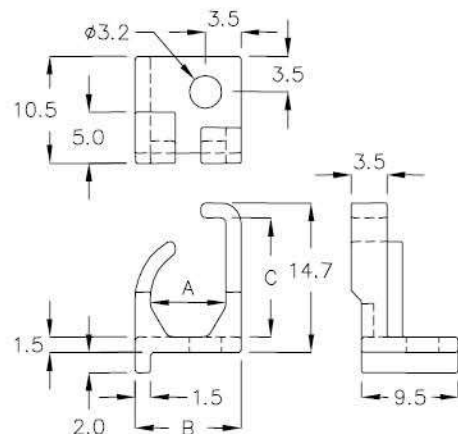
| PART NO | A     | B    | PACKAGE |
|---------|-------|------|---------|
| FW-08A  | ø16.0 | 15.5 | 500     |



電線固定座 WIRE MOUNT **6-153-4**

- MATERIAL: NYLON 66(UL)
- FLAME CLASS: 94V-0
- COLOR: NATURAL
- WITH M3 SCREW

| PART NO | A    | B    | C    | PACKAGE |
|---------|------|------|------|---------|
| CHF7-7A | ø7.2 | 10.4 | 11.7 | 500     |



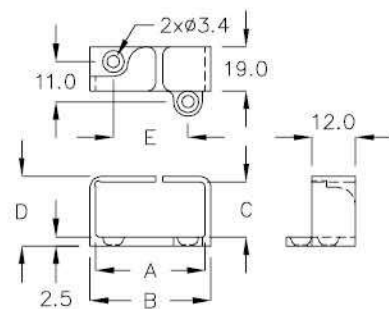


### 隔離束線座 WIRE SADDLE

6-154-1

- MATERIAL: NYLON 66(UL)
- FLAME CLASS: 94V-2
- COLOR: BLACK
- WITH M3 COUNTERSUNK SCREW

| PART NO | A    | B    | C    | D    | E    | PACKAGE |
|---------|------|------|------|------|------|---------|
| CNQ-30A | 30.0 | 33.2 | 15.0 | 19.1 | 20.5 | 500     |
| CNQ-40K | 40.0 | 43.2 | 8.0  | 12.1 | 30.0 |         |

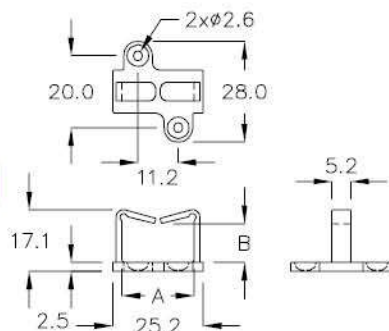


### 隔離束線座 WIRE SADDLE

6-154-2

- MATERIAL: NYLON 66(UL)
- FLAME CLASS: 94V-2
- COLOR: BLACK
- WITH M2.5 COUNTERSUNK SCREW

| PART NO  | A    | B    | D    | E    | F   | PACKAGE |
|----------|------|------|------|------|-----|---------|
| CNW-20AM | 20.0 | 18.7 | 25.1 | 28.6 | 7.5 | 100     |
| CNW-20TP | 20.0 | 10.7 | 17.1 | 28.0 | 5.2 |         |

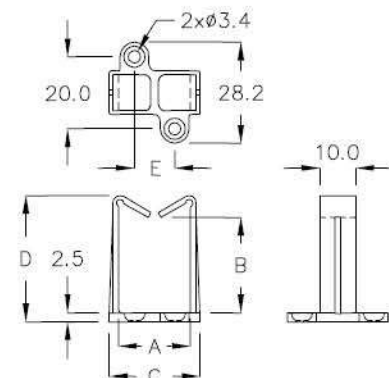


### 隔離束線座 WIRE SADDLE

6-154-3

- MATERIAL: NYLON 66(UL)
- FLAME CLASS: 94V-2
- COLOR: BLACK
- WITH M3 COUNTERSUNK SCREW

| PART NO  | A    | B    | C    | D    | E    | PACKAGE |
|----------|------|------|------|------|------|---------|
| CNW-19AT | 19.8 | 16.5 | 25.0 | 25.0 | 11.2 | 500     |
| CNW-20K  | 20.0 | 26.5 | 25.2 | 35.0 | 14.2 |         |

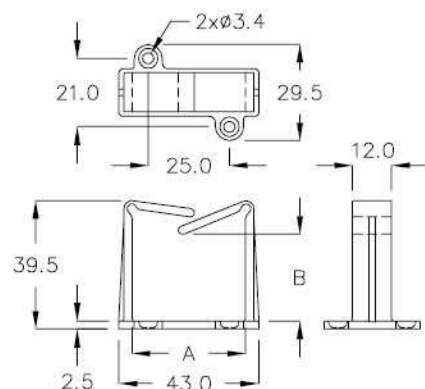


### 隔離束線座 WIRE SADDLE

6-154-4

- MATERIAL: NYLON 66(UL)
- FLAME CLASS: 94V-0
- COLOR: BLACK
- WITH M3 COUNTERSUNK SCREW

| PART NO | A    | B    | PACKAGE |
|---------|------|------|---------|
| CNW-35H | 35.0 | 26.7 | 100     |



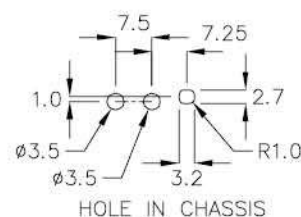
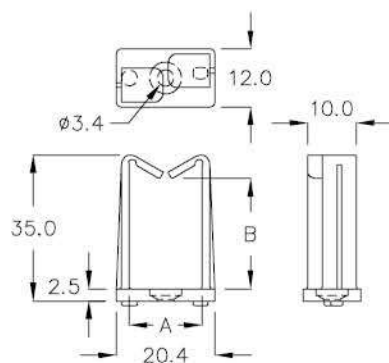


## 隔離束線座 WIRE SADDLE | 6-155-1 |

- MATERIAL: NYLON 66(UL)
- FLAME CLASS: 94V-0
- COLOR: BLACK
- WITH M3 COUNTERSUNK SCREW

**NEW**

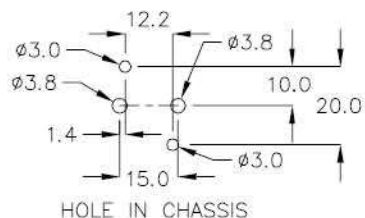
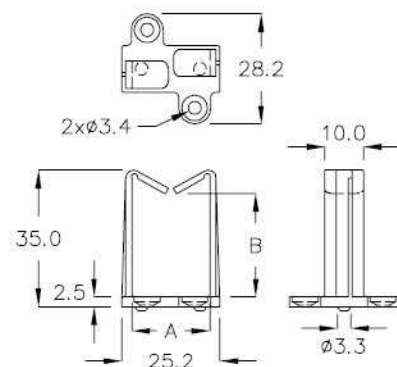
| PART NO    | A    | B    | PACKAGE |
|------------|------|------|---------|
| ★ CNWF-15A | 15.2 | 27.5 | 200     |



## 隔離束線座 WIRE SADDLE | 6-155-2 |

- MATERIAL: NYLON 66(UL)
- FLAME CLASS: 94V-0
- COLOR: BLACK
- WITH M3 COUNTERSUNK SCREW

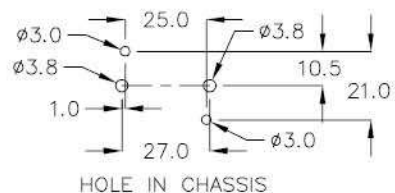
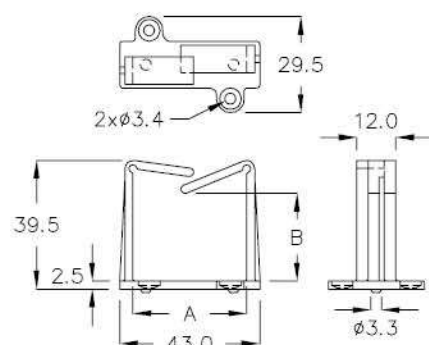
| PART NO  | A    | B    | PACKAGE |
|----------|------|------|---------|
| CNWZ-20D | 20.0 | 26.5 | 500     |



## 隔離束線座 WIRE SADDLE | 6-155-3 |

- MATERIAL: NYLON 66(UL)
- FLAME CLASS: 94V-0
- COLOR: BLACK
- WITH M3 COUNTERSUNK SCREW

| PART NO  | A    | B    | PACKAGE |
|----------|------|------|---------|
| CNWZ-35M | 35.0 | 26.9 | 100     |



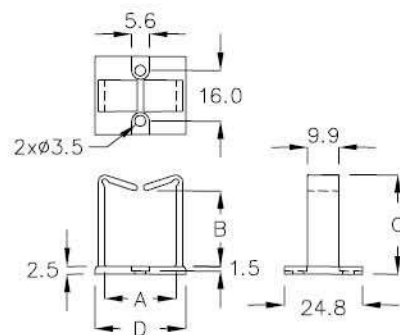


### 隔離束線座 WIRE SADDLE

6-156-1

- MATERIAL: NYLON 66(UL)
- FLAME CLASS: 94V-2
- COLOR: BLACK
- WITH M3 SCREW

| PART NO  | A    | B    | C    | D    | PACKAGE |
|----------|------|------|------|------|---------|
| CNH-22DC | 22.8 | 24.0 | 31.5 | 28.8 | 100     |
| CNH-28MG | 28.6 | 40.4 | 53.2 | 35.0 |         |



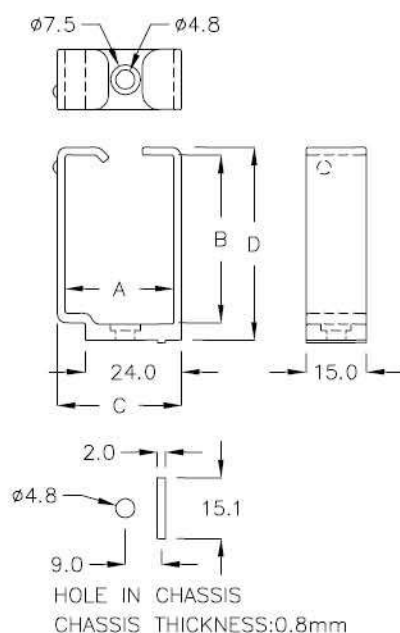
### 隔離束線座 WIRE SADDLE

6-156-2

- MATERIAL: NYLON 66(UL)
- FLAME CLASS: 94V-0
- COLOR: BLACK
- WITH M4 SCREW

**NEW**

| PART NO    | A    | B    | C    | D    | PACKAGE |
|------------|------|------|------|------|---------|
| ★ PACB-51Q | 27.0 | 44.7 | 31.0 | 50.7 | 100     |



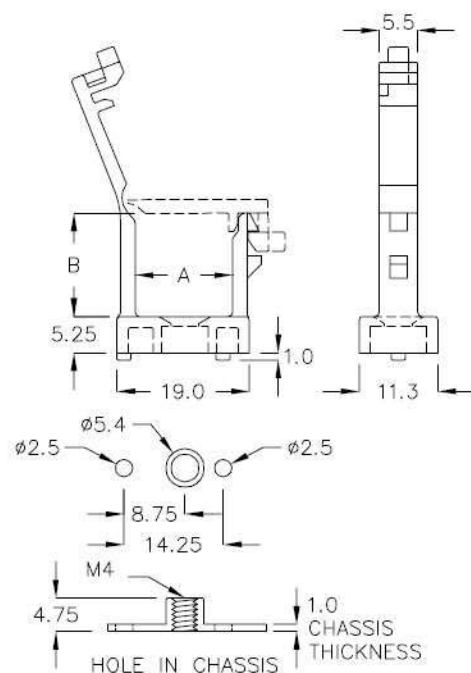
### 隔離束線座 WIRE SADDLE

6-156-3

- MATERIAL: NYLON 66(UL)
- FLAME CLASS: 94V-0
- COLOR: NATURAL
- WITH M4 COUNTERSUNK SCREW

WITH LOCK FEATURE

| PART NO   | A    | B    | PACKAGE |
|-----------|------|------|---------|
| CKFM-14QR | 14.0 | 17.0 | 500     |

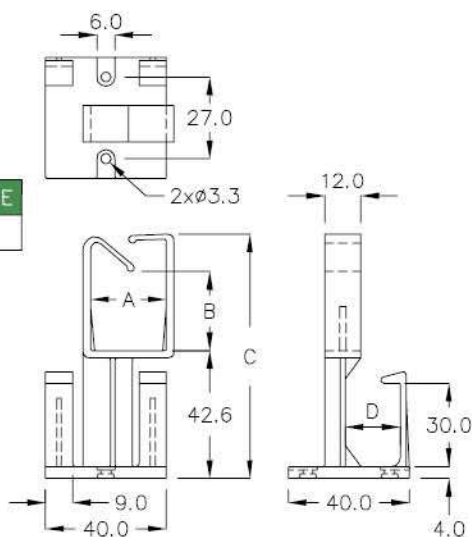




隔離束線座 WIRE SADDLE | 6-157-1 |

- MATERIAL: NYLON 66(UL)
- FLAME CLASS: 94V-2
- COLOR: BLACK
- WITH M3 SCREW

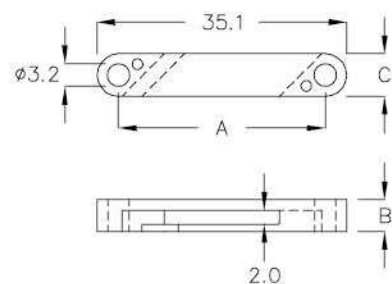
| PART NO   | A    | B    | C    | D     | PACKAGE |
|-----------|------|------|------|-------|---------|
| CNHA-25SK | 25.0 | 31.0 | 85.7 | 18.25 | 50      |



排線固定座 FLAT CABLE CLIP | 6-157-2 |

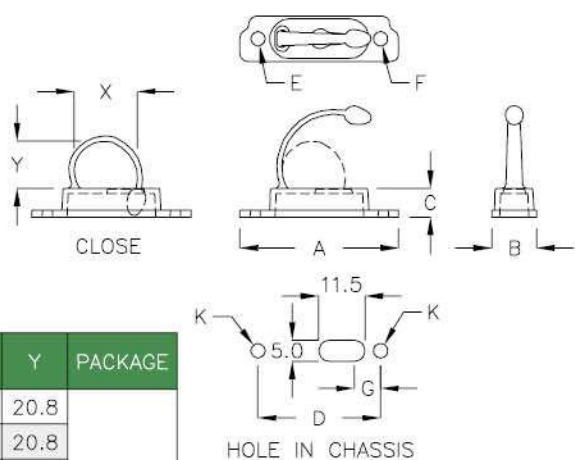
- MATERIAL: NYLON 66(UL)
- FLAME CLASS: 94V-2
- COLOR: NATURAL

| PART NO | A    | B   | C   | PACKAGE |
|---------|------|-----|-----|---------|
| FCM-01  | 29.1 | 4.5 | 6.0 | 500     |



電線固定座 WIRE MOUNT | 6-157-3 |

- MATERIAL: NYLON 66(UL)
- FLAME CLASS: 94V-2
- COLOR: BLACK



WITH LOCK FEATURE

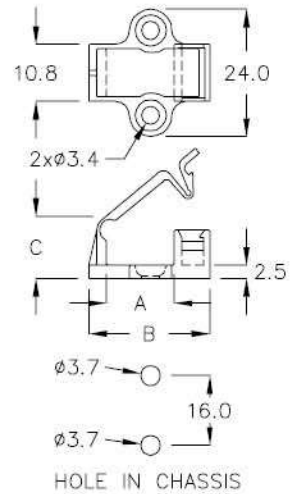
| PART NO | A    | B    | C   | D    | E       | F    | G    | K SCREW | X    | Y    | PACKAGE |
|---------|------|------|-----|------|---------|------|------|---------|------|------|---------|
| CMD-3H  | 44.0 | 13.0 | 8.5 | 34.0 | ø4.0    | ø4.0 | 9.3  | M3      | 18.0 | 20.8 | 200     |
| CMD-3KZ | 44.0 | 13.0 | 8.5 | 34.0 | ø3.0    | ø3.0 | 9.3  | M2.5    | 18.0 | 20.8 |         |
| CMD-08  | 44.0 | 12.5 | 8.0 | 34.0 | ø4.0    | ø4.0 | 9.5  | M3      | 14.7 | 11.0 |         |
| CMD-8F  | 44.0 | 13.0 | 8.5 | 34.0 | ø3.8    | ø3.8 | 9.3  | M3      | 16.0 | 14.2 |         |
| CMD-8TM | 56.0 | 15.0 | 8.5 | 46.0 | 3.2x4.0 | ø3.2 | 10.8 | M3      | 23.0 | 16.0 |         |



電線固定座 WIRE MOUNT

6-158-1

- MATERIAL: NYLON 66(UL)
- FLAME CLASS: 94V-2
- COLOR: BLACK
- WITH M3 COUNTERSUNK SCREW



WITH LOCK FEATURE

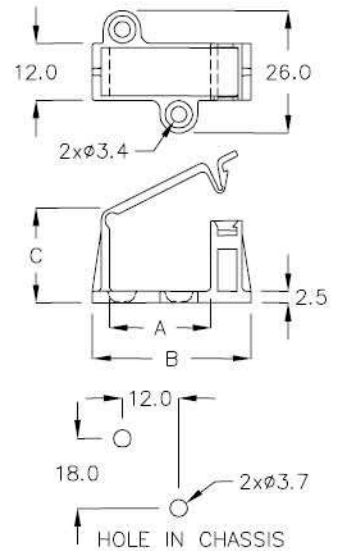
| PART NO   | A    | B    | C    | PACKAGE |
|-----------|------|------|------|---------|
| FCNQ-22BS | 12.8 | 22.8 | 11.7 | 100     |



電線固定座 WIRE MOUNT

6-158-2

- MATERIAL: NYLON 66(UL)
- FLAME CLASS: 94V-2
- COLOR: BLACK
- WITH M3 COUNTERSUNK SCREW



WITH LOCK FEATURE

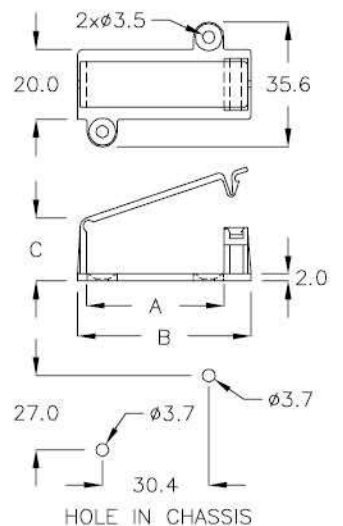
| PART NO   | A    | B    | C    | PACKAGE |
|-----------|------|------|------|---------|
| FCJS-33TY | 21.5 | 33.7 | 20.2 | 100     |



電線固定板 CABLE CLAMP

6-158-3

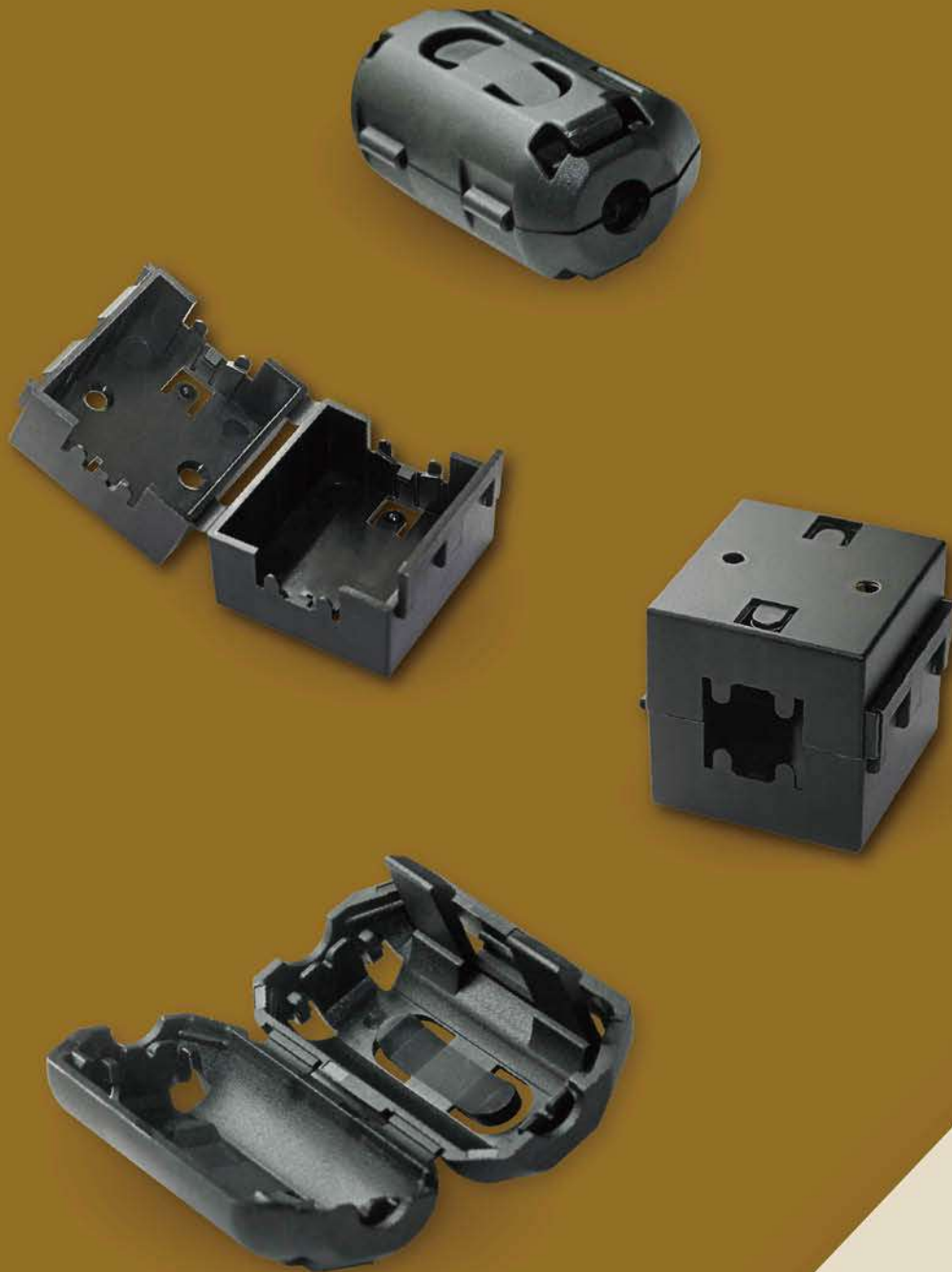
- MATERIAL: NYLON 66(UL)
- FLAME CLASS: 94V-2
- COLOR: NATURAL
- WITH M3 COUNTERSUNK SCREW



WITH LOCK FEATURE

| PART NO  | A    | B    | C    | PACKAGE |
|----------|------|------|------|---------|
| FAK-39LY | 39.4 | 49.7 | 18.0 | 100     |

07

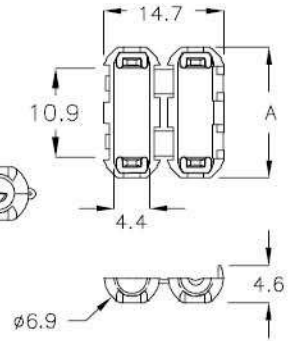
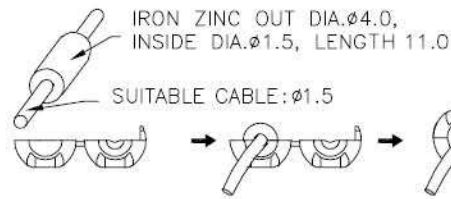


EMI扣  
SLEEVE FERRITE CLAMP



### EMI 扣 SLEEVE FERRITE CLAMP — 7-2-1

- MATERIAL: NYLON 66(UL)
- FLAME CLASS: 94V-2
- COLOR: BLACK

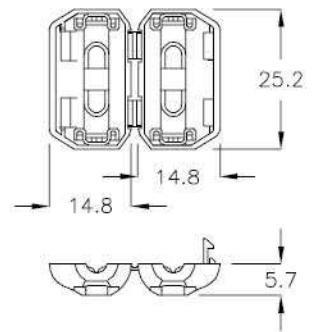


| PART NO | A    | SUITABLE CABLE | PACKAGE |
|---------|------|----------------|---------|
| EMR-1C  | 16.0 | $\phi 1.15$    | 500     |

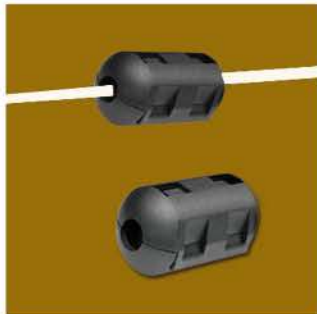


### EMI 扣 SLEEVE FERRITE CLAMP — 7-2-2

- MATERIAL: NYLON 66(UL)
- FLAME CLASS: 94V-2
- COLOR: BLACK

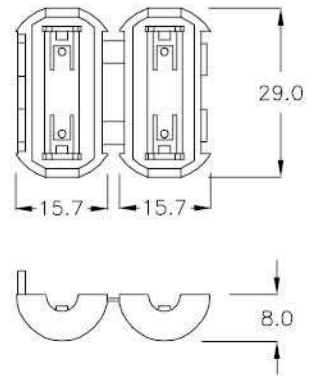


| PART NO | SUITABLE CABLE | PACKAGE |
|---------|----------------|---------|
| EMR-3A  | $\phi 3.5$     | 500     |



### EMI 扣 SLEEVE FERRITE CLAMP — 7-2-3

- MATERIAL: NYLON 66(UL)
- FLAME CLASS: 94V-2
- COLOR: BLACK

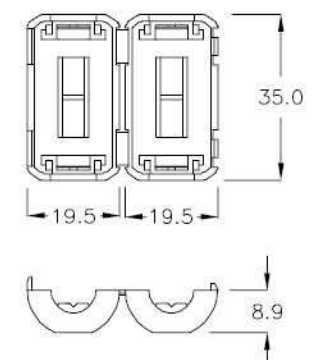


| PART NO | SUITABLE CABLE | PACKAGE |
|---------|----------------|---------|
| EMR-05  | $\phi 5.0$     | 200     |



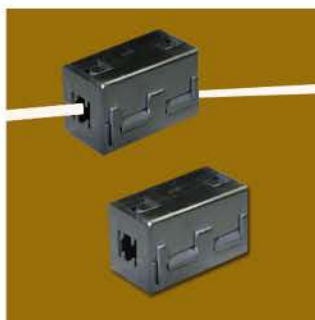
### EMI 扣 SLEEVE FERRITE CLAMP — 7-2-4

- MATERIAL: NYLON 66(UL)
- FLAME CLASS: 94V-2
- COLOR: BLACK



| PART NO | SUITABLE CABLE | PACKAGE |
|---------|----------------|---------|
| EMR-7A  | $\phi 7.5$     | 200     |

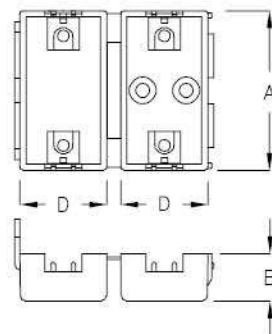




## EMI 扣 SLEEVE FERRITE CLAMP 7-3-1

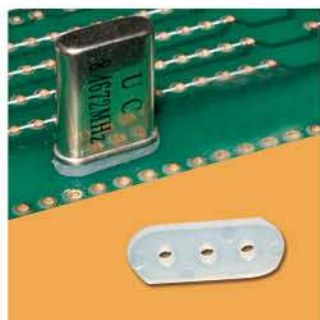
- MATERIAL: NYLON 66(UL)
- FLAME CLASS: 94V-2
- COLOR: BLACK

| PART NO | A    | B    | D    | SUITABLE CABLE | PACKAGE |
|---------|------|------|------|----------------|---------|
| EMQ-06  | 32.8 | 9.7  | 18.0 | φ6.0           | 200     |
| EMQ-13  | 32.7 | 15.0 | 30.0 | φ13.0          | 100     |
| EMQ-9A  | 32.8 | 11.6 | 22.7 | φ8.5           |         |





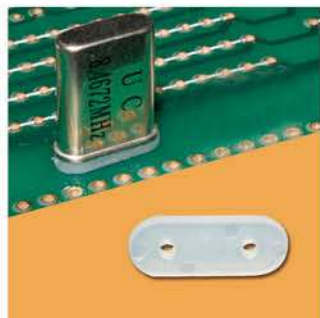
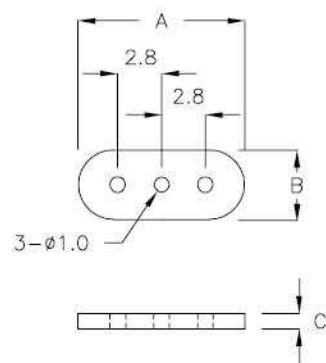




振盪晶體墊片 OSCILLATOR WASHER — 8-2-1 |

- MATERIAL: NYLON 66(UL)
- FLAME CLASS: 94V-2
- COLOR: NATURAL

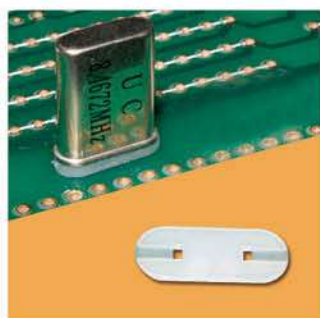
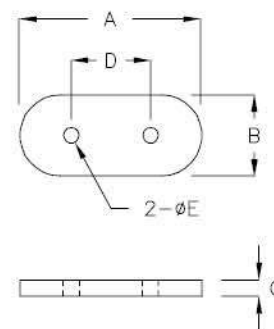
| PART NO | A    | B   | C   | PACKAGE |
|---------|------|-----|-----|---------|
| TQ-05   | 10.8 | 4.5 | 1.0 | 2000    |



振盪晶體墊片 OSCILLATOR WASHER — 8-2-2 |

- MATERIAL: NYLON 66(UL)
- FLAME CLASS: 94V-2
- COLOR: NATURAL

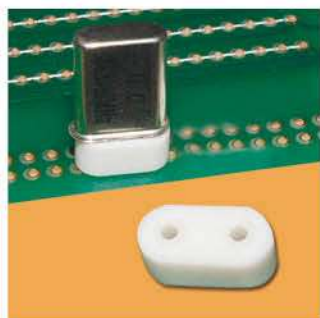
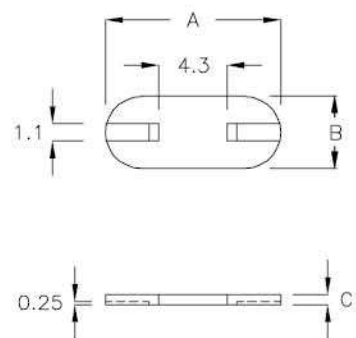
| PART NO | A    | B   | C   | D    | E   | PACKAGE |
|---------|------|-----|-----|------|-----|---------|
| TQ-03   | 7.9  | 3.2 | 0.7 | 3.75 | 0.8 | 2000    |
| TQ-03A  | 7.9  | 3.2 | 0.7 | 4.9  | 0.8 |         |
| TQ-06   | 11.2 | 5.0 | 1.0 | 4.9  | 1.2 |         |
| TQ-06A  | 11.2 | 5.0 | 1.5 | 4.9  | 1.2 |         |
| TQ-06H  | 11.2 | 6.5 | 1.5 | 4.75 | 2.2 |         |



振盪晶體墊片 OSCILLATOR WASHER — 8-2-3 |

- MATERIAL: NYLON 66(UL)
- FLAME CLASS: 94V-2
- COLOR: NATURAL

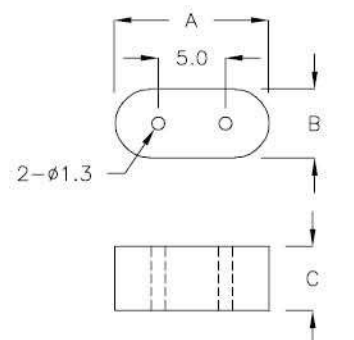
| PART NO | A    | B   | C   | PACKAGE |
|---------|------|-----|-----|---------|
| TQ-06F  | 11.0 | 4.5 | 0.7 | 2000    |



振盪晶體墊片 OSCILLATOR WASHER — 8-2-4 |

- MATERIAL: CERAMICS
- COLOR: NATURAL

| PART NO | A    | B   | C   | PACKAGE |
|---------|------|-----|-----|---------|
| TQC-05  | 10.0 | 5.0 | 5.1 | 2000    |



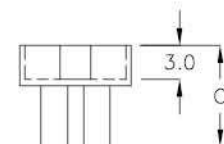
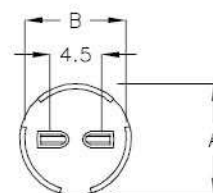


### 電容器座 E-CAP HOUSING

8-3-1

- MATERIAL: NYLON 66(UL)
- FLAME CLASS: 94V-2
- COLOR: NATURAL

| PART NO  | A     | B     | C    | PACKAGE |
|----------|-------|-------|------|---------|
| CWX-10BK | ∅11.0 | ∅10.0 | 10.0 | 1000    |

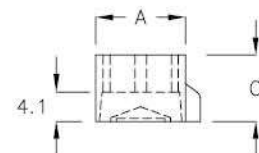
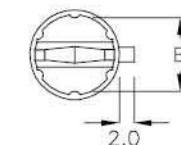


### 電容器座 E-CAP HOUSING

8-3-2

- MATERIAL: PP
- COLOR: NATURAL

| PART NO | A     | B     | C   | PACKAGE |
|---------|-------|-------|-----|---------|
| CW-2    | ∅12.5 | ∅10.2 | 9.2 | 1000    |

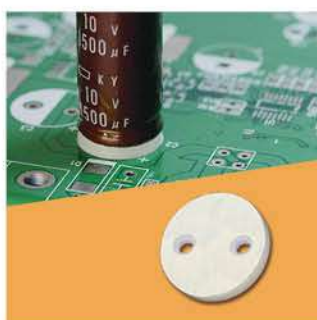
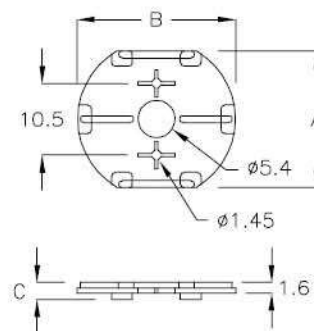


### 電容器墊片 CAPACITOR WASHER

8-3-3

- MATERIAL: NYLON 66(UL)
- FLAME CLASS: 94V-2
- COLOR: NATURAL

| PART NO | A    | B     | C   | PACKAGE |
|---------|------|-------|-----|---------|
| CW-10   | 20.0 | ∅23.0 | 2.6 | 1000    |

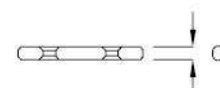
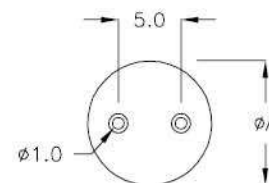


### 電容器墊片 CAPACITOR WASHER

8-3-4

- MATERIAL: NYLON 66(UL)
- FLAME CLASS: 94V-2
- COLOR: NATURAL

| PART NO | A     | C   | PACKAGE |
|---------|-------|-----|---------|
| CW-10Q  | ∅10.0 | 1.0 | 1000    |

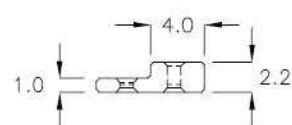
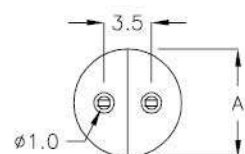




### 電容器墊片 CAPACITOR WASHER 8-4-1

- MATERIAL: NYLON 66+GF30%(UL)
- FLAME CLASS: 94V-0
- COLOR: BLACK

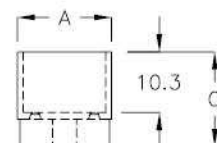
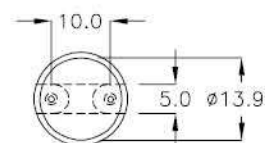
| PART NO | A    | PACKAGE |
|---------|------|---------|
| CW-2KM  | ø8.0 | 1000    |



### 電容器座 E-CAP HOUSING 8-4-2

- MATERIAL: NYLON 66(UL)
- FLAME CLASS: 94V-2
- COLOR: NATURAL

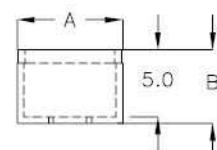
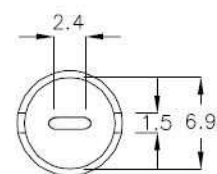
| PART NO | A     | C    | PACKAGE |
|---------|-------|------|---------|
| CW-003  | ø16.0 | 16.0 | 1000    |



### 電容器座 E-CAP HOUSING 8-4-3

- MATERIAL: NYLON 66(UL)
- FLAME CLASS: 94V-0
- COLOR: BLACK

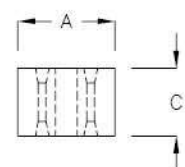
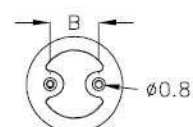
| PART NO | A    | B   | PACKAGE |
|---------|------|-----|---------|
| CWZ-7Q  | ø7.9 | 5.5 | 2000    |



### 電容器座 E-CAP HOUSING 8-4-4

- MATERIAL: NYLON 66(UL)
- FLAME CLASS: 94V-2
- COLOR: BLACK

| PART NO | A     | B   | C   | PACKAGE |
|---------|-------|-----|-----|---------|
| CWM-07  | ø10.0 | 5.0 | 7.0 | 1000    |



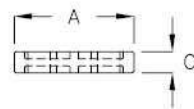
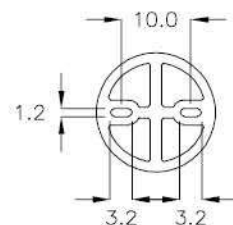


### 華司 WASHER

8-5-1

- MATERIAL: NYLON 66(UL)
- FLAME CLASS: 94V-2
- COLOR: NATURAL

| PART NO | A     | C   | PACKAGE |
|---------|-------|-----|---------|
| WWD-3K  | ∅17.2 | 3.0 | 2000    |

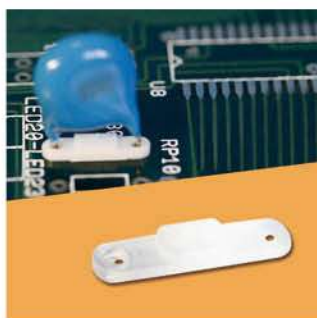
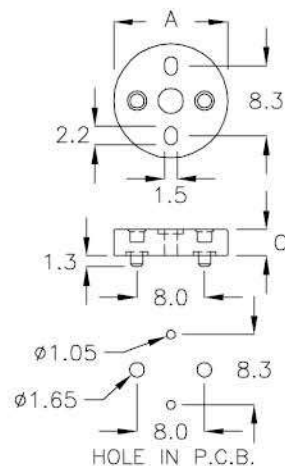


### 電容器墊片 E-CAP WASHER

8-5-2

- MATERIAL: NYLON 66(UL)
- FLAME CLASS: 94V-2
- COLOR: NATURAL

| PART NO | A     | C   | PACKAGE |
|---------|-------|-----|---------|
| CWQ-13M | ∅13.5 | 3.1 | 1000    |

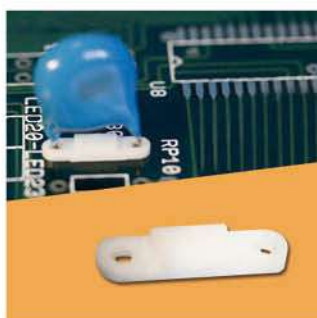
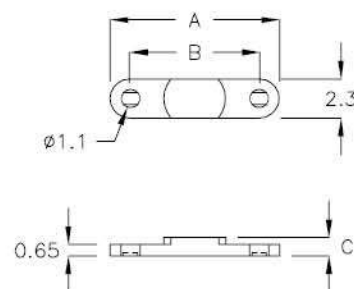


### 電容器墊片 E-CAP WASHER

8-5-3

- MATERIAL: NYLON 66(UL)
- FLAME CLASS: 94V-2
- COLOR: NATURAL

| PART NO | A   | B   | C   | PACKAGE |
|---------|-----|-----|-----|---------|
| CWF-7H  | 9.9 | 7.5 | 1.1 | 2000    |

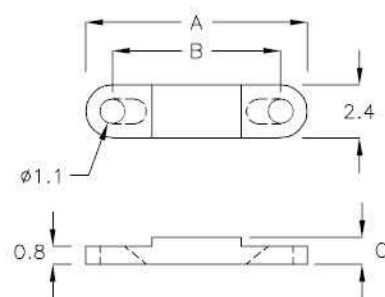


### 電容器墊片 E-CAP WASHER

8-5-4

- MATERIAL: NYLON 66(UL)
- FLAME CLASS: 94V-2
- COLOR: NATURAL

| PART NO | A    | B   | C   | PACKAGE |
|---------|------|-----|-----|---------|
| CWF-7K  | 10.0 | 7.6 | 1.2 | 2000    |



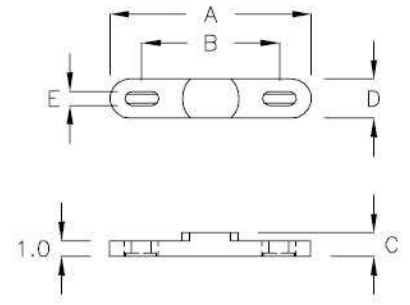


### 電容器墊片 E-CAP WASHER

8-6-1

- MATERIAL: NYLON 66(UL)
- FLAME CLASS: 94V-2
- COLOR: NATURAL

| PART NO | A    | B    | C   | D   | E   | PACKAGE |
|---------|------|------|-----|-----|-----|---------|
| CWF-8H  | 12.8 | 8.75 | 1.5 | 2.5 | 0.9 | 2000    |
| CWF-14A | 14.2 | 10.0 | 1.5 | 3.0 | 1.5 |         |

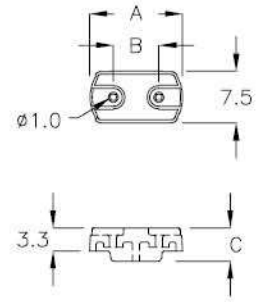


### 蜂鳴器固定座 BUZZER MOUNT

8-6-2

- MATERIAL: NYLON 66+30%FRP(UL)
- FLAME CLASS: 94V-0
- COLOR: BLACK

| PART NO | A    | B   | C   | PACKAGE |
|---------|------|-----|-----|---------|
| MTZ-4A  | 13.4 | 6.6 | 4.8 | 1000    |

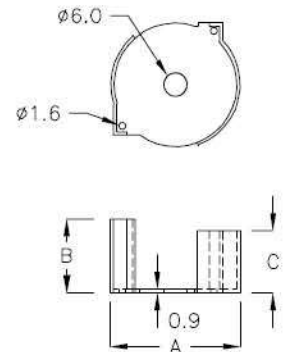


### 固定座 MOUNT

8-6-3

- MATERIAL: NYLON 66(UL)
- FLAME CLASS: 94V-2
- COLOR: BLACK

| PART NO | A    | B    | C    | PACKAGE |
|---------|------|------|------|---------|
| QDC-01  | 33.6 | 18.9 | 15.9 | 100     |

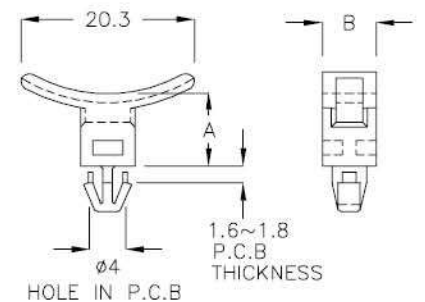


### 電容器座 E-CAP HOUSING

8-6-4

- MATERIAL: NYLON 66(UL)
- FLAME CLASS: 94V-2
- COLOR: NATURAL

| PART NO | A   | B   | PACKAGE |
|---------|-----|-----|---------|
| MMH-08  | 8.0 | 6.0 | 1000    |





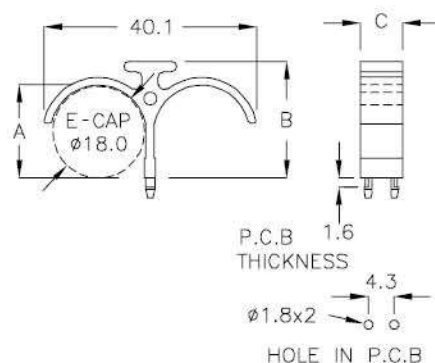


### 電容器座 E-CAP HOUSING

8-7-1

- MATERIAL: NYLON 46(UL)
- FLAME CLASS: 94V-0
- COLOR: NATURAL

| PART NO | A    | B    | C   | PACKAGE |
|---------|------|------|-----|---------|
| CWB-01  | 17.8 | 22.0 | 8.0 | 200     |

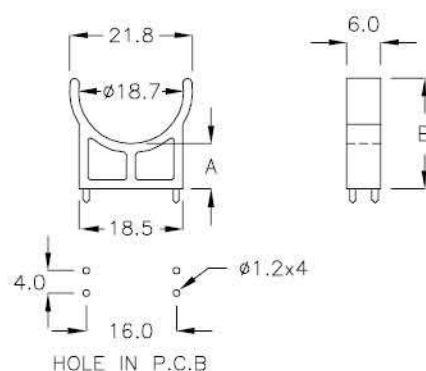


### 電容器座 E-CAP HOUSING

8-7-2

- MATERIAL: NYLON 66(UL)
- FLAME CLASS: 94V-0
- COLOR: NATURAL

| PART NO | A   | B    | PACKAGE |
|---------|-----|------|---------|
| CWC-08  | 8.0 | 19.7 | 1000    |

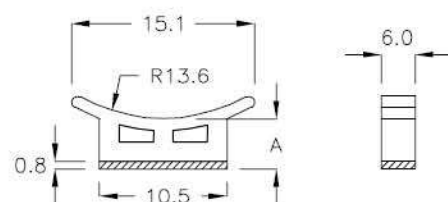


### 電容器座 E-CAP HOUSING

8-7-3

- MATERIAL: NYLON 66(UL)
- FLAME CLASS: 94V-0
- COLOR: NATURAL
- ADHESIVE TAPE: 3M

| PART NO | A   | PACKAGE |
|---------|-----|---------|
| CWG-4A  | 4.3 | 1000    |

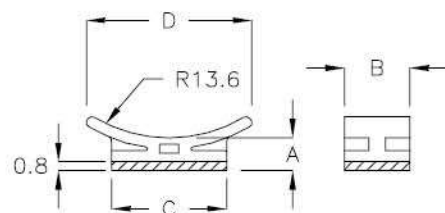


### 電容器座 E-CAP HOUSING

8-7-4

- MATERIAL: NYLON 66(UL)
- FLAME CLASS: 94V-0
- COLOR: NATURAL
- ADHESIVE TAPE: 3M

| PART NO | A   | B   | C    | D    | PACKAGE |
|---------|-----|-----|------|------|---------|
| CWG-03  | 3.0 | 6.0 | 10.5 | 15.1 | 1000    |
| CWG-3MF | 3.0 | 5.0 | 10.0 | 15.1 |         |
| CWG-3TG | 3.0 | 6.0 | 10.5 | 12.0 |         |

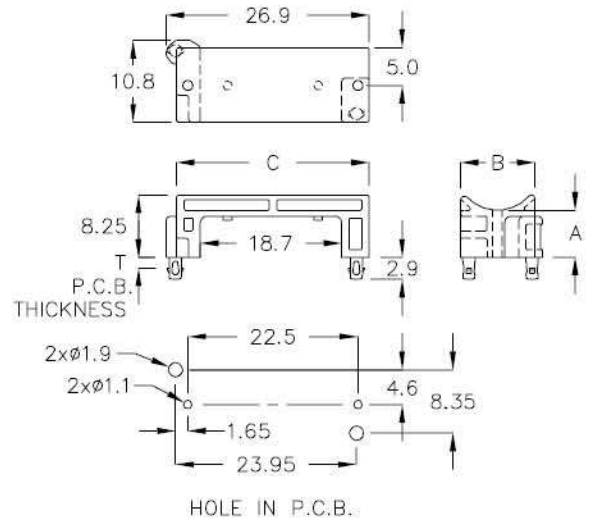




電容器座 E-CAP HOUSING

8-8-1

- MATERIAL: NYLON 66(UL)
- FLAME CLASS: 94V-0
- COLOR: NATURAL



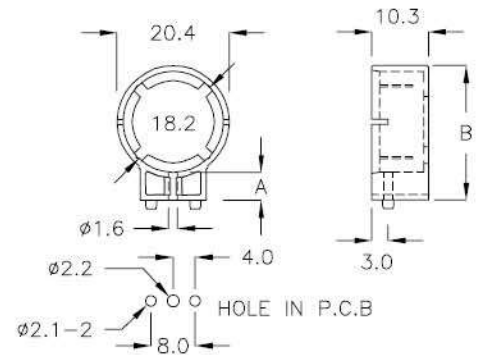
| PART NO  | A    | B    | C    | T<br>P.C.B.<br>THICKNESS | PACKAGE |
|----------|------|------|------|--------------------------|---------|
| CWFK-27A | 6.22 | 9.85 | 25.5 | 1.2                      | 500     |



電容器座 E-CAP HOUSING

8-8-2

- MATERIAL: NYLON 66(UL)
- FLAME CLASS: 94V-2
- COLOR: NATURAL
- WITH M2x5 TAPPING SCREW



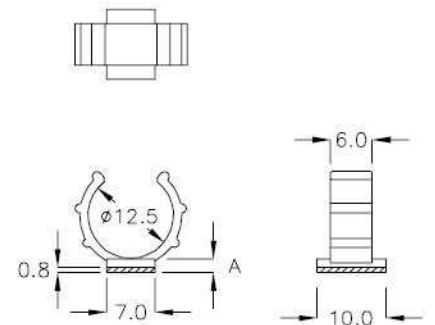
| PART NO | A   | B    | PACKAGE |
|---------|-----|------|---------|
| CWS-01  | 5.0 | 24.4 | 500     |



電容器座 E-CAP HOUSING

8-8-3

- MATERIAL: NYLON 66(UL)
- FLAME CLASS: 94V-2
- COLOR: NATURAL
- ADHESIVE TAPE: 3M



| PART NO | A   | PACKAGE |
|---------|-----|---------|
| CWH-02  | 2.0 | 1000    |

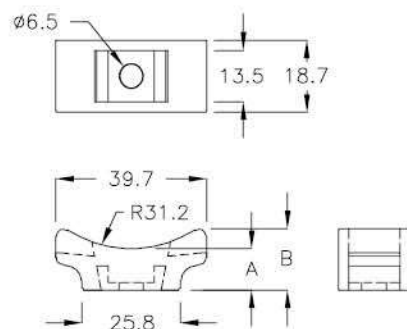


### 電容器座 E-CAP HOUSING

8-9-1

- MATERIAL: NYLON 66(UL)
- FLAME CLASS: 94V-2
- COLOR: BLACK

| PART NO | A    | B    | PACKAGE |
|---------|------|------|---------|
| MLA-40  | 10.8 | 16.0 | 100     |

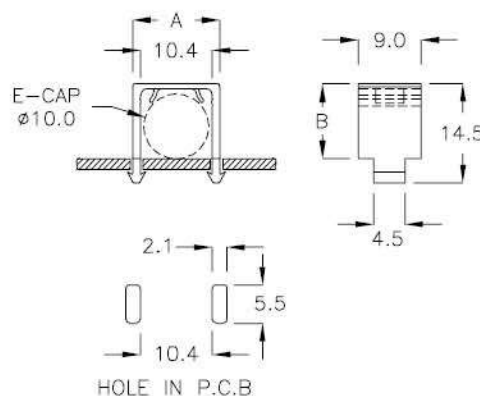


### 電容器座 E-CAP HOUSING

8-9-2

- MATERIAL: NYLON 66(UL)
- FLAME CLASS: 94V-0
- COLOR: NATURAL

| PART NO | A    | B    | PACKAGE |
|---------|------|------|---------|
| CWD-01  | 12.6 | 10.8 | 1000    |

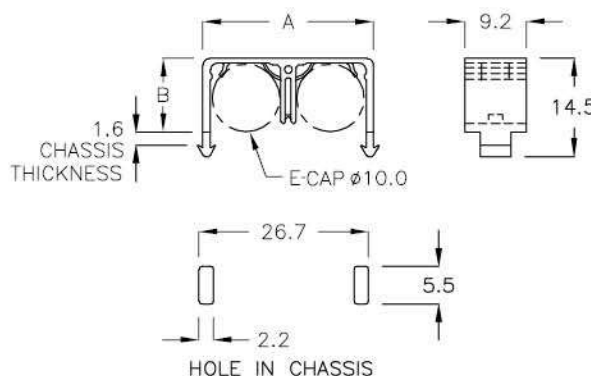


### 電容器座 E-CAP HOUSING

8-9-3

- MATERIAL: NYLON 66(UL)
- FLAME CLASS: 94V-0
- COLOR: NATURAL

| PART NO | A    | B    | PACKAGE |
|---------|------|------|---------|
| CWD-02  | 25.2 | 10.9 | 500     |

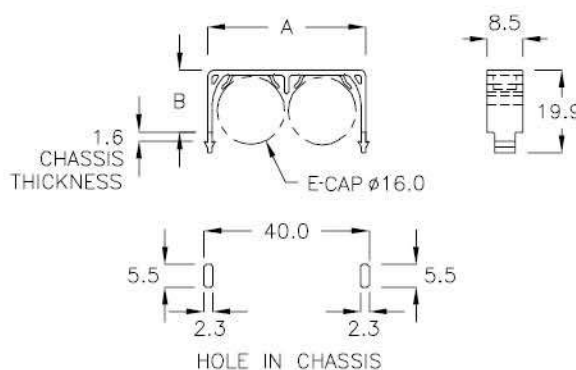


### 電容器座 E-CAP HOUSING

8-9-4

- MATERIAL: NYLON 66(UL)
- FLAME CLASS: 94V-2
- COLOR: NATURAL

| PART NO | A    | B    | PACKAGE |
|---------|------|------|---------|
| CWD-16  | 38.0 | 15.3 | 200     |



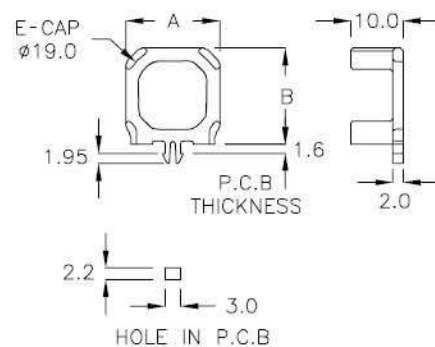


### 電容器座 E-CAP HOUSING

8-10-1

- MATERIAL: NYLON 66(UL)
- FLAME CLASS: 94V-2
- COLOR: NATURAL

| PART NO | A    | B    | PACKAGE |
|---------|------|------|---------|
| CWL-19  | 18.0 | 18.4 | 500     |

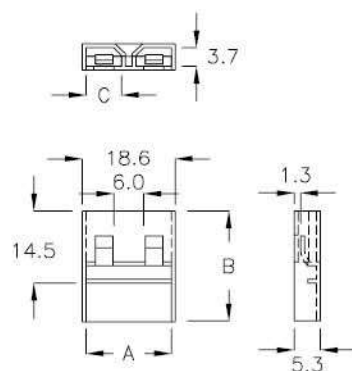


### 電容器座 E-CAP HOUSING

8-10-2

- MATERIAL: NYLON 66(UL)
- FLAME CLASS: 94V-0
- COLOR: NATURAL

| PART NO | A    | B    | C   | PACKAGE |
|---------|------|------|-----|---------|
| CWJ-01  | 17.0 | 22.0 | 7.0 | 500     |

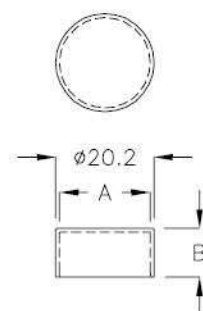


### 電容器帽套 E-CAP TUBE

8-10-3

- MATERIAL: NYLON 66(UL)
- FLAME CLASS: 94V-2
- COLOR: NATURAL

| PART NO | A     | B    | PACKAGE |
|---------|-------|------|---------|
| CWT-18A | ø18.6 | 10.0 | 100     |

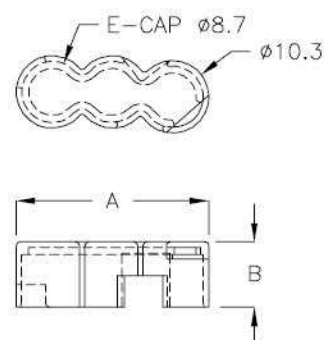


### 電容器帽套 E-CAP TUBE

8-10-4

- MATERIAL: NYLON 66(UL)
- FLAME CLASS: 94V-0
- COLOR: NATURAL

| PART NO | A     | B   | PACKAGE |
|---------|-------|-----|---------|
| DXM-27H | 27.45 | 9.3 | 500     |

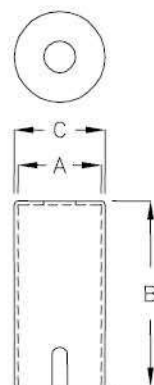




電容器帽套 E-CAP TUBE | 8-11-1 |

- MATERIAL: PP(UL)
- FLAME CLASS: 94V-0
- COLOR: BLACK

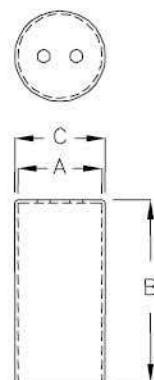
| PART NO  | A     | B    | C     | SUITABLE E-CAP | PACKAGE |
|----------|-------|------|-------|----------------|---------|
| DXA-31JK | φ10.5 | 27.5 | φ11.5 | φ9.5~φ10.2     | 500     |
| DXA-50F  | φ13.0 | 50.8 | φ14.5 | φ12.0~φ12.5    |         |



電容器帽套 E-CAP TUBE | 8-11-2 |

- MATERIAL: PP(UL)
- FLAME CLASS: 94V-0
- COLOR: BLACK

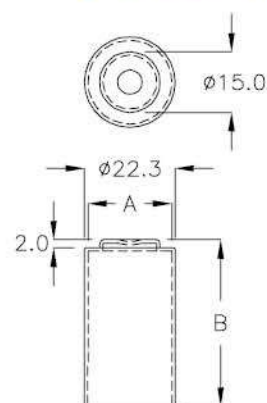
| PART NO | A     | B    | C     | SUITABLE E-CAP | PACKAGE |
|---------|-------|------|-------|----------------|---------|
| DXK-30C | φ13.0 | 30.5 | φ14.0 | φ12.0~φ12.5    | 500     |



電容器帽套 E-CAP TUBE | 8-11-3 |

- MATERIAL: NYLON 66(UL)
- FLAME CLASS: 94V-2
- COLOR: BLACK

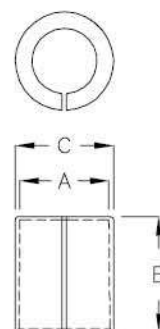
| PART NO | A     | B    | PACKAGE |
|---------|-------|------|---------|
| CWY-50  | φ20.5 | 40.9 | 100     |



電容器帽套 E-CAP TUBE | 8-11-4 |

- COLOR: BLACK

| PART NO  | MATERIAL | A     | B    | C     | SUITABLE E-CAP | PACKAGE |
|----------|----------|-------|------|-------|----------------|---------|
| DXA-16RC | PP V0    | φ12.5 | 16.0 | φ13.6 | φ11.0~φ12.0    | 500     |
| DXA-20KS | N66 V2   | φ24.0 | 20.0 | φ25.0 | φ23.5~φ24.5    |         |



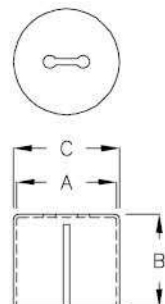


電容器帽套 E-CAP TUBE

8-12-1

- MATERIAL: PP(UL)
- FLAME CLASS: 94V-0
- COLOR: BLACK

| PART NO  | A     | B    | C     | SUITABLE E-CAP | PACKAGE |
|----------|-------|------|-------|----------------|---------|
| DXP-28CA | ø31.0 | 28.0 | ø32.0 | ø29.5~ø30.5    | 500     |

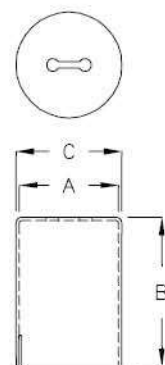


電容器帽套 E-CAP TUBE

8-12-2

- MATERIAL: PP(UL)
- FLAME CLASS: 94V-0
- COLOR: BLACK

| PART NO  | A     | B    | C     | SUITABLE E-CAP | PACKAGE |
|----------|-------|------|-------|----------------|---------|
| DXP-46FM | ø31.5 | 46.5 | ø32.9 | ø30.0~ø31.0    | 500     |

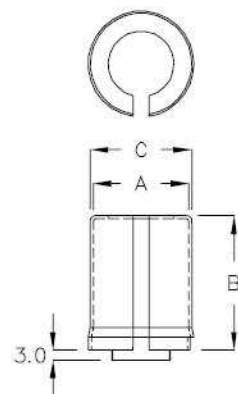


電容器帽套 E-CAP TUBE

8-12-3

- MATERIAL: NYLON 66(UL)
- FLAME CLASS: 94V-0
- COLOR: BLACK

| PART NO | A     | B    | C     | SUITABLE E-CAP | PACKAGE |
|---------|-------|------|-------|----------------|---------|
| DXA-41  | ø30.0 | 41.0 | ø31.0 | ø29.2~ø31.2    | 486     |

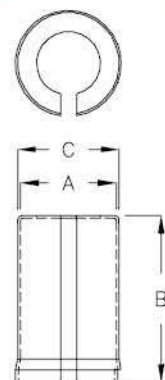


電容器帽套 E-CAP TUBE

8-12-4

- MATERIAL: NYLON 66(UL)
- FLAME CLASS: 94V-0
- COLOR: BLACK

| PART NO | A     | B    | C     | SUITABLE E-CAP | PACKAGE |
|---------|-------|------|-------|----------------|---------|
| DXA-51C | ø30.0 | 51.0 | ø31.0 | ø29.7~ø31.7    | 405     |



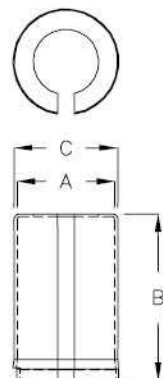


電容器帽套 E-CAP TUBE

8-13-1

- MATERIAL: PP(UL)
- FLAME CLASS: 94V-0
- COLOR: BLACK

| PART NO  | A     | B    | C     | SUITABLE E-CAP | PACKAGE |
|----------|-------|------|-------|----------------|---------|
| DXA-51FL | ∅30.0 | 51.0 | ∅31.6 | ∅29.7~∅31.7    | 405     |

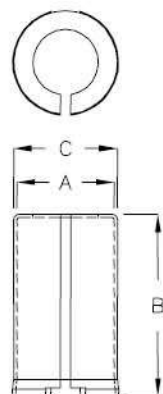


電容器帽套 E-CAP TUBE

8-13-2

- MATERIAL: PP(UL)
- FLAME CLASS: 94V-0
- COLOR: BLACK

| PART NO  | A     | B    | C     | SUITABLE E-CAP | PACKAGE |
|----------|-------|------|-------|----------------|---------|
| DXA-55KT | ∅30.0 | 55.5 | ∅31.6 | ∅29.7~∅31.7    | 405     |

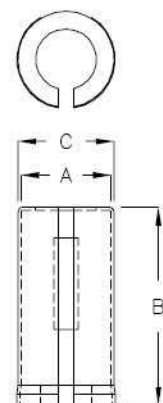


電容器帽套 E-CAP TUBE

8-13-3

- MATERIAL: PP(UL)
- FLAME CLASS: 94V-0
- COLOR: BLACK

| PART NO  | A     | B    | C     | SUITABLE E-CAP | PACKAGE |
|----------|-------|------|-------|----------------|---------|
| DXA-65BH | ∅30.0 | 65.0 | ∅31.6 | ∅29.5~∅31.0    | 324     |

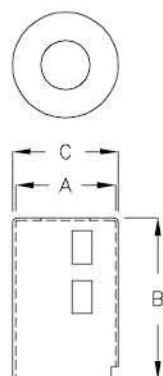


電容器帽套 E-CAP TUBE

8-13-4

- MATERIAL: PP(UL)
- FLAME CLASS: 94V-0
- COLOR: BLACK

| PART NO | A     | B    | C     | SUITABLE E-CAP | PACKAGE |
|---------|-------|------|-------|----------------|---------|
| DXS-49K | ∅31.0 | 49.0 | ∅32.0 | ∅29.5~∅30.5    | 500     |

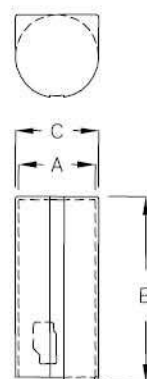




電容器帽套 E-CAP TUBE 8-14-1

- MATERIAL: PP(UL)
- FLAME CLASS: 94V-0
- COLOR: NATURAL

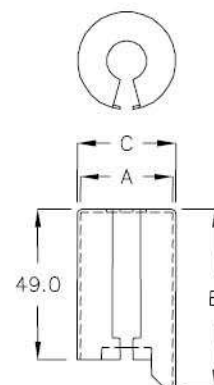
| PART NO. | A     | B    | C     | SUITABLE E-CAP | PACKAGE |
|----------|-------|------|-------|----------------|---------|
| DXF-76   | ø31.0 | 75.8 | ø32.0 | ø29.5~ø30.5    | 243     |



電容器帽套 E-CAP TUBE 8-14-2

- MATERIAL: PP(UL)
- FLAME CLASS: 94V-0
- COLOR: BLACK

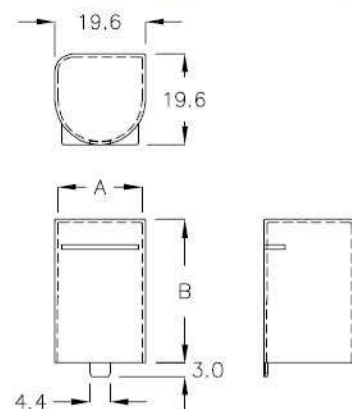
| PART NO. | A     | B    | C     | SUITABLE E-CAP | PACKAGE |
|----------|-------|------|-------|----------------|---------|
| DXC-58AS | ø31.0 | 58.0 | ø32.0 | ø29.0~ø31.0    | 324     |



電容器帽套 E-CAP TUBE 8-14-3

- MATERIAL: NYLON 66(UL)
- FLAME CLASS: 94V-0
- COLOR: BLACK

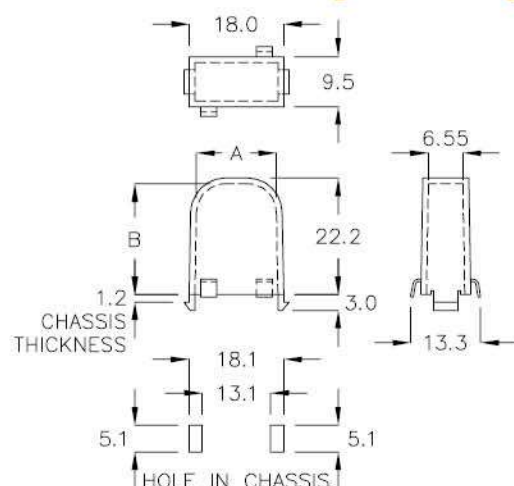
| PART NO. | A    | B    | SUITABLE E-CAP | PACKAGE |
|----------|------|------|----------------|---------|
| DXH-31M  | 18.4 | 31.0 | ø17.2~ø18.0    | 200     |



電容器座 E-CAP HOUSING 8-14-4

- MATERIAL: NYLON 66(UL)
- FLAME CLASS: 94V-2
- COLOR: BLACK

| PART NO. | A     | B    | PACKAGE |
|----------|-------|------|---------|
| CWQ-01   | 15.25 | 21.1 | 500     |





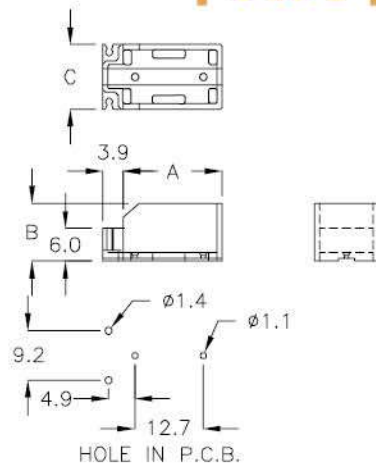


### 電感固定座 C. T. MOUNT

8-15-1

- MATERIAL: NYLON 66(UL)
- FLAME CLASS: 94V-0
- COLOR: BLACK

| PART NO | A    | B     | C    | PACKAGE |
|---------|------|-------|------|---------|
| CWP-01  | 18.4 | 10.65 | 12.0 | 500     |

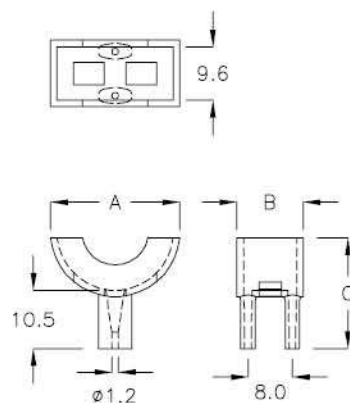


### 電感固定座 INDUCTOR HOUSING

8-15-2

- MATERIAL: PBT(UL)
- FLAME CLASS: 94V-0
- COLOR: NATURAL

| PART NO | A    | B    | C    | PACKAGE |
|---------|------|------|------|---------|
| CW-1A   | 23.3 | 12.0 | 20.0 | 1000    |

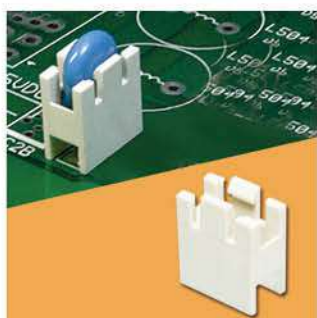
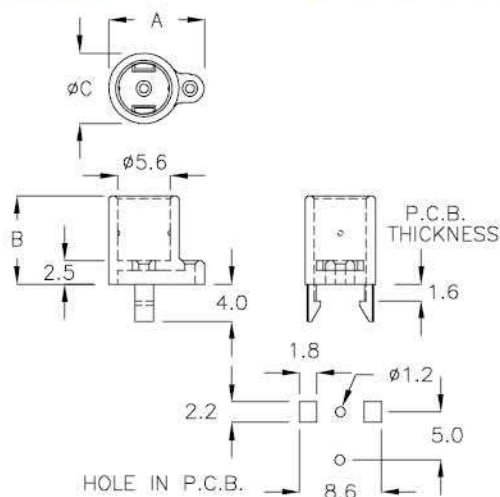


### 電感固定座 INDUCTOR HOUSING

8-15-3

- MATERIAL: NYLON 66(UL)
- FLAME CLASS: 94V-0
- COLOR: NATURAL

| PART NO | A    | B   | C   | PACKAGE |
|---------|------|-----|-----|---------|
| CW-005  | 10.4 | 9.5 | 7.6 | 2000    |

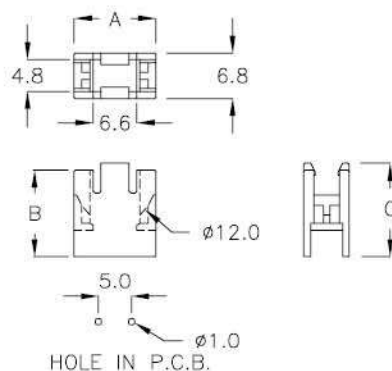


### 熱敏電阻座 PTC MOUNT

8-15-4

- MATERIAL: NYLON 66(UL)
- FLAME CLASS: 94V-0
- COLOR: NATURAL

| PART NO | A    | B    | C    | PACKAGE |
|---------|------|------|------|---------|
| PTC-2K  | 12.3 | 10.0 | 11.0 | 1000    |
| PTC-05  | 12.3 | 13.0 | 14.1 |         |

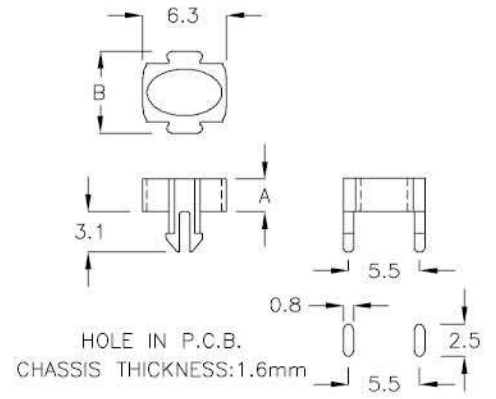




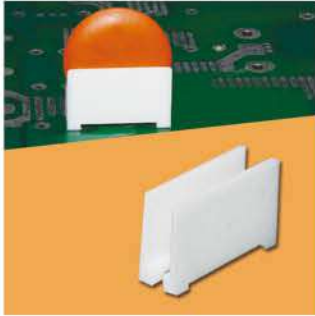
### 熱敏電阻座 NTC HOLDER

- MATERIAL: NYLON 66(UL)
- FLAME CLASS: 94V-0
- COLOR: BLACK

| PART NO | A   | B   | PACKAGE |
|---------|-----|-----|---------|
| HUG-6A  | 2.5 | 6.5 | 2000    |



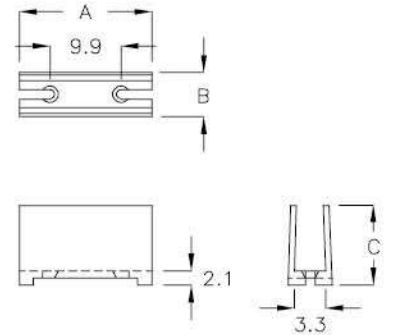
8-16-1



### 熱敏電阻座 NTC HOLDER

- MATERIAL: NYLON 66(UL)
- FLAME CLASS: 94V-0
- COLOR: NATURAL

| PART NO | A    | B   | C   | PACKAGE |
|---------|------|-----|-----|---------|
| HU-1    | 16.2 | 5.3 | 9.9 | 1000    |



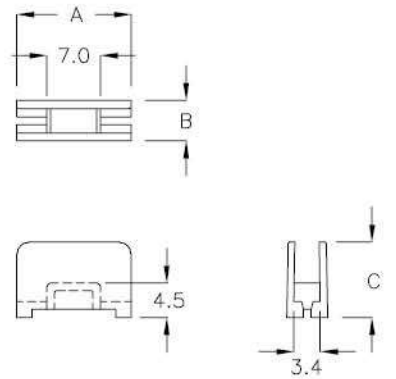
8-16-2



### 熱敏電阻座 NTC HOLDER

- MATERIAL: NYLON 66(UL)
- FLAME CLASS: 94V-0
- COLOR: NATURAL

| PART NO | A    | B   | C   | PACKAGE |
|---------|------|-----|-----|---------|
| HU-1PS  | 15.0 | 5.3 | 9.9 | 1000    |



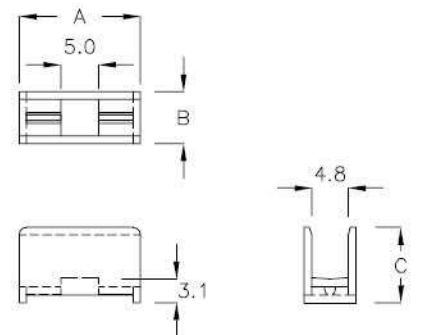
8-16-3



### 熱敏電阻座 NTC HOLDER

- MATERIAL: PPS(UL)
- FLAME CLASS: 94V-0
- COLOR: BLACK

| PART NO | A    | B   | C   | PACKAGE |
|---------|------|-----|-----|---------|
| HU-1C   | 16.0 | 6.8 | 9.9 | 1000    |



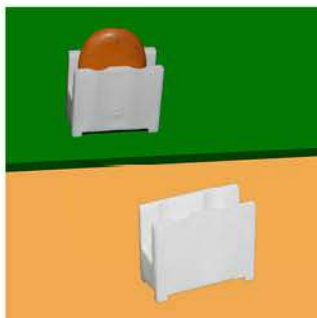
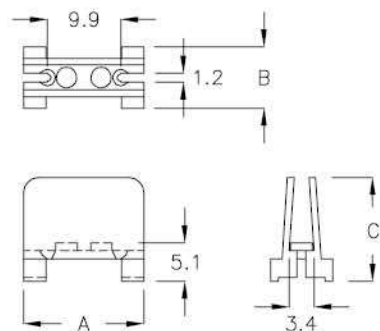
8-16-4



**熱敏電阻座 NTC HOLDER 8-17-1**

- MATERIAL: NYLON 66(UL)
- FLAME CLASS: 94V-0
- COLOR: NATURAL

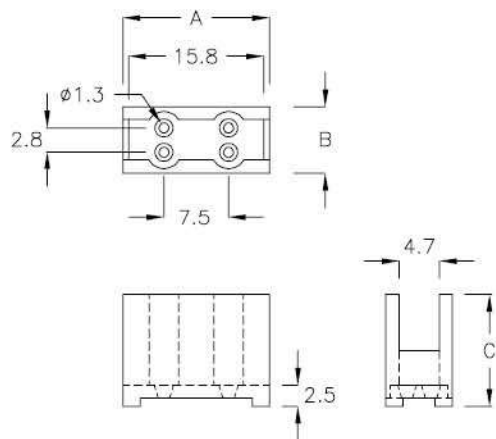
| PART NO | A    | B   | C    | PACKAGE |
|---------|------|-----|------|---------|
| HU-1A   | 16.2 | 8.3 | 13.9 | 500     |



**熱敏電阻座 NTC HOLDER 8-17-2**

- MATERIAL: PBT(UL)
- FLAME CLASS: 94V-0
- COLOR: NATURAL

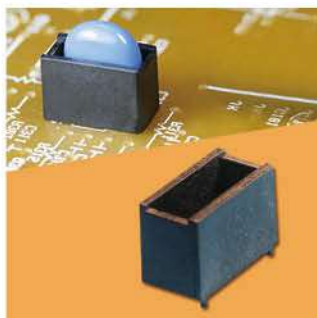
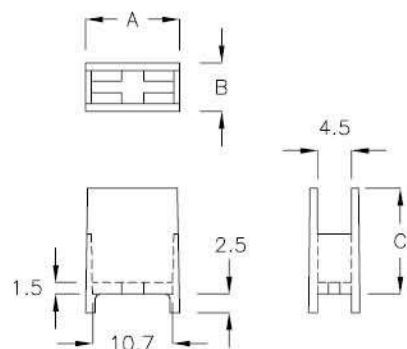
| PART NO | A    | B   | C    | PACKAGE |
|---------|------|-----|------|---------|
| HU-3    | 17.2 | 7.7 | 13.1 | 500     |



**熱敏電阻座 NTC HOLDER 8-17-3**

- MATERIAL: PPS(UL)
- FLAME CLASS: 94V-0
- COLOR: BLACK

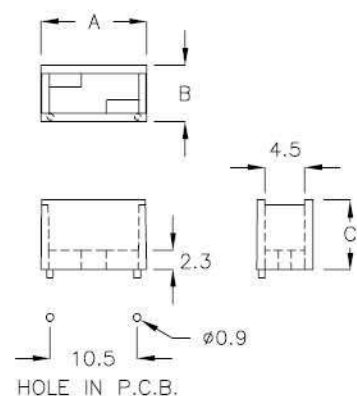
| PART NO | A    | B   | C    | PACKAGE |
|---------|------|-----|------|---------|
| HU-4    | 12.6 | 6.8 | 14.1 | 500     |

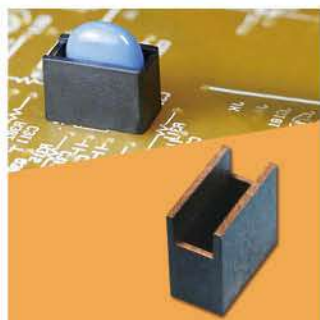


**熱敏電阻座 NTC HOLDER 8-17-4**

- MATERIAL: PPS(UL)
- FLAME CLASS: 94V-0
- COLOR: BLACK

| PART NO | A    | B   | C   | PACKAGE |
|---------|------|-----|-----|---------|
| HU-4A   | 12.7 | 6.8 | 8.5 | 500     |



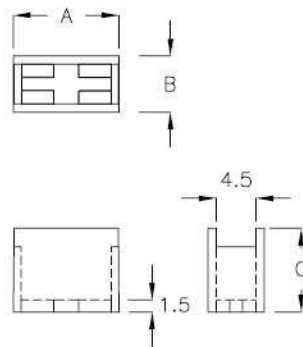


### 熱敏電阻座 NTC HOLDER

8-18-1

- MATERIAL: PPS(UL)
- FLAME CLASS: 94V-0
- COLOR: BLACK

| PART NO | A    | B   | C    | PACKAGE |
|---------|------|-----|------|---------|
| HU-4C   | 12.7 | 6.8 | 12.0 | 500     |

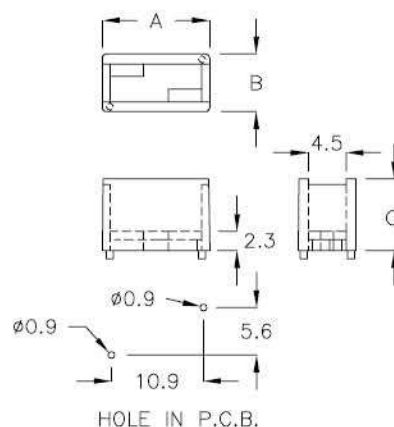


### 熱敏電阻座 NTC HOLDER

8-18-2

- MATERIAL: PPS(UL)
- FLAME CLASS: 94V-0
- COLOR: BLACK

| PART NO | A    | B   | C   | PACKAGE |
|---------|------|-----|-----|---------|
| HU-4TX  | 12.7 | 6.8 | 8.5 | 500     |

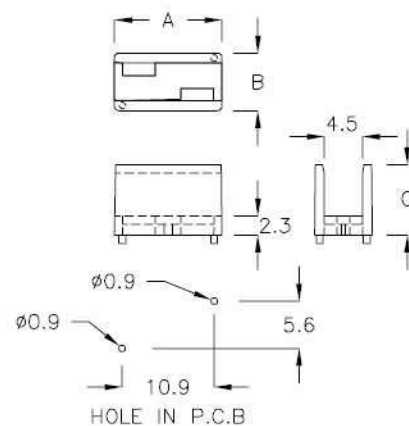


### 熱敏電阻座 NTC HOLDER

8-18-3

- MATERIAL: PPS(UL)
- FLAME CLASS: 94V-0
- COLOR: BLACK

| PART NO | A    | B   | C   | PACKAGE |
|---------|------|-----|-----|---------|
| HUX-4K  | 12.7 | 6.8 | 8.4 | 500     |

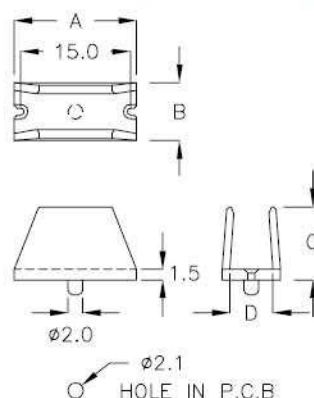


### 電容器座 CAPACITOR HOUSING

8-18-4

- MATERIAL: NYLON 66(UL)
- FLAME CLASS: 94V-0
- COLOR: NATURAL

| PART NO | A    | B   | C    | D   | PACKAGE |
|---------|------|-----|------|-----|---------|
| CWA-4A  | 16.7 | 7.9 | 10.0 | 6.5 | 200     |
| CWA-4C  | 16.7 | 7.2 | 10.0 | 5.2 |         |
| CWA-4KH | 16.7 | 7.9 | 10.0 | 5.9 |         |

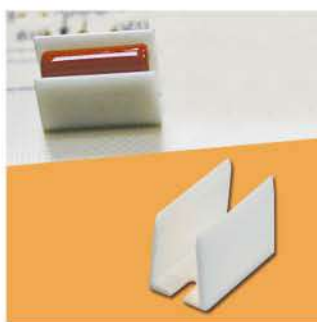
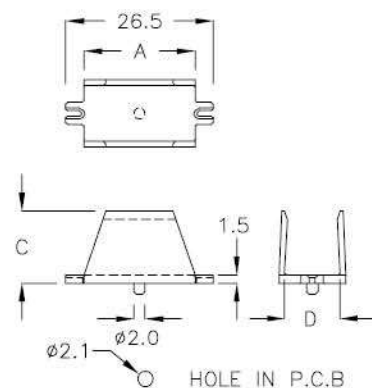




### 電容器座 CAPACITOR HOUSING 8-19-1

- MATERIAL: NYLON 66(UL)
- FLAME CLASS: 94V-0
- COLOR: NATURAL

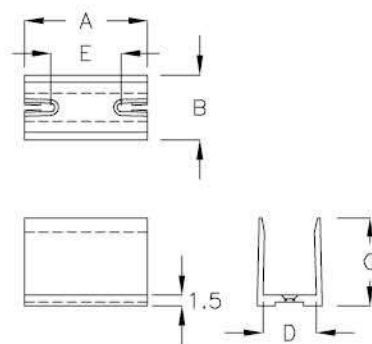
| PART NO | A    | C    | D    | PACKAGE |
|---------|------|------|------|---------|
| CWA-10  | 20.0 | 13.0 | 10.0 | 100     |



### 電容器座 CAPACITOR HOUSING 8-19-2

- MATERIAL: NYLON 66(UL)
- FLAME CLASS: 94V-0
- COLOR: NATURAL

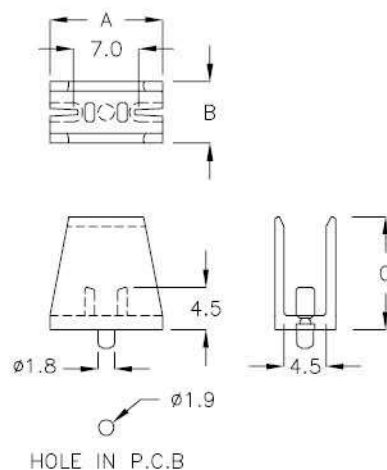
| PART NO  | A    | B    | C    | D    | E    | PACKAGE |
|----------|------|------|------|------|------|---------|
| CWR-2C   | 17.5 | 9.2  | 12.5 | 7.6  | 10.0 | 200     |
| CWR-26SK | 26.3 | 11.7 | 10.0 | 10.2 | 21.7 |         |

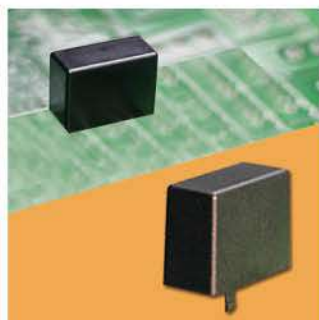


### 熱敏電阻座 NTC HOLDER 8-19-3

- MATERIAL: NYLON 66(UL)
- FLAME CLASS: 94V-0
- COLOR: NATURAL

| PART NO | A    | B   | C    | PACKAGE |
|---------|------|-----|------|---------|
| CWA-4F  | 12.0 | 6.5 | 12.0 | 500     |

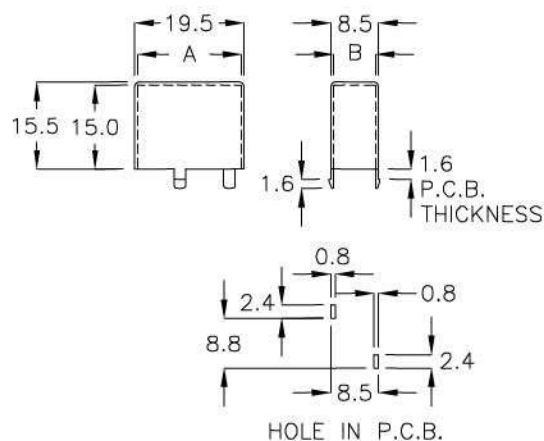




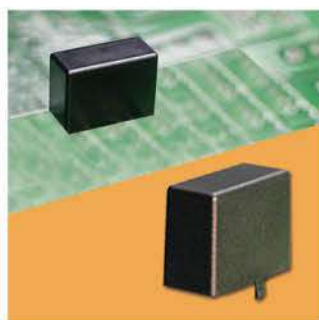
電容器座 E-CAP HOUSING

8-20-1

- MATERIAL: NYLON 66(UL)
- FLAME CLASS: 94V-0
- COLOR: BLACK



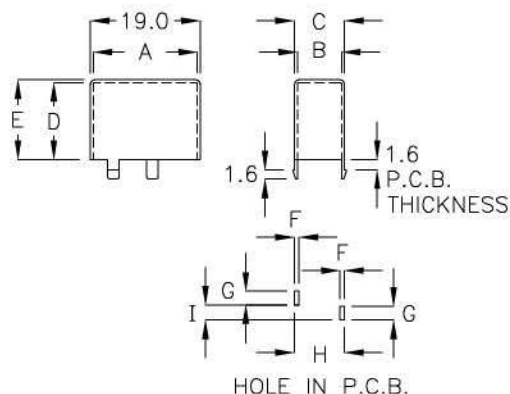
| PART NO | A    | B   | PACKAGE |
|---------|------|-----|---------|
| CWW-19H | 18.5 | 7.5 | 500     |



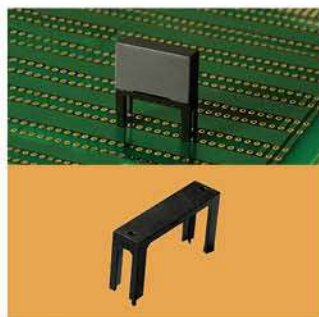
電容器座 E-CAP HOUSING

8-20-2

- MATERIAL: NYLON 66(UL)
- FLAME CLASS: 94V-0
- COLOR: BLACK



| PART NO  | A    | B    | C    | D    | E    | F    | G   | H    | I   | PACKAGE |
|----------|------|------|------|------|------|------|-----|------|-----|---------|
| CWW-19PJ | 18.0 | 7.7  | 8.7  | 13.3 | 13.8 | 0.8  | 2.4 | 8.7  | 2.2 | 500     |
| CWW-19AN | 18.0 | 16.0 | 17.0 | 16.0 | 16.5 | 1.15 | 1.9 | 17.0 | 9.0 |         |

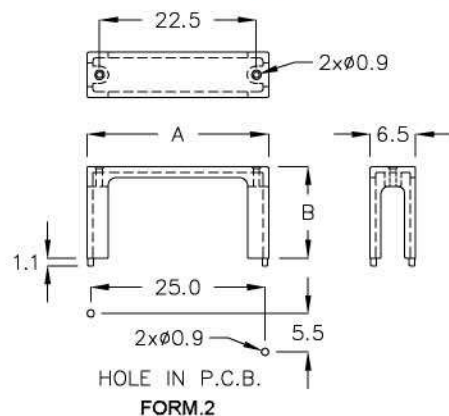


固定座 MOUNT

8-20-3

- MATERIAL: PPS(UL)
- FLAME CLASS: 94V-0
- COLOR: BLACK

NEW



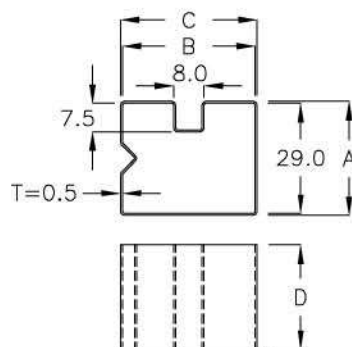
| PART NO    | A    | B    | FORM | PACKAGE |
|------------|------|------|------|---------|
| ★ MNS-26DT | 26.0 | 13.1 | 1    | 500     |
| ★ MNS-26KH | 26.0 | 10.0 | 2    |         |



電容絕緣片 E-CAP INSULATING STRIP

8-20-4

- MATERIAL: PP
- FLAME CLASS: 94V-0
- COLOR: BLACK



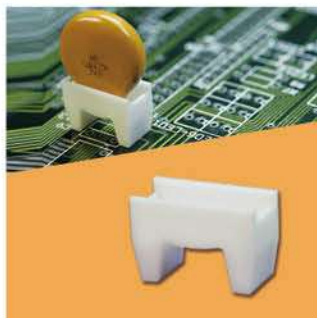
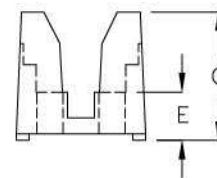
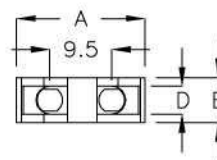
| PART NO | A    | B    | C    | D    | PACKAGE |
|---------|------|------|------|------|---------|
| CWU-36  | 30.0 | 35.0 | 36.0 | 27.5 | 675     |



### 熱敏電阻座 NTC HOLDER 8-21-1

- MATERIAL: PBT(UL)
- FLAME CLASS: 94V-0
- COLOR: NATURAL

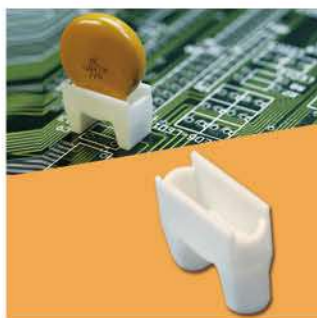
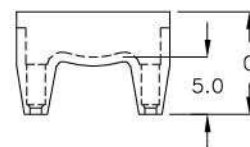
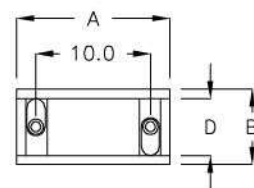
| PART NO | A    | B   | C    | D   | E   | PACKAGE |
|---------|------|-----|------|-----|-----|---------|
| HU-5    | 20.0 | 7.4 | 20.0 | 4.6 | 7.5 | 500     |
| HU-008  | 19.9 | 9.4 | 15.9 | 6.5 | 7.9 |         |



### 熱敏電阻座 NTC HOLDER 8-21-2

- MATERIAL: NYLON 66(UL)
- FLAME CLASS: 94V-0
- COLOR: NATURAL

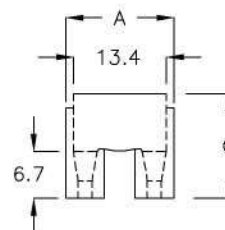
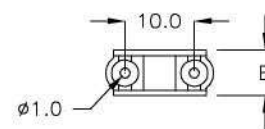
| PART NO | A    | B   | C   | D   | PACKAGE |
|---------|------|-----|-----|-----|---------|
| HU-05A  | 13.4 | 6.6 | 9.0 | 5.0 | 500     |



### Y 電容座 Y CAPACITOR HOLDER 8-21-3

- MATERIAL: NYLON 66(UL)
- FLAME CLASS: 94V-0
- COLOR: NATURAL

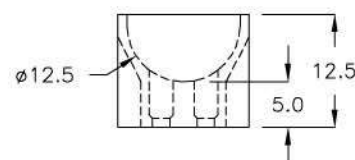
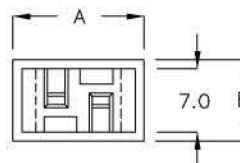
| PART NO | A    | B   | C    | PACKAGE |
|---------|------|-----|------|---------|
| HU-05D  | 15.6 | 6.6 | 15.0 | 500     |



### 熱敏電阻座 NTC HOLDER 8-21-4

- MATERIAL: PBT(UL)
- FLAME CLASS: 94V-0
- COLOR: NATURAL

| PART NO | A    | B   | PACKAGE |
|---------|------|-----|---------|
| HU-15   | 14.5 | 9.0 | 500     |



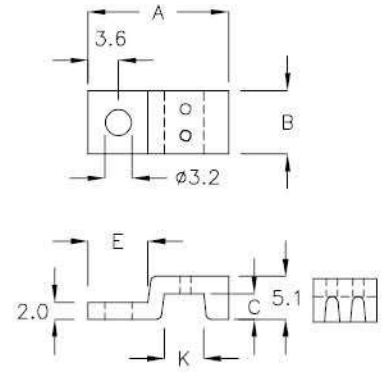


熱敏電阻座 NTC HOLDER

8-22-1

- MATERIAL: PBT(UL)
- FLAME CLASS: 94V-0
- COLOR: NATURAL

| PART NO | A    | B   | C   | E   | K   | PACKAGE |
|---------|------|-----|-----|-----|-----|---------|
| HU-7    | 16.6 | 7.5 | 3.0 | 7.1 | 4.6 | 1000    |
| HU-7FG  | 16.6 | 7.5 | 3.0 | 7.0 | 6.1 |         |
| HU-07H  | 16.6 | 7.5 | 2.6 | 7.1 | 6.1 |         |
| HU-07L  | 16.6 | 7.5 | 3.5 | 7.1 | 5.9 |         |

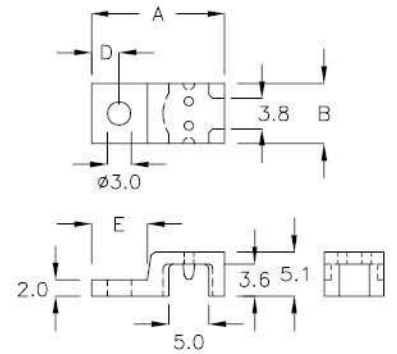


熱敏電阻座 NTC HOLDER

8-22-2

- MATERIAL: PBT(UL)
- FLAME CLASS: 94V-0
- COLOR: NATURAL

| PART NO | A    | B   | D   | E    | PACKAGE |
|---------|------|-----|-----|------|---------|
| HU-07A  | 16.7 | 7.5 | 3.5 | 7.0  | 1000    |
| HU-07K  | 19.5 | 7.5 | 3.3 | 9.8  |         |
| HU-07P  | 19.5 | 7.5 | 3.5 | 10.0 |         |

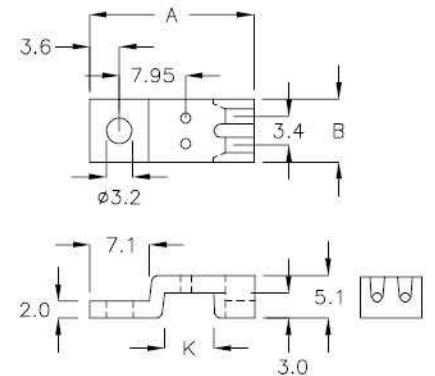


熱敏電阻座 NTC HOLDER

8-22-3

- MATERIAL: PBT(UL)
- FLAME CLASS: 94V-0
- COLOR: NATURAL

| PART NO | A    | B   | K   | PACKAGE |
|---------|------|-----|-----|---------|
| HU-07C  | 19.8 | 7.5 | 5.9 | 1000    |
| HU-07J  | 20.8 | 7.5 | 6.9 |         |
| HU-07Q  | 19.8 | 7.5 | 7.4 |         |

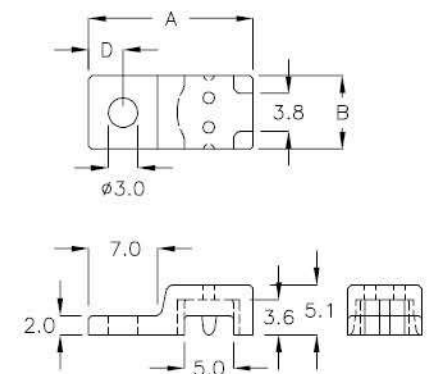


熱敏電阻座 NTC HOLDER

8-22-4

- MATERIAL: PBT(UL)
- FLAME CLASS: 94V-0
- COLOR: NATURAL

| PART NO | A    | B   | D   | PACKAGE |
|---------|------|-----|-----|---------|
| HU-7AC  | 16.7 | 7.5 | 3.5 | 1000    |



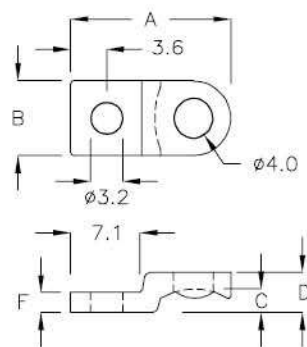




熱敏電阻座 NTC HOLDER

8-23-1

- MATERIAL: PBT(UL)
- FLAME CLASS: 94V-0
- COLOR: NATURAL



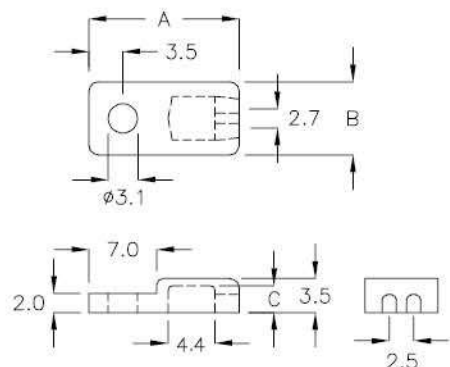
| PART NO | A    | B   | C   | D    | F    | PACKAGE |
|---------|------|-----|-----|------|------|---------|
| HU-07F  | 16.0 | 7.5 | 2.2 | 4.1  | 2.0  | 1000    |
| HU-7PK  | 16.0 | 7.5 | 2.2 | 4.15 | 2.15 |         |



熱敏電阻座 NTC HOLDER

8-23-2

- MATERIAL: PBT(UL)
- FLAME CLASS: 94V-0
- COLOR: NATURAL



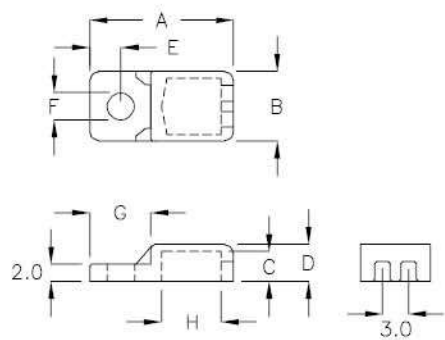
| PART NO | A    | B   | C   | PACKAGE |
|---------|------|-----|-----|---------|
| HU-07M  | 15.5 | 7.5 | 2.8 | 1000    |



熱敏電阻座 NTC HOLDER

8-23-3

- MATERIAL: PBT(UL)
- FLAME CLASS: 94V-0
- COLOR: NATURAL



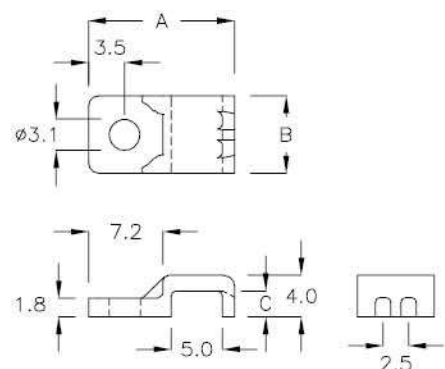
| PART NO | A     | B   | C   | D   | E   | F   | G   | H   | PACKAGE |
|---------|-------|-----|-----|-----|-----|-----|-----|-----|---------|
| HU-7WF  | 16.55 | 8.0 | 3.5 | 4.3 | 3.6 | 3.2 | 7.0 | 6.9 | 1000    |
| HU-8DM  | 16.7  | 7.5 | 3.0 | 4.0 | 3.5 | 3.0 | 8.0 | 5.7 |         |



熱敏電阻座 NTC HOLDER

8-23-4

- MATERIAL: PBT(UL)
- FLAME CLASS: 94V-0
- COLOR: NATURAL



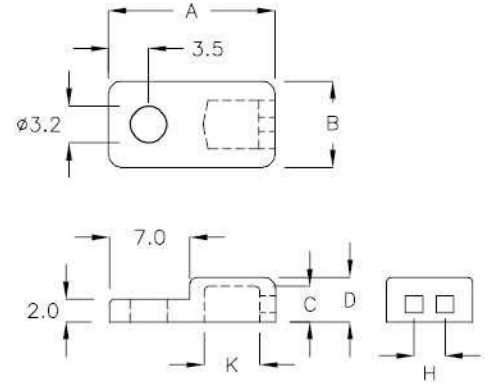
| PART NO | A    | B   | C   | PACKAGE |
|---------|------|-----|-----|---------|
| HU-7LA  | 14.2 | 7.5 | 2.5 | 1000    |



### 熱敏電阻座 NTC HOLDER

8-24-1

- MATERIAL: PBT(UL)
- FLAME CLASS: 94V-0
- COLOR: NATURAL



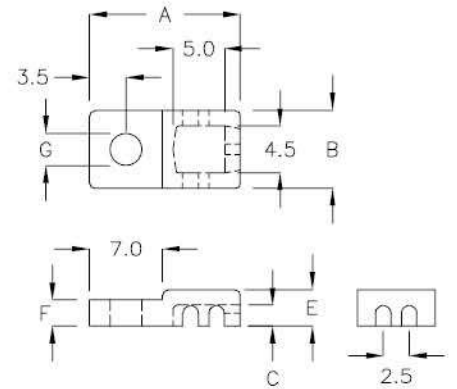
| PART NO | A    | B   | C   | D   | K    | H   | PACKAGE |
|---------|------|-----|-----|-----|------|-----|---------|
| HU-07W  | 14.5 | 7.5 | 3.1 | 3.9 | 4.85 | 2.7 | 1000    |
| HU-7AW  | 14.5 | 7.5 | 2.7 | 3.5 | 4.85 | 2.7 |         |
| HU-7WC  | 16.5 | 8.0 | 3.5 | 4.3 | 6.9  | 2.7 |         |
| HU-7WD  | 15.5 | 7.5 | 3.1 | 3.9 | 4.85 | 2.7 |         |
| HU-7QN  | 16.5 | 8.0 | 3.5 | 4.3 | 6.9  | 3.5 |         |



### 熱敏電阻座 NTC HOLDER

8-24-2

- MATERIAL: PBT(UL)
- FLAME CLASS: 94V-0
- COLOR: NATURAL



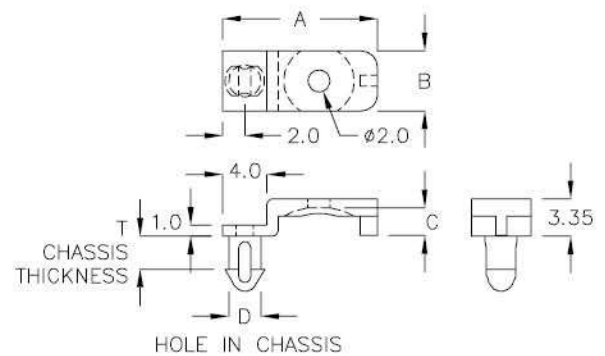
| PART NO | A    | B   | C   | E   | F   | G    | PACKAGE |
|---------|------|-----|-----|-----|-----|------|---------|
| HU-7MA  | 14.5 | 7.5 | 2.0 | 3.5 | 2.5 | ø3.2 | 1000    |
| HU-7MK  | 14.5 | 7.5 | 2.8 | 3.5 | 2.5 | ø3.1 |         |
| HU-7RH  | 14.5 | 7.5 | 1.8 | 3.3 | 2.3 | ø3.2 |         |



### 熱敏電阻座 NTC HOLDER

8-24-3

- MATERIAL: NYLON 66(UL)
- FLAME CLASS: 94V-0
- COLOR: NATURAL

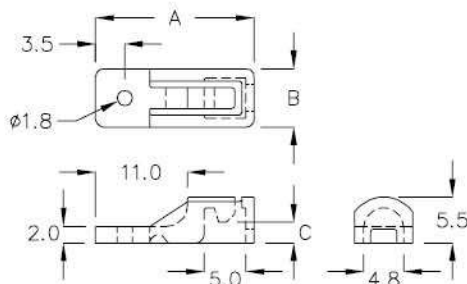


| PART NO | A    | B   | C    | D HOLE IN CHASSIS | T CHASSIS THICKNESS | PACKAGE |
|---------|------|-----|------|-------------------|---------------------|---------|
| HU-07U  | 14.0 | 5.4 | 2.55 | ø3.0              | 2.8                 | 1000    |



**熱敏電阻座 NTC HOLDER** | 8-25-1 |

- MATERIAL: NYLON 66(UL)
- FLAME CLASS: 94V-0
- COLOR: NATURAL

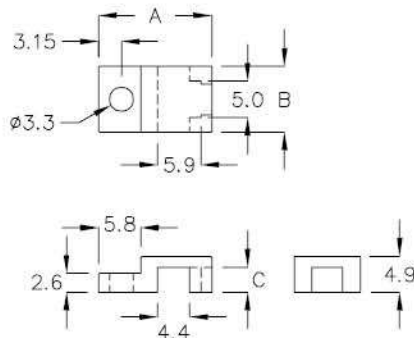


| PART NO | A    | B   | C   | PACKAGE |
|---------|------|-----|-----|---------|
| HUH-19  | 19.0 | 7.0 | 2.5 | 500     |



**熱敏電阻座 NTC HOLDER** | 8-25-2 |

- MATERIAL: PBT(UL)
- FLAME CLASS: 94V-0
- COLOR: NATURAL

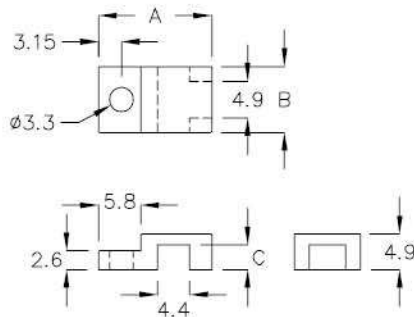


| PART NO | A    | B   | C   | PACKAGE |
|---------|------|-----|-----|---------|
| HU-09   | 15.5 | 9.0 | 3.4 | 1000    |



**熱敏電阻座 NTC HOLDER** | 8-25-3 |

- MATERIAL: PBT(UL)
- FLAME CLASS: 94V-0
- COLOR: NATURAL

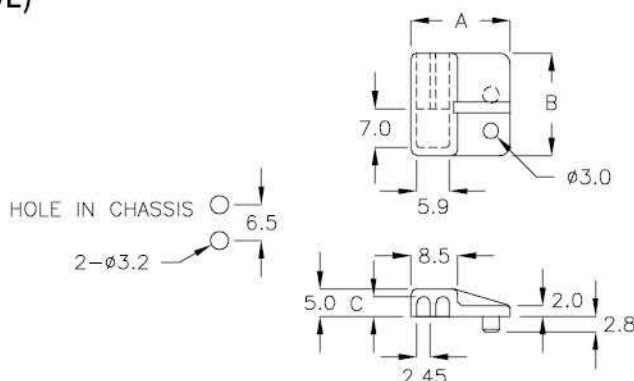


| PART NO | A    | B   | C   | PACKAGE |
|---------|------|-----|-----|---------|
| HU-09A  | 15.5 | 9.0 | 3.4 | 1000    |



**熱敏電阻座 NTC HOLDER** | 8-25-4 |

- MATERIAL: NYLON 66(UL)
- FLAME CLASS: 94V-0
- COLOR: NATURAL



| PART NO | A    | B    | C   | PACKAGE |
|---------|------|------|-----|---------|
| HU-09D  | 18.0 | 18.6 | 3.6 | 1000    |

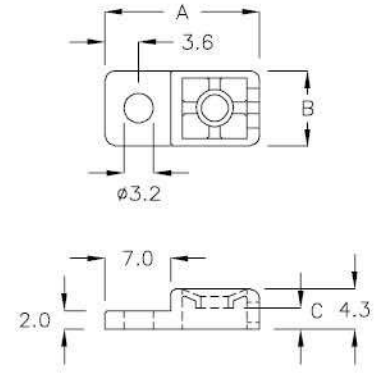


### 熱敏電阻座 NTC HOLDER

8-26-1

- MATERIAL: NYLON 66(UL)
- FLAME CLASS: 94V-0
- COLOR: NATURAL

| PART NO | A     | B   | C   | PACKAGE |
|---------|-------|-----|-----|---------|
| HUD-01  | 16.55 | 8.0 | 2.3 | 1000    |

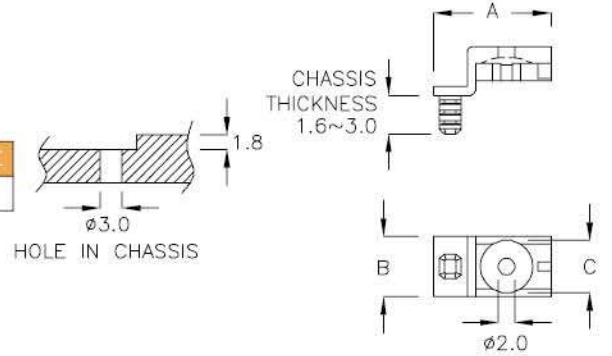


### 熱敏電阻座 NTC HOLDER

8-26-2

- MATERIAL: NYLON 66(UL)
- FLAME CLASS: 94V-0
- COLOR: NATURAL

| PART NO | A    | B   | C   | PACKAGE |
|---------|------|-----|-----|---------|
| HUA-04  | 14.0 | 7.2 | 6.2 | 1000    |

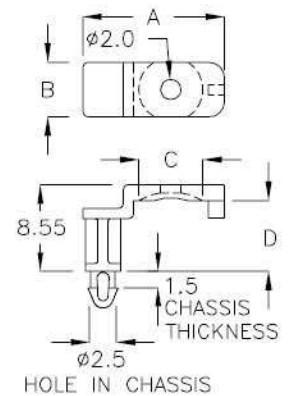


### 熱敏電阻座 NTC HOLDER

8-26-3

- MATERIAL: NYLON 66(UL)
- FLAME CLASS: 94V-0
- COLOR: NATURAL

| PART NO | A    | B   | C    | D   | PACKAGE |
|---------|------|-----|------|-----|---------|
| HU-7FT  | 14.0 | 5.4 | 6.35 | 7.0 | 1000    |

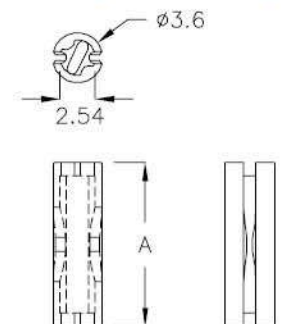


### 熱敏電阻座 NTC HOLDER

8-26-4

- MATERIAL: NYLON 66(UL)
- FLAME CLASS: 94V-2
- COLOR: NATURAL

| PART NO  | A    | PACKAGE |
|----------|------|---------|
| HUL-12CP | 12.0 | 1000    |



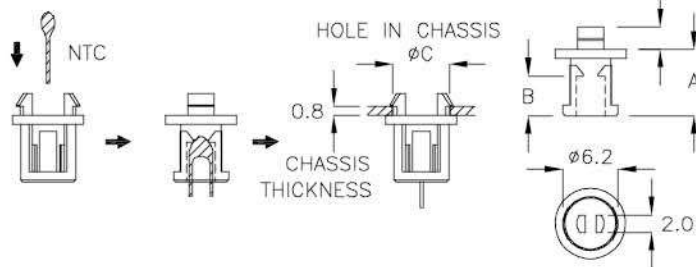


### 熱敏電阻座 NTC HOLDER

8-27-1

- MATERIAL: NYLON 66(UL)
- FLAME CLASS: 94V-0
- COLOR: BLACK

| PART NO | A   | B   | C   | PACKAGE |
|---------|-----|-----|-----|---------|
| HUC-01  | 7.5 | 4.5 | 6.4 | 2000    |

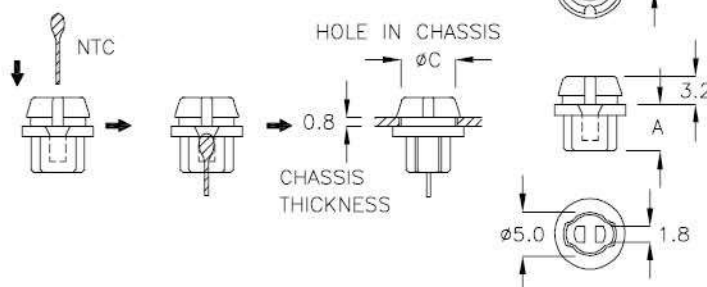


### 熱敏電阻座 NTC HOLDER

8-27-2

- MATERIAL: TPR(UL)
- COLOR: BLACK

| PART NO | A   | B   | C   | PACKAGE |
|---------|-----|-----|-----|---------|
| HUC-02  | 5.2 | 1.8 | 6.4 | 2000    |

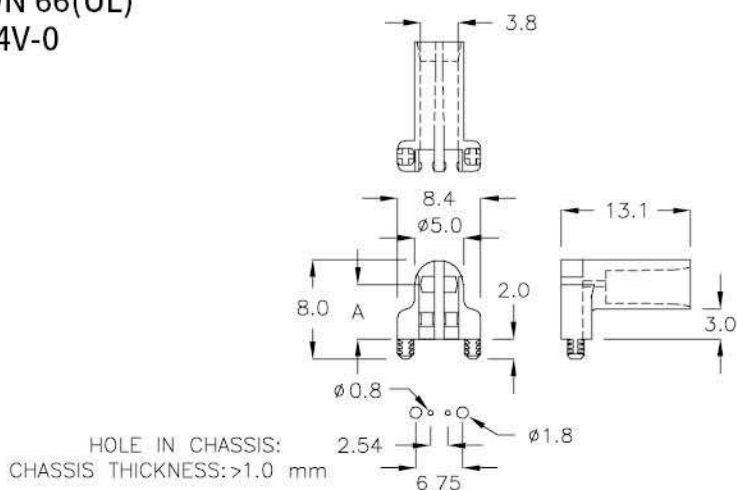


### 熱敏電阻座 NTC HOLDER

8-27-3

- MATERIAL: NYLON 66(UL)
- FLAME CLASS: 94V-0
- COLOR: BLACK

| PART NO | A   | PACKAGE |
|---------|-----|---------|
| HUP-05  | 5.5 | 500     |



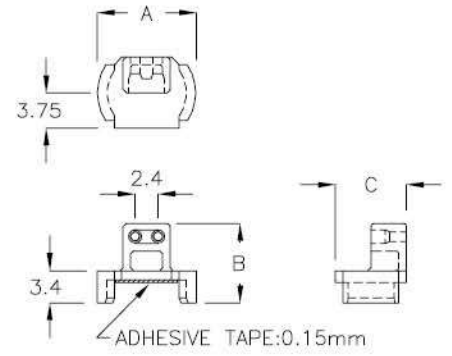


### 熱敏電阻座 NTC HOLDER

8-28-1

- MATERIAL: NYLON 66(UL)
- FLAME CLASS: 94V-0
- COLOR: NATURAL

| PART NO | A    | B   | C   | PACKAGE |
|---------|------|-----|-----|---------|
| DXW-8A  | 10.5 | 8.4 | 7.5 | 1000    |

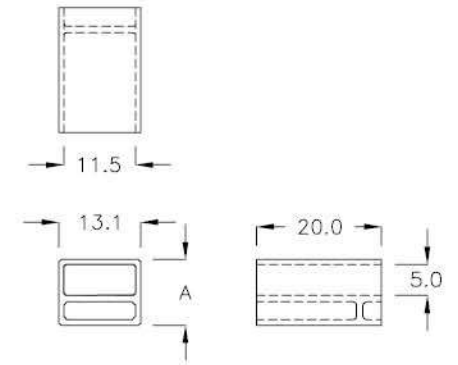


### 熱敏電阻座 NTC HOLDER

8-28-2

- MATERIAL: PPS(UL)
- FLAME CLASS: 94V-0
- COLOR: BLACK

| PART NO | A    | PACKAGE |
|---------|------|---------|
| HUM-20K | 10.6 | 500     |

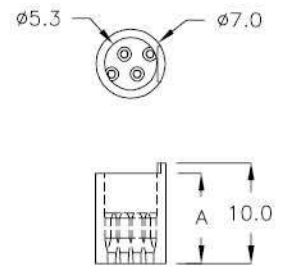


### 光感應器座 LIGHT SENSOR HOLDER

8-28-3

- MATERIAL: NYLON 66(UL)
- FLAME CLASS: 94V-2
- COLOR: NATURAL

| PART NO | A   | PACKAGE |
|---------|-----|---------|
| MTU-09  | 9.0 | 1000    |

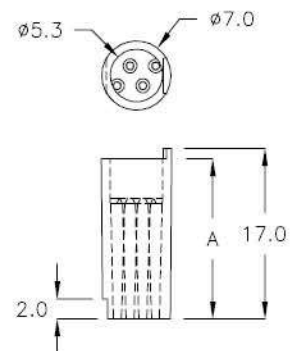


### 光感應器座 LIGHT SENSOR HOLDER

8-28-4

- MATERIAL: NYLON 66(UL)
- FLAME CLASS: 94V-2
- COLOR: NATURAL

| PART NO | A    | PACKAGE |
|---------|------|---------|
| MTU-16D | 16.0 | 500     |



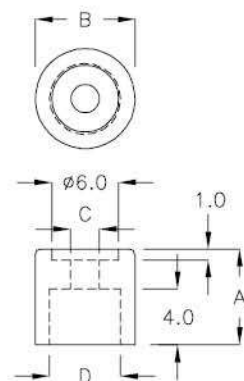


華司 WASHER

8-29-1

- MATERIAL: NYLON 66(UL)
- FLAME CLASS: 94V-2
- COLOR: NATURAL

| PART NO | A   | B    | C    | D    | PACKAGE |
|---------|-----|------|------|------|---------|
| U-6A    | 6.5 | ø9.0 | ø2.6 | ø6.4 | 2000    |

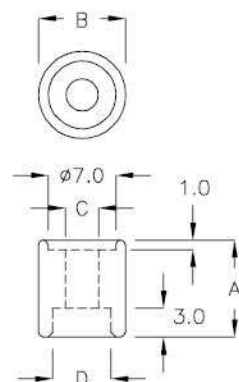


華司 WASHER

8-29-2

- MATERIAL: NYLON 66(UL)
- FLAME CLASS: 94V-2
- COLOR: NATURAL

| PART NO | A    | B    | C    | D    | PACKAGE |
|---------|------|------|------|------|---------|
| U-10A   | 10.0 | ø9.0 | ø3.4 | ø6.0 | 1000    |

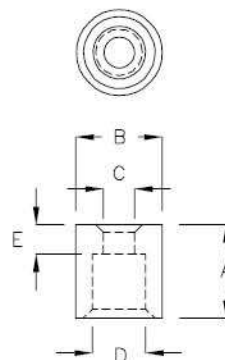


華司 WASHER

8-29-3

- MATERIAL: NYLON 66(UL)
- FLAME CLASS: 94V-2
- COLOR: NATURAL

| PART NO | A   | B    | C    | D    | E   | PACKAGE |
|---------|-----|------|------|------|-----|---------|
| UWA-01  | 9.9 | ø9.2 | ø3.3 | ø5.6 | 3.1 | 1000    |

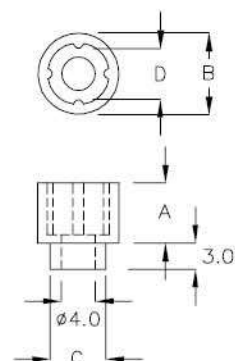


圓體間隔柱 SPACER SUPPORT

8-29-4

- MATERIAL: NYLON 66(UL)
- FLAME CLASS: 94V-2
- COLOR: NATURAL

| PART NO | A   | B    | C    | D    | PACKAGE |
|---------|-----|------|------|------|---------|
| UWB-07  | 7.0 | ø9.4 | ø6.5 | ø5.9 | 1000    |

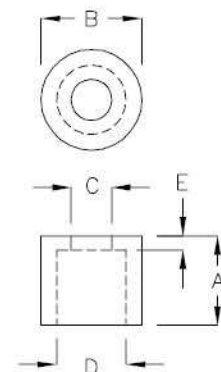




華司 WASHER

8-30-1

- MATERIAL: NYLON 66(UL)
- FLAME CLASS: 94V-2
- COLOR: NATURAL



| PART NO | A    | φB   | φC  | φD  | E    | PACKAGE |
|---------|------|------|-----|-----|------|---------|
| U-2DK   | 2.5  | 7.0  | 3.8 | 5.0 | 1.0  | 2000    |
| U-3     | 3.2  | 6.0  | 3.1 | 4.4 | 0.7  |         |
| U-3A    | 3.2  | 6.0  | 3.0 | 5.0 | 1.2  |         |
| U-3C    | 3.0  | 5.0  | 2.2 | 4.0 | 0.5  |         |
| U-3S    | 3.3  | 5.0  | 2.2 | 4.1 | 1.3  |         |
| U-4     | 4.2  | 6.0  | 2.2 | 4.3 | 1.3  |         |
| U-04D   | 4.8  | 10.5 | 6.2 | 9.4 | 0.5  |         |
| U-4FR   | 4.5  | 8.5  | 4.5 | 7.0 | 1.0  |         |
| U-4HK   | 4.5  | 9.1  | 5.5 | 6.8 | 2.7  |         |
| U-4S    | 4.3  | 5.0  | 2.2 | 4.2 | 1.2  |         |
| U-4WP   | 4.25 | 8.0  | 5.2 | 7.1 | 2.25 |         |
| U-5     | 4.6  | 8.0  | 4.0 | 6.5 | 1.6  |         |
| U-5C    | 5.6  | 8.0  | 4.0 | 6.5 | 1.6  |         |
| U-5H    | 5.0  | 9.0  | 5.3 | 8.0 | 0.5  |         |

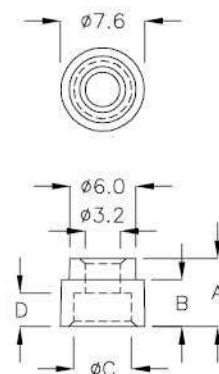
| PART NO | A    | φB   | φC  | φD   | E    | PACKAGE |
|---------|------|------|-----|------|------|---------|
| U-5T    | 5.0  | 9.5  | 6.0 | 8.5  | 0.5  | 2000    |
| U-05D   | 5.7  | 8.0  | 3.5 | 6.1  | 0.5  |         |
| U-6     | 6.5  | 8.0  | 3.5 | 6.1  | 0.85 |         |
| U-06C   | 6.0  | 10.5 | 6.5 | 9.5  | 0.5  |         |
| U-06D   | 6.5  | 10.4 | 6.9 | 9.4  | 0.5  | 1000    |
| U-7     | 7.7  | 11.0 | 3.2 | 6.7  | 2.1  | 2000    |
| U-7A    | 3.5  | 8.0  | 3.5 | 5.7  | 1.2  |         |
| U-07C   | 7.0  | 10.0 | 3.5 | 7.5  | 2.0  | 1000    |
| U-8     | 7.7  | 11.0 | 4.0 | 7.1  | 1.6  |         |
| U-8A    | 7.5  | 12.4 | 8.2 | 11.4 | 0.5  |         |
| U-8S    | 7.7  | 11.0 | 4.0 | 7.1  | 2.0  |         |
| U-10    | 3.6  | 12.0 | 4.0 | 10.1 | 1.5  |         |
| U-12    | 12.0 | 10.0 | 3.2 | 6.3  | 1.5  |         |
| U-12A   | 12.0 | 8.5  | 4.5 | 7.0  | 6.0  |         |



華司 WASHER

8-30-2

- MATERIAL: NYLON 66(UL)
- FLAME CLASS: 94V-2
- COLOR: NATURAL



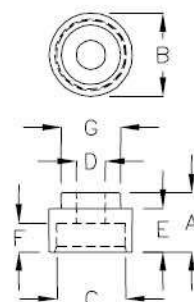
| PART NO | A   | B   | C   | D   | PACKAGE |
|---------|-----|-----|-----|-----|---------|
| UWC-01  | 6.1 | 4.2 | 5.2 | 3.0 | 1000    |



華司 WASHER

8-30-3

- FLAME CLASS: 94V-0
- COLOR: NATURAL



| PART NO | MATERIAL | A   | B     | C    | D    | E   | F   | G    | PACKAGE |
|---------|----------|-----|-------|------|------|-----|-----|------|---------|
| UWT-5AC | N66      | 6.6 | φ8.1  | φ7.2 | φ3.1 | 5.0 | 4.2 | φ4.0 | 1000    |
| UWT-6QR | PBT      | 8.2 | φ11.5 | φ9.5 | φ4.1 | 6.0 | 4.0 | φ8.2 | 2000    |

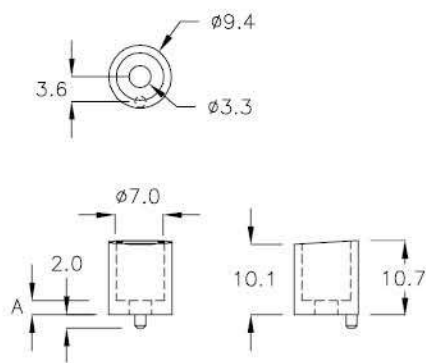




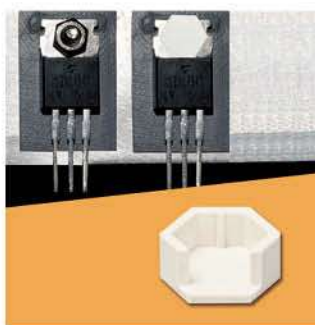
**華司 WASHER**

**8-31-1**

- MATERIAL: NYLON 66(UL)
- FLAME CLASS: 94V-2
- COLOR: NATURAL



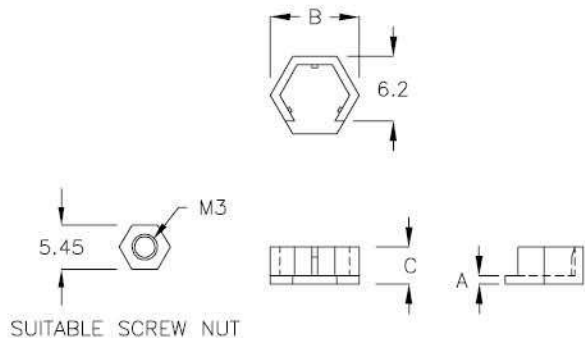
| PART NO | A   | PACKAGE |
|---------|-----|---------|
| WRA-02  | 1.0 | 1000    |



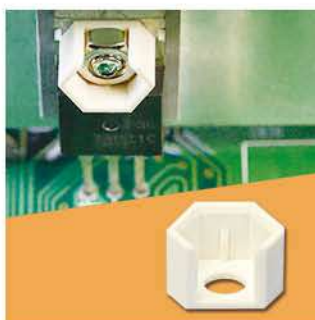
**華司 WASHER**

**8-31-2**

- MATERIAL: NYLON 46(UL)
- FLAME CLASS: 94V-0
- COLOR: NATURAL
- SUITABLE NUT: M3 NUT



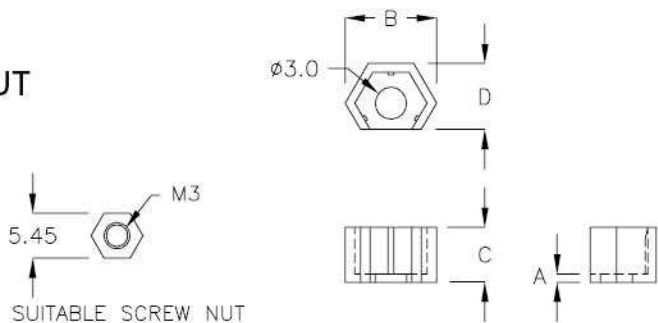
| PART NO | A   | B   | C   | PACKAGE |
|---------|-----|-----|-----|---------|
| U-05M   | 0.8 | 8.6 | 3.6 | 2000    |



**華司 WASHER**

**8-31-3**

- MATERIAL: NYLON 46(UL)
- FLAME CLASS: 94V-0
- COLOR: NATURAL
- SUITABLE NUT: M3 NUT



| PART NO | A   | B   | C   | D    | PACKAGE |
|---------|-----|-----|-----|------|---------|
| U-05J   | 0.8 | 8.6 | 5.2 | 6.25 | 2000    |
| U-05Y   | 0.8 | 7.8 | 4.0 | 5.8  |         |
| U-5QF   | 0.8 | 8.6 | 4.0 | 6.25 |         |

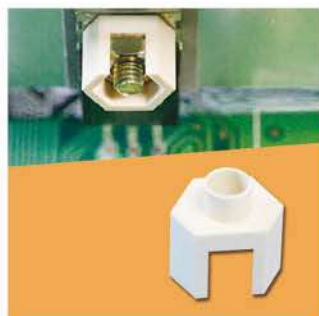
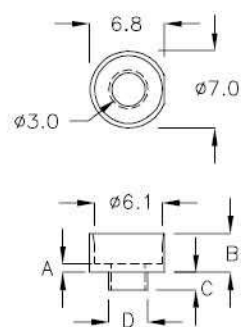


### 華司 WASHER

8-32-1

- FLAME CLASS: 94V-0
- COLOR: NATURAL, BLACK

| PART NO | MATERIAL | A   | B   | C   | D    | PACKAGE |
|---------|----------|-----|-----|-----|------|---------|
| U-03D   | N46      | 0.8 | 3.5 | 1.6 | φ3.5 | 2000    |
| U-03F   | N46      | 0.8 | 3.8 | 2.2 | φ3.5 |         |
| U-03L   | N46      | 0.8 | 5.0 | 1.6 | φ3.5 |         |
| U-03R   | N46      | 0.8 | 2.5 | 2.2 | φ3.5 |         |
| U-4RY   | N66      | 0.8 | 4.0 | 3.5 | φ3.8 |         |
| U-4XQ   | PPS      | 0.8 | 3.9 | 2.0 | φ3.5 |         |
| U-5AB   | N46      | 1.9 | 4.9 | 2.4 | φ3.5 |         |
| U-5AF   | N46      | 1.9 | 3.9 | 2.4 | φ3.5 |         |
| U-5KW   | N46      | 1.9 | 4.9 | 3.6 | φ5.0 |         |

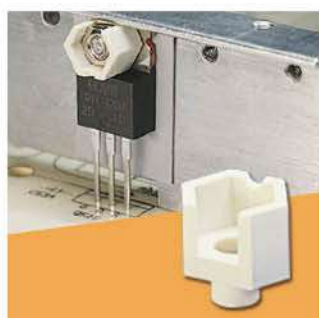
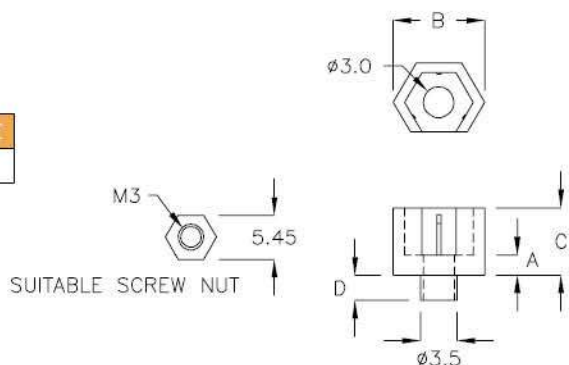


### 華司 WASHER

8-32-2

- MATERIAL: NYLON 46(UL)
- FLAME CLASS: 94V-0
- COLOR: NATURAL
- SUITABLE NUT: M3 NUT

| PART NO | A   | B   | C   | D   | PACKAGE |
|---------|-----|-----|-----|-----|---------|
| U-5CG   | 1.9 | 8.6 | 6.4 | 2.4 | 2000    |

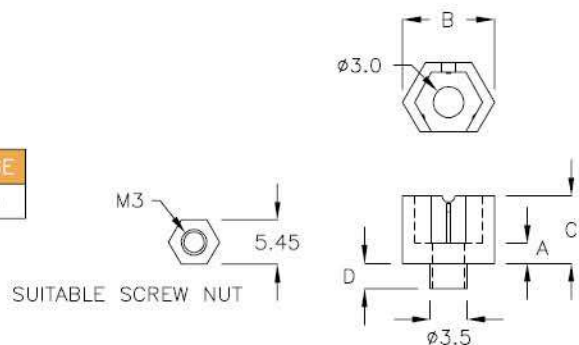


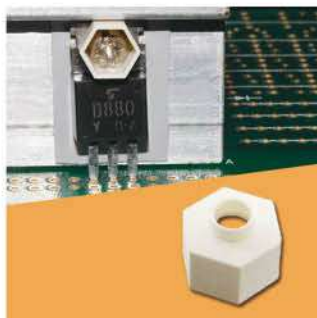
### 華司 WASHER

8-32-3

- MATERIAL: NYLON 46(UL)
- FLAME CLASS: 94V-0
- COLOR: NATURAL
- SUITABLE NUT: M3 NUT

| PART NO | A   | B   | C   | D   | PACKAGE |
|---------|-----|-----|-----|-----|---------|
| U-5NR   | 1.9 | 8.6 | 6.0 | 2.2 | 2000    |



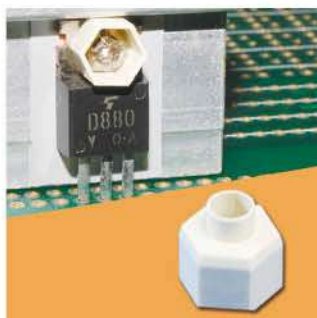
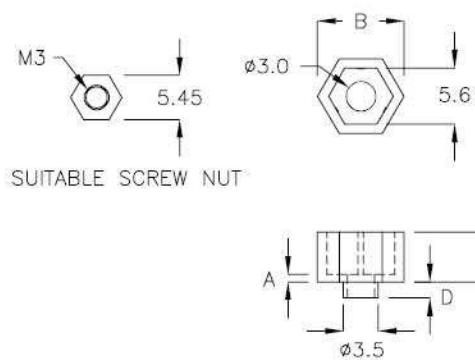


華司 WASHER

8-33-1

- MATERIAL: NYLON 46(UL)
- FLAME CLASS: 94V-0
- COLOR: NATURAL
- SUITABLE NUT: M3 NUT

| PART NO | A   | B   | C   | D   | PACKAGE |
|---------|-----|-----|-----|-----|---------|
| U-05L   | 0.8 | 8.6 | 5.0 | 1.6 | 2000    |
| U-05K   | 0.8 | 8.6 | 5.2 | 2.2 |         |
| U-05W   | 0.8 | 8.6 | 4.0 | 1.6 |         |
| U-5CF   | 1.9 | 8.6 | 6.3 | 2.4 |         |
| U-5CH   | 0.8 | 8.6 | 5.2 | 1.6 |         |

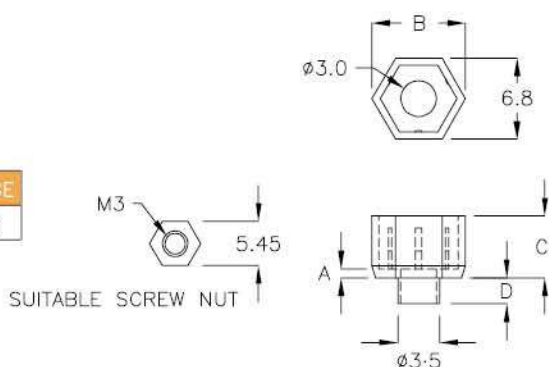


華司 WASHER

8-33-2

- MATERIAL: NYLON 66(UL)
- FLAME CLASS: 94V-0
- COLOR: NATURAL
- SUITABLE NUT: M3 NUT

| PART NO | A   | B    | C   | D   | PACKAGE |
|---------|-----|------|-----|-----|---------|
| U-05P   | 0.8 | 7.85 | 5.2 | 2.2 | 2000    |

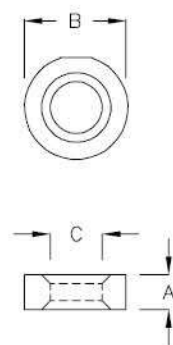


華司 WASHER

8-33-3

- MATERIAL: NYLON 66(UL)
- FLAME CLASS: 94V-2
- COLOR: BLACK
- WITH COUNTERSUNK SCREW

| PART NO | A   | B    | C    | PACKAGE |
|---------|-----|------|------|---------|
| WS-3KP  | 2.0 | ø6.0 | ø3.0 | 2000    |
| WS-3MD  | 2.0 | ø6.0 | ø3.7 |         |
| WS-3QR  | 1.8 | ø5.8 | ø3.5 |         |

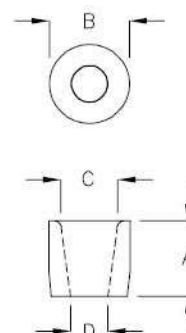


華司 WASHER

8-33-4

- MATERIAL: NYLON 66(UL)
- FLAME CLASS: 94V-2
- COLOR: BLACK

| PART NO | A   | B    | C    | D    | PACKAGE |
|---------|-----|------|------|------|---------|
| SHC-06  | 6.0 | ø6.5 | ø4.6 | ø3.0 | 2000    |



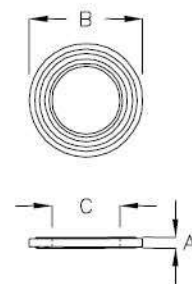


### O 型環 ORING

8-34-1

- MATERIAL: SILICONE
- COLOR: BLACK

| PART NO | A   | B     | C      | PACKAGE |
|---------|-----|-------|--------|---------|
| OPW-7A  | 1.5 | ∅13.5 | ∅7.2   | 1000    |
| OPW-9CD | 1.5 | ∅15.5 | ∅9.3   |         |
| OPW-15D | 1.8 | ∅21.4 | ∅15.65 |         |
| OPW-19M | 1.8 | ∅26.7 | ∅19.5  |         |
| OPW-20  | 1.8 | ∅28.2 | ∅20.0  |         |
| OPW-24A | 2.0 | ∅31.5 | ∅24.3  |         |

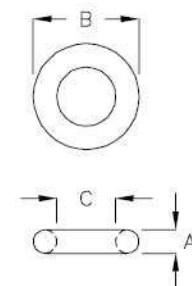


### O 型環 ORING

8-34-2

- MATERIAL: SILICONE
- COLOR: BLACK,ORANGE

| PART NO | A   | B     | C     | PACKAGE |
|---------|-----|-------|-------|---------|
| OIL-02C | 1.0 | ∅4.5  | ∅2.5  | 5000    |
| OIL-10  | 1.5 | ∅13.0 | ∅10.0 | 2000    |

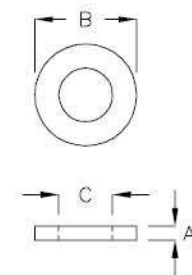


### 華司 WASHER

8-34-3

- MATERIAL: SILICONE
- COLOR: BLACK

| PART NO  | A   | B     | C     | PACKAGE |
|----------|-----|-------|-------|---------|
| UWX-11   | 1.5 | ∅11.0 | ∅5.8  | 1000    |
| WSR-11RM | 1.5 | ∅18.0 | ∅11.9 | 2500    |

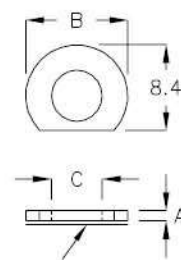


### 華司 WASHER

8-34-4

- MATERIAL: SILICONE
- COLOR: BLACK
- ADHESIVE TAPE: 3M or EQUIVALENT

| PART NO | A   | B     | C    | PACKAGE |
|---------|-----|-------|------|---------|
| WSU-10  | 1.0 | ∅10.0 | ∅5.0 | 2000    |



DOUBLE COATED TAPE

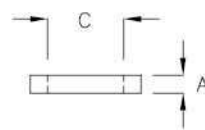
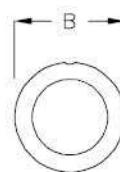


### 華司 WASHER

8-35-1

- MATERIAL: NYLON 66(UL)
- FLAME CLASS: 94V-2
- COLOR: NATURAL

| PART NO | A   | B     | C     | PACKAGE |
|---------|-----|-------|-------|---------|
| MYC-18Y | 0.5 | ø18.7 | ø14.5 | 1000    |



### 螺絲蓋 SCREW COVER

8-35-2

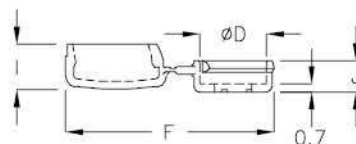
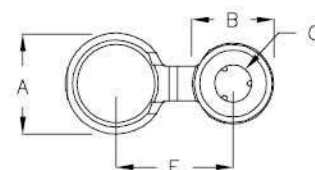
- MATERIAL: NYLON 66(UL)
- FLAME CLASS: 94V-2
- COLOR: BLACK

美觀保護螺絲

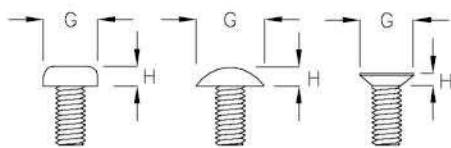
Better appearance and with Protection.

如有其他顏色需求, 歡迎來電詢問

If you have other color request, kindly feel free to contact with us.



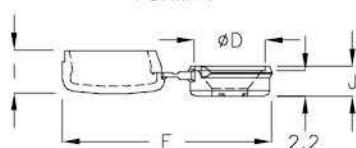
FORM.4



FORM.1

FORM.2

FORM.3



FORM.5

| PART NO   | A     | B     | C    | D    | E    | F    | I   | J   | SUITABLE SCREW |      |     |     | PACKAGE |      |
|-----------|-------|-------|------|------|------|------|-----|-----|----------------|------|-----|-----|---------|------|
|           |       |       |      |      |      |      |     |     | SCREW          | FORM | G   | H   |         |      |
| M3P-8A    | ø8.7  | ø6.7  | ø3.2 | ø5.7 | 10.0 | 17.9 | 3.9 | 2.7 | M3             | 1    | 5.5 | 2.0 | 4       | 1000 |
| M3T-10K   | ø10.1 | ø8.1  | ø3.2 | ø7.1 | 11.4 | 20.7 | 3.9 | 2.7 | M3             | 2    | 6.9 | 1.9 | 4       |      |
| M3F-9W    | ø9.2  | ø7.2  | ø3.2 | ø6.2 | 10.5 | 18.9 | 4.1 | 3.0 | M3             | 3    | 6.0 | 1.8 | 5       |      |
| M4P-10A   | ø10.2 | ø8.2  | ø4.2 | ø7.2 | 11.5 | 20.9 | 4.4 | 3.3 | M4             | 1    | 7.0 | 2.6 | 4       |      |
| M4T-12K   | ø12.6 | ø10.6 | ø4.2 | ø9.6 | 13.9 | 25.7 | 4.4 | 3.3 | M4             | 2    | 9.4 | 2.5 | 4       |      |
| M4F-11W   | ø11.2 | ø9.2  | ø4.2 | ø8.2 | 12.5 | 22.9 | 4.1 | 3.0 | M4             | 3    | 8.0 | 2.3 | 5       |      |
| UN6K-10K  | ø10.1 | ø8.1  | ø3.7 | ø7.1 | 11.4 | 20.6 | 3.9 | 2.8 | #6-32          | 1    | 6.9 | 2.1 | 4       |      |
| UN6K-9D   | ø9.8  | ø7.8  | ø3.7 | ø6.8 | 11.1 | 20.1 | 4.4 | 3.3 | #6-32          | 2    | 6.6 | 2.6 | 4       |      |
| UN6K-10FQ | ø10.3 | ø8.3  | ø3.7 | ø7.3 | 11.6 | 21.1 | 4.1 | 3.0 | #6-32          | 3    | 7.1 | 2.1 | 5       |      |

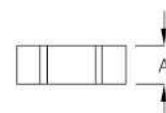
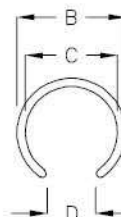


### C型環 C RING

8-35-3

- MATERIAL: NYLON 66(UL)
- FLAME CLASS: 94V-2
- COLOR: NATURAL, BLACK

| PART NO | A    | B     | C     | D   | PACKAGE |
|---------|------|-------|-------|-----|---------|
| WCC-05  | 2.3  | ø6.55 | ø5.55 | 2.9 | 2000    |
| WCC-5A  | 2.46 | ø6.2  | ø5.05 | 1.8 |         |

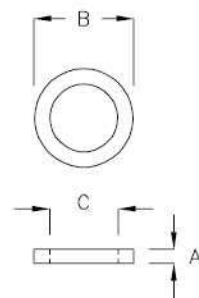




華司 WASHER

- MATERIAL: NYLON 66(UL)
- FLAME CLASS: 94V-2
- COLOR: NATURAL

8-36-1



| PART NO | A    | B     | C     | PACKAGE |
|---------|------|-------|-------|---------|
| WS-1BD  | 1.0  | ∅3.2  | ∅1.6  | 2000    |
| WS-01N  | 0.45 | ∅3.9  | ∅1.85 |         |
| WS-2RK  | 1.0  | ∅4.0  | ∅2.0  |         |
| WS-2HR  | 1.0  | ∅4.1  | ∅2.2  |         |
| WS-0    | 0.4  | ∅4.2  | ∅2.5  |         |
| WS-04C  | 0.5  | ∅4.5  | ∅2.5  |         |
| WS-4KT  | 1.5  | ∅4.9  | ∅3.7  |         |
| WS-1D   | 1.0  | ∅5.0  | ∅2.7  |         |
| WS-1F   | 1.5  | ∅5.0  | ∅2.5  |         |
| WS-2DC  | 1.8  | ∅5.0  | ∅3.1  |         |
| WS-1B   | 0.5  | ∅5.5  | ∅2.5  |         |
| WS-1C   | 0.5  | ∅5.5  | ∅3.0  |         |
| WS-2FA  | 1.8  | ∅5.5  | ∅3.1  |         |
| WS-3GK  | 1.0  | ∅5.6  | ∅3.0  |         |
| WS-3A   | 1.4  | ∅5.6  | ∅2.9  |         |
| WS-6NZ  | 0.5  | ∅6.0  | ∅4.3  |         |
| WS-01L  | 0.8  | ∅6.0  | ∅3.1  |         |
| WS-2K   | 1.0  | ∅6.0  | ∅2.7  |         |
| WS-5HY  | 1.0  | ∅6.2  | ∅3.2  |         |
| WS-06K  | 1.5  | ∅6.35 | ∅3.3  |         |
| WS-06A  | 1.0  | ∅6.5  | ∅3.8  |         |
| WS-06C  | 1.35 | ∅6.8  | ∅4.9  |         |
| WS-07H  | 0.5  | ∅7.0  | ∅2.2  |         |
| WS-1R   | 0.6  | ∅7.0  | ∅4.6  |         |
| WS-1M   | 0.8  | ∅7.0  | ∅3.1  |         |
| WS-02M  | 1.0  | ∅7.0  | ∅3.2  |         |
| WS-3SB  | 1.0  | ∅7.0  | ∅3.5  |         |
| WS-07F  | 0.65 | ∅7.5  | ∅4.3  |         |
| WS-07C  | 1.55 | ∅7.5  | ∅5.1  |         |
| WS-08F  | 0.9  | ∅7.8  | ∅4.1  |         |
| WS-4    | 0.8  | ∅7.9  | ∅4.0  |         |
| WS-9    | 0.5  | ∅8.0  | ∅5.1  |         |
| WS-23   | 0.6  | ∅8.0  | ∅1.6  |         |
| WS-1S   | 0.7  | ∅8.0  | ∅3.0  |         |
| WS-8RM  | 0.8  | ∅8.0  | ∅3.2  |         |
| WS-6FP  | 0.8  | ∅8.0  | ∅5.8  |         |
| WS-1    | 1.0  | ∅8.0  | ∅3.2  |         |
| WS-57   | 1.6  | ∅8.0  | ∅3.0  |         |
| WS-9A   | 2.0  | ∅8.0  | ∅5.1  |         |
| WS-2    | 1.7  | ∅8.1  | ∅3.2  |         |
| WS-8MK  | 1.0  | ∅8.2  | ∅5.65 |         |
| WS-24   | 0.8  | ∅9.0  | ∅4.0  |         |

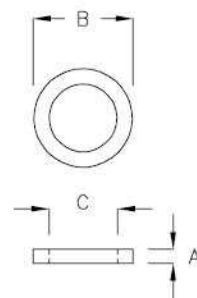
| PART NO | A    | B     | C     | PACKAGE |
|---------|------|-------|-------|---------|
| WS-9RC  | 0.75 | ∅9.0  | ∅5.85 | 2000    |
| WS-9DK  | 0.75 | ∅9.0  | ∅6.25 |         |
| WS-9KR  | 0.8  | ∅9.0  | ∅4.4  |         |
| WS-4PS  | 1.0  | ∅9.0  | ∅4.5  |         |
| WS-06M  | 1.5  | ∅9.0  | ∅5.5  |         |
| WS-22   | 1.8  | ∅9.0  | ∅4.2  |         |
| WS-5KL  | 1.0  | ∅9.5  | ∅5.0  |         |
| WS-7DM  | 3.7  | ∅9.6  | ∅4.2  |         |
| WS-5    | 3.0  | ∅9.9  | ∅4.0  |         |
| WS-06D  | 0.8  | ∅10.0 | ∅6.7  |         |
| WS-10C  | 1.0  | ∅10.0 | ∅3.1  |         |
| WS-6    | 1.1  | ∅10.0 | ∅5.5  |         |
| WS-3    | 1.2  | ∅10.0 | ∅4.2  |         |
| WS-10F  | 2.65 | ∅10.0 | ∅6.6  |         |
| WS-10AC | 3.0  | ∅10.0 | ∅6.6  |         |
| WS-7    | 3.5  | ∅10.0 | ∅6.0  |         |
| WS-10   | 4.0  | ∅10.0 | ∅3.6  | 1000    |
| WS-10AH | 0.4  | ∅10.2 | ∅6.5  | 2000    |
| WS-11F  | 1.0  | ∅11.0 | ∅4.1  |         |
| WS-11MC | 1.5  | ∅11.1 | ∅5.2  |         |
| WS-11KY | 2.0  | ∅11.5 | ∅4.5  |         |
| WS-8    | 0.5  | ∅12.0 | ∅8.2  |         |
| WS-12S  | 1.0  | ∅12.0 | ∅3.1  |         |
| WS-12FG | 1.0  | ∅12.0 | ∅7.4  |         |
| WS-12A  | 1.5  | ∅12.0 | ∅4.5  |         |
| WS-12   | 1.2  | ∅12.1 | ∅6.4  |         |
| WS-13   | 3.8  | ∅12.6 | ∅6.4  |         |
| WS-13A  | 4.2  | ∅13.0 | ∅3.6  | 2000    |
| WS-13C  | 1.0  | ∅13.0 | ∅10.0 |         |
| WS-14   | 1.0  | ∅14.0 | ∅6.5  |         |
| WS-14F  | 1.0  | ∅14.0 | ∅10.4 |         |
| WS-56   | 1.6  | ∅14.1 | ∅8.2  | 1000    |
| WS-15   | 4.8  | ∅14.7 | ∅12.6 |         |
| WS-16D  | 0.8  | ∅16.0 | ∅9.7  |         |
| WS-16A  | 1.6  | ∅16.0 | ∅9.7  | 2000    |
| WS-16F  | 1.6  | ∅16.0 | ∅8.4  |         |
| WS-17   | 1.5  | ∅17.0 | ∅13.5 |         |
| WS-18   | 0.8  | ∅18.0 | ∅4.2  |         |
| WS-18QT | 1.4  | ∅18.0 | ∅8.1  | 1000    |
| WS-20   | 1.0  | ∅20.0 | ∅14.5 |         |
| WS-20A  | 2.0  | ∅20.0 | ∅10.5 |         |
| WS-21   | 1.0  | ∅21.0 | ∅14.1 |         |
| WS-22PM | 1.5  | ∅22.0 | ∅16.5 |         |
| WS-26   | 1.5  | ∅26.0 | ∅20.5 |         |
| ★ WS-60 | 2.0  | ∅60.0 | ∅9.0  | 500     |



華司 WASHER

8-37-1

- MATERIAL: NYLON 6
- COLOR: NATURAL
- OTHER MATERIAL&THICKNESS AVAILABLE FOR OPTIONAL REQUEST  
( 我司備有其他尺寸, 歡迎來電洽詢 )



| PART NO | A   | B    | C     | PACKAGE |
|---------|-----|------|-------|---------|
| NWT-01  | 0.5 | ø4.5 | ø2.1  | 5000    |
| NWT-02  | 0.5 | ø4.5 | ø2.6  |         |
| NWT-03  | 0.5 | ø4.6 | ø2.5  |         |
| NWT-04  | 0.5 | ø4.7 | ø2.6  |         |
| NWT-05  | 0.5 | ø5.0 | ø2.2  |         |
| NWT-06  | 0.5 | ø5.0 | ø2.5  |         |
| NWT-07  | 0.5 | ø5.0 | ø2.6  |         |
| NWT-08  | 0.5 | ø5.0 | ø3.0  |         |
| NWT-09  | 0.5 | ø5.0 | ø3.1  |         |
| NWT-10  | 0.5 | ø5.0 | ø3.2  |         |
| NWT-11  | 0.5 | ø5.0 | ø3.5  |         |
| NWT-12  | 0.5 | ø5.6 | ø3.1  |         |
| NWT-13  | 0.5 | ø5.6 | ø4.8  |         |
| NWT-14  | 0.5 | ø6.0 | ø2.1  |         |
| NWT-15  | 0.5 | ø6.0 | ø3.1  |         |
| NWT-16  | 0.5 | ø6.0 | ø3.2  |         |
| NWT-17  | 0.5 | ø6.0 | ø3.6  |         |
| NWT-18  | 0.5 | ø6.0 | ø4.1  |         |
| NWT-19  | 0.5 | ø6.0 | ø4.3  |         |
| NWT-21  | 0.5 | ø6.5 | ø2.98 |         |
| NWT-22  | 0.5 | ø6.5 | ø3.5  |         |
| NWT-23  | 0.5 | ø6.5 | ø4.1  |         |
| NWT-24  | 0.5 | ø7.0 | ø2.5  |         |
| NWT-25  | 0.5 | ø7.0 | ø4.2  |         |
| NWT-26  | 0.5 | ø7.0 | ø5.1  |         |
| NWT-27  | 0.5 | ø7.0 | ø3.1  |         |
| NWT-28  | 0.5 | ø7.5 | ø4.8  |         |
| NWT-29  | 0.5 | ø7.8 | ø3.2  |         |
| NWT-30  | 0.5 | ø8.0 | ø3.1  |         |

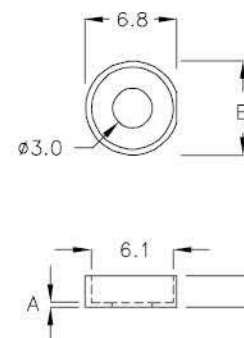
| PART NO | A   | B     | C     | PACKAGE |
|---------|-----|-------|-------|---------|
| NWT-31  | 0.5 | ø8.0  | ø4.1  | 5000    |
| NWT-32  | 0.5 | ø8.0  | ø5.0  |         |
| NWT-33  | 0.5 | ø8.0  | ø5.1  |         |
| NWT-34  | 0.5 | ø8.0  | ø6.0  |         |
| NWT-36  | 0.5 | ø8.8  | ø4.0  |         |
| NWT-37  | 0.5 | ø8.8  | ø5.2  |         |
| NWT-38  | 0.5 | ø9.0  | ø4.5  |         |
| NWT-39  | 0.5 | ø9.0  | ø6.1  |         |
| NWT-40  | 0.5 | ø10.0 | ø3.1  |         |
| NWT-41  | 0.5 | ø10.0 | ø4.1  |         |
| NWT-42  | 0.5 | ø10.0 | ø5.1  |         |
| NWT-43  | 0.5 | ø10.0 | ø5.2  |         |
| NWT-44  | 0.5 | ø10.0 | ø5.5  |         |
| NWT-45  | 0.5 | ø10.0 | ø6.1  |         |
| NWT-46  | 0.5 | ø10.0 | ø6.4  |         |
| NWT-47  | 0.5 | ø10.4 | ø7.2  |         |
| NWT-48  | 0.5 | ø10.5 | ø6.6  |         |
| NWT-49  | 0.5 | ø10.8 | ø7.2  |         |
| NWT-50  | 0.5 | ø11.0 | ø5.0  |         |
| NWT-51  | 0.5 | ø11.6 | ø7.6  |         |
| NWT-52  | 0.5 | ø12.0 | ø3.6  |         |
| NWT-53  | 0.5 | ø12.0 | ø5.2  |         |
| NWT-54  | 0.5 | ø12.0 | ø6.0  |         |
| NWT-55  | 0.5 | ø12.0 | ø7.3  |         |
| NWT-56  | 0.5 | ø12.0 | ø8.0  |         |
| NWT-58  | 0.5 | ø13.0 | ø6.5  |         |
| NWT-59  | 0.5 | ø13.0 | ø7.95 |         |
| NWT-60  | 0.5 | ø13.0 | ø8.0  |         |
| NWT-99  | 0.5 | ø9.1  | ø4.0  |         |



華司 WASHER

8-37-2

- MATERIAL: NYLON 46(UL)
- FLAME CLASS: 94V-0
- COLOR: NATURAL



| PART NO | A   | B    | C   | PACKAGE |
|---------|-----|------|-----|---------|
| U-02A   | 0.3 | ø7.0 | 2.3 | 2000    |

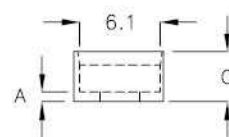
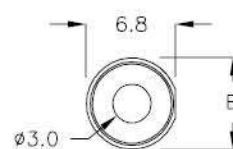


### 華司 WASHER

- MATERIAL: NYLON 46(UL)
- FLAME CLASS: 94V-0
- COLOR: NATURAL

| PART NO | A   | B    | C   | PACKAGE |
|---------|-----|------|-----|---------|
| U-02F   | 0.3 | ∅7.0 | 1.9 | 2000    |
| U-03K   | 0.8 | ∅7.0 | 3.8 |         |

8-38-1

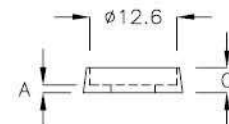
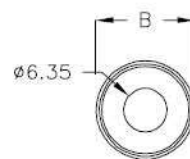


### 華司 WASHER

- MATERIAL: NYLON 66(UL)
- FLAME CLASS: 94V-2
- COLOR: BLACK

| PART NO | A   | B     | C    | PACKAGE |
|---------|-----|-------|------|---------|
| UWD-6K  | 1.1 | ∅14.3 | 3.65 | 1000    |

8-38-2

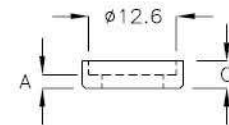
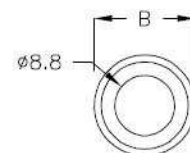


### 華司 WASHER

- MATERIAL: PPO(UL)
- FLAME CLASS: 94V-1
- COLOR: GRAY

| PART NO | A   | B     | C   | PACKAGE |
|---------|-----|-------|-----|---------|
| UWJ-14Q | 2.0 | ∅14.6 | 4.0 | 1000    |

8-38-3

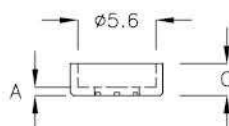
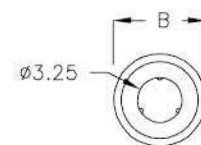


### 華司 WASHER

- MATERIAL: NYLON 66(UL)
- FLAME CLASS: 94V-2
- COLOR: BLACK
- WITH M3 SCREW

| PART NO | A   | B    | C   | PACKAGE |
|---------|-----|------|-----|---------|
| UWD-3F  | 0.6 | ∅6.7 | 2.3 | 1000    |

8-38-4





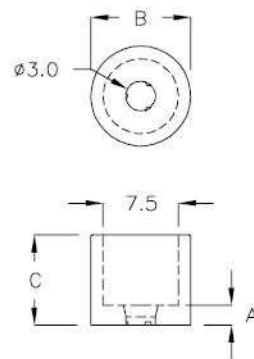


華司 WASHER

8-39-1

- MATERIAL: NYLON 66(UL)
- FLAME CLASS: 94V-2
- COLOR: NATURAL
- WITH M3 SCREW

| PART NO | A   | B    | C   | PACKAGE |
|---------|-----|------|-----|---------|
| UWK-9   | 2.0 | 10.0 | 9.0 | 1000    |

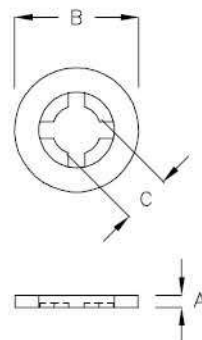


華司 WASHER

8-39-2

- MATERIAL: NYLON 66(UL)
- FLAME CLASS: 94V-2
- COLOR: NATURAL

| PART NO | A    | B     | C     | SCREW  | PACKAGE |
|---------|------|-------|-------|--------|---------|
| WSF-02  | 0.6  | ø4.5  | ø1.6  | M2x0.4 | 2000    |
| WSF-3   | 0.8  | ø8.3  | ø3.2  | #6-32  |         |
| WSF-3A  | 0.75 | ø6.7  | ø2.5  | M3x0.5 |         |
| WSF-3D  | 0.6  | ø5.0  | ø2.5  | M3x0.5 |         |
| WSF-3GK | 0.6  | ø5.0  | ø2.4  |        |         |
| WSF-3M  | 1.0  | ø8.0  | ø2.5  | M3x0.5 |         |
| WSF-3S  | 0.6  | ø8.3  | ø3.2  | #6-32  |         |
| WSF-04  | 1.0  | ø12.5 | ø3.6  | M4x0.7 |         |
| WSF-06  | 2.0  | ø12.0 | ø5.25 |        |         |
| WSF-6KT | 1.0  | ø6.3  | ø2.3  |        |         |
| WSF-10  | 0.7  | ø10.0 | ø5.2  |        |         |

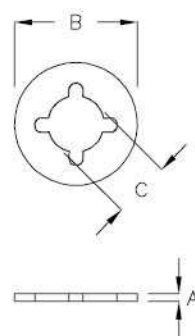


華司 WASHER

8-39-3

- MATERIAL: NYLON 66(UL)
- FLAME CLASS: 94V-2
- COLOR: NATURAL

| PART NO | A   | B    | C    | SCREW  | PACKAGE |
|---------|-----|------|------|--------|---------|
| WSF-09  | 0.6 | ø9.0 | ø4.2 | M5x0.8 | 2000    |

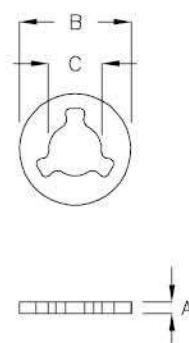


華司 WASHER

8-39-4

- MATERIAL: NYLON 6
- COLOR: NATURAL

| PART NO | A   | B    | C    | PACKAGE |
|---------|-----|------|------|---------|
| WRD-2A  | 0.5 | ø4.8 | ø2.3 | 10000   |

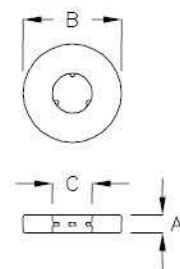




### 華司 WASHER

8-40-1

- MATERIAL: NYLON 66(UL)
- FLAME CLASS: 94V-2
- COLOR: NATURAL



| PART NO | A    | B     | C     | USE SCREW | PACKAGE |
|---------|------|-------|-------|-----------|---------|
| WS-5RM  | 1.0  | ∅5.5  | ∅3.2  | M3        | 2000    |
| WS-5WK  | 1.2  | ∅5.5  | ∅3.2  |           |         |
| WS-5YT  | 1.8  | ∅5.5  | ∅3.2  |           |         |
| WS-6AT  | 1.5  | ∅6.35 | ∅3.2  |           |         |
| WS-2T   | 0.9  | ∅6.5  | ∅3.25 |           |         |
| WS-7RT  | 0.8  | ∅7.0  | ∅3.2  |           |         |
| WS-7YM  | 1.2  | ∅7.0  | ∅4.2  |           |         |
| WS-7TH  | 1.0  | ∅7.0  | ∅4.2  |           |         |
| WS-7AY  | 1.5  | ∅7.5  | ∅4.2  |           |         |
| WS-7FT  | 0.65 | ∅7.5  | ∅4.2  |           |         |
| WS-8WT  | 0.8  | ∅7.9  | ∅4.2  |           |         |

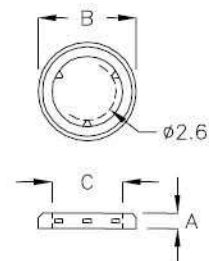
| PART NO | A   | B     | C    | USE SCREW | PACKAGE |
|---------|-----|-------|------|-----------|---------|
| WS-8HT  | 0.5 | ∅8.0  | ∅5.3 | M5        | 2000    |
| WS-8ST  | 1.0 | ∅8.0  | ∅3.2 | M3        |         |
| WS-8TQ  | 2.0 | ∅8.0  | ∅3.2 |           |         |
| WS-3T   | 1.2 | ∅10.0 | ∅4.2 |           |         |
| WS-11KT | 1.0 | ∅11.0 | ∅4.2 |           |         |
| WS-11DF | 2.0 | ∅11.0 | ∅4.2 |           |         |
| WS-11QT | 2.0 | ∅11.5 | ∅4.2 |           |         |
| WS-12T  | 1.0 | ∅12.0 | ∅3.2 | M3        |         |
| WS-12CK | 2.0 | ∅12.0 | ∅3.2 |           |         |
| WS-4T   | 3.0 | ∅14.0 | ∅4.2 | M4        |         |
| WS-15T  | 1.0 | ∅15.0 | ∅3.2 | M3        |         |
| WS-15KR | 2.0 | ∅15.0 | ∅3.2 |           |         |



### 華司 WASHER

8-40-2

- MATERIAL: NYLON 66(UL)
- FLAME CLASS: 94V-2
- COLOR: NATURAL



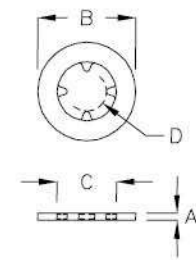
| PART NO | A   | B    | C    | USE SCREW | PACKAGE |
|---------|-----|------|------|-----------|---------|
| WRK-3C  | 0.7 | ∅4.6 | ∅3.3 | M3        | 2000    |



### 華司 WASHER

8-40-3

- MATERIAL: NYLON 66(UL)
- FLAME CLASS: 94V-2
- COLOR: NATURAL



| PART NO   | A   | B     | C     | D    | USE SCREW | PACKAGE |
|-----------|-----|-------|-------|------|-----------|---------|
| WRC-5Q    | 0.8 | ∅11.0 | ∅6.6  | ∅4.4 | —         | 2000    |
| WRC-3BA   | 1.0 | ∅8.0  | ∅3.5  | ∅2.7 | M3        |         |
| WRC-4GC   | 0.8 | ∅10.0 | ∅4.5  | ∅3.7 | M4        |         |
| ★ WRC-5DH | 1.0 | ∅11.0 | ∅5.35 | ∅4.5 | M5        |         |
| WRC-5MK   | 1.0 | ∅11.0 | ∅5.5  | ∅4.7 | M5        |         |

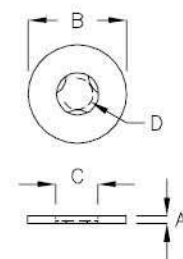


**華司 WASHER**

**8-41-1**

- MATERIAL: PE
- COLOR: NATURAL

| PART NO | A   | B     | C    | D    | USE SCREW | PACKAGE |
|---------|-----|-------|------|------|-----------|---------|
| WRD-3K  | 0.8 | ∅10.0 | ∅4.4 | ∅3.2 | M4        | 2000    |
| WRD-5C  | 1.2 | ∅12.0 | ∅6.4 | ∅5.2 | M6        |         |

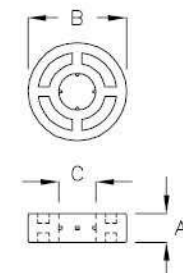


**華司 WASHER**

**8-41-2**

- MATERIAL: NYLON 66(UL)
- FLAME CLASS: 94V-2
- COLOR: NATURAL

| PART NO | A   | B    | C    | USE SCREW | PACKAGE |
|---------|-----|------|------|-----------|---------|
| WS-20T  | 2.4 | ∅8.0 | ∅3.0 | M3        | 2000    |

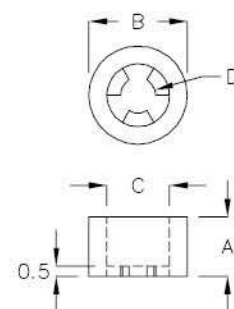


**華司 WASHER**

**8-41-3**

- MATERIAL: NYLON 66(UL)
- FLAME CLASS: 94V-2
- COLOR: NATURAL

| PART NO | A   | B    | C    | D    | USE SCREW | PACKAGE |
|---------|-----|------|------|------|-----------|---------|
| WSX-1A  | 3.0 | ∅5.0 | ∅3.2 | ∅1.8 | M1.6      | 2000    |

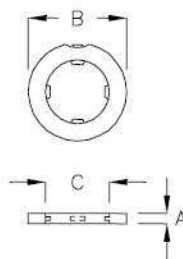


**華司 WASHER**

**8-41-4**

- MATERIAL: NYLON 66(UL)
- FLAME CLASS: 94V-2
- COLOR: NATURAL

| PART NO | A   | B    | C    | USE SCREW | PACKAGE |
|---------|-----|------|------|-----------|---------|
| WS-4FT  | 1.0 | ∅7.0 | ∅4.2 | M4        | 2000    |
| WS-4XT  | 1.5 | ∅7.0 | ∅4.2 |           |         |
| WS-4BT  | 2.0 | ∅7.0 | ∅4.2 |           |         |
| WS-5T   | 0.8 | ∅8.0 | ∅5.2 | M5        |         |
| WS-5WT  | 1.0 | ∅8.0 | ∅5.2 |           |         |
| WS-5LT  | 1.5 | ∅8.0 | ∅5.2 |           |         |
| WS-5BT  | 2.0 | ∅8.0 | ∅5.2 | M6        |         |
| WS-6GT  | 1.0 | ∅9.0 | ∅6.2 |           |         |
| WS-6HT  | 1.5 | ∅9.0 | ∅6.2 |           |         |
| WS-6PT  | 2.0 | ∅9.0 | ∅6.2 |           |         |



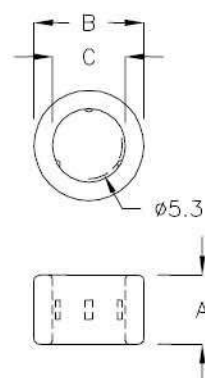


### 華司 WASHER

8-42-1

- MATERIAL: NYLON 66(UL)
- FLAME CLASS: 94V-2
- COLOR: NATURAL

| PART NO | A   | B    | C    | PACKAGE |
|---------|-----|------|------|---------|
| WRP-5LA | 5.5 | ø8.7 | ø5.8 | 1000    |

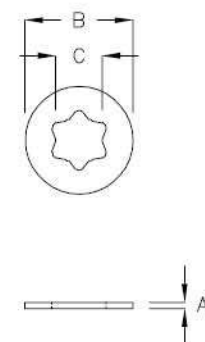


### 華司 WASHER

8-42-2

- MATERIAL: NYLON 66(UL)
- FLAME CLASS: 94V-2
- COLOR: NATURAL

| PART NO | A   | B    | C   | USE SCREW | PACKAGE |
|---------|-----|------|-----|-----------|---------|
| WSH-08  | 0.5 | ø8.0 | 3.4 | #6-32     | 2000    |

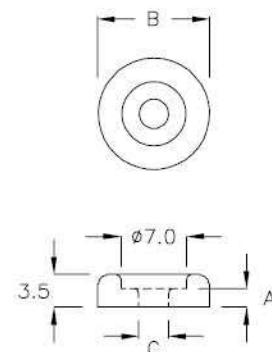


### 華司 WASHER

8-42-3

- MATERIAL: NYLON 66(UL)
- FLAME CLASS: 94V-2
- COLOR: NATURAL

| PART NO | A   | B     | C    | PACKAGE |
|---------|-----|-------|------|---------|
| UWD-3D  | 2.0 | ø12.0 | ø3.2 | 1000    |

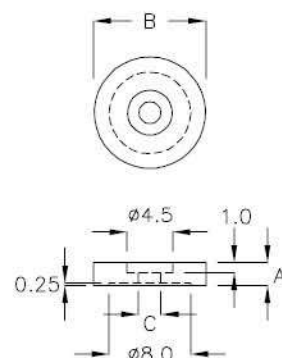


### 華司 WASHER

8-42-4

- MATERIAL: NYLON 66(UL)
- FLAME CLASS: 94V-2
- COLOR: NATURAL

| PART NO | A    | B     | C    | PACKAGE |
|---------|------|-------|------|---------|
| WWK-11A | 2.25 | ø11.0 | ø2.2 | 2000    |



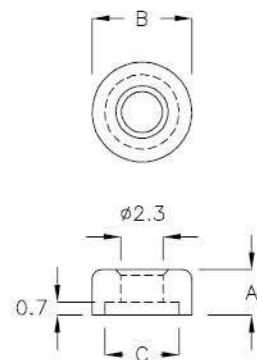


### 華司 WASHER

8-43-1

- MATERIAL: NYLON 66(UL)
- FLAME CLASS: 94V-0
- COLOR: BLACK

| PART NO | A   | B    | C    | PACKAGE |
|---------|-----|------|------|---------|
| UWQ-2M  | 2.5 | ∅5.5 | ∅4.1 | 1000    |

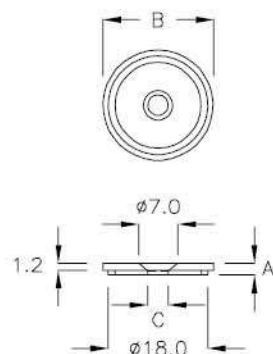


### 華司 WASHER

8-43-2

- MATERIAL: NYLON 66(UL)
- FLAME CLASS: 94V-2
- COLOR: NATURAL
- WITH COUNTERSUNK SCREW

| PART NO | A   | B     | C    | PACKAGE |
|---------|-----|-------|------|---------|
| WSA-02  | 2.1 | ∅20.0 | ∅3.7 | 1000    |

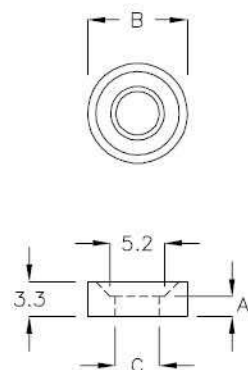


### 華司 WASHER

8-43-3

- MATERIAL: NYLON 66(UL)
- FLAME CLASS: 94V-2
- COLOR: BLACK
- WITH COUNTERSUNK SCREW

| PART NO | A   | B     | C    | PACKAGE |
|---------|-----|-------|------|---------|
| WRB-3A  | 1.9 | ∅9.6  | ∅4.2 | 2000    |
| WRB-3C  | 1.9 | ∅11.5 | ∅4.2 |         |

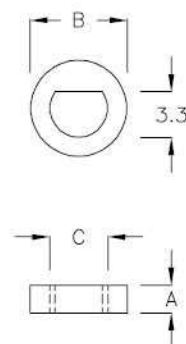


### 華司 WASHER

8-43-4

- MATERIAL: POM
- FLAME CLASS: 94HB
- COLOR: NATURAL

| PART NO | A   | B    | C    | PACKAGE |
|---------|-----|------|------|---------|
| WRF-02  | 2.0 | ∅7.0 | ∅4.2 | 1000    |



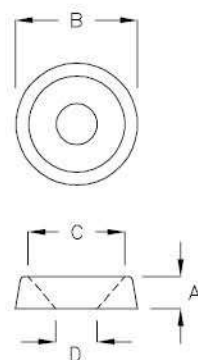


### 華司 WASHER

8-44-1

- MATERIAL: NYLON 66(UL)
- FLAME CLASS: 94V-2
- COLOR: NATURAL
- WITH COUNTERSUNK SCREW

| PART NO | A    | B     | C     | D    | USE SCREW    | PACKAGE |
|---------|------|-------|-------|------|--------------|---------|
| UWM-03  | 2.5  | ∅9.6  | ∅6.3  | ∅3.1 | M3           | 2000    |
| UWM-04  | 2.7  | ∅11.6 | ∅8.4  | ∅4.1 | M4           |         |
| UWM-05  | 3.2  | ∅13.6 | ∅10.4 | ∅5.1 | M5           |         |
| UWS-11  | 2.55 | ∅11.0 | ∅8.0  | ∅3.9 | NO. 6-32UNC  | 1000    |
| UWS-13  | 2.9  | ∅13.0 | ∅9.4  | ∅4.4 | NO. 8-32UNC  |         |
| UWS-14  | 3.85 | ∅14.7 | ∅11.6 | ∅5.0 | NO. 10-24UNC |         |
| UWS-15  | 4.0  | ∅15.4 | ∅12.7 | ∅5.8 | NO. 12-24UNC |         |
| UWS-17  | 4.65 | ∅17.3 | ∅14.5 | ∅6.5 | 1/4-20UNC    |         |

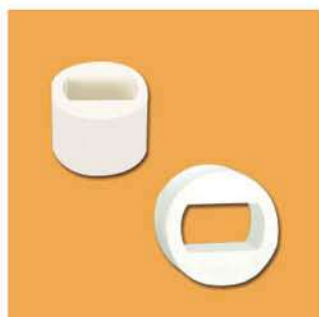
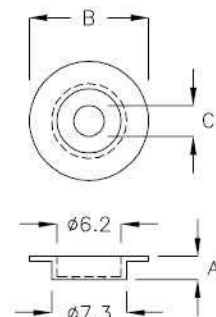


### 華司 WASHER

8-44-2

- MATERIAL: NYLON 66(UL)
- FLAME CLASS: 94V-2
- COLOR: BLACK

| PART NO | A   | B     | C    | PACKAGE |
|---------|-----|-------|------|---------|
| WSA-01  | 2.4 | ∅11.5 | ∅3.0 | 2000    |

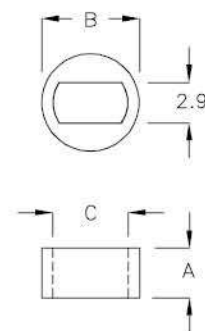


### 固定座 MOUNT

8-44-3

- MATERIAL: NYLON 66(UL)
- FLAME CLASS: 94V-2
- COLOR: NATURAL

| PART NO | A   | B    | C    | PACKAGE |
|---------|-----|------|------|---------|
| UWF-3PQ | 3.6 | ∅7.0 | ∅5.4 | 2000    |
| UWF-05  | 5.0 | ∅7.0 | ∅5.3 |         |



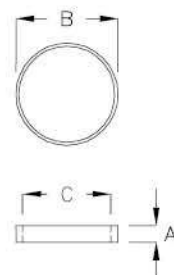
### 華司 WASHER

8-44-4

- MATERIAL: NYLON 66(UL)
- FLAME CLASS: 94V-0
- COLOR: NATURAL

**NEW**

| PART NO    | A   | B     | C     | PACKAGE |
|------------|-----|-------|-------|---------|
| ★ UWXC-12A | 2.2 | ∅13.5 | ∅12.7 | 1000    |



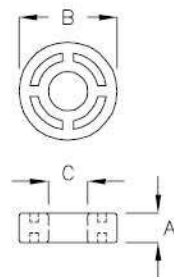


### 華司 WASHER

8-45-1

- MATERIAL: NYLON 66(UL)
- FLAME CLASS: 94V-2
- COLOR: BLACK

| PART NO | A   | B     | C    | PACKAGE |
|---------|-----|-------|------|---------|
| WSC-01  | 4.5 | ∅15.0 | ∅6.0 | 1000    |
| WSC-1A  | 5.7 | ∅15.0 | ∅6.0 |         |

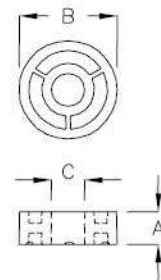


### 華司 WASHER

8-45-2

- MATERIAL: NYLON 66(UL)
- FLAME CLASS: 94V-2
- COLOR: BLACK

| PART NO  | A    | B     | C     | PACKAGE |
|----------|------|-------|-------|---------|
| WSC-30KP | 10.0 | ∅30.0 | ∅10.0 | 200     |

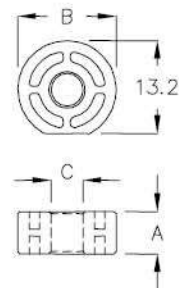


### 華司 WASHER

8-45-3

- MATERIAL: NYLON 66(UL)
- FLAME CLASS: 94V-2
- COLOR: NATURAL

| PART NO | A   | B     | C    | PACKAGE |
|---------|-----|-------|------|---------|
| WSC-06  | 6.0 | ∅14.0 | ∅4.6 | 1000    |

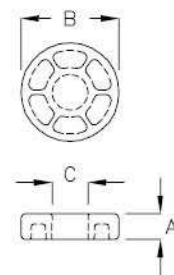


### 華司 WASHER

8-45-4

- MATERIAL: NYLON 66(UL)
- FLAME CLASS: 94V-2
- COLOR: NATURAL

| PART NO | A   | B     | C     | PACKAGE |
|---------|-----|-------|-------|---------|
| WWF-4K  | 3.1 | ∅12.0 | ∅4.35 | 2000    |



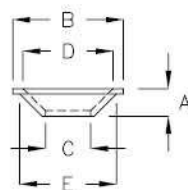
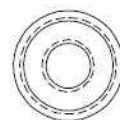


### 華司 WASHER

8-46-1

- MATERIAL: NYLON 66(UL)
- FLAME CLASS: 94V-2
- COLOR: NATURAL,BLACK

| PART NO | A   | B     | C    | D    | E    | PACKAGE |
|---------|-----|-------|------|------|------|---------|
| WSL-01  | 2.5 | ∅10.0 | ∅4.1 | ∅8.1 | ∅8.7 | 2000    |
| WSL-02  | 1.5 | ∅7.0  | ∅3.1 | ∅5.1 | ∅5.7 |         |

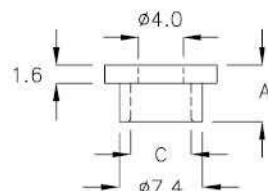


### 華司 WASHER

8-46-2

- MATERIAL: NYLON 66(UL)
- FLAME CLASS: 94V-2
- COLOR: BLACK

| PART NO | A   | B     | C    | PACKAGE |
|---------|-----|-------|------|---------|
| WSB-01  | 5.0 | ∅10.0 | ∅5.4 | 1000    |

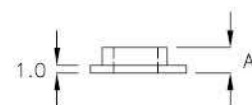
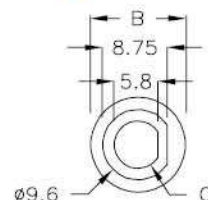


### 華司 WASHER

8-46-3

- MATERIAL: NYLON 66(UL)
- FLAME CLASS: 94V-2
- COLOR: BLACK

| PART NO | A   | B     | C    | PACKAGE |
|---------|-----|-------|------|---------|
| WSJ-01  | 3.4 | ∅13.0 | ∅6.3 | 2000    |

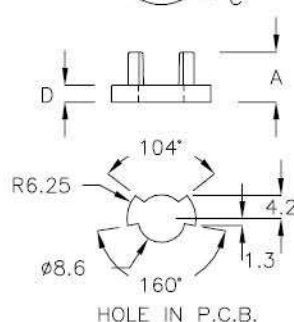
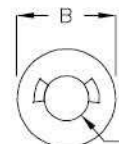


### 華司 WASHER

8-46-4

- MATERIAL: NYLON 66(UL)
- FLAME CLASS: 94V-2
- COLOR: BLACK

| PART NO | A    | B     | C    | D   | PACKAGE |
|---------|------|-------|------|-----|---------|
| MIA-03  | 9.0  | ∅17.9 | ∅8.1 | 3.0 | 500     |
| MIA-04  | 10.0 | ∅17.9 | ∅8.0 | 4.0 |         |



HOLE IN P.C.B.

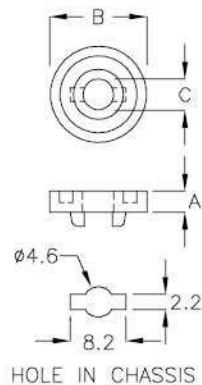




華司 WASHER

8-47-1

- MATERIAL: NYLON 66(UL)
- FLAME CLASS: 94V-2
- COLOR: NATURAL



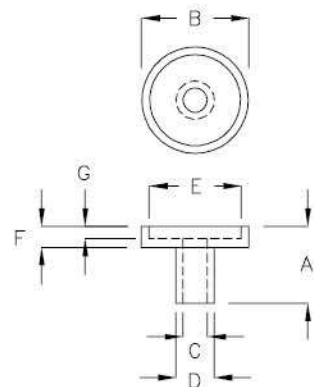
| PART NO | A   | B     | C    | PACKAGE |
|---------|-----|-------|------|---------|
| WST-14  | 3.0 | ∅14.0 | ∅4.5 | 500     |



華司 WASHER

8-47-2

- MATERIAL: NYLON 66(UL)
- FLAME CLASS: 94V-2
- COLOR: NATURAL



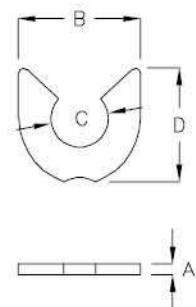
| PART NO | A    | B     | C    | D    | E     | F   | G   | PACKAGE |
|---------|------|-------|------|------|-------|-----|-----|---------|
| WSQ-01  | 10.0 | ∅14.0 | ∅3.2 | ∅5.0 | ∅12.0 | 2.8 | 1.6 | 500     |
| WSQ-03  | 7.3  | ∅7.0  | ∅3.0 | ∅3.5 | ∅6.1  | 3.8 | 3.0 | 1000    |



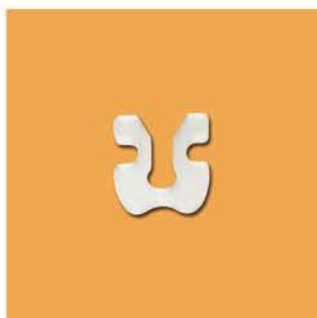
華司 WASHER

8-47-3

- MATERIAL: POM
- FLAME CLASS: 94HB
- COLOR: NATURAL



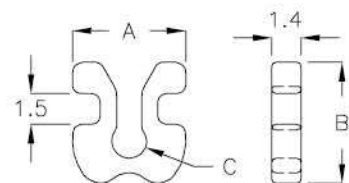
| PART NO | A   | B    | C    | D    | PACKAGE |
|---------|-----|------|------|------|---------|
| WU-1    | 0.8 | 12.6 | ∅5.9 | 11.5 | 2000    |
| WU-002  | 0.6 | 9.5  | ∅4.1 | 8.9  |         |



華司 WASHER

8-47-4

- MATERIAL: NYLON 66(UL)
- FLAME CLASS: 94V-2
- COLOR: NATURAL



| PART NO | A   | B    | C    | PACKAGE |
|---------|-----|------|------|---------|
| WUS-1A  | 5.5 | 5.84 | ∅1.7 | 2000    |

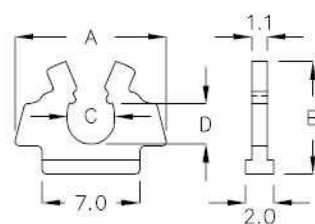


### 華司 WASHER

8-48-1

- MATERIAL: NYLON 66(UL)
- FLAME CLASS: 94V-2
- COLOR: NATURAL

| PART NO | A    | B   | C   | D   | PACKAGE |
|---------|------|-----|-----|-----|---------|
| WSM-01  | 10.8 | 8.0 | 3.3 | 2.9 | 2000    |

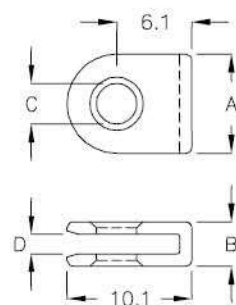


### 華司 WASHER

8-48-2

- MATERIAL: NYLON 66(UL)
- FLAME CLASS: 94V-2
- COLOR: NATURAL

| PART NO | A   | B   | C    | D   | PACKAGE |
|---------|-----|-----|------|-----|---------|
| WSU-01  | 8.0 | 3.6 | ø3.3 | 1.6 | 2000    |

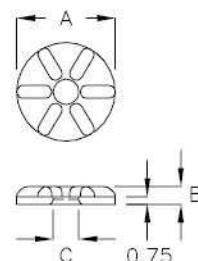


### 防震華司 SHOCK-ABSORB WASHER

8-48-3

- MATERIAL: TPE
- COLOR: GRAY
- WITH M2.6 SCREW

| PART NO | A    | B    | C    | PACKAGE |
|---------|------|------|------|---------|
| GSG-01  | ø9.6 | 1.75 | ø2.5 | 2000    |

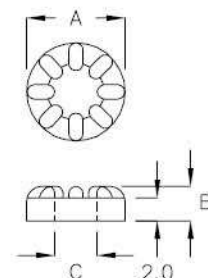


### 防震華司 SHOCK-ABSORB WASHER

8-48-4

- MATERIAL: SILICONE
- COLOR: BLACK

| PART NO | A    | B   | C     | PACKAGE |
|---------|------|-----|-------|---------|
| GSG-03  | ø8.6 | 3.0 | ø3.74 | 2000    |

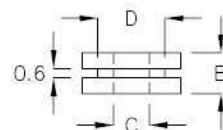
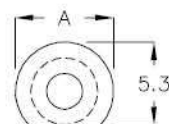




**華司 WASHER**

**8-49-1**

- MATERIAL: NYLON 66(UL)
- FLAME CLASS: 94V-2
- COLOR: NATURAL



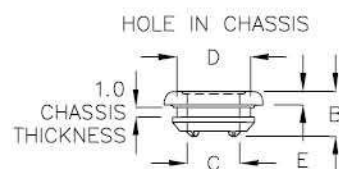
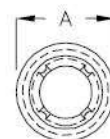
| PART NO | A    | B   | C    | D    | PACKAGE |
|---------|------|-----|------|------|---------|
| WSN-2A  | ∅6.3 | 2.6 | ∅2.3 | ∅4.3 | 2000    |



**防震華司 SHOCK-ABSORB WASHER**

**8-49-2**

- MATERIAL: TPE
- COLOR: BLACK



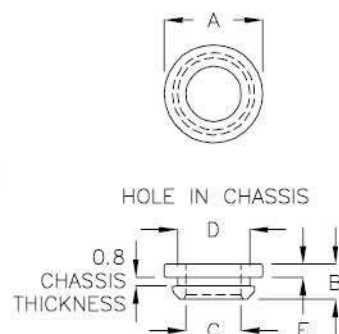
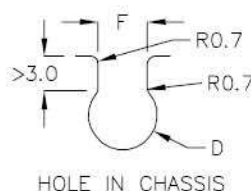
| PART NO  | A     | B   | C    | D HOLE IN CHASSIS | E   | PACKAGE |
|----------|-------|-----|------|-------------------|-----|---------|
| GLH-2A   | ∅10.3 | 4.7 | ∅5.5 | ∅8.0              | 1.4 | 2000    |
| GLH-12MP | ∅12.0 | 4.9 | ∅6.2 | ∅8.2              | 1.8 |         |



**防震華司 SHOCK-ABSORB WASHER**

**8-49-3**

- MATERIAL: TPE
- COLOR: BLACK



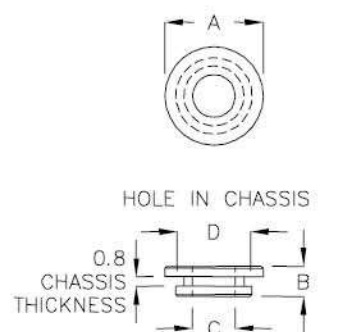
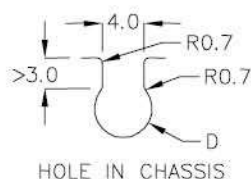
| PART NO  | A     | B   | C     | D HOLE IN CHASSIS | E   | F   | PACKAGE |
|----------|-------|-----|-------|-------------------|-----|-----|---------|
| GLH-10CT | ∅10.0 | 4.1 | ∅4.55 | ∅7.0              | 1.6 | 5.0 | 2000    |
| GLH-3WD  | ∅11.0 | 3.9 | ∅6.4  | ∅8.1              | 1.5 | 6.0 |         |



**防震華司 SHOCK-ABSORB WASHER**

**8-49-4**

- MATERIAL: TPE
- COLOR: BLACK

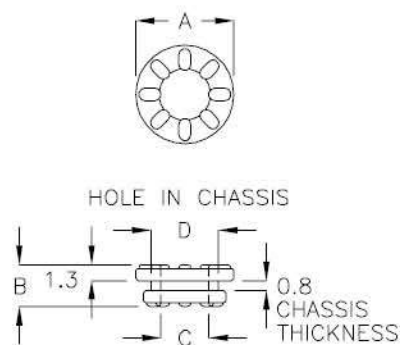


| PART NO | A    | B   | C    | D HOLE IN CHASSIS | PACKAGE |
|---------|------|-----|------|-------------------|---------|
| GQH-9AT | ∅9.0 | 2.8 | ∅3.9 | ∅5.5              | 2000    |



**防震華司 SHOCK-ABSORB WASHER 8-50-1**

- MATERIAL: TPE
- COLOR: BLACK

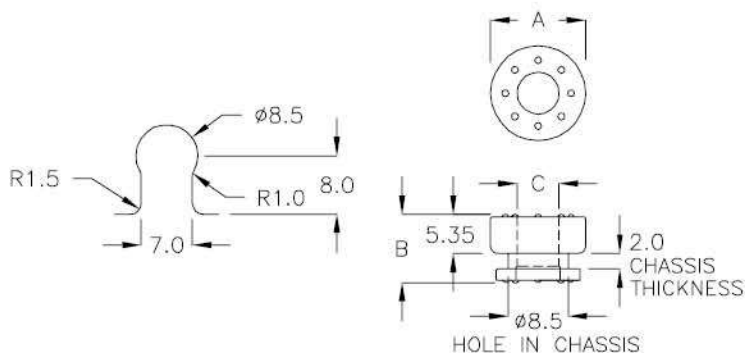


| PART NO | A    | B   | C    | D    | HOLE IN CHASSIS | PACKAGE |
|---------|------|-----|------|------|-----------------|---------|
| GSQ-8AC | ø8.0 | 3.4 | ø3.9 | ø5.5 |                 | 2000    |



**防震華司 SHOCK-ABSORB WASHER 8-50-2**

- MATERIAL: TPE
- COLOR: BLACK

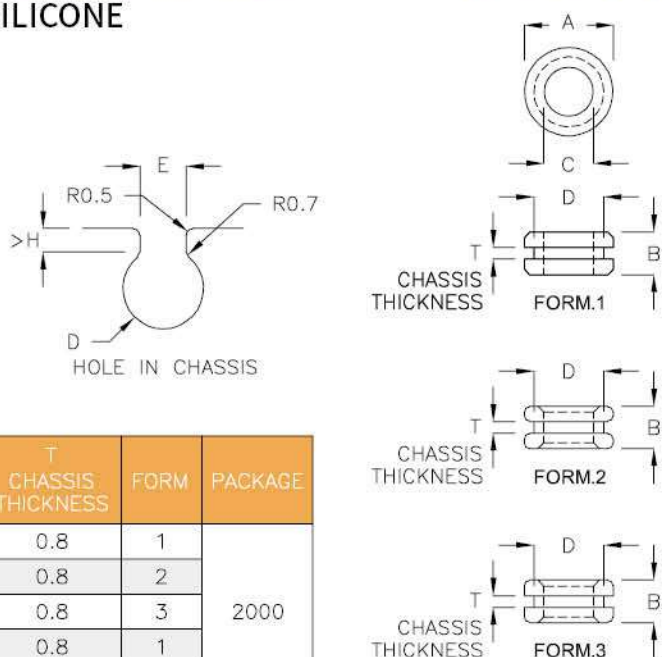


| PART NO | A     | B    | C    | PACKAGE |
|---------|-------|------|------|---------|
| GSK-13A | ø13.0 | 9.35 | ø5.6 | 1000    |



**防震華司 SHOCK-ABSORB WASHER 8-50-3**

- MATERIAL: TPR,TPE,SILICONE
- COLOR: BLACK

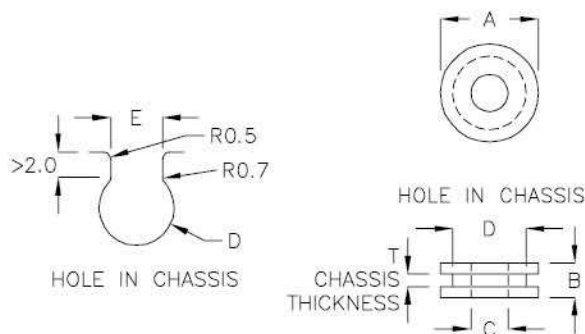


| PART NO  | MATERIAL | A     | B    | C    | D    | E   | H   | T   | CHASSIS THICKNESS | FORM | PACKAGE |
|----------|----------|-------|------|------|------|-----|-----|-----|-------------------|------|---------|
| WSS-02C  | TPR      | ø7.0  | 2.8  | ø3.9 | ø5.5 | 4.0 | 1.6 | 0.8 |                   | 1    | 2000    |
| WSS-03A  | SILICONE | ø7.0  | 3.4  | ø3.9 | ø5.5 | 4.0 | 1.6 | 0.8 |                   | 2    |         |
| WSS-3RK  | SILICONE | ø8.2  | 3.8  | ø4.0 | ø6.0 | 4.0 | 2.0 | 0.8 |                   | 3    |         |
| WSS-07   | TPE      | ø7.0  | 5.0  | ø3.9 | ø5.5 | 4.0 | 1.6 | 0.8 |                   | 1    |         |
| WSS-5GD  | TPE      | ø5.0  | 4.0  | ø2.5 | ø4.0 | 3.0 | 1.5 | 1.0 |                   | 2    |         |
| WSS-10CQ | SILICONE | ø10.0 | 5.35 | ø4.0 | ø6.0 | 4.0 | 3.0 | 1.2 |                   | 3    | 1000    |



**防震華司 SHOCK-ABSORB WASHER 8-51-1**

- MATERIAL: TPE
- COLOR: BLACK

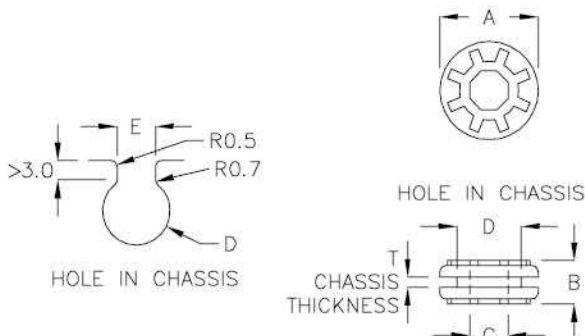


| PART NO  | A     | B   | C    | D HOLE IN CHASSIS | E   | T CHASSIS THICKNESS | PACKAGE |
|----------|-------|-----|------|-------------------|-----|---------------------|---------|
| GSH-12RT | φ12.0 | 6.0 | φ3.9 | φ7.5              | 6.5 | 1.0                 | 1000    |
| GSH-12AP | φ12.0 | 9.0 | φ6.0 | φ9.0              | 8.0 | 1.0                 |         |
| GSH-12   | φ12.7 | 4.4 | φ4.8 | φ9.5              | 8.5 | 1.6                 |         |

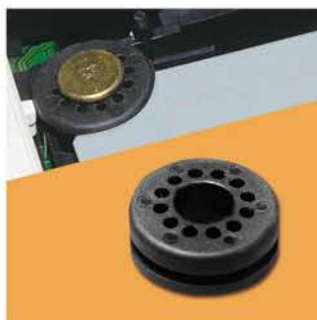


**防震華司 SHOCK-ABSORB WASHER 8-51-2**

- MATERIAL: TPE
- COLOR: BLACK

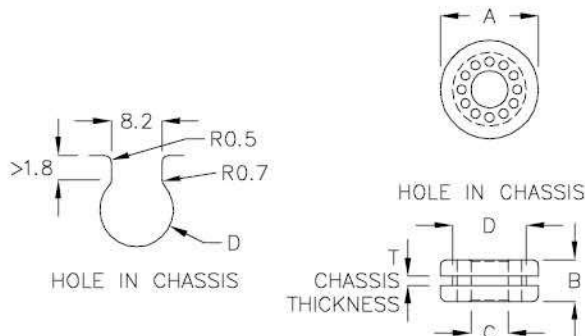


| PART NO | A     | B    | C   | D HOLE IN CHASSIS | E    | T CHASSIS THICKNESS | PACKAGE |
|---------|-------|------|-----|-------------------|------|---------------------|---------|
| GSA-2C  | φ16.0 | 7.0  | 6.3 | φ10.5             | 9.0  | 1.6                 | 500     |
| GSA-2D  | φ20.0 | 14.0 | 6.3 | φ14.7             | 13.2 | 1.6                 | 200     |



**防震華司 SHOCK-ABSORB WASHER 8-51-3**

- MATERIAL: TPE
- COLOR: BLACK



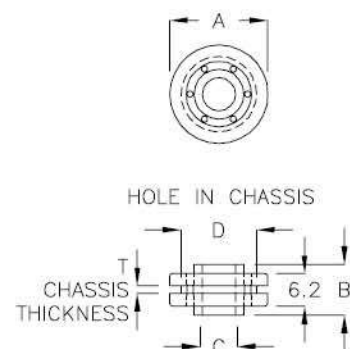
| PART NO | A     | B   | C    | D HOLE IN CHASSIS | T CHASSIS THICKNESS | PACKAGE |
|---------|-------|-----|------|-------------------|---------------------|---------|
| GSA-2H  | φ12.7 | 5.4 | φ4.8 | φ9.2              | 1.0                 | 1000    |



防震華司 SHOCK-ABSORB WASHER ——— | 8-52-1 |

- MATERIAL: TPE
- COLOR: BLACK

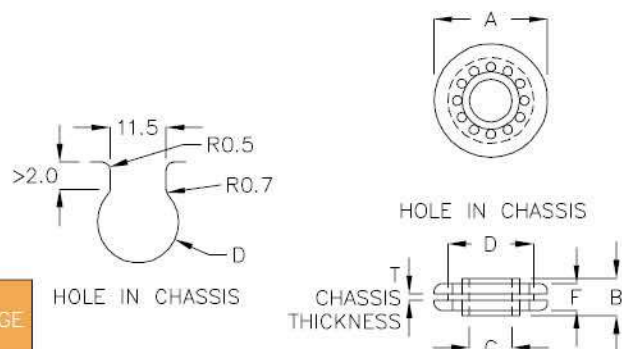
| PART NO | A     | B   | C    | D<br>HOLE IN<br>CHASSIS | T<br>CHASSIS<br>THICKNESS | PACKAGE |
|---------|-------|-----|------|-------------------------|---------------------------|---------|
| GSD-01  | ∅18.8 | 9.7 | ∅6.3 | ∅14.4                   | 1.4                       | 200     |



防震華司 SHOCK-ABSORB WASHER ——— | 8-52-2 |

- MATERIAL: TPE
- COLOR: BLACK

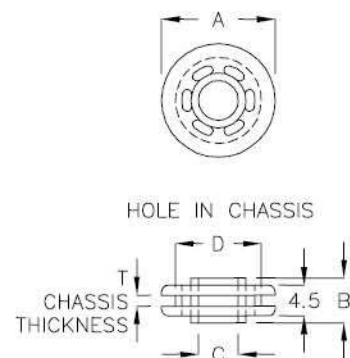
| PART NO | A     | B    | C    | D<br>HOLE IN<br>CHASSIS | F    | T<br>CHASSIS<br>THICKNESS | PACKAGE |
|---------|-------|------|------|-------------------------|------|---------------------------|---------|
| GSA-1A  | ∅16.5 | 5.45 | ∅6.2 | ∅12.5                   | 3.85 | 0.85                      | 500     |
| GSA-2A  | ∅16.5 | 6.5  | ∅6.6 | ∅12.5                   | 4.9  | 1.6                       |         |



防震華司 SHOCK-ABSORB WASHER ——— | 8-52-3 |

- MATERIAL: TPE
- COLOR: BLACK

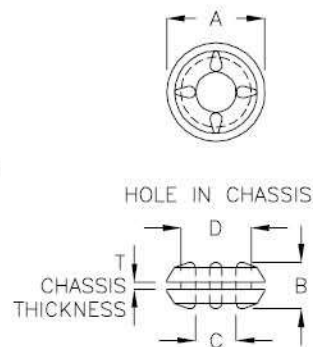
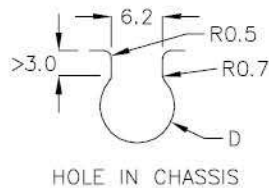
| PART NO | A     | B   | C    | D<br>HOLE IN<br>CHASSIS | T<br>CHASSIS<br>THICKNESS | PACKAGE |
|---------|-------|-----|------|-------------------------|---------------------------|---------|
| GSE-16A | ∅16.5 | 6.5 | ∅5.8 | ∅12.5                   | 1.6                       | 500     |





**防震華司 SHOCK-ABSORB WASHER 8-53-1**

- MATERIAL: TPE
- COLOR: BLACK

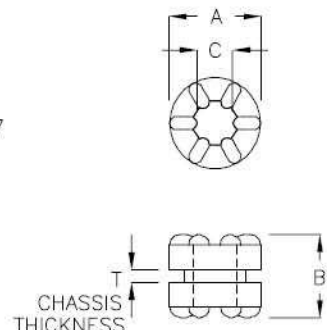
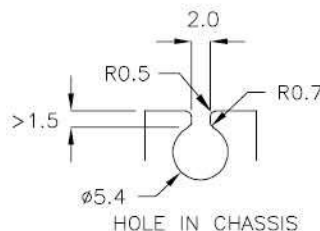


| PART NO | A     | B   | C    | D<br>HOLE IN CHASSIS | T<br>CHASSIS THICKNESS | PACKAGE |
|---------|-------|-----|------|----------------------|------------------------|---------|
| GSA-03  | ∅11.2 | 5.3 | ∅4.6 | ∅8.0                 | 0.8                    | 2000    |



**防震華司 SHOCK-ABSORB WASHER 8-53-2**

- MATERIAL: SILICONE
- COLOR: BLACK

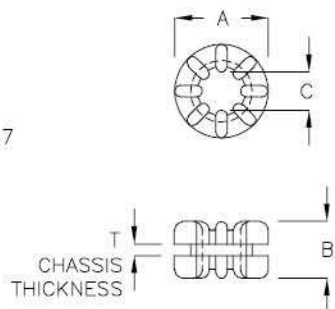
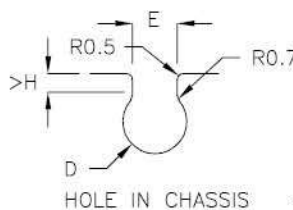


| PART NO | A    | B   | C    | T<br>CHASSIS THICKNESS | PACKAGE |
|---------|------|-----|------|------------------------|---------|
| GSA-08  | ∅8.6 | 7.8 | ∅3.3 | 0.6~1.0                | 2000    |



**防震華司 SHOCK-ABSORB WASHER 8-53-3**

- MATERIAL: TPE,SILICONE
- COLOR: BLACK

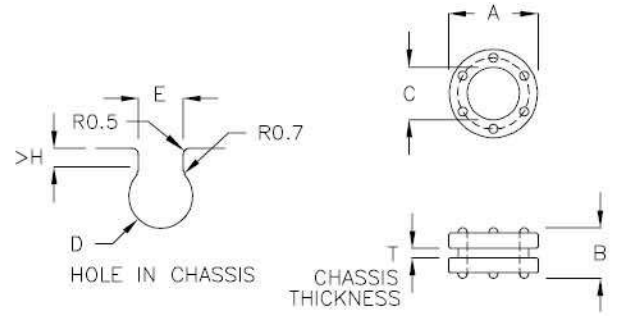


| PART NO | MATERIAL | A     | B    | C    | D    | E   | H   | T<br>CHASSIS THICKNESS | PACKAGE |
|---------|----------|-------|------|------|------|-----|-----|------------------------|---------|
| GSA-7A  | TPE      | ∅7.2  | 5.1  | ∅4.2 | ∅6.0 | 5.0 | 1.5 | 0.8                    | 1000    |
| GSA-8LM | TPE      | ∅7.8  | 4.5  | ∅4.0 | ∅5.8 | 4.2 | 1.5 | 1.0                    | 2000    |
| GSA-8QT | TPE      | ∅8.6  | 7.8  | ∅3.3 | ∅5.4 | 3.5 | 1.5 | 0.6~1.0                |         |
| GSA-010 | TPE      | ∅9.6  | 5.8  | ∅3.9 | ∅6.3 | 5.0 | 1.8 | 1.2                    | 1000    |
| GSA-09  | TPE      | ∅9.6  | 7.6  | ∅4.0 | ∅6.4 | 5.0 | 1.8 | 3.2                    |         |
| GSA-9KP | TPE      | ∅9.6  | 4.6  | ∅4.3 | ∅6.5 | 5.0 | 1.9 | 1.0                    |         |
| GSA-9SQ | TPE      | ∅9.6  | 5.8  | ∅3.9 | ∅6.3 | 5.0 | 4.5 | 0.8                    |         |
| GSA-10A | TPE      | ∅9.6  | 5.8  | ∅3.9 | ∅6.3 | 5.0 | 4.5 | 1.0                    |         |
| GSA-04  | SILICONE | ∅14.3 | 7.95 | ∅5.0 | ∅9.5 | 7.5 | 3.0 | 1.0                    |         |
| GSA-14  | TPE      | ∅14.3 | 8.2  | ∅4.7 | ∅9.5 | 7.5 | 3.0 | 1.6                    |         |
| GSA-14A | TPE      | ∅14.3 | 9.5  | ∅5.6 | ∅9.5 | 7.5 | 3.0 | 3.2                    |         |



防震華司 SHOCK-ABSORB WASHER — 8-54-1

- MATERIAL: TPE
- COLOR: BLACK

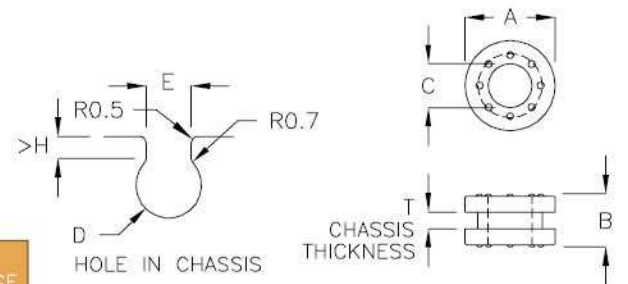


| PART NO | A    | B   | C    | D    | E   | H   | T<br>CHASSIS<br>THICKNESS | PACKAGE |
|---------|------|-----|------|------|-----|-----|---------------------------|---------|
| GSM-9F  | ø9.5 | 5.4 | ø5.6 | ø7.5 | 6.1 | 1.8 | 1.0                       | 1000    |



防震華司 SHOCK-ABSORB WASHER — 8-54-2

- MATERIAL: TPE
- COLOR: BLACK

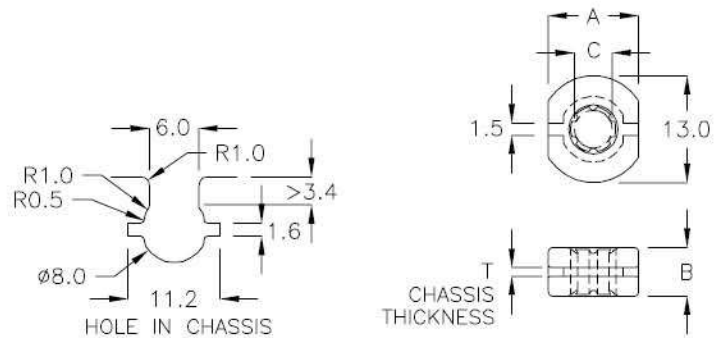


| PART NO | A     | B   | C    | D    | E   | H   | T<br>CHASSIS<br>THICKNESS | PACKAGE |
|---------|-------|-----|------|------|-----|-----|---------------------------|---------|
| GSM-11K | ø11.5 | 6.8 | ø5.6 | ø8.4 | 7.0 | 2.8 | 2.0                       | 500     |



防震華司 SHOCK-ABSORB WASHER — 8-54-3

- MATERIAL: TPE
- COLOR: BLACK



| PART NO | A    | B   | C    | T<br>CHASSIS<br>THICKNESS | PACKAGE |
|---------|------|-----|------|---------------------------|---------|
| GSB-13K | 11.0 | 5.9 | ø4.6 | 1.0                       | 1000    |



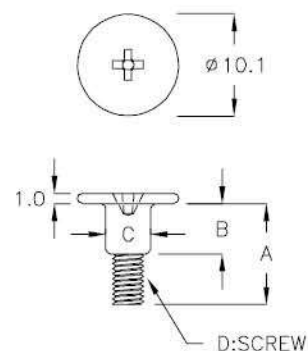


**防震華司用螺絲 SCREW 8-55-1**

- MATERIAL: STEEL PLATING NI
- COLOR: SILVER
- D: SCREW

| PART NO | A    | B   | C    | D     | PACKAGE |
|---------|------|-----|------|-------|---------|
| SWA-05  | 9.8  | 5.0 | φ4.4 | M3    | 2000    |
| SWA-5DA | 9.8  | 5.0 | φ4.4 | #6-32 |         |
| SWA-5F  | 11.0 | 5.0 | φ4.4 | M3    |         |

ASSEMBLE WITH P.G PART GSA-010 (Page 8-53-3)

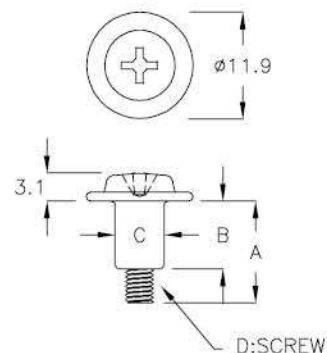


**防震華司用螺絲 SCREW 8-55-2**

- MATERIAL: STEEL PLATING NI
- COLOR: SILVER
- D: SCREW

| PART NO | A    | B   | C    | D  | PACKAGE |
|---------|------|-----|------|----|---------|
| SWA-7A  | 11.3 | 7.5 | φ5.4 | M3 | 1000    |

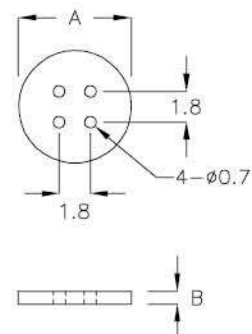
ASSEMBLE WITH P.G PART GSA-04 (Page 8-53-3)



**電晶體墊片 TRANSISTOR WASHER 8-55-3**

- MATERIAL: NYLON 66(UL)
- FLAME CLASS: 94V-2
- COLOR: NATURAL

| PART NO | A    | B    | PACKAGE |
|---------|------|------|---------|
| TRC-201 | φ6.5 | 0.75 | 2000    |



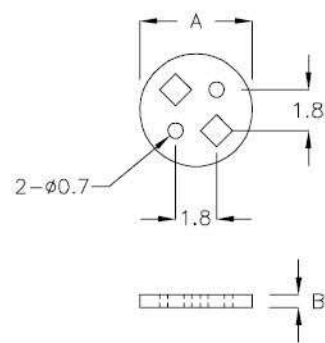


電晶體墊片 TRANSISTOR WASHER

8-56-1

- MATERIAL: NYLON 66(UL)
- FLAME CLASS: 94V-2
- COLOR: NATURAL

| PART NO | A    | B    | PACKAGE |
|---------|------|------|---------|
| TRC-202 | ø5.0 | 0.75 | 2000    |

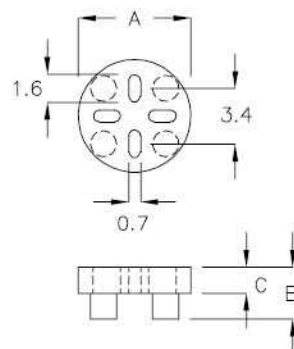


電晶體墊片 TRANSISTOR WASHER

8-56-2

- MATERIAL: NYLON 66(UL)
- FLAME CLASS: 94V-2
- COLOR: NATURAL

| PART NO  | A    | B   | C   | PACKAGE |
|----------|------|-----|-----|---------|
| TRC-301  | ø6.5 | 3.0 | 1.5 | 2000    |
| TRC-301M | ø6.5 | 1.6 | 1.0 |         |

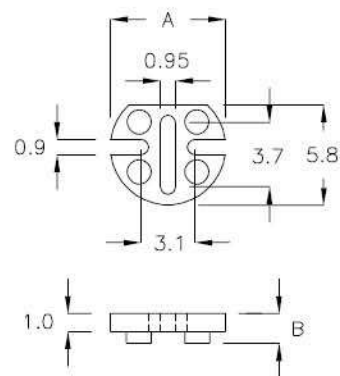


電晶體墊片 TRANSISTOR WASHER

8-56-3

- MATERIAL: NYLON 66(UL)
- FLAME CLASS: 94V-2
- COLOR: NATURAL

| PART NO  | A    | B   | PACKAGE |
|----------|------|-----|---------|
| TRC-301S | ø6.5 | 1.7 | 2000    |

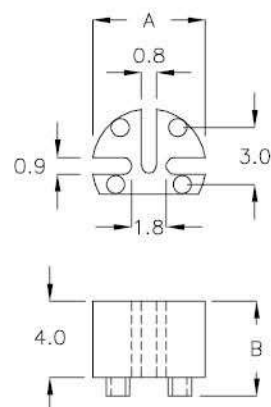


電晶體墊片 TRANSISTOR WASHER

8-56-4

- MATERIAL: NYLON 66(UL)
- FLAME CLASS: 94V-2
- COLOR: BLACK

| PART NO | A    | B   | PACKAGE |
|---------|------|-----|---------|
| TRC-302 | ø6.0 | 5.0 | 2000    |

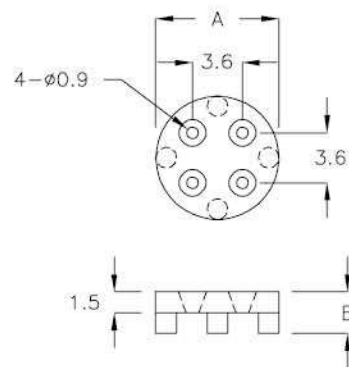




**電晶體墊片 TRANSISTOR WASHER 8-57-1**

- MATERIAL: NYLON 66(UL)
- FLAME CLASS: 94V-2
- COLOR: NATURAL

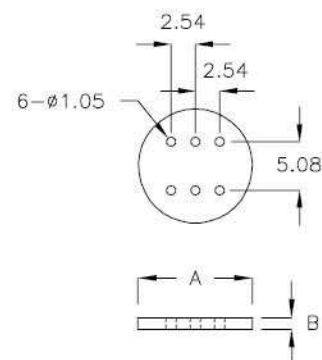
| PART NO  | A    | B   | PACKAGE |
|----------|------|-----|---------|
| TRC-501  | ø8.9 | 3.0 | 2000    |
| TRC-501A | ø8.9 | 4.5 |         |



**電晶體墊片 TRANSISTOR WASHER 8-57-2**

- MATERIAL: NYLON 66(UL)
- FLAME CLASS: 94V-2
- COLOR: NATURAL

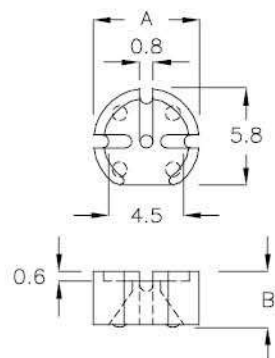
| PART NO | A     | B   | PACKAGE |
|---------|-------|-----|---------|
| TRC-601 | ø12.0 | 1.2 | 2000    |



**電晶體墊片 TRANSISTOR WASHER 8-57-3**

- MATERIAL: PBT(UL)
- FLAME CLASS: 94V-0
- COLOR: BLACK

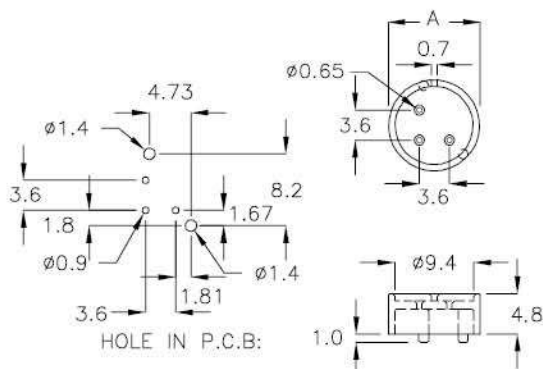
| PART NO | A    | B   | PACKAGE |
|---------|------|-----|---------|
| TRA-3A  | ø6.4 | 3.4 | 2000    |



**熱釋電紅外線感測器座 PIR HOLDER 8-57-4**

- MATERIAL: NYLON 66(UL)
- FLAME CLASS: 94V-2
- COLOR: BLACK

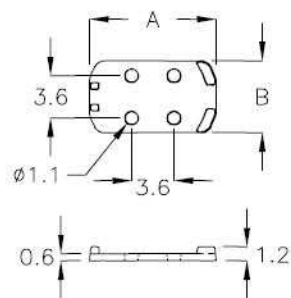
| PART NO | A     | PACKAGE |
|---------|-------|---------|
| TQJ-04  | ø11.0 | 500     |





熱釋電紅外線感測器座 PIR HOLDER ——— 8-58-1

- MATERIAL: PPS(UL)
- FLAME CLASS: 94V-0
- COLOR: BLACK

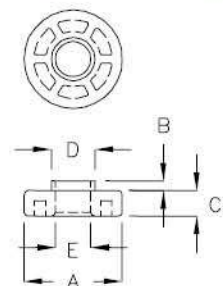


| PART NO | A    | B    | PACKAGE |
|---------|------|------|---------|
| TQP-10C | 10.7 | 6.15 | 2000    |



華司 WASHER ——— 8-58-2

- MATERIAL: NYLON 66(UL)
- FLAME CLASS: 94V-2
- COLOR: NATURAL

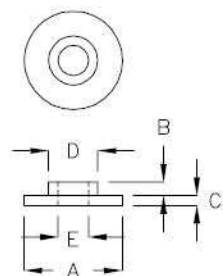


| PART NO | A     | B   | C   | D    | E    | PACKAGE |
|---------|-------|-----|-----|------|------|---------|
| WSG-6C  | φ12.0 | 1.2 | 3.1 | φ5.3 | φ4.3 | 2000    |



華司 WASHER ——— 8-58-3

- MATERIAL: NYLON 66(UL)
- FLAME CLASS: 94V-2
- MATERIAL: POM(UL),TPE
- COLOR: NATURAL,BLACK



| PART NO  | MATERIAL | COLOR   | A      | B   | C   | D     | E     | PACKAGE |
|----------|----------|---------|--------|-----|-----|-------|-------|---------|
| WSG-04   | N66      | NATURAL | φ5.6   | 0.6 | 0.8 | φ3.85 | φ2.9  | 2000    |
| WSG-9Q   | N66      | NATURAL | φ7.2   | 0.7 | 1.0 | φ5.2  | φ3.2  |         |
| WSG-9C   | POM      | NATURAL | φ9.0   | 1.5 | 1.0 | φ6.3  | φ4.5  |         |
| WSG-01   | N66      | NATURAL | φ10.0  | 1.8 | 1.0 | φ5.0  | φ3.1  |         |
| WSG-02   | TPE      | BLACK   | φ10.0  | 1.8 | 1.0 | φ5.5  | φ4.0  |         |
| WSG-10BD | N66      | BLACK   | φ10.0  | 2.0 | 1.2 | φ7.0  | φ4.3  | 1000    |
| WSG-11B  | N66      | NATURAL | φ10.9  | 2.3 | 1.3 | φ6.8  | φ2.95 | 2000    |
| WSG-06   | N66      | NATURAL | φ12.0  | 3.0 | 3.2 | φ6.2  | φ3.0  |         |
| WSG-6A   | N66      | NATURAL | φ12.0  | 3.0 | 1.4 | φ8.0  | φ3.0  |         |
| WSG-12CR | N66      | NATURAL | φ12.7  | 0.8 | 0.8 | φ6.2  | φ4.4  |         |
| WSG-05   | N66      | NATURAL | φ12.85 | 0.8 | 1.6 | φ9.5  | φ6.4  |         |
| WSG-07   | N66      | NATURAL | φ13.0  | 5.0 | 1.5 | φ8.2  | φ3.0  |         |
| WSG-10M  | N66      | NATURAL | φ13.0  | 2.4 | 1.7 | φ7.9  | φ6.6  |         |

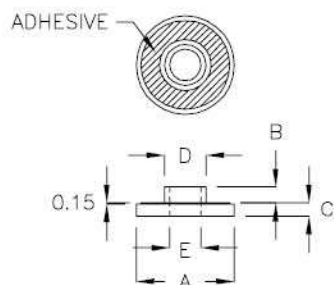


華司 WASHER

8-59-1

- MATERIAL: PPO(UL)
- FLAME CLASS: 94V-1
- COLOR: GRAY
- ADHESIVE TAPE: 3M

| PART NO | A     | B    | C    | D    | E    | PACKAGE |
|---------|-------|------|------|------|------|---------|
| WSI-20P | ∅20.0 | 3.35 | 2.65 | ∅8.4 | ∅6.4 | 1000    |

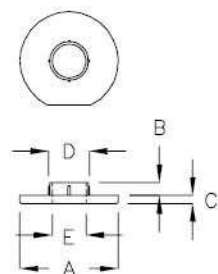


華司 WASHER

8-59-2

- MATERIAL: NYLON 66(UL)
- FLAME CLASS: 94V-2
- COLOR: BLACK

| PART NO  | A     | B   | C   | D    | E     | PACKAGE |
|----------|-------|-----|-----|------|-------|---------|
| WSGT-10F | ∅10.0 | 1.3 | 0.8 | 4.05 | ∅3.45 | 1000    |

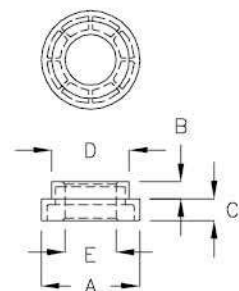


華司 WASHER

8-59-3

- MATERIAL: NYLON 66(UL)
- FLAME CLASS: 94V-2
- COLOR: BLACK

| PART NO  | A     | B   | C   | D     | E     | PACKAGE |
|----------|-------|-----|-----|-------|-------|---------|
| WSGB-20A | ∅20.0 | 3.5 | 4.5 | ∅15.8 | ∅10.2 | 1000    |

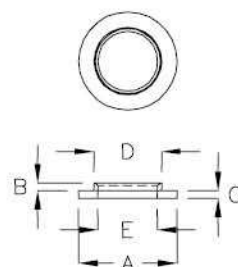


華司 WASHER

8-59-4

- MATERIAL: NYLON 66(UL)
- FLAME CLASS: 94V-2
- COLOR: NATURAL

| PART NO | A     | B   | C    | D     | E    | PACKAGE |
|---------|-------|-----|------|-------|------|---------|
| WSG-03  | ∅16.0 | 1.0 | 0.85 | ∅11.0 | ∅9.7 | 2000    |



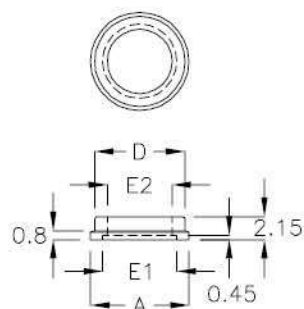


### 華司 WASHER

8-60-1

- MATERIAL: POM(UL)
- FLAME CLASS: 94HB
- COLOR: NATURAL

| PART NO | A      | D     | E1    | E2    | PACKAGE |
|---------|--------|-------|-------|-------|---------|
| WSG-6F  | φ12.55 | φ11.5 | φ9.3  | φ8.1  | 2000    |
| WSG-8A  | φ12.35 | φ11.4 | φ9.35 | φ8.15 |         |

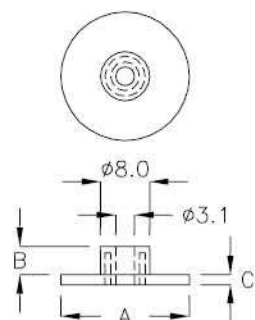


### 電晶體墊片 TRANSISTOR WASHER

8-60-2

- MATERIAL: NYLON 66(UL)
- FLAME CLASS: 94V-2
- COLOR: NATURAL

| PART NO | A     | B   | C   | PACKAGE |
|---------|-------|-----|-----|---------|
| 821     | φ21.0 | 4.6 | 1.6 | 500     |

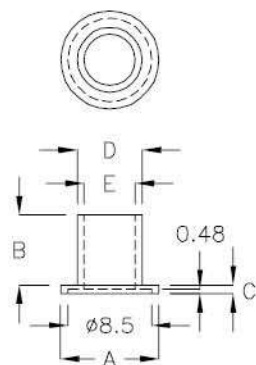


### 華司 WASHER

8-60-3

- MATERIAL: NYLON 66(UL)
- FLAME CLASS: 94V-2
- COLOR: NATURAL

| PART NO | A     | B   | C   | D    | E    | PACKAGE |
|---------|-------|-----|-----|------|------|---------|
| WWA-01  | φ10.0 | 7.1 | 0.9 | φ6.6 | φ5.2 | 1000    |

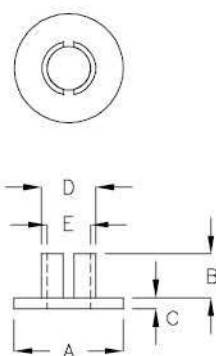


### 華司 WASHER

8-60-4

- MATERIAL: NYLON 66(UL)
- FLAME CLASS: 94V-2
- COLOR: NATURAL, BLACK

| PART NO | A     | B   | C   | D    | E    | PACKAGE |
|---------|-------|-----|-----|------|------|---------|
| WSE-01  | φ10.0 | 4.0 | 1.0 | φ5.0 | φ4.0 | 2000    |
| WSE-02  | φ15.8 | 3.8 | 1.5 | φ8.6 | φ6.5 |         |
| WSE-03  | φ15.9 | 4.3 | 1.0 | φ8.6 | φ6.5 |         |

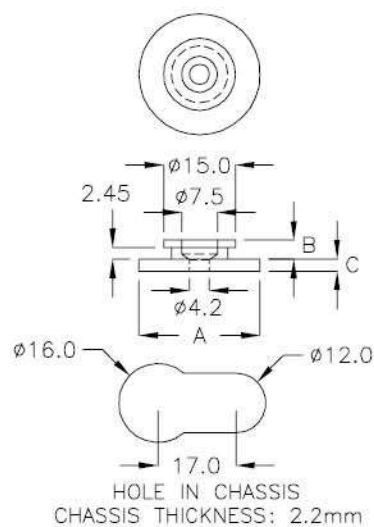




**華司 WASHER** ————— | 8-61-1 |

- MATERIAL: NYLON 66(UL)
- FLAME CLASS: 94V-2
- COLOR: BLACK
- WITH COUNTERSUNK SCREW

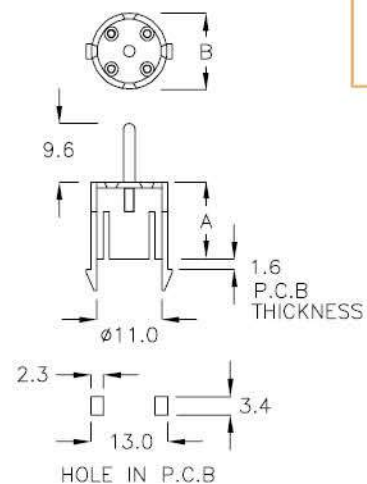
| PART NO  | A     | B    | C   | PACKAGE |
|----------|-------|------|-----|---------|
| WSNA-25K | ø25.3 | 3.95 | 2.5 | 500     |



**電感保護罩 INSULATED CAP** ————— | 8-61-2 |

- MATERIAL: NYLON 66(UL)
- FLAME CLASS: 94V-2
- COLOR: BLACK

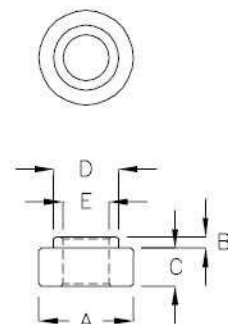
| PART NO | A    | B     | PACKAGE |
|---------|------|-------|---------|
| CAP-01  | 13.0 | ø13.0 | 500     |



**電晶體墊片 TRANSISTOR WASHER** ————— | 8-61-3 |

- MATERIAL: PPS(UL)
- FLAME CLASS: 94V-0
- COLOR: BLACK

| PART NO | A    | B   | C   | D    | E     | PACKAGE |
|---------|------|-----|-----|------|-------|---------|
| 40M-2H  | ø4.2 | 0.5 | 1.7 | ø2.9 | ø2.05 | 2000    |

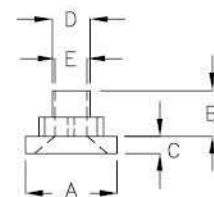




電晶體墊片 TRANSISTOR WASHER ———— 8-62-1 |

- MATERIAL: NYLON 66(UL)
- FLAME CLASS: 94V-0
- COLOR: NATURAL
- WITH COUNTERSUNK SCREW

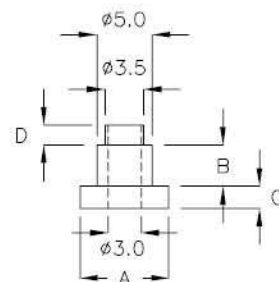
| PART NO | A    | B    | C   | D    | E    | PACKAGE |
|---------|------|------|-----|------|------|---------|
| 60M-16  | ø8.5 | 4.35 | 1.6 | ø3.5 | ø3.0 | 2000    |



電晶體墊片 TRANSISTOR WASHER ———— 8-62-2 |

- MATERIAL: NYLON 66(UL)
- FLAME CLASS: 94V-2
- COLOR: NATURAL

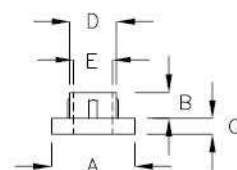
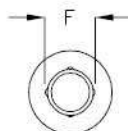
| PART NO | A    | B   | C   | D   | PACKAGE |
|---------|------|-----|-----|-----|---------|
| 807     | ø8.0 | 3.7 | 2.0 | 1.8 | 2000    |
| 807S    | ø8.0 | 2.9 | 2.0 | 1.8 |         |



電晶體墊片 TRANSISTOR WASHER ———— 8-62-3 |

- MATERIAL: PPS(UL)
- FLAME CLASS: 94V-0
- COLOR: BLACK

| PART NO | A    | B   | C   | D   | E   | F    | PACKAGE |
|---------|------|-----|-----|-----|-----|------|---------|
| 60T-12  | ø6.4 | 2.0 | 1.2 | 3.7 | 3.0 | 3.76 | 2000    |
| 60T-20  | ø6.4 | 2.0 | 1.2 | 3.6 | 3.0 | 3.86 |         |



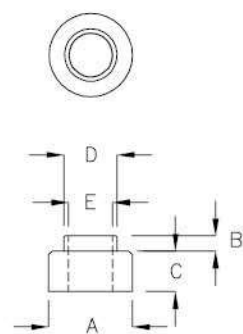




**電晶體墊片 TRANSISTOR WASHER 8-63-1**

- MATERIAL: NYLON 46(UL)
- FLAME CLASS: 94V-0
- COLOR: BLACK

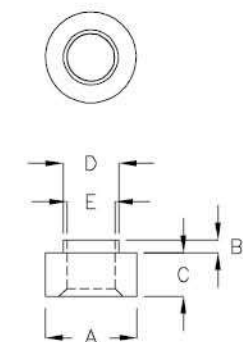
| PART NO  | A    | B   | C   | D    | E    | PACKAGE |
|----------|------|-----|-----|------|------|---------|
| 60K-29   | ø6.0 | 1.1 | 2.9 | ø3.8 | ø3.2 | 2000    |
| 60K-28C  | ø6.0 | 1.0 | 2.8 | ø3.8 | ø3.2 |         |
| 602-46-1 | ø6.1 | 1.6 | 1.4 | ø3.5 | ø3.0 |         |



**電晶體墊片 TRANSISTOR WASHER 8-63-2**

- MATERIAL: NYLON 66(UL)
- FLAME CLASS: 94V-0
- COLOR: NATURAL

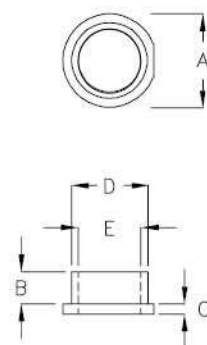
| PART NO | A    | B   | C   | D    | E    | PACKAGE |
|---------|------|-----|-----|------|------|---------|
| 603FK   | ø6.0 | 0.8 | 2.8 | ø3.6 | ø3.1 | 2000    |



**電晶體墊片 TRANSISTOR WASHER 8-63-3**

- MATERIAL: PPS(UL)
- FLAME CLASS: 94V-0
- COLOR: BLACK

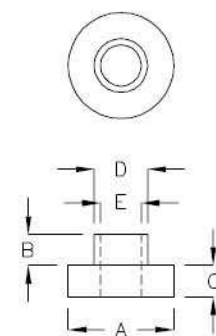
| PART NO | A    | B   | C   | D     | E     | PACKAGE |
|---------|------|-----|-----|-------|-------|---------|
| 603QT   | ø4.4 | 1.5 | 0.5 | ø3.55 | ø2.95 | 2000    |





電晶體墊片 TRANSISTOR WASHER 8-64-1

- MATERIAL: NYLON 66(UL)
- FLAME CLASS: 94V-2
- OPTIONAL MATERIAL: NYLON 46(UL), PPS(UL)
- FLAME CLASS: 94V-0
- COLOR: NATURAL, BLACK



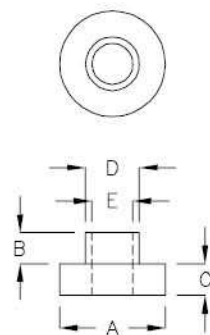
| PART NO | A    | B    | C    | D     | E     | PACKAGE |
|---------|------|------|------|-------|-------|---------|
| 601A    | ø3.6 | 2.8  | 1.0  | ø3.0  | ø1.8  | 2000    |
| 601C    | ø3.6 | 2.8  | 1.0  | ø3.0  | ø2.0  |         |
| 601     | ø4.6 | 2.4  | 1.2  | ø3.0  | ø2.3  |         |
| 603GK   | ø4.7 | 3.25 | 0.7  | ø3.55 | ø3.0  |         |
| 601W    | ø5.0 | 1.0  | 0.8  | ø3.0  | ø2.0  |         |
| 601M    | ø5.0 | 1.7  | 1.0  | ø3.0  | ø2.2  |         |
| 604PH   | ø5.0 | 2.4  | 1.9  | ø3.1  | ø2.5  |         |
| 602YH   | ø5.0 | 1.6  | 1.3  | ø3.5  | ø3.0  |         |
| 603NJ   | ø5.0 | 2.0  | 1.9  | ø3.5  | ø3.0  |         |
| 603QH   | ø5.0 | 2.4  | 1.9  | ø3.5  | ø3.0  |         |
| 601S    | ø5.4 | 0.8  | 1.0  | ø3.4  | ø2.9  |         |
| 601Q    | ø5.5 | 2.16 | 1.04 | ø3.64 | ø2.56 |         |
| 601R    | ø5.7 | 1.75 | 0.95 | ø3.55 | ø2.95 |         |
| 603     | ø5.9 | 2.2  | 1.9  | ø3.55 | ø2.95 |         |
| 601J    | ø6.0 | 0.9  | 2.5  | ø3.0  | ø2.2  |         |
| 601H    | ø6.0 | 4.0  | 1.5  | ø3.0  | ø2.5  |         |
| 601D    | ø6.0 | 4.5  | 1.0  | ø3.0  | ø2.5  |         |
| 602HC   | ø6.0 | 1.6  | 1.3  | ø3.5  | ø2.95 |         |
| 603D    | ø6.0 | 2.5  | 1.2  | ø3.5  | ø2.7  |         |
| 604P    | ø6.0 | 2.54 | 2.0  | ø3.5  | ø2.88 |         |
| 605A    | ø6.0 | 5.7  | 1.2  | ø3.5  | ø2.95 |         |
| 602S    | ø6.0 | 1.2  | 1.3  | ø3.55 | ø2.95 |         |
| 602     | ø6.0 | 1.6  | 1.3  | ø3.55 | ø2.95 |         |
| 602Y    | ø6.0 | 1.6  | 1.3  | ø3.55 | ø3.0  |         |
| 603L    | ø6.0 | 2.0  | 2.0  | ø3.55 | ø2.95 |         |
| 603M    | ø6.0 | 2.3  | 1.8  | ø3.55 | ø2.95 |         |
| 603P    | ø6.0 | 2.3  | 1.8  | ø3.55 | ø3.0  |         |
| 604S    | ø6.0 | 3.1  | 1.5  | ø3.55 | ø2.95 |         |
| 604     | ø6.0 | 3.2  | 2.0  | ø3.55 | ø2.95 |         |
| 608L    | ø6.0 | 7.7  | 1.0  | ø3.55 | ø2.95 |         |
| 605U    | ø6.0 | 1.5  | 0.5  | ø3.6  | ø3.0  |         |
| 602L    | ø6.0 | 1.5  | 1.5  | ø3.6  | ø3.0  |         |

| PART NO | A     | B    | C    | D     | E     | PACKAGE |
|---------|-------|------|------|-------|-------|---------|
| 603AG   | ø6.1  | 0.8  | 2.0  | ø3.55 | ø2.95 | 2000    |
| 602K    | ø6.1  | 1.4  | 1.5  | ø3.55 | ø2.95 |         |
| 602M    | ø6.1  | 1.5  | 1.2  | ø3.55 | ø2.95 |         |
| 603S    | ø6.1  | 1.5  | 2.0  | ø3.55 | ø2.95 |         |
| 603W    | ø6.1  | 1.5  | 2.0  | ø3.55 | ø2.95 |         |
| 603K    | ø6.1  | 2.0  | 1.4  | ø3.55 | ø2.95 |         |
| 603Y    | ø6.1  | 2.25 | 2.0  | ø3.55 | ø2.95 |         |
| 602MS   | ø6.15 | 1.4  | 1.2  | ø3.55 | ø2.95 |         |
| 602TK   | ø6.2  | 1.2  | 1.0  | ø3.5  | ø2.9  |         |
| 603MK   | ø6.2  | 2.4  | 1.9  | ø3.5  | ø3.0  |         |
| 602W    | ø6.2  | 2.4  | 1.9  | ø3.5  | ø3.0  |         |
| 604HQ   | ø6.2  | 3.1  | 1.5  | ø3.5  | ø2.95 |         |
| 602KD   | ø6.2  | 0.6  | 1.2  | ø3.55 | ø2.95 |         |
| 603U    | ø6.2  | 3.0  | 1.9  | ø3.55 | ø3.0  |         |
| 604V    | ø6.2  | 3.1  | 1.5  | ø3.55 | ø2.95 |         |
| 604C    | ø6.2  | 3.6  | 1.2  | ø3.55 | ø2.95 |         |
| 603A    | ø6.2  | 2.9  | 1.9  | ø3.6  | ø2.95 |         |
| 604K    | ø6.22 | 3.1  | 1.02 | ø3.56 | ø2.95 |         |
| 604M    | ø6.3  | 2.6  | 2.0  | ø3.55 | ø2.95 |         |
| 605AF   | ø6.3  | 1.5  | 2.5  | ø3.9  | ø3.2  |         |
| 605W    | ø6.35 | 2.05 | 1.0  | ø4.1  | ø3.15 |         |
| 605MF   | ø6.35 | 2.05 | 1.02 | ø4.35 | ø3.08 |         |
| 605N    | ø6.4  | 2.0  | 1.2  | ø3.53 | ø3.0  |         |
| 605T    | ø6.4  | 3.0  | 1.5  | ø3.53 | ø3.0  |         |
| 604L    | ø6.4  | 2.0  | 1.3  | ø3.55 | ø2.95 |         |
| 606S    | ø6.5  | 1.7  | 2.5  | ø4.15 | ø3.2  |         |
| 606     | ø6.5  | 1.7  | 3.0  | ø4.25 | ø3.2  |         |
| 603T    | ø7.0  | 2.4  | 1.3  | ø3.55 | ø3.0  |         |
| 605S    | ø7.9  | 1.5  | 1.0  | ø3.6  | ø3.0  |         |
| 605     | ø8.0  | 5.7  | 1.2  | ø3.5  | ø2.95 |         |
| 606A    | ø8.0  | 6.3  | 1.2  | ø3.55 | ø2.9  |         |
| 601F    | ø8.0  | 3.9  | 0.5  | ø6.0  | ø3.5  |         |
| 605K    | ø10.0 | 5.7  | 2.2  | ø3.95 | ø2.95 |         |
| 605F    | ø12.0 | 5.7  | 2.7  | ø3.95 | ø2.95 |         |



電晶體墊片 TRANSISTOR WASHER ——— 8-65-1

- MATERIAL: NYLON 66(UL)
- FLAME CLASS: 94V-2
- COLOR: NATURAL
- OPTIONAL MATERIAL: NYLON 46(UL), PPS(UL), PBT(UL)
- FLAME CLASS: 94V-0
- COLOR: NATURAL, BLACK



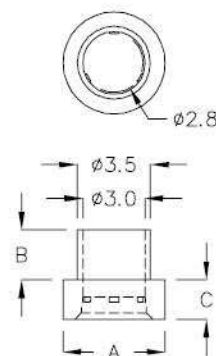
| PART NO | A     | B    | C    | D     | E     | PACKAGE |
|---------|-------|------|------|-------|-------|---------|
| 706A    | ø7.0  | 2.5  | 1.0  | ø3.5  | ø3.1  | 2000    |
| 701     | ø7.0  | 4.4  | 2.0  | ø3.55 | ø2.95 |         |
| 706C    | ø7.0  | 1.67 | 1.06 | ø4.5  | ø2.35 |         |
| 706D    | ø7.0  | 1.67 | 0.81 | ø4.5  | ø2.35 |         |
| 703     | ø7.0  | 2.5  | 2.0  | ø5.0  | ø2.95 |         |
| 704A    | ø7.0  | 3.0  | 1.0  | ø5.0  | ø4.0  |         |
| 705     | ø7.0  | 4.0  | 1.0  | ø5.0  | ø4.0  |         |
| 704     | ø7.0  | 5.8  | 2.0  | ø5.0  | ø3.0  |         |
| 702A    | ø7.11 | 0.8  | 1.2  | ø3.68 | ø3.0  |         |
| 805     | ø7.8  | 3.65 | 1.2  | ø5.9  | ø3.1  |         |
| 805A    | ø7.9  | 2.5  | 1.2  | ø5.9  | ø3.2  |         |
| 806H    | ø8.0  | 2.7  | 1.3  | ø3.05 | ø2.5  |         |
| 805C    | ø8.0  | 1.2  | 4.0  | ø3.5  | ø3.0  |         |
| 803A    | ø8.0  | 2.4  | 1.3  | ø3.5  | ø2.95 |         |
| 806F    | ø8.0  | 2.7  | 1.3  | ø3.5  | ø2.5  |         |
| 802     | ø8.0  | 2.5  | 2.0  | ø3.7  | ø2.95 |         |
| 806     | ø8.0  | 1.9  | 1.45 | ø3.9  | ø3.2  |         |
| 801A    | ø8.0  | 0.9  | 2.0  | ø4.4  | ø3.2  |         |
| 801C    | ø8.0  | 0.9  | 2.0  | ø4.65 | ø4.0  |         |
| 804A    | ø8.0  | 5.1  | 1.0  | ø4.55 | ø3.65 |         |
| 804C    | ø8.0  | 0.9  | 3.2  | ø4.65 | ø3.1  |         |
| 804     | ø8.0  | 3.0  | 3.2  | ø4.65 | ø3.1  |         |

| PART NO | A     | B    | C    | D     | E     | PACKAGE |
|---------|-------|------|------|-------|-------|---------|
| 803     | ø8.1  | 2.7  | 1.2  | ø3.9  | ø3.0  | 2000    |
| 801     | ø8.1  | 0.8  | 1.0  | ø4.9  | ø3.1  |         |
| 805B    | ø8.1  | 6.65 | 1.25 | ø6.0  | ø3.1  |         |
| 808F    | ø8.8  | 2.0  | 0.8  | ø5.0  | ø4.1  |         |
| 807B    | ø9.0  | 3.75 | 2.0  | ø6.0  | ø3.0  |         |
| 808D    | ø9.5  | 1.55 | 0.8  | ø4.95 | ø4.35 |         |
| 808A    | ø9.5  | 1.2  | 2.0  | ø6.2  | ø3.8  |         |
| 808     | ø9.6  | 0.65 | 1.55 | ø6.0  | ø3.65 |         |
| 809     | ø10.0 | 4.0  | 1.0  | ø5.0  | ø4.0  |         |
| 809A    | ø10.0 | 3.0  | 1.0  | ø5.0  | ø4.0  |         |
| 811     | ø10.8 | 3.8  | 2.0  | ø7.9  | ø5.3  |         |
| 811A    | ø10.9 | 7.25 | 1.1  | ø5.0  | ø4.0  |         |
| 813K    | ø11.0 | 3.5  | 1.5  | ø6.9  | ø4.3  |         |
| 812     | ø11.8 | 2.0  | 2.0  | ø5.9  | ø3.0  |         |
| 803K    | ø11.8 | 1.9  | 0.5  | ø6.0  | ø4.0  |         |
| 812C    | ø11.8 | 2.0  | 1.2  | ø5.9  | ø3.0  |         |
| 812L    | ø11.9 | 3.0  | 2.6  | ø7.9  | ø4.0  |         |
| 812A    | ø12.3 | 9.0  | 1.1  | ø5.3  | ø4.5  |         |
| 812D    | ø12.7 | 1.6  | 1.6  | ø7.96 | ø3.58 |         |
| 713     | ø13.0 | 5.9  | 3.0  | ø7.8  | ø4.1  | 2000    |
| 814     | ø14.0 | 18.9 | 1.3  | ø6.6  | ø5.1  | 500     |
| 817A    | ø15.0 | 13.0 | 2.0  | ø9.95 | ø8.1  |         |
| 815     | ø15.9 | 1.65 | 2.0  | ø5.9  | ø3.1  |         |
| 901     | ø19.2 | 1.6  | 3.25 | ø12.7 | ø9.5  |         |



電晶體墊片 TRANSISTOR WASHER ——— 8-65-2

- MATERIAL: PPS(UL)
- FLAME CLASS: 94V-0
- COLOR: BLACK



| PART NO | A    | B   | C   | PACKAGE |
|---------|------|-----|-----|---------|
| 603RA   | ø5.0 | 2.4 | 1.9 | 2000    |

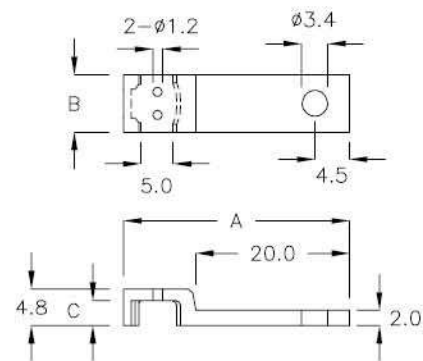


電晶體蓋 TRANSISTOR COVER

8-66-1

- MATERIAL: PBT(UL)
- FLAME CLASS: 94V-0
- COLOR: NATURAL

| PART NO | A    | B   | C   | PACKAGE |
|---------|------|-----|-----|---------|
| HU-19   | 29.5 | 7.5 | 3.3 | 1000    |

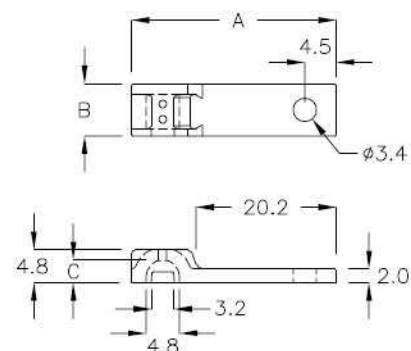


電晶體蓋 TRANSISTOR COVER

8-66-2

- MATERIAL: PBT(UL)
- FLAME CLASS: 94V-0
- COLOR: NATURAL

| PART NO | A    | B   | C   | PACKAGE |
|---------|------|-----|-----|---------|
| HU-19A  | 29.5 | 7.5 | 3.3 | 1000    |

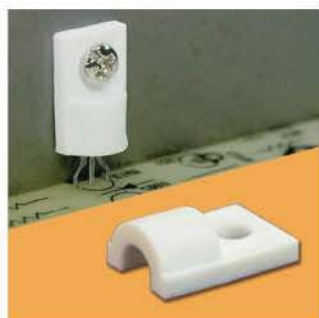
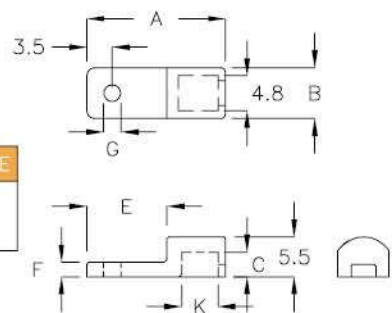


電晶體蓋 TRANSISTOR COVER

8-66-3

- MATERIAL: PBT(UL)
- FLAME CLASS: 94V-0
- COLOR: NATURAL

| PART NO | A    | B   | C   | E    | F   | G    | K   | PACKAGE |
|---------|------|-----|-----|------|-----|------|-----|---------|
| HUK-01  | 19.0 | 7.0 | 3.4 | 11.0 | 2.0 | ø2.4 | 5.0 | 1000    |
| HUK-2A  | 15.0 | 7.0 | 3.6 | 7.0  | 2.0 | ø3.2 | 5.5 |         |

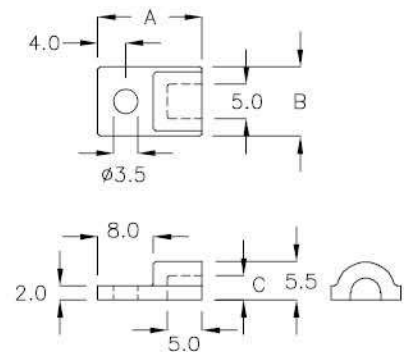


電晶體蓋 TRANSISTOR COVER

8-66-4

- MATERIAL: PBT(UL)
- FLAME CLASS: 94V-0
- COLOR: NATURAL

| PART NO | A    | B    | C   | PACKAGE |
|---------|------|------|-----|---------|
| HUK-7Y  | 15.0 | 10.0 | 3.3 | 1000    |

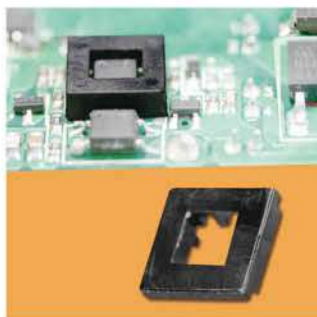
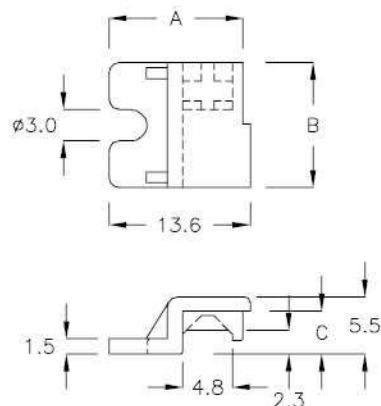




**電晶體蓋 TRANSISTOR COVER 8-67-1**

- MATERIAL: PBT(UL)
- FLAME CLASS: 94V-0
- COLOR: NATURAL

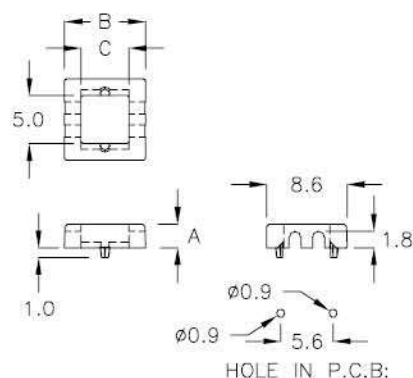
| PART NO | A    | B    | C   | PACKAGE |
|---------|------|------|-----|---------|
| HU-07T  | 12.9 | 12.0 | 4.1 | 1000    |



**光電耦合器保護蓋 OPTICAL COUPLER COVER 8-67-2**

- MATERIAL: PC(UL)
- FLAME CLASS: 94V-2
- COLOR: BLACK

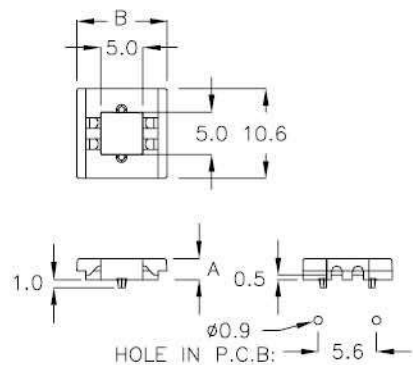
| PART NO | A   | B    | C   | PACKAGE |
|---------|-----|------|-----|---------|
| HUJ-01  | 2.5 | 8.6  | 5.0 | 2000    |
| HUJ-1FD | 3.0 | 8.6  | 5.0 |         |
| HUJ-2MK | 2.5 | 11.6 | 8.0 |         |



**光電耦合器保護蓋 OPTICAL COUPLER COVER 8-67-3**

- MATERIAL: PC(UL)
- FLAME CLASS: 94V-2
- COLOR: BLACK

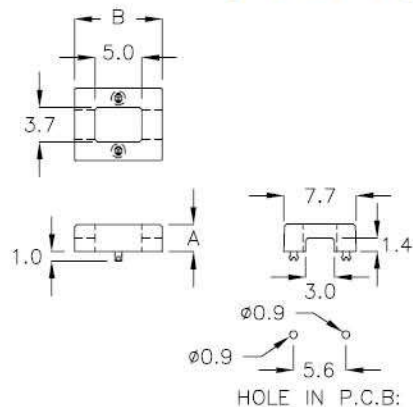
| PART NO | A   | B    | PACKAGE |
|---------|-----|------|---------|
| HUJ-3RS | 2.5 | 10.6 | 1000    |



**光電耦合器保護蓋 OPTICAL COUPLER COVER 8-67-4**

- MATERIAL: PC(UL)
- FLAME CLASS: 94V-2
- COLOR: BLACK

| PART NO | A   | B   | PACKAGE |
|---------|-----|-----|---------|
| HUJ-2A  | 2.4 | 9.4 | 2000    |
| HUJ-2XY | 2.9 | 9.4 |         |



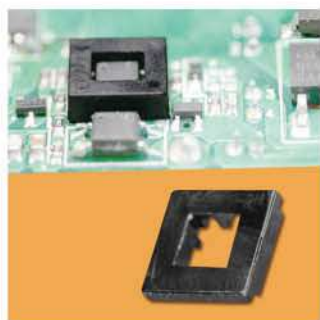
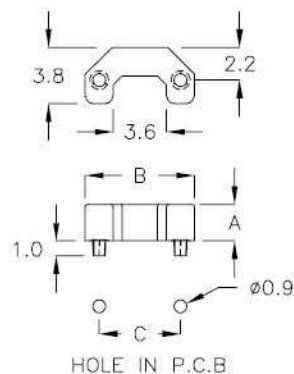


### IC 保護蓋 IC COVER

8-68-1

- MATERIAL: PC(UL)
- FLAME CLASS: 94V-2
- COLOR: BLACK

| PART NO | A   | B   | C   | PACKAGE |
|---------|-----|-----|-----|---------|
| MPT-7PN | 2.5 | 7.4 | 5.5 | 2000    |

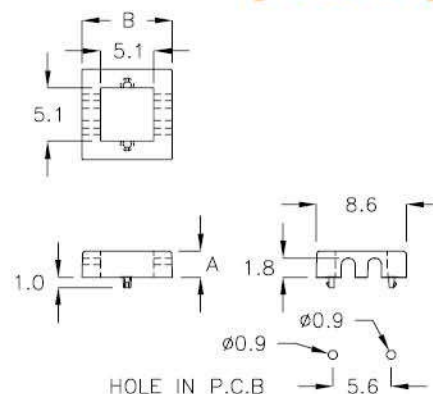


### 光電耦合器保護蓋 OPTICAL COUPLER COVER

8-68-2

- MATERIAL: PC(UL)
- FLAME CLASS: 94V-2
- COLOR: BLACK

| PART NO | A   | B   | PACKAGE |
|---------|-----|-----|---------|
| HJA-2D  | 2.5 | 8.6 | 2000    |

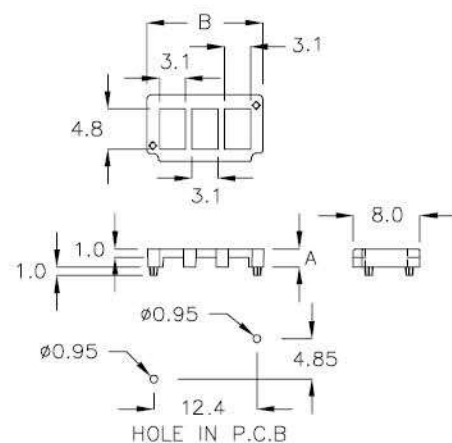


### IC 保護蓋 IC COVER

8-68-3

- MATERIAL: PC(UL)
- FLAME CLASS: 94V-2
- COLOR: BLACK

| PART NO | A   | B    | PACKAGE |
|---------|-----|------|---------|
| HUJ-4HN | 2.2 | 13.9 | 1000    |

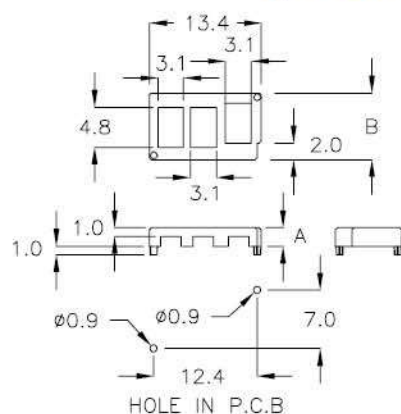


### IC 保護蓋 IC COVER

8-68-4

- MATERIAL: PC(UL)
- FLAME CLASS: 94V-2
- COLOR: BLACK

| PART NO | A   | B   | PACKAGE |
|---------|-----|-----|---------|
| HUJ-4QM | 2.2 | 8.0 | 1000    |



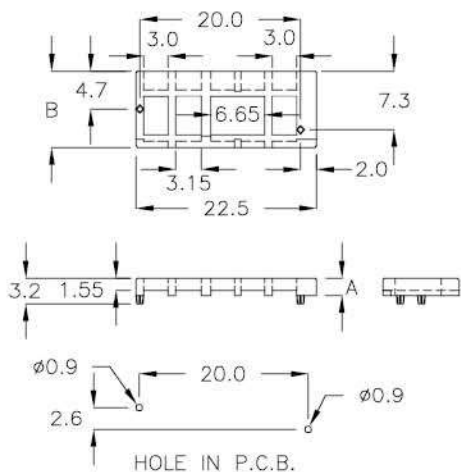


### IC 保護蓋 IC COVER

8-69-1

- MATERIAL: PC(UL)
- FLAME CLASS: 94V-2
- COLOR: BLACK

| PART NO | A   | B   | PACKAGE |
|---------|-----|-----|---------|
| HUJ-4CR | 2.2 | 9.5 | 1000    |

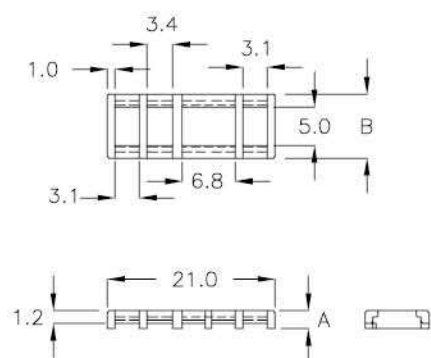


### IC 保護蓋 IC COVER

8-69-2

- MATERIAL: NYLON 66(UL)
- FLAME CLASS: 94V-2
- COLOR: BLACK

| PART NO | A   | B   | PACKAGE |
|---------|-----|-----|---------|
| HUT-2CD | 2.2 | 8.2 | 1000    |

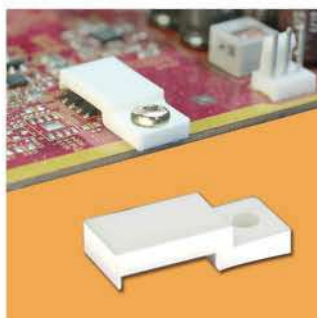
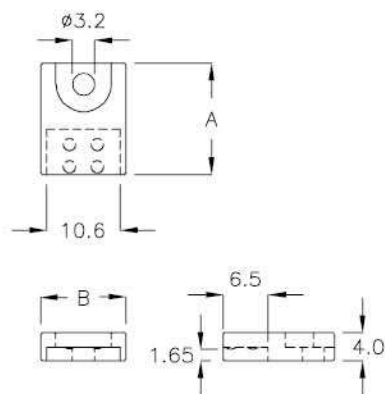


### IC 保護蓋 IC COVER

8-69-3

- MATERIAL: NYLON 66(UL)
- FLAME CLASS: 94V-2
- COLOR: NATURAL

| PART NO | A    | B    | PACKAGE |
|---------|------|------|---------|
| ICC-16  | 16.0 | 12.2 | 1000    |

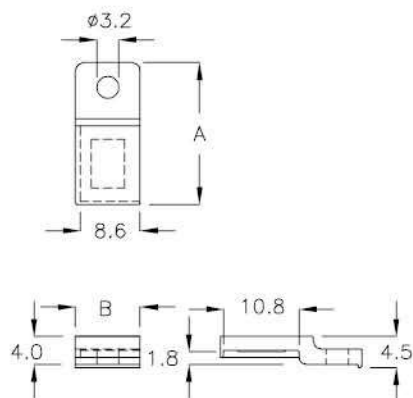


### IC 保護蓋 IC COVER

8-69-4

- MATERIAL: NYLON 66(UL)
- FLAME CLASS: 94V-2
- COLOR: NATURAL

| PART NO | A    | B   | PACKAGE |
|---------|------|-----|---------|
| ICA-20A | 20.4 | 9.3 | 500     |



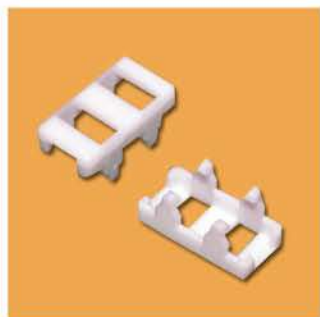
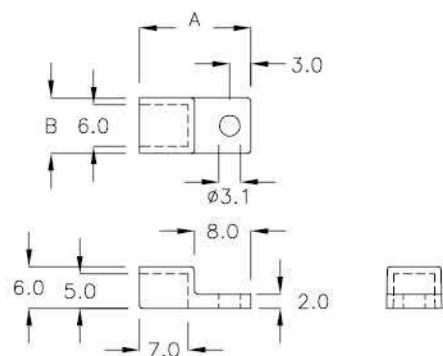


### IC 保護蓋 IC COVER

8-70-1

- MATERIAL: NYLON 66(UL)
- FLAME CLASS: 94V-2
- COLOR: BLACK

| PART NO | A    | B   | PACKAGE |
|---------|------|-----|---------|
| HUQ-16  | 16.0 | 8.0 | 500     |

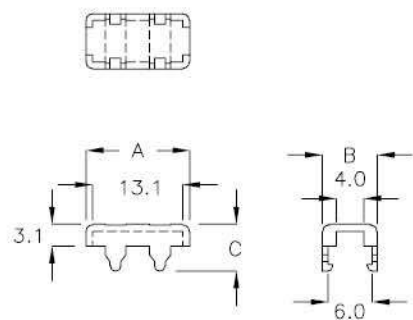


### 保護蓋 HOLE PROTECTOR

8-70-2

- MATERIAL: NYLON 66(UL)
- FLAME CLASS: 94V-0
- COLOR: NATURAL

| PART NO | A    | B   | C   | PACKAGE |
|---------|------|-----|-----|---------|
| MPR-05  | 15.1 | 8.0 | 6.8 | 1000    |

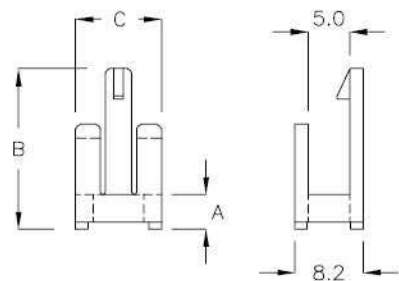


### 電晶體座 TRANSISTOR HOUSING

8-70-3

- MATERIAL: NYLON 66(UL)
- FLAME CLASS: 94V-2
- COLOR: BLACK
- FOR TO-220 TRANSISTOR

| PART NO | A   | B    | C    | PACKAGE |
|---------|-----|------|------|---------|
| TRR-4A  | 4.1 | 19.2 | 10.3 | 1000    |

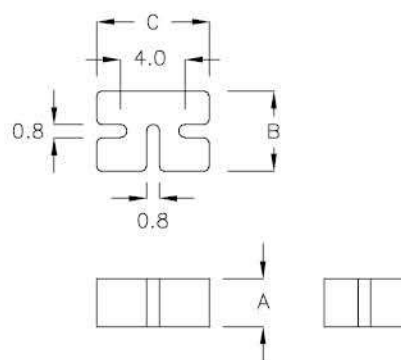


### 電晶體座 TRANSISTOR HOUSING

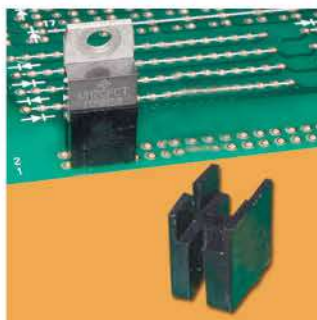
8-70-4

- MATERIAL: NYLON 66(UL)
- FLAME CLASS: 94V-2
- COLOR: BLACK

| PART NO | A   | B   | C   | PACKAGE |
|---------|-----|-----|-----|---------|
| TR-01A  | 3.0 | 5.0 | 7.0 | 2000    |



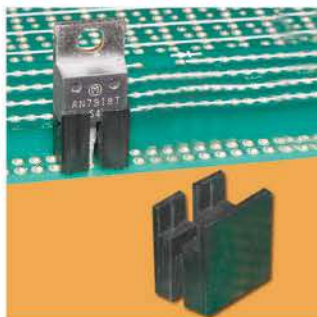
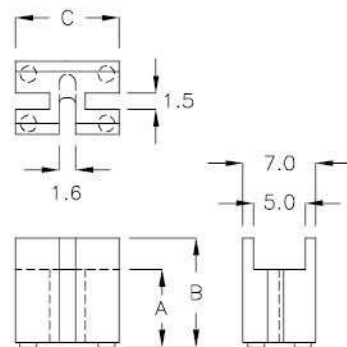




電晶體座 TRANSISTOR HOUSING 8-71-1

- MATERIAL: NYLON 66(UL)
- FLAME CLASS: 94V-2
- COLOR: BLACK
- FOR TO-220 TRANSISTOR

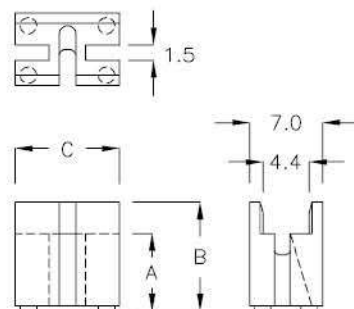
| PART NO | A   | B    | C    | PACKAGE |
|---------|-----|------|------|---------|
| TR-01   | 7.6 | 10.5 | 10.0 | 1000    |



電晶體座 TRANSISTOR HOUSING 8-71-2

- MATERIAL: NYLON 66(UL)
- FLAME CLASS: 94V-2
- COLOR: BLACK
- FOR TO-220 TRANSISTOR

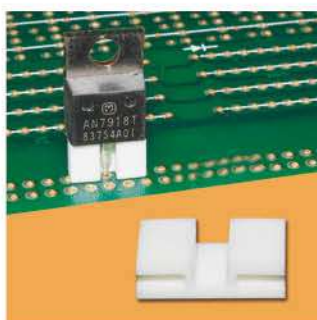
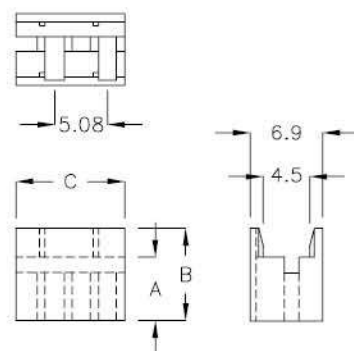
| PART NO | A   | B    | C    | PACKAGE |
|---------|-----|------|------|---------|
| TR-01C  | 7.5 | 10.5 | 10.0 | 1000    |



電晶體座 TRANSISTOR HOUSING 8-71-3

- MATERIAL: NYLON 66(UL)
- FLAME CLASS: 94V-2
- COLOR: BLACK

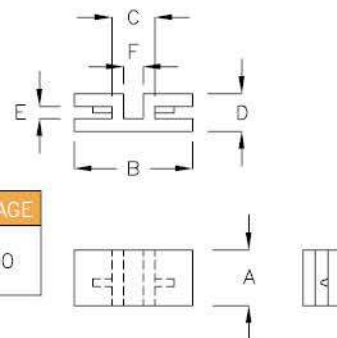
| PART NO | A   | B   | C    | PACKAGE |
|---------|-----|-----|------|---------|
| TR-01D  | 6.1 | 9.0 | 10.5 | 1000    |

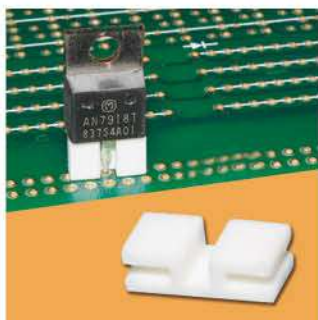


電晶體座 TRANSISTOR HOUSING 8-71-4

- MATERIAL: PBT,NYLON 66(UL)
- COLOR: NATURAL
- FOR TO-220 TRANSISTOR
- \* FOR TO-247 TRANSISTOR

| PART NO | MATERIAL | A   | B    | C   | D   | E   | F   | PACKAGE |
|---------|----------|-----|------|-----|-----|-----|-----|---------|
| TR-01H  | PBT VO   | 4.5 | 9.5  | 3.4 | 3.0 | 1.0 | 1.6 | 2000    |
| *TR-1MK | N66 V2   | 8.0 | 14.7 | 7.0 | 4.0 | 1.2 | 3.6 |         |



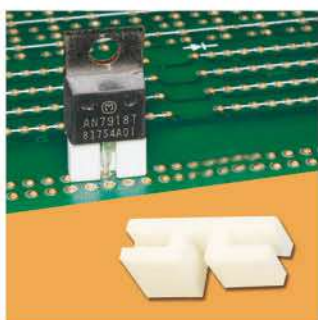
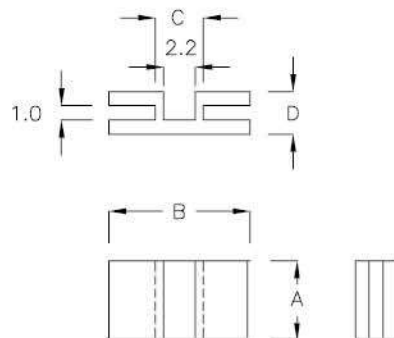


電晶體座 TRANSISTOR HOUSING

8-72-1

- MATERIAL: PBT(UL)
- FLAME CLASS: 94V-0
- COLOR: NATURAL

| PART NO | A   | B    | C   | D   | PACKAGE |
|---------|-----|------|-----|-----|---------|
| TR-01F  | 5.5 | 10.0 | 3.4 | 3.0 | 2000    |

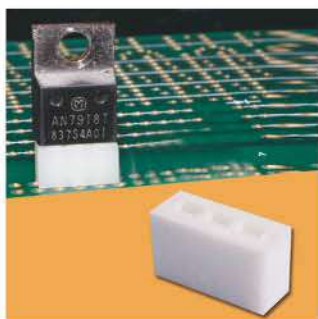
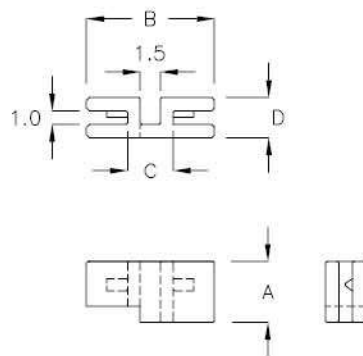


電晶體座 TRANSISTOR HOUSING

8-72-2

- MATERIAL: PBT(UL)
- FLAME CLASS: 94V-0
- COLOR: NATURAL

| PART NO | A   | B    | C   | D   | PACKAGE |
|---------|-----|------|-----|-----|---------|
| TR-1YQ  | 4.5 | 9.45 | 3.4 | 3.0 | 2000    |

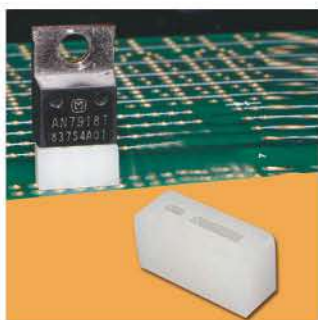
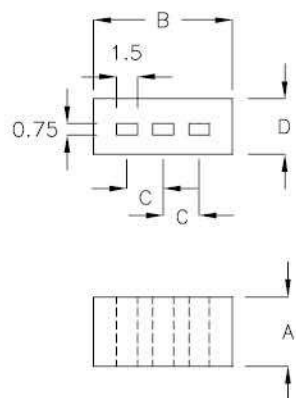


電晶體座 TRANSISTOR HOUSING

8-72-3

- MATERIAL: NYLON 66(UL)
- FLAME CLASS: 94V-2
- COLOR: NATURAL
- FOR TO-220 TRANSISTOR
- \* FOR TO-3P TRANSISTOR

| PART NO | A   | B    | C    | D   | PACKAGE |
|---------|-----|------|------|-----|---------|
| TR-02   | 5.0 | 10.0 | 2.6  | 4.0 | 2000    |
| *TR-02A | 5.0 | 15.0 | 5.75 | 4.0 |         |
| TR-02C  | 3.7 | 10.0 | 2.7  | 3.7 |         |

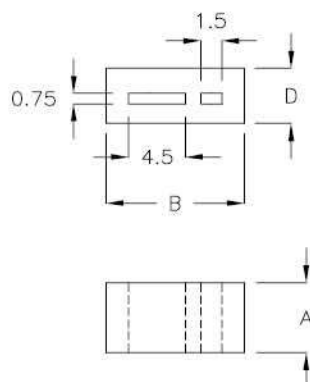


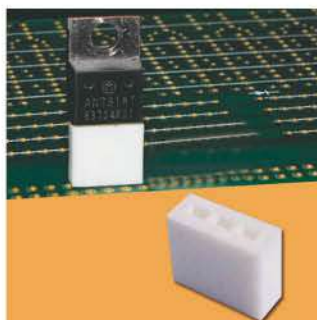
電晶體座 TRANSISTOR HOUSING

8-72-4

- MATERIAL: NYLON 66(UL)
- FLAME CLASS: 94V-2
- COLOR: NATURAL
- FOR TO-220 TRANSISTOR

| PART NO | A   | B    | D   | PACKAGE |
|---------|-----|------|-----|---------|
| TR-02D  | 5.0 | 10.0 | 4.0 | 2000    |

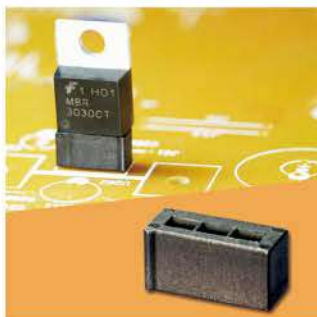
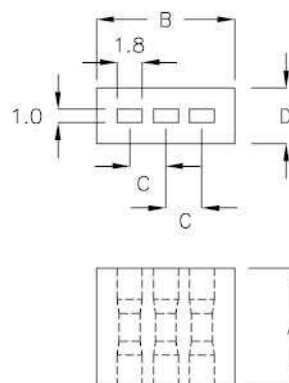




**電晶體座 TRANSISTOR HOUSING 8-73-1**

- MATERIAL: NYLON 66(UL)
- FLAME CLASS: 94V-2
- COLOR: NATURAL
- FOR TO-220 TRANSISTOR

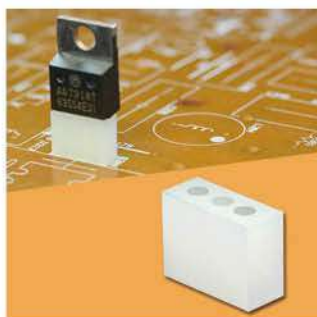
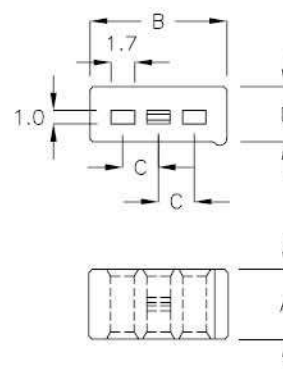
| PART NO | A   | B    | C   | D   | PACKAGE |
|---------|-----|------|-----|-----|---------|
| TR-02F  | 8.5 | 10.0 | 2.6 | 4.0 | 1000    |
| TR-02H  | 9.5 | 10.0 | 2.6 | 4.0 |         |



**電晶體座 TRANSISTOR HOUSING 8-73-2**

- MATERIAL: NYLON 66(UL)
- FLAME CLASS: 94V-0
- COLOR: BLACK
- FOR TO-220 TRANSISTOR

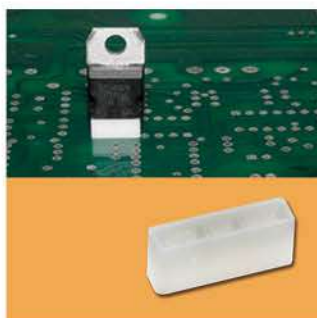
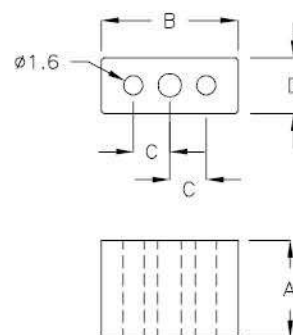
| PART NO | A   | B    | C   | D   | PACKAGE |
|---------|-----|------|-----|-----|---------|
| TR-2QM  | 5.0 | 10.0 | 2.6 | 4.0 | 2000    |



**電晶體座 TRANSISTOR HOUSING 8-73-3**

- MATERIAL: NYLON 66(UL)
- FLAME CLASS: 94V-2
- COLOR: NATURAL
- FOR TO-220 TRANSISTOR

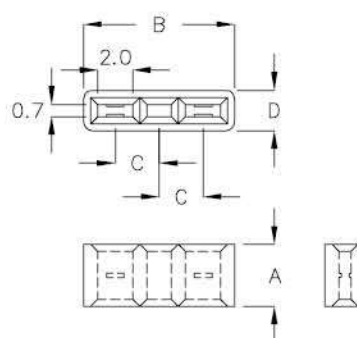
| PART NO | A   | B   | C   | D   | PACKAGE |
|---------|-----|-----|-----|-----|---------|
| TRZ-07  | 7.0 | 9.8 | 2.6 | 4.0 | 1000    |



**電晶體座 TRANSISTOR HOUSING 8-73-4**

- MATERIAL: NYLON 66(UL)
- FLAME CLASS: 94V-0
- COLOR: NATURAL
- FOR TO-220 TRANSISTOR

| PART NO | A   | B   | C   | D   | PACKAGE |
|---------|-----|-----|-----|-----|---------|
| TR-2DC  | 3.5 | 8.6 | 2.5 | 2.3 | 2000    |



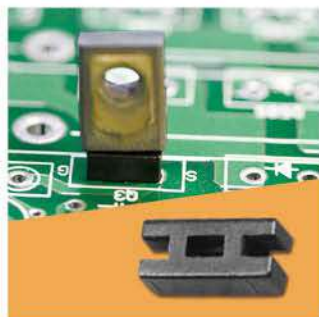
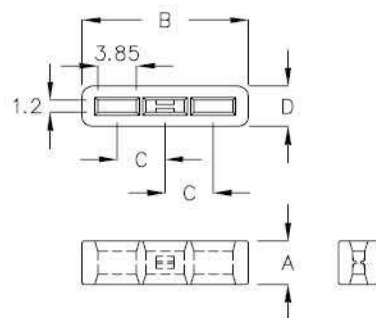


電晶體座 TRANSISTOR HOUSING

8-74-1

- MATERIAL: NYLON 66(UL)
- FLAME CLASS: 94V-2
- COLOR: NATURAL, BLACK
- FOR TO-247 TRANSISTOR

| PART NO | A   | B    | C   | D   | PACKAGE |
|---------|-----|------|-----|-----|---------|
| TR-2HK  | 4.3 | 15.0 | 4.8 | 2.8 | 2000    |
| TR-2WS  | 4.3 | 16.5 | 4.8 | 4.0 |         |

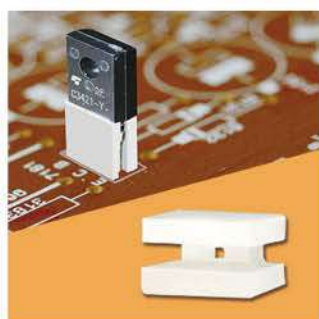
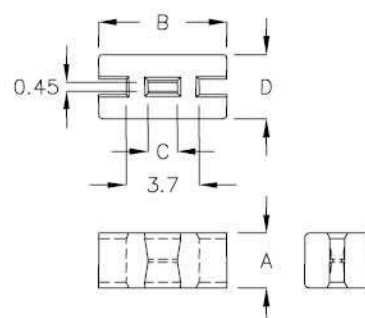


電晶體座 TRANSISTOR HOUSING

8-74-2

- MATERIAL: NYLON 66(UL)
- FLAME CLASS: 94V-2
- COLOR: BLACK

| PART NO | A   | B   | C   | D   | PACKAGE |
|---------|-----|-----|-----|-----|---------|
| TRK-2A  | 2.8 | 6.5 | 1.5 | 3.0 | 2000    |

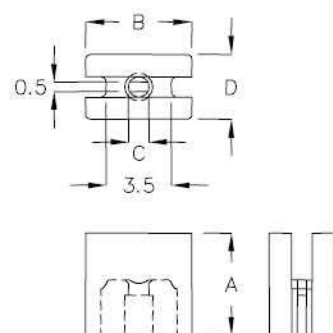


電晶體座 TRANSISTOR HOUSING

8-74-3

- MATERIAL: NYLON 66(UL)
- FLAME CLASS: 94V-2
- COLOR: NATURAL

| PART NO | A   | B   | C    | D   | PACKAGE |
|---------|-----|-----|------|-----|---------|
| TRT-5CS | 5.5 | 5.7 | ∅1.1 | 3.5 | 2000    |

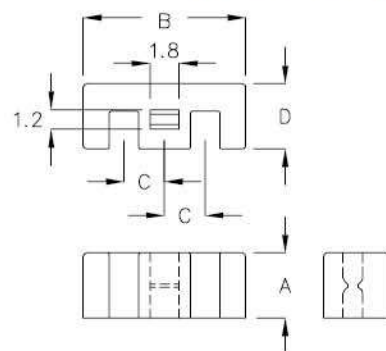


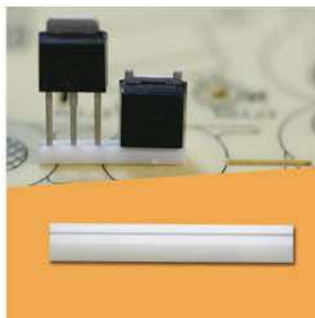
電晶體座 TRANSISTOR HOUSING

8-74-4

- MATERIAL: NYLON 66(UL)
- FLAME CLASS: 94V-0
- COLOR: NATURAL
- FOR TO-220FP TRANSISTOR

| PART NO | A   | B    | C   | D   | PACKAGE |
|---------|-----|------|-----|-----|---------|
| TRW-4YL | 4.0 | 10.0 | 2.5 | 4.0 | 1000    |

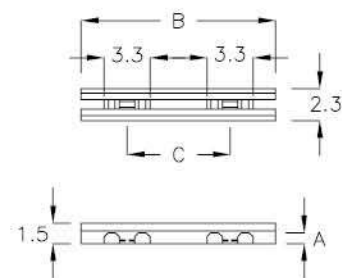




電晶體座 TRANSISTOR HOUSING 8-75-1

- MATERIAL: NYLON 66(UL)
- FLAME CLASS: 94V-0
- COLOR: NATURAL
- FOR TO-251 TRANSISTOR

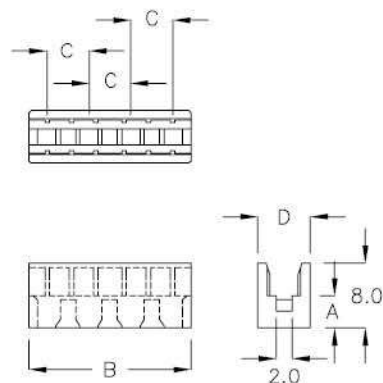
| PART NO | A   | B    | C   | PACKAGE |
|---------|-----|------|-----|---------|
| TRY-1A  | 0.8 | 14.0 | 7.4 | 1000    |



電晶體座 TRANSISTOR HOUSING 8-75-2

- MATERIAL: NYLON 66(UL)
- FLAME CLASS: 94V-2
- COLOR: NATURAL

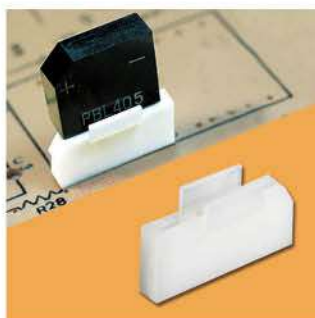
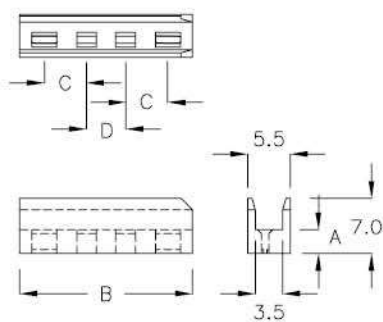
| PART NO | A   | B    | C   | D   | PACKAGE |
|---------|-----|------|-----|-----|---------|
| TR-20D  | 4.0 | 20.0 | 5.2 | 6.5 | 1000    |



電晶體座 TRANSISTOR HOUSING 8-75-3

- MATERIAL: PBT(UL)
- FLAME CLASS: 94V-0
- COLOR: BLACK

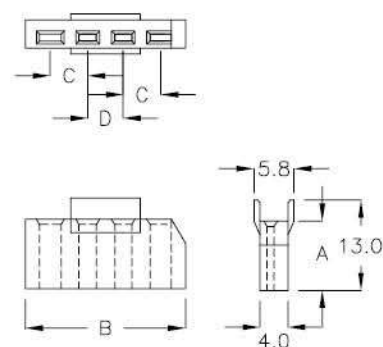
| PART NO | A   | B    | C    | D   | PACKAGE |
|---------|-----|------|------|-----|---------|
| TR-22D  | 3.0 | 22.0 | 5.35 | 5.0 | 1000    |



電晶體座 TRANSISTOR HOUSING 8-75-4

- MATERIAL: NYLON 66(UL)
- FLAME CLASS: 94V-2
- COLOR: NATURAL

| PART NO | A    | B    | C   | D   | PACKAGE |
|---------|------|------|-----|-----|---------|
| TRL-10  | 10.0 | 23.0 | 5.4 | 5.1 | 1000    |

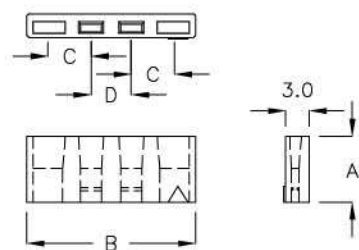




電晶體座 TRANSISTOR HOUSING 8-76-1

- MATERIAL: NYLON 66(UL)
- FLAME CLASS: 94V-0
- COLOR: NATURAL

| PART NO | A   | B    | C    | D    | PACKAGE |
|---------|-----|------|------|------|---------|
| TRN-9H  | 8.5 | 21.3 | 5.44 | 5.08 | 1000    |

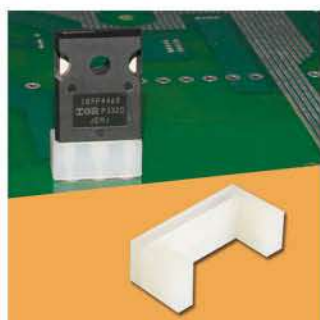
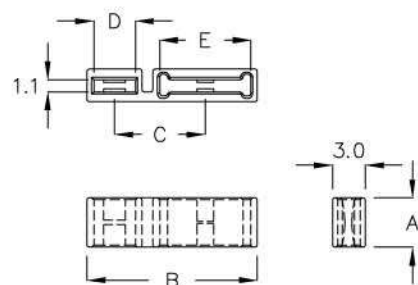


電晶體座 TRANSISTOR HOUSING 8-76-2

- MATERIAL: NYLON 66(UL)
- FLAME CLASS: 94V-0
- COLOR: NATURAL
- FOR TO-247-4L-M TRANSISTOR

NEW

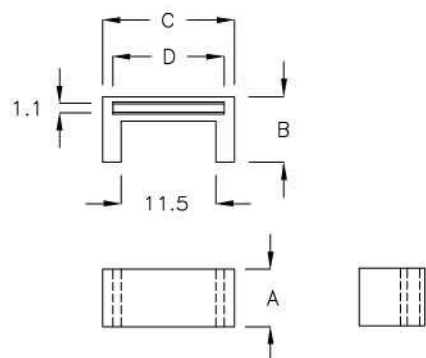
| PART NO   | A   | B    | C    | D   | E   | PACKAGE |
|-----------|-----|------|------|-----|-----|---------|
| ★ TRNC-4A | 4.5 | 15.5 | 8.25 | 3.8 | 8.3 | 1000    |



電晶體座 TRANSISTOR HOUSING 8-76-3

- MATERIAL: NYLON 66(UL)
- FLAME CLASS: 94V-2
- COLOR: NATURAL
- FOR TO-3P TRANSISTOR

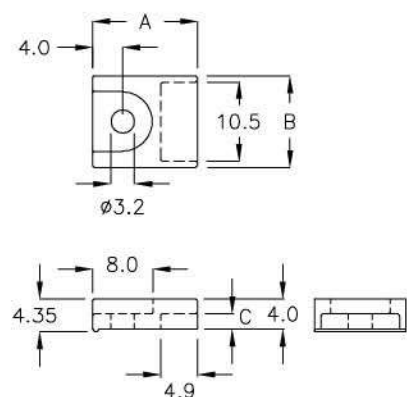
| PART NO | A   | B   | C    | D    | PACKAGE |
|---------|-----|-----|------|------|---------|
| QLL-16  | 7.0 | 8.0 | 16.0 | 13.5 | 2000    |

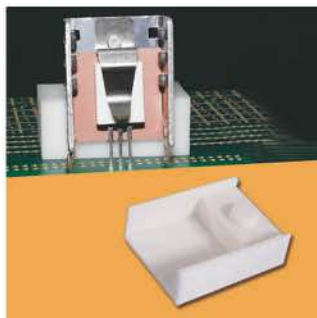


電晶體蓋 TRANSISTOR COVER 8-76-4

- MATERIAL: NYLON 66+GF30%
- FLAME CLASS: 94V-0
- COLOR: NATURAL

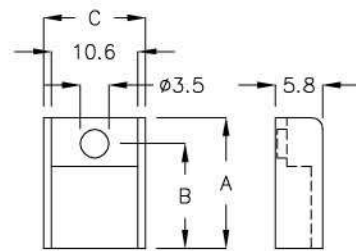
| PART NO | A    | B    | C   | PACKAGE |
|---------|------|------|-----|---------|
| HUF-14  | 14.0 | 12.2 | 2.0 | 1000    |



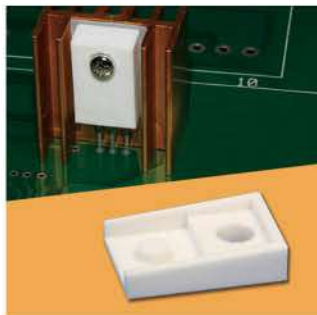


**電晶體蓋 TRANSISTOR COVER 8-77-1**

- MATERIAL: PBT(UL)
- FLAME CLASS: 94V-0
- COLOR: NATURAL
- FOR TO-220 TRANSISTOR

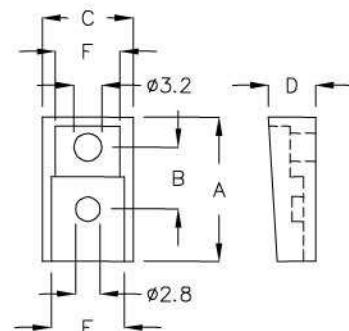


| PART NO | A    | B    | C    | PACKAGE |
|---------|------|------|------|---------|
| TR-03   | 16.0 | 12.8 | 12.5 | 500     |

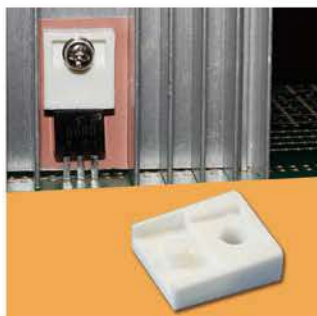


**電晶體蓋 TRANSISTOR COVER 8-77-2**

- MATERIAL: PBT(UL)
- FLAME CLASS: 94V-0
- COLOR: NATURAL

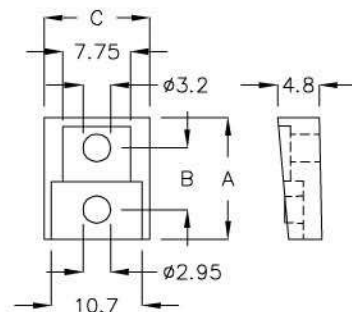


| PART NO | A    | B   | C    | D   | E   | F   | PACKAGE |
|---------|------|-----|------|-----|-----|-----|---------|
| TR-03A  | 16.6 | 7.1 | 10.4 | 5.4 | 8.5 | 7.4 | 500     |
| TR-03E  | 14.0 | 7.1 | 10.4 | 4.2 | 8.4 | 7.8 |         |

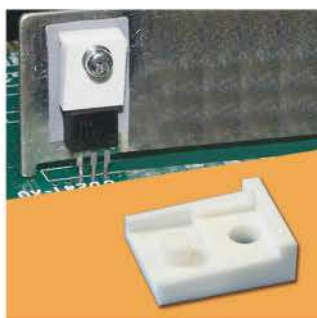


**電晶體蓋 TRANSISTOR COVER 8-77-3**

- MATERIAL: PBT(UL)
- FLAME CLASS: 94V-0
- COLOR: NATURAL

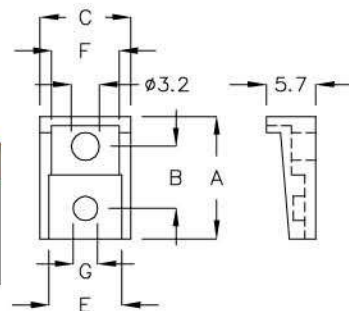


| PART NO | A    | B    | C    | PACKAGE |
|---------|------|------|------|---------|
| TR-03P  | 14.0 | 7.35 | 13.0 | 1000    |

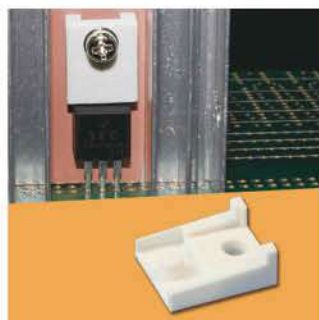


**電晶體蓋 TRANSISTOR COVER 8-77-4**

- MATERIAL: PBT(UL)
- FLAME CLASS: 94V-0
- COLOR: NATURAL



| PART NO | A    | B    | C     | E     | F   | G    | PACKAGE |
|---------|------|------|-------|-------|-----|------|---------|
| TR-03C  | 14.0 | 7.1  | 10.4  | 8.4   | 7.8 | ø2.8 | 500     |
| TR-03D  | 14.0 | 7.1  | 12.0  | 10.2  | 7.7 | ø3.4 |         |
| TR-03L  | 14.8 | 8.15 | 12.15 | 10.35 | 7.8 | ø3.1 |         |

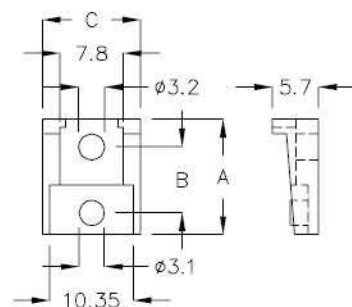


### 電晶體蓋 TRANSISTOR COVER

8-78-1

- MATERIAL: PBT(UL)
- FLAME CLASS: 94V-0
- COLOR: NATURAL
- FOR TO-220 TRANSISTOR

| PART NO | A    | B    | C     | PACKAGE |
|---------|------|------|-------|---------|
| TR-03N  | 14.2 | 8.15 | 12.15 | 500     |

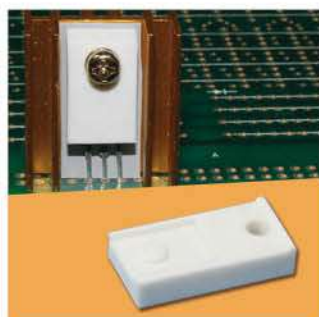
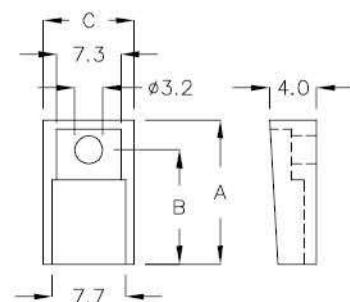


### 電晶體蓋 TRANSISTOR COVER

8-78-2

- MATERIAL: PBT(UL)
- FLAME CLASS: 94V-0
- COLOR: NATURAL

| PART NO | A    | B    | C    | PACKAGE |
|---------|------|------|------|---------|
| TR-03F  | 16.0 | 12.8 | 10.3 | 500     |

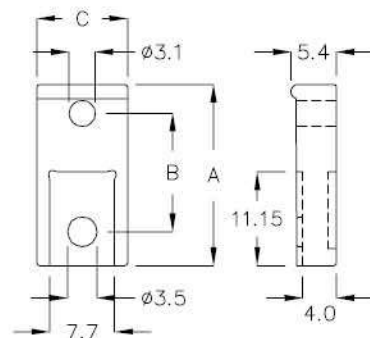


### 電晶體蓋 TRANSISTOR COVER

8-78-3

- MATERIAL: PBT(UL)
- FLAME CLASS: 94V-0
- COLOR: NATURAL

| PART NO | A     | B    | C    | PACKAGE |
|---------|-------|------|------|---------|
| TR-03K  | 21.55 | 14.1 | 10.8 | 500     |

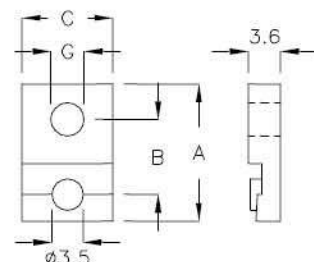


### 電晶體蓋 TRANSISTOR COVER

8-78-4

- MATERIAL: PBT(UL)
- FLAME CLASS: 94V-0
- COLOR: BLACK
- FOR TO-220 TRANSISTOR

| PART NO | A    | B    | C    | G    | PACKAGE |
|---------|------|------|------|------|---------|
| TR-04A  | 15.3 | 8.35 | 10.1 | ø3.7 | 1000    |
| TR-04H  | 13.0 | 6.0  | 10.1 | ø3.2 |         |



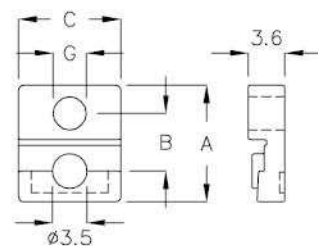




**電晶體蓋 TRANSISTOR COVER 8-79-1**

- MATERIAL: PBT(UL)
- FLAME CLASS: 94V-0
- COLOR: NATURAL
- FOR TO-220 TRANSISTOR

**NEW**

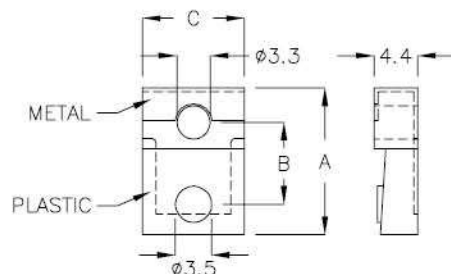


| PART NO  | A     | B    | C    | G          | PACKAGE |
|----------|-------|------|------|------------|---------|
| ★ TR-4ND | 11.45 | 5.65 | 10.1 | $\phi 3.2$ | 1000    |



**電晶體蓋 TRANSISTOR COVER 8-79-2**

- METAL MATERIAL: PHOSPHOR BRONZE
- PLASTIC MATERIAL: NYLON 66(UL)
- FLAME CLASS: 94V-2
- COLOR: BLACK
- FOR TO-220 TRANSISTOR

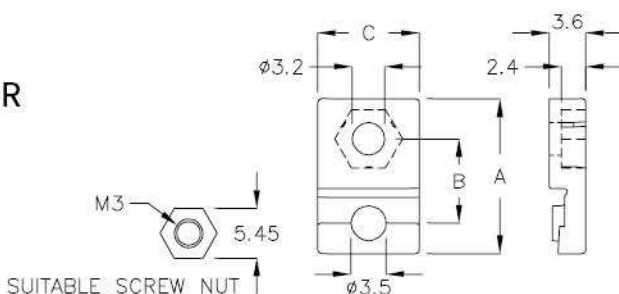


| PART NO | A    | B   | C    | PACKAGE |
|---------|------|-----|------|---------|
| TR-04   | 14.6 | 8.2 | 10.2 | 1000    |



**電晶體蓋 TRANSISTOR COVER 8-79-3**

- MATERIAL: PBT(UL)
- FLAME CLASS: 94V-0
- COLOR: NATURAL
- FOR TO-220 TRANSISTOR

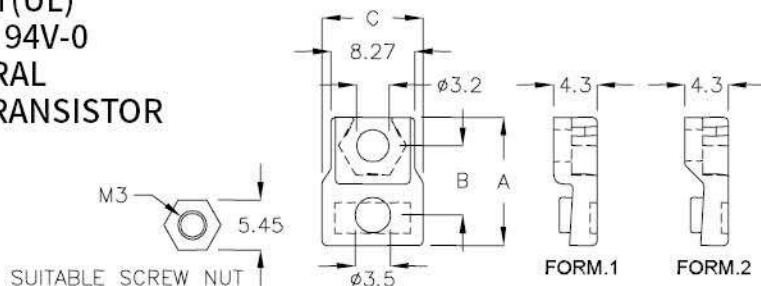


| PART NO | A    | B    | C    | PACKAGE |
|---------|------|------|------|---------|
| TR-4GS  | 15.3 | 8.35 | 10.1 | 1000    |
| TR-4YK  | 14.3 | 7.4  | 10.1 |         |

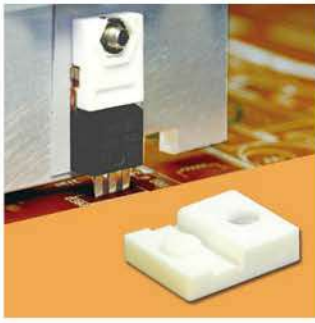


**電晶體蓋 TRANSISTOR COVER 8-79-4**

- MATERIAL: PBT(UL)
- FLAME CLASS: 94V-0
- COLOR: NATURAL
- FOR TO-220 TRANSISTOR



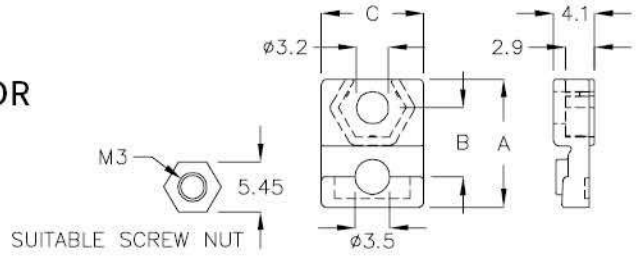
| PART NO | A     | B    | C    | FORM | PACKAGE |
|---------|-------|------|------|------|---------|
| TR-4LF  | 12.65 | 6.85 | 10.0 | 1    | 1000    |
| TR-4JW  | 12.65 | 6.85 | 10.0 | 2    |         |



**電晶體蓋 TRANSISTOR COVER**

**8-80-1**

- MATERIAL: PBT(UL)
- FLAME CLASS: 94V-0
- COLOR: NATURAL
- FOR TO-220 TRANSISTOR



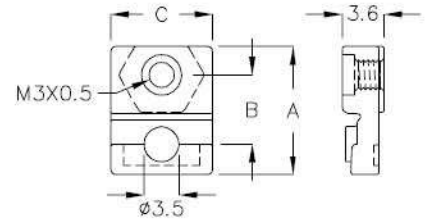
| PART NO | A     | B    | C    | PACKAGE |
|---------|-------|------|------|---------|
| TR-4RL  | 12.65 | 6.85 | 10.1 | 1000    |



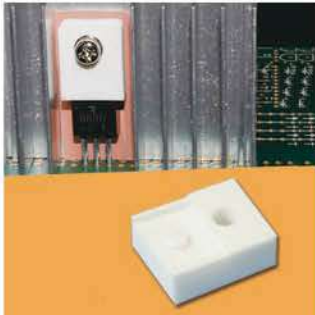
**電晶體蓋 TRANSISTOR COVER**

**8-80-2**

- MATERIAL: PBT(UL)
- FLAME CLASS: 94V-0
- COLOR: NATURAL
- FOR TO-220 TRANSISTOR



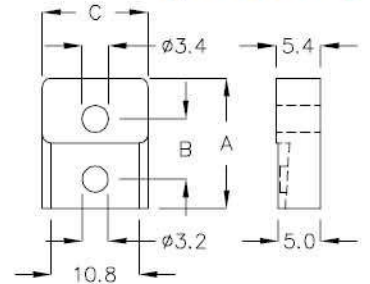
| PART NO | A     | B    | C    | PACKAGE |
|---------|-------|------|------|---------|
| TRE-4BJ | 12.65 | 6.85 | 10.1 | 200     |



**電晶體蓋 TRANSISTOR COVER**

**8-80-3**

- MATERIAL: PBT(UL)
- FLAME CLASS: 94V-0
- COLOR: NATURAL
- FOR TO-220 TRANSISTOR



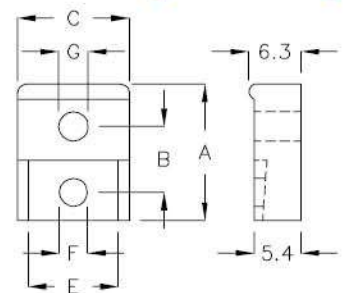
| PART NO | A    | B   | C    | PACKAGE |
|---------|------|-----|------|---------|
| TR-05   | 16.2 | 7.4 | 13.0 | 200     |



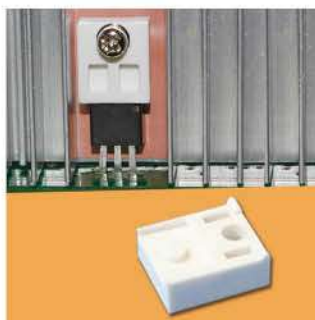
**電晶體蓋 TRANSISTOR COVER**

**8-80-4**

- MATERIAL: PBT(UL)
- FLAME CLASS: 94V-0
- COLOR: NATURAL
- FOR TO-220 TRANSISTOR



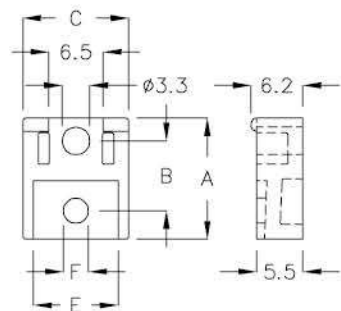
| PART NO | A    | B     | C    | E    | F   | G   | PACKAGE |
|---------|------|-------|------|------|-----|-----|---------|
| TR-06   | 16.2 | 7.65  | 13.1 | 10.3 | 3.1 | 3.4 | 200     |
| TR-06A  | 16.1 | 7.75  | 13.2 | 10.6 | 3.3 | 3.5 |         |
| TR-08   | 17.6 | 9.15  | 13.0 | 10.5 | 3.1 | 3.4 |         |
| TR-08D  | 19.2 | 10.75 | 13.0 | 10.5 | 3.0 | 3.4 |         |



**電晶體蓋 TRANSISTOR COVER 8-81-1**

- MATERIAL: PBT(UL)
- FLAME CLASS: 94V-0
- COLOR: NATURAL
- FOR TO-220 TRANSISTOR

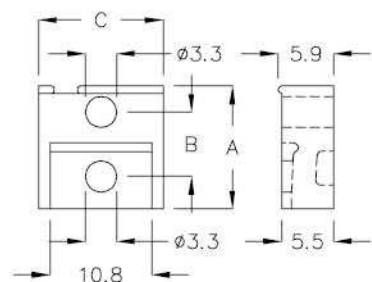
| PART NO | A    | B   | C    | E    | F    | PACKAGE |
|---------|------|-----|------|------|------|---------|
| TR-06H  | 14.3 | 8.3 | 12.6 | 10.3 | ∅3.0 | 200     |
| TR-06J  | 14.3 | 8.3 | 13.2 | 10.5 | ∅3.2 |         |



**電晶體蓋 TRANSISTOR COVER 8-81-2**

- MATERIAL: PBT(UL)
- FLAME CLASS: 94V-0
- COLOR: NATURAL
- FOR TO-220 TRANSISTOR

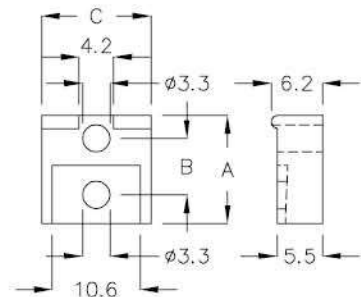
| PART NO | A    | B   | C    | PACKAGE |
|---------|------|-----|------|---------|
| TR-06K  | 13.0 | 6.8 | 13.2 | 200     |



**電晶體蓋 TRANSISTOR COVER 8-81-3**

- MATERIAL: PBT(UL)
- FLAME CLASS: 94V-0
- COLOR: NATURAL
- FOR TO-220 TRANSISTOR

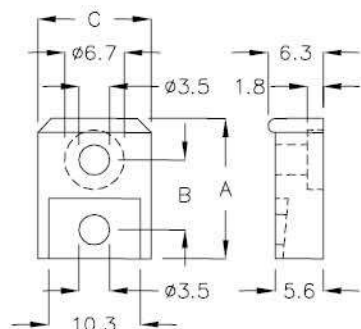
| PART NO | A    | B   | C    | PACKAGE |
|---------|------|-----|------|---------|
| TR-06D  | 13.0 | 6.8 | 13.2 | 200     |



**電晶體蓋 TRANSISTOR COVER 8-81-4**

- MATERIAL: PBT(UL)
- FLAME CLASS: 94V-0
- COLOR: NATURAL
- FOR TO-220 TRANSISTOR

| PART NO | A    | B   | C    | PACKAGE |
|---------|------|-----|------|---------|
| TR-08C  | 16.0 | 8.0 | 13.0 | 200     |

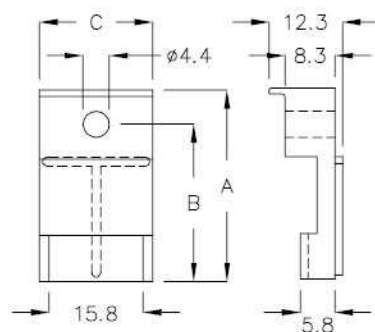






**電晶體蓋 TRANSISTOR COVER 8-83-1**

- MATERIAL: PBT(UL)
- FLAME CLASS: 94V-0
- COLOR: NATURAL
- FOR TO-3P TRANSISTOR

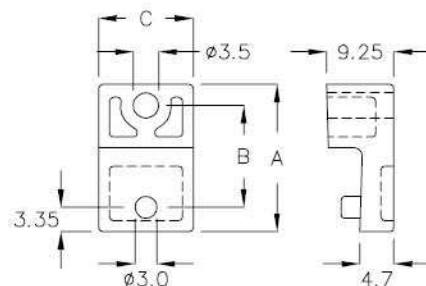


| PART NO | A    | B    | C    | PACKAGE |
|---------|------|------|------|---------|
| TR-11   | 32.0 | 26.3 | 19.0 | 200     |



**電晶體蓋 TRANSISTOR COVER 8-83-2**

- MATERIAL: PBT(UL)
- FLAME CLASS: 94V-0
- COLOR: NATURAL
- FOR TO-247 TRANSISTOR

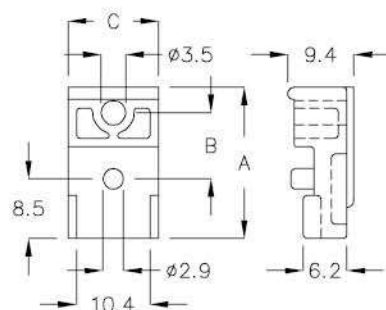


| PART NO | A     | B    | C    | PACKAGE |
|---------|-------|------|------|---------|
| TR-20MK | 20.25 | 14.0 | 13.0 | 500     |



**電晶體蓋 TRANSISTOR COVER 8-83-3**

- MATERIAL: PBT(UL)
- FLAME CLASS: 94V-0
- COLOR: NATURAL
- FOR TO-220 TRANSISTOR

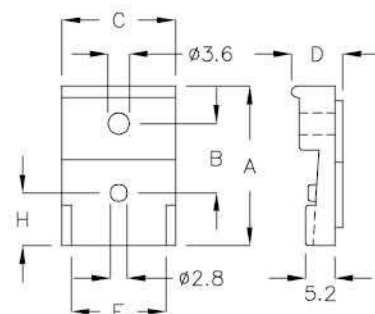


| PART NO | A    | B   | C    | PACKAGE |
|---------|------|-----|------|---------|
| TR-21KP | 21.5 | 9.3 | 12.9 | 200     |



**電晶體蓋 TRANSISTOR COVER 8-83-4**

- MATERIAL: PBT(UL)
- FLAME CLASS: 94V-0
- COLOR: NATURAL
- FOR TO-3P TRANSISTOR



| PART NO | A    | B    | C    | D   | E    | H    | PACKAGE |
|---------|------|------|------|-----|------|------|---------|
| TR-25   | 27.0 | 12.3 | 18.5 | 8.4 | 15.5 | 8.6  | 200     |
| TR-30   | 32.3 | 9.7  | 21.3 | 9.5 | 18.3 | 15.6 |         |
| TR-30A  | 33.2 | 12.3 | 21.3 | 9.5 | 18.3 | 14.0 |         |

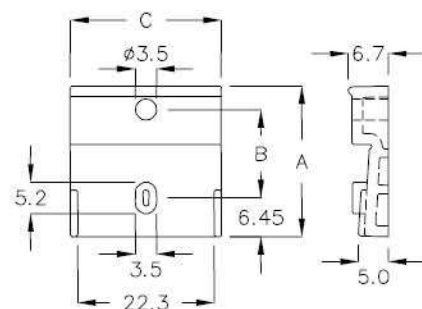


電晶體蓋 TRANSISTOR COVER

8-84-1

- MATERIAL: PBT(UL)
- FLAME CLASS: 94V-0
- COLOR: NATURAL

| PART NO | A    | B     | C    | PACKAGE |
|---------|------|-------|------|---------|
| TR-31   | 25.0 | 14.65 | 25.1 | 200     |

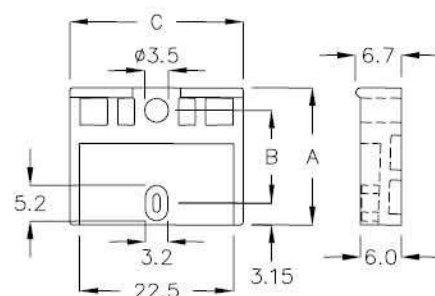


電晶體蓋 TRANSISTOR COVER

8-84-2

- MATERIAL: PBT(UL)
- FLAME CLASS: 94V-0
- COLOR: NATURAL

| PART NO | A    | B     | C    | PACKAGE |
|---------|------|-------|------|---------|
| TR-31A  | 20.0 | 13.55 | 25.4 | 200     |

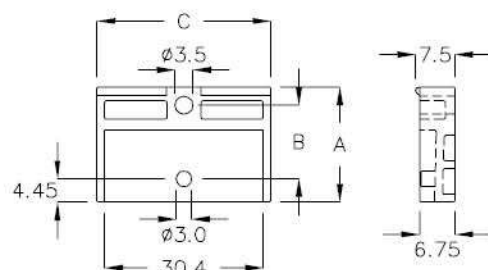


電晶體蓋 TRANSISTOR COVER

8-84-3

- MATERIAL: PBT(UL)
- FLAME CLASS: 94V-0
- COLOR: NATURAL

| PART NO | A    | B    | C    | PACKAGE |
|---------|------|------|------|---------|
| TR-33MQ | 22.0 | 14.1 | 33.3 | 200     |

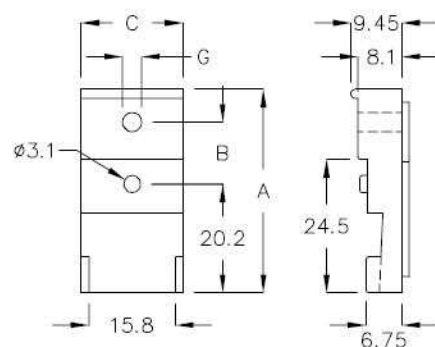


電晶體蓋 TRANSISTOR COVER

8-84-4

- MATERIAL: PBT(UL)
- FLAME CLASS: 94V-0
- COLOR: NATURAL

| PART NO | A    | B    | C    | G          | PACKAGE |
|---------|------|------|------|------------|---------|
| TR-35   | 37.7 | 11.4 | 18.8 | $\phi 3.6$ | 200     |
| TR-35A  | 37.7 | 11.4 | 18.8 | $\phi 4.1$ |         |



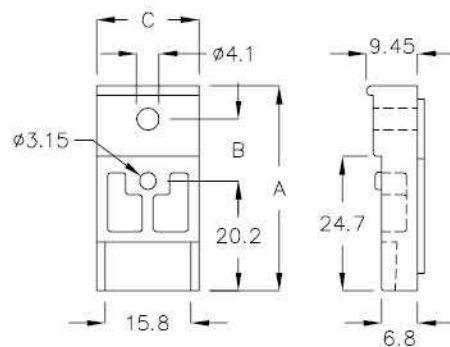


**電晶體蓋 TRANSISTOR COVER**

**8-85-1**

- MATERIAL: PBT(UL)
- FLAME CLASS: 94V-0
- COLOR: NATURAL

| PART NO | A    | B    | C    | PACKAGE |
|---------|------|------|------|---------|
| TR-35C  | 37.7 | 11.4 | 18.8 | 200     |

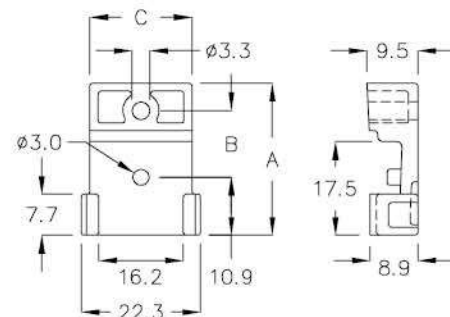


**電晶體蓋 TRANSISTOR COVER**

**8-85-2**

- MATERIAL: PBT(UL)
- FLAME CLASS: 94V-0
- COLOR: NATURAL

| PART NO | A    | B    | C    | PACKAGE |
|---------|------|------|------|---------|
| TRX-28K | 28.5 | 12.4 | 19.1 | 100     |

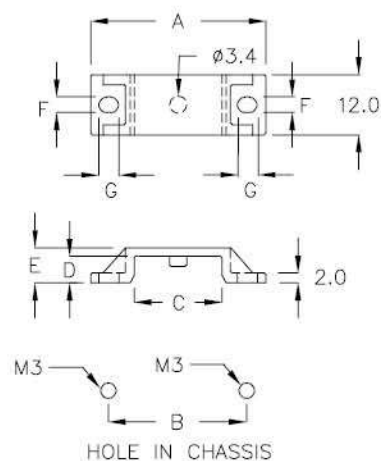


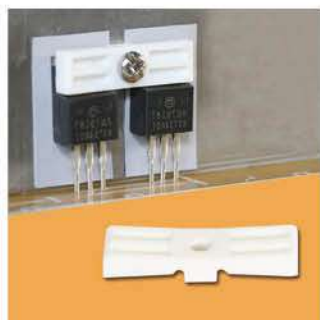
**電晶體蓋 TRANSISTOR COVER**

**8-85-3**

- MATERIAL: PBT(UL)
- FLAME CLASS: 94V-0
- COLOR: NATURAL

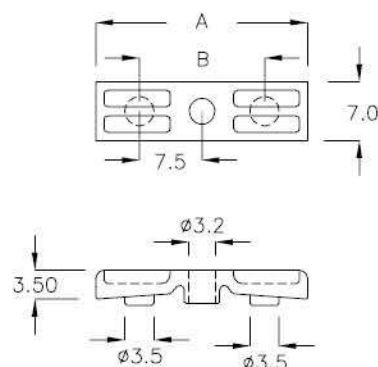
| PART NO | A    | B     | C    | D   | E   | F   | G   | PACKAGE |
|---------|------|-------|------|-----|-----|-----|-----|---------|
| TRM-01  | 32.0 | 25.5  | 16.0 | 4.7 | 6.2 | 3.2 | 3.2 | 500     |
| TRM-2A  | 35.0 | 27.65 | 17.5 | 5.3 | 7.0 | 3.2 | 4.0 |         |



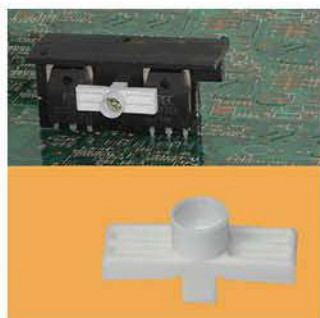


電晶體座 TRANSISTOR HOUSING 8-86-1

- MATERIAL: PBT(UL)
- FLAME CLASS: 94V-0
- COLOR: NATURAL
- FOR TO-220 TRANSISTOR

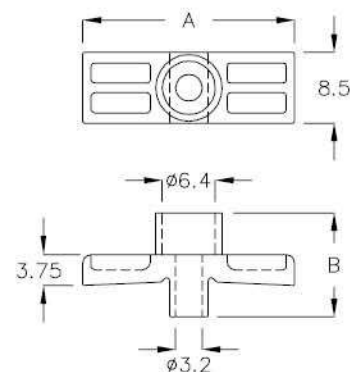


| PART NO | A    | B    | PACKAGE |
|---------|------|------|---------|
| TRJ-25F | 25.4 | 15.0 | 500     |



電晶體座 TRANSISTOR HOUSING 8-86-2

- MATERIAL: PBT(UL)
- FLAME CLASS: 94V-0
- COLOR: NATURAL
- FOR TO-247 TRANSISTOR

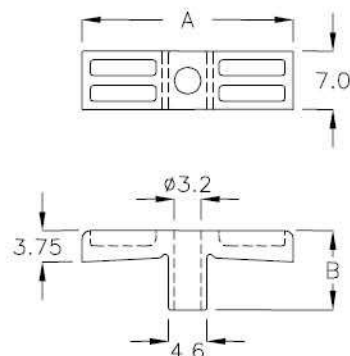


| PART NO     | A    | B     | PACKAGE |
|-------------|------|-------|---------|
| ★ TRJP-25BC | 25.4 | 12.5  | 500     |
| ★ TRJP-36AK | 36.3 | 15.15 |         |

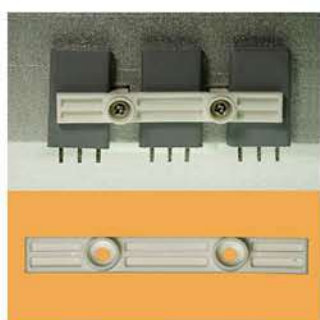


電晶體座 TRANSISTOR HOUSING 8-86-3

- MATERIAL: PBT(UL)
- FLAME CLASS: 94V-0
- COLOR: NATURAL
- FOR TO-247-3 TRANSISTOR

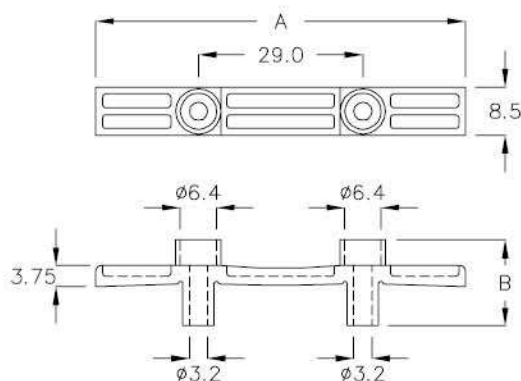


| PART NO  | A    | B   | PACKAGE |
|----------|------|-----|---------|
| TRJQ-25A | 25.4 | 9.5 | 500     |



電晶體座 TRANSISTOR HOUSING 8-86-4

- MATERIAL: PBT(UL)
- FLAME CLASS: 94V-0
- COLOR: NATURAL
- FOR TO-247 TRANSISTOR



| PART NO    | A    | B     | PACKAGE |
|------------|------|-------|---------|
| ★ TRJW-65C | 65.3 | 15.15 | 200     |



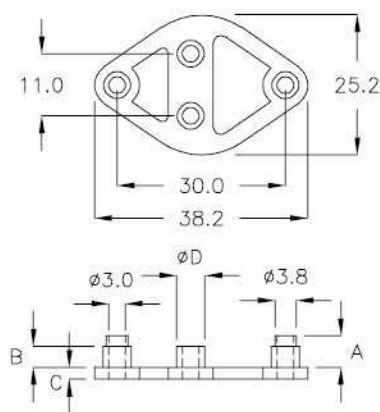




**電晶體座 TRANSISTOR HOUSING 8-87-1**

- MATERIAL: NYLON 66(UL)
- FLAME CLASS: 94V-2
- COLOR: NATURAL

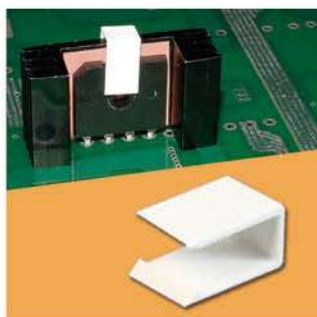
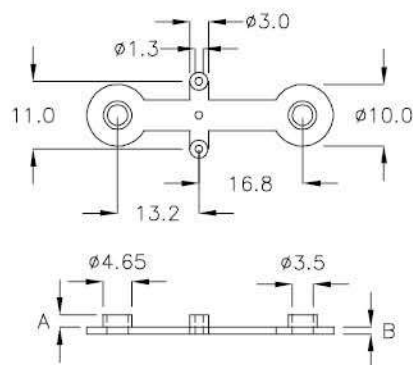
| PART NO | A   | B   | C   | D   | PACKAGE |
|---------|-----|-----|-----|-----|---------|
| TR-20   | 5.6 | 3.8 | 2.1 | 5.0 | 200     |
| TR-20A  | 8.2 | 5.9 | 2.0 | 6.0 |         |



**電晶體座 TRANSISTOR HOUSING 8-87-2**

- MATERIAL: NYLON 66(UL)
- FLAME CLASS: 94V-0
- COLOR: NATURAL

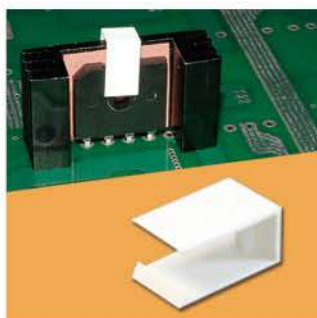
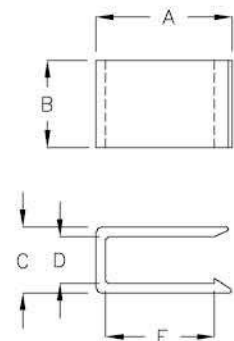
| PART NO | A   | B   | PACKAGE |
|---------|-----|-----|---------|
| TR-20B  | 2.0 | 1.1 | 500     |



**電晶體固定扣 TRANSISTOR CLAMP 8-87-3**

- MATERIAL: PBT(UL)
- FLAME CLASS: 94V-0
- COLOR: NATURAL

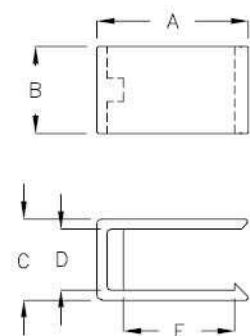
| PART NO | A     | B   | C   | D   | E    | PACKAGE |
|---------|-------|-----|-----|-----|------|---------|
| TRQ-4H  | 13.75 | 6.0 | 6.3 | 4.5 | 11.5 | 1000    |
| TRQ-5CN | 12.6  | 8.0 | 7.5 | 5.7 | 10.0 |         |
| TRQ-5ZL | 17.25 | 8.0 | 6.8 | 5.0 | 14.7 |         |
| TRQ-10  | 12.5  | 8.0 | 7.0 | 5.2 | 10.0 |         |
| TRQ-10A | 12.5  | 8.0 | 8.0 | 6.2 | 10.0 |         |
| TRQ-10F | 12.5  | 8.0 | 7.3 | 5.5 | 10.0 |         |
| TRQ-10W | 12.5  | 8.0 | 6.1 | 4.3 | 10.0 |         |

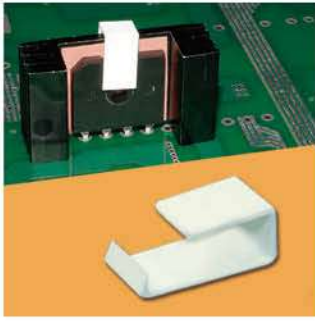


**電晶體固定扣 TRANSISTOR CLAMP 8-87-4**

- MATERIAL: PBT(UL)
- FLAME CLASS: 94V-0
- COLOR: NATURAL

| PART NO | A    | B   | C   | D   | E    | PACKAGE |
|---------|------|-----|-----|-----|------|---------|
| TRQ-5K  | 13.6 | 7.8 | 7.3 | 5.5 | 10.0 | 1000    |
| TRQ-5P  | 12.6 | 7.8 | 7.3 | 5.5 | 9.0  |         |
| TRQ-7A  | 13.6 | 8.0 | 8.8 | 7.0 | 10.0 |         |



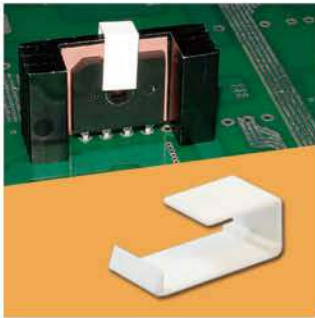
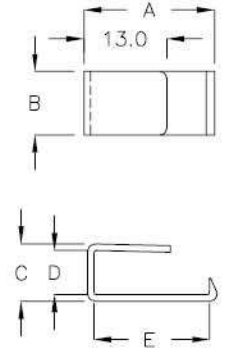


電晶體固定扣 TRANSISTOR CLAMP

8-88-1

- MATERIAL: PBT(UL)
- FLAME CLASS: 94V-0
- COLOR: NATURAL

| PART NO | A    | B    | C   | D   | E    | PACKAGE |
|---------|------|------|-----|-----|------|---------|
| TRQ-7DM | 20.4 | 10.0 | 9.0 | 7.0 | 18.1 | 1000    |

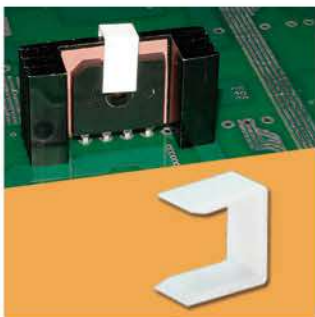
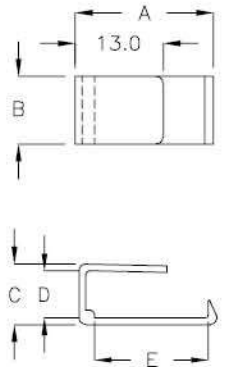


電晶體固定扣 TRANSISTOR CLAMP

8-88-2

- MATERIAL: PBT(UL)
- FLAME CLASS: 94V-0
- COLOR: NATURAL

| PART NO | A    | B    | C   | D   | E    | PACKAGE |
|---------|------|------|-----|-----|------|---------|
| TRQ-7F  | 21.9 | 10.0 | 9.0 | 7.0 | 18.2 | 1000    |

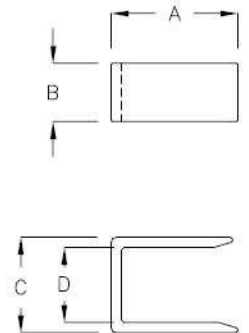


電晶體固定扣 TRANSISTOR CLAMP

8-88-3

- MATERIAL: PBT(UL)
- FLAME CLASS: 94V-0
- COLOR: NATURAL

| PART NO | A   | B   | C   | D   | PACKAGE |
|---------|-----|-----|-----|-----|---------|
| TRQ-5JX | 6.8 | 4.5 | 6.6 | 5.0 | 1000    |
| TRQ-6MQ | 6.8 | 4.5 | 7.9 | 6.3 |         |
| TRQ-7HL | 6.8 | 4.5 | 8.6 | 7.0 |         |
| TRQ-7SK | 8.2 | 4.5 | 8.6 | 7.0 |         |



熱收縮套管 HEAT SHRINKING TUBE

8-88-4

- SIZE:  $\phi 1.2 \sim \phi 50.8$
- COLOR: BLACK
- LENGTH IS ACCORDING TO CUSTOMER'S DEMAND

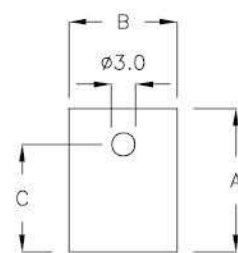
適用線徑  
 $\phi 1.2 \sim \phi 50.8$





**矽膠片 SILICONE RUBBER** ————— | 8-89-1 |

- MATERIAL: SILICONE (UL)
- COLOR: GRAY
- FLAME CLASS: 94V-0
- THICKNESS: 0.3~0.8mm
- LENGTH IS ACCORDING TO CUSTOMER'S DEMAND

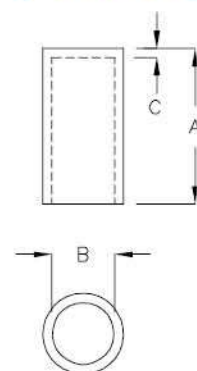


| PART NO  | A    | B    | C    | PACKAGE |
|----------|------|------|------|---------|
| TO-3P3A  | 25.0 | 20.0 | 16.5 | 1000    |
| TO-2203A | 18.0 | 13.0 | 13.5 |         |



**矽膠套管 SILICONE RUBBER TUBE** ————— | 8-89-2 |

- MATERIAL: SILICONE(UL)
- FLAME CLASS: 94V-0
- COLOR: GRAY

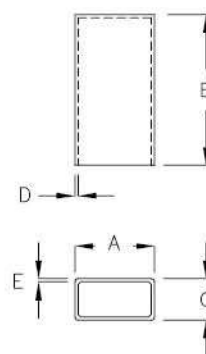


| PART NO  | A    | B           | C    | PACKAGE |
|----------|------|-------------|------|---------|
| CST-1315 | 15.0 | $\phi 13.2$ | 0.45 | 1000    |
| CST-1925 | 25.0 | $\phi 18.7$ | 0.45 | 500     |



**矽膠套管 SILICONE RUBBER TUBE** ————— | 8-89-3 |

- MATERIAL: SILICONE(UL)
- COLOR: GRAY
- FLAME CLASS: 94V-0
- ACCORDING TO CUSTOMER'S DEMAND

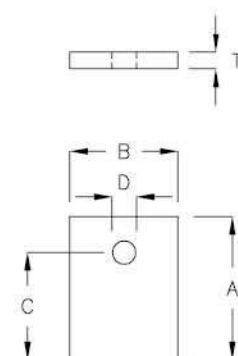


| PART NO    | A    | B    | C   | D    | E    | PACKAGE |
|------------|------|------|-----|------|------|---------|
| TO-220ST   | 11.4 | 21.5 | 5.8 | 0.45 | 0.45 | 1000    |
| TO-220ST-B | 11.4 | 16.0 | 5.8 | 0.45 | 0.45 |         |
| TO-3PST    | 17.5 | 28.5 | 5.9 | 0.45 | 0.45 |         |
| TO-4PST    | 23.5 | 22.0 | 5.0 | 0.4  | 0.4  |         |



**陶瓷片 CERAMICS** ————— | 8-89-4 |

- MATERIAL: CERAMICS
- COLOR: NATURAL



| PART NO | A    | B    | C    | D          | T   | PACKAGE |
|---------|------|------|------|------------|-----|---------|
| TQA-01  | 19.2 | 13.8 | 14.6 | $\phi 3.7$ | 2.0 | 1000    |
| TQA-02  | 30.0 | 19.0 | 22.0 | $\phi 4.0$ | 2.5 | 500     |
| TQA-05  | 21.7 | 14.9 | 15.6 | $\phi 3.6$ | 1.5 | 1000    |
| TQA-07  | 14.2 | 10.3 | 9.4  | $\phi 3.8$ | 3.0 |         |



09



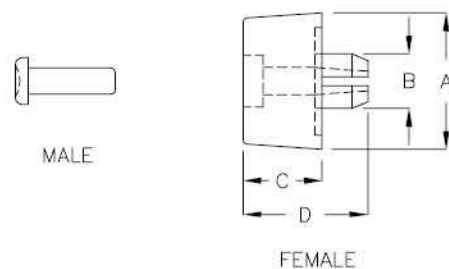
腳墊,燙金腳墊,墊座  
PLASTIC RUBBER FOOT



## 腳墊 PLASTIC FOOT

- MALE MATERIAL: PP
- FEMALE MATERIAL: EVA
- COLOR: BLACK
- INCLUDE PIN
- \* 附 PIN

9-2-1



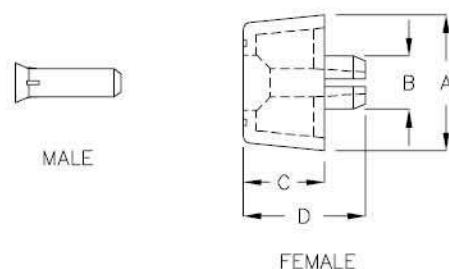
| PART NO | A     | B<br>HOLE IN<br>CHASSIS | C    | D    | CHASSIS<br>THICKNESS | PACKAGE |
|---------|-------|-------------------------|------|------|----------------------|---------|
| GL-13   | ∅13.1 | ∅5.0                    | 4.6  | 9.0  | 1.0~2.0              | 500     |
| GL-16   | ∅15.8 | ∅5.0                    | 4.5  | 8.8  | 1.0~2.0              |         |
| GL-18   | ∅19.9 | ∅8.0                    | 18.0 | 23.5 | 0.8~1.0              |         |
| GL-18S  | ∅20.0 | ∅8.0                    | 18.0 | 21.9 | 0.8~1.0              |         |
| GL-19S  | ∅19.4 | ∅8.0                    | 4.0  | 7.0  | 1.0~2.0              |         |
| GL-19   | ∅19.5 | ∅8.0                    | 5.0  | 10.4 | 1.0~2.5              |         |
| GL-19M  | ∅19.8 | ∅8.0                    | 7.0  | 11.0 | 1.0~2.0              |         |
| GL-19H  | ∅20.3 | ∅8.0                    | 10.2 | 15.7 | 1.0~2.5              |         |
| GL-20H  | ∅20.0 | ∅8.0                    | 20.3 | 25.9 | 1.0~3.5              | 200     |
| GL-24   | ∅24.0 | ∅8.0                    | 5.0  | 10.4 | 1.0~2.5              | 500     |
| GL-24L  | ∅24.0 | ∅8.0                    | 5.0  | 10.8 | 1.0~2.7              |         |
| GL-24H  | ∅24.0 | ∅8.0                    | 10.5 | 15.8 | 1.0~2.5              |         |
| GL-27C  | ∅27.0 | ∅10.0                   | 7.0  | 12.0 | 0.8~1.2              | 200     |
| GL-29   | ∅28.6 | ∅10.0                   | 8.0  | 13.8 | 1.0~3.5              | 500     |
| GL-30   | ∅29.5 | ∅10.0                   | 15.0 | 23.3 | 0.8~2.5              | 200     |
| GL-30PR | ∅30.0 | ∅8.0                    | 3.5  | 7.5  | 0.8~1.0              | 500     |
| GL-32   | ∅31.5 | ∅10.0                   | 7.8  | 13.6 | 1.0~3.5              |         |
| GL-32S  | ∅32.0 | ∅10.0                   | 7.8  | 11.3 | 0.8~1.2              | 200     |



## 腳墊 PLASTIC FOOT

- MALE MATERIAL: PP
- FEMALE MATERIAL: EVA
- COLOR: BLACK
- INCLUDE PIN
- \* 附 PIN

9-2-2



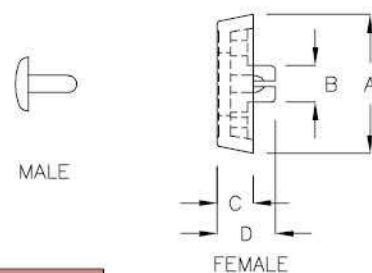
| PART NO | A     | B<br>HOLE IN<br>CHASSIS | C    | D    | CHASSIS<br>THICKNESS | PACKAGE |
|---------|-------|-------------------------|------|------|----------------------|---------|
| GL-20K  | ∅26.7 | ∅7.8                    | 16.0 | 21.0 | 0.8~1.4              | 200     |
| GL-20L  | ∅20.0 | ∅8.0                    | 12.0 | 18.0 | 0.8~1.8              |         |
| GL-20P  | ∅19.5 | ∅8.0                    | 8.0  | 12.5 | 0.8~1.2              | 500     |
| GL-27   | ∅27.0 | ∅8.0                    | 13.0 | 18.0 | 0.8~1.8              | 200     |
| GL-27F  | ∅26.7 | ∅7.8                    | 5.0  | 10.0 | 0.8~1.2              |         |
| GL-27K  | ∅26.7 | ∅7.8                    | 10.0 | 15.0 | 0.8~1.2              |         |
| GL-32D  | ∅33.0 | ∅8.4                    | 16.0 | 21.7 | 0.8~1.6              |         |



## 腳墊 PLASTIC FOOT

9-3-1

- MALE MATERIAL: NYLON 66(UL)
- FEMALE MATERIAL: TPR(UL)
- FLAME CLASS: 94V-0
- COLOR: BLACK,GRAY
- INCLUDE PIN
- \* 附 PIN



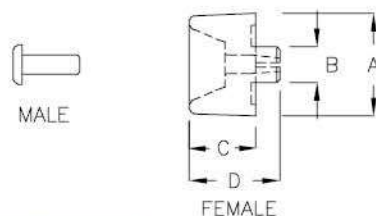
| PART NO | CHASSIS THICKNESS | A     | B HOLE IN CHASSIS | C   | D   | PACKAGE |
|---------|-------------------|-------|-------------------|-----|-----|---------|
| GL-20M  | 0.8               | ∅20.0 | ∅5.3              | 5.2 | 8.4 | 500     |



## 腳墊 PLASTIC FOOT

9-3-2

- MALE MATERIAL: PP
- FEMALE MATERIAL: EVA
- COLOR: BLACK,GRAY
- INCLUDE PIN
- \* 附 PIN



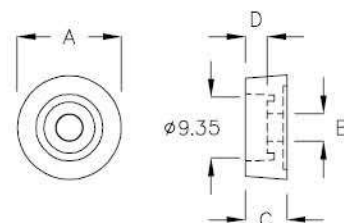
| PART NO | CHASSIS THICKNESS | A     | B HOLE IN CHASSIS | C    | D    | PACKAGE |
|---------|-------------------|-------|-------------------|------|------|---------|
| GL-23D  | 0.8~1.6           | ∅23.0 | ∅8.2              | 15.0 | 20.5 | 200     |
| GL-23F  | 0.8~1.6           | ∅23.0 | ∅8.0              | 23.0 | 28.5 |         |



## 腳墊 PLASTIC FOOT

9-3-3

- MATERIAL: TPR(UL)
- FLAME CLASS: 94V-0
- COLOR: BLACK
- MUST BE FASTENED BY M3 SCREW



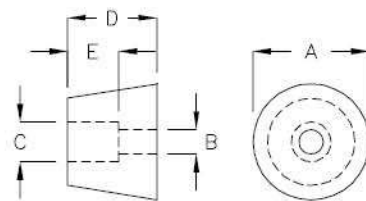
| PART NO | A     | B    | C   | D   | PACKAGE |
|---------|-------|------|-----|-----|---------|
| GL-03   | ∅15.0 | ∅4.2 | 6.0 | 3.2 | 500     |



腳墊 PLASTIC FOOT

9-4-1

- MATERIAL: TPE
- COLOR: BLACK
- MUST BE FASTENED BY M3 SCREW
- GL-7 CAN BE USED WITH SR-5 TO SNAP IN



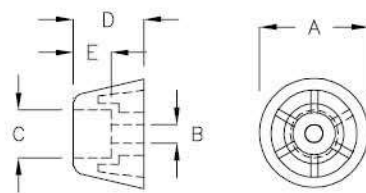
| PART NO | A     | B    | C     | D    | E    | PACKAGE |
|---------|-------|------|-------|------|------|---------|
| GL-2    | ∅13.8 | ∅3.2 | ∅5.9  | 10.0 | 6.0  | 1000    |
| GL-2C   | ∅12.0 | ∅3.5 | ∅6.35 | 8.0  | 3.3  |         |
| GL-4    | ∅20.0 | ∅3.4 | ∅8.7  | 10.4 | 4.5  | 500     |
| GL-4D   | ∅20.0 | ∅4.5 | ∅8.8  | 10.4 | 4.6  |         |
| GL-5    | ∅28.0 | ∅3.8 | ∅8.2  | 19.8 | 13.8 | 100     |
| GL-6K   | ∅19.0 | ∅3.8 | ∅9.0  | 6.3  | 3.2  | 500     |
| GL-6S   | ∅18.2 | ∅4.2 | ∅9.0  | 7.8  | 3.8  | 1000    |
| GL-7    | ∅14.7 | ∅5.0 | ∅9.0  | 6.0  | 2.2  |         |
| GL-7S   | ∅14.7 | ∅5.0 | ∅9.0  | 5.0  | 2.2  |         |



腳墊 PLASTIC FOOT

9-4-2

- MATERIAL: EVA
- COLOR: BLACK
- MUST BE FASTENED BY M3 SCREW



| PART NO | A     | B     | C    | D    | E    | PACKAGE |
|---------|-------|-------|------|------|------|---------|
| GL-4A   | ∅20.0 | ∅4.2  | ∅9.0 | 10.4 | 6.5  | 500     |
| GL-4L   | ∅19.7 | ∅3.4  | ∅8.7 | 12.6 | 6.8  |         |
| GL-6    | ∅18.6 | ∅3.95 | ∅8.8 | 6.4  | 3.3  |         |
| GL-9    | ∅25.0 | ∅3.3  | ∅9.0 | 6.4  | 3.4  |         |
| GL-20   | ∅20.0 | ∅4.2  | ∅9.2 | 20.0 | 14.0 | 200     |

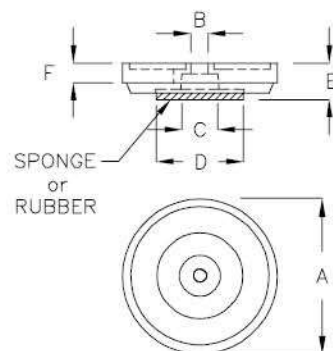




## 燙金腳墊 HOT STAMPING FOOT

9-5-1

- MATERIAL: ABS+SPONGE
- COLOR: BLACK(ABS), BLACK+GOLD, BLACK+SILVER
- MUST BE FASTENED BY M3 SCREW



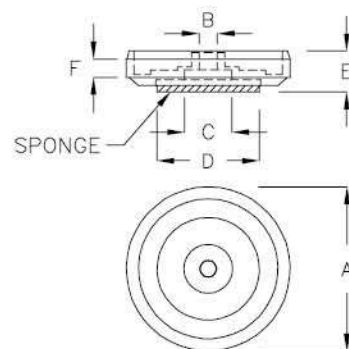
| PART NO | A     | B    | C     | D     | E    | F HOT STAMPING | COLOR           | PACKAGE |
|---------|-------|------|-------|-------|------|----------------|-----------------|---------|
| GLA-30C | ∅30.2 | ∅3.6 | ∅8.1  | ∅25.0 | 9.3  | 6.4            | STAMPING GOLD   | 100     |
| GLA-30F | ∅30.0 | ∅4.3 | ∅11.5 | ∅25.0 | 6.0  | 4.0            | STAMPING SILVER |         |
| GLA-40F | ∅40.0 | ∅4.3 | ∅11.5 | ∅25.0 | 8.0  | 4.5            | STAMPING SILVER |         |
| GLA-45F | ∅44.8 | ∅4.0 | ∅10.3 | ∅25.0 | 10.9 | 5.8            | ABS BLACK       | 50      |
| GLA-50F | ∅50.0 | ∅4.3 | ∅11.5 | ∅35.0 | 13.5 | 8.0            |                 |         |



## 燙金腳墊 HOT STAMPING FOOT

9-5-2

- MATERIAL: ABS+SPONGE
- COLOR: BLACK(ABS) BLACK+GOLD, BLACK+SILVER
- MUST BE FASTENED BY M3 SCREW



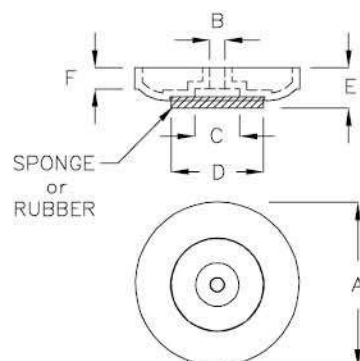
| PART NO | A     | B    | C     | D     | E    | F HOT STAMPING | PACKAGE |
|---------|-------|------|-------|-------|------|----------------|---------|
| GLA-40H | ∅40.0 | ∅4.3 | ∅11.5 | ∅25.0 | 10.0 | 4.5            | 100     |



## 燙金腳墊 HOT STAMPING FOOT

9-5-3

- MATERIAL: ABS+SPONGE
- COLOR: BLACK(ABS) BLACK+GOLD, BLACK+SILVER
- MUST BE FASTENED BY M3 SCREW



| PART NO | A     | B    | C     | D     | E    | F HOT STAMPING | COLOR   | PACKAGE |
|---------|-------|------|-------|-------|------|----------------|---|---------|
| GLA-45C | ∅44.5 | ∅4.0 | ∅12.0 | ∅25.0 | 10.9 | 5.7            | STAMPING GOLD<br>STAMPING SILVER<br>ABS BLACK | 50      |

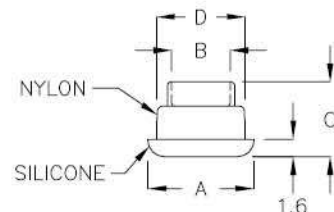
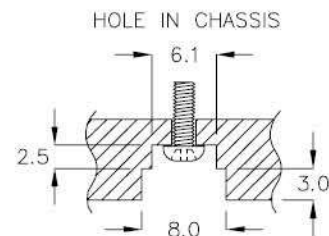


**腳墊 RUBBER FOOT**

**9-6-1**

- PLASTIC MATERIAL: NYLON 66(UL)
- FLAME CLASS: 94V-0
- SOFT MATERIAL: SILICONE
- COLOR: BLACK

| PART NO | A    | B    | C   | D    | PACKAGE |
|---------|------|------|-----|------|---------|
| WHT-6C  | ø9.6 | ø5.3 | 6.8 | ø8.0 | 2000    |

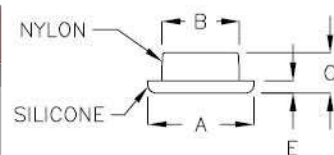
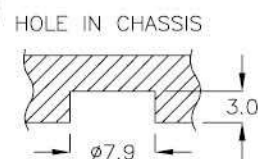


**腳墊 RUBBER FOOT**

**9-6-2**

- PLASTIC MATERIAL: NYLON 66, NYLON 46(UL)
- FLAME CLASS: 94HB, 94V-0
- SOFT MATERIAL: SILICONE
- COLOR: BLACK, GRAY

| PART NO | PLASTIC MATERIAL | A     | B    | C    | E    | PACKAGE |
|---------|------------------|-------|------|------|------|---------|
| WHT-6F  | N66/BLACK        | ø11.0 | ø8.0 | 4.15 | 1.25 | 2000    |
|         | N66/GRAY         | ø9.6  | ø7.9 | 4.55 | 1.75 |         |
|         | N46/BLACK        | ø9.6  | ø8.0 | 4.55 | 1.65 |         |

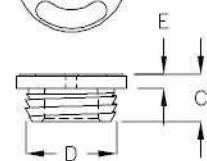


**腳墊 RUBBER FOOT**

**9-6-3**

- MATERIAL: TPE
- COLOR: BLACK

| PART NO | A     | C   | D     | E   | PACKAGE |
|---------|-------|-----|-------|-----|---------|
| GLE-01  | ø20.0 | 8.5 | ø15.7 | 2.5 | 500     |
| GLE-02  | ø22.8 | 9.1 | ø20.0 | 2.4 |         |
| GLE-03  | ø20.0 | 7.3 | ø15.7 | 2.5 |         |



HOLE IN CHASSIS

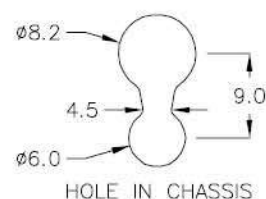
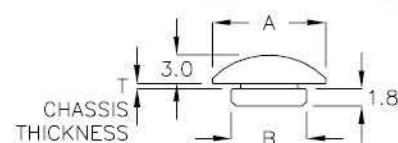


**墊座 SILICONE RUBBER FOOT**

**9-6-4**

- MATERIAL: SILICONE
- COLOR: BLACK

| PART NO | A     | B    | T   | PACKAGE |
|---------|-------|------|-----|---------|
| GMC-3CD | ø12.0 | ø8.0 | 0.6 | 2000    |

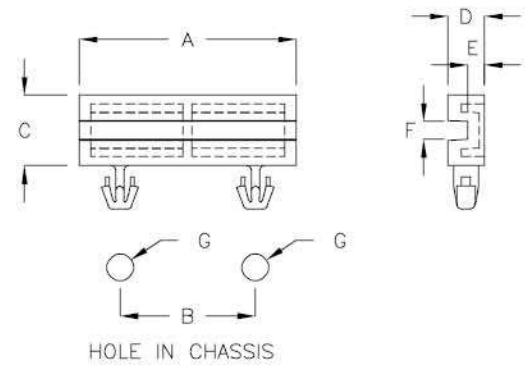


HOLE IN CHASSIS

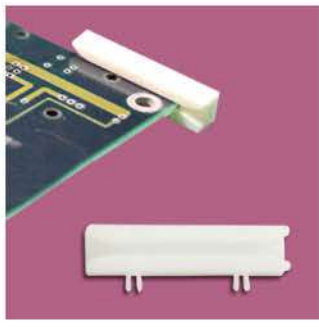


印刷電路板導槽 PCB GUIDE RAIL 11-3-1

- MATERIAL: NYLON 66(UL)
- FLAME CLASS: 94V-2
- COLOR: NATURAL
- NO EXTRA SCREW NEEDED

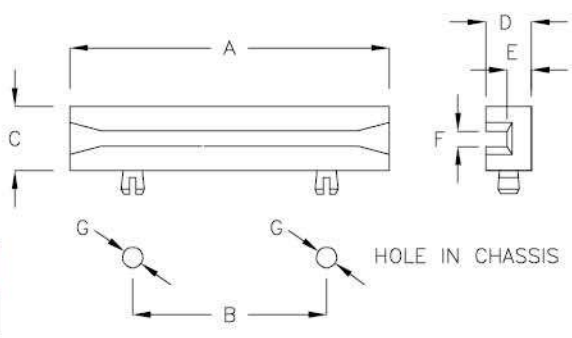


| PART NO | A    | B    | C   | D   | E   | F   | G    | CHASSIS THICKNESS | PACKAGE |
|---------|------|------|-----|-----|-----|-----|------|-------------------|---------|
| CG-24RM | 24.0 | 15.0 | 7.8 | 4.0 | 1.8 | 2.0 | ∅3.0 | 2.0               | 500     |

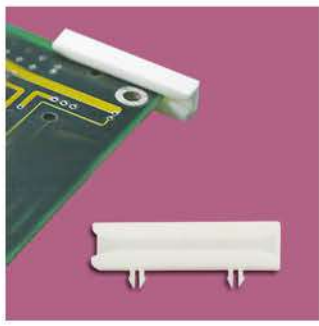


印刷電路板導槽 PCB GUIDE RAIL 11-3-2

- MATERIAL: NYLON 66(UL)
- FLAME CLASS: 94V-2
- COLOR: NATURAL
- NO EXTRA SCREW NEEDED

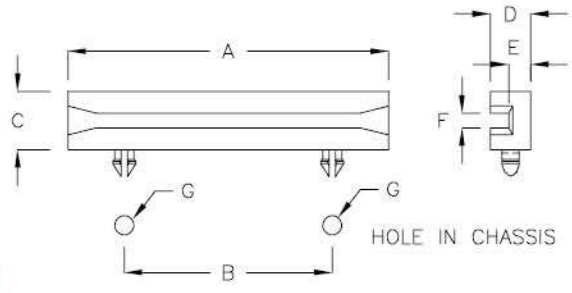


| PART NO | A    | B    | C   | D   | E   | F   | G    | MAXIMUM THICKNESS | PACKAGE |
|---------|------|------|-----|-----|-----|-----|------|-------------------|---------|
| CG-4A   | 38.3 | 20.2 | 9.3 | 6.5 | 3.5 | 2.3 | ∅3.0 | 1.2               | 500     |

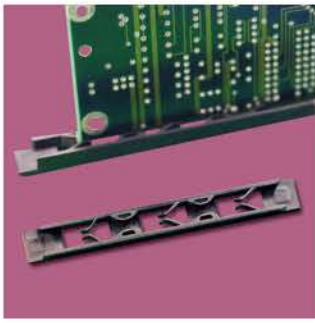


印刷電路板導槽 PCB GUIDE RAIL 11-3-3

- MATERIAL: NYLON 66(UL)
- FLAME CLASS: 94V-2
- COLOR: NATURAL
- NO EXTRA SCREW NEEDED

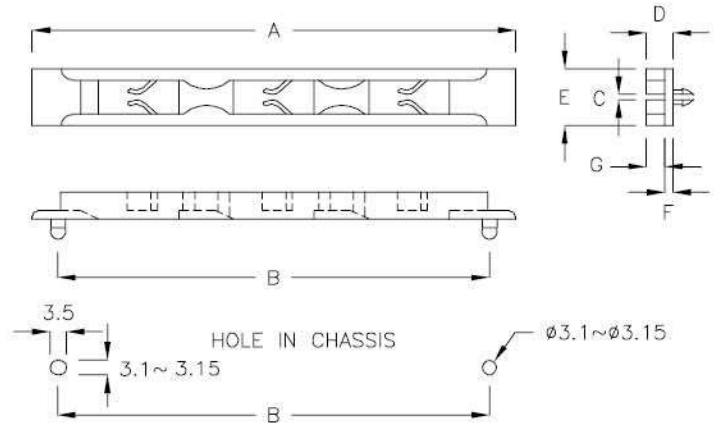


| PART NO | A    | B    | C   | D   | E   | F   | G    | MAXIMUM THICKNESS | PACKAGE |
|---------|------|------|-----|-----|-----|-----|------|-------------------|---------|
| CG-04E  | 38.3 | 20.0 | 9.3 | 6.5 | 3.5 | 1.8 | ∅3.5 | 1.6               | 500     |
| CG-04C  | 38.3 | 20.2 | 9.3 | 6.5 | 3.5 | 2.3 | ∅3.2 | 1.6               |         |
| CG-04H  | 50.0 | 40.0 | 7.0 | 6.0 | 3.0 | 2.0 | ∅3.2 | 1.6               | 100     |
| CG-08C  | 80.5 | 60.0 | 9.4 | 6.4 | 3.4 | 2.3 | ∅3.2 | 1.6               |         |
| CG-08D  | 80.5 | 60.0 | 8.0 | 6.0 | 3.0 | 2.0 | ∅3.2 | 1.6               |         |
| CG-08H  | 80.5 | 60.0 | 8.0 | 6.0 | 3.0 | 2.0 | ∅3.2 | 2.6               |         |



印刷電路板導槽 PCB GUIDE RAIL 11-4-1

- MATERIAL: NYLON 66(UL)
- FLAME CLASS: 94V-2
- COLOR: BLACK
- NO EXTRA SCREW NEEDED

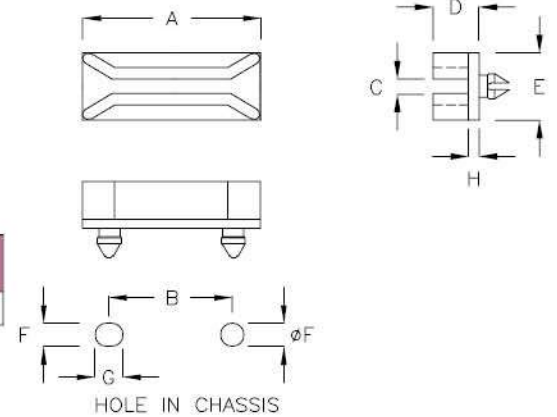


| PART NO | A     | B    | C   | D   | E    | F   | G   | MAXIMUM THICKNESS | PACKAGE |
|---------|-------|------|-----|-----|------|-----|-----|-------------------|---------|
| CG-10B  | 102.8 | 91.9 | 1.1 | 5.6 | 11.9 | 1.7 | 3.9 | 2.3               | 100     |

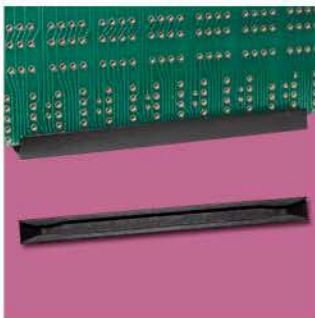


印刷電路板導槽 PCB GUIDE RAIL 11-4-2

- MATERIAL: NYLON 66(UL)
- FLAME CLASS: 94V-2
- COLOR: NATURAL
- NO EXTRA SCREW NEEDED

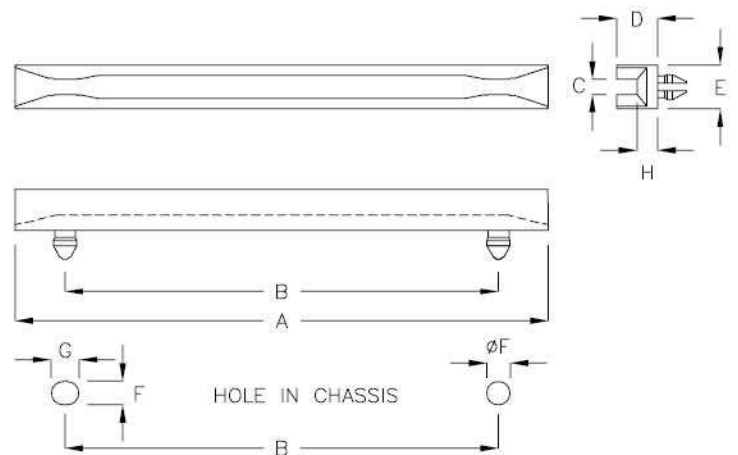


| PART NO | A    | B    | C   | D   | E   | F   | G   | H   | MAXIMUM THICKNESS | PACKAGE |
|---------|------|------|-----|-----|-----|-----|-----|-----|-------------------|---------|
| CG-2A   | 26.0 | 18.0 | 1.9 | 6.8 | 9.7 | 3.4 | 4.0 | 1.3 | 1.2               | 500     |



印刷電路板導槽 PCB GUIDE RAIL 11-4-3

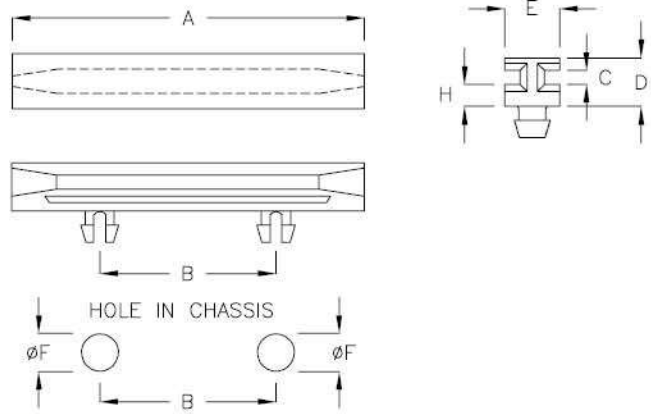
- MATERIAL: NYLON 66(UL)
- FLAME CLASS: 94V-2
- COLOR: BLACK
- NO EXTRA SCREW NEEDED



| PART NO | A    | B    | C   | D   | E   | F   | G   | H   | MAXIMUM THICKNESS | PACKAGE |
|---------|------|------|-----|-----|-----|-----|-----|-----|-------------------|---------|
| CG-06A  | 76.8 | 62.5 | 2.2 | 5.9 | 6.3 | 3.4 | 4.0 | 3.0 | 1.0               | 200     |

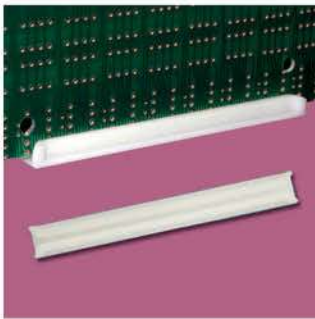


印刷電路板導槽 PCB GUIDE RAIL 11-5-1

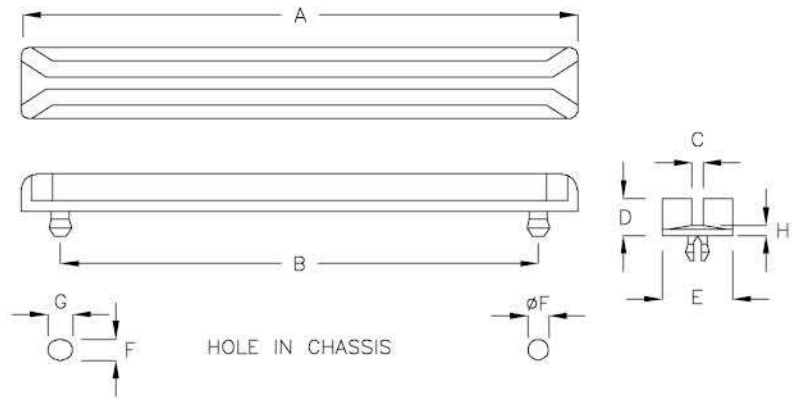


- MATERIAL: NYLON 66(UL)
- FLAME CLASS: 94V-2
- COLOR: NATURAL
- NO EXTRA SCREW NEEDED

| PART NO | A    | B    | C   | D   | E   | F   | H   | MAXIMUM THICKNESS | PACKAGE |
|---------|------|------|-----|-----|-----|-----|-----|-------------------|---------|
| CG-5D   | 50.8 | 25.4 | 2.0 | 7.0 | 7.9 | 4.4 | 3.2 | 1.6               | 200     |

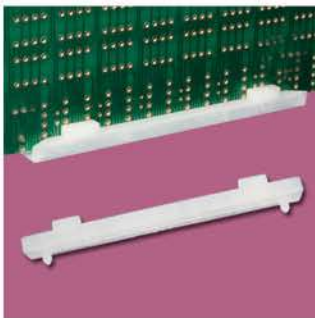


印刷電路板導槽 PCB GUIDE RAIL 11-5-2

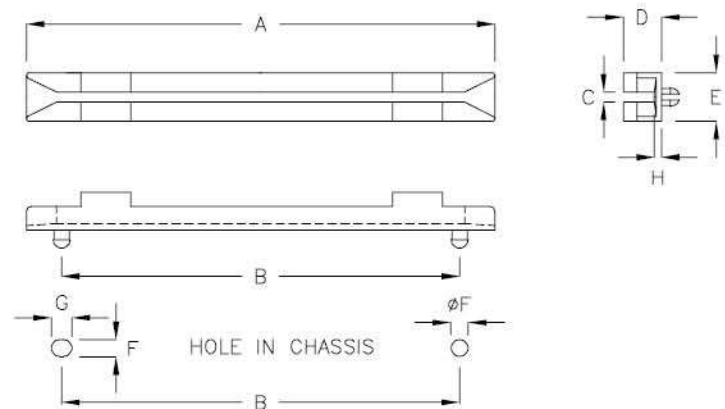


- MATERIAL: NYLON 66(UL)
- FLAME CLASS: 94V-2
- COLOR: NATURAL
- NO EXTRA SCREW NEEDED

| PART NO | A    | B     | C   | D   | E    | F   | G   | H   | MAXIMUM THICKNESS | PACKAGE |
|---------|------|-------|-----|-----|------|-----|-----|-----|-------------------|---------|
| CG-9B   | 89.2 | 76.85 | 1.9 | 6.0 | 11.3 | 3.4 | 4.0 | 1.6 | 1.2               | 100     |

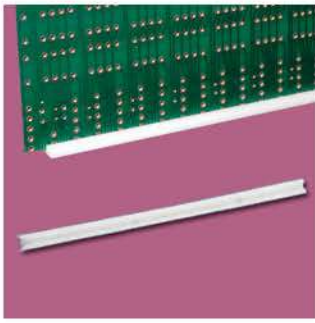


印刷電路板導槽 PCB GUIDE RAIL 11-5-3



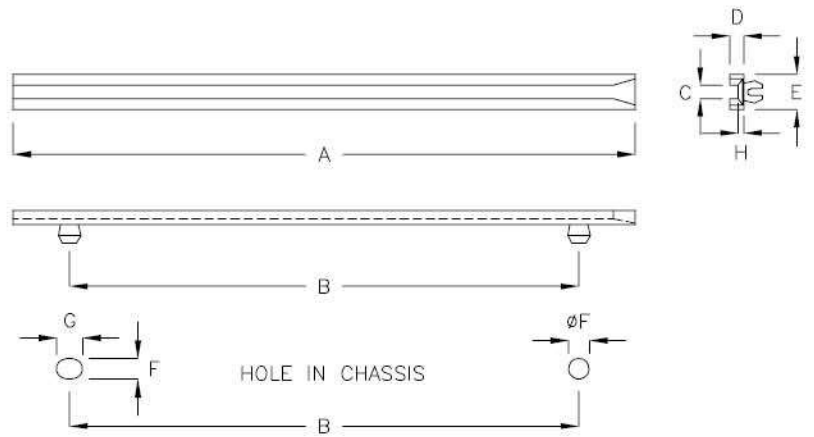
- MATERIAL: NYLON 66(UL)
- FLAME CLASS: 94V-2
- COLOR: NATURAL
- NO EXTRA SCREW NEEDED

| PART NO | A    | B    | C   | D    | E   | F   | G   | H   | MAXIMUM THICKNESS | PACKAGE |
|---------|------|------|-----|------|-----|-----|-----|-----|-------------------|---------|
| CG-9AW  | 89.7 | 76.7 | 1.9 | 11.6 | 9.7 | 3.4 | 4.0 | 1.3 | 1.2               | 100     |
| CG-9D   | 89.7 | 76.8 | 1.9 | 7.1  | 9.5 | 3.4 | 4.0 | 1.4 | 1.2               |         |



印刷電路板導槽 PCB GUIDE RAIL 11-6-1

- MATERIAL: NYLON 66(UL)
- FLAME CLASS: 94V-2
- COLOR: NATURAL
- NO EXTRA SCREW NEEDED

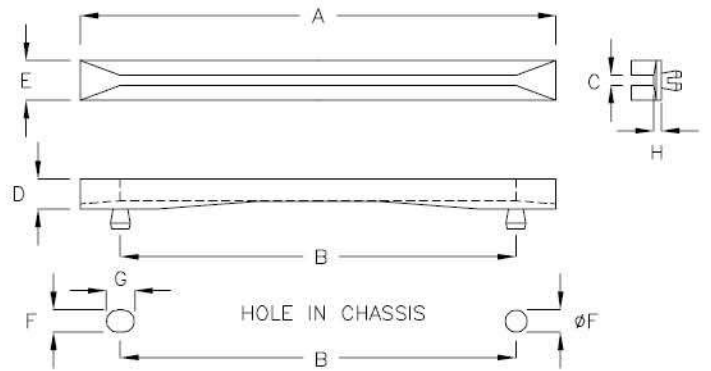


| PART NO | A     | B     | C   | D   | E   | F   | G   | H   | MAXIMUM THICKNESS | PACKAGE |
|---------|-------|-------|-----|-----|-----|-----|-----|-----|-------------------|---------|
| CG-14C  | 140.2 | 114.8 | 2.0 | 3.2 | 8.0 | 4.8 | 5.9 | 1.3 | 1.2               | 100     |
| CG-14D  | 140.2 | 114.8 | 3.0 | 3.2 | 8.0 | 4.8 | 5.9 | 1.3 | 1.7               |         |

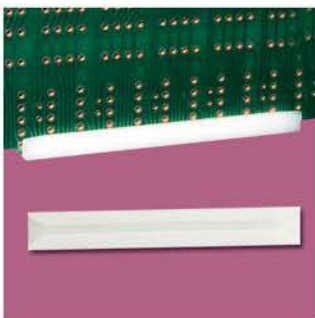


印刷電路板導槽 PCB GUIDE RAIL 11-6-2

- MATERIAL: NYLON 66(UL)
- FLAME CLASS: 94V-2
- COLOR: NATURAL
- NO EXTRA SCREW NEEDED

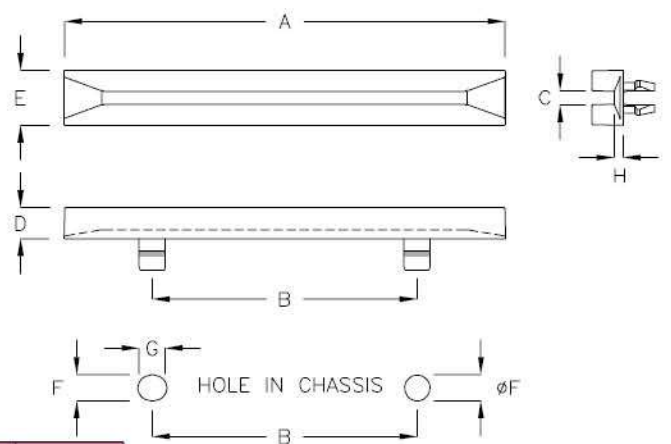


| PART NO | A    | B    | C   | D   | E   | F   | G   | H   | MAXIMUM THICKNESS | PACKAGE |
|---------|------|------|-----|-----|-----|-----|-----|-----|-------------------|---------|
| CG-7B   | 76.2 | 63.5 | 1.9 | 4.8 | 6.4 | 3.2 | 4.1 | 0.9 | 1.3               | 100     |



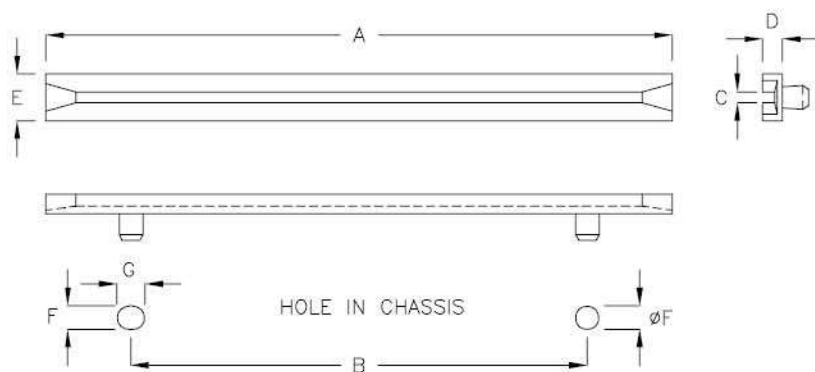
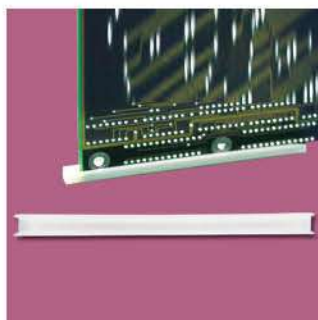
印刷電路板導槽 PCB GUIDE RAIL 11-6-3

- MATERIAL: NYLON 66(UL)
- FLAME CLASS: 94V-2
- COLOR: NATURAL
- NO EXTRA SCREW NEEDED



| PART NO | A    | B    | C   | D   | E   | F   | G   | H   | MAXIMUM THICKNESS | PACKAGE |
|---------|------|------|-----|-----|-----|-----|-----|-----|-------------------|---------|
| CG-06H  | 63.5 | 38.1 | 1.9 | 4.5 | 7.9 | 4.6 | 5.0 | 1.3 | 1.6               | 200     |
| CG-6J   | 63.5 | 38.1 | 2.3 | 2.8 | 4.6 | 3.4 | 4.0 | 1.0 | 1.0               |         |
| CG-5QT  | 63.5 | 38.1 | 2.3 | 6.4 | 6.4 | 4.5 | 5.1 | 1.3 | 1.0               |         |

印刷電路板導槽 PCB GUIDE RAIL 11-7-1

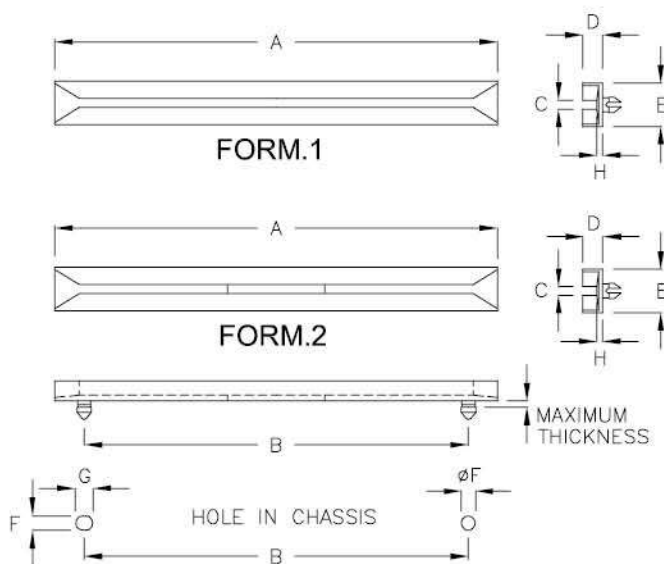


- MATERIAL: NYLON 66(UL)
- FLAME CLASS: 94V-2
- COLOR: NATURAL
- NO EXTRA SCREW NEEDED

| PART NO | A     | B     | C   | D   | E   | F   | G   | MAXIMUM THICKNESS | PACKAGE |
|---------|-------|-------|-----|-----|-----|-----|-----|-------------------|---------|
| CG-10N  | 101.6 | 88.9  | 1.9 | 4.4 | 6.4 | 3.2 | 4.0 | 1.1               | 100     |
| CG-16N  | 164.1 | 152.4 | 2.0 | 4.4 | 6.5 | 3.2 | 3.9 | 1.1               |         |

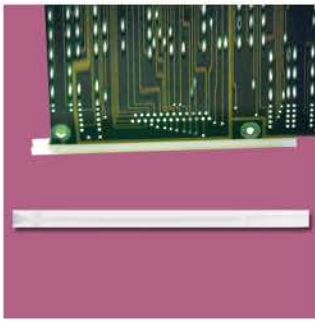


印刷電路板導槽 PCB GUIDE RAIL 11-7-2



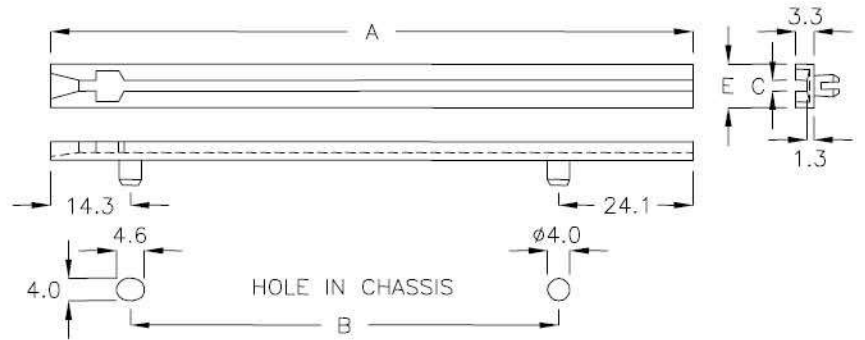
- MATERIAL: NYLON 66(UL)
- FLAME CLASS: 94V-2
- COLOR: NATURAL
- NO EXTRA SCREW NEEDED

| PART NO | A     | B     | C   | D   | E    | F   | G   | H   | MAXIMUM THICKNESS | FORM | PACKAGE |
|---------|-------|-------|-----|-----|------|-----|-----|-----|-------------------|------|---------|
| CG-3A   | 38.0  | 25.4  | 1.9 | 4.6 | 9.6  | 3.4 | 4.0 | 1.5 | 1.2               | 1    | 500     |
| CG-5A   | 50.8  | 38.0  | 2.3 | 4.6 | 9.6  | 3.4 | 4.0 | 1.5 | 1.1               | 1    | 200     |
| CG-7A   | 76.6  | 63.5  | 2.2 | 4.6 | 10.0 | 3.4 | 4.0 | 1.4 | 1.2               | 1    | 100     |
| CG-7C   | 76.6  | 63.5  | 2.1 | 4.1 | 10.0 | 3.4 | 4.0 | 1.1 | 1.2               | 1    |         |
| CG-9A   | 89.7  | 76.7  | 1.9 | 4.5 | 9.7  | 3.4 | 4.0 | 1.5 | 1.2               | 2    |         |
| CG-9F   | 89.2  | 76.7  | 2.3 | 4.4 | 6.4  | 3.4 | 4.0 | 1.1 | 1.2               | 1    |         |
| CG-10A  | 102.1 | 89.5  | 2.2 | 4.6 | 6.3  | 3.4 | 4.0 | 1.1 | 1.2               | 1    | 100     |
| CG-10M  | 100.0 | 70.0  | 2.0 | 4.3 | 7.5  | 4.8 | 6.0 | 2.3 | 1.1               | 1    |         |
| CG-10P  | 100.0 | 70.0  | 2.0 | 4.3 | 7.5  | 4.8 | 6.4 | 1.5 | 1.2               | 1    |         |
| CG-12D  | 114.3 | 88.9  | 1.9 | 6.4 | 6.4  | 4.8 | 5.5 | 1.3 | 1.2               | 1    |         |
| CG-13A  | 127.0 | 101.6 | 2.3 | 4.6 | 6.4  | 3.4 | 4.0 | 1.1 | 1.5               | 1    |         |
| CG-13C  | 110.0 | 101.6 | 2.3 | 4.6 | 6.4  | 3.4 | 4.0 | 1.1 | 1.2               | 1    |         |
| CG-14A  | 136.0 | 114.5 | 2.2 | 4.6 | 6.3  | 3.4 | 4.0 | 1.1 | 1.5               | 1    |         |
| CG-15C  | 153.8 | 141.6 | 2.1 | 4.8 | 6.5  | 3.4 | 4.0 | 1.4 | 1.2               | 1    |         |
| CG-18A  | 181.1 | 161.3 | 2.0 | 4.6 | 6.5  | 3.4 | 4.6 | 1.2 | 1.2               | 1    |         |
| CG-19A  | 191.1 | 177.0 | 2.0 | 5.5 | 6.4  | 3.4 | 4.0 | 1.8 | 1.2               | 1    |         |
| CG-21A  | 217.8 | 205.0 | 2.0 | 4.6 | 6.6  | 3.4 | 4.0 | 1.2 | 1.0               | 1    |         |
| CG-21B  | 218.7 | 205.0 | 2.2 | 7.7 | 6.6  | 3.4 | 4.0 | 1.3 | 1.2               | 1    |         |

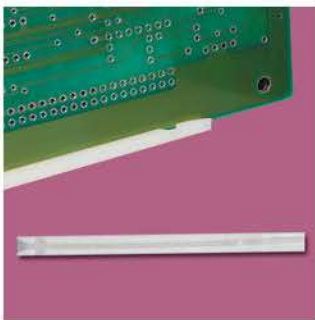


印刷電路板導槽 PCB GUIDE RAIL ———— | 11-8-1 |

- MATERIAL: NYLON 66(UL)
- FLAME CLASS: 94V-2
- COLOR: NATURAL
- NO EXTRA SCREW NEEDED

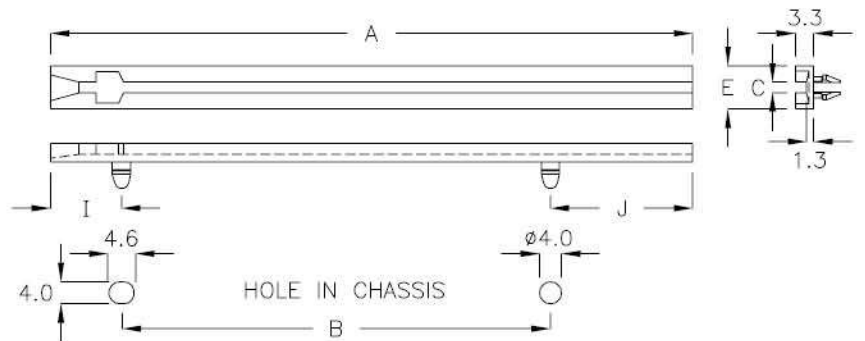


| PART NO | A     | B    | C   | E   | MAXIMUM THICKNESS | PACKAGE |
|---------|-------|------|-----|-----|-------------------|---------|
| CG-11A  | 115.5 | 77.1 | 2.0 | 7.9 | 1.2               | 100     |

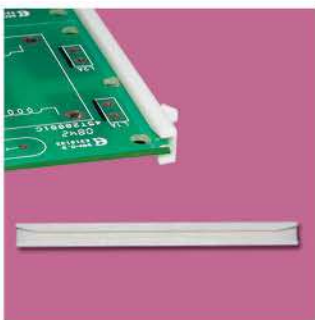


印刷電路板導槽 PCB GUIDE RAIL ———— | 11-8-2 |

- MATERIAL: NYLON 66(UL)
- FLAME CLASS: 94V-2
- COLOR: NATURAL
- NO EXTRA SCREW NEEDED

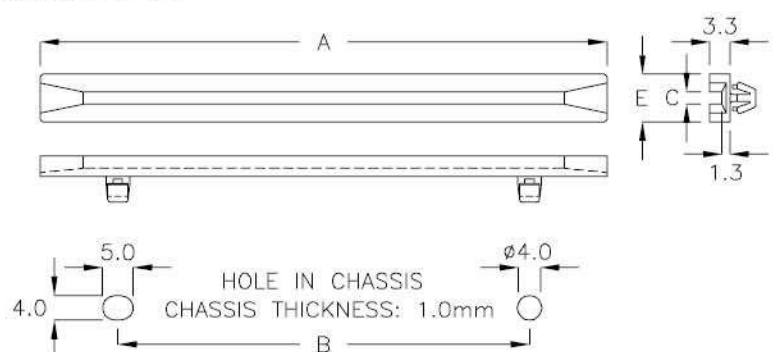


| PART NO | A     | B    | C   | E   | I    | J    | MAXIMUM THICKNESS | PACKAGE |
|---------|-------|------|-----|-----|------|------|-------------------|---------|
| CG-11F  | 115.5 | 77.1 | 1.9 | 7.9 | 12.8 | 25.6 | 1.4               | 100     |
| CG-92TK | 92.0  | 67.4 | 1.9 | 7.9 | 12.7 | 11.9 | 1.4               |         |



印刷電路板導槽 PCB GUIDE RAIL ———— | 11-8-3 |

- MATERIAL: NYLON 66(UL)
- FLAME CLASS: 94V-2
- COLOR: NATURAL
- NO EXTRA SCREW NEEDED



| PART NO | A    | B    | C   | E   | PACKAGE |
|---------|------|------|-----|-----|---------|
| CG-92FM | 92.8 | 67.4 | 1.9 | 7.9 | 100     |



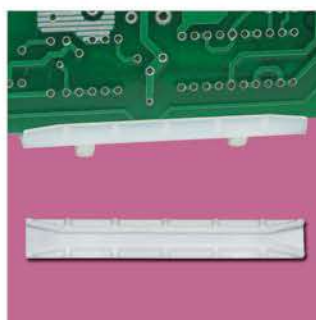
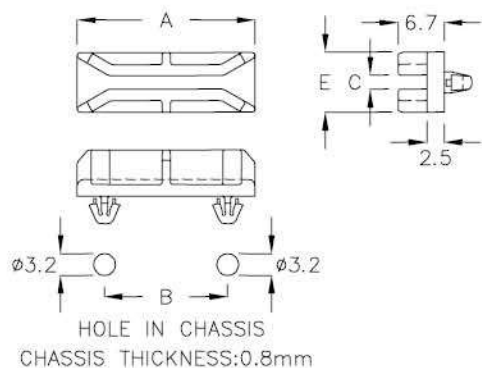


印刷電路板導槽 PCB GUIDE RAIL ———— 11-9-1

- MATERIAL: NYLON 66(UL)
- FLAME CLASS: 94V-0
- COLOR: NATURAL
- NO EXTRA SCREW NEEDED

**NEW**

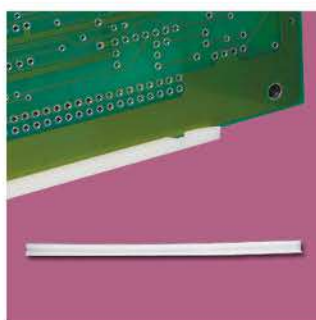
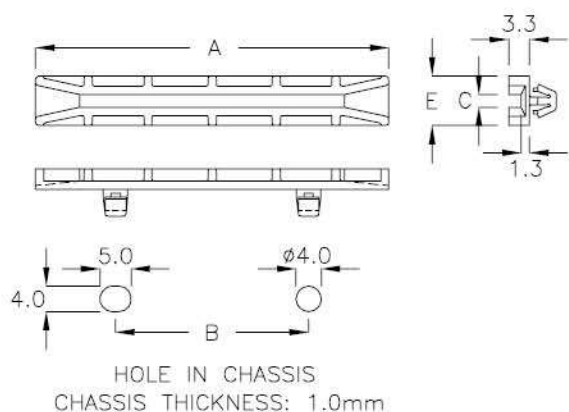
| PART NO  | A    | B    | C   | E   | PACKAGE |
|----------|------|------|-----|-----|---------|
| ★ CG-2RQ | 25.8 | 17.9 | 2.0 | 8.7 | 500     |



印刷電路板導槽 PCB GUIDE RAIL ———— 11-9-2

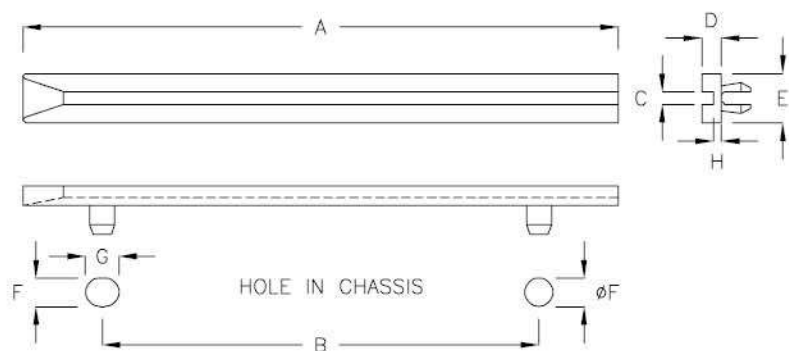
- MATERIAL: NYLON 66(UL)
- FLAME CLASS: 94V-2
- COLOR: NATURAL
- NO EXTRA SCREW NEEDED

| PART NO | A    | B    | C   | E   | PACKAGE |
|---------|------|------|-----|-----|---------|
| CG-56FY | 56.0 | 30.6 | 2.0 | 7.8 | 200     |



印刷電路板導槽 PCB GUIDE RAIL ———— 11-9-3

- MATERIAL: NYLON 66(UL)
- FLAME CLASS: 94V-2
- COLOR: NATURAL
- NO EXTRA SCREW NEEDED

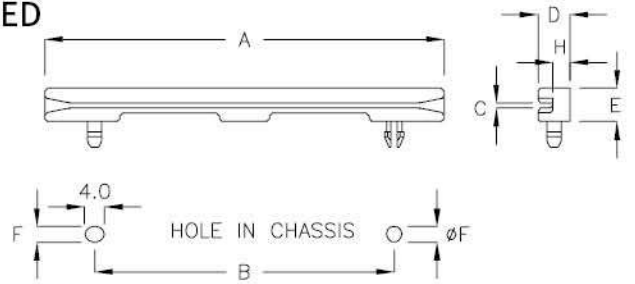


| PART NO | A     | B     | C   | D   | E   | F   | G   | H   | MAXIMUM THICKNESS | PACKAGE |
|---------|-------|-------|-----|-----|-----|-----|-----|-----|-------------------|---------|
| CG-20A  | 203.2 | 177.8 | 2.0 | 3.2 | 7.9 | 4.6 | 5.4 | 1.3 | 1.7               | 100     |



印刷電路板導槽 PCB GUIDE RAIL 11-10-1

- MATERIAL: NYLON 66(UL)
- FLAME CLASS: 94V-2
- COLOR: BLACK
- NO EXTRA SCREW NEEDED

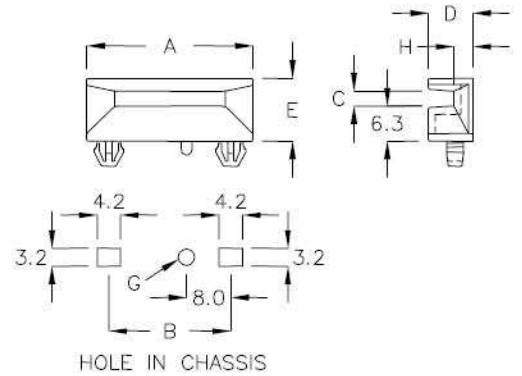


| PART NO | A    | B    | C   | D   | E   | F   | H   | MAXIMUM THICKNESS | PACKAGE |
|---------|------|------|-----|-----|-----|-----|-----|-------------------|---------|
| CG-08K  | 80.0 | 60.0 | 1.1 | 6.5 | 6.7 | 3.2 | 3.5 | 2.0               | 100     |



印刷電路板導槽 PCB GUIDE RAIL 11-10-2

- MATERIAL: NYLON 66(UL)
- FLAME CLASS: 94V-2
- COLOR: NATURAL
- NO EXTRA SCREW NEEDED

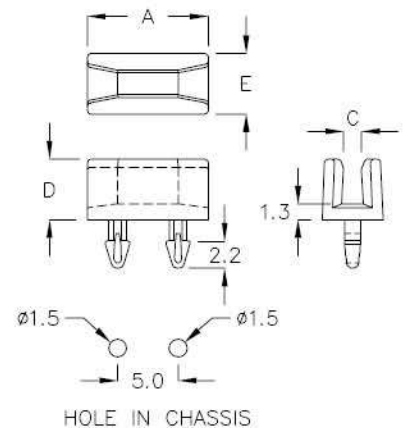


| PART NO | A    | B    | C   | D   | E    | G    | H   | CHASSIS THICKNESS | PACKAGE |
|---------|------|------|-----|-----|------|------|-----|-------------------|---------|
| CG-3WX  | 30.0 | 22.0 | 2.7 | 8.0 | 11.3 | ∅3.0 | 3.4 | 0.8               | 500     |



印刷電路板導槽 PCB GUIDE RAIL 11-10-3

- MATERIAL: NYLON 66(UL)
- FLAME CLASS: 94V-2
- COLOR: NATURAL
- NO EXTRA SCREW NEEDED

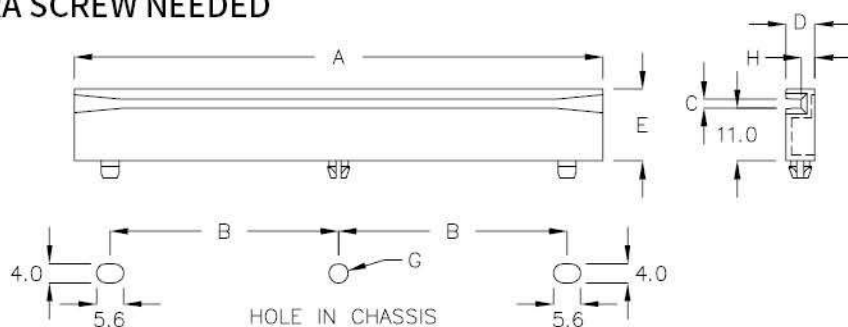


| PART NO | A    | C   | D   | E   | CHASSIS THICKNESS | PACKAGE |
|---------|------|-----|-----|-----|-------------------|---------|
| CGD-1KF | 10.0 | 1.7 | 5.0 | 5.0 | 1.6               | 500     |



印刷電路板導槽 PCB GUIDE RAIL 11-11-1

- MATERIAL: NYLON 66(UL)
- FLAME CLASS: 94V-2
- COLOR: BLACK
- NO EXTRA SCREW NEEDED

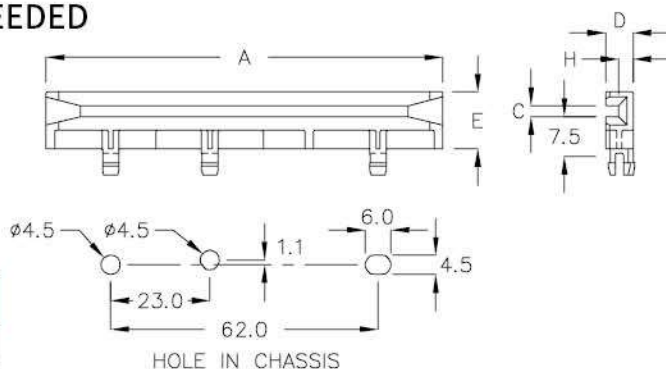


| PART NO | A     | B    | C   | D   | E    | G    | H   | CHASSIS THICKNESS | PACKAGE |
|---------|-------|------|-----|-----|------|------|-----|-------------------|---------|
| CG-11K  | 110.0 | 47.5 | 1.8 | 6.0 | 14.9 | ∅4.0 | 2.8 | 1.2               | 100     |

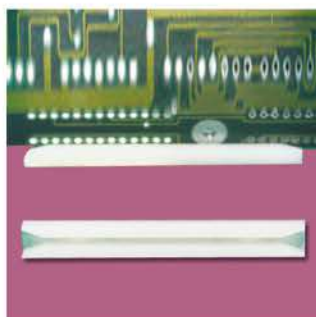


印刷電路板導槽 PCB GUIDE RAIL 11-11-2

- MATERIAL: NYLON 66(UL)
- FLAME CLASS: 94V-0
- COLOR: NATURAL
- NO EXTRA SCREW NEEDED

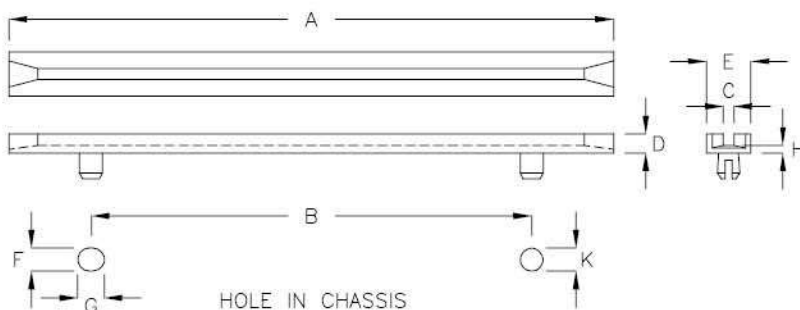


| PART NO | A    | C   | D   | E    | H   | MAXIMUM THICKNESS | PACKAGE |
|---------|------|-----|-----|------|-----|-------------------|---------|
| CGU-92F | 92.0 | 2.5 | 6.4 | 13.2 | 3.4 | 3.0               | 100     |



印刷電路板導槽 PCB GUIDE RAIL 11-11-3

- MATERIAL: NYLON 66(UL)
- FLAME CLASS: 94V-2
- COLOR: NATURAL
- NO EXTRA SCREW NEEDED

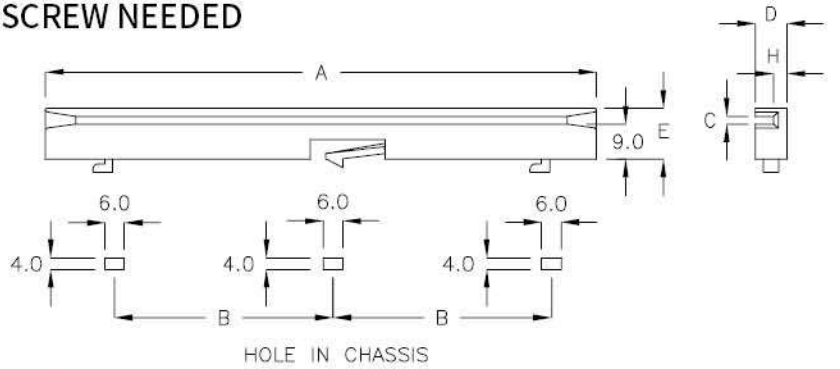


| PART NO | A    | B    | C   | D   | E    | F    | G   | H   | K    | CHASSIS THICKNESS | PACKAGE |
|---------|------|------|-----|-----|------|------|-----|-----|------|-------------------|---------|
| CG-45RK | 45.0 | 23.0 | 1.9 | 3.3 | 7.9  | ∅4.5 | 5.1 | 1.3 | ∅4.6 | 1.4~1.6           | 200     |
| CG-5C   | 63.5 | 38.1 | 2.3 | 6.4 | 6.4  | ∅4.5 | 5.1 | 1.3 | ∅4.5 | 1.2~1.6           |         |
| CG-6F   | 63.5 | 38.1 | 1.9 | 4.5 | 7.9  | ∅4.6 | 5.0 | 1.3 | ∅4.6 | 1.2~1.6           |         |
| CG-08L  | 88.9 | 63.5 | 1.9 | 4.5 | 7.9  | ∅4.6 | 5.0 | 1.3 | ∅4.6 | 1.4~1.6           | 100     |
| CG-88D  | 88.9 | 63.5 | 1.9 | 3.3 | 7.9  | ∅4.5 | 5.1 | 1.3 | ∅4.6 | 1.4~1.6           |         |
| CG-9AL  | 89.1 | 77.4 | 2.2 | 7.1 | 10.0 | ∅3.4 | 4.0 | 1.6 | ∅3.4 | 1.6               |         |

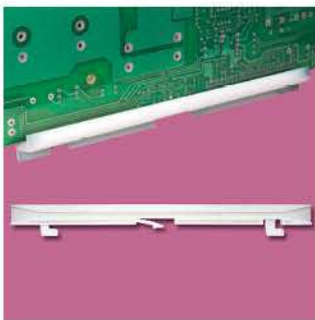


印刷電路板導槽 PCB GUIDE RAIL 11-12-1

- MATERIAL: NYLON 66(UL)
- FLAME CLASS: 94V-2
- COLOR: BLACK
- NO EXTRA SCREW NEEDED

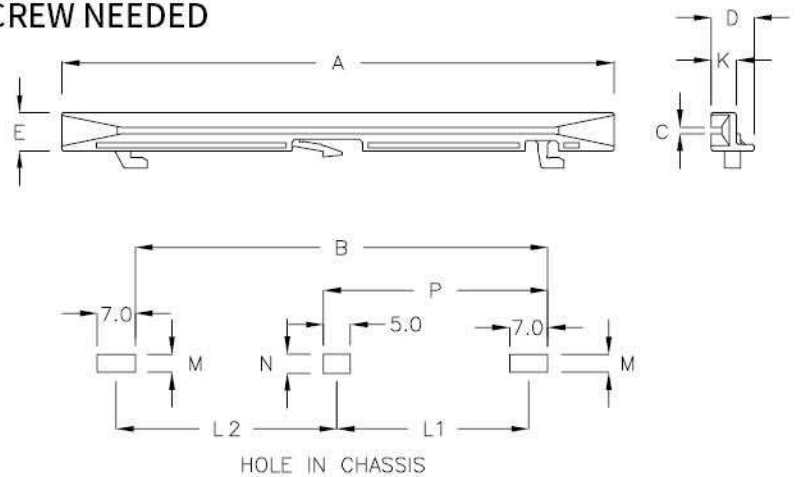


| PART NO | A     | B    | C   | D   | E    | H   | MAXIMUM THICKNESS | PACKAGE |
|---------|-------|------|-----|-----|------|-----|-------------------|---------|
| CG-16C  | 190.0 | 80.0 | 2.0 | 6.4 | 13.1 | 3.2 | 1.0               | 100     |



印刷電路板導槽 PCB GUIDE RAIL 11-12-2

- MATERIAL: NYLON 66(UL)
- FLAME CLASS: 94V-2
- COLOR: NATURAL
- NO EXTRA SCREW NEEDED

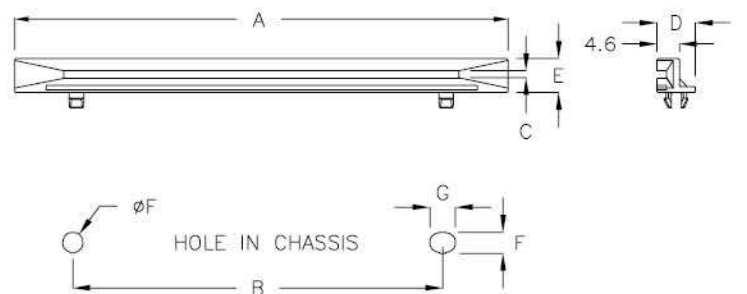


| PART NO | A     | B    | C   | D   | E     | K   | M    | N    | P    | L1   | L2   | MAXIMUM THICKNESS | PACKAGE |
|---------|-------|------|-----|-----|-------|-----|------|------|------|------|------|-------------------|---------|
| CG-8M   | 81.0  | 65.4 | 2.0 | 8.0 | 10.65 | 6.5 | 5.65 | 5.65 | 33.0 | 27.0 | 38.4 | 1.0               | 100     |
| CG-10Q  | 101.6 | 75.9 | 1.2 | 7.9 | 7.0   | 4.6 | 3.3  | 3.6  | 41.3 | 35.3 | 40.6 | 1.0               |         |

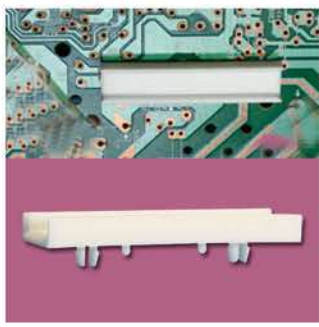


印刷電路板導槽 PCB GUIDE RAIL 11-12-3

- MATERIAL: NYLON 66(UL)
- FLAME CLASS: 94V-2
- COLOR: NATURAL
- NO EXTRA SCREW NEEDED

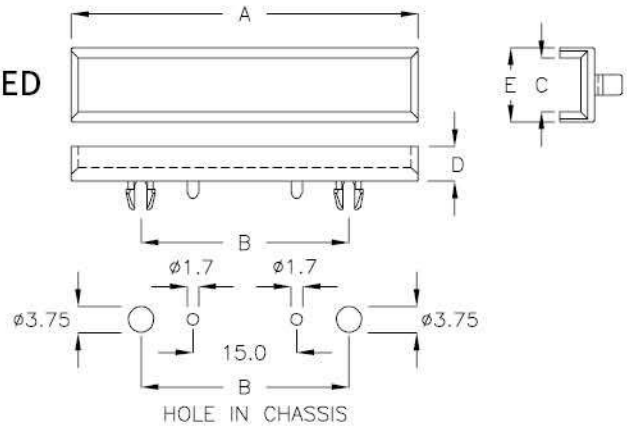


| PART NO | A     | B    | C   | D   | E   | F   | G   | MAXIMUM THICKNESS | PACKAGE |
|---------|-------|------|-----|-----|-----|-----|-----|-------------------|---------|
| CG-10K  | 101.6 | 76.2 | 1.2 | 7.9 | 7.0 | 4.4 | 5.4 | 1.0               | 100     |



印刷電路板導槽 PCB GUIDE RAIL 11-13-1

- MATERIAL: NYLON 66(UL)
- FLAME CLASS: 94V-2
- COLOR: NATURAL
- NO EXTRA SCREW NEEDED

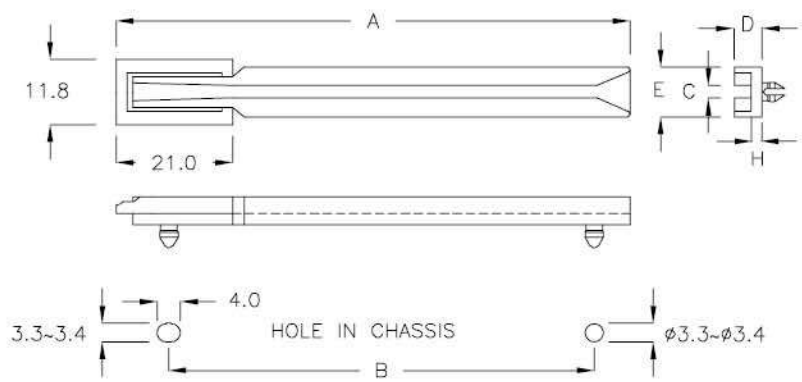


| PART NO | A    | B    | C    | D   | E     | MAXIMUM THICKNESS | PACKAGE |
|---------|------|------|------|-----|-------|-------------------|---------|
| CG-5K   | 50.0 | 30.0 | 7.75 | 5.0 | 10.75 | 1.0               | 200     |

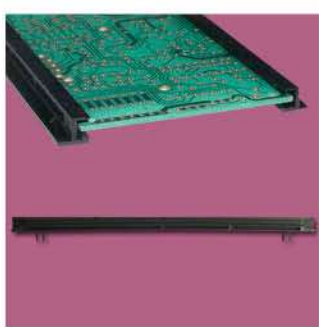


印刷電路板導槽 PCB GUIDE RAIL 11-13-2

- MATERIAL: PC(UL)
- FLAME CLASS: 94V-2
- COLOR: BLACK
- NO EXTRA SCREW NEEDED

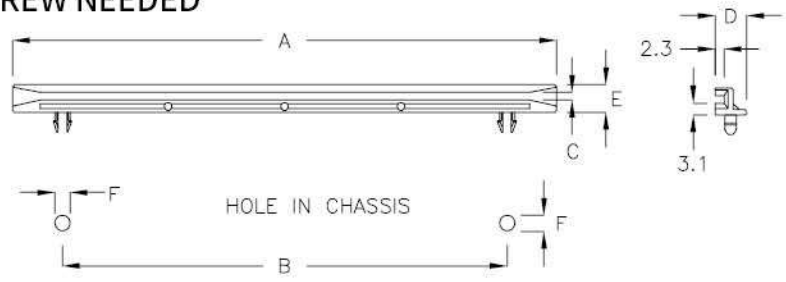


| PART NO | A    | B    | C   | D   | E   | H   | MAXIMUM THICKNESS | PACKAGE |
|---------|------|------|-----|-----|-----|-----|-------------------|---------|
| CG-09H  | 91.0 | 76.7 | 2.2 | 5.0 | 9.0 | 2.0 | 1.2               | 100     |
| CG-09J  | 99.5 | 76.7 | 2.2 | 5.0 | 9.0 | 2.0 | 1.2               |         |
| CG-09C  | 72.6 | 50.0 | 1.9 | 5.0 | 9.0 | 2.0 | 1.0               |         |

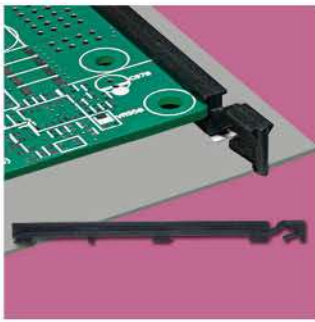


印刷電路板導槽 PCB GUIDE RAIL 11-13-3

- MATERIAL: NYLON 66(UL)
- FLAME CLASS: 94V-2
- COLOR: BLACK
- NO EXTRA SCREW NEEDED

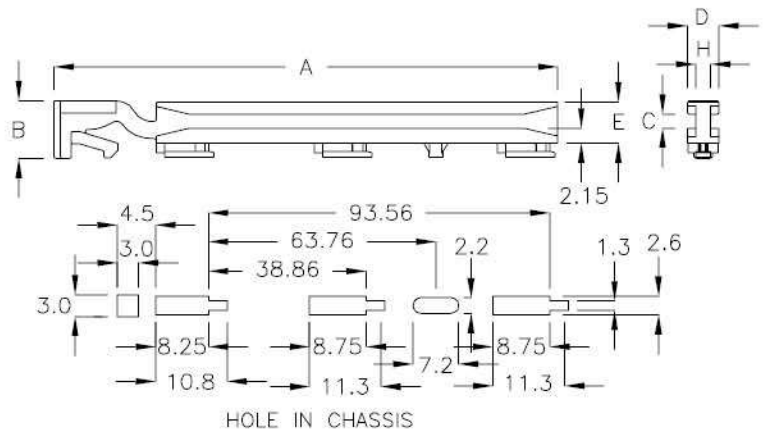


| PART NO | A     | B     | C   | D   | E   | F          | MAXIMUM THICKNESS | PACKAGE |
|---------|-------|-------|-----|-----|-----|------------|-------------------|---------|
| CG-14H  | 140.0 | 114.5 | 1.9 | 8.0 | 7.0 | $\phi 4.4$ | 1.5               | 100     |



印刷電路板導槽 PCB GUIDE RAIL 11-14-1

- MATERIAL: NYLON 66(UL)
- FLAME CLASS: 94V-0
- COLOR: BLACK
- NO EXTRA SCREW NEEDED

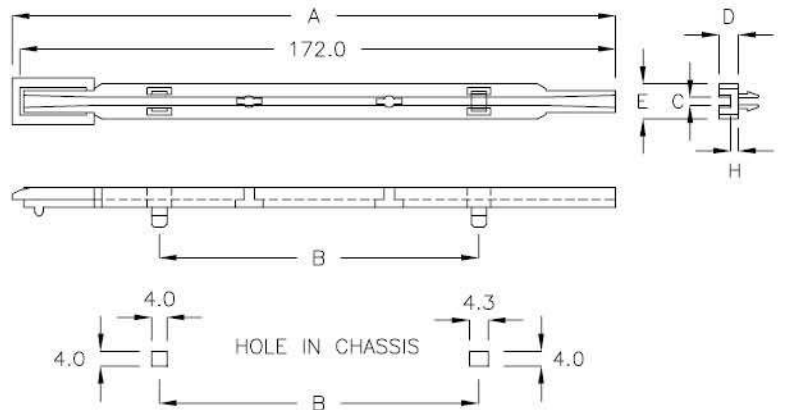


| PART NO   | A     | B   | C   | D   | E   | H   | MAXIMUM THICKNESS | PACKAGE |
|-----------|-------|-----|-----|-----|-----|-----|-------------------|---------|
| CGL-116JS | 116.9 | 8.0 | 2.0 | 4.5 | 5.9 | 2.1 | 0.8               | 100     |



印刷電路板導槽 PCB GUIDE RAIL 11-14-2

- MATERIAL: PC(UL)
- FLAME CLASS: 94V-2
- COLOR: BLACK
- NO EXTRA SCREW NEEDED

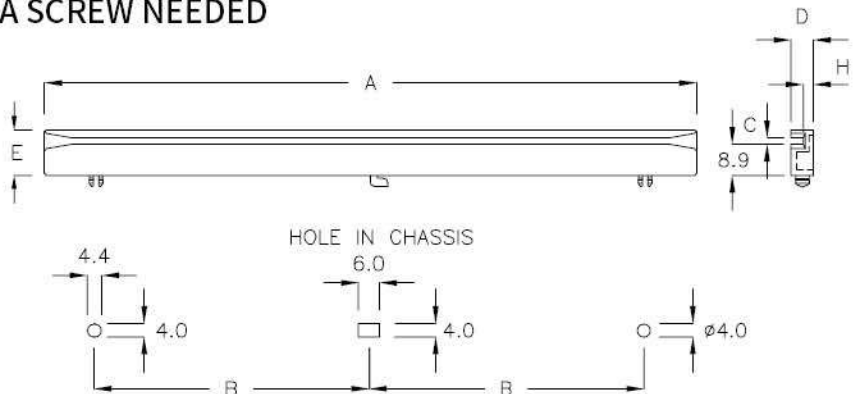


| PART NO | A     | B     | C   | D   | E   | H   | MAXIMUM THICKNESS | PACKAGE |
|---------|-------|-------|-----|-----|-----|-----|-------------------|---------|
| CG-17A  | 175.0 | 102.0 | 2.2 | 5.0 | 9.0 | 2.0 | 1.6               | 100     |

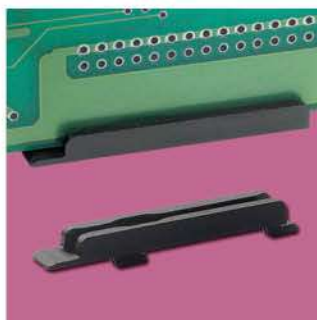


印刷電路板導槽 PCB GUIDE RAIL 11-14-3

- MATERIAL: NYLON 66(UL)
- FLAME CLASS: 94V-2
- COLOR: BLACK
- NO EXTRA SCREW NEEDED



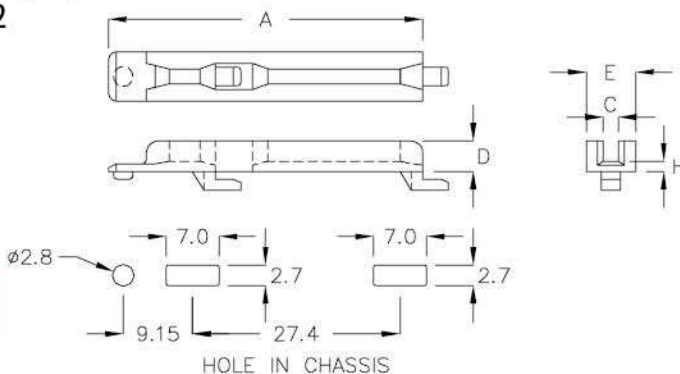
| PART NO | A     | B    | C   | D   | E    | H   | MAXIMUM THICKNESS | PACKAGE |
|---------|-------|------|-----|-----|------|-----|-------------------|---------|
| CG-19C  | 190.0 | 80.0 | 2.0 | 6.4 | 13.1 | 3.1 | 1.1               | 100     |



印刷電路板導槽 PCB GUIDE RAIL 11-15-1

- MATERIAL: NYLON 66(UL)
- FLAME CLASS: 94V-2
- COLOR: BLACK

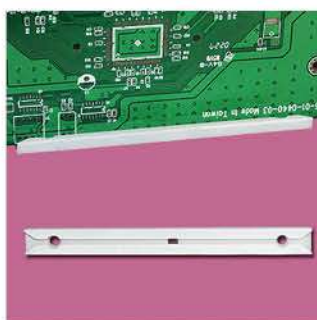
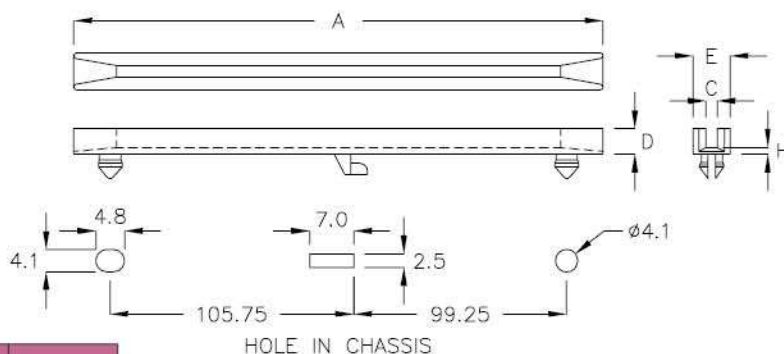
| PART NO | A    | C   | D   | E   | H   | CHASSIS THICKNESS | PACKAGE |
|---------|------|-----|-----|-----|-----|-------------------|---------|
| CG-04FN | 41.5 | 2.0 | 4.0 | 6.5 | 1.3 | 0.8               | 200     |



印刷電路板導槽 PCB GUIDE RAIL 11-15-2

- MATERIAL: NYLON 66(UL)
- FLAME CLASS: 94V-2
- COLOR: BLACK
- NO EXTRA SCREW NEEDED

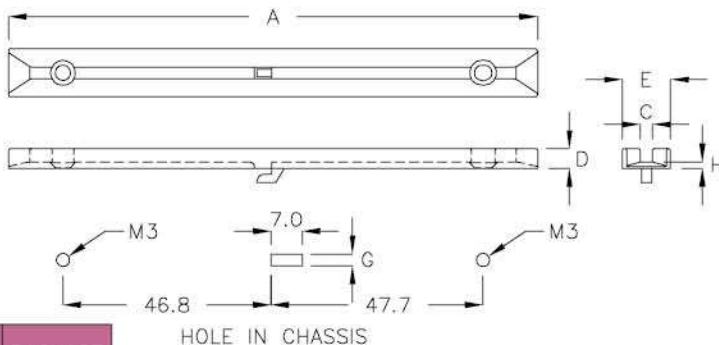
| PART NO | A     | C    | D   | E   | H   | MAXIMUM THICKNESS | PACKAGE |
|---------|-------|------|-----|-----|-----|-------------------|---------|
| CG-21C  | 218.0 | 1.85 | 4.7 | 6.6 | 1.3 | 1.5               | 100     |



印刷電路板導槽 PCB GUIDE RAIL 11-15-3

- MATERIAL: NYLON 66(UL)
- FLAME CLASS: 94V-2
- COLOR: NATURAL

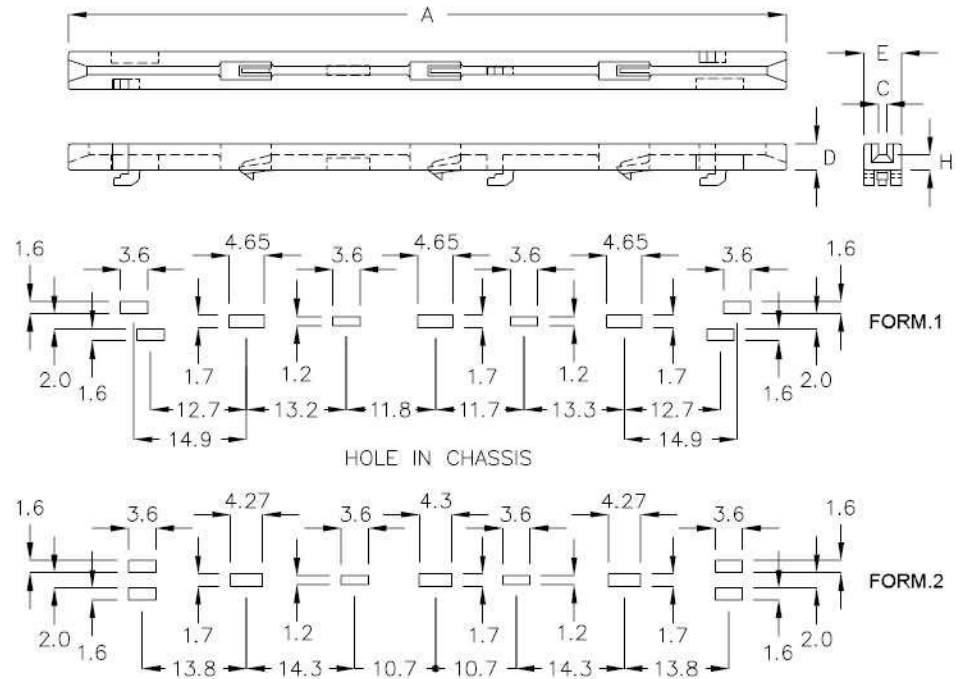
| PART NO | A     | C   | D   | E    | G   | H   | MAXIMUM THICKNESS | PACKAGE |
|---------|-------|-----|-----|------|-----|-----|-------------------|---------|
| CG-12AT | 119.0 | 2.6 | 4.5 | 10.8 | 2.1 | 1.5 | 1.0               | 100     |
| CG-12BG | 119.0 | 3.2 | 4.5 | 10.8 | 2.7 | 1.5 | 1.0               |         |





印刷電路板導槽 PCB GUIDE RAIL 11-16-1

- MATERIAL: NYLON 66(UL)
- FLAME CLASS: 94V-0
- COLOR: BLACK

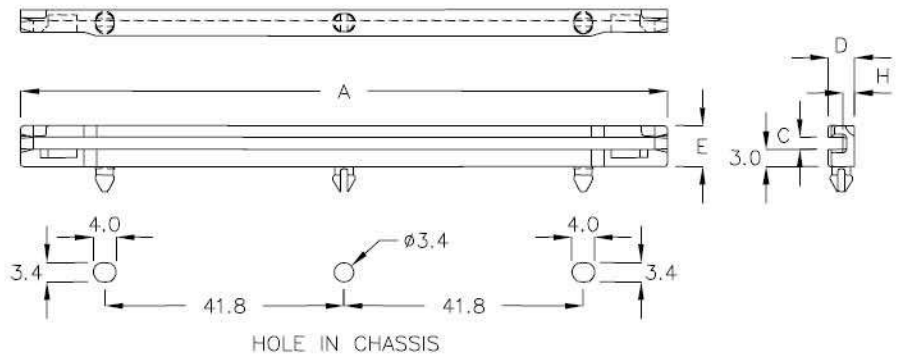


| PART NO  | A    | C   | D   | E   | H   | CHASSIS THICKNESS | FORM | PACKAGE |
|----------|------|-----|-----|-----|-----|-------------------|------|---------|
| CGJ-95RY | 95.0 | 1.1 | 3.5 | 5.0 | 2.0 | 0.5               | 1    | 100     |
|          |      |     |     |     |     | 0.8~1.0           | 2    |         |



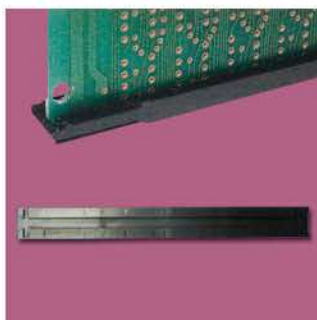
印刷電路板導槽 PCB GUIDE RAIL 11-16-2

- MATERIAL: NYLON 66(UL)
- FLAME CLASS: 94V-2
- COLOR: BLACK
- NO EXTRA SCREW NEEDED



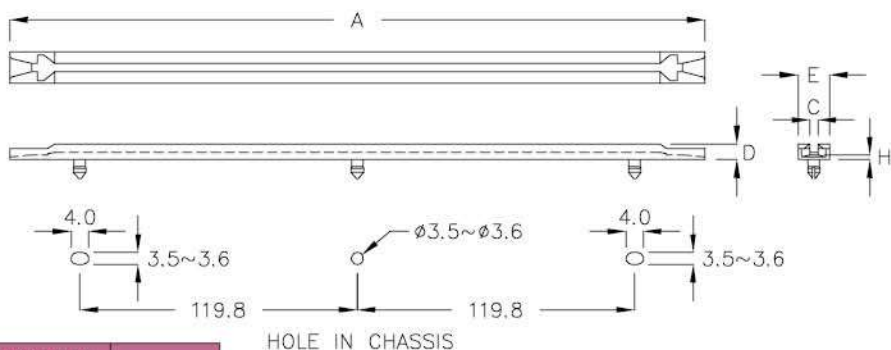
| PART NO  | A     | C   | D   | E   | H   | MAXIMUM THICKNESS | PACKAGE |
|----------|-------|-----|-----|-----|-----|-------------------|---------|
| CGT-113F | 113.0 | 2.1 | 4.6 | 7.1 | 2.0 | 1.6               | 100     |





印刷電路板導槽 PCB GUIDE RAIL 11-17-1

- MATERIAL: PC(UL)
- FLAME CLASS: 94V-2
- COLOR: BLACK
- NO EXTRA SCREW NEEDED

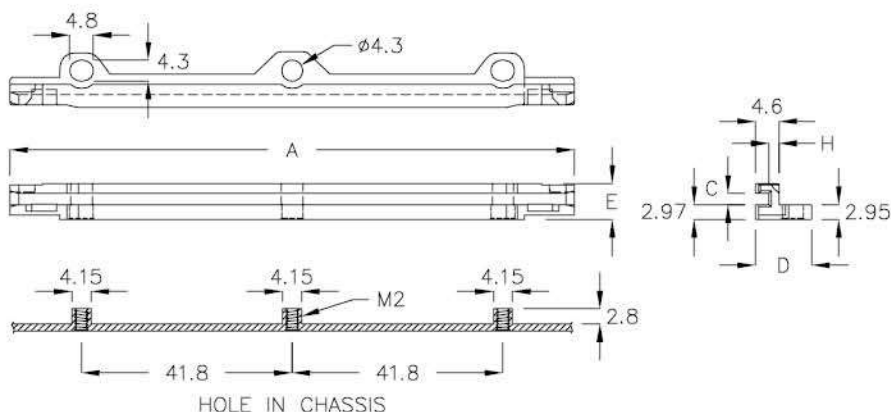


| PART NO | A     | C    | D   | E   | H   | MAXIMUM THICKNESS | PACKAGE |
|---------|-------|------|-----|-----|-----|-------------------|---------|
| CG-28A  | 280.0 | 2.35 | 4.5 | 9.0 | 2.0 | 1.7               | 100     |



印刷電路板導槽 PCB GUIDE RAIL 11-17-2

- MATERIAL: NYLON 66(UL)
- FLAME CLASS: 94V-0
- COLOR: BLACK

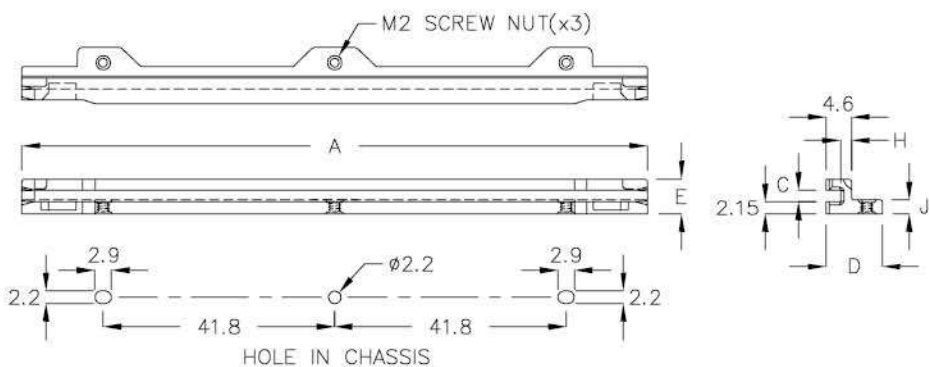


| PART NO  | A     | C    | D    | E    | H   | PACKAGE |
|----------|-------|------|------|------|-----|---------|
| CGW-112A | 112.0 | 2.25 | 11.1 | 7.16 | 2.0 | 100     |



印刷電路板導槽 PCB GUIDE RAIL 11-17-3

- MATERIAL: ABS+PC(UL)
- FLAME CLASS: 94V-0
- COLOR: BLACK
- USE M2 SCREW

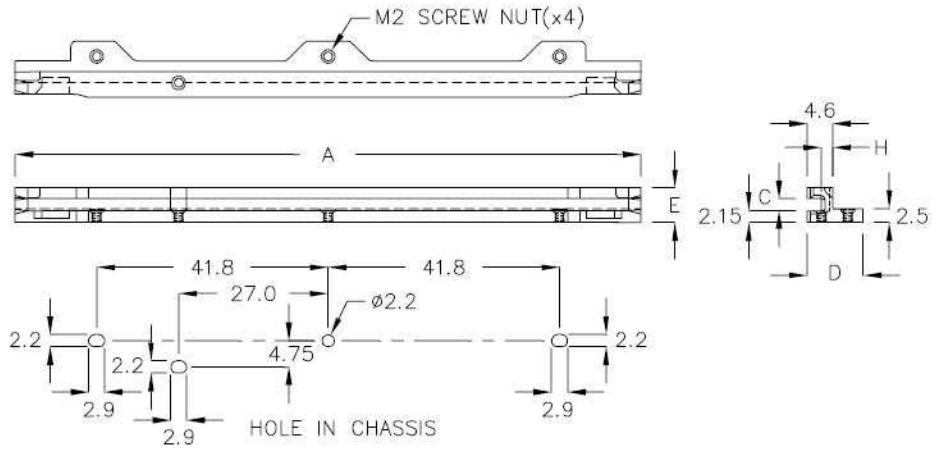


| PART NO   | A     | C   | D    | E    | J   | H   | PACKAGE |
|-----------|-------|-----|------|------|-----|-----|---------|
| CGZ-113AT | 113.0 | 2.1 | 10.1 | 6.25 | 2.0 | 2.0 | 100     |
| CGZ-113K  | 113.0 | 2.1 | 10.1 | 6.25 | 2.5 | 2.0 |         |



印刷電路板導槽 PCB GUIDE RAIL 11-18-1

- MATERIAL: ABS+PC(UL)
- FLAME CLASS: 94V-0
- COLOR: BLACK
- USE M2 SCREW

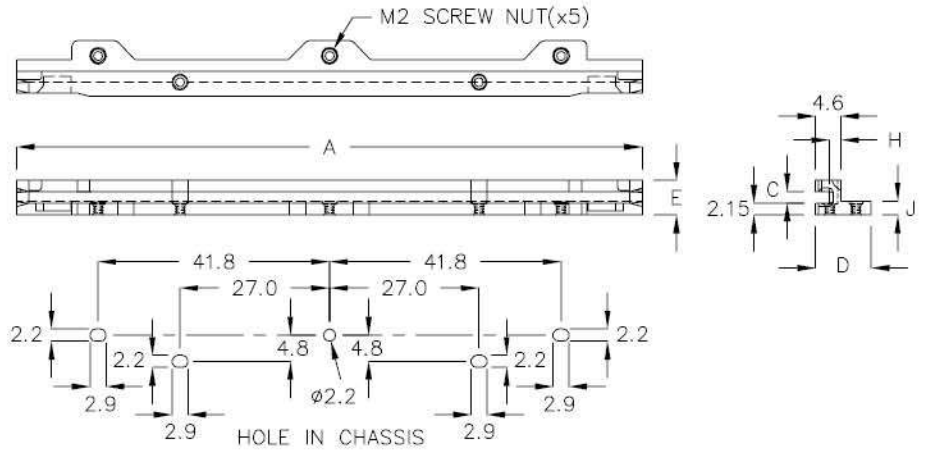


| PART NO   | A     | C   | D    | E    | H   | PACKAGE |
|-----------|-------|-----|------|------|-----|---------|
| CGZ-113NR | 113.0 | 2.1 | 10.1 | 6.25 | 2.0 | 100     |



印刷電路板導槽 PCB GUIDE RAIL 11-18-2

- MATERIAL: ABS+PC(UL)
- FLAME CLASS: 94V-0
- COLOR: BLACK
- USE M2 SCREW

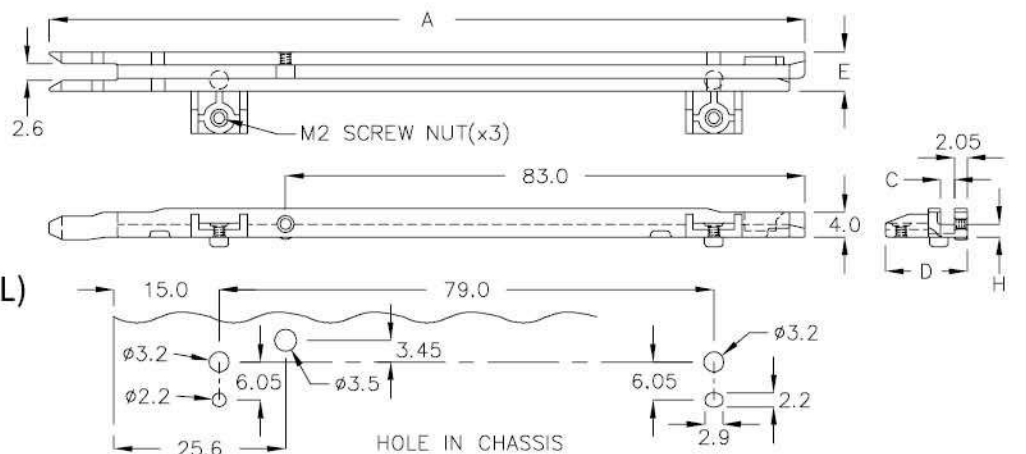


| PART NO   | A     | C   | D    | E    | J   | H   | PACKAGE |
|-----------|-------|-----|------|------|-----|-----|---------|
| CGZ-113TY | 113.0 | 2.1 | 10.1 | 6.25 | 2.0 | 2.0 | 100     |
| CGZ-113FL | 113.0 | 2.1 | 10.1 | 6.25 | 2.5 | 2.0 |         |



印刷電路板導槽 PCB GUIDE RAIL 11-18-3

- MATERIAL: ABS+PC(UL)
- FLAME CLASS: 94V-0
- COLOR: BLACK
- USE M2 SCREW

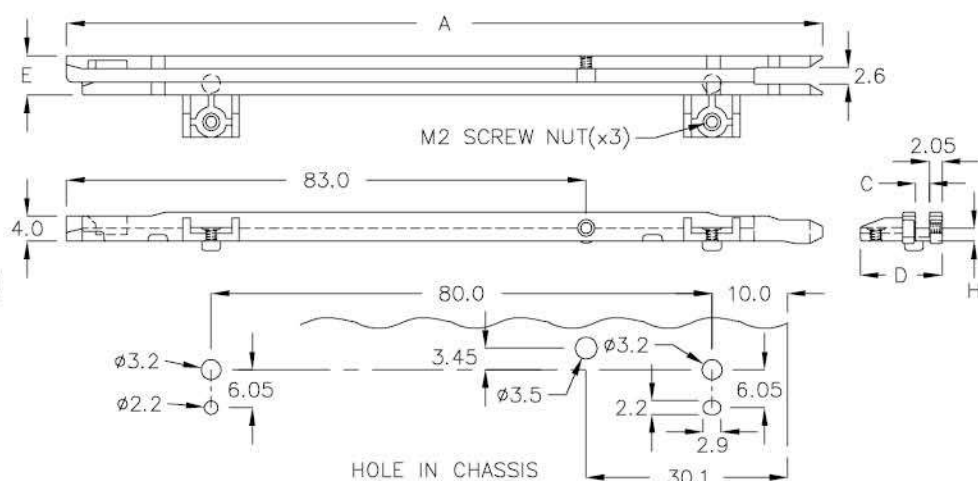


| PART NO   | A     | C   | D     | E    | H   | PACKAGE |
|-----------|-------|-----|-------|------|-----|---------|
| CGZA-120L | 120.7 | 2.2 | 13.05 | 6.25 | 2.0 | 100     |

印刷電路板導槽 PCB GUIDE RAIL 11-19-1



- MATERIAL: ABS+PC(UL)
- FLAME CLASS: 94V-0
- COLOR: BLACK
- USE M2 SCREW

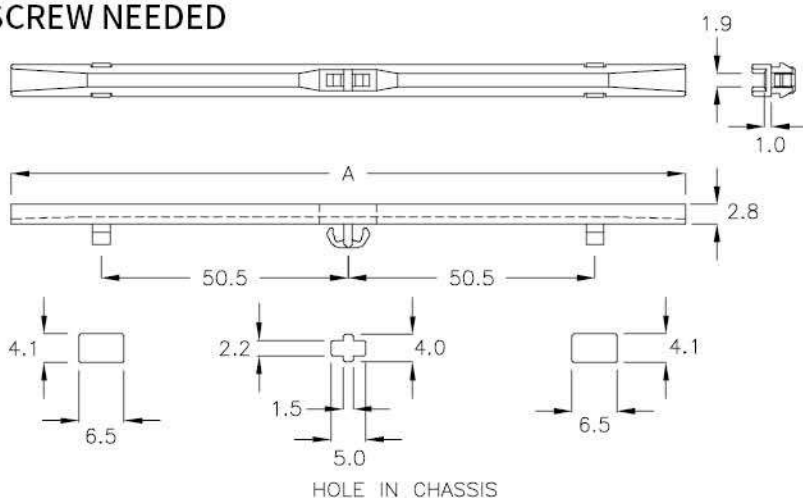


| PART NO   | A     | C   | D     | E    | H   | PACKAGE |
|-----------|-------|-----|-------|------|-----|---------|
| CGZA-120R | 120.7 | 2.2 | 13.05 | 6.25 | 2.0 | 100     |

印刷電路板導槽 PCB GUIDE RAIL 11-19-2

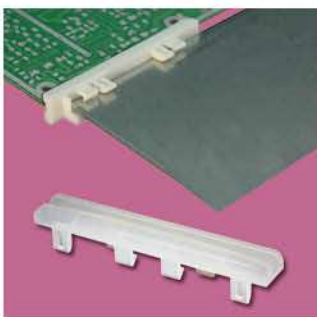


- MATERIAL: NYLON 66(UL)
- FLAME CLASS: 94V-2
- COLOR: BLACK
- NO EXTRA SCREW NEEDED

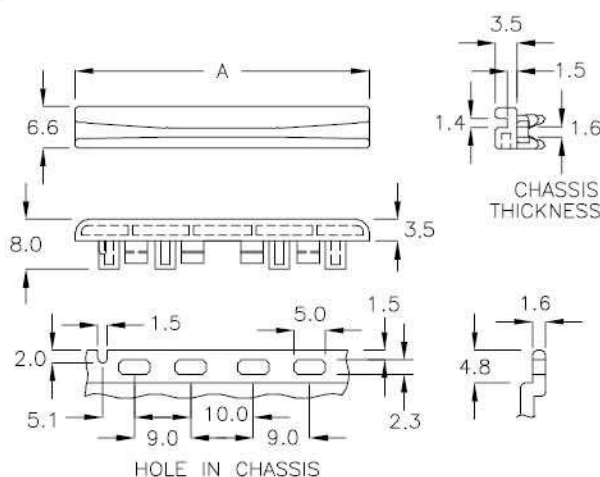


| PART NO | A     | MAXIMUM THICKNESS | PACKAGE |
|---------|-------|-------------------|---------|
| CGB-127 | 127.0 | 1.0               | 100     |

印刷電路板導槽 PCB GUIDE RAIL 11-19-3



- MATERIAL: NYLON 66(UL)
- FLAME CLASS: 94V-2
- COLOR: NATURAL



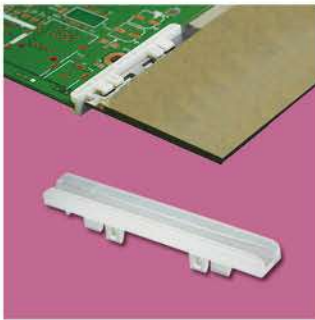
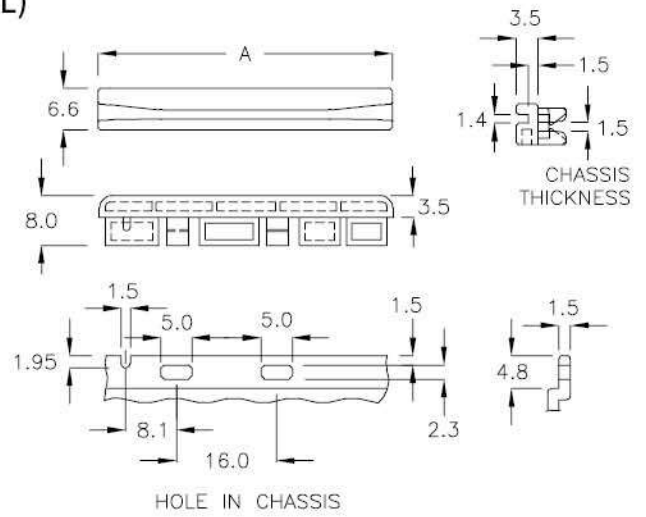
| PART NO | A    | PACKAGE |
|---------|------|---------|
| CGM-47  | 47.0 | 200     |



印刷電路板導槽 PCB GUIDE RAIL 11-20-1

- MATERIAL: NYLON 66(UL)
- FLAME CLASS: 94V-2
- COLOR: NATURAL

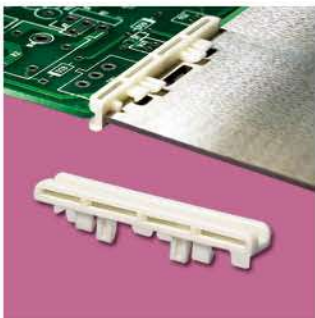
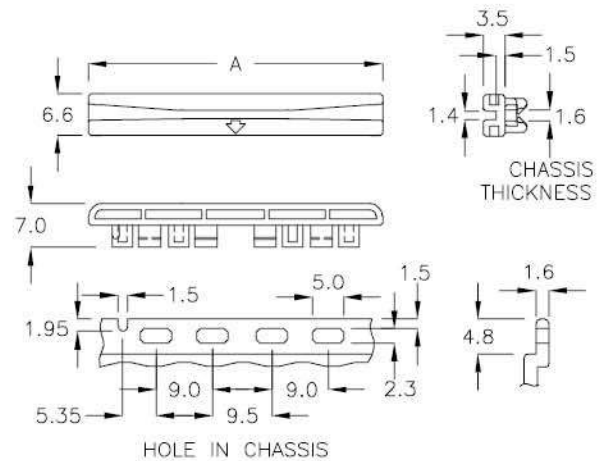
| PART NO  | A    | PACKAGE |
|----------|------|---------|
| CGM-47SJ | 47.0 | 200     |



印刷電路板導槽 PCB GUIDE RAIL 11-20-2

- MATERIAL: NYLON 66(UL)
- FLAME CLASS: 94V-2
- COLOR: NATURAL

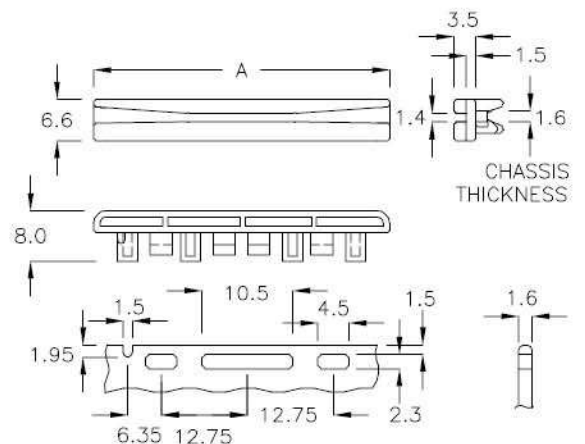
| PART NO  | A    | PACKAGE |
|----------|------|---------|
| CGM-47YK | 47.0 | 200     |

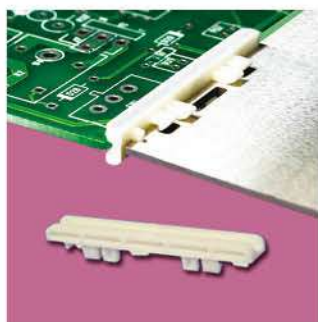


印刷電路板導槽 PCB GUIDE RAIL 11-20-3

- MATERIAL: NYLON 66(UL)
- FLAME CLASS: 94V-2
- COLOR: NATURAL

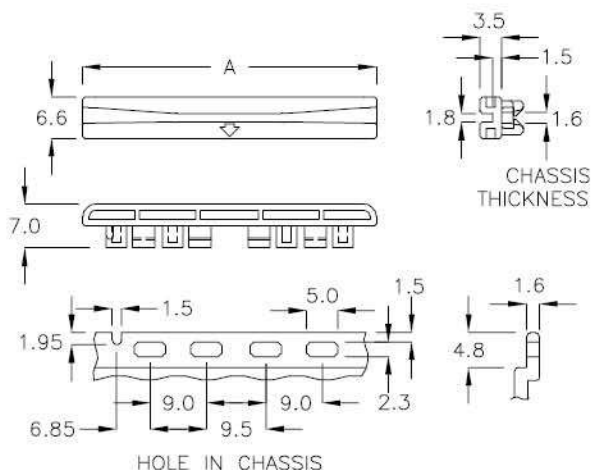
| PART NO  | A    | PACKAGE |
|----------|------|---------|
| CGM-47DK | 47.0 | 200     |



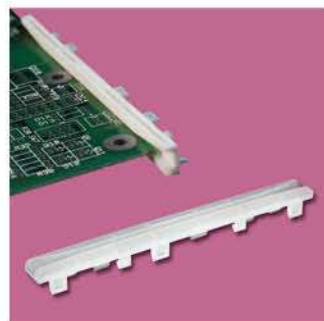


印刷電路板導槽 PCB GUIDE RAIL 11-21-1

- MATERIAL: NYLON 66(UL)
- FLAME CLASS: 94V-2
- COLOR: NATURAL

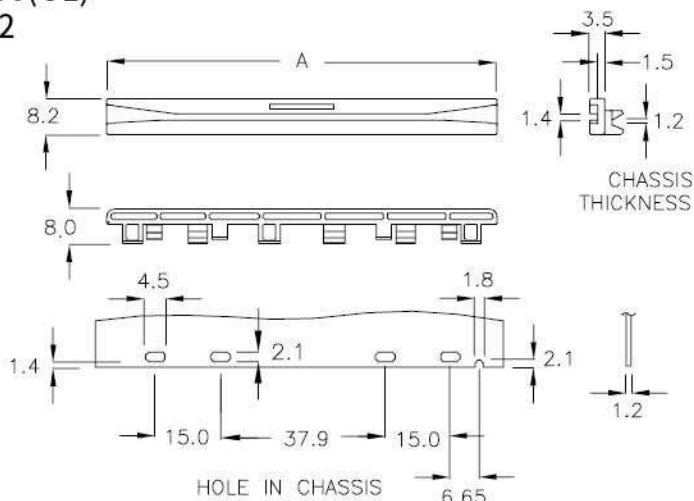


| PART NO  | A    | PACKAGE |
|----------|------|---------|
| CGM-50RT | 50.0 | 200     |

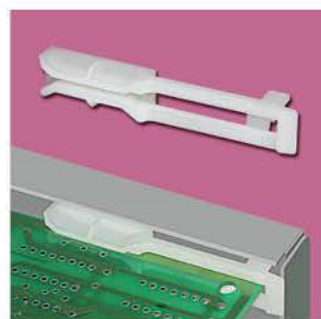


印刷電路板導槽 PCB GUIDE RAIL 11-21-2

- MATERIAL: NYLON 66(UL)
- FLAME CLASS: 94V-2
- COLOR: NATURAL

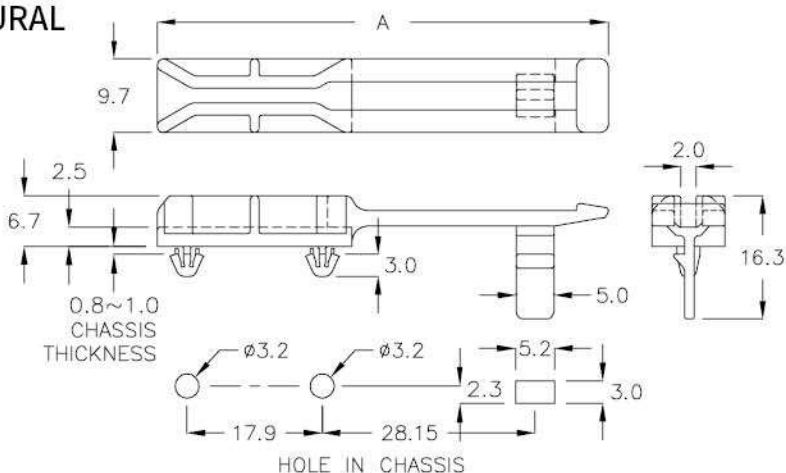


| PART NO | A    | PACKAGE |
|---------|------|---------|
| CGM-90  | 90.0 | 200     |



印刷電路板導槽 PCB GUIDE RAIL 11-21-3

- MATERIAL: NYLON 66(UL)
- FLAME CLASS: 94V-2
- COLOR: NATURAL



| PART NO  | A    | PACKAGE |
|----------|------|---------|
| CGH-60PL | 59.7 | 200     |

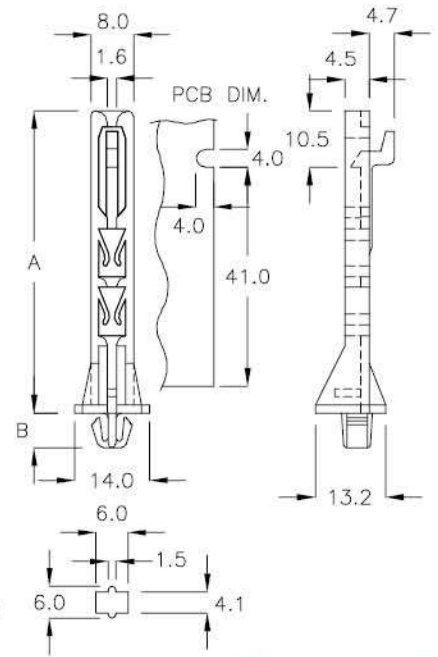


直立式導槽 PCB GUIDE RAIL

11-22-1

- MATERIAL: NYLON 66(UL)
- FLAME CLASS: 94V-2
- COLOR: NATURAL
- NO EXTRA SCREW NEEDED

| PART NO | A    | B   | PACKAGE |
|---------|------|-----|---------|
| HCG-5   | 56.5 | 6.5 | 200     |



HOLE IN CHASSIS  
MAXIMUM THICKNESS:1.6mm

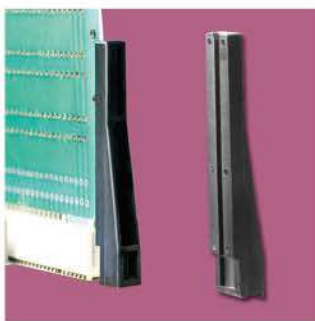
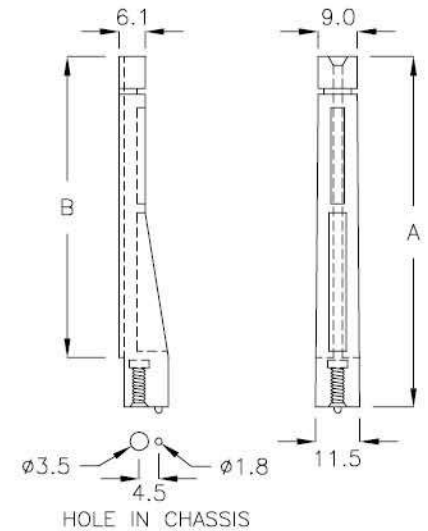
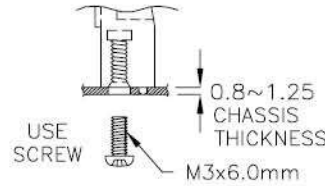


直立式導槽 PCB GUIDE RAIL

11-22-2

- MATERIAL: NYLON 66(UL)
- FLAME CLASS: 94V-2
- COLOR: WHITE

| PART NO | A     | B     | PACKAGE |
|---------|-------|-------|---------|
| HCG-9   | 89.2  | 77.2  | 50      |
| HCG-13  | 130.0 | 118.5 |         |

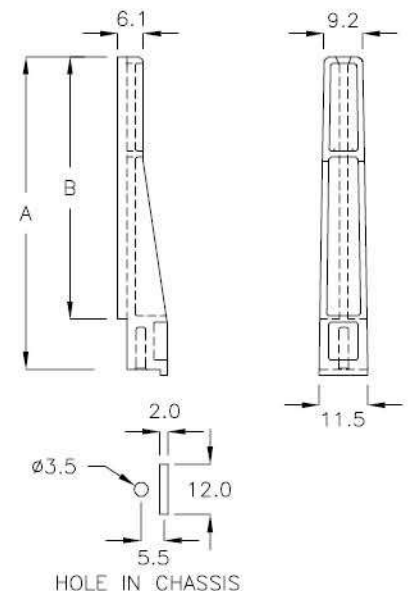


直立式導槽 PCB GUIDE RAIL

11-22-3

- MATERIAL: NYLON 66(UL)
- FLAME CLASS: 94V-2
- COLOR: BLACK
- USE M3x8 TAPPING SCREW

| PART NO | A    | B    | PACKAGE |
|---------|------|------|---------|
| HCG-74A | 74.2 | 62.2 | 200     |



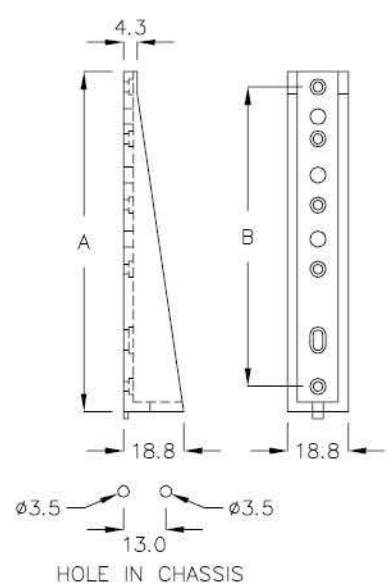


直立式導槽 PCB GUIDE RAIL | 11-23-1 |

- MATERIAL: NYLON 66(UL)
- FLAME CLASS: 94V-2
- COLOR: BLACK
- USE M3x10 TAPPING SCREW

| PART NO | A     | B    | PACKAGE |
|---------|-------|------|---------|
| HCG-10  | 105.0 | 92.0 | 200     |

ASSEMBLE WITH P.G PART CG-10B  
(Page 11-4-1)



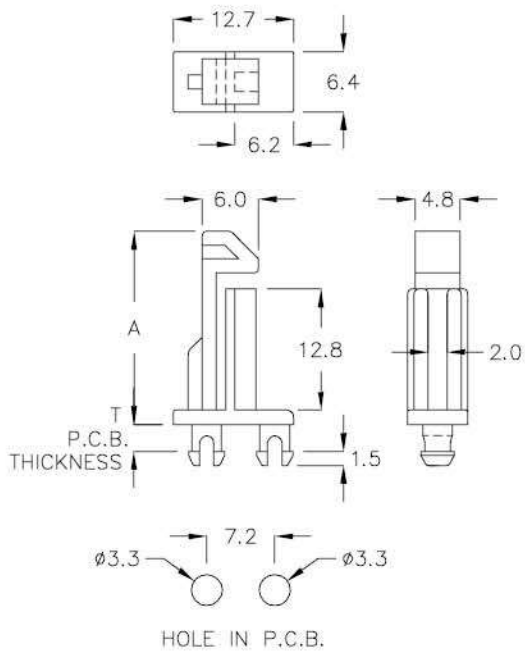
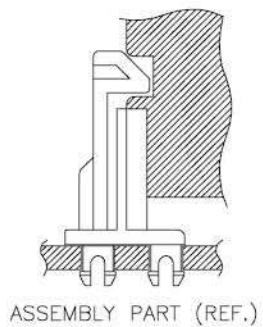
直立式導槽 PCB GUIDE RAIL | 11-23-2 |

- MATERIAL: NYLON 66(UL)
- FLAME CLASS: 94V-0
- COLOR: NATURAL

**NEW**

| PART NO    | A   | T<br>P.C.B.<br>THICKNESS | PACKAGE |
|------------|-----|--------------------------|---------|
| ★ HCGT-20A | 8.0 | 2.7                      | 200     |

★







# 12

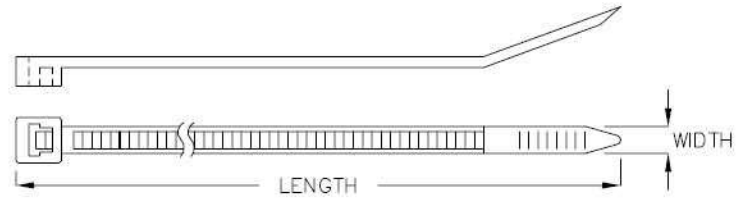


束線帶  
CABLE TIES

## 電線束線帶 CABLE TIE

12-2-1

- MATERIAL: NYLON 66(UL)
- FLAME CLASS: 94V-2
- COLOR: NATURAL

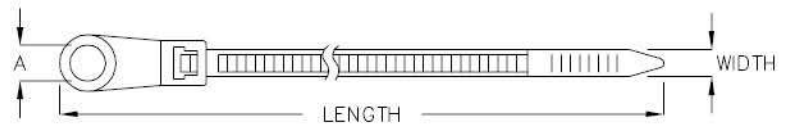
SUGGEST: MIN BUNDLE DIA  $\phi$ 5.0

| PART NO | APPROX LENGTH mm(in) | APPROX WIDTH mm(in) | MAX BUNDLE DIA mm(in) | MIN. LOOP TENSILE STRENGTH kgs(Lbs) | PACKAGE |
|---------|----------------------|---------------------|-----------------------|-------------------------------------|---------|
| YJ-80   | 80(3.15")            | 2.2(0.08")          | 17(0.67")             | 8(18)                               | 1000    |
| YJ-90   | 90(3.54")            | 2.5(0.10")          | 21(0.83")             |                                     |         |
| YJ-98   | 98(3.86")            |                     | 22(0.87")             |                                     |         |
| YJ-100  | 100(4.00")           |                     | 23(0.91")             |                                     |         |
| YJ-115  | 115(4.53")           | 4.8(0.19")          | 29(1.15")             | 23(50)                              | 500     |
| YJ-120  | 120(4.72")           | 2.5(0.10")          | 30(1.18")             | 8(18)                               | 1000    |
| YJ-140  | 140(5.50")           | 4.8(0.19")          | 34(1.34")             | 23(50)                              | 500     |
| YJ-142  | 142(5.59")           | 3.6(0.14")          |                       | 18(40)                              |         |
| YJ-142S | 142(5.59")           | 2.5(0.10")          | 36(1.42")             | 8(18)                               | 1000    |
| YJ-160  | 160(6.30")           |                     | 42(1.66")             |                                     |         |
| YJ-203  | 203(8.00")           | 3.6(0.14")          | 55(2.17")             | 18(40)                              | 500     |
| YJ-203S | 203(8.00")           | 2.5(0.10")          | 56(2.21")             | 8(18)                               | 1000    |

## 電線束線帶 SCREW-ON CABLE TIE

12-2-2

- MATERIAL: NYLON 66(UL)
- FLAME CLASS: 94V-2
- COLOR: NATURAL

SUGGEST: MIN BUNDLE DIA  $\phi$ 10.0

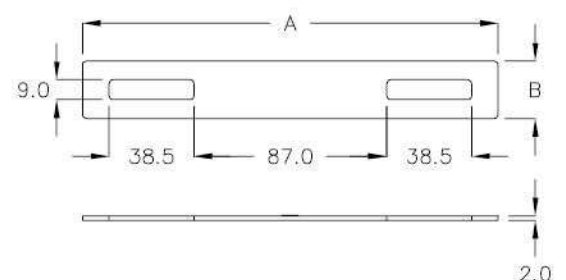
| PART NO | APPROX LENGTH mm(in) | APPROX WIDTH mm(in) | MAX BUNDLE DIA mm(in) | A          | PACKAGE |
|---------|----------------------|---------------------|-----------------------|------------|---------|
| YJ-156  | 156(6.14")           | 3.6(0.14")          | 34(1.33")             | $\phi$ 4.3 | 500     |
| YJ-205  | 205(8.00")           | 4.8(0.19")          | 51(2.01")             | $\phi$ 5.5 |         |



## 把手座 HANDLE MOUNTING PLATE

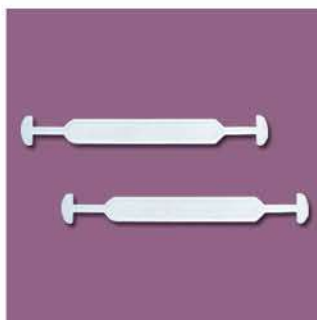
12-2-3

- MATERIAL: PE
- COLOR: BLACK



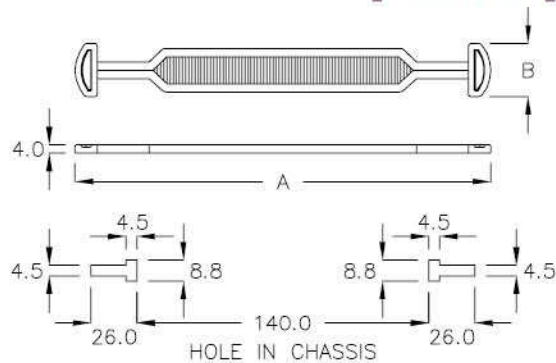
| PART NO   | A     | B    | PACKAGE |
|-----------|-------|------|---------|
| BSTH-188F | 188.0 | 26.0 | 100     |

CAN BE USED AN OPTION P.G PART BST-07 (Page 12-3-1)



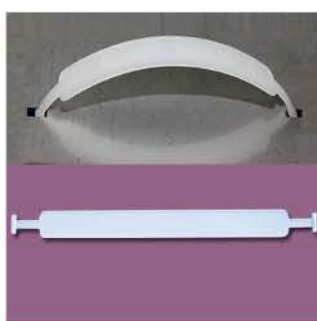
紙箱把手 PULLER | 12-3-1 |

- MATERIAL: PE
- COLOR: WHITE



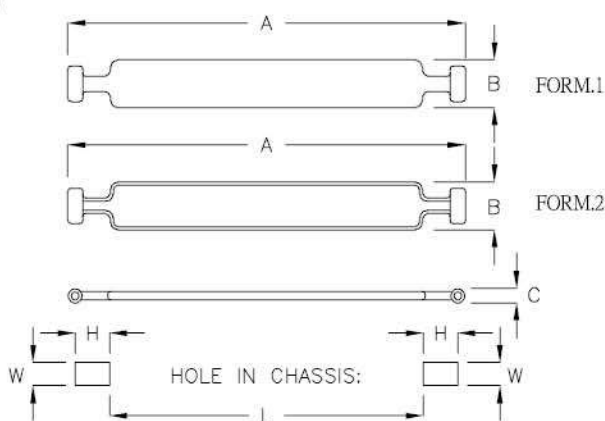
| PART NO | A     | B    | PACKAGE |
|---------|-------|------|---------|
| BST-07  | 198.0 | 25.4 | 200     |

CAN BE USED AN OPTION P.G PART BSTH-188F (Page 12-2-3)



把手 PULLER | 12-3-2 |

- MATERIAL: NYLON 66(UL)
- FLAME CLASS: 94V-2
- COLOR: NATURAL

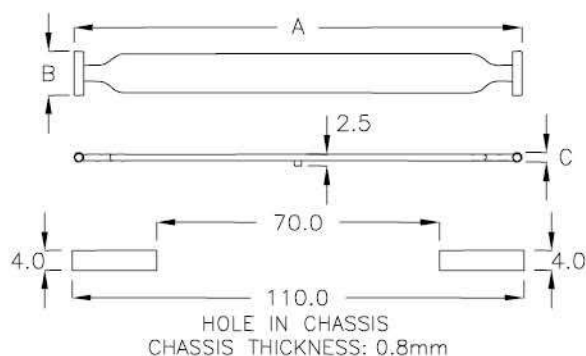


| PART NO | A     | B    | C    | H    | W   | L    | FORM | PACKAGE |
|---------|-------|------|------|------|-----|------|------|---------|
| BST-60A | 60.6  | 9.4  | ∅2.3 | 8.0  | 3.7 | 30.0 | 1    | 1000    |
| BST-70  | 70.0  | 8.0  | ∅2.0 | 7.0  | 4.0 | 46.0 | 1    | 500     |
| BST-8D  | 79.8  | 9.4  | ∅2.3 | 15.0 | 3.7 | 46.0 | 1    |         |
| BST-9A  | 90.5  | 9.4  | ∅2.3 | 7.0  | 3.8 | 60.5 | 2    |         |
| BST-120 | 120.0 | 11.9 | ∅2.3 | 9.2  | 6.0 | 80.0 | 2    |         |

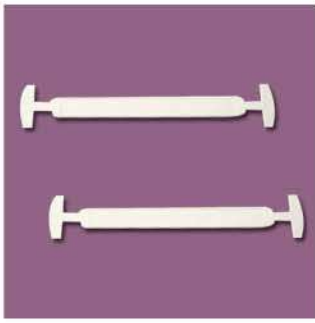


把手 PULLER | 12-3-3 |

- MATERIAL: NYLON 66(UL)
- FLAME CLASS: 94V-2
- COLOR: BLACK



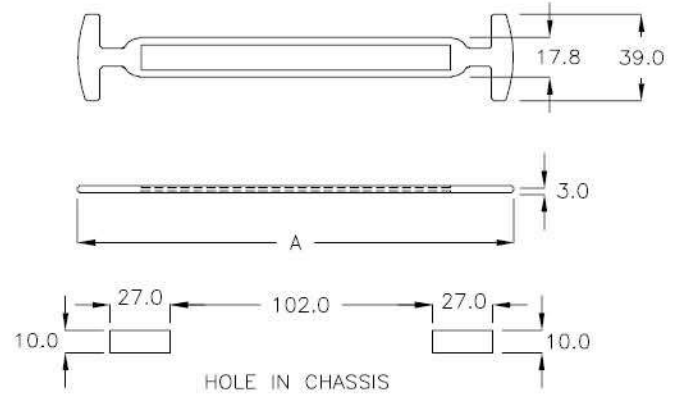
| PART NO  | A     | B   | C    | PACKAGE |
|----------|-------|-----|------|---------|
| BSX-110K | 110.6 | 9.0 | ∅2.0 | 500     |



## 把手 PULLER 12-4-1

- MATERIAL: NYLON 66(UL)
- FLAME CLASS: 94V-2
- COLOR: NATURAL

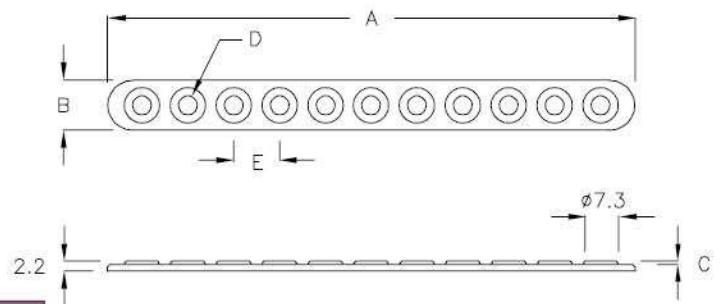
| PART NO  | A     | PACKAGE |
|----------|-------|---------|
| BST-180Q | 180.0 | 200     |



## 固定座 MOUNTING 12-4-2

- MATERIAL: NYLON 66(UL)
- FLAME CLASS: 94V-2
- COLOR: BLACK
- USE M4 SCREW

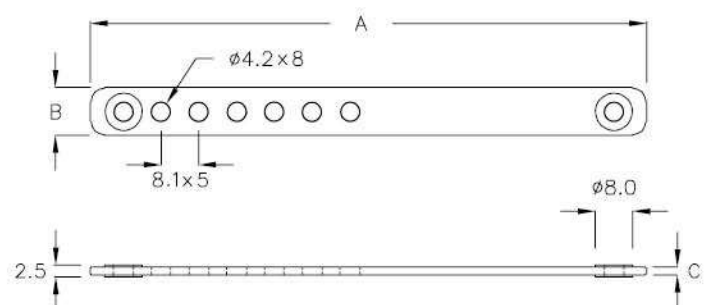
| PART NO | A     | B    | C   | D       | E       | PACKAGE |
|---------|-------|------|-----|---------|---------|---------|
| BSW-115 | 115.0 | 11.0 | 0.7 | ø4.3x11 | 10.0x10 | 500     |
| BSW-155 | 155.0 | 11.0 | 0.7 | ø4.3x15 | 10.0x14 |         |



## 固定座 MOUNTING 12-4-3

- MATERIAL: NYLON 66(UL)
- FLAME CLASS: 94V-2
- COLOR: BLACK
- USE M4 SCREW

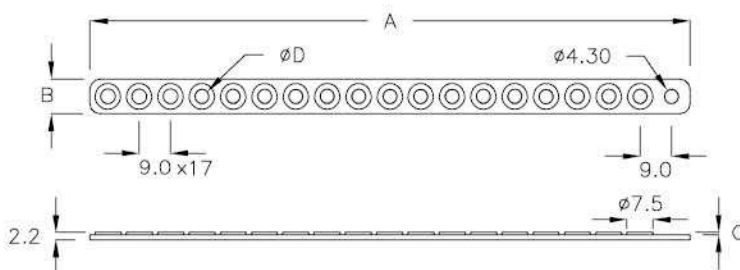
| PART NO | A     | B    | C   | PACKAGE |
|---------|-------|------|-----|---------|
| BSW-119 | 118.8 | 10.2 | 1.7 | 500     |





**固定座 MOUNTING** ————— | 12-5-1 |

- MATERIAL: NYLON 66(UL)
- FLAME CLASS: 94V-2
- COLOR: BLACK
- USE M4 SCREW

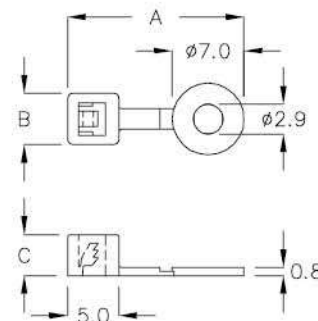
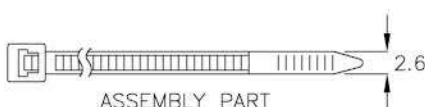


| PART NO | A     | B    | C   | D                    | PACKAGE |
|---------|-------|------|-----|----------------------|---------|
| BSW-172 | 172.7 | 10.0 | 0.7 | $\phi 4.3 \times 18$ | 500     |



**束線固定座 MOUNTING** ————— | 12-5-2 |

- MATERIAL: NYLON 66(UL)
- FLAME CLASS: 94V-2
- COLOR: BLACK



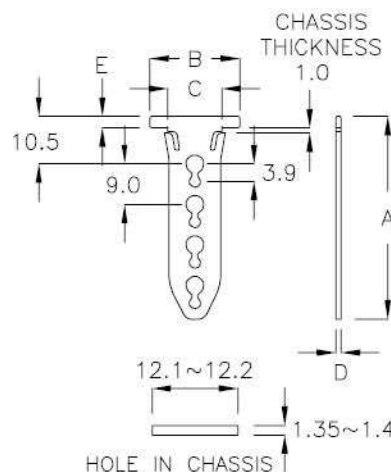
| PART NO | A    | B   | C   | ASSEMBLE WITH P.G. PART   | PACKAGE |
|---------|------|-----|-----|---|---------|
| YAD-01  | 17.2 | 5.0 | 4.0 | YJ-80, YJ-90, YJ-98<br>YJ-100, YJ-120, YJ-142S<br>YJ-160, YJ-203S | 2000    |

ASSEMBLE WITH P.G PART YJ-SERIES (Page 12-2-1)  
MUST BE ASSEMBLED WITH CABLE TIE, WIDTH UP TO 2.6mm



**電源線固定帶 CABLE TIE** ————— | 12-5-3 |

- MATERIAL: NYLON 66(UL)
- FLAME CLASS: 94V-2
- COLOR: BLACK



| PART NO | A    | B    | C    | D   | E   | PACKAGE |
|---------|------|------|------|-----|-----|---------|
| PSA-01  | 45.0 | 20.0 | 11.9 | 1.2 | 2.5 | 500     |

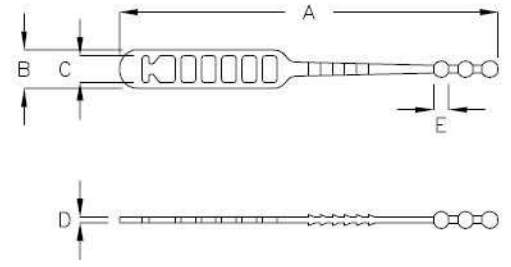
ASSEMBLE WITH P.G PART PSA-02 (Page 12-6-1)



## 電源線固定帶 CABLE TIE

12-6-1

- MATERIAL: NYLON 66(UL)
- FLAME CLASS: 94V-2
- COLOR: BLACK



| PART NO | A     | B   | C   | D   | E    | PACKAGE |
|---------|-------|-----|-----|-----|------|---------|
| PSA-02  | 78.25 | 8.0 | 5.6 | 1.2 | ∅3.5 | 500     |

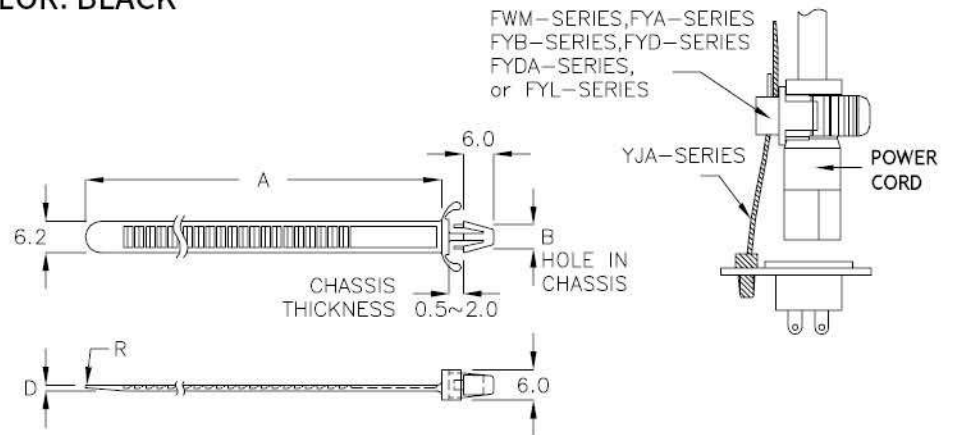
ASSEMBLE WITH P.G PART PSA-01 (Page 12-5-3)

## 電源線固定帶 CABLE TIE

12-6-2



- MATERIAL: NYLON 66(UL)
- FLAME CLASS: 94V-2
- COLOR: BLACK



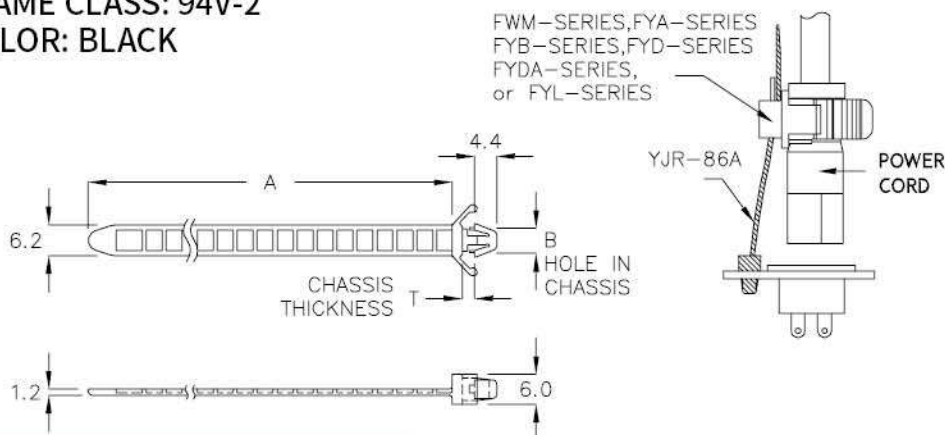
| PART NO  | A    | B<br>HOLE IN<br>CHASSIS | D   | R    | ASSEMBLE<br>WITH P.G. PART   | PACKAGE |
|----------|------|-------------------------|-----|------|--|---------|
| YJA-85   | 85.0 | ∅5.0                    | 1.2 | R0.1 | FWM-7GQ, FWM-8K<br>FWM-11A, FWM-11KN<br>FWM-15A, FWM-19M<br>FYA-15KC, FYA-15TR<br>FYB-15NK, FYD-13K<br>FYDA-13C, FYL-17C | 100     |
| YJA-85KT | 85.0 | ∅5.0                    | 1.2 | R0.4 |  |         |
| YJA-85PD | 85.0 | ∅5.0                    | 1.5 | R0.1 | FWM-11PH, FWM-15PD   |         |

ASSEMBLE WITH P.G PART FWM-SERIES, FYA-SERIES, FYB-SERIES, FYD-SERIES, FYDA-SERIES or FYL-SERIES (Page 12-14-2, 12-15, 12-16-2, 12-17-1)



電源線固定帶 CABLE TIE 12-7-1

- MATERIAL: NYLON 66(UL)
- FLAME CLASS: 94V-2
- COLOR: BLACK



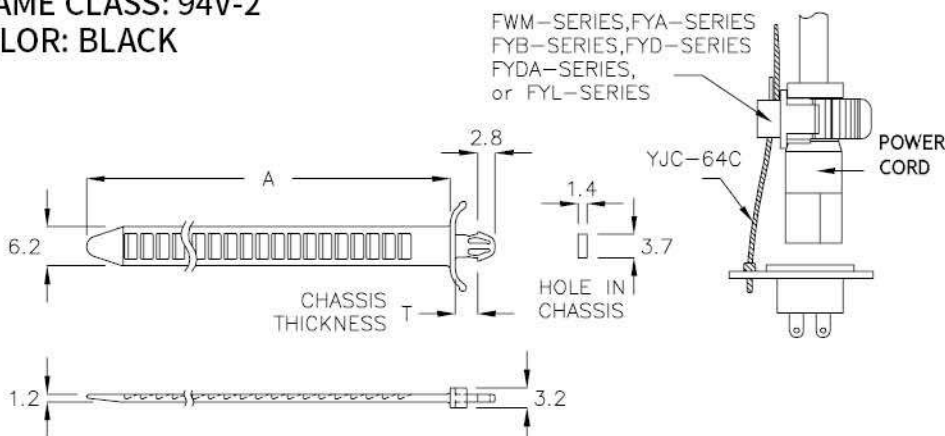
| PART NO | A     | B HOLE IN CHASSIS | T CHASSIS THICKNESS | ASSEMBLE WITH P.G. PART  | PACKAGE |
|---------|-------|-------------------|---------------------|--|---------|
| YJR-86A | 86.75 | ø5.0              | 0.8~2.0             | FWM-7GQ, FWM-8K<br>FWM-11A, FWM-11KN<br>FWM-15A, FWM-19M<br>FYA-15KC, FYA-15TR<br>FYB-15NK, FYD-13K<br>FYDA-13C, FYL-17C | 100     |

ASSEMBLE WITH P.G. PART FWM-SERIES, FYA-SERIES, FYB-SERIES, FYD-SERIES, FYDA-SERIES or FYL-SERIES (Page 12-14-2, 12-15, 12-16-2, 12-17-1)



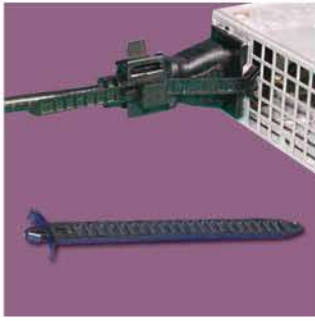
電源線固定帶 CABLE TIE 12-7-2

- MATERIAL: NYLON 66(UL)
- FLAME CLASS: 94V-2
- COLOR: BLACK



| PART NO | A    | T CHASSIS THICKNESS | ASSEMBLE WITH P.G. PART  | PACKAGE |
|---------|------|---------------------|--|---------|
| YJC-64C | 64.2 | 1.8~2.8             | FWM-7GQ, FWM-8K<br>FWM-11A, FWM-11KN<br>FWM-15A, FWM-19M<br>FYA-15KC, FYA-15TR<br>FYB-15NK, FYD-13K<br>FYDA-13C, FYL-17C | 500     |

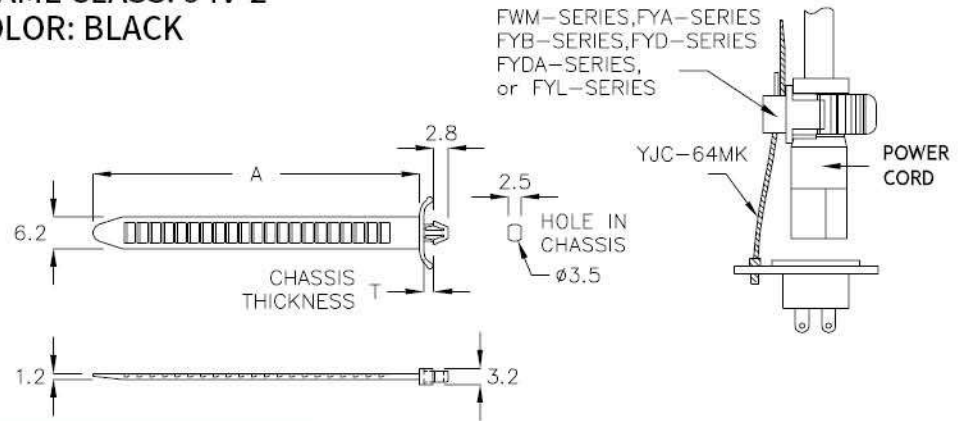
ASSEMBLE WITH P.G. PART FWM-SERIES, FYA-SERIES, FYB-SERIES, FYD-SERIES, FYDA-SERIES or FYL-SERIES (Page 12-14-2, 12-15, 12-16-2, 12-17-1)



## 電源線固定帶 CABLE TIE

12-8-1

- MATERIAL: NYLON 66(UL)
- FLAME CLASS: 94V-2
- COLOR: BLACK



| PART NO  | A    | T<br>CHASSIS<br>THICKNESS | ASSEMBLE<br>WITH P.G. PART   | PACKAGE |
|----------|------|---------------------------|--|---------|
| YJC-64MK | 64.2 | 1.0~1.4                   | FWM-7GQ, FWM-8K<br>FWM-11A, FWM-11KN<br>FWM-15A, FWM-19M<br>FYA-15KC, FYA-15TR<br>FYB-15NK, FYD-13K<br>FYDA-13C, FYL-17C | 500     |

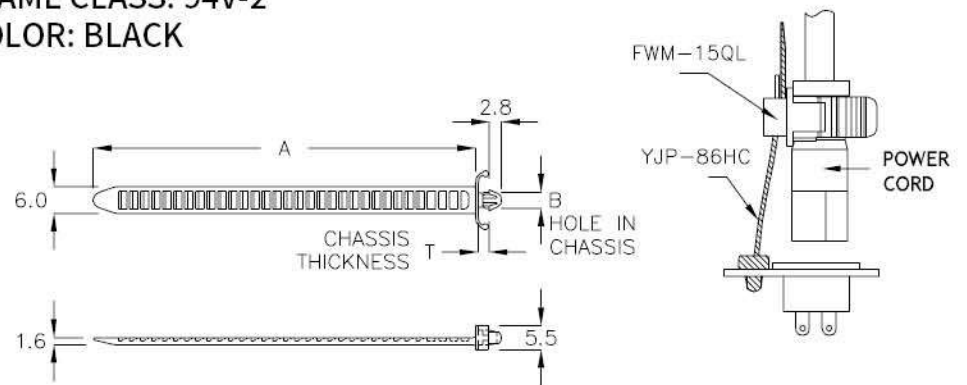
ASSEMBLE WITH P.G. PART FWM-SERIES, FYA-SERIES, FYB-SERIES, FYD-SERIES, FYDA-SERIES or FYL-SERIES (Page 12-14-2, 12-15, 12-16-2, 12-17-1)



## 電源線固定帶 CABLE TIE

12-8-2

- MATERIAL: NYLON 66(UL)
- FLAME CLASS: 94V-2
- COLOR: BLACK



| PART NO  | A     | B<br>HOLE IN<br>CHASSIS | T<br>CHASSIS<br>THICKNESS | ASSEMBLE<br>WITH P.G. PART | PACKAGE |
|----------|-------|-------------------------|---------------------------|----------------------------|---------|
| YJP-86HC | 86.74 | Ø3.5                    | 0.8~2.0                   | FWM-15QL                   | 100     |

ASSEMBLE WITH P.G. PART FWM-15QL (Page 12-15-2)

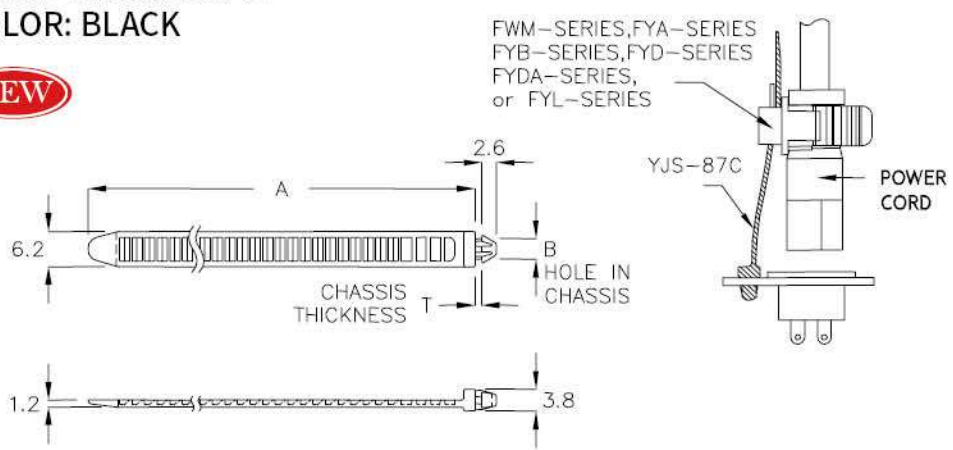




電源線固定帶 CABLE TIE 12-9-1

- MATERIAL: NYLON 66(UL)
- FLAME CLASS: 94V-2
- COLOR: BLACK

**NEW**



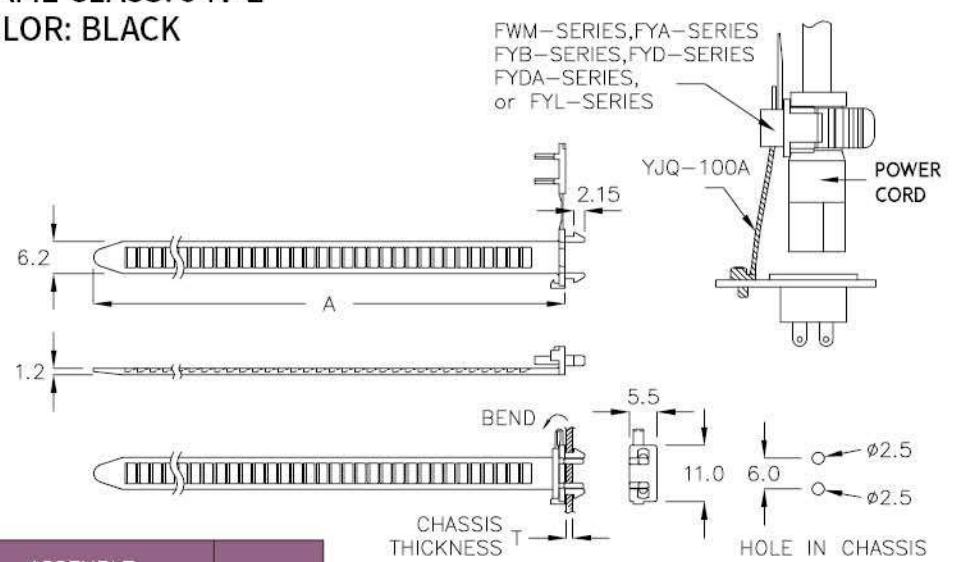
| PART NO   | A    | B<br>HOLE IN<br>CHASSIS | T<br>CHASSIS<br>THICKNESS | ASSEMBLE<br>WITH P.G. PART   | PACKAGE |
|-----------|------|-------------------------|---------------------------|--|---------|
| ★ YJS-87C | 89.0 | ∅3.5                    | 0.8                       | FWM-7GQ, FWM-8K<br>FWM-11A, FWM-11KN<br>FWM-15A, FWM-19M<br>FYA-15KC, FYA-15TR<br>FYB-15NK, FYD-13K<br>FYDA-13C, FYL-17C | 100     |

ASSEMBLE WITH P.G PART FWM-SERIES, FYA-SERIES, FYB-SERIES, FYD-SERIES, FYDA-SERIES or FYL-SERIES (Page 12-14-2, 12-15, 12-16-2, 12-17-1)



電源線固定帶 CABLE TIE 12-9-2

- MATERIAL: NYLON 66(UL)
- FLAME CLASS: 94V-2
- COLOR: BLACK



| PART NO  | A     | T<br>CHASSIS<br>THICKNESS | ASSEMBLE<br>WITH P.G. PART   | PACKAGE |
|----------|-------|---------------------------|--|---------|
| YJQ-100A | 100.0 | 1.6                       | FWM-7GQ, FWM-8K<br>FWM-11A, FWM-11KN<br>FWM-15A, FWM-19M<br>FYA-15KC, FYA-15TR<br>FYB-15NK, FYD-13K<br>FYDA-13C, FYL-17C | 100     |

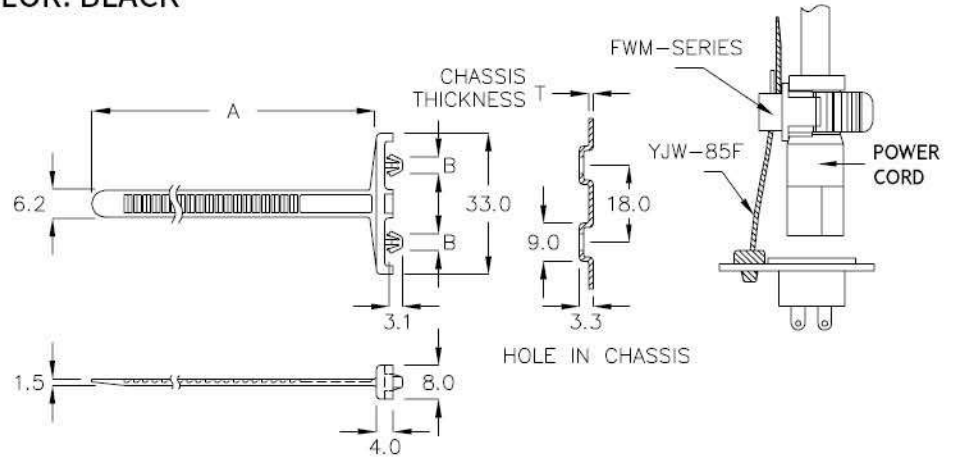
ASSEMBLE WITH P.G PART FWM-SERIES, FYA-SERIES, FYB-SERIES, FYD-SERIES, FYDA-SERIES or FYL-SERIES (Page 12-14-2, 12-15, 12-16-2, 12-17-1)



## 電源線固定帶 CABLE TIE

12-10-1

- MATERIAL: NYLON 66(UL)
- FLAME CLASS: 94V-2
- COLOR: BLACK



| PART NO | A    | B<br>HOLE IN<br>CHASSIS | T<br>CHASSIS<br>THICKNESS | ASSEMBLE<br>WITH P.G. PART | PACKAGE |
|---------|------|-------------------------|---------------------------|----------------------------|---------|
| YJW-85F | 85.0 | ∅4.0                    | 1.0                       | FWM-11PH, FWM-15PD         | 100     |

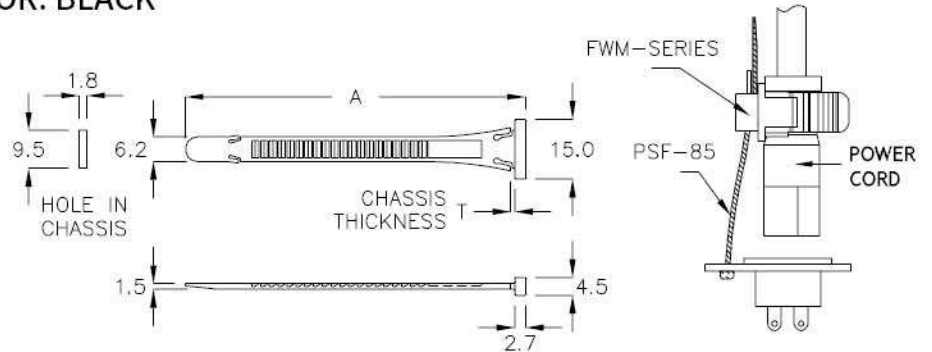
ASSEMBLE WITH P.G PART FWM-SERIES (Page 12-14-2)



## 電源線固定帶 CABLE TIE

12-10-2

- MATERIAL: NYLON 66(UL)
- FLAME CLASS: 94V-2
- COLOR: BLACK



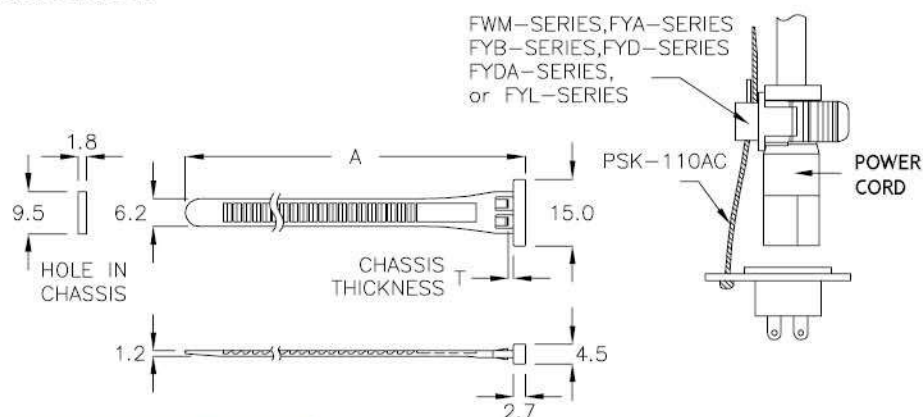
| PART NO | A    | T<br>CHASSIS<br>THICKNESS | ASSEMBLE<br>WITH P.G. PART | PACKAGE |
|---------|------|---------------------------|----------------------------|---------|
| PSF-85  | 85.0 | 0.8                       | FWM-11PH, FWM-15PD         | 500     |

ASSEMBLE WITH P.G PART FWM-SERIES (Page 12-14-2)



## 電源線固定帶 CABLE TIE 12-11-1

- MATERIAL: NYLON 66(UL)
- FLAME CLASS: 94V-2
- COLOR: BLACK



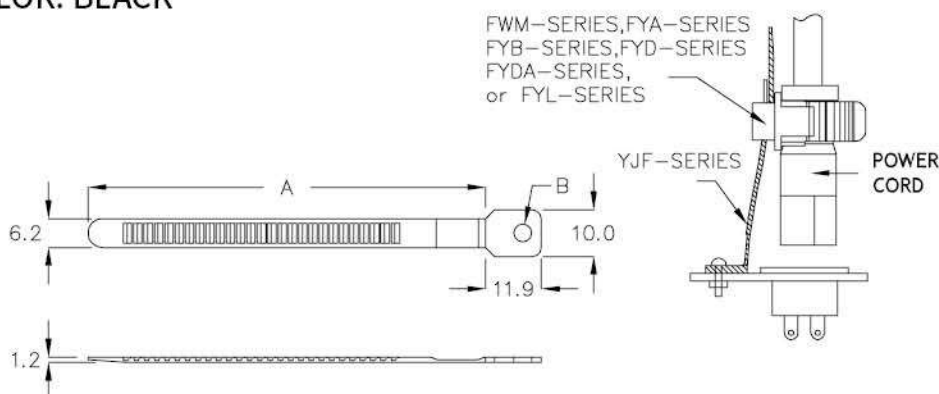
| PART NO   | A     | T<br>CHASSIS<br>THICKNESS | ASSEMBLE<br>WITH P.G. PART   | PACKAGE |
|-----------|-------|---------------------------|--|---------|
| PSK-110AC | 110.0 | 0.8                       | FWM-7GQ, FWM-8K<br>FWM-11A, FWM-11KN<br>FWM-15A, FWM-19M<br>FYA-15KC, FYA-15TR<br>FYB-15NK, FYD-13K<br>FYDA-13C, FYL-17C | 500     |

ASSEMBLE WITH P.G. PART FWM-SERIES, FYA-SERIES, FYB-SERIES, FYD-SERIES, FYDA-SERIES or FYL-SERIES (Page 12-14-2, 12-15, 12-16-2, 12-17-1)



## 電源線固定帶 CABLE TIE 12-11-2

- MATERIAL: NYLON 66(UL)
- FLAME CLASS: 94V-2
- COLOR: BLACK



| PART NO   | A     | B    | ASSEMBLE<br>WITH P.G. PART   | PACKAGE |
|-----------|-------|------|--|---------|
| YJF-94    | 85.0  | ∅3.8 | FWM-7GQ, FWM-8K<br>FWM-11A, FWM-11KN<br>FWM-15A, FWM-19M<br>FYA-15KC, FYA-15TR<br>FYB-15NK, FYD-13K<br>FYDA-13C, FYL-17C | 100     |
| YJF-116KH | 105.0 | ∅6.0 | FWM-7GQ, FWM-8K<br>FWM-11A, FWM-11KN<br>FWM-15A, FWM-19M<br>FYA-15KC, FYA-15TR<br>FYB-15NK, FYD-13K<br>FYDA-13C, FYL-17C | 100     |

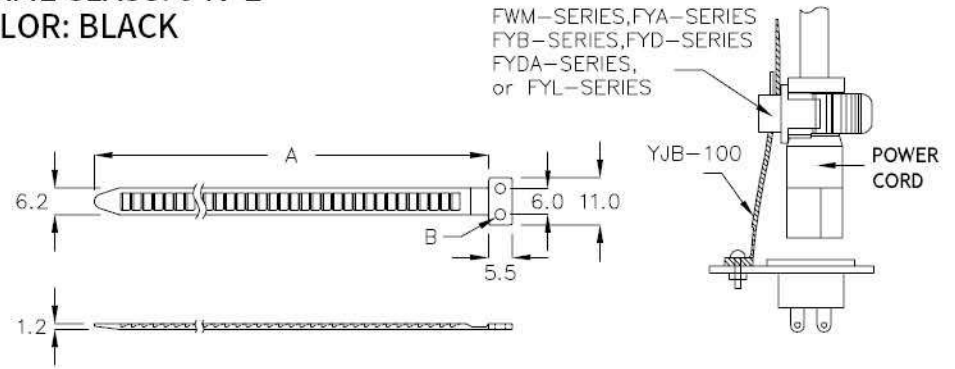
ASSEMBLE WITH P.G. PART FWM-SERIES, FYA-SERIES, FYB-SERIES, FYD-SERIES, FYDA-SERIES or FYL-SERIES (Page 12-14-2, 12-15, 12-16-2, 12-17-1)



## 電源線固定帶 CABLE TIE

12-12-1

- MATERIAL: NYLON 66(UL)
- FLAME CLASS: 94V-2
- COLOR: BLACK



| PART NO | A     | B    | ASSEMBLE WITH P.G. PART  | PACKAGE |
|---------|-------|------|--|---------|
| YJB-100 | 100.0 | ∅2.5 | FWM-7GQ, FWM-8K<br>FWM-11A, FWM-11KN<br>FWM-15A, FWM-19M<br>FYA-15KC, FYA-15TR<br>FYB-15NK, FYD-13K<br>FYDA-13C, FYL-17C | 100     |

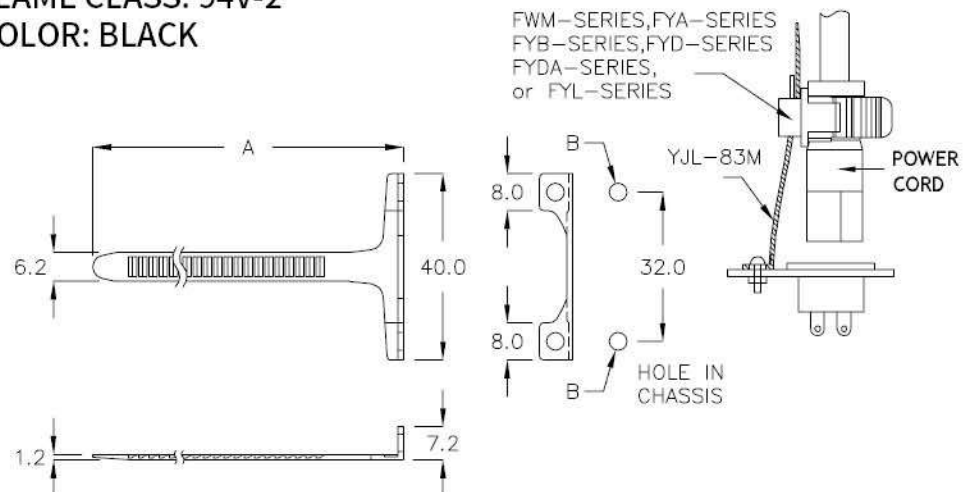
ASSEMBLE WITH P.G. PART FWM-SERIES, FYA-SERIES, FYB-SERIES, FYD-SERIES, FYDA-SERIES or FYL-SERIES (Page 12-14-2, 12-15, 12-16-2, 12-17-1)



## 電源線固定帶 CABLE TIE

12-12-2

- MATERIAL: NYLON 66(UL)
- FLAME CLASS: 94V-2
- COLOR: BLACK



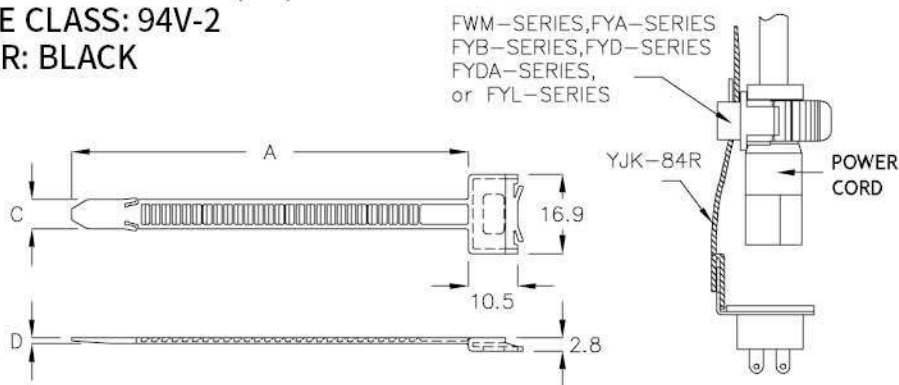
| PART NO | A    | B<br>HOLE IN CHASSIS | ASSEMBLE WITH P.G. PART  | PACKAGE |
|---------|------|----------------------|--|---------|
| YJL-83M | 83.5 | ∅3.5                 | FWM-7GQ, FWM-8K<br>FWM-11A, FWM-11KN<br>FWM-15A, FWM-19M<br>FYA-15KC, FYA-15TR<br>FYB-15NK, FYD-13K<br>FYDA-13C, FYL-17C | 100     |

ASSEMBLE WITH P.G. PART FWM-SERIES, FYA-SERIES, FYB-SERIES, FYD-SERIES, FYDA-SERIES or FYL-SERIES (Page 12-14-2, 12-15, 12-16-2, 12-17-1)



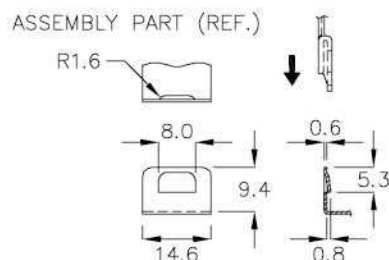
電源線固定帶 CABLE TIE 12-13-1

- MATERIAL: NYLON 66(UL)
- FLAME CLASS: 94V-2
- COLOR: BLACK



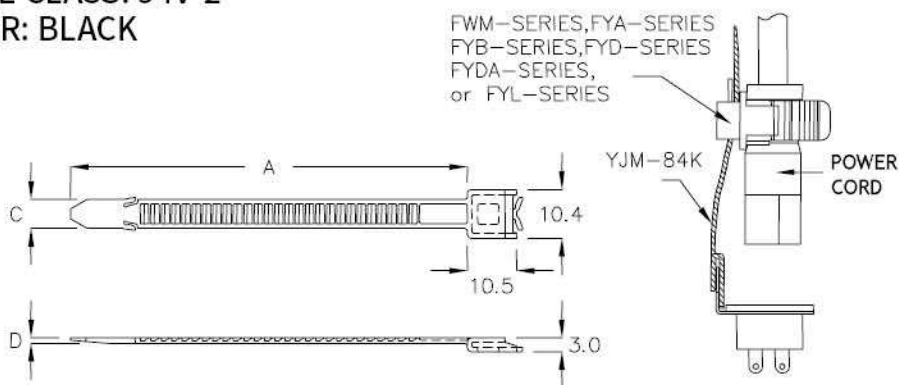
| PART NO | A    | C   | D   | ASSEMBLE WITH P.G. PART  | PACKAGE |
|---------|------|-----|-----|--|---------|
| YJK-84R | 84.6 | 6.2 | 1.2 | FWM-7GQ, FWM-8K<br>FWM-11A, FWM-11KN<br>FWM-15A, FWM-19M<br>FYA-15KC, FYA-15TR<br>FYB-15NK, FYD-13K<br>FYDA-13C, FYL-17C | 100     |

ASSEMBLE WITH P.G. PART FWM-SERIES, FYA-SERIES, FYB-SERIES, FYD-SERIES, FYDA-SERIES or FYL-SERIES (Page 12-14-2, 12-15, 12-16-2, 12-17-1)



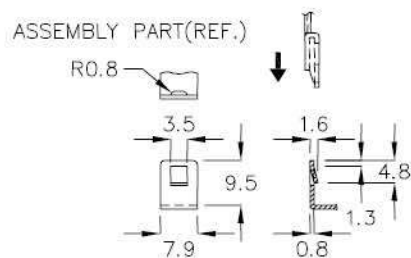
電源線固定帶 CABLE TIE 12-13-2

- MATERIAL: NYLON 66(UL)
- FLAME CLASS: 94V-2
- COLOR: BLACK



| PART NO | A    | C   | D   | ASSEMBLE WITH P.G. PART  | PACKAGE |
|---------|------|-----|-----|--|---------|
| YJM-84K | 84.6 | 6.2 | 1.2 | FWM-7GQ, FWM-8K<br>FWM-11A, FWM-11KN<br>FWM-15A, FWM-19M<br>FYA-15KC, FYA-15TR<br>FYB-15NK, FYD-13K<br>FYDA-13C, FYL-17C | 100     |

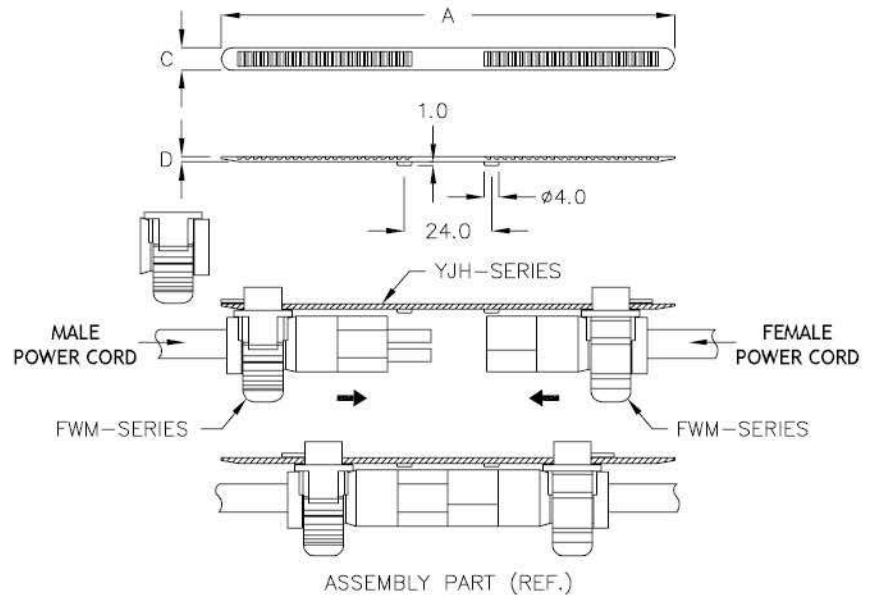
ASSEMBLE WITH P.G. PART FWM-SERIES, FYA-SERIES, FYB-SERIES, FYD-SERIES, FYDA-SERIES or FYL-SERIES (Page 12-14-2, 12-15, 12-16-2, 12-17-1)





## 電源線固定帶 CABLE TIE 12-14-1

- MATERIAL: NYLON 66(UL)
- FLAME CLASS: 94V-2
- COLOR: BLACK



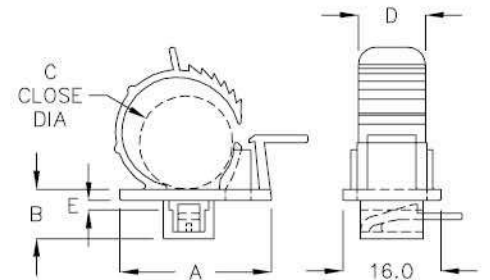
| PART NO   | A     | C   | D   | ASSEMBLE WITH P.G. PART | PACKAGE |
|-----------|-------|-----|-----|-------------------------|---------|
| YJH-125   | 125.0 | 6.2 | 1.5 | FWM-11PH, FWM-15PD      | 100     |
| YJH-180HG | 180.0 | 6.2 | 1.5 | FWM-26SA                |         |

ASSEMBLE WITH P.G PART FWM-SERIES (Page 12-14-2, 12-16-1)



## 電源線固定座 POWER CORD MOUNTING 12-14-2

- MATERIAL: NYLON 66(UL)
- FLAME CLASS: 94V-2
- COLOR: BLACK



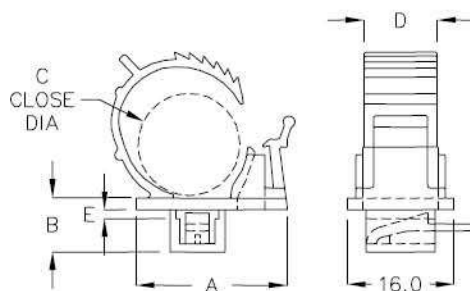
| PART NO  | A    | B   | C CLOSE DIA | D    | E   | R    | ASSEMBLE WITH P.G. PART | PACKAGE |
|----------|------|-----|-------------|------|-----|------|-------------------------|---------|
| FWM-7GQ  | 18.0 | 8.1 | ø5.0~ø6.5   | 11.0 | 1.3 | R0.1 | YJA-85, YJA-85KT        | 100     |
| FWM-8K   | 18.0 | 8.1 | ø7.2~ø8.3   |      |     |      | YJB-100, YJC-64C        |         |
| FWM-11A  | 25.0 | 8.3 | ø8.0~ø11.0  |      |     |      | YJC-64MK, YJF-94        |         |
| FWM-11KN | 25.0 | 8.3 | ø8.0~ø11.0  | 11.0 | 1.3 | R0.2 | YJF-116KH, YJK-84R      |         |
| FWM-15A  | 24.7 | 8.1 | ø11.5~ø15.3 | 11.0 | 1.3 | R0.1 | YJL-83M, YJM-84K        |         |
| FWM-19M  | 28.3 | 8.3 | ø15.3~ø19.0 |      |     |      | YJQ-100A, YJR-86A       |         |
| FWM-11PH | 25.0 | 8.3 | ø8.0~ø11.0  | 11.0 | 1.6 | R0.1 | YJS-87C, PSK-110AC      |         |
| FWM-15PD | 24.8 | 8.1 | ø11.5~ø15.3 |      |     |      | YJA-85PD, YJH-125       |         |

ASSEMBLE WITH P.G PART YJA-SERIES, YJB-SERIES, YJC-SERIES, YJF-SERIES, YJH-SERIES, YJK-SERIES, YJL-SERIES, YJM-SERIES, YJQ-SERIES, YJR-SERIES, YJS-SERIES, YJW-SERIES or PSK-SERIES (Page 12-6-2, 12-7, 12-8-1, 12-9, 12-10, 12-11, 12-12, 12-13, 12-14-1)



電源線固定座 POWER CORD MOUNTING — 12-15-1 |

- MATERIAL: NYLON 66(UL)
- FLAME CLASS: 94V-2
- COLOR: BLACK



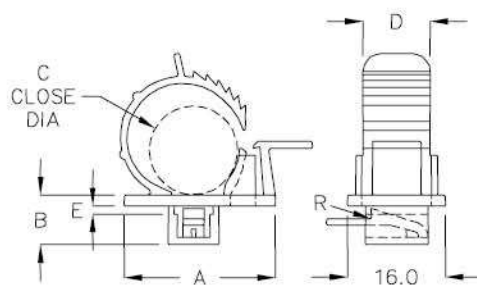
| PART NO  | A    | B   | C<br>CLOSE DIA | D    | E   | ASSEMBLE<br>WITH P.G. PART  | PACKAGE |
|----------|------|-----|----------------|------|-----|---|---------|
| FYB-15NK | 22.7 | 8.1 | ∅11.5~∅15.3    | 11.0 | 1.3 | YJA-85, YJA-85KT, YJB-100<br>YJC-64C, YJC-64MK, YJF-94<br>YJF-116KH, YJK-84R, YJL-83M<br>YJM-84K, YJQ-100A, YJR-86A<br>YJS-87C, PSK-110AC | 100     |

ASSEMBLE WITH P.G PART YJA-SERIES, YJB-SERIES, YJC-SERIES, YJF-SERIES, YJK-SERIES, YJL-SERIES, YJM-SERIES, YJQ-SERIES, YJR-SERIES, YJS-SERIES or PSK-SERIES  
(Page 12-6-2, 12-7, 12-8-1, 12-9, 12-11, 12-12, 12-13)



電源線固定座 POWER CORD MOUNTING — 12-15-2 |

- MATERIAL: NYLON 66(UL)
- FLAME CLASS: 94V-2
- COLOR: BLACK



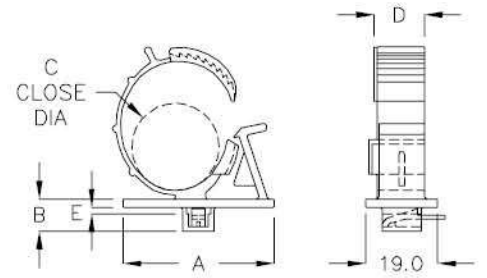
| PART NO  | A    | B   | C<br>CLOSE DIA | D    | E    | R    | ASSEMBLE<br>WITH P.G. PART  | PACKAGE |
|----------|------|-----|----------------|------|------|------|---|---------|
| FWM-15QL | 20.5 | 8.3 | ∅11.5~∅15.3    | 11.0 | 1.3  | R0.1 | YJP-86HC  | 100     |
| FYA-15KC | 24.8 | 8.1 | ∅11.5~∅15.3    | 11.0 | 1.35 | R0.2 | YJA-85, YJA-85KT, YJB-100<br>YJC-64C, YJC-64MK, YJF-94<br>YJF-116KH, YJK-84R, YJL-83M |         |
| FYA-15TR | 24.8 | 8.1 | ∅11.5~∅15.3    | 11.0 | 1.3  | R0.1 | YJM-84K, YJQ-100A, YJR-86A<br>YJS-87C, PSK-110AC                                      |         |

ASSEMBLE WITH P.G PART YJA-SERIES, YJB-SERIES, YJC-SERIES, YJF-SERIES, YJK-SERIES, YJL-SERIES, YJM-SERIES, YJP-SERIES, YJQ-SERIES, YJR-SERIES, YJS-SERIES or PSK-SERIES  
(Page 12-6-2, 12-7, 12-8, 12-9, 12-11, 12-12, 12-13)



## 電源線固定座 POWER CORD MOUNTING — 12-16-1

- MATERIAL: NYLON 66(UL)
- FLAME CLASS: 94V-2
- COLOR: BLACK



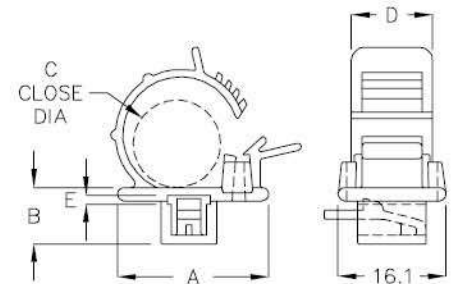
| PART NO  | A    | B   | C<br>CLOSE DIA | D    | E    | ASSEMBLE<br>WITH P.G. PART                        | PACKAGE |
|----------|------|-----|----------------|------|------|---|---------|
| FWM-26SA | 39.9 | 8.5 | ø21.0~ø26.5    | 13.3 | 1.65 | YJA-85PD, YJH-125<br>YJH-180HG, YJW-85F<br>PSF-85 | 100     |

ASSEMBLE WITH P.G PART YJA-SERIES, YJH-SERIES, YJW-SERIES, PSF-SERIES  
(Page 12-6-2, 12-10, 12-14-1)



## 電源線固定座 POWER CORD MOUNTING — 12-16-2

- MATERIAL: NYLON 66(UL)
- FLAME CLASS: 94V-2
- COLOR: BLACK



| PART NO    | A    | B    | C<br>CLOSE DIA | D    | E    | ASSEMBLE<br>WITH P.G. PART  | PACKAGE |
|------------|------|------|----------------|------|------|---|---------|
| FYD-13K    | 22.5 | 8.4  | ø11.0~ø13.0    | 12.1 | 1.3  | YJA-85, YJA-85KT, YJB-100<br>YJC-64C, YJC-64MK, YJF-94<br>YJF-116KH, YJK-84R, YJL-83M | 100     |
| ★ FYDA-13C | 22.5 | 8.45 | ø11.0~ø13.0    | 12.0 | 1.35 | YJM-84K, YJQ-100A, YJR-86A<br>YJS-87C, PSK-110AC                                      |         |

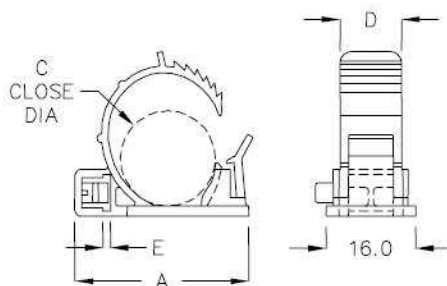
ASSEMBLE WITH P.G PART YJA-SERIES, YJB-SERIES, YJC-SERIES, YJF-SERIES, YJK-SERIES,  
YJL-SERIES, YJM-SERIES, YJQ-SERIES, YJR-SERIES, YJS-SERIES or PSK-SERIES  
(Page 12-6-2, 12-7, 12-8-1, 12-9, 12-11, 12-12, 12-13)





電源線固定座 POWER CORD MOUNTING — 12-17-1

- MATERIAL: NYLON 66(UL)
- FLAME CLASS: 94V-2
- COLOR: BLACK



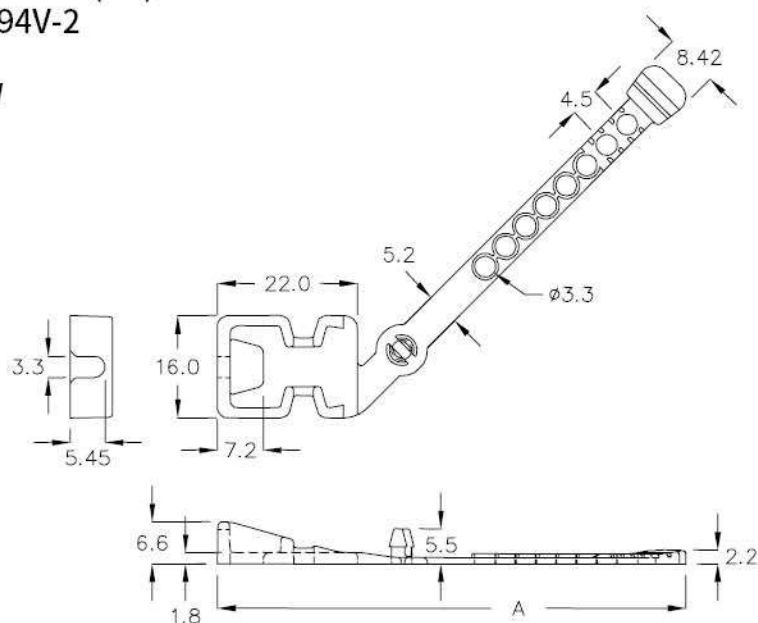
| PART NO | A    | C<br>CLOSE DIA | D    | E    | ASSEMBLE<br>WITH P.G. PART  | PACKAGE |
|---------|------|----------------|------|------|---|---------|
| FYL-17C | 31.1 | ø15.0~ø17.0    | 11.0 | 1.35 | YJA-85, YJA-85KT, YJB-100<br>YJC-64C, YJC-64MK, YJF-94<br>YJF-116KH, YJK-84R, YJL-83M<br>YJM-84K, YJQ-100A, YJR-86A<br>YJS-87C, PSK-110AC | 100     |

ASSEMBLE WITH P.G. PART YJA-SERIES, YJB-SERIES, YJC-SERIES, YJF-SERIES, YJK-SERIES, YJL-SERIES, YJM-SERIES, YJQ-SERIES, YJR-SERIES, YJS-SERIES or PSK-SERIES  
(Page 12-6-2, 12-7, 12-8-1, 12-9, 12-11, 12-12, 12-13)

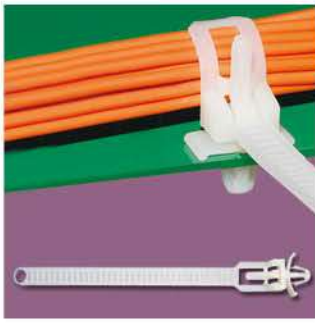


電源線固定座 POWER CORD MOUNTING — 12-17-2

- MATERIAL: NYLON 66(UL)
- FLAME CLASS: 94V-2
- COLOR: BLACK
- USE M3 SCREW

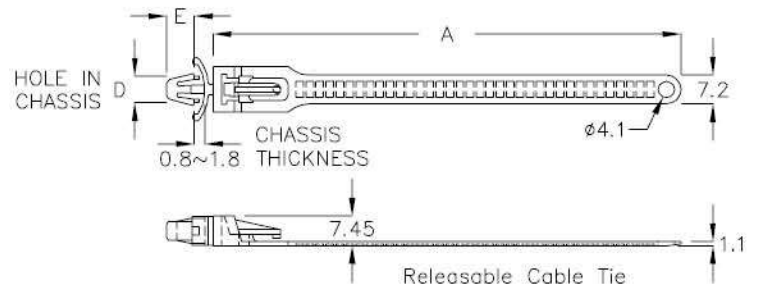


| PART NO | A     | SUITABLE<br>BUNDLE DIA | PACKAGE |
|---------|-------|------------------------|---------|
| YAT-83A | 83.06 | ø8.0~ø16.0             | 100     |

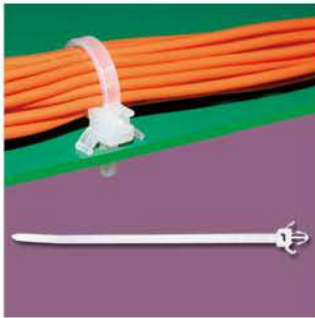


### 電線束線帶 MOUNTING CABLE TIE ———— 12-18-1

- MATERIAL: NYLON 66(UL)
- FLAME CLASS: 94V-2
- COLOR: NATURAL

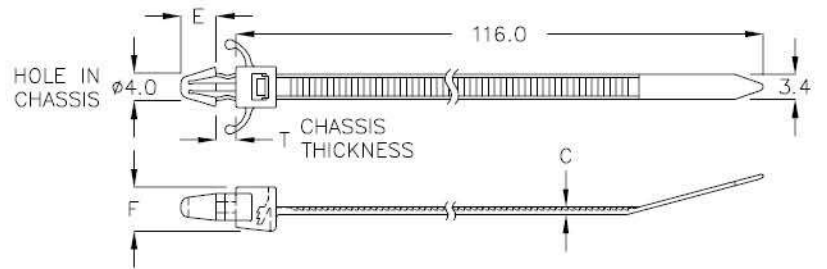


| PART NO | A     | D HOLE IN CHASSIS | E   | APPROX LENGTH | APPROX WIDTH | MAX BUNDLE DIA | PACKAGE |
|---------|-------|-------------------|-----|---------------|--------------|----------------|---------|
| YAA-118 | 117.4 | ∅6.5              | 7.1 | 129(5.08")    | 7.2(0.284")  | 28.5(1.125")   | 100     |
| YAA-150 | 150.0 | ∅3.8              | 5.0 | 160(6.30")    | 7.2(0.284")  | 40.0(1.575")   |         |

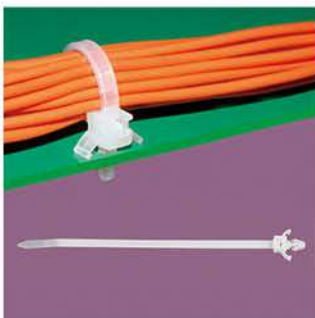


### 電線束線帶 MOUNTING CABLE TIE ———— 12-18-2

- MATERIAL: NYLON 66(UL)
- FLAME CLASS: 94V-2
- COLOR: NATURAL



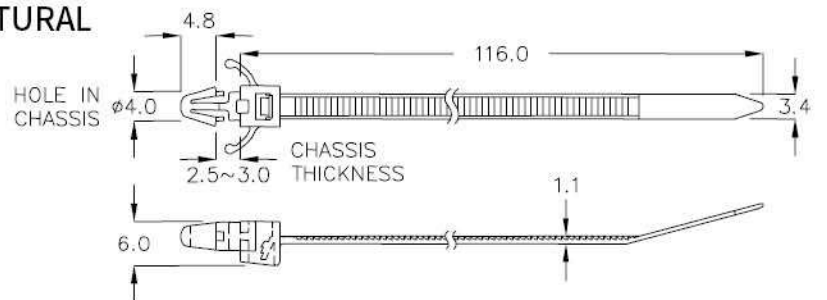
| PART NO  | C   | E    | F   | T CHASSIS THICKNESS | APPROX LENGTH | APPROX WIDTH | MAX BUNDLE DIA | PACKAGE |
|----------|-----|------|-----|---------------------|---------------|--------------|----------------|---------|
| YJ-123   | 1.1 | 4.35 | 6.8 | 0.8~2.0             | 123(4.84")    | 3.4(0.13")   | 25.4(1.00")    | 500     |
| YJ-123TK | 1.3 | 4.8  | 6.0 | 2.0~2.5             | 123(4.84")    | 3.4(0.13")   | 25.4(1.00")    |         |



### 電源線固定帶 CABLE TIE ———— 12-18-3

- MATERIAL: NYLON 66(UL)
- FLAME CLASS: 94V-2
- COLOR: NATURAL

**NEW**



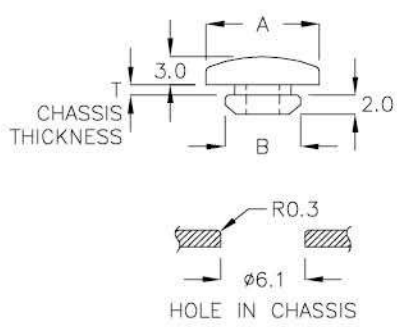
| PART NO    | APPROX LENGTH | APPROX WIDTH | MAX BUNDLE DIA | PACKAGE |
|------------|---------------|--------------|----------------|---------|
| ★ YJ-123HR | 123.6(4.86")  | 3.4(0.13")   | 25.4(1.00")    | 500     |



**墊座 SILICONE RUBBER FOOT 9-7-1**

- MATERIAL: SILICONE
- COLOR: BLACK

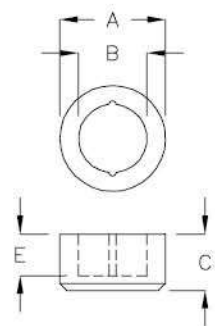
| PART NO | A     | B    | T<br>CHASSIS<br>THICKNESS | PACKAGE |
|---------|-------|------|---------------------------|---------|
| GMC-3RF | ∅12.0 | ∅8.0 | 1.2                       | 2000    |



**墊座 RUBBER FOOT 9-7-2**

- MATERIAL: PU
- COLOR: BLACK

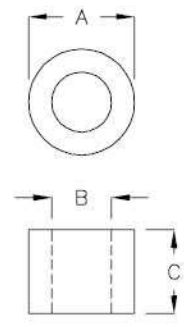
| PART NO | A     | B    | C   | E   | PACKAGE |
|---------|-------|------|-----|-----|---------|
| LGA-01  | ∅15.0 | ∅9.7 | 8.0 | 5.9 | 500     |
| LGA-02  | ∅15.0 | ∅9.7 | 8.5 | 6.2 |         |



**墊座 SILICONE RUBBER FOOT 9-7-3**

- MATERIAL: SILICONE
- COLOR: BLACK

| PART NO  | A     | B    | C   | PACKAGE |
|----------|-------|------|-----|---------|
| C120609A | ∅12.0 | ∅6.8 | 9.5 | 2000    |

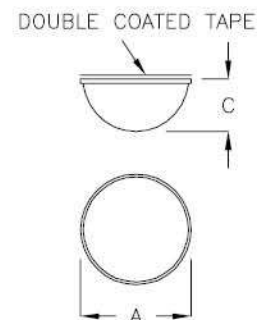




### 墊座 SILICONE RUBBER FOOT

9-8-1

- MATERIAL: SILICONE
- COLOR: BLACK
- ADHESIVE TAPE: 3M or EQUIVALENT



| PART NO | A     | C   | PACKAGE |
|---------|-------|-----|---------|
| S0603   | ø6.3  | 3.0 | 3200    |
| S0702   | ø7.0  | 2.0 | 3000    |
| S0803D  | ø8.0  | 3.5 |         |
| S0904   | ø8.8  | 3.6 | 1000    |
| S0904MF | ø8.8  | 4.3 |         |
| S1105   | ø10.7 | 5.2 |         |
| S1106   | ø11.0 | 6.0 |         |
| S1608   | ø15.7 | 8.0 |         |

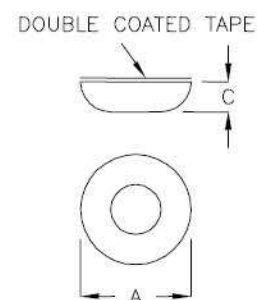


### 墊座 SILICONE RUBBER FOOT

9-8-2

- MATERIAL: SILICONE
- COLOR: BLACK, GRAY
- ADHESIVE TAPE: 3M or EQUIVALENT

**NEW**



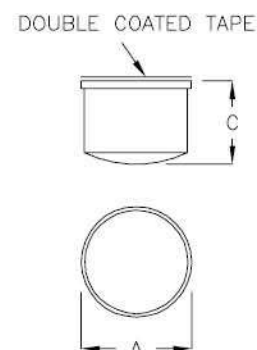
|   | PART NO | A     | C    | PACKAGE |
|---|---------|-------|------|---------|
| ★ | S1303K  | ø13.0 | 3.35 | 500     |
| ★ | S1303NH | ø13.0 | 3.55 |         |



### 墊座 SILICONE RUBBER FOOT

9-8-3

- MATERIAL: SILICONE
- COLOR: BLACK
- ADHESIVE TAPE: 3M or EQUIVALENT

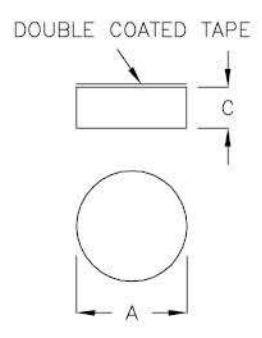


| PART NO | A     | C    | PACKAGE |
|---------|-------|------|---------|
| U0802F  | ø8.0  | 2.6  | 2000    |
| U0802KM | ø8.0  | 2.4  | 1000    |
| U1815   | ø18.0 | 14.5 | 500     |



墊座 SILICONE RUBBER FOOT 9-9-1

- MATERIAL: SILICONE
  - COLOR: BLACK
  - ADHESIVE TAPE: 3M or EQUIVALENT
  - \*ACCEPTABLE FOR CUSTOMIZED REQUEST
- ◎ 我司可接受特別尺寸訂購



| PART NO | A    | C    | PACKAGE |
|---------|------|------|---------|
| R0301A  | ø3.8 | 0.5  | 2000    |
| R0401   | ø4.0 | 1.0  |         |
| R0402   | ø4.0 | 1.8  |         |
| R0501   | ø4.8 | 1.0  |         |
| R0501A  | ø5.0 | 1.5  |         |
| R0502   | ø5.0 | 1.8  |         |
| R0502J  | ø5.0 | 2.4  |         |
| R0503A  | ø5.0 | 3.5  |         |
| R0601   | ø5.7 | 1.0  |         |
| R0602   | ø6.0 | 1.5  |         |
| R0602A  | ø6.0 | 2.0  |         |
| R0602C  | ø6.0 | 2.5  |         |
| R0603   | ø6.0 | 3.0  |         |
| R0603S  | ø6.4 | 2.6  |         |
| R0702F  | ø6.5 | 2.0  |         |
| R0703A  | ø6.5 | 3.2  |         |
| R0701J  | ø7.0 | 1.0  |         |
| R0702C  | ø7.0 | 2.0  |         |
| R0702A  | ø7.0 | 2.2  |         |
| R0703   | ø7.0 | 3.0  |         |
| R0701K  | ø7.5 | 0.65 |         |
| R0801C  | ø8.0 | 0.7  |         |
| R0801   | ø8.0 | 1.0  |         |
| R0802H  | ø8.0 | 1.5  |         |
| R0802   | ø8.0 | 1.8  |         |

| PART NO | A     | C    | PACKAGE |
|---------|-------|------|---------|
| R0802C  | ø8.0  | 2.0  | 2000    |
| R0802P  | ø8.0  | 2.2  |         |
| R0803S  | ø8.0  | 2.6  |         |
| R0803C  | ø8.0  | 3.0  |         |
| R0803   | ø8.0  | 3.2  |         |
| R0803F  | ø8.0  | 3.4  |         |
| R0803D  | ø8.0  | 3.5  |         |
| R0802L  | ø8.2  | 2.0  |         |
| R0802K  | ø8.5  | 2.0  |         |
| R0902C  | ø9.0  | 2.0  |         |
| R0901   | ø9.5  | 1.5  |         |
| R0902A  | ø9.5  | 2.0  |         |
| R1001K  | ø10.0 | 0.65 |         |
| R1001   | ø10.0 | 1.0  |         |
| R1002   | ø10.0 | 2.0  |         |
| R1002C  | ø10.0 | 2.5  |         |
| R1003C  | ø10.0 | 3.0  |         |
| R1003A  | ø10.0 | 3.3  |         |
| R1202A  | ø12.0 | 2.0  |         |
| R1202D  | ø12.0 | 2.5  |         |
| R1202   | ø12.7 | 2.0  |         |
| R1202C  | ø12.7 | 2.5  |         |
| R1501   | ø15.0 | 1.0  |         |
| R1502C  | ø15.0 | 2.0  |         |
| R2103   | ø21.0 | 3.0  |         |
| R2802M  | ø28.0 | 2.5  |         |

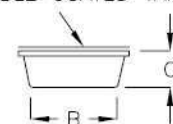


## 墊座 SILICONE RUBBER FOOT 9-10-1

- MATERIAL: SILICONE
- COLOR: BLACK
- ADHESIVE TAPE: 3M or EQUIVALENT
- \*ACCEPTABLE FOR CUSTOMIZED REQUEST

◎ 我司可接受特別尺寸訂購

DOUBLE COATED TAPE



| PART NO | A     | B     | C   | PACKAGE |
|---------|-------|-------|-----|---------|
| R0805   | ø8.2  | ø6.6  | 5.0 | 2000    |
| R0806A  | ø8.0  | ø7.3  | 6.0 |         |
| R0808   | ø8.0  | ø7.04 | 8.0 |         |
| R0903   | ø9.5  | ø8.5  | 3.7 |         |
| R0906C  | ø9.5  | ø7.75 | 6.1 |         |
| R1003   | ø10.9 | ø10.0 | 3.0 |         |
| R1008   | ø10.0 | ø8.8  | 8.0 | 1000    |
| R1105   | ø10.9 | ø9.7  | 5.0 | 2000    |
| R1204A  | ø11.7 | ø7.0  | 4.0 |         |
| R1205   | ø12.0 | ø11.0 | 5.0 |         |

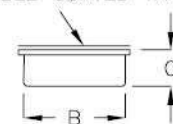
| PART NO | A     | B     | C    | PACKAGE |
|---------|-------|-------|------|---------|
| R1302A  | ø12.7 | ø11.7 | 2.0  | 2000    |
| R1303   | ø12.6 | ø10.0 | 3.5  |         |
| R1304   | ø12.7 | ø11.5 | 4.0  |         |
| R1305   | ø12.7 | ø10.6 | 4.7  |         |
| R1306   | ø12.7 | ø10.3 | 6.2  | 1000    |
| R1307A  | ø12.7 | ø10.1 | 7.35 | 500     |
| R1511   | ø15.0 | ø13.5 | 11.0 |         |
| R1904   | ø19.0 | ø15.5 | 4.2  |         |
| R1907   | ø19.0 | ø17.0 | 7.0  |         |

## 墊座 SILICONE RUBBER FOOT 9-10-2

- MATERIAL: SILICONE
- COLOR: BLACK
- ADHESIVE TAPE: 3M or EQUIVALENT
- \*ACCEPTABLE FOR CUSTOMIZED REQUEST

◎ 我司可接受特別尺寸訂購

DOUBLE COATED TAPE



| PART NO  | A    | B    | C   | PACKAGE |
|----------|------|------|-----|---------|
| R0401D   | ø4.5 | ø4.0 | 1.7 | 2000    |
| R0402ADK | ø4.5 | ø4.0 | 2.5 |         |
| R0404    | ø4.0 | ø3.7 | 4.5 |         |
| R0502KM  | ø5.0 | ø4.7 | 2.0 |         |
| R0502LK  | ø5.5 | ø5.2 | 2.2 |         |
| R0504    | ø5.8 | ø5.4 | 4.0 |         |
| R0603H   | ø6.0 | ø5.5 | 3.0 |         |
| R0603C   | ø6.8 | ø6.6 | 3.1 |         |
| R0605    | ø6.0 | ø5.7 | 5.2 |         |
| R0703C   | ø7.0 | ø6.8 | 3.2 |         |
| R0704K   | ø7.0 | ø6.5 | 4.0 |         |
| R0705A   | ø7.0 | ø6.7 | 4.6 |         |
| R0801LM  | ø8.0 | ø7.4 | 1.8 |         |
| R0802PQ  | ø8.0 | ø7.5 | 2.0 |         |
| R0803HD  | ø8.0 | ø7.5 | 2.6 |         |

| PART NO | A     | B     | C    | PACKAGE |
|---------|-------|-------|------|---------|
| R0803GQ | ø8.0  | ø7.5  | 3.0  | 2000    |
| R0803MK | ø8.0  | ø7.7  | 3.5  |         |
| R0804   | ø8.0  | ø7.8  | 3.7  | 1000    |
| R0804A  | ø8.0  | ø7.8  | 4.5  |         |
| R0804F  | ø8.5  | ø8.0  | 4.0  | 2000    |
| R0903S  | ø9.4  | ø9.0  | 3.2  |         |
| R1004   | ø9.7  | ø9.4  | 4.2  |         |
| R0910A  | ø9.0  | ø8.8  | 10.2 | 500     |
| R1004C  | ø10.5 | ø10.5 | 4.5  |         |
| R1005D  | ø10.0 | ø9.7  | 5.5  | 1000    |
| R1009A  | ø10.0 | ø9.8  | 9.4  | 500     |
| R1011   | ø10.0 | ø9.0  | 11.5 |         |
| R1505   | ø15.4 | ø14.9 | 5.1  |         |
| R1507   | ø15.0 | ø14.4 | 7.0  |         |
| R2210   | ø22.0 | ø21.7 | 10.4 |         |

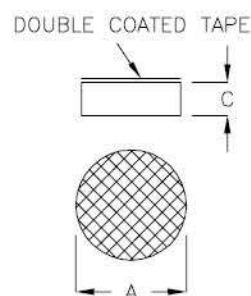


### 墊座 SILICONE RUBBER FOOT

9-11-1

- MATERIAL: SILICONE
- COLOR: BLACK
- ADHESIVE TAPE: 3M or EQUIVALENT

| PART NO | A     | C   | PACKAGE |
|---------|-------|-----|---------|
| RX0902  | ø9.0  | 2.0 | 2000    |
| RX1003  | ø10.0 | 3.0 |         |
| RX1203  | ø12.0 | 3.0 |         |
| RX1202  | ø12.5 | 2.0 | 1000    |
| RX1502  | ø15.0 | 2.0 |         |
| RX2503  | ø25.0 | 3.0 |         |

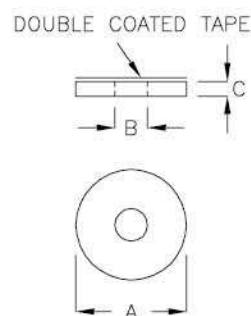


### 墊座 SILICONE RUBBER FOOT

9-11-2

- MATERIAL: SILICONE
- COLOR: BLACK
- ADHESIVE TAPE: 3M or EQUIVALENT

| PART NO  | A     | B     | C    | PACKAGE |
|----------|-------|-------|------|---------|
| C060301  | ø6.0  | ø3.0  | 1.0  | 2000    |
| C060302  | ø6.0  | ø3.0  | 2.0  |         |
| C070301  | ø7.0  | ø3.0  | 1.0  |         |
| C080401C | ø8.0  | ø4.7  | 0.9  |         |
| C090202A | ø9.0  | ø2.5  | 2.5  |         |
| C100501  | ø10.0 | ø5.0  | 1.0  |         |
| C120206  | ø12.0 | ø6.0  | 2.5  | 1000    |
| C190603  | ø18.9 | ø5.6  | 2.54 |         |
| C311303  | ø31.5 | ø13.0 | 3.0  |         |

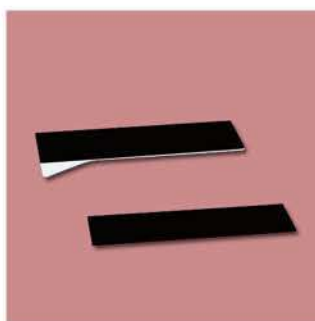
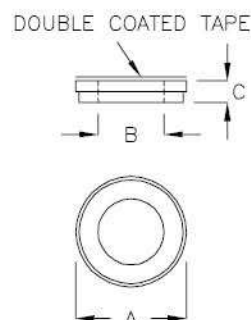


### 墊座 SILICONE RUBBER FOOT

9-11-3

- MATERIAL: SILICONE
- COLOR: BLACK, WHITE
- ADHESIVE TAPE: 3M or EQUIVALENT

| PART NO | A     | B    | C   | PACKAGE |
|---------|-------|------|-----|---------|
| WRX-3C  | ø5.0  | ø3.0 | 1.0 | 2000    |
| WRX-6MT | ø12.0 | ø6.0 | 2.5 | 1000    |

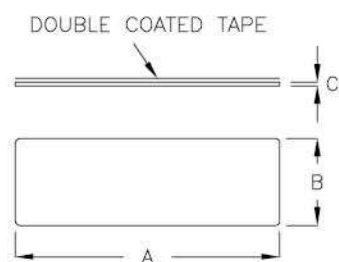


### 墊座 SILICONE RUBBER FOOT

9-11-4

- MATERIAL: SILICONE
- COLOR: BLACK
- ADHESIVE TAPE: 3M or EQUIVALENT

| PART NO   | A     | B    | C   | PACKAGE |
|-----------|-------|------|-----|---------|
| L1193901M | 119.0 | 39.0 | 0.5 | 500     |





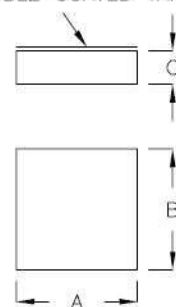
## 墊座 SILICONE RUBBER FOOT

9-12-1

- MATERIAL: SILICONE
- COLOR: BLACK
- ADHESIVE TAPE: 3M or EQUIVALENT
- \*ACCEPTABLE FOR CUSTOMIZED REQUEST

© 我司可接受特別尺寸訂購

DOUBLE COATED TAPE



| PART NO   | A    | B    | C    | PACKAGE |
|-----------|------|------|------|---------|
| L040401   | 4.0  | 4.0  | 1.0  | 2000    |
| L040402   | 4.0  | 4.0  | 2.0  |         |
| L040402A  | 4.0  | 4.0  | 2.5  |         |
| L040403   | 4.0  | 4.0  | 3.0  |         |
| L040404   | 4.0  | 4.0  | 4.0  |         |
| L050302   | 5.0  | 3.0  | 2.5  |         |
| L050501KM | 5.0  | 5.0  | 1.0  |         |
| L050502   | 5.0  | 5.0  | 2.0  |         |
| L050502C  | 5.0  | 5.0  | 2.5  |         |
| L050503   | 5.0  | 5.0  | 3.0  |         |
| L050504   | 5.0  | 5.0  | 4.0  |         |
| L050506   | 5.0  | 5.0  | 6.5  |         |
| L060201C  | 6.0  | 2.0  | 1.5  |         |
| L060602D  | 6.0  | 6.0  | 2.0  |         |
| L060602A  | 6.0  | 6.0  | 2.5  |         |
| L060603   | 6.0  | 6.0  | 3.0  |         |
| L060604   | 6.0  | 6.0  | 4.0  |         |
| L070707   | 6.5  | 6.5  | 6.5  |         |
| L080202C  | 8.0  | 2.5  | 2.2  |         |
| L080203   | 8.0  | 2.5  | 3.0  |         |
| L080403   | 8.0  | 4.0  | 3.5  |         |
| L080405   | 8.0  | 4.0  | 5.0  |         |
| L080602A  | 8.0  | 6.0  | 2.3  |         |
| L080802   | 8.0  | 8.0  | 2.5  |         |
| L080803   | 8.0  | 8.0  | 3.5  |         |
| L080804   | 8.0  | 8.0  | 4.0  |         |
| L080805   | 8.0  | 8.0  | 5.0  |         |
| L080806   | 8.0  | 8.0  | 6.0  |         |
| L080809   | 8.0  | 8.0  | 9.0  |         |
| L080811   | 8.0  | 8.0  | 11.5 |         |
| L100502A  | 10.0 | 5.0  | 2.5  |         |
| L100503A  | 10.0 | 5.0  | 3.5  |         |
| L100505   | 10.0 | 5.0  | 5.0  |         |
| L100705   | 10.0 | 7.0  | 5.0  |         |
| L100801A  | 10.0 | 8.0  | 1.8  |         |
| L100802   | 10.0 | 8.0  | 2.5  |         |
| L100805   | 10.0 | 8.0  | 5.0  |         |
| L101001   | 10.0 | 10.0 | 1.0  |         |
| L101002   | 10.0 | 10.0 | 2.5  |         |
| L101003A  | 10.0 | 10.0 | 3.0  |         |

| PART NO   | A     | B    | C   | PACKAGE |
|-----------|-------|------|-----|---------|
| L101003   | 10.0  | 10.0 | 3.5 | 2000    |
| L101004   | 10.0  | 10.0 | 4.0 |         |
| L101004A  | 10.0  | 10.0 | 4.6 |         |
| L101005   | 10.0  | 10.0 | 5.0 |         |
| L120802   | 12.0  | 8.0  | 2.5 |         |
| L120803   | 12.0  | 8.0  | 3.5 |         |
| L121003   | 12.0  | 10.0 | 3.5 |         |
| L121202   | 12.0  | 12.0 | 2.5 |         |
| L121203   | 12.0  | 12.0 | 3.5 |         |
| L121204   | 12.0  | 12.0 | 4.0 |         |
| L121205   | 12.0  | 12.0 | 5.0 |         |
| L150508   | 15.0  | 5.0  | 0.8 |         |
| L150603   | 15.0  | 6.0  | 3.0 |         |
| L150803   | 15.0  | 8.0  | 3.0 |         |
| L151005   | 15.0  | 10.0 | 5.0 |         |
| L160805   | 16.0  | 8.0  | 5.0 |         |
| L180802   | 18.0  | 8.0  | 2.5 |         |
| L180803   | 18.0  | 8.0  | 3.5 |         |
| L180804   | 18.0  | 8.0  | 4.0 |         |
| L180805   | 18.0  | 8.0  | 5.0 |         |
| L181003   | 18.0  | 10.0 | 3.5 |         |
| L181004   | 18.0  | 10.0 | 4.0 |         |
| L181005   | 18.0  | 10.0 | 5.0 |         |
| L181202   | 18.0  | 12.0 | 2.5 |         |
| L181204   | 18.0  | 12.0 | 4.0 |         |
| L181205   | 18.0  | 12.0 | 5.0 |         |
| L181802   | 18.0  | 18.0 | 2.5 |         |
| L181803   | 18.0  | 18.0 | 3.5 |         |
| L181804   | 18.0  | 18.0 | 4.0 |         |
| L181805   | 18.0  | 18.0 | 5.0 | 1000    |
| L201002S  | 20.0  | 10.0 | 2.5 | 500     |
| L201008   | 20.0  | 10.0 | 8.0 |         |
| L251501   | 25.0  | 15.0 | 1.5 |         |
| L281901M  | 28.5  | 19.0 | 0.5 |         |
| L303008   | 30.0  | 30.0 | 8.0 |         |
| L351002   | 35.0  | 10.0 | 2.3 |         |
| L400602A  | 40.0  | 6.4  | 2.0 |         |
| L454504   | 45.0  | 45.0 | 4.0 |         |
| L602005   | 60.0  | 20.0 | 5.0 |         |
| L18004003 | 180.0 | 40.0 | 3.0 |         |
| L3300702A | 330.8 | 7.2  | 2.0 |         |



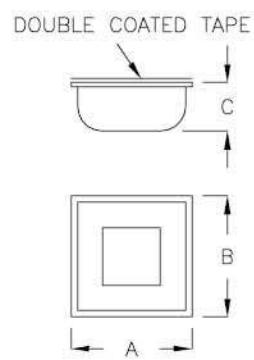


**墊座 SILICONE RUBBER FOOT**

**9-13-1**

- MATERIAL: SILICONE
- COLOR: BLACK
- ADHESIVE TAPE: 3M or EQUIVALENT

| PART NO  | A    | B    | C    | PACKAGE |
|----------|------|------|------|---------|
| Q202008  | 20.4 | 20.4 | 8.0  | 500     |
| Q381015C | 38.0 | 10.5 | 14.5 | 200     |
| Q381410C | 38.0 | 14.5 | 10.5 | 500     |

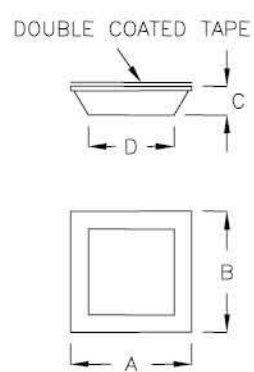


**墊座 SILICONE RUBBER FOOT**

**9-13-2**

- MATERIAL: SILICONE
- COLOR: BLACK
- ADHESIVE TAPE: 3M or EQUIVALENT

| PART NO | A    | B    | C    | D    | PACKAGE |
|---------|------|------|------|------|---------|
| T110803 | 10.5 | 10.5 | 3.0  | 8.0  | 2000    |
| T130706 | 12.7 | 12.7 | 6.0  | 6.8  |         |
| T130903 | 12.7 | 12.7 | 3.0  | 9.0  |         |
| T131003 | 12.7 | 12.7 | 3.1  | 10.0 |         |
| T202023 | 20.0 | 20.0 | 23.0 | 17.8 | 500     |
| T211308 | 20.5 | 20.5 | 7.6  | 12.3 |         |

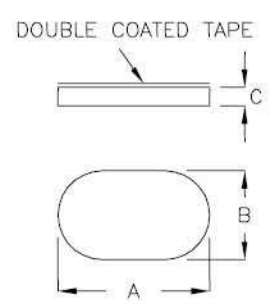


**墊座 SILICONE RUBBER FOOT**

**9-13-3**

- MATERIAL: SILICONE
- COLOR: BLACK
- ADHESIVE TAPE: 3M or EQUIVALENT

| PART NO | A    | B   | C   | PACKAGE |
|---------|------|-----|-----|---------|
| GLQ-2K  | 18.4 | 6.4 | 2.0 | 2000    |
| GLQ-12  | 12.0 | 4.5 | 1.2 |         |
| GLQ-16  | 16.0 | 8.0 | 2.0 |         |
| GLQ-16A | 16.0 | 8.0 | 2.5 |         |

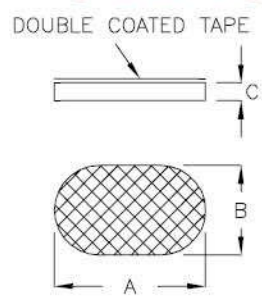


**墊座 SILICONE RUBBER FOOT**

**9-13-4**

- MATERIAL: SILICONE
- COLOR: BLACK
- ADHESIVE TAPE: 3M or EQUIVALENT

| PART NO  | A    | B    | C   | PACKAGE |
|----------|------|------|-----|---------|
| GLQ-19   | 19.4 | 7.4  | 1.2 | 2000    |
| ★ GLQ-3H | 26.8 | 12.8 | 3.0 | 1000    |

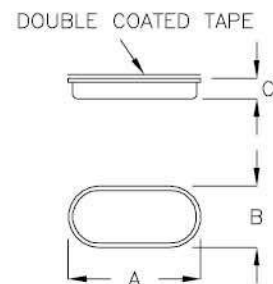




### 墊座 SILICONE RUBBER FOOT

- MATERIAL: SILICONE
- COLOR: BLACK
- ADHESIVE TAPE: 3M or EQUIVALENT

| PART NO | A    | B   | C   | PACKAGE |
|---------|------|-----|-----|---------|
| GLQ-13  | 13.0 | 6.0 | 2.0 | 2000    |
| GLQ-3K  | 13.1 | 6.1 | 3.5 | 1000    |



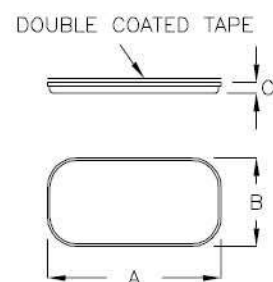
9-14-1



### 墊座 SILICONE RUBBER FOOT

- MATERIAL: SILICONE
- COLOR: BLACK
- ADHESIVE TAPE: 3M or EQUIVALENT

| PART NO | A    | B    | C   | PACKAGE |
|---------|------|------|-----|---------|
| GLQ-2J  | 41.5 | 22.1 | 2.5 | 500     |



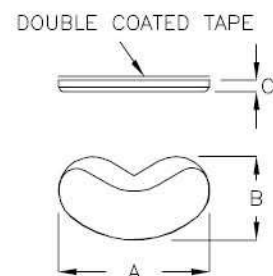
9-14-2



### 墊座 SILICONE RUBBER FOOT

- MATERIAL: SILICONE
- COLOR: BLACK
- ADHESIVE TAPE: 3M or EQUIVALENT

| PART NO | A     | B    | C   | PACKAGE |
|---------|-------|------|-----|---------|
| GLC-2A  | 37.05 | 20.5 | 2.5 | 1000    |



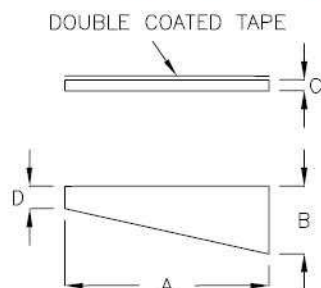
9-14-3



### 墊座 SILICONE RUBBER FOOT

- MATERIAL: SILICONE
- COLOR: BLACK
- ADHESIVE TAPE: 3M or EQUIVALENT

| PART NO | A    | B    | C   | D   | PACKAGE |
|---------|------|------|-----|-----|---------|
| GTT-45  | 45.0 | 15.0 | 2.5 | 5.0 | 2000    |



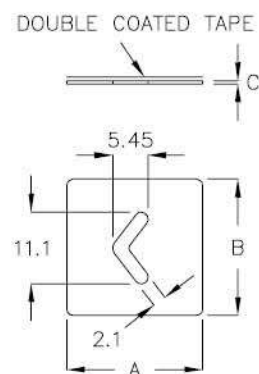
9-14-4



### 墊座 SILICONE RUBBER FOOT 9-15-1

- MATERIAL: SILICONE
- COLOR: BLACK
- ADHESIVE TAPE: 3M or EQUIVALENT

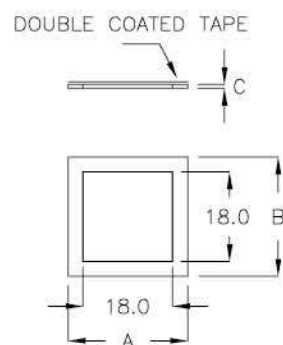
| PART NO | A    | B    | C   | D    | PACKAGE |
|---------|------|------|-----|------|---------|
| GXA-01  | 20.0 | 10.0 | 1.5 | ∅3.5 | 2000    |



### 墊座 SILICONE RUBBER FOOT 9-15-2

- MATERIAL: SILICONE
- COLOR: BLACK
- ADHESIVE TAPE: 3M or EQUIVALENT

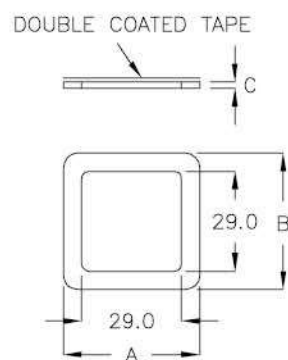
| PART NO | A    | B    | C   | PACKAGE |
|---------|------|------|-----|---------|
| GSP-24  | 24.0 | 24.0 | 0.6 | 500     |



### 墊座 SILICONE RUBBER FOOT 9-15-3

- MATERIAL: SILICONE
- COLOR: BLACK
- ADHESIVE TAPE: 3M or EQUIVALENT

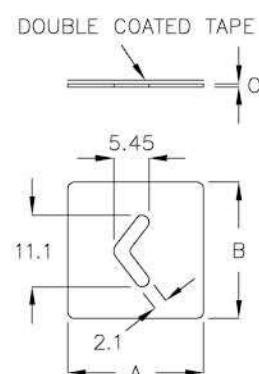
| PART NO    | A    | B    | C   | PACKAGE |
|------------|------|------|-----|---------|
| LDA-3901XB | 39.6 | 39.6 | 1.9 | 400     |



### 墊座 SILICONE RUBBER FOOT 9-15-4

- MATERIAL: SILICONE
- COLOR: BLUE
- ADHESIVE TAPE: 3M or EQUIVALENT

| PART NO | A    | B    | C   | PACKAGE |
|---------|------|------|-----|---------|
| GLD-21  | 21.0 | 21.0 | 0.5 | 500     |





# 10



拉柄

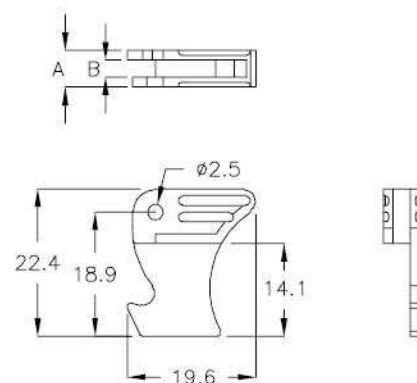
CIRCUIT BOARD EJECTOR



把手蓋 EJECTOR COVER 10-2-1

- MATERIAL: ABS+PC
- FLAME CLASS: 94V-0
- COLOR: ORANGE

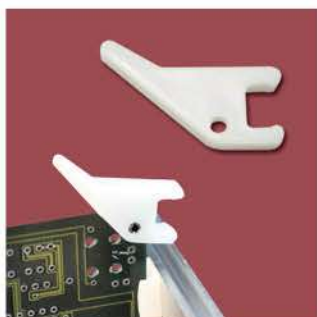
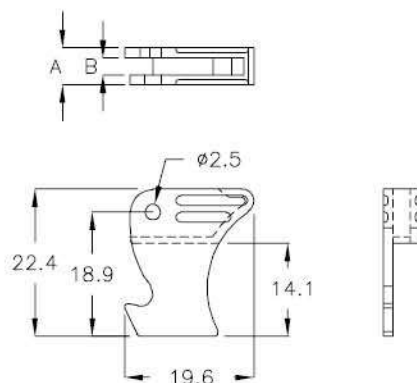
| PART NO | A   | B   | PACKAGE |
|---------|-----|-----|---------|
| MKL-01  | 5.6 | 2.6 | 500     |



把手蓋 EJECTOR COVER 10-2-2

- MATERIAL: ABS+PC
- FLAME CLASS: 94V-0
- COLOR: BLACK

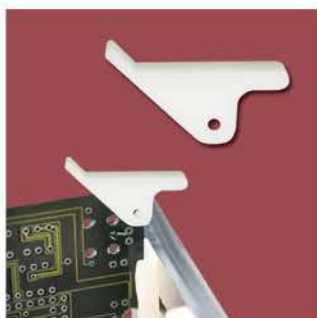
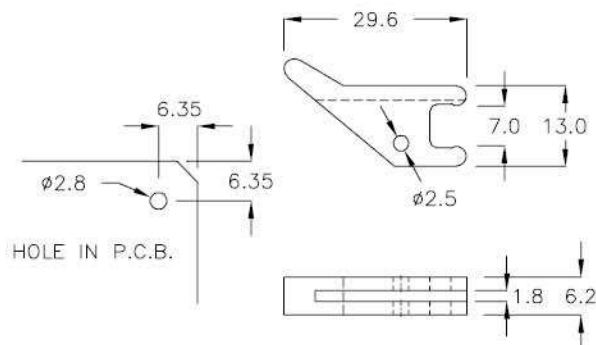
| PART NO | A   | B   | PACKAGE |
|---------|-----|-----|---------|
| MKL-2A  | 5.6 | 2.6 | 500     |



拉柄 CIRCUIT BOARD EJECTOR 10-2-3

- MATERIAL: POM(UL)
- FLAME CLASS: 94HB
- COLOR: NATURAL
- \*WITH PIN
- 附 PIN

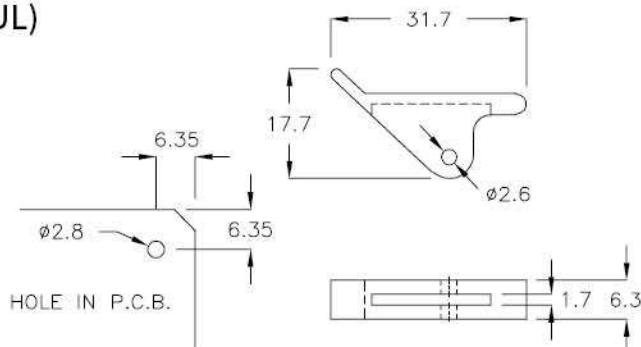
| PART NO | PACKAGE |
|---------|---------|
| CP-10   | 200     |

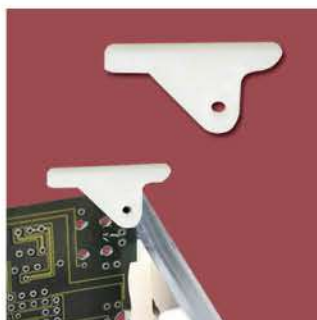


拉柄 CIRCUIT BOARD EJECTOR 10-2-4

- MATERIAL: NYLON 66(UL)
- FLAME CLASS: 94V-2
- COLOR: NATURAL
- \*WITH PIN
- 附 PIN

| PART NO | PACKAGE |
|---------|---------|
| CP-15   | 200     |

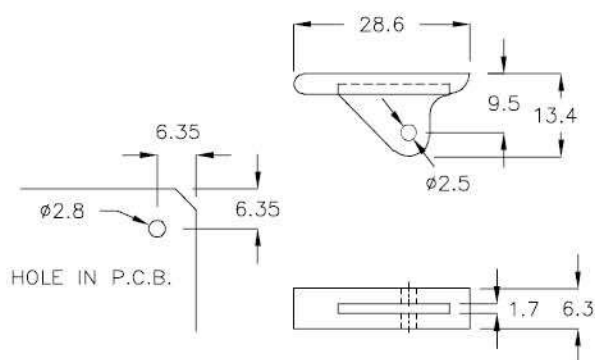




### 拉柄 CIRCUIT BOARD EJECTOR 10-3-1

- MATERIAL: NYLON 66(UL)
- FLAME CLASS: 94V-2
- COLOR: NATURAL
- \*WITH PIN
- 附 PIN

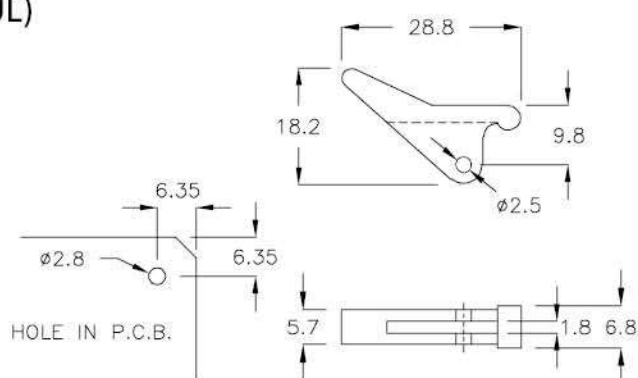
| PART NO | PACKAGE |
|---------|---------|
| CP-20   | 200     |



### 拉柄 CIRCUIT BOARD EJECTOR 10-3-2

- MATERIAL: NYLON 66(UL)
- FLAME CLASS: 94V-2
- COLOR: NATURAL
- \*WITH PIN
- 附 PIN

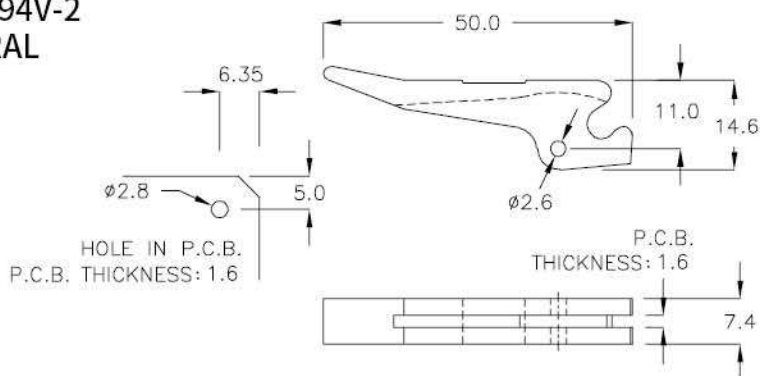
| PART NO | PACKAGE |
|---------|---------|
| CP-25   | 200     |

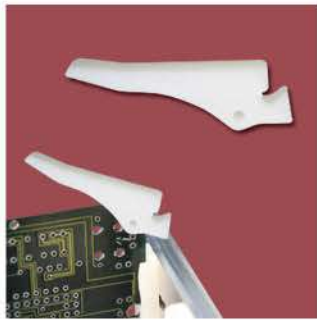


### 拉柄 CIRCUIT BOARD EJECTOR 10-3-3

- MATERIAL: NYLON 66(UL)
- FLAME CLASS: 94V-2
- COLOR: NATURAL
- \*WITH PIN
- 附 PIN

| PART NO | PACKAGE |
|---------|---------|
| CP-30   | 200     |

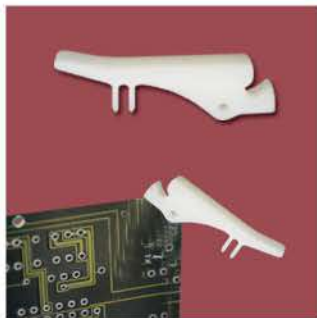
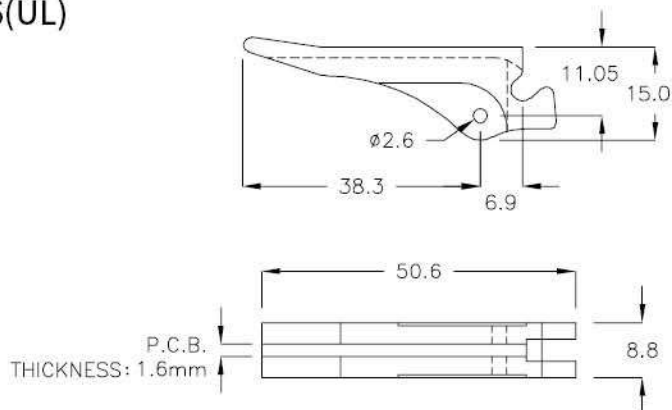




| PART NO | PACKAGE |
|---------|---------|
| CP-31   | 200     |

拉柄 CIRCUIT BOARD EJECTOR 10-4-1

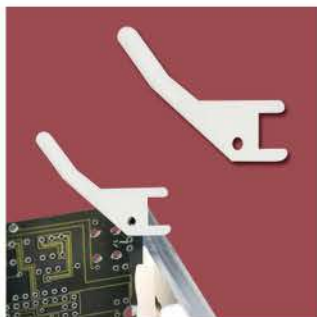
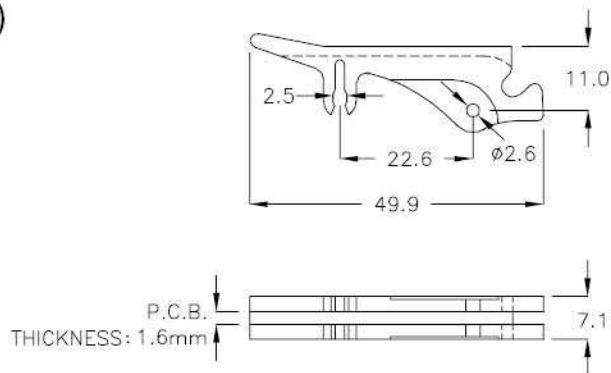
- MATERIAL: NYLON 66(UL)
- FLAME CLASS: 94V-2
- COLOR: NATURAL
- \*WITH PIN
- 附 PIN



| PART NO | PACKAGE |
|---------|---------|
| CP-31C  | 200     |

拉柄 CIRCUIT BOARD EJECTOR 10-4-2

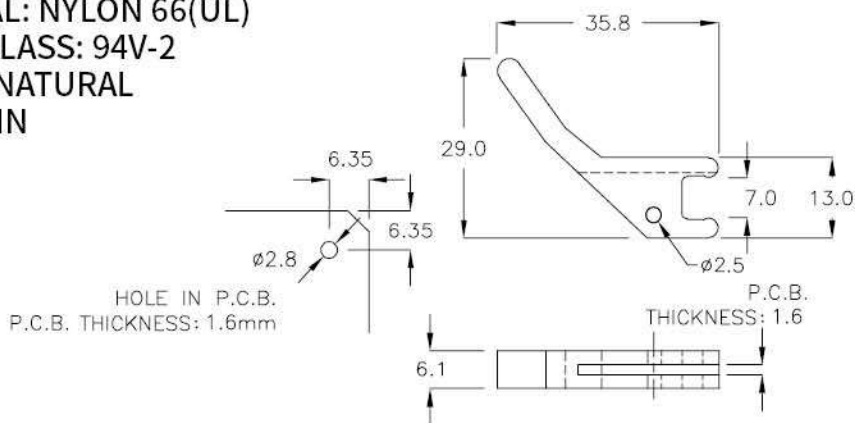
- MATERIAL: NYLON 66(UL)
- FLAME CLASS: 94V-2
- COLOR: NATURAL
- \*WITH PIN
- 附 PIN



| PART NO | PACKAGE |
|---------|---------|
| CP-32   | 200     |

拉柄 CIRCUIT BOARD EJECTOR 10-4-3

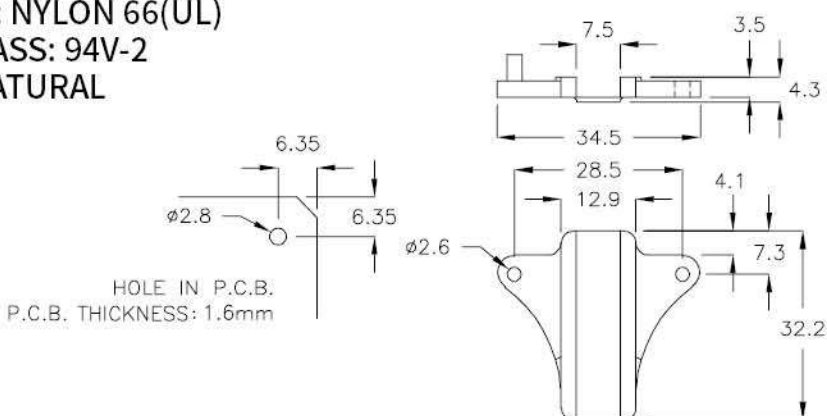
- MATERIAL: NYLON 66(UL)
- FLAME CLASS: 94V-2
- COLOR: NATURAL
- \*WITH PIN
- 附 PIN



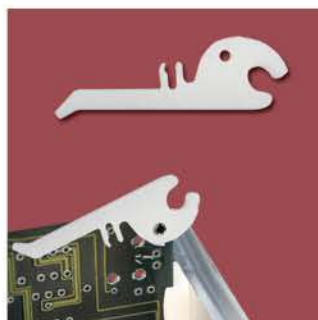
| PART NO | PACKAGE |
|---------|---------|
| CP-33   | 500     |

拉柄 CIRCUIT BOARD EJECTOR 10-4-4

- MATERIAL: NYLON 66(UL)
- FLAME CLASS: 94V-2
- COLOR: NATURAL

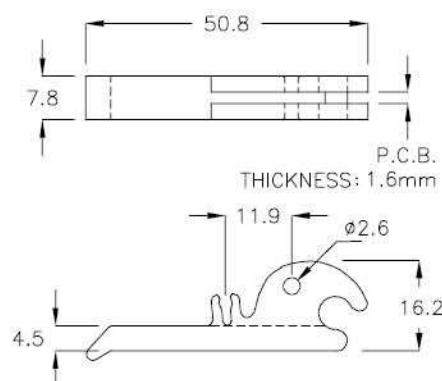






### 拉柄 CIRCUIT BOARD EJECTOR 10-5-1

- MATERIAL: NYLON 66(UL)
- FLAME CLASS: 94V-2
- COLOR: NATURAL
- \*WITH PIN
- 附 PIN

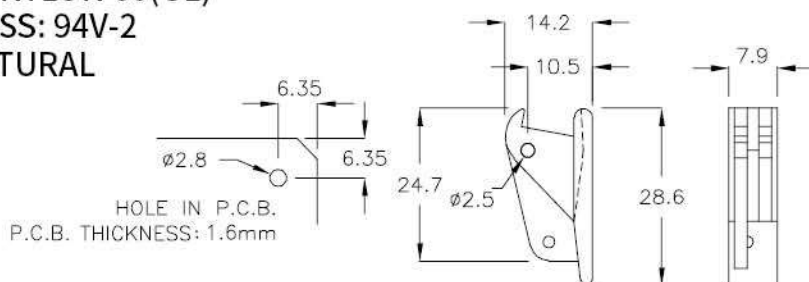


| PART NO | PACKAGE |
|---------|---------|
| CP-034  | 200     |



### 拉柄 CIRCUIT BOARD EJECTOR 10-5-2

- MATERIAL: NYLON 66(UL)
- FLAME CLASS: 94V-2
- COLOR: NATURAL
- \*WITH PIN
- 附 PIN

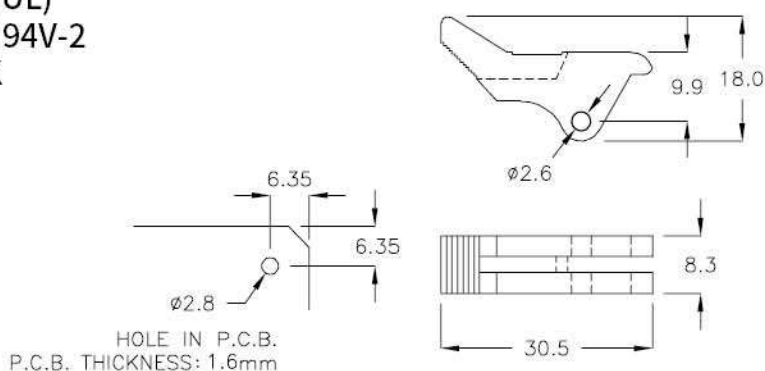


| PART NO | PACKAGE |
|---------|---------|
| CP-35   | 200     |



### 拉柄 CIRCUIT BOARD EJECTOR 10-5-3

- MATERIAL: PC(UL)
- FLAME CLASS: 94V-2
- COLOR: BLACK
- \*WITH PIN
- 附 PIN



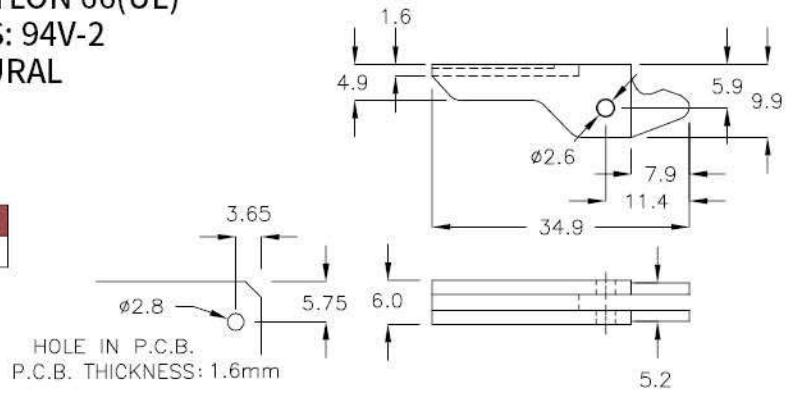
| PART NO | PACKAGE |
|---------|---------|
| CP-36   | 200     |



拉柄 CIRCUIT BOARD EJECTOR 10-6-1

- MATERIAL: NYLON 66(UL)
- FLAME CLASS: 94V-2
- COLOR: NATURAL
- \*WITH PIN
- 附 PIN

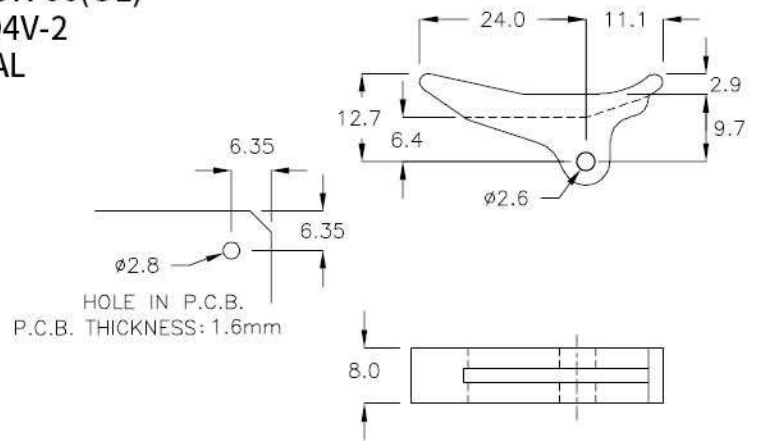
| PART NO | PACKAGE |
|---------|---------|
| CP-37   | 200     |



拉柄 CIRCUIT BOARD EJECTOR 10-6-2

- MATERIAL: NYLON 66(UL)
- FLAME CLASS: 94V-2
- COLOR: NATURAL
- \*WITH PIN
- 附 PIN

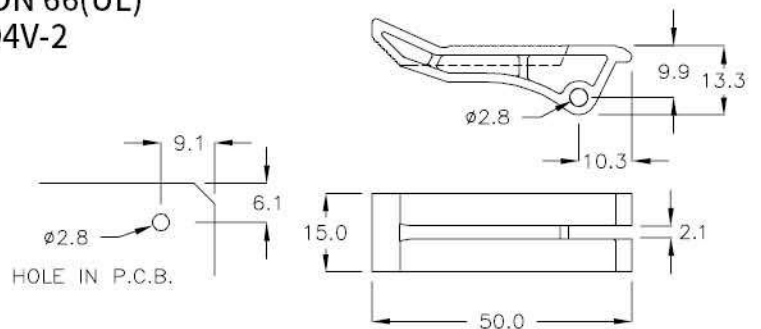
| PART NO | PACKAGE |
|---------|---------|
| CP-39   | 200     |



拉柄 CIRCUIT BOARD EJECTOR 10-6-3

- MATERIAL: NYLON 66(UL)
- FLAME CLASS: 94V-2
- COLOR: BLACK

| PART NO | PACKAGE |
|---------|---------|
| CP-50D  | 200     |

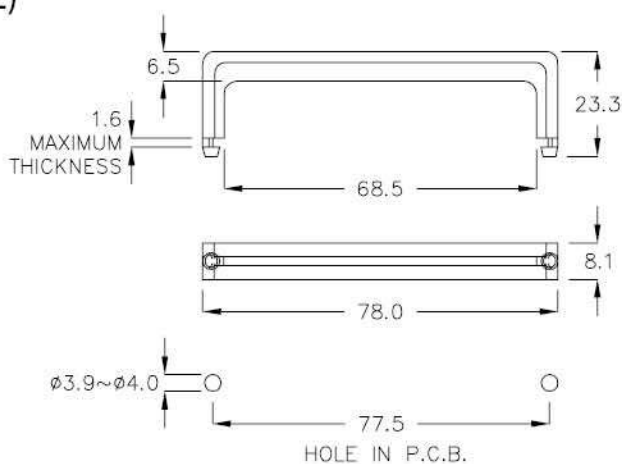




## 拉柄 CIRCUIT BOARD EJECTOR 10-7-1

- MATERIAL: NYLON 66(UL)
- FLAME CLASS: 94V-2
- COLOR: NATURAL

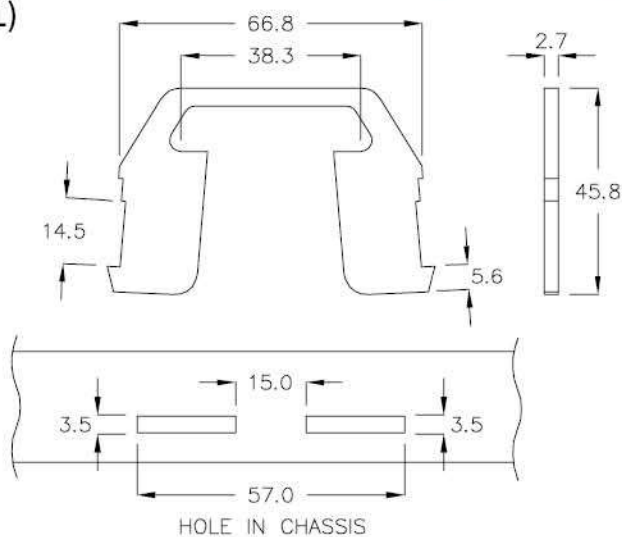
| PART NO | PACKAGE |
|---------|---------|
| CP-50   | 100     |



## 拉柄 CIRCUIT BOARD EJECTOR 10-7-2

- MATERIAL: NYLON 66(UL)
- FLAME CLASS: 94V-2
- COLOR: NATURAL

| PART NO | PACKAGE |
|---------|---------|
| CP-60   | 100     |



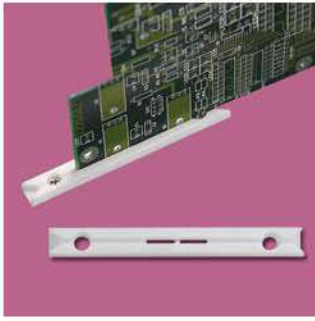


# 11



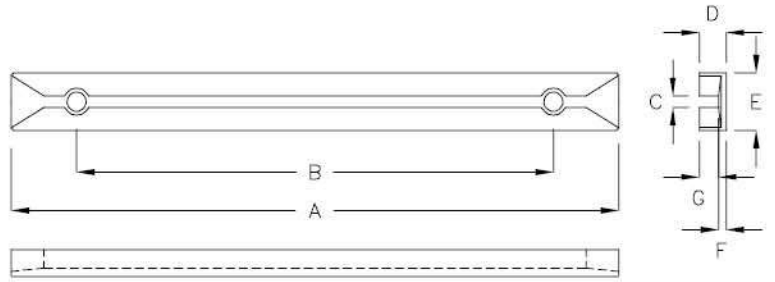
導槽

P.C.B GUIDE RAIL



印刷電路板導槽 PCB GUIDE RAIL 11-2-1

- MATERIAL: NYLON 66(UL)
- FLAME CLASS: 94V-2
- COLOR: NATURAL
- USE M3x6 FLAT HEAD SCREW

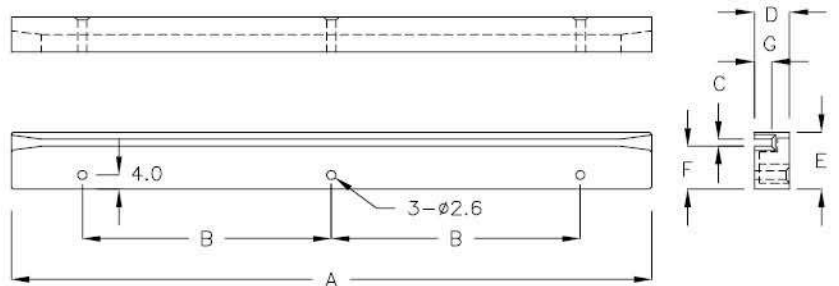


| PART NO | A     | B     | C   | D   | E    | F   | G   | PACKAGE |
|---------|-------|-------|-----|-----|------|-----|-----|---------|
| CG-9    | 89.0  | 64.5  | 1.9 | 4.5 | 9.8  | 1.5 | 3.0 | 100     |
| CG-9AS  | 100.0 | 77.4  | 2.2 | 7.2 | 10.0 | 1.7 | 5.5 |         |
| CG-9L   | 91.0  | 67.0  | 1.9 | 8.8 | 9.2  | 1.6 | 7.2 |         |
| CG-12   | 119.0 | 94.5  | 1.6 | 4.5 | 9.8  | 1.5 | 3.0 |         |
| CG-12F  | 119.0 | 94.5  | 1.9 | 4.5 | 9.8  | 1.5 | 3.0 |         |
| CG-14   | 139.8 | 114.5 | 1.9 | 4.3 | 9.7  | 1.5 | 2.8 |         |
| CG-16   | 158.7 | 135.0 | 1.9 | 4.3 | 9.7  | 1.5 | 2.8 |         |
| CG-18   | 180.0 | 150.0 | 3.5 | 9.0 | 12.0 | 3.0 | 6.0 |         |



印刷電路板導槽 PCB GUIDE RAIL 11-2-2

- MATERIAL: NYLON 66(UL)
- FLAME CLASS: 94V-2
- COLOR: NATURAL

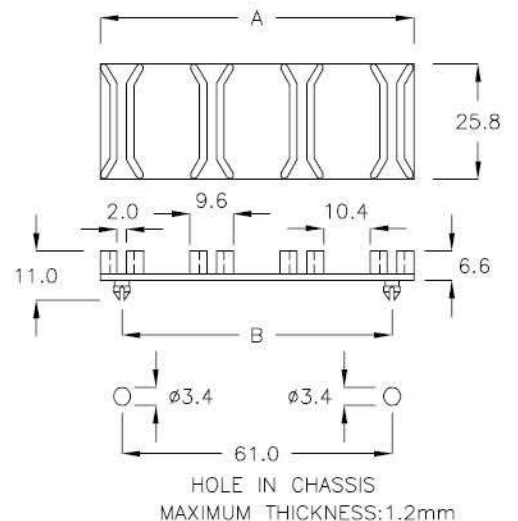


| PART NO | A     | B    | C   | D    | E    | F    | G   | PACKAGE |
|---------|-------|------|-----|------|------|------|-----|---------|
| CF-180  | 180.5 | 70.0 | 2.0 | 10.0 | 16.0 | 12.0 | 5.0 | 50      |



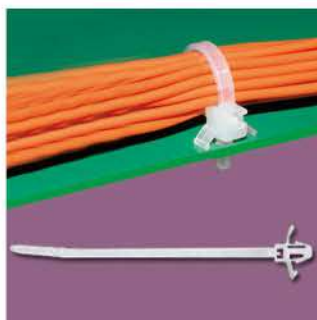
印刷電路板導槽 PCB GUIDE RAIL 11-2-3

- MATERIAL: NYLON 66(UL)
- FLAME CLASS: 94V-2
- COLOR: NATURAL
- NO EXTRA SCREW NEEDED



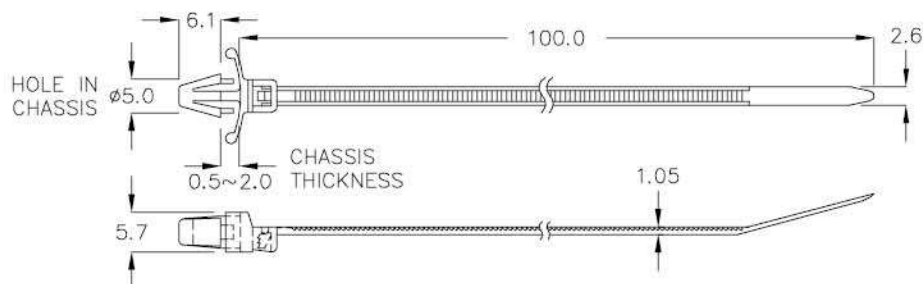
| PART NO | A    | B    | PACKAGE |
|---------|------|------|---------|
| CG-2Ax4 | 70.5 | 61.0 | 50      |

HOLE IN CHASSIS  
MAXIMUM THICKNESS:1.2mm

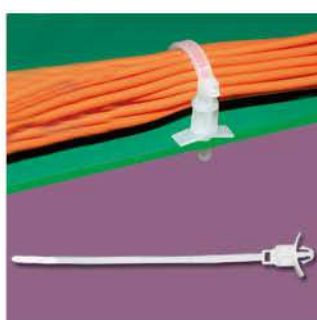


電線束線帶 MOUNTING CABLE TIE 12-19-1

- MATERIAL: NYLON 66(UL)
- FLAME CLASS: 94V-2
- COLOR: NATURAL

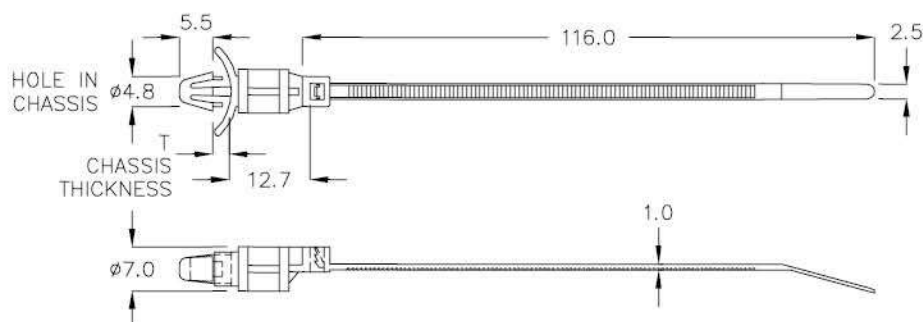


| PART NO | APPROX LENGTH | APPROX WIDTH | MAX BUNDLE DIA | PACKAGE |
|---------|---------------|--------------|----------------|---------|
| YJ-99T  | 108(4.25")    | 2.6(0.10")   | 22.0(0.86")    | 500     |

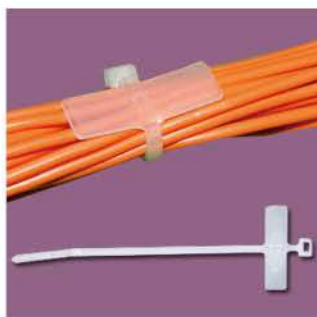


電線束線帶 MOUNTING CABLE TIE 12-19-2

- MATERIAL: NYLON 66(UL)
- FLAME CLASS: 94V-2
- COLOR: NATURAL

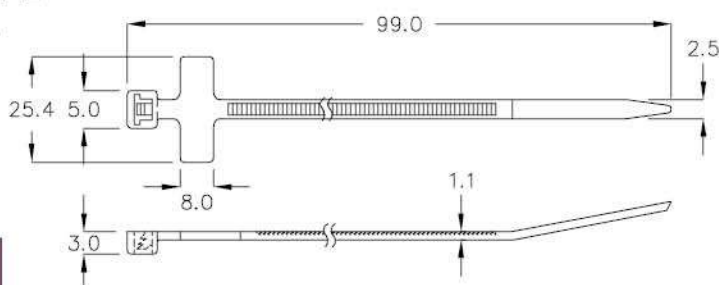


| PART NO | APPROX LENGTH | APPROX WIDTH | MAX BUNDLE DIA | T CHASSIS THICKNESS | PACKAGE |
|---------|---------------|--------------|----------------|---------------------|---------|
| YJ-138T | 114.8(4.52")  | 2.5(0.10")   | 25.4(1.00")    | 0.6~2.0             | 500     |



電線束線帶 MARKER TIE 12-19-3

- MATERIAL: NYLON 66(UL)
- FLAME CLASS: 94V-2
- COLOR: NATURAL

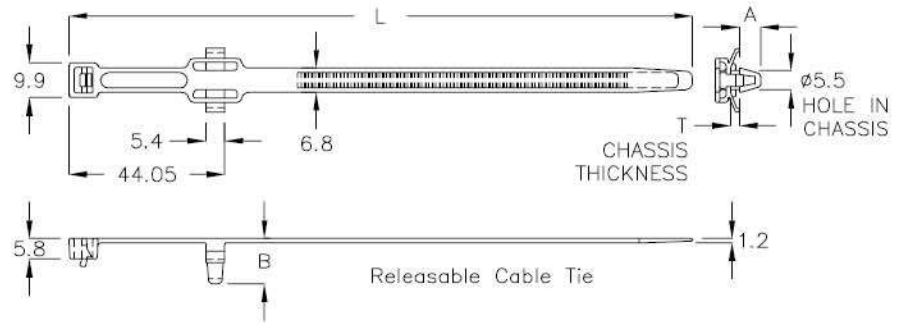


| PART NO | APPROX LENGTH | APPROX WIDTH | MAX BUNDLE DIA | PACKAGE |
|---------|---------------|--------------|----------------|---------|
| MCT-98  | 99(3.86")     | 2.5(0.10")   | 21.0(0.81")    | 500     |



## 電線束線帶 MOUNTING CABLE TIE ———— 12-20-1

- MATERIAL: NYLON 66(UL)
- FLAME CLASS: 94V-0
- COLOR: BLACK

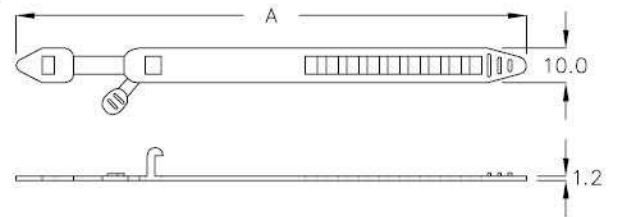


| PART NO   | A   | B    | L          | APPROX WIDTH | MAX BUNDLE DIA | T CHASSIS THICKNESS | PACKAGE |
|-----------|-----|------|------------|--------------|----------------|---------------------|---------|
| YAM-180MQ | 6.0 | 12.8 | 180(7.09") | 6.8(0.268")  | 45.0(1.772")   | 0.5~2.0             | 200     |
| YAM-180RC | 5.1 | 12.4 | 180(7.09") | 6.8(0.268")  | 45.0(1.772")   | 2.3~2.5             |         |



## 電源收線固定帶 STRAP TIE ———— 12-20-2

- MATERIAL: PE
- COLOR: NATURAL, BLACK

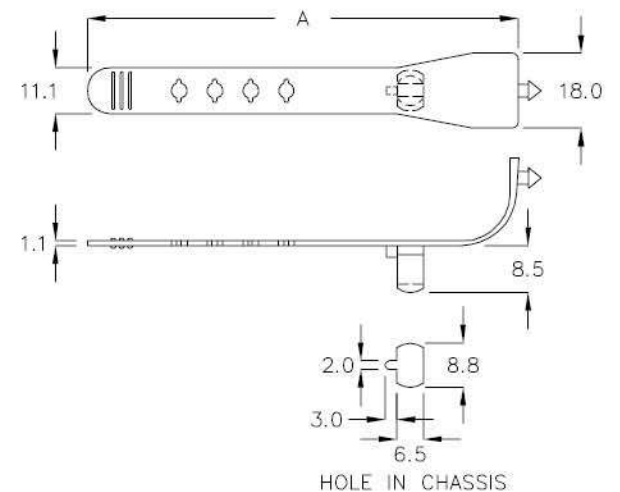


| PART NO | A     | SUITABLE BUNDLE DIA | PACKAGE |
|---------|-------|---------------------|---------|
| BST-1   | 138.8 | ∅10.0~∅27.0         | 500     |



## 電源收線固定帶 STRAP TIE ———— 12-20-3

- MATERIAL: PE
- COLOR: BLACK



| PART NO | A     | PACKAGE |
|---------|-------|---------|
| BST-2   | 103.6 | 200     |

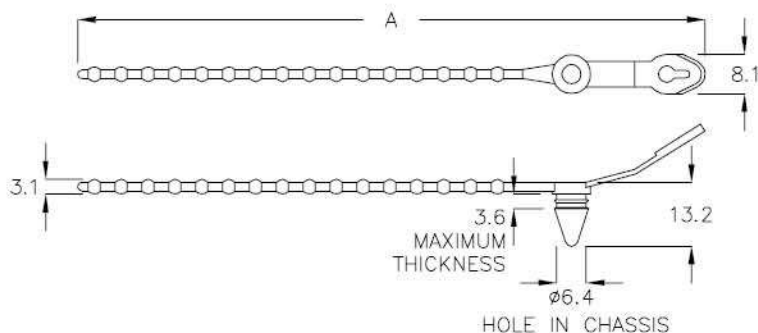




電源收線固定帶 STRAP TIE 12-21-1

- MATERIAL: NYLON 66(UL)
- FLAME CLASS: 94V-2
- COLOR: NATURAL, BLACK

| PART NO | A     | SUITABLE BUNDLE DIA | PACKAGE |
|---------|-------|---------------------|---------|
| BST-3   | 129.0 | ø15.0~ø35.0         | 500     |

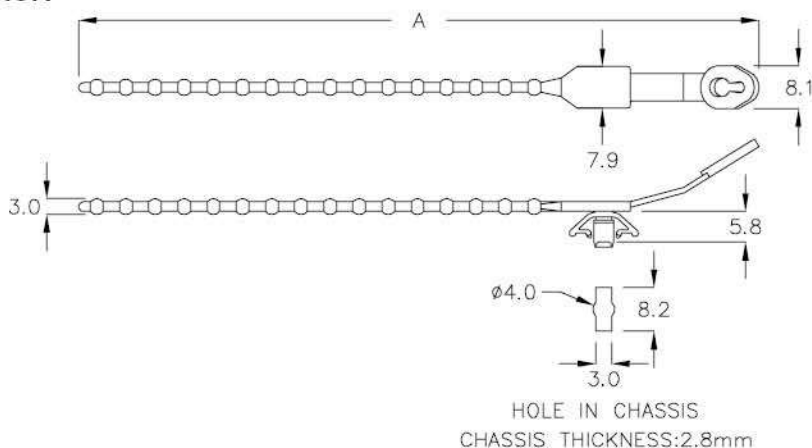


電源收線固定帶 STRAP TIE 12-21-2

- MATERIAL: NYLON 66(UL)
- FLAME CLASS: 94V-2
- COLOR: BLACK

INSERT WITH 90 DEGREE ANGLE AND PRESS DOWN

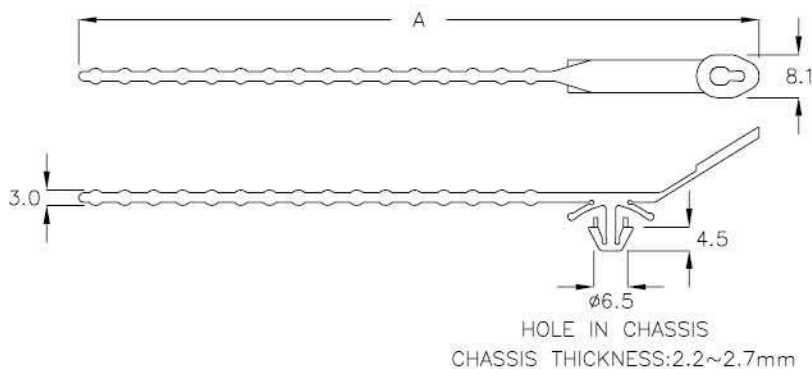
| PART NO | A     | SUITABLE BUNDLE DIA | PACKAGE |
|---------|-------|---------------------|---------|
| BST-128 | 128.3 | ø15.0~ø33.0         | 500     |



電源收線固定帶 STRAP TIE 12-21-3

- MATERIAL: NYLON 66(UL)
- FLAME CLASS: 94V-2
- COLOR: NATURAL, BLACK

| PART NO | A     | SUITABLE BUNDLE DIA | PACKAGE |
|---------|-------|---------------------|---------|
| BST-129 | 129.0 | ø15.0~ø35.0         | 500     |

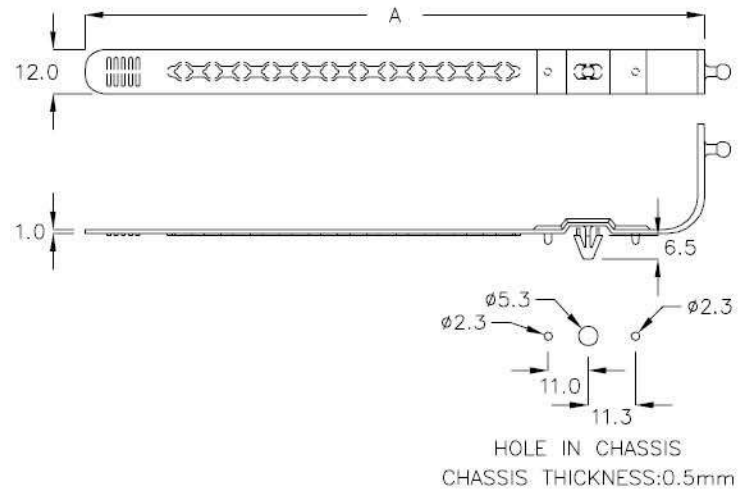




### 電源收線固定帶 STRAP TIE 12-22-1

- MATERIAL: PE
- COLOR: BLACK

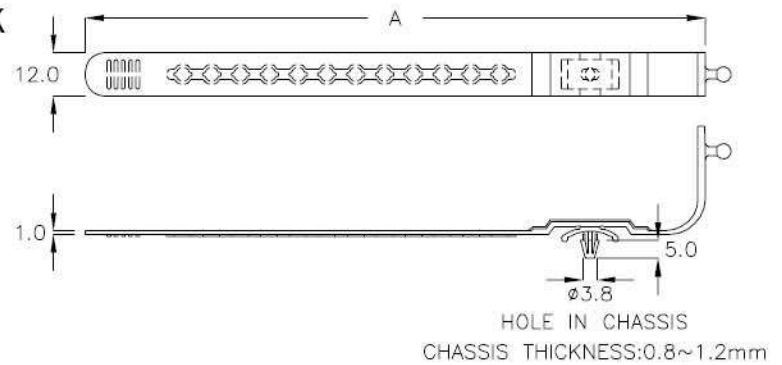
| PART NO  | A     | SUITABLE BUNDLE DIA | PACKAGE |
|----------|-------|---------------------|---------|
| BST-170C | 170.0 | ∅30.0~∅44.0         | 100     |



### 電源收線固定帶 STRAP TIE 12-22-2

- MATERIAL: PE
- COLOR: BLACK

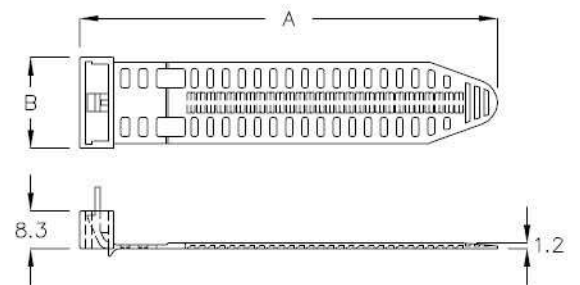
| PART NO   | A     | SUITABLE BUNDLE DIA | PACKAGE |
|-----------|-------|---------------------|---------|
| BST-172CF | 172.0 | ∅30.0~∅44.0         | 200     |



### 電源收線固定帶 STRAP TIE 12-22-3

- MATERIAL: NYLON 66(UL)
- FLAME CLASS: 94V-2
- COLOR: BLACK

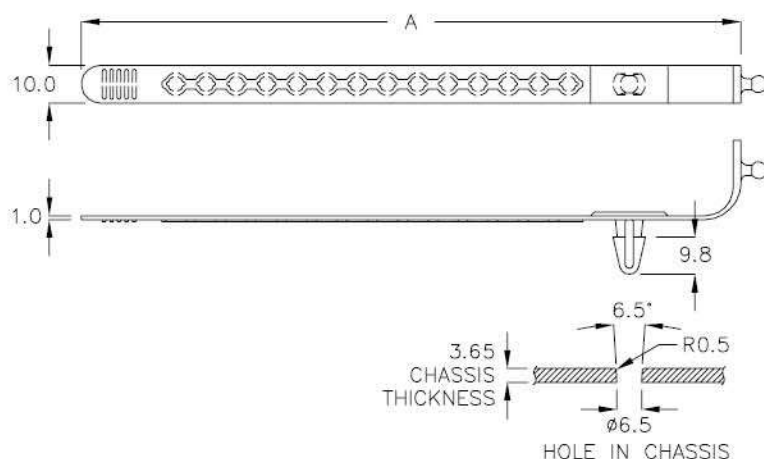
| PART NO | A    | B    | SUITABLE BUNDLE DIA | PACKAGE |
|---------|------|------|---------------------|---------|
| YJD-85H | 92.5 | 20.1 | ∅9.0~∅19.0          | 100     |





電源收線固定帶 STRAP TIE | 12-23-1 |

- MATERIAL: PE
- COLOR: BLACK

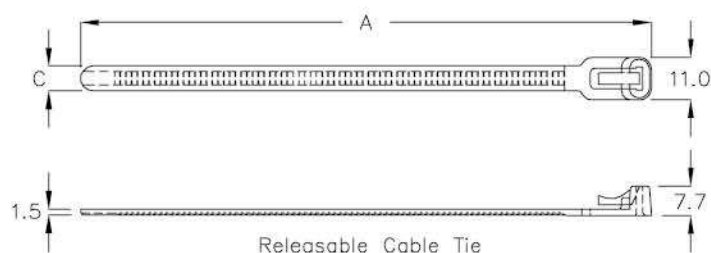


| PART NO  | A     | SUITABLE BUNDLE DIA | PACKAGE |
|----------|-------|---------------------|---------|
| BST-174A | 174.5 | ø25.0~ø44.0         | 100     |



電源收線固定帶 STRAP TIE | 12-23-2 |

- MATERIAL: NYLON 66(UL)
- FLAME CLASS: 94V-2
- COLOR: NATURAL

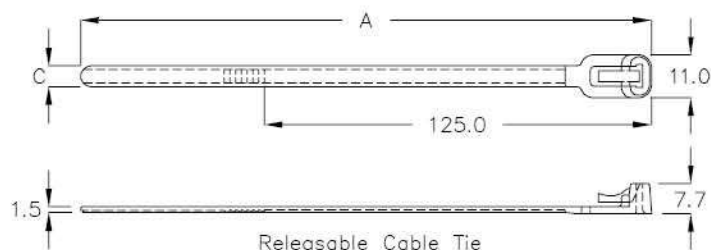


| PART NO  | A     | C   | SUITABLE BUNDLE DIA | PACKAGE |
|----------|-------|-----|---------------------|---------|
| YAK-148  | 148.0 | 7.5 | ø8.0~ø36.0          | 500     |
| YAK-196A | 196.4 | 5.5 | ø8.0~ø50.0          |         |



電源收線固定帶 STRAP TIE | 12-23-3 |

- MATERIAL: NYLON 66(UL)
- FLAME CLASS: 94V-2
- COLOR: BLACK



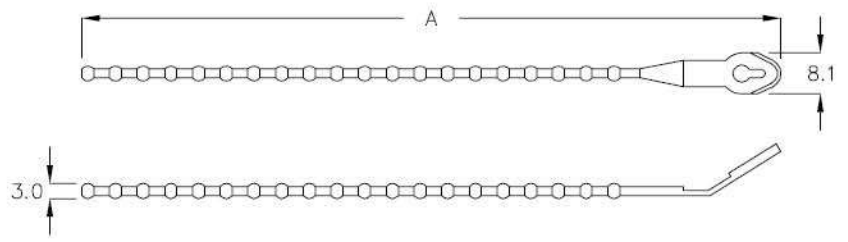
| PART NO  | A     | C   | SUITABLE BUNDLE DIA | PACKAGE |
|----------|-------|-----|---------------------|---------|
| YAKS-196 | 196.4 | 5.5 | ø33.0~ø35.0         | 500     |



### 電源收線固定帶 STRAP TIE 12-24-1

- MATERIAL: NYLON 66(UL)
- FLAME CLASS: 94V-2
- COLOR: NATURAL, BLACK

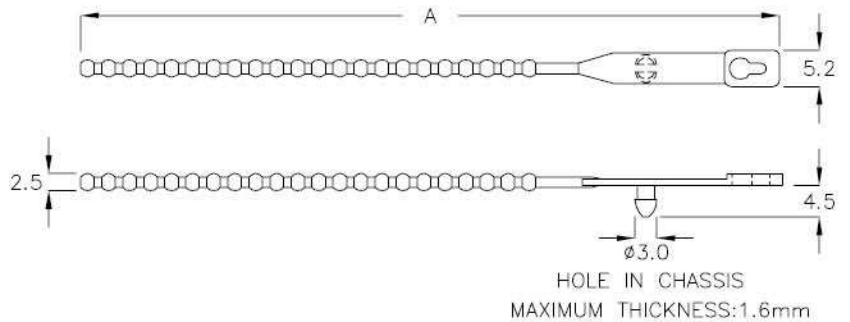
| PART NO | A     | SUITABLE BUNDLE DIA | PACKAGE |
|---------|-------|---------------------|---------|
| BST-3A  | 142.0 | ø5.5~ø39.0          | 500     |



### 電源收線固定帶 STRAP TIE 12-24-2

- MATERIAL: NYLON 66(UL)
- FLAME CLASS: 94V-2
- COLOR: BLACK

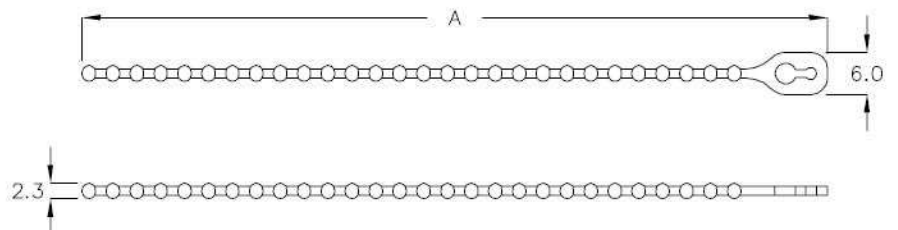
| PART NO | A     | SUITABLE BUNDLE DIA | PACKAGE |
|---------|-------|---------------------|---------|
| BST-5   | 103.0 | ø9.5~ø27.0          | 500     |



### 活動束線帶 MOVABLE TIE 12-24-3

- MATERIAL: NYLON 66(UL)
- FLAME CLASS: 94V-2
- COLOR: NATURAL, BLACK

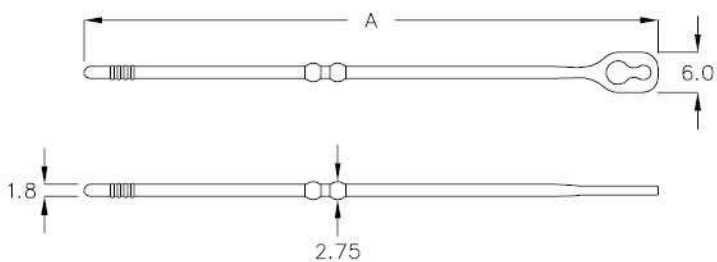
| PART NO | A     | SUITABLE BUNDLE DIA | PACKAGE |
|---------|-------|---------------------|---------|
| BST-6C  | 70.0  | ø6.0~ø17.0          | 500     |
| BST-6HJ | 88.0  | ø6.0~ø20.0          |         |
| BST-6A  | 106.0 | ø6.0~ø27.0          |         |





活動束線帶 STRAP TIE | 12-25-1 |

- MATERIAL: NYLON 66(UL)
- FLAME CLASS: 94V-2
- COLOR: BLACK

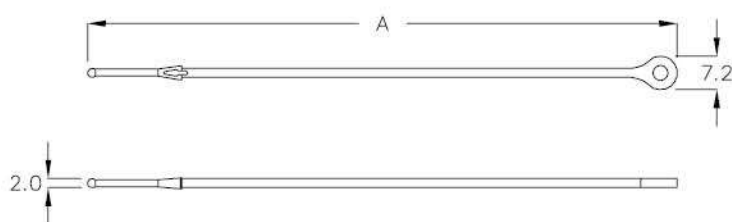


| PART NO | A    | SUITABLE BUNDLE DIA | PACKAGE |
|---------|------|---------------------|---------|
| BXR-86  | 86.0 | ∅13.0               | 500     |



活動束線帶 STRAP TIE | 12-25-2 |

- MATERIAL: NYLON 66(UL)
- FLAME CLASS: 94V-2
- COLOR: NATURAL, BLACK

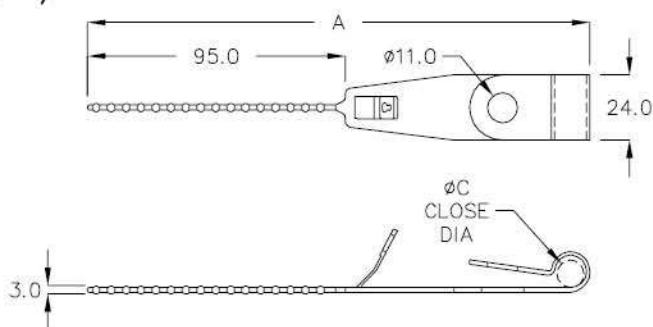


| PART NO | A     | SUITABLE BUNDLE DIA | PACKAGE |
|---------|-------|---------------------|---------|
| BFN-102 | 125.6 | ∅30.0               | 500     |



活動束線帶 STRAP TIE | 12-25-3 |

- MATERIAL: NYLON 66(UL)
- FLAME CLASS: 94V-2
- COLOR: BLACK

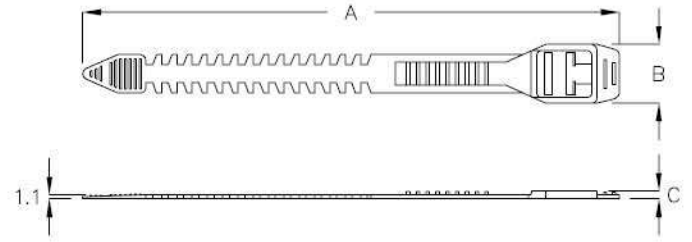


| PART NO  | A     | C CLOSE DIA | SUITABLE BUNDLE DIA | PACKAGE |
|----------|-------|-------------|---------------------|---------|
| BST-185P | 185.0 | ∅10.0       | ∅15.4~∅32.4         | 10      |



### 電源收線固定帶 STRAP TIE 12-26-1

- MATERIAL: PE
- COLOR: NATURAL, BLACK

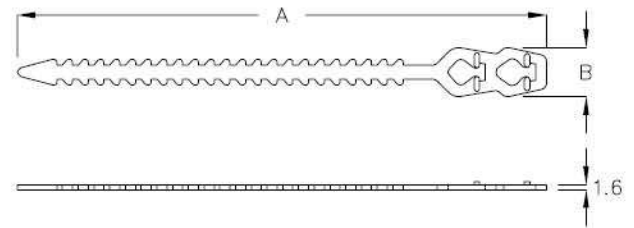


| PART NO | A     | B    | C    | SUITABLE BUNDLE DIA | PACKAGE |
|---------|-------|------|------|---------------------|---------|
| LST-6   | 141.5 | 15.5 | 2.05 | ∅16.0~∅34.0         | 500     |
| LST-8   | 158.5 | 15.8 | 2.5  | ∅26.0~∅38.0         | 100     |



### 電源收線固定帶 STRAP TIE 12-26-2

- MATERIAL: PE
- COLOR: NATURAL, BLACK

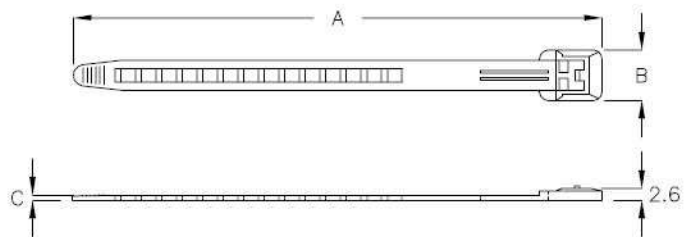


| PART NO | A     | B    | SUITABLE BUNDLE DIA | PACKAGE |
|---------|-------|------|---------------------|---------|
| LST-10  | 208.0 | 14.6 | ∅5.0~∅47.0          | 500     |

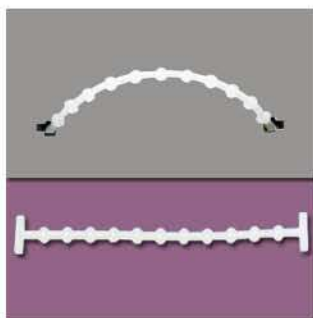


### 電源收線固定帶 STRAP TIE 12-26-3

- COLOR: NATURAL, BLACK

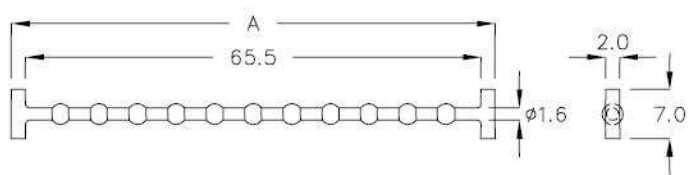


| PART NO | MATERIAL | A     | B    | C   | SUITABLE BUNDLE DIA | PACKAGE |
|---------|----------|-------|------|-----|---------------------|---------|
| PST-1   | N66      | 125.0 | 13.0 | 1.6 | ∅15.0~∅33.0         | 500     |
| PST-2A  | N66/PE   | 151.5 | 14.5 | 1.4 | ∅15.0~∅39.0         |         |
| PST-5   | PE       | 180.4 | 14.5 | 1.5 | ∅15.5~∅47.5         |         |
| PST-6   | PE       | 209.0 | 14.5 | 1.5 | ∅20.0~∅55.0         |         |



### 活動束線帶 STRAP TIE 12-27-1

- MATERIAL: NYLON 66(UL)
- FLAME CLASS: 94V-2
- COLOR: NATURAL

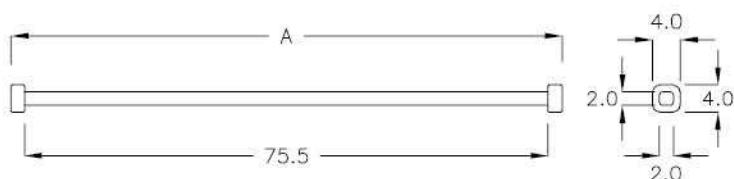


| PART NO | A    | PACKAGE |
|---------|------|---------|
| BST-4   | 69.5 | 1000    |

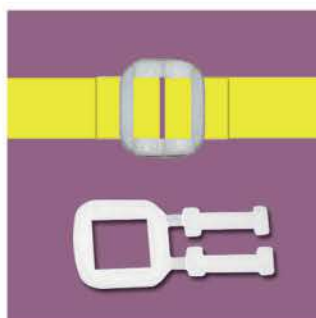


### 把手 PULLER 12-27-2

- MATERIAL: NYLON 66(UL)
- FLAME CLASS: 94V-2
- COLOR: BLACK

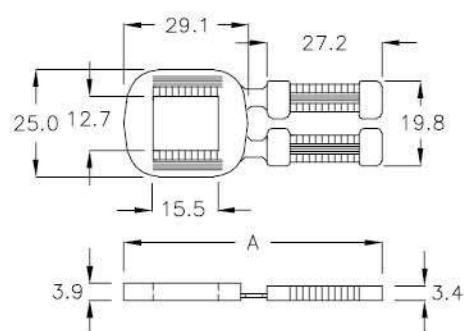


| PART NO | A    | PACKAGE |
|---------|------|---------|
| BSQ-75A | 79.5 | 2000    |



### 打包扣 PACKING FASTENER 12-27-3

- MATERIAL: PP
- COLOR: NATURAL



| PART NO | A    | PACKAGE |
|---------|------|---------|
| PF-1    | 60.8 | 200     |







其他塑膠製品

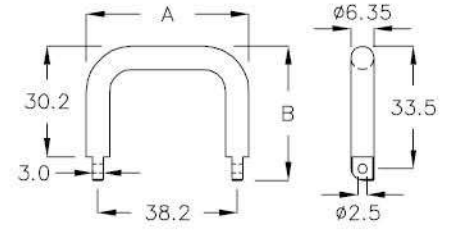
HANDLE  
HOUSING  
COVER



把手 HANDLE | 13-2-1 |

- MATERIAL: POM(UL)
- FLAME CLASS: 94HB
- COLOR: BLACK

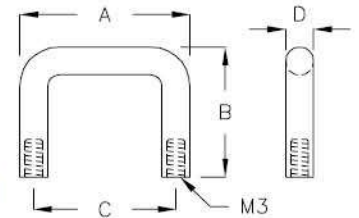
| PART NO | A     | B    | PACKAGE |
|---------|-------|------|---------|
| BSA-38  | 44.55 | 36.7 | 200     |



把手 HANDLE | 13-2-2 |

- MATERIAL: ABS+PC, PC(UL)
- FLAME CLASS: 94V-0
- COLOR: BLACK
- MATERIAL: BRASS

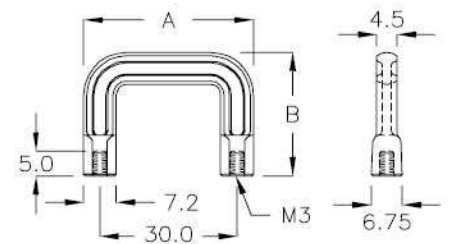
| PART NO  | MATERIAL | A    | B    | C    | D   | PACKAGE |
|----------|----------|------|------|------|-----|---------|
| BWK-32PM | ABS+PC   | 38.3 | 29.3 | 32.0 | 6.3 | 200     |
| BWK-45DK | PC       | 52.3 | 22.5 | 45.3 | 7.0 |         |
| BWK-51CT | ABS+PC   | 57.3 | 32.0 | 51.0 | 6.3 |         |



把手 HANDLE | 13-2-3 |

- MATERIAL: PC(UL)
- FLAME CLASS: 94V-0
- COLOR: BLACK
- MATERIAL: BRASS

| PART NO  | A    | B    | PACKAGE |
|----------|------|------|---------|
| BSG-30MF | 37.2 | 27.0 | 200     |



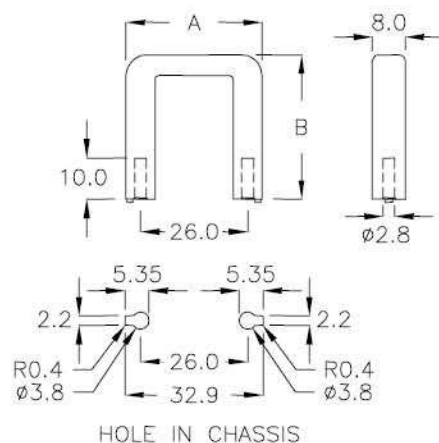


## 把手 HANDLE

13-3-1

- MATERIAL: ABS+PC
- FLAME CLASS: 94V-0
- COLOR: BLACK
- USE M3.5x8 TAPPING SCREW

| PART NO | A    | B    | PACKAGE |
|---------|------|------|---------|
| BWN-26  | 33.0 | 35.0 | 200     |

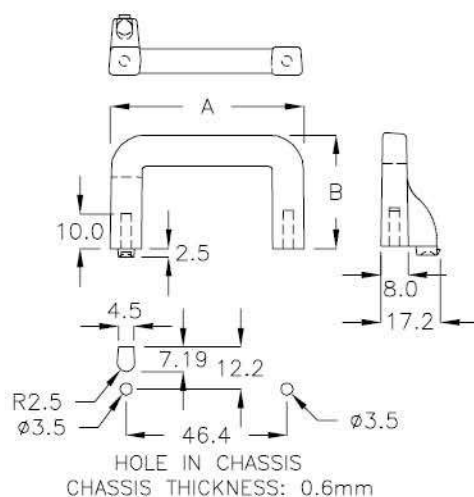


## 把手 HANDLE

13-3-2

- MATERIAL: PC(UL)
- FLAME CLASS: 94V-0
- COLOR: NATURAL
- USE M3.5x8 TAPPING SCREW

| PART NO | A    | B    | PACKAGE |
|---------|------|------|---------|
| BSA-46K | 55.4 | 32.7 | 200     |

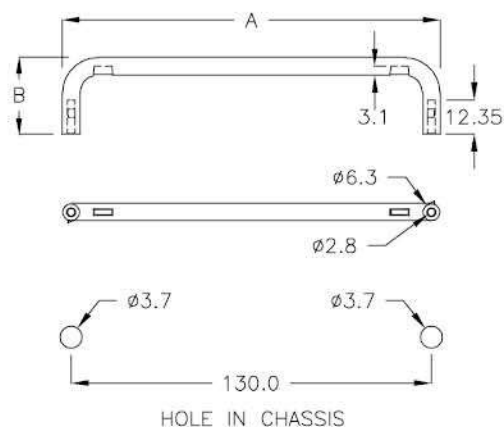


## 把手 HANDLE

13-3-3

- MATERIAL: ABS+PC(UL)
- FLAME CLASS: 94V-0
- COLOR: BLACK
- USE: M3.5 TAPPING SCREW

| PART NO | A     | B     | PACKAGE |
|---------|-------|-------|---------|
| BSA-130 | 136.3 | 27.65 | 100     |

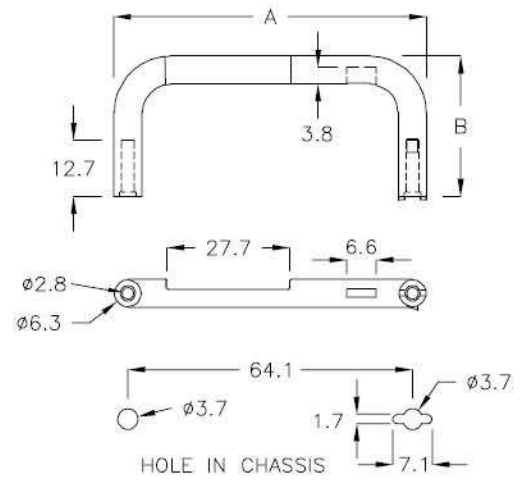




把手 HANDLE | 13-4-1

- MATERIAL: ABS+PC(UL)
- FLAME CLASS: 94V-0
- COLOR: BLACK
- USE M3.5 TAPPING SCREW

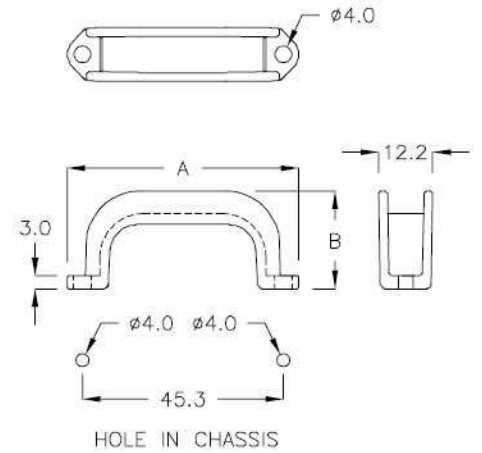
| PART NO | A    | B    | PACKAGE |
|---------|------|------|---------|
| BSA-64  | 70.4 | 31.6 | 200     |



把手 HANDLE | 13-4-2

- MATERIAL: ABS+PC(UL)
- FLAME CLASS: 94V-0
- COLOR: BLACK

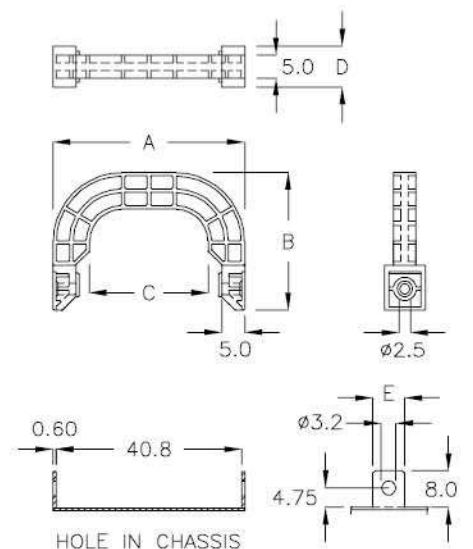
| PART NO | A    | B    | PACKAGE |
|---------|------|------|---------|
| BSC-33  | 52.0 | 22.0 | 200     |



把手 HANDLE | 13-4-3

- MATERIAL: ABS+PC(UL)
- FLAME CLASS: 94V-0
- COLOR: BLACK
- USE M3 TAPPING SCREW

| PART NO | A    | B     | C    | D    | E   | PACKAGE |
|---------|------|-------|------|------|-----|---------|
| BWA-36  | 42.0 | 30.25 | 26.0 | 9.3  | 7.1 | 200     |
| BWA-40H | 42.0 | 20.0  | 30.0 | 10.0 | 6.8 |         |

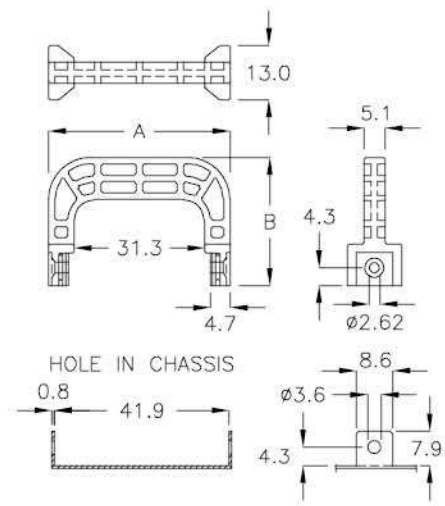




把手 HANDLE | 13-5-1 |

- MATERIAL: ABS+PC(UL)
- FLAME CLASS: 94V-0
- COLOR: BLACK
- USE M3x4 TAPPING SCREW

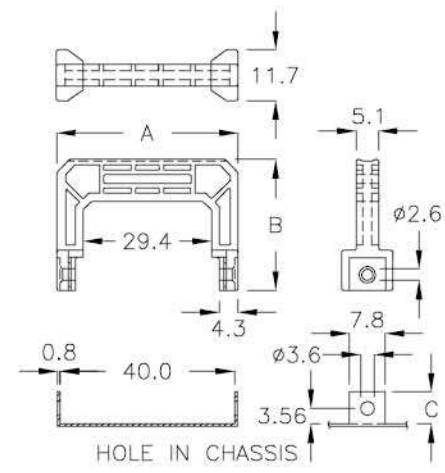
| PART NO | A    | B     | PACKAGE |
|---------|------|-------|---------|
| BWH-43A | 43.5 | 30.65 | 200     |



把手 HANDLE | 13-5-2 |

- MATERIAL: PC(UL)
- FLAME CLASS: 94V-0
- COLOR: BLACK
- USE M3x4 TAPPING SCREW

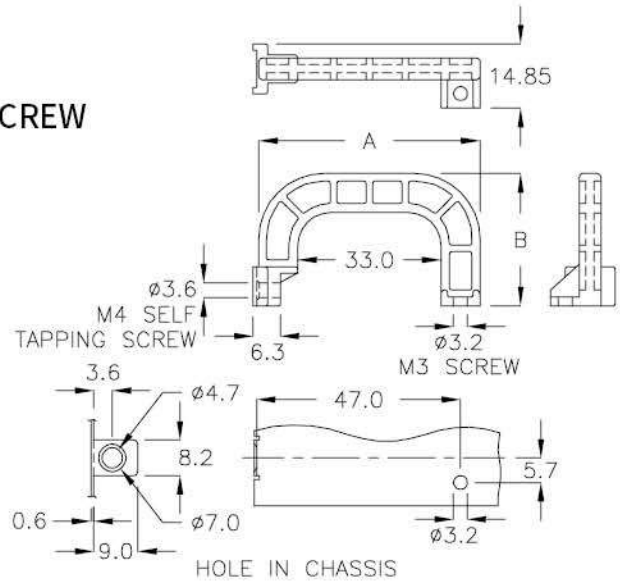
| PART NO  | A    | B    | C    | PACKAGE |
|----------|------|------|------|---------|
| BWF-40GP | 41.6 | 30.0 | 7.25 | 200     |
| BWF-40TS | 41.6 | 30.0 | 6.85 |         |



把手 HANDLE | 13-5-3 |

- MATERIAL: PC(UL)
- FLAME CLASS: 94V-0
- COLOR: BLACK
- USE M4 SELF TAPPING SCREW or M3 SCREW

| PART NO | A    | B    | PACKAGE |
|---------|------|------|---------|
| BWD-47  | 51.0 | 30.5 | 200     |



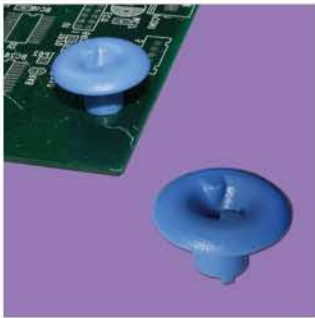
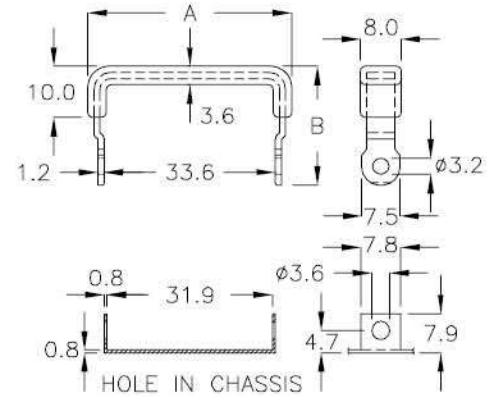


## 把手 HANDLE

13-6-1

- MATERIAL: ABS+PC(UL)
- FLAME CLASS: 94V-0
- COLOR: BLACK
- MATERIAL: SGCC

| PART NO  | A    | B     | PACKAGE |
|----------|------|-------|---------|
| BWJ-33GH | 40.0 | 23.25 | 35      |

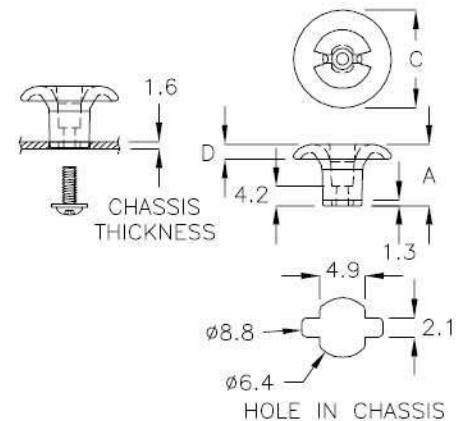


## 把手 HANDLE

13-6-2

- MATERIAL: ABS+PC(UL)
- FLAME CLASS: 94V-0
- COLOR: BLUE
- SCREW: M3 TAPPING SCREW

| PART NO | A    | C    | D   | PACKAGE |
|---------|------|------|-----|---------|
| BJA-13K | 13.2 | 21.0 | 3.2 | 100     |

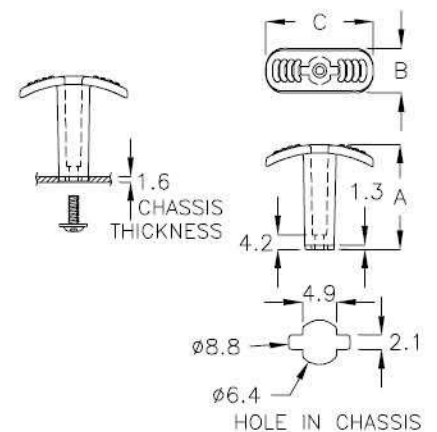


## 把手 HANDLE

13-6-3

- MATERIAL: ABS+PC(UL)
- FLAME CLASS: 94V-0
- COLOR: BLUE
- USE M3 TAPPING SCREW

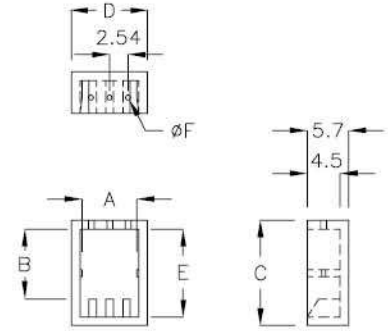
| PART NO | A    | B    | C    | PACKAGE |
|---------|------|------|------|---------|
| BJA-30C | 30.2 | 12.9 | 30.9 | 100     |



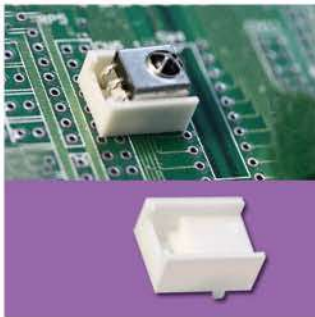


IR 座 IR RECEIVER HOUSING | 13-7-1 |

- MATERIAL: NYLON 66(UL)
- FLAME CLASS: 94V-2
- COLOR: BLACK

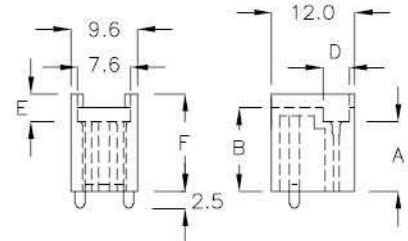
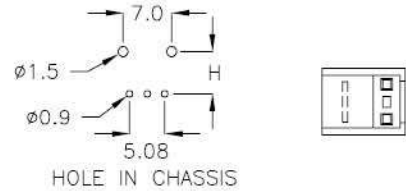


| PART NO | A   | B   | C    | D    | E    | F    | PACKAGE |
|---------|-----|-----|------|------|------|------|---------|
| CDS-1A  | 7.5 | 9.6 | 14.4 | 10.4 | 12.0 | ø0.8 | 500     |
| CDS-1C  | 6.6 | 8.6 | 14.4 | 9.3  | 10.4 | ø1.0 |         |

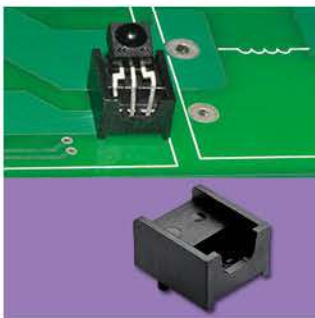


IR 座 IR RECEIVER HOUSING | 13-7-2 |

- MATERIAL: NYLON 66(UL)
- FLAME CLASS: 94V-2
- COLOR: NATURAL

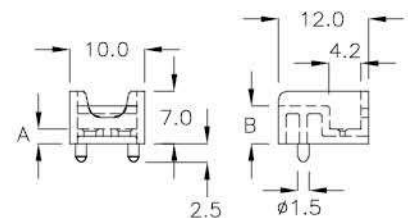
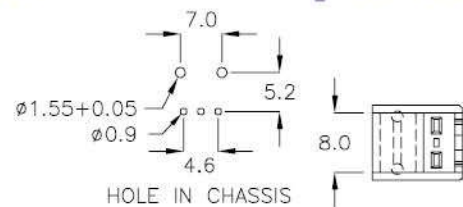


| PART NO  | A     | B    | D   | E    | F    | H   | PACKAGE |
|----------|-------|------|-----|------|------|-----|---------|
| CDS-2A   | 1.5   | 3.5  | 3.8 | 4.0  | 5.5  | 6.0 | 500     |
| CDS-2M   | 1.5   | 3.5  | 3.8 | 4.0  | 5.5  | 6.0 |         |
| CDS-4G   | 4.5   | 6.5  | 3.8 | 4.0  | 8.5  | 6.0 |         |
| CDS-4WP  | 4.15  | 6.5  | 5.0 | 4.35 | 8.5  | 6.0 |         |
| CDS-5F   | 4.5   | 6.5  | 3.8 | 3.5  | 8.0  | 6.0 |         |
| CDS-07   | 7.0   | 9.0  | 3.8 | 4.0  | 11.0 | 6.0 |         |
| CDS-10A  | 10.0  | 12.0 | 3.8 | 4.0  | 14.0 | 6.0 |         |
| CDS-13A  | 13.7  | 15.7 | 3.8 | 4.0  | 17.7 | 5.3 |         |
| CDS-13DF | 13.35 | 15.7 | 5.0 | 4.35 | 17.7 | 5.3 |         |

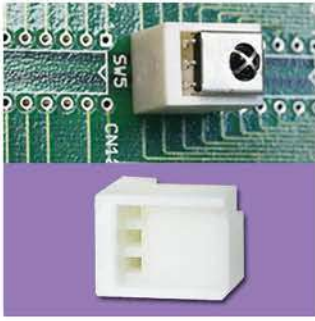


IR 座 IR RECEIVER HOUSING | 13-7-3 |

- MATERIAL: NYLON 66(UL)
- FLAME CLASS: 94V-2
- COLOR: BLACK



| PART NO | A   | B   | PACKAGE |
|---------|-----|-----|---------|
| CDS-2D  | 2.0 | 5.0 | 500     |

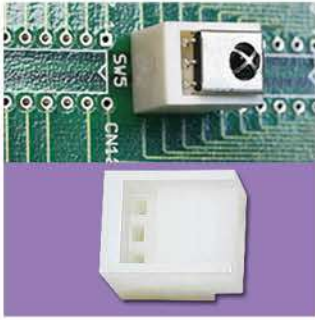
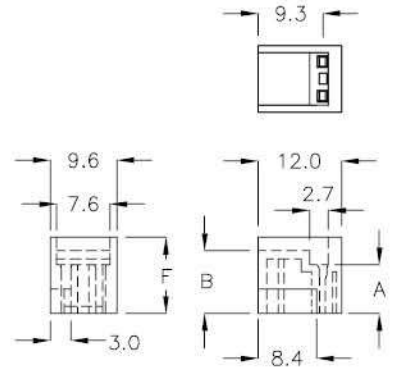


### IR 座 IR RECEIVER HOUSING

13-8-1

- MATERIAL: NYLON 66(UL)
- FLAME CLASS: 94V-2
- COLOR: NATURAL

| PART NO | A   | B   | F    | PACKAGE |
|---------|-----|-----|------|---------|
| CDS-7A  | 7.0 | 9.0 | 11.0 | 500     |

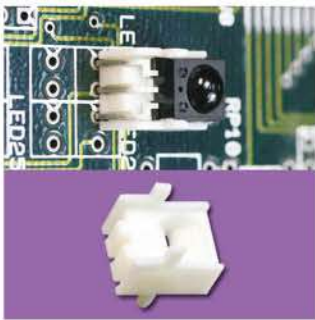
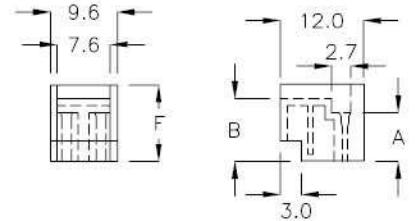


### IR 座 IR RECEIVER HOUSING

13-8-2

- MATERIAL: NYLON 66(UL)
- FLAME CLASS: 94V-2
- COLOR: NATURAL

| PART NO | A   | B   | F    | PACKAGE |
|---------|-----|-----|------|---------|
| CDS-7B  | 7.0 | 9.0 | 11.0 | 500     |

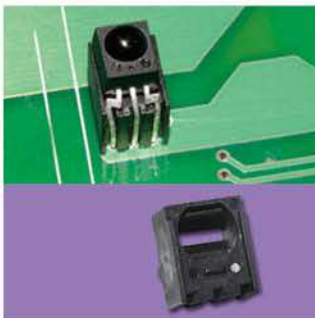
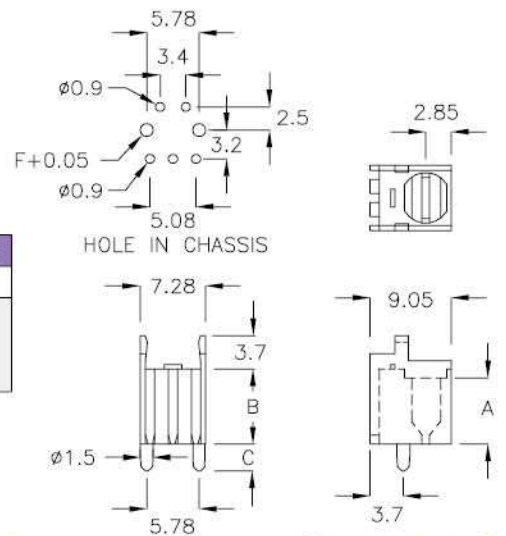


### IR 座 IR RECEIVER HOUSING

13-8-3

- MATERIAL: NYLON 66(UL)
- FLAME CLASS: 94V-2
- COLOR: NATURAL

| PART NO | A    | B    | C   | F    | PACKAGE |
|---------|------|------|-----|------|---------|
| CDS-04  | 3.0  | 4.0  | 3.0 | 1.55 | 1000    |
| CDS-4H  | 3.0  | 4.0  | 1.4 | 1.55 | 500     |
| CDS-8A  | 6.6  | 7.6  | 3.0 | 1.60 |         |
| CDS-12  | 10.9 | 11.9 | 3.0 | 1.55 |         |

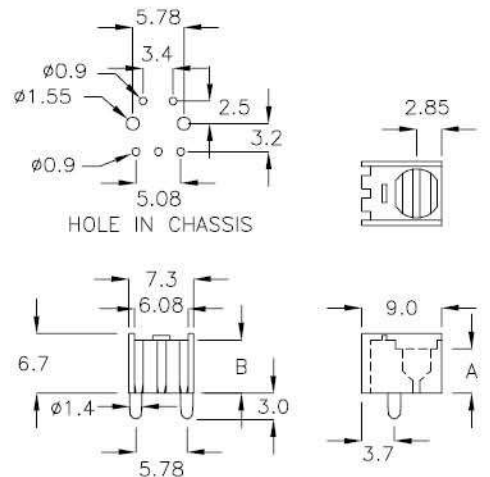


### IR 座 IR RECEIVER HOUSING

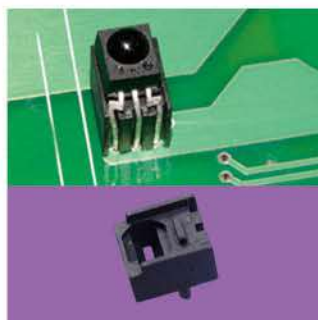
13-8-4

- MATERIAL: NYLON 66(UL)
- FLAME CLASS: 94V-2
- COLOR: BLACK

| PART NO | A   | B   | PACKAGE |
|---------|-----|-----|---------|
| CDS-6A  | 5.0 | 6.0 | 500     |

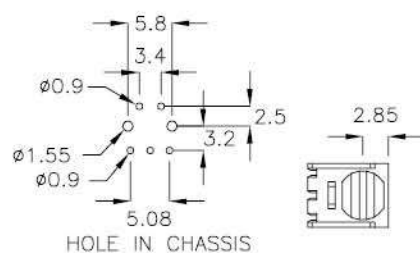




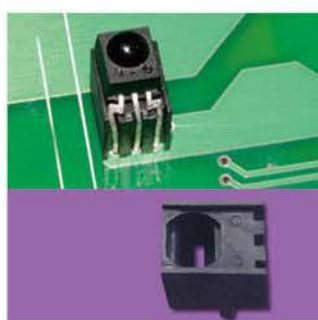


### IR 座 IR RECEIVER HOUSING 13-9-1

- MATERIAL: NYLON 66(UL)
- FLAME CLASS: 94V-2
- COLOR: BLACK

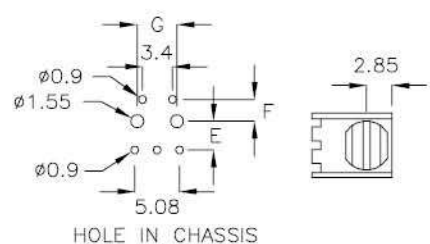


| PART NO | A   | B   | PACKAGE |
|---------|-----|-----|---------|
| CDS-4D  | 4.0 | 5.0 | 1000    |

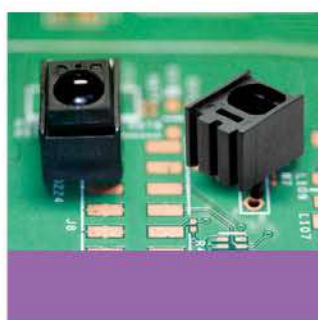
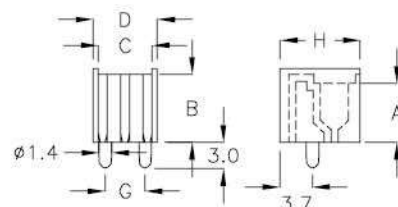


### IR 座 IR RECEIVER HOUSING 13-9-2

- MATERIAL: NYLON 66(UL)
- FLAME CLASS: 94V-2
- COLOR: BLACK



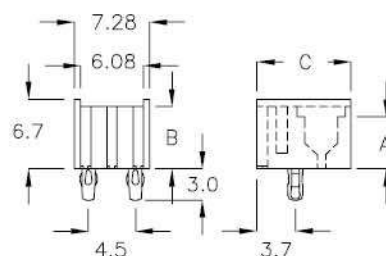
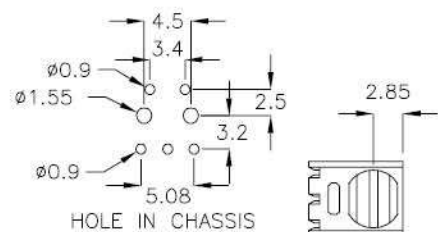
| PART NO | A   | B   | C   | D   | E   | F   | G    | H    | PACKAGE |
|---------|-----|-----|-----|-----|-----|-----|------|------|---------|
| CDS-03  | 2.0 | 3.0 | 7.7 | 8.9 | 3.2 | 4.5 | 5.78 | 11.5 | 500     |
| CDS-6C  | 5.0 | 6.0 | 6.1 | 7.3 | 3.2 | 2.5 | 4.5  | 9.05 |         |
| CDS-6D  | 5.0 | 6.0 | 6.1 | 7.3 | 3.2 | 2.5 | 4.5  | 9.05 |         |
| CDS-8C  | 5.0 | 8.0 | 6.1 | 7.3 | 3.2 | 2.5 | 4.5  | 9.05 |         |



### IR 座 IR RECEIVER HOUSING 13-9-3

- MATERIAL: NYLON 66(UL)
- FLAME CLASS: 94V-2
- COLOR: BLACK

| PART NO | A   | B   | C    | PACKAGE |
|---------|-----|-----|------|---------|
| CDS-6J  | 5.0 | 6.0 | 9.05 | 500     |



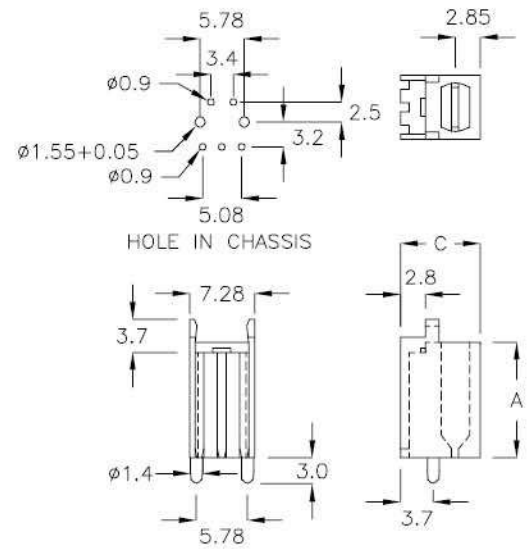


## IR 座 IR RECEIVER HOUSING

13-10-1

- MATERIAL: NYLON 66(UL)
- FLAME CLASS: 94V-2
- COLOR: BLACK

| PART NO | A    | C    | PACKAGE |
|---------|------|------|---------|
| CDS-13  | 13.0 | 9.05 | 500     |

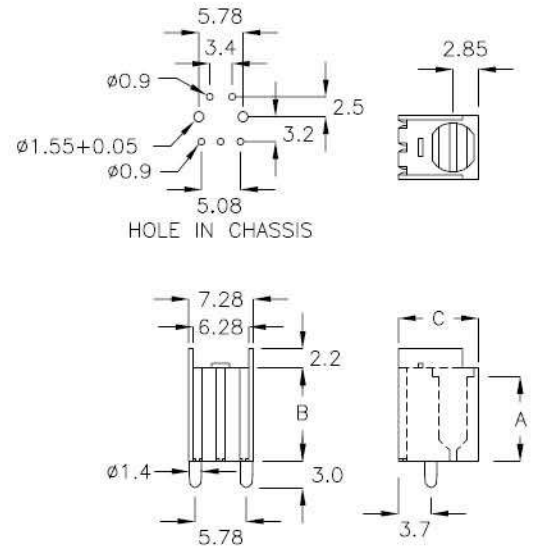


## IR 座 IR RECEIVER HOUSING

13-10-2

- MATERIAL: NYLON 66(UL)
- FLAME CLASS: 94V-2
- COLOR: BLACK

| PART NO | A   | B    | C    | PACKAGE |
|---------|-----|------|------|---------|
| CDS-10C | 9.6 | 10.6 | 9.05 | 500     |

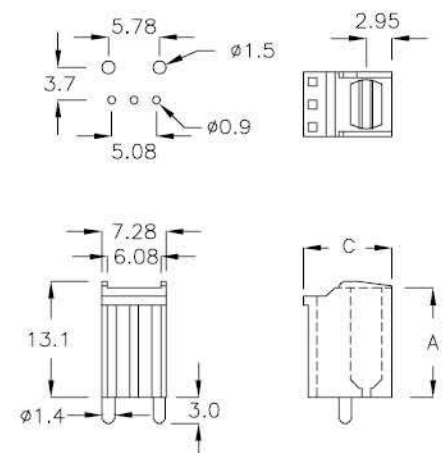


## IR 座 IR RECEIVER HOUSING

13-10-3

- MATERIAL: NYLON 66(UL)
- FLAME CLASS: 94V-2
- COLOR: BLACK

| PART NO | A    | C    | PACKAGE |
|---------|------|------|---------|
| CDS-11A | 12.4 | 10.0 | 500     |



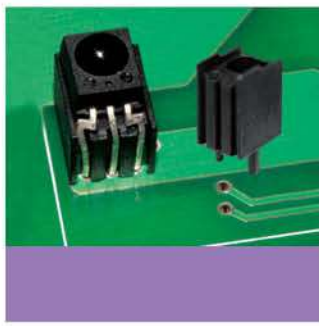
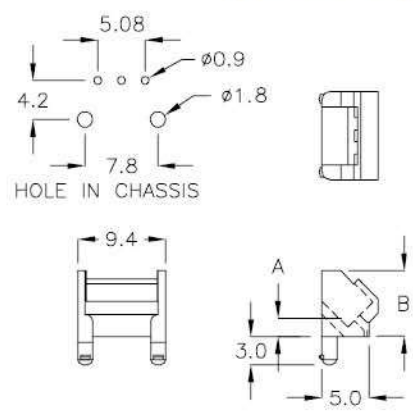


**IR 座 IR RECEIVER HOUSING**

**13-11-1**

- MATERIAL: NYLON 66(UL)
- FLAME CLASS: 94V-2
- COLOR: NATURAL

| PART NO | A   | B    | PACKAGE |
|---------|-----|------|---------|
| CDS-2C  | 2.0 | 7.0  | 1000    |
| CDS-2F  | 5.0 | 10.0 |         |

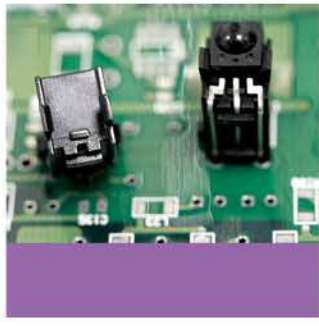
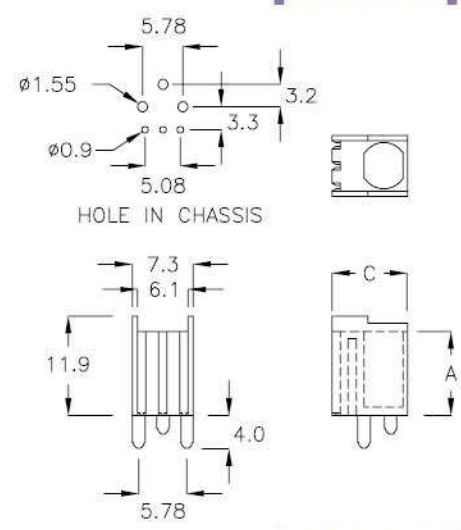


**IR 座 IR RECEIVER HOUSING**

**13-11-2**

- MATERIAL: NYLON 66(UL)
- FLAME CLASS: 94V-2
- COLOR: BLACK

| PART NO | A    | C    | PACKAGE |
|---------|------|------|---------|
| CDS-10D | 10.1 | 9.04 | 500     |

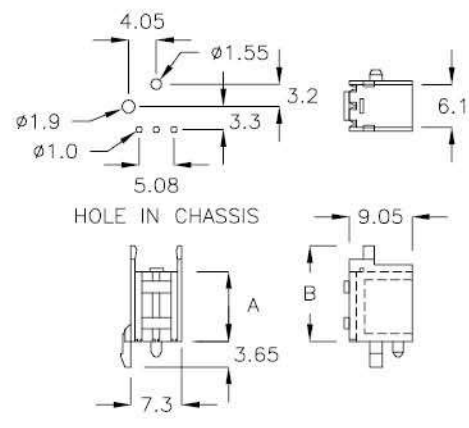


**IR 座 IR RECEIVER HOUSING**

**13-11-3**

- MATERIAL: NYLON 66(UL)
- FLAME CLASS: 94V-2
- COLOR: BLACK

| PART NO | A    | B    | PACKAGE |
|---------|------|------|---------|
| CDS-6K  | 6.1  | 10.3 | 500     |
| CDS-10F | 10.1 | 14.3 |         |
| CDS-11K | 11.6 | 15.8 |         |

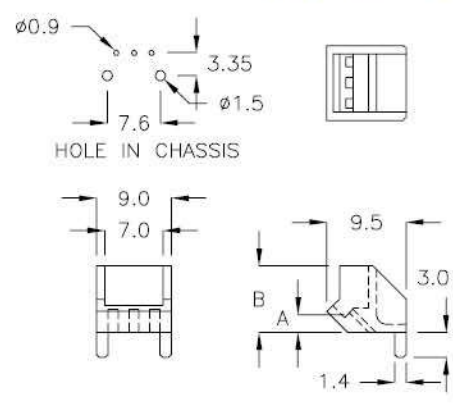


**IR 座 IR RECEIVER HOUSING**

**13-11-4**

- MATERIAL: NYLON 66(UL)
- FLAME CLASS: 94V-2
- COLOR: BLACK

| PART NO | A   | B   | PACKAGE |
|---------|-----|-----|---------|
| CDS-2H  | 2.6 | 8.0 | 1000    |



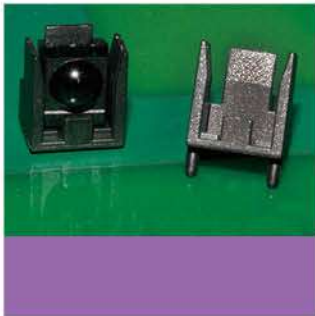
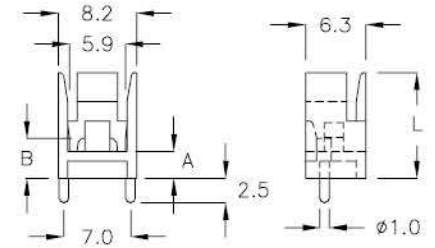
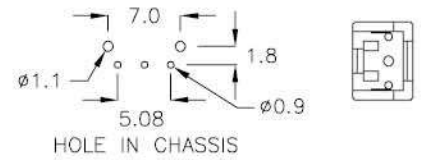


## IR 座 IR RECEIVER HOUSING

13-12-1

- MATERIAL: NYLON 66(UL)
- FLAME CLASS: 94V-2
- COLOR: BLACK

| PART NO | A    | B    | L    | PACKAGE |
|---------|------|------|------|---------|
| CDS-4C  | 2.85 | 4.15 | 11.1 | 1000    |
| CDS-5DM | 4.45 | 5.75 | 12.6 |         |

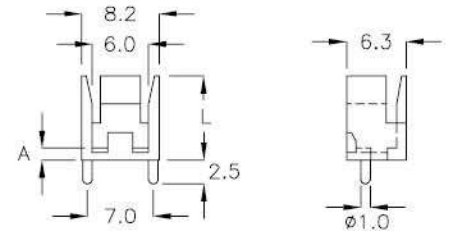
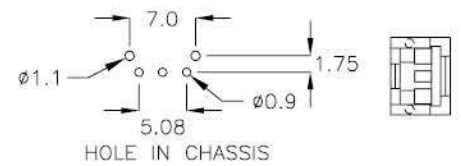


## IR 座 IR RECEIVER HOUSING

13-12-2

- MATERIAL: NYLON 66(UL)
- FLAME CLASS: 94V-2
- COLOR: BLACK

| PART NO | A   | L    | PACKAGE |
|---------|-----|------|---------|
| CDS-1J  | 1.3 | 8.9  | 1000    |
| CDS-8DQ | 8.3 | 15.9 | 500     |

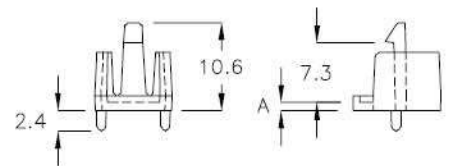
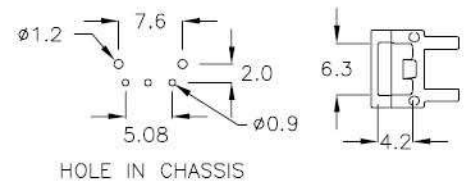


## IR 座 IR RECEIVER HOUSING

13-12-3

- MATERIAL: NYLON 66(UL)
- FLAME CLASS: 94V-2
- COLOR: BLACK

| PART NO | A   | PACKAGE |
|---------|-----|---------|
| CDS-1F  | 1.0 | 2000    |

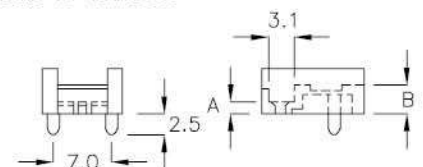
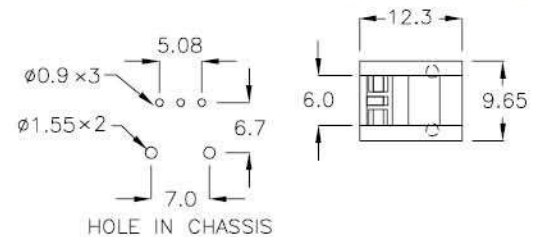


## IR 座 IR RECEIVER HOUSING

13-12-4

- MATERIAL: NYLON 66(UL)
- FLAME CLASS: 94V-2
- COLOR: NATURAL

| PART NO | A   | B   | PACKAGE |
|---------|-----|-----|---------|
| CDS-2J  | 1.5 | 3.5 | 500     |

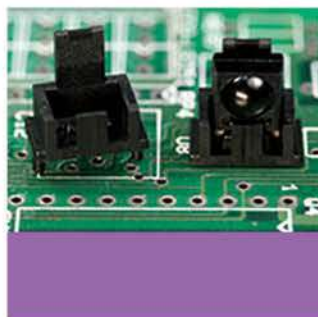
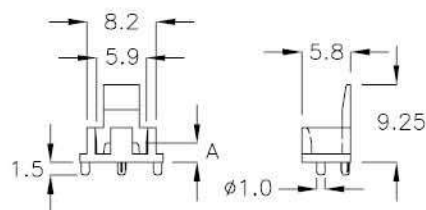
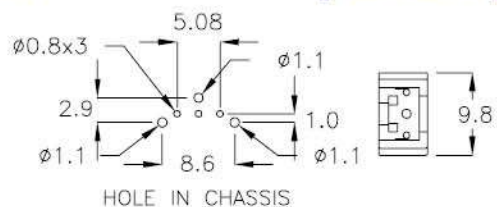




## IR 座 IR RECEIVER HOUSING 13-13-1

- MATERIAL: NYLON 66(UL)
- FLAME CLASS: 94V-2
- COLOR: BLACK

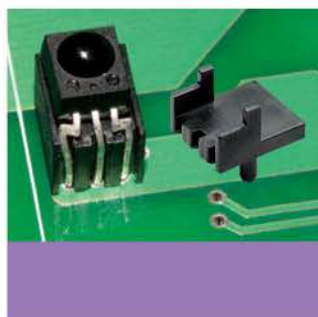
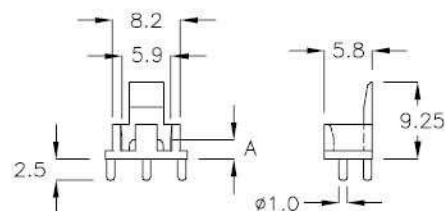
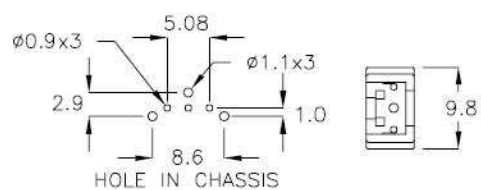
| PART NO | A   | PACKAGE |
|---------|-----|---------|
| CDS-2PS | 2.3 | 1000    |



## IR 座 IR RECEIVER HOUSING 13-13-2

- MATERIAL: NYLON 66(UL)
- FLAME CLASS: 94V-2
- COLOR: BLACK

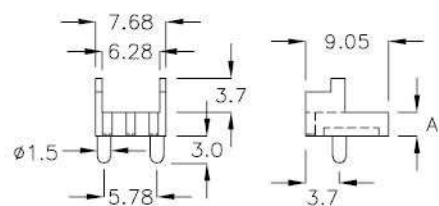
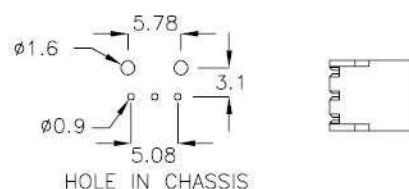
| PART NO | A   | PACKAGE |
|---------|-----|---------|
| CDS-2K  | 2.3 | 1000    |



## IR 座 IR RECEIVER HOUSING 13-13-3

- MATERIAL: NYLON 66(UL)
- FLAME CLASS: 94V-2
- COLOR: BLACK

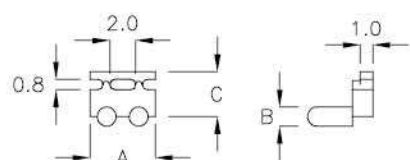
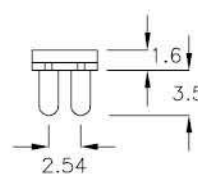
| PART NO | A   | PACKAGE |
|---------|-----|---------|
| CDS-2L  | 1.7 | 500     |



## IR 座 IR RECEIVER HOUSING 13-13-4

- MATERIAL: NYLON 66(UL)
- FLAME CLASS: 94V-2
- COLOR: BLACK

| PART NO | A    | B          | C   | PACKAGE |
|---------|------|------------|-----|---------|
| CDS-4F  | 5.08 | $\phi 1.5$ | 3.5 | 1000    |

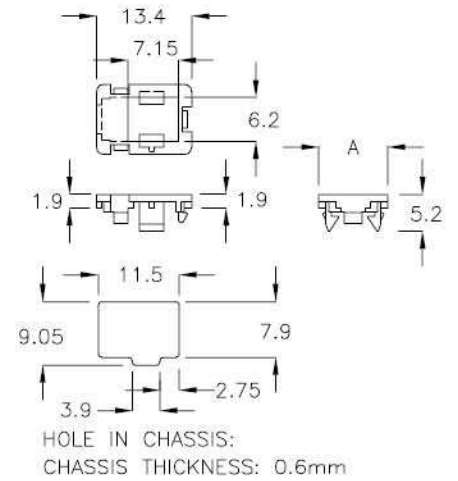




### IR 座 IR RECEIVER HOUSING

13-14-1

- MATERIAL: NYLON 66(UL)
- FLAME CLASS: 94V-2
- COLOR: BLACK



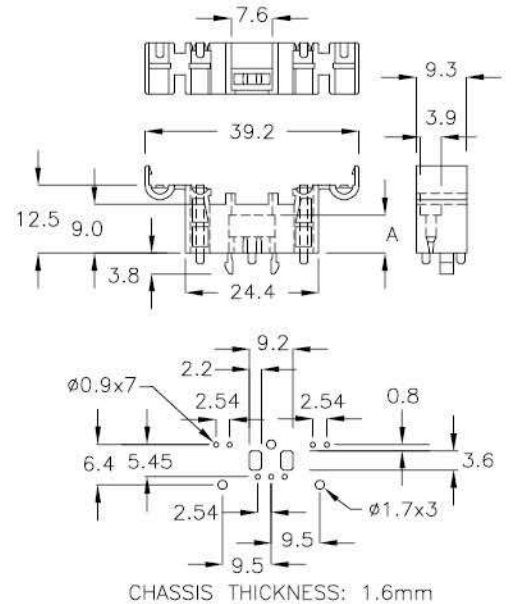
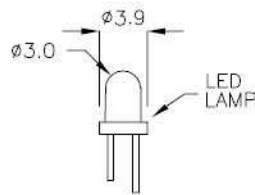
| PART NO | A   | PACKAGE |
|---------|-----|---------|
| CDS-1TR | 9.8 | 1000    |



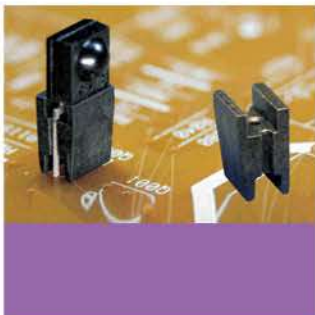
### IR 座 IR RECEIVER HOUSING

13-14-2

- MATERIAL: NYLON 66(UL)
- FLAME CLASS: 94V-2
- COLOR: BLACK



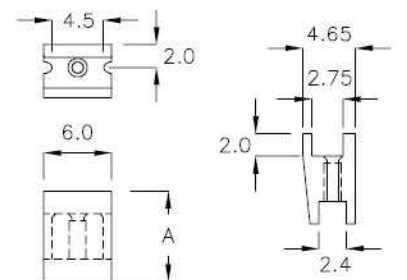
| PART NO | A   | T<br>CHASSIS<br>THICKNESS | PACKAGE |
|---------|-----|---------------------------|---------|
| CDY-7M  | 7.0 | 1.6                       | 200     |



### IR 座 IR RECEIVER HOUSING

13-14-3

- MATERIAL: NYLON 66(UL)
- FLAME CLASS: 94V-2
- COLOR: BLACK



| PART NO | A   | PACKAGE |
|---------|-----|---------|
| CDA-08  | 8.0 | 1000    |



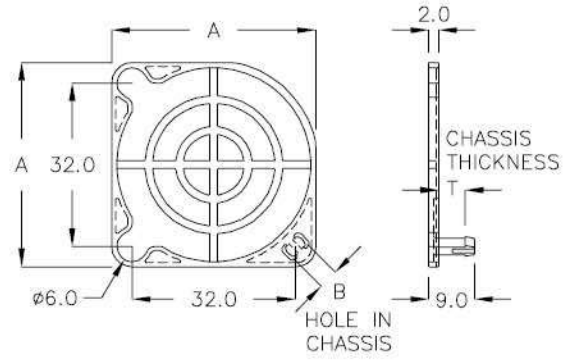


風扇罩 FAN COVER

13-16-1

- MATERIAL: PC(UL)
- FLAME CLASS: 94V-0
- COLOR: BLACK

| PART NO | A    | B<br>HOLE IN<br>CHASSIS | T<br>CHASSIS<br>THICKNESS | PACKAGE |
|---------|------|-------------------------|---------------------------|---------|
| NBR-40A | 40.0 | ø3.5                    | 5.0                       | 200     |

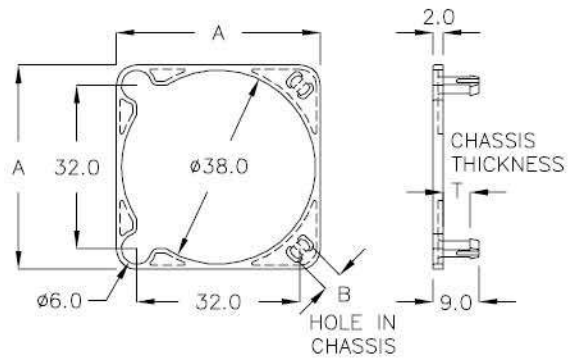


風扇罩 FAN COVER

13-16-2

- MATERIAL: PC(UL)
- FLAME CLASS: 94V-0
- COLOR: BLACK

| PART NO | A    | B<br>HOLE IN<br>CHASSIS | T<br>CHASSIS<br>THICKNESS | PACKAGE |
|---------|------|-------------------------|---------------------------|---------|
| NBT-40  | 40.0 | ø3.5                    | 5.0                       | 100     |

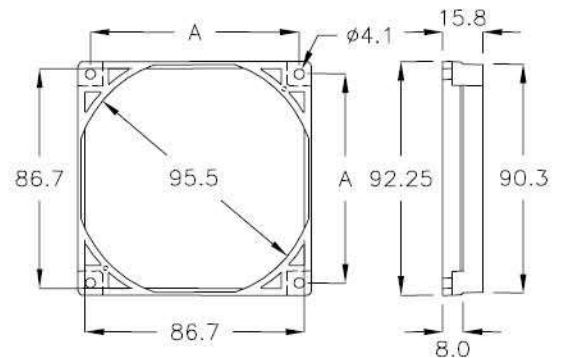


風扇罩 FAN COVER

13-16-3

- MATERIAL: ABS+PC(UL)
- FLAME CLASS: 94V-0
- COLOR: BLACK

| PART NO | A    | PACKAGE |
|---------|------|---------|
| NBC-01  | 82.5 | 20      |



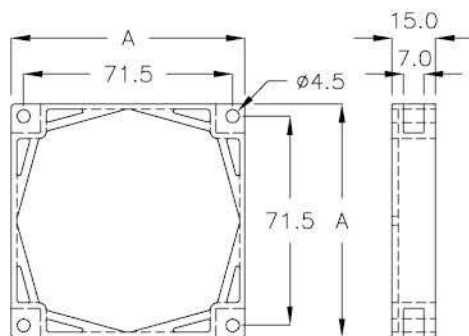




## 風扇罩 FAN COVER 13-17-1

- MATERIAL: PBT(UL)
- FLAME CLASS: 94V-0
- COLOR: BLACK

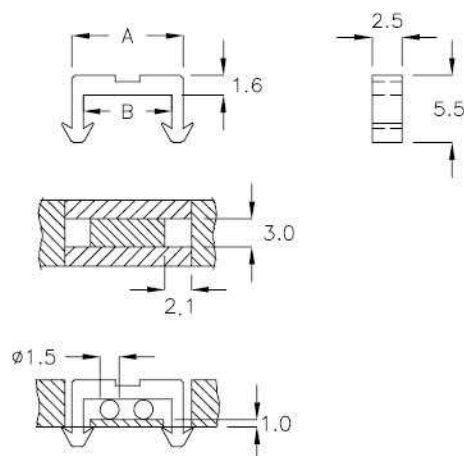
| PART NO | A    | PACKAGE |
|---------|------|---------|
| NBC-80  | 80.0 | 20      |



## 電線固定座 WIRE MOUNT 13-17-2

- MATERIAL: NYLON 66(UL)
- FLAME CLASS: 94V-2
- COLOR: BLACK

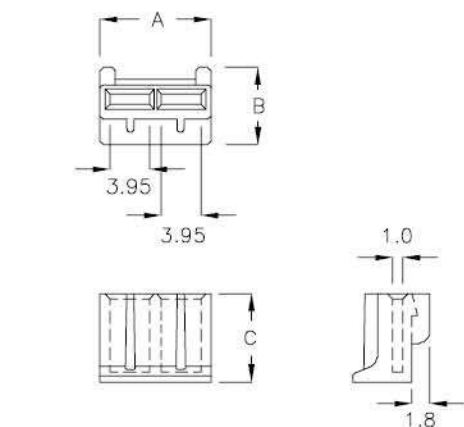
| PART NO | A   | B    | PACKAGE |
|---------|-----|------|---------|
| FBA-7A  | 9.1 | 7.25 | 1000    |



## 風扇電源座 MOUNT 13-17-3

- MATERIAL: NYLON 66(UL)
- FLAME CLASS: 94V-2
- COLOR: NATURAL

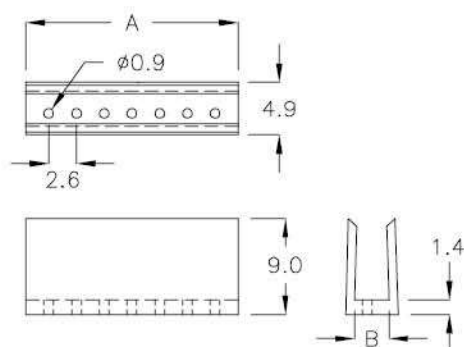
| PART NO | A    | B   | C   | PACKAGE |
|---------|------|-----|-----|---------|
| HFC-01  | 11.1 | 7.7 | 8.8 | 500     |



## 固定座 HOUSING 13-17-4

- MATERIAL: NYLON 66(UL)
- FLAME CLASS: 94V-2
- COLOR: NATURAL

| PART NO | A    | B   | PACKAGE |
|---------|------|-----|---------|
| PH-5    | 20.2 | 3.2 | 500     |



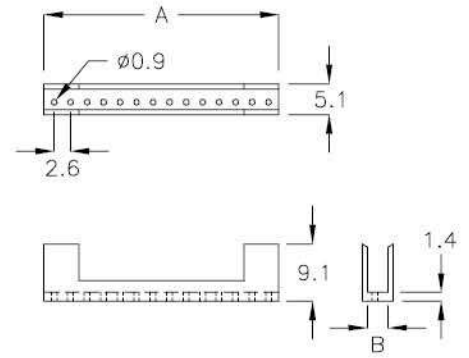


## 固定座 HOUSING

13-18-1

- MATERIAL: NYLON 66(UL)
- FLAME CLASS: 94V-2
- COLOR: NATURAL

| PART NO | A    | B   | PACKAGE |
|---------|------|-----|---------|
| PH-6    | 36.0 | 3.4 | 500     |

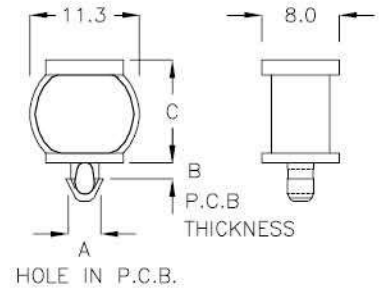


## 防震座 ANTI-SHOCK HOUSING

13-18-2

- MATERIAL: NYLON 66(UL)
- FLAME CLASS: 94V-2
- COLOR: NATURAL

| PART NO | A    | B   | C    | PACKAGE |
|---------|------|-----|------|---------|
| CQ-010  | ∅3.0 | 1.6 | 10.5 | 1000    |
| CQ-008  | ∅3.0 | 1.6 | 8.0  |         |
| CQ-10NR | ∅2.0 | 1.6 | 10.5 |         |

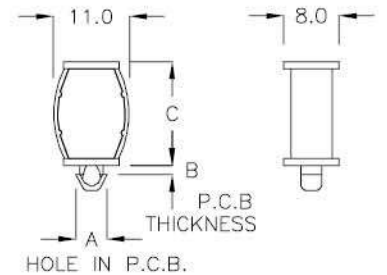


## 防震座 ANTI-SHOCK HOUSING

13-18-3

- MATERIAL: NYLON 66(UL)
- FLAME CLASS: 94V-2
- COLOR: NATURAL

| PART NO | A    | B   | C    | PACKAGE |
|---------|------|-----|------|---------|
| CQ-015  | ∅3.5 | 1.2 | 15.0 | 1000    |
| CQ-15A  | ∅4.0 | 1.6 | 15.0 |         |
| CQ-15C  | ∅3.5 | 1.4 | 15.0 |         |
| CQ-15D  | ∅4.0 | 1.7 | 15.0 |         |
| CQ-017  | ∅3.5 | 1.2 | 17.0 |         |

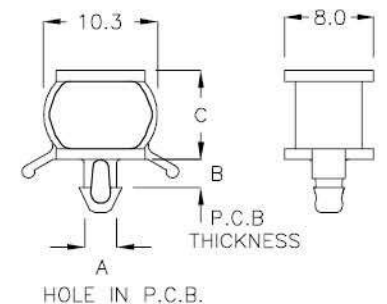


## 防震座 ANTI-SHOCK HOUSING

13-18-4

- MATERIAL: NYLON 66(UL)
- FLAME CLASS: 94V-2
- COLOR: NATURAL

| PART NO | A    | B       | C    | PACKAGE |
|---------|------|---------|------|---------|
| CQ-08A  | ∅3.0 | 1.1~1.6 | 8.05 | 1000    |



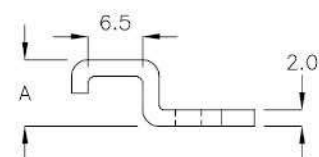
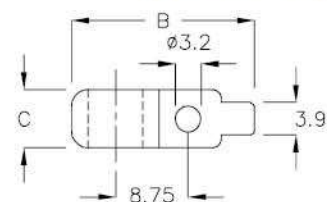


## 固定夾 CLIP

13-19-1

- MATERIAL: POM(UL)
- FLAME CLASS: 94HB
- COLOR: BLACK

| PART NO | A   | B    | C   | PACKAGE |
|---------|-----|------|-----|---------|
| HP-6    | 8.0 | 22.0 | 7.0 | 1000    |

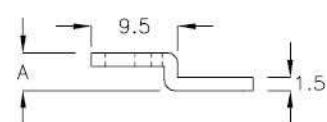
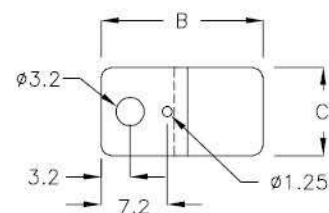


## CCD 座 CCD HOUSING

13-19-2

- MATERIAL: NYLON 66(UL)
- FLAME CLASS: 94V-2
- COLOR: NATURAL

| PART NO | A    | B    | C   | PACKAGE |
|---------|------|------|-----|---------|
| MDV-01  | 4.15 | 17.7 | 9.6 | 2000    |



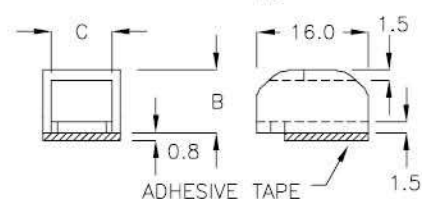
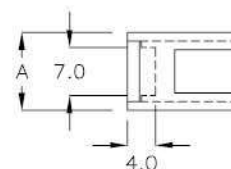
## 電池端子保護座

## CONNECTOR PROTECT HOUSING

13-19-3

- MATERIAL: PC(UL)
- FLAME CLASS: 94V-2
- COLOR: CLEAR
- ADHESIVE TAPE: 3M

| PART NO | A    | B    | C    | PACKAGE |
|---------|------|------|------|---------|
| MD-16S  | 11.2 | 9.0  | 8.8  | 500     |
| MD-017  | 13.5 | 10.8 | 10.5 |         |



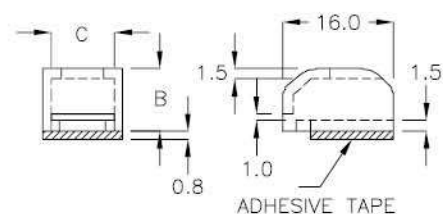
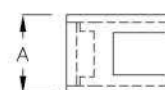
## 電池端子保護座

## CONNECTOR PROTECT HOUSING

13-19-4

- MATERIAL: PC(UL)
- FLAME CLASS: 94V-2
- COLOR: CLEAR
- ADHESIVE TAPE: 3M

| PART NO | A    | B   | C   | PACKAGE |
|---------|------|-----|-----|---------|
| MD-16A  | 11.4 | 9.0 | 9.1 | 500     |



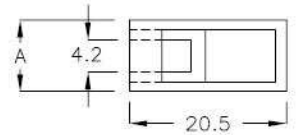


## 電池端子保護座

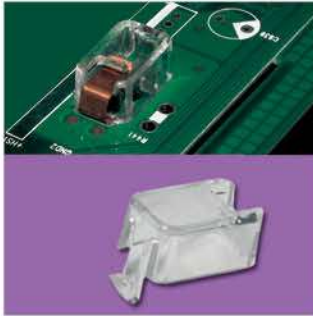
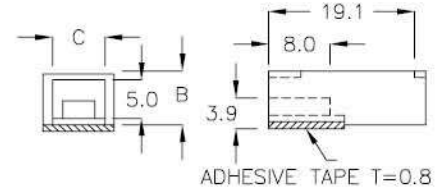
## CONNECTOR PROTECT HOUSING

13-20-1

- MATERIAL: PC(UL)
- FLAME CLASS: 94V-2
- COLOR: CLEAR
- ADHESIVE TAPE: 3M



| PART NO | A   | B   | C   | PACKAGE |
|---------|-----|-----|-----|---------|
| MD-020  | 9.3 | 7.0 | 6.9 | 500     |

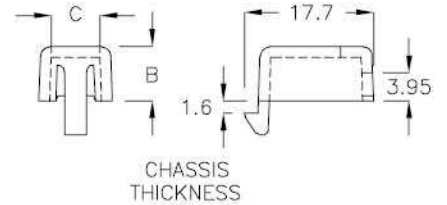
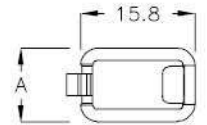


## 保護蓋 HOLE PROTECTOR

13-20-2

- MATERIAL: PC(UL)
- FLAME CLASS: 94V-2
- COLOR: CLEAR

| PART NO | A    | B   | C    | PACKAGE |
|---------|------|-----|------|---------|
| MVA-01  | 10.2 | 7.4 | 6.65 | 500     |

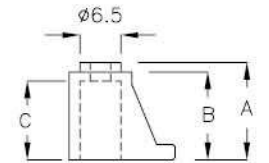
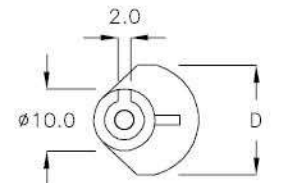


## 固定座 MOUNT

13-20-3

- MATERIAL: ABS(UL)
- FLAME CLASS: 94V-0
- COLOR: NATURAL

| PART NO | A    | B    | C    | D    | PACKAGE |
|---------|------|------|------|------|---------|
| MDJ-01  | 17.0 | 15.5 | 14.0 | 17.5 | 200     |
| MDJ-02  | 12.6 | 11.1 | 9.6  | 17.2 | 500     |

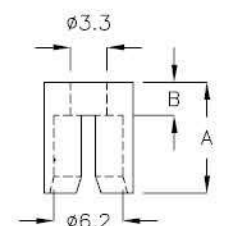


## 固定座 MOUNT

13-20-4

- MATERIAL: NYLON 66(UL)
- FLAME CLASS: 94V-2
- COLOR: NATURAL

| PART NO | A    | B   | C    | PACKAGE |
|---------|------|-----|------|---------|
| MDA-01  | 10.0 | 3.0 | ø8.0 | 1000    |
| MDA-02  | 10.0 | 1.6 | ø8.0 |         |

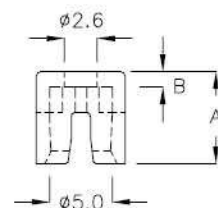
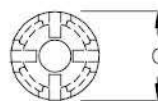




### 固定座 MOUNT | 13-21-1 |

- MATERIAL: NYLON 66(UL)
- FLAME CLASS: 94V-2
- COLOR: NATURAL

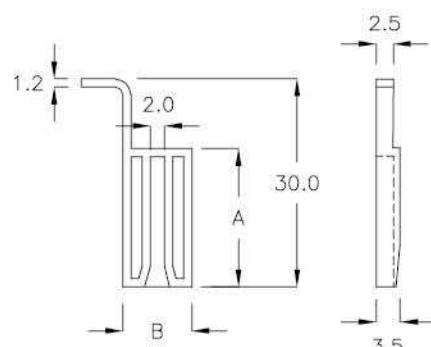
| PART NO | A   | B   | C    | PACKAGE |
|---------|-----|-----|------|---------|
| MDA-7BC | 7.2 | 1.2 | ∅7.0 | 1000    |



### 固定座 MOUNT | 13-21-2 |

- MATERIAL: NYLON 66(UL)
- FLAME CLASS: 94V-2
- COLOR: NATURAL

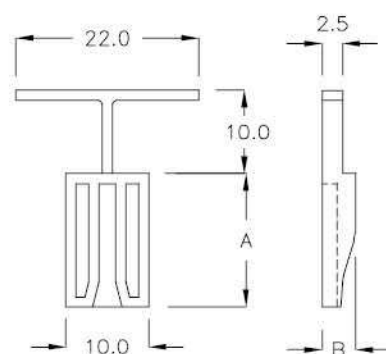
| PART NO | A    | B    | PACKAGE |
|---------|------|------|---------|
| MDB-01  | 20.0 | 10.0 | 1000    |



### 固定座 MOUNT | 13-21-3 |

- MATERIAL: NYLON 66(UL)
- FLAME CLASS: 94V-2
- COLOR: NATURAL

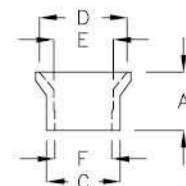
| PART NO | A    | B   | PACKAGE |
|---------|------|-----|---------|
| MDB-02  | 20.0 | 4.0 | 500     |
| MDB-04  | 16.0 | 4.0 |         |
| MDB-05  | 15.0 | 3.2 | 1000    |



### 固定座 MOUNT | 13-21-4 |

- MATERIAL: NYLON 66(UL)
- FLAME CLASS: 94V-2
- COLOR: BLACK

| PART NO | A   | B     | C     | D     | E     | F     | PACKAGE |
|---------|-----|-------|-------|-------|-------|-------|---------|
| UW-1    | 7.0 | ∅11.5 | ∅8.8  | ∅10.5 | ∅7.2  | ∅6.8  | 1000    |
| UW-1K   | 6.6 | ∅11.0 | ∅7.5  | ∅10.0 | ∅5.45 | ∅5.05 |         |
| UW-1Y   | 6.6 | ∅8.8  | ∅7.55 | ∅7.8  | ∅5.45 | ∅5.05 | 2000    |



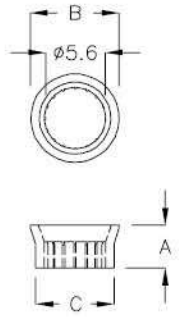


## 固定座 MOUNT

13-22-1

- MATERIAL: NYLON 66(UL)
- FLAME CLASS: 94V-2
- COLOR: BLACK

| PART NO | A   | B    | C    | PACKAGE |
|---------|-----|------|------|---------|
| UW-6F   | 4.0 | ø8.4 | ø7.4 | 1000    |

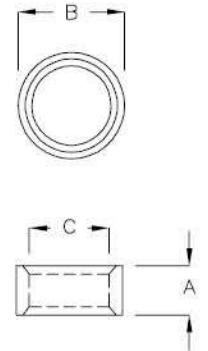


## 固定座 MOUNT

13-22-2

- MATERIAL: NYLON 66(UL)
- FLAME CLASS: 94V-2
- COLOR: BLACK

| PART NO | A    | B     | C     | PACKAGE |
|---------|------|-------|-------|---------|
| UW-1S   | 4.2  | ø9.1  | ø6.85 | 1000    |
| UW-01C  | 6.35 | ø5.8  | ø4.8  |         |
| UW-01M  | 4.3  | ø9.2  | ø6.7  |         |
| UW-01J  | 6.7  | ø11.2 | ø7.2  |         |
| UW-4TM  | 4.35 | ø6.2  | ø5.0  | 2000    |
| UW-8MK  | 8.0  | ø7.0  | ø5.4  | 1000    |

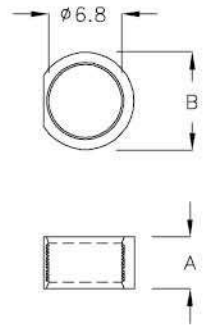


## 固定座 MOUNT

13-22-3

- MATERIAL: NYLON 66(UL)
- FLAME CLASS: 94V-2
- COLOR: BLACK

| PART NO | A   | B    | PACKAGE |
|---------|-----|------|---------|
| UW-01A  | 4.8 | ø9.1 | 1000    |

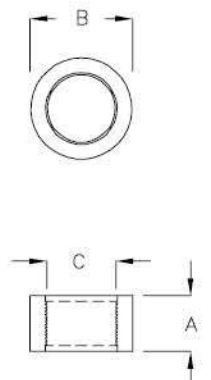


## 固定座 MOUNT

13-22-4

- MATERIAL: NYLON 66(UL)
- FLAME CLASS: 94V-2
- COLOR: BLACK

| PART NO | A   | øB  | øC  | PACKAGE |
|---------|-----|-----|-----|---------|
| UW-01D  | 3.0 | 6.1 | 4.5 | 1000    |
| UW-02A  | 4.2 | 9.2 | 7.1 |         |
| UW-04A  | 5.0 | 9.2 | 6.4 |         |
| UW-08A  | 8.2 | 9.0 | 7.0 |         |
| UW-8CD  | 8.2 | 9.0 | 6.8 |         |

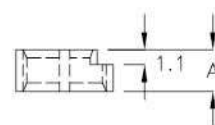
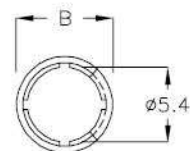




### 固定座 MOUNT | 13-23-1 |

- MATERIAL: NYLON 66(UL)
- FLAME CLASS: 94V-2
- COLOR: BLACK

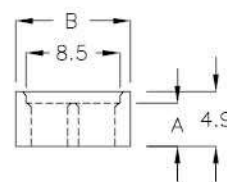
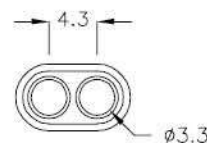
| PART NO | A   | B    | PACKAGE |
|---------|-----|------|---------|
| UW-01G  | 3.0 | ∅7.0 | 1000    |



### 固定座 MOUNT | 13-23-2 |

- MATERIAL: NYLON 66(UL)
- FLAME CLASS: 94V-2
- COLOR: BLACK

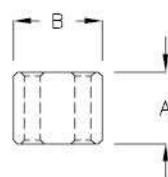
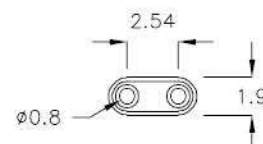
| PART NO | A   | B    | PACKAGE |
|---------|-----|------|---------|
| MTH-05  | 3.9 | 10.3 | 1000    |



### 固定座 MOUNT | 13-23-3 |

- MATERIAL: NYLON 66(UL)
- FLAME CLASS: 94V-2
- COLOR: BLACK

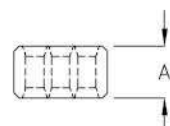
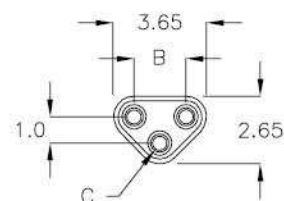
| PART NO | A    | B    | PACKAGE |
|---------|------|------|---------|
| MTN-3H  | 4.15 | 4.45 | 2000    |



### 固定座 MOUNT | 13-23-4 |

- MATERIAL: NYLON 66(UL)
- FLAME CLASS: 94V-2
- COLOR: NATURAL

| PART NO | A    | B    | C    | PACKAGE |
|---------|------|------|------|---------|
| MTJ-02  | 2.0  | 2.0  | ∅0.8 | 2000    |
| MTJ-3A  | 1.55 | 2.54 | ∅0.8 |         |
| MTJ-3HD | 3.5  | 2.0  | ∅0.7 |         |



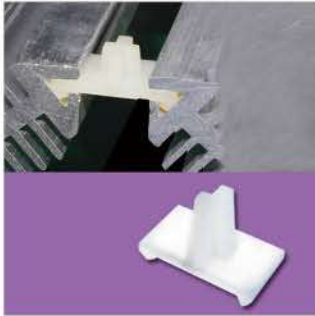
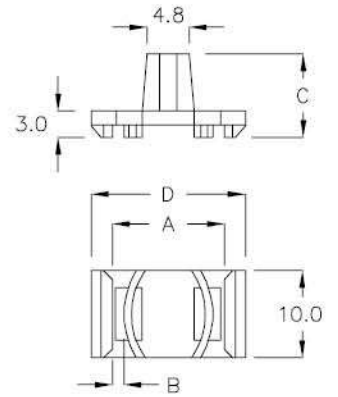


### 固定座 MOUNT

### 13-24-1

- MATERIAL: NYLON 66(UL)
- FLAME CLASS: 94V-2
- COLOR: NATURAL

| PART NO | A    | B    | C    | D    | PACKAGE |
|---------|------|------|------|------|---------|
| MDK-01  | 12.8 | 1.15 | 9.5  | 17.6 | 500     |
| MDK-03  | 12.8 | 1.3  | 11.0 | 17.6 |         |
| MDK-04  | 13.0 | 1.9  | 10.5 | 17.6 |         |
| MDK-05  | 10.8 | 1.5  | 10.5 | 15.6 |         |

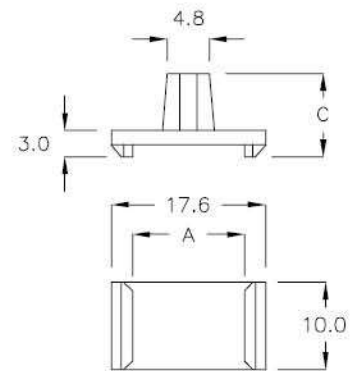


### 固定座 MOUNT

### 13-24-2

- MATERIAL: NYLON 66(UL)
- FLAME CLASS: 94V-2
- COLOR: NATURAL

| PART NO | A    | C   | PACKAGE |
|---------|------|-----|---------|
| MDK-02  | 12.8 | 6.9 | 1000    |

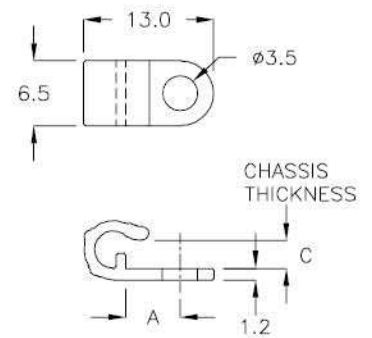


### 散熱片固定座 HEAT SINK MOUNT

### 13-24-3

- MATERIAL: NYLON 66(UL)
- FLAME CLASS: 94V-2
- COLOR: NATURAL

| PART NO | A   | C<br>CHASSIS<br>THICKNESS | PACKAGE |
|---------|-----|---------------------------|---------|
| DAP-1A  | 5.4 | 3.0                       | 2000    |

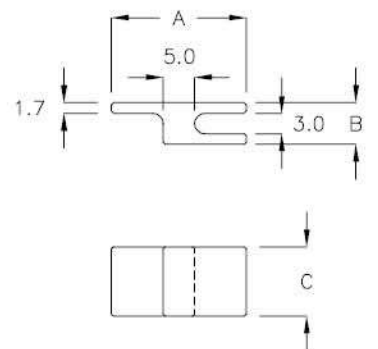


### 固定座 MOUNT

### 13-24-4

- MATERIAL: NYLON 66(UL)
- FLAME CLASS: 94V-2
- COLOR: NATURAL

| PART NO | A    | B   | C    | PACKAGE |
|---------|------|-----|------|---------|
| DAB-01  | 19.5 | 6.0 | 10.0 | 500     |

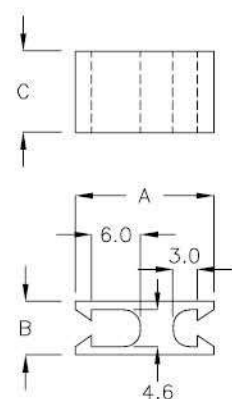






### 固定座 MOUNT 13-25-1

- MATERIAL: NYLON 66(UL)
- FLAME CLASS: 94V-2
- COLOR: NATURAL

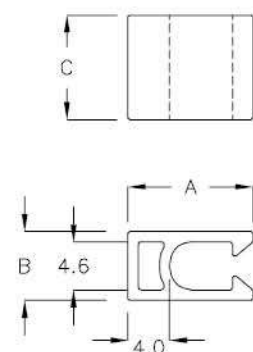


| PART NO | A    | B   | C    | PACKAGE |
|---------|------|-----|------|---------|
| DAB-02  | 17.0 | 6.6 | 10.0 | 500     |



### 固定座 MOUNT 13-25-2

- MATERIAL: NYLON 66(UL)
- FLAME CLASS: 94V-2
- COLOR: NATURAL

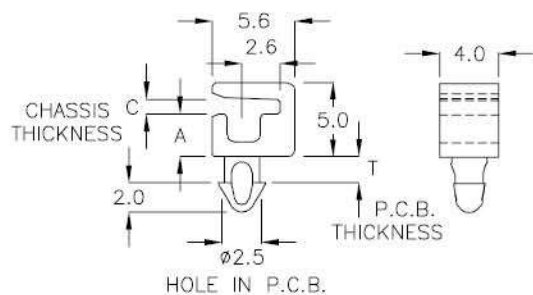


| PART NO | A    | B   | C    | PACKAGE |
|---------|------|-----|------|---------|
| DAB-3A  | 12.0 | 6.6 | 10.0 | 500     |



### 散熱片固定座 HEAT SINK MOUNT 13-25-3

- MATERIAL: NYLON 66(UL)
- FLAME CLASS: 94V-2
- COLOR: NATURAL

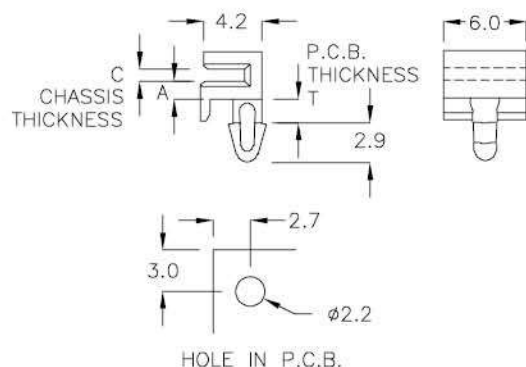


| PART NO | A   | C<br>CHASSIS<br>THICKNESS | T<br>P.C.B.<br>THICKNESS | PACKAGE |
|---------|-----|---------------------------|--------------------------|---------|
| UBA-3A  | 2.9 | 0.8                       | 1.6                      | 2000    |



### 固定座 MOUNT 13-25-4

- MATERIAL: NYLON 66(UL)
- FLAME CLASS: 94V-2
- COLOR: BLACK



| PART NO | A   | C<br>CHASSIS<br>THICKNESS | T<br>P.C.B.<br>THICKNESS | PACKAGE |
|---------|-----|---------------------------|--------------------------|---------|
| MTQ-2A  | 1.3 | 0.8                       | 1.6                      | 2000    |

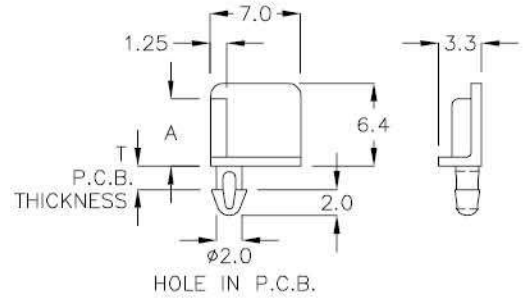


固定座 MOUNT

13-26-1

- MATERIAL: NYLON 66(UL)
- FLAME CLASS: 94V-2
- COLOR: NATURAL

| PART NO | A   | T<br>P.C.B.<br>THICKNESS | PACKAGE |
|---------|-----|--------------------------|---------|
| MRA-6C  | 5.2 | 1.6                      | 2000    |

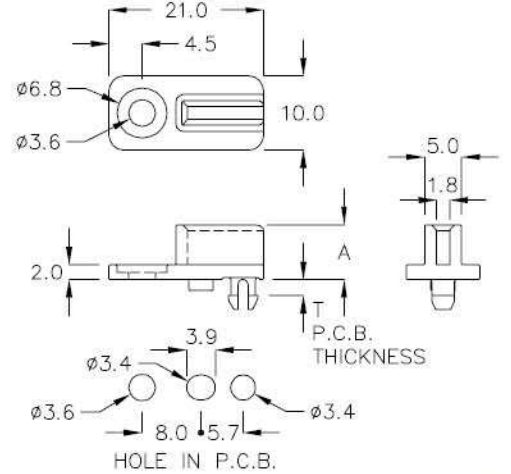


固定座 MOUNT

13-26-2

- MATERIAL: NYLON 66(UL)
- FLAME CLASS: 94V-2
- COLOR: BLACK

| PART NO  | A   | T<br>P.C.B.<br>THICKNESS | PACKAGE |
|----------|-----|--------------------------|---------|
| MFG-21HC | 7.4 | 2.0                      | 200     |



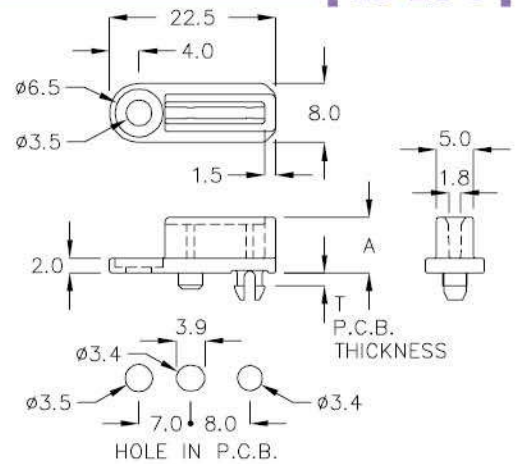
固定座 MOUNT

13-26-3

- MATERIAL: NYLON 66(UL)
- FLAME CLASS: 94V-2
- COLOR: BLACK



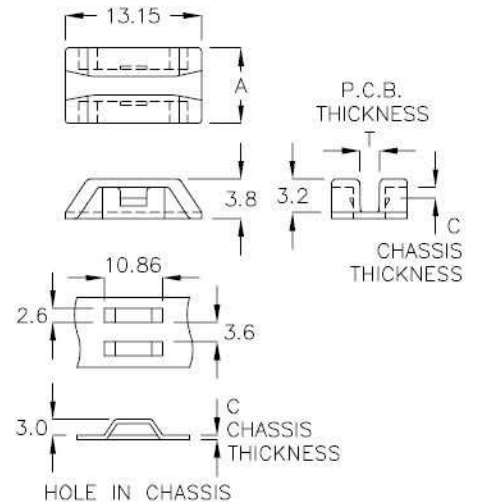
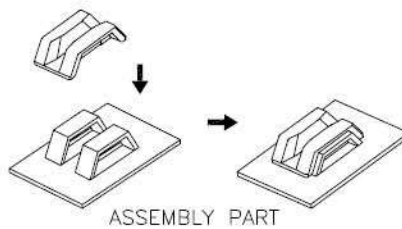
| PART NO    | A   | T<br>P.C.B.<br>THICKNESS | PACKAGE |
|------------|-----|--------------------------|---------|
| ★ MFG-22TK | 7.5 | 1.6                      | 500     |



固定座 MOUNT

13-26-4

- MATERIAL: NYLON 66(UL)
- FLAME CLASS: 94V-2
- COLOR: BLACK

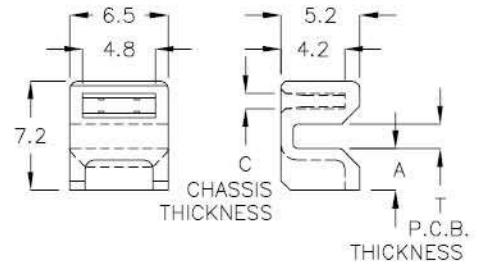


| PART NO | A   | C<br>CHASSIS<br>THICKNESS | T<br>P.C.B.<br>THICKNESS | PACKAGE |
|---------|-----|---------------------------|--------------------------|---------|
| MTB-13A | 7.3 | 0.8                       | 1.6                      | 2000    |

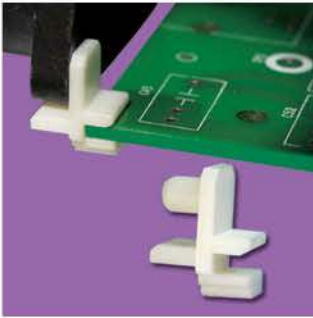


固定座 MOUNT 13-27-1

- MATERIAL: NYLON 66(UL)
- FLAME CLASS: 94V-2
- COLOR: BLACK

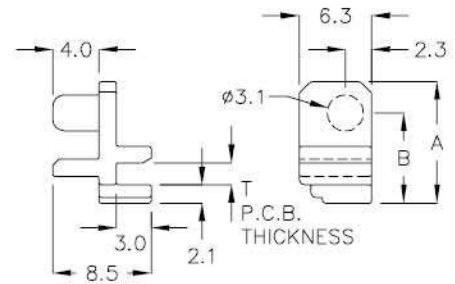


| PART NO | A    | C<br>CHASSIS<br>THICKNESS | T<br>P.C.B.<br>THICKNESS | PACKAGE |
|---------|------|---------------------------|--------------------------|---------|
| MDL-01  | 2.75 | 0.8                       | 1.6                      | 2000    |



固定座 MOUNT 13-27-2

- MATERIAL: NYLON 66(UL)
- FLAME CLASS: 94V-2
- COLOR: NATURAL



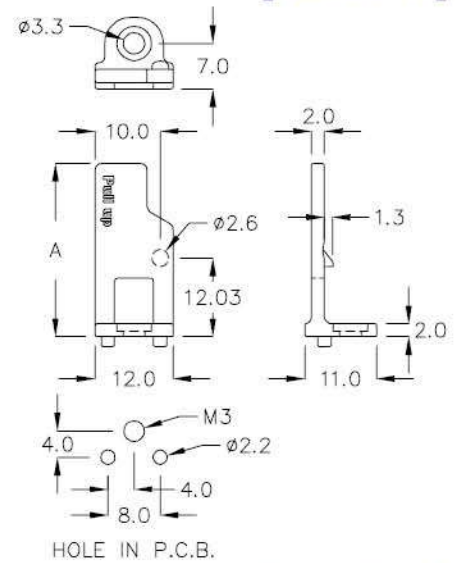
| PART NO  | A    | B   | T<br>P.C.B.<br>THICKNESS | PACKAGE |
|----------|------|-----|--------------------------|---------|
| MGM-11   | 11.0 | 8.3 | 1.6                      | 500     |
| MGM-11SK | 11.0 | 8.8 | 1.6                      |         |



固定座 MOUNT 13-27-3

- MATERIAL: NYLON 66(UL)
- FLAME CLASS: 94V-0
- COLOR: BLUE

NEW



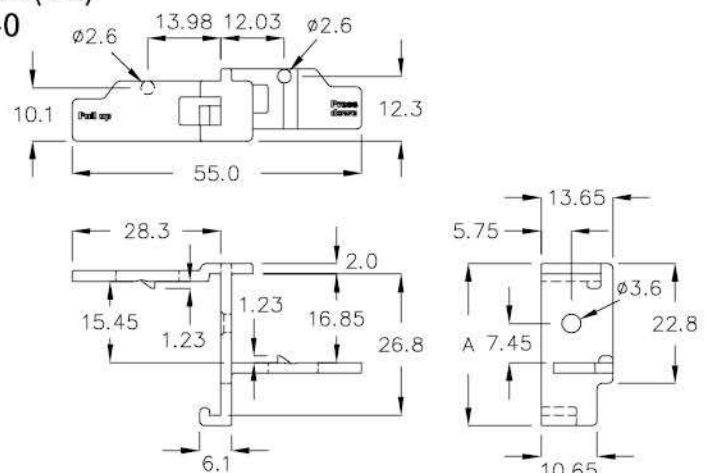
| PART NO   | A    | PACKAGE |
|-----------|------|---------|
| ★ MGMB-28 | 26.5 | 500     |



固定座 MOUNT 13-27-4

- MATERIAL: NYLON 66(UL)
- FLAME CLASS: 94V-0
- COLOR: BLUE

NEW



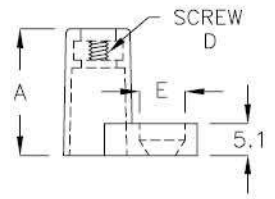
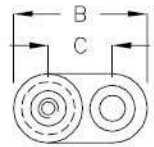
| PART NO   | A    | PACKAGE |
|-----------|------|---------|
| ★ MGMA-30 | 30.8 | 500     |



## 固定座 MOUNT

13-28-1

- FLAME CLASS: 94V-0
- COLOR: BLACK
- MATERIAL: BRASS



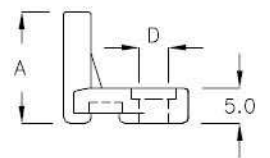
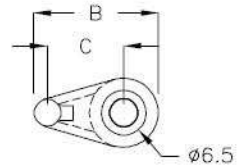
| PART NO | MATERIAL | A    | B    | C    | D  | E     | PACKAGE |
|---------|----------|------|------|------|----|-------|---------|
| LCM3-20 | ABS      | 20.0 | 21.0 | 10.1 | M3 | φ7.1  | 500     |
| LCM5-20 | PBT      | 20.0 | 26.0 | 12.5 | M5 | φ10.0 |         |



## 固定座 MOUNT

13-28-2

- MATERIAL: NYLON 66+30%FRP(UL)
- FLAME CLASS: 94V-0
- COLOR: BLACK



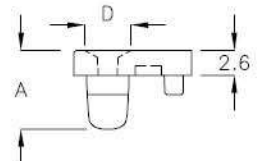
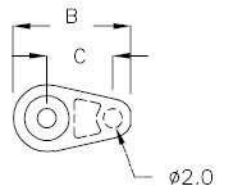
| PART NO | A    | B    | C    | D    | PACKAGE |
|---------|------|------|------|------|---------|
| MGZ-18  | 16.0 | 18.0 | 11.0 | φ4.2 | 500     |



## 固定座 MOUNT

13-28-3

- MATERIAL: NYLON 66(UL)
- FLAME CLASS: 94V-2
- COLOR: NATURAL



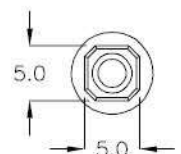
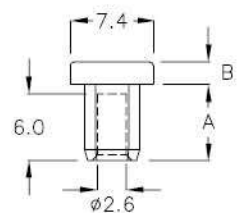
| PART NO | A    | B    | C   | D    | PACKAGE |
|---------|------|------|-----|------|---------|
| MWZ-12A | 8.15 | 12.1 | 6.8 | φ4.7 | 500     |



## 固定座 MOUNT

13-28-4

- MATERIAL: NYLON 66(UL)
- FLAME CLASS: 94V-2
- COLOR: BLACK



| PART NO | A   | B   | PACKAGE |
|---------|-----|-----|---------|
| MMW-7   | 6.9 | 2.0 | 500     |

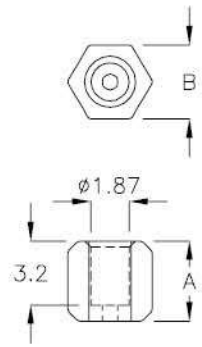


### 固定座 MOUNT

**13-29-1**

- MATERIAL: NYLON 66(UL)
- FLAME CLASS: 94V-2
- COLOR: BLACK

| PART NO | A   | B   | PACKAGE |
|---------|-----|-----|---------|
| MGL-04  | 4.0 | 3.8 | 1000    |

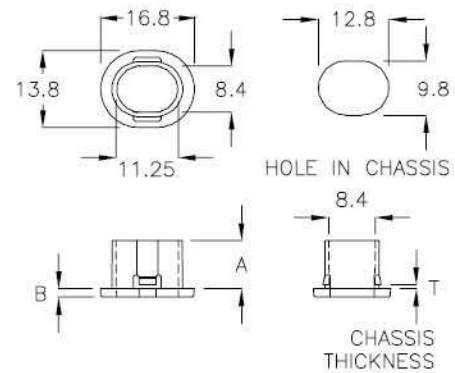


### 塞環 HOLE PLUG

**13-29-2**

- MATERIAL: NYLON 66(UL)
- FLAME CLASS: 94V-2
- COLOR: NATURAL

| PART NO | A    | B   | T<br>CHASSIS<br>THICKNESS | PACKAGE |
|---------|------|-----|---------------------------|---------|
| MGF-01  | 8.75 | 1.5 | 0.7                       | 500     |

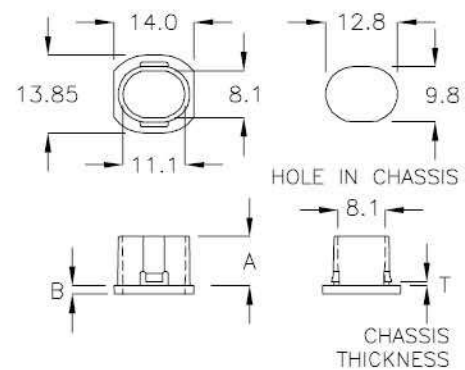


### 塞環 HOLE PLUG

**13-29-3**

- MATERIAL: NYLON 66(UL)
- FLAME CLASS: 94V-2
- COLOR: NATURAL

| PART NO | A    | B   | T<br>CHASSIS<br>THICKNESS | PACKAGE |
|---------|------|-----|---------------------------|---------|
| MGF-14  | 7.25 | 1.5 | 0.6                       | 500     |

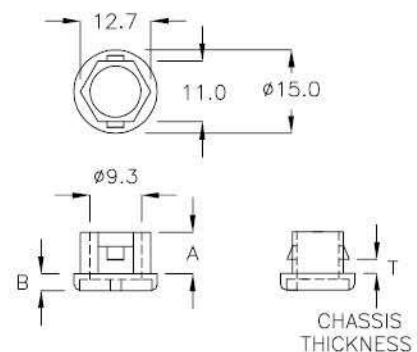


### 固定座 MOUNT

**13-29-4**

- MATERIAL: ABS
- FLAME CLASS: 94V-0
- COLOR: NATURAL

| PART NO | A   | B   | T<br>CHASSIS<br>THICKNESS | PACKAGE |
|---------|-----|-----|---------------------------|---------|
| PED-01  | 7.5 | 3.0 | 2.2                       | 1000    |



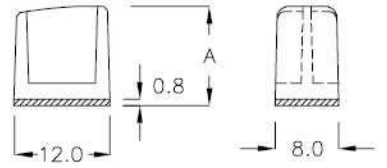
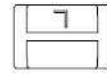


## 固定座 MOUNT

13-30-1

- MATERIAL: NYLON 66(UL)
- FLAME CLASS: 94V-2
- COLOR: NATURAL
- ADHESIVE TAPE: 3M

| PART NO | A    | PACKAGE |
|---------|------|---------|
| MML-11A | 12.4 | 500     |

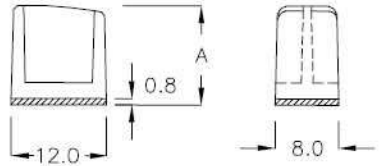
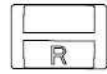


## 固定座 MOUNT

13-30-2

- MATERIAL: NYLON 66(UL)
- FLAME CLASS: 94V-2
- COLOR: NATURAL
- ADHESIVE TAPE: 3M

| PART NO | A    | PACKAGE |
|---------|------|---------|
| MMR-11A | 12.4 | 500     |

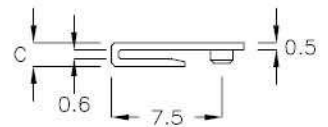
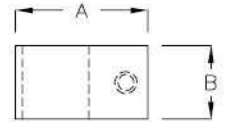


## 固定座 MOUNT

13-30-3

- MATERIAL: NYLON 66(UL)
- FLAME CLASS: 94V-2
- COLOR: BLACK

| PART NO | A   | B   | C   | PACKAGE |
|---------|-----|-----|-----|---------|
| MWC-05  | 9.0 | 5.0 | 1.6 | 1000    |

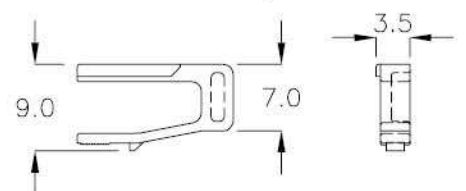
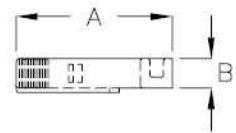


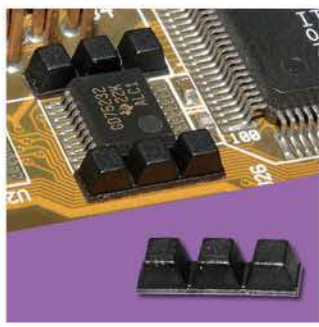
## 固定座 MOUNT

13-30-4

- MATERIAL: NYLON 66(UL)
- FLAME CLASS: 94V-2
- COLOR: NATURAL

| PART NO | A    | B   | PACKAGE |
|---------|------|-----|---------|
| HPA-16K | 16.6 | 3.1 | 500     |

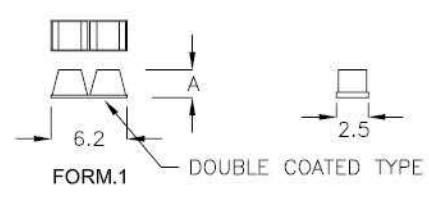




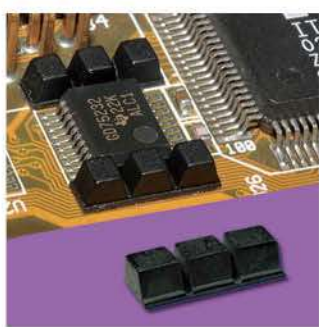
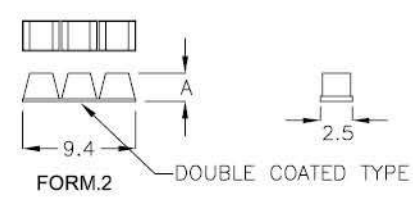
支撐柱 CHIP SUPPORT

13-31-1

- MATERIAL: NYLON 66(UL)
- FLAME CLASS: 94V-2
- COLOR: BLACK
- ADHESIVE TAPE: DEXERIALS or EQUIVALENT



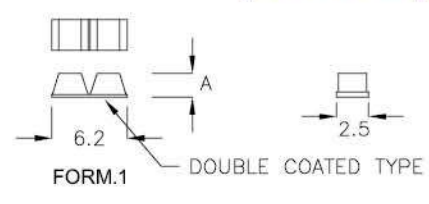
| PART NO | A   | FORM | PACKAGE |
|---------|-----|------|---------|
| DPM-02T | 2.5 | 1    | 5000    |
| DPM-3AT | 2.5 | 2    |         |



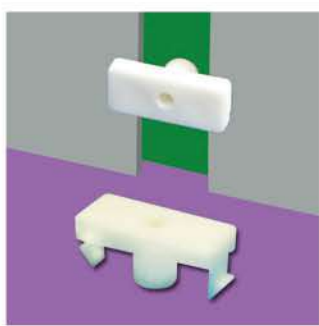
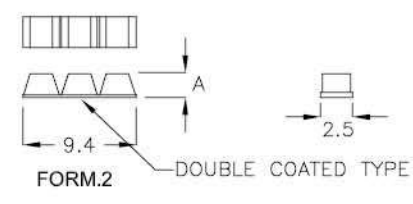
支撐柱 CHIP SUPPORT

13-31-2

- MATERIAL: NYLON 66(UL)
- FLAME CLASS: 94V-2
- COLOR: BLACK
- ADHESIVE TAPE: DEXERIALS or EQUIVALENT



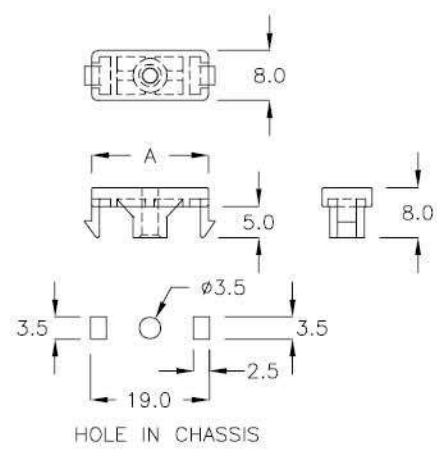
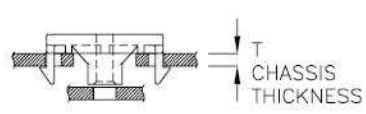
| PART NO | A   | FORM | PACKAGE |
|---------|-----|------|---------|
| DPS-2CK | 2.2 | 1    | 5000    |
| DPS-3FQ | 2.2 | 2    |         |



固定座 MOUNT

13-31-3

- MATERIAL: NYLON 66(UL)
- FLAME CLASS: 94V-2
- COLOR: NATURAL
- USE M3 TAPPING SCREW



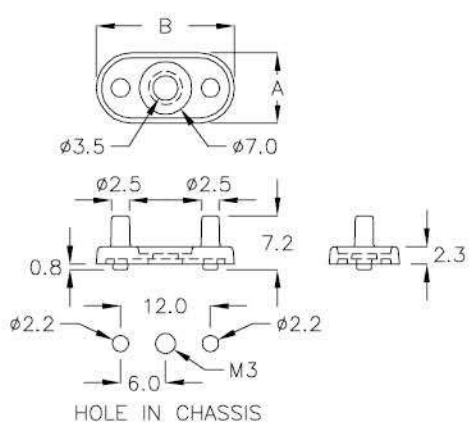
| PART NO | A    | T CHASSIS THICKNESS | PACKAGE |
|---------|------|---------------------|---------|
| MGK-18F | 18.7 | 2.0                 | 500     |



固定座 MOUNT

13-31-4

- MATERIAL: NYLON 66(UL)
- FLAME CLASS: 94V-0
- COLOR: BLACK



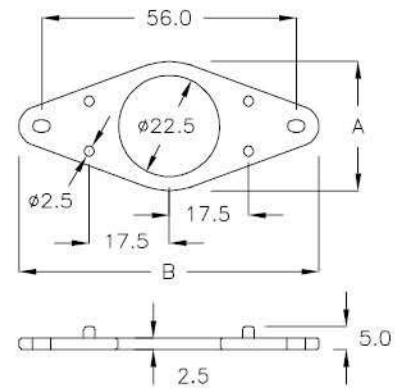
| PART NO | A   | B    | PACKAGE |
|---------|-----|------|---------|
| MGKH-18 | 9.4 | 18.4 | 500     |



## 喇叭座 SPEAKER HOUSING

13-32-1

- MATERIAL: POM
- COLOR: WHITE



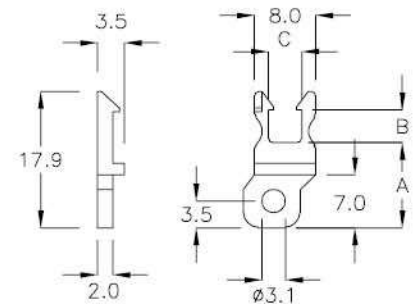
| PART NO | A    | B    | PACKAGE |
|---------|------|------|---------|
| SP-2866 | 28.5 | 66.0 | 200     |



## 電線固定扣 CABLE CLAMP

13-32-2

- MATERIAL: NYLON 66(UL)
- FLAME CLASS: 94V-2
- COLOR: NATURAL



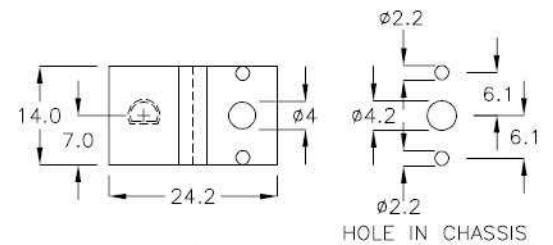
| PART NO | A    | B   | C   | PACKAGE |
|---------|------|-----|-----|---------|
| LQC-02  | 11.2 | 4.2 | 4.4 | 500     |



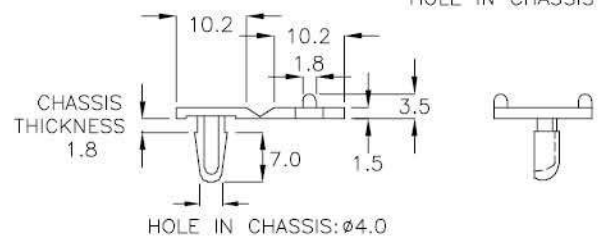
## P.C. 板固定扣 P.C.B. HINGE

13-32-3

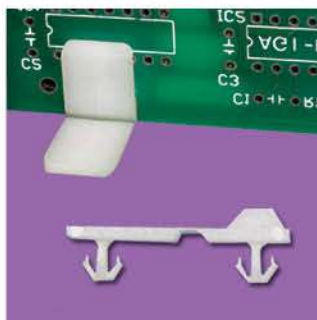
- MATERIAL: PP
- COLOR: NATURAL



| PART NO | A    | PACKAGE |
|---------|------|---------|
| BH-5    | 24.2 | 1000    |



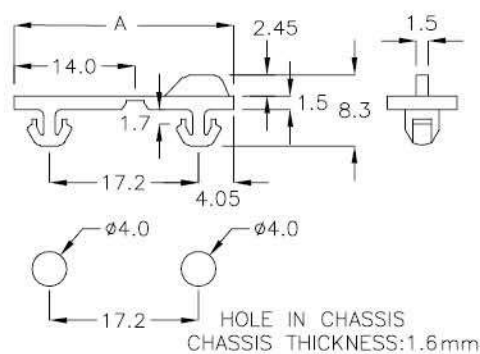




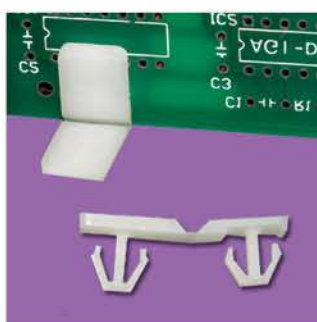
## P.C. 板固定扣 P.C.B. HINGE

13-33-1

- MATERIAL: NYLON 66(UL)
- FLAME CLASS: 94V-2
- COLOR: NATURAL



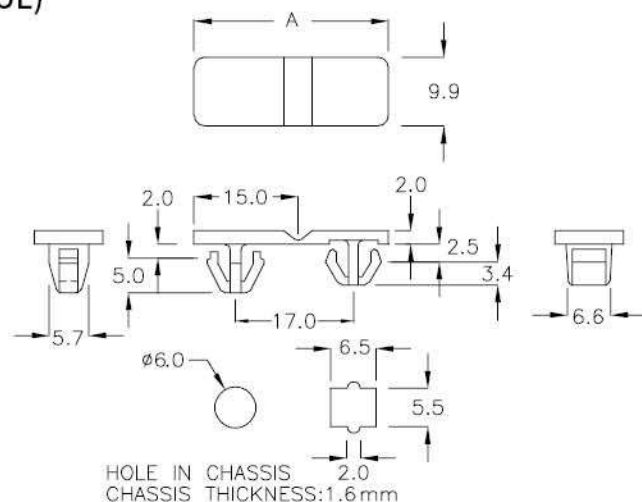
| PART NO | A    | PACKAGE |
|---------|------|---------|
| BH-6    | 25.3 | 500     |



## P.C. 板固定扣 P.C.B. HINGE

13-33-2

- MATERIAL: NYLON 66(UL)
- FLAME CLASS: 94V-2
- COLOR: NATURAL



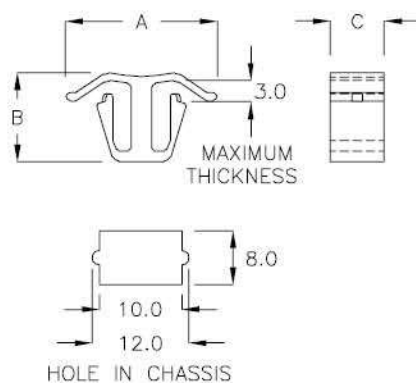
| PART NO | A    | PACKAGE |
|---------|------|---------|
| BH-7    | 28.0 | 500     |



## 固定扣 CANOE CLIP

13-33-3

- MATERIAL: PC(UL)
- FLAME CLASS: 94V-2
- COLOR: BLACK



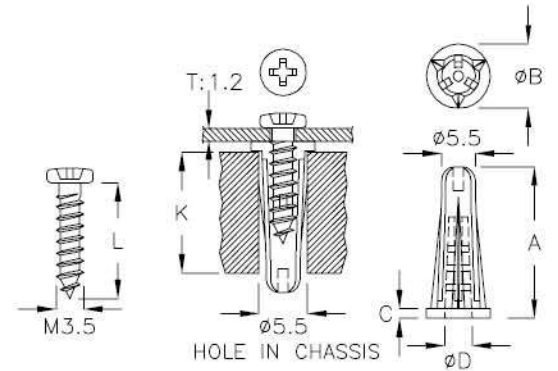
| PART NO | A    | B    | C   | PACKAGE |
|---------|------|------|-----|---------|
| DCQ-01  | 21.9 | 12.8 | 7.8 | 500     |



螺絲固定座 WALL INSERT

13-34-1

- MATERIAL: NYLON 66(UL)
- FLAME CLASS: 94V-2
- COLOR: NATURAL



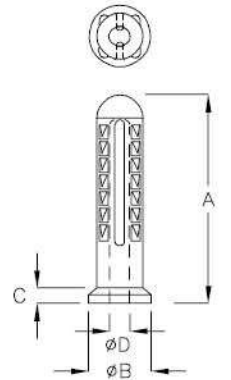
| PART NO | A    | B   | C   | D   | K CHASSIS THICKNESS | L SCREW LENGTH | PACKAGE |
|---------|------|-----|-----|-----|---------------------|----------------|---------|
| MHW-01  | 18.7 | 7.9 | 1.2 | 3.4 | >22.0               | 12.0           | 1000    |
| MHW-02  | 22.0 | 8.2 | 1.0 | 4.6 | >25.0               | 14.0           |         |
| MHW-03  | 22.3 | 8.0 | 1.0 | 3.8 | >25.0               | 14.0           |         |
| MHW-04  | 33.0 | 8.0 | 1.0 | 3.5 | >35.0               | 20.0           |         |



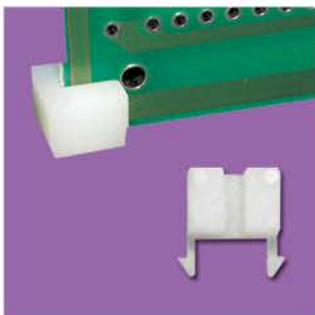
螺絲固定座 WALL INSERT

13-34-2

- MATERIAL: PE
- COLOR: NATURAL



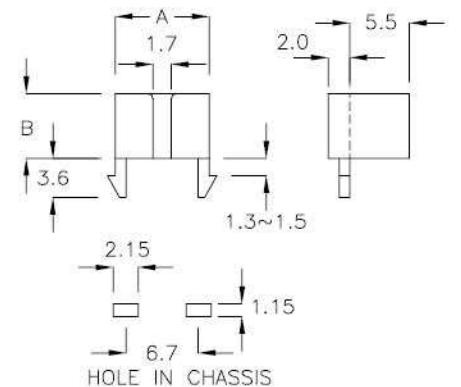
| PART NO | A    | B   | C   | D   | HOLE IN CHASSIS | CHASSIS THICKNESS | TAPPING SCREW | SCREW LENGTH | PACKAGE |
|---------|------|-----|-----|-----|-----------------|-------------------|---------------|--------------|---------|
| MHM-30  | 30.0 | 9.0 | 2.2 | 2.9 | ø6.7            | 33.0              | M4            | 12.0         | 500     |



固定座 EDGE CONNECT BASE

13-34-3

- MATERIAL: NYLON 66(UL)
- FLAME CLASS: 94V-2
- COLOR: NATURAL



| PART NO | A   | B   | PACKAGE |
|---------|-----|-----|---------|
| MH-4    | 8.7 | 6.0 | 1000    |

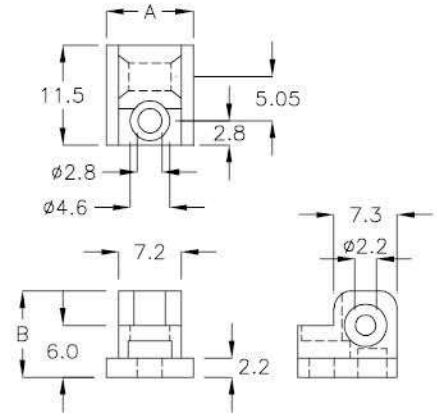


## 固定座 EDGE CONNECT BASE

13-35-1

- MATERIAL: NYLON 66(UL)
- FLAME CLASS: 94V-2
- COLOR: NATURAL
- WITH COUNTERSUNK SCREW

| PART NO | A    | B    | PACKAGE |
|---------|------|------|---------|
| MH-5    | 10.0 | 10.0 | 1000    |

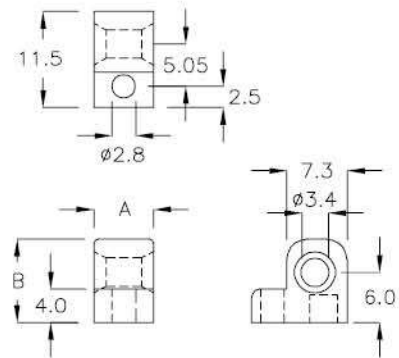


## 固定座 EDGE CONNECT BASE

13-35-2

- MATERIAL: NYLON 66(UL)
- FLAME CLASS: 94V-2
- COLOR: NATURAL
- WITH COUNTERSUNK SCREW

| PART NO | A   | B    | PACKAGE |
|---------|-----|------|---------|
| MH-05C  | 7.2 | 10.0 | 1000    |

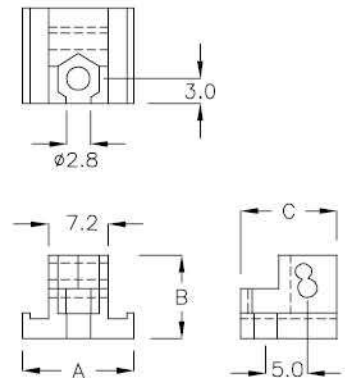


## 固定座 EDGE CONNECT BASE

13-35-3

- MATERIAL: NYLON 66(UL)
- FLAME CLASS: 94V-2
- COLOR: NATURAL

| PART NO | A    | B    | C    | PACKAGE |
|---------|------|------|------|---------|
| MH-6    | 13.4 | 10.0 | 11.5 | 500     |

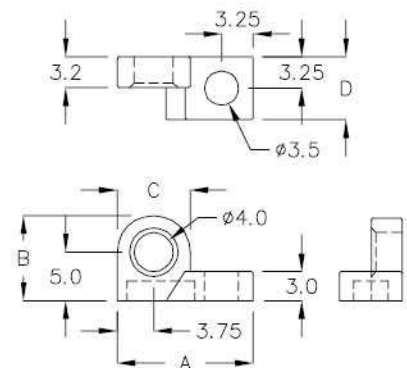


## 固定座 EDGE CONNECT BASE

13-35-4

- MATERIAL: NYLON 66(UL)
- FLAME CLASS: 94V-2
- COLOR: NATURAL

| PART NO | A    | B    | C   | D   | PACKAGE |
|---------|------|------|-----|-----|---------|
| MH-6A   | 14.0 | 8.75 | 7.5 | 6.5 | 500     |

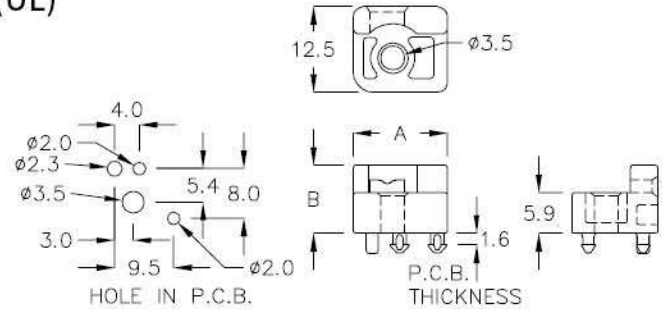




固定座 MOUNT

13-36-1

- MATERIAL: NYLON 66(UL)
- FLAME CLASS: 94V-0
- COLOR: BLACK



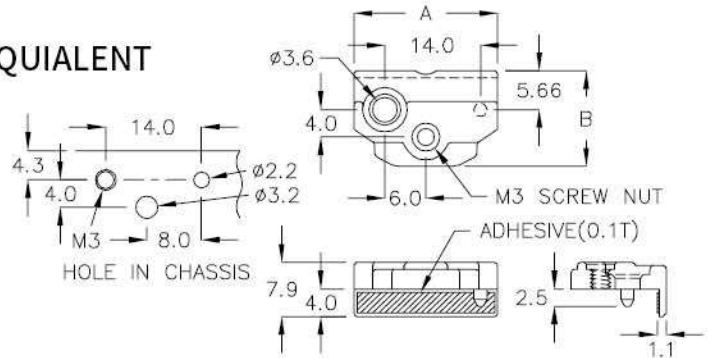
| PART NO | A    | B   | PACKAGE |
|---------|------|-----|---------|
| MH-13AK | 13.8 | 9.9 | 500     |



固定座 MOUNT

13-36-2

- MATERIAL: ABS(UL)
- FLAME CLASS: 94HB
- COLOR: NATURAL
- ADHESIVE TAPE: EQUIALENT



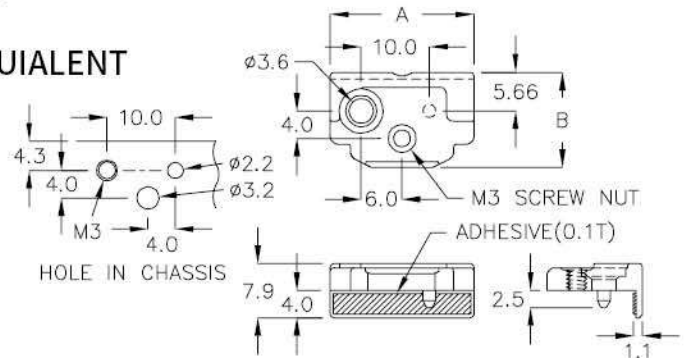
| PART NO  | A    | B    | PACKAGE |
|----------|------|------|---------|
| MRN-21KG | 21.0 | 13.9 | 500     |



固定座 MOUNT

13-36-3

- MATERIAL: ABS(UL)
- FLAME CLASS: 94HB
- COLOR: BLACK
- ADHESIVE TAPE: EQUIALENT



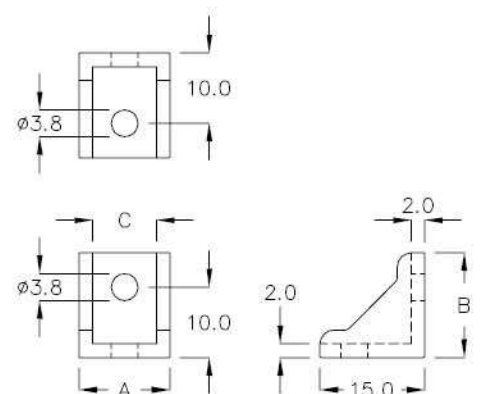
| PART NO  | A    | B    | PACKAGE |
|----------|------|------|---------|
| MRN-21YL | 21.0 | 13.9 | 500     |



固定座 EDGE CONNECT BASE

13-36-4

- MATERIAL: NYLON 66(UL)
- FLAME CLASS: 94V-0
- COLOR: BLACK

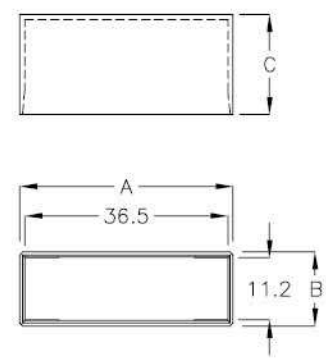


| PART NO | A    | B    | C   | PACKAGE |
|---------|------|------|-----|---------|
| MMX-15F | 13.0 | 15.0 | 9.0 | 200     |



散熱片護套 HEAT SINK COVER | 13-37-1 |

- MATERIAL: NYLON 66(UL)
- FLAME CLASS: 94V-2
- COLOR: BLACK

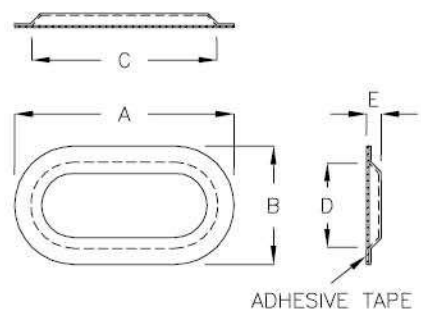


| PART NO | A    | B    | C    | PACKAGE |
|---------|------|------|------|---------|
| HDA-01  | 38.5 | 13.3 | 18.0 | 200     |



保護罩 INSULATION CAP | 13-37-2 |

- MATERIAL: PP
- COLOR: BLACK

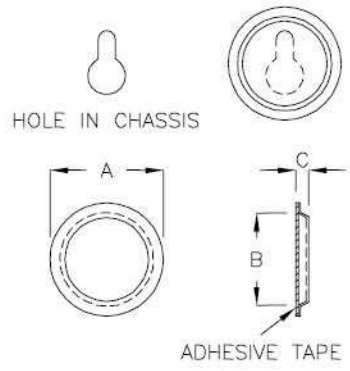


| PART NO | A    | B    | C    | D    | E    | PACKAGE |
|---------|------|------|------|------|------|---------|
| HD-27MQ | 27.0 | 17.5 | 20.4 | 10.9 | 3.43 | 1200    |
| HD-34   | 33.4 | 19.1 | 27.3 | 13.0 | 2.3  | 840     |
| HD-35FC | 35.3 | 21.5 | 28.4 | 14.9 | 5.13 | 840     |
| HD-52   | 51.7 | 28.0 | 44.0 | 20.0 | 3.0  | 450     |



保護罩 INSULATION CAP | 13-37-3 |

- MATERIAL: PP(UL)
- COLOR: BLACK



| PART NO   | A     | B     | C   | PACKAGE |
|-----------|-------|-------|-----|---------|
| HD-24C    | ∅24.0 | ∅18.0 | 2.3 | 990     |
| HD-26     | ∅26.0 | ∅19.7 | 2.3 |         |
| HD-31A    | ∅31.6 | ∅21.3 | 2.8 | 690     |
| ★ HD-31CD | ∅31.6 | ∅21.3 | 3.2 |         |

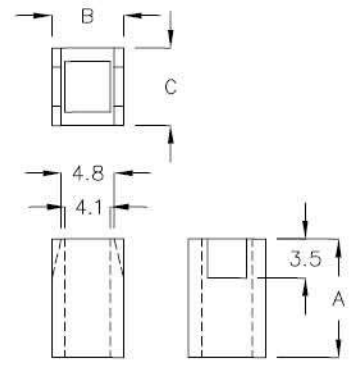


固定座 MOUNT

13-38-1

- MATERIAL: NYLON 66(UL)
- FLAME CLASS: 94V-2
- COLOR: BLACK

| PART NO | A    | B   | C   | PACKAGE |
|---------|------|-----|-----|---------|
| D-0710  | 10.8 | 6.5 | 7.0 | 1000    |

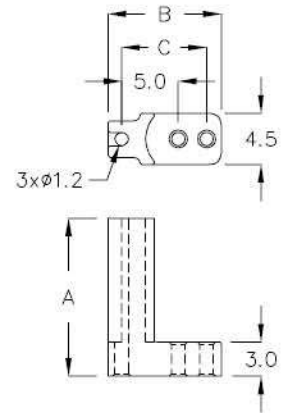


固定座 MOUNT

13-38-2

- MATERIAL: PBT
- FLAME CLASS: 94V-0
- COLOR: NATURAL

| PART NO | A    | B    | C   | D    | PACKAGE |
|---------|------|------|-----|------|---------|
| MJC-15  | 15.5 | 10.0 | 7.5 | ø1.2 | 500     |

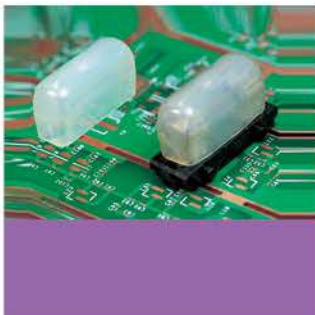
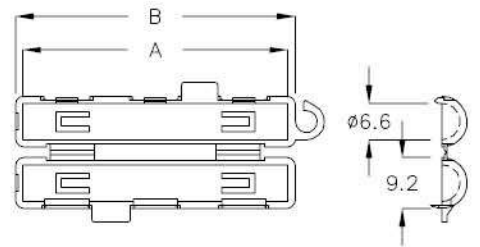


保險絲盒 FUSE BOX

13-38-3

- MATERIAL: NYLON 66(UL)
- FLAME CLASS: 94V-2
- COLOR: NATURAL

| PART NO | A    | B    | PACKAGE |
|---------|------|------|---------|
| MFH-50  | 48.2 | 51.0 | 500     |



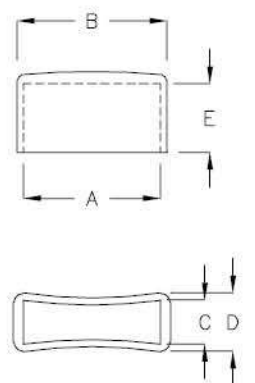
保險絲蓋 FUSE COVER

13-38-4

- MATERIAL: PVC
- COLOR: NATURAL

**RU**® E122477(S)

| PART NO | A    | B    | C   | D    | E    | UL | PACKAGE |
|---------|------|------|-----|------|------|----|---------|
| FH-1    | 19.8 | 22.6 | 5.6 | 8.4  | 11.0 | UL | 1000    |
| FH-1L   | 22.0 | 24.0 | 6.0 | 8.0  | 11.0 | UL |         |
| FH-1S   | 18.0 | 20.5 | 5.3 | 7.8  | 10.0 | UL |         |
| FH-3    | 31.6 | 33.6 | 9.5 | 12.0 | 13.0 | UL | 500     |
| FH-3A   | 31.0 | 33.6 | 8.1 | 10.5 | 11.5 | UL |         |
| FH-13   | 12.2 | 14.2 | 4.7 | 6.7  | 9.0  | UL | 1000    |

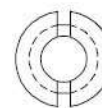
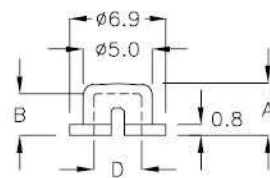




## 開關延長蓋 SWITCH EXTENDING COVER — 13-39-1 |

- MATERIAL: NYLON 66(UL)
- FLAME CLASS: 94V-2
- COLOR: BLACK

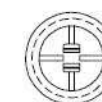
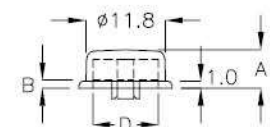
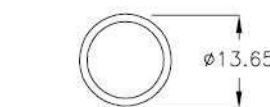
| PART NO | A   | B   | D    | PACKAGE |
|---------|-----|-----|------|---------|
| HSA-01  | 3.8 | 3.0 | ∅3.4 | 1000    |



## 開關延長蓋 SWITCH EXTENDING COVER — 13-39-2 |

- MATERIAL: NYLON 66(UL)
- FLAME CLASS: 94V-2
- COLOR: BLACK

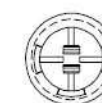
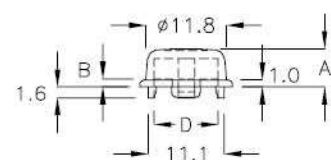
| PART NO | A   | B   | D    | PACKAGE |
|---------|-----|-----|------|---------|
| HS-5A   | 5.6 | 1.2 | ∅9.5 | 1000    |



## 開關延長蓋 SWITCH EXTENDING COVER — 13-39-3 |

- MATERIAL: NYLON 66(UL)
- FLAME CLASS: 94V-2
- COLOR: BLACK

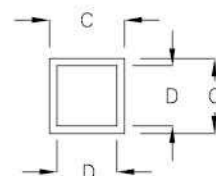
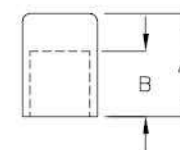
| PART NO | A   | B   | D    | PACKAGE |
|---------|-----|-----|------|---------|
| HS-5K   | 5.6 | 1.2 | ∅9.5 | 1000    |



## 開關延長蓋 SWITCH EXTENDING COVER — 13-39-4 |

- MATERIAL: NYLON 66(UL)
- FLAME CLASS: 94V-2
- COLOR: NATURAL

| PART NO | A   | B    | C    | D   | PACKAGE |
|---------|-----|------|------|-----|---------|
| HS-1    | 5.5 | 3.5  | 4.0  | 3.2 | 2000    |
| HS-01A  | 4.7 | 3.45 | 5.25 | 3.2 |         |
| HS-1S   | 4.7 | 3.45 | 5.25 | 3.3 |         |
| HS-2    | 6.5 | 4.5  | 5.0  | 2.8 |         |
| HS-2H   | 4.4 | 3.0  | 5.0  | 2.7 |         |

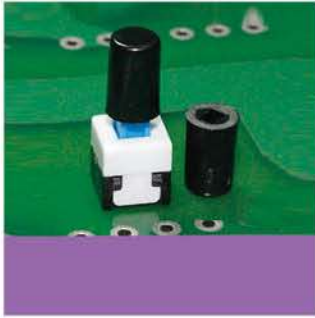
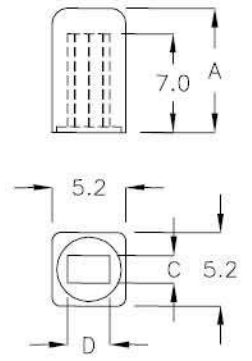




### 開關延長蓋 SWITCH EXTENDING COVER — 13-40-1

- MATERIAL: ABS
- FLAME CLASS: 94HB
- COLOR: BLACK

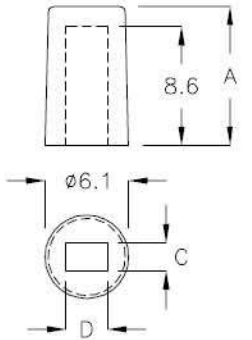
| PART NO | A   | C   | D   | PACKAGE |
|---------|-----|-----|-----|---------|
| HS-009  | 8.8 | 2.0 | 3.0 | 2000    |



### 開關延長蓋 SWITCH EXTENDING COVER — 13-40-2

- MATERIAL: NYLON 66(UL)
- FLAME CLASS: 94V-2
- COLOR: BLACK, NATURAL

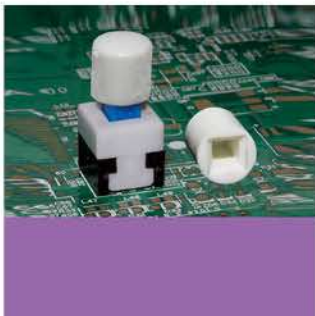
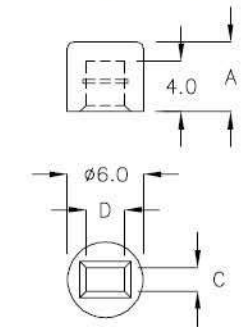
| PART NO | A   | C   | D   | PACKAGE |
|---------|-----|-----|-----|---------|
| HS-1C   | 9.6 | 2.0 | 3.0 | 2000    |



### 開關延長蓋 SWITCH EXTENDING COVER — 13-40-3

- MATERIAL: NYLON 66(UL)
- FLAME CLASS: 94V-2
- COLOR: BLACK, NATURAL

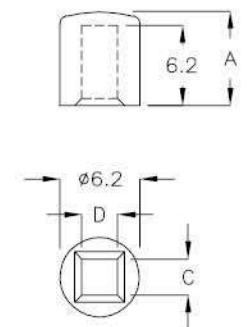
| PART NO | A   | C   | D   | PACKAGE |
|---------|-----|-----|-----|---------|
| HS-06C  | 5.5 | 1.9 | 3.0 | 2000    |



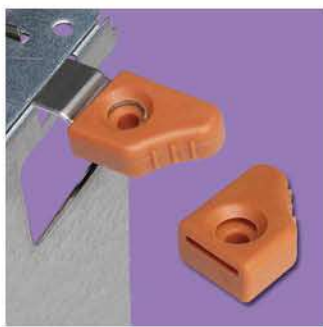
### 開關延長蓋 SWITCH EXTENDING COVER — 13-40-4

- MATERIAL: ABS
- FLAME CLASS: 94HB
- COLOR: NATURAL

| PART NO | A   | C   | D   | PACKAGE |
|---------|-----|-----|-----|---------|
| HSQ-7C  | 7.3 | 2.8 | 2.8 | 2000    |



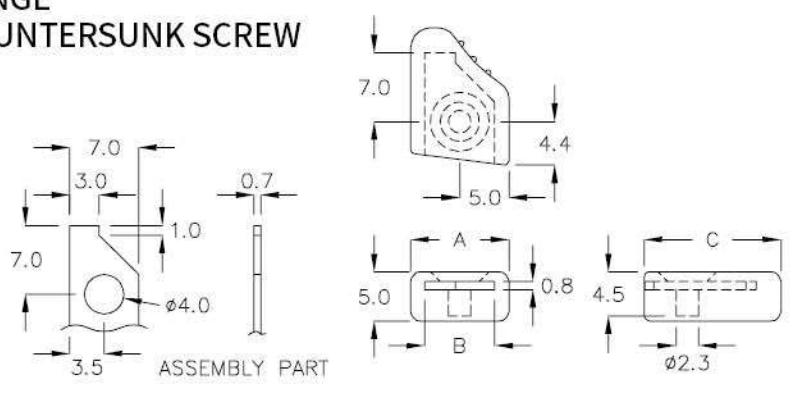




把手蓋 EJECTOR COVER | 13-61-1 |

- MATERIAL: PC(UL)
- COLOR: ORANGE
- USE M2.5 COUNTERSUNK SCREW

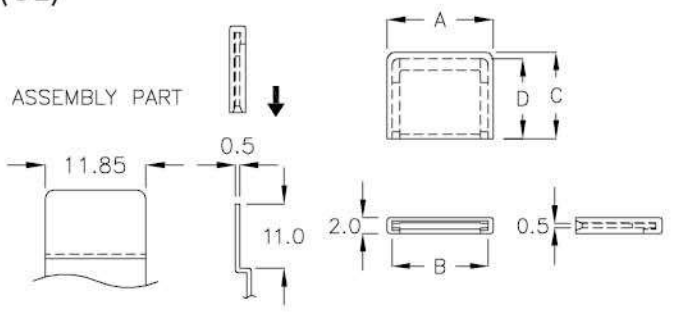
| PART NO  | A    | B   | C    | PACKAGE |
|----------|------|-----|------|---------|
| MHL-10KF | 10.0 | 7.1 | 13.9 | 500     |



把手蓋 EJECTOR COVER | 13-61-2 |

- MATERIAL: NYLON 66(UL)
- FLAME CLASS: 94V-0
- COLOR: BLACK

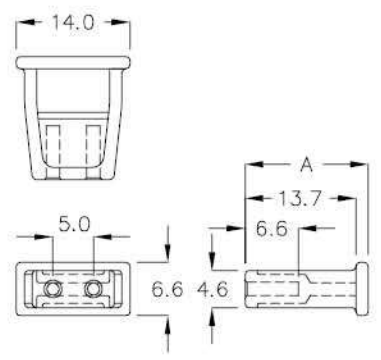
| PART NO  | A    | B    | C     | D     | PACKAGE |
|----------|------|------|-------|-------|---------|
| MHL-13CK | 13.3 | 12.1 | 10.85 | 10.05 | 1000    |



把手蓋 EJECTOR COVER | 13-61-3 |

- MATERIAL: NYLON 66(UL)
- FLAME CLASS: 94V-0
- COLOR: BLUE
- USE M2 TAPPING SCREW

| PART NO  | A    | PACKAGE |
|----------|------|---------|
| MHLF-15A | 15.2 | 500     |



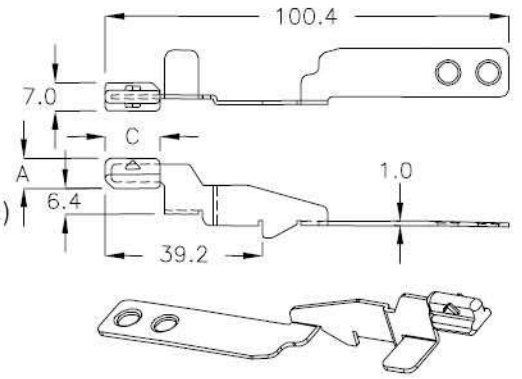


把手蓋 EJECTOR COVER 13-62-1

- MATERIAL: ABS+PC
- FLAME CLASS: 94V-0
- COLOR: GREEN
- MATERIAL: SUS301
- COLOR: NATURAL

鐵件為客戶提供，我司協助包埋射出  
(此為客製品，歡迎提供鐵件，我司協助包埋)

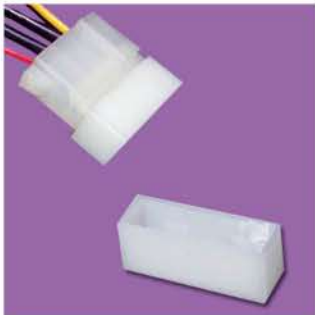
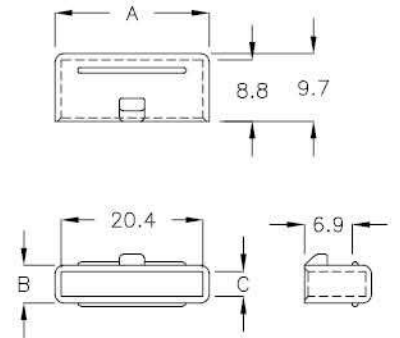
| PART NO   | A   | C    | PACKAGE |
|-----------|-----|------|---------|
| MHLA-14GP | 7.5 | 13.7 | 50      |



SATA 防塵蓋 SATA DUST COVER 13-62-2

- MATERIAL: NYLON 66(UL)
- FLAME CALSS: 94V-2
- COLOR: BLACK

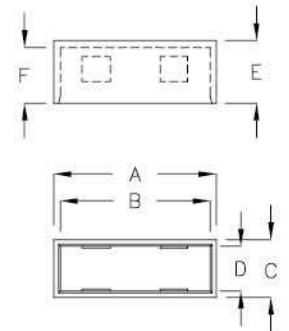
| PART NO | A    | B   | C   | PACKAGE |
|---------|------|-----|-----|---------|
| HTD-20A | 22.2 | 5.4 | 3.6 | 1000    |

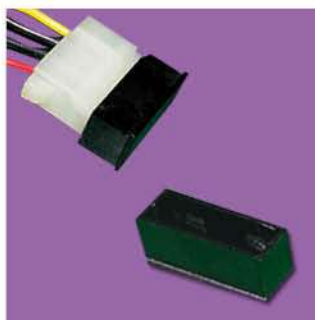


SATA 防塵蓋 SATA DUST COVER 13-62-3

- MATERIAL: NYLON 66(UL)
- FLAME CALSS: 94V-2
- COLOR: NATURAL

| PART NO | A    | B    | C   | D   | E   | F   | PACKAGE |
|---------|------|------|-----|-----|-----|-----|---------|
| HC-21   | 23.4 | 21.6 | 8.2 | 6.4 | 9.0 | 8.0 | 500     |

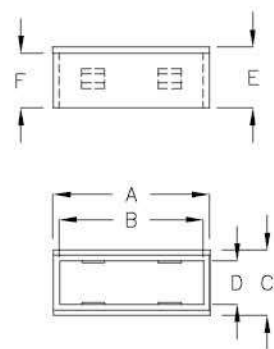




## SATA 防塵蓋 SATA DUST COVER 13-63-1

- MATERIAL: NYLON 66(UL)
- FLAME CLASS: 94V-2
- COLOR: BLACK

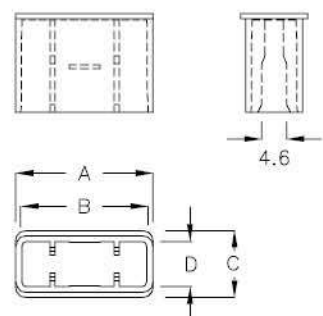
| PART NO | A    | B    | C    | D   | E   | F   | PACKAGE |
|---------|------|------|------|-----|-----|-----|---------|
| HC-21F  | 23.9 | 22.0 | 10.0 | 6.6 | 9.3 | 8.3 | 500     |
| HC-21H  | 23.0 | 21.1 | 10.4 | 6.5 | 9.1 | 8.1 |         |



## SATA 防塵蓋 SATA DUST COVER 13-63-2

- MATERIAL: ABS(UL)
- FLAME CLASS: 94V-0
- COLOR: BLACK

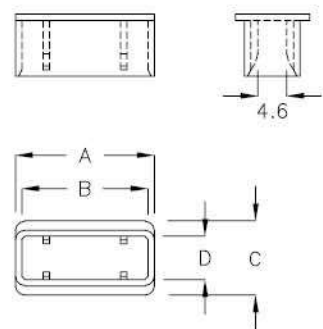
| PART NO | A    | B    | C    | D   | PACKAGE |
|---------|------|------|------|-----|---------|
| HC-27A  | 26.7 | 24.7 | 13.0 | 8.6 | 500     |



## SATA 防塵蓋 SATA DUST COVER 13-63-3

- MATERIAL: PC(UL)
- FLAME CLASS: 94V-2
- COLOR: BLACK

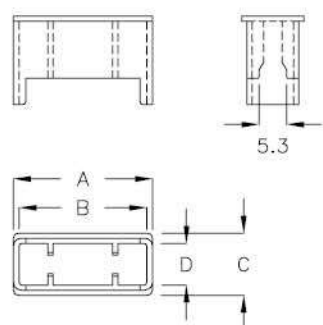
| PART NO  | A    | B    | C    | D   | PACKAGE |
|----------|------|------|------|-----|---------|
| HCQ-22KR | 22.5 | 20.5 | 12.0 | 7.0 | 500     |



## SATA 防塵蓋 SATA DUST COVER 13-63-4

- MATERIAL: ABS(UL)
- FLAME CLASS: 94V-0
- COLOR: BLACK

| PART NO | A    | B    | C    | D   | PACKAGE |
|---------|------|------|------|-----|---------|
| HC-27C  | 26.8 | 24.4 | 12.0 | 8.0 | 500     |



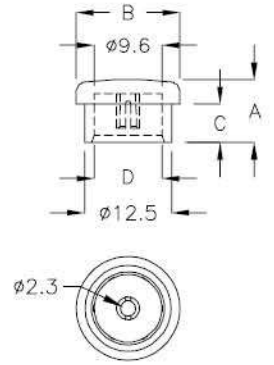


網通光纖接頭防塵蓋  
TRANSPORTER COVER

13-64-1

- MATERIAL: NYLON 66(UL)
- FLAME CLASS: 94V-2
- COLOR: BLACK

| PART NO | A   | B     | C   | D    | PACKAGE |
|---------|-----|-------|-----|------|---------|
| HB-01   | 9.0 | ∅15.0 | 5.5 | ∅9.8 | 1000    |

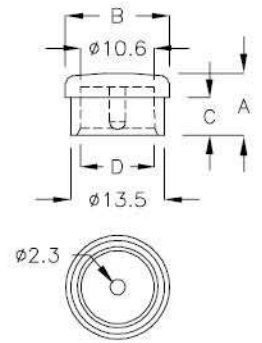


網通光纖接頭防塵蓋  
TRANSPORTER COVER

13-64-2

- MATERIAL: NYLON 66(UL)
- FLAME CLASS: 94V-2
- COLOR: BLACK

| PART NO | A   | B     | C   | D     | PACKAGE |
|---------|-----|-------|-----|-------|---------|
| HB-02   | 9.0 | ∅15.0 | 5.5 | ∅10.7 | 1000    |

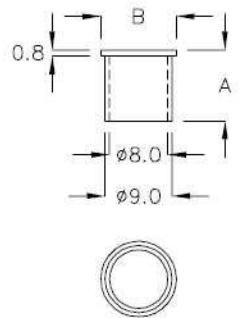


PS/2 防塵蓋 PS/2 DUST COVER

13-64-3

- MATERIAL: PP
- COLOR: BLACK

| PART NO | A    | B     | PACKAGE |
|---------|------|-------|---------|
| HB-03   | 10.4 | ∅10.5 | 1000    |

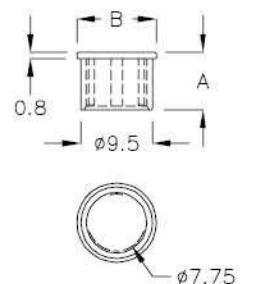


BNC 防塵蓋 BNC DUST COVER

13-64-4

- MATERIAL: NYLON 66(UL)
- FLAME CLASS: 94V-2
- COLOR: BLACK

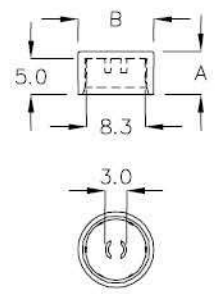
| PART NO | A   | B     | PACKAGE |
|---------|-----|-------|---------|
| HBK-8D  | 7.6 | ∅10.5 | 500     |





AVI 端子防塵蓋 DUST COVER | 13-65-1 |

- MATERIAL: NYLON 66(UL)
- FLAME CLASS: 94V-2
- COLOR: BLACK

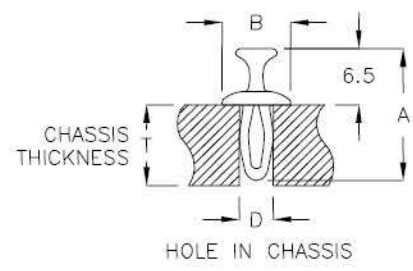


| PART NO | A   | B     | PACKAGE |
|---------|-----|-------|---------|
| AVI-01  | 6.0 | ø10.6 | 1000    |



音源孔插頭蓋 AUDIO SOURCE HOLE COVER | 13-65-2 |

- MATERIAL: NYLON 66(UL)
- FLAME CLASS: 94V-2
- COLOR: BLACK

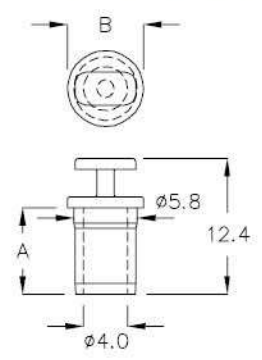


| PART NO | A    | B    | T CHASSIS THICKNESS | D HOLE IN CHASSIS | PACKAGE |
|---------|------|------|---------------------|-------------------|---------|
| MBJ-3A  | 15.3 | ø7.9 | >8.8                | ø3.6~ø3.65        | 2000    |



插頭蓋 DC COVER | 13-65-3 |

- MATERIAL: NYLON 66(UL)
- FLAME CLASS: 94V-2
- COLOR: BLACK

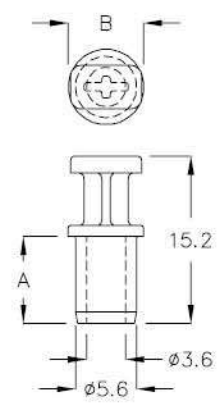


| PART NO | A   | B    | PACKAGE |
|---------|-----|------|---------|
| DCC-5JA | 7.9 | ø6.9 | 2000    |



插頭蓋 DC COVER | 13-65-4 |

- MATERIAL: NYLON 66(UL)
- FLAME CLASS: 94V-2
- COLOR: BLACK



| PART NO | A   | B    | PACKAGE |
|---------|-----|------|---------|
| DCJ-5GK | 7.9 | ø6.9 | 2000    |

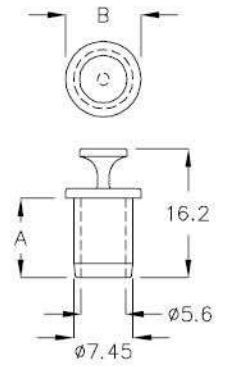


### 插頭蓋 DC COVER

### 13-66-1

- MATERIAL: NYLON 66(UL)
- FLAME CLASS: 94V-2
- COLOR: BLACK

| PART NO | A    | B    | PACKAGE |
|---------|------|------|---------|
| DCC-7AK | 10.0 | ø9.5 | 2000    |

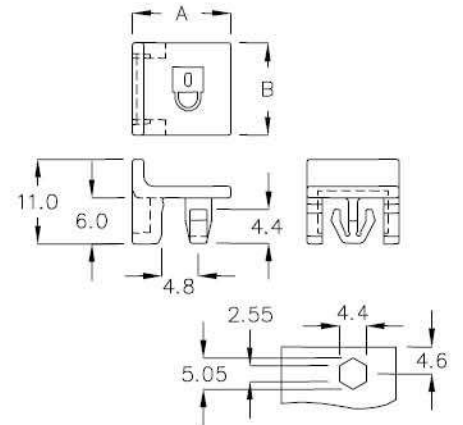


### 固定座 MOUNT

### 13-66-2

- MATERIAL: NYLON 66(UL)
- FLAME CLASS: 94V-2
- COLOR: BLACK

| PART NO | A    | B    | PACKAGE |
|---------|------|------|---------|
| DHD-01  | 12.8 | 12.0 | 500     |

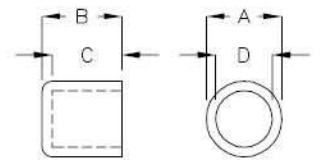


### 防塵蓋 DUST COVER

### 13-66-3

- COLOR: NATURAL, BLACK

| PART NO | MATERIAL | A     | B   | C   | D     | PACKAGE |
|---------|----------|-------|-----|-----|-------|---------|
| HC-5    | N66      | ø8.0  | 5.2 | 4.7 | ø6.5  | 2000    |
| HC-5S   | N66      | ø8.0  | 3.0 | 2.6 | ø6.5  |         |
| HC-6    | TPE      | ø8.0  | 8.5 | 7.4 | ø6.0  | 1000    |
| HC-6DP  | TPE      | ø8.0  | 5.4 | 4.3 | ø6.0  |         |
| HC-8    | N66      | ø10.7 | 8.2 | 6.8 | ø8.0  |         |
| HC-9    | TPE      | ø11.0 | 9.7 | 8.7 | ø9.0  |         |
| HC-10   | N66      | ø12.0 | 9.2 | 8.0 | ø10.0 |         |

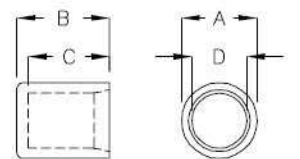


### 防塵蓋 DUST COVER

### 13-66-4

- MATERIAL: SILICONE
- COLOR: BLACK

| PART NO | A    | B    | B'   | D    | PACKAGE |
|---------|------|------|------|------|---------|
| VCK-5A  | ø6.6 | 8.1  | 7.1  | ø4.8 | 2000    |
| VCK-7K  | ø7.7 | 12.0 | 11.5 | ø6.7 | 1000    |
| VCK-8D  | ø9.6 | 12.0 | 11.5 | ø8.6 |         |

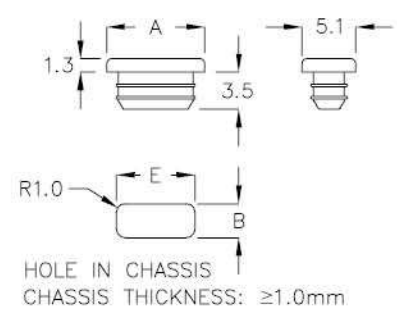




**K-LOCK 防塵蓋 K-LOCK COVER** | 13-67-1 |

- MATERIAL: TPE
- COLOR: BLACK

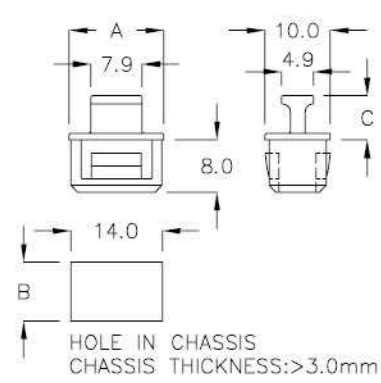
| PART NO | A   | B   | E   | PACKAGE |
|---------|-----|-----|-----|---------|
| NEF-9DL | 9.3 | 3.2 | 7.4 | 2000    |
| NEF-9WS | 9.3 | 3.0 | 7.0 |         |



**SFP 防塵蓋 SFP CONNECTOR COVER** | 13-67-2 |

- MATERIAL: PE
- COLOR: BLACK

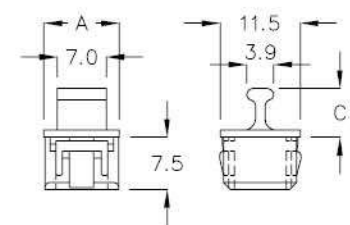
| PART NO | A    | B   | C   | PACKAGE |
|---------|------|-----|-----|---------|
| NEP-01  | 14.5 | 9.0 | 6.9 | 500     |
| NEP-1QM | 14.0 | 8.9 | 6.8 |         |



**MINI SAS 防塵蓋 MINI SAS CONNECTOR COVER** | 13-67-3 |

- MATERIAL: NYLON 66(UL)
- FLAME CLASS: 94V-2
- COLOR: BLACK

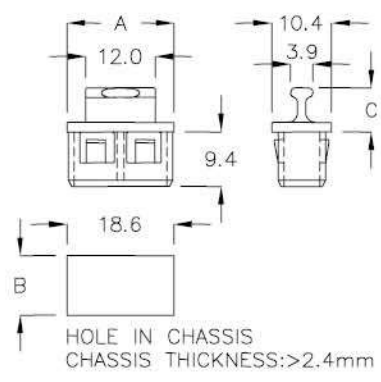
| PART NO | A     | C   | PACKAGE |
|---------|-------|-----|---------|
| NSA-10C | 10.85 | 7.0 | 500     |

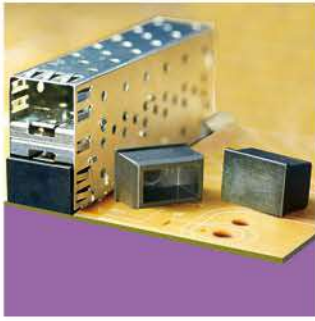


**QSFP 防塵蓋 QSFP CONNECTOR COVER** | 13-67-4 |

- MATERIAL: NYLON 66(UL)
- FLAME CLASS: 94V-2
- COLOR: BLACK

| PART NO  | A    | B    | C   | PACKAGE |
|----------|------|------|-----|---------|
| NEC-18   | 18.6 | 8.85 | 7.6 | 500     |
| NEC-18GD | 18.6 | 8.35 | 7.6 |         |

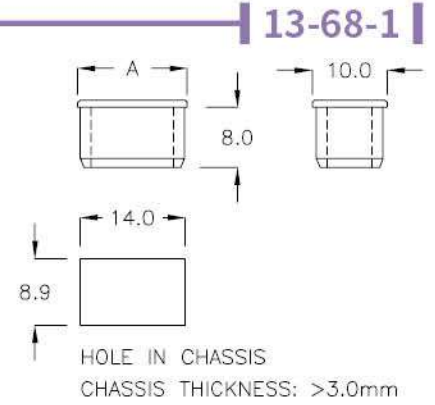




### SFP 防塵蓋 SFP CONNECTOR COVER

- MATERIAL: PE
- COLOR: BLACK

| PART NO | A    | PACKAGE |
|---------|------|---------|
| NEK-14  | 14.6 | 500     |



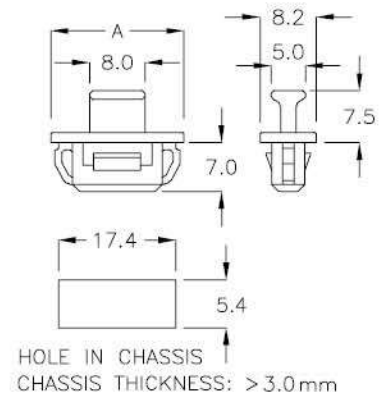
13-68-1



### MINI SII 插頭蓋 MINI SII COVER

- MATERIAL: PE
- COLOR: BLACK

| PART NO | A    | PACKAGE |
|---------|------|---------|
| NEY-01  | 19.2 | 500     |



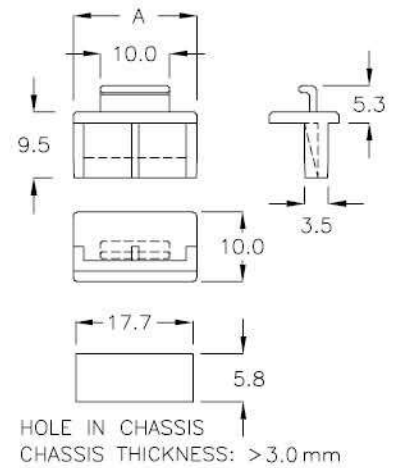
13-68-2



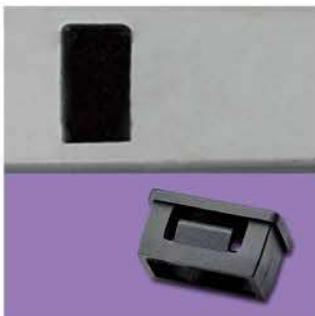
### MINI SII 插頭蓋 MINI SII COVER

- MATERIAL: PP
- COLOR: BLACK

| PART NO | A    | PACKAGE |
|---------|------|---------|
| NEY-2A  | 17.8 | 500     |



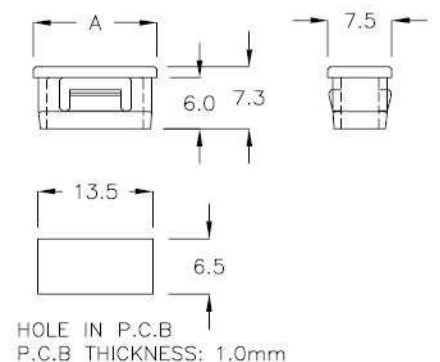
13-68-3



### 防塵蓋 DUST COVER

- MATERIAL: NYLON 66(UL)
- FLAME CLASS: 94V-2
- COLOR: BLACK

| PART NO  | A    | PACKAGE |
|----------|------|---------|
| HBC-14CK | 14.5 | 1000    |



13-68-4

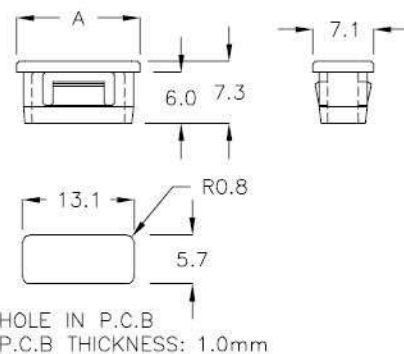




## 防塵蓋 DUST COVER 13-69-1

- MATERIAL: NYLON 66(UL)
- FLAME CLASS: 94V-2
- COLOR: BLACK

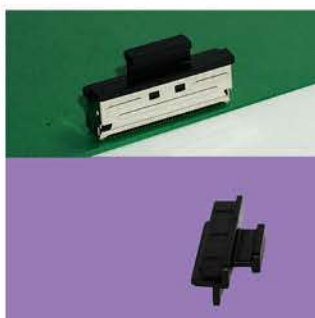
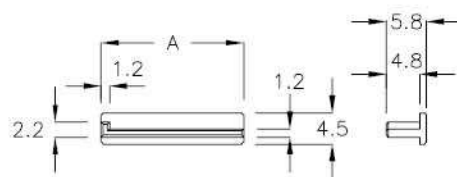
| PART NO  | A    | PACKAGE |
|----------|------|---------|
| HBC-14FM | 14.5 | 1000    |



## 防塵蓋 POWER CONNECTOR COVER 13-69-2

- MATERIAL: NYLON 66(UL)
- FLAME CLASS: 94V-2
- COLOR: BLACK

| PART NO | A    | PACKAGE |
|---------|------|---------|
| HBF-01  | 20.5 | 1000    |

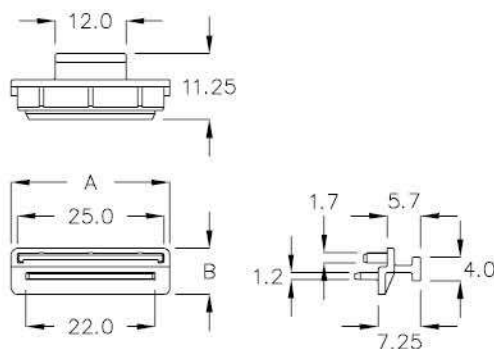


## MCIO 防塵蓋 MCIO CONNECTOR COVER 13-69-3

- MATERIAL: ABS+PC
- COLOR: BLACK

**NEW**

| PART NO   | A    | B   | PACKAGE |
|-----------|------|-----|---------|
| ★ HCKA-27 | 27.0 | 7.8 | 500     |

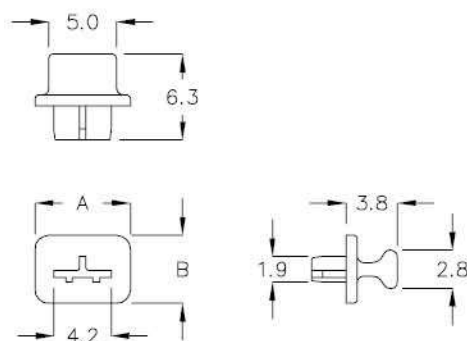


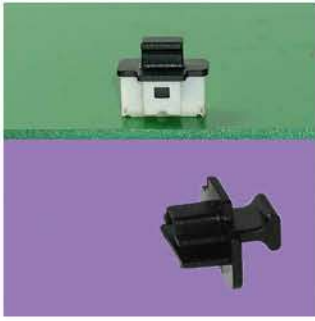
## 防塵蓋 DUST COVER 13-69-4

- MATERIAL: ABS+PC
- COLOR: BLACK

**NEW**

| PART NO   | A   | B   | PACKAGE |
|-----------|-----|-----|---------|
| ★ HCKB-4A | 7.0 | 5.0 | 500     |





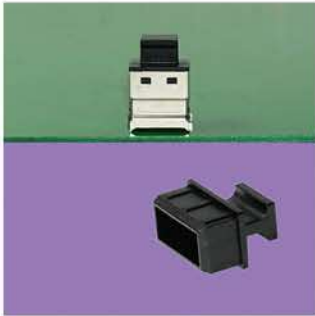
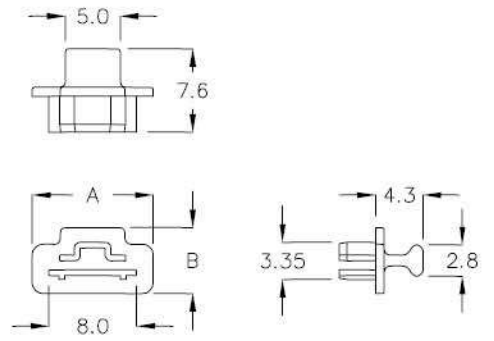
防塵蓋 DUST COVER

13-70-1

- MATERIAL: ABS+PC
- COLOR: BLACK

NEW

| PART NO   | A    | B   | PACKAGE |
|-----------|------|-----|---------|
| ★ HCKC-8A | 11.0 | 6.0 | 500     |



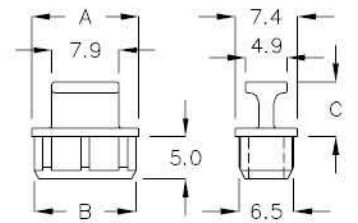
SLIM SAS X4 防塵蓋  
SLIM SAS X4 CONNECTOR COVER

13-70-2

- MATERIAL: ABS+PC
- COLOR: BLACK

NEW

| PART NO   | A    | B    | C   | PACKAGE |
|-----------|------|------|-----|---------|
| ★ HCKF-12 | 12.7 | 12.0 | 6.5 | 500     |

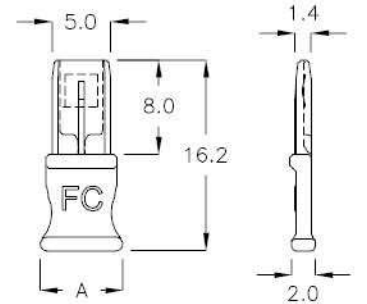


防塵蓋 DUST COVER

13-70-3

- MATERIAL: NYLON 66(UL)
- FLAME CLASS: 94V-2
- COLOR: BLACK

| PART NO | A   | PACKAGE |
|---------|-----|---------|
| HCL-5M  | 7.0 | 1000    |

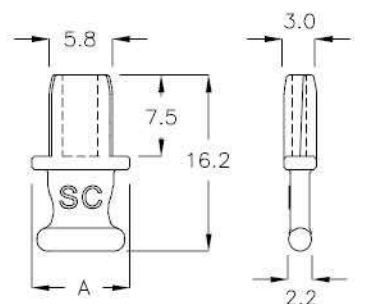


防塵蓋 DUST COVER

13-70-4

- MATERIAL: TPE
- COLOR: BLACK

| PART NO | A   | PACKAGE |
|---------|-----|---------|
| HCW-6T  | 9.0 | 1000    |

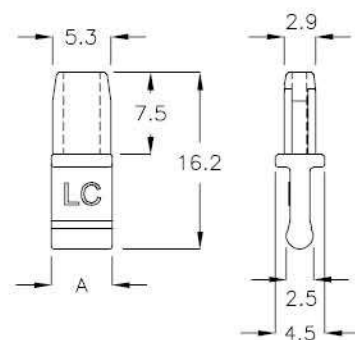




### 防塵蓋 DUST COVER 13-71-1

- MATERIAL: TPE
- COLOR: BLACK

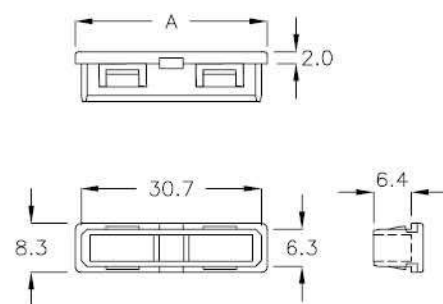
| PART NO | A   | PACKAGE |
|---------|-----|---------|
| HCZ-5A  | 5.6 | 1000    |



### 防塵蓋 DUST COVER 13-71-2

- MATERIAL: PE
- COLOR: BLACK

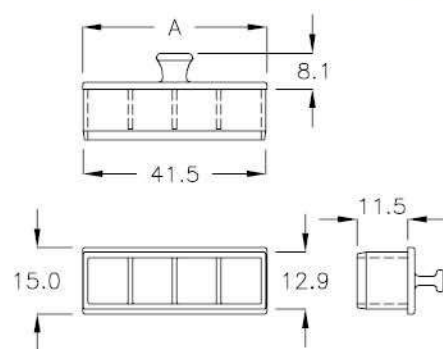
| PART NO | A    | PACKAGE |
|---------|------|---------|
| NER-30A | 32.5 | 500     |



### 防塵蓋 DUST COVER 13-71-3

- MATERIAL: NYLON 66(UL)
- FLAME CLASS: 94V-2
- COLOR: BLACK

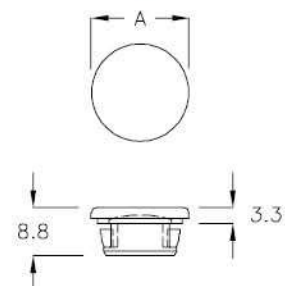
| PART NO | A    | PACKAGE |
|---------|------|---------|
| CFP-41A | 41.7 | 200     |



### 防塵蓋 DUST COVER 13-71-4

- MATERIAL: NYLON 66(UL)
- FLAME CLASS: 94V-2
- COLOR: NATURAL

| PART NO | A     | PACKAGE |
|---------|-------|---------|
| HBA-01  | ∅18.0 | 1000    |



HOLE IN CHASSIS: ∅13.5  
CHASSIS THICKNESS: >2.0mm

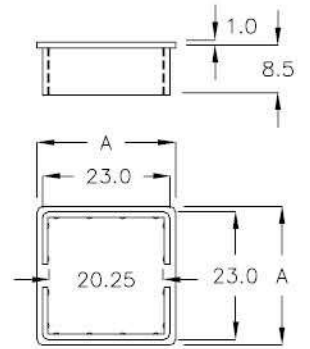


### 防塵蓋 DUST COVER

13-72-1

- MATERIAL: NYLON 66(UL)
- FLAME CLASS: 94V-2
- COLOR: NATURAL

| PART NO | A    | PACKAGE |
|---------|------|---------|
| HKA-20A | 25.0 | 200     |

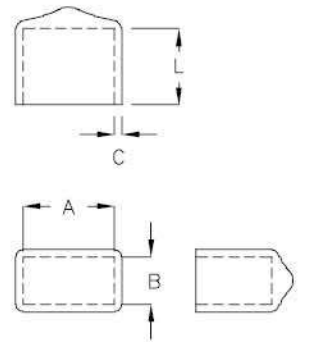


### 防塵蓋 VCP CAP

13-72-2

- MATERIAL: PVC
- COLOR: BLACK

| PART NO | A    | B   | L    | C   | PACKAGE |
|---------|------|-----|------|-----|---------|
| VCQ-7A  | 7.4  | 9.0 | 12.8 | 1.0 | 1000    |
| VCQ-08  | 8.3  | 1.0 | 8.0  | 0.8 | 2000    |
| VCQ-9A  | 9.6  | 4.5 | 16.0 | 1.2 | 1000    |
| VCQ-10  | 10.1 | 1.0 | 7.0  | 1.0 |         |
| VCQ-12  | 12.0 | 4.7 | 10.0 | 1.0 |         |

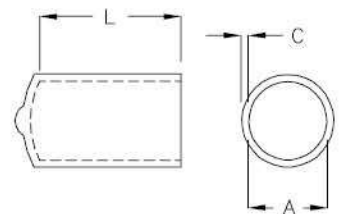


### 防塵蓋 VCP CAP

13-72-3

- MATERIAL: PVC
- COLOR: BLACK, RED, WHITE, BLUE, YELLOW, GREEN
- UL STANDARD ALSO AVAILABLE

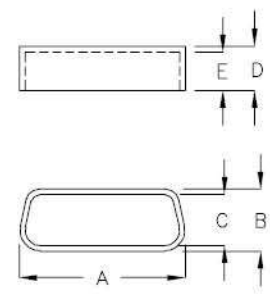
| PART NO  | A    | L    | C   | PACKAGE |
|----------|------|------|-----|---------|
| VCP-3.2  | 3.2  | 13.0 | 0.8 | 2000    |
| VCP-4.0  | 4.0  | 8.0  | 0.8 | 1000    |
| VCP-4.8  | 4.8  | 13.0 | 0.8 |         |
| VCP-5.7  | 5.7  | 13.0 | 1.0 |         |
| VCP-6.5  | 6.5  | 13.0 | 1.0 |         |
| VCP-7.6  | 7.6  | 8.0  | 1.0 |         |
| VCP-8.0  | 8.0  | 10.0 | 1.0 |         |
| VCP-9.5  | 9.4  | 16.0 | 1.0 |         |
| VCP-9.5A | 9.5  | 13.0 | 1.0 |         |
| VCP-11   | 11.4 | 20.0 | 1.2 | 500     |
| VCP-12   | 12.0 | 16.0 | 1.2 |         |
| VCP-14   | 14.0 | 35.0 | 1.2 |         |
| VCP-18   | 18.0 | 13.0 | 1.2 |         |
| VCP-18C  | 18.0 | 18.0 | 1.2 |         |





插頭蓋 HOUSING COVER | 13-73-1 |

- MATERIAL: PP
- COLOR: NATURAL

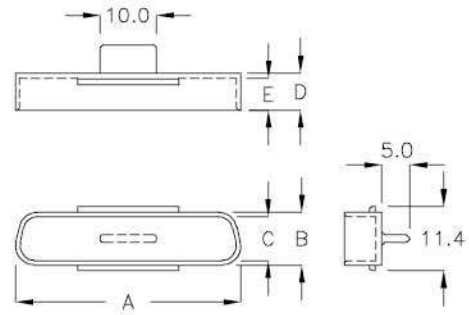


| PART NO | A    | B    | C    | D   | E   | SUITABLE SOCKET | PACKAGE |
|---------|------|------|------|-----|-----|-----------------|---------|
| HC-0    | 18.1 | 9.2  | 7.85 | 6.5 | 5.7 | 9 PIN FEMALE    | 500     |
| HC-1    | 26.0 | 9.2  | 7.85 | 6.5 | 5.7 | 15 PIN FEMALE   |         |
| HC-2    | 20.0 | 11.0 | 9.2  | 7.2 | 6.1 | 9 PIN MALE      |         |
| HC-15   | 39.8 | 9.2  | 7.85 | 6.5 | 5.7 | 25 PIN FEMALE   |         |
| HC-16   | 42.0 | 10.9 | 9.1  | 7.3 | 6.3 | 25 PIN MALE     | 200     |



插頭蓋 HOUSING COVER | 13-73-2 |

- MATERIAL: NYLON 66(UL)
- FLAME CLASS: 94V-2
- COLOR: BLACK

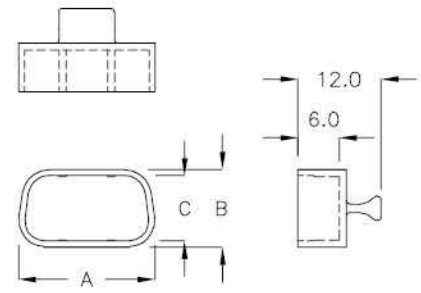


| PART NO | A     | B   | C    | D   | E   | SUITABLE SOCKET | PACKAGE |
|---------|-------|-----|------|-----|-----|-----------------|---------|
| HC-15QC | 40.05 | 9.4 | 7.75 | 6.6 | 5.6 | 25 PIN FEMALE   | 500     |



插頭蓋 HOUSING COVER | 13-73-3 |

- MATERIAL: NYLON 66(UL)
- FLAME CLASS: 94V-2
- COLOR: BLACK



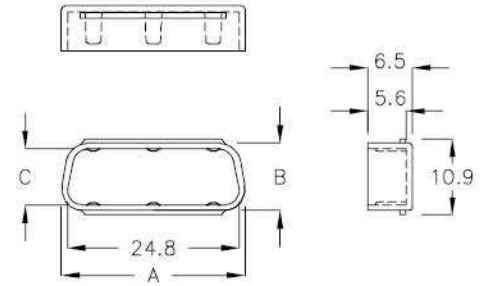
| PART NO | A    | B    | C   | SUITABLE SOCKET | PACKAGE |
|---------|------|------|-----|-----------------|---------|
| HCM-19J | 19.6 | 11.1 | 9.4 | 9 PIN MALE      | 500     |



插頭蓋 HOUSING COVER

13-74-1

- MATERIAL: NYLON 66(UL)
- FLAME CLASS: 94V-2
- COLOR: NATURAL



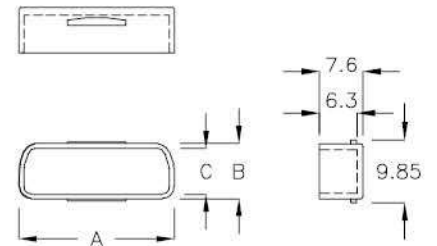
| PART NO | A    | B   | C   | SUITABLE SOCKET | PACKAGE |
|---------|------|-----|-----|-----------------|---------|
| HC-1A   | 26.5 | 9.7 | 8.1 | 15 PIN FEMALE   | 500     |



DVI 防塵蓋 DVI COVER

13-74-2

- MATERIAL: PE
- COLOR: NATURAL



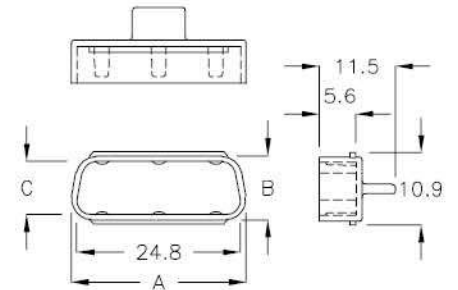
| PART NO | A     | B    | C    | PACKAGE |
|---------|-------|------|------|---------|
| HC-1PZ  | 25.85 | 9.25 | 7.65 | 500     |



插頭蓋 HOUSING COVER

13-74-3

- MATERIAL: NYLON 66(UL)
- FLAME CLASS: 94V-2
- COLOR: BLACK



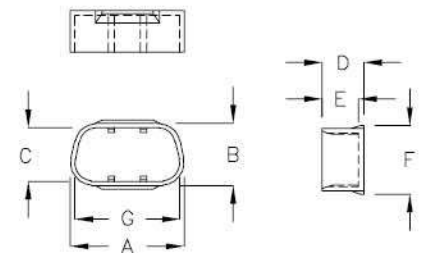
| PART NO | A    | B   | C   | SUITABLE SOCKET | PACKAGE |
|---------|------|-----|-----|-----------------|---------|
| HCM-26F | 26.5 | 9.7 | 8.1 | 15 PIN FEMALE   | 500     |



插頭蓋 HOUSING COVER

13-74-4

- MATERIAL: NYLON 66(UL)
- FLAME CLASS: 94V-2
- COLOR: BLACK

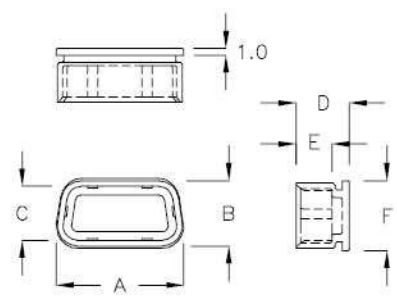


| PART NO | A    | B    | C   | D   | E   | F    | G    | SUITABLE SOCKET | PACKAGE |
|---------|------|------|-----|-----|-----|------|------|-----------------|---------|
| HC-02A  | 17.8 | 9.7  | 8.3 | 6.5 | 5.7 | 10.7 | 16.4 | 9 PIN FEMALE    | 500     |
| HC-02C  | 18.4 | 10.0 | 8.0 | 6.1 | 5.0 | 11.2 | 16.4 | 9 PIN FEMALE    |         |
| HC-2FH  | 19.6 | 11.1 | 9.3 | 7.0 | 6.0 | 12.5 | 17.8 | 9 PIN MALE      |         |



插頭蓋 HOUSING COVER | 13-75-1 |

- MATERIAL: PE
- COLOR: NATURAL

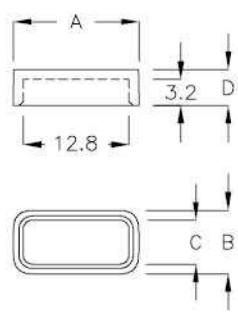


| PART NO | A    | B   | C   | D   | E   | F    | SUITABLE SOCKET | PACKAGE |
|---------|------|-----|-----|-----|-----|------|-----------------|---------|
| HC-2RF  | 18.0 | 9.4 | 7.8 | 7.7 | 5.2 | 10.1 | 9 PIN FEMALE    | 500     |



插頭蓋 HOUSING COVER | 13-75-2 |

- MATERIAL: PP
- COLOR: NATURAL

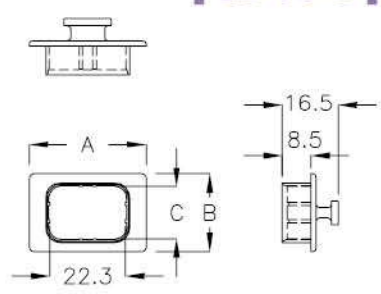


| PART NO | A    | B   | C   | D   | PACKAGE |
|---------|------|-----|-----|-----|---------|
| HC-12A  | 15.2 | 7.6 | 5.3 | 4.3 | 500     |



PDU-C14 防塵蓋  
PDU-C14 CONNECTOR COVER | 13-75-3 |

- MATERIAL: PE
- COLOR: BLACK

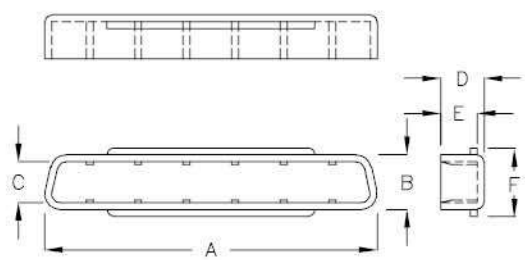


| PART NO | A    | B    | C    | PACKAGE |
|---------|------|------|------|---------|
| HDZ-23C | 34.6 | 23.0 | 15.4 | 200     |



插頭蓋 HOUSING COVER | 13-75-4 |

- MATERIAL: NYLON 66(UL)
- FLAME CLASS: 94V-2
- COLOR: NATURAL



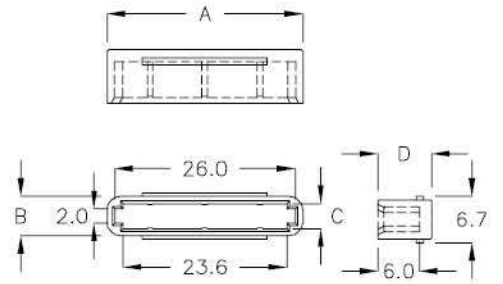
| PART NO | A    | B    | C   | D   | E   | F    | PACKAGE |
|---------|------|------|-----|-----|-----|------|---------|
| HC-17   | 48.0 | 7.9  | 5.9 | 6.3 | 5.3 | 9.9  | 200     |
| HC-18   | 58.0 | 10.4 | 8.4 | 6.8 | 5.8 | 12.4 |         |



### 防塵蓋 DUST COVER

13-76-1

- MATERIAL: NYLON 66(UL)
- FLAME CLASS: 94V-2
- COLOR: BLACK



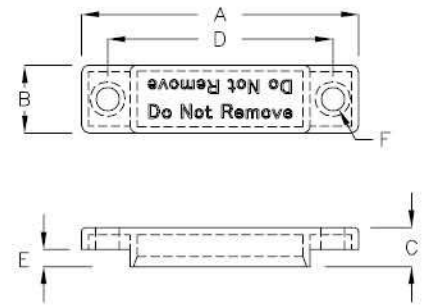
| PART NO | A    | B   | C   | D   | PACKAGE |
|---------|------|-----|-----|-----|---------|
| HC-28   | 28.2 | 5.7 | 3.6 | 7.7 | 500     |



### DVI 防塵蓋 DVI COVER

13-76-2

- MATERIAL: ABS(UL)
- FLAME CLASS: 94HB
- COLOR: BLACK



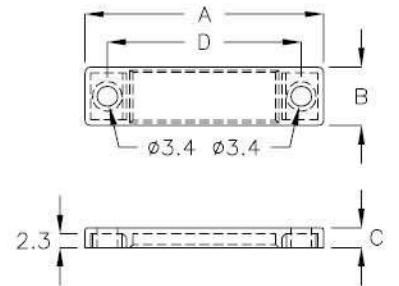
| PART NO | A    | B   | C   | D    | E   | F    | PACKAGE |
|---------|------|-----|-----|------|-----|------|---------|
| HC-24   | 40.1 | 9.8 | 5.7 | 32.6 | 2.5 | ø3.4 | 500     |



### DVI 防塵蓋 DVI COVER

13-76-3

- MATERIAL: ABS(UL)
- FLAME CLASS: 94HB
- COLOR: BLACK



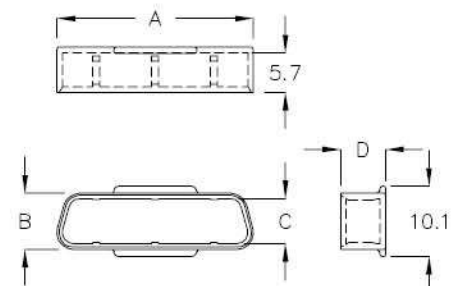
| PART NO | A    | B   | C   | D    | PACKAGE |
|---------|------|-----|-----|------|---------|
| HC-24A  | 40.0 | 9.8 | 3.3 | 32.5 | 500     |



### MDR 防塵蓋 MDR DUST COVER

13-76-4

- MATERIAL: NYLON 66(UL)
- FLAME CLASS: 94V-2
- COLOR: BLACK



| PART NO | A    | B   | C   | D   | PACKAGE |
|---------|------|-----|-----|-----|---------|
| HC-28DX | 28.4 | 8.1 | 6.5 | 6.5 | 500     |

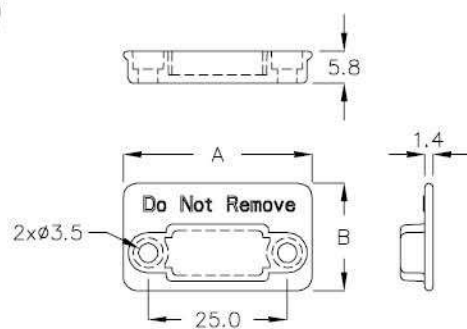




### VGA 插頭蓋 VGA COVER 13-77-1

- MATERIAL: ABS(UL), NYLON 66(UL)
- FLAME CLASS: 94HB, 94V-0
- COLOR: BLACK

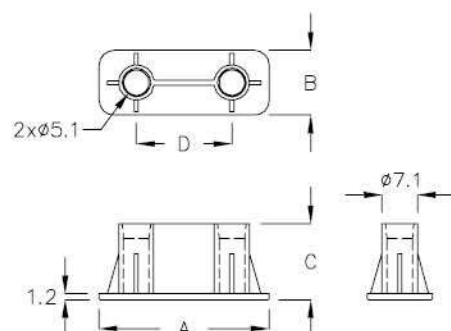
| PART NO  | MATERIAL | A    | B    | PACKAGE |
|----------|----------|------|------|---------|
| HDD-2A   | ABS HB   | 34.0 | 19.3 | 200     |
| ★ HDE-2A | N66 V0   | 34.0 | 13.5 |         |



### PLUG 防塵蓋 PLUG DUST COVER 13-77-2

- MATERIAL: PE
- COLOR: BLACK

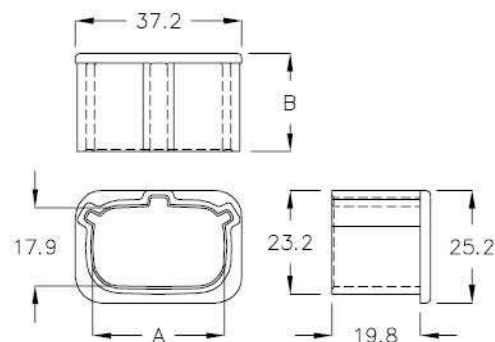
| PART NO | A    | B    | C    | D    | PACKAGE |
|---------|------|------|------|------|---------|
| HDK-34  | 34.0 | 13.0 | 15.2 | 19.1 | 500     |



### 防塵蓋 DUST COVER 13-77-3

- MATERIAL: PP(UL)
- COLOR: NATURAL

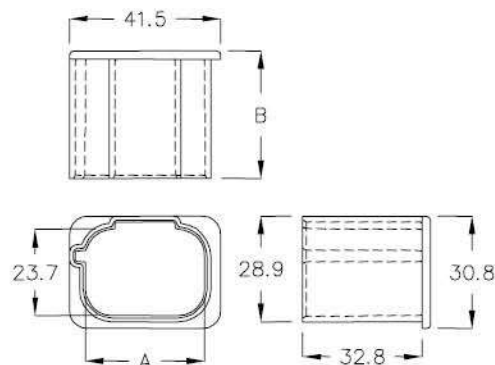
| PART NO   | A    | B    | PACKAGE |
|-----------|------|------|---------|
| HCWT-37KF | 29.4 | 22.0 | 200     |



### 防塵蓋 DUST COVER 13-77-4

- MATERIAL: PP(UL)
- COLOR: NATURAL

| PART NO   | A    | B    | PACKAGE |
|-----------|------|------|---------|
| HCWT-41BQ | 32.7 | 35.0 | 100     |



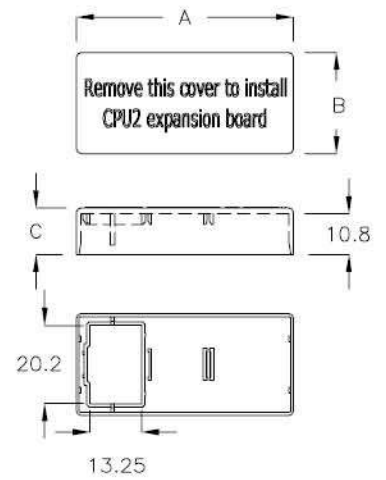


### QPI 防塵蓋 QPI DUST COVER

**13-78-1**

- MATERIAL: NYLON 66(UL)
- FLAME CLASS: 94V-2
- COLOR: BLACK

| PART NO | A    | B    | C    | PACKAGE |
|---------|------|------|------|---------|
| QPI-57A | 57.1 | 26.6 | 12.3 | 500     |

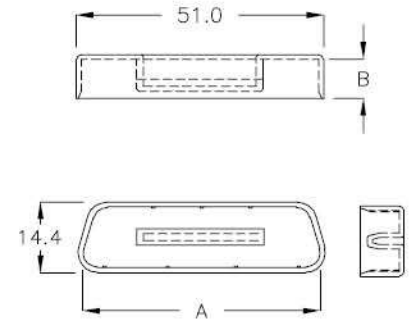


### 插頭蓋 HOUSING COVER

**13-78-2**

- MATERIAL: PP
- COLOR: NATURAL

| PART NO | A    | B   | PACKAGE |
|---------|------|-----|---------|
| HC-049  | 49.0 | 8.0 | 200     |

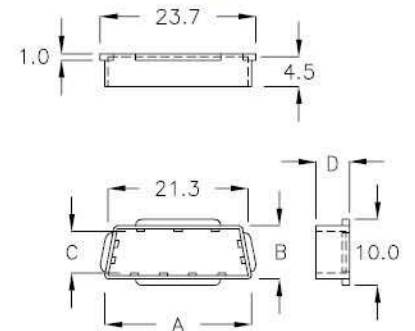


### 插頭蓋 HOUSING COVER

**13-78-3**

- MATERIAL: NYLON 66(UL)
- FLAME CLASS: 94V-2
- COLOR: BLACK

| PART NO | A    | B   | C   | D   | PACKAGE |
|---------|------|-----|-----|-----|---------|
| HC-51   | 22.3 | 8.1 | 6.2 | 5.0 | 500     |

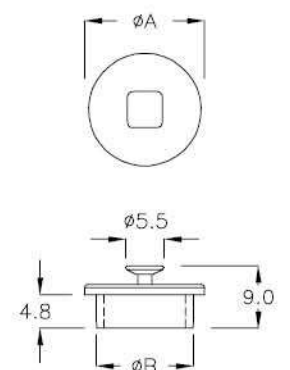


### 插頭蓋 HOUSING COVER

**13-78-4**

- MATERIAL: PE
- COLOR: BLACK

| PART NO | A    | B    | PACKAGE |
|---------|------|------|---------|
| HC-5C   | 17.3 | 14.0 | 2000    |

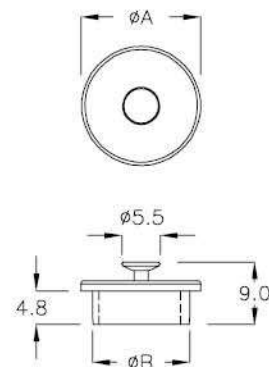




## 插頭蓋 HOUSING COVER | 13-79-1 |

- MATERIAL: PE
- COLOR: BLACK

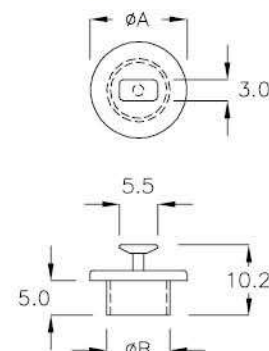
| PART NO | A    | B   | PACKAGE |
|---------|------|-----|---------|
| HC-5D   | 12.0 | 9.9 | 2000    |



## 插頭蓋 PS-2 COVER | 13-79-2 |

- MATERIAL: PP(UL)
- COLOR: BLACK

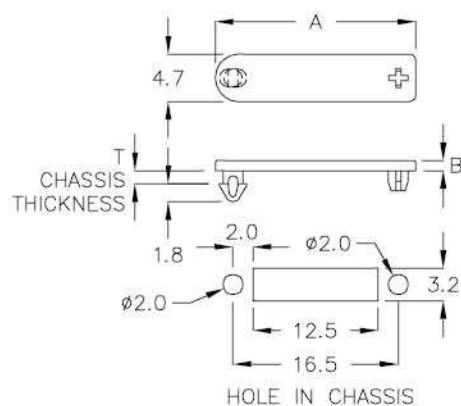
| PART NO | A    | B   | PACKAGE |
|---------|------|-----|---------|
| HC-5A   | 14.0 | 9.1 | 2000    |



## 防塵蓋 DUST COVER | 13-79-3 |

- MATERIAL: NYLON 66(UL)
- FLAME CLASS: 94V-2
- COLOR: NATURAL

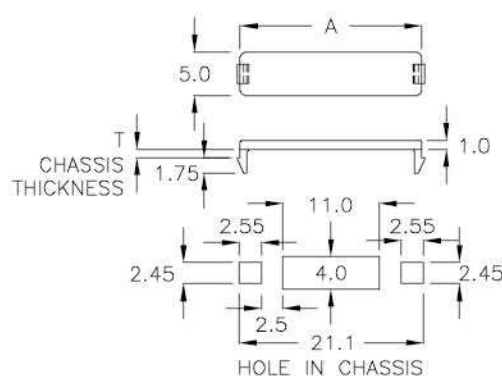
| PART NO  | A    | B   | T<br>CHASSIS<br>THICKNESS | PACKAGE |
|----------|------|-----|---------------------------|---------|
| HCR-20   | 20.0 | 1.0 | 0.8                       | 2000    |
| HCR-20CL | 20.0 | 0.8 | 1.0                       |         |



## 保護蓋 HOLE PROTECT COVER | 13-79-4 |

- MATERIAL: NYLON 66(UL)
- FLAME CLASS: 94V-2
- COLOR: BLACK

| PART NO | A    | T<br>CHASSIS<br>THICKNESS | PACKAGE |
|---------|------|---------------------------|---------|
| BHR-21A | 20.8 | 0.8                       | 1000    |

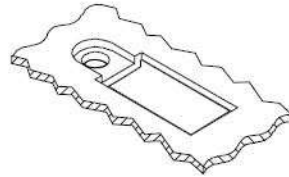




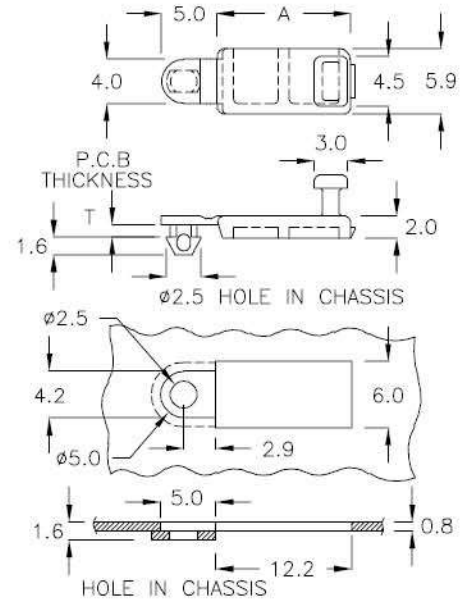
防塵蓋 DUST COVER

13-80-1

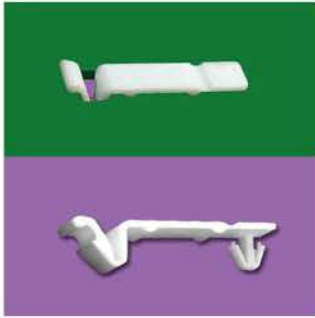
- MATERIAL: TPR(UL)
- FLAME CLASS: 94V-0
- COLOR: BLACK



HOLE IN CHASSIS



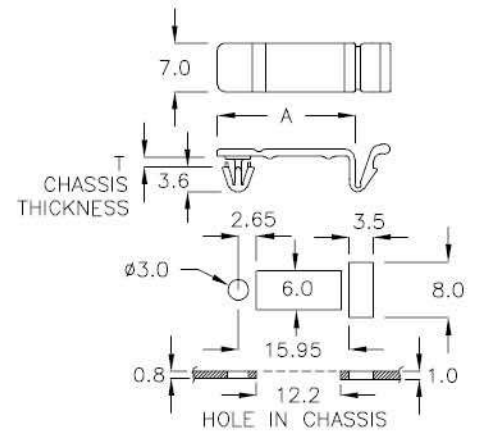
| PART NO | A    | T<br>P.C.B<br>THICKNESS | PACKAGE |
|---------|------|-------------------------|---------|
| HCD-01  | 12.0 | 0.8                     | 1000    |



防塵蓋 DUST COVER

13-80-2

- MATERIAL: NYLON 66(UL)
- FLAME CLASS: 94V-2
- COLOR: NATURAL



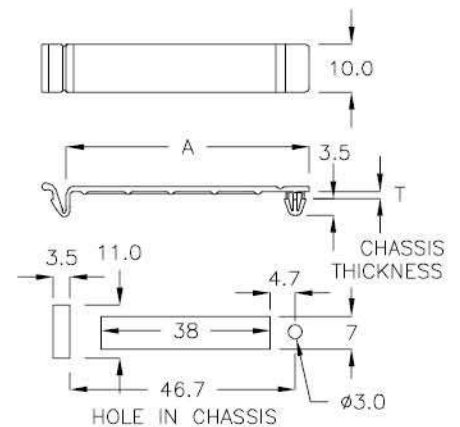
| PART NO | A    | T<br>CHASSIS<br>THICKNESS | PACKAGE |
|---------|------|---------------------------|---------|
| HCP-24D | 19.8 | 0.8                       | 1000    |



固定座 MOUNT

13-80-3

- MATERIAL: NYLON 66(UL)
- FLAME CLASS: 94V-2
- COLOR: BLACK



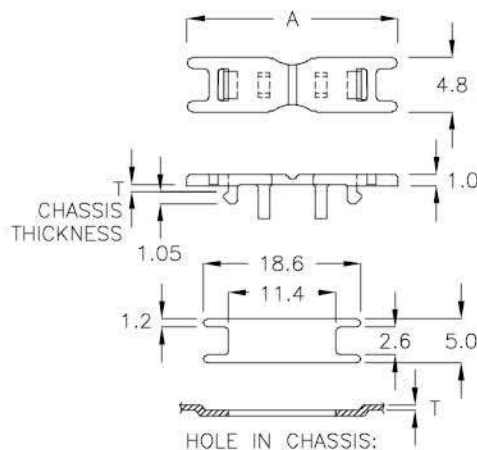
| PART NO | A    | T<br>CHASSIS<br>THICKNESS | PACKAGE |
|---------|------|---------------------------|---------|
| HCP-55F | 50.5 | 0.8                       | 200     |



### 防塵蓋 DUST COVER 13-81-1

- MATERIAL: NYLON 66(UL)
- FLAME CLASS: 94V-2
- COLOR: BLACK

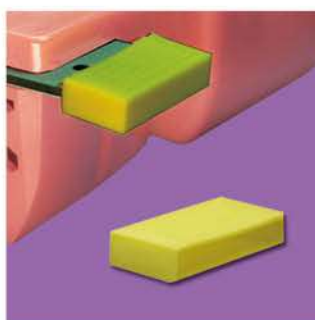
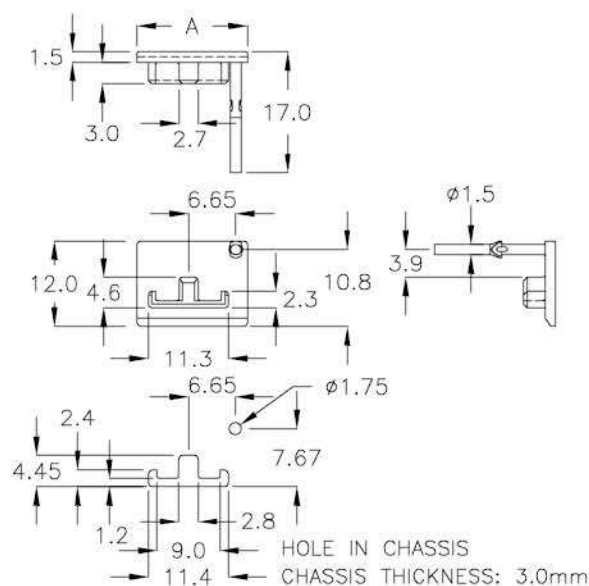
| PART NO | A    | T<br>CHASSIS<br>THICKNESS | PACKAGE |
|---------|------|---------------------------|---------|
| HCR-18K | 18.4 | 0.8                       | 2000    |



### 防塵蓋 DUST COVER 13-81-2

- MATERIAL: TPE
- COLOR: GRAY

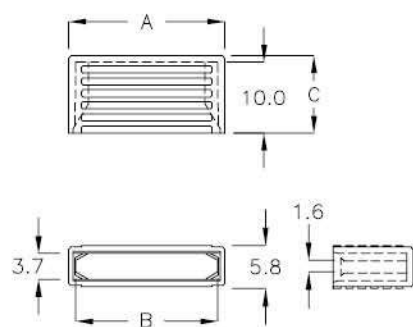
| PART NO | A    | PACKAGE |
|---------|------|---------|
| HCX-15A | 15.5 | 1000    |



### 防塵蓋 DUST COVER 13-81-3

- MATERIAL: PE
- COLOR: YELLOW

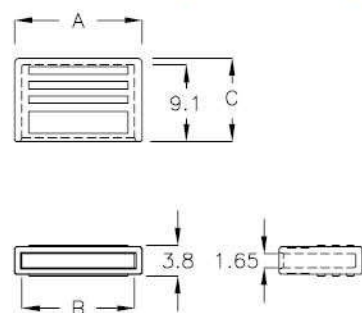
| PART NO | A    | B    | C    | PACKAGE |
|---------|------|------|------|---------|
| HCS-22  | 22.0 | 20.0 | 10.9 | 1000    |



### 防塵蓋 DUST COVER 13-81-4

- MATERIAL: PE
- COLOR: NATURAL

| PART NO  | A    | B    | C    | PACKAGE |
|----------|------|------|------|---------|
| HCS-15KN | 15.3 | 13.5 | 10.0 | 1000    |



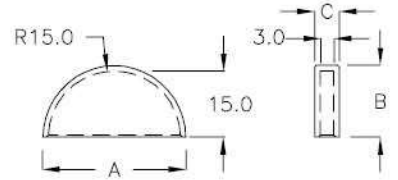


保護蓋 PROTECT COVER

13-82-1

- MATERIAL: PE
- COLOR: BLACK

| PART NO | A    | B    | C   | PACKAGE |
|---------|------|------|-----|---------|
| HDT-30  | 32.6 | 16.3 | 5.6 | 200     |

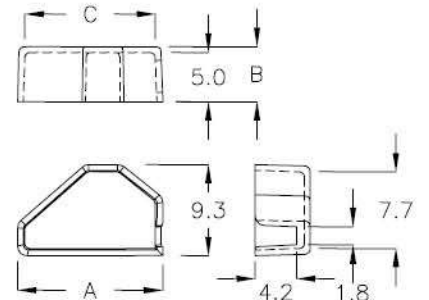


保護罩 INSULATION CAP

13-82-2

- MATERIAL: NYLON 66(UL)
- FLAME CLASS: 94V-0
- COLOR: BLACK

| PART NO | A    | B   | C    | PACKAGE |
|---------|------|-----|------|---------|
| HDQ-5C  | 14.8 | 5.6 | 13.3 | 1000    |



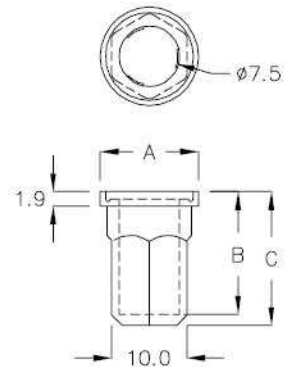
保護蓋 PROTECT COVER

13-82-3

- MATERIAL: NYLON 66(UL)
- FLAME CLASS: 94V-0
- COLOR: BLACK

**NEW**

| PART NO    | A     | B    | C    | PACKAGE |
|------------|-------|------|------|---------|
| ★ HDTC-17K | ∅13.0 | 16.7 | 17.7 | 200     |

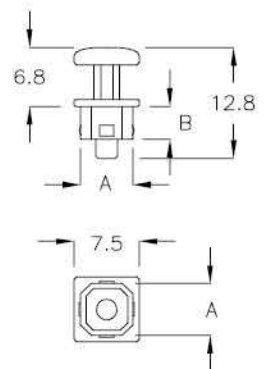


光纖插頭蓋 TRANSPORTER COVER

13-82-4

- MATERIAL: NYLON 66(UL)
- FLAME CLASS: 94V-2
- COLOR: BLACK

| PART NO | A   | B   | PACKAGE |
|---------|-----|-----|---------|
| HF-01   | 6.0 | 3.8 | 500     |

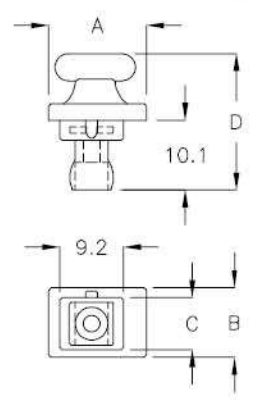




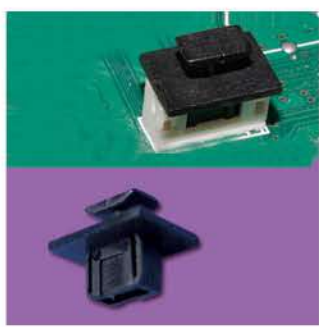
光纖插頭蓋 TRANSPORTER COVER

13-83-1

- MATERIAL: TPE
- COLOR: BLACK



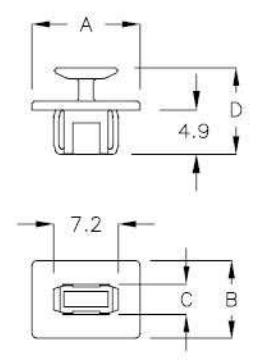
| PART NO | A    | B    | C   | D    | PACKAGE |
|---------|------|------|-----|------|---------|
| HFK-01  | 14.1 | 10.0 | 7.5 | 19.6 | 500     |



插頭蓋 COVER

13-83-2

- MATERIAL: NYLON 66(UL)
- FLAME CLASS: 94V-2
- COLOR: BLACK



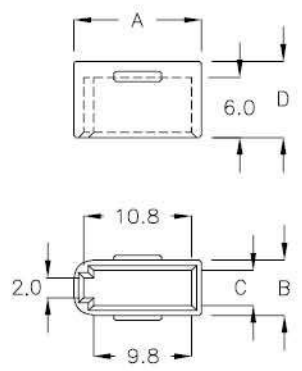
| PART NO | A    | B   | C   | D   | PACKAGE |
|---------|------|-----|-----|-----|---------|
| HCK-7A  | 12.0 | 8.6 | 3.3 | 9.6 | 500     |



插頭蓋 SATA DUST COVER

13-83-3

- MATERIAL: PE
- COLOR: NATURAL



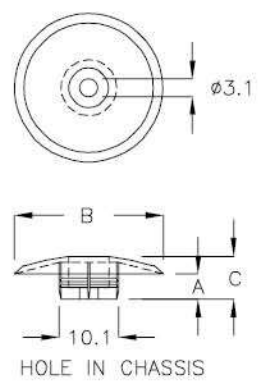
| PART NO | A    | B   | C   | D   | PACKAGE |
|---------|------|-----|-----|-----|---------|
| HTA-10A | 12.8 | 5.5 | 3.4 | 7.6 | 1000    |



固定座 MOUNT

13-83-4

- MATERIAL: NYLON 66(UL)
- FLAME CLASS: 94V-2
- COLOR: BLACK



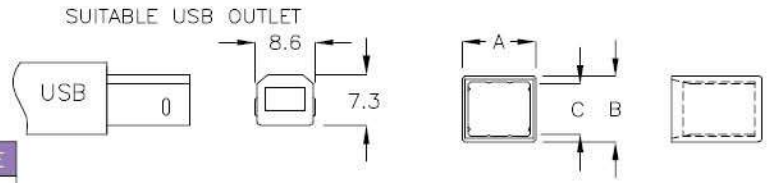
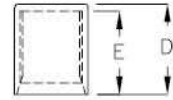
| PART NO | A   | φB   | C   | PACKAGE |
|---------|-----|------|-----|---------|
| PEB-01  | 4.3 | 25.3 | 7.3 | 1000    |



USB 插頭蓋 USB COVER

13-84-1

- MATERIAL: PP
- COLOR: NATURAL



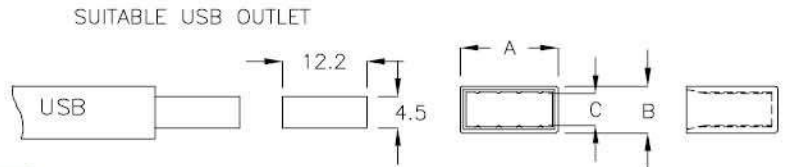
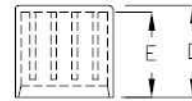
| PART NO | A    | B   | C    | D    | E    | PACKAGE |
|---------|------|-----|------|------|------|---------|
| USB-01  | 10.6 | 9.5 | 7.35 | 13.0 | 12.0 | 1000    |



USB 插頭蓋 USB COVER

13-84-2

- MATERIAL: PP
- COLOR: NATURAL



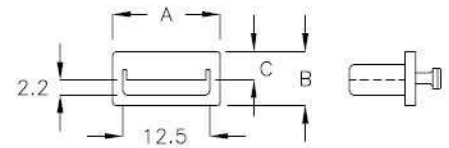
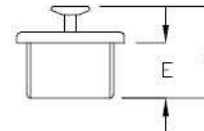
| PART NO | A     | B   | C    | D    | E    | PACKAGE |
|---------|-------|-----|------|------|------|---------|
| USB-02  | 14.15 | 6.8 | 4.55 | 13.2 | 12.2 | 1000    |



USB 插頭蓋 USB COVER

13-84-3

- MATERIAL: PP
- COLOR: BLACK



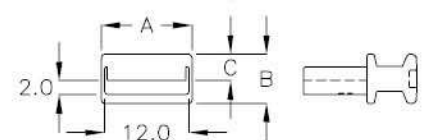
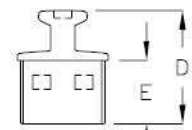
| PART NO | A    | B   | C   | D    | E   | PACKAGE |
|---------|------|-----|-----|------|-----|---------|
| USB-03  | 15.5 | 7.8 | 4.1 | 13.2 | 8.0 | 1000    |



USB 插頭蓋 USB COVER

13-84-4

- MATERIAL: ABS(UL)
- FLAME CLASS: 94HB
- COLOR: BLACK



| PART NO | A    | B   | C    | D    | E   | PACKAGE |
|---------|------|-----|------|------|-----|---------|
| USB-3GJ | 13.0 | 7.0 | 3.75 | 16.2 | 9.0 | 1000    |

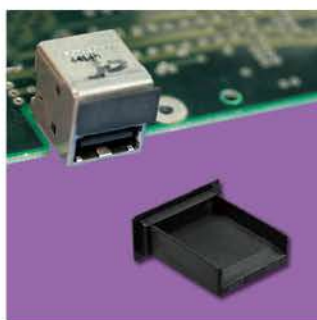
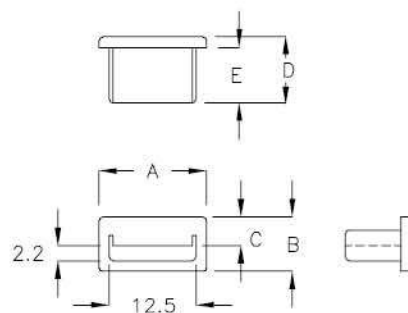




## USB 插頭蓋 USB COVER 13-85-1

- MATERIAL: PP
- COLOR: NATURAL, BLACK

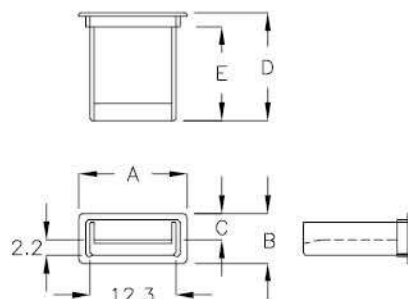
| PART NO | A    | B   | C   | D   | E   | PACKAGE |
|---------|------|-----|-----|-----|-----|---------|
| USB-3A  | 15.5 | 7.8 | 4.1 | 9.5 | 8.0 | 500     |



## USB 插頭蓋 USB COVER 13-85-2

- MATERIAL: PP
- COLOR: NATURAL, BLACK

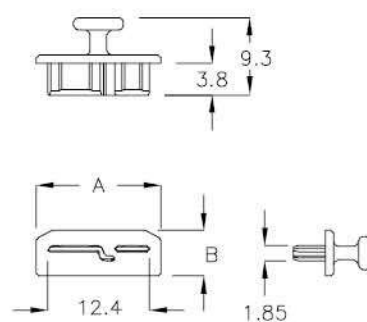
| PART NO | A    | B   | C    | D    | E    | PACKAGE |
|---------|------|-----|------|------|------|---------|
| USB-3FK | 15.6 | 7.2 | 3.85 | 15.5 | 13.5 | 500     |



## USB 3.0 插頭蓋 MICRO USB 3.0 COVER 13-85-3

- MATERIAL: NYLON 66(UL)
- FLAME CLASS: 94V-2
- COLOR: NATURAL, BLACK

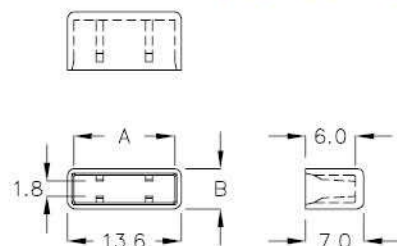
| PART NO | A    | B   | PACKAGE |
|---------|------|-----|---------|
| USB-3HQ | 15.0 | 5.5 | 500     |



## USB 3.0 插頭蓋 MICRO USB 3.0 COVER 13-85-4

- MATERIAL: NYLON 66(UL)
- FLAME CLASS: 94V-2
- COLOR: NATURAL

| PART NO | A    | B   | PACKAGE |
|---------|------|-----|---------|
| USB-3RT | 12.1 | 4.8 | 500     |



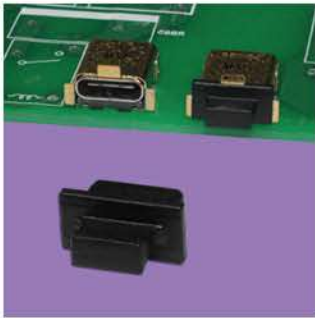
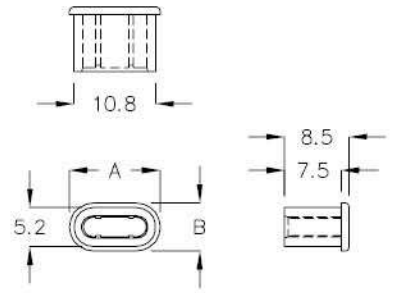


TYPE-C 插頭蓋 TYPE-C COVER

13-86-1

- MATERIAL: NYLON 66(UL)
- FLAME CLASS: 94V-2
- COLOR: NATURAL

| PART NO | A    | B   | PACKAGE |
|---------|------|-----|---------|
| USB-3WP | 12.0 | 6.4 | 500     |

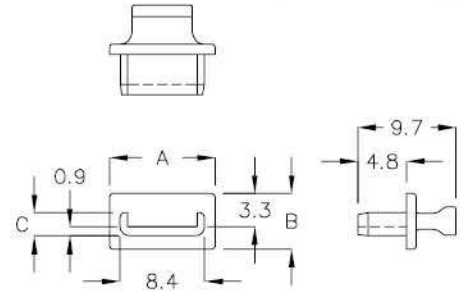


TYPE-C 插頭蓋 TYPE-C COVER

13-86-2

- MATERIAL: PE
- COLOR: BLACK

| PART NO | A    | B   | C   | PACKAGE |
|---------|------|-----|-----|---------|
| USB-3GT | 10.5 | 5.5 | 2.3 | 2000    |

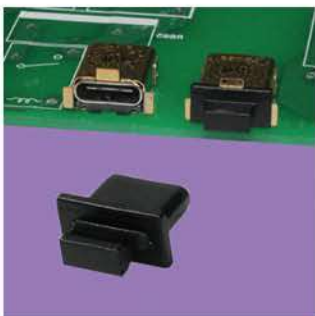
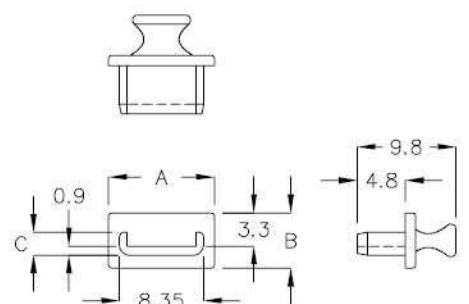


TYPE-C 插頭蓋 TYPE-C COVER

13-86-3

- MATERIAL: NYLON 66(UL)
- FLAME CLASS: 94V-0
- COLOR: BLACK

| PART NO | A    | B   | C   | PACKAGE |
|---------|------|-----|-----|---------|
| USB-3KN | 10.5 | 5.5 | 2.3 | 500     |



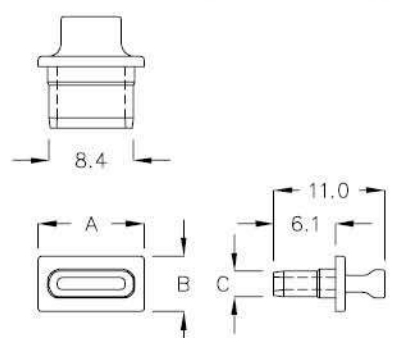
TYPE-C 插頭蓋 TYPE-C COVER

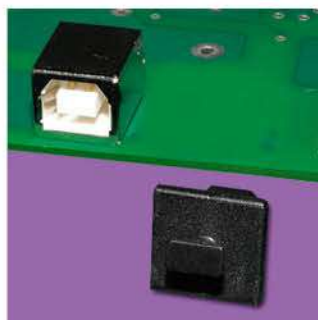
13-86-4

- MATERIAL: PE
- COLOR: BLACK

**NEW**

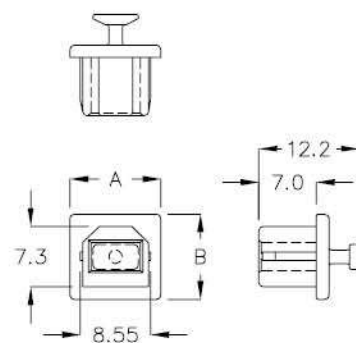
| PART NO   | A    | B   | C   | PACKAGE |
|-----------|------|-----|-----|---------|
| ★ USB-3QA | 10.5 | 5.5 | 2.5 | 2000    |



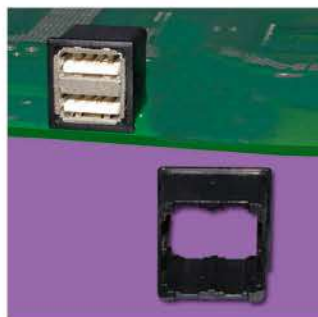


### USB1394 插頭蓋 USB COVER | 13-87-1 |

- MATERIAL: NYLON 66(UL)
- FLAME CLASS: 94V-2
- COLOR: BLACK

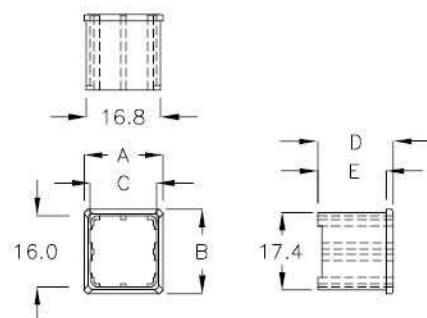


| PART NO | A    | B    | PACKAGE |
|---------|------|------|---------|
| USB-04  | 11.0 | 10.3 | 1000    |



### USB 插頭蓋 USB COVER | 13-87-2 |

- MATERIAL: ABS(UL)
- FLAME CLASS: 94V-0
- COLOR: BLACK

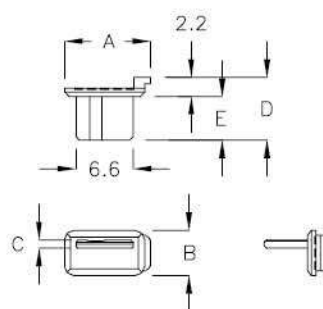


| PART NO | A    | B    | C    | D    | E    | PACKAGE |
|---------|------|------|------|------|------|---------|
| USB-05  | 17.8 | 19.0 | 15.0 | 17.0 | 15.5 | 500     |



### MINI USB 插頭蓋 USB COVER | 13-87-3 |

- MATERIAL: PE
- COLOR: BLACK

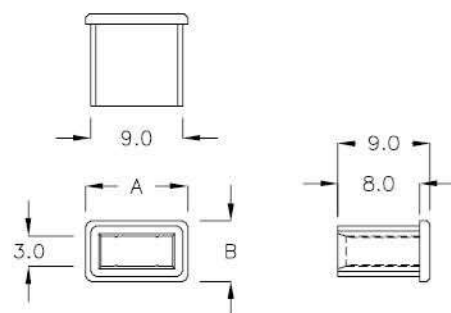


| PART NO | A   | B   | C   | D   | E   | PACKAGE |
|---------|-----|-----|-----|-----|-----|---------|
| USB-06  | 9.5 | 4.8 | 1.0 | 7.2 | 5.0 | 1000    |



### MINI USB 插頭蓋 USB COVER | 13-87-4 |

- MATERIAL: NYLON 66(UL)
- FLAME CLASS: 94V-2
- COLOR: NATURAL, BLACK



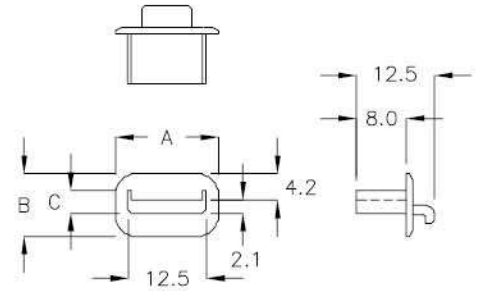
| PART NO | A    | B   | PACKAGE |
|---------|------|-----|---------|
| USB-9MT | 10.0 | 6.0 | 1000    |



**USB 插頭蓋 USB COVER**

**13-88-1**

- MATERIAL: PP
- COLOR: BLACK



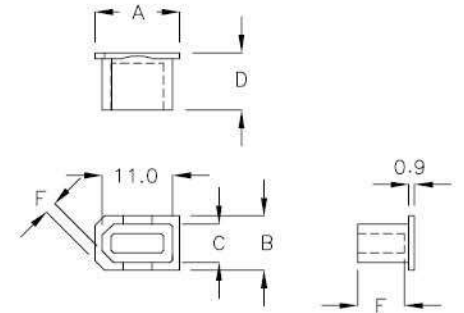
| PART NO | A    | B    | C   | PACKAGE |
|---------|------|------|-----|---------|
| USB-07  | 16.5 | 10.0 | 3.7 | 2000    |



**USB1394 保護蓋 USB COVER**

**13-88-2**

- MATERIAL: PE
- COLOR: BLACK



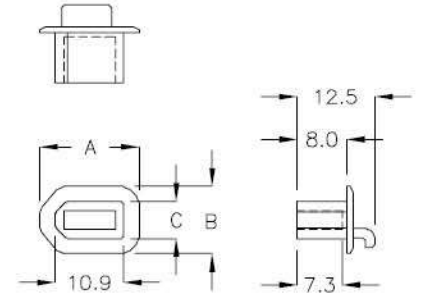
| PART NO | A    | B   | C   | D   | E   | F   | PACKAGE |
|---------|------|-----|-----|-----|-----|-----|---------|
| USF-01  | 13.2 | 8.5 | 6.0 | 8.9 | 7.3 | 1.8 | 2000    |
| USF-02  | 13.2 | 8.5 | 6.0 | 8.9 | 7.3 | 1.0 |         |



**USB1394 保護蓋 USB COVER**

**13-88-3**

- MATERIAL: PP
- COLOR: BLACK



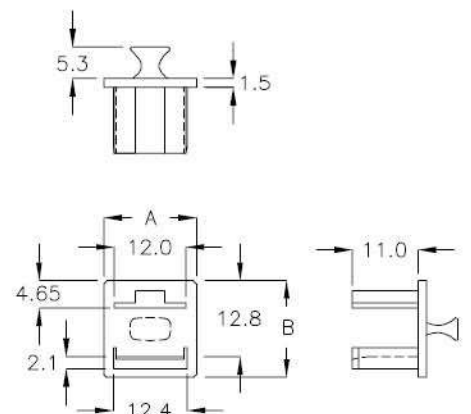
| PART NO | A    | B    | C   | PACKAGE |
|---------|------|------|-----|---------|
| USF-03  | 16.0 | 10.8 | 6.0 | 2000    |



**USB 保護蓋 USB COVER**

**13-88-4**

- MATERIAL: NYLON 66(UL)
- FLAME CLASS: 94V-2
- COLOR: BLACK



| PART NO | A    | B    | PACKAGE |
|---------|------|------|---------|
| USJ-2JM | 15.6 | 16.3 | 500     |

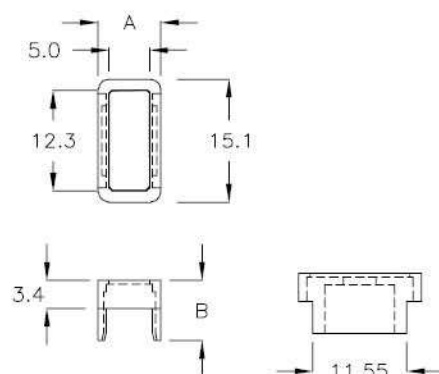


## USB 保護蓋 USB COVER

13-89-1

- MATERIAL: PP
- COLOR: BLACK

| PART NO | A   | B   | PACKAGE |
|---------|-----|-----|---------|
| USQ-15C | 7.7 | 7.4 | 500     |

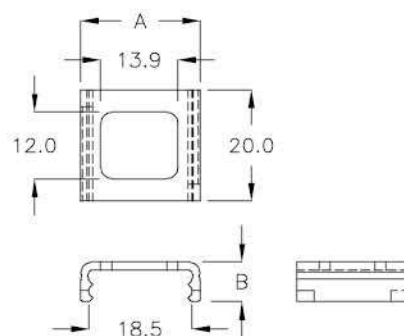


## 保護蓋 GPS COVER

13-89-2

- MATERIAL: NYLON 66(UL)
- FLAME CLASS: 94V-0
- COLOR: NATURAL

| PART NO | A    | B    | PACKAGE |
|---------|------|------|---------|
| LHZ-21K | 21.5 | 7.17 | 500     |

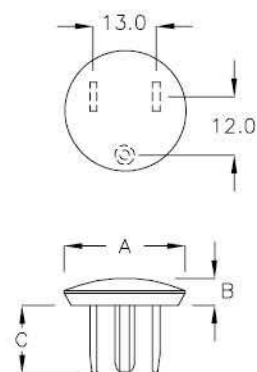


## 電源插座保護蓋 SOCKET COVER

13-89-3

- MATERIAL: ABS(UL)
- FLAME CLASS: 94V-0
- COLOR: NATURAL

| PART NO | A     | B   | C    | PACKAGE |
|---------|-------|-----|------|---------|
| HDB-01  | ∅25.0 | 5.5 | 14.0 | 200     |

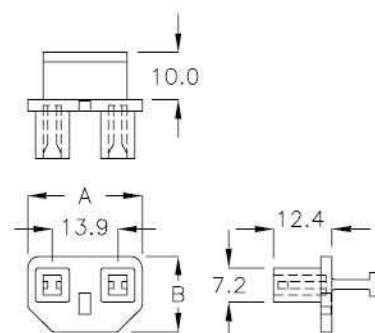


## 電源插座防塵蓋 DUST COVER

13-89-4

- MATERIAL: TPE(UL)
- FLAME CLASS: 94V-0
- COLOR: BLACK

| PART NO | A    | B    | PACKAGE |
|---------|------|------|---------|
| HDY-16A | 24.3 | 16.0 | 500     |

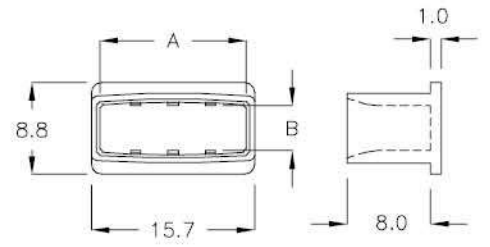




### HDMI 插頭蓋 HDMI COVER

13-90-1

- MATERIAL: NYLON 66(UL)
- FLAME CLASS: 94V-2
- COLOR: NATURAL



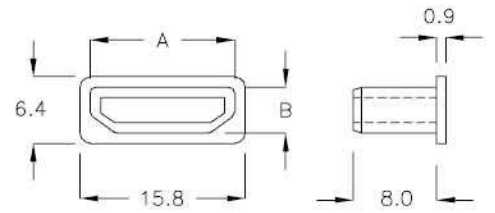
| PART NO | A    | B   | PACKAGE |
|---------|------|-----|---------|
| DMI-01  | 14.2 | 4.2 | 500     |



### HDMI 插頭蓋 HDMI COVER

13-90-2

- MATERIAL: NYLON 66(UL)
- FLAME CLASS: 94V-2
- COLOR: NATURAL



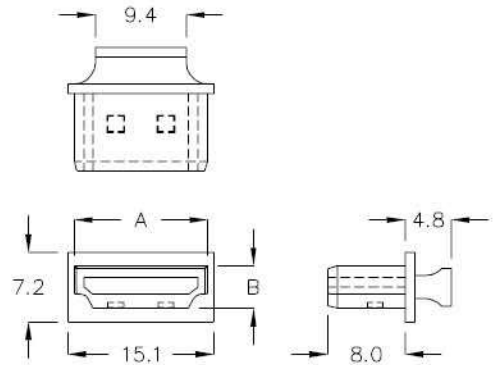
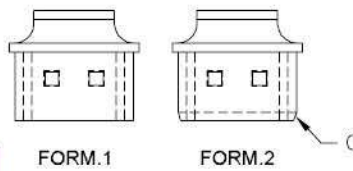
| PART NO | A    | B   | PACKAGE |
|---------|------|-----|---------|
| DMI-02  | 13.8 | 4.4 | 1000    |



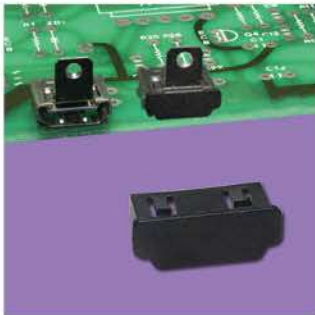
### HDMI 插頭蓋 HDMI COVER

13-90-3

- MATERIAL: PE
- COLOR: NATURAL, BLACK



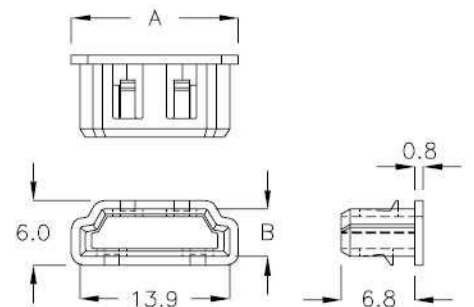
| PART NO  | A    | B   | FORM | PACKAGE |
|----------|------|-----|------|---------|
| DMI-2C   | 13.8 | 4.4 | 1    | 1000    |
| ★ DMI-2P | 13.8 | 4.4 | 2    |         |



### HDMI 插頭蓋 HDMI COVER

13-90-4

- MATERIAL: NYLON 66(UL)
- FLAME CLASS: 94V-2
- COLOR: BLACK



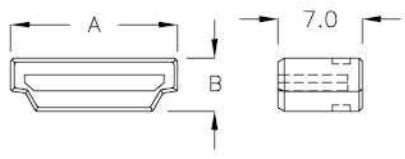
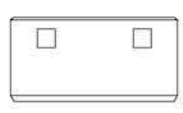
| PART NO | A    | B   | PACKAGE |
|---------|------|-----|---------|
| DMI-2TA | 15.5 | 4.4 | 1000    |



**HDMI 插頭蓋 HDMI COVER** | 13-91-1 |

- MATERIAL: PP
- COLOR: BLACK

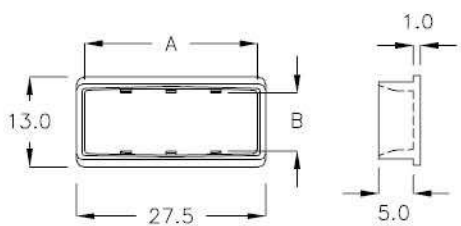
| PART NO | A    | B   | PACKAGE |
|---------|------|-----|---------|
| DMI-3K  | 13.9 | 4.4 | 1000    |



**DVI 插頭蓋 DVI COVER** | 13-91-2 |

- MATERIAL: NYLON 66(UL)
- FLAME CLASS: 94V-2
- COLOR: NATURAL

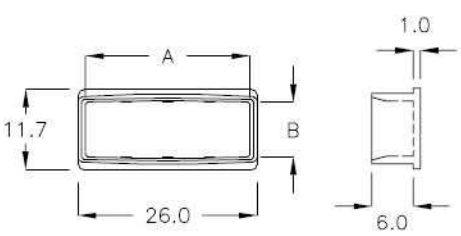
| PART NO | A    | B   | PACKAGE |
|---------|------|-----|---------|
| DVI-01  | 25.1 | 8.5 | 500     |



**DVI 插頭蓋 DVI COVER** | 13-91-3 |

- MATERIAL: NYLON 66(UL)
- FLAME CLASS: 94V-2
- COLOR: NATURAL

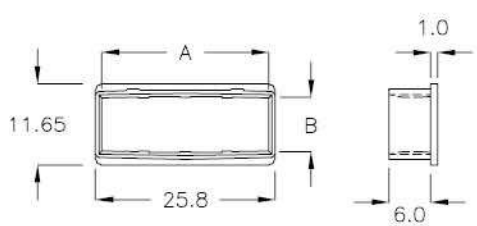
| PART NO | A    | B   | PACKAGE |
|---------|------|-----|---------|
| DVI-02  | 23.9 | 8.0 | 500     |

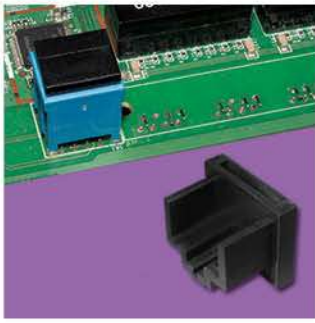


**DVI 插頭蓋 DVI COVER** | 13-91-4 |

- MATERIAL: NYLON 66(UL)
- FLAME CLASS: 94V-2
- COLOR: NATURAL

| PART NO | A    | B   | PACKAGE |
|---------|------|-----|---------|
| DVI-2WT | 23.8 | 7.8 | 500     |



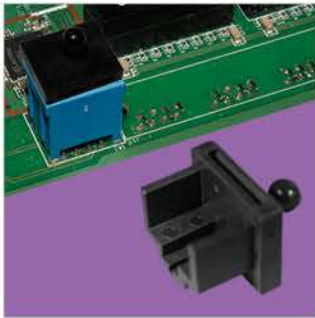
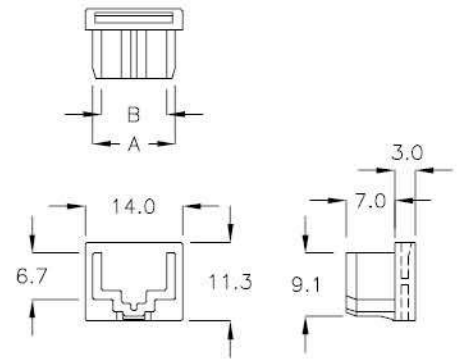


### RJ45 插頭蓋 RJ45 COVER

13-92-1

- MATERIAL: NYLON 66(UL)
- FLAME CLASS: 94V-2
- COLOR: BLACK

| PART NO | A    | B   | PACKAGE |
|---------|------|-----|---------|
| NET-1QH | 11.9 | 9.4 | 500     |

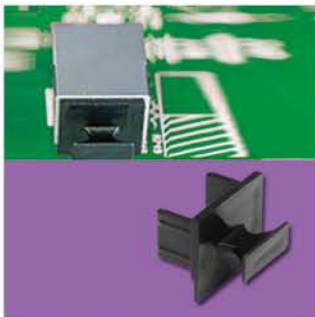
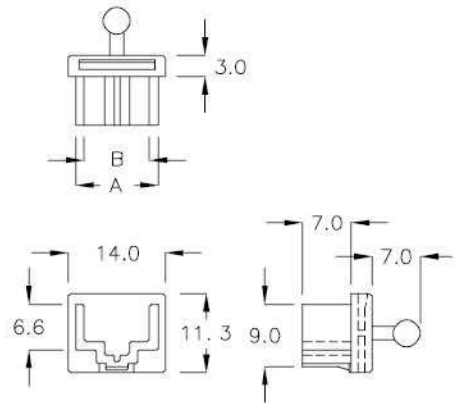


### RJ45 插頭蓋 RJ45 COVER

13-92-2

- MATERIAL: PP
- COLOR: BLACK

| PART NO | A    | B   | PACKAGE |
|---------|------|-----|---------|
| NEX-01  | 11.9 | 9.4 | 500     |

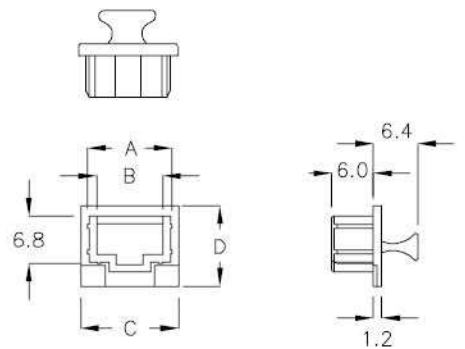


### RJ45 插頭蓋 RJ45 COVER

13-92-3

- MATERIAL: NYLON 66(UL)
- FLAME CLASS: 94V-2
- MATERIAL: TPE
- FLAME CLASS: 94V-0
- COLOR: BLACK

| PART NO | A    | B   | C    | D     | MATERIAL | PACKAGE |
|---------|------|-----|------|-------|----------|---------|
| NEX-02  | 12.1 | 9.5 | 14.1 | 11.6  | N66      | 500     |
| NEX-3K  | 11.9 | 9.0 | 17.6 | 13.25 | N66      |         |
| NEX-4KJ | 12.0 | 9.5 | 13.5 | 11.6  | TPE      |         |

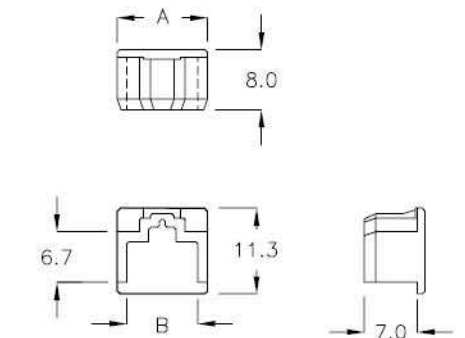


### RJ45 插頭蓋 RJ45 COVER

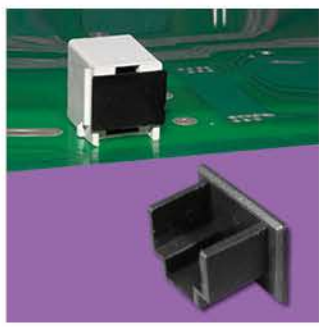
13-92-4

- MATERIAL: NYLON 66(UL)
- FLAME CLASS: 94V-2
- COLOR: BLACK

| PART NO | A    | B   | PACKAGE |
|---------|------|-----|---------|
| NET-2FM | 12.0 | 9.4 | 500     |

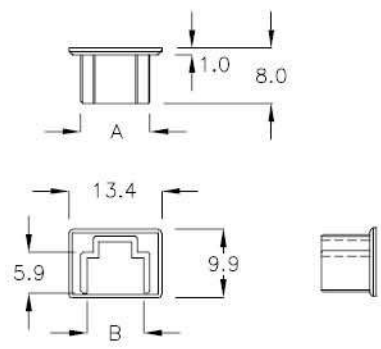






**RJ12 插頭蓋 RJ12 COVER** | 13-93-1 |

- MATERIAL: PP
- COLOR: BLACK,NATURAL

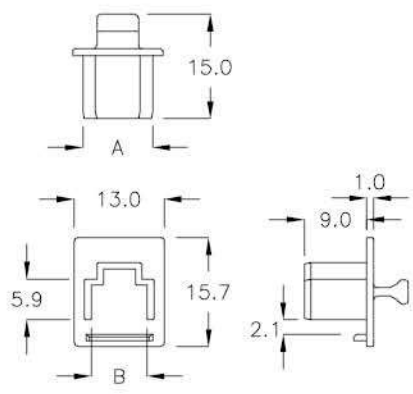


| PART NO | A    | B   | PACKAGE |
|---------|------|-----|---------|
| NET-02  | 10.0 | 8.2 | 500     |



**RJ12 插頭蓋 RJ12 COVER** | 13-93-2 |

- MATERIAL: NYLON 66(UL)
- FLAME CLASS: 94V-2
- COLOR: BLACK

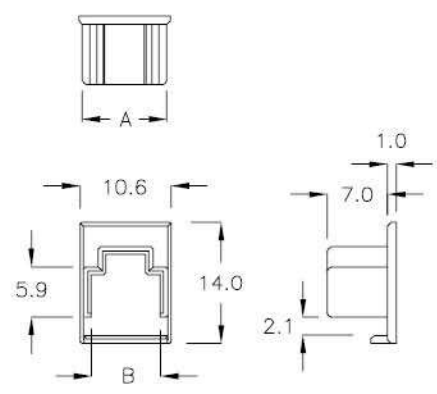


| PART NO | A    | B   | PACKAGE |
|---------|------|-----|---------|
| NET-2HK | 10.0 | 8.0 | 500     |



**RJ12 插頭蓋 RJ12 COVER** | 13-93-3 |

- MATERIAL: PP
- COLOR: BLACK

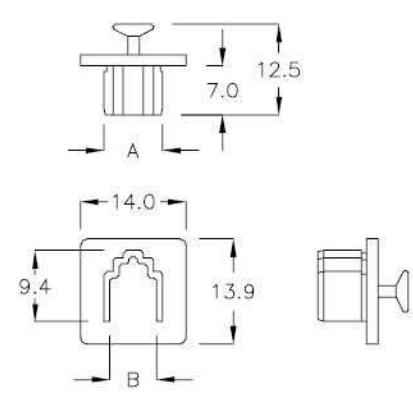


| PART NO | A   | B   | PACKAGE |
|---------|-----|-----|---------|
| NET-02A | 9.8 | 8.0 | 500     |



**RJ11 防塵蓋 RJ11 COVER** | 13-93-4 |

- MATERIAL: NYLON 66(UL)
- FLAME CLASS: 94V-2
- COLOR: BLACK



| PART NO | A    | B   | PACKAGE |
|---------|------|-----|---------|
| RJ-12   | 7.75 | 6.2 | 1000    |

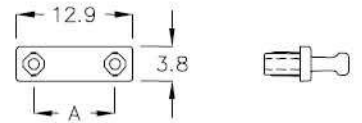
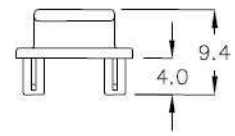


**MICRO FIT 防塵蓋 MICRO FIT COVER** ———— | 13-94-1 |

- MATERIAL: ABS+PC
- COLOR: BLACK

**NEW**

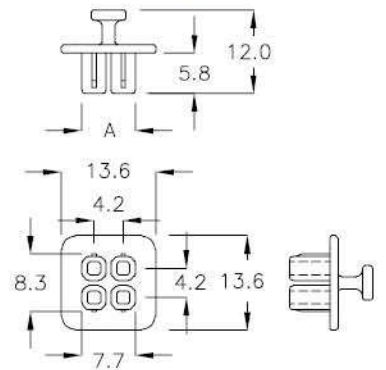
| PART NO   | A   | PACKAGE |
|-----------|-----|---------|
| ★ NEG-12K | 9.0 | 1000    |



**電源連接座插頭蓋 CONNECTOR COVER** ———— | 13-94-2 |

- MATERIAL: NYLON 66(UL)
- FLAME CLASS: 94V-2
- COLOR: BLACK

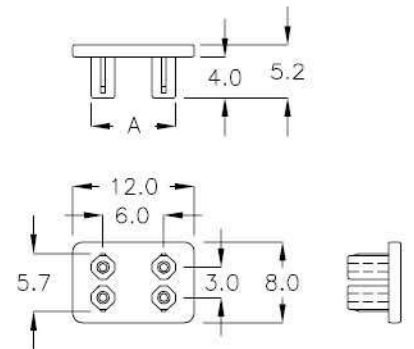
| PART NO | A   | PACKAGE |
|---------|-----|---------|
| NES-4A  | 7.7 | 500     |



**電源連接座插頭蓋 CONNECTOR COVER** ———— | 13-94-3 |

- MATERIAL: NYLON 66(UL)
- FLAME CLASS: 94V-2
- COLOR: BLACK

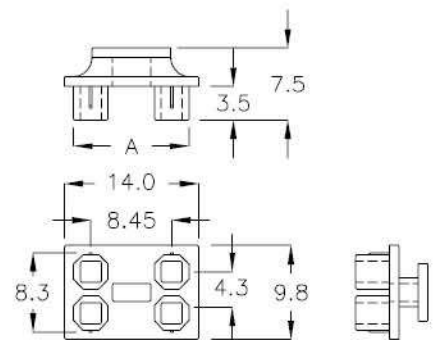
| PART NO | A    | PACKAGE |
|---------|------|---------|
| NEA-12J | 8.35 | 500     |



**電源連接座插頭蓋 CONNECTOR COVER** ———— | 13-94-4 |

- MATERIAL: PP
- COLOR: BLACK

| PART NO | A     | PACKAGE |
|---------|-------|---------|
| NES-14A | 12.04 | 500     |

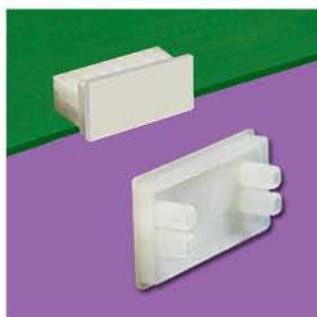
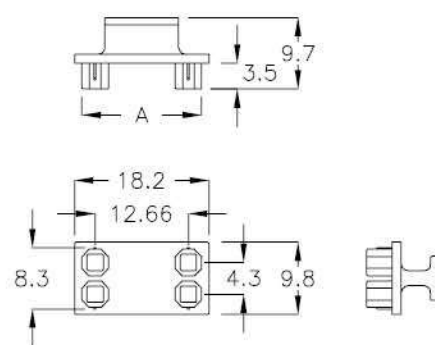




### 電源連接座插頭蓋 CONNECTOR COVER ——— 13-95-1 |

- MATERIAL: NYLON 66(UL)
- FLAME CLASS: 94V-2
- COLOR: BLACK

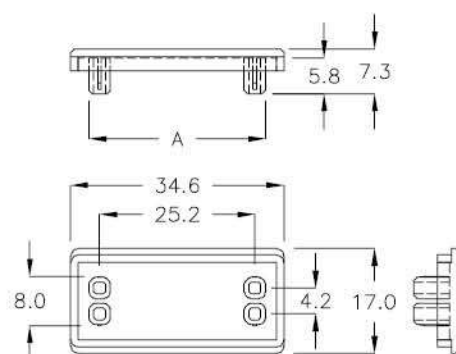
| PART NO | A    | PACKAGE |
|---------|------|---------|
| NES-18C | 16.3 | 500     |



### 電源連接座插頭蓋 CONNECTOR COVER ——— 13-95-2 |

- MATERIAL: NYLON 66(UL)
- FLAME CLASS: 94V-2
- COLOR: NATURAL

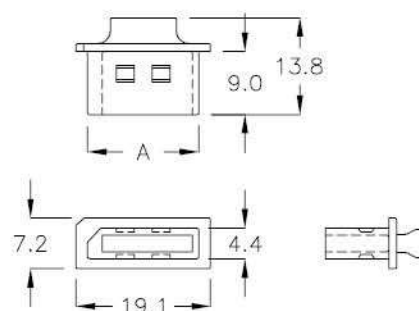
| PART NO | A    | PACKAGE |
|---------|------|---------|
| NEQ-34K | 28.7 | 500     |



### DP 防塵蓋 DP COVER ——— 13-95-3 |

- MATERIAL: PE
- COLOR: NATURAL

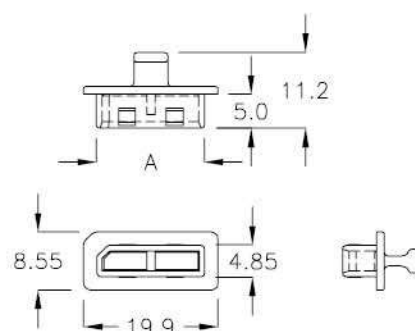
| PART NO | A    | PACKAGE |
|---------|------|---------|
| DP-2KT  | 15.9 | 1000    |

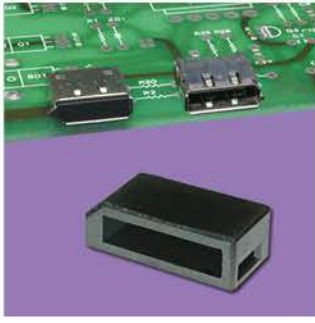


### DP 防塵蓋 DP COVER ——— 13-95-4 |

- MATERIAL: NYLON 66(UL)
- FLAME CLASS: 94V-2
- COLOR: BLACK

| PART NO | A    | PACKAGE |
|---------|------|---------|
| DP-01   | 15.9 | 1000    |



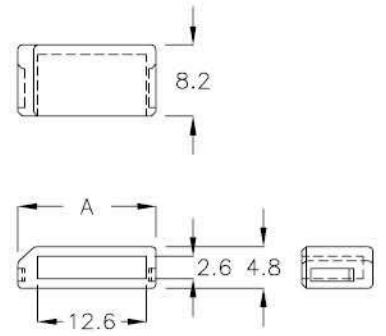


DP 防塵蓋 DP COVER

13-96-1

- MATERIAL: PP
- COLOR: BLACK

| PART NO | A    | PACKAGE |
|---------|------|---------|
| DP-3F   | 16.0 | 1000    |

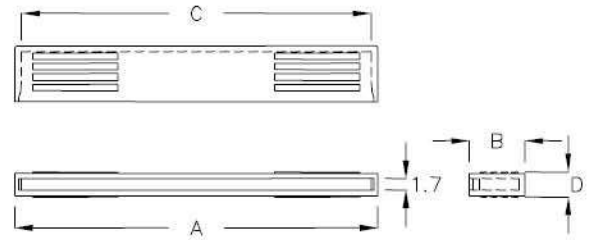


PCIE 防塵蓋 PCI EXPRESS COVER

13-96-2

- MATERIAL: PE
- COLOR: BLACK

| PART NO  | A    | B   | C    | D   | PACKAGE |
|----------|------|-----|------|-----|---------|
| HCS-44AT | 44.0 | 8.0 | 41.8 | 4.0 | 500     |
| HCS-55FN | 55.4 | 8.6 | 53.2 | 3.8 |         |

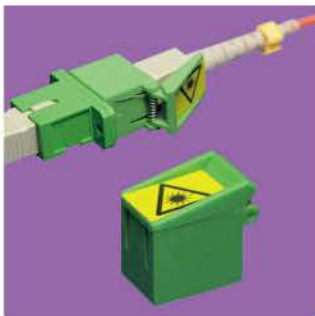
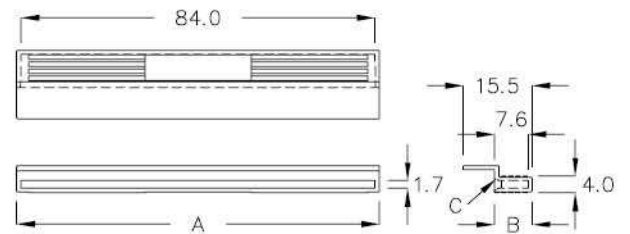


PCIE 防塵蓋 PCI EXPRESSx16 COVER

13-96-3

- MATERIAL: PE
- COLOR: NATURAL

| PART NO    | A    | B   | C   | PACKAGE |
|------------|------|-----|-----|---------|
| HCS-86FQ   | 86.0 | 8.5 | —   | 200     |
| ★ HCS-86HX | 86.0 | 8.5 | 1.0 |         |

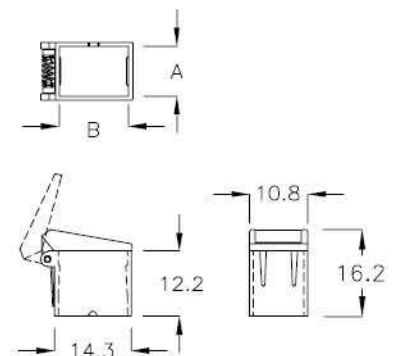


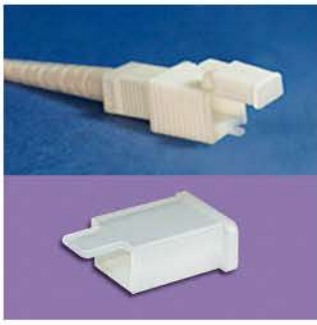
SC 型光纖蓋組合  
OPTICAL FIBER COVER

13-96-4

- MATERIAL: NYLON 66(UL)
- FLAME CLASS: 94V-0
- COLOR: GREEN

| PART NO    | A   | B    | PACKAGE |
|------------|-----|------|---------|
| FIB-13-NOH | 9.4 | 12.9 | 500     |

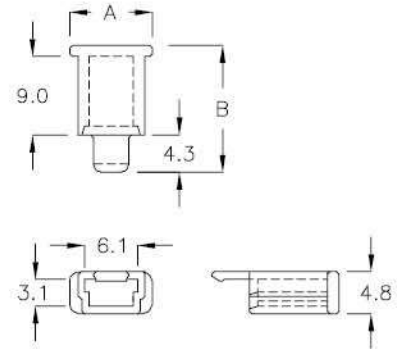




光纖保護蓋 OPTICAL FIBER COVER ———— | 13-97-1 |

- MATERIAL: NYLON 66(UL)
- FLAME CLASS: 94V-2
- COLOR: NATURAL

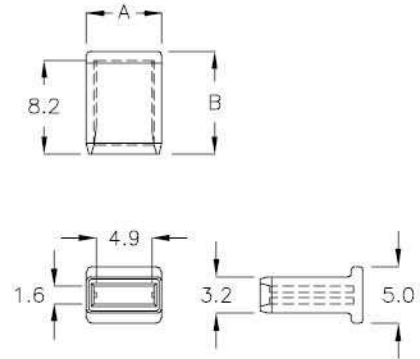
| PART NO | A   | B    | PACKAGE |
|---------|-----|------|---------|
| MNA-11C | 9.5 | 14.6 | 2000    |



防塵蓋 DUST COVER ———— | 13-97-2 |

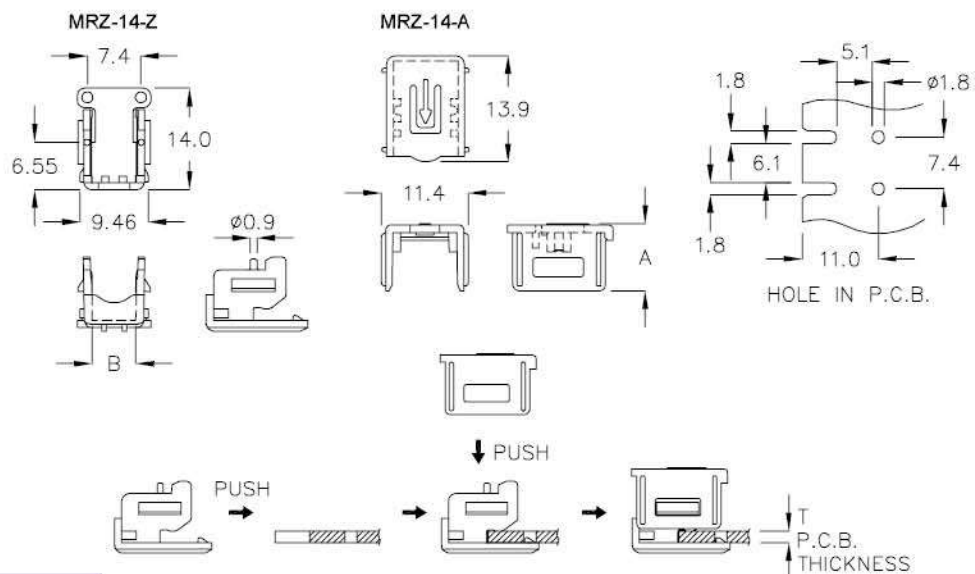
- MATERIAL: NYLON 66(UL)
- FLAME CLASS: 94V-2
- COLOR: BLACK

| PART NO | A   | B   | PACKAGE |
|---------|-----|-----|---------|
| MNW-9A  | 6.6 | 9.0 | 1000    |



音頻插座固定座  $\Phi$ 3.5 AUDIO MOUNT ———— | 13-97-3 |

- MATERIAL: NYLON 66(UL)
- FLAME CLASS: 94V-0
- COLOR: BLACK



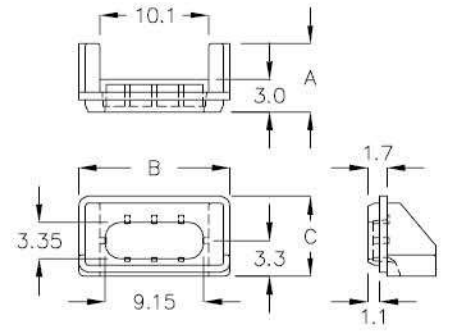
| PART NO | A   | B   | T<br>P.C.B.<br>THICKNESS | PACKAGE |
|---------|-----|-----|--------------------------|---------|
| MRZ-14  | 8.6 | 6.0 | 1.65                     | 1000    |



### TYPE-C 固定座 MOUNT

13-98-1

- MATERIAL: ABS+PC(UL)
- FLAME CLASS: 94V-0
- COLOR: BLACK



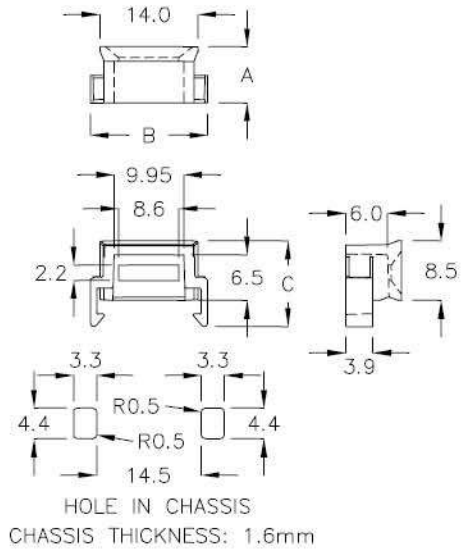
| PART NO | A   | B    | C   | PACKAGE |
|---------|-----|------|-----|---------|
| MIR-14  | 6.3 | 14.0 | 7.4 | 200     |



### MICRO-FIT 固定座 MICRO-FIT CONNECTOR HOLDER

13-98-2

- MATERIAL: NYLON 66(UL)
- FLAME CLASS: 94V-0
- COLOR: BLACK



| PART NO   | A   | B    | C    | PACKAGE |
|-----------|-----|------|------|---------|
| MJQB-18AT | 8.0 | 16.7 | 12.2 | 500     |

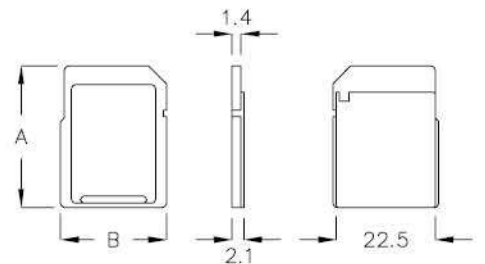


### SD 卡保護座 SD CARD SOCKET COVER

13-98-3

- MATERIAL: ABS(UL)
- COLOR: BLACK

| PART NO | A    | B    | PACKAGE |
|---------|------|------|---------|
| SDH-01  | 32.0 | 24.0 | 500     |

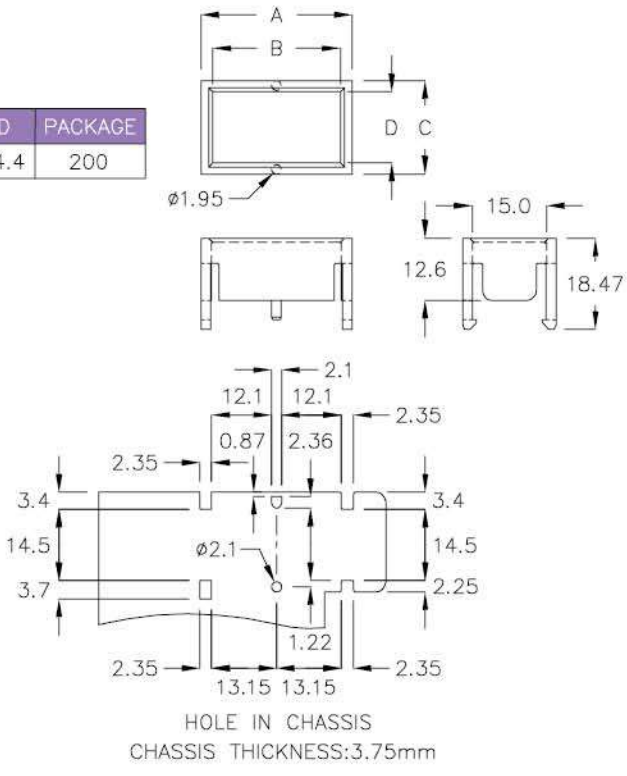




連接器固定座 CONNECTOR MOUNT ———— | 13-99-1 |

- MATERIAL: NYLON 66(UL)
- FLAME CLASS: 94V-2
- COLOR: BLACK

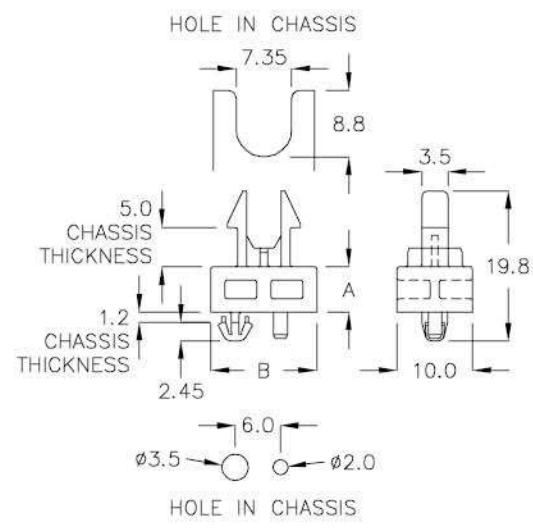
| PART NO  | A    | B    | C    | D    | PACKAGE |
|----------|------|------|------|------|---------|
| MNK-30YM | 30.6 | 25.8 | 18.9 | 14.4 | 200     |



連接器固定座 CONNECTOR MOUNT ———— | 13-99-2 |

- MATERIAL: NYLON 66(UL)
- FLAME CLASS: 94V-0
- COLOR: BLACK

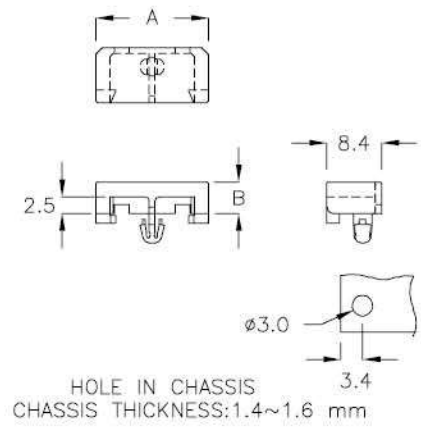
| PART NO  | A   | B    | PACKAGE |
|----------|-----|------|---------|
| MTQA-6KF | 6.0 | 14.0 | 1000    |

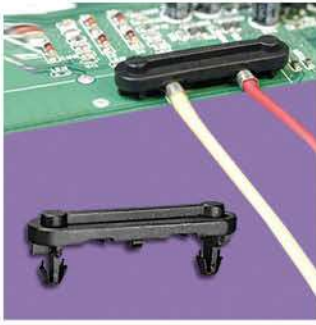


固定座 MOUNT ———— | 13-99-3 |

- MATERIAL: NYLON 66(UL)
- FLAME CLASS: 94V-2
- COLOR: BLACK

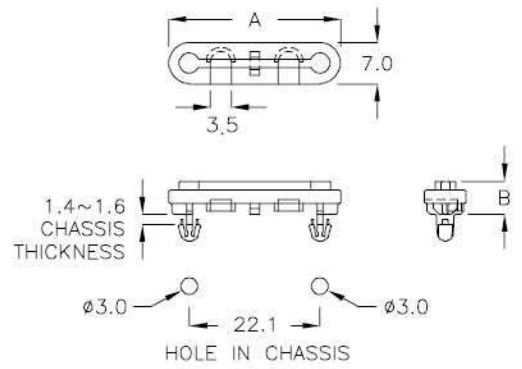
| PART NO | A    | B   | PACKAGE |
|---------|------|-----|---------|
| MRQ-14M | 17.3 | 4.8 | 1000    |



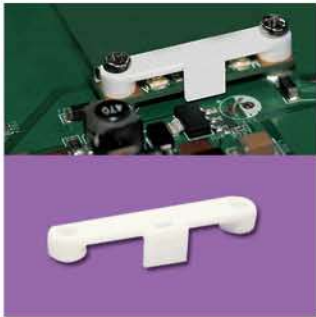


固定座 MOUNT |13-100-1|

- MATERIAL: NYLON 66(UL)
- FLAME CLASS: 94V-2
- COLOR: BLACK

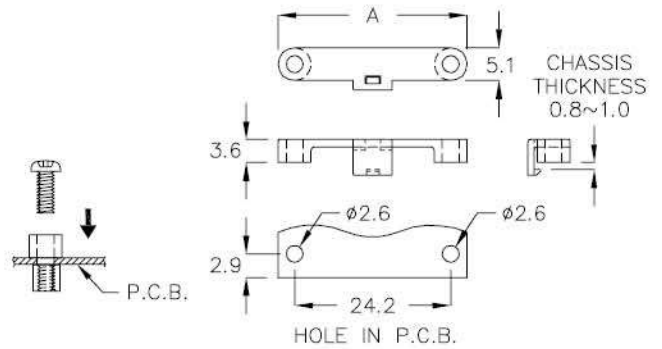


| PART NO | A    | B   | PACKAGE |
|---------|------|-----|---------|
| MRQ-29  | 29.1 | 5.6 | 1000    |



網通卡固定座 MOUNT |13-100-2|

- MATERIAL: NYLON 66(UL)
- FLAME CLASS: 94V-2
- COLOR: NATURAL
- USE M2.5 SCREW

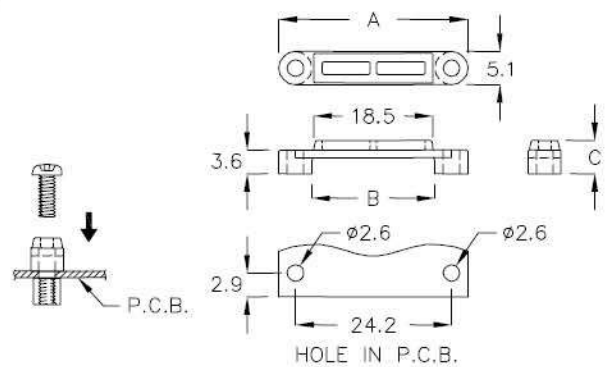


| PART NO | A    | PACKAGE |
|---------|------|---------|
| MRR-29  | 29.3 | 2000    |



網通卡固定座 MOUNT |13-100-3|

- MATERIAL: NYLON 66(UL)
- FLAME CLASS: 94V-0
- COLOR: NATURAL
- USE M2.5 SCREW



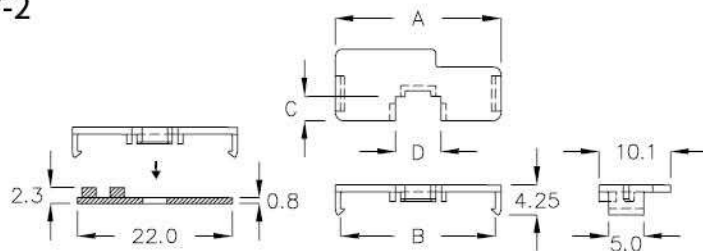
| PART NO    | A    | B    | C   | PACKAGE |
|------------|------|------|-----|---------|
| MRR-29AK   | 29.3 | 19.1 | 5.1 | 2000    |
| ★ MRR-29HC | 29.3 | 20.1 | 4.4 |         |





## M.2 卡固定座 MOUNT |13-101-1|

- MATERIAL: NYLON 66(UL)
- FLAME CLASS: 94V-2
- COLOR: BLACK

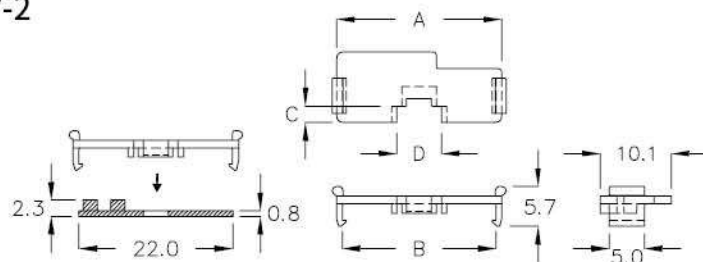


| PART NO  | A    | B    | C   | D   | PACKAGE |
|----------|------|------|-----|-----|---------|
| MRH-23FC | 23.4 | 21.9 | 3.4 | 6.4 | 2000    |



## M.2 卡固定座 MOUNT |13-101-2|

- MATERIAL: NYLON 66(UL)
- FLAME CLASS: 94V-2
- COLOR: NATURAL

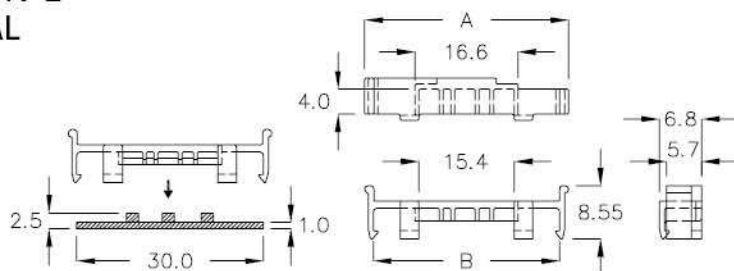


| PART NO  | A    | B    | C   | D   | PACKAGE |
|----------|------|------|-----|-----|---------|
| MRH-23AC | 23.6 | 21.8 | 2.4 | 6.4 | 2000    |
| MRH-23TG | 23.6 | 21.9 | 2.4 | 5.0 |         |
| MRH-23SK | 23.6 | 21.9 | 3.4 | 6.4 |         |



## M.2 卡固定座 MOUNT |13-101-3|

- MATERIAL: NYLON 66(UL)
- FLAME CLASS: 94V-2
- COLOR: NATURAL

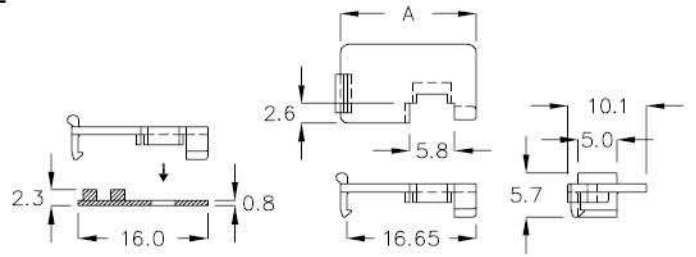


| PART NO | A    | B    | PACKAGE |
|---------|------|------|---------|
| MRM-31C | 32.9 | 30.1 | 1000    |



M.2 卡固定座 MOUNT |13-102-1|

- MATERIAL: NYLON 66(UL)
- FLAME CLASS: 94V-2
- COLOR: NATURAL

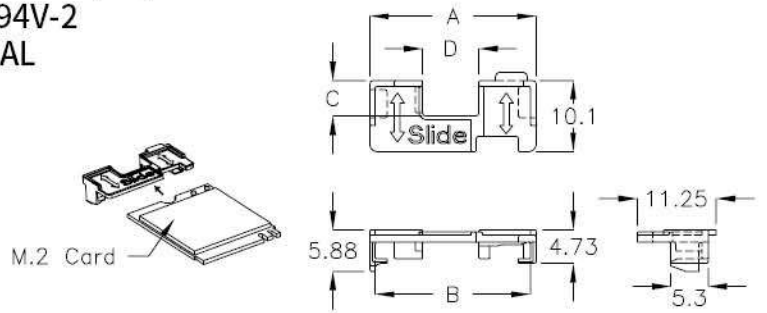


| PART NO | A    | PACKAGE |
|---------|------|---------|
| MRX-16D | 17.5 | 2000    |

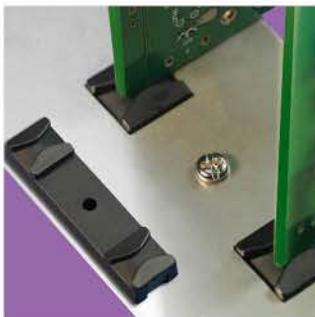


M.2 卡固定座 MOUNT |13-102-2|

- MATERIAL: NYLON 66(UL)
- FLAME CLASS: 94V-2
- COLOR: NATURAL



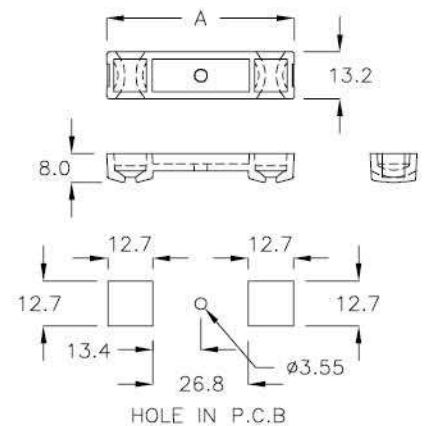
| PART NO  | A    | B     | C    | D   | PACKAGE |
|----------|------|-------|------|-----|---------|
| MRY-23CL | 23.6 | 22.05 | 5.05 | 8.0 | 2000    |



固定座 MOUNT |13-102-3|

- MATERIAL: NYLON 66(UL)
- FLAME CLASS: 94V-2
- COLOR: BLACK

| PART NO | A    | PACKAGE |
|---------|------|---------|
| CGR-52A | 52.7 | 200     |

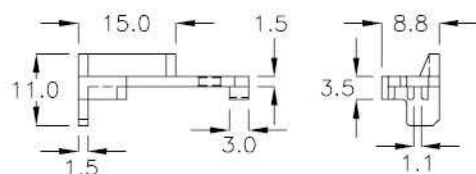
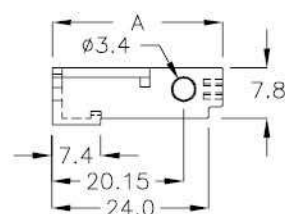




### 固定座 MOUNT |13-103-1|

- MATERIAL: ABS(UL)
- FLAME CLASS: 94HB
- COLOR: BLACK

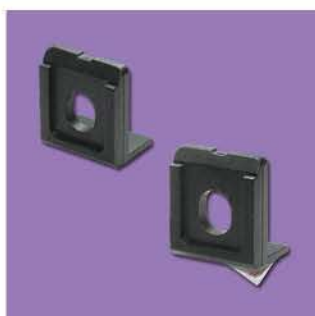
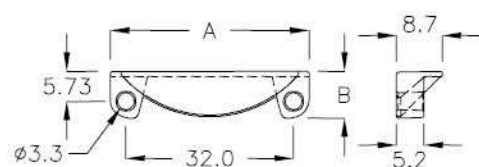
| PART NO  | A     | PACKAGE |
|----------|-------|---------|
| MJGP-26K | 26.15 | 200     |



### 固定座 HOUSING |13-103-2|

- MATERIAL: ABS+PC(UL)
- FLAME CLASS: 94V-0
- COLOR: BLACK

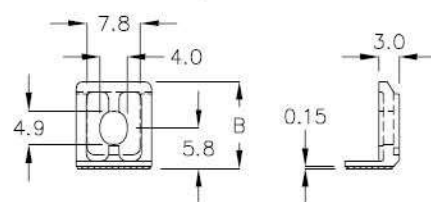
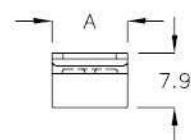
| PART NO  | A    | B   | PACKAGE |
|----------|------|-----|---------|
| MLW-38HC | 38.0 | 9.0 | 200     |



### 固定座 MOUNT |13-103-3|

- MATERIAL: PC(UL)
- FLAME CLASS: 94V-2
- COLOR: BLACK
- ADHESIVE TAPE: 3M

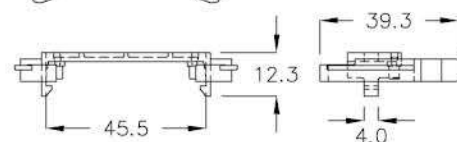
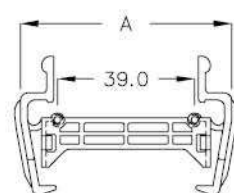
| PART NO | A    | B     | PACKAGE |
|---------|------|-------|---------|
| UAC-12B | 11.0 | 12.55 | 500     |

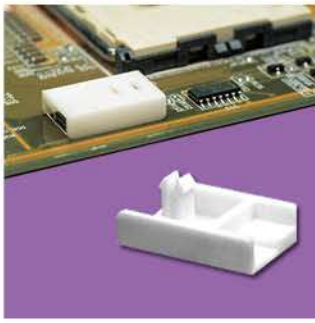


### SATA 固定扣 NIFLATCH |13-103-4|

- MATERIAL: NYLON 66(UL)
- FLAME CLASS: 94V-0
- COLOR: BLACK

| PART NO | A    | PACKAGE |
|---------|------|---------|
| HPM-56A | 60.2 | 200     |

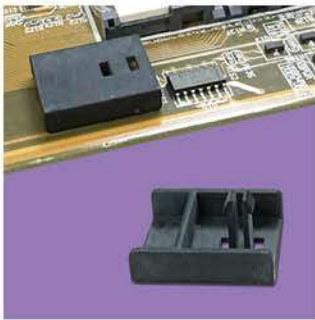
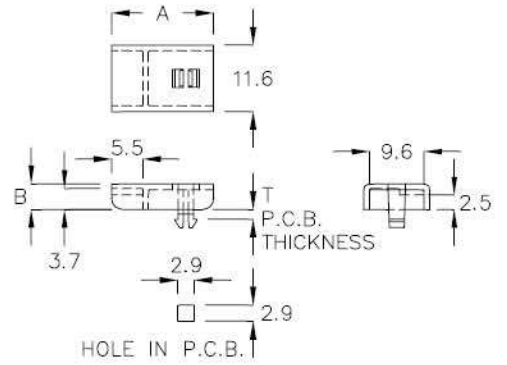




固定座 MOUNT |13-104-1|

- MATERIAL: NYLON 66(UL)
- FLAME CLASS: 94V-2
- COLOR: NATURAL

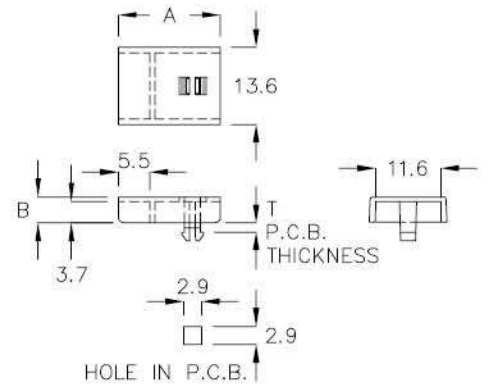
| PART NO | A    | B   | T<br>P.C.B.<br>THICKNESS | PACKAGE |
|---------|------|-----|--------------------------|---------|
| MMF-01  | 18.0 | 4.5 | 1.4~1.6                  | 1000    |



固定座 MOUNT |13-104-2|

- MATERIAL: NYLON 66+30%FRP
- FLAME CLASS: 94V-0
- COLOR: BLACK

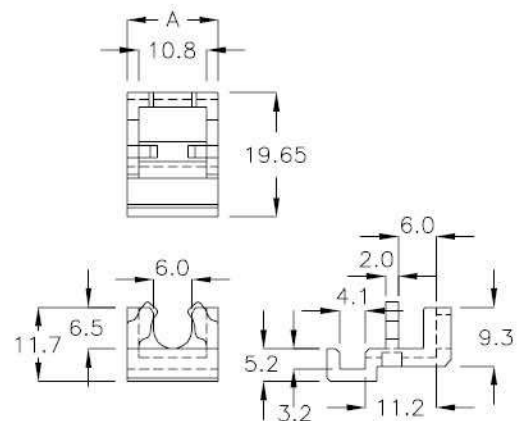
| PART NO | A    | B   | T<br>P.C.B.<br>THICKNESS | PACKAGE |
|---------|------|-----|--------------------------|---------|
| MMF-1K  | 18.0 | 4.5 | 1.4~1.6                  | 1000    |



固定座 MOUNT |13-104-3|

- MATERIAL: NYLON 66(UL)
- FLAME CLASS: 94V-2
- COLOR: BLACK

| PART NO  | A    | PACKAGE |
|----------|------|---------|
| MMFA-20T | 14.4 | 1000    |



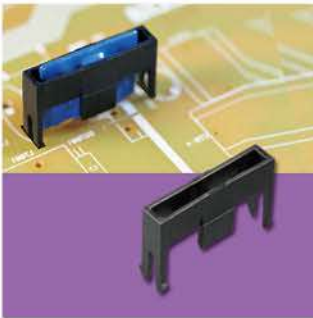
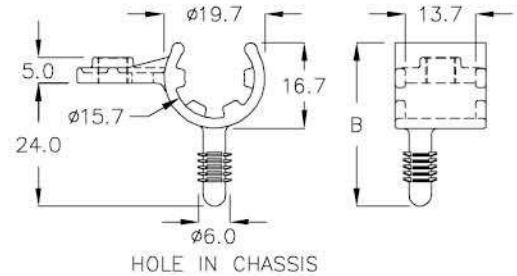
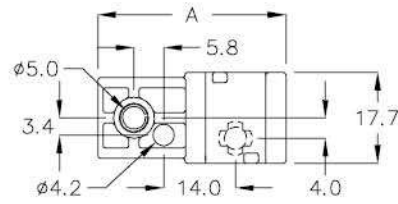


## 固定座 MOUNT

|13-105-1|

- MATERIAL: NYLON 66(UL)
- FLAME CLASS: 94V-0
- COLOR: BLACK

| PART NO  | A     | B    | PACKAGE |
|----------|-------|------|---------|
| MRAT-15M | 36.65 | 31.9 | 100     |

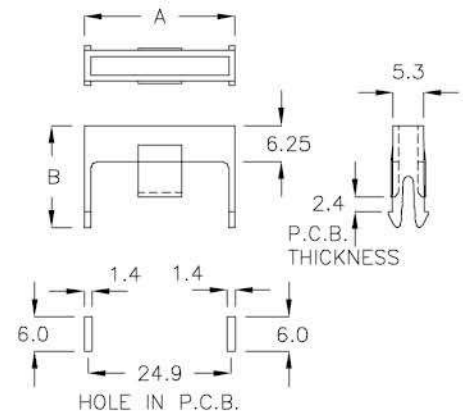


## 固定座 MOUNT

|13-105-2|

- MATERIAL: NYLON 66(UL)
- FLAME CLASS: 94V-2
- COLOR: BLACK

| PART NO | A    | B    | PACKAGE |
|---------|------|------|---------|
| MGL-26A | 26.1 | 17.7 | 500     |

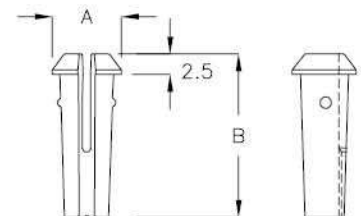


## 固定座 MOUNT

|13-105-3|

- MATERIAL: ABS+PC(UL)
- FLAME CLASS: 94V-0
- COLOR: BLACK

| PART NO | A   | B    | PACKAGE |
|---------|-----|------|---------|
| MMS-20  | 8.4 | 20.0 | 1000    |



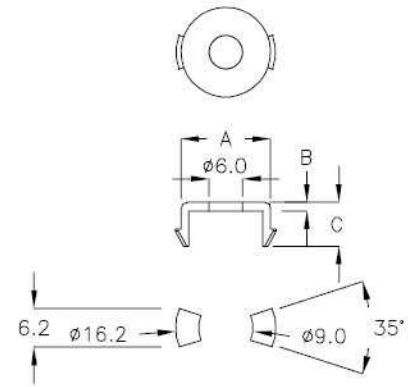
HOLE IN CHASSIS:  $\phi 6.0$   
CHASSIS THICKNESS: 2.5mm



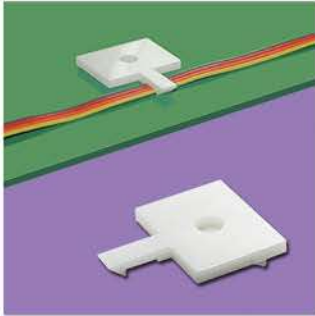
## 保護蓋 HOLE PROTECTOR |13-106-1|

- MATERIAL: NYLON 66(UL)
- FLAME CLASS: 94V-2
- COLOR: NATURAL

| PART NO | A     | B   | C   | PACKAGE |
|---------|-------|-----|-----|---------|
| MHY-01  | ∅16.0 | 1.5 | 6.3 | 1000    |



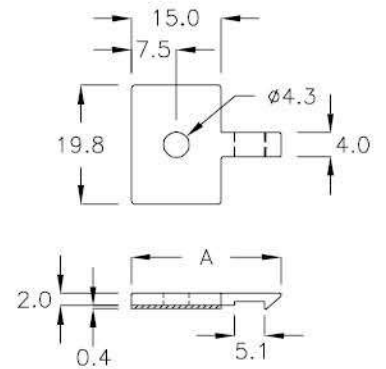
CHASSIS THICKNESS: 3.0 mm



## 固定座 MOUNT |13-106-2|

- MATERIAL: ABS(UL)
- FLAME CLASS: 94HB
- COLOR: NATURAL
- ADHESIVE TAPE: 3M

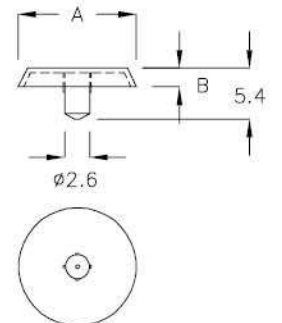
| PART NO | A    | PACKAGE |
|---------|------|---------|
| MZT-25  | 25.0 | 1000    |



## 塞頭 HOLE PLUG |13-106-3|

- MATERIAL: NYLON 66(UL)
- FLAME CLASS: 94V-2
- COLOR: BLACK

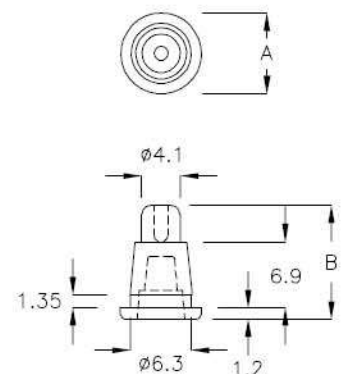
| PART NO | A     | B   | PACKAGE |
|---------|-------|-----|---------|
| P-1     | ∅12.5 | 2.0 | 1000    |



## 定位銷 PIN PLANAR LOCATOR |13-106-4|

- MATERIAL: NYLON 66(UL)
- FLAME CLASS: 94V-2
- COLOR: NATURAL

| PART NO | A    | B    | PACKAGE |
|---------|------|------|---------|
| P-5     | ∅8.5 | 12.0 | 1000    |

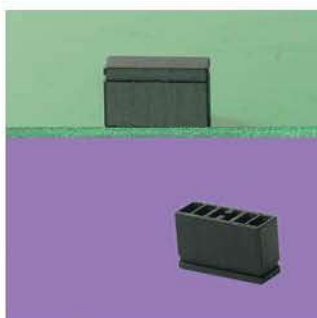
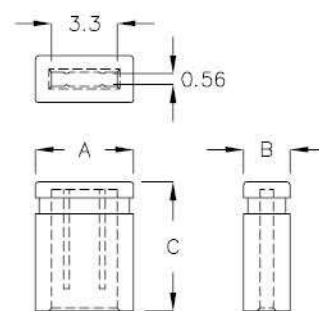




### 保護蓋 PIN HEADER PROTECTOR |13-107-1|

- MATERIAL: PBT(UL)
- FLAME CLASS: 94V-0
- COLOR: BLACK

| PART NO | A    | B    | C   | PACKAGE |
|---------|------|------|-----|---------|
| MGX-6AK | 4.95 | 2.35 | 6.5 | 2000    |

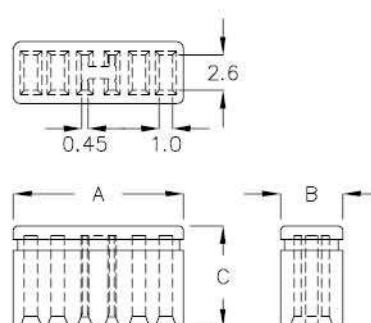


### 保護蓋 PIN HEADER PROTECTOR |13-107-2|

- MATERIAL: NYLON 66(UL)
- FLAME CLASS: 94V-0
- COLOR: BLACK

**NEW**

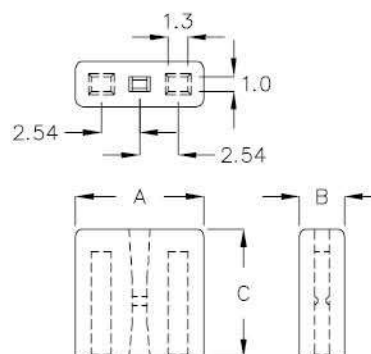
| PART NO   | A    | B   | C   | PACKAGE |
|-----------|------|-----|-----|---------|
| ★ MGX-7BL | 12.6 | 4.6 | 7.5 | 2000    |



### 保護蓋 PIN HEADER PROTECTOR |13-107-3|

- MATERIAL: PBT(UL)
- FLAME CLASS: 94V-0
- COLOR: BLACK

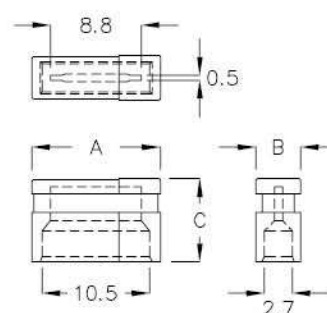
| PART NO | A   | B   | C   | PACKAGE |
|---------|-----|-----|-----|---------|
| MGX-8CK | 8.5 | 3.0 | 8.5 | 2000    |

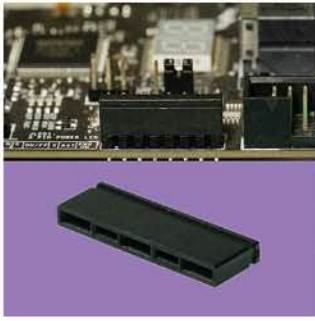


### 保護蓋 PIN HEADER PROTECTOR |13-107-4|

- MATERIAL: PBT(UL)
- FLAME CLASS: 94V-0
- COLOR: BLACK

| PART NO | A    | B    | C   | PACKAGE |
|---------|------|------|-----|---------|
| MGX-8MS | 12.5 | 4.35 | 8.1 | 2000    |



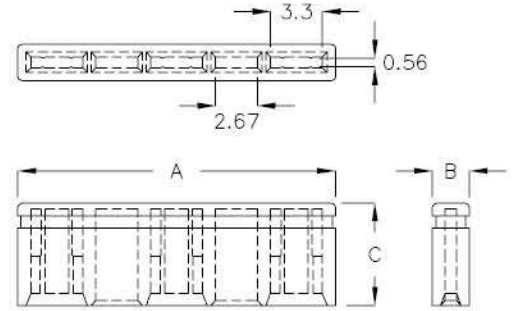


保護蓋 PIN HEADER PROTECTOR 13-108-1

- MATERIAL: PBT(UL)
- FLAME CLASS: 94V-0
- COLOR: BLACK

**NEW**

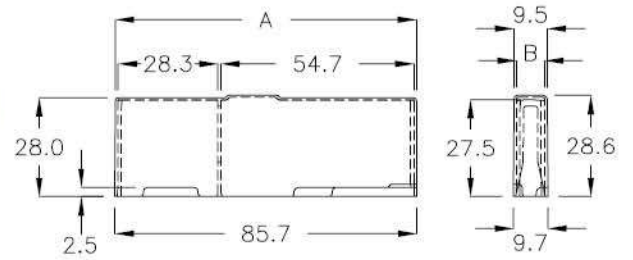
| PART NO    | A    | B    | C   | PACKAGE |
|------------|------|------|-----|---------|
| ★ MGX-20FT | 20.2 | 2.35 | 6.5 | 1000    |



保護蓋 HOLE PROTECTOR 13-108-2

- MATERIAL: PP(UL)
- FLAME CLASS: 94V-0
- COLOR: NATURAL

| PART NO     | A    | B   | PACKAGE |
|-------------|------|-----|---------|
| ★ DXGF-85KB | 85.5 | 7.9 | 100     |

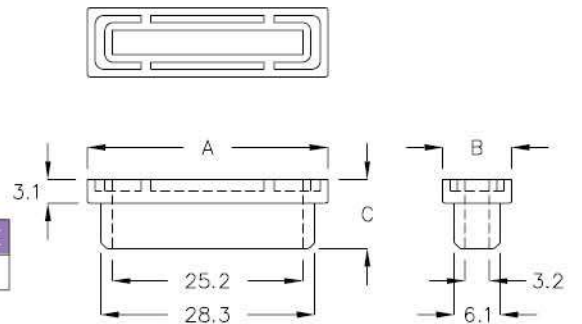


保護蓋 HOLE PROTECT COVER 13-108-3

- MATERIAL: PC(UL)
- COLOR: BLACK

**NEW**

| PART NO   | A    | B   | C   | PACKAGE |
|-----------|------|-----|-----|---------|
| ★ MDC-31A | 31.8 | 9.1 | 9.1 | 500     |



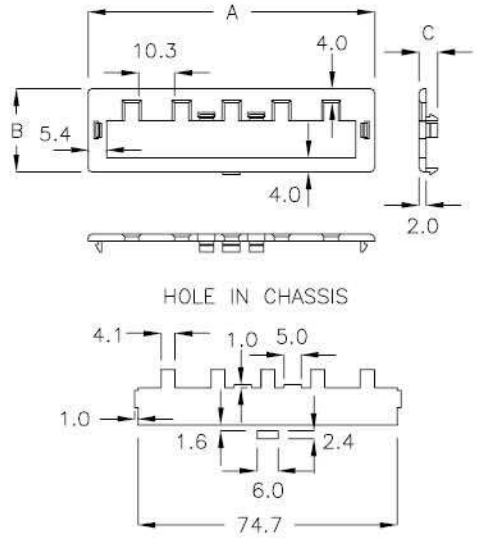




保護蓋 HOLE PROTECTOR |13-109-1|

- MATERIAL: NYLON 66(UL)
- FLAME CLASS: 94V-2
- COLOR: BLACK

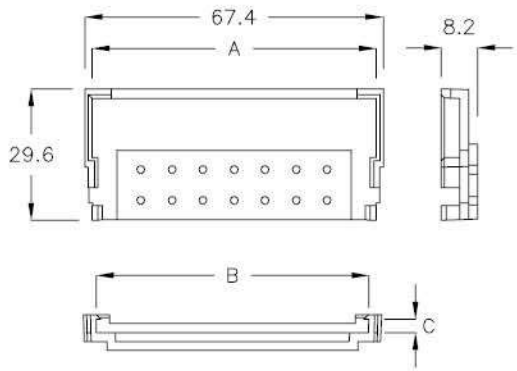
| PART NO | A    | B    | C   | PACKAGE |
|---------|------|------|-----|---------|
| MPR-01  | 82.6 | 23.9 | 5.2 | 100     |



記憶卡保護蓋 MEMORY CARD COVER |13-109-2|

- MATERIAL: NYLON 66(UL)
- FLAME CLASS: 94V-2
- COLOR: BLACK

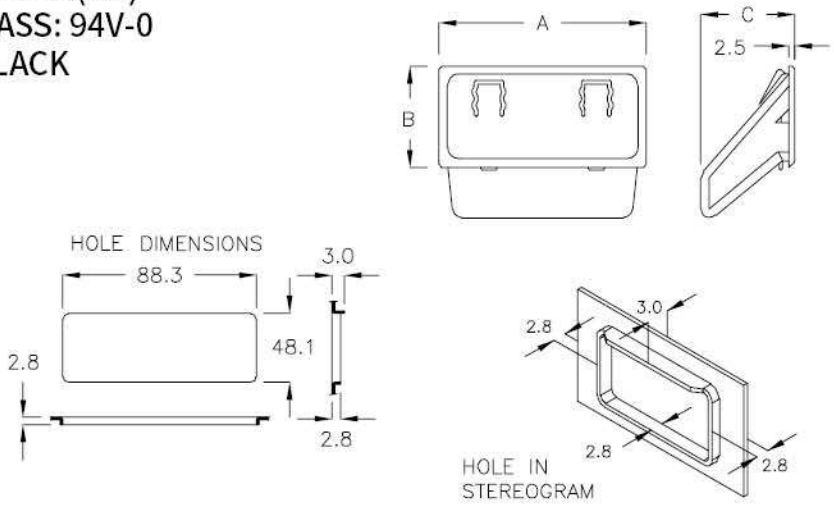
| PART NO | A    | B    | C   | PACKAGE |
|---------|------|------|-----|---------|
| VFA-02  | 64.5 | 61.5 | 3.1 | 100     |



提把 HANDLE |13-109-3|

- MATERIAL: ABS(UL)
- FLAME CLASS: 94V-0
- COLOR: BLACK

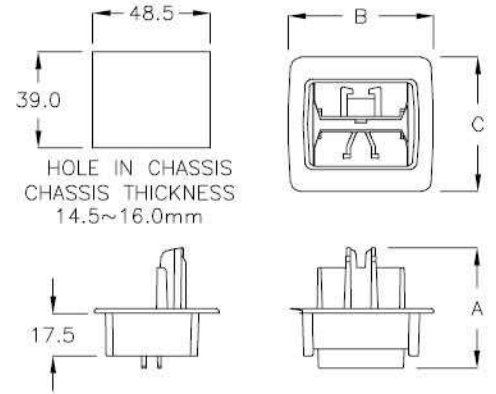
| PART NO | A    | B    | C    | PACKAGE |
|---------|------|------|------|---------|
| MKP-91  | 92.3 | 52.3 | 41.7 | 50      |





紙箱固定座 CARTON BOX HANDLE ————|13-110-1|

- MATERIAL: PP
- COLOR: NATURAL

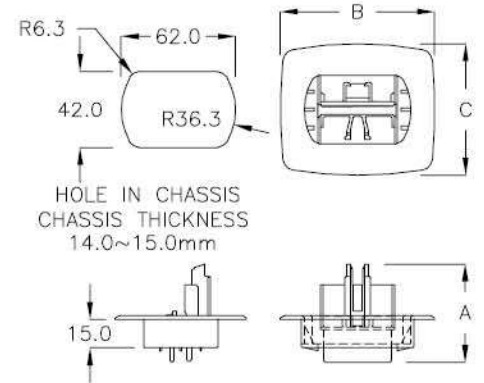


| PART NO | A    | B    | C    | PACKAGE |
|---------|------|------|------|---------|
| MKK-82A | 50.0 | 59.0 | 54.0 | 50      |



紙箱固定座 CARTON BOX HANDLE ————|13-110-2|

- MATERIAL: PP
- COLOR: NATURAL

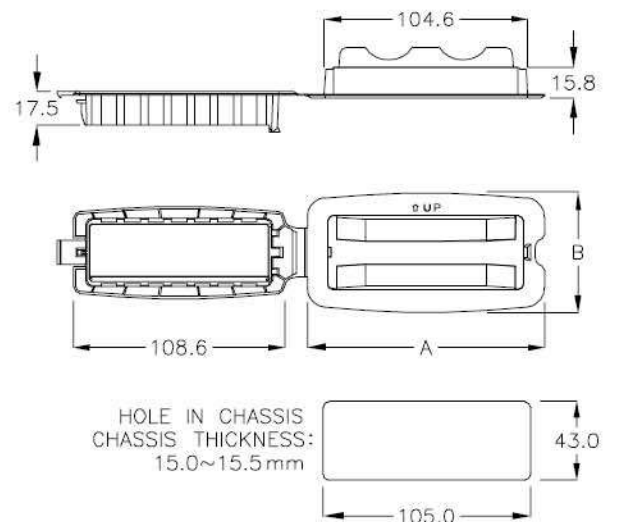


| PART NO  | A    | B    | C    | PACKAGE |
|----------|------|------|------|---------|
| MKK-81DZ | 51.2 | 81.0 | 69.0 | 50      |



紙箱固定座 CARTON BOX HANDLE ————|13-110-3|

- MATERIAL: PP
- COLOR: NATURAL



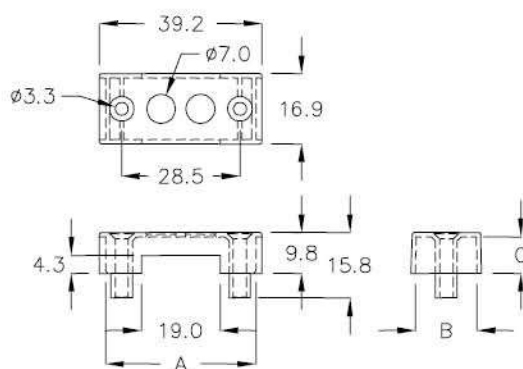
| PART NO | A     | B    | PACKAGE |
|---------|-------|------|---------|
| MKK-92  | 122.0 | 62.0 | 10      |



### 端子座保護蓋 TERMINAL COVER ————|13-111-1|

- MATERIAL: NYLON 66(UL)
- FLAME CLASS: 94V-2
- COLOR: BLACK

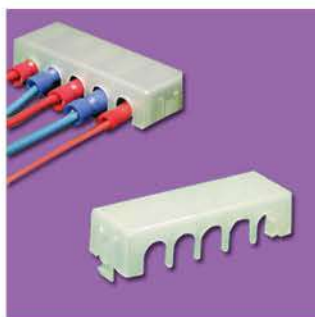
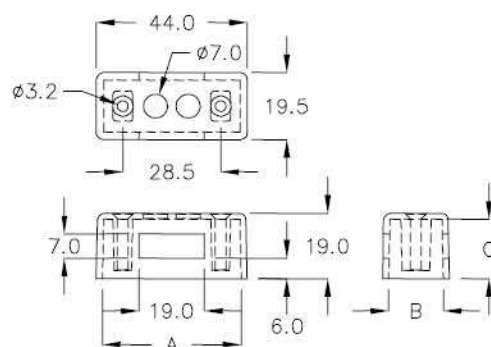
| PART NO | A    | B    | C   | PACKAGE |
|---------|------|------|-----|---------|
| MD-39   | 36.2 | 14.9 | 8.8 | 100     |



### 端子座保護蓋 TERMINAL COVER ————|13-111-2|

- MATERIAL: NYLON 66(UL)
- FLAME CLASS: 94V-2
- COLOR: BLACK

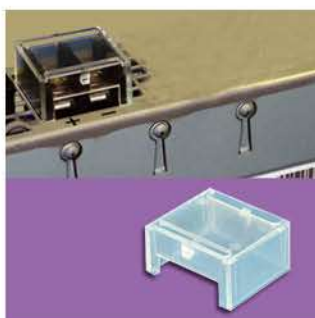
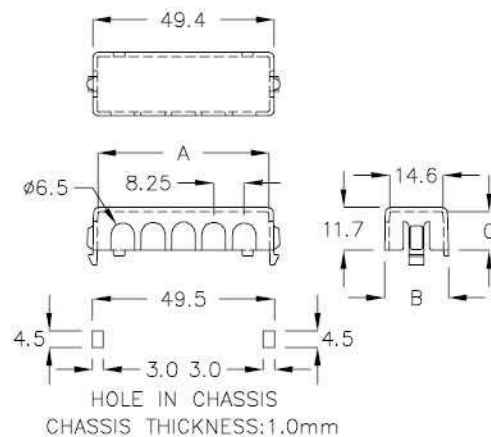
| PART NO | A    | B    | C    | PACKAGE |
|---------|------|------|------|---------|
| MD-44   | 40.4 | 15.9 | 17.2 | 100     |



### 端子座保護蓋 TERMINAL COVER ————|13-111-3|

- MATERIAL: PC(UL)
- FLAME CLASS: 94V-0
- COLOR: NATURAL

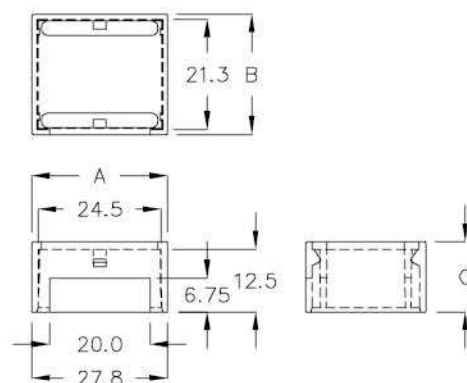
| PART NO | A    | B    | C    | PACKAGE |
|---------|------|------|------|---------|
| MDW-49A | 46.6 | 17.4 | 10.5 | 100     |

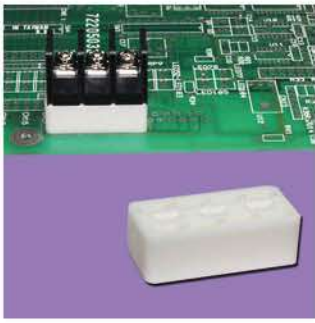


### 端子座保護蓋 DC CONNECTOR COVER ————|13-111-4|

- MATERIAL: PC(UL)
- COLOR: CLEAR

| PART NO | A    | B    | C    | PACKAGE |
|---------|------|------|------|---------|
| HDP-01  | 27.1 | 23.9 | 14.0 | 200     |



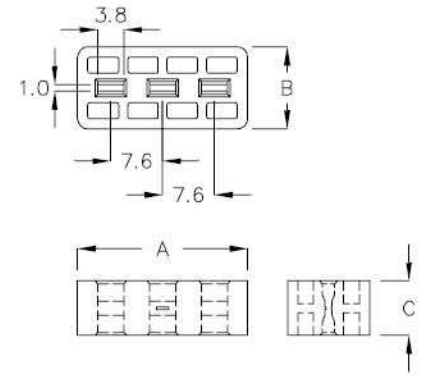


## 端子固定座 MOUNT

13-112-1

- MATERIAL: NYLON 66(UL)
- FLAME CLASS: 94V-0
- COLOR: NATURAL

| PART NO | A    | B    | C   | PACKAGE |
|---------|------|------|-----|---------|
| TGB-25K | 25.0 | 12.0 | 8.0 | 500     |

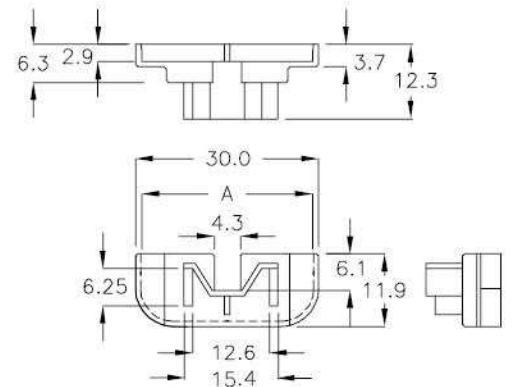


## 插頭絕緣套 SOCKET INSULATOR HOLDER

13-112-2

- MATERIAL: NYLON 66(UL)
- FLAME CLASS: 94V-2
- COLOR: BLACK

| PART NO | A    | PACKAGE |
|---------|------|---------|
| MTY-01  | 28.0 | 200     |

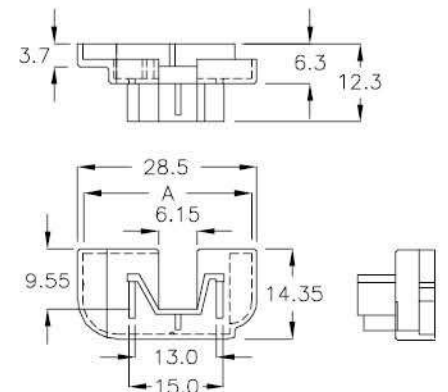


## 插頭絕緣套 SOCKET INSULATOR HOLDER

13-112-3

- MATERIAL: NYLON 66(UL)
- FLAME CLASS: 94V-2
- COLOR: BLACK

| PART NO | A    | PACKAGE |
|---------|------|---------|
| MTY-3F  | 26.7 | 200     |

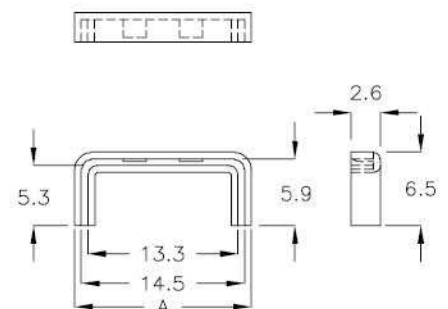


## 固定座 MOUNT

13-112-4

- MATERIAL: NYLON 46(UL)
- FLAME CLASS: 94V-0
- COLOR: BLACK

| PART NO | A    | PACKAGE |
|---------|------|---------|
| MPG-15A | 15.7 | 500     |

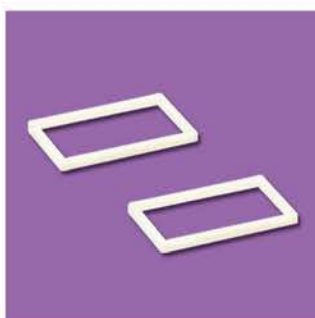
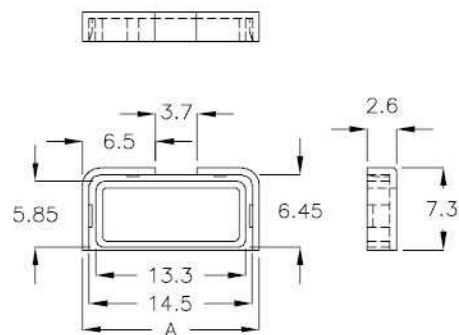




### 固定座 MOUNT |13-113-1|

- MATERIAL: NYLON 46(UL)
- FLAME CLASS: 94V-0
- COLOR: BLACK

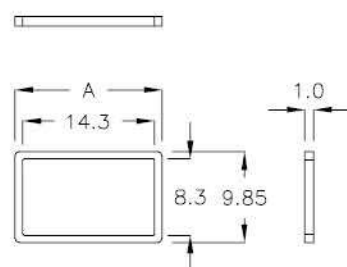
| PART NO  | A    | PACKAGE |
|----------|------|---------|
| MPG-15WF | 15.7 | 500     |



### 固定座 MOUNT |13-113-2|

- MATERIAL: NYLON 66(UL)
- FLAME CLASS: 94V-2
- COLOR: NATURAL

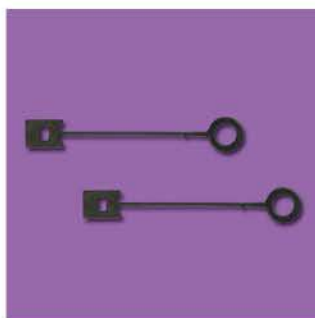
| PART NO | A    | PACKAGE |
|---------|------|---------|
| MWJ-16  | 16.0 | 1000    |



### 銷 PIN |13-113-3|

- MATERIAL: NYLON 66(UL)
- FLAME CLASS: 94V-2
- COLOR: NATURAL

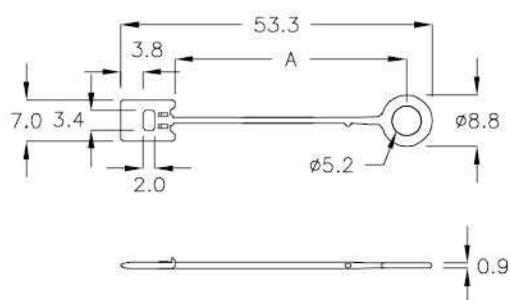
| PART NO | A    | B    | PACKAGE |
|---------|------|------|---------|
| PIN-13  | 13.0 | ∅2.0 | 1000    |



### 固定帶 STRAP TIE |13-113-4|

- MATERIAL: NYLON 66(UL)
- FLAME CLASS: 94V-2
- COLOR: BLACK

| PART NO | A    | PACKAGE |
|---------|------|---------|
| BFA-40  | 39.6 | 500     |

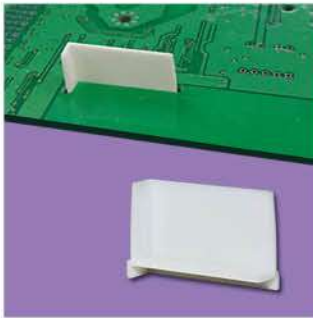
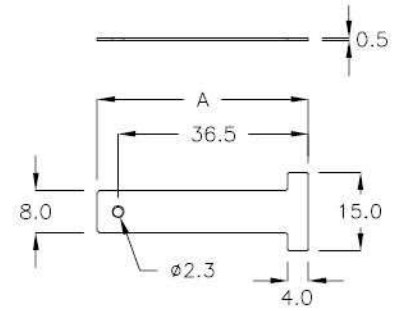




### 固定帶 STRAP TIE |13-114-1|

- MATERIAL: NYLON 66(UL)
- FLAME CLASS: 94V-2
- COLOR: NATURAL

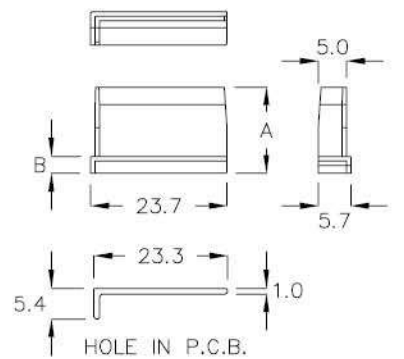
| PART NO | A    | PACKAGE |
|---------|------|---------|
| TPW-40A | 40.5 | 2000    |



### 固定座 MOUNT |13-114-2|

- MATERIAL: NYLON 66(UL)
- FLAME CLASS: 94V-0
- COLOR: NATURAL

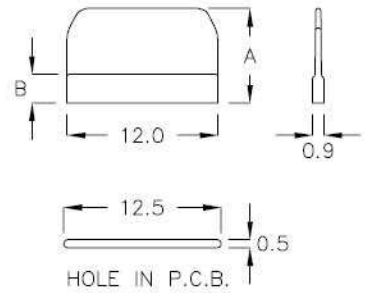
| PART NO | A    | B   | PACKAGE |
|---------|------|-----|---------|
| MPB-03  | 15.0 | 3.0 | 1000    |



### 固定座 MOUNT |13-114-3|

- MATERIAL: PC(UL)
- COLOR: BLACK

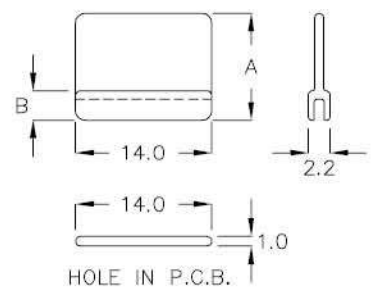
| PART NO  | A   | B   | PACKAGE |
|----------|-----|-----|---------|
| MPB-12FC | 7.5 | 2.3 | 1000    |



### 固定座 MOUNT |13-114-4|

- MATERIAL: NYLON 66(UL)
- FLAME CLASS: 94V-0
- COLOR: NATURAL

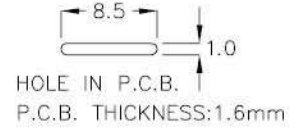
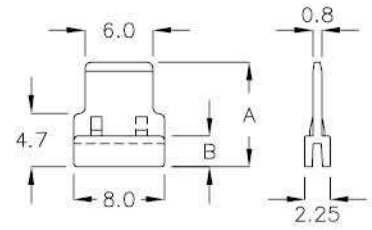
| PART NO | A    | B   | PACKAGE |
|---------|------|-----|---------|
| MPB-3A  | 11.0 | 3.0 | 500     |



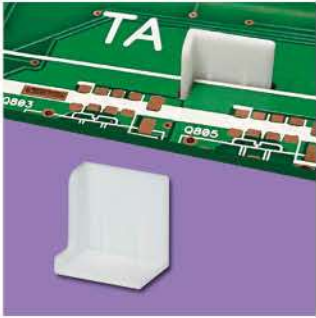


**固定座 MOUNT** |13-115-1|

- MATERIAL: NYLON 66(UL)
- FLAME CLASS: 94V-0
- COLOR: NATURAL

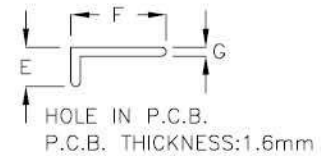
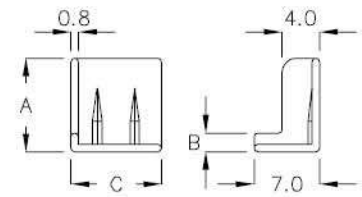


| PART NO | A   | B   | PACKAGE |
|---------|-----|-----|---------|
| MPB-8ST | 9.2 | 2.7 | 1000    |

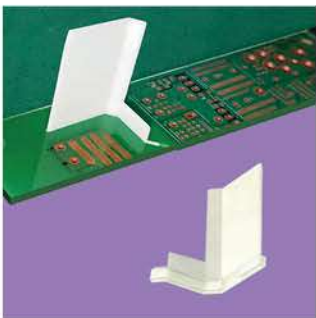


**固定座 MOUNT** |13-115-2|

- MATERIAL: NYLON 66(UL)
- FLAME CLASS: 94V-0
- COLOR: NATURAL, BLACK

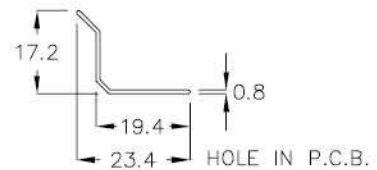
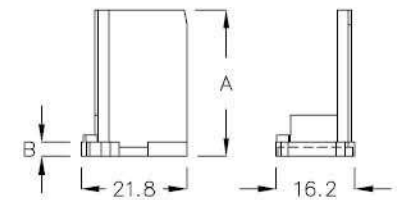


| PART NO  | A    | B   | C   | E    | F    | G   | PACKAGE |
|----------|------|-----|-----|------|------|-----|---------|
| MPB-9FT  | 9.0  | 2.0 | 9.0 | 4.65 | 9.5  | 1.1 | 1000    |
| MPB-10GK | 10.0 | 2.0 | 9.7 | 4.2  | 10.2 | 1.0 |         |



**固定座 MOUNT** |13-115-3|

- MATERIAL: NYLON 66+30%FRP
- FLAME CLASS: 94V-0
- COLOR: NATURAL

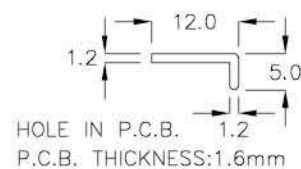
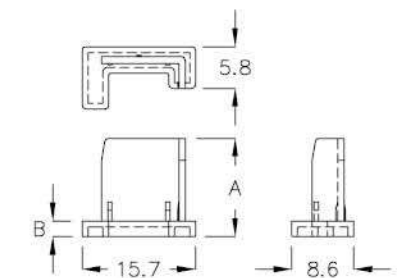


| PART NO | A    | B    | PACKAGE |
|---------|------|------|---------|
| MPB-4A  | 30.2 | 2.95 | 500     |



**固定座 MOUNT** |13-115-4|

- MATERIAL: NYLON 66(UL)
- FLAME CLASS: 94V-0
- COLOR: NATURAL



| PART NO  | A    | B   | PACKAGE |
|----------|------|-----|---------|
| MPB-15GK | 13.6 | 2.2 | 500     |

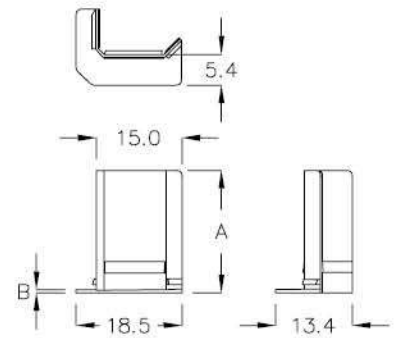


## 固定座 MOUNT

13-116-1

- MATERIAL: NYLON 66(UL)
- FLAME CLASS: 94V-0
- COLOR: BLACK

| PART NO  | A    | B    | PACKAGE |
|----------|------|------|---------|
| MPB-18MD | 21.4 | 0.45 | 500     |

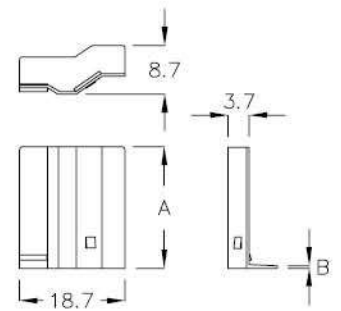


## 固定座 MOUNT

13-116-2

- MATERIAL: NYLON 66(UL)
- FLAME CLASS: 94V-0
- COLOR: BLACK

| PART NO  | A    | B    | PACKAGE |
|----------|------|------|---------|
| MPB-18PQ | 21.4 | 0.45 | 500     |

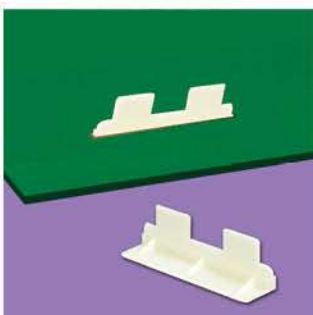
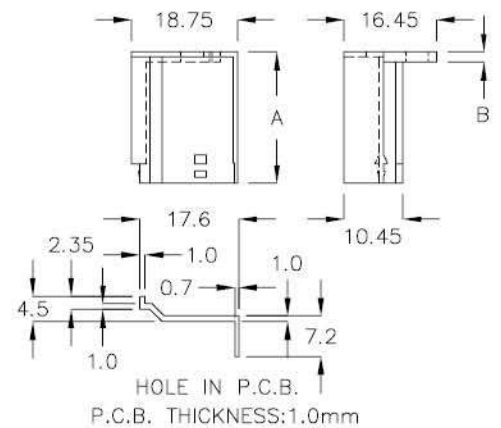


## 固定座 MOUNT

13-116-3

- MATERIAL: NYLON 66(UL)
- FLAME CLASS: 94V-0
- COLOR: NATURAL

| PART NO  | A    | B   | PACKAGE |
|----------|------|-----|---------|
| MPB-18CR | 23.2 | 1.8 | 500     |

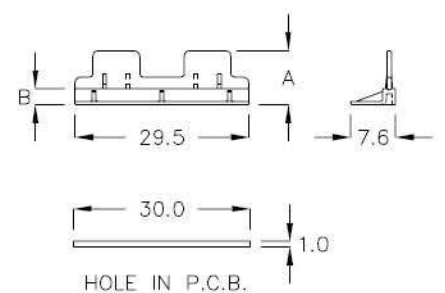


## 固定座 MOUNT

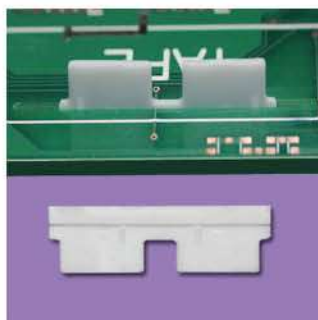
13-116-4

- MATERIAL: NYLON 66(UL)
- FLAME CLASS: 94V-0
- COLOR: NATURAL

| PART NO  | A   | B   | PACKAGE |
|----------|-----|-----|---------|
| MPB-29LY | 9.2 | 2.7 | 500     |



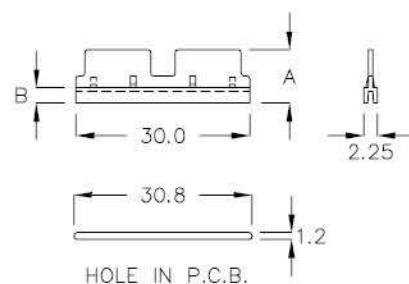




### 固定座 MOUNT |13-117-1|

- MATERIAL: NYLON 66(UL)
- FLAME CLASS: 94V-0
- COLOR: NATURAL

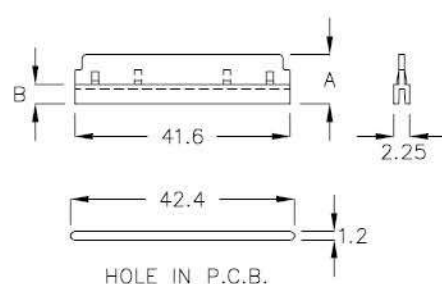
| PART NO  | A   | B   | PACKAGE |
|----------|-----|-----|---------|
| MPB-30KM | 9.2 | 2.7 | 500     |



### 固定座 MOUNT |13-117-2|

- MATERIAL: NYLON 66(UL)
- FLAME CLASS: 94V-0
- COLOR: NATURAL

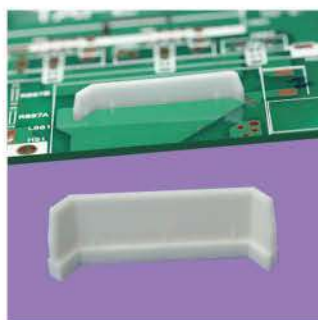
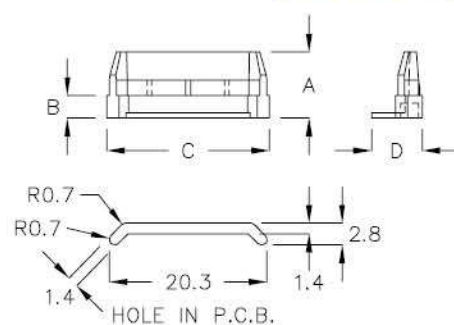
| PART NO  | A   | B   | PACKAGE |
|----------|-----|-----|---------|
| MPB-42QW | 6.8 | 2.7 | 500     |



### 固定座 MOUNT |13-117-3|

- MATERIAL: NYLON 66(UL)
- FLAME CLASS: 94V-0
- COLOR: NATURAL

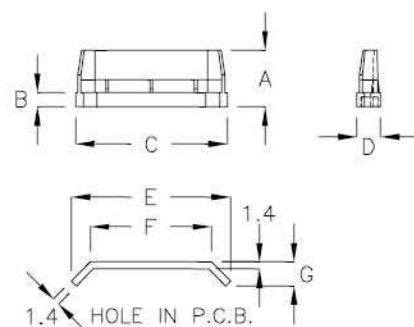
| PART NO  | A   | B   | C    | D   | PACKAGE |
|----------|-----|-----|------|-----|---------|
| MPB-21HT | 8.5 | 2.9 | 20.9 | 6.5 | 1000    |



### 固定座 MOUNT |13-117-4|

- COLOR: NATURAL

| PART NO  | MATERIAL   | A     | B    | C    | D   | E    | F    | G   | PACKAGE |
|----------|------------|-------|------|------|-----|------|------|-----|---------|
| MPB-27SQ | N66 94V-0  | 8.25  | 2.15 | 27.6 | 4.9 | 29.5 | 22.3 | 4.6 | 500     |
| MPB-30J  | N66 94V-0  | 11.55 | 2.95 | 30.8 | 4.8 | 32.4 | 24.6 | 4.9 |         |
| MPB-32HW | N66 94V-0  | 9.05  | 2.95 | 32.8 | 4.9 | 33.0 | 25.8 | 4.6 |         |
| MPB-32K  | N66+30%FRP | 11.55 | 2.95 | 32.8 | 4.9 | 33.0 | 25.8 | 4.6 |         |



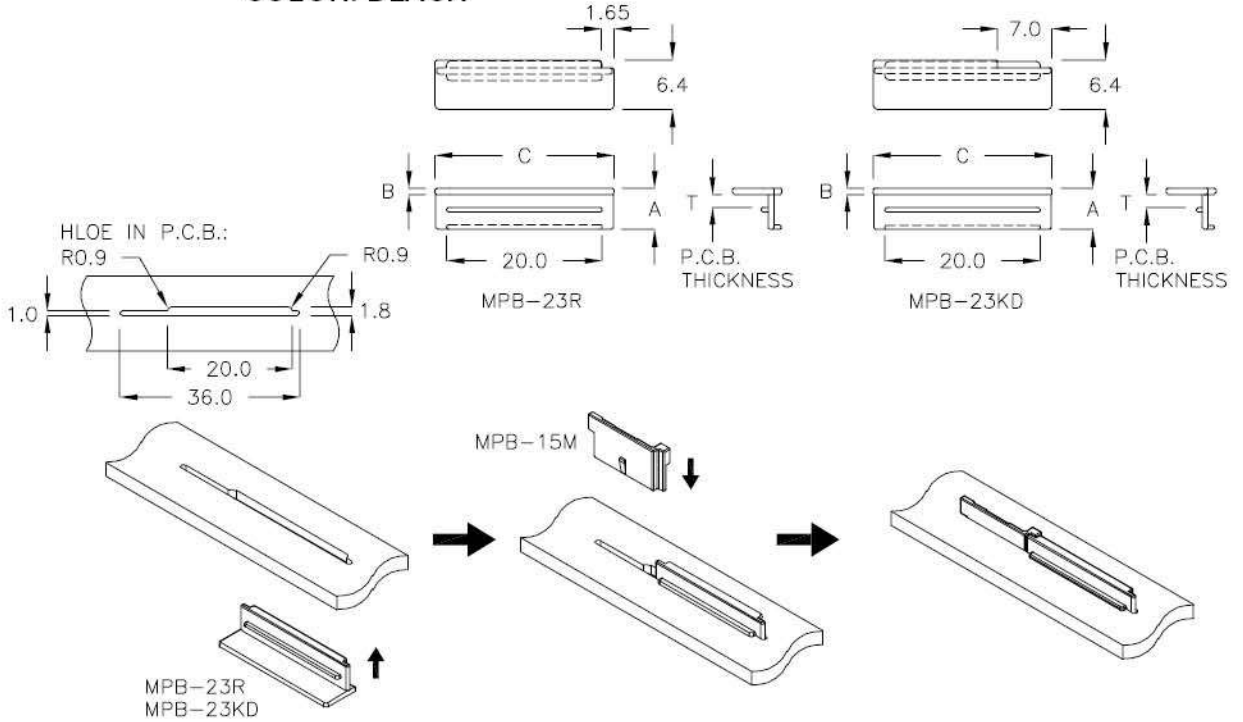
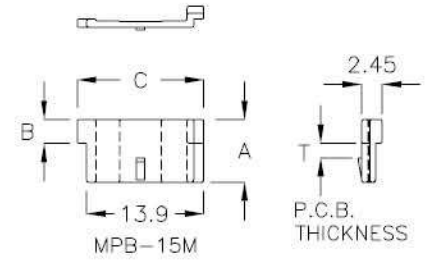


固定座 MOUNT

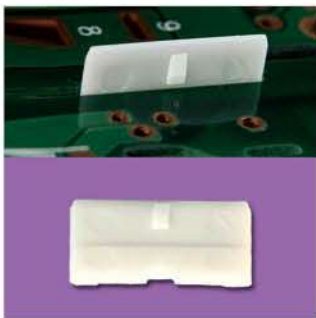
13-118-1

- MPB-15M**  
 • MATERIAL: NYLON 66(UL)  
 • FLAME CLASS: 94V-0  
 • COLOR: NATURAL

- MPB-23R/MPB-23KD**  
 • MATERIAL: PPS(UL)  
 • FLAME CLASS: 94V-0  
 • COLOR: BLACK



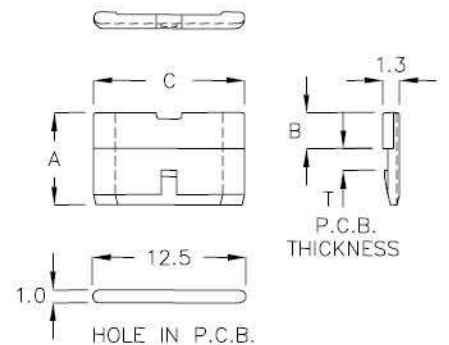
| PART NO  | A   | B   | C    | T<br>CHASSIS<br>THICKNESS | PACKAGE |
|----------|-----|-----|------|---------------------------|---------|
| MPB-15M  | 7.4 | 2.8 | 15.0 | 1.6                       | 1000    |
| MPB-23R  | 5.3 | 0.8 | 23.0 | 1.6                       | 500     |
| MPB-23KD | 5.3 | 0.8 | 23.0 | 1.6                       |         |



固定座 MOUNT

13-118-2

- MATERIAL: NYLON 66(UL)  
 • FLAME CLASS: 94V-0  
 • COLOR: NATURAL

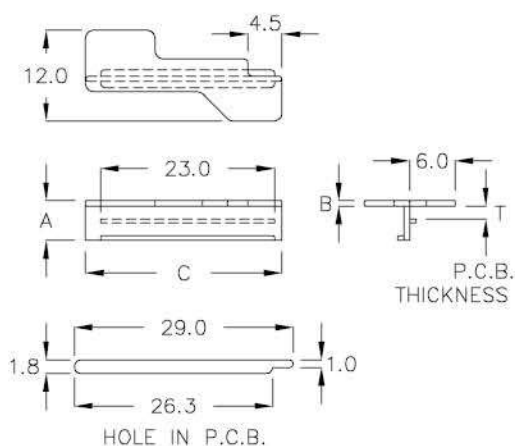


| PART NO  | A    | B   | C    | T<br>P.C.B.<br>THICKNESS | PACKAGE |
|----------|------|-----|------|--------------------------|---------|
| MPB-11TN | 7.2  | 2.8 | 12.0 | 1.6                      | 1000    |
| MPB-11GL | 14.0 | 2.8 | 12.0 | 1.6                      | 500     |

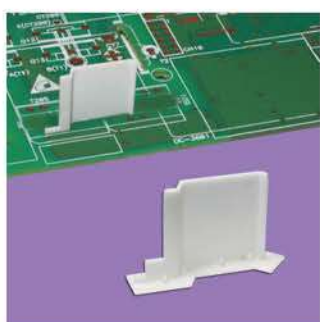


### 固定座 MOUNT |13-119-1|

- MATERIAL: PPS(UL)
- FLAME CLASS: 94V-0
- COLOR: BLACK

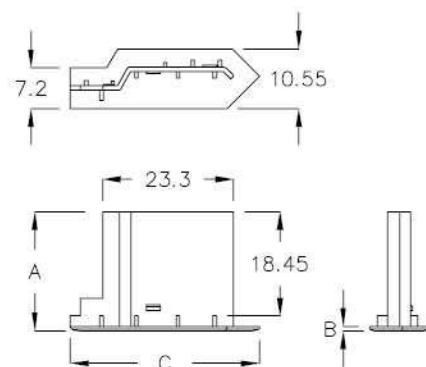


| PART NO  | A   | B   | C    | T<br>P.C.B.<br>THICKNESS | PACKAGE |
|----------|-----|-----|------|--------------------------|---------|
| MPB-26CK | 5.3 | 0.7 | 26.0 | 1.6                      | 500     |



### 固定座 MOUNT |13-119-2|

- MATERIAL: NYLON 66(UL)
- FLAME CLASS: 94V-0
- COLOR: NATURAL

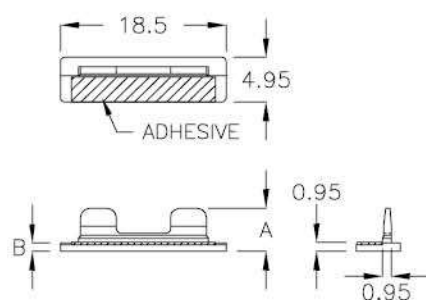


| PART NO  | A    | B   | C    | PACKAGE |
|----------|------|-----|------|---------|
| MPB-35TK | 21.1 | 0.8 | 33.5 | 500     |



### 固定座 MOUNT |13-119-3|

- MATERIAL: PC(UL)
- COLOR: BLACK
- ADHESIVE TAPE: JUSTAPE



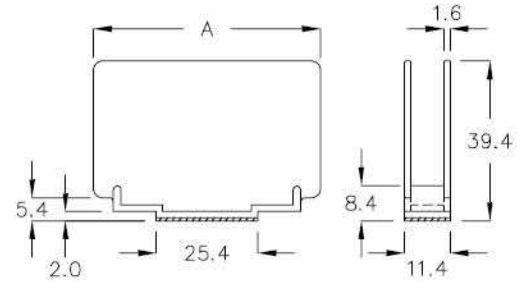
| PART NO  | A   | B   | PACKAGE |
|----------|-----|-----|---------|
| HCHA-18M | 4.8 | 0.9 | 1000    |



### 固定座 MOUNT |13-120-1|

- MATERIAL: NYLON 66(UL)
- FLAME CLASS: 94V-2
- COLOR: BLACK
- ADHESIVE TAPE: 3M

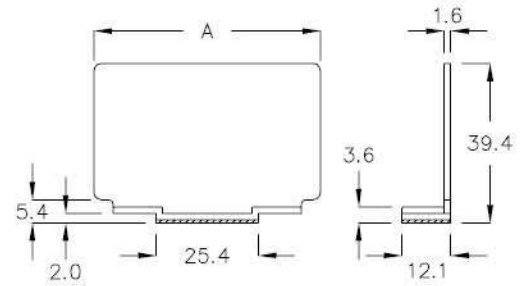
| PART NO  | A    | PACKAGE |
|----------|------|---------|
| MPBH-56K | 56.5 | 100     |



### 固定座 MOUNT |13-120-2|

- MATERIAL: NYLON 66(UL)
- FLAME CLASS: 94V-2
- COLOR: BLACK
- ADHESIVE TAPE: 3M

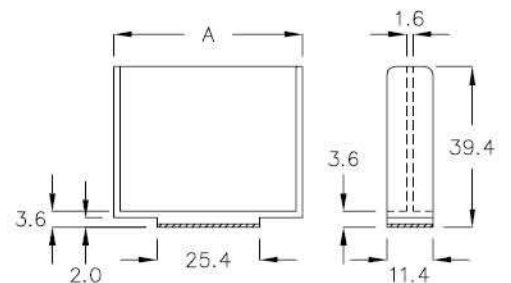
| PART NO  | A    | PACKAGE |
|----------|------|---------|
| MPBL-56A | 56.5 | 100     |



### 固定座 MOUNT |13-120-3|

- MATERIAL: NYLON 66(UL)
- FLAME CLASS: 94V-2
- COLOR: BLACK
- ADHESIVE TAPE: 3M

| PART NO  | A    | PACKAGE |
|----------|------|---------|
| MPBT-46C | 46.8 | 100     |





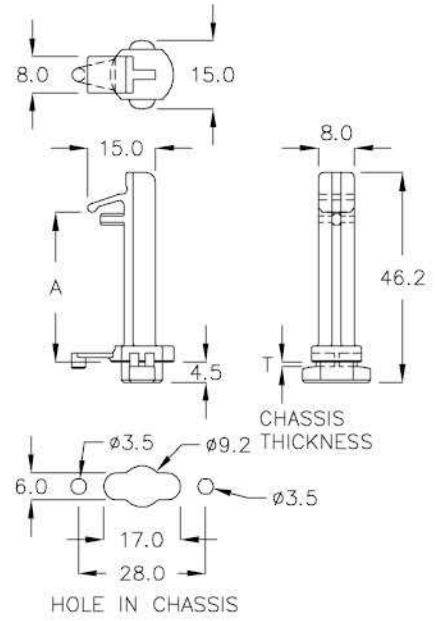
固定座 MOUNT

13-121-1

- MATERIAL: POM(UL)
- FLAME CLASS: 94HB
- COLOR: NATURAL

INSERT WITH 90 DEGREE ANGLE AND PRESS DOWN

| PART NO  | A    | T<br>CHASSIS<br>THICKNESS | PACKAGE |
|----------|------|---------------------------|---------|
| MGS-46CH | 32.9 | 1.0                       | 100     |

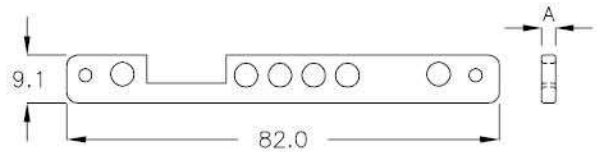


PIN 固定座 PIN MOUNT

13-121-2

- MATERIAL: NYLON 66+30%FRP
- FLAME CLASS: 94V-0
- COLOR: BLACK

| PART NO | A   | PACKAGE |
|---------|-----|---------|
| DC-01   | 2.7 | 500     |

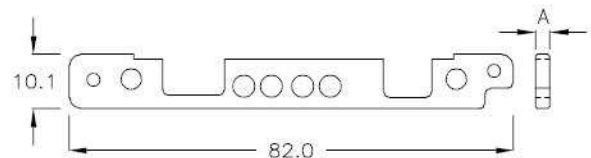


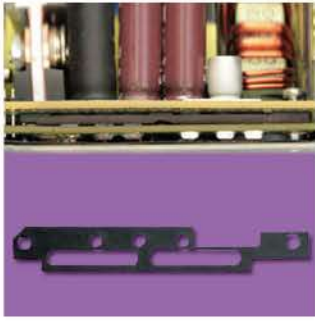
PIN 固定座 PIN MOUNT

13-121-3

- MATERIAL: NYLON 66+25%FRP
- FLAME CLASS: 94V-0
- COLOR: BLACK

| PART NO | A   | PACKAGE |
|---------|-----|---------|
| DC-02   | 2.7 | 500     |

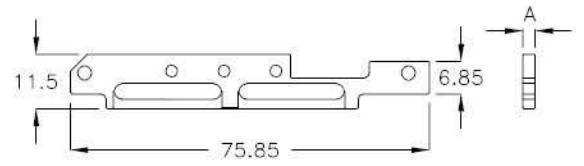




## PIN 固定座 PIN MOUNT |13-122-1|

- MATERIAL: NYLON 66+30%FRP
- FLAME CLASS: 94V-0
- COLOR: BLACK

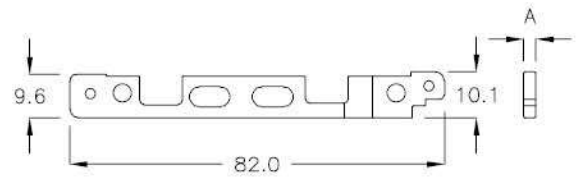
| PART NO | A   | PACKAGE |
|---------|-----|---------|
| DC-2Q   | 2.6 | 200     |



## PIN 固定座 PIN MOUNT |13-122-2|

- MATERIAL: NYLON 66+30%FRP
- FLAME CLASS: 94V-0
- COLOR: BLACK

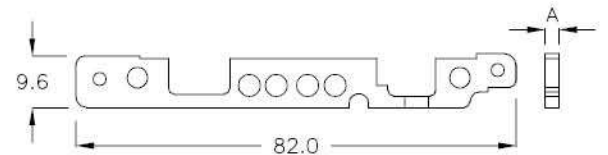
| PART NO | A   | PACKAGE |
|---------|-----|---------|
| DC-2RM  | 2.7 | 200     |



## PIN 固定座 PIN MOUNT |13-122-3|

- MATERIAL: NYLON 46(UL)
- FLAME CLASS: 94V-0
- COLOR: BLACK

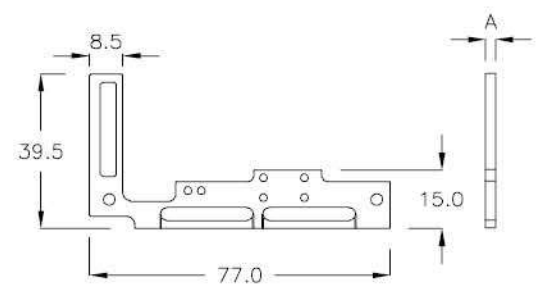
| PART NO | A   | PACKAGE |
|---------|-----|---------|
| DC-3F   | 2.6 | 200     |



## PIN 固定座 PIN MOUNT |13-122-4|

- MATERIAL: NYLON 46(UL)
- FLAME CLASS: 94V-0
- COLOR: BLACK

| PART NO | A   | PACKAGE |
|---------|-----|---------|
| DC-2H   | 2.6 | 200     |

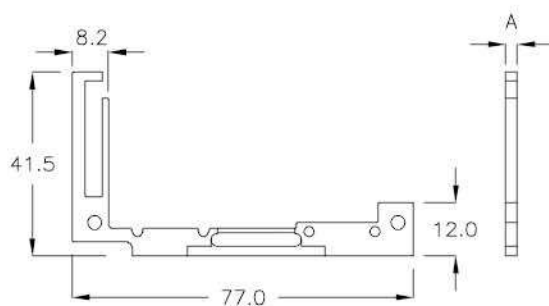




## PIN 固定座 PIN MOUNT |13-123-1|

- MATERIAL: PPS
- FLAME CLASS: 94V-0
- COLOR: BLACK

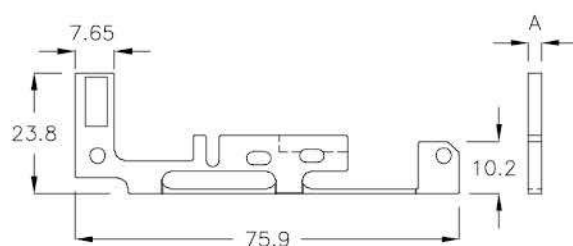
| PART NO | A   | PACKAGE |
|---------|-----|---------|
| DC-4LS  | 2.7 | 200     |



## PIN 固定座 PIN MOUNT |13-123-2|

- MATERIAL: NYLON 66+30%FRP
- FLAME CLASS: 94V-0
- COLOR: BLACK

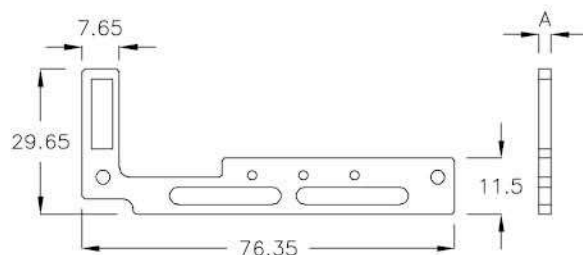
| PART NO | A   | PACKAGE |
|---------|-----|---------|
| DC-4QF  | 2.6 | 200     |



## PIN 固定座 PIN MOUNT |13-123-3|

- MATERIAL: NYLON 66+30%FRP
- FLAME CLASS: 94V-0
- COLOR: BLACK

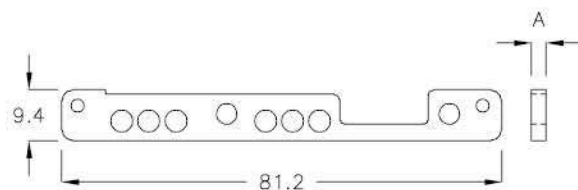
| PART NO | A   | PACKAGE |
|---------|-----|---------|
| DC-4RK  | 2.6 | 200     |



## PIN 固定座 PIN MOUNT |13-123-4|

- MATERIAL: NYLON 66+30%FRP
- FLAME CLASS: 94V-0
- COLOR: BLACK

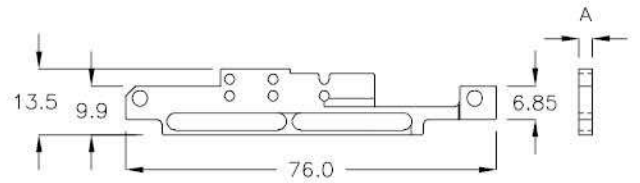
| PART NO | A   | PACKAGE |
|---------|-----|---------|
| DC-5MA  | 2.7 | 200     |



PIN 固定座 PIN MOUNT |13-124-1|

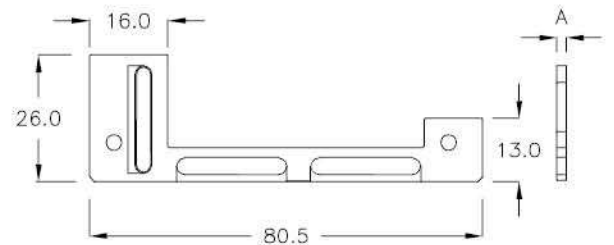
- MATERIAL: NYLON 46(UL)
- FLAME CLASS: 94V-0
- COLOR: BLACK

| PART NO | A   | PACKAGE |
|---------|-----|---------|
| DC-6CN  | 2.7 | 200     |

PIN 固定座 PIN MOUNT |13-124-2|

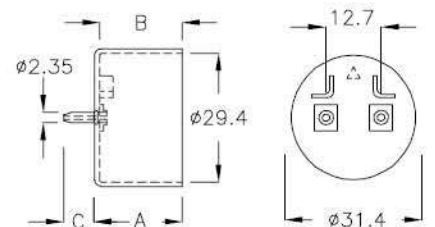
- MATERIAL: NYLON 46(UL)
- FLAME CLASS: 94V-0
- COLOR: BLACK

| PART NO | A   | PACKAGE |
|---------|-----|---------|
| DC-7XK  | 2.6 | 200     |

燈帽 LAMP TUBE CAP |13-124-3|

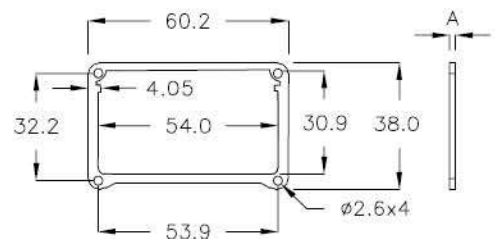
- MATERIAL: PC
- FLAME CLASS: 94V-0
- COLOR: WHITE

| FOR T9 LAMP |      |      |     |         |
|-------------|------|------|-----|---------|
| PART NO     | A    | B    | C   | PACKAGE |
| T9A-3C      | 20.0 | 18.8 | 7.1 | 100     |

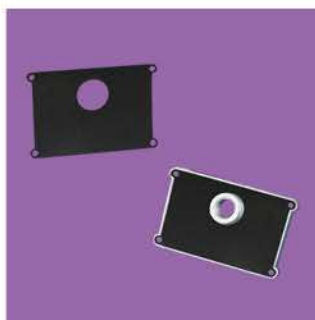
墊圈 GASKET |13-124-4|

- MATERIAL: SILICONE
- FLAME CLASS: 94V-0
- COLOR: BLACK

| PART NO | A   | PACKAGE |
|---------|-----|---------|
| LRA-60  | 1.7 | 500     |



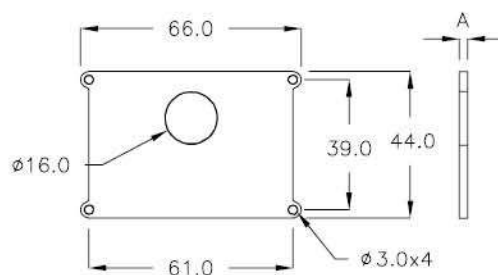




## 墊片 SILICONE PAD |13-125-1|

- MATERIAL: SILICONE
- FLAME CLASS: 94V-0
- COLOR: BLACK

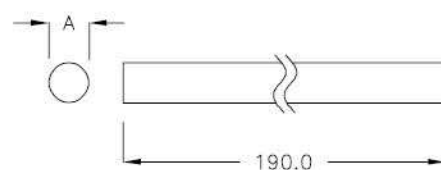
| PART NO | A   | PACKAGE |
|---------|-----|---------|
| GCA-66  | 0.8 | 200     |



## 膠條 SILICONE TIE |13-125-2|

- MATERIAL: SILICONE
- COLOR: BLACK

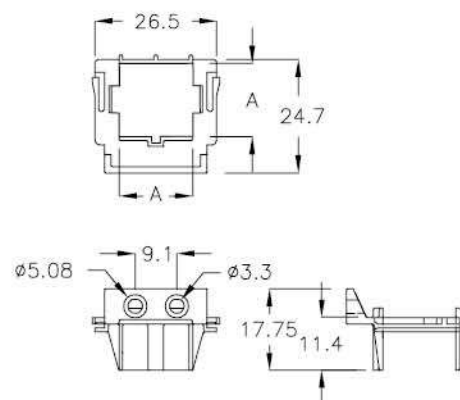
| PART NO | A    | PACKAGE |
|---------|------|---------|
| LPL-2D  | ∅1.0 | 500     |



## 固定座 MOUNT |13-125-3|

- MATERIAL: ABS+PC(UL)
- FLAME CLASS: 94V-0
- COLOR: NATURAL, BLACK

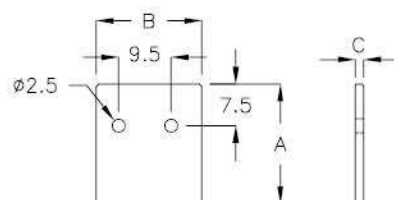
| PART NO | A    | PACKAGE |
|---------|------|---------|
| MPW-24Q | 16.0 | 200     |



## 固定座 MOUNT |13-125-4|

- MATERIAL: NYLON 66(UL)
- FLAME CLASS: 94V-2
- COLOR: NATURAL

| PART NO | A    | B    | C   | PACKAGE |
|---------|------|------|-----|---------|
| MDD-21H | 21.5 | 19.0 | 1.5 | 500     |

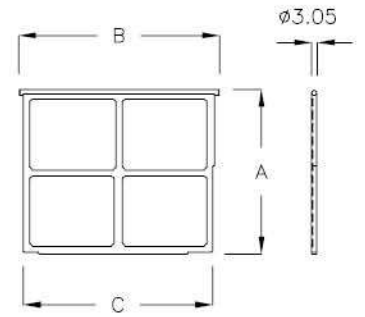




## 防塵蓋 COVER

13-126-1

- MATERIAL: NYLON 66(UL)
- FLAME CLASS: 94V-2
- COLOR: BLACK



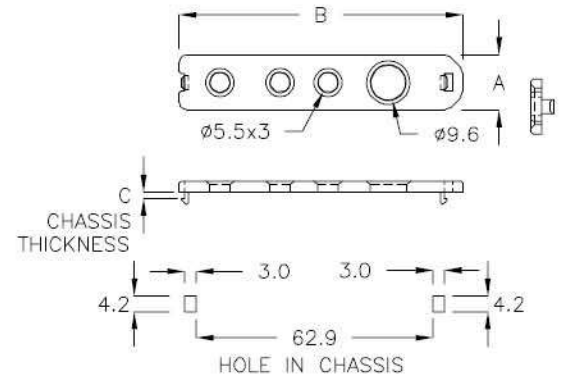
| PART NO  | A    | B     | C    | PACKAGE |
|----------|------|-------|------|---------|
| DUA-103C | 84.4 | 103.2 | 97.0 | 20      |
| DUA-105K | 84.4 | 105.2 | 98.9 |         |



## 固定座 MOUNT

13-126-2

- MATERIAL: ABS+PC(UL)
- FLAMECLASS: 94V-0
- COLOR: BLACK



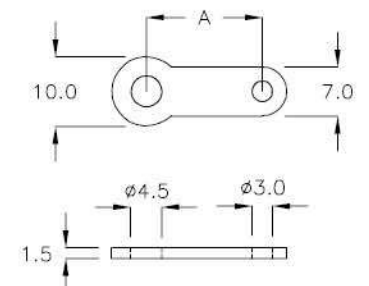
| PART NO | A    | B    | C<br>CHASSIS<br>THICKNESS | PACKAGE |
|---------|------|------|---------------------------|---------|
| MGW-75  | 14.6 | 75.0 | 1.6                       | 100     |



## 固定帶 STRAP MOUNT

13-126-3

- MATERIAL: SILICONE
- FLAME CLASS: 94V-0
- COLOR: BLACK



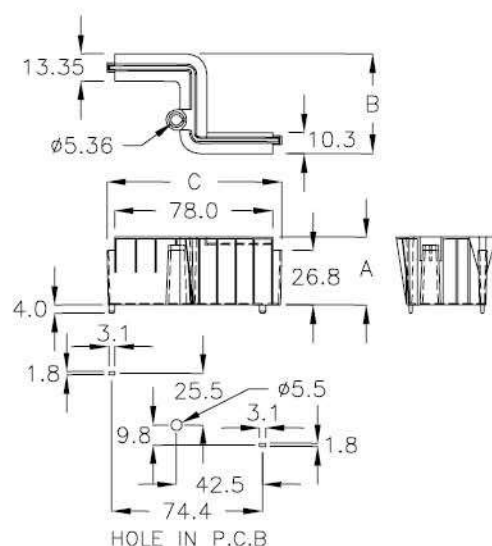
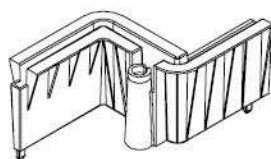
| PART NO | A    | PACKAGE |
|---------|------|---------|
| DHM-25A | 16.7 | 1000    |



## 固定座 MOUNT |13-127-1|

- MATERIAL: NYLON 66(UL)
- FLAME CLASS: 94V-0
- COLOR: NATURAL

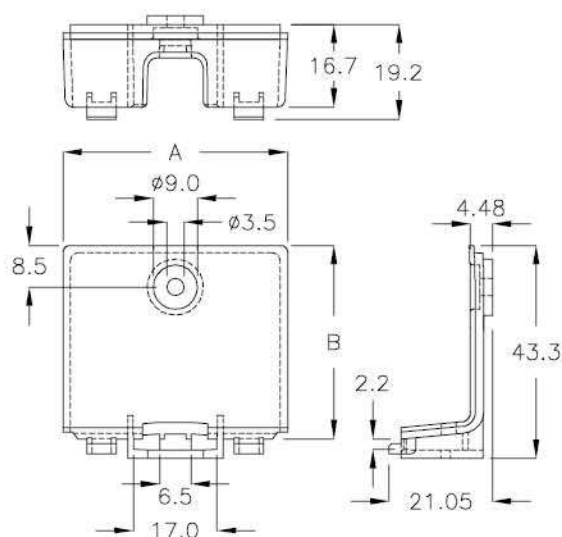
| PART NO  | A    | B     | C     | PACKAGE |
|----------|------|-------|-------|---------|
| MPV-86GT | 33.5 | 49.15 | 86.25 | 50      |



## 電源保護蓋 COVER |13-127-2|

- MATERIAL: ABS+PC(UL)
- FLAME CLASS: 94V-0
- COLOR: BLACK

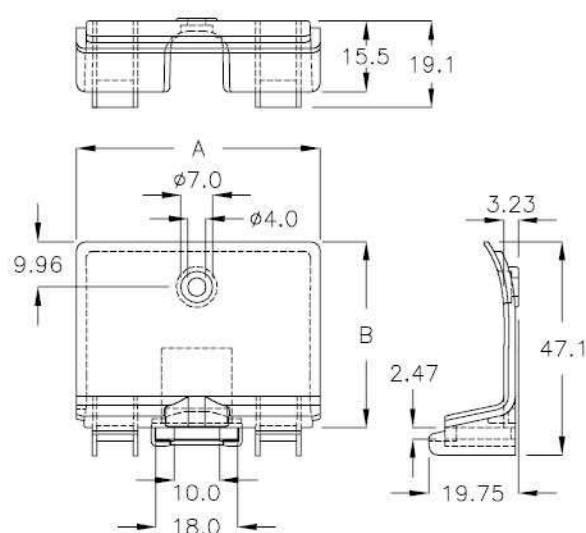
| PART NO  | A    | B     | PACKAGE |
|----------|------|-------|---------|
| MXF-44GN | 45.7 | 39.35 | 20      |



## 電源保護蓋 COVER |13-127-3|

- MATERIAL: ABS+PC(UL)
- FLAME CLASS: 94V-0
- COLOR: BLACK

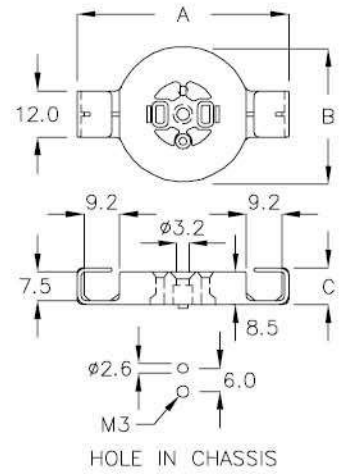
| PART NO  | A    | B    | PACKAGE |
|----------|------|------|---------|
| MXF-53TK | 53.7 | 41.0 | 20      |





光纖固定座 OPTICAL FIBER MOUNT 13-128-1

- MATERIAL: NYLON 66(UL)
- FLAME CLASS: 94V-2
- COLOR: NATURAL

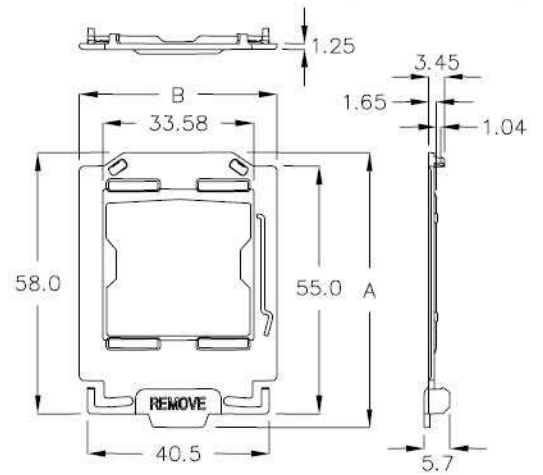


| PART NO | A    | B     | C   | PACKAGE |
|---------|------|-------|-----|---------|
| VVC-55F | 54.8 | φ35.0 | 9.5 | 200     |



CPU 插座蓋 CPU SOCKET COVER 13-128-2

- MATERIAL: PC(UL)
- COLOR: BLACK

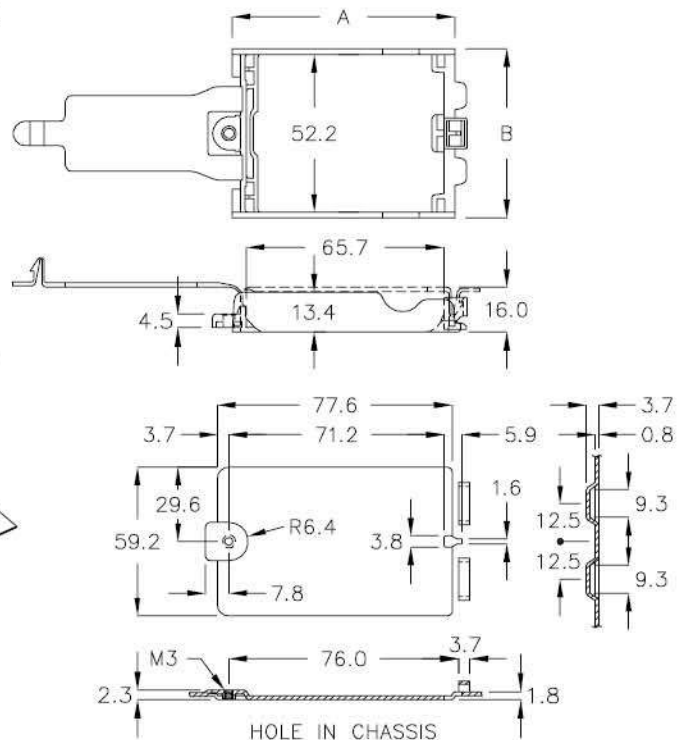


| PART NO  | A    | B    | PACKAGE |
|----------|------|------|---------|
| HFX-61CP | 61.0 | 44.0 | 100     |

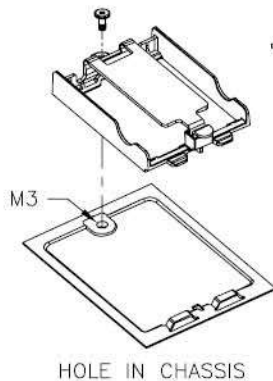


電池盒 BATTERY BRACKET 13-128-3

- MATERIAL: NYLON 66(UL)
- FLAME CLASS: 94V-0
- COLOR: BLACK
- USE M3 SCREW

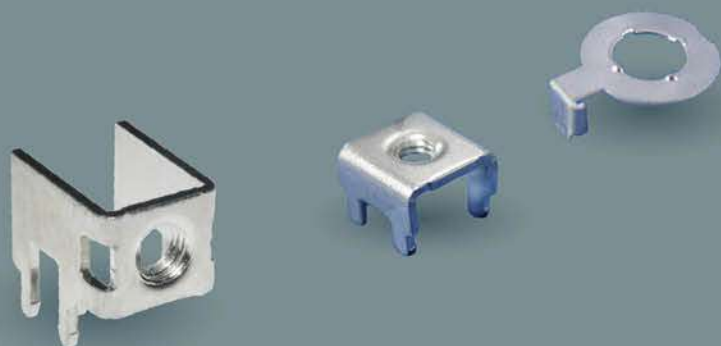


| PART NO | A    | B    | PACKAGE |
|---------|------|------|---------|
| MVJ-65H | 73.5 | 55.8 | 50      |



端子附件  
CONNECTORS

14



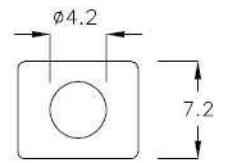
五金

WIRE CLIPS, TEST PIN



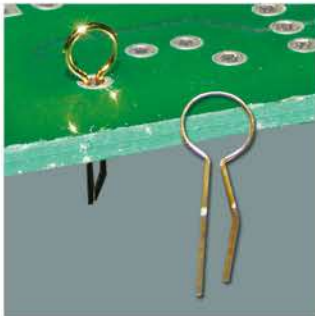
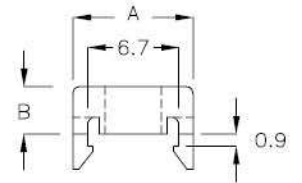
端子隔離座 CONNECTOR SADDLE 14-2-1

- MATERIAL: NYLON 66(UL)
- FLAME CLASS: 94V-2
- COLOR: BLACK



| PART NO | A   | B   | PACKAGE |
|---------|-----|-----|---------|
| P-2     | 8.7 | 3.5 | 1000    |
| P-2C    | 8.7 | 4.5 |         |

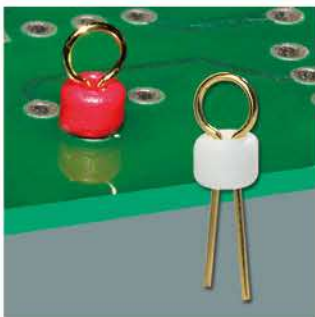
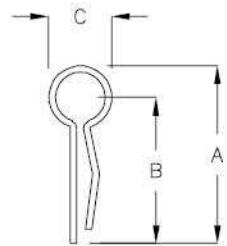
★ TO BE USED WITH P.G. PART JH-8 (Page 14-4-2)



測試點 TEST PIN 14-2-2

- MATERIAL: PHOSPHOR BRONZE WIRE
- PLATING: GOLD
- COLOR: GOLD
- HOLE IN P.C.B.:  $\phi 0.9 \sim \phi 1.0$

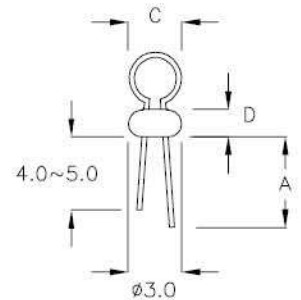
| PART NO | A     | B    | C          | PACKAGE |
|---------|-------|------|------------|---------|
| JT-0    | 9.5   | 8.1  | $\phi 2.8$ | 1000    |
| JT-1S   | 10.65 | 8.75 | $\phi 3.8$ |         |



測試點 TEST PIN 14-2-3

- MATERIAL: PHOSPHOR BRONZE WIRE
- PLATING: GOLD
- PLASTIC MATERIAL: PBT
- COLOR: RED, YELLOW, GREEN, BLUE, BLACK, WHITE
- HOLE IN P.C.B.:  $\phi 0.9 \sim \phi 1.0$

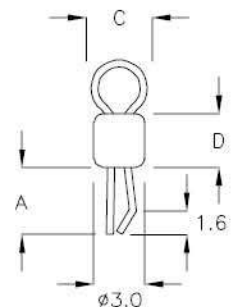
| PART NO | A       | C          | D   | PACKAGE |
|---------|---------|------------|-----|---------|
| JT-1P   | 5.0~6.0 | $\phi 3.1$ | 2.2 | 1000    |



測試點 TEST PIN 14-2-4

- MATERIAL: PHOSPHOR BRONZE WIRE
- PLATING: GOLD
- PLASTIC MATERIAL: PBT
- COLOR: GOLD, YELLOW
- HOLE IN P.C.B.:  $\phi 0.9 \sim \phi 1.0$

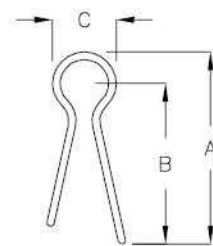
| PART NO | A       | C          | D   | PACKAGE |
|---------|---------|------------|-----|---------|
| JT-1Q   | 3.6~4.0 | $\phi 3.1$ | 3.3 | 1000    |





測試點 TEST PIN 14-3-1

- MATERIAL: PHOSPHOR BRONZE WIRE
- PLATING: GOLD
- COLOR: GOLD
- HOLE IN P.C.B.:  $\phi 0.9 \sim \phi 1.0$

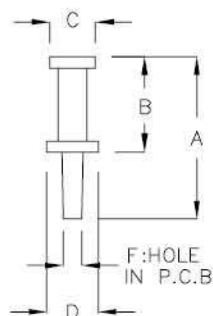


| PART NO | A    | B    | C          | PACKAGE |
|---------|------|------|------------|---------|
| JT-1N   | 10.2 | 8.55 | $\phi 3.3$ | 1000    |

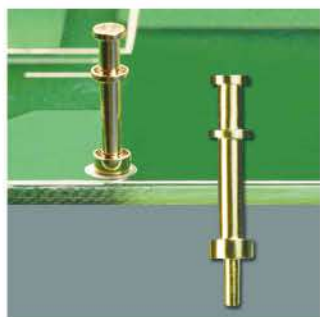


測試點 TEST PIN 14-3-2

- MATERIAL: BRASS
- PLATING: GOLD
- COLOR: GOLD

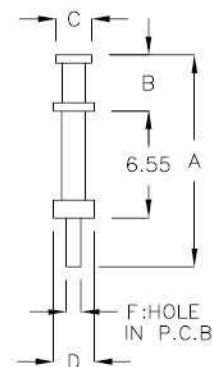


| PART NO | A   | B   | C          | D          | F          | PACKAGE |
|---------|-----|-----|------------|------------|------------|---------|
| JT-8    | 7.9 | 4.7 | $\phi 2.2$ | $\phi 2.5$ | $\phi 1.0$ | 1000    |

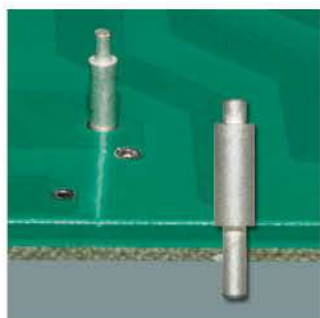


測試點 TEST PIN 14-3-3

- MATERIAL: BRASS
- PLATING: GOLD
- COLOR: GOLD

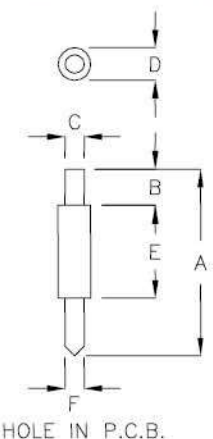


| PART NO | A    | B    | C          | D          | F          | PACKAGE |
|---------|------|------|------------|------------|------------|---------|
| JT-13   | 13.0 | 3.45 | $\phi 2.2$ | $\phi 2.5$ | $\phi 0.9$ | 1000    |



測試點 TEST PIN 14-3-4

- MATERIAL: BRASS
- PLATING: TIN



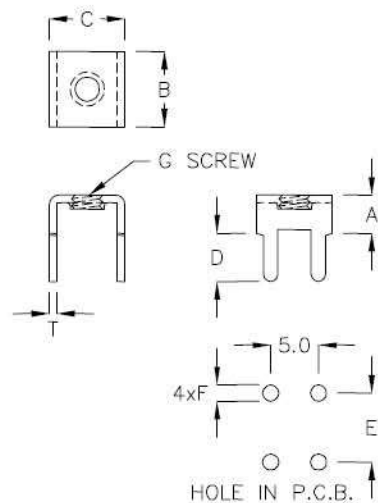
| PART NO  | A    | B   | C           | D          | E   | F HOLE IN P.C.B. | PACKAGE |
|----------|------|-----|-------------|------------|-----|------------------|---------|
| JT-08D   | 8.5  | 2.0 | $\phi 1.0$  | $\phi 1.8$ | 2.0 | $\phi 1.05$      | 1000    |
| JT-9A    | 9.5  | 1.0 | $\phi 1.0$  | $\phi 1.8$ | 5.0 | $\phi 1.05$      |         |
| ★ JT-9DM | 9.0  | 2.5 | $\phi 2.0$  | $\phi 2.8$ | 2.0 | $\phi 2.05$      |         |
| JT-10    | 10.0 | 2.0 | $\phi 1.04$ | $\phi 1.8$ | 4.5 | $\phi 1.05$      |         |



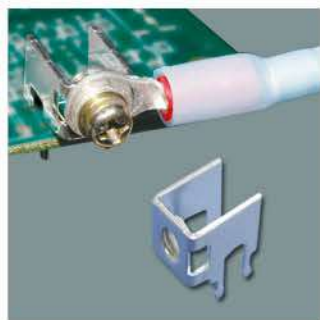
端子 CONNECTOR

14-4-1

- MATERIAL: BRASS
- PLATING: TIN



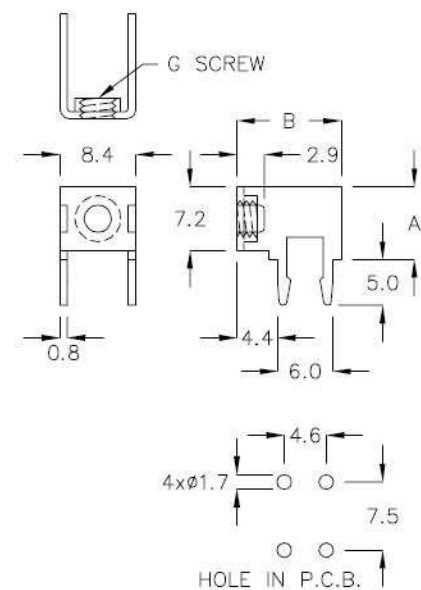
| PART NO | A   | B   | C    | D   | E     | F     | G<br>SCREW | T   | PACKAGE |
|---------|-----|-----|------|-----|-------|-------|------------|-----|---------|
| JH-4A   | 4.0 | 7.9 | 7.9  | 2.5 | 7.2   | ∅1.75 | M3         | 0.8 | 500     |
| JH-4    | 4.0 | 7.9 | 7.9  | 5.0 | 7.2   | ∅1.75 | M3         | 0.8 |         |
| JH-4L   | 8.5 | 9.2 | 11.2 | 4.0 | 10.1  | ∅1.8  | M4         | 1.0 | 200     |
| JH-04K  | 8.5 | 9.0 | 11.1 | 4.0 | 10.15 | ∅1.8  | M5         | 1.0 |         |
| JH-5    | 5.0 | 9.2 | 11.2 | 4.0 | 10.15 | ∅1.85 | M4         | 1.0 | 500     |



端子 CONNECTOR

14-4-2

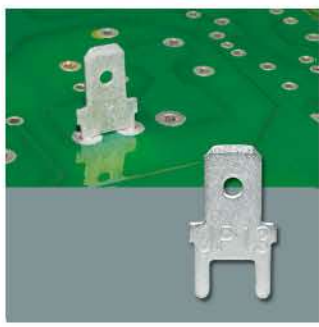
- MATERIAL: BRASS
- PLATING: TIN
- C: SCREW



| PART NO | A   | B    | G<br>SCREW | PACKAGE |
|---------|-----|------|------------|---------|
| JH-8    | 8.0 | 11.4 | M4         | 500     |
| JH-8M3  | 8.0 | 11.4 | M3         |         |

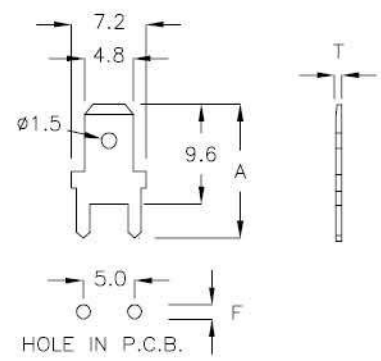
TO BE USED WITH P.G. PART P-2 (Page 14-2-1)



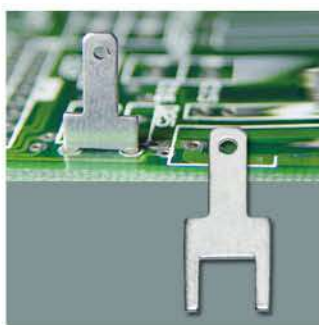


端子 CONNECTOR | 14-5-1 |

- MATERIAL: BRASS
- PLATING: TIN

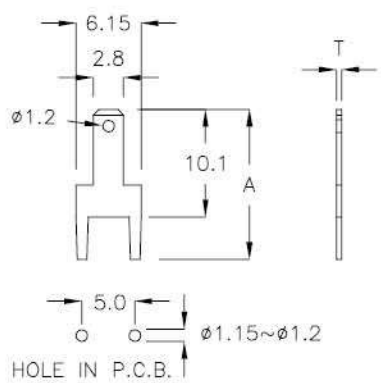


| PART NO | A    | F     | T   | PACKAGE |
|---------|------|-------|-----|---------|
| JP-13   | 13.1 | ∅1.35 | 0.5 | 2000    |
| JP-13T  | 13.1 | ∅1.4  | 0.8 |         |

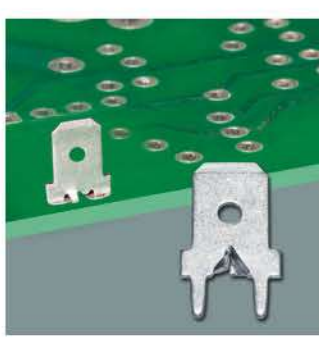


端子 CONNECTOR | 14-5-2 |

- MATERIAL: BRASS
- PLATING: TIN

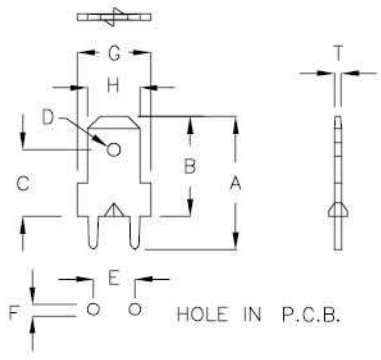


| PART NO | A    | T   | PACKAGE |
|---------|------|-----|---------|
| JP-14A  | 14.1 | 0.5 | 2000    |



端子 CONNECTOR | 14-5-3 |

- MATERIAL: BRASS
- PLATING: TIN



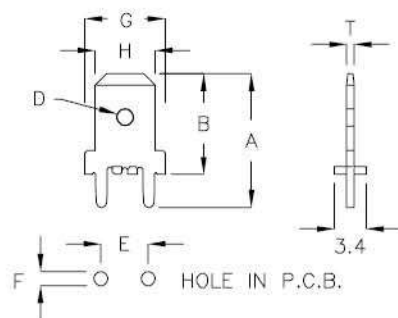
| PART NO | A    | B    | C   | D    | E   | F     | G   | H   | T   | PACKAGE |
|---------|------|------|-----|------|-----|-------|-----|-----|-----|---------|
| JP-14B  | 13.7 | 10.2 | 5.4 | ∅1.7 | 5.0 | ∅1.48 | 8.2 | 6.3 | 0.8 | 2000    |
| JP-14C  | 14.1 | 10.7 | 6.0 | ∅1.8 | 5.0 | ∅1.43 | 8.6 | 6.3 | 0.8 |         |
| JP-16B  | 16.2 | 12.2 | 8.0 | ∅1.6 | 5.0 | ∅1.38 | 8.8 | 6.3 | 0.8 |         |



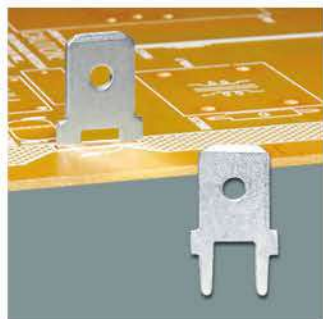
端子 CONNECTOR

14-6-1

- MATERIAL: BRASS
- PLATING: TIN



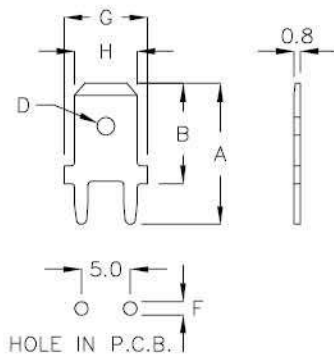
| PART NO | A    | B    | D    | E   | F    | G   | H   | T   | PACKAGE |
|---------|------|------|------|-----|------|-----|-----|-----|---------|
| JP-14P  | 14.1 | 10.6 | ø1.8 | 5.0 | ø1.5 | 8.5 | 6.4 | 0.8 | 1000    |



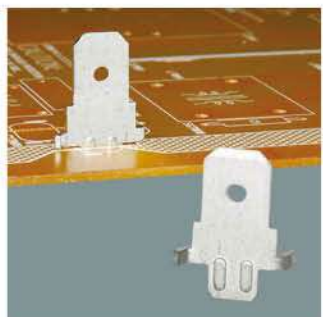
端子 CONNECTOR

14-6-2

- MATERIAL: BRASS
- PLATING: TIN



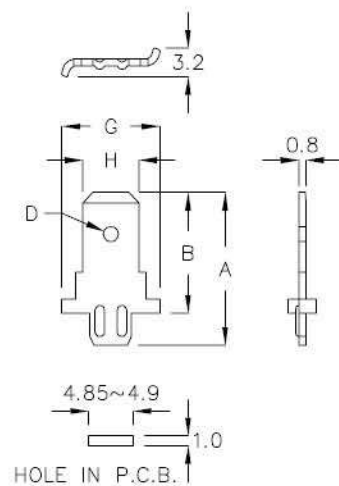
| PART NO | A    | B    | D    | F          | G   | H   | PACKAGE |
|---------|------|------|------|------------|-----|-----|---------|
| JP-14   | 14.0 | 10.2 | ø2.0 | ø1.35~ø1.4 | 8.0 | 6.4 | 2000    |
| JP-16A  | 16.3 | 12.3 | ø1.6 | ø1.7       | 9.0 | 6.5 |         |
| JP-18   | 18.0 | 13.6 | ø1.5 | ø1.65~ø1.7 | 8.1 | 6.3 |         |



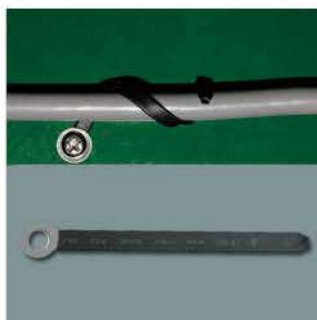
端子 CONNECTOR

14-6-3

- MATERIAL: BRASS
- PLATING: TIN

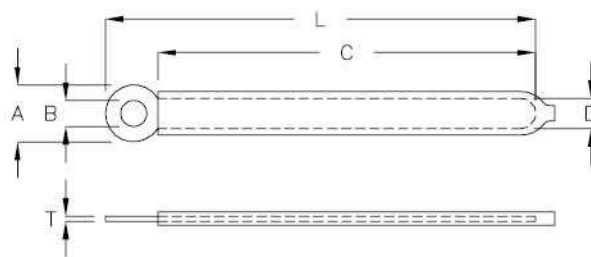


| PART NO | A     | B     | D    | G    | H   | PACKAGE |
|---------|-------|-------|------|------|-----|---------|
| JP-16D  | 16.35 | 12.75 | ø1.7 | 11.1 | 6.4 | 2000    |



## 電線固定片 LOCKING CABLE CLIP ———— 14-7-1

- MATERIAL: SPTE+HEAT SHRINKING TUBE  
or SECC+ HEAT SHRINKING TUBE
- COLOR: BLACK

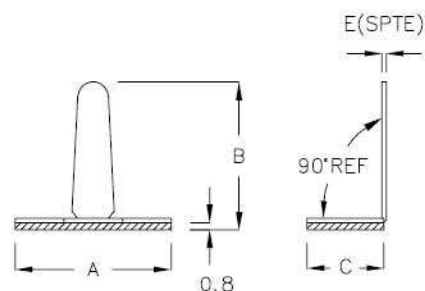


| PART NO | A   | B   | C    | D   | L    | T    | PACKAGE |
|---------|-----|-----|------|-----|------|------|---------|
| WC-1A   | 7.6 | 3.1 | 27.5 | 1.6 | 35.6 | 0.3  | 1000    |
| WC-1AM  | 5.6 | 2.8 | 30.1 | 1.7 | 35.6 | 0.6  |         |
| WC-1AL  | 7.6 | 3.1 | 27.5 | 1.6 | 35.6 | 0.6  |         |
| WC-1    | 8.0 | 3.4 | 33.5 | 4.0 | 41.0 | 0.3  |         |
| WC-2    | 8.0 | 3.4 | 48.2 | 4.0 | 55.8 | 0.3  |         |
| WC-2A   | 8.0 | 3.4 | 52.5 | 3.0 | 60.0 | 0.3  |         |
| WC-2L   | 8.0 | 3.2 | 46.5 | 6.0 | 54.0 | 0.45 |         |
| WC-3    | 8.0 | 4.1 | 48.2 | 4.0 | 56.0 | 0.3  |         |
| WC-3L   | 8.0 | 4.1 | 78.5 | 4.0 | 86.0 | 0.5  |         |
| WC-6    | 8.0 | 3.4 | 52.3 | 3.0 | 60.0 | 0.5  |         |



## 電線固定片 LOCKING CABLE CLAMP ———— 14-7-2

- MATERIAL: SPTE
- ADHESIVE TAPE: 3M

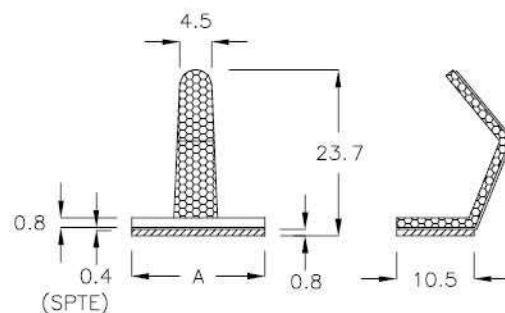


| PART NO | A    | B    | C   | E   | PACKAGE |
|---------|------|------|-----|-----|---------|
| JFW-4L  | 15.1 | 14.3 | 7.7 | 0.4 | 500     |



## 電線固定片 LOCKING CABLE CLAMP ———— 14-7-3

- MATERIAL: SPTE+SPONGE
- ADHESIVE TAPE: 3M



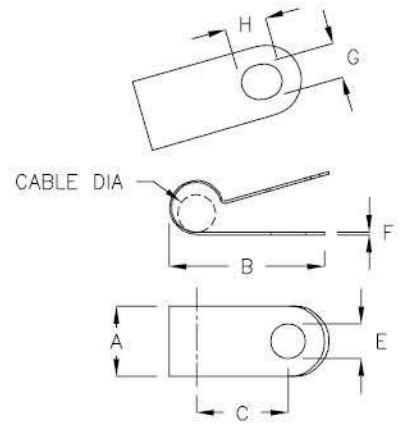
| PART NO | A    | PACKAGE |
|---------|------|---------|
| JFW-7   | 18.5 | 500     |



接地線夾 GROUNDING CABLE CLAMP ——— | 14-8-1 |

• MATERIAL: SPTE

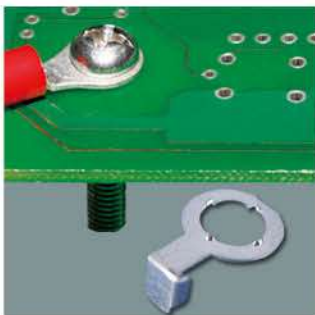
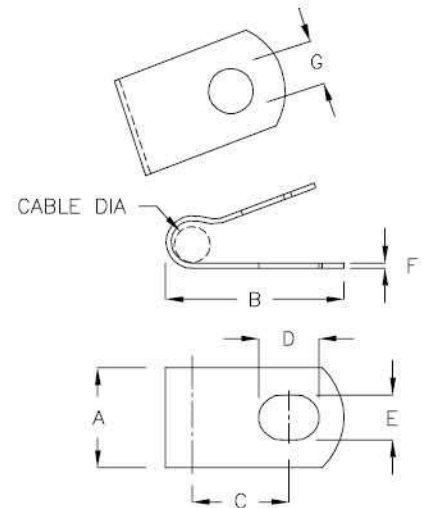
| PART NO | A   | B    | C    | E    | F   | G    | H   | CABLE DIA | PACKAGE |
|---------|-----|------|------|------|-----|------|-----|-----------|---------|
| FN-008  | 8.5 | 14.3 | 8.5  | ∅4.2 | 0.3 | ∅4.2 | 5.0 | ∅2.5      | 500     |
| FN-010  | 8.6 | 19.6 | 11.3 | ∅4.2 | 0.6 | ∅4.2 | 5.0 | ∅5.8      |         |
| FN-011  | 8.5 | 18.7 | 11.0 | ∅4.2 | 0.3 | ∅4.2 | 5.0 | ∅4.8      |         |



接地線夾 GROUNDING CABLE CLAMP ——— | 14-8-2 |

• MATERIAL: SPCC (FN-005, FN-007)  
 • MATERIAL: STEEL (FN-017)  
 • PLATING: NICKEL

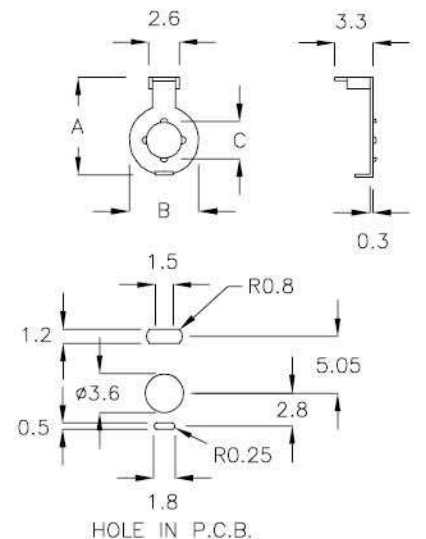
| PART NO | A    | B    | C     | D   | E    | F   | G    | CABLE DIA | PACKAGE |
|---------|------|------|-------|-----|------|-----|------|-----------|---------|
| FN-005  | 10.1 | 18.4 | 10.25 | 6.0 | ∅4.5 | 0.5 | ∅4.4 | ∅3.0~∅2.8 | 500     |
| FN-007  | 9.8  | 18.5 | 10.0  | 6.0 | ∅4.5 | 0.5 | ∅4.4 | ∅3.7~∅3.9 |         |
| FN-017  | 8.6  | 19.8 | 11.0  | 6.0 | ∅4.5 | 0.3 | ∅4.5 | ∅6.4      |         |



接地端子 GROUNDING CONNECTOR ——— | 14-8-3 |

• MATERIAL: PHOSPHOR BRONZE  
 • PLATING: TIN

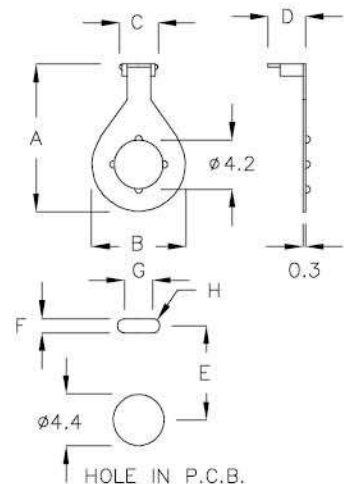
| PART NO | A   | B    | C    | PACKAGE |
|---------|-----|------|------|---------|
| JG-6L   | 8.5 | ∅5.9 | ∅3.1 | 2000    |
| JG-06A  | 8.5 | ∅5.9 | ∅3.6 |         |





接地端子 GROUNDING CONNECTOR ———— | 14-9-1 |

- MATERIAL: BRASS
- PLATING: TIN

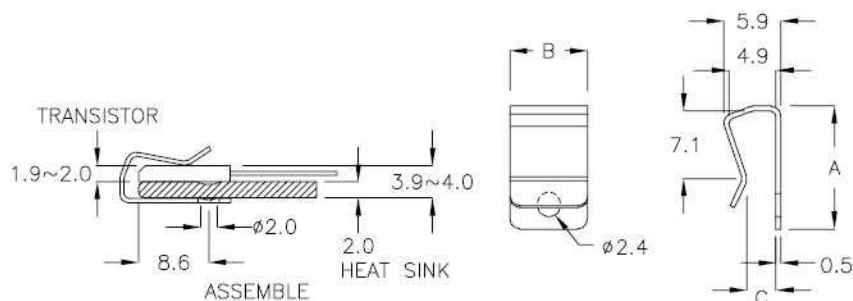


| PART NO | A    | B    | C   | D   | E   | F   | G   | H    | PACKAGE |
|---------|------|------|-----|-----|-----|-----|-----|------|---------|
| JG-10   | 12.5 | ∅8.0 | 3.3 | 3.5 | 8.0 | 1.2 | 2.4 | R0.6 | 2000    |



電晶體固定片 TRANSISTOR CLIP ———— | 14-9-2 |

- MATERIAL: SUS301



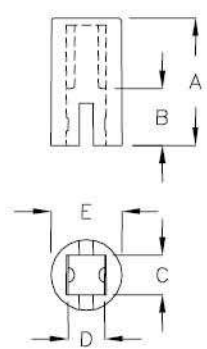
| PART NO | A    | B   | C   | PACKAGE |
|---------|------|-----|-----|---------|
| IRK-12H | 12.7 | 8.0 | 3.0 | 1000    |



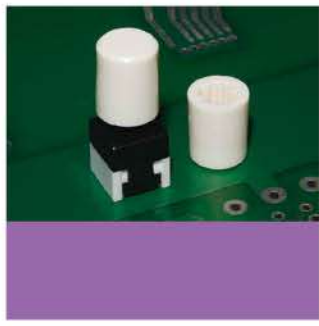


開關延長蓋 SWITCH EXTENDING COVER ——— | 13-41-1 |

• COLOR: NATURAL, BLACK

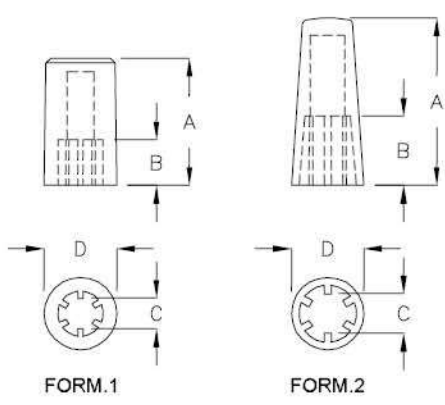


| PART NO | MATERIAL | A   | B   | C   | D    | E    | PACKAGE |
|---------|----------|-----|-----|-----|------|------|---------|
| HS-09C  | ABS V0   | 9.0 | 4.0 | 2.8 | 2.6  | ∅5.0 | 2000    |
| HS-09D  | N66 V2   | 9.0 | 3.0 | 2.5 | 2.15 | ∅4.6 |         |



開關延長蓋 SWITCH EXTENDING COVER ——— | 13-41-2 |

• COLOR: NATURAL, BLACK

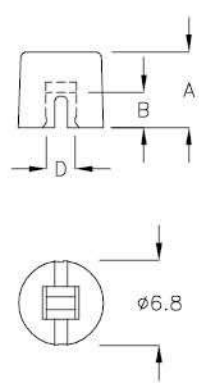


| PART NO | MATERIAL | A    | B   | D     | E    | FORM | PACKAGE |
|---------|----------|------|-----|-------|------|------|---------|
| HS-10C  | ABS HB   | 9.9  | 4.2 | ∅3.2  | ∅8.0 | 1    | 1000    |
| HS-12A  | ABS HB   | 12.0 | 4.2 | ∅3.3  | ∅8.0 | 1    |         |
| HS-14A  | ABS HB   | 14.0 | 4.2 | ∅3.4  | ∅8.0 | 1    |         |
| HS-16FA | N66 V2   | 16.5 | 7.0 | ∅3.45 | ∅6.3 | 2    |         |
| HS-18   | N66 V2   | 18.0 | 7.0 | ∅3.45 | ∅6.3 | 2    |         |



開關延長蓋 SWITCH EXTENDING COVER ——— | 13-41-3 |

• MATERIAL: NYLON 66(UL)  
• FLAME CLASS: 94V-2  
• COLOR: NATURAL, BLACK

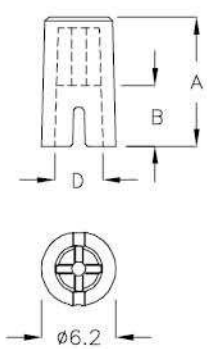


| PART NO | A   | B   | D   | PACKAGE |
|---------|-----|-----|-----|---------|
| HS-6F   | 6.0 | 2.8 | 2.3 | 2000    |
| HS-6M   | 6.5 | 2.8 | 2.4 |         |
| HS-7K   | 7.5 | 2.8 | 2.4 |         |
| HS-8HY  | 8.0 | 2.8 | 2.4 |         |
| HS-8MA  | 8.5 | 2.8 | 2.4 |         |

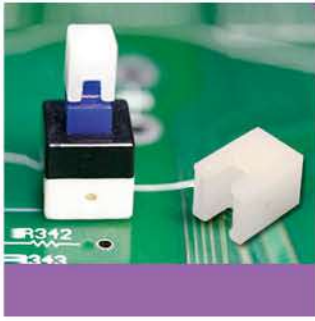


開關延長蓋 SWITCH EXTENDING COVER ——— | 13-41-4 |

• MATERIAL: ABS  
• FLAME CLASS: 94HB  
• COLOR: BLACK



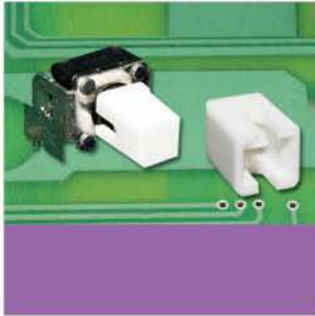
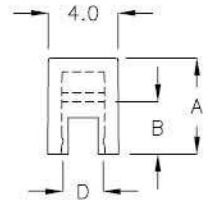
| PART NO | A   | B    | D    | PACKAGE |
|---------|-----|------|------|---------|
| HS-15   | 9.9 | 4.55 | ∅3.7 | 1000    |



### 開關延長蓋 SWITCH EXTENDING COVER — 13-42-1

- MATERIAL: ABS
- FLAME CLASS: 94HB
- COLOR: WHITE, NATURAL

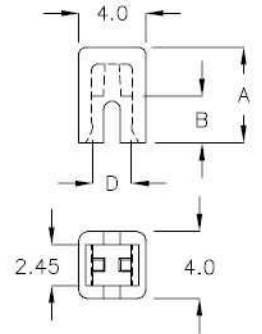
| PART NO | A   | B   | D    | PACKAGE |
|---------|-----|-----|------|---------|
| HS-16   | 5.5 | 3.0 | 2.28 | 2000    |



### 開關延長蓋 SWITCH EXTENDING COVER — 13-42-2

- MATERIAL: ABS
- FLAME CLASS: 94HB
- COLOR: NATURAL

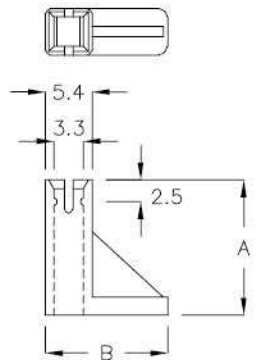
| PART NO | A   | B   | D   | PACKAGE |
|---------|-----|-----|-----|---------|
| HSM-5K  | 5.7 | 2.8 | 2.3 | 2000    |



### 開關延長蓋 SWITCH EXTENDING COVER — 13-42-3

- MATERIAL: NYLON 66(UL)
- FLAME CLASS: 94V-2
- COLOR: NATURAL

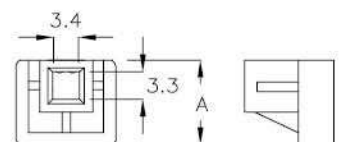
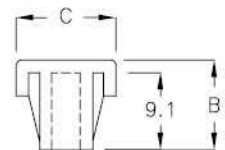
| PART NO | A    | B    | PACKAGE |
|---------|------|------|---------|
| HS-05S  | 11.8 | 14.2 | 1000    |
| HS-5    | 15.8 | 14.2 |         |



### 開關延長蓋 SWITCH EXTENDING COVER — 13-42-4

- MATERIAL: ABS
- FLAME CLASS: 94V-0
- COLOR: GRAY

| PART NO | A    | B    | C    | PACKAGE |
|---------|------|------|------|---------|
| HS-6    | 10.2 | 10.8 | 12.0 | 500     |



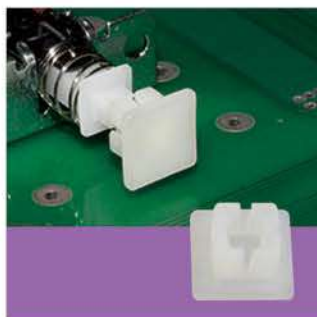
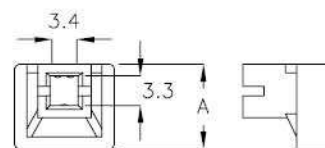
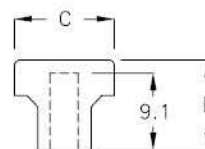




## 開關延長蓋 SWITCH EXTENDING COVER — 13-43-1 |

- MATERIAL: ABS
- FLAME CLASS: 94V-0
- COLOR: GRAY

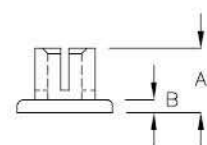
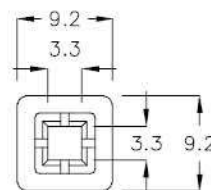
| PART NO | A    | B    | C    | PACKAGE |
|---------|------|------|------|---------|
| HS-06A  | 10.3 | 10.8 | 12.2 | 500     |



## 開關延長蓋 SWITCH EXTENDING COVER — 13-43-2 |

- MATERIAL: NYLON 66(UL)
- FLAME CLASS: 94V-2
- COLOR: NATURAL

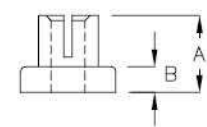
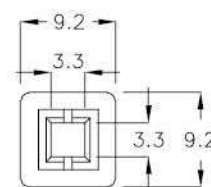
| PART NO | A   | B   | PACKAGE |
|---------|-----|-----|---------|
| HS-007  | 6.3 | 1.2 | 1000    |



## 開關延長蓋 SWITCH EXTENDING COVER — 13-43-3 |

- MATERIAL: NYLON 66(UL)
- FLAME CLASS: 94V-2
- COLOR: BLACK

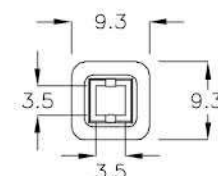
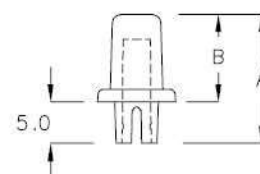
| PART NO | A   | B   | PACKAGE |
|---------|-----|-----|---------|
| HS-07A  | 9.5 | 2.5 | 1000    |



## 開關延長蓋 SWITCH EXTENDING COVER — 13-43-4 |

- MATERIAL: NYLON 66(UL)
- FLAME CLASS: 94V-2
- COLOR: BLACK

| PART NO | A    | B    | PACKAGE |
|---------|------|------|---------|
| HS-04   | 15.5 | 10.5 | 1000    |

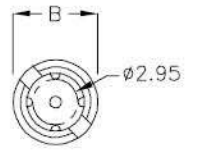
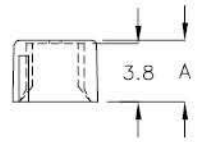




### 開關延長蓋 SWITCH EXTENDING COVER — 13-44-1

- MATERIAL: NYLON 66(UL)
- FLAME CLASS: 94V-2
- COLOR: NATURAL, BLACK

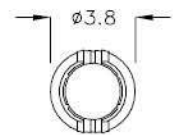
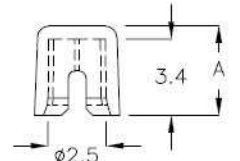
| PART NO | A   | B    | PACKAGE |
|---------|-----|------|---------|
| HS-008  | 4.0 | ø5.5 | 2000    |
| HS-012  | 6.3 | ø5.5 |         |



### 開關延長蓋 SWITCH EXTENDING COVER — 13-44-2

- MATERIAL: NYLON 66(UL)
- FLAME CLASS: 94V-2
- COLOR: BLACK

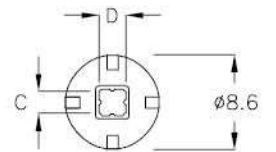
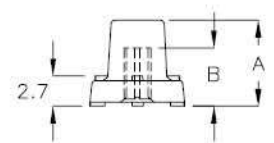
| PART NO | A   | PACKAGE |
|---------|-----|---------|
| HS-4CF  | 4.0 | 2000    |



### 開關延長蓋 SWITCH EXTENDING COVER — 13-44-3

- MATERIAL: ABS+PC(UL)
- FLAME CLASS: 94V-0
- COLOR: BLACK

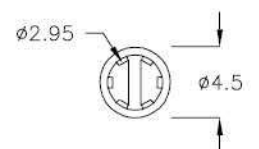
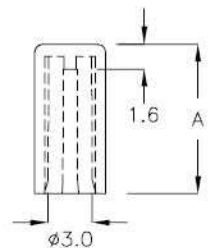
| PART NO | A   | B   | C   | D   | PACKAGE |
|---------|-----|-----|-----|-----|---------|
| HSD-01  | 7.8 | 5.3 | 2.0 | 2.0 | 2000    |



### 開關延長蓋 SWITCH EXTENDING COVER — 13-44-4

- MATERIAL: NYLON 66(UL)
- FLAME CLASS: 94V-2
- COLOR: NATURAL, BLACK

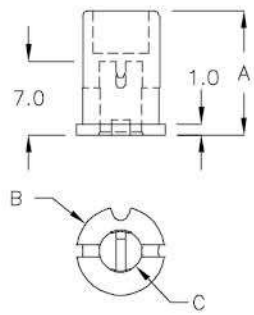
| PART NO | A   | PACKAGE |
|---------|-----|---------|
| DAH-9H  | 9.5 | 1000    |





開關延長蓋 SWITCH EXTENDING COVER ———— 13-45-1

- MATERIAL: NYLON 66(UL)
- FLAME CLASS: 94V-2
- COLOR: BLACK

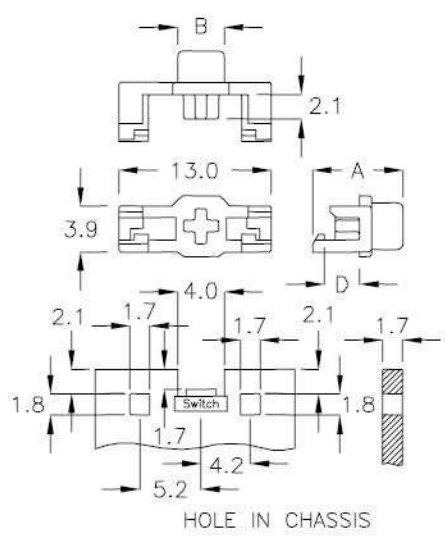


| PART NO  | A    | B    | C    | PACKAGE |
|----------|------|------|------|---------|
| HSL-11A  | 11.8 | ∅8.5 | ∅4.1 | 1000    |
| HSL-11SP | 11.8 | ∅7.5 | ∅3.3 |         |



開關延長蓋 SWITCH EXTENDING COVER ———— 13-45-2

- MATERIAL: NYLON 66(UL)
- FLAME CLASS: 94V-0
- COLOR: BLACK

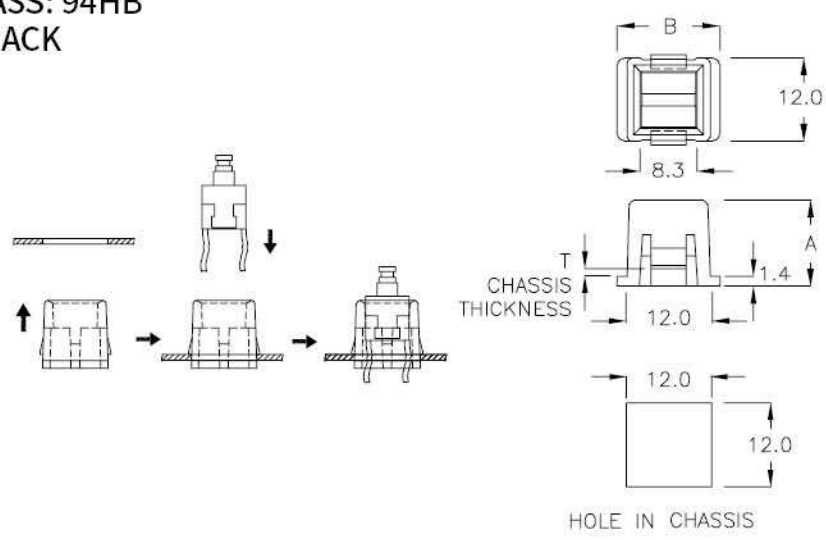


| PART NO  | A   | B    | D   | PACKAGE |
|----------|-----|------|-----|---------|
| HSW-13FH | 7.7 | ∅4.0 | 3.0 | 1000    |



開關座 PUSH SWITCH HOLDER ———— 13-45-3

- MATERIAL: ABS
- FLAME CLASS: 94HB
- COLOR: BLACK



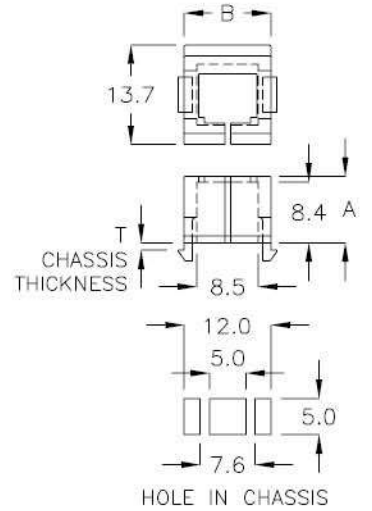
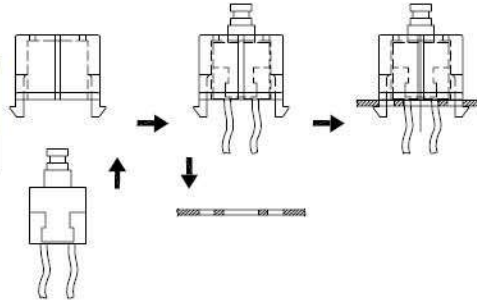
| PART NO | A    | B    | T<br>CHASSIS<br>THICKNESS | PACKAGE |
|---------|------|------|---------------------------|---------|
| HS-08A  | 12.4 | 14.8 | 0.8                       | 1000    |



開關座 PUSH SWITCH HOLDER 13-46-1

- MATERIAL: NYLON 66(UL)
- FLAME CLASS: 94V-2
- COLOR: BLACK

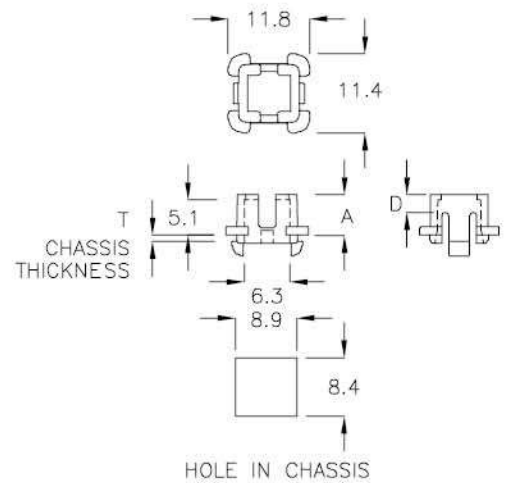
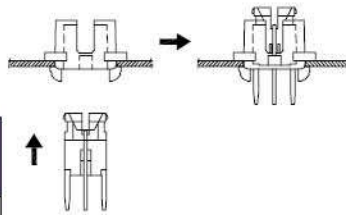
| PART NO | A   | B     | T<br>CHASSIS<br>THICKNESS | PACKAGE |
|---------|-----|-------|---------------------------|---------|
| HS-11   | 9.2 | 11.95 | 0.8                       | 500     |



開關座 SWITCH HOLDER 13-46-2

- MATERIAL: NYLON 66(UL)
- FLAME CLASS: 94V-2
- COLOR: BLACK

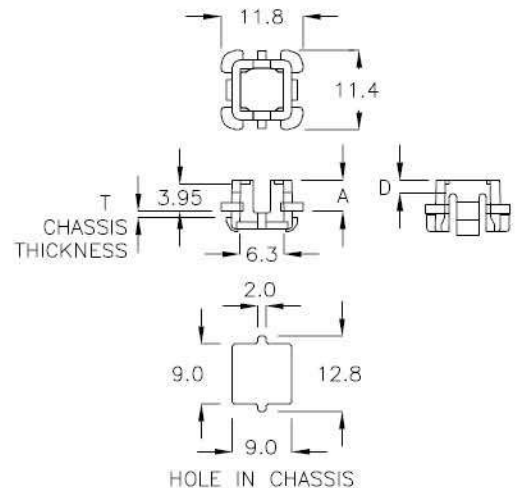
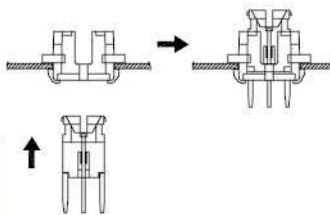
| PART NO | A   | D   | T<br>CHASSIS<br>THICKNESS | PACKAGE |
|---------|-----|-----|---------------------------|---------|
| HSF-01  | 5.8 | 2.5 | 0.8                       | 1000    |



開關座 SWITCH HOLDER 13-46-3

- MATERIAL: NYLON 66(UL)
- FLAME CLASS: 94V-2
- COLOR: BLACK

| PART NO | A   | D   | T<br>CHASSIS<br>THICKNESS | PACKAGE |
|---------|-----|-----|---------------------------|---------|
| HSF-02  | 4.5 | 1.8 | 0.8                       | 1000    |
| HSF-2KD | 4.5 | 1.8 | 0.6                       |         |

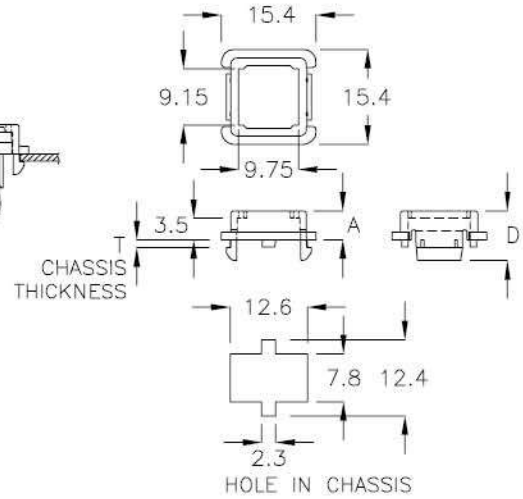
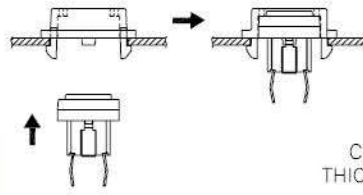




開關座 SWITCH HOLDER 13-47-1

- MATERIAL: NYLON 66(UL)
- FLAME CLASS: 94V-0
- COLOR: BLACK

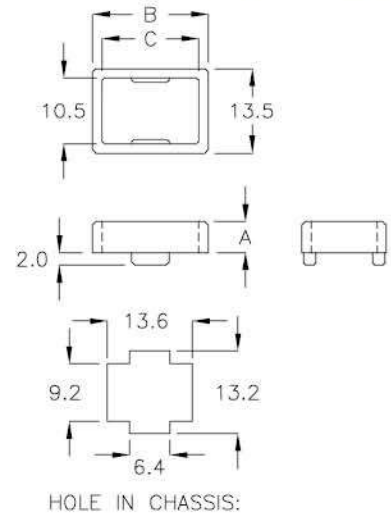
| PART NO | A   | D    | T<br>CHASSIS<br>THICKNESS | PACKAGE |
|---------|-----|------|---------------------------|---------|
| HSF-4WR | 4.7 | 8.05 | 1.2                       | 1000    |



電源開關座 SWITCH COVER 13-47-2

- MATERIAL: NYLON 66(UL)
- FLAME CLASS: 94V-2
- COLOR: BLACK

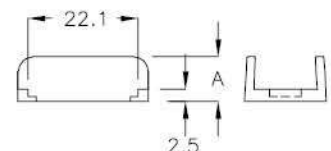
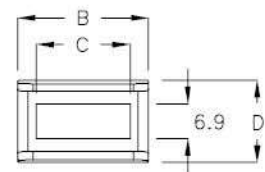
| PART NO | A   | B    | C    | PACKAGE |
|---------|-----|------|------|---------|
| HCA-15D | 5.0 | 18.5 | 15.5 | 500     |



電源開關座 SWITCH COVER 13-47-3

- MATERIAL: ABS
- COLOR: BLACK

| PART NO | A   | B    | C    | D    | PACKAGE |
|---------|-----|------|------|------|---------|
| HCA-18  | 9.0 | 26.1 | 18.8 | 16.4 | 500     |

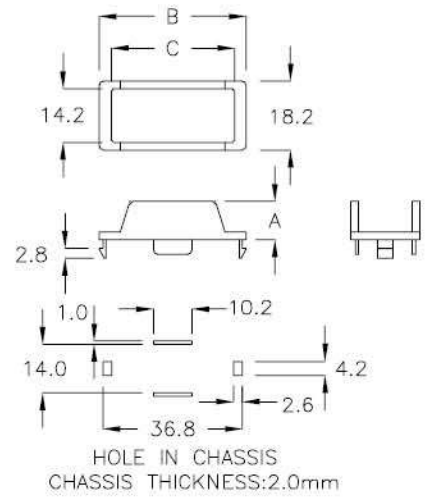




電源開關座 SWITCH COVER

13-48-1

- MATERIAL: NYLON 66(UL)
- FLAME CALSS: 94V-0
- COLOR: BLACK



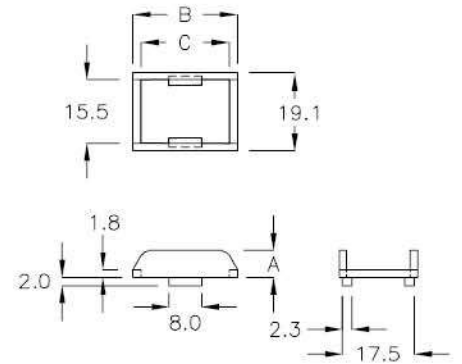
| PART NO | A    | B    | C    | PACKAGE |
|---------|------|------|------|---------|
| HCA-32  | 10.0 | 38.6 | 32.4 | 500     |



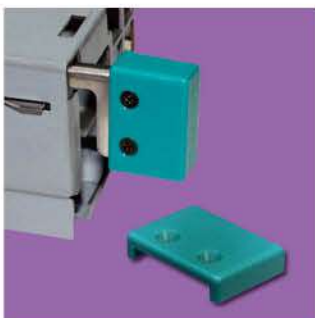
電源開關座 SWITCH COVER

13-48-2

- MATERIAL: NYLON 66(UL)
- FLAME CLASS: 94V-2
- COLOR: BLACK



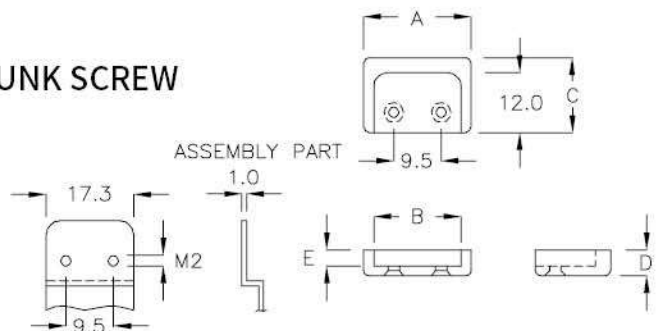
| PART NO | A   | B    | C    | PACKAGE |
|---------|-----|------|------|---------|
| HCA-21K | 6.5 | 25.5 | 21.5 | 500     |



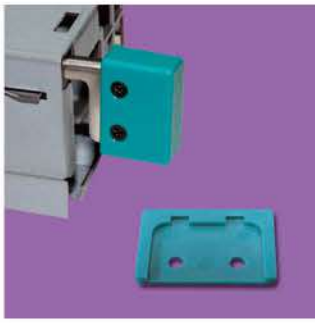
把手蓋 EJECTOR COVER

13-48-3

- MATERIAL: ABS+PC
- COLOR: GREEN
- USE M2x6 COUNTERSUNK SCREW

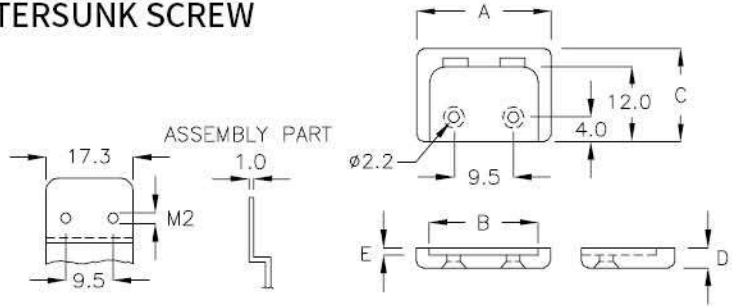


| PART NO | A    | B    | C    | D   | E   | PACKAGE |
|---------|------|------|------|-----|-----|---------|
| MHL-21  | 21.5 | 17.5 | 15.0 | 4.6 | 2.6 | 500     |



把手蓋 EJECTOR COVER ————— | 13-49-1 |

- MATERIAL: ABS+PC
- COLOR: GREEN
- USE M2x6 COUNTERSUNK SCREW

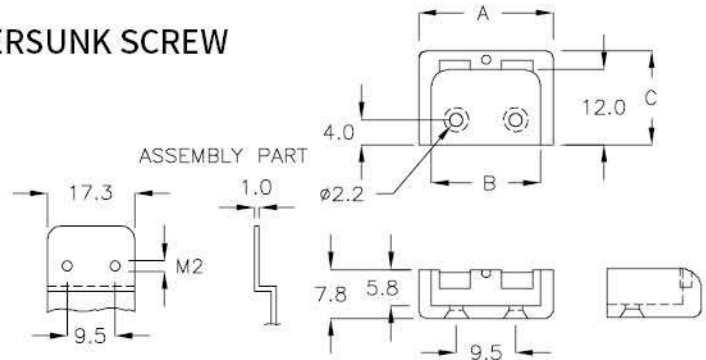


| PART NO | A    | B    | C    | D   | E   | PACKAGE |
|---------|------|------|------|-----|-----|---------|
| MHL-03  | 21.5 | 17.5 | 15.0 | 7.8 | 5.8 | 500     |
| MHL-14  | 21.5 | 17.5 | 15.0 | 3.2 | 1.2 |         |



把手蓋 EJECTOR COVER ————— | 13-49-2 |

- MATERIAL: ABS+PC
- COLOR: GREEN
- USE M2x6 COUNTERSUNK SCREW

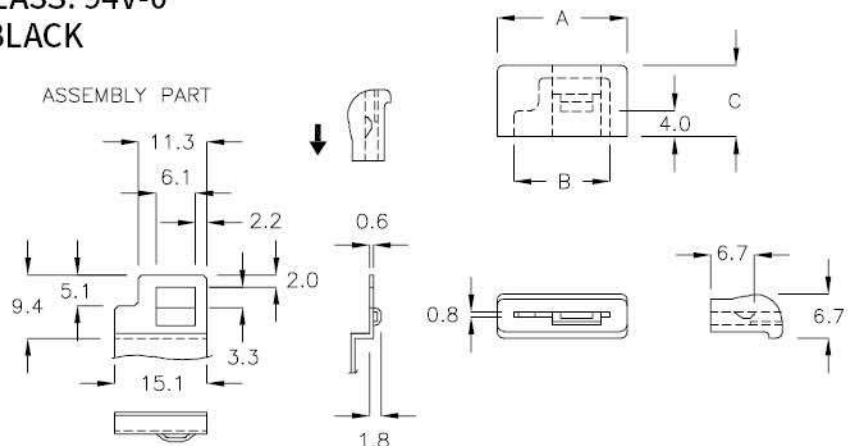


| PART NO | A    | B    | C    | PACKAGE |
|---------|------|------|------|---------|
| MHL-20  | 21.5 | 17.5 | 15.0 | 500     |



把手蓋 EJECTOR COVER ————— | 13-49-3 |

- MATERIAL: TPR
- FLAME CLASS: 94V-0
- COLOR: BLACK

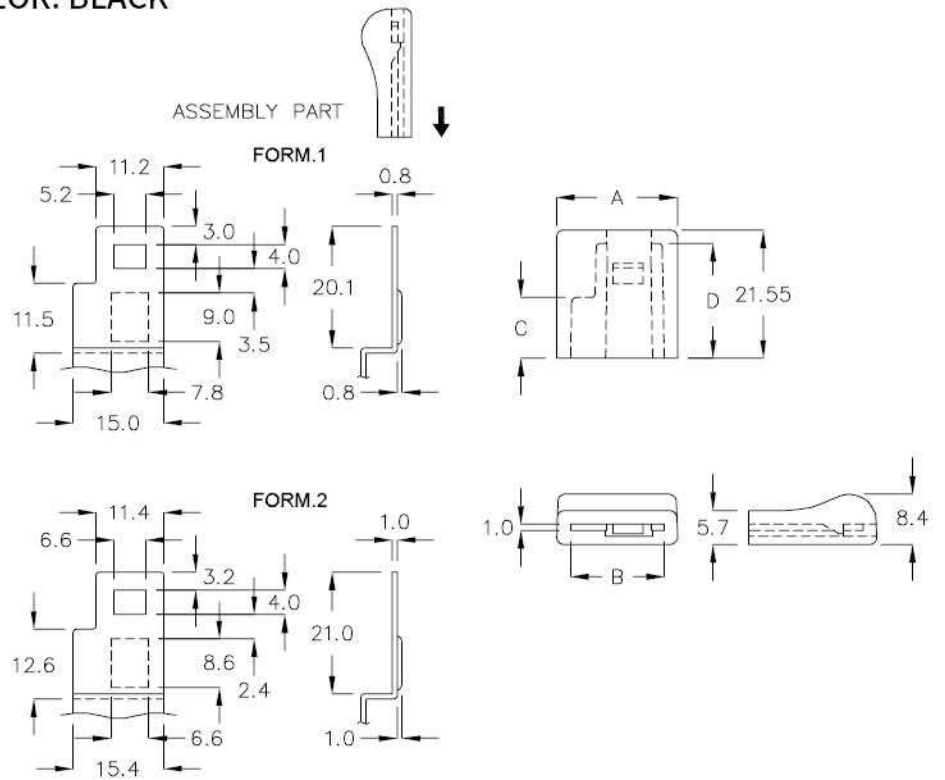


| PART NO | A    | B    | C    | PACKAGE |
|---------|------|------|------|---------|
| MHL-06  | 20.0 | 14.8 | 11.0 | 500     |



把手蓋 EJECTOR COVER 13-50-1

•COLOR: BLACK

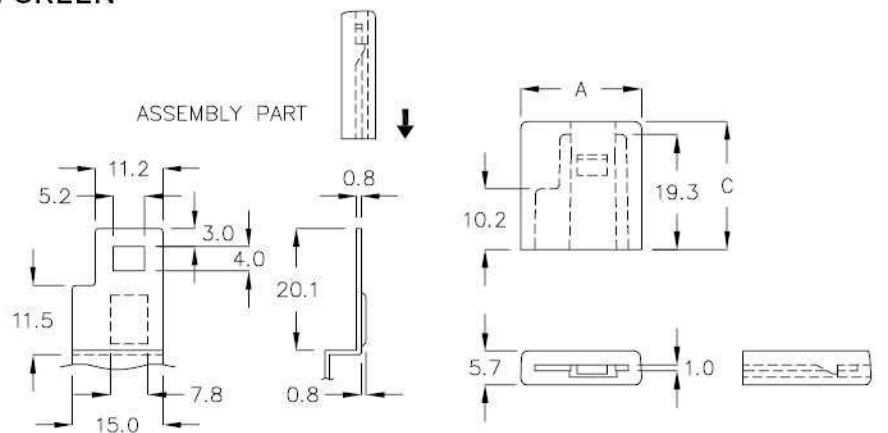


| PART NO | MATERIAL | A     | B     | C     | D    | FORM | PACKAGE |
|---------|----------|-------|-------|-------|------|------|---------|
| MHL-05  | TPR      | 20.35 | 15.75 | 10.16 | 19.3 | 1    | 500     |
| MHL-5CN | TPR      | 20.4  | 15.8  | 10.16 | 19.3 | 2    |         |
| MHL-5DM | TPR      | 20.35 | 15.4  | 10.16 | 19.3 | 1    |         |
| MHL-5FG | TPE      | 20.34 | 15.75 | 10.6  | 20.5 | 2    |         |



把手蓋 EJECTOR COVER 13-50-2

•MATERIAL: TPR  
•COLOR: GREEN



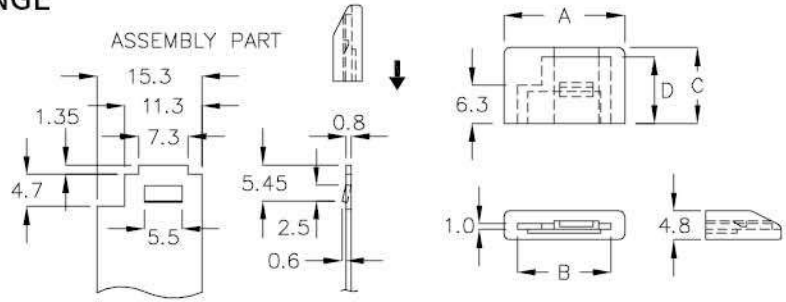
| PART NO | A    | B     | C    | PACKAGE |
|---------|------|-------|------|---------|
| MHL-08  | 20.3 | 15.75 | 21.6 | 500     |



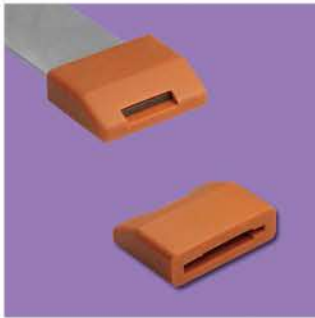


把手蓋 EJECTOR COVER | 13-51-1 |

- MATERIAL: TPR
- COLOR: ORANGE

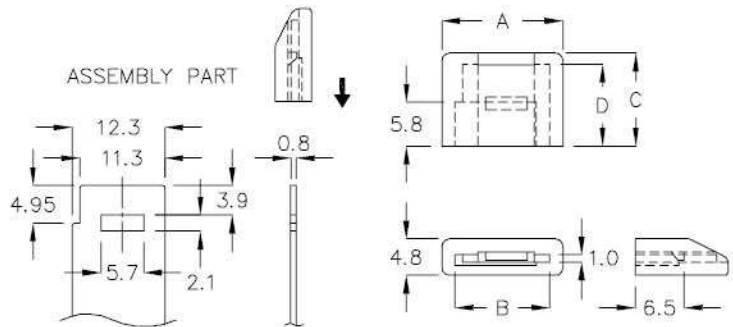


| PART NO | A    | B    | C    | D    | PACKAGE |
|---------|------|------|------|------|---------|
| MHL-15  | 20.0 | 15.5 | 12.5 | 11.0 | 500     |



把手蓋 EJECTOR COVER | 13-51-2 |

- MATERIAL: TPE
- COLOR: ORANGE

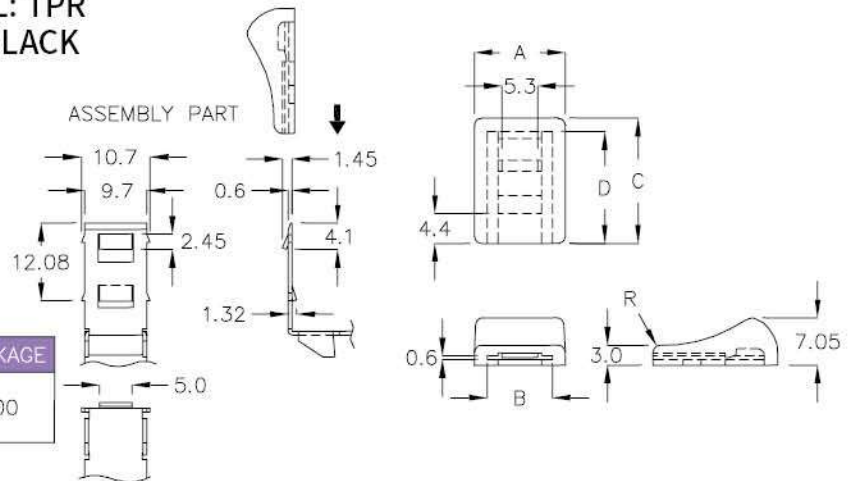


| PART NO  | A    | B    | C    | D    | PACKAGE |
|----------|------|------|------|------|---------|
| MHL-16KM | 16.0 | 12.5 | 12.3 | 10.8 | 500     |



把手蓋 EJECTOR COVER | 13-51-3 |

- MATERIAL: TPR
- COLOR: BLACK



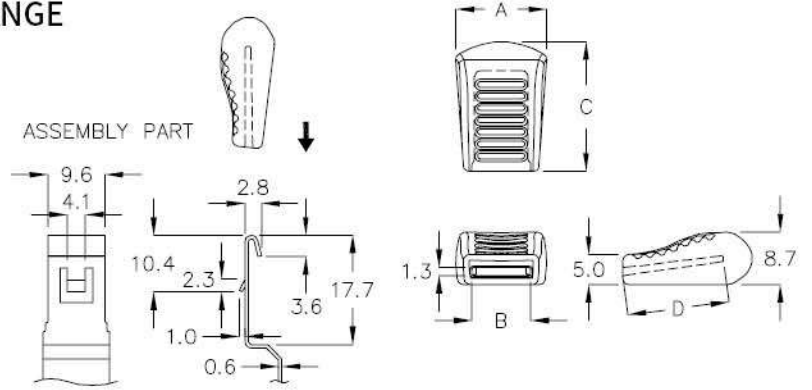
| PART NO  | A    | B   | C    | D    | R   | PACKAGE |
|----------|------|-----|------|------|-----|---------|
| MHL-04   | 13.5 | 9.7 | 18.6 | 16.6 | 1.0 | 500     |
| MHL-04TC | 13.5 | 9.7 | 18.6 | 16.6 | 0.5 |         |



把手蓋 EJECTOR COVER | 13-52-1 |

- MATERIAL: TPR
- COLOR: ORANGE

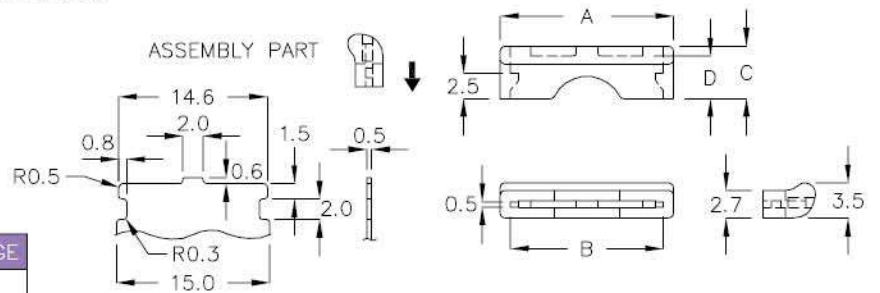
| PART NO | A    | B   | C    | D    | PACKAGE |
|---------|------|-----|------|------|---------|
| MHL-10  | 15.0 | 9.9 | 21.7 | 17.1 | 500     |



把手蓋 EJECTOR COVER | 13-52-2 |

- MATERIAL: TPE
- COLOR: BLACK

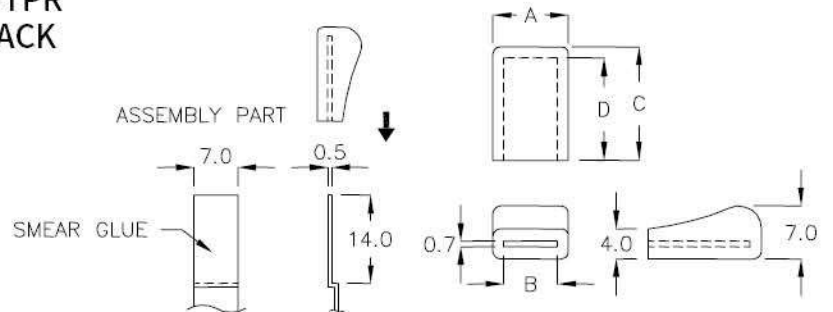
| PART NO  | A    | B    | C    | D   | PACKAGE |
|----------|------|------|------|-----|---------|
| MHL-15AP | 17.0 | 15.0 | 5.15 | 4.2 | 500     |



把手蓋 EJECTOR COVER | 13-52-3 |

- MATERIAL: TPR
- COLOR: BLACK

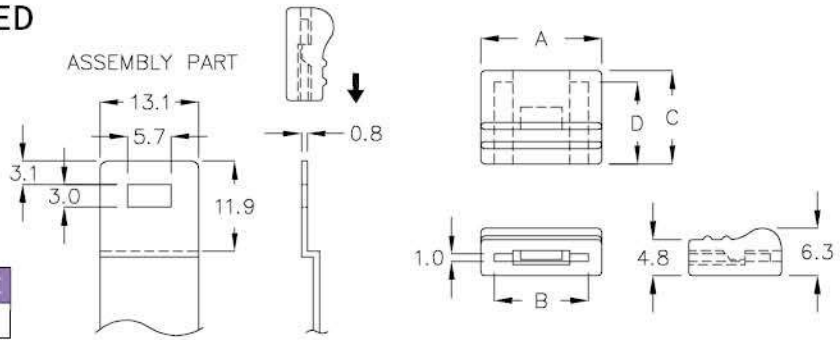
| PART NO | A    | B   | C    | D    | PACKAGE |
|---------|------|-----|------|------|---------|
| MHL-11  | 10.0 | 7.1 | 15.0 | 13.5 | 2000    |





把手蓋 EJECTOR COVER | 13-53-1 |

- MATERIAL: TPE
- COLOR: RED

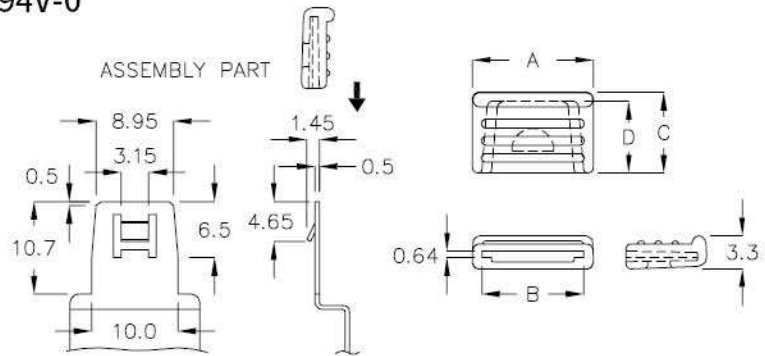


| PART NO  | A    | B    | C    | D    | PACKAGE |
|----------|------|------|------|------|---------|
| MHL-12DC | 16.0 | 12.5 | 12.3 | 10.8 | 500     |



把手蓋 EJECTOR COVER | 13-53-2 |

- MATERIAL: ABS+PC(UL)
- FLAME CLASS: 94V-0
- COLOR: BLACK

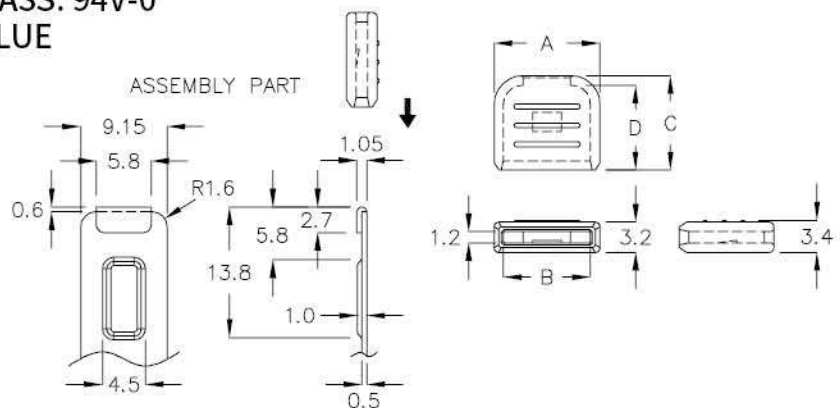


| PART NO | A    | B    | C   | D   | PACKAGE |
|---------|------|------|-----|-----|---------|
| MHL-8QM | 12.0 | 9.94 | 8.0 | 7.1 | 500     |

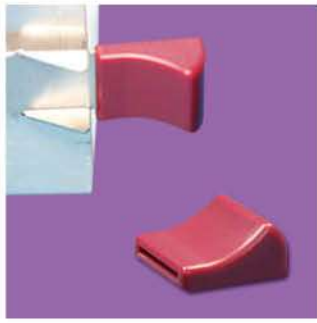


把手蓋 EJECTOR COVER | 13-53-3 |

- MATERIAL: ABS+PC(UL)
- FLAME CLASS: 94V-0
- COLOR: BLUE



| PART NO  | A    | B   | C    | D   | PACKAGE |
|----------|------|-----|------|-----|---------|
| MHL-11FT | 11.2 | 9.2 | 10.0 | 9.0 | 1000    |

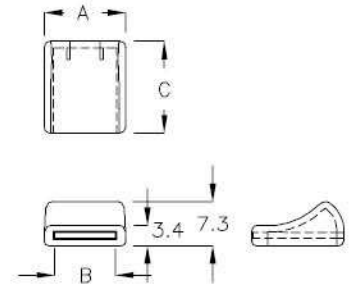
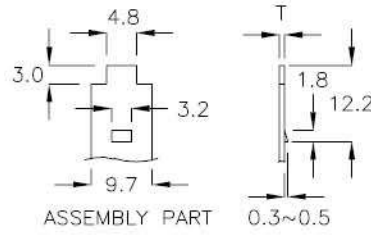


### 把手蓋 EJECTOR COVER

13-54-1

- MATERIAL: ABS+PC
- FLAME CLASS: 94V-0
- COLOR: BLACK,RED

| PART NO  | A    | B    | C    | T   | PACKAGE |
|----------|------|------|------|-----|---------|
| MHL-15KD | 13.5 | 10.0 | 15.2 | 1.0 | 1000    |
| MHL-19   | 13.5 | 10.0 | 15.2 | 0.8 |         |

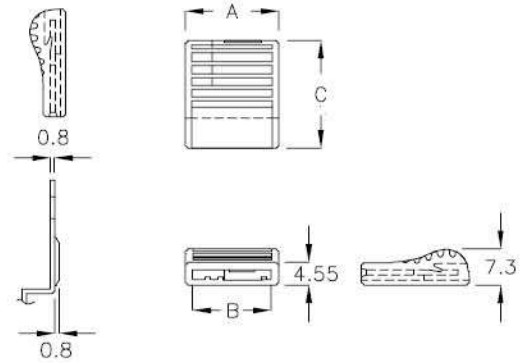
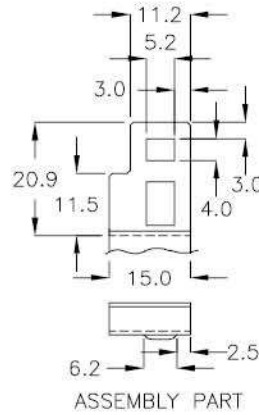


### 把手蓋 EJECTOR COVER

13-54-2

- MATERIAL: ABS+PC
- FLAME CLASS: 94V-0
- COLOR: GREEN

| PART NO | A    | B    | C    | PACKAGE |
|---------|------|------|------|---------|
| MHL-23  | 18.7 | 16.2 | 21.5 | 500     |

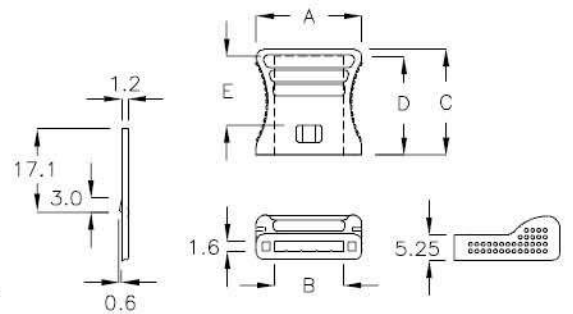
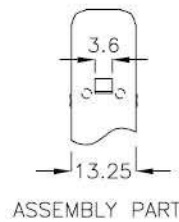


### 把手蓋 EJECTOR COVER

13-54-3

- MATERIAL: ABS+PC
- FLAME CLASS: 94V-0
- COLOR: GRAY

| PART NO  | A    | B    | C    | D    | E    | PACKAGE |
|----------|------|------|------|------|------|---------|
| MHL-21FS | 21.6 | 14.2 | 21.6 | 19.8 | 13.7 | 500     |

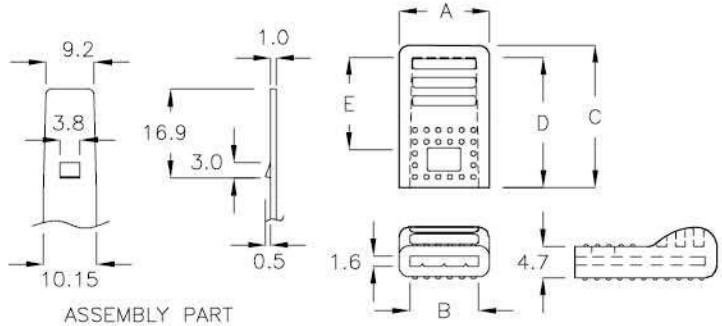




把手蓋 EJECTOR COVER | 13-55-1 |

- MATERIAL: ABS+PC
- FLAME CLASS: 94V-0
- COLOR: BLACK

| PART NO  | A    | B     | C    | D    | E    | PACKAGE |
|----------|------|-------|------|------|------|---------|
| MHL-21KQ | 13.7 | 10.45 | 21.6 | 19.7 | 13.6 | 500     |



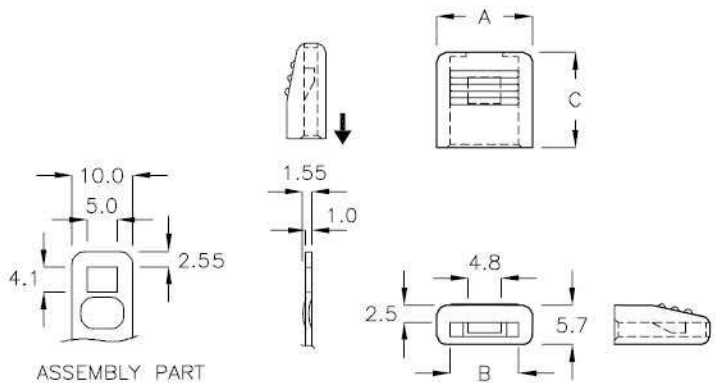
ASSEMBLY PART



把手蓋 EJECTOR COVER | 13-55-2 |

- MATERIAL: TPE
- COLOR: BLACK

| PART NO | A    | B    | C    | PACKAGE |
|---------|------|------|------|---------|
| MHL-25  | 14.0 | 10.0 | 13.9 | 1000    |



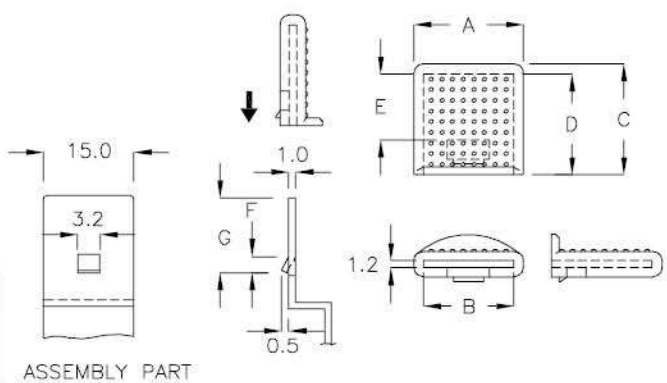
ASSEMBLY PART



把手蓋 EJECTOR COVER | 13-55-3 |

- MATERIAL: ABS+PC
- FLAME CLASS: 94V-0
- COLOR: BLACK

| PART NO | A    | B    | C    | D    | E    | F   | G    | PACKAGE |
|---------|------|------|------|------|------|-----|------|---------|
| MHL-13  | 18.3 | 15.1 | 18.5 | 16.7 | 11.2 | 3.0 | 14.0 | 500     |
| MHL-13A | 18.3 | 15.2 | 18.5 | 17.2 | 10.9 | 3.3 | 14.5 |         |



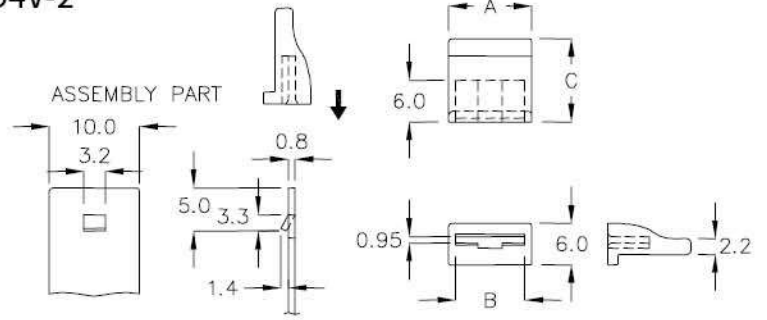
ASSEMBLY PART



### 把手蓋 EJECTOR COVER

13-56-1

- MATERIAL: NYLON 66(UL)
- FLAME CLASS: 94V-2
- COLOR: BLACK



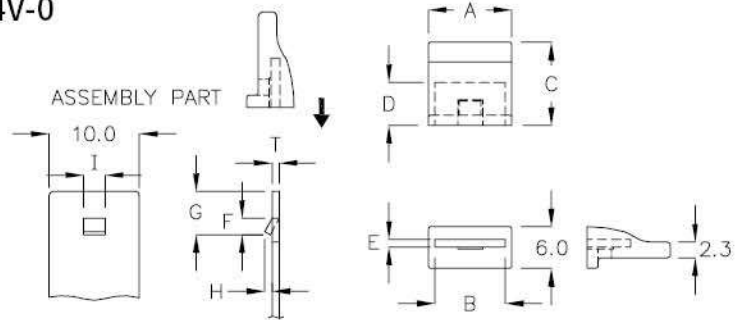
| PART NO | A    | B    | C    | PACKAGE |
|---------|------|------|------|---------|
| MHL-12  | 12.0 | 10.0 | 12.0 | 500     |



### 把手蓋 EJECTOR COVER

13-56-2

- MATERIAL: NYLON 66(UL)
- FLAME CLASS: 94V-0
- COLOR: RED



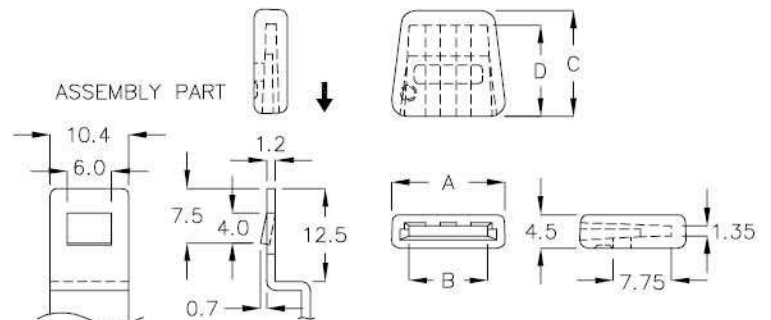
| PART NO  | A    | B    | C    | D   | E   | F   | G   | H   | I   | T   | PACKAGE |
|----------|------|------|------|-----|-----|-----|-----|-----|-----|-----|---------|
| MHL-12DT | 12.0 | 10.1 | 12.0 | 7.0 | 0.9 | 3.3 | 5.3 | 2.2 | 3.2 | 0.8 | 500     |
| MHL-12KF | 12.0 | 10.0 | 12.0 | 6.2 | 1.0 | 2.0 | 4.6 | 0.5 | 2.8 | 1.0 |         |



### 把手蓋 EJECTOR COVER

13-56-3

- MATERIAL: ABS+PC(UL)
- COLOR: GRAY



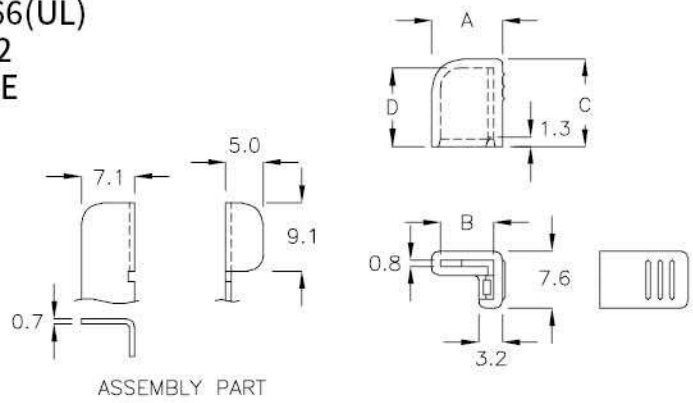
| PART NO  | A    | B    | C    | D    | PACKAGE |
|----------|------|------|------|------|---------|
| MHL-14ST | 15.2 | 10.5 | 14.2 | 12.2 | 500     |



把手蓋 EJECTOR COVER

13-57-1

- MATERIAL: NYLON 66(UL)
- FLAME CLASS: 94V-2
- COLOR: BLACK,BLUE



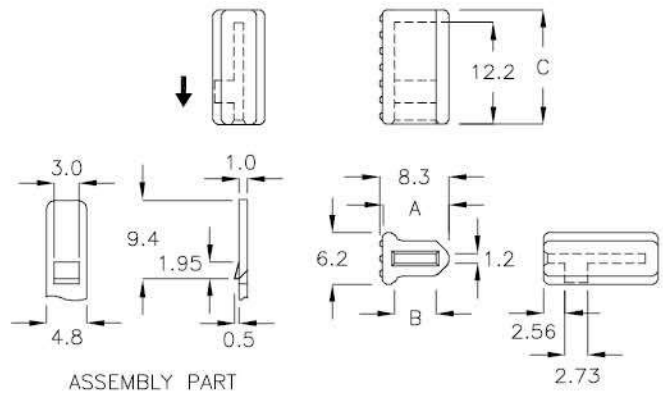
| PART NO | A   | B   | C    | D    | PACKAGE |
|---------|-----|-----|------|------|---------|
| MHL-16  | 9.5 | 7.1 | 11.7 | 10.5 | 500     |



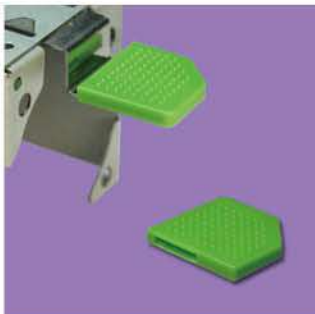
把手蓋 EJECTOR COVER

13-57-2

- MATERIAL: ABS+PC
- FLAME CLASS: 94V-0
- COLOR: RED



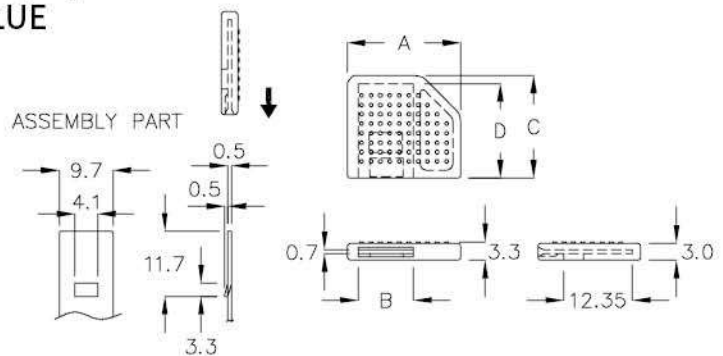
| PART NO | A   | B   | C    | PACKAGE |
|---------|-----|-----|------|---------|
| MHL-17  | 8.0 | 5.0 | 13.7 | 500     |



把手蓋 EJECTOR COVER

13-57-3

- MATERIAL: ABS+PC(UL)
- COLOR: GREEN,BLUE

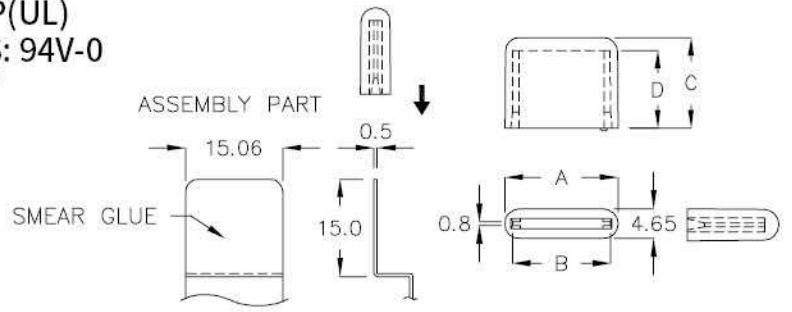


| PART NO  | A    | B   | C    | D    | PACKAGE |
|----------|------|-----|------|------|---------|
| MHL-18FR | 20.4 | 9.9 | 18.5 | 17.0 | 500     |



把手蓋 EJECTOR COVER | 13-58-1 |

- MATERIAL: PP(UL)
- FLAME CLASS: 94V-0
- COLOR: GRAY

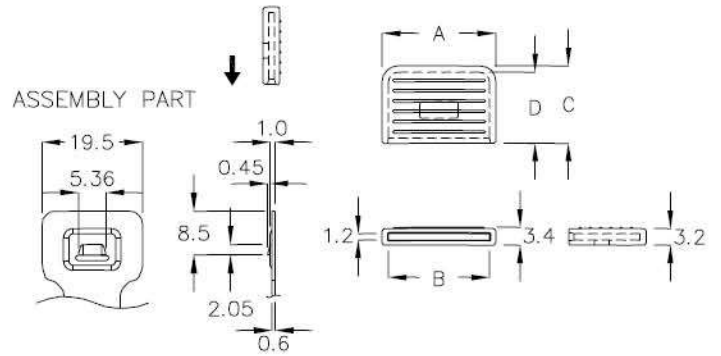


| PART NO | A    | B    | C    | D    | PACKAGE |
|---------|------|------|------|------|---------|
| MHL-18  | 17.6 | 15.0 | 14.2 | 12.0 | 1000    |

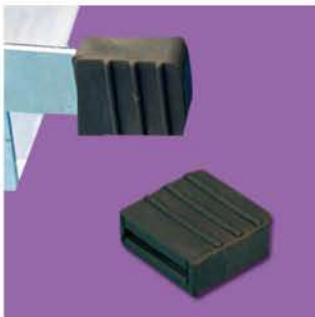


把手蓋 EJECTOR COVER | 13-58-2 |

- MATERIAL: ABS+PC(UL)
- COLOR: BLUE

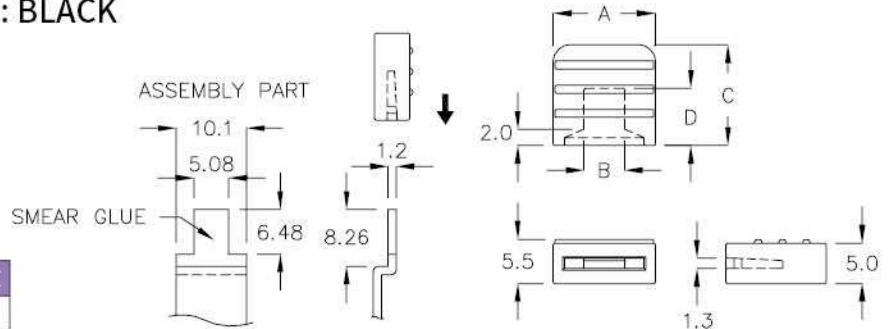


| PART NO  | A    | B    | C    | D    | PACKAGE |
|----------|------|------|------|------|---------|
| MHL-19TD | 22.0 | 19.6 | 15.0 | 13.8 | 1000    |



把手蓋 EJECTOR COVER | 13-58-3 |

- MATERIAL: TPR
- COLOR: BLACK



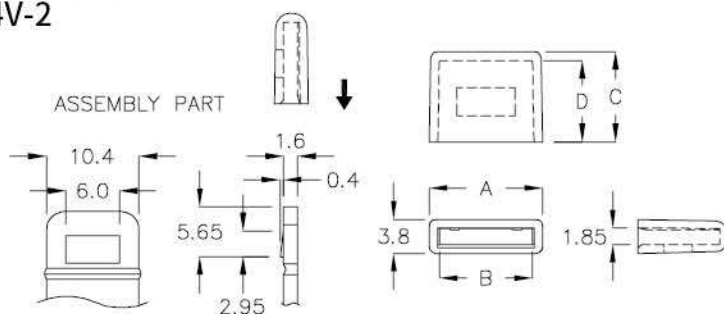
| PART NO | A    | B   | C    | D   | PACKAGE |
|---------|------|-----|------|-----|---------|
| MHL-22  | 12.7 | 4.8 | 12.5 | 7.1 | 1000    |





## 把手蓋 EJECTOR COVER | 13-59-1 |

- MATERIAL: NYLON 66(UL)
- FLAME CLASS: 94V-2
- COLOR: BLACK

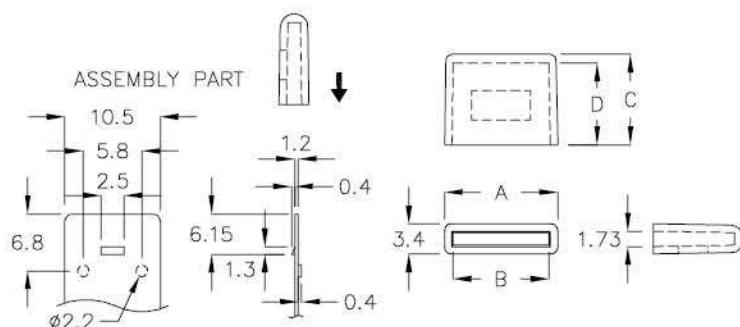


| PART NO  | A    | B    | C     | D    | PACKAGE |
|----------|------|------|-------|------|---------|
| MHL-12YW | 12.7 | 10.8 | 10.15 | 9.05 | 500     |



## 把手蓋 EJECTOR COVER | 13-59-2 |

- MATERIAL: ABS+PC(UL)
- COLOR: RED

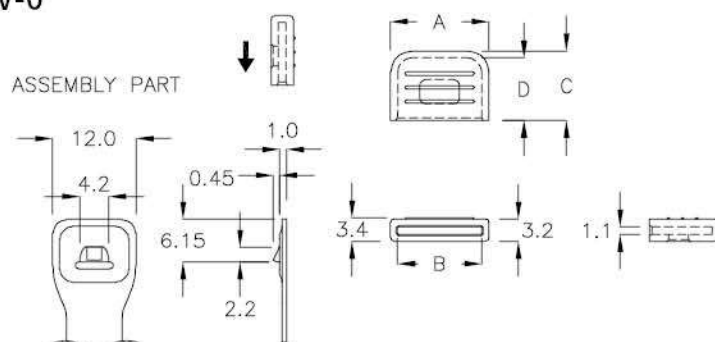


| PART NO | A    | B    | C     | D   | PACKAGE |
|---------|------|------|-------|-----|---------|
| MHL-24  | 12.7 | 10.7 | 10.16 | 9.1 | 1000    |



## 把手蓋 EJECTOR COVER | 13-59-3 |

- MATERIAL: ABS+PC
- FLAME CLASS: 94V-0
- COLOR: BLUE



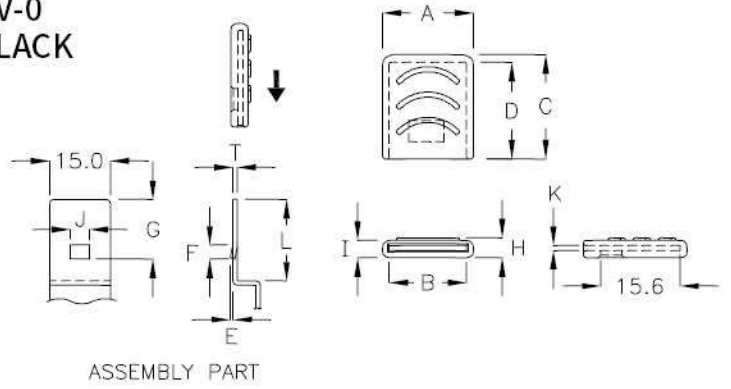
| PART NO  | A    | B    | C    | D   | PACKAGE |
|----------|------|------|------|-----|---------|
| MHL-14JP | 14.2 | 12.1 | 10.0 | 9.0 | 500     |



把手蓋 EJECTOR COVER

13-60-1

- MATERIAL: ABS+PC
- FLAME CLASS: 94V-0
- COLOR: GREEN,BLACK



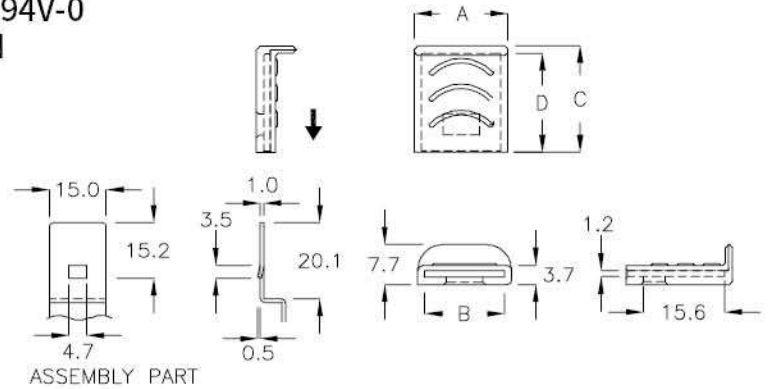
| PART NO  | A    | B    | C    | D    | E   | F   | G    | H   | I   | J   | K    | L    | T   | PACKAGE |
|----------|------|------|------|------|-----|-----|------|-----|-----|-----|------|------|-----|---------|
| MHL-24QM | 18.0 | 15.3 | 20.5 | 19.0 | 0.5 | 3.5 | 15.2 | 4.0 | 3.7 | 4.7 | 1.2  | 20.1 | 1.0 | 500     |
| MHL-24RK | 18.0 | 15.3 | 20.5 | 19.0 | 0.5 | 3.4 | 15.4 | 4.5 | 4.0 | 4.1 | 1.0  | 20.3 | 0.8 |         |
| MHL-24SY | 18.3 | 15.1 | 20.7 | 19.1 | 0.5 | 3.4 | 15.4 | 4.6 | 4.1 | 4.1 | 1.05 | 20.3 | 0.8 |         |
| MHL-24TL | 18.0 | 15.3 | 20.5 | 19.0 | 0.7 | 3.6 | 15.6 | 4.7 | 4.2 | 3.5 | 1.2  | 20.0 | 1.0 |         |



把手蓋 EJECTOR COVER

13-60-2

- MATERIAL: ABS+PC
- FLAME CLASS: 94V-0
- COLOR: GREEN



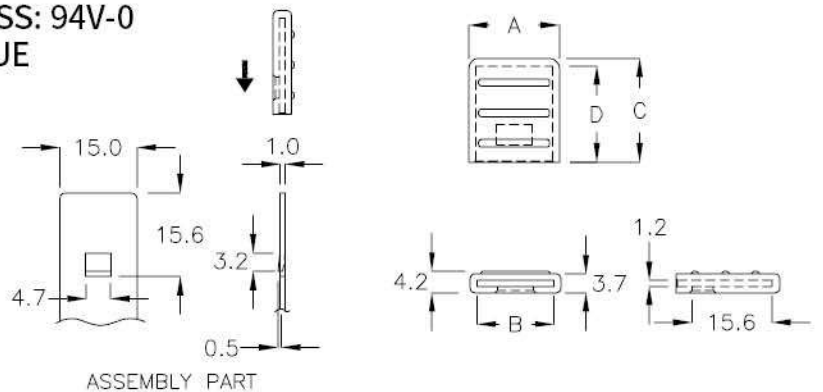
| PART NO  | A    | B    | C    | D    | PACKAGE |
|----------|------|------|------|------|---------|
| MHL-18CL | 18.0 | 15.3 | 20.5 | 19.0 | 500     |



把手蓋 EJECTOR COVER

13-60-3

- MATERIAL: ABS+PC
- FLAME CLASS: 94V-0
- COLOR: BLUE



| PART NO  | A    | B    | C    | D    | PACKAGE |
|----------|------|------|------|------|---------|
| MHL-18DF | 18.0 | 15.2 | 20.5 | 19.0 | 500     |

## 總公司

115027 台北市八德路四段768巷1弄8號

HEAD OFFICE:

No.8, ALLEY 1, LANE 768, SEC 4, PATEH RD.,

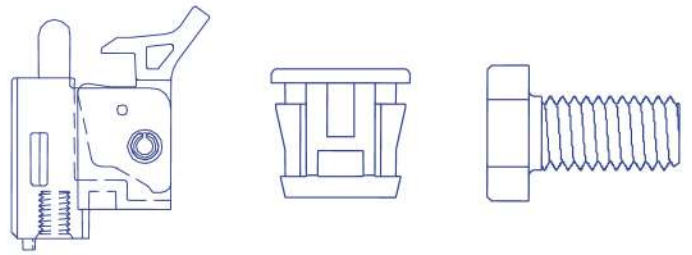
TAIPEI, 115027 TAIWAN

TEL: 886-2-27885767

FAX: 886-2-27885768

E-MAIL: sales@pingood.com.tw

http://www.pingood.com.tw



## 品基電子(東莞)有限公司

廣東省東莞市塘廈鎮果嶺路1號

DONGGUAN FACTORY:

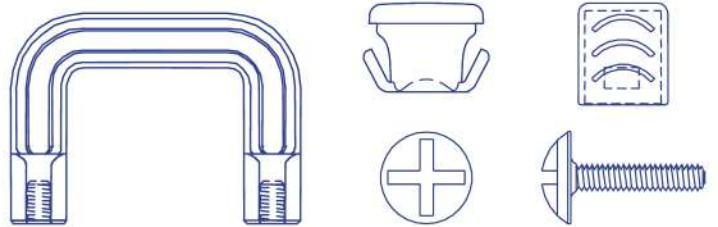
No.1, GUO LING RD.,TANG XIA,

DONGGUAN, GUANGDONG, CHINA

TEL: 86-769-87910231

FAX: 86-769-87910232

E-MAIL: pj@pingood.com.cn



## 蘇州品基電子科技有限公司

江蘇省蘇州市吳中區橫涇街道天鵝蕩路2986號

SUZHOU FACTORY:

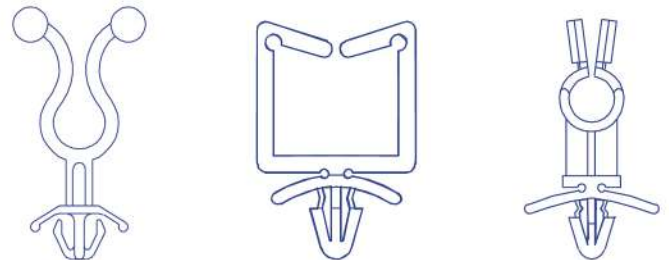
No.2986, TIAN EDANG RD., HENGJING TOWN,

WUZHONG, SUZHOU JIANGSU PROVINCE, CHINA

TEL: 86-512-65629123

FAX: 86-512-65611221

E-MAIL: spj@pingood.com.cn



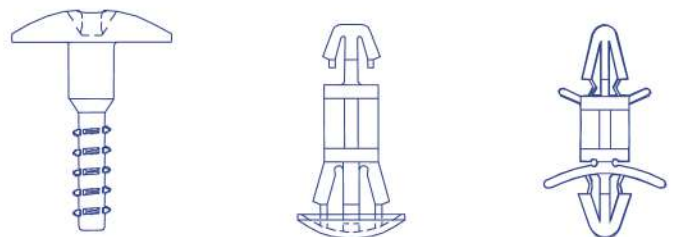
## 中壢工廠

320023 桃園市中壢區東園路21號

ZHONGLI FACTORY:

No.21, DONGYUAN RD., ZHONGLI DIST.,

TAOYUAN CITY, 320023 TAIWAN



## SINGAPORE BRANCH

UNITRONIC COMPONENTS PTE.LTD

TEL: 65-62847555 FAX: 65-62842877



f Pingood品固 塑膠固扣件

