

品固品基

PINGOOD

PLASTIC ELECTRONIC
PRODUCTS 2020
電子電腦塑膠零件
固扣件專業製造工廠 39th



專業電子·電機·電腦週邊塑膠配件·研發·設計·製造的專家



PINGOOD ENTERPRISE CO.,LTD.

NO.8, ALLEY 1, LANE 768, SEC 4 PATEH RD., TAIPEI, 11577 TAIWAN

TEL: 886-2-27885767 FAX: 886-2-27885768 <http://www.pingood.com.tw>

CHINA FACTORY: SUZHOU
蘇州品基電子科技有限公司



HEADQUARTER: TAIPEI, TAIWAN
品固企業股份有限公司 台北總公司



CHINA FACTORY: DONGGUAN
品基電子(東莞)有限公司



TAIWAN FACTORY: ZHONGLI
品固企業股份有限公司 中壢工廠



公司簡介

公司名稱：品固企業股份有限公司 (東莞品基、蘇州品基)

設立時間：1982年6月15日(成立39年)

資本額：新台幣126,000,000元。

地址：台北市南港區八德路四段768巷1弄8號。(品固大樓)

電話：886-2-27885767。

傳真：886-2-27885768。

部門分類：總經理室,業務部,生產管理部,財務部,研發部,資材部,ERP部門,MIS部門,
模具製造部,品管部,廠務部。

台北公司面積：2800平方公尺

中壢工廠面積：12000平方公尺。

模具廠面積：800平方公尺。

大陸東莞工廠面積：36000平方公尺。

大陸東莞工廠地址：廣東省東莞市塘廈鎮平山188工業區果岭路6號。

大陸蘇州工廠面積：12000平方公尺。

大陸蘇州工廠地址：江蘇省蘇州市吳中區橫涇街道天鵝蕩路2986號。

設備：射出成型機，CNC放電加工機，CNC線割機，CNC綜合加工機...etc.

測試及各種檢驗儀器：3D掃描儀，X-Ray光譜儀，氣相色譜質譜聯用儀，

環境實驗機，影像量測儀，顯微鏡投影機，繪圖機，

萬能破壞機，高阻抗測試機，拉力機，自動測試機...etc.

國內主要客戶：各大股票上市上櫃之電腦電子產品製造廠及相關產品製造商。

國外主要客戶：DELL, HITACHI, SONY, HP, SHARP, ...etc.

海外行銷：本公司海外行銷遍及五大洲數十國。

產品認證：UL.

公司認證：ISO9001.

工廠認證：ISO9001, ISO14001認證.



*本公司產品未標示單位者皆採mm之公制單位。

*所有尺寸及規格均以本公司之產品承認書為主,目錄尺寸為輔。

*歡迎各界大鑒不吝來電賜教,本公司定當竭誠為您服務。

*製版日期：2019年12月31日

Company: PINGOOD Enterprise Co., Ltd.

Founded: June 15 th, 1982. (39 th Anniversary)

Address: No.8, Alley 1, Lane 768, Sec.4 Pateh Rd., Taipei 115, Taiwan

Telephone: 886-2-27885767

FAX: 886-2-27885768

Department: Sales&Marketing, R&D, Finance, Production, Molding, Q.C, MIS,ERP...etc.

Capital: US\$4,200,000.00

Taipei, Taiwan HQ: 2,800 m².

Company Owned Factory :

Chungli, Taiwan : 12,000 m².

Mold Factory Area: 800 m².

Dongguan, China : 36,000 m².

Suzhou, China : 12,000 m².

In-house Design, Measure, Packing and Testing team.

Sales Territory: Worldwide.

Certificate: ISO9001, ISO14001, and UL.

All measures are in metric unit of "mm" scale except noted .

This catalogue is only subsidiary for your reference; all the measurements and dimensions are according to the "DATA SHEET" issued by PINGOOD.

Detailed information will be provided upon request, please kindly contact us via email at pingood@pingood.com.tw !

Edited Date: December 31 st , 2019

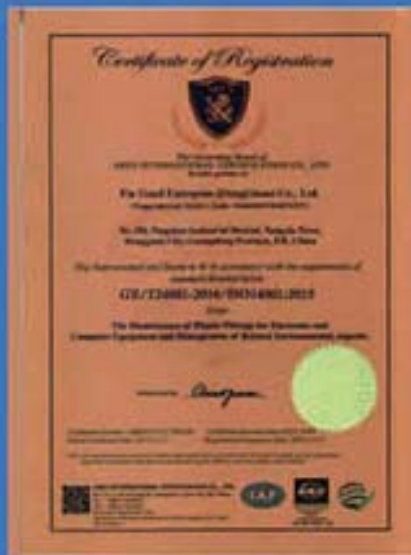
客戶對我們的肯定與鼓勵 Appreciation and Encouragement from Customers



專利開發 Patent Development



各項證書



ISO9001品質管理系統政策:

全員參與、客戶滿意、員工高興、永續經營。

品固企業致力於品質持續改善的過程，以符合 ISO 9001 品質管理系統之需求，為此目標我們必須提供最優先順序的產品和服務品質，以有效的品質管理系統持續改善，來實現海內外廣大的客戶群滿意的品質保證。

ISO14001環境管理系統政策:

節省能源減少廢棄物、減低污染回收再利用

環境保護是品固企業身為地球公民一份子的重要責任。品固企業向其所有員工、客戶及社會大眾承諾，每一管理運作均以可靠的、符合環境保護的方式進行。製程中所產生的各項污染、廢棄物的預防及減低，以及資源回收再利用，是我們對環境保護持續改善的主要方向。

QC 080000產品無有害物質管理系統政策:

符合法規預防汙染、綠色採購持續改善。

面對當前全球環境保護趨勢及各項環境保護法令之持續要求，品固企業持續以最新的技術及不間斷之管理制度，善盡地球環境保護的一份心力，為社會及企業永續經營而努力。品固企業在設計初期便將環境管理物質納入設計規劃重點，嚴格要求供應鏈提供的原物料，必須遵守國際相關環保法規，以及品固企業訂定的環境管理物質技術標準以及管制內容。

品固企業環境管理物質沿革：

- 1.自2006年起，本公司所有產品已全面導入符合歐盟RoHS指令的要求，環保檢測實驗室亦同時成立。
- 2.2009年起，因應國際綠色組織提出鹵素化合物對於人體及環境具有潛在危害的訴求，開始導入無鹵素(Halogen Free, HF)產品。
- 3.2009年起，歐盟REACH法規公布，開始與供應商合作調查產品中化學成分，確保產品中不含REACH法規中所規範的高關注物質(Substance of Very High Concern, SVHC)。
- 4.2010年，鑑於國際間關注非洲地區所開採之衝突礦產(錫、金、鉍、鎢)於電子電機產品中的使用狀況，品固企業產品中並不含有上述成分，亦要求供應商需於材料承認階段，即承諾產品中不可使用衝突礦產。

品固企業對碳排放減量之承諾

品固企業深知氣候變遷是因人類活動產生大量溫室氣體，造成了地球溫度的上升，做為地球公民的一份子，必須要善盡社會責任！

品固企業：

- 1.建立有效的碳/溫室氣體排放量的盤查
- 2.從減碳思維更進一步提昇整體作業流程
- 3.在生產的過程中減少碳排放
- 4.對廠內製程進行碳管理



品固企業推動碳/溫室氣體減量及改善計畫，持續對環境保護盡一份心力，以提供環保、減碳的綠色產品給廣大的海內外客戶，期許能帶來企業永續經營的利器及成為節能減碳之業界先驅者，與大家一同邁向低碳家園之路。

品固企業從2013推行節能至今，

- (1) 每間員工宿舍安裝冷氣，使員工能得到更好的休息。
- (2) 生產車間安裝空調，使員工可以在更舒適的環境下工作。
- (3) 太陽能發電，對地球環保盡一份責任。

ISO9001 Quality Management System

We continue following the most effective quality management system to have continuous improvements in the quality of our product & service to achieve our domestic and global customers' satisfaction.

ISO14001 Environmental Management System

Environmental Protection is all our responsibilities. PINGOOD has also adopted the internal controls to have ISO 14001 compliance from the resources and production processes to meet energy saving, reduction in waste and consumption of resources and minimize the impact to the environmental for a long term viability of businesses.

QC 080000 Hazardous Substance Process Management System

Today, we are facing the ongoing global environmental protection requirements. PINGOOD has implemented with the latest technology and continuous improvement management system to meet the environmental friendly from the design phase, material from the supply chains, to mass production all comply with the updated global environmental regulations.

Milestone of Green procurement of sources:

2006 Meet RoHS Compliant

2009 Meet REACH Requirement & Implement to Halogen Free products.

2010 Commit not to use conflict minerals

Carbon footprint Verification

In 2012, PINGOOD has conducted effective carbon/GHG emission verification to further enhance in the overall production process flow to reduce carbon emissions and done the extra environmental protection efforts toward a long term business goal.

模具部 Molding Division



CNC Machining center



FANUC CNC Machining center



Sodick CNC Electric discharge machine



CNC Electric discharge machine



Seibu Slow wire cutting machine



Slow wire cutting machine



Metal Cutting Machine Tools



Mold Department Inspection Room

成型部 Injection Division



Japan TOYO Fully Electric Injection Molding Machine



Vertical Injection Molding Machine



Japan TOYO Fully Electric Injection Molding Machine



Japan TOYO Fully Electric Injection Molding Machine



Japan TOYO Fully Electric Injection Molding Machine



Injection Division Clean room



Injection Division



Injection Division



Sales and Marketing Division



Sales and Marketing Division



Taiwan Factory: ZHONGLI 中壢



Taiwan Factory: ZHONGLI 中壢



Guangdong Factory:
DONGGUAN 東莞



Guangdong Factory:
DONGGUAN 東莞



Suzhou Factory: SUZHOU 蘇州



Suzhou Factory: SUZHOU 蘇州

RoHS laboratory (GC-MS) Analysis Process

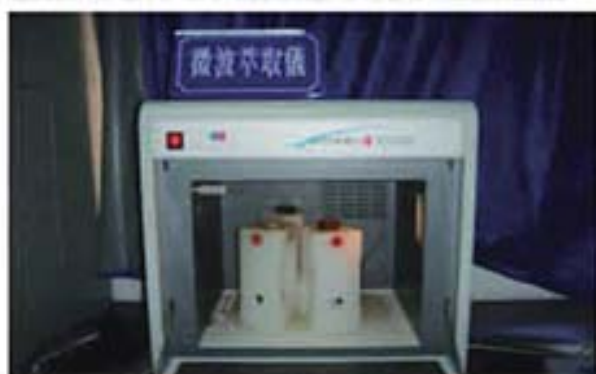


RoHS laboratory (X-Ray) Inspection Process



In order to fulfill the responsibility for environmental protection, the environmental friendly substances are tested and checked.

The HITACHI EA1000A III X-ray Fluorescence Analyzer: Meet the EU RoHS Directive and the rapid detection and analysis of hazardous substances in electrical and electronic product , e.g.: Cd · Pb · Hg · Cr · Br · As · Sb, etc. Complying with Halogen free requirement, we use XRF (X-ray Fluorescence Spectrometer) to analysis the content to meet customer requirement. GC-MS (Gas chromatography – mass spectrometry) for the detection of PBB, PBDE, Phthalates in organic solvents.



Microwave Extracted Device



Microwave Extracted Device



HITACHI EA1000A III X-ray
Fluorescence Analyzer

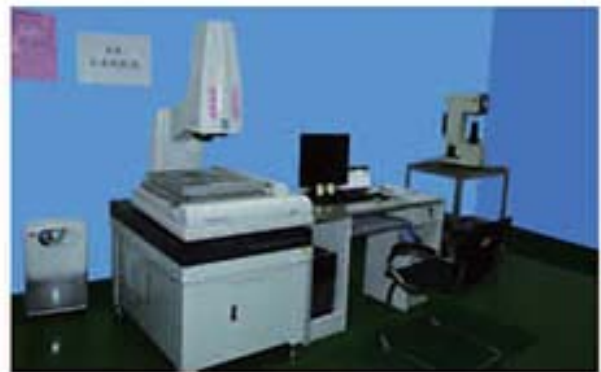


GC-MS
(Gas chromatography – mass spectrometry)

— 產品開發流程 Product Development Process —



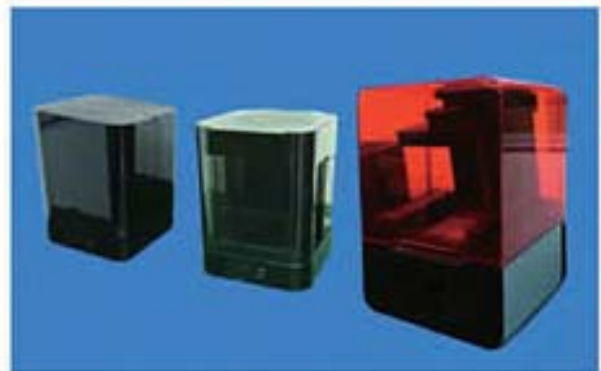
Design Team Joint development



3D Laser Scanner Micro Vu Vertex 311HC Apple Designated machine



Verification acceptance



SLA 3D Printer



3D Printer sample

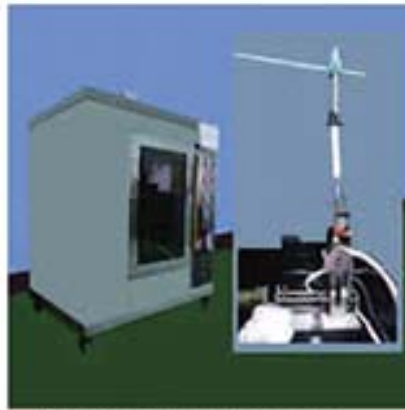


Rapid prototyping sample

實驗室儀器 Laboratory equipment



Destructive testing machine



Flame test apparatus



Programmable Temperature and Humidity Chamber



Colorimeter



Image Dimension Measurement System



2.5D Non-Contact Video Measuring System



Tensile testing machine



3D printer



Digimatic Height Gage



Rockwell Type Hardness tester



Constant speed and force tester



Melt Flow Indexer



Education and training



Education and training



Custom-made products



Operating system



Automatic packaging machine



Ultrasonic cleaner



Mold Storage Room



Production assembly processing

PINGOOD



門扣, 阻尼器, 導光棒 LATCH, DAMPER, LIGHT PIPE

PINGOOD

<p>1-30</p> 	<p>1-31</p> 	<p>1-32</p> 	<p>1-33</p> 
<p>1-34</p> 	<p>1-35</p> 	<p>1-36</p> 	<p>1-37</p> 
<p>1-38</p> 	<p>1-39</p> 	<p>1-40</p> 	<p>1-41</p> 
<p>1-42</p> 	<p>1-43</p> 	<p>1-44</p> 	<p>1-45</p> 
<p>1-46</p> 	<p>1-47</p> 	<p>1-48</p> 	<p>1-49</p> 
<p>1-50</p> 	<p>1-51</p> 	<p>1-52</p> 	<p>1-53</p> 
<p>1-54</p> 	<p>沒有完美的個人，只有完美的團隊 團隊精神是企業文化的核心</p>		

線扣,護線環,塞環 BUSHING,SNAP BUSHING

PINGOOD



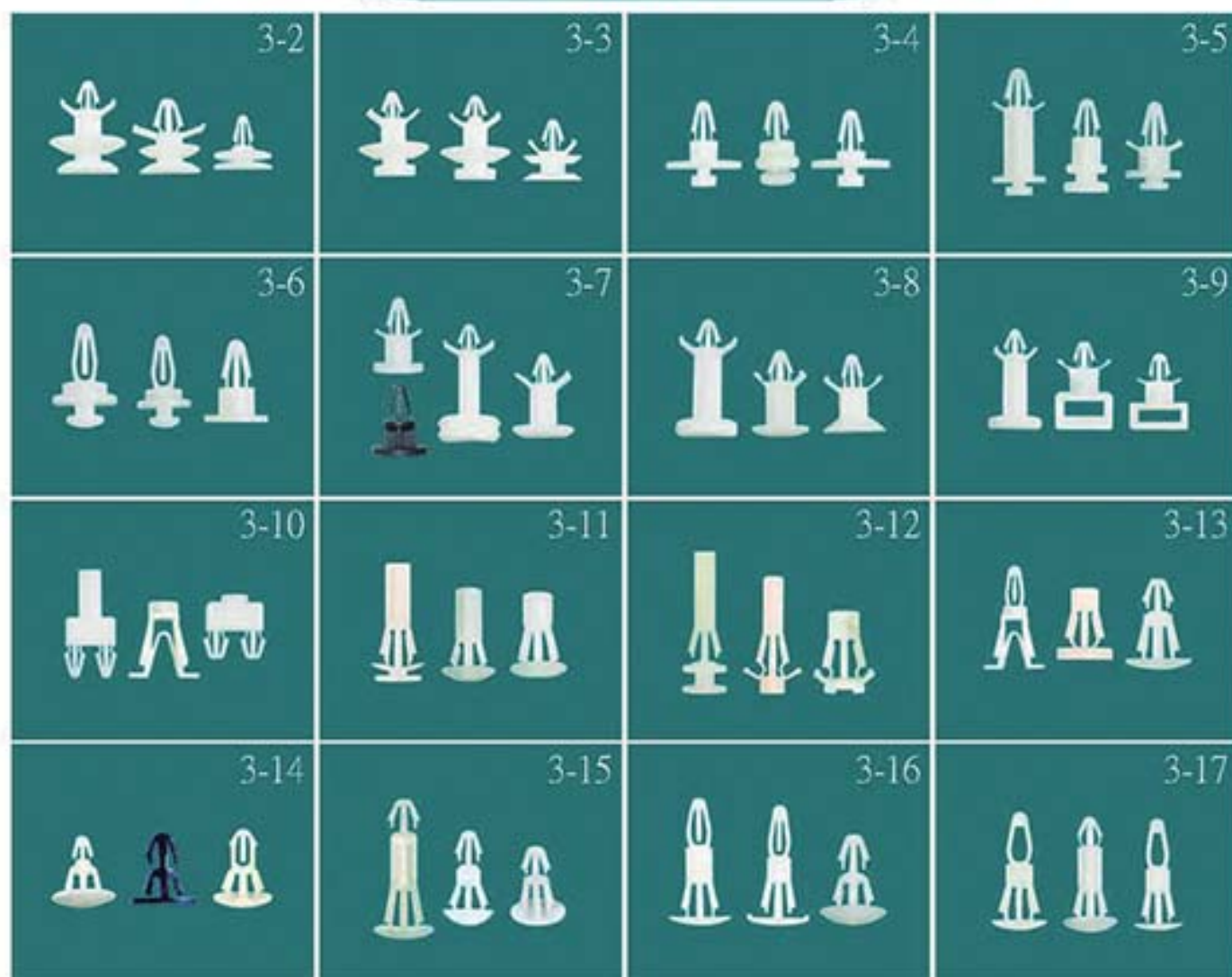
線扣, 護線環, 塞環 BUSHING, SNAP BUSHING

PINGOOD



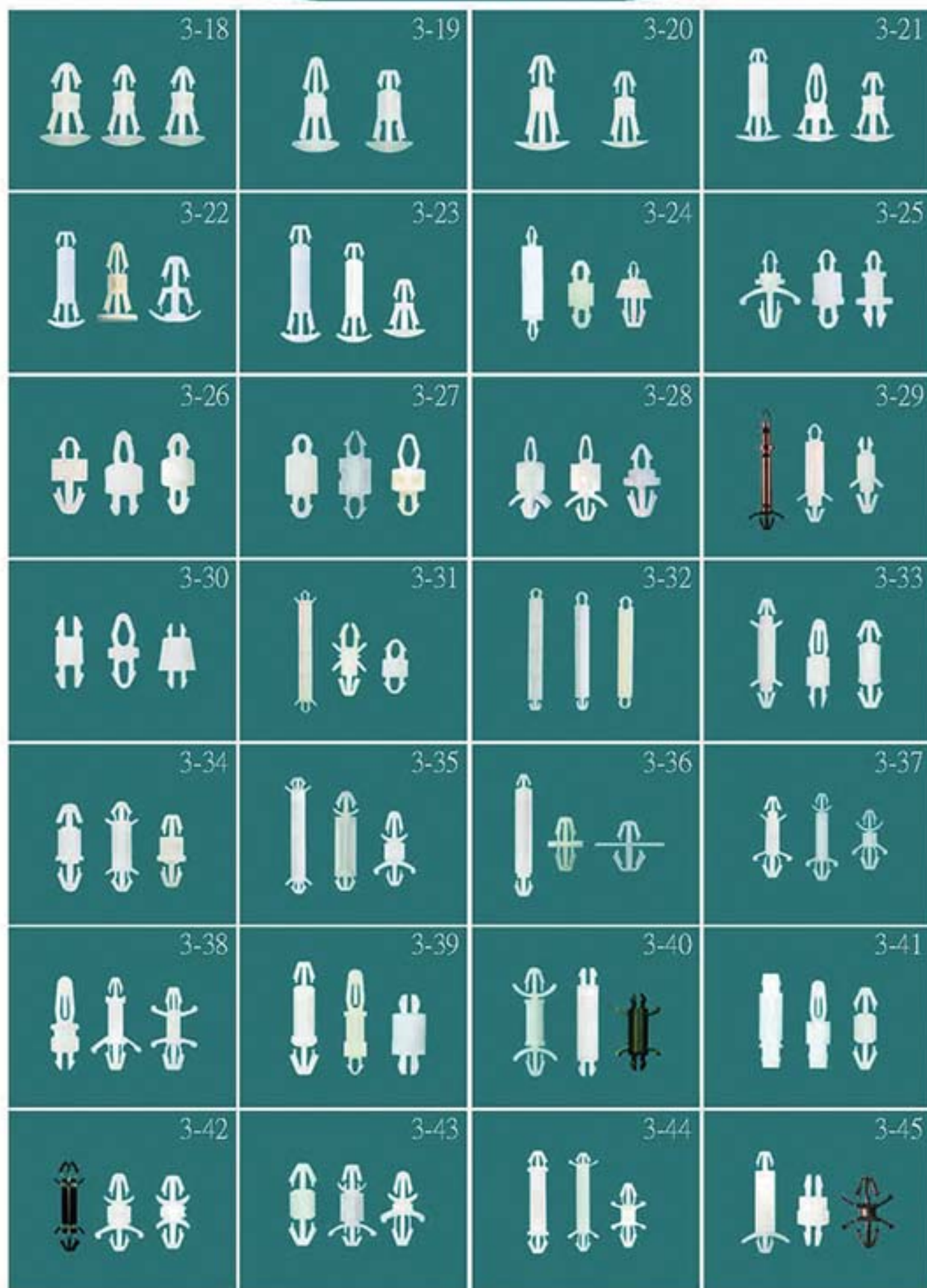
P.C.板間隔柱 SPACER SUPPORT

PINGOOD



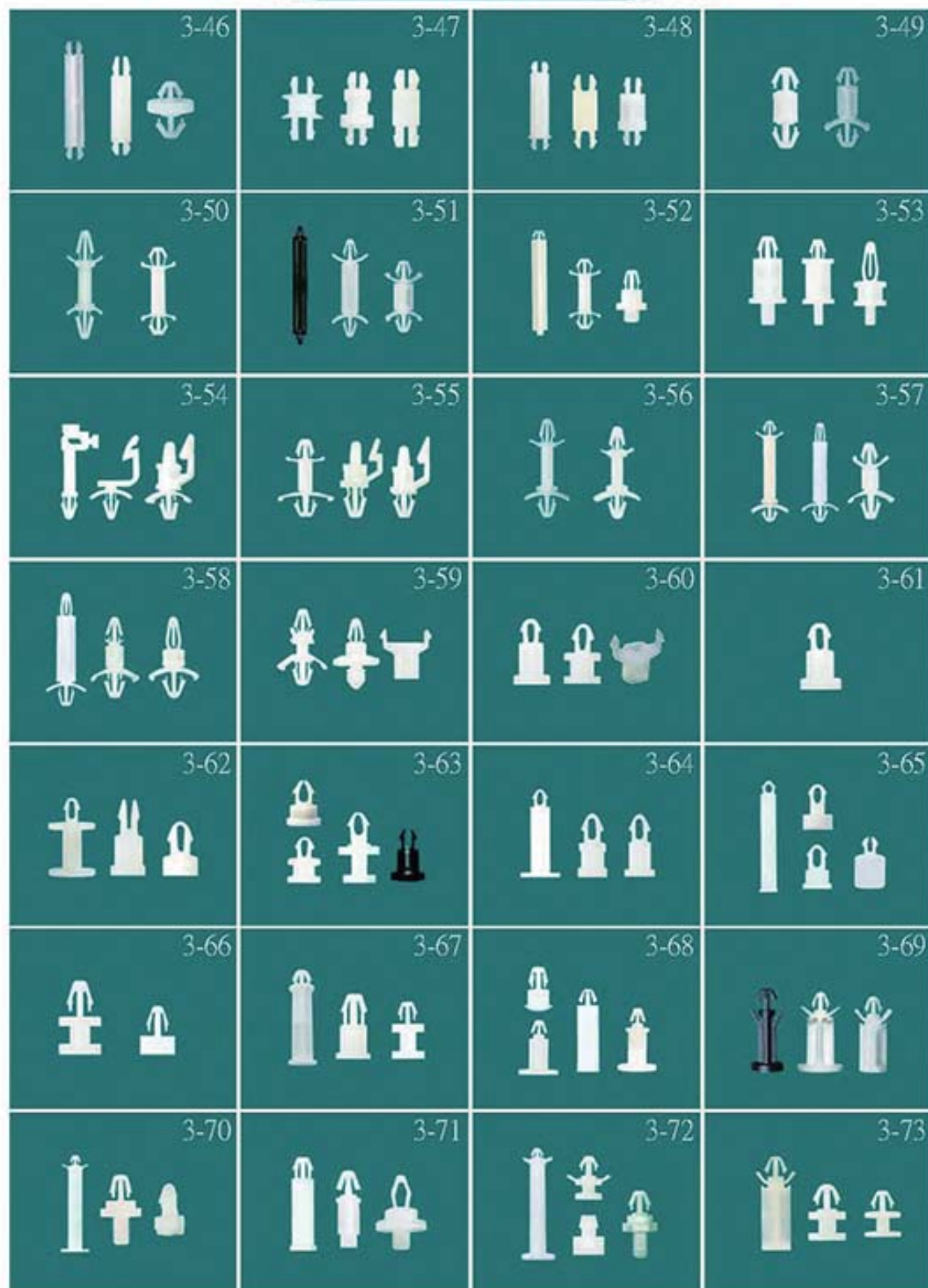
P.C.板間隔柱SPACER SUPPORT

PINGOOD















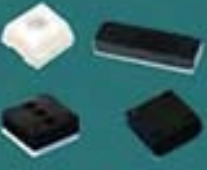















P.C.板間隔柱SPACER SUPPORT

PINGOOD



P.C.板間隔柱SPACER SUPPORT

PINGOOD

<p>3-74</p> 	<p>3-75</p> 	<p>3-76</p> 	<p>3-77</p> 
<p>3-78</p> 	<p>3-79</p> 	<p>3-80</p> 	<p>3-81</p> 
<p>3-82</p> 	<p>3-83</p> 	<p>3-84</p> 	<p>3-85</p> 
<p>3-86</p> 	<p>3-87</p> 	<p>3-88</p> 	<p>3-89</p> 
<p>3-90</p> 	<p>3-91</p> 	<p>3-92</p> 	<p>3-93</p> 
<p>3-94</p> 	<p>3-95</p> 	<p>3-96</p> 	<p>3-97</p> 
<p>3-98</p> 	<p>3-99</p> 	<p>3-100</p> 	<p>3-101</p> 

P.C.板間隔柱SPACER SUPPORT

PINGOOD

3-102



3-103



3-104



3-105



3-106



3-107



3-108



3-109



3-110



3-111



3-112



3-113



3-114



3-115



3-116



3-117



3-118



3-119



3-120



3-121



3-122



3-123



3-124



3-125



3-126



3-127



3-128



3-129



P.C.板間隔柱SPACER SUPPORT

PINGOOD



LED 套, LED 座 LED HOLDER, LED HOUSING

PINGOOD

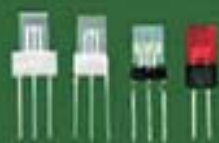
4-2



4-3



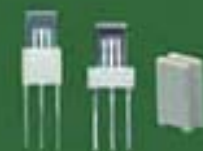
4-4



4-5



4-6



4-7



4-8



4-9



4-10



4-11



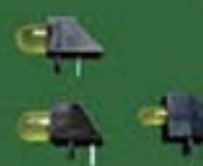
4-12



4-13



4-14



4-15



4-16



4-17



4-18



4-19



4-20



4-21



4-22



4-23



4-24



4-25



4-26



4-27



4-28



4-29



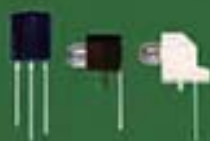
LED 套, LED 座 LED HOLDER, LED HOUSING

PINGOOD

4-30



4-31



4-32



4-33



4-34



4-35



4-36



4-37



4-38



4-39



4-40



4-41



4-42



4-43



4-44



4-45



4-46



4-47



4-48



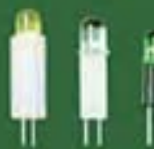
4-49



4-50



4-51



4-52



4-53



4-54



4-55



4-56



4-57



LED 套, LED 座 LED HOLDER, LED HOUSING

PINGOOD

<p>4-58</p> 	<p>4-59</p> 	<p>4-60</p> 	<p>4-61</p> 
<p>4-62</p> 	<p>4-63</p> 	<p>4-64</p> 	<p>4-65</p> 
<p>4-66</p> 	<p>4-67</p> 	<p>4-68</p> 	<p>4-69</p> 
<p>4-70</p> 	<p>4-71</p> 	<p>4-72</p> 	<p>4-73</p> 
<p>4-74</p> 	<p>4-75</p> 	<p>4-76</p> 	<p>4-77</p> 
<p>4-78</p> 	<p>卓越的效能，優質的團隊 頂尖的創意，專業的服務</p>		

今天比昨天做得好，明天比今天做得更好
勝任本職就是人才，創新開拓就是優秀人才

鉚釘, 螺絲, 螺帽, 扣具 PLASTIC FASTENER

PINGOOD

5-2



5-3



5-4



5-5



5-6



5-7



5-8



5-9



5-10



5-11



5-12



5-13



5-14



5-15



5-16



5-17



5-18



5-19



5-20



5-21



5-22



5-23



5-24



5-25



5-26



5-27



5-28



5-29



鉚釘, 螺絲, 螺帽, 扣具 PLASTIC FASTENER

PINGOOD

5-30



5-31



5-32



5-33



5-34



5-35



5-36



5-37



5-38



5-39



5-40



5-41



5-42



5-43



5-44



5-45



5-46



5-47



5-48



5-49



5-50



5-51



5-52



5-53



5-54



5-55



5-56



5-57






鉚釘, 螺絲, 螺帽, 扣具 PLASTIC FASTENER

PINGOOD

<p>5-58</p> 	<p>5-59</p> 	<p>5-60</p> 	<p>5-61</p> 
<p>5-62</p> 	<p>5-63</p> 	<p>5-64</p> 	<p>5-65</p> 
<p>5-66</p> 	<p>5-67</p> 	<p>5-68</p> 	<p>5-69</p> 
<p>5-70</p> 	<p>5-71</p> 	<p>5-72</p> 	<p>5-73</p> 
<p>5-74</p> 	<p>5-75</p> 	<p>5-76</p> 	<p>響應環保 減碳計畫</p>

線材固定, 線材隔離 CABLE CLAMP, SADDLE

PINGOOD

<p>6-2</p> 	<p>6-3</p> 	<p>6-4</p> 	<p>6-5</p> 
--	--	---	--

線材固定,線材隔離 CABLE CLAMP,SADDLE

PINGOOD



線材固定,線材隔離CABLE CLAMP,SADDLE

PINGOOD



線材固定,線材隔離CABLE CLAMP,SADDLE

PINGOOD

6-62



6-63



6-64



6-65



6-66



6-67



6-68



6-69



6-70



6-71



6-72



6-73



6-74



6-75



6-76



6-77



6-78



6-79



6-80



6-81



6-82



6-83



6-84



6-85



6-86



6-87



6-88































6-89




線材固定,線材隔離CABLE CLAMP,SADDLE

PINGOOD

 <p>6-90</p>	 <p>6-91</p>	 <p>6-92</p>	 <p>6-93</p>
 <p>6-94</p>	 <p>6-95</p>	 <p>6-96</p>	 <p>6-97</p>
 <p>6-98</p>	 <p>6-99</p>	 <p>6-100</p>	 <p>6-101</p>
 <p>6-102</p>	 <p>6-103</p>	 <p>6-104</p>	 <p>6-105</p>
 <p>6-106</p>	 <p>6-107</p>	 <p>6-108</p>	 <p>6-109</p>
 <p>6-110</p>	 <p>6-111</p>	 <p>6-112</p>	 <p>6-113</p>
 <p>6-114</p>	 <p>6-115</p>	 <p>6-116</p>	 <p>6-117</p>

線材固定, 線材隔離 CABLE CLAMP, SADDLE

PINGOOD

6-118 	6-119 	6-120 	6-121 
6-122 	6-123 	6-124 	6-125 
6-126 	6-127 	6-128 	6-129 
6-130 	6-131 	6-132 	6-133 
6-134 	6-135 	6-136 	6-137 
6-138 	6-139 	6-140 	6-141 
6-142 	6-143 	6-144 	6-145 

線材固定, 線材隔離 CABLE CLAMP, SADDLE

PINGOOD



EMI扣 SLEEVE FERRITE CLAMP

PINGOOD



電子零附件 PCB ASSEMBLY COMPONENTS

PINGOOD



電子零附件 PCB ASSEMBLY COMPONENTS

PINGOOD





PINGOOD

8-62



8-63



8-64



8-65



8-66



8-67



8-68



8-69



8-70



8-71



8-72



8-73



8-74



8-75



8-76



8-77



8-78



8-79



8-80



8-81



8-82



8-83



8-84



8-85



8-86



8-87



勤思巧幹苦攀
風逆我自昂揚

腳墊,燙金腳墊,墊座 PLASTIC RUBBER FOOT

PINGOOD

9-2 	9-3 	9-4 	9-5 
9-6 	9-7 	9-8 	9-9 
9-10 	9-11 	9-12 	9-13 
9-14 	用心才能創新，競爭才能發展 培育合作員工，創造合作團隊		




















拉柄 CIRCUIT BOARD EJECTOR

PINGOOD

10-2 	10-3 	10-4 	10-5 
10-6 	10-7 	追求卓越，掌握先機 打造未來，共享願景	





導槽 P.C.B GUIDE RAIL

PINGOOD

 <p>11-2</p>	 <p>11-3</p>	 <p>11-4</p>	 <p>11-5</p>
 <p>11-6</p>	 <p>11-7</p>	 <p>11-8</p>	 <p>11-9</p>
 <p>11-10</p>	 <p>11-11</p>	 <p>11-12</p>	 <p>11-13</p>
 <p>11-14</p>	 <p>11-15</p>	 <p>11-16</p>	 <p>11-17</p>
 <p>11-18</p>	 <p>11-19</p>	 <p>11-20</p>	<p>需求萬變 努力不變</p>

束線帶 CABLE TIES

PINGOOD

 <p>12-2</p>	 <p>12-3</p>	 <p>12-4</p>	 <p>12-5</p>
---	---	--	---

束線帶 CABLE TIES

PINGOOD

<p>12-6</p> 	<p>12-7</p> 	<p>12-8</p> 	<p>12-9</p> 
<p>12-10</p> 	<p>12-11</p> 	<p>12-12</p> 	<p>12-13</p> 
<p>12-14</p> 	<p>12-15</p> 	<p>12-16</p> 	<p>12-17</p> 
<p>12-18</p> 	<p>12-19</p> 	<p>12-20</p> 	<p>12-21</p> 
<p>12-22</p> 	<p>12-23</p> 	<p>12-24</p> 	<p>12-25</p> 
<p>12-26</p> 	<p>以人才為根本，以市場為導向 以質量為保證，以服務為宗旨</p>		

一個優秀的團隊文化釀造出優秀的人
愛崗敬業、開拓進取、創新服務、放眼未來

其他塑膠製品 HANDLE, HOUSING, COVER

PINGOOD



其他塑膠製品 HANDLE, HOUSING, COVER

PINGOOD

<p>13-30</p> 	<p>13-31</p> 	<p>13-32</p> 	<p>13-33</p> 
<p>13-34</p> 	<p>13-35</p> 	<p>13-36</p> 	<p>13-37</p> 
<p>13-38</p> 	<p>13-39</p> 	<p>13-40</p> 	<p>13-41</p> 
<p>13-42</p> 	<p>13-43</p> 	<p>13-44</p> 	<p>13-45</p> 
<p>13-46</p> 	<p>13-47</p> 	<p>13-48</p> 	<p>13-49</p> 
<p>13-50</p> 	<p>13-51</p> 	<p>13-52</p> 	<p>13-53</p> 
<p>13-54</p> 	<p>13-55</p> 	<p>13-56</p> 	<p>13-57</p> 

其他塑膠製品 HANDLE, HOUSING, COVER

PINGOOD



其他塑膠製品 HANDLE, HOUSING, COVER

PINGOOD




其他塑膠製品 HANDLE, HOUSING, COVER

PINGOOD

<p>13-114</p> 	<p>13-115</p> 	<p>13-116</p> 	<p>創新是魂 人才是本</p>
---	---	--	----------------------

端子附件, 五金 HARDWARE

PINGOOD

<p>14-2</p> 	<p>14-3</p> 	<p>14-4</p> 	<p>14-5</p> 
<p>14-6</p> 	<p>14-7</p> 	<p>14-8</p> 	<p>14-9</p> 
<p>14-10</p> 	<p>14-11</p> 	<p>14-12</p> 	<p>14-13</p> 
<p>14-14</p> 	<p>14-15</p> 	<p>歡迎您的來電洽詢 我們竭誠為您服務</p>	

企業的成功來自於每一位員工的付出
信譽為本、服務是根、扶掖人才、敬業榮群

索引 INDEX

【数字】	ABH	6-14	BWH	13-5	CH-10K	3-102	CKT	6-118
101A~112NP	ABK	6-17	BWJ	13-6	CHA	6-126	CKW	6-20
103C~115MC	AC	3-6	BWK	13-2	CHB	6-114	CKX	6-117
3-140,3-141	ACBK	3-7	BWN	13-3	CHF	6-12	CKY	6-117
201~338	ACBS	3-4~3-7	BXR	12-24		6-135,6-137	CKZ	6-20
3-142	ACK	5-46	【C】		CHFA	6-13	CLA	4-49
2A	ACMS	3-4	C系列整度		CHFD	6-14	CLED	4-37
2CH	ACT	3-6		9-7,9-10	CHFK	6-139		4-39~4-47
2CS	AD	3-132,3-135	CAC	6-61	CHFM	6-137	CM	6-60
2LEA	ADA	3-136	CAF	6-145	CHFQ	6-13	CMA	6-48
2LED	ADF	3-133	CAP	8-59	CHG	6-136	CMB	6-70
2RF	ADGF	3-137	CAR	6-14	CHH	6-128	CMC	6-46
3CH	ADH	3-132	CBG	6-57	CHJ	6-64	CMD	6-143
3LED	ADJ	3-135	CBS	3-59	CHK	6-65	CMG	6-118
3LEL	ADHM	3-136	CBD	3-150,3-151	CHL	6-61	CMF	6-17
3RF	ADK	3-132	CBL	3-152	CHM	6-57	CMK	6-56
401AF~9634C	ADM	3-136	CBLA	3-152	CHN	6-72	CML	6-15
3-139,3-140	ADP	3-133	CBPA	3-154	CHP	6-79	CMM	6-119
3-143	ADQ	3-133	CC	6-73	CHQ	6-115	CMP	6-145
40M	AF	3-6	CCA	6-74	CHR	6-49	CMQ	6-119
4LED	AM	13-61	CCD	6-73	CHST	6-126	CMR	6-2,6-3
4-72	【B】		CCF	6-78	CHT	6-45	CMRW	6-46
4-74,4-75	BAK	6-73	CD	6-70	CHU	6-18	CMS	6-139
4LEL	BAR	6-130	CDA	13-15	CHW	6-7~6-9	CMW	6-97
4RF	BCBS	3-80	CDF	6-71	CHX	6-74	CMX	6-2
5LED	BCMS	3-80	CDS	13-7~13-14	CHY	6-77	CMZ	6-55
5LEL	BFA	13-103	CDT	13-15	CIC	6-75	CNA	6-71
5R	BFN	12-24	CDY	13-14	CID	6-45	CND	6-80
5RF	BH	2-23~2-25	CF	11-2	CIK	6-76	CNF	6-137,6-138
601~901,60*	BH-5~7	13-32	CFG	11-15	CIM	6-125	CNFA	6-138
8-58~8-63	BHA	2-23,2-24	CFK	6-66	CIS	6-75,6-76	CNFK	6-137
6FW-10	BHB	1-44	CFP	13-66	CJA	6-47	CNG	6-77
6FW-11	BHR	13-74	CG	11-2~11-14	CK	6-63,6-64	CNH	6-142
6LED	BJA	13-6,13-7	CGB	11-17	CKA	6-116	CNJ	6-144
6R	BSA	13-2~13-4	CGL	11-13	CKB	6-116	CNK	6-138
7R	BSC	13-4	CGM		CKF	6-81	CNQ	6-140
8LED	BSG	13-3		11-17~11-19	CKH	6-69	CNR	6-140
8R	BSQ	12-26	CGR	13-94	CKIM	6-78	CNTF	6-139
9R	BSR	6-82	CGT	11-15	CKK	6-83,6-84	CNW	6-141
10LED	BSW	12-6	CGW	11-15		6-122	CNWZ	6-142
15LED	【A】		CGZ	11-16	CKL	6-78	CP	10-2~10-7
	BST	12-4,12-5	CH	6-46~6-48	CKM	6-19,6-20	CQ	13-17,13-18
A		12-19~12-24		6-50~6-53	CKN	6-117	CQA	3-144
AAA	BSTH	12-4		6-58~6-62,6-64	CKP	6-82	CRC	6-97
AB	BSX	12-5		6-68,6-71,6-72	CKQ	6-80,6-81	CRN	6-97
6-3~6-5	BWA	13-5		6-147,6-148	CKR		CS	6-53,6-54
6-10~6-13	BWD	13-6	CH-08F,08K			6-127,6-128		6-73
6-15~6-17	BWF	13-5		3-102	CKS	6-62,6-63	CSA	6-57
6-131								
ABD								

索引 INDEX

CSF	6-45	CYJ	6-100	DHD	13-62	EDN	1-27,1-28	FBF	6-45
CSK	6-62	CYK	6-69	DHM	13-114	EDN-05,5C	1-32	FBM	6-103
CST	8-87	CYL	6-92	DL	1-3~1-6	EDP	4-58	FC	6-39,6-40
CT	2-23	CYM	6-93		1-8~1-14	EDQ	4-34		6-105
CTK	6-94	CYP	6-93	DLA	1-2	EDR	4-10	FC-002	14-8
CTM	6-94	CYQ	6-92	DLB	1-6	EDT	4-20	FCA	6-100
CTR	6-119	CYR	6-93	DLC	1-5	EDW	4-21	FCB	3-11
CTT	6-140	CYS	6-70	DLF	1-6	EDZ	1-28,1-29	FCC	6-43,6-85
CTX	6-55,6-121	CYW	6-65	DLK	1-7	EEA	4-49		6-87,6-104
CU	6-26,6-27	CYWF	6-66	DLM	1-5	EEB	4-33	FCD	6-42,6-44
	6-67,6-68	CYX	6-145	DMI	13-83,13-84	EEC	4-26	FCF	6-44
	6-75,6-102	CZA	6-51	DMK	3-31	EED	13-2	FCG	6-104
CUA	6-66	CZB	6-51	DP	13-89	EEF	4-34,4-35	FCH	6-129
CUD	6-101	CZC	6-48	DPM	13-30	EEG	4-60	FCJ	6-103
CUH	6-57	CZD	6-133	DPS	13-30	EEH	4-25	FCK	6-101
CUK	6-56	CZF	6-52	DPX	13-31	EEJ	4-34	FCM	6-40,6-41
CW	8-3,8-4	CZH	6-50	DS	2-13	EEK	4-26		6-97,6-98
	8-14,8-15	CZJ	6-9		2-16~2-19	EEL	4-10	FCM-01	6-143
CWA	8-18,8-19	CZK	6-18		2-21,2-22	EEM	4-25	FCM-20*	
CWB	8-7	CZL	6-56	DSC	2-22	EEN	4-19		6-128,6-129
CWC	8-7	CZM	6-58	DSF	2-15	EEP	4-60	FCM-35*	6-130
CWD	8-8,8-9	CZQ	6-9	DSH	2-20	EES	4-8	FCP	6-5
CWF	8-5,8-6	CZR	6-51	DSW	2-15,2-16	EET	4-57	FCQ	6-89~6-91
CWG	8-7	CZS	6-54	DUA	13-114	EEW	4-16	FCR	6-40
CWH	8-8	CZW	6-18	DVI	13-85	EKB	4-28	FCS	6-86
CWJ	8-9	CZY	6-58	DXA	8-10~8-13	EKC	4-21	FCSD	6-86
CWL	8-9		[D]	DXC	8-13	EKF	4-19	FCT	3-11
CWM	8-4	D-0710	13-37	DXF	8-13	EKL	4-8	FCW	6-36~6-38
CWP	8-14	DAB	13-24	DXGF	13-99	EKM	4-32	FCWA	6-100
CWQ	8-5,8-14	DAG	3-120	DXH	8-14	EKN	4-27	FCWB	6-144
CWR	8-18	DAH	13-44	DXK	8-10	EKT	4-27	FCX	6-88,6-89
CWS	8-8	DAP	13-23	DXM	8-10	ELA	4-15	FCY	6-39
CWT	8-10	DC		DXP	8-11	EMQ	7-3	FCZ	6-88
CWU	8-20		13-109~13-112	DXS	8-13	EMR	7-2	FDD	6-33
CWW	8-19	DCBS	3-66,3-67	DXW	8-27	EQA	4-53	FDH	6-96
CWX	8-3	DCC	13-61,13-62		[E]	EQC	4-50	FDK	6-28
CWY	8-11	DCJ	13-62	ECW	4-59	EQF	4-54	FDM	6-27
CWZ	8-4	DCMS	3-73	EDA	4-28	EQH	4-54	FDP	6-103
CXK	6-88	DCQ	13-33	EDC	4-27		[F]	FDQ	6-42
CXR	6-84	DCR	3-155	EDD	4-59	FAA	6-86,6-87	FDW	6-26
CXT	6-122	DCRJ	3-154	EDE	4-7	FAC	6-135	FDX	6-27
CYA	6-85	DDS	2-14,2-15	EDF	4-8	FAF	6-136	FFR	3-11
CYB	6-91	DDS-04	2-25	EDG	4-58,4-59	FAG	6-136	FGH	6-10
CYC	6-91	DFA	6-122	EDH	4-4	FAK	6-143	FH	13-38
CYD	6-92	DFB	6-155	EDJ	4-25	FAM	6-119	FIB	13-90
CYF	3-97	DFG	6-131	EDK	1-30~1-33	FB	6-39	FJH	3-155,3-156
CYG	6-85	DFK	6-131	EDL	4-26	FBA	13-16	FJW	3-153
CYH	6-69	DFQ	6-156	EDM	4-29	FBC	6-102,6-103	FK	3-10

索引 INDEX

FKC	3-96,3-97	FXA	3-153	HCL	13-65	HUA	8-25	L系列垫座	
FKD	3-95	FYA	12-16	HCM	13-68,13-69	HUC	8-26		9-10,9-11
FKK	3-126	FYB	12-15	HCP	13-74,13-75	HUD	8-25	L-9A	3-60
FKM	3-95	FYC	6-101	HCQ	13-60	HUF	8-74	L-16*	3-59
FLA	6-121	FYD	12-16	HCR	13-73,13-75	HUG	8-15	LBB	3-58
FLED	4-48	FYH	6-94	HCS	13-76	HUH	8-24	LBC	3-42,3-43
FMG	3-157	FYK	6-28		13-89,13-90	HUJ	8-65~8-67	LBCM	3-37
FMQ	3-157	FYL	12-17	HCW	13-65	HUK	8-64	LBD	3-35
FMY	3-156	FYM	6-29	HCX	13-75	HUL	8-26	LBK	3-25
FN	14-10	FYS	6-24	HCZ	13-66	HUM	8-27	LCA2	3-29
FQC	6-129	FZA	3-154	HD	13-36,13-37	HUP	8-26	LCA3	3-33
FRAC	6-20	【G】		HDA	13-36	HUQ	8-68	LCA35	3-42
FS	6-5	GCA	13-113	HDB	13-83	HUT	8-67		3-44,3-45
FSA	6-134	GL	9-2~9-4	HDD	13-71	HUX	8-18	LCA4	3-50
FSC	6-27	GLA	9-5	HDK	13-72	HWH	3-145	LCAS	3-50
FSD	6-31	GLC	9-13	HDP	13-101	【I】		LCB3	3-37
FSK	6-134	GLD	9-14	HDQ	13-76	ICA	8-67	LCBA	3-37
FSL	6-28	GLE	9-6	HDT	13-76	ICC	8-67	LCBS	3-56,3-57
FU	6-5	GLED	4-43	HDY	13-83	IRK	14-14,14-15	LCC	3-57,3-58
FUA	6-6	GLH	8-48	HDZ	13-70	【J】		LCD	3-51
FUM	6-6	GLQ	9-12,9-13	HF	13-77	JFW	14-9	LCF	3-45
FUS	6-6	GMC	9-6,9-7	HFC	13-16	JG	14-8	LCFA	3-49
FW	6-21~6-26	GQH	8-48	HFK	13-77		14-10~14-14	LCG	3-74
	6-28~6-31	GSA	8-50~8-52	HFX	13-116	JH	14-4,14-5	LCH	3-38
	6-33,6-34	GSB	8-53	HGB	3-145	JP	14-5~14-7	LCJ	3-29
	6-95,6-96	GSD	8-51	HHJ	3-145	JT	14-2,14-3	LCK	3-52
FW-08A	6-140	GSG	8-47	HHP	1-33,1-34	【K】		LCM3,LCM5	13-27
FW-CD30	6-32	GSH	8-50	HHQ	1-44	KCA	3-49	LCQ	3-41
FWA	6-35	GSK	8-49	HJA	8-66	KDD	3-12	LCR	3-29
FWB	6-31	GSM	8-52,8-53	HKA	13-67	KDH	3-12	LCS	3-40
FWC	6-74	GSP	9-14	HP	13-18	KDM	3-12	LCX	3-31
FWD	6-74	GSQ	8-49	HPA	13-30	KFD	3-151	LCWS	3-55
FWF	6-6,6-7	GTT	9-13	HPM	13-95	KFDX	3-157	LCY	3-28
FWG	6-31,6-32	GXA	9-14	HS	13-38~13-43	KFL	3-151	LCZ	3-104
FWH	6-82	【H】			13-45	KHA	3-24	LD	3-127,3-128
FWI	6-136	H,H2M,H4	3-146	HSA	13-38	KLED	4-37,4-38	LDA	9-14
FWJ	6-120	HB	13-60,13-61	HSD	13-43	KPD	3-95	LDAD	1-53
FWK	6-134	HBA	13-66	HSF	13-45,13-46	KWT	3-140,3-141	LDHD	1-52
FWM	12-15,12-16	HBC	13-64,13-65	HSL	13-44	KYA	6-144	LEA	4-9,4-31
FWP	6-34,6-35	HBF	13-65	HSM	13-41	KYC	6-123	LEAD	1-34~1-39
FWQ	6-95	HC	13-59,13-60	HSQ	13-40	KYF	6-123		1-44~1-46
FWR	6-96		13-62	HSW	13-44	KYH	6-125		1-48,1-49
FWS	6-65		13-68~13-73	HTA	13-77	KYK	6-123		1-52,1-54
FWT	6-38	HCA	13-46,13-47	HTD	13-59	KYM	6-124	LEC	4-33
FWW	6-95	HCD	13-74	HU	8-15~8-17	KYR	6-124	LECD	1-49
FWX	6-35	HCG	11-19,11-20		8-20~8-25	KYT	6-124,6-125	LED	4-3
FWY	6-43	HCHA	13-109		8-63,8-64	KYW	6-125		4-14,4-15
FWZ	6-33	HCK	13-77	HU4,HU6	3-147	【L】			4-51~4-53,4-56

索引 INDEX

LED-2x10	4-2	LEY	4-32	LSA	3-2	MAA	5-28	MD	13-18,13-19
LED-2F~5F	4-11	LEYD	1-42	LSB	3-103	MAB	5-28		13-100,13-101
LED3	4-52	LEZ	4-50	LSC	3-93,3-94	MAF	2-32	MDA	13-20
	4-54~4-57	LEZD	1-38	LSD	3-2,3-3,3-7	MB	5-39~5-57	MDB	13-20
LED-3x*	4-4	LFC	6-105	LSF	3-92	MBB	5-43	MDD	13-114
LED3x4	4-4	LFD	6-98	LSH	3-92	MBC	5-45	MDJ	13-19
LED-*x3	4-64	LFE	6-76	LSJ	3-91	MBDA	5-57	MDK	13-23
LED-*x3A	4-63	LFK	6-77	LSK	3-111,3-112	MBF	2-30,2-33	MDL	13-26
LED-5AT	4-22	LFN	6-98,6-99	LSL	3-129	MBH	5-53	MDP	5-65
LED-*BT	4-23	LFW	6-32	LST	12-25	MBJ	13-61	MDV	13-18
LEDX	4-51	LFZ	6-99	LSN	3-115	MBK	5-45	MDW	13-101
LEE	4-29	LFZN	6-99	LSP	3-116	MBL	5-39	MEA	3-25
LEF5	4-15	LGA	9-7	LSQ	3-124	MBM	5-44	MEC	5-59
LEFD	1-43	LH	5-61~5-63	LSR	3-116	MBP	5-46	MEG	3-26
LEG3	4-23,4-24	LHA	5-64	LSY	3-126	MBQ	5-44,5-45	MEH	3-28
LEGD	1-51	LHG	5-66	LSZ	3-115	MBR	5-44	MEK	5-48
LEH5	4-12	LHJ	5-66	LT	3-54,3-55	MBT	5-55	MEL	5-58
	4-19,4-26	LHK	5-19	LTA3	3-34,3-35	MBTR	5-57	MEP	5-59
LEHD	1-37	LHM	5-64	LTBS	3-57	MBS	5-43	MF	3-72,3-73
LEI	4-22	LHQ	5-19	LTD	3-8,3-9	MBSK	5-46	MFC	3-70
LEJ	4-3	LHY	5-65	LTF	3-121	MBY	5-56	MFD	3-69
LEJD	1-47	LHZ	13-83	LTG	3-55	MBZ	5-54	MFG	13-25
LEK2	4-29,4-31	LJA	4-13	LTH	3-110	MC	3-78,3-79	MFH	13-37
	4-35,4-36	LJD	4-22	LTK	3-122	MCA	3-26	MFQ	3-73
LEK4	4-29	LKB	3-104	LTKL	3-106	MCB	3-46~3-48	MFR	3-69
	4-31~4-33	LKC	3-105	LTKR	3-106	MCB3	3-33	MFRK	3-69
LEK5	4-28	LKN	3-105	LTN	3-107,3-111	MCC	3-75	MFS	3-77
LEM*	4-20	LLS	3-54	LTQ	3-116	MCD2	3-27	MFW	3-81
LEMD	1-40,1-41	LMA	3-44	LTQB	3-51	MCE	3-43	MGF	13-28
LEMK	1-42	LMB	3-113	LTQM	3-51	MCF	3-33,3-34	MGK	13-31
LEN	4-35	LMD	4-16	LTR	3-121	MCH	3-32	MGKH	13-31
LEND	1-50	LMF	3-108	LTS	3-125	MCI	3-36	MGL	13-28,13-96
LEQ	4-2	LMG	3-113,3-114	LTU	3-54	MCJ	3-25,3-76	MGM	13-26
LEQD	1-49	LMGA	3-114	LTW	3-121	MCK	3-26	MGS	13-109
LER	4-28	LMH	3-108	LTX	3-9	MCL	3-24,3-31	MGW	13-114
LERD	1-50	LMJ	3-109	LTY	3-103	MCM	3-30	MGX	13-97,13-98
LES	4-50	LMK	3-109	LTZ	3-106	MCN	3-36	MGZ	13-27
LESD	1-47	LMM	3-107,3-109	LUG	14-14	MCP	3-39	MH	13-34,13-35
LET*	4-16~4-18	LMP	3-111	LW	3-127	MCQ	3-36	MHG	2-30~2-32
LETD	1-47	LMQ	3-112	LWC	3-128	MCQA	3-46	MHG-05	3-95
LEU	4-31	LMR	3-112	LWH	3-130	MCR	3-47	MHG-3A	5-43
LEUD	1-41	LMX	3-110	LWP	3-128	MCS	3-24	MHL	
LEW	4-22,4-36	LMW	3-115	LXC	3-120	MCT	12-18		13-47~13-58
LEWA	1-50	LO	6-146		[M]	MCU	3-41	MHLA	13-58
LEWD	1-46	LPL	13-113	M	2-28,2-29	MCW	3-44	MHLF	13-58
LEWF	1-53	LQC	13-32	M3F,M3P,M3T	8-34	MCX	3-38,3-39	MHM	13-33
LEX	4-21	LRA	13-113	M4F,M4P,M4T	8-34	MCY	3-32	MHT	3-137
LEXD	1-53	LS	3-122~3-125	MA	3-94	MCZ	3-39	MHW	13-33

索引 INDEX

MHY	13-96	MRX	13-93	NEK	13-64	PIN	13-103	RL	3-138
MIA	8-45	MRY	13-94	NEP	13-63	PL	6-150,6-151	RMF	3-131
MJC	13-37	MRZ	13-91	NEQ	13-88	PLA	6-152	RS	3-138,3-139
MJGP	13-94	MS	3-90	NER	13-66	PLB	6-152,6-153	RX*	9-10
MJQB	13-91	MSA	3-87	NES	13-87,13-88	PLC	6-153	【S】	
MKK		MSB	3-88	NET	13-85~13-87	PSA	12-7	S系列垫座	9-7
	13-99,13-100	MSBA	3-88	NEX	13-86	PSF	12-11	S系列螺帽	5-75
MKL	10-2	MSC	3-89	NEY	13-64	PSK	12-11	S系列螺絲	
MKP	13-99	MSD	3-91	NWT	8-36	PST	12-25		5-66~5-69
MLA	8-8	MSF	3-89	【O】		PTC	8-15		5-71,5-72,5-74
MLED	4-39	MSH	3-91	OIL	8-33	【Q】		SA	2-10,2-11
MLW	13-94	MSK	3-86	OPW	8-33	Q系列垫座	9-12	SAQ	2-20,2-21
MMD	2-30	MSLQ	3-86	【P】		QBE	4-65	SB	2-8~2-10
MMF	13-95	MSP	3-89	P-1,5	13-97	QBF	4-51		2-12,2-13
MMFA	13-96	MSQ	3-88	P-2	14-2	QBK	4-65	SBD	2-7
MMH	8-6	MSR	3-85	PAC	6-18	QBT	4-30	SBK	2-6
MML	13-29	MSS	3-88	PAD10	6-19	QBU	4-61	SC	2-11
MMQ	2-33	MST	3-87	PAD11	6-19	QDC	8-6	SCA	3-23
MMR	13-29	MSY	3-90	PAK11	6-19	QLA	4-19	SCB	3-19
MMS	13-96	MSZ	3-86,3-87	PC	6-106	QLB	4-6	SCC	3-20,3-21
MMW	13-28	MTB	13-26		6-148~6-150	QLC	4-12,4-18	SCD	3-16
MMX	13-36	MTC	3-127	PCA	3-62	QLD	4-75		3-17,3-21
MNA	13-90	MTD	4-63	PCBS	3-72	QLE	4-5,4-6	SCE	3-14
MNK	13-92	MTG	3-126	PCC	3-63	QLED	4-48	SCF	3-21
MNW	13-90	MTH	13-22	PCE	3-60~3-62	QLF	4-63	SCG	3-14
MPB		MTJ	13-23	PCF	3-67	QLG	4-4	SCK	3-13,3-15
	13-104~13-108	MTN	13-22	PCG	6-148	QLH	4-61,4-62	SCL	3-23
MPG	13-102	MTQ	13-25	PCJ	3-65	QLJ	4-13	SCM	3-22,3-23
MPL	1-8	MTU	8-27	PCK	3-63~3-65	QLK	4-6,4-7	SCP	3-22
	2-31,2-32,2-34	MTX	4-65	PCM	3-75	QLL	8-74	SCQ	3-13
MPR	8-68,13-98	MTY	13-102	PCN	3-68	QLM	4-62	SCR3	5-73
MPT	8-65	MTZ	8-6	PCQ	3-75	QLP	4-62	SCS	3-16
MPV	13-115	MU	2-29	PCR	3-62	QLQ	4-7	SCT	3-17~3-19
MPW	13-113	MVA	13-19	PCS	6-48,6-49	QLR	4-62	SCTMS	3-90
MPZ	2-32	MWC	13-29	PCS-2A	3-65	QLS	4-61	SCU	3-16
MQB	3-74	MWF	3-96	PCT	6-154	QLT	4-30	SCW	3-15
MQC	3-38	MWJ	13-103	PCU	6-155	QLU	4-30	SCX	3-15
MQD	3-27	MWZ	13-27	PCW	6-155	QLW	4-60	SCY	3-17
MQF	3-35	MXF	13-115	PCX	6-32	QLX	4-18	SCZ	3-14
MQG	3-103	MXR	2-33	PCY	3-63	QLY	4-36	SDA	3-22
MQW	3-52	MYC	8-34	PDB	6-148	QPI	13-72	SDC	3-72
MQY	3-34	MZT	13-97	PDT	6-120	QQA	4-60	SDF	3-70
MRA	13-25	【N】		PEB	13-78	QQD	4-13	SDH	13-91
MRH	13-93	NBB	13-15	PED	13-29	QQR	4-27	SDM	3-70
MRN	13-35	NBC	13-16	PF	12-26	QRN	1-51	SDS	3-52
MRQ	13-92	NEA	13-88	PG	1-14~1-26	【R】		SDT	3-53
MRR	13-93	NEC	13-63	PH	13-17	R系列垫座	9-8,9-9	SF	5-70
MRT	5-66	NEF	13-63	PHA	3-63	RJ	13-87	SG	2-5

索引 INDEX

SH	3-136,3-137	SRQM	5-38	TBK	3-93	THU6-712F	3-150	UCD	3-40
SHC	8-32	SRR	2-31	TBW	3-94	TK6	6-112	UCF	3-30
SK	3-13	SRS*	3-134	TC20	6-115	TN16	6-107	UCH	3-46
SL	2-6	SRTA	3-120	TCA	3-82,3-83	TO	8-87	UCK	3-40
SLED	4-3	SRTC	3-117	TCBS	3-84	TPW	13-103	UCX	3-27
SLM	2-6	SRTF	3-117	TCBK	3-92	TQ	8-2	UN	5-73
SM	5-74	SRTH	3-117	TCBR	3-77	TQA	8-87	UN4,UN6,UN10	
SMA4,SMA6	5-76	SRTK	3-118	TCC	3-74	TQC	8-2		5-75
SMC4	5-76	SRTM		TCD	3-74	TQJ	8-56	UN6K	8-34
SN4	5-70		3-118,3-119	TCF	3-68	TQP	8-56	UNB	3-101
SP	13-31	SRTP	3-119	TCG	3-92	TR	8-68~8-73	UNC	3-101
SQ	3-144	SRTQ	3-118	TCH	3-71		8-75~8-83,8-85	UNG	3-102
SQA	5-69	SRU	5-59,5-60	TCJ	3-76	TRA	8-56	US	2-27
SQR	5-21	SRX	5-29	TCK	3-76	TRC	8-54,8-55	USB	
SR	5-6	SRXD	5-29	TCL	3-85	TRJ	8-84		13-78~13-81
	5-10~5-13	SRXM	5-20	TCM3	3-84,3-85	TRJQ	8-84	USC	2-27
	5-15,5-16,5-18	SRY	5-4	TCN	3-76	TRK	8-72	USF	13-82
	5-20~5-26	SRYC	5-3	TCP	3-94	TRL	8-74	USJ	13-82
	5-28~5-37,5-39	SRYD	5-4	TCQ	3-71	TRM	8-84	USK	2-26
	5-60,5-61	SRZ	5-5	TCR	3-82	TRN	8-74	USM	2-26
SRA	5-18	SS	2-12	TCS	3-75	TRQ	8-85,8-86	USQ	13-82
SRB	5-15	SSA	3-53	TCT	3-91	TRR	8-68	UST	2-25,2-27
SRBK	5-17	SSBS*	3-53	TCU	3-41	TRT	8-72	UTF	6-133
SRCK	5-7,5-8	SSK	2-12	TCW	3-68	TRX	8-83	UTU	2-35
	5-15,5-17	SSR	3-135	TCX	3-77	TRY	8-73	UW	1-30
SRCM	5-14	STR	5-37	TCY	3-81	TRZ	8-71		13-21,13-22
SRCQ	5-4	SU	5-67	TCYA	3-81	TS	3-129	UWA	8-28
SRD	5-6~5-14	SU2,SU6	5-71	TD*	6-111	TSA	3-129	UWB	8-28
	5-16~5-18	SU6A	5-68	TDA	6-53	TSC	3-130	UWC	8-29
SRDM	5-5	SUN4,SUN6	5-70	TDD	6-50	TSD	3-131	UWD	8-37,8-41
SRDW	5-37	SUP	3-153	TDF	6-50	TT15	6-114	UWF	8-43
SRF	5-2	SW4,SW5	5-73	TDH	6-79	TU14	6-113	UWJ	8-37
SRFK	5-36,5-37	SWA	8-53,8-54	TDR16	6-112	TUA	6-110	UWK	8-38
SRG	5-7	SY	2-11	TDY8	6-111	TUT	6-115	UWM	8-43
SRH	5-8	SZ	5-58	TDY11	6-112	TX11	6-114	UWQ	8-42
SRJ	5-2		【T】	TE21	6-113		【U】	UWS	8-43
SRL	5-14	T系列整座	9-12	TEY4	6-113	U系列整座	9-8	UWT	8-29
SRM	5-5	T9A	13-112	TF8	6-107	U系列華司			【V】
SRMD	5-38	TA*		TG12	6-111		8-28~8-32	VCK	13-63
SRMF	5-27		6-106~6-109	TGB	13-101		8-36,8-37	VCP	13-67
SRMQ	5-30	TAA	3-10	TH,TH2,TH4		UA	3-100	VCQ	13-67
SRMR	5-27	TAH	3-145		3-148	UAC	13-95	VFA	13-98
SRMT	5-27	TAJ	3-82	THB	3-149	UB	3-97~3-100	VTU	2-34,2-35
SRN	5-23	TAK	3-71	THC	3-149	UBA	13-24	WVC	13-116
SRQ	5-38	TAN	3-77	THK	3-149	UBC	3-100		【W】
SRQA	5-3	TAX	3-68	THM	3-149	UBL	3-101	WC	14-8
SRQB	5-2	TB	3-130,3-131	THT	3-150	UCB	3-45,3-48	WCB	3-59
SRQF	5-3	TB8,TB20	6-110	THU4,THU6	3-147	UCC	3-30	WCC	8-34

索引 INDEX

WCD	5-56	YJB	12-12			
WHT	9-6	YJC	12-9			
WRA	8-30	YJD	12-22			
WRB	8-42	YJF	12-12			
WRC	8-39	YJH	12-14			
WRD	8-38,8-40	YJK	12-13			
WRF	8-42	YJL	12-13			
WRK	8-39	YJM	12-14			
WRP	8-41	YJP	12-10			
WRX	9-10	YJR	12-8			
WS	8-32,8-35 8-39,8-40	YJW	12-10			
WSA	8-42,8-43	YL	6-132,6-133			
WSB	8-45	YLA	6-132			
WSC	8-44	YLB	6-132			
WSE	8-59	YLC	6-131			
WSF	8-38	YLED	4-42			
WSG	8-56~8-58	【其他】				
WSGB	8-57	热收缩套管	8-86			
WSH	8-41					
WSI	8-57					
WSJ	8-45					
WSL	8-45					
WSM	8-47					
WSN	8-48					
WSNA	8-59					
WSP	2-7					
WSQ	8-46					
WSR	8-33					
WSS	8-49					
WST	8-46					
WSU	8-33,8-47					
WSX	8-40					
WSZ	2-7					
WU	8-46					
WUS	8-46					
WWA	8-58					
WWD	8-5					
WWF	8-44					
WWK	8-41					
【Y】						
YAA	12-18					
YAD	12-7					
YAK	12-22					
YAM	12-19					
YJ	12-2~12-4 12-17~12-19					
YJA	12-8					

導光棒 ▶
LIGHT PIPE



◀ 門扣
MAGNET LATCH,
STRIKE,
LATCH,
PUSH LATCH



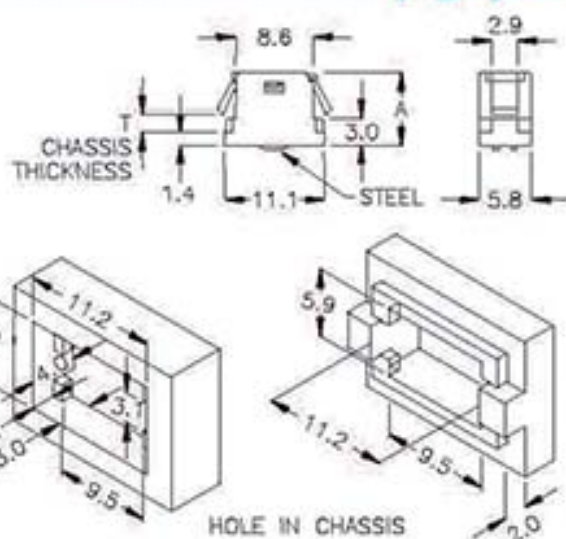
▶ 塑膠阻尼器
ROTARY DAMPER

1-2-1

扣具 MAGNET LATCH(磁鐵式)



MATERIAL: NYLON 66(UL)+STEEL
 FLAME CLASS: 94V-2
 COLOR: BLACK



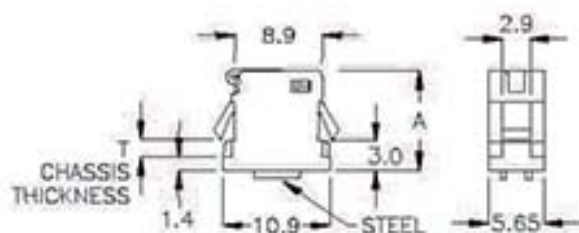
PART NO	A	T CHASSIS THICKNESS	PACKAGE
DLA-01	8.4	2.0	1000

1-2-2

扣具 MAGNET LATCH(磁鐵式)



MATERIAL: NYLON 66(UL)+STEEL
 FLAME CLASS: 94V-2
 COLOR: BLACK



HOLE IN CHASSIS SAME AS DLA-01

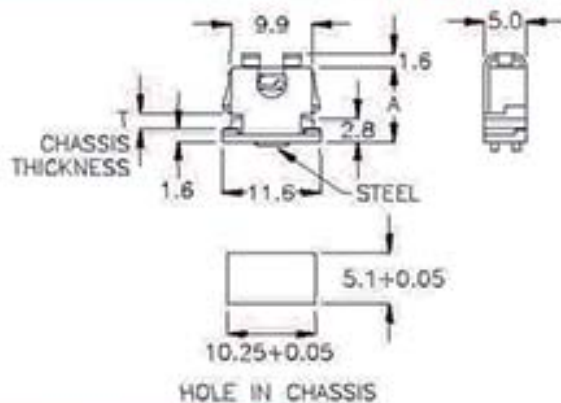
PART NO	A	T CHASSIS THICKNESS	PACKAGE
DLA-02	10.2	1.9	1000

1-2-3

扣具 MAGNET LATCH(磁鐵式)



MATERIAL: NYLON 66(UL)+STEEL
 FLAME CLASS: 94V-2
 COLOR: BLACK



PART NO	A	T CHASSIS THICKNESS	PACKAGE
DLA-03	8.9	2.0	1000

1-3-1

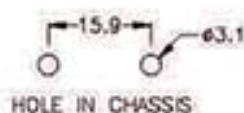
扣具 STRIKER



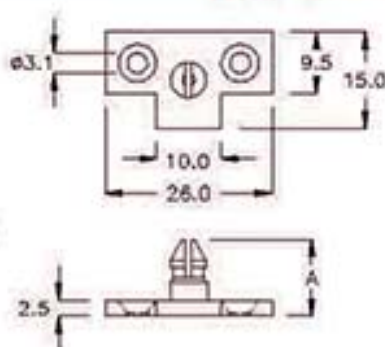
MATERIAL: NYLON 66(UL)
FLAME CLASS: 94V-2
COLOR: NATURAL

PART NO.	A	PACKAGE
DL-10A	12.0	500

TO BE USED WITH P.G PART DL-10(Page 1-3-3)
TO BE USED WITH P.G PART DL-10F(Page 1-3-4)



HOLE IN CHASSIS



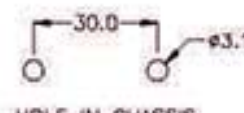
扣具 STRIKER



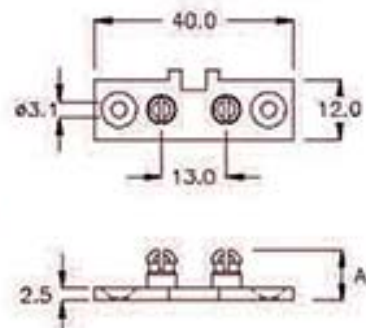
MATERIAL: NYLON 66(UL)
FLAME CLASS: 94V-2
COLOR: NATURAL

PART NO.	A	PACKAGE
DL-10K	10.1	500

TO BE USED WITH P.G PART DL-10H (Page 1-4-1)



HOLE IN CHASSIS



1-3-2

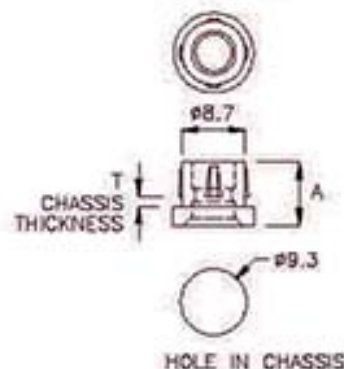
扣具 LATCH



MATERIAL: NYLON 66(UL)
FLAME CLASS: 94V-2
COLOR: NATURAL

PART NO.	A	T CHASSIS THICKNESS	PACKAGE
DL-10	8.6	1.4	500

TO BE USED WITH P.G PART DL-10A(Page 1-3-1)



HOLE IN CHASSIS

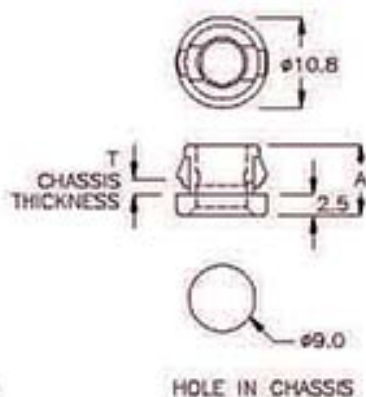
扣具 LATCH



MATERIAL: NYLON 66(UL)
FLAME CLASS: 94V-2
COLOR: NATURAL

PART NO.	A	T CHASSIS THICKNESS	PACKAGE
DL-10F	8.5	1.2~1.6	500

TO BE USED WITH P.G PART DL-10A(Page 1-3-1)



HOLE IN CHASSIS

1-3-4

PINGOOD

1-4-1

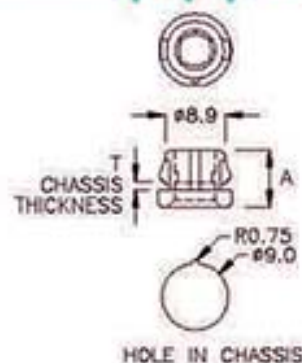


扣具 LATCH

MATERIAL: NYLON 66(UL)
FLAME CLASS: 94V-2
COLOR: NATURAL

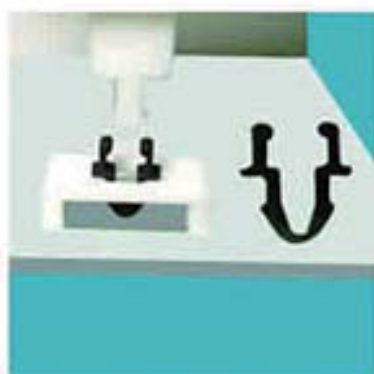
PART NO	A	CHASSIS THICKNESS	PACKAGE
DL-10H	8.5	1.4~1.6	500

TO BE USED WITH P.G PART DL-10K (Page 1-3-2)



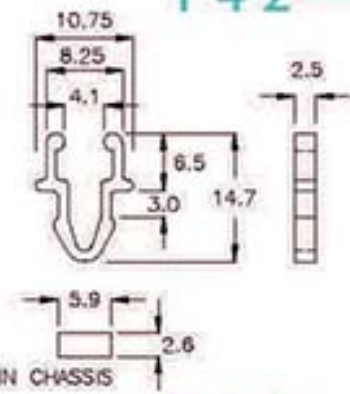
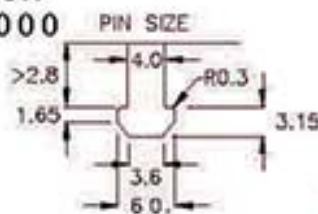
HOLE IN CHASSIS

1-4-2



扣具 LATCH (DL-2)

MATERIAL: NYLON 66(UL)
FLAME CLASS: 94V-2
COLOR: BLACK
PACKAGE: 1000



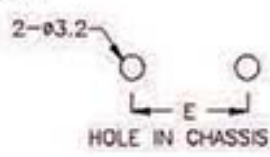
HOLE IN CHASSIS

1-4-3

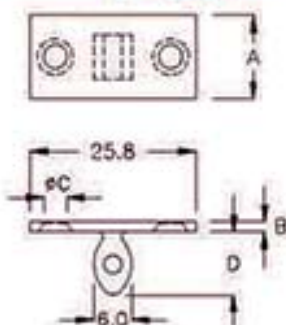


扣具 STRIKER

MATERIAL: NYLON 66(UL)
FLAME CLASS: 94V-2
COLOR: NATURAL



HOLE IN CHASSIS



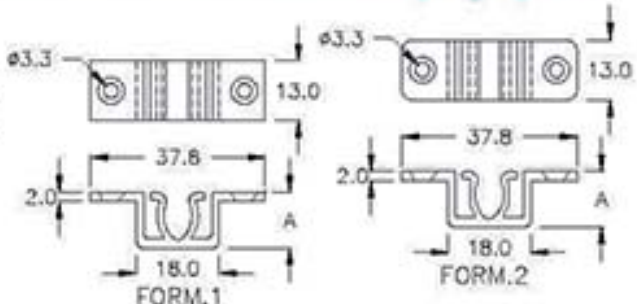
PART NO	A	B	C	D	E	TO BE USED WITH	PACKAGE
DL-008	13.0	1.5	3.7	9.9	18.0	DL-009	1000
DL-8DK	8.0	2.0	3.6	8.7	15.2	DL-9DK	

1-4-4



扣具 LATCH

MATERIAL: POM(UL)
FLAME CLASS: 94HB
COLOR: NATURAL
PACKAGE: 200

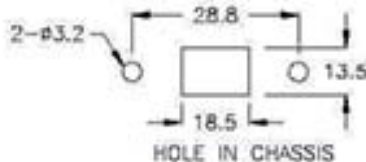


FORM.1

FORM.2

PART NO	A	FORM	PACKAGE
DL-009	12.1	1	200
DL-9KA	12.0	2	

TO BE USED WITH P.G PART DL-008 (Page 1-4-3)

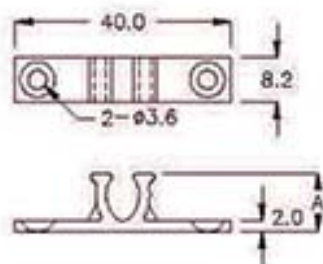
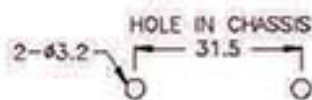


HOLE IN CHASSIS

扣具 LATCH



MATERIAL: POM(UL)
FLAME CLASS: 94HB
COLOR: NATURAL



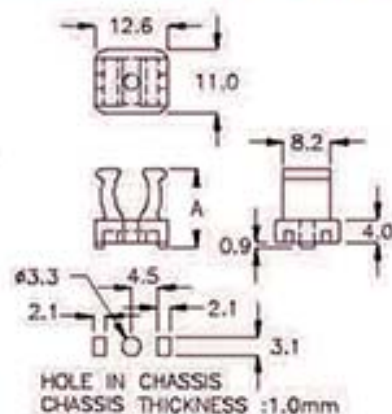
PART NO.	A	PACKAGE
DL-9DK	10.8	200

TO BE USED WITH P.G PART DL-8DK (Page 1-4-3)

扣具 LATCH



MATERIAL: NYLON 66(UL)
FLAME CLASS: 94V-2
COLOR: NATURAL
SCREW: M3x4 TAPPING SCREW



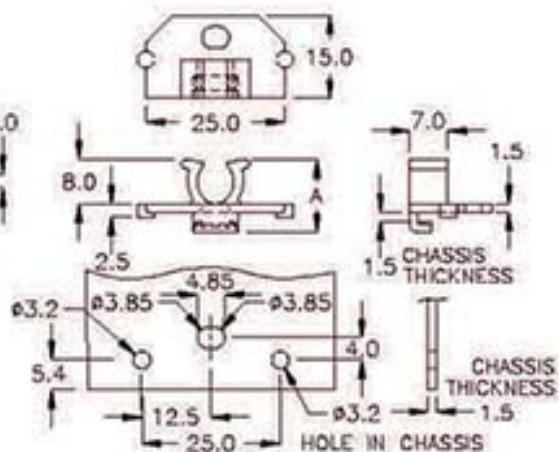
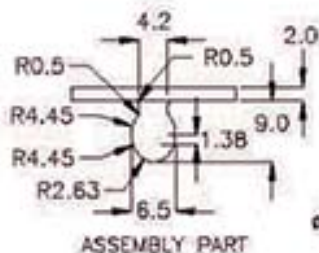
PART NO.	A	PACKAGE
DLC-14	13.7	500

TO BE USED WITH P.G PART DL-008 (Page 1-4-3)

扣具 LATCH



MATERIAL: POM
FLAME CLASS: 94HB
COLOR: BLACK



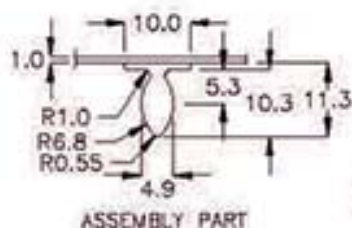
PART NO.	A	PACKAGE
DLM-06	13.15	500

1-6-1



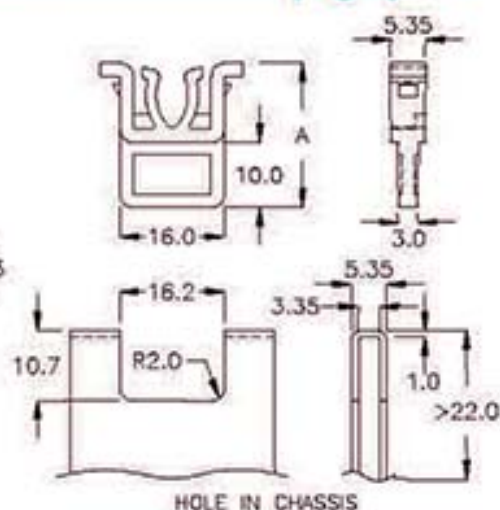
扣具 LATCH

MATERIAL: POM
FLAME CLASS: 94HB
COLOR: NATURAL



ASSEMBLY PART

PART NO	A	PACKAGE
DLF-220T	22.2	200



HOLE IN CHASSIS

1-6-2

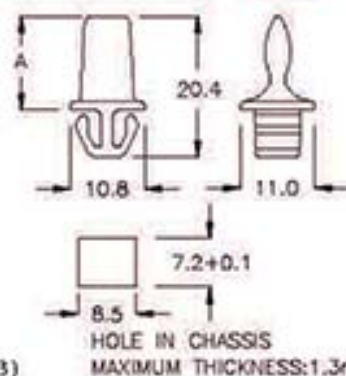


扣具 STRIKER

MATERIAL: POM(UL)
FLAME CLASS: 94HB
COLOR: NATURAL

PART NO	A	PACKAGE
DL-20A	13.7	500

TO BE USED WITH P.G PART DL-20 (Page 1-6-3)



HOLE IN CHASSIS
MAXIMUM THICKNESS: 1.3mm

1-6-3

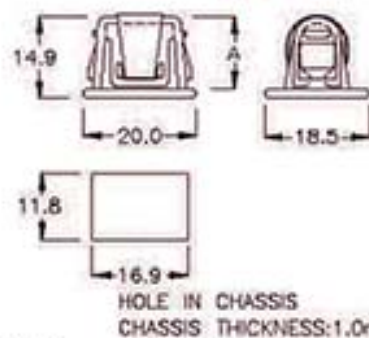


扣具 LATCH

MATERIAL: NYLON 66(UL)
FLAME CLASS: 94V-2
METAL MATERIAL:
SK7 BLUE ZINE PLATED
COLOR: NATURAL

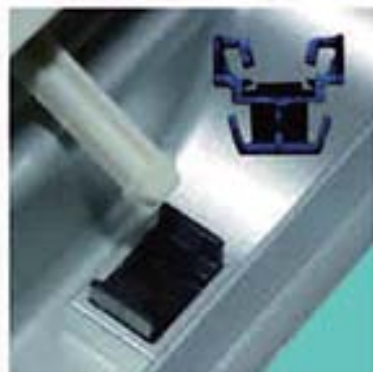
PART NO	A	PACKAGE
DL-20	13.2	500

TO BE USED WITH P.G PART DL-20A (Page 1-6-2)



HOLE IN CHASSIS
CHASSIS THICKNESS: 1.0mm

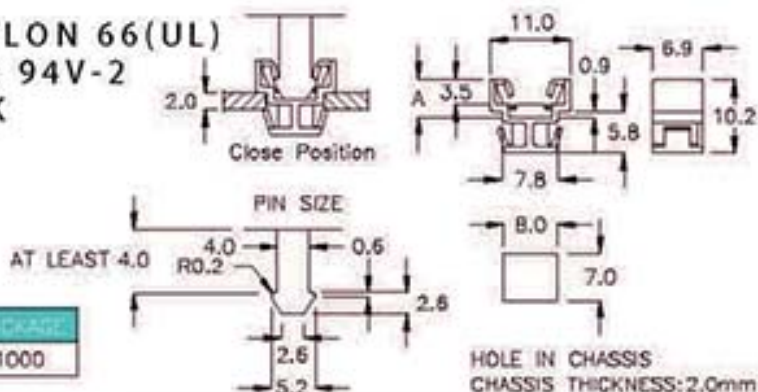
1-6-4



扣具 LATCH

MATERIAL: NYLON 66(UL)
FLAME CLASS: 94V-2
COLOR: BLACK

PART NO	A	PACKAGE
DLB-4A	5.3	1000



HOLE IN CHASSIS
CHASSIS THICKNESS: 2.0mm

1-7-1

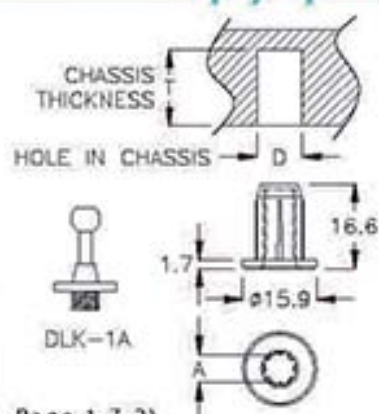
扣具 MAGRNT LATCH (磁鐵式)



COLOR: BLACK

PART NO	MATERIAL	A	D	T	PACKAGE
DLK-01	PP V0	ø6.0	ø10.0	18.0	500
DLK-02	N6 V2	ø5.85	ø10.0	18.0	

TO BE USED WITH P.G. MALE PART DLK-1A (P.G. Page 1-7-2)



1-7-2

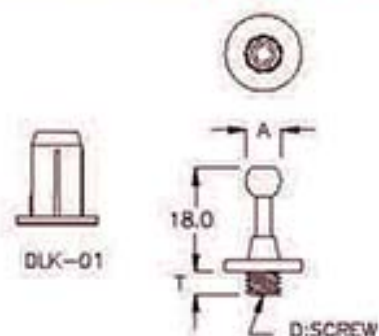
扣具 STRIKER



MATERIAL: NYLON 66(UL)
FLAME CLASS: 94V-2
COLOR: BLACK

PART NO	A	D	T	PACKAGE
DLK-1A	ø6.1	M6	5.0	500

TO BE USED WITH P.G FEMALE PART DLK-01,DLK-02(Page 1-7-1)



1-7-3

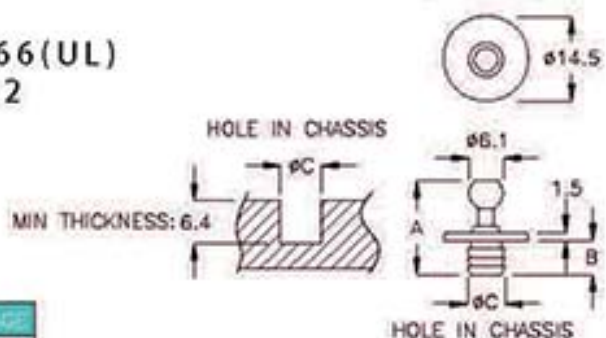
扣具 STRIKER



MATERIAL: NYLON 66(UL)
FLAME CLASS: 94V-2
COLOR: BLACK

PART NO	A	B	C	PACKAGE
DLK-2A	16.4	5.8	ø6.1	500

TO BE USED WITH P.G FEMALE PART MPL-02,MPL-04(Page 1-8-1)



1-7-4

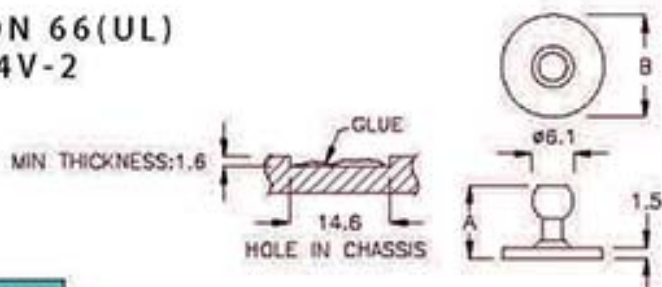
扣具 STRIKER



MATERIAL: NYLON 66(UL)
FLAME CLASS: 94V-2
COLOR: BLACK

PART NO	A	B	PACKAGE
DLK-2C	10.6	ø14.5	500

TO BE USED WITH P.G FEMALE PART MPL-02,MPL-04(Page 1-8-1)

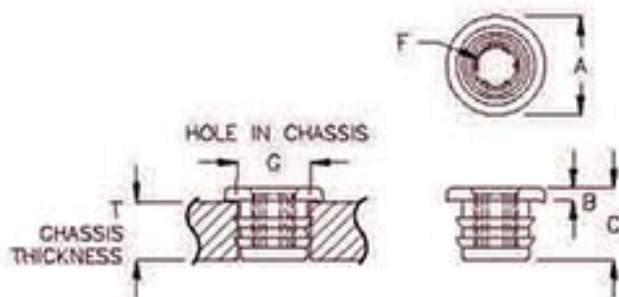


1-8-1



固定座 LATCH

MATERIAL: TPE
COLOR: BLACK



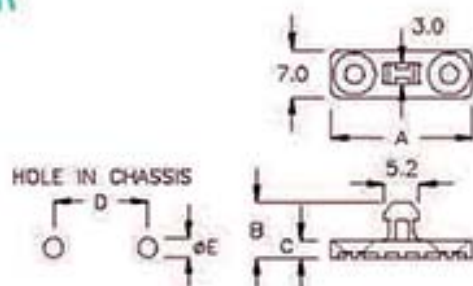
PART NO	A	B	C	F	T CHASSIS THICKNESS	MATERIAL	C HOLE IN CHASSIS	PACKAGE
MPL-01	φ15.0	1.8	10.8	φ6.0	10.0	TPE 55'	φ10.0	500
						TPE 70'	φ10.5	
MPL-02	φ15.0	2.0	11.0	φ5.5	10.0	TPE 55'	φ10.0	
						TPE 70'	φ10.5	
MPL-04	φ14.0	2.0	10.5	φ5.9	9.5	TPE 55'	φ10.0	
						TPE 70'	φ10.5	

1-8-2



扣具 PUSH LATCH STRIKER

MATERIAL: NYLON 66(UL)
FLAME CLASS: 94V-2
COLOR: BLACK



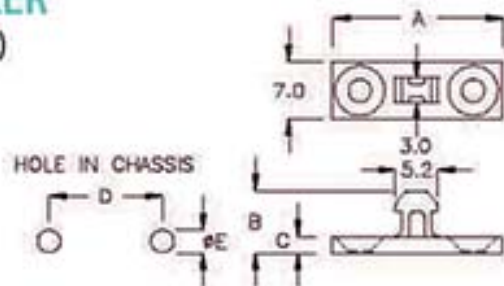
PART NO	A	B	C	D	E	SUITABLE P.C. PUSH LATCH	PACKAGE
DL-03C	21.0	8.3	2.6	14.0	2.8	DL-150C, DL-400D	1000

1-8-3



扣具 PUSH LATCH STRIKER

MATERIAL: NYLON 66(UL)
FLAME CLASS: 94V-2
COLOR: BLACK

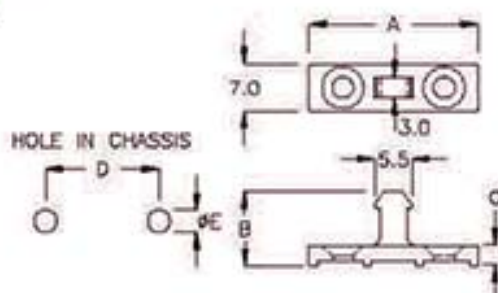


PART NO	A	B	C	D	E	SUITABLE P.C. PUSH LATCH	PACKAGE
DL-001	25.0	10.1	2.1	15.0	3.2	DL-100B, DL-400D	1000
DL-003	21.0	7.7	2.0	14.0	2.8	DL-100C, DL-150C, DL-400D	



扣具 PUSH LATCH STRIKER

MATERIAL: NYLON 66(UL)
FLAME CLASS: 94V-2
COLOR: BLACK

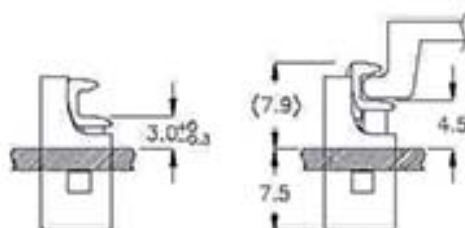


PART NO.	A	B	C	D	E	SUITABLE P.D. PUSH LATCH	PACKAGE
DL-002	25.0	11.0	3.0	15.0	3.2	DL-100A, DL-100C DL-150C, DL-400D	1000



門扣 PUSH LATCH

MATERIAL: NYLON 66(UL),
PC(UL)
FLAME CLASS: 94V-2
COLOR: BLACK
MATERIAL: STEEL, SPRING

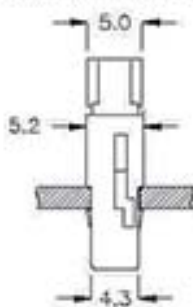
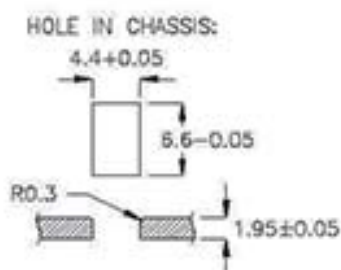
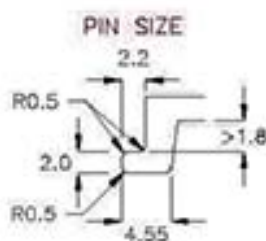


夾子欲下壓產生扣住功能時
行程距離卡板頂端距離
3.0mm

Maximum Push-IN Position

夾子扣住時
夾子頂端位置
距離卡板頂端
4.5mm

Close Position

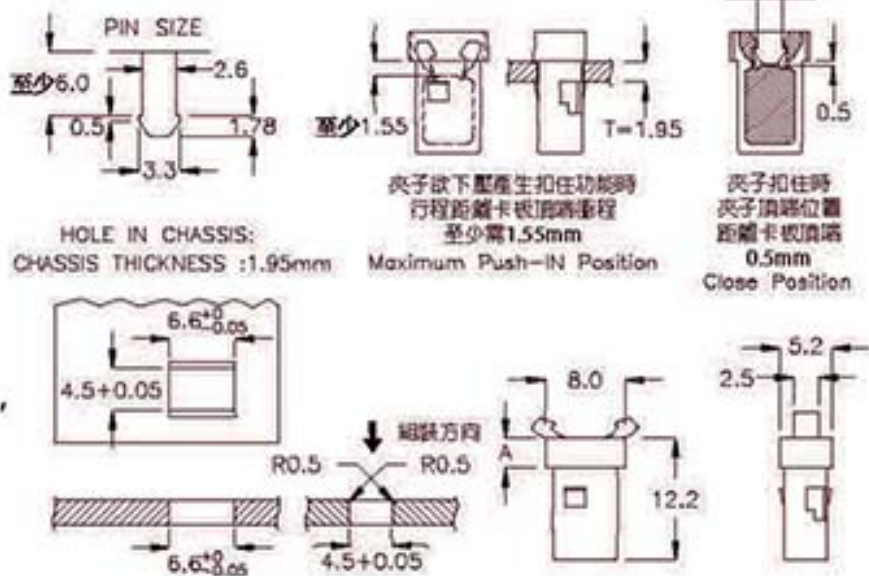


PART NO.	A	PACKAGE
DL-250	6.65	1000

門扣 PUSH LATCH



MATERIAL: NYLON 66(UL),
PC(UL)
FLAME CLASS: 94V-2
COLOR: BLACK
MATERIAL: STEEL, SPRING

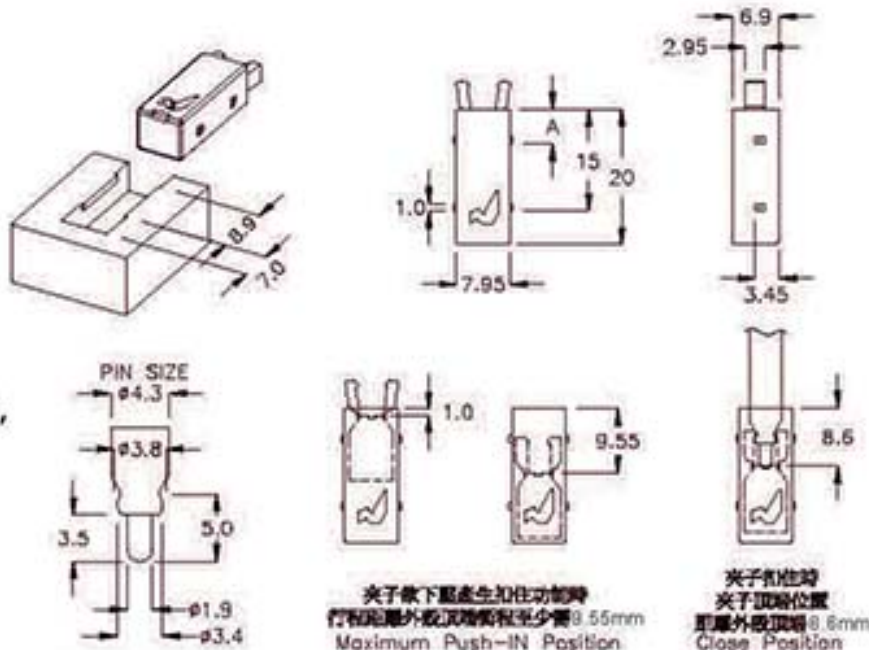


PART NO	A	PACKAGE
DL-220C	2.95	1000

門扣 PUSH LATCH



MATERIAL: NYLON 66(UL),
PC(UL)
FLAME CLASS: 94V-2
COLOR: BLACK
MATERIAL: POM, SPRING

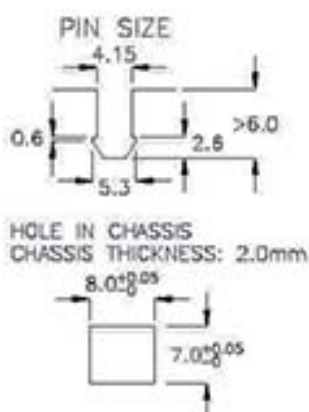


PART NO	A	PACKAGE
DL-550	5	1000

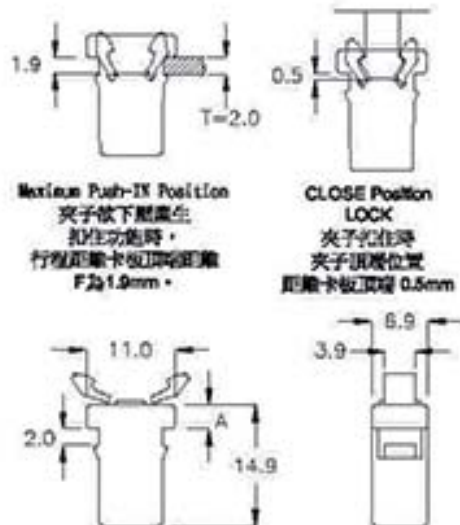
門扣 PUSH LATCH



MATERIAL: NYLON 66(UL),
PC(UL)
FLAME CLASS: 94V-2
COLOR: BLACK
MATERIAL: STEEL, SPRING



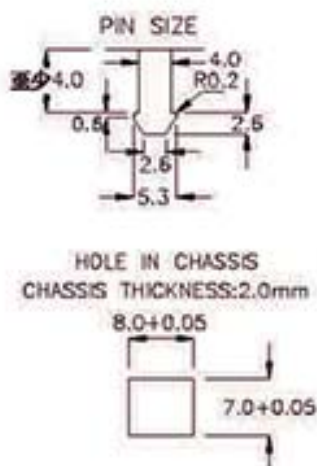
PART NO	A	PACKAGE
DL-850C	2.9	1000



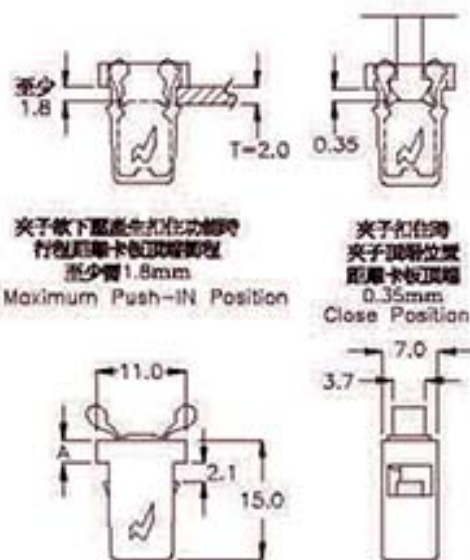
門扣 PUSH LATCH



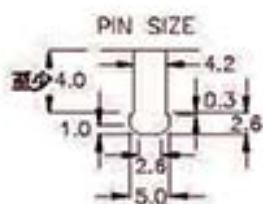
MATERIAL: NYLON 66(UL),
PC(UL)
FLAME CLASS: 94V-2
COLOR: BLACK, GRAY
MATERIAL: POM, SPRING



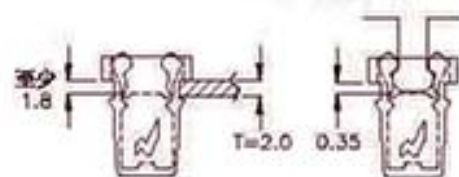
PART NO	A	PACKAGE
DL-100A	2.9	1000



門扣 PUSH LATCH

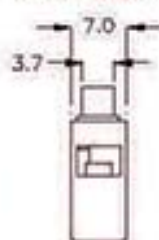
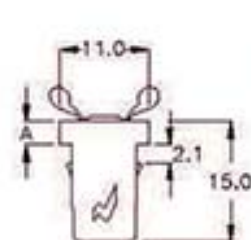
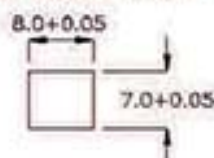


HOLE IN CHASSIS
CHASSIS THICKNESS: 2.0mm



夾子按下產生扣住功能時
行程距離卡板頂端距離
至少需1.8mm
Maximum Push-IN Position

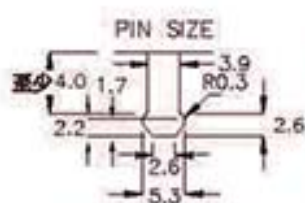
夾子扣住時
夾子頂端位置
距離卡板頂端
0.35mm
Close Position



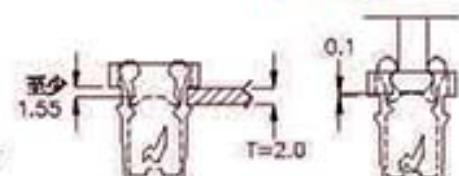
MATERIAL: NYLON 66(UL), PC(UL)
FLAME CLASS: 94V-2
COLOR: BLACK
MATERIAL: POM, SPRING

PART NO	A	PACKAGE
DL-100B	2.9	1000

門扣 PUSH LATCH

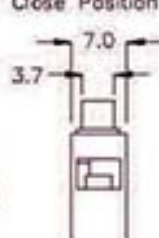
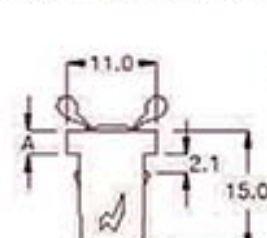
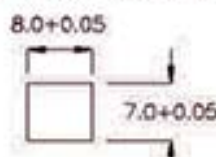


HOLE IN CHASSIS
CHASSIS THICKNESS: 2.0mm



夾子按下產生扣住功能時
行程距離卡板頂端距離
至少需1.55mm
Maximum Push-IN Position

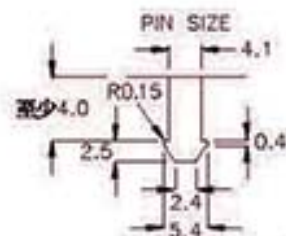
夾子扣住時
夾子頂端位置
距離卡板頂端
0.1mm
Close Position



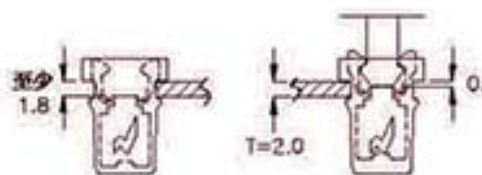
MATERIAL: NYLON 66(UL), PC(UL)
FLAME CLASS: 94V-2
COLOR: BLACK
MATERIAL: POM, SPRING

PART NO	A	PACKAGE
DL-100C	2.9	1000

門扣 PUSH LATCH

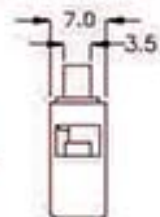
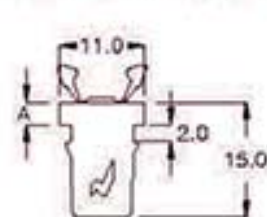
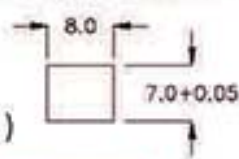


HOLE IN CHASSIS
CHASSIS THICKNESS: 2.0mm



夾子按下產生扣住功能時
行程距離卡板頂端距離至少需1.8mm
Maximum Push-IN Position

夾子扣住時
夾子頂端位置
距離卡板頂端 0.4mm
Close Position



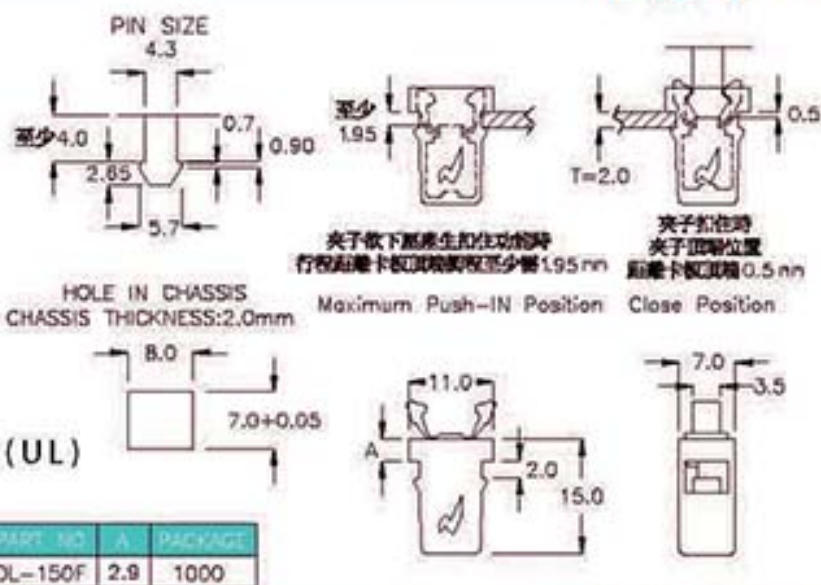
MATERIAL: NYLON 66(UL), PC(UL)
FLAME CLASS: 94V-2
COLOR: BLACK
MATERIAL: POM, SPRING

PART NO	A	PACKAGE
DL-130C	2.9	1000

門扣 PUSH LATCH



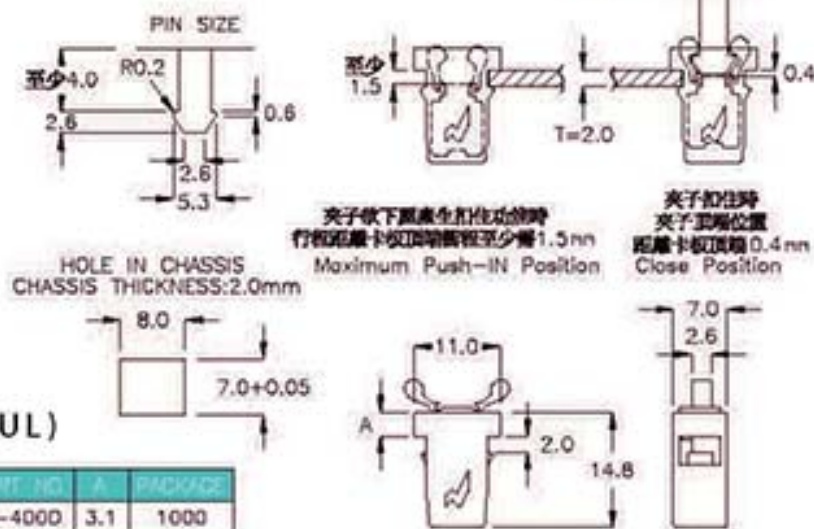
MATERIAL: NYLON 66(UL), PC(UL)
 FLAME CLASS: 94V-2
 COLOR: BLACK
 MATERIAL: POM, SPRING



門扣 PUSH LATCH



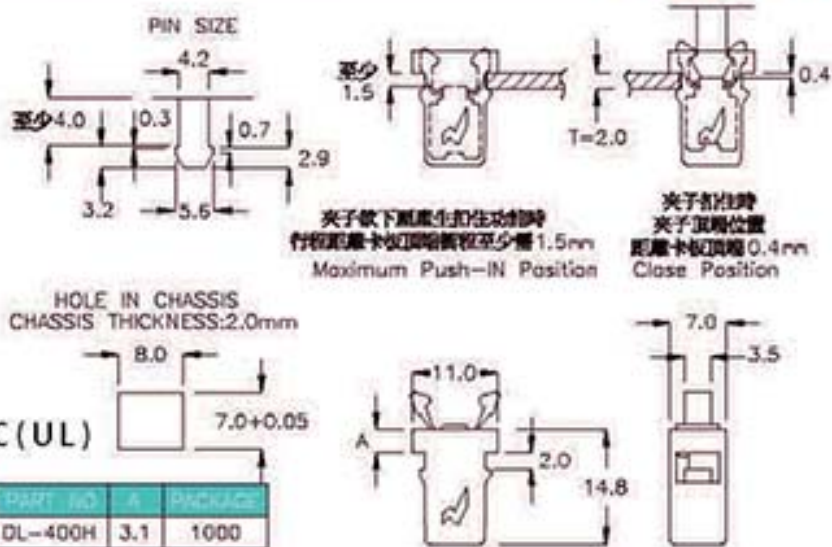
MATERIAL: NYLON 66(UL), PC(UL)
 FLAME CLASS: 94V-2
 COLOR: BLACK, GRAY
 MATERIAL: POM, SPRING



門扣 PUSH LATCH



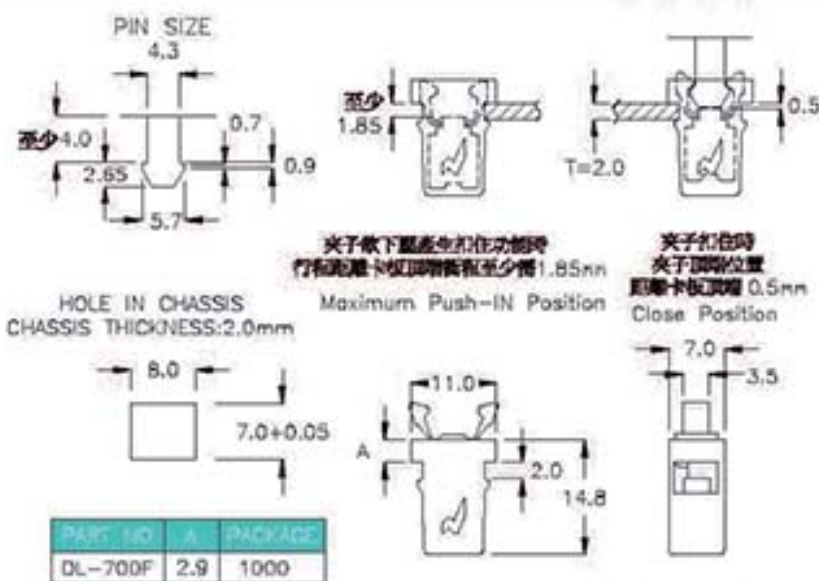
MATERIAL: NYLON 66(UL), PC(UL)
 FLAME CLASS: 94V-2
 COLOR: BLACK
 MATERIAL: POM, SPRING



門扣 PUSH LATCH



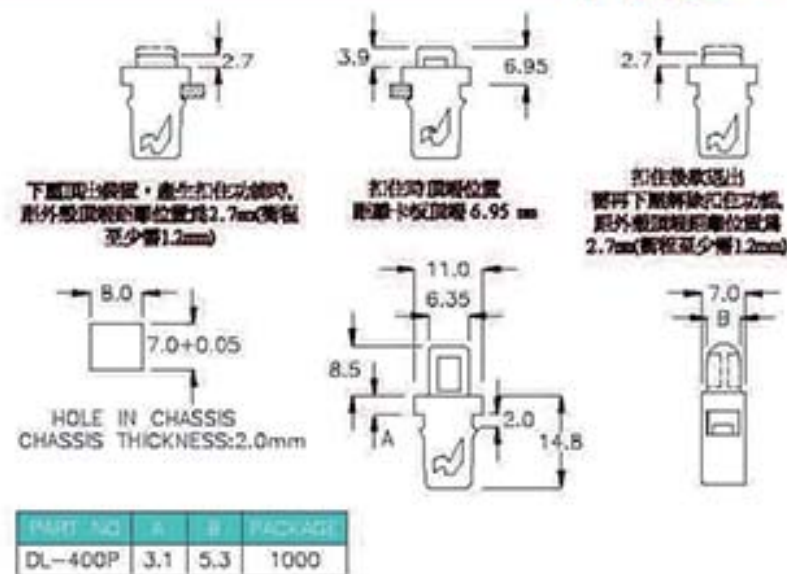
MATERIAL: NYLON 66(UL),
PC(UL)
FLAME CLASS: 94V-2
COLOR: BLACK
MATERIAL: POM, SPRING



門扣 PUSH LATCH



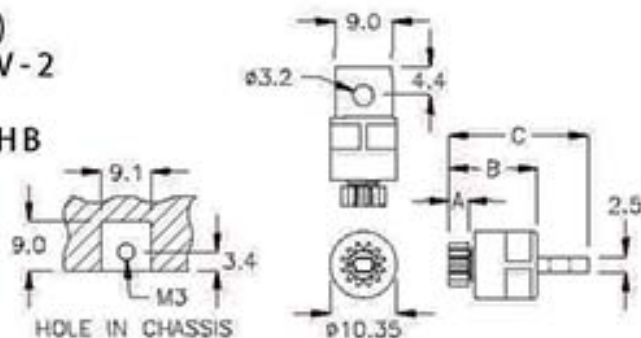
MATERIAL: NYLON 66(UL),
PC(UL)
FLAME CLASS: 94V-2
COLOR: BLACK
MATERIAL: POM, SPRING



塑膠阻尼器 ROTARY DAMPER



MATERIAL: PC(UL)
FLAME CLASS: 94V-2
MATERIAL: POM
FLAME CLASS: 94HB
COLOR: BLACK

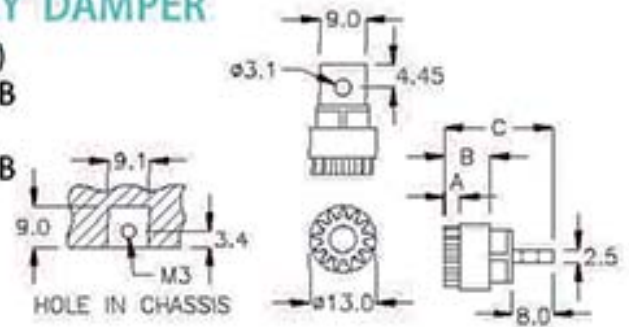


PART NO.	PITCH DIAMETER	MODULE	TOOTH NUMBER	PRESSURE ANGLE	A	B	C	TORQUE (gf-cm)	PACKAGE
PG-10	ø6.0	0.5	12	20°	3.0	13.8	21.7	10~30	500



塑膠阻尼器 ROTARY DAMPER

MATERIAL: ABS(UL)
 FLAME CLASS: 94HB
 MATERIAL: POM
 FLAME CLASS: 94HB
 COLOR: BLACK



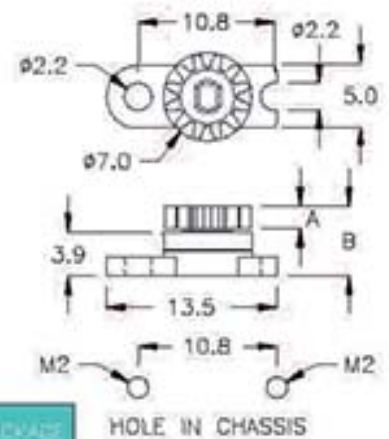
PART NO	PITCH DIAMETER	MODULE	TOOTH NUMBER	PRESSURE ANGLE	A	B	C	TORQUE (gf-cm)	PACKAGE
PG-01K	ø8.8	0.8	11	20°	3.0	8.8	21.8	23,38,63	500
PG-01A	ø10.4	0.8	13	20°	3.2	9.1	22.0		

TORQUE VALUE CAN BE CUSTOMIZED PER CUSTOMERS' DEMAND



塑膠阻尼器 ROTARY DAMPER

MATERIAL: PC(UL)
 FLAME CLASS: 94V-2
 MATERIAL: POM
 FLAME CLASS: 94HB
 COLOR: BLACK



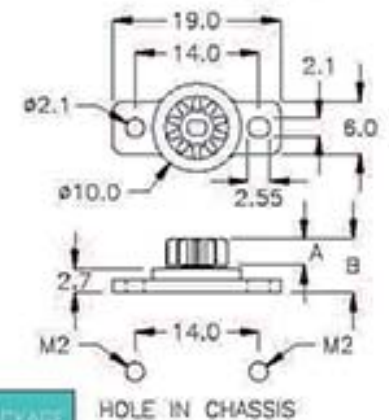
PART NO	PITCH DIAMETER	MODULE	TOOTH NUMBER	PRESSURE ANGLE	A	B	TORQUE (gf-cm)	PACKAGE
PG-04K	ø6.0	0.5	12	20°	1.8	5.7	7~30	1000

TORQUE VALUE CAN BE CUSTOMIZED PER CUSTOMERS' DEMAND



塑膠阻尼器 ROTARY DAMPER

MATERIAL: PC(UL)
 FLAME CLASS: 94V-2
 MATERIAL: POM
 FLAME CLASS: 94HB
 COLOR: BLACK



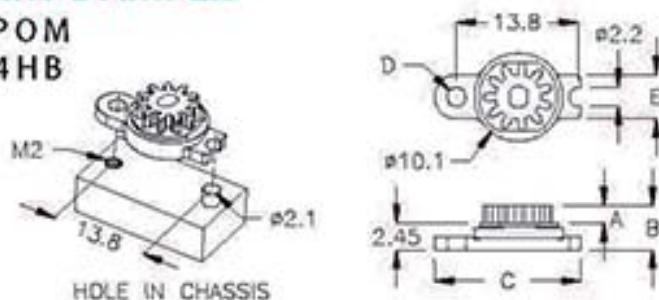
PART NO	PITCH DIAMETER	MODULE	TOOTH NUMBER	PRESSURE ANGLE	A	B	TORQUE (gf-cm)	PACKAGE
PG-07S	ø6.0	0.6	10	20°	3.0	6.1	10~75	1000

TORQUE VALUE CAN BE CUSTOMIZED PER CUSTOMERS' DEMAND



塑膠阻尼器 ROTARY DAMPER

MATERIAL: ABS, POM
FLAME CLASS: 94HB
COLOR: BLACK



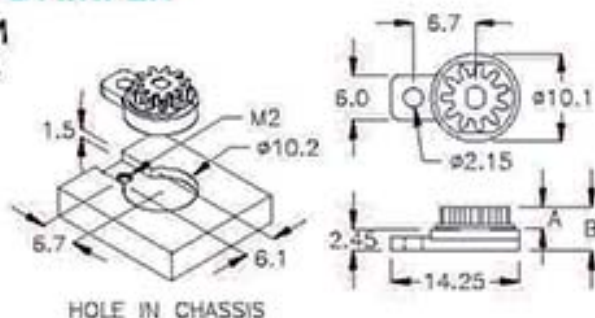
PART NO	PITCH DIAMETER	MODULE	TOOTH NUMBER	PRESSURE ANGLE	A	B	C	D	E	TORQUE (gf-cm)	PACKAGE
PG-07F	13.8	0.6	11	20°	2.0	5.1	16.8	2.7	5.6	15,25 45,80	1000
PG-7MK	13.8	0.6	11	20°	2.0	5.1	16.5	2.15	5.0		
★ PG-7CN	13.8	0.6	11	20°	3.0	6.1	16.5	2.15	5.0		

TORQUE VALUE CAN BE CUSTOMIZED PER CUSTOMERS' DEMAND



塑膠阻尼器 ROTARY DAMPER

MATERIAL: ABS, POM
FLAME CLASS: 94HB
COLOR: BLACK



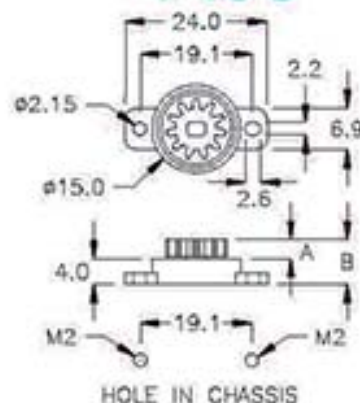
PART NO	PITCH DIAMETER	MODULE	TOOTH NUMBER	PRESSURE ANGLE	A	B	TORQUE (gf-cm)	PACKAGE
PG-78P	6.7	0.6	11	20°	2.45	5.1	15,25,45,60	1000

TORQUE VALUE CAN BE CUSTOMIZED PER CUSTOMERS' DEMAND



塑膠阻尼器 ROTARY DAMPER

MATERIAL: ABS(UL)
FLAME CLASS: 94HB
MATERIAL: POM
FLAME CLASS: 94HB
COLOR: BLACK



PART NO	PITCH DIAMETER	MODULE	TOOTH NUMBER	PRESSURE ANGLE	A	B	TORQUE (gf-cm)	PACKAGE
PG-3AS	24.0	0.8	11	20°	3.0	7.5	15	500
PG-3MS	24.0	0.8	13	20°	3.0	7.5		

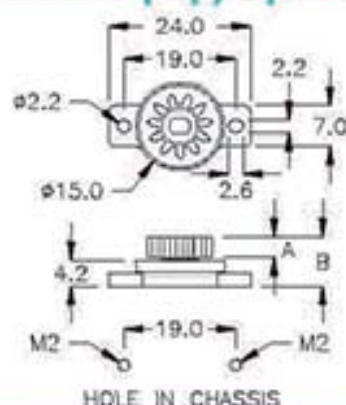
TORQUE VALUE CAN BE CUSTOMIZED PER CUSTOMERS' DEMAND

1-17-1



塑膠阻尼器 ROTARY DAMPER

MATERIAL: PC(UL)
 FLAME CLASS: 94V-2
 MATERIAL: POM
 FLAME CLASS: 94HB
 COLOR: BLACK



PART NO	PITCH DIAMETER	MODULE	TOOTH NUMBER	PRESSURE ANGLE	A	B	TOPQUE (gf-cm)	PACKAGE
PG-13	φ8.8	0.8	11	20°	3.0	7.7	45,70,100,130	500
PG-13M	φ10.4	0.8	13	20°	3.0	7.7	150,200,230,270	

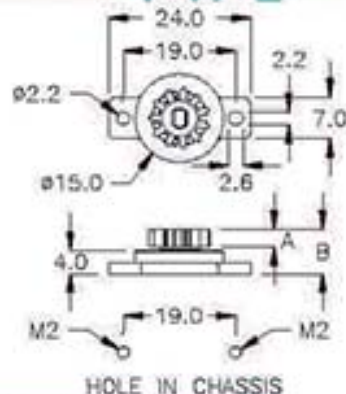
TORQUE VALUE CAN BE CUSTOMIZED PER CUSTOMERS' DEMAND

1-17-2



塑膠阻尼器 ROTARY DAMPER

MATERIAL: PC(UL)
 FLAME CLASS: 94V-2
 MATERIAL: POM
 FLAME CLASS: 94HB
 COLOR: BLACK



PART NO	PITCH DIAMETER	MODULE	TOOTH NUMBER	PRESSURE ANGLE	A	B	TOPQUE (gf-cm)	PACKAGE
PG-13QR	φ8.8	0.8	11	20°	3.0	7.5	15~175	500
PG-13YP	φ10.4	0.8	13	20°	3.0	7.5		

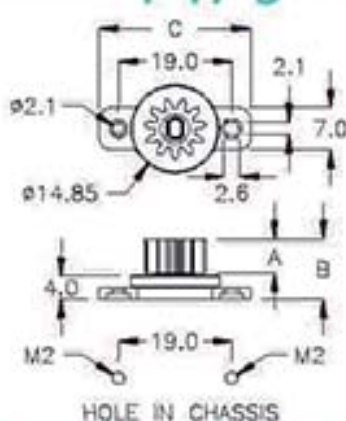
TORQUE VALUE CAN BE CUSTOMIZED PER CUSTOMERS' DEMAND

1-17-3



塑膠阻尼器 ROTARY DAMPER

MATERIAL: PC(UL)
 FLAME CLASS: 94V-2
 MATERIAL: POM
 FLAME CLASS: 94HB
 COLOR: BLACK



PART NO	PITCH DIAMETER	MODULE	TOOTH NUMBER	PRESSURE ANGLE	A	B	C	TORQUE (gf-cm)	PACKAGE
PG-13DF	φ8.8	0.8	11	20°	5.6	10.0	24.0	40~280	500
PG-13HJ	φ8.8	0.8	11	20°	5.6	10.0	25.5		

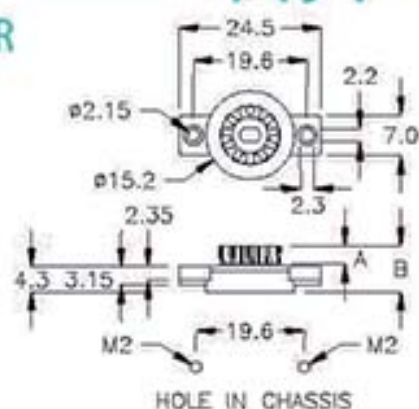
TORQUE VALUE CAN BE CUSTOMIZED PER CUSTOMERS' DEMAND

1-19-1



塑膠阻尼器 ROTARY DAMPER

MATERIAL: PC(UL)
 FLAME CLASS: 94V-2
 MATERIAL: POM
 FLAME CLASS: 94HB
 COLOR: BLACK



PART NO	PITCH DIAMETER	MODULE	TOOTH NUMBER	PRESSURE ANGLE	A	B	TORQUE (gf-cm)	PACKAGE
PG-08H	φ8.8	0.8	11	20°	3.0	7.8	60,110,190	500

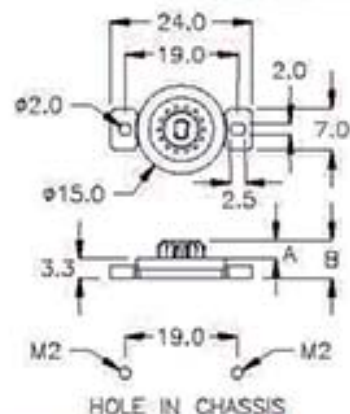
TORQUE VALUE CAN BE CUSTOMIZED PER CUSTOMERS' DEMAND

1-19-2



塑膠阻尼器 ROTARY DAMPER

MATERIAL: PC(UL)
 FLAME CLASS: 94V-2
 MATERIAL: POM
 FLAME CLASS: 94HB
 COLOR: GRAY



PART NO	PITCH DIAMETER	MODULE	TOOTH NUMBER	PRESSURE ANGLE	A	B	TORQUE (gf-cm)	PACKAGE
PG-15	φ7.0	0.5	14	20°	3.0	6.4	25~110	500

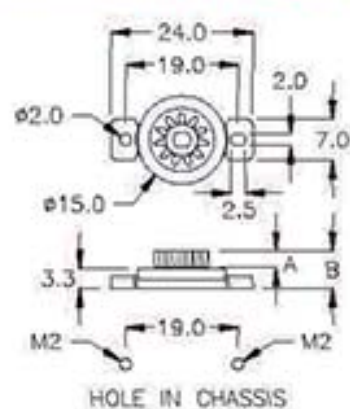
TORQUE VALUE CAN BE CUSTOMIZED PER CUSTOMERS' DEMAND

1-19-3



塑膠阻尼器 ROTARY DAMPER

MATERIAL: PC(UL)
 FLAME CLASS: 94V-2
 MATERIAL: POM
 FLAME CLASS: 94HB
 COLOR: GRAY



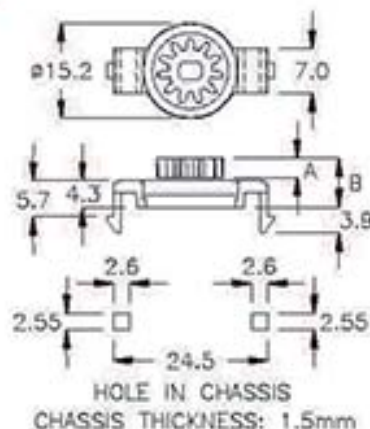
PART NO	PITCH DIAMETER	MODULE	TOOTH NUMBER	PRESSURE ANGLE	A	B	TORQUE (gf-cm)	PACKAGE
PG-15A	φ8.8	0.8	11	20°	3.0	6.4	25~110	500

TORQUE VALUE CAN BE CUSTOMIZED PER CUSTOMERS' DEMAND



塑膠阻尼器 ROTARY DAMPER

MATERIAL: ABS(UL)
 FLAME CLASS: 94HB
 MATERIAL: POM
 FLAME CLASS: 94HB
 COLOR: BLACK



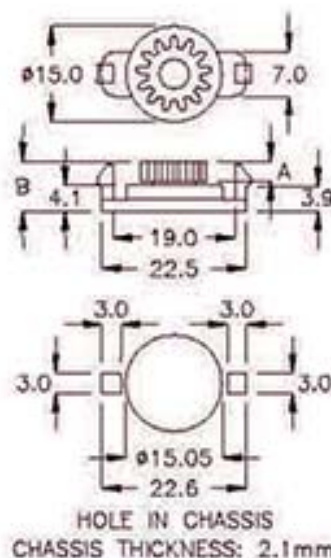
PART NO	PITCH DIAMETER	MODULE	TOOTH NUMBER	PRESSURE ANGLE	A	B	TORQUE (gf-cm)	PACKAGE
PG-BAS	$\phi 8.8$	0.8	11	20'	3.0	8.0	15,45	500
PG-BMS	$\phi 10.4$	0.8	13	20'	3.0	8.0	100,130	

TORQUE VALUE CAN BE CUSTOMIZED PER CUSTOMERS' DEMAND



塑膠阻尼器 ROTARY DAMPER

MATERIAL: ABS(UL)
 FLAME CLASS: 94HB
 MATERIAL: POM
 FLAME CLASS: 94HB
 COLOR: BLACK



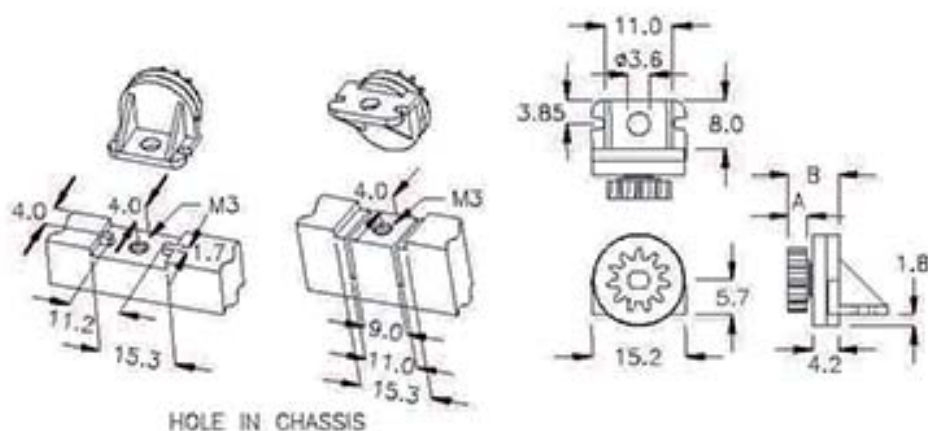
PART NO	PITCH DIAMETER	MODULE	TOOTH NUMBER	PRESSURE ANGLE	A	B	TORQUE (gf-cm)	PACKAGE
PG-BLS	$\phi 8.8$	0.8	11	20'	3.0	7.6	15,45	500
PG-BOS	$\phi 10.4$	0.8	13	20'	3.0	7.6	100,130	

TORQUE VALUE CAN BE CUSTOMIZED PER CUSTOMERS' DEMAND

塑膠阻尼器 ROTARY DAMPER



MATERIAL: ABS(UL)
 FLAME CLASS: 94HB
 MATERIAL: POM
 FLAME CLASS: 94HB
 COLOR: BLACK



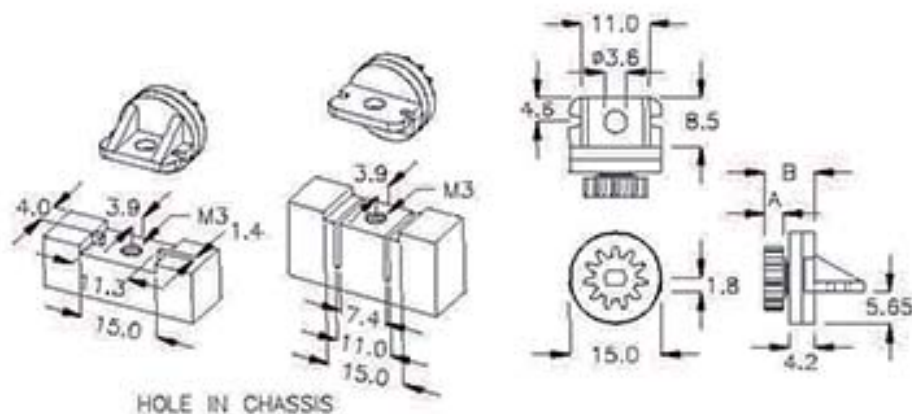
PART NO	PITCH DIAMETER	MODULE	TOOTH NUMBER	PRESSURE ANGLE	A	B	TORQUE (gf-cm)	PACKAGE
PG-5AS	ø8.8	0.8	11	20°	3.0	7.6	15	500
PG-5MS	ø10.4	0.8	13	20°	3.0	7.6		

TORQUE VALUE CAN BE CUSTOMIZED PER CUSTOMERS' DEMAND

塑膠阻尼器 ROTARY DAMPER



MATERIAL: ABS(UL)
 FLAME CLASS: 94HB
 MATERIAL: POM
 FLAME CLASS: 94HB
 COLOR: BLACK



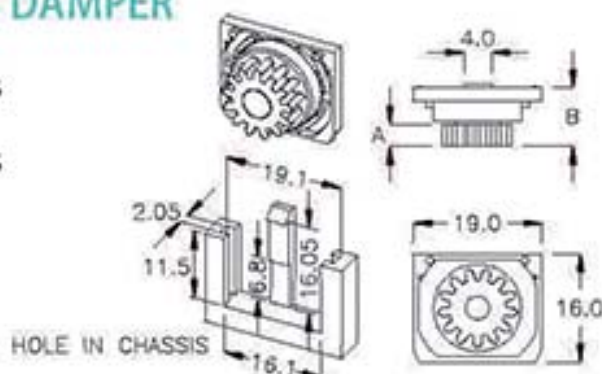
PART NO	PITCH DIAMETER	MODULE	TOOTH NUMBER	PRESSURE ANGLE	A	B	TORQUE (gf-cm)	PACKAGE
PG-5CS	ø8.8	0.8	11	20°	3.0	7.6	15,45	500
PG-5LS	ø10.4	0.8	13	20°	3.0	7.6	100,130	

TORQUE VALUE CAN BE CUSTOMIZED PER CUSTOMERS' DEMAND



塑膠阻尼器 ROTARY DAMPER

MATERIAL: ABS(UL)
 FLAME CLASS: 94HB
 MATERIAL: POM
 FLAME CLASS: 94HB
 COLOR: BLACK



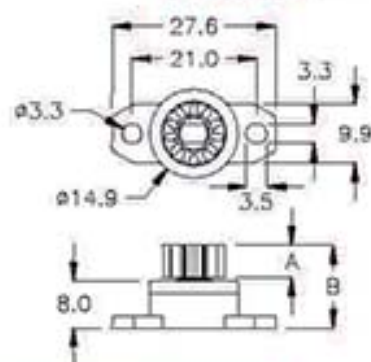
PART NO	PITCH DIAMETER	MODULE	TOOTH NUMBER	PRESSURE ANGLE	A	B	TORQUE (gf-cm)	PACKAGE
PG-06C	φ10.4	0.8	13	20°	3.2	8.6	25,37,65	500

TORQUE VALUE CAN BE CUSTOMIZED PER CUSTOMERS' DEMAND
 INSTALLATION: IS JAMED BY THE CLIP



塑膠阻尼器 ROTARY DAMPER

MATERIAL: PC(UL)
 FLAME CLASS: 94V-2
 MATERIAL: POM
 FLAME CLASS: 94HB
 COLOR: BLACK



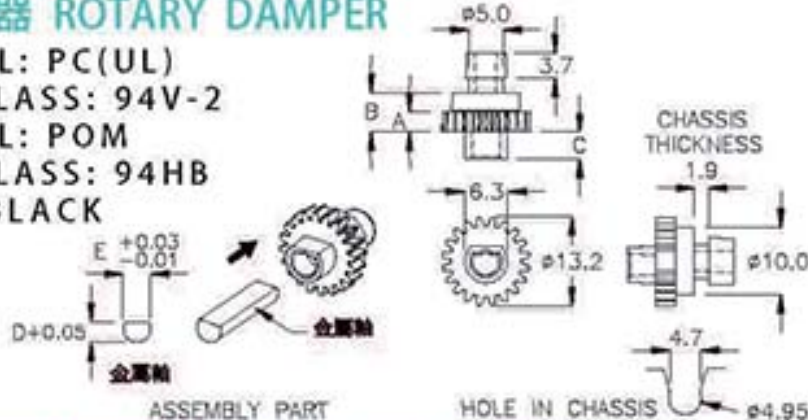
PART NO	PITCH DIAMETER	MODULE	TOOTH NUMBER	PRESSURE ANGLE	A	B	TORQUE (gf-cm)	PACKAGE
PG-16D	φ8.8	0.8	11	20°	5.5	14.0	60~500	500

TORQUE VALUE CAN BE CUSTOMIZED PER CUSTOMERS' DEMAND



塑膠阻尼器 ROTARY DAMPER

MATERIAL: PC(UL)
 FLAME CLASS: 94V-2
 MATERIAL: POM
 FLAME CLASS: 94HB
 COLOR: BLACK



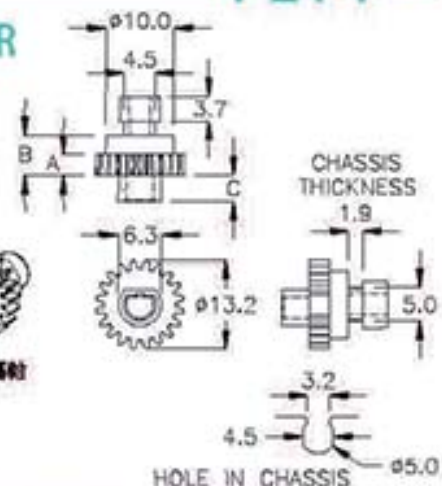
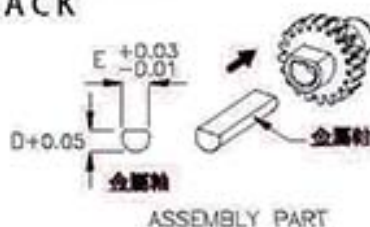
PART NO	PITCH DIAMETER	MODULE	TOOTH NUMBER	PRESSURE ANGLE	A	B	C	D	E	TORQUE (gf-cm)	PACKAGE
PG-17	φ12.0	0.8	20	20°	3.0	6.15	4.0	3.05	φ4.05	13	500
PG-18	φ12.0	0.8	20	20°	3.0	7.15	3.0	3.7	φ4.7	25	

TORQUE VALUE CAN BE CUSTOMIZED PER CUSTOMERS' DEMAND



塑膠阻尼器 ROTARY DAMPER

MATERIAL: PC(UL)
 FLAME CLASS: 94V-2
 MATERIAL: POM
 FLAME CLASS: 94HB
 COLOR: BLACK



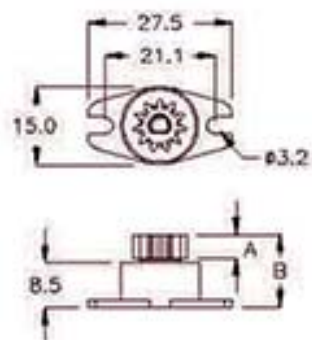
PART NO	PITCH DIAMETER	MODULE	TOOTH NUMBER	PRESSURE ANGLE	A	B	C	D	E	TORQUE (gf-cm)	PACKAGE
PG-17MD	$\phi 12.0$	0.6	20	20°	3.0	6.15	4.0	3.05	$\phi 4.05$	13	500

TORQUE VALUE CAN BE CUSTOMIZED PER CUSTOMERS' DEMAND



塑膠阻尼器 ROTARY DAMPER

MATERIAL: PC(UL)
 FLAME CLASS: 94V-2
 MATERIAL: POM
 FLAME CLASS: 94HB
 COLOR: BLACK
 AVAILABLE TORQUE: 220gf-cm



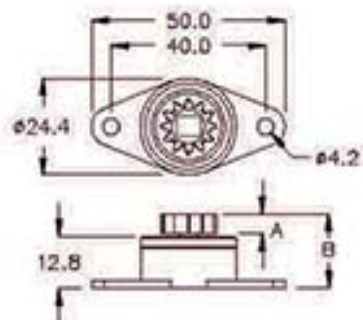
PART NO	PITCH DIAMETER	MODULE	TOOTH NUMBER	PRESSURE ANGLE	A	B	PACKAGE
PG-22	$\phi 8.8$	0.8	11	20°	4.5	13.8	500

TORQUE VALUE CAN BE CUSTOMIZED PER CUSTOMERS' DEMAND



塑膠阻尼器 ROTARY DAMPER

MATERIAL: PC(UL)
 FLAME CLASS: 94V-2
 MATERIAL: POM
 FLAME CLASS: 94HB
 COLOR: BLACK
 AVAILABLE TORQUE: 500gf-cm



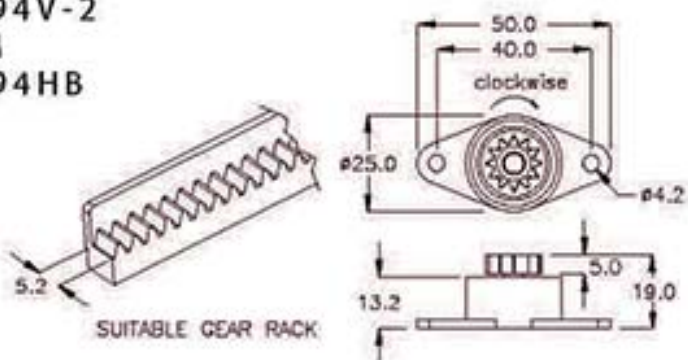
PART NO	PITCH DIAMETER	MODULE	TOOTH NUMBER	PRESSURE ANGLE	A	B	PACKAGE
PG-20	$\phi 12.0$	1.0	12	20°	5.0	18.2	64

TORQUE VALUE CAN BE CUSTOMIZED PER CUSTOMERS' DEMAND



塑膠阻尼器 ROTARY DAMPER

MATERIAL: PC(UL)
 FLAME CLASS: 94V-2
 MATERIAL: POM
 FLAME CLASS: 94HB
 COLOR: BLACK



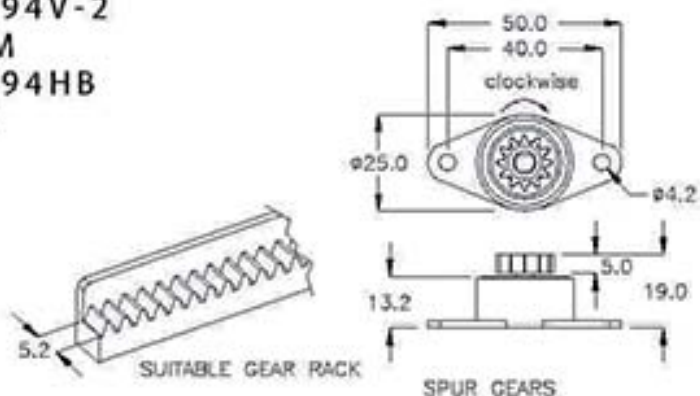
PART NO	PITCH DIAMETER	MODULE	TOOTH NUMBER	PRESSURE ANGLE	TORQUE g ² -cm		PACKAGE
					withstand	clockwise	
PG-30-600	φ12.0	1.0	12	20°	600	50	64
PG-30-1400	φ12.0	1.0	12	20°	1400	50	

TORQUE VALUE CAN BE CUSTOMIZED PER CUSTOMERS' DEMAND



塑膠阻尼器 ROTARY DAMPER

MATERIAL: PC(UL)
 FLAME CLASS: 94V-2
 MATERIAL: POM
 FLAME CLASS: 94HB
 COLOR: BLACK



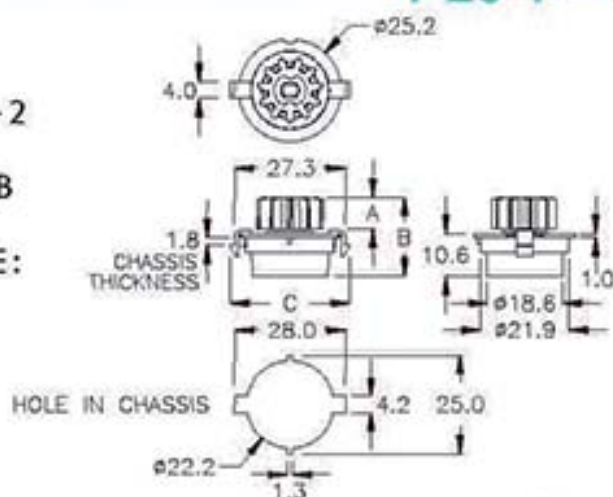
PART NO	PITCH DIAMETER	MODULE	TOOTH NUMBER	TYPE OF GEARS	PRESSURE ANGLE	TORQUE g ² -cm		PACKAGE
						withstand	clockwise	
PG-50-600	φ12.0	1.0	12	SPUR GEARS	20°	600	50	64
PG-50-1400	φ12.0	1.0	12	SPUR GEARS	20°	1400	50	

TORQUE VALUE CAN BE CUSTOMIZED PER CUSTOMERS' DEMAND

塑膠阻尼器 ROTARY DAMPER



MATERIAL: PC(UL)
 FLAME CLASS: 94V-2
 MATERIAL: POM
 FLAME CLASS: 94HB
 COLOR: BLACK
 AVAILABLE TORQUE:
 100gf-cm



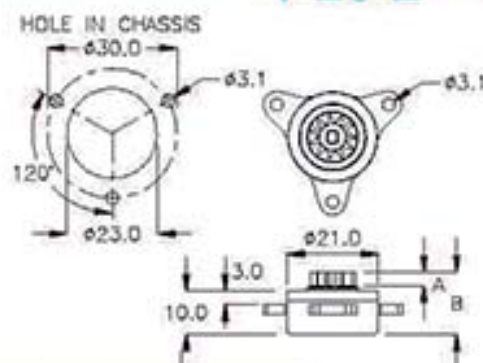
PART NO	PITCH DIAMETER	MODULE	TOOTH NUMBER	PRESSURE ANGLE	A	B	C	PACKAGE
PG-27	$\phi 13.75$	1.25	11	20°	7.9	19.5	29.3	200

TORQUE VALUE CAN BE CUSTOMIZED PER CUSTOMERS' DEMAND

塑膠阻尼器 ROTARY DAMPER



MATERIAL: PC(UL)
 FLAME CLASS: 94V-2
 MATERIAL: POM
 FLAME CLASS: 94HB
 COLOR: BLACK
 AVAILABLE TORQUE:
 400gf-cm



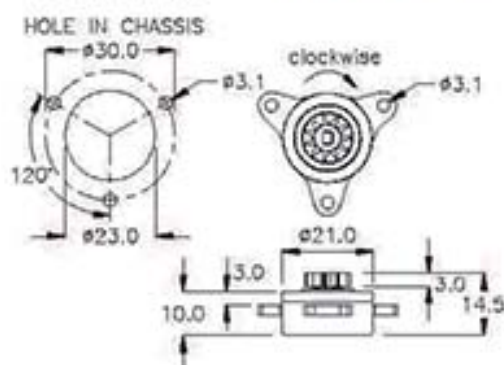
PART NO	PITCH DIAMETER	MODULE	TOOTH NUMBER	PRESSURE ANGLE	A	B	PACKAGE
PG-40	$\phi 8.8$	0.8	11	20°	3.0	14.5	200

TORQUE VALUE CAN BE CUSTOMIZED PER CUSTOMERS' DEMAND

塑膠阻尼器 ROTARY DAMPER



MATERIAL: PC(UL)
 FLAME CLASS: 94V-2
 MATERIAL: POM
 FLAME CLASS: 94HB
 COLOR: BLACK



PART NO	PITCH DIAMETER	MODULE	TOOTH NUMBER	PRESSURE ANGLE	TORQUE gf-cm		PACKAGE
					anticlockwise	clockwise	
PG-45-380	$\phi 8.8$	0.8	11	20°	380	140	200
PG-45-700	$\phi 8.8$	0.8	11	20°	700	200	

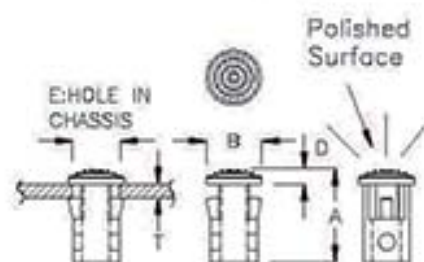
TORQUE VALUE CAN BE CUSTOMIZED PER CUSTOMERS' DEMAND

1-27-1

導光罩 LIGHT TRANSPORTER



MATERIAL: PC(UL)
FLAME CLASS: 94V-2
COLOR: CLEAR



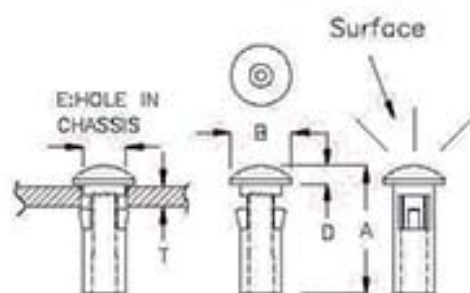
PART NO.	A	B	D	E: HOLE IN CHASSIS	T: HOLE CHASSIS THICKNESS	SUITABLE DIAMETER FIBER	PACKAGE
EDN-03	6.9	ø4.1	1.1	ø3.5	1.0	ø2.0	1000

1-27-2

導光罩 LIGHT TRANSPORTER



MATERIAL: PC(UL)
FLAME CLASS: 94V-2
COLOR: CLEAR



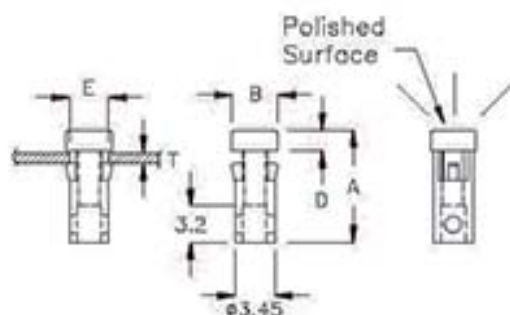
PART NO.	SURFACE	A	B	D	E: HOLE IN CHASSIS	T: HOLE CHASSIS THICKNESS	SUITABLE DIAMETER FIBER	PACKAGE
EDN-3C	Matt	11.6	ø5.0	1.5	ø3.55	3.0	ø2.0	1000
EDN-5A	Polished	6.9	ø5.1	1.1	ø4.5	1.0	ø3.0	

1-27-3

導光罩 LIGHT TRANSPORTER



MATERIAL: PC(UL)
FLAME CLASS: 94V-2
COLOR: CLEAR

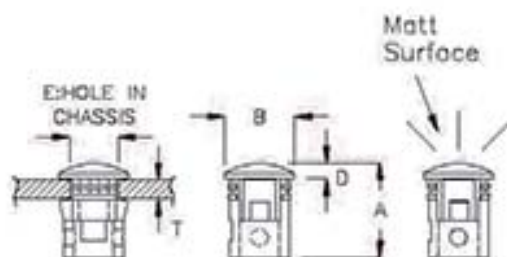


PART NO.	A	B	D	E: HOLE IN CHASSIS	T: HOLE CHASSIS THICKNESS	SUITABLE DIAMETER FIBER	PACKAGE
EDN-3K	9.8	ø4.0	1.8	ø3.5	1.0	ø2.0	1000

導光罩 LIGHT TRANSPORTER



MATERIAL: PC(UL)
FLAME CLASS: 94V-2
COLOR: CLEAR

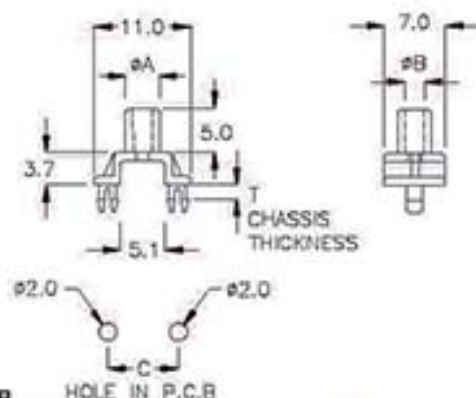


PART NO	A	B	D	E-HOLE IN CHASSIS	T-HOLE CHASSIS THICKNESS	SUITABLE DIAMETER FIBER	PACKAGE
EDN-5SP	6.9	ø5.1	1.1	ø4.5	1.6	ø3.0	1000

SMD座 SMD HOUSING



MATERIAL: NYLON 66(UL)
FLAME CLASS: 94V-2
COLOR: BLACK



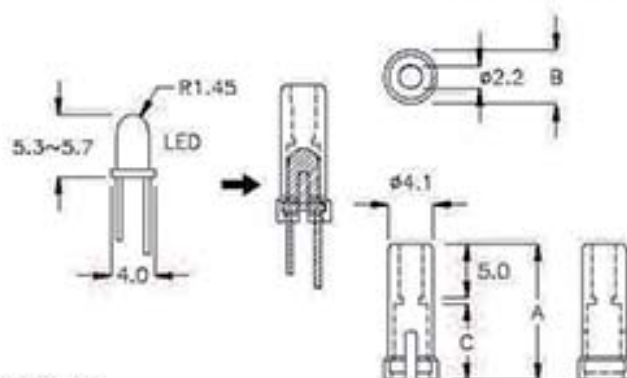
搭配 $\phi 2$ 、 $\phi 3$ 導光光纖使用

FOR SMD LAMP						
PART NO	A	B	C	T CHASSIS THICKNESS	FIBER DIAMETER	PACKAGE
EDZ-01	3.9	2.1	8.0	1.6	ø2.0	1000
EDZ-2F	4.7	3.0	8.0	1.6	ø3.0	

LED座 LED HOUSING



MATERIAL: NYLON 66(UL)
FLAME CLASS: 94V-2
COLOR: BLACK



搭配 $\phi 2$ 導光光纖使用

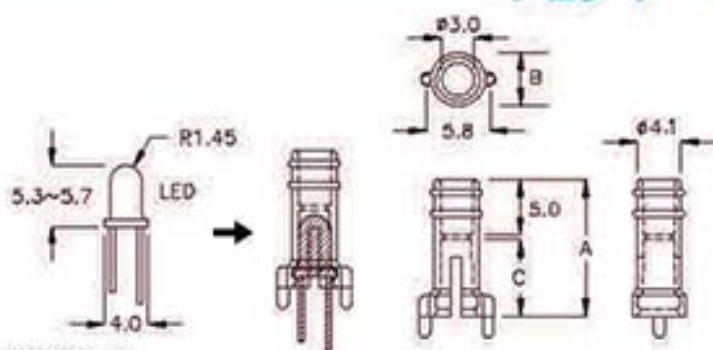
FOR ø3.2 PIN LED LAMP					
PART NO	A	B	C	FIBER DIAMETER	PACKAGE
EDZ-3A	12.5	ø4.9	7.0	ø2.0	1000

1-29-1

LED座 LED HOUSING

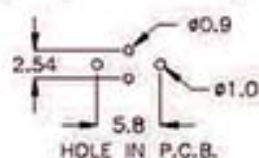


MATERIAL: NYLON 66(UL)
FLAME CLASS: 94V-2
COLOR: BLACK



搭配 $\phi 3$ 導光光纖使用

FOR $\phi 3$ 2 PIN LED LAMP					
PART NO	A	B	C	FIBER DIAMETER	PACKAGE
EDZ-2A	12.5	$\phi 4.9$	7.0	$\phi 3.0$	1000

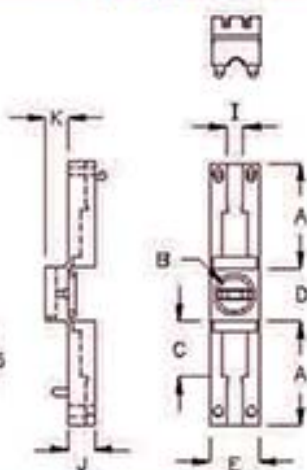
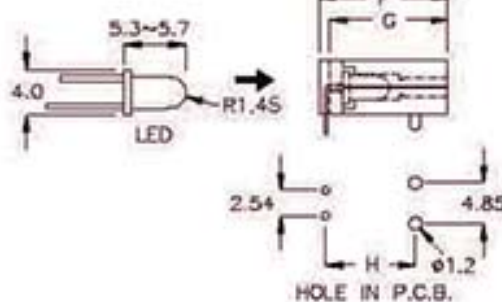


1-29-2

LED座 LED HOUSING



MATERIAL: NYLON 66(UL)
FLAME CLASS: 94V-2
COLOR: BLACK



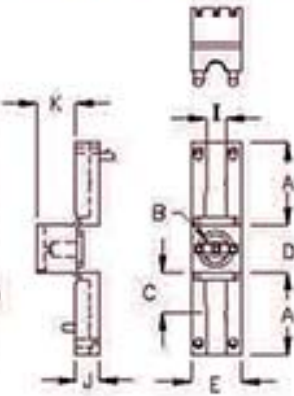
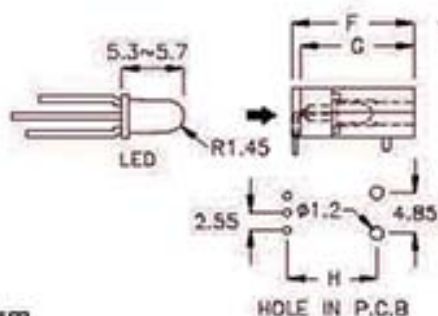
FOR $\phi 3$ 2 PIN LED LAMP													
PART NO	A	B	C	D	E	F	G	H	I	J	K	FIBER DIAMETER	PACKAGE
EDZ-03	13.0	$\phi 4.0$	7.0	6.5	6.0	15.9	14.6	11.05	2.1	3.2	2.9	$\phi 2.0$	500
EDZ-2C	12.3	$\phi 4.0$	6.0	7.0	7.5	14.8	13.5	10.05	3.0	3.6	2.4	$\phi 3.0$	

1-29-3

LED座 LED HOUSING



MATERIAL: NYLON 66(UL)
FLAME CLASS: 94V-2
COLOR: BLACK



搭配 $\phi 3$ 導光光纖使用

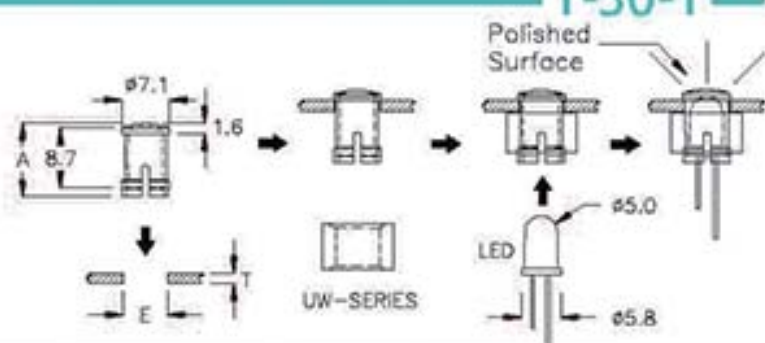
FOR $\phi 3$ 3 PIN LED LAMP													
PART NO	A	B	C	D	E	F	G	H	I	J	K	FIBER TRANSPORTER	PACKAGE
EDZ-04	12.3	$\phi 4.1$	6.0	7.0	7.5	18.2	16.9	13.5	3.0	3.6	5.8	$\phi 3.0$	500

1-30-1

LED導光罩 LED CAP



MATERIAL: PC(UL)
 FLAME CLASS: 94V-2
 COLOR: CLEAR
 CAN BE USED AS AN OPTION
 UW-SERIES (Page 1-30-3)



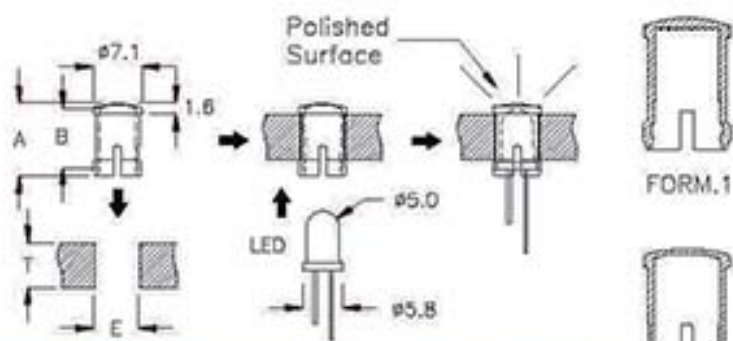
PART NO	A	T CHASSIS THICKNESS	SUITABLE HOLDER	E HOLE IN CHASSIS	PACKAGE
EDK-01	10.9	0.8	UW-07C	ø6.45	1000
		1.0	UW-07A		
		1.2	UW-06C		
		1.6	UW-06A		
		2.0	UW-05C		
		2.5	UW-05A		
		3.0	UW-04C		
6.7					

1-30-2

LED導光罩 LED CAP



MATERIAL: PC(UL)
 FLAME CLASS: 94V-2
 COLOR: CLEAR



PART NO	A	B	E HOLE IN CHASSIS	T CHASSIS THICKNESS	FORM	PACKAGE
EDK-1C	10.9	8.5	ø6.45	6.7	1	1000
EDK-1TP	10.8	8.9	ø6.45	6.7	2	

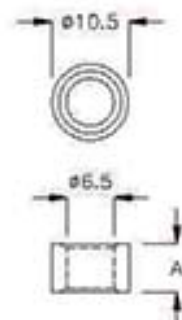
1-30-3

固定座 LAMP HOLDER



MATERIAL: NYLON 66(UL)
 FLAME CLASS: 94V-2
 COLOR: BLACK

PART NO	A	PACKAGE
UW-04C	4.5	2000
UW-05A	5.0	
UW-05C	5.5	
UW-06A	5.9	1000
UW-06C	6.3	
UW-07A	6.5	
UW-07C	6.7	



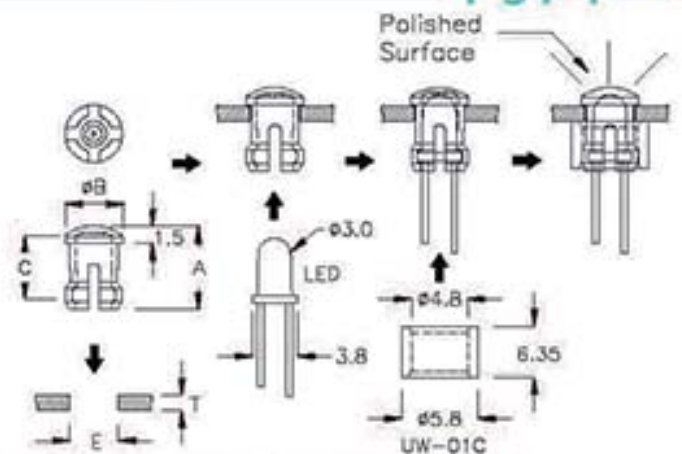
CAN BE USED WITH P.G PART EDK-01 (Page 1-30-1)

1-31-1

LED導光罩 LED CAP



MATERIAL: PC(UL)
FLAME CLASS: 94V-2
COLOR: CLEAR



PART NO	A	B	C	T CHASSIS THICKNESS	SUITABLE HOLDER	LED HOLE IN CHASSIS	PACKAGE
EDK-02	7.3	5.0	5.6	0.8~2.8	UW-01C	φ4.3	1000

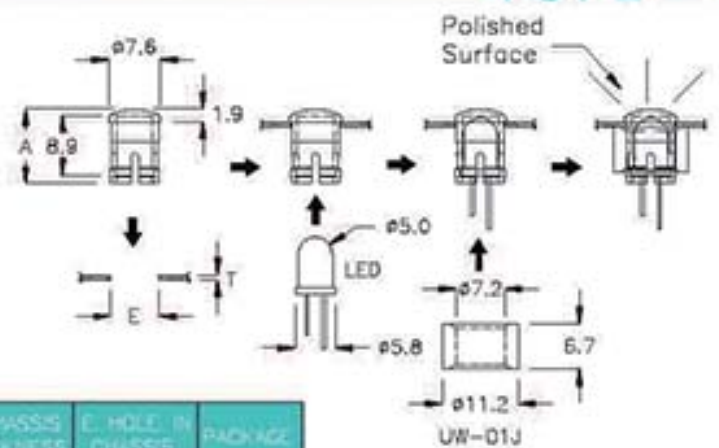
CAN BE USED AS AN OPTION P.G PART UW-01C (Page 13-21-3)

1-31-2

LED導光罩 LED CAP



MATERIAL: PC(UL)
FLAME CLASS: 94V-2
COLOR: CLEAR



PART NO	A	T CHASSIS THICKNESS	LED HOLE IN CHASSIS	PACKAGE
EDK-03	11.1	0.8	φ7.2	1000

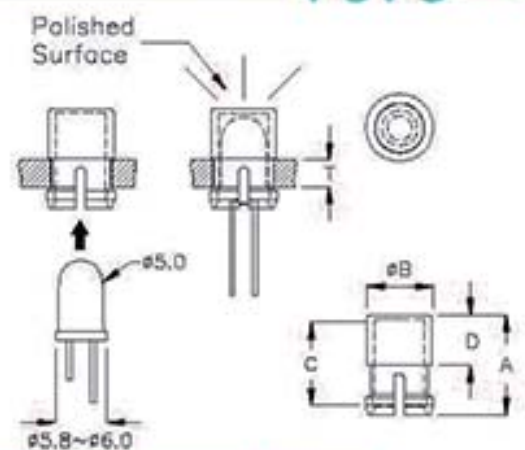
CAN BE USED AS AN OPTION P.G PART UW-01J (Page 13-21-3)

1-31-3

LED導光罩 LED CAP



MATERIAL: PC(UL)
FLAME CLASS: 94V-2
COLOR: CLEAR



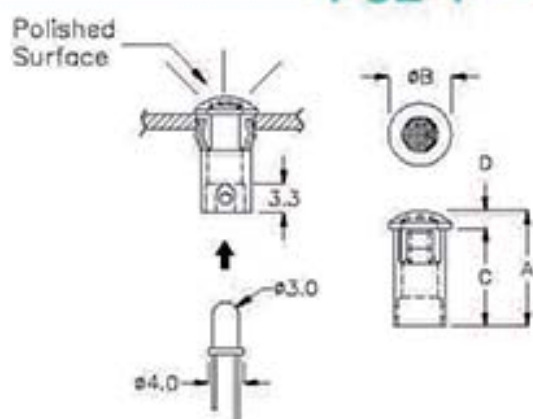
PART NO	A	B	C	D	HOLE IN CHASSIS	T CHASSIS THICKNESS	SUITABLE LED LAMP	PACKAGE
EDK-1A	10.9	7.2	9.1	5.4	φ6.4	3.2	φ5.0	1000

1-32-1

LED導光罩 LED CAP



MATERIAL: PC(UL)
FLAME CLASS: 94V-2
COLOR: CLEAR

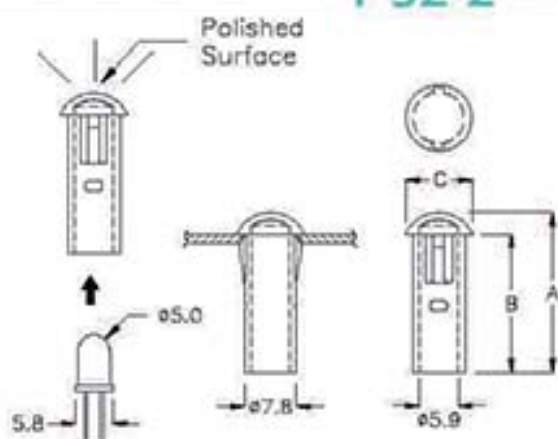


PART NO	A	B	C	D	HOLE IN CHASSIS	CHASSIS THICKNESS	SUITABLE LED LAMP	PACKAGE
EDN-05	13.2	$\phi 7.1$	11.2	2.0	$\phi 6.0$	1.6~2.0	$\phi 3.0$	1000

LED導光罩 LED CAP



MATERIAL: PC(UL)
FLAME CLASS: 94V-2
COLOR: CLEAR



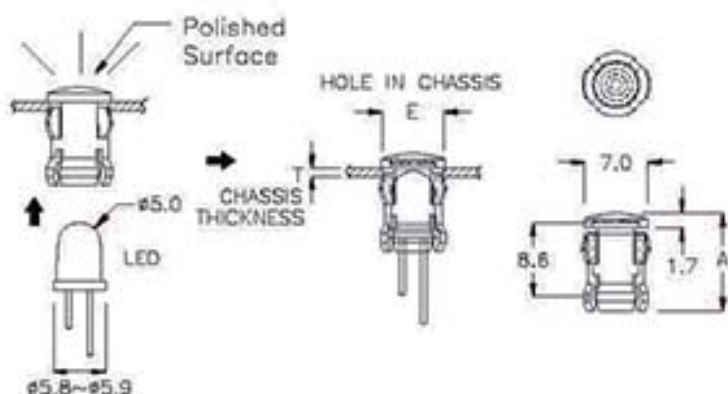
PART NO	A	B	C	HOLE IN CHASSIS	CHASSIS THICKNESS	PACKAGE
EDN-3C	24.2	20.9	$\phi 10.1$	$\phi 8.5$	2.0	500

1-32-3

LED導光罩 LED CAP



MATERIAL: PC(UL)
FLAME CLASS: 94V-2
COLOR: CLEAR

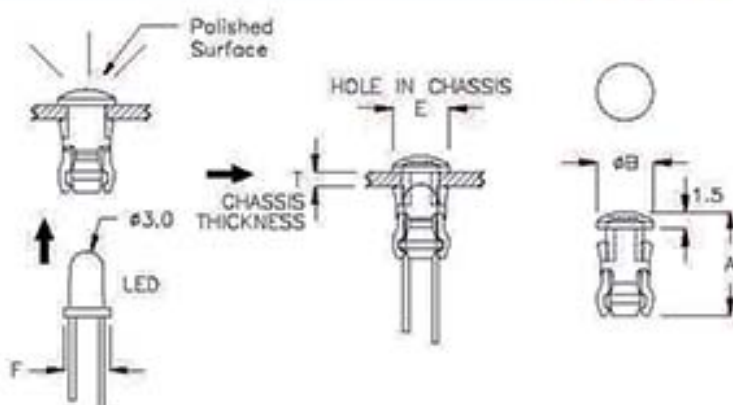


FOR $\phi 5$ SPIN LED LAMP				
PART NO	A	E	T	PACKAGE
EDK-5A	10.9	$\phi 6.4$	0.8	1000

LED導光罩 LED CAP



MATERIAL: PC(UL)
FLAME CLASS: 94V-2
COLOR: CLEAR

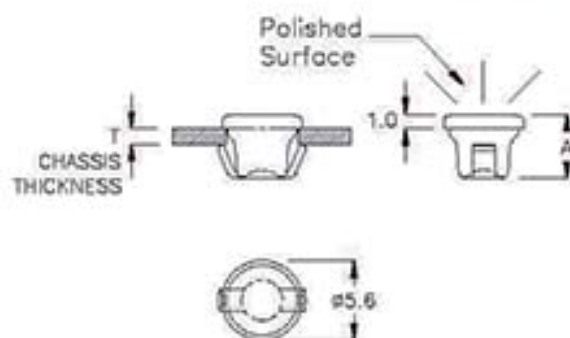


FOR #3 2PIN LED LAMP						
PART NO	A	B	E	F	T	PACKAGE
EDK-3F	9.1	φ5.0	φ4.3	3.8	1.1	1000
EDK-3HW	9.3	φ5.3	φ4.8	3.9	0.8	

導光柱 LIGHT PIPE



MATERIAL: PC(UL)
FLAME CLASS: 94V-2
COLOR: CLEAR

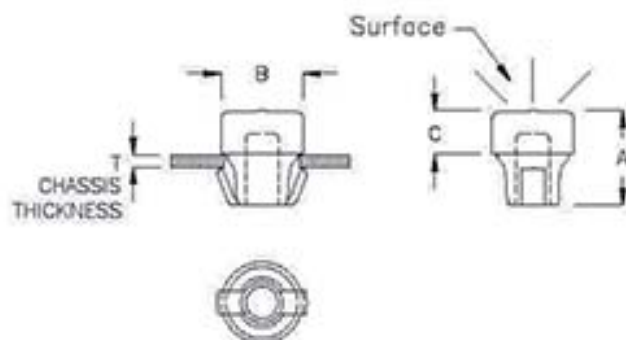


PART NO	A	HOLE IN CHASSIS	T-CHASSIS THICKNESS	PACKAGE
HHP-04	4.5	φ5.0	1.0	1000
HHP-4A	4.9	φ5.0	1.2	
HHP-4F	3.8	φ5.0	0.8	

導光柱 LIGHT PIPE



MATERIAL: PC(UL)
FLAME CLASS: 94V-2
COLOR: CLEAR

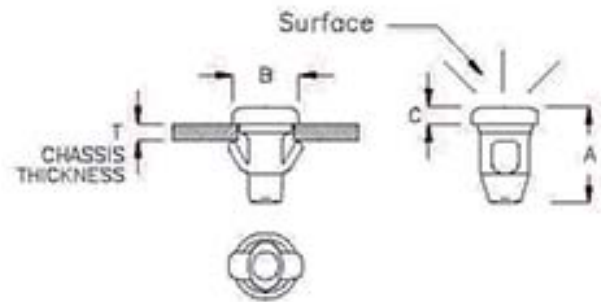


PART NO	SURFACE	A	B	C	HOLE IN CHASSIS	T-CHASSIS THICKNESS	PACKAGE
HHP-4C	Polished	6.5	φ5.6	3.0	φ5.0	0.8	1000
HHP-11JC	Matt	10.8	φ10.0	6.0	φ8.5	2.0	

導光柱 LIGHT PIPE

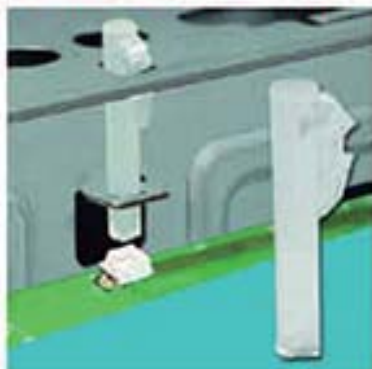


MATERIAL: PC(UL)
FLAME CLASS: 94V-2
COLOR: CLEAR

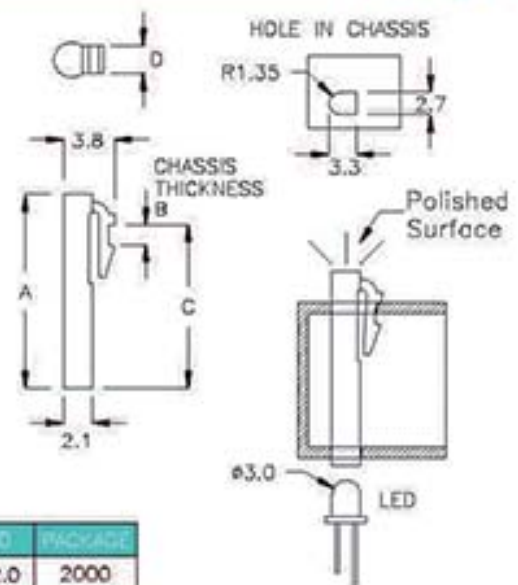


PART NO	SURFACE	A	B	C	HOLE IN CHASSIS	T, CHASSIS THICKNESS	PACKAGE
HHP-09	Polished	5.5	ø3.8	1.0	ø3.2	0.8	1000
HHP-9AC	Matt	9.0	ø5.0	0.5	ø4.3	0.8	

導光柱 LIGHT PIPE



MATERIAL: PC(UL)
FLAME CLASS: 94V-2
COLOR: CLEAR

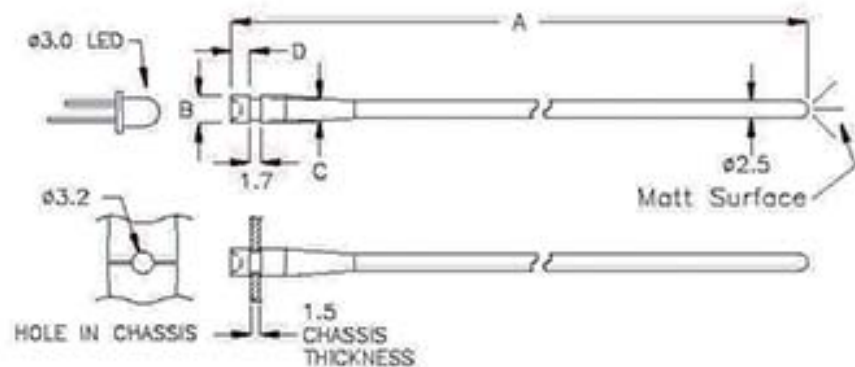


PART NO	A	B	C	D	PACKAGE
LEAD-14	14.4	1.2	12.1	2.0	2000

導光柱 LIGHT PIPE



MATERIAL: PMMA
FLAME CLASS: 94HB
COLOR: CLEAR



PART NO	A	B	C	D	PACKAGE
LEAD-15	223.2	ø4.0	ø3.0	2.7	100

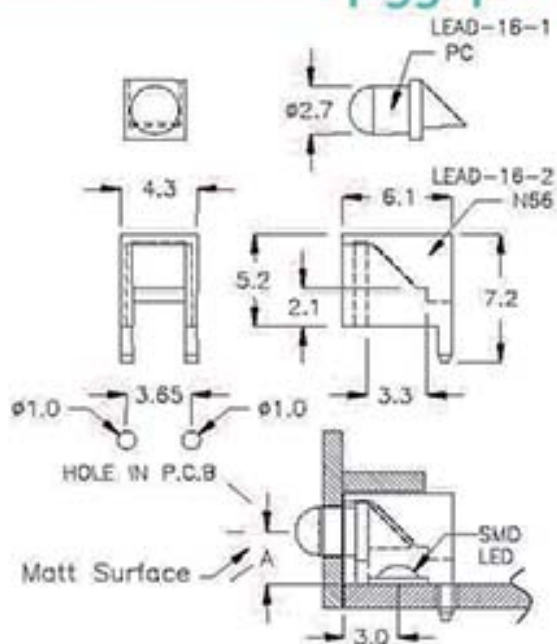
1-35-1

導光柱 LIGHT PIPE



MATERIAL: PC(UL)
 FLAME CLASS: 94V-0
 COLOR: CLEAR
 MOUNT MATERIAL:
 NYLON 66(UL)
 FLAME CLASS: 94V-0
 COLOR: BLACK

PART NO.	A	PACKAGE
LEAD-16	3.0	1000

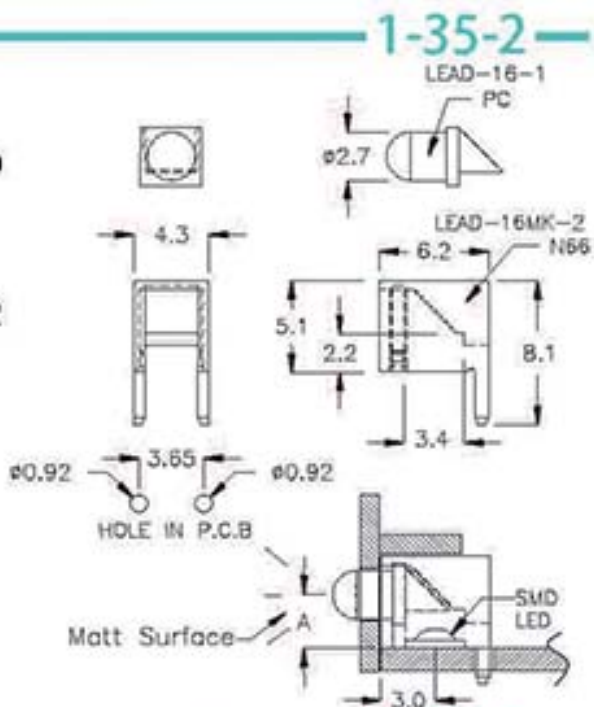


導光柱 LIGHT PIPE



MATERIAL: PC(UL)
 FLAME CLASS: 94V-0
 COLOR: CLEAR
 MOUNT MATERIAL:
 NYLON 66(UL)
 FLAME CLASS: 94V-2
 COLOR: BLACK

PART NO.	A	PACKAGE
LEAD-16MK	3.0	1000

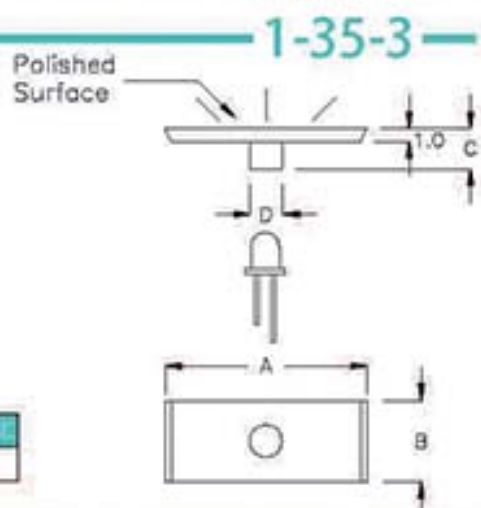


導光柱 LIGHT PIPE



MATERIAL: PMMA
 COLOR: CLEAR

PART NO.	A	B	C	D	PACKAGE
LEAD-17	15.0	6.0	3.0	$\phi 2.4$	1000

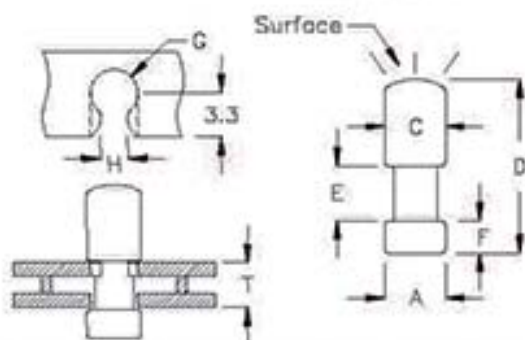


1-36-1

導光柱 LIGHT PIPE



MATERIAL: PC(UL)
FLAME CLASS: 94V-2
COLOR: CLEAR



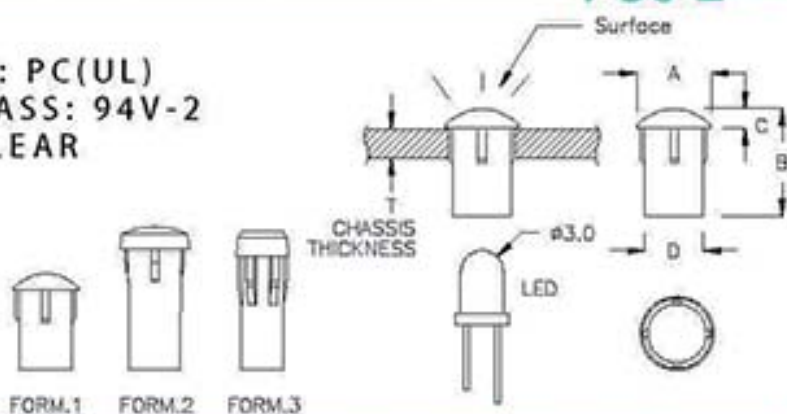
PART NO	A	C	D	E	F	G	H	T	SURFACE	PACKAGE
LEAD-20	φ4.95	φ4.95	14.1	4.4	2.62	φ3.65	3.45	4.2	Matt	2000
LEAD-20AC	φ4.95	φ4.95	15.8	4.5	2.65	φ3.55	3.35	4.3	Polished	

1-36-2

導光柱 LIGHT PIPE



MATERIAL: PC(UL)
FLAME CLASS: 94V-2
COLOR: CLEAR



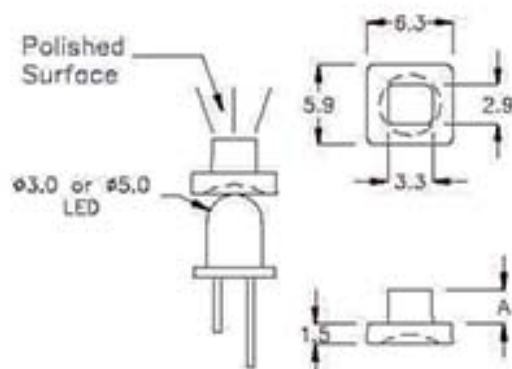
PART NO	A	B	C	D HOLE IN CHASSIS	T CHASSIS THICKNESS	SURFACE	FORM	PACKAGE
LEAD-3TM	φ3.3	3.95	0.75	φ3.0	>1.0	Matt	1	2000
LEAD-9HP	φ3.25	8.55	1.55	φ2.95	>1.8	Polished	3	
LEAD-18KT	φ3.8	5.5	1.0	φ3.1	>1.6	Polished	1	
LEAD-18	φ3.8	5.5	1.0	φ3.2	>1.8	Matt	1	
LEAD-30	φ3.8	4.1	1.0	φ3.1	>1.4	Matt	1	
LEAD-30FQ	φ3.8	3.5	1.0	φ3.1	>1.4	Matt	1	
LEAD-30M	φ3.8	9.7	1.2	φ3.1	>1.0	Polished	2	
LEAD-39	φ3.8	24.8	1.2	φ3.1	>1.0	Matt	2	1000

1-36-3

導光柱 LIGHT PIPE



MATERIAL: PC(UL)
FLAME CLASS: 94V-2
COLOR: CLEAR



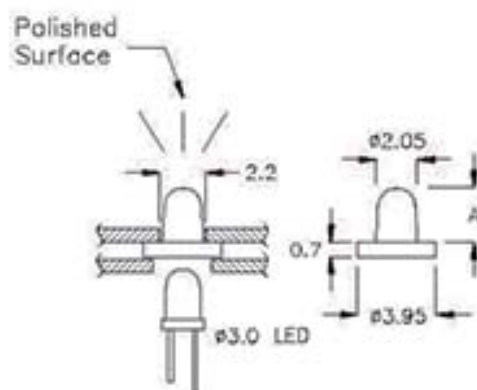
PART NO	A	PACKAGE
LEAD-29	2.5	2000

導光柱 LIGHT PIPE



MATERIAL: PC(UL)
FLAME CLASS: 94V-2
COLOR: CLEAR

PART NO	A	PACKAGE
LEAD-3FK	2.75	2000

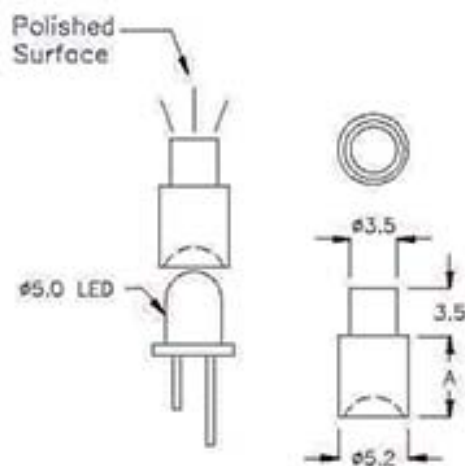


導光柱 LIGHT PIPE



MATERIAL: PC(UL)
FLAME CLASS: 94V-2
COLOR: CLEAR

PART NO	A	PACKAGE
LEAD-35	6.0	2000

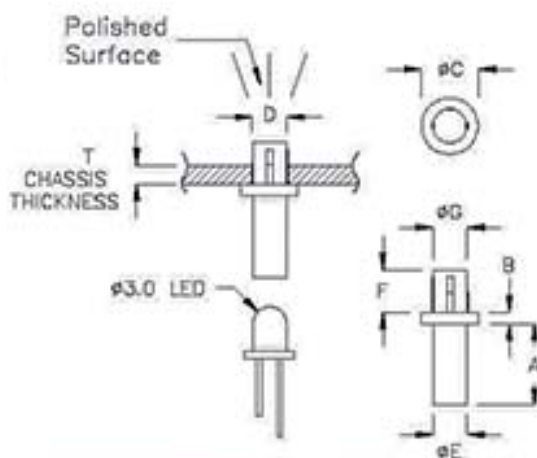


導光柱 LIGHT PIPE



MATERIAL: PC(UL)
FLAME CLASS: 94V-2
COLOR: CLEAR

PART NO	A	B	C	D HOLE IN CHASSIS	E	F	G	T CHASSIS THICKNESS	PACKAGE
LEHD-5Q	1.4	1.3	3.8	$\phi 3.0$	2.8	2.3	2.6	1.4	2000
LEHD-12F	7.0	1.0	4.9	$\phi 3.0$	2.9	3.6	2.9	1.6	



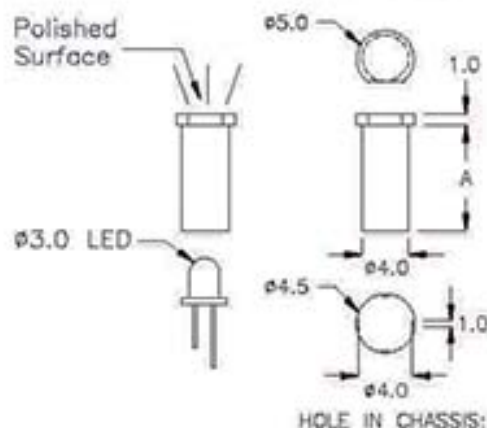
1-38-1

導光柱 LIGHT PIPE



MATERIAL: PMMA
COLOR: CLEAR

PART NO.	A	PACKAGE
LEZD-10	9.0	2000



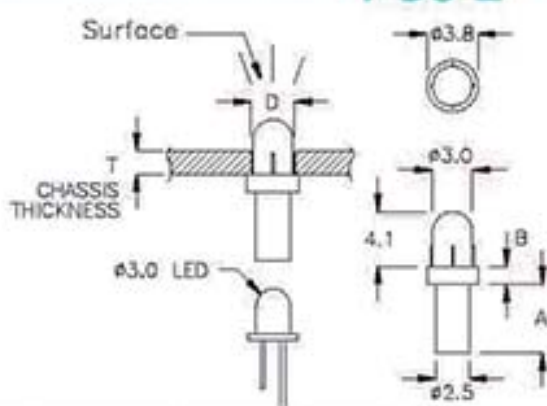
1-38-2

導光柱 LIGHT PIPE



MATERIAL: PC(UL)
FLAME CLASS: 94V-2
COLOR: CLEAR

PART NO.	A	B	D HOLE IN CHASSIS	T CHASSIS THICKNESS	SURFACE	PACKAGE
LEAD-36	5.1	1.3	ø3.1	1.6	Matt	1000
LEAD-36PQ	5.1	1.3	ø3.0	1.6	Polished	
LEAD-37	1.9	1.3	ø3.1	1.6	Matt	



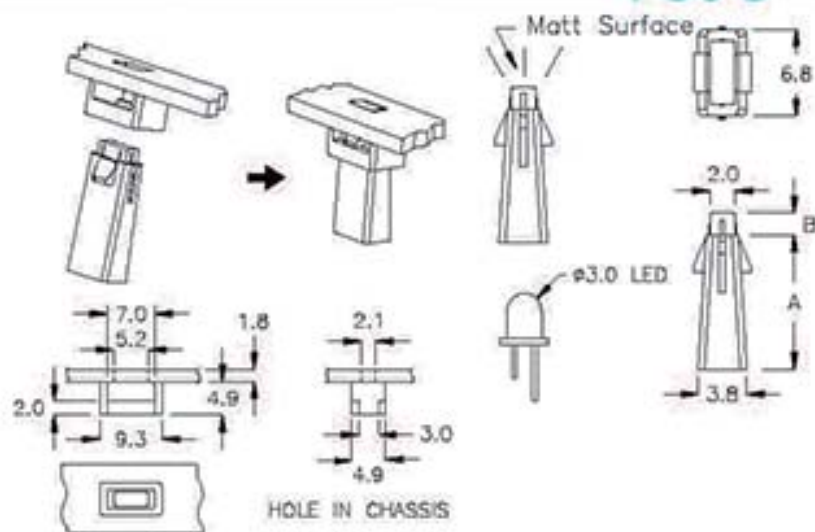
1-38-3

導光柱 LIGHT PIPE



MATERIAL: PC(UL)
FLAME CLASS: 94V-2
COLOR: CLEAR

PART NO.	A	B	PACKAGE
LEAD-52MK	14.2	1.7	2000

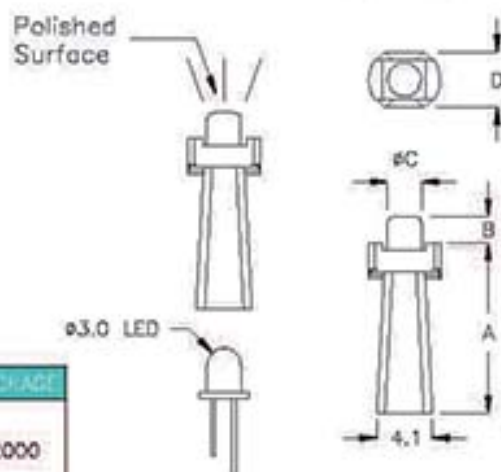


導光柱 LIGHT PIPE



MATERIAL: PC(UL)
FLAME CLASS: 94V-2
COLOR: CLEAR

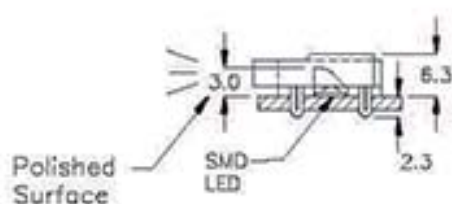
PART NO	A	B	C	D	PACKAGE
LEAD-40	10.1	2.0	2.5	3.0	2000
LEAD-51	12.6	2.0	2.5	4.1	
LEAD-51K	13.5	2.0	1.6	3.0	



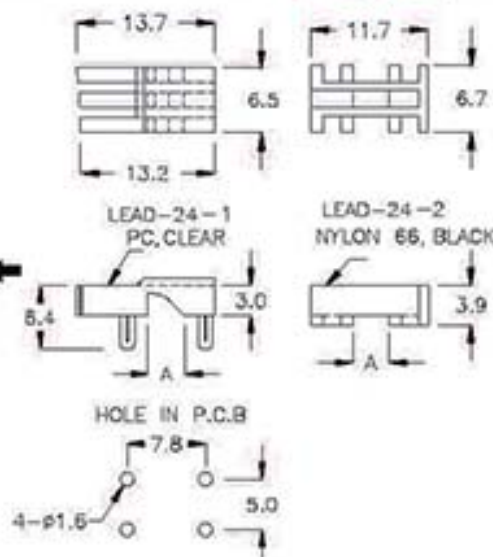
導光柱 LIGHT PIPE



MOUNT MATERIAL:
PC, NYLON 66(UL)
FLAME CLASS: 94V-0
COLOR: CLEAR, BLACK



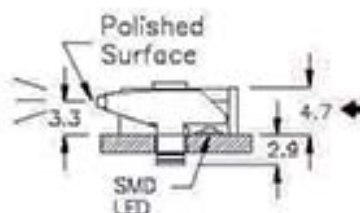
PART NO	A	PACKAGE
LEAD-24	3.6	1000



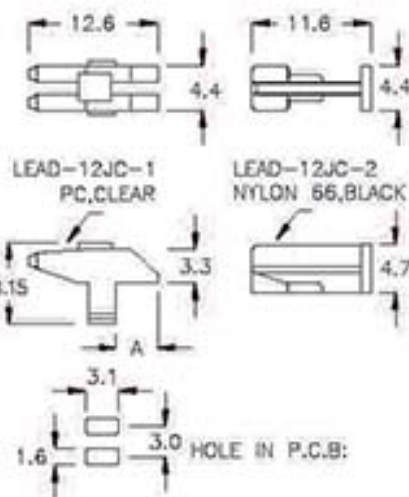
導光柱 LIGHT PIPE



MOUNT MATERIAL:
PC, NYLON 66(UL)
FLAME CLASS: 94V-2
COLOR: CLEAR, BLACK



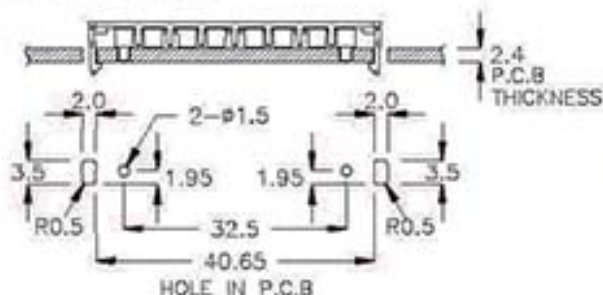
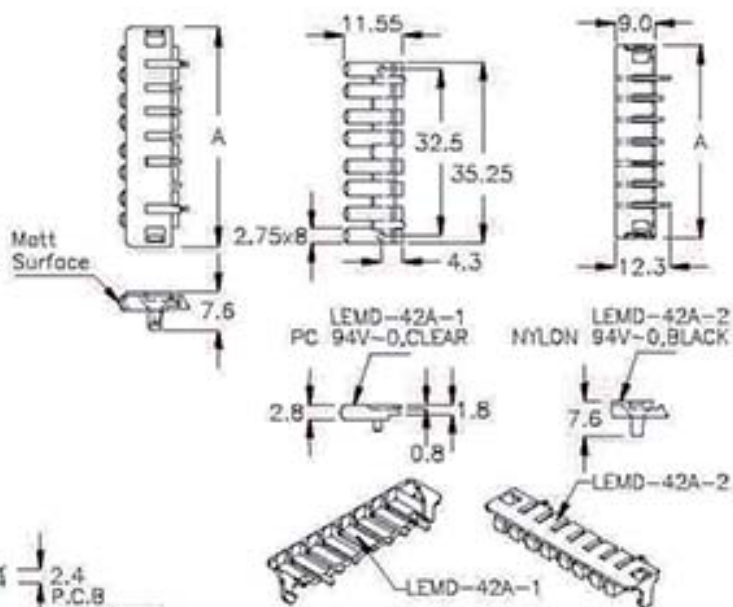
PART NO	A	P.C.B. THICKNESS	PACKAGE
LEAD-12JC	4.0	1.6	1000



導光柱 LIGHT PIPE



MATERIAL: PC, NYLON 66(UL)
 FLAME CLASS: 94V-0
 COLOR: CLEAR, BLACK

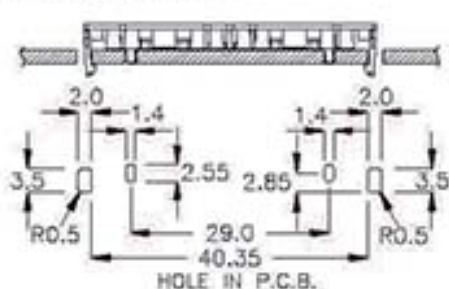
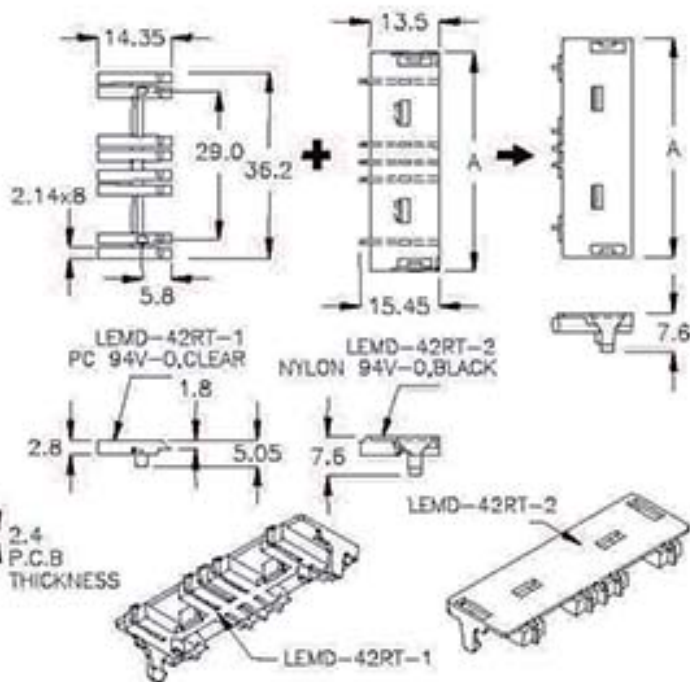


PART NO	A	PACKAGE
LEM-42A	42.8	200

導光柱 LIGHT PIPE



MATERIAL: PC, NYLON 66(UL)
 FLAME CLASS: 94V-0
 COLOR: CLEAR, BLACK

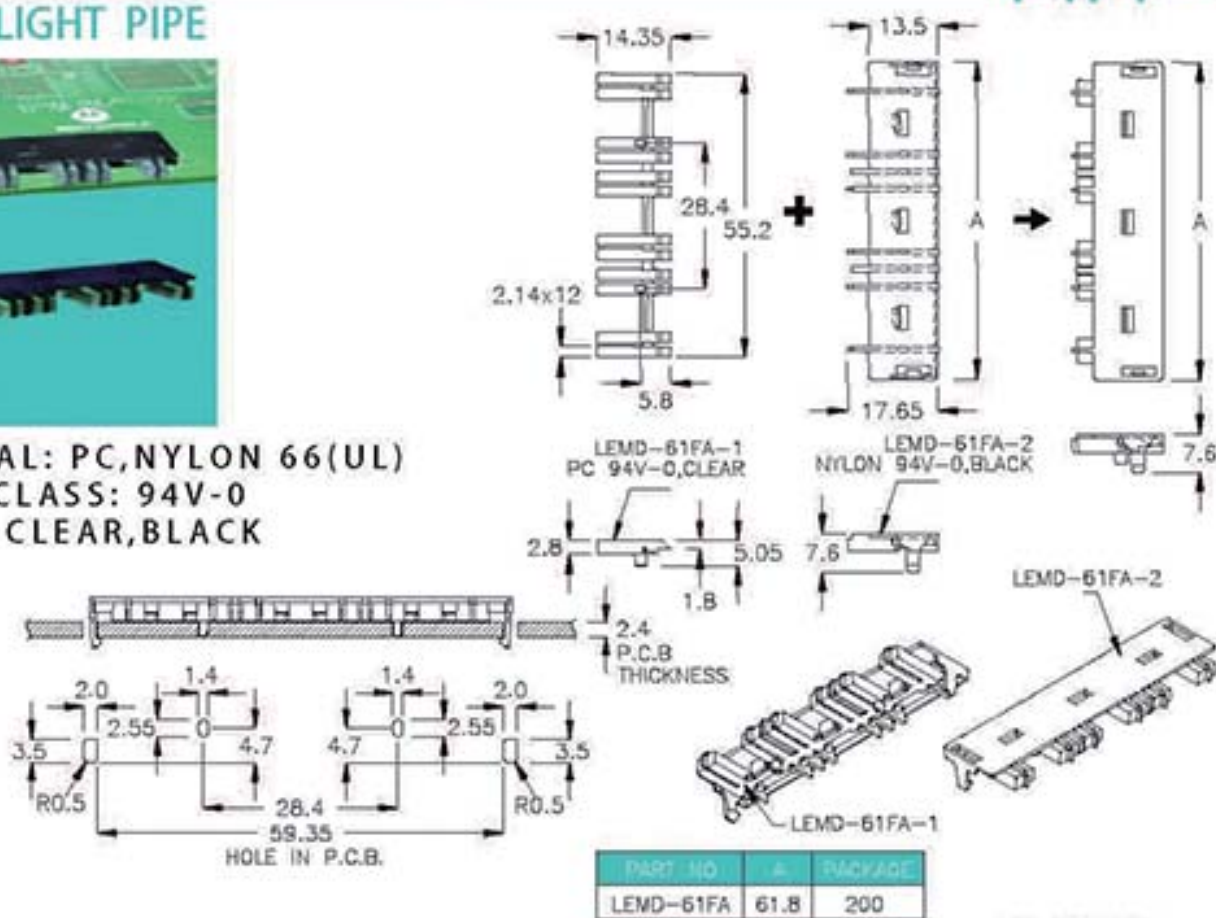


PART NO	A	PACKAGE
LEM-42RT	42.8	200

導光柱 LIGHT PIPE



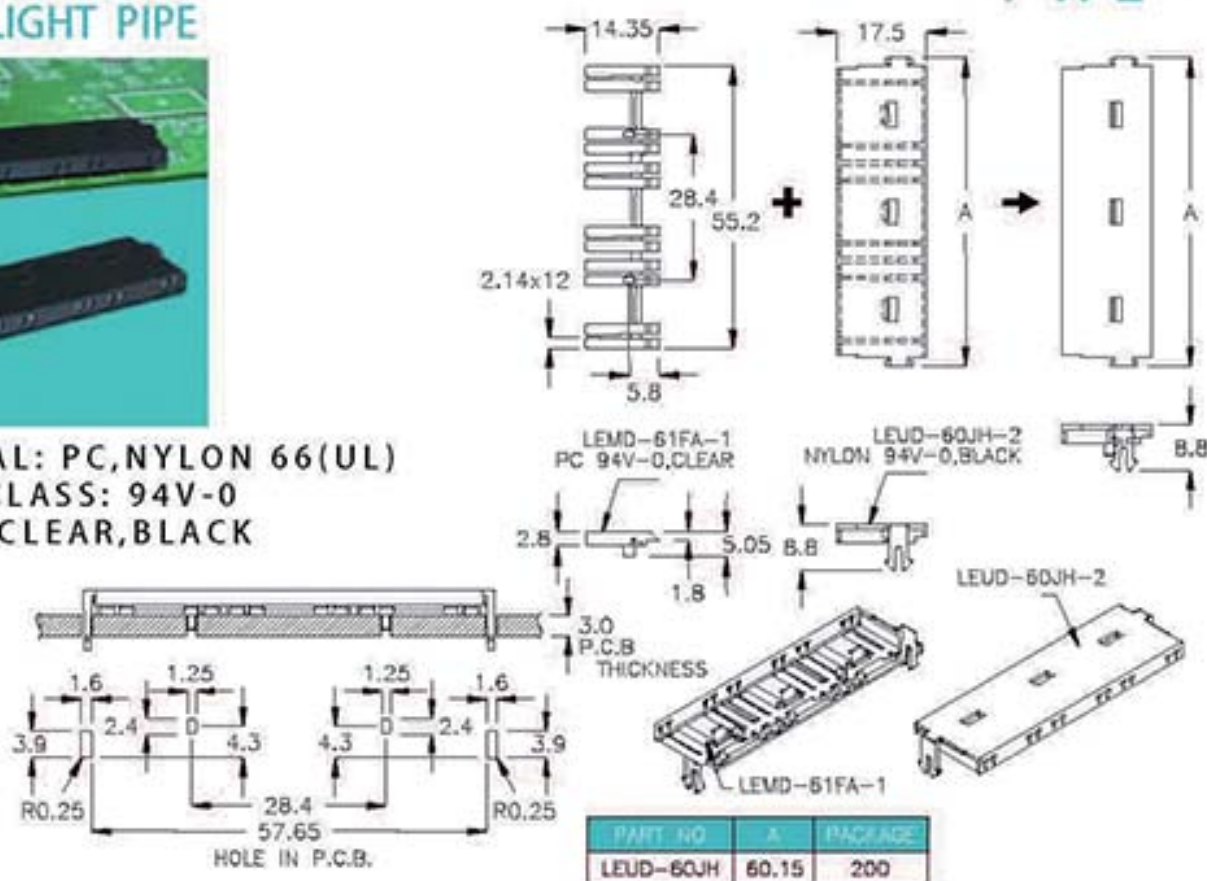
MATERIAL: PC, NYLON 66(UL)
FLAME CLASS: 94V-0
COLOR: CLEAR, BLACK



導光柱 LIGHT PIPE



MATERIAL: PC, NYLON 66(UL)
FLAME CLASS: 94V-0
COLOR: CLEAR, BLACK



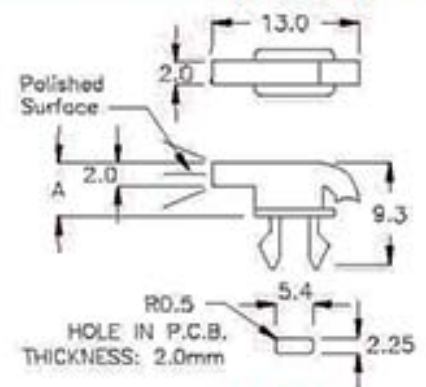
1-43-1



導光柱 LIGHT PIPE

MATERIAL: PC(UL)
FLAME CLASS: 94V-0
COLOR: CLEAR

PART NO	A	PACKAGE
LEFD-4A	4.7	1000



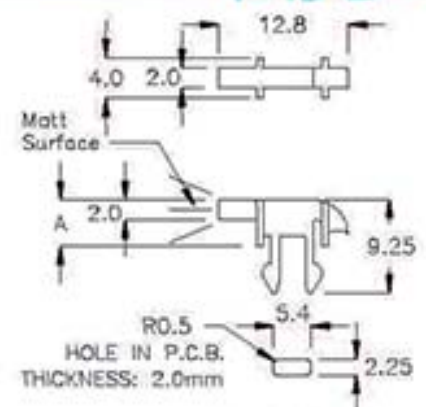
1-43-2



導光柱 LIGHT PIPE

MATERIAL: PC(UL)
FLAME CLASS: 94V-0
COLOR: CLEAR

PART NO	A	PACKAGE
LEFD-4RZ	4.7	1000



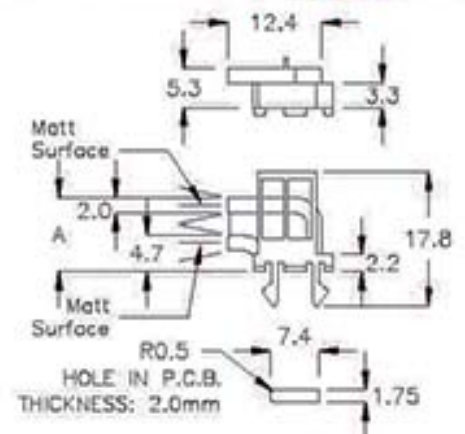
1-43-3



導光柱 LIGHT PIPE

MATERIAL: PC(UL)
FLAME CLASS: 94V-0
COLOR: CLEAR

PART NO	A	PACKAGE
LEFD-9DK	9.7	1000



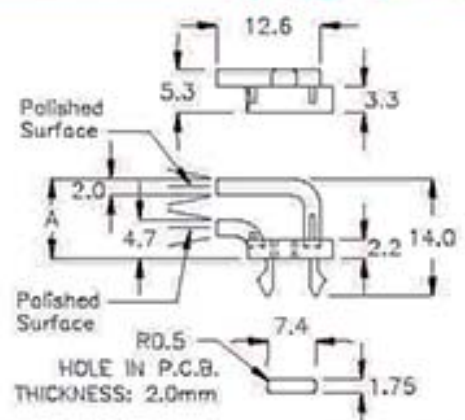
1-43-4



導光柱 LIGHT PIPE

MATERIAL: PC(UL)
FLAME CLASS: 94V-0
COLOR: CLEAR

PART NO	A	PACKAGE
LEFD-9MQ	9.7	1000

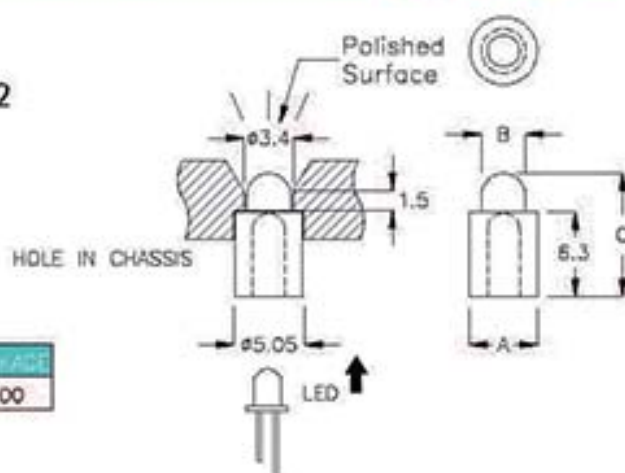


導光柱 LIGHT PIPE



MATERIAL: PC(UL)
FLAME CLASS: 94V-2
COLOR: CLEAR

PART NO	A	B	C	PACKAGE
HHQ-01	φ5.0	φ3.3	9.2	2000

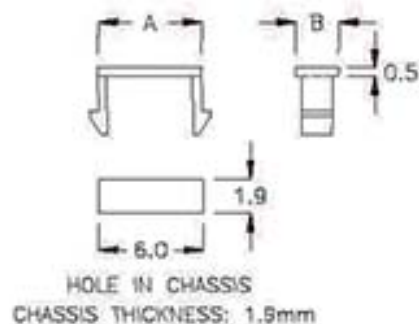


保護蓋 COVER



MATERIAL: PC(UL)
FLAME CLASS: 94V-2
COLOR: CLEAR

PART NO	A	B	PACKAGE
BHB-06	6.0	2.5	2000

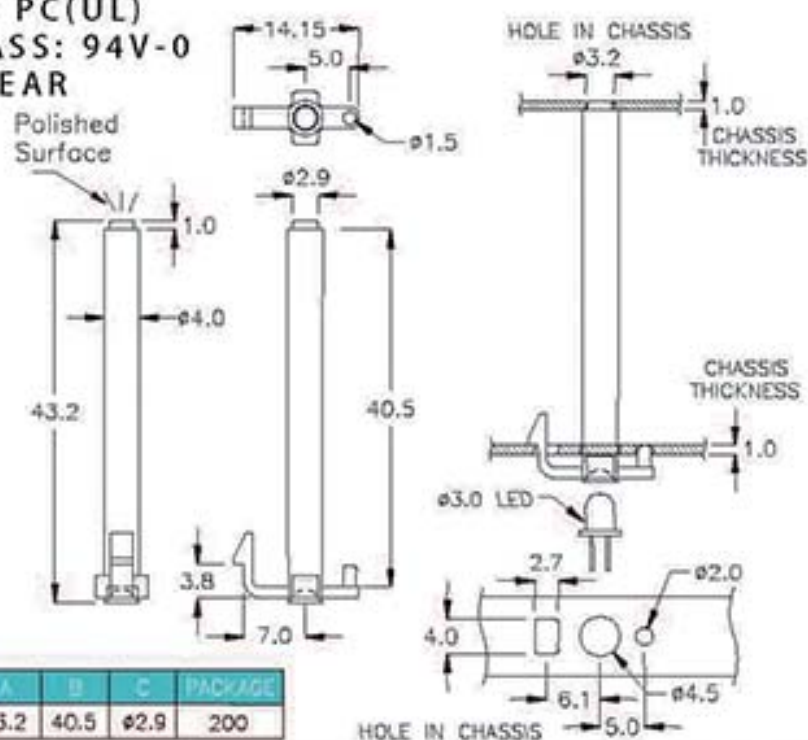


導光柱 LIGHT PIPE



MATERIAL: PC(UL)
FLAME CLASS: 94V-0
COLOR: CLEAR

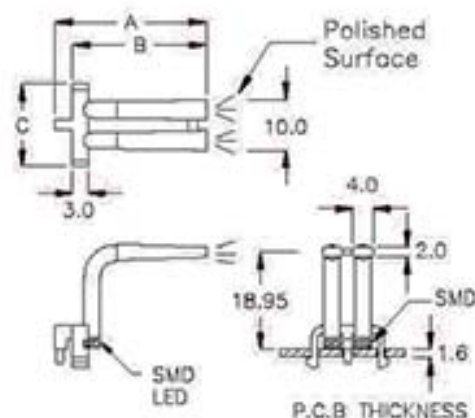
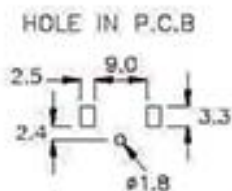
PART NO	A	B	C	PACKAGE
LEAD-43KT	43.2	40.5	φ2.9	200



導光柱 LIGHT PIPE



MATERIAL: PC(UL)
FLAME CLASS: 94V-2
COLOR: CLEAR

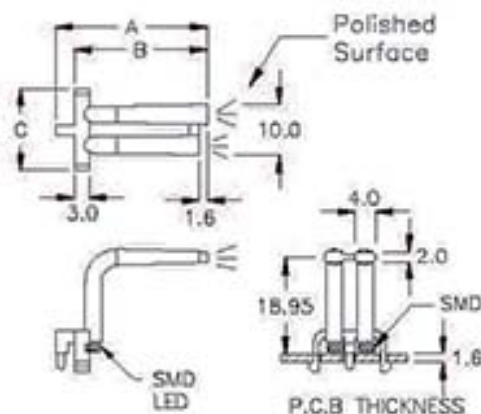
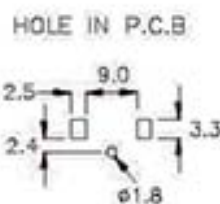


PART NO	A	B	C	PACKAGE
LEAD-25	29.7	26.2	16.0	500

導光柱 LIGHT PIPE



MATERIAL: PC(UL)
FLAME CLASS: 94V-2
COLOR: CLEAR

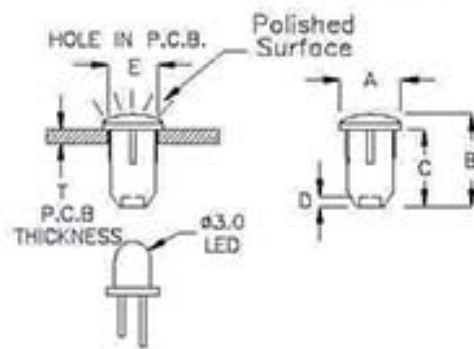


PART NO	A	B	C	PACKAGE
LEAD-26	29.7	26.2	16.0	500

導光柱 LIGHT PIPE



MATERIAL: PC(UL)
FLAME CLASS: 94V-0
COLOR: CLEAR

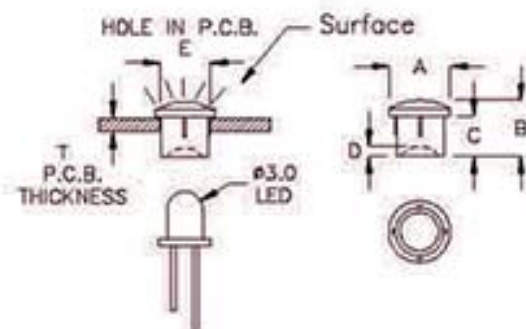


PART NO	A	B	C	D	E	T	PACKAGE
					HOLE IN P.C.B	P.C.B THICKNESS	
LEAD-7QS	5.0	7.7	6.4	0.8	3.9	≥2.0	2000

導光柱 LIGHT PIPE



MATERIAL: PC(UL)
FLAME CLASS: 94V-2
COLOR: CLEAR

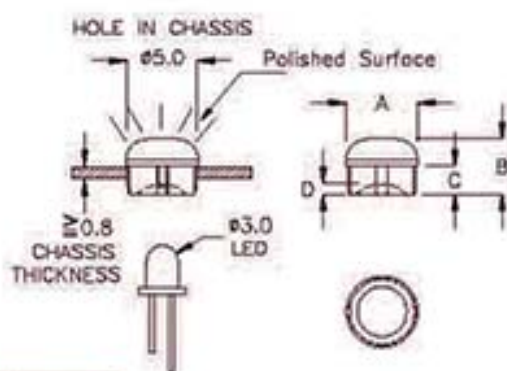


PART NO	A	B	C	D	E HOLE IN P.C.B.	T P.C.B. THICKNESS	Surface	PACKAGE
LEAD-2B	ø5.0	4.6	3.3	0.8	ø3.96	≥1.6	Matt	2000
LEAD-2BAM	ø5.0	4.6	3.25	0.8	ø3.96	≥1.6	Polished	
LEAD-4RK	ø3.8	3.95	2.95	0.4	ø3.1	≥1.4	Matt	

導光柱 LIGHT PIPE



MATERIAL: PC(UL)
FLAME CLASS: 94V-2
COLOR: CLEAR

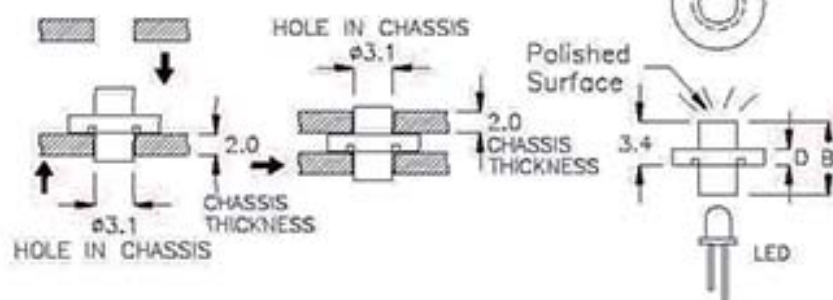


PART NO	A	B	C	D	PACKAGE
LEWD-04	ø5.25	4.0	2.0	0.75	2000

導光柱 LIGHT PIPE



MATERIAL: PC(UL)
FLAME CLASS: 94V-2
COLOR: CLEAR

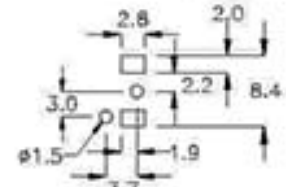
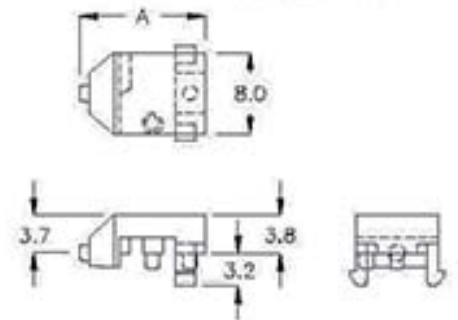
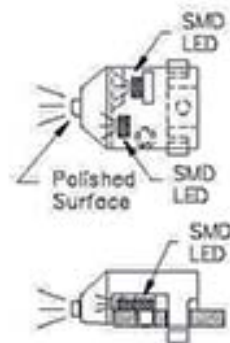


PART NO	A	B	C	D	PACKAGE
LEAD-5A	ø7.0	5.6	ø2.95	1.3	2000

導光柱 LIGHT PIPE



MATERIAL: PC(UL)
FLAME CLASS: 94V-2
COLOR: NATURAL



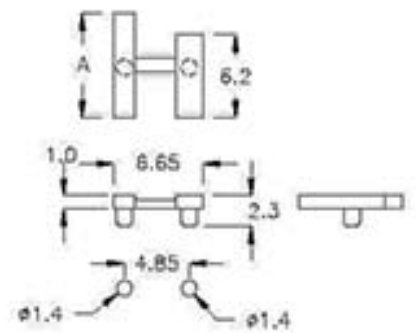
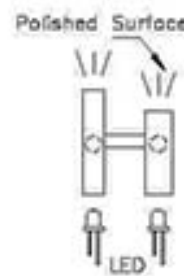
HOLE IN P.C.B
THICKNESS: 1.6mm

PART NO	A	P.C.B THICKNESS	PACKAGE
LESD-12K	12.4	1.6	1000

導光柱 LIGHT PIPE



MATERIAL: PC(UL)
FLAME CLASS: 94V-2
COLOR: NATURAL



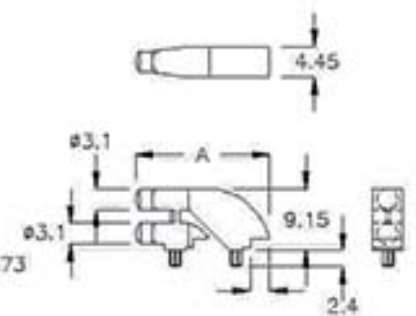
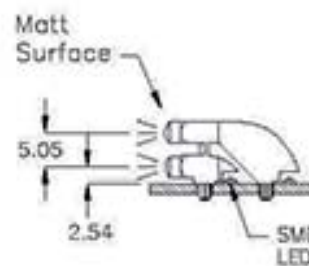
HOLE IN P.C.B

PART NO	A	P.C.B THICKNESS	PACKAGE
LETD-6K	7.75	1.6	2000

導光柱 LIGHT PIPE



MATERIAL: PC
FLAME CLASS: 94V-0
COLOR: CLEAR



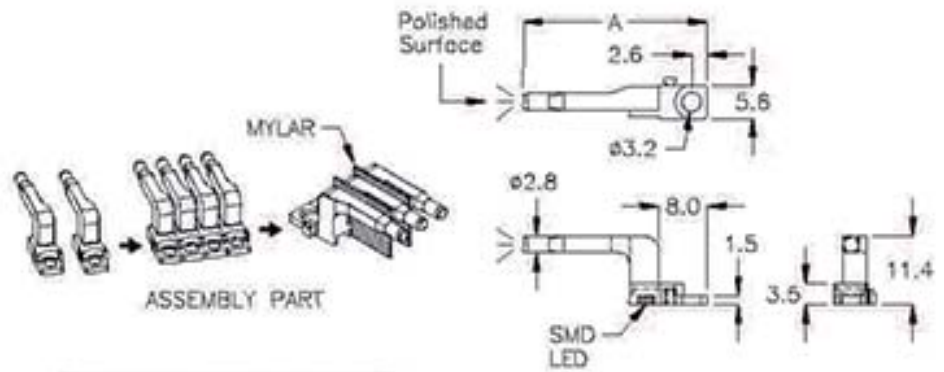
HOLE IN P.C.B

PART NO	A	P.C.B THICKNESS	PACKAGE
LEJD-19K	19.85	1.6	500

導光柱 LIGHT PIPE



MATERIAL: PC(UL)
FLAME CLASS: 94V-2
COLOR: CLEAR
WITH 3M SCREW

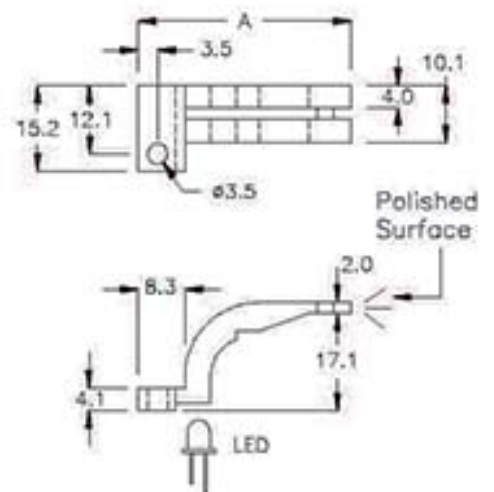


PART NO	A	PACKAGE
LEAD-29CT	30.5	500

導光柱 LIGHT PIPE



MATERIAL: PMMA
COLOR: CLEAR

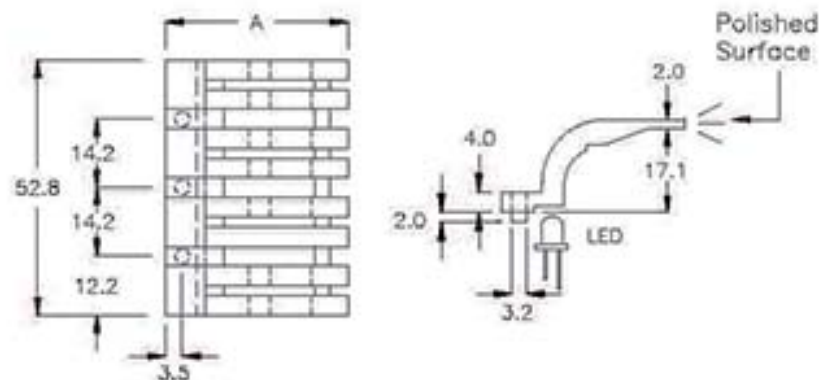


PART NO	A	PACKAGE
LEAD-2	37.5	500

導光柱 LIGHT PIPE



MATERIAL: PMMA
COLOR: CLEAR

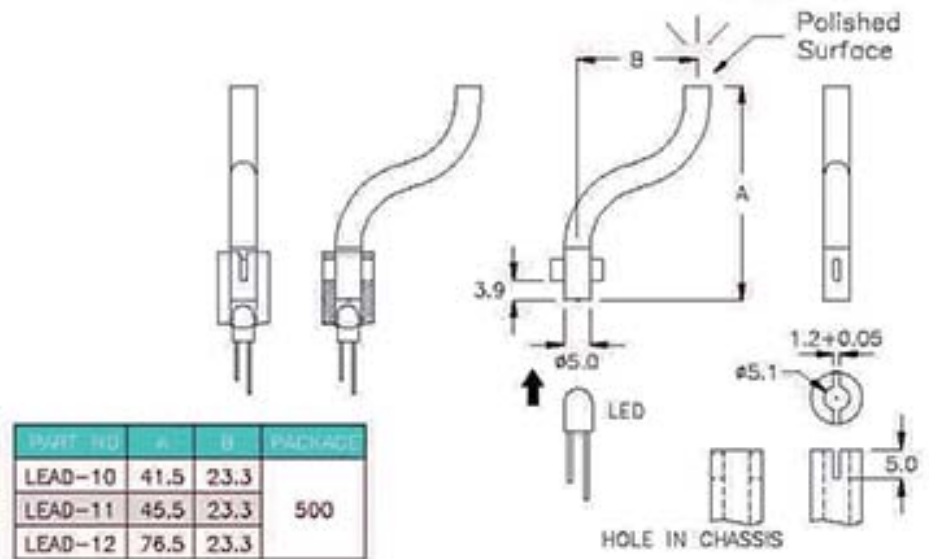


PART NO	A	PACKAGE
LEAD-8	37.5	100

導光柱 LIGHT PIPE



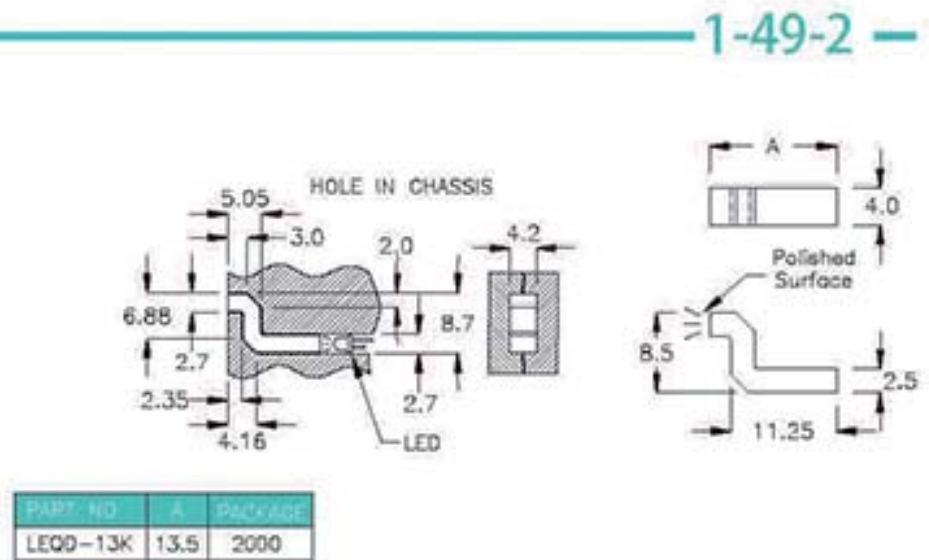
MATERIAL: PMMA
COLOR: CLEAR



導光柱 LIGHT PIPE



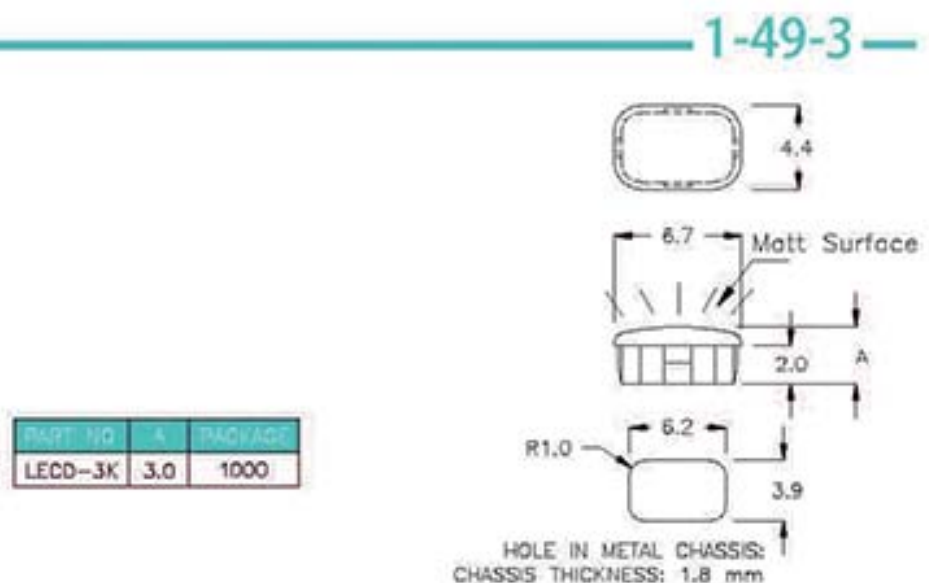
MATERIAL: PC(UL)
FLAME CLASS: 94V-2
COLOR: NATURAL



導光柱 LIGHT PIPE



MATERIAL: PC(UL)
FLAME CLASS: 94V-2
COLOR: CLEAR



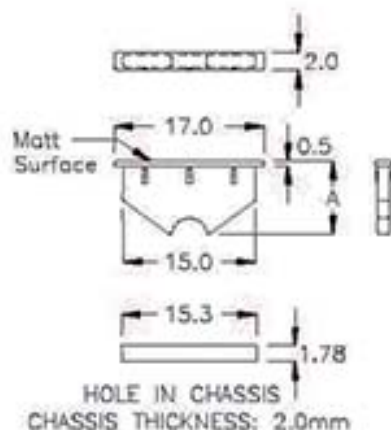
導光柱 LIGHT PIPE



MATERIAL: PC(UL)
FLAME CLASS: 94V-2
COLOR: NATURAL

NEW

PART NO	A	PACKAGE
★ LEWA-17C	8.2	1000



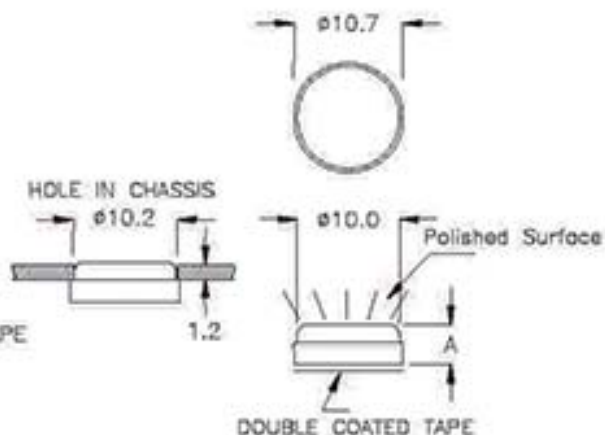
導光柱 LIGHT PIPE



MATERIAL: PMMA
COLOR: CLEAR
ADHESIVE TAPE:
3M or EQUIVALENT



PART NO	A	PACKAGE
LERD-3K	3.9	2000

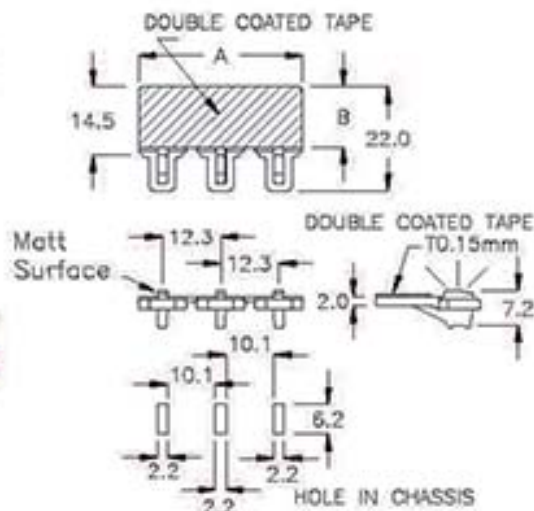


導光柱 LIGHT PIPE



MATERIAL: PC(UL)
FLAME CLASS: 94V-2
COLOR: NATURAL
ADHESIVE TAPE: 3M

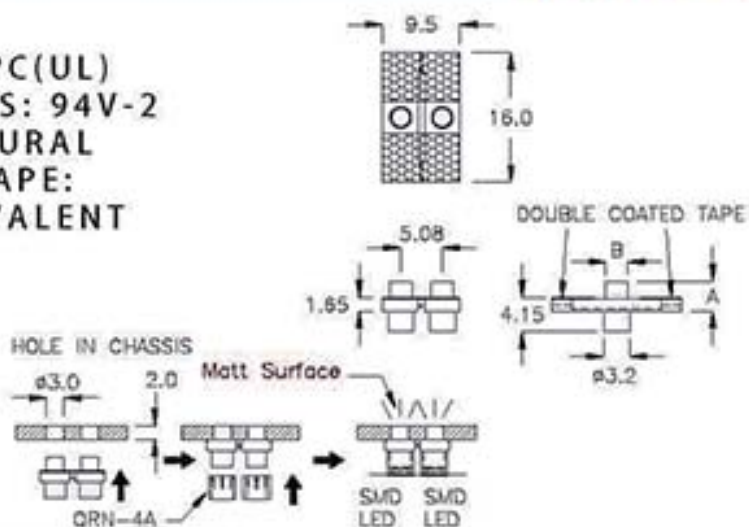
PART NO	A	B	PACKAGE
LEND-22A	34.6	12.8	200



導光柱 LIGHT PIPE



MATERIAL: PC(UL)
 FLAME CLASS: 94V-2
 COLOR: NATURAL
 ADHESIVE TAPE:
 3M or EQUIVALENT

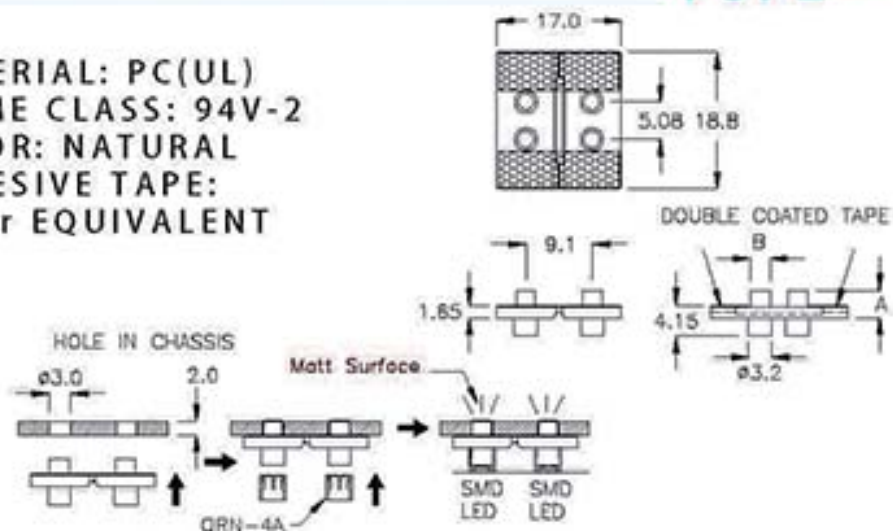


PART NO	A	B	PACKAGE
LEGD-2A	3.7	2x $\phi 2.7$	1000
LEGD-2KM	3.3	2x $\phi 2.7$	

導光柱 LIGHT PIPE

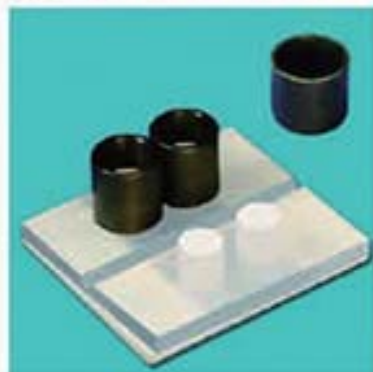


MATERIAL: PC(UL)
 FLAME CLASS: 94V-2
 COLOR: NATURAL
 ADHESIVE TAPE:
 3M or EQUIVALENT

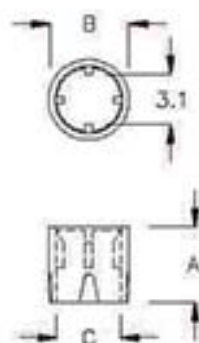


PART NO	A	B	PACKAGE
LEGD-4C	3.7	4x $\phi 2.7$	1000
LEGD-4QN	3.3	4x $\phi 2.7$	

遮光罩 LIGHT COVER



MATERIAL: NYLON 66(UL)
 FLAME CLASS: 94V-2
 COLOR: BLACK

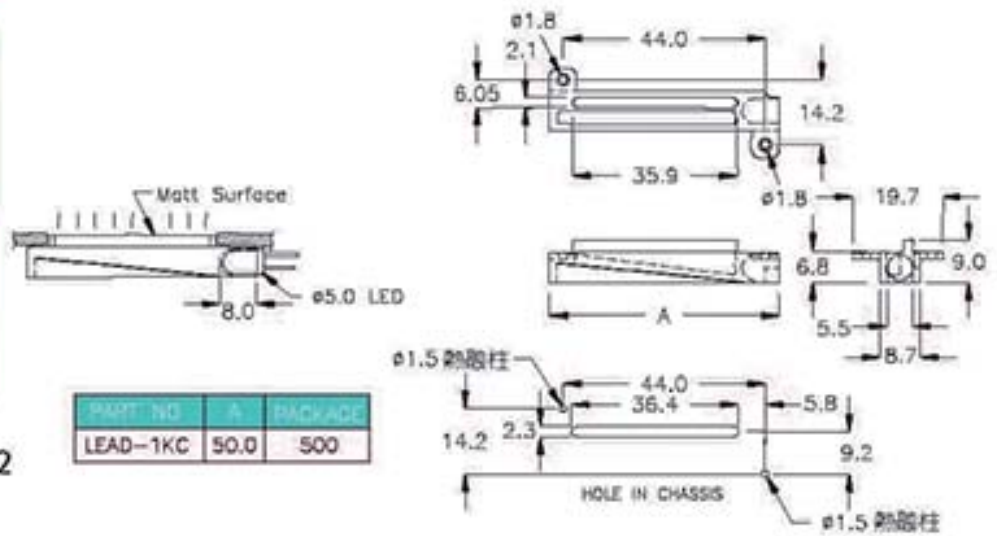


PART NO	A	B	C	PACKAGE
QNR-4A	4.7	$\phi 5.0$	$\phi 4.0$	2000

導光柱 LIGHT PIPE



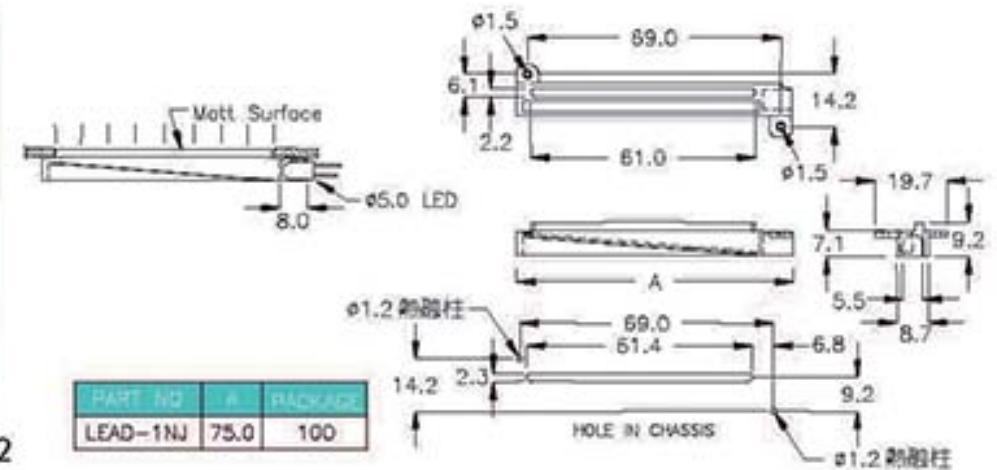
MATERIAL: PC(UL)
FLAME CLASS: 94V-2
COLOR: CLEAR



導光柱 LIGHT PIPE



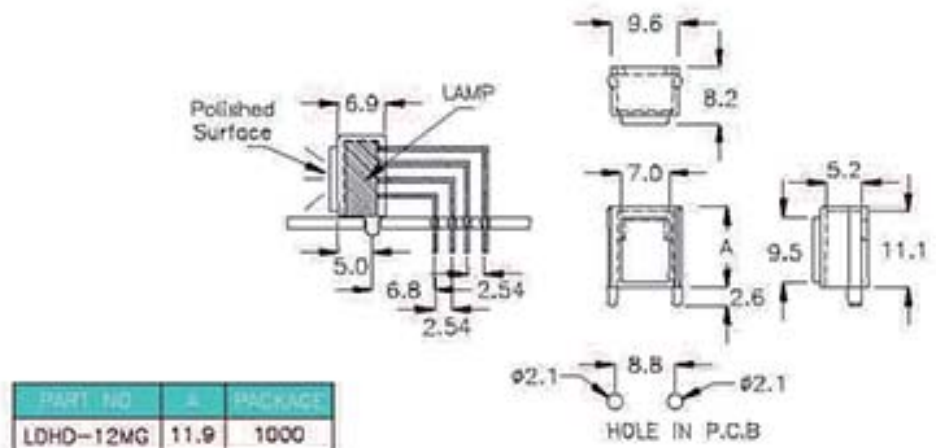
MATERIAL: PC(UL)
FLAME CLASS: 94V-2
COLOR: CLEAR



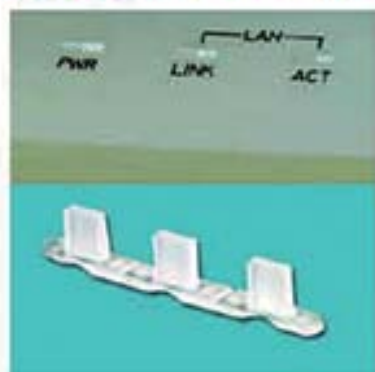
LED導光罩 LED CAP



MATERIAL: PC(UL)
FLAME CLASS: 94V-0
COLOR: NATURAL

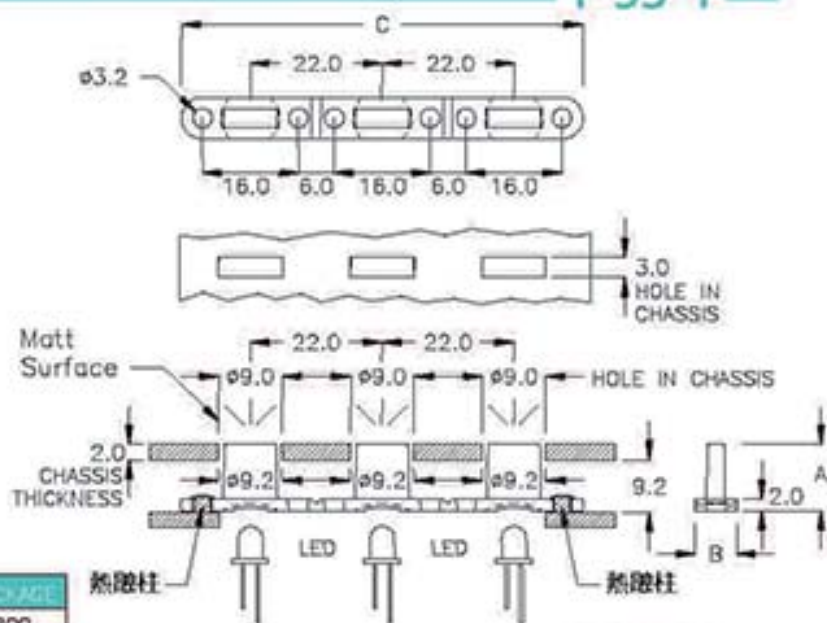


導光柱 LIGHT PIPE



MATERIAL: PC(UL)
FLAME CLASS: 94V-2
COLOR: NATURAL

PART NO	A	B	C	PACKAGE
LEXD-67D	11.2	7.0	67.0	200

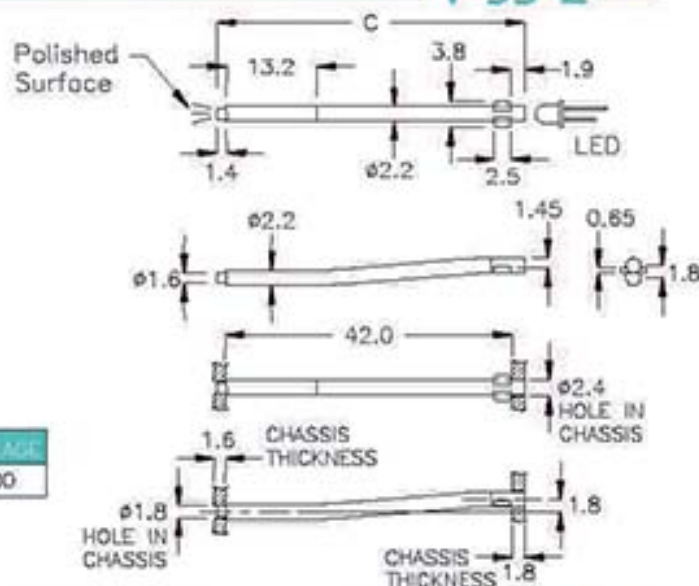


導光棒 LIGHT PIPE



MATERIAL: PC(UL)
FLAME CLASS: 94V-0
COLOR: CLEAR

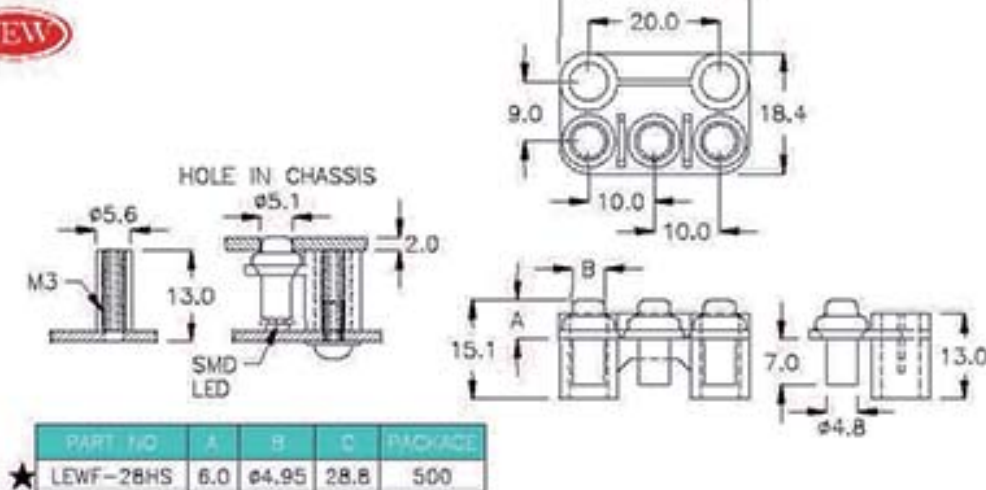
PART NO	C	PACKAGE
LDAD-45AT	44.9	2000



導光柱 LIGHT PIPE



MATERIAL: PC(UL)
FLAME CLASS: 94V-2
COLOR: CLEAR

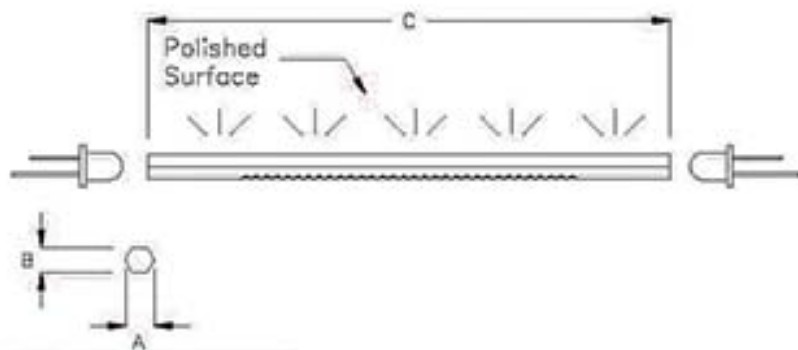


PART NO	A	B	C	PACKAGE
LEWF-28HS	6.0	4.95	28.8	500

導光柱 LIGHT PIPE



MATERIAL: PC(UL)
 FLAME CLASS: 94V-2
 COLOR: CLEAR



PART NO	A	B	C	PACKAGE
LEAD-50	2.75	2.38	113.0	500

塞環 ▶
HOLE PLUG



護線環
◀ SNAP BUSHING

線扣 ▶
BUSHING

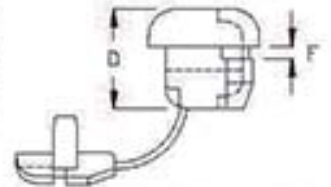
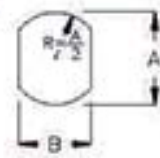




電源線扣 STRAIN RELIEF BUSHING

MATERIAL: NYLON 66(UL)
FLAME CLASS: 94V-2
COLOR: BLACK

HOLE IN CHASSIS



PG Cord Bushings are the easy and low-cost way to insulate and protect your AC Cards. Provide non-slip grip and will not damage the insulation of AC Cord.

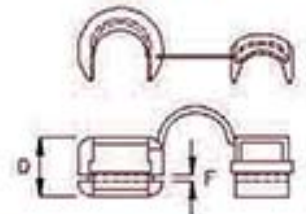
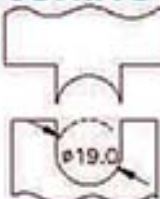
PART NO	SUITABLE CABLE TYPE & DIMENSIONS OF CHASSIS						D PART LENGTH	UL	PACKAGE
	CROSS SECTION SHAPE	WIRE ACCOMMODATED	SIZE	A	B TO PREVENT ROTATION	F MAXIMUM THICKNESS			
2RF-2	FLAT	SPT-1	2.8x5.3	9.6	8.7	3.2	10.3	UL	500
3RF-1	FLAT	SPT-2	3.0x5.6	11.1	9.9	2.6	10.3		
3RF-2	FLAT	SPT-2	3.0x5.6	11.1	10.1	1.6	10.3	UL	
4RF-4	FLAT	SPT-2	3.0x5.6	12.7	11.5	2.5	11.2	UL	
4RF-5	FLAT	SPT-2	3.8x7.6	12.7	11.8	1.6	10.6	UL	
4RF-6	FLAT	SPT-2	3.0x6.5	12.5	11.6	2.7	10.4	UL	
5R-2	ROUND	SV	7.6	12.7	11.5	1.6	11.2		
5R-4	ROUND	SV,SVT	6.4	12.7	11.5	1.6	11.3	UL	
5R-4A	ROUND	SV,SVT	6.4	12.7	11.5	2.5	11.0	UL	
5RF-4	FLAT	SPT-2	3.8x8.9	14.3	13.4	1.6	15.4	UL	200
5RF-4	FLAT	SPT-3	5.0x10.0	14.3					
6R-4	ROUND	SV	7.6	15.9	14.0	1.6	14.8	UL	
6R-6	ROUND	SJ,SJT	8.2	15.9	14.0	1.6	14.6	UL	
6R-6A	ROUND	SJ,SJT	8.2	15.9	14.0	3.2	14.6		
7R-2	ROUND	S,ST	9.2-10.5	19.0	16.8	1.6	19.0	UL	
7R-2	ROUND	S,ST	11.0	19.8					
7R-2A	ROUND	S,ST	9.2-10.5	19.0		3.2	19.0	UL	
7R-2A	ROUND	S,ST	11.0	19.8					
8R-2	ROUND	SJT	13.5-15.2	22.2	21.5	3.2	20.0	UL	
8R-2A	ROUND	SJT	13.5	23.0	22.0	2.0	19.9		
9R-2	ROUND	SJT	15.2-16.3	28.0	25.2	2.4	25.6		50
9R-2	ROUND	SJT	17.5	30.2	25.2	6.7	25.6		100
9R-2A	ROUND	SJT	15.5	28.0	25.2	2.4	14.3		
9R-2B	ROUND	SJT	18.2	28.0	25.2	2.4	23.8		50



電源線扣 STRAIN RELIEF BUSHING

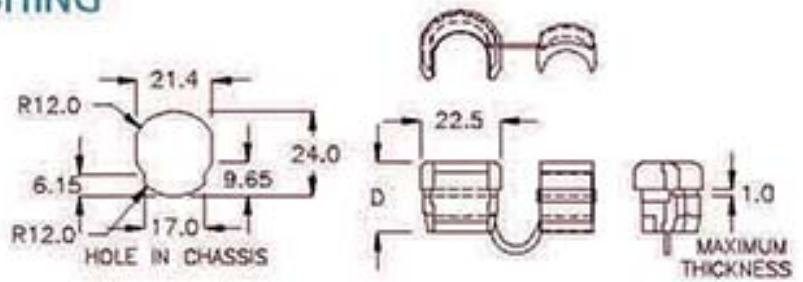
MATERIAL: NYLON 66(UL)
FLAME CLASS: 94V-2
COLOR: BLACK

HOLE IN CHASSIS



PART NO	SUITABLE CABLE TYPE & DIMENSIONS OF CHASSIS				D PART LENGTH	UL	PACKAGE
	CROSS SECTION SHAPE	WIRE ACCOMMODATED	SIZE	F MAXIMUM THICKNESS			
7R-7	ROUND	S.P.S	14.0	1.6	17.6	UL	100
7R-7B	ROUND	S.P.S	12.5	1.3	17.5		
7R-7C	ROUND	S.P.S	13.5	1.3	17.6		
7R-7E	ROUND	S.P.S	12.0	1.3	17.5		

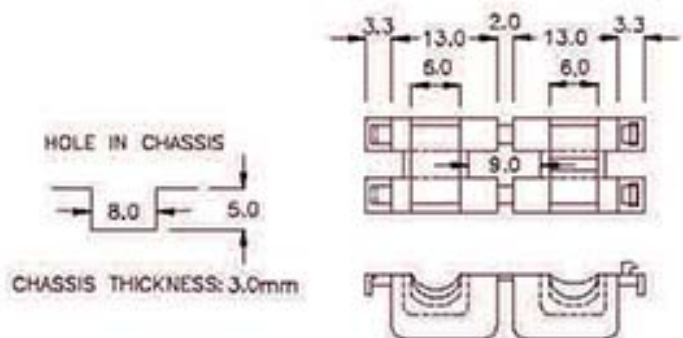
電源線扣 STRAIN RELIEF BUSHING



MATERIAL: NYLON 66(UL)
FLAME CLASS: 94V-2
COLOR: BLACK

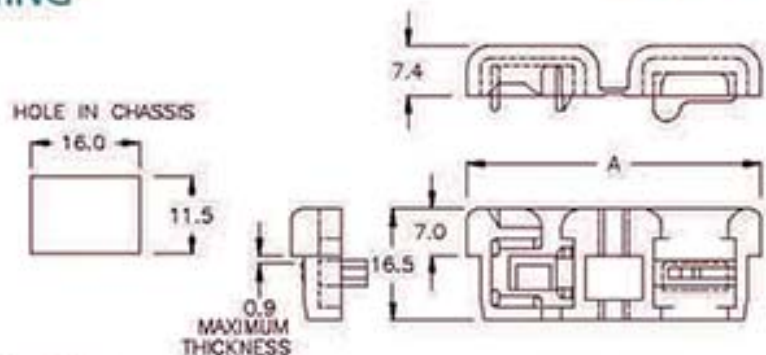
PART NO	D	WIPE ACCOMMODATED	PACKAGE
8R-20T	19.8	φ15.0	100

電源線扣 STRAIN RELIEF BUSHING (5R-1)



MATERIAL: NYLON 66(UL)
FLAME CLASS: 94V-2
COLOR: BLACK
PACKAGE: 200

電源線扣 STRAIN RELIEF BUSHING

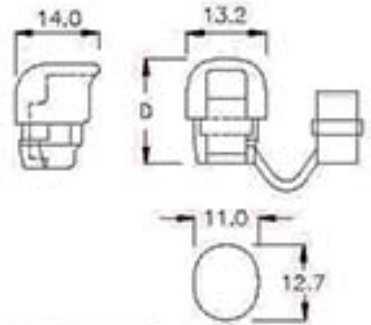


MATERIAL: NYLON 66(UL)
FLAME CLASS: 94V-2
COLOR: BLACK

 E88476

PART NO	A	WIPE ACCOMMODATED	UL	PACKAGE
5RF-5A	42.6	SPT-2	UL	200
5RF-5B	42.8	SPT-2	UL	
5RF-5D	42.8	SPT-2		

電源線扣 STRAIN RELIEF BUSHING

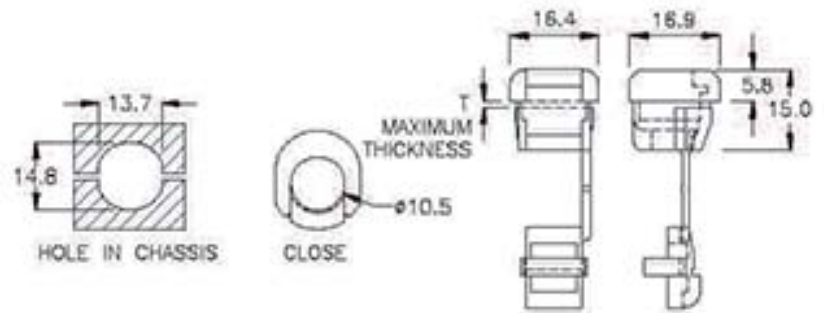


PART NO	WIRE ACCOMMODATED	MAXIMUM THICKNESS	Ø	UL	PACKAGE
5R-6	SPT-2(3x6.6)	2.5	17.6	UL	200
5R-7	SV(Ø6)	2.5	17.7	UL	

MATERIAL: NYLON 66(UL)
FLAME CLASS: 94V-2
COLOR: BLACK

HOLE IN CHASSIS

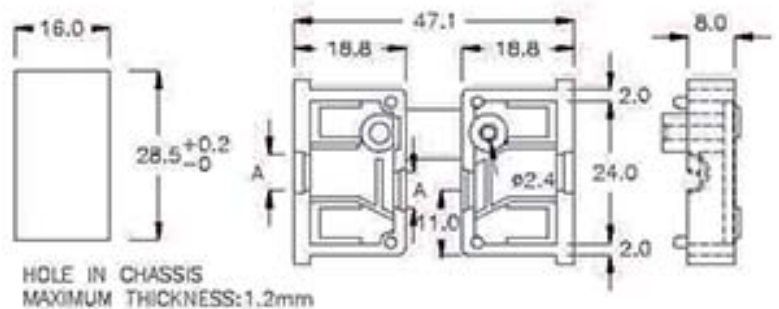
電源線扣 STRAIN RELIEF BUSHING



MATERIAL: NYLON 66(UL)
FLAME CLASS: 94V-2
COLOR: BLACK

PART NO	MAXIMUM THICKNESS-T	PACKAGE
7R-20	1.0	100

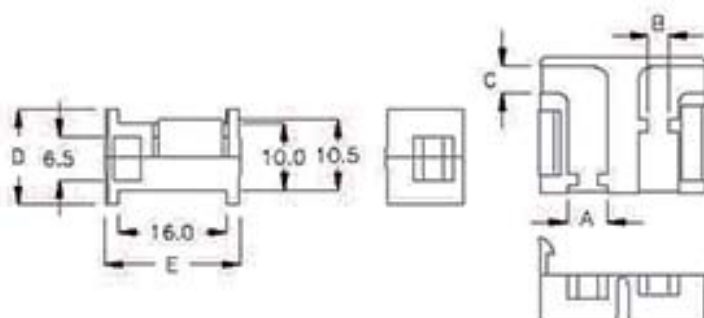
電源線扣 STRAIN RELIEF BUSHING



MATERIAL: NYLON 66(UL)
FLAME CLASS: 94V-2
COLOR: GRAY, BLACK

PART NO	A	PACKAGE
6R-9	Ø6.0	100
6R-09C	Ø8.5	200

電源線扣 STRAIN RELIEF BUSHING



MATERIAL: NYLON 66(UL)
FLAME CLASS: 94V-2
COLOR: BLACK

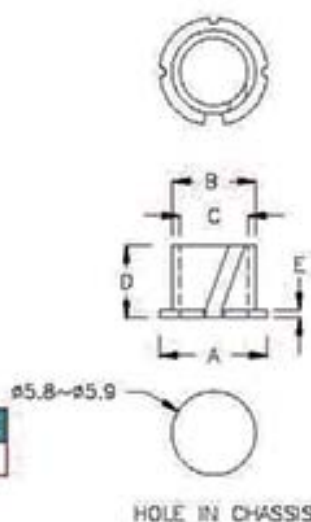
PART NO.	A	B	C	D	E	PACKAGE
2RF-25	6.0	3.2	4.0	14.0	20.0	500

保護座 PROTECT HOUSING

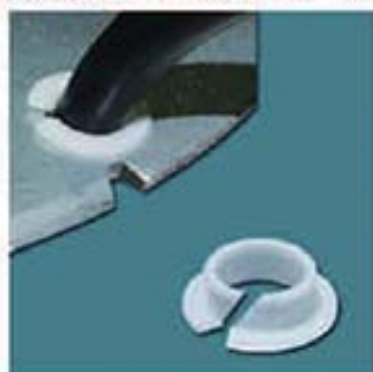


MATERIAL: NYLON 66(UL)
FLAME CLASS: 94V-2
COLOR: NATURAL

PART NO.	A	B	C	D	E	PACKAGE
SG-05	φ8.0	φ6.2	φ5.05	5.4	0.6	2000

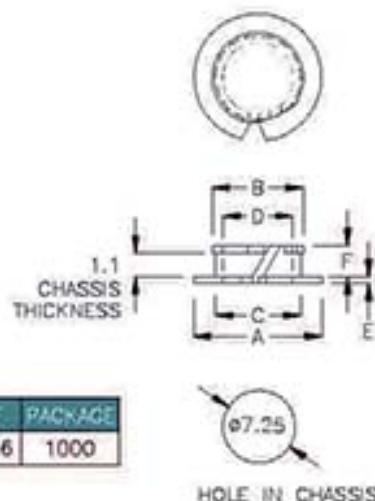


保護座 PROTECT HOUSING



MATERIAL: NYLON 66(UL)
FLAME CLASS: 94V-0
COLOR: NATURAL

PART NO.	A	B	C	D	E	F	PACKAGE
SG-0610A	φ11.0	φ7.8	φ7.3	φ6.0	0.6	2.6	1000

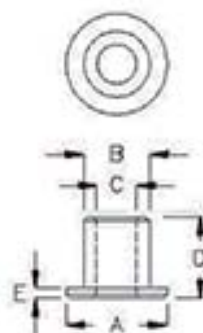


塞環 BUSHING



MATERIAL: POM
COLOR: BLACK

PART NO	A	B	C	D	E	PACKAGE
SLM-05	φ8.0	φ5.2	φ3.1	6.5	0.8	1000

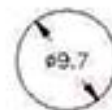
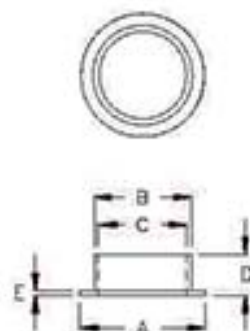


護線環 SNAP BUSHING



MATERIAL: NYLON 66(UL)
FLAME CLASS: 94V-2
COLOR: NATURAL

PART NO	A	B	C	D	E	PACKAGE
SL-0910	φ12.2	φ9.6	φ8.6	4.0	0.5	1000



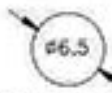
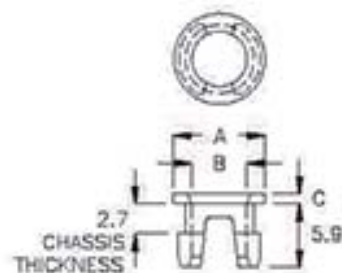
HOLE IN CHASSIS

護線環 SNAP BUSHING



MATERIAL: NYLON 66(UL)
FLAME CLASS: 94V-2
COLOR: BLACK

PART NO	A	B	C	PACKAGE
SBK-5A0	8.5	5.1	0.9	1000



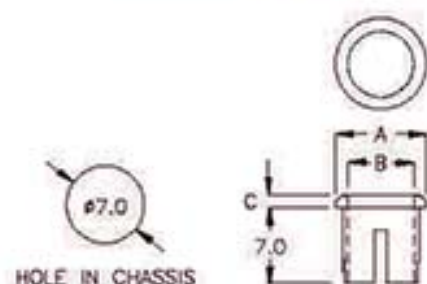
HOLE IN CHASSIS

護線環 SNAP BUSHING



MATERIAL: NYLON 66(UL)
FLAME CLASS: 94V-2
COLOR: NATURAL

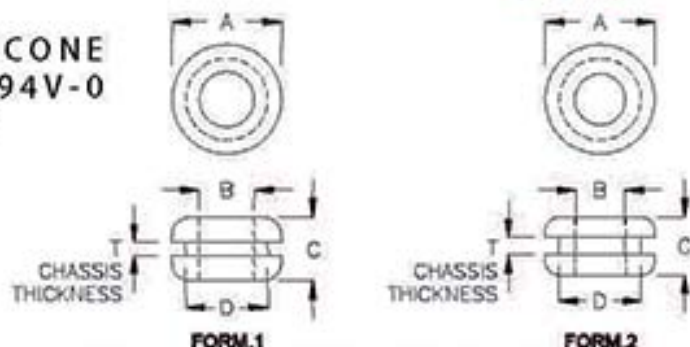
PART NO	A	B	C	PACKAGE
SBD-06	8.5	6.2	1.2	1000



護線環 SNAP BUSHING



MATERIAL: SILICONE
FLAME CLASS: 94V-0
COLOR: BLACK

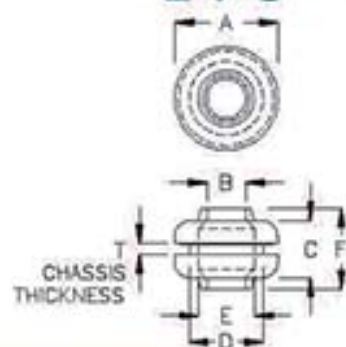


PART NO	A	B	C	D HOLE IN CHASSIS	T CHASSIS THICKNESS	FORM	PACKAGE
WSP-80N	8.8	4.4	5.7	φ6.8	1.6	2	1000
WSP-12F	12.0	6.1	7.0	φ9.0	1.3	1	
WSP-12AC	12.8	6.8	6.8	φ10.0	1.4	2	2000
WSP-16BK	16.0	5.4	8.5	φ12.0	2.4	2	1000
WSP-16C	16.0	7.1	8.5	φ12.0	2.4	2	
WSP-20K	20.0	8.2	8.5	φ16.0	2.4	2	500
WSP-20RY	20.0	6.8	8.5	φ16.0	2.4	2	

護線環 SNAP BUSHING



MATERIAL: SILICONE
FLAME CLASS: 94V-0
COLOR: BLACK

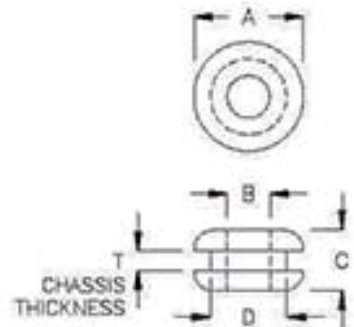


PART NO	A	B	C	E	F	D HOLE IN CHASSIS	T CHASSIS THICKNESS	PACKAGE
WSZ-9AC	9.4	3.1	5.7	4.8	8.5	φ7.0	1.6	1000
WSZ-12KM	12.6	4.8	7.0	6.8	9.8	φ8.9	1.6	
WSZ-13BR	13.9	5.3	6.9	7.3	9.7	φ10.4	1.6	
WSZ-14A	15.5	6.6	6.7	8.6	9.5	φ12.0	1.6	
WSZ-14DX	14.2	6.2	6.7	8.2	9.5	φ10.6	1.6	
WSZ-15OZ	15.5	6.9	6.9	8.9	9.7	φ12.0	1.6	
WSZ-16AM	16.0	7.4	6.9	9.4	9.7	φ12.5	1.6	

護線環 SNAP BUSHING



MATERIAL: SILICONE
COLOR: BLACK

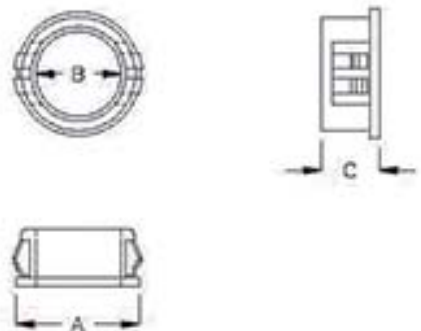


PART NO	A	B	C	Ø HOLE IN CHASSIS	T CHASSIS THICKNESS	PACKAGE
SB-0603	8.5	3.3	4.5	Ø5.3	1.4	2000
SB-0806	10.5	5.5	5.5	Ø7.5	1.4	1000
SB-1208	16.0	10.0	8.0	Ø12.0	3.0	

護線環 SNAP BUSHING



MATERIAL: NYLON 66(UL)
FLAME CLASS: 94V-2
COLOR: BLACK

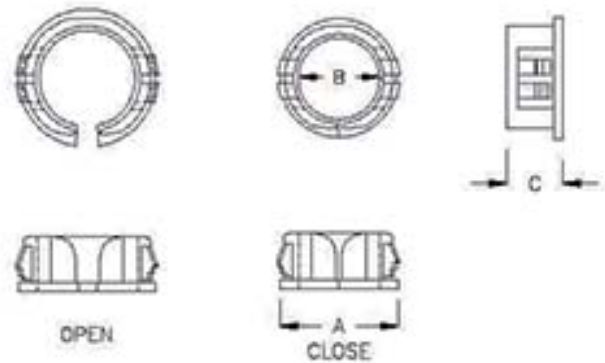


PART NO	CHASSIS THICKNESS	HOLE IN CHASSIS	A	B	C	UL	PACKAGE
SB-4757	3.6~6.4	Ø57.2	63.1	47.1	18.3		50
SB-3845	1.5~3.2	Ø44.5	47.7	35.3	11.6		100
SB-3338K	1.0~3.2	Ø38.1	40.9	33.3	11.5		200
SB-3338	6.4	Ø38.1	41.2	33.3	14.3		
SB-2634	1.0~2.8	Ø34.2	38.0	26.2	11.5	UL	100
SB-2530	1.0~3.1	Ø30.0	33.5	25.2	11.5		
SB-2428	1.0~3.3	Ø28.0	31.5	24.1	11.3		200
SB-1822	0.9~2.3	Ø22.0	24.8	18.2	11.5	UL	
SB-1519	1.0~3.0	Ø19.0	21.7	15.3	11.1	UL	
SB-1316	1.4~3.5	Ø16.0	18.0	12.8	10.4	UL	500
SB-1316K	0.8~1.8	Ø16.0	18.0	12.8	10.4		
SB-1013	0.8~3.0	Ø13.0	15.3	10.2	9.1	UL	1000
SB-0710	0.8~1.8	Ø10.0	12.1	7.2	6.6	UL	
SB-0305	1.6~1.7	Ø4.8	6.5	3.2	6.0		

開口式護線環 OPEN CLOSED BUSHING



MATERIAL: NYLON 66(UL)
FLAME CLASS: 94V-2
COLOR: BLACK

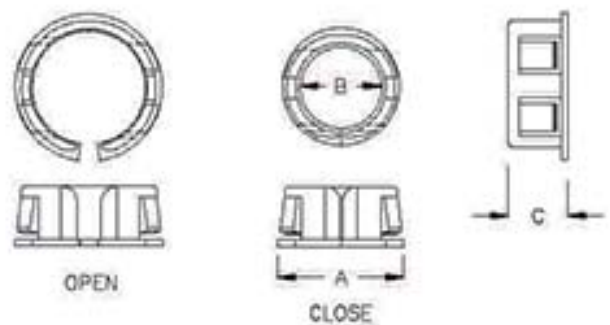


PART NO	CHASSIS THICKNESS	HOLE IN CHASSIS	A	B	C	UL	PACKAGE
SB-1822A	1.0~3.5	φ22.0	24.8	17.3	11.5	UL	200
SB-1922A	0.8~1.2	φ22.0	25.0	19.0	7.4		500
SB-1720A	0.8~1.0	φ20.0	23.5	17.0	7.2		
SB-1519A	1.2~3.3	φ19.0	20.6	14.4	11.0	UL	200
SB-1318A	1.2~3.5	φ16.0	18.0	10.5	10.5	UL	500
SB-1216A	0.7~3.3	φ16.0	18.6	12.3	10.0	UL	
SB-1013A	0.8~3.5	φ13.0	14.9	9.0	10.5	UL	
SB-0609A	0.7~1.7	φ9.5	11.4	6.6	6.5	UL	1000

開口式護線環 OPEN CLOSED BUSHING

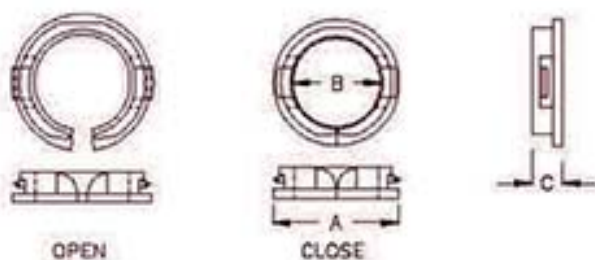


MATERIAL: NYLON 66(UL)
FLAME CLASS: 94V-2
COLOR: BLACK



PART NO	CHASSIS THICKNESS	HOLE IN CHASSIS	A	B	C	UL	PACKAGE
SB-2126A	0.8~1.2	φ25.4~25.6	28.0	21.1	8.0		500
SB-2024A	0.8~1.2	φ24.0	26.4	20.0	11.3	UL	
SB-2228A	0.8~1.2	φ27.8	28.8	22.0	9.0		200

開口式護線環 OPEN CLOSED BUSHING

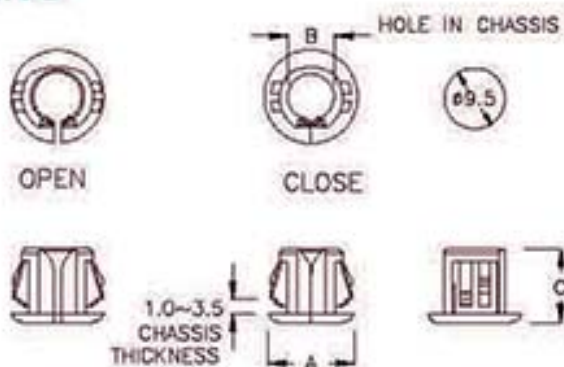


MATERIAL: NYLON 66(UL)
FLAME CLASS: 94V-2
COLOR: BLACK



PART NO	CHASSIS THICKNESS	HOLE IN CHASSIS	A	B	C	UL	PACKAGE
SA-2529A	0.4~1.1	φ29.0	32.6	25.0	7.0		200
SA-2327A	0.4~1.0	φ27.0~φ27.2	30.6	23.0	6.0		
SA-2024A	1.0~1.2	φ24.0	26.0	20.0	5.3		500
SA-2024A1	0.8~1.0	φ24.0	26.0	20.0	5.4		
SA-1822A	0.8~1.0	φ22.0	24.6	17.6	5.6	UL	
SA-1519A	0.8~1.0	φ19.0	21.8	14.9	5.7		
SA-13170	1.8~2.0	φ17.0	19.5	13.5	5.9		
SA-1316A	1.0~1.4	φ16.0	18.4	12.5	5.4	UL	
SA-1013A	1.0~1.5	φ13.0	15.5	9.6	5.4		1000
SA-1013C	1.9~2.0	φ13.0	15.5	9.6	5.9		
SA-0407A	0.7~0.9	φ6.8~φ7.0	9.8	4.8	5.0	UL	
SA-0204K	0.7~0.9	φ4.5	5.1	2.8	5.0		

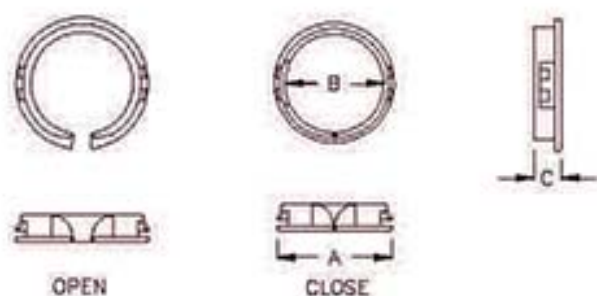
開口式護線環 OPEN CLOSED BUSHING



MATERIAL: NYLON 66(UL)
FLAME CLASS: 94V-2
COLOR: BLACK

PART NO	HOLE IN CHASSIS	CHASSIS THICKNESS	A	B	C	PACKAGE
SB-0609C	φ9.5	1.0~3.5	11.8	6.1	9.8	1000

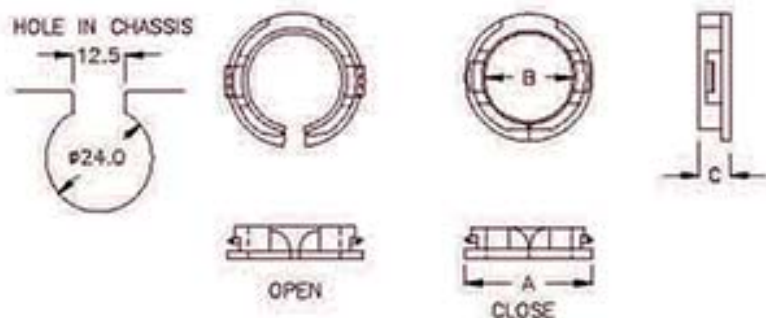
開口式護線環 OPEN CLOSED BUSHING



MATERIAL: NYLON 66(UL)
FLAME CLASS: 94V-2
COLOR: BLACK

PART NO	CHASSIS THICKNESS	HOLE IN CHASSIS	A	B	C	PACKAGE
SY-2832A	0.8~1.4	ø32.0	35.1	28.2	6.7	200

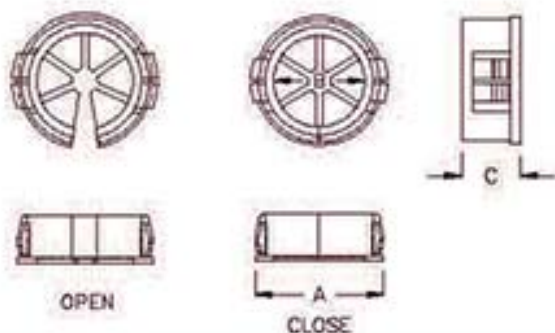
開口式護線環 OPEN CLOSED BUSHING



MATERIAL: NYLON 66(UL)
FLAME CLASS: 94V-2
COLOR: BLACK

PART NO	MAXIMUM THICKNESS	A	B	C	PACKAGE
SA-2024C	0.8~1.1	26.0	20.0	5.3	500

開口式護線環 OPEN CLOSED BUSHING



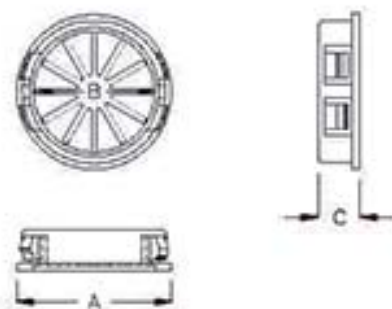
MATERIAL: NYLON 66(UL)
FLAME CLASS: 94V-2
COLOR: BLACK

PART NO	MAXIMUM THICKNESS	HOLE IN CHASSIS	A	B	C	PACKAGE
SC-2128A	0.8~3.0	ø27.8~ø28.0	29.5	20.7	11.5	200
SC-1926A	0.8~3.0	ø25.4~ø25.5	27.0	19.0	11.5	
SC-1926C	0.8~1.0	ø25.4~ø25.5	27.0	19.0	5.3	500
SC-1422A	0.8~3.0	ø22.2~ø22.4	23.8	14.6	11.5	
SC-1319A	0.8~3.0	ø19.0~ø19.1	21.8	14.1	9.9	

護線環 SNAP BUSHING



MATERIAL: NYLON 66(UL)
FLAME CLASS: 94V-2
COLOR: BLACK

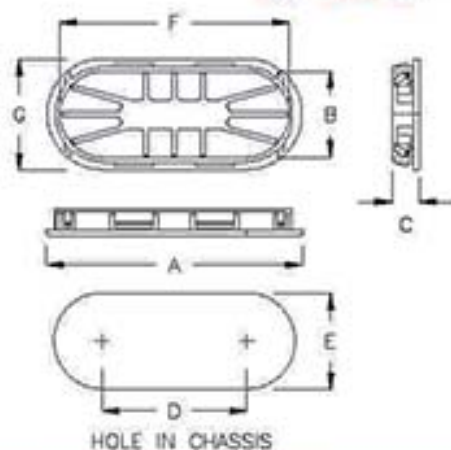


PART NO	CHASSIS THICKNESS	HOLE IN CHASSIS	A	B	C	PACKAGE
SS-3238	1.2~3.2	ø38.1~ø38.2	41.0	32.0	11.0	200

護線環 SNAP BUSHING



MATERIAL: NYLON 66(UL)
FLAME CLASS: 94V-2
COLOR: BLACK

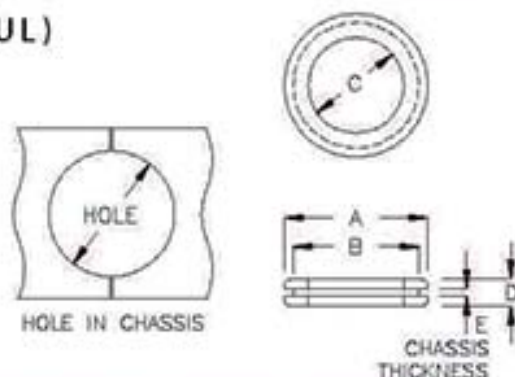


PART NO	CHASSIS THICKNESS	A	B	C	D	E	C	F	PACKAGE
SSK-7175	1.2	79.4	26.7	8.5	45.0	30.0	34.7	71.4	100
SSK-106110	1.2	115.4	46.7	8.5	60.0	50.0	55.7	106.4	

護線環 SNAP BUSHING



MATERIAL: NYLON 66(UL)
FLAME CLASS: 94V-2
COLOR: BLACK



PART NO	HOLE IN CHASSIS	A	B	C	D	E	CHASSIS THICKNESS	PACKAGE
SB-2114	ø18.0	ø21.2	ø18.0	ø14.1	4.0	1.0		1000

開口式護線環 OPEN CLOSED BUSHING



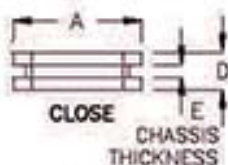
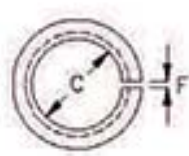
MATERIAL: NYLON 66(UL)
FLAME CLASS: 94V-2
COLOR: BLACK



HOLE IN CHASSIS



OPEN



CHASSIS THICKNESS

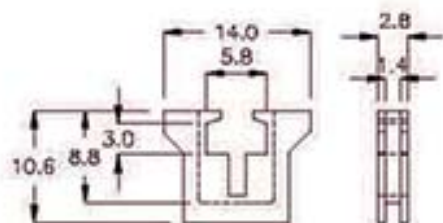
PART NO	HOLE IN CHASSIS	A	C	D	E CHASSIS THICKNESS	F	PACKAGE
SB-1223A	φ19.0	22.0	11.9	4.8	1.1	1.2~2.3	500
SB-1318A	φ14.8	18.0	12.8	6.1	2.2	0.7~1.3	
SB-1420A	φ16.0	18.9	13.6	3.65	1.5	0.3~0.8	

方型護線環 EDGE SADDLE (DS-7)



MATERIAL: NYLON 66(UL)
FLAME CLASS: 94V-2
COLOR: NATURAL
PACKAGE: 1000

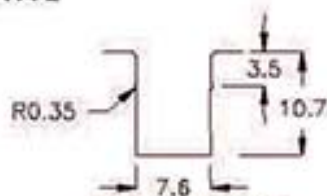
MAXIMUM THICKNESS: 1.4mm



方型護線環 EDGE SADDLE

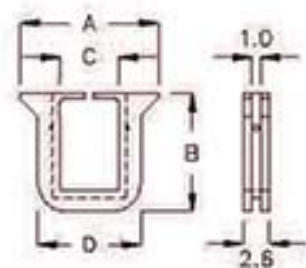


MATERIAL: NYLON 66(UL)
FLAME CLASS: 94V-2
COLOR: NATURAL



HOLE IN CHASSIS

MAXIMUM THICKNESS: 0.9mm

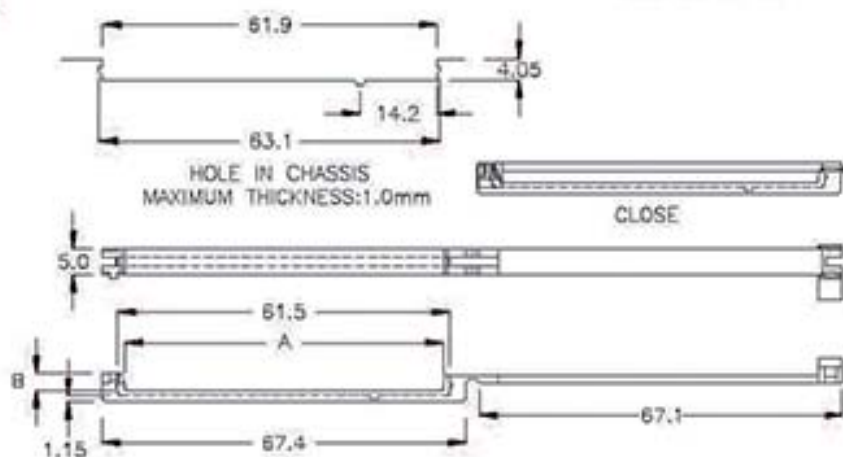


PART NO	A	B	C	D	PACKAGE
DS-8	14.0	12.0	6.0	10.4	2000

方型護線環 EDGE SADDLE



MATERIAL: NYLON 66(UL)
FLAME CLASS: 94V-2
COLOR: BLACK

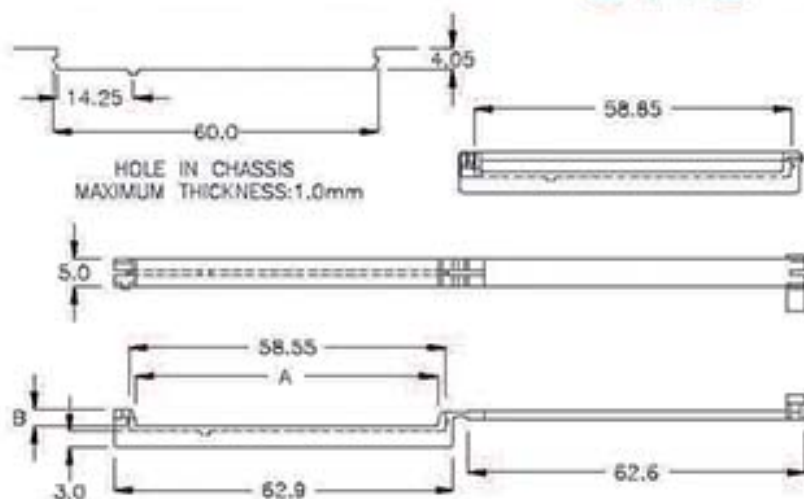


PART NO	A	B	PACKAGE
DDS-02	59.0	3.1	200

方型護線環 EDGE SADDLE



MATERIAL: NYLON 66(UL)
FLAME CLASS: 94V-2
COLOR: BLACK

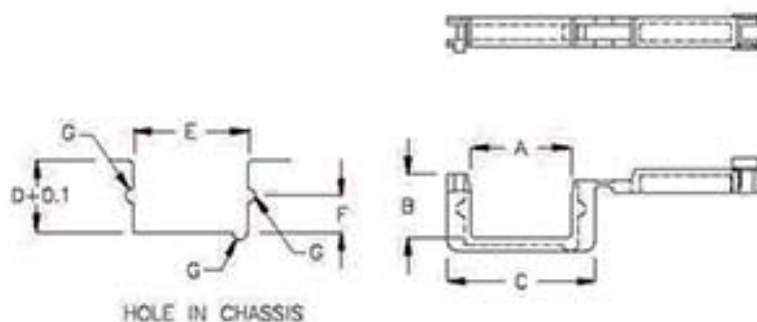


PART NO	A	B	PACKAGE
DDS-03	56.0	3.1	200

方型護線環 EDGE SADDLE



MATERIAL: NYLON 66(UL)
FLAME CLASS: 94V-2
COLOR: BLACK

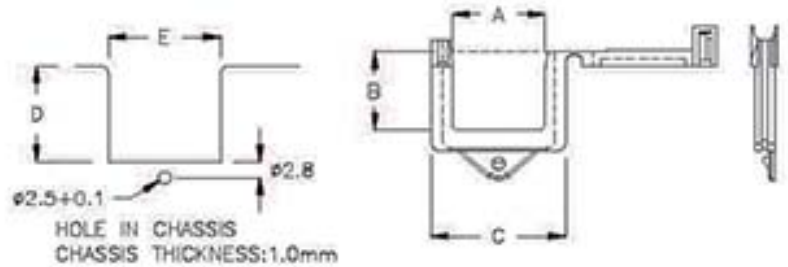


PART NO	A	B	C	D	E	F	G	MAXIMUM THICKNESS	PACKAGE
DDS-01	17.4	11.2	25.8	12.6	20.0	6.3	R1.4	2.1	500
DDS-06	28.0	6.6	36.6	9.0	31.0	3.3	R1.35	2.0	200

方型護線環 EDGE SADDLE



MATERIAL: NYLON 66(UL)
FLAME CLASS: 94V-2
COLOR: BLACK

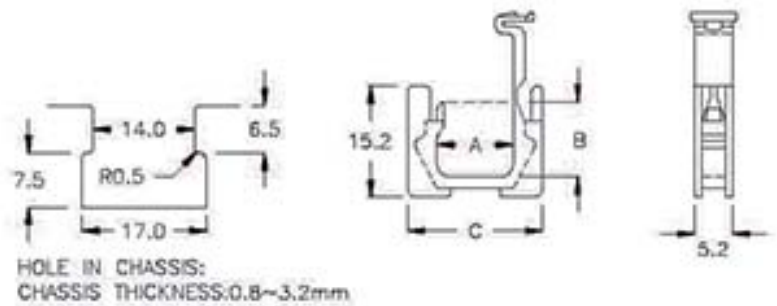


PART NO.	A	B	C	D	E	PACKAGE
DDS-17	17.0	14.4	24.6	21.0	21.0	200
DDS-22	22.4	21.3	30.6	29.0	27.1	

方型護線環 EDGE SADDLE



MATERIAL: NYLON 66(UL)
FLAME CLASS: 94V-2
COLOR: NATURAL

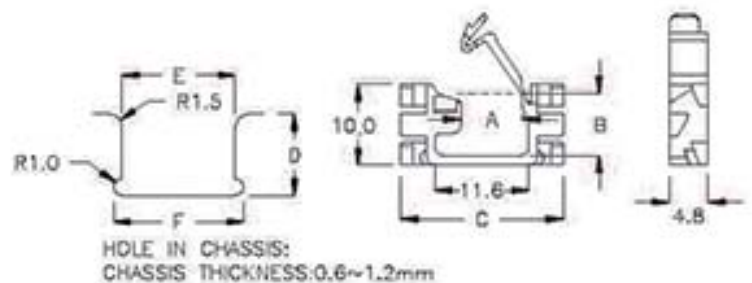


PART NO.	A	B	C	PACKAGE
DSF-10A	10.5	10.8	18.5	500

方型護線環 EDGE SADDLE



MATERIAL: NYLON 66(UL)
FLAME CLASS: 94V-2
COLOR: NATURAL

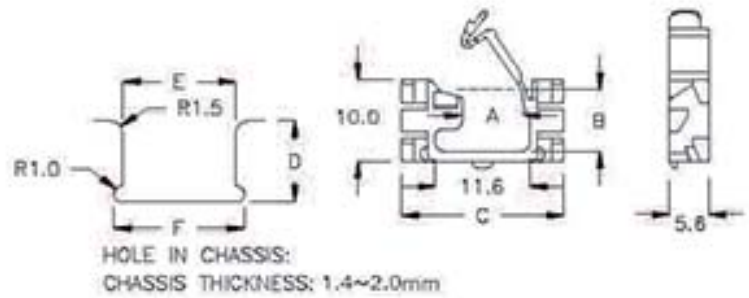


PART NO.	A	B	C	D	E	F	PACKAGE
DSW-11A	7.6	7.7	20.0	10.0	14.0	16.0	1000

方型護線環 EDGE SADDLE



MATERIAL: NYLON 66(UL)
FLAME CLASS: 94V-2
COLOR: NATURAL

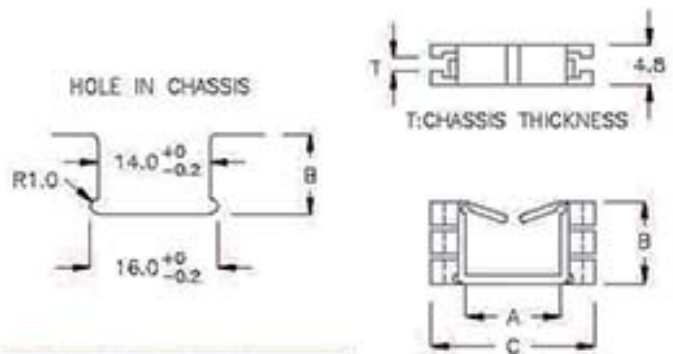


PART NO	A	B	C	D	E	F	PACKAGE
DSW-11MQ	7.6	7.7	20.0	10.0	14.0	16.0	1000

方型護線環 EDGE SADDLE



MATERIAL: NYLON 66(UL)
FLAME CLASS: 94V-2
COLOR: BLACK

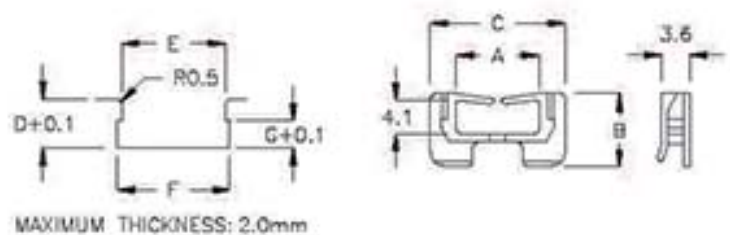


PART NO	A	B	C	T	PACKAGE
DS-1	12.0	10.0	20.2	0.9	1000
DS-3	12.0	10.0	20.2	1.9	

方型護線環 EDGE SADDLE

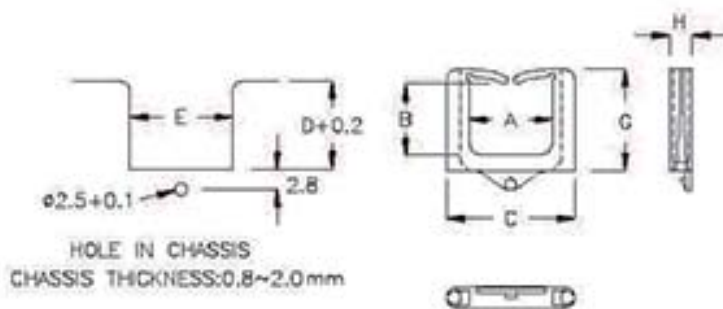


MATERIAL: NYLON 66(UL)
FLAME CLASS: 94V-0
COLOR: NATURAL



PART NO	A	B	C	D	E	F	G	PACKAGE
DS-02S	5.2	8.5	11.5	6.1	8.1	9.1	3.6	2000
DS-2	10.2	9.1	16.9	6.1	12.8	13.8	3.4	1000

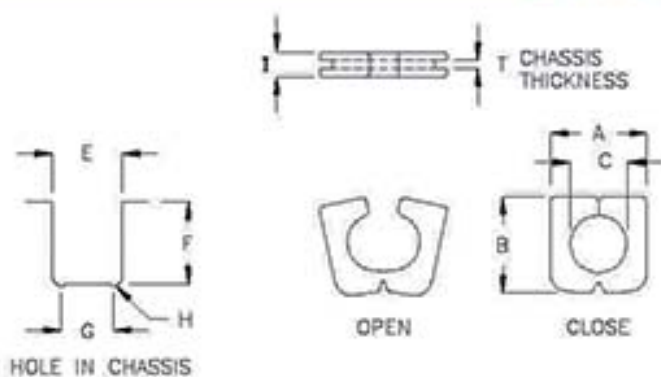
方型護線環 EDGE SADDLE



MATERIAL: NYLON 66(UL)
FLAME CLASS: 94V-2
COLOR: NATURAL

PART NO.	A	B	C	D	E	G	H	PACKAGE
DS-11A	11.5	6.3	25.0	12.5	13.6 ^{+0.1}	12.5	7.1	1000
DS-12	11.5	7.3	19.8	12.3	14.0 ^{+0.1}	12.2	4.5	
DS-16	17.0	14.6	26.0	21.0	21.0 ^{+0.1}	21.1	4.5	500
DS-23	22.8	22.4	33.3	29.0	27.0 ^{+0.1}	29.0	4.5	

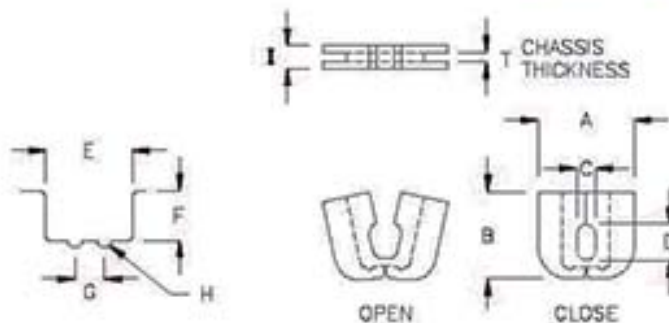
方型護線環 EDGE SADDLE



MATERIAL: NYLON 66(UL)
FLAME CLASS: 94V-2
COLOR: NATURAL, BLACK

PART NO.	A	B	C	E	F	G	H	I	T CHASSIS THICKNESS	PACKAGE
DS-4RT	11.0	10.9	∅6.6	8.0	9.5	8.0	R0.4	2.9	0.7~0.8	1000

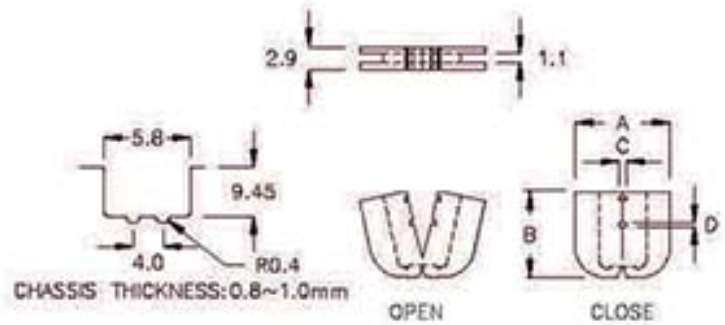
方型護線環 EDGE SADDLE



MATERIAL: NYLON 66(UL)
FLAME CLASS: 94V-2
COLOR: NATURAL, BLACK

PART NO.	A	B	C	D	E	F	G	H	I	T CHASSIS THICKNESS	PACKAGE
DS-04K	12.0	10.9	2.3	4.55	6.05	9.45	4.0	R0.4	2.9	0.8~1.0	1000
DS-4WY	12.5	11.5	2.4	4.8	7.2	10.3	4.35	R0.3	2.5	0.5~0.6	
DS-4KJ	12.0	10.9	2.6	5.2	6.05	9.45	4.0	R0.4	2.9	0.8~1.0	

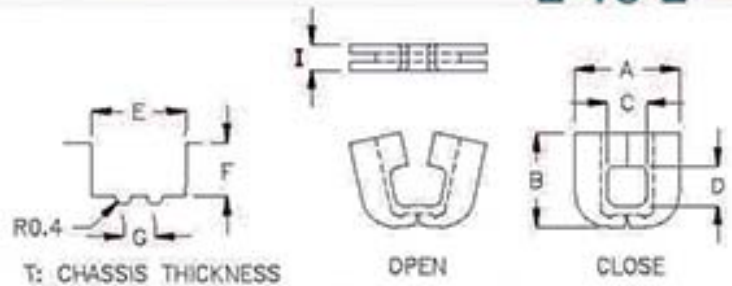
方型護線環 EDGE SADDLE



MATERIAL: NYLON 66(UL)
FLAME CLASS: 94V-2
COLOR: NATURAL, BLACK

PART NO	A	B	C	D	PACKAGE
DS-04P	12.0	10.9	1.0	0.5	1000

方型護線環 EDGE SADDLE



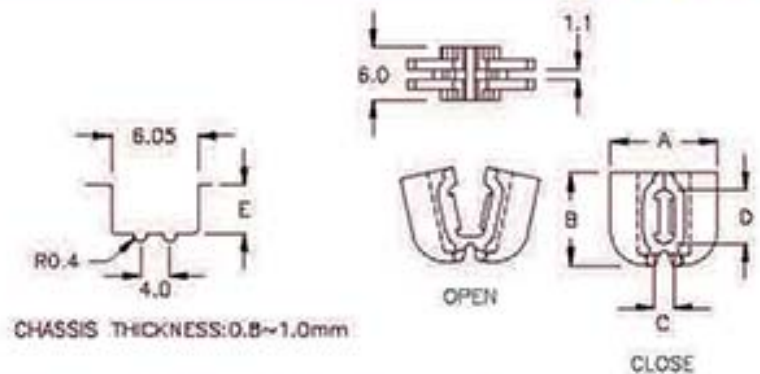
MATERIAL: NYLON 66(UL)
FLAME CLASS: 94V-2
COLOR: NATURAL

★

★

PART NO	A	B	C	D	E	F	G	I	T CHASSIS THICKNESS	PACKAGE
DS-04Q	12.0	10.9	4.6	4.6	5.9	9.45	4.0	2.9	0.8~1.0	1000
DS-04F	12.0	10.9	4.6	7.0	6.0	9.45	4.0	2.9	0.8~1.0	
DS-04R	12.0	10.9	6.5	7.0	8.0	9.5	6.0	2.9	0.8~1.0	
DS-4YL	12.0	10.9	3.0	6.0	5.9	9.7	4.0	2.9	0.8~1.0	
DS-4FA	12.0	10.9	4.5	7.0	6.1	9.45	4.0	2.9	0.4~0.6	
DS-4GL	13.3	10.9	6.9	7.0	8.3	9.5	6.3	3.0	0.6~0.8	
DS-06	14.6	8.8	7.0	4.6	8.3	7.4	6.4	2.9	0.8~1.0	
DS-4FR	16.0	10.9	2.65	5.3	9.9	9.7	8.0	2.9	0.8~1.0	

方型護線環 EDGE SADDLE



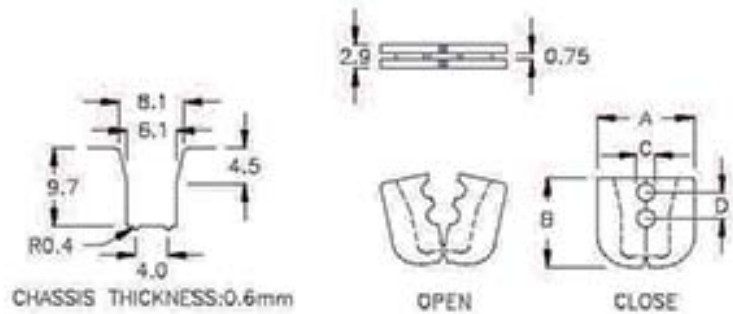
MATERIAL: NYLON 66(UL)
FLAME CLASS: 94V-2
COLOR: NATURAL, BLACK

PART NO	A	B	C	D	E	PACKAGE
DS-04H	12.0	10.4	2.3	6.0	9.45	1000
DS-04J	12.0	10.4	4.6	4.6	9.45	
DS-04L	12.0	10.4	2.3	4.7	9.45	

方型護線環 EDGE SADDLE



MATERIAL: NYLON 66(UL)
FLAME CLASS: 94V-2
COLOR: BLACK

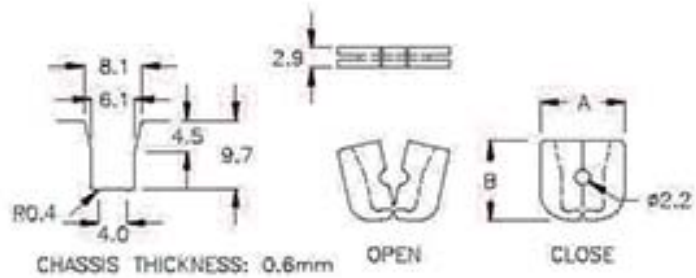


PART NO	A	B	C	D	PACKAGE
DS-4AD	12.0	11.1	∅2.2	3.2	1000

方型護線環 EDGE SADDLE



MATERIAL: NYLON 66(UL)
FLAME CLASS: 94V-2
COLOR: NATURAL, BLACK

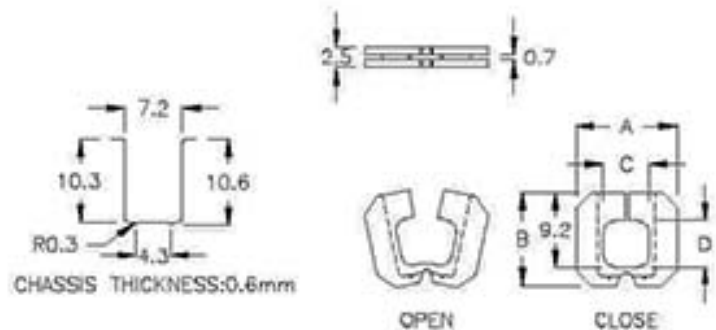


PART NO	A	B	PACKAGE
DS-4MP	12.0	11.1	1000

方型護線環 EDGE SADDLE

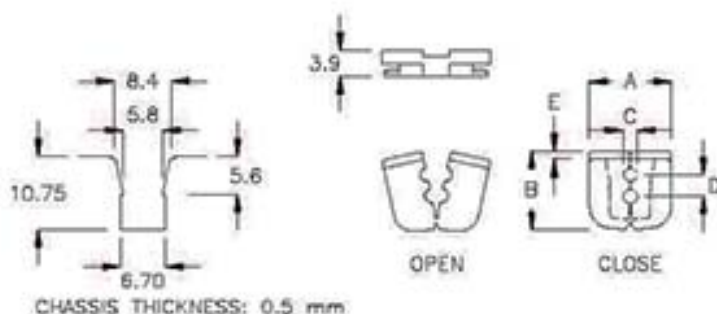


MATERIAL: NYLON 66(UL)
FLAME CLASS: 94V-2
COLOR: BLACK



PART NO	A	B	C	D	PACKAGE
DS-4CF	12.5	11.5	4.3	6.5	1000
DS-4DG	12.5	11.5	4.3	4.3	
DS-4HQ	12.5	11.5	4.3	2.15	

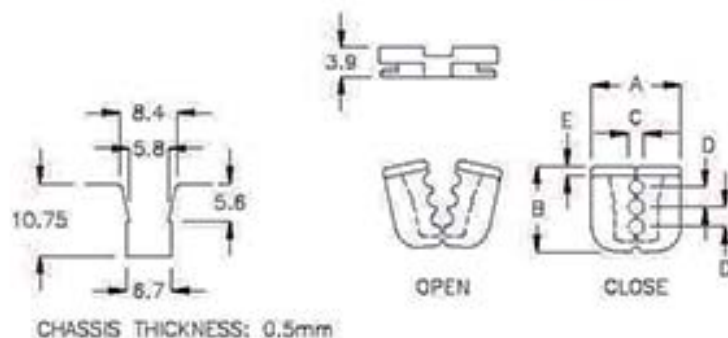
方型護線環 EDGE SADDLE



MATERIAL: NYLON 66(UL)
FLAME CLASS: 94V-2
COLOR: NATURAL, BLACK

PART NO	A	B	C	D	E	PACKAGE
DSH-12K	12.2	11.55	ø2.1	3.2	1.2	1000

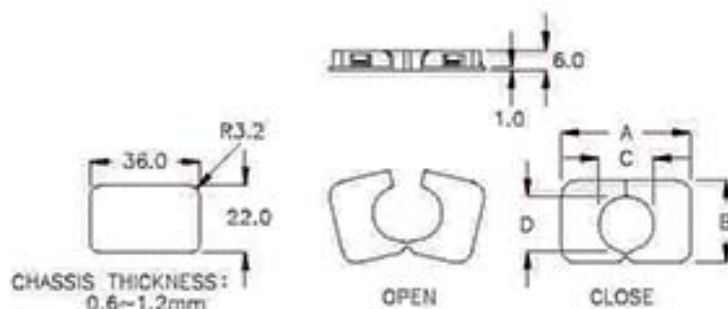
方型護線環 EDGE SADDLE



MATERIAL: NYLON 66(UL)
FLAME CLASS: 94V-2
COLOR: NATURAL, BLACK

PART NO	A	B	C	D	E	PACKAGE
DSH-12HM	12.2	11.55	ø2.1	2.6	1.2	1000

方型護線環 EDGE SADDLE



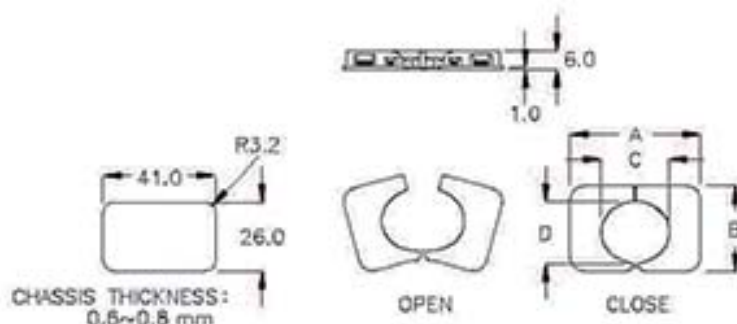
MATERIAL: NYLON 66(UL)
FLAME CLASS: 94V-2
COLOR: BLACK

PART NO	A	B	C	D	PACKAGE
SAD-16	37.8	24.0	16.0	16.0	200

方型護線環 EDGE SADDLE



MATERIAL: NYLON 66(UL)
FLAME CLASS: 94V-2
COLOR: BLACK

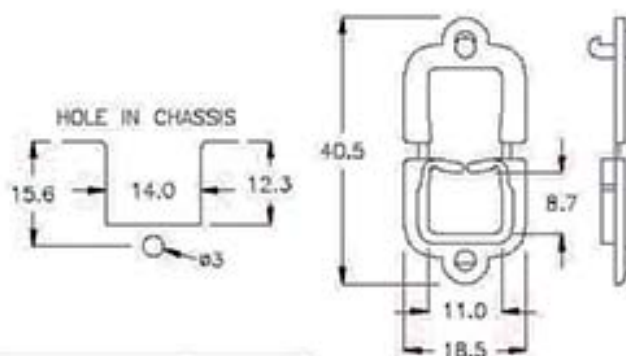


PART NO	A	B	C	D	PACKAGE
SAQ-20A	42.8	28.0	22.0	20.0	200

方型護線環 EDGE SADDLE



MATERIAL: NYLON 66(UL)
FLAME CLASS: 94V-2
COLOR: BLACK

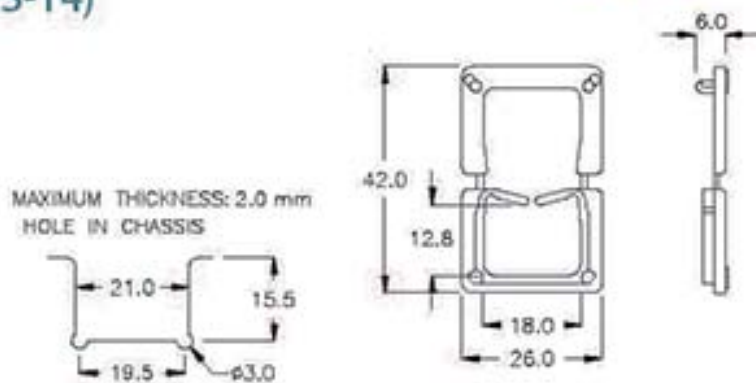


PART NO	MAX. THICKNESS	PACKAGE
DS-10S	0.7	500
DS-10A	2.2	
DS-10	1.6	

方型護線環 EDGE SADDLE (DS-14)



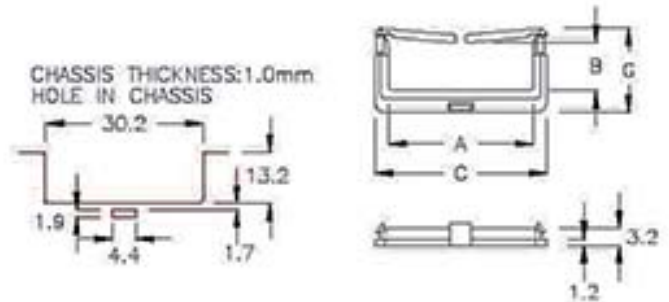
MATERIAL: NYLON 66(UL)
FLAME CLASS: 94V-2
COLOR: BLACK
PACKAGE: 500



方型護線環 EDGE SADDLE



MATERIAL: NYLON 66(UL)
FLAME CLASS: 94V-2
COLOR: BLACK

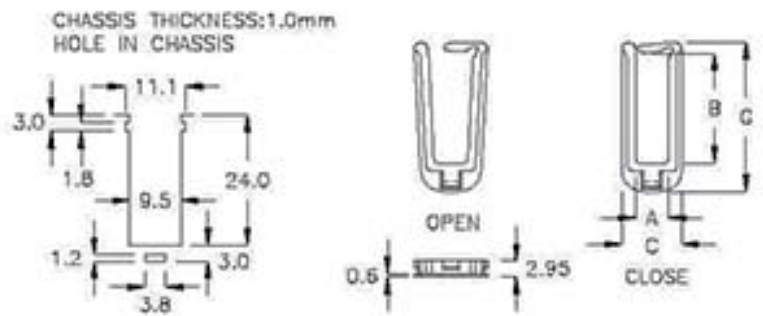


PART NO	A	B	C	G	PACKAGE
DS-27	27.0	9.0	32.0	15.6	500

方型護線環 EDGE SADDLE



MATERIAL: NYLON 66(UL)
FLAME CLASS: 94V-2
COLOR: BLACK

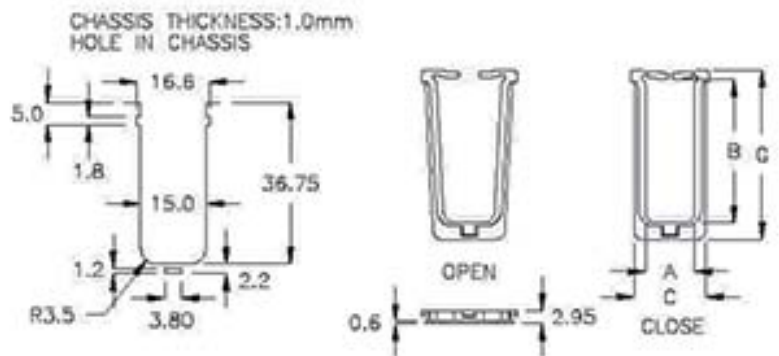


PART NO	A	B	C	G	PACKAGE
DSC-6CM	6.3	20.0	11.1	27.8	500

方型護線環 EDGE SADDLE



MATERIAL: NYLON 66(UL)
FLAME CLASS: 94V-2
COLOR: BLACK

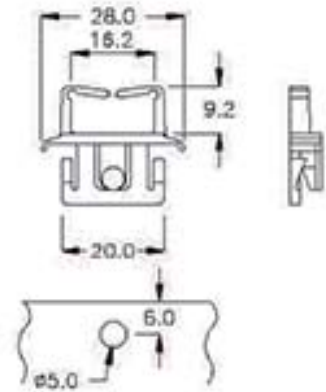


PART NO	A	B	C	G	PACKAGE
DSC-12NT	11.8	32.7	16.4	38.7	500

方型護線環 EDGE SADDLE (CT-16)



MATERIAL: NYLON 66(UL)
 FLAME CLASS: 94V-2
 COLOR: NATURAL
 PACKAGE: 500

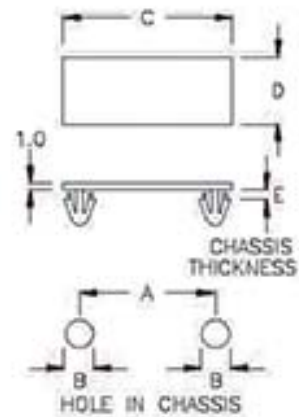


HOLE IN CHASSIS
 MAXIMUM THICKNESS: 2.0mm

保護蓋 HOLE PROTECT COVER



MATERIAL: NYLON 66(UL)
 FLAME CLASS: 94V-2
 COLOR: NATURAL

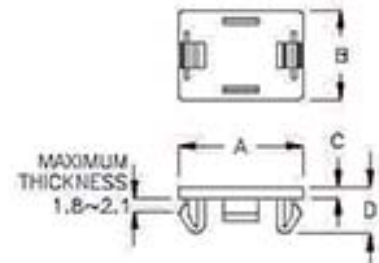


PART NO	A	B	C	D	E	PACKAGE
BH-8	20.0	φ3.2	25.0	10.0	1.0	1000
BH-9	34.0	φ3.5	46.0	12.0	0.8	
BH-10	25.0	φ3.1	35.0	16.0	1.6	
BH-10A	25.0	φ3.1	35.0	16.0	2.6	
BH-10C	32.0	φ3.2	42.0	16.0	3.6	
BH-51A	46.0	φ3.2	51.0	10.0	0.8	200

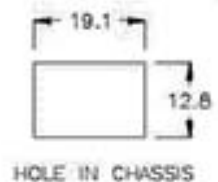
保護蓋 HOLE PROTECT COVER



MATERIAL: NYLON 66(UL)
 FLAME CLASS: 94V-2
 COLOR: BLACK



PART NO	A	B	C	D	PACKAGE
BHA-03	21.3	5.2	2.0	8.0	500



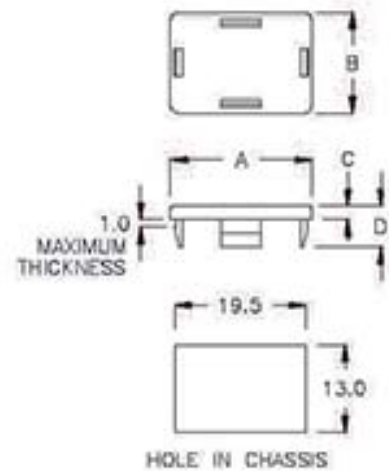
HOLE IN CHASSIS

保護蓋 HOLE PROTECT COVER



MATERIAL: NYLON 66(UL)
FLAME CLASS: 94V-2
COLOR: BLACK

PART NO	A	B	C	D	PACKAGE
BH-A-01	21.0	15.0	2.0	6.0	500

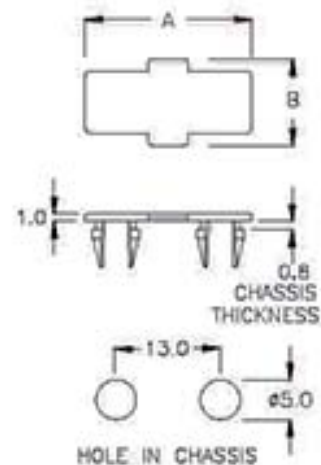


保護蓋 HOLE PROTECT COVER



MATERIAL: NYLON 66(UL)
FLAME CLASS: 94V-2
COLOR: NATURAL

PART NO	A	B	PACKAGE
BH-011	20.5	10.7	1000

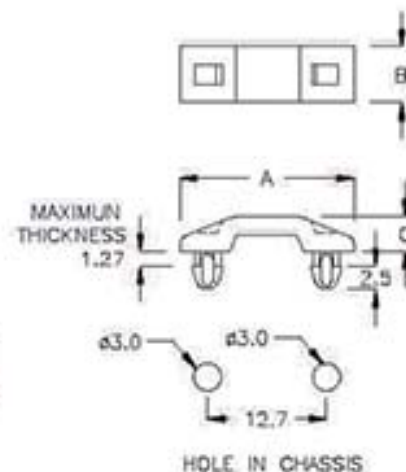


保護蓋 HOLE PROTECT COVER



MATERIAL: NYLON 66(UL)
FLAME CLASS: 94V-2
COLOR: BLACK, NATURAL

PART NO	A	B	C	PACKAGE
BH-019	18.7	6.0	3.7	1000

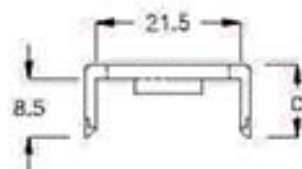
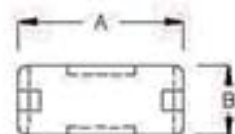


端子保護蓋 CONNECTOR COVER



MATERIAL: NYLON 66(UL)
FLAME CLASS: 94V-2
COLOR: NATURAL

PART NO	A	B	C	PACKAGE
BH-012	24.5	10.2	10.5	500



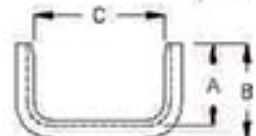
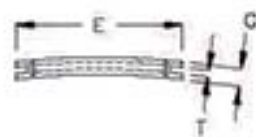
護線套 EDGING



MATERIAL: NYLON 66(UL)
FLAME CLASS: 94V-2
COLOR: BLACK



HOLE IN CHASSIS
T: CHASSIS THICKNESS

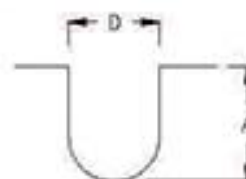


PART NO	A	B	C	D	E	T	G	PACKAGE
DDS-04	18.8	21.7	29.5	33.0	37.9	1.3	4.0	500

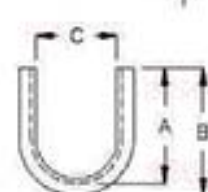
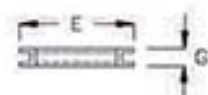
護線套 EDGING



MATERIAL: NYLON 66(UL)
FLAME CLASS: 94V-2
COLOR: BLACK



HOLE IN CHASSIS
T: CHASSIS THICKNESS

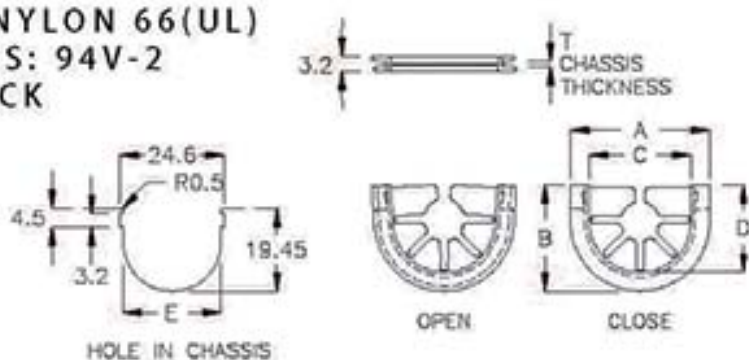


PART NO	A	B	C	D	E	T	G	PACKAGE
UST-01	24.3	26.8	17.2	19.2	24.2	1.6	3.85	500
UST-02	18.0	21.0	16.0	18.0	24.0	1.7	3.8	
UST-03	27.9	29.7	16.0	17.8	21.4	0.8	3.0	
UST-04	14.0	16.0	10.0	12.0	16.0	1.3	3.4	
UST-05	25.7	27.5	16.0	17.8	21.4	1.0	3.0	
UST-06	34.0	36.5	21.3	26.0	31.3	1.6	3.8	
UST-07	34.2	36.8	21.3	26.1	31.3	2.0	4.3	
UST-08	26.5	29.5	20.7	22.0	28.3	1.8	4.0	
UST-12	18.0	21.0	16.0	18.0	24.0	1.0	3.3	

護線套 EDGING



MATERIAL: NYLON 66(UL)
FLAME CLASS: 94V-2
COLOR: BLACK

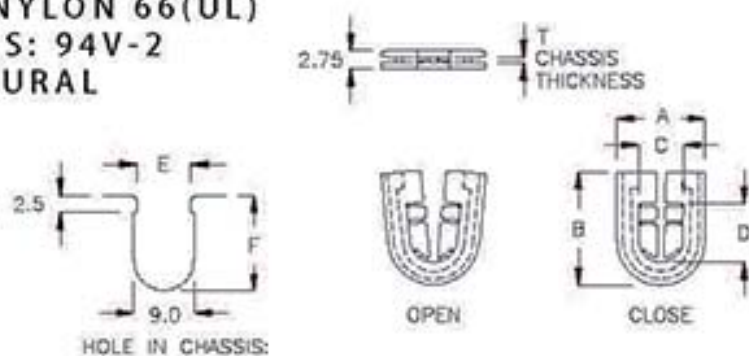


PART NO	A	B	C	D	E	T CHASSIS THICKNESS	PACKAGE
USK-21A	29.0	22.1	21.2	18.0	23.0	1.0	500

方型護線環 EDGE SADDLE



MATERIAL: NYLON 66(UL)
FLAME CLASS: 94V-2
COLOR: NATURAL

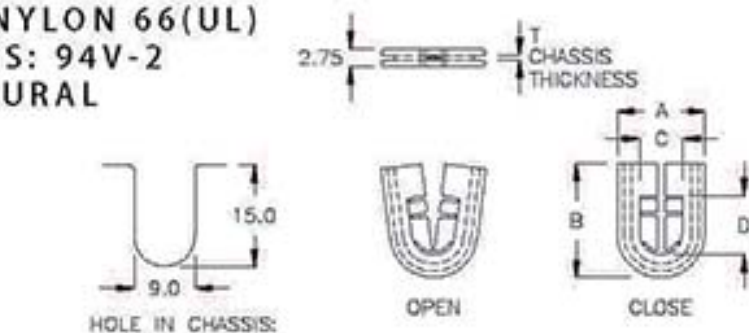


PART NO	A	B	C	D	E	F	T CHASSIS THICKNESS	PACKAGE
USM-6KP	13.0	16.8	6.4	8.7	8.0	15.0	0.6	1000

方型護線環 EDGE SADDLE



MATERIAL: NYLON 66(UL)
FLAME CLASS: 94V-2
COLOR: NATURAL



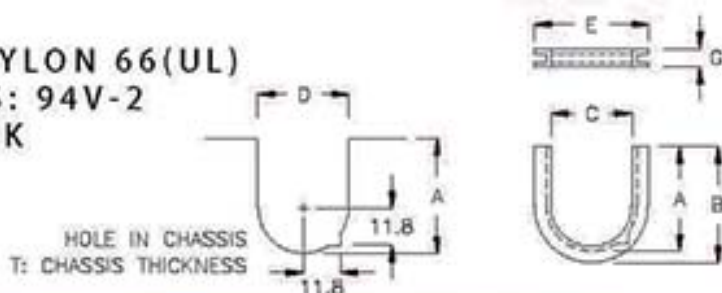
PART NO	A	B	C	D	T CHASSIS THICKNESS	PACKAGE
USM-6M	13.0	16.8	6.4	8.7	0.6	1000

2-27-1

護線套 EDGING



MATERIAL: NYLON 66(UL)
FLAME CLASS: 94V-2
COLOR: BLACK



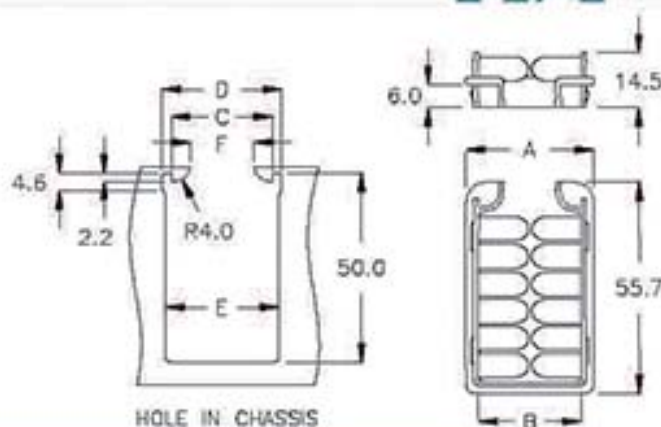
PART NO	A	B	C	D	E	T	G	PACKAGE
UST-27Q	29.2	31.7	27.4	29.4	35.1	0.8	3.0	500

2-27-2

方型護線環 EDGE SADDLE



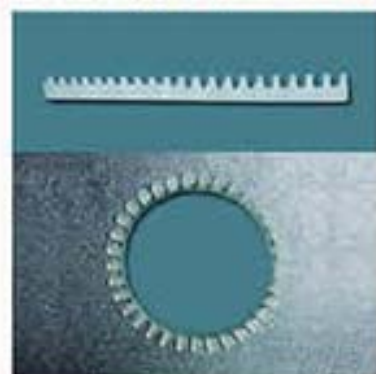
MATERIAL: NYLON 66(UL)
FLAME CLASS: 94V-2
COLOR: BLACK



PART NO	A	B	C	D	E	F	T-CHASSIS THICKNESS	PACKAGE
USC-27KH	33.6	27.2	26.8	31.6	30.0	17.0	0.8~1.6	100
USC-37FG	43.6	37.2	36.8	41.6	40.0	29.2	0.8~1.6	100

2-27-3

活動護線套 MOVABLE BUSHING



MATERIAL: NYLON 66(UL)
FLAME CLASS: 94V-2
COLOR: NATURAL

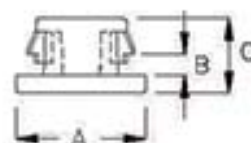


PART NO	A	B	C	D	K	SUITABLE THICKNESS	PACKAGE
US-12.31	31.2	3.2	4.0	1.2	1.1	1.2	2000
US-118.7	66.5	3.7	3.9	1.0	1.1	1.2	
US-127.9	79.0	3.2	4.3	1.2	1.2	1.3	
US-2010	100.0	4.4	4.3	1.3	1.9	2.0	1000
US-0725	255.0	3.2	4.6	1.8	0.6	0.7	
US-0928	260.0	3.1	3.8	0.9	0.9	1.0	
US-1125	256.0	3.4	4.4	1.6	1.0	1.1	
US-1126	265.0	3.5	4.4	1.6	0.9	1.0	
US-1225	255.0	3.2	4.2	1.4	1.2	1.3	
US-1317	176.0	3.7	4.3	1.3	1.4	1.5	
US-1325	256.0	3.7	4.3	1.3	1.4	1.5	500
US-1725	256.0	4.2	4.4	1.4	1.6	1.7	
US-2025	256.0	4.4	4.3	1.4	2.0	2.1	
US-2425	256.0	5.2	4.6	1.7	2.3	2.4	
US-3025	255.0	5.8	4.5	1.3	3.1	3.2	
US-3525	256.0	6.2	5.5	2.3	3.5	3.6	200

塞環 HOLE PLUG

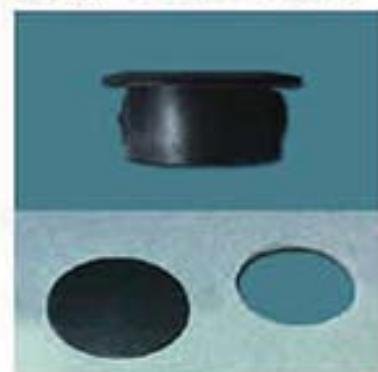


MATERIAL: NYLON 66(UL)
FLAME CLASS: 94V-2
COLOR: BLACK

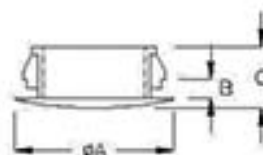
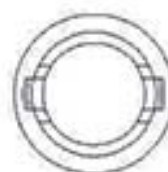


PART NO	CHASSIS THICKNESS	HOLE IN CHASSIS	A	B	C	PACKAGE
M-8A	1.6	ø8.5	ø11.5	1.8	6.6	1000

塞環 HOLE PLUG

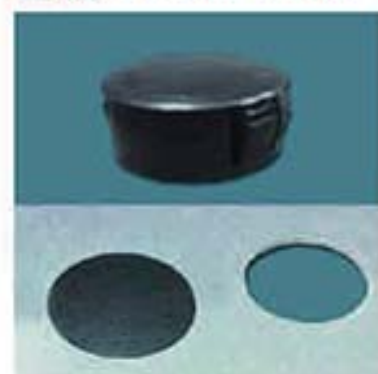


MATERIAL: NYLON 66(UL)
FLAME CLASS: 94V-2
COLOR: BLACK

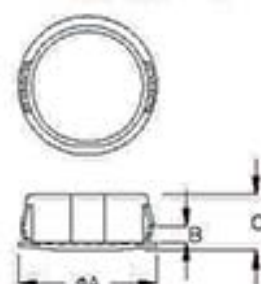


PART NO	MAXIMUM THICKNESS	HOLE IN CHASSIS	A	B	C	PACKAGE
M-3K	1.6	ø3.0~ø3.1	5.2	1.65	4.3	2000
M-3LM	1.6	ø3.4~ø3.6	5.6	1.8	4.3	
M-4DR	1.6	ø3.9~ø4.1	5.8	1.65	5.0	
M-4MF	1.6	ø4.4~ø4.6	6.0	1.65	5.0	
M-4	1.6	ø4.7~ø4.9	6.0	1.8	5.2	
M-5	1.0	ø4.95~ø5.0	7.5	1.3	5.7	
M-6	1.6	ø6.3~ø6.5	7.6	1.8	5.6	1000
M-6A	1.6	ø6.2~ø6.5	8.0	1.85	8.0	
M-7	1.6	ø7.0~ø7.1	11.0	1.9	7.0	
M-8	1.6	ø7.6~ø8.0	9.5	1.8	6.0	
M-9	1.2	ø9.5~ø9.6	13.0	2.0	6.5	
M-10	1.4	ø9.6~ø10.0	13.0	1.8	6.0	
M-11A	1.4	ø11.45~ø11.55	18.6	2.0	7.0	
M-11DC	0.8	ø11.2~ø11.25	15.0	1.35	6.9	
M-13	2.1	ø12.7~ø13.0	17.0	2.3	8.0	
M-16	2.0	ø15.9~ø16.0	20.0	2.3	7.7	

塞環 HOLE PLUG



MATERIAL: NYLON 66(UL)
FLAME CLASS: 94V-2
COLOR: BLACK

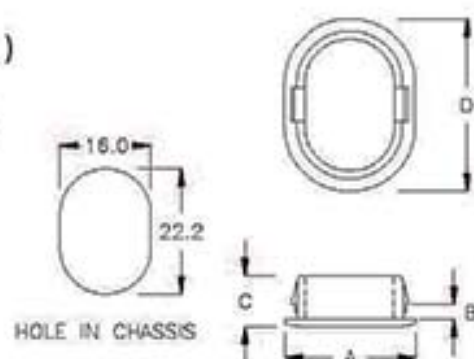


PART NO	MAXIMUM THICKNESS	HOLE IN CHASSIS	A	B	C	PACKAGE
M-15	1.6	φ15.0~φ15.1	16.8	1.8	7.0	500
M-19	3.2	φ18.9~φ19.0	23.5	3.5	10.5	
M-22	3.0	φ21.9~φ22.0	26.0	3.4	9.6	
M-22C	3.5	φ21.9~φ22.0	25.8	3.7	11.7	200
M-25	3.2	φ25.4~φ25.6	28.0	4.0	12.7	
M-28A	3.5	φ28.3~φ28.4	32.0	3.9	13.1	
M-30	3.2	φ30.5~φ30.8	34.0	4.0	13.0	
M-32	2.2	φ32.0~φ32.1	35.7	2.6	13.0	

塞環 HOLE PLUG



MATERIAL: NYLON 66(UL)
FLAME CLASS: 94V-2
COLOR: NATURAL, BLACK

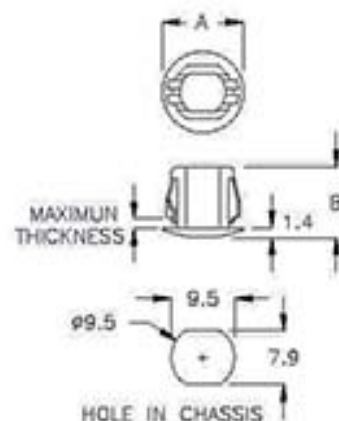


PART NO	MAXIMUM THICKNESS	A	B	C	D	PACKAGE
M-22A	2.0	19.4	2.2	7.5	25.6	200

塞頭 HOLE PLUG



MATERIAL: NYLON 66(UL)
FLAME CLASS: 94V-2
COLOR: BLACK



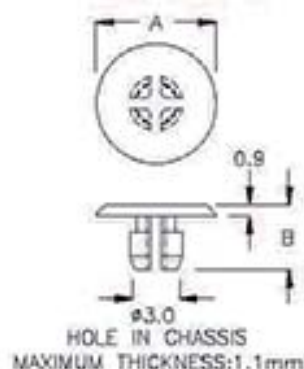
PART NO	MAXIMUM THICKNESS	A	B	PACKAGE
MU-9JP	3.4	φ12.0	10.5	1000

2-30-1



保護蓋 HOLE PROTECTOR
 MATERIAL: NYLON 66(UL)
 FLAME CLASS: 94V-2
 COLOR: BLACK

PART NO	A	B	PACKAGE
MBF-01	ø8.9	4.9	1000

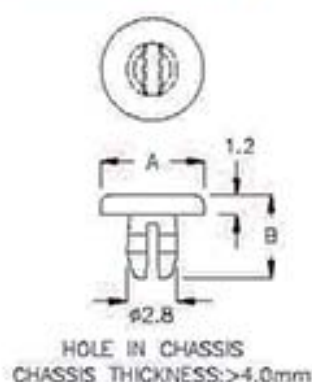


2-30-2



塞頭 HOLE PLUG
 MATERIAL: NYLON 66(UL)
 FLAME CLASS: 94V-2
 COLOR: NATURAL

PART NO	A	B	PACKAGE
MHG-1A	ø6.2	5.0	2000

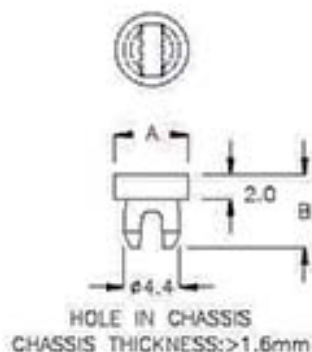


2-30-3



塞頭 HOLE PLUG
 MATERIAL: NYLON 66(UL)
 FLAME CLASS: 94V-2
 COLOR: BLACK

PART NO	A	B	PACKAGE
MHG-02	ø6.0	6.0	2000

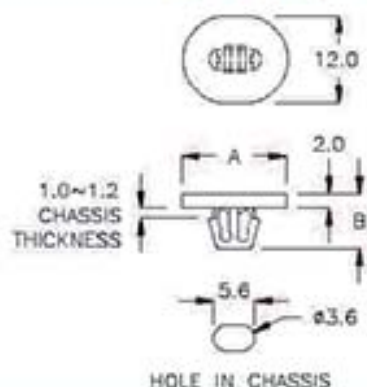


2-30-4



塞頭 HOLE PLUG
 MATERIAL: NYLON 66(UL)
 FLAME CLASS: 94V-2
 COLOR: BLACK

PART NO	A	B	PACKAGE
MMD-01	14.4	7.5	1000



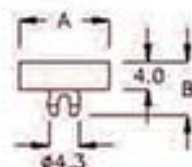
2-31-1



塞頭 HOLE PLUG

MATERIAL: NYLON 66(UL)
FLAME CLASS: 94V-2
COLOR: BLACK

PART NO	A	B	PACKAGE
MHG-04	ø13.4	7.9	2000



HOLE IN CHASSIS
CHASSIS THICKNESS: >4.0mm

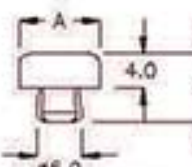
2-31-2



塞頭 HOLE PLUG

MATERIAL: NYLON 66(UL)
FLAME CLASS: 94V-2
COLOR: NATURAL

PART NO	A	B	PACKAGE
MHG-4A	ø9.5	8.0	2000



HOLE IN CHASSIS
CHASSIS THICKNESS: >4.0mm

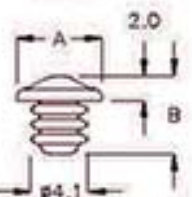
2-31-3



塞頭 HOLE PLUG

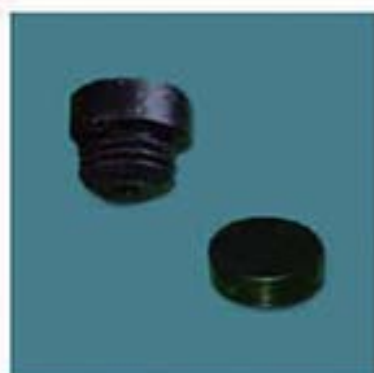
MATERIAL: SILICONE
COLOR: NATURAL

PART NO	A	B	PACKAGE
SRR-6A	ø7.0	6.4	2000



HOLE IN CHASSIS
CHASSIS THICKNESS: >4.0mm

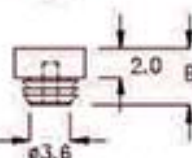
2-31-4



塞頭 HOLE PLUG

MATERIAL: TPE
COLOR: BLACK

PART NO	A	B	PACKAGE
MPL-05	ø5.0	4.0	2000



HOLE IN CHASSIS
CHASSIS THICKNESS: >2.0mm

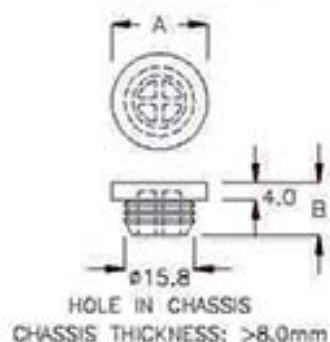
2-32-1



塞頭 HOLE PLUG

MATERIAL: TPE
COLOR: BLACK

PART NO	A	B	PACKAGE
MPL-21Q	ø21.8	12.0	100



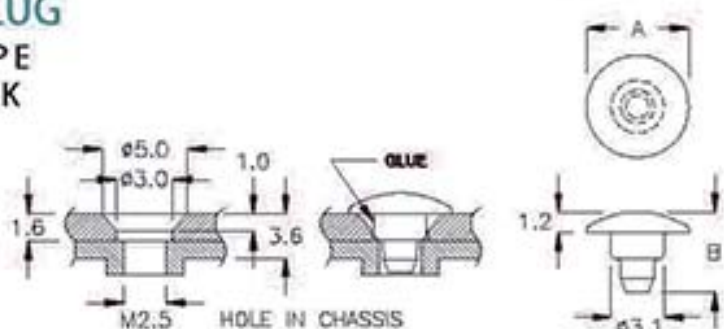
2-32-2



塞頭 HOLE PLUG

MATERIAL: TPE
COLOR: BLACK

PART NO	A	B	PACKAGE
MPZ-6Q	ø6.0	4.7	2000



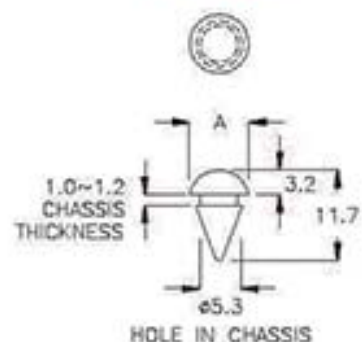
2-32-3



塞頭 HOLE PLUG

MATERIAL: SILICONE
COLOR: BLACK

PART NO	A	PACKAGE
MHG-5F	ø7.7	1000



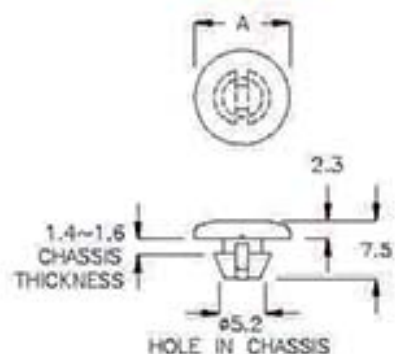
2-32-4



塞頭 HOLE PLUG

MATERIAL: TPE
COLOR: BLACK

PART NO	A	PACKAGE
MAF-4D	ø12.0	1000

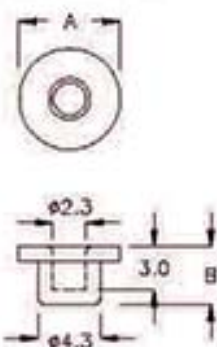


2-33-1



固定座 MOUNT
MATERIAL: SILICONE
COLOR: BLACK

PART NO	A	B	PACKAGE
MMQ-01	φ7.0	4.0	2000

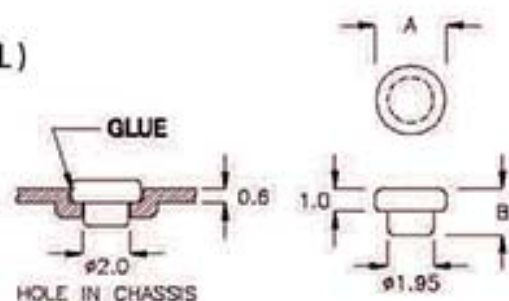


2-33-2



固定座 MOUNT
MATERIAL: NYLON 66(UL)
FLAME CLASS: 94V-2
COLOR: NATURAL

PART NO	A	B	PACKAGE
MMQ-02	φ3.0	2.0	2000

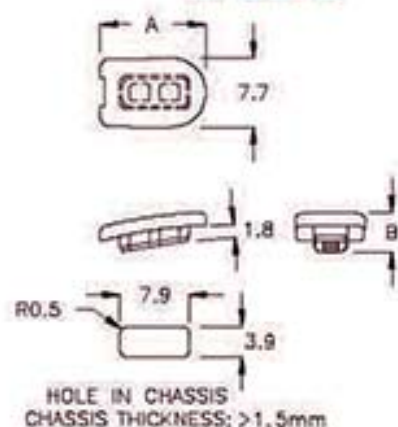


2-33-3



塞頭 HOLE PLUG
MATERIAL: TPE
COLOR: BLACK

PART NO	A	B	PACKAGE
MXR-7BK	11.75	4.4	1000



2-33-4



塞頭 HOLE PLUG
MATERIAL: NYLON 66(UL)
FLAME CLASS: 94V-2
COLOR: BLACK

PART NO	A	B	PACKAGE
MBF-6A	φ7.0	5.4	2000

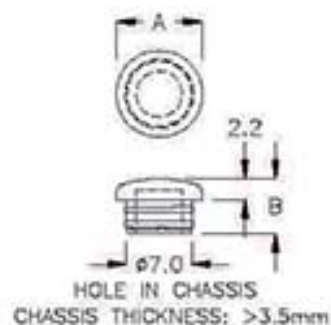


ANT3 RFID 塞頭 ANT3 RFID HOLE PLUG



MATERIAL: TPE
COLOR: BLACK

PART NO	A	B	PACKAGE
MPL-9A	ø9.0	5.7	2000

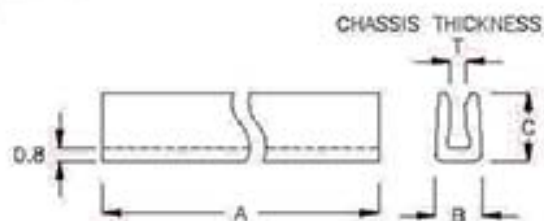


護板套 EDGING

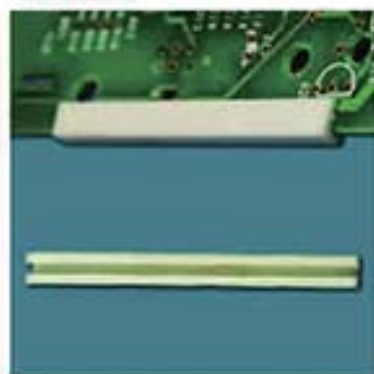


MATERIAL: NYLON 66(UL)
FLAME CLASS: 94V-2
COLOR: NATURAL

PART NO	A	B	C	T	PACKAGE
VTU-14	14.0	2.4	3.2	0.8	1000
VTU-200M	20.0	2.8	5.5	1.0	

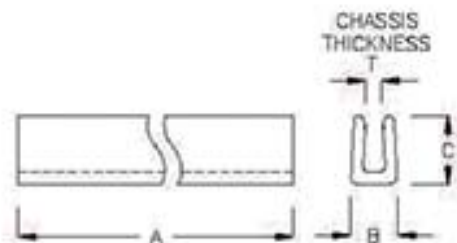


護板套 EDGING

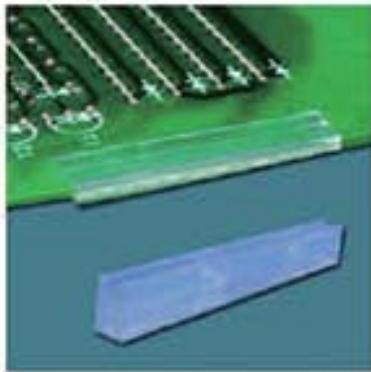


MATERIAL: NYLON 66(UL)
FLAME CLASS: 94V-2
COLOR: NATURAL

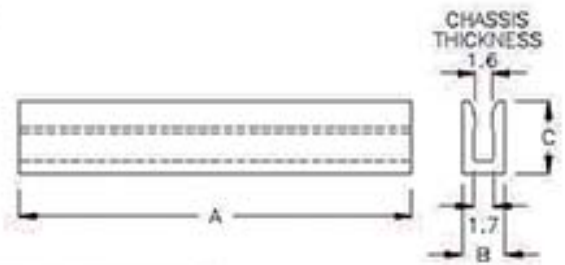
PART NO	A	B	C	T CHASSIS THICKNESS	PACKAGE
VTU-20A	20.0	4.8	5.0	2.5	1000
VTU-30C	30.0	4.4	5.0	1.6	
VTU-47	47.0	4.4	5.0	1.6	



護板套 EDGING

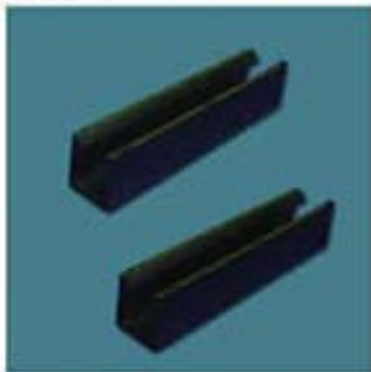


MATERIAL: PC(UL)
FLAME CLASS: 94V-2
COLOR: NATURAL



PART NO	A	B	C	PACKAGE
UTU-30	30.0	3.8	6.0	1000
UTU-60	60.0	3.8	6.0	500
UTU-60A	59.0	5.5	8.0	
UTU120	120.0	5.5	8.0	100

護線套 EDGING

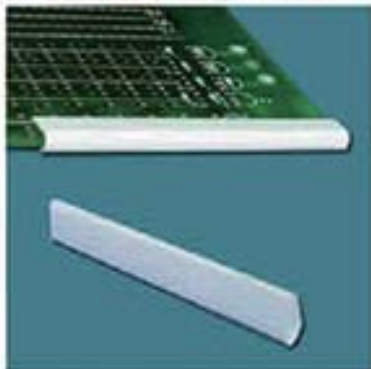


MATERIAL: NYLON 66(UL)
FLAME CLASS: 94V-2
COLOR: BLACK
ADHESIVE TAPE: 3M

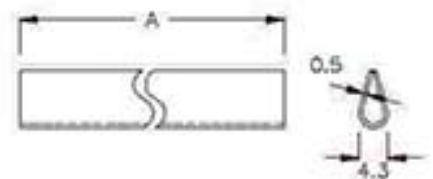


PART NO	A	B	C	PACKAGE
UTU-60C	60.0	11.5	12.5	100

V型套管 V TUBE



MATERIAL: ABS
FLAME CLASS: 94V-0
COLOR: NATURAL



PART NO	A	CHASSIS THICKNESS	PACKAGE
VTU-180	180.0	0.3~1.0	200

A DIMENSION IS ACCORDING TO CUSTOMER'S REQUEST

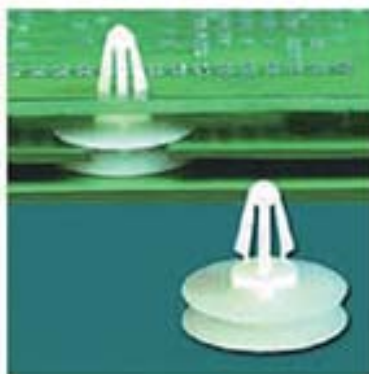


P.C.板間隔柱 ▲
SPACER SUPPORT

P.C.板間隔柱 SPACER SUPPORT

PINGOOD

3-2-1

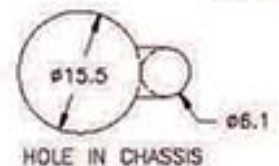
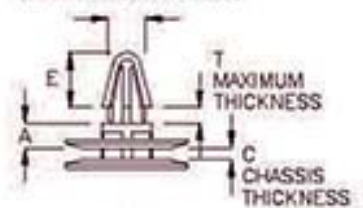


P.C.板間隔柱 SPACER SUPPORT

MATERIAL: NYLON 66(UL)
FLAME CLASS: 94V-2
COLOR: NATURAL

PART NO	A	T MAXIMUM THICKNESS	C CHASSIS THICKNESS	E	PACKAGE
LSA-2A	3.0	1.6	1.2	6.8	500

HOLE IN P.C.B.: $\phi 4.0$



3-2-2

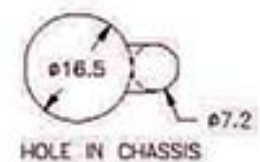
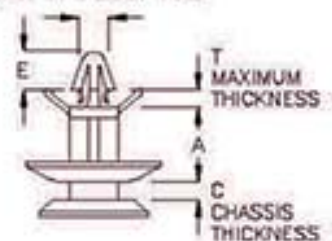


P.C.板間隔柱 SPACER SUPPORT

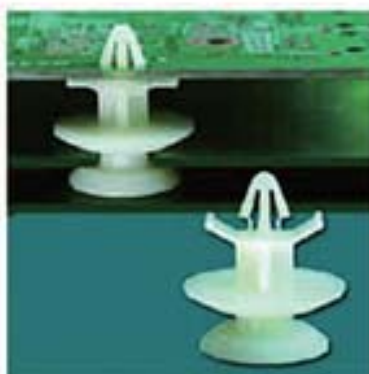
MATERIAL: NYLON 66(UL)
FLAME CLASS: 94V-2
COLOR: NATURAL

PART NO	A	T MAXIMUM THICKNESS	C CHASSIS THICKNESS	E	PACKAGE
LSD-9B	8.6	4.0	2.5	5.8	500
LSD-11A	11.1	2.0	2.5	5.8	
LSD-12	12.1	1.6	2.5	5.8	
LSD-12A	12.1	2.0	2.5	5.8	
LSD-14	14.0	1.6	2.5	5.8	

HOLE IN P.C.B.: $\phi 4.5$



3-2-3

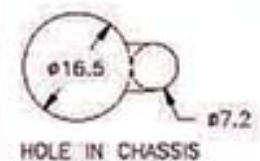
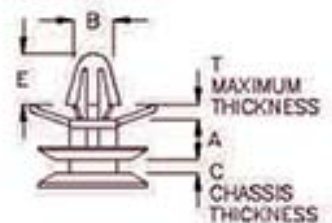


P.C.板間隔柱 SPACER SUPPORT

MATERIAL: NYLON 66(UL)
FLAME CLASS: 94V-2
COLOR: NATURAL

PART NO	A	B	T MAXIMUM THICKNESS	C CHASSIS THICKNESS	E	PACKAGE
LSD-4A	4.5	$\phi 4.5$	2.0	2.5	5.8	500
LSD-6	6.0	$\phi 6.0$	1.6	1.8	7.6	
LSD-9A	9.5	$\phi 4.5$	1.6	1.8	5.8	
LSD-9C	8.6	$\phi 6.0$	1.6	1.8	7.6	
LSD-13A	13.3	$\phi 6.0$	1.6	1.8	7.6	

HOLE IN P.C.B.



P.C.板間隔柱 SPACER SUPPORT

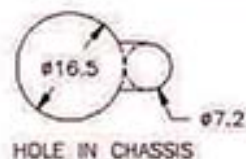
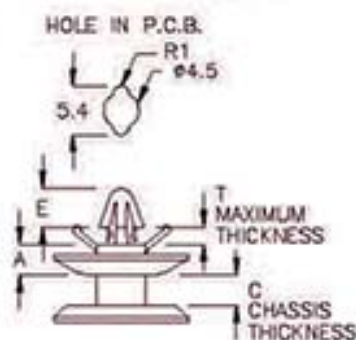
PINGOOD

3-3-1



P.C.板間隔柱 SPACER SUPPORT

MATERIAL: NYLON 66(UL)
FLAME CLASS: 94V-2
COLOR: NATURAL



PART NO	A	T MAXIMUM THICKNESS	C CHASSIS THICKNESS	E	PACKAGE
LSD-8	3.3	2.0	2.5	6.5	500
LSD-8C	3.2	2.0	5.0	6.5	

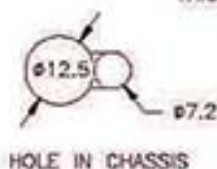
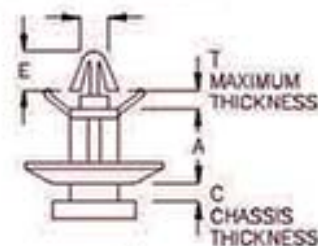
3-3-2



P.C.板間隔柱 SPACER SUPPORT

MATERIAL: NYLON 66(UL)
FLAME CLASS: 94V-2
COLOR: NATURAL

HOLE IN P.C.B.: $\phi 4.5$



PART NO	A	T MAXIMUM THICKNESS	C CHASSIS THICKNESS	E	PACKAGE
LSD-11	11.0	2.0	2.2	5.8	500

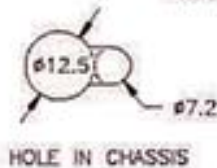
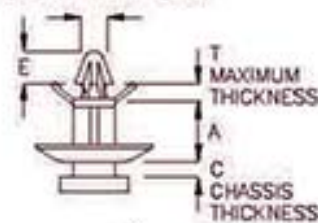
3-3-3



P.C.板間隔柱 SPACER SUPPORT

MATERIAL: NYLON 66(UL)
FLAME CLASS: 94V-2
COLOR: NATURAL

HOLE IN P.C.B.: $\phi 4.5$



PART NO	A	T MAXIMUM THICKNESS	C CHASSIS THICKNESS	E	PACKAGE
LSD-11C	11.0	2.0	2.1	5.8	500

P.C.板間隔柱 SPACER SUPPORT

PINGOOD

3-4-1

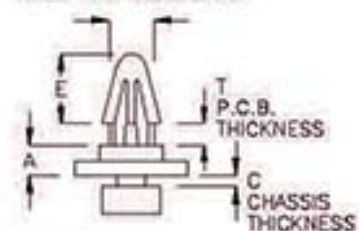


P.C.板間隔柱 SPACER SUPPORT

MATERIAL: NYLON 66(UL)
FLAME CLASS: 94V-2
COLOR: NATURAL

PART NO	A	T P.C.B. THICKNESS	C CHASSIS THICKNESS	E	PACKAGE
ACBS-3C	3.5	1.4~1.8	0.8~1.0	7.1	1000

HOLE IN P.C.B.: $\phi 3.4$



3-4-2

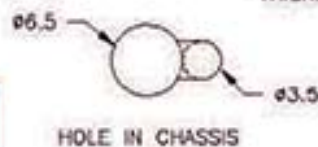
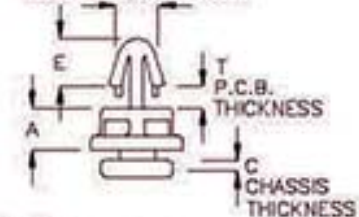


P.C.板間隔柱 SPACER SUPPORT

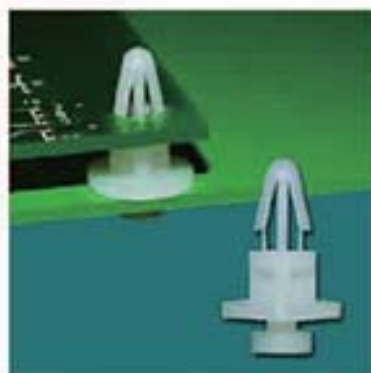
MATERIAL: NYLON 66(UL)
FLAME CLASS: 94V-2
COLOR: NATURAL

PART NO	A	T P.C.B. THICKNESS	C CHASSIS THICKNESS	E	PACKAGE
ACMS-3RK	3.5	1.6	0.6	4.0	1000

HOLE IN P.C.B.: $\phi 3.4$



3-4-3

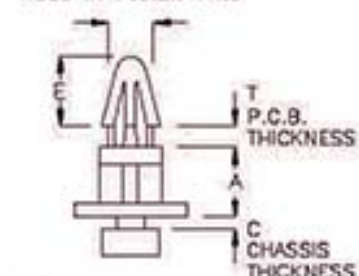


P.C.板間隔柱 SPACER SUPPORT

MATERIAL: NYLON 66(UL)
FLAME CLASS: 94V-2
COLOR: NATURAL

PART NO	A	T P.C.B. THICKNESS	C CHASSIS THICKNESS	E	PACKAGE
ACBS-2	2.5	1.4~1.7	0.8~1.4	7.1	1000
ACBS-3A	3.5	1.4~1.7	0.8~1.0	7.1	
ACBS-5	5.0	1.2~1.7	0.8~1.4	7.1	
ACBS-6	6.5	1.2~1.7	0.8~1.2	7.3	
ACBS-6B	6.35	1.4~1.9	0.8~1.4	7.1	
ACBS-6C	6.35	1.4~2.0	0.8~1.4	7.2	
ACBS-6M	6.85	1.2~1.6	0.5~0.8	7.0	
ACBS-8	8.0	1.4~1.8	0.8~1.4	7.1	
ACBS-10	10.0	1.4~1.8	0.8~1.5	7.1	
ACBS-12	12.7	1.4~1.8	1.0~1.8	7.1	

HOLE IN P.C.B.: $\phi 4.0$



P.C.板間隔柱 SPACER SUPPORT

PINGOOD

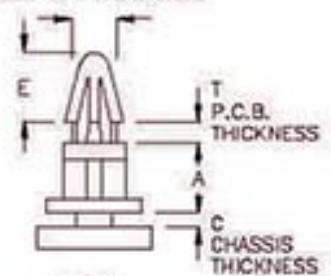
3-5-1



P.C.板間隔柱 SPACER SUPPORT

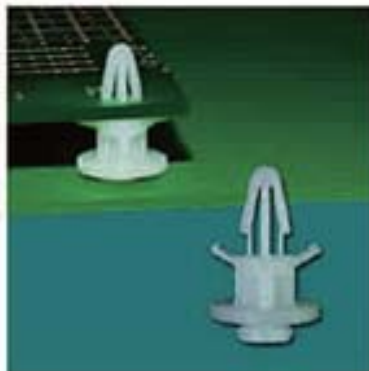
MATERIAL: NYLON 66(UL)
FLAME CLASS: 94V-2
COLOR: NATURAL

HOLE IN P.C.B.: $\phi 4.0$



PART NO	A	T P.C.B. THICKNESS	C CHASSIS THICKNESS	E	PACKAGE
ACBS-8A	8.0	1.4~1.9	1.6~2.2	7.1	1000

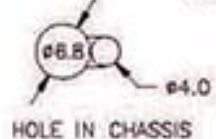
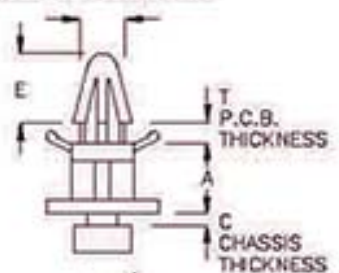
3-5-2



P.C.板間隔柱 SPACER SUPPORT

MATERIAL: NYLON 66(UL)
FLAME CLASS: 94V-2
COLOR: NATURAL

HOLE IN P.C.B.: $\phi 4.0$



PART NO	A	T P.C.B. THICKNESS	C CHASSIS THICKNESS	E	PACKAGE
ACBS-8K	6.5	1.8~2.3	0.6~0.8	7.1	1000

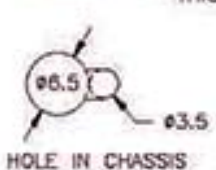
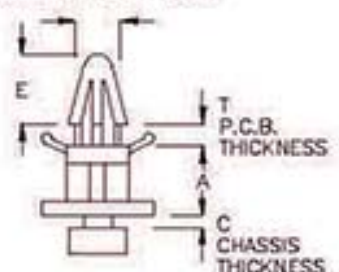
3-5-3



P.C.板間隔柱 SPACER SUPPORT

MATERIAL: NYLON 66(UL)
FLAME CLASS: 94V-2
COLOR: NATURAL

HOLE IN P.C.B.: $\phi 4.0$

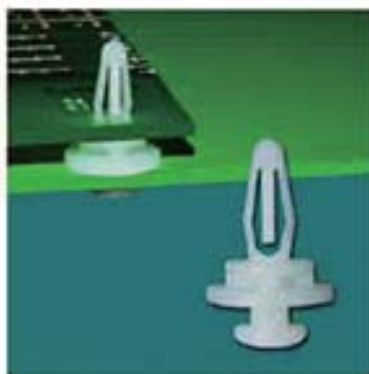


PART NO	A	T P.C.B. THICKNESS	C CHASSIS THICKNESS	E	PACKAGE
ACBS-6T	6.4	1.5~2.3	0.8~1.5	7.1	1000
ACBS-17T	17.0	1.4~1.8	0.6~0.8	7.1	500
ACBS-74T	74.0	1.4~1.8	1.0~1.2	7.3	200

P.C.板間隔柱 SPACER SUPPORT

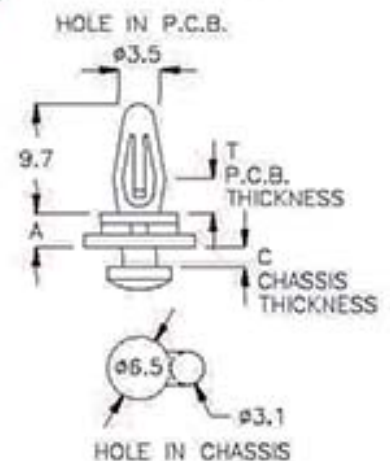
PINGOOD

3-6-1



P.C.板間隔柱 SPACER SUPPORT

MATERIAL: NYLON 66(UL)
FLAME CLASS: 94V-2
COLOR: NATURAL



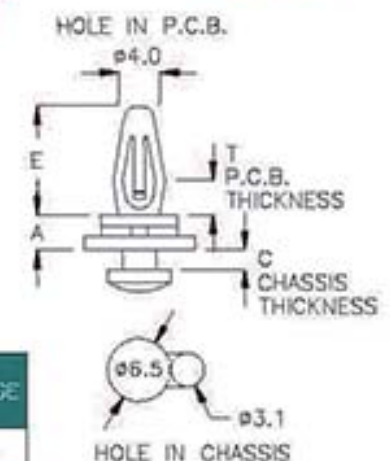
PART NO	A	T P.C.B. THICKNESS	C CHASSIS THICKNESS	PACKAGE
AF-003	3.2	1.6	1.0~1.7	1000

3-6-2



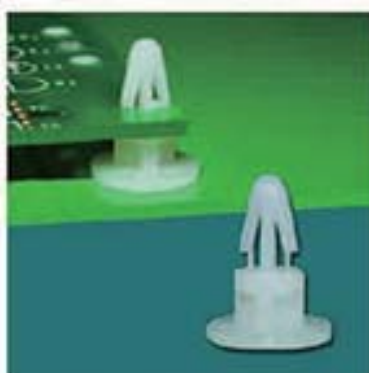
P.C.板間隔柱 SPACER SUPPORT

MATERIAL: NYLON 66(UL)
FLAME CLASS: 94V-2
COLOR: NATURAL



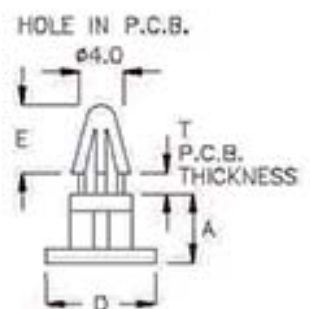
PART NO	A	T P.C.B. THICKNESS	C CHASSIS THICKNESS	E	PACKAGE
AC-003	3.2	1.6	1.0~1.7	10.3	1000
AC-006	6.4	1.6	1.0~1.7	10.2	

3-6-3



P.C.板間隔柱 SPACER SUPPORT

MATERIAL: NYLON 66(UL)
FLAME CLASS: 94V-2
COLOR: NATURAL

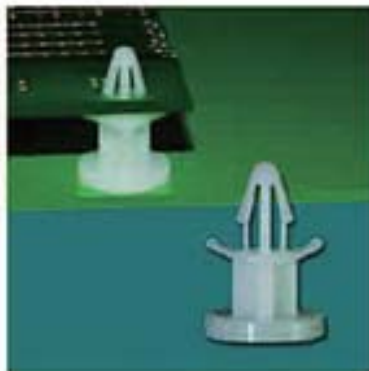


PART NO	A	T P.C.B. THICKNESS	D	E	PACKAGE
ACBS-6Y	6.4	1.2~1.6	φ11.8	7.2	1000
ACBS-8X	8.0	1.2~1.7	φ15.0	7.2	
ACBS-8Y	8.0	1.2~1.7	φ11.6	7.2	
ACBS-8K	8.0	1.2~1.7	φ18.0	7.1	
ACT-17	17.0	1.4~1.8	φ11.3	7.0	

P.C.板間隔柱 SPACER SUPPORT

PINGOOD

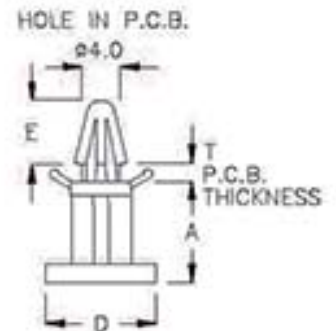
3-7-1



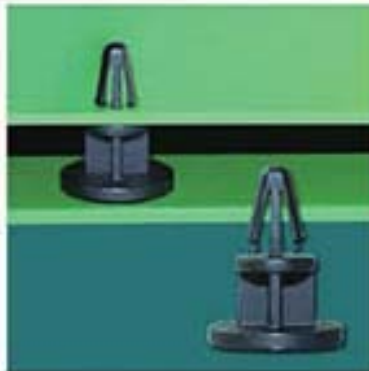
P.C.板間隔柱 SPACER SUPPORT

MATERIAL: NYLON 66(UL)
FLAME CLASS: 94V-2
COLOR: NATURAL

PART NO	A	T P.C.B. THICKNESS	D	E	PACKAGE
ACBS-8D	8.0	1.2~1.6	φ11.8	7.5	1000
ACBS-9K	8.5	1.6~2.2	φ12.0	6.0	
ACBS-9Y	9.0	1.2~1.6	φ12.0	7.1	
ACBS-10Y	10.0	1.2~1.6	φ12.0	7.1	
ACBS-11Y	11.0	1.2~1.6	φ11.9	7.1	



3-7-2

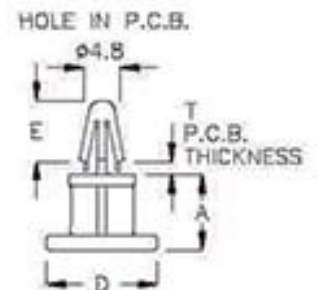


P.C.板間隔柱 SPACER SUPPORT

MATERIAL: NYLON 66(UL)
FLAME CLASS: 94V-2
COLOR: BLACK

NEW

PART NO	A	T P.C.B. THICKNESS	D	E	PACKAGE
★ ACBK-9HG	9.6	1.6	φ15.0	8.3	1000



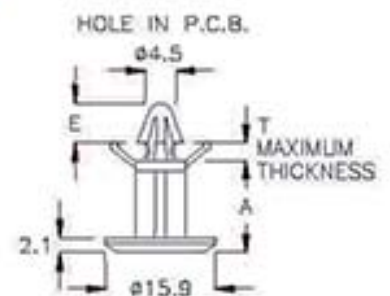
3-7-3



P.C.板間隔柱 SPACER SUPPORT

MATERIAL: NYLON 66(UL)
FLAME CLASS: 94V-2
COLOR: NATURAL

PART NO	A	T MAXIMUM THICKNESS	E	PACKAGE
LSD-13	13.3	2.0	5.8	500



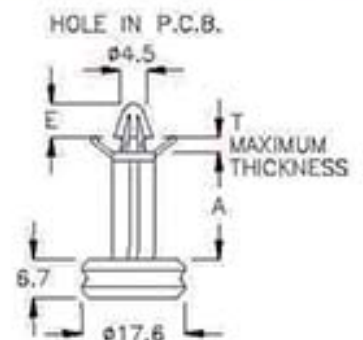
3-7-4



P.C.板間隔柱 SPACER SUPPORT

MATERIAL: NYLON 66(UL)
FLAME CLASS: 94V-2
COLOR: NATURAL

PART NO	A	T MAXIMUM THICKNESS	E	PACKAGE
LSD-21	19.0	2.0	5.8	200



P.C.板間隔柱 SPACER SUPPORT

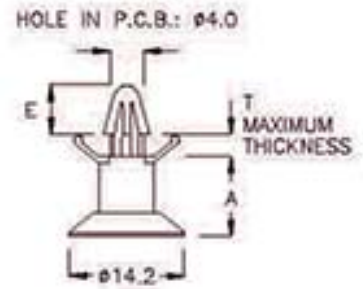
PINGOOD

3-8-1



P.C.板間隔柱 SPACER SUPPORT

MATERIAL: NYLON 66(UL)
FLAME CLASS: 94V-2
COLOR: NATURAL



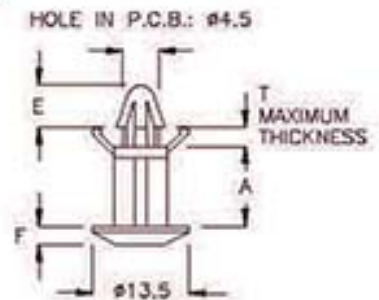
PART NO	A	T MAXIMUM THICKNESS	E	PACKAGE
LTD-10	9.9	2.0	5.4	500

3-8-2



P.C.板間隔柱 SPACER SUPPORT

MATERIAL: NYLON 66(UL)
FLAME CLASS: 94V-2
COLOR: NATURAL



PART NO	A	T MAXIMUM THICKNESS	E	F	PACKAGE
LTD-11	11.0	2.0	5.8	2.0	500
LTD-14	14.0	2.0	5.8	2.0	



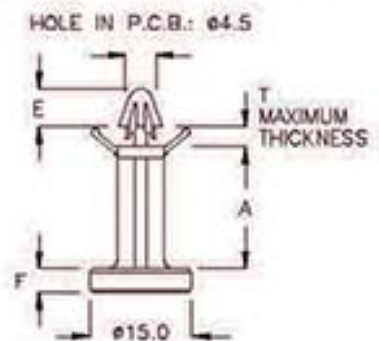
HOLE IN CHASSIS

3-8-3



P.C.板間隔柱 SPACER SUPPORT

MATERIAL: NYLON 66(UL)
FLAME CLASS: 94V-2
COLOR: NATURAL



PART NO	A	T MAXIMUM THICKNESS	E	F	PACKAGE
LTD-18	18.0	1.8	5.8	3.5	500
LTD-18A	18.0	1.8	5.8	3.0	

P.C.板間隔柱 SPACER SUPPORT

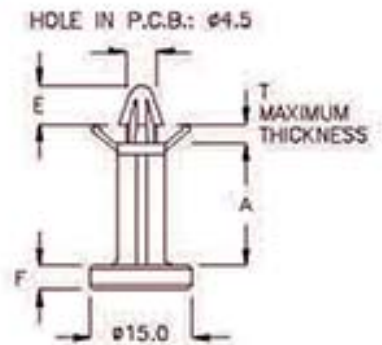
PINGOOD

3-9-1



P.C.板間隔柱 SPACER SUPPORT

MATERIAL: NYLON 66(UL)
FLAME CLASS: 94V-2
COLOR: NATURAL



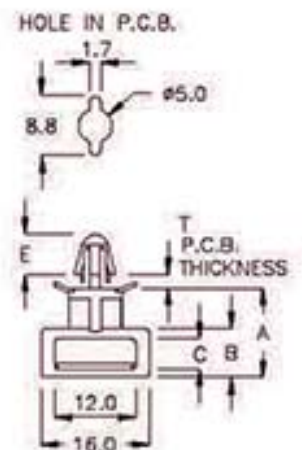
PART NO	A	T MAXIMUM THICKNESS	E	F	PACKAGE
LTD-18C	18.0	1.7	6.0	3.0	500

3-9-2



P.C.板間隔柱 SPACER SUPPORT

MATERIAL: NYLON 66(UL)
FLAME CLASS: 94V-2
COLOR: NATURAL



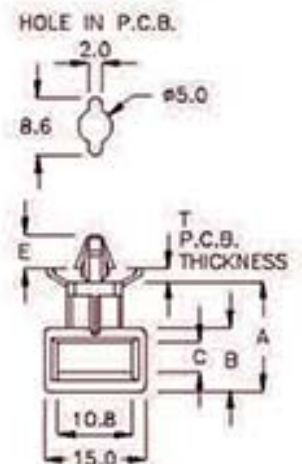
PART NO	A	B	C	T P.C.B. THICKNESS	E	PACKAGE
LTX-13	13.2	7.2	3.7	1.6	6.0	1000

3-9-3



P.C.板間隔柱 SPACER SUPPORT

MATERIAL: NYLON 66(UL)
FLAME CLASS: 94V-2
COLOR: NATURAL

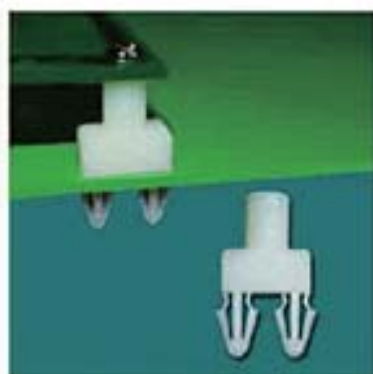


PART NO	A	B	C	T P.C.B. THICKNESS	E	PACKAGE
LTX-16A	16.2	9.4	4.5	1.6	5.0	500

P.C.板間隔柱 SPACER SUPPORT

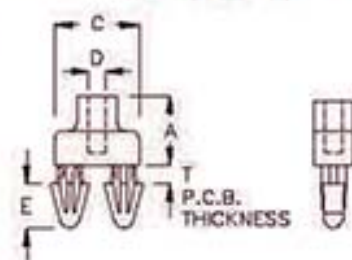
PINGOOD

3-10-1

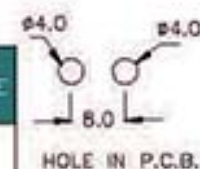


P.C.板間隔柱 SPACER SUPPORT

MATERIAL: NYLON 66(UL)
FLAME CLASS: 94V-2
COLOR: NATURAL



PART NO	A	T P.C.B. THICKNESS	C	D TAPPING SCREW	E	PACKAGE
TAA-01	13.8	2.0	12.5	M3X8	6.7	500
TAA-03	21.0	1.6	12.5	M3X8	6.7	
TAA-04	15.0	2.0	12.5	M3X8	6.7	
TAA-05	5.0	1.6	12.5	M3X4	6.7	
TAA-06	14.1	2.5	12.5	M3X8	6.7	



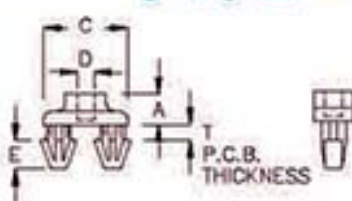
HOLE IN P.C.B.

3-10-2

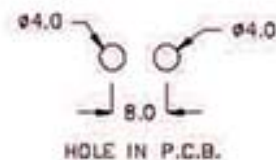


P.C.板間隔柱 SPACER SUPPORT

MATERIAL: NYLON 66(UL)
FLAME CLASS: 94V-2
COLOR: NATURAL



PART NO	A	T P.C.B. THICKNESS	C	D TAPPING SCREW	E	PACKAGE
TAA-07	4.5	2.0	12.5	M3X4	4.3	500
TAA-4A	8.5	1.6	12.5	M3X6	4.8	



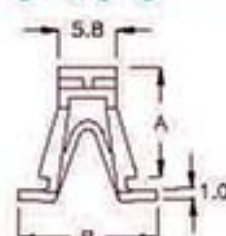
HOLE IN P.C.B.

3-10-3

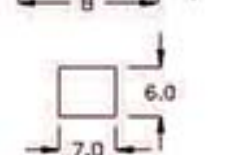


P.C.板間隔柱 SPACER SUPPORT

MATERIAL: NYLON 66(UL)
FLAME CLASS: 94V-0
COLOR: NATURAL



PART NO	A	B	PACKAGE
FK-011	11.0	13.0	1000

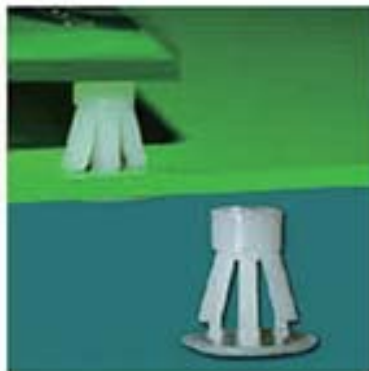


HOLE IN CHASSIS
CHASSIS THICKNESS: 1.0mm

P.C.板間隔柱 SPACER SUPPORT

PINGOOD

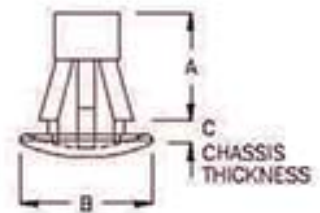
3-11-1



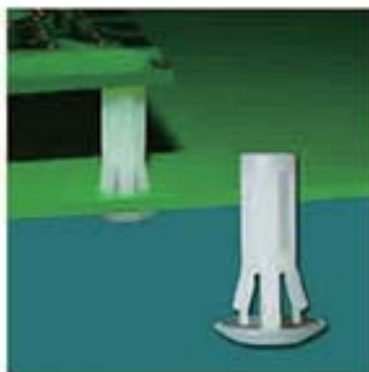
P.C.板間隔柱 SPACER SUPPORT

MATERIAL: NYLON 66(UL)
 FLAME CLASS: 94V-2
 COLOR: NATURAL
 HOLE IN CHASSIS: $\Phi 5.5$

PART NO	A	B	C CHASSIS THICKNESS	PACKAGE
FCB-4M	4.5	$\Phi 9.8$	0.8~1.2	1000
FCB-5	5.0	$\Phi 11.5$	1.4~2.0	
FCB-6	6.35	$\Phi 10.4$	1.0~2.0	
FCB-6A	6.35	$\Phi 10.0$	1.5~2.3	
FCB-7	7.0	$\Phi 10.4$	1.3~1.9	
FCB-8	8.0	$\Phi 9.8$	1.0~1.4	
FCB-10	10.0	$\Phi 9.8$	1.0~1.4	
FCB-10A	10.0	$\Phi 11.5$	1.4~2.0	
FCB-12	12.7	$\Phi 9.8$	1.0~1.4	
FCB-12A	12.7	$\Phi 9.9$	1.2~2.2	
FCB-14	13.9	$\Phi 9.9$	1.5~2.0	500
FCB-15	15.7	$\Phi 9.8$	1.6~2.2	



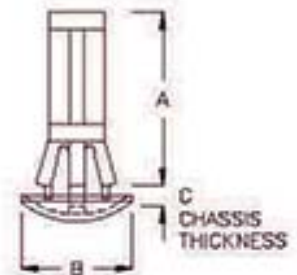
3-11-2



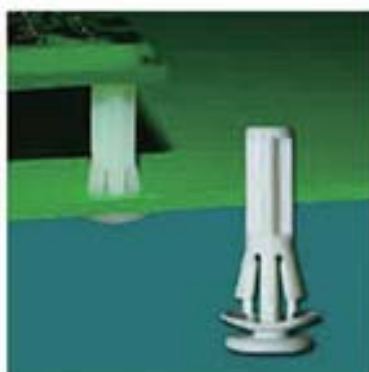
P.C.板間隔柱 SPACER SUPPORT

MATERIAL: NYLON 66(UL)
 FLAME CLASS: 94V-2
 COLOR: NATURAL
 HOLE IN CHASSIS: $\Phi 5.5$

PART NO	A	B	C CHASSIS THICKNESS	PACKAGE
FCT-14	14.0	$\Phi 9.8$	1.0~2.0	1000
FCT-19A	19.0	$\Phi 10.0$	0.8~1.6	



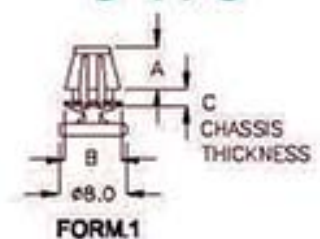
3-11-3



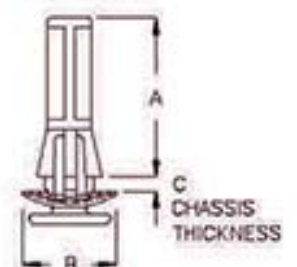
P.C.板間隔柱 SPACER SUPPORT

MATERIAL: NYLON 66(UL)
 FLAME CLASS: 94V-2
 COLOR: NATURAL
 HOLE IN CHASSIS: $\Phi 4.8$

PART NO	A	B	C CHASSIS THICKNESS	FORM	PACKAGE
FFR-05	5.0	$\Phi 6.75$	1.4~1.6	1	1000
FFR-15H	15.5	$\Phi 9.0$	1.4~1.6	2	



FORM 1

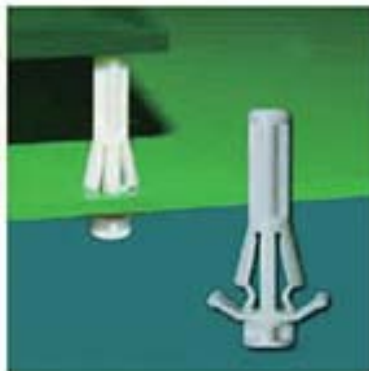


FORM 2

P.C.板間隔柱 SPACER SUPPORT

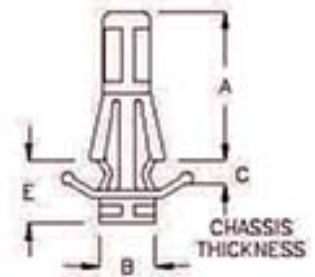
PINGOOD

3-12-1



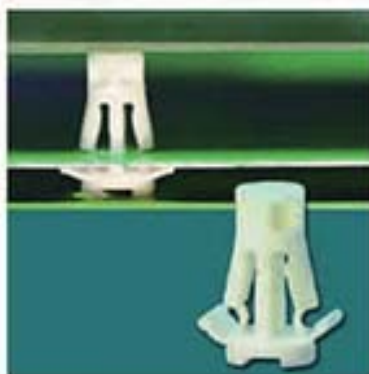
P.C.板間隔柱 SPACER SUPPORT

MATERIAL: NYLON 66(UL)
 FLAME CLASS: 94V-2
 COLOR: NATURAL
 HOLE IN CHASSIS: $\Phi 4.0$



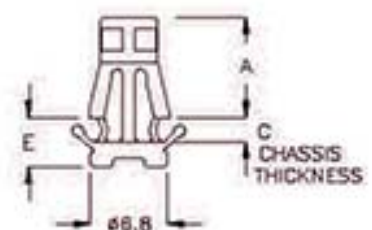
PART NO	A	B	C CHASSIS THICKNESS	E	PACKAGE
KDD-11	11.0	4.2	1.6	4.6	500
KDD-12C	12.5	4.2	1.6	4.1	
KDD-12MK	12.5	5.0	1.6	4.7	
KDD-12TS	12.5	5.0	1.6	5.5	
KDD-14C	14.6	4.2	1.6	5.1	
KDD-15A	15.0	5.0	1.6	4.6	
KDD-19	19.0	4.2	1.6	5.2	
KDD-22A	22.3	4.2	1.6	5.2	
KDD-24	24.0	5.0	1.6	4.6	

3-12-2



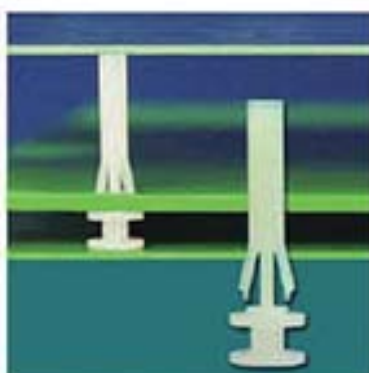
P.C.板間隔柱 SPACER SUPPORT

MATERIAL: NYLON 66(UL)
 FLAME CLASS: 94V-2
 COLOR: NATURAL
 HOLE IN CHASSIS: $\Phi 5.6$



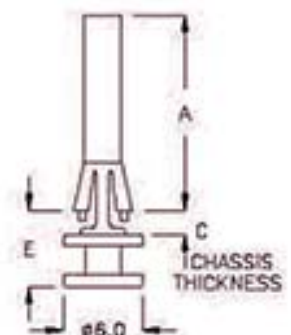
PART NO	A	C CHASSIS THICKNESS	E	PACKAGE
KDH-09	9.0	0.8~1.6	4.3	1000

3-12-3



P.C.板間隔柱 SPACER SUPPORT

MATERIAL: NYLON 66(UL)
 FLAME CLASS: 94V-2
 COLOR: NATURAL
 HOLE IN CHASSIS: $\Phi 3.5$

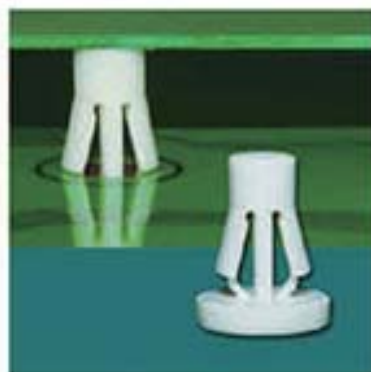


PART NO	A	C CHASSIS THICKNESS	E	PACKAGE
KDM-14K	15.0	1.4~1.6	5.8	500
KDM-18	16.0	1.4~1.6	5.8	2000

P.C.板間隔柱 SPACER SUPPORT

PINGOOD

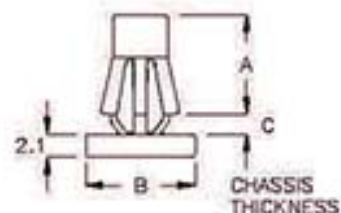
3-13-1



P.C.板間隔柱 SPACER SUPPORT

MATERIAL: NYLON 66(UL)
 FLAME CLASS: 94V-2
 COLOR: NATURAL
 HOLE IN CHASSIS: $\Phi 5.6$

PART NO	A	B	C CHASSIS THICKNESS	PACKAGE
SCQ-09	9.0	$\Phi 10.0$	1.6	1000



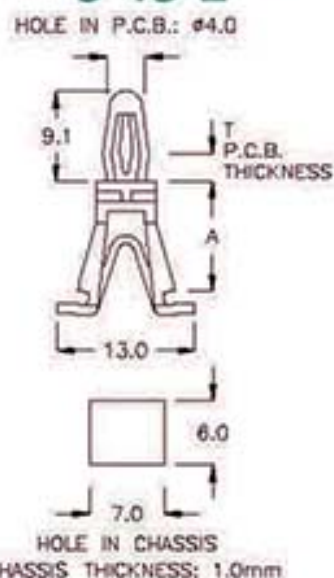
3-13-2



P.C.板間隔柱 SPACER SUPPORT

MATERIAL: NYLON 66(UL)
 FLAME CLASS: 94V-2
 COLOR: NATURAL

PART NO	A	T P.C.B. THICKNESS	PACKAGE
SK-011	11.0	1.6	1000



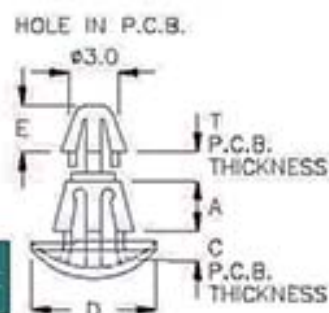
3-13-3



P.C.板間隔柱 SPACER SUPPORT

MATERIAL: NYLON 66(UL)
 FLAME CLASS: 94V-2
 COLOR: NATURAL
 HOLE IN CHASSIS: $\Phi 4.0$

PART NO	A	T P.C.B. THICKNESS	C CHASSIS THICKNESS	D	E	PACKAGE
SCK-2C	2.5	1.4~1.6	0.8~1.0	$\Phi 5.8$	2.7	2000
SCK-2K	2.5	1.6~1.9	0.8~1.0	$\Phi 5.8$	2.65	
SCK-3A	3.2	1.4~1.6	0.8~1.6	$\Phi 8.0$	3.0	1000
SCK-04	4.0	1.4~1.6	0.8~1.6	$\Phi 8.2$	3.1	
SCK-4AM	4.5	1.4~1.6	0.8~1.6	$\Phi 8.2$	3.1	
SCK-05	5.0	1.4~1.6	0.8~1.2	$\Phi 5.8$	3.1	
SCK-50N	5.5	1.4~1.6	1.4~1.6	$\Phi 8.2$	3.1	
SCK-06	6.0	1.4~1.6	0.8~1.6	$\Phi 8.2$	2.95	
SCK-07	7.0	1.4~1.6	1.4~1.6	$\Phi 8.2$	3.1	
SCK-08	8.0	1.4~1.6	0.8~1.6	$\Phi 8.2$	3.1	
SCK-10	10.0	1.4~1.6	0.8~1.6	$\Phi 8.2$	3.1	
SCK-12	12.0	1.4~1.6	0.8~1.6	$\Phi 8.0$	2.95	
★ SCK-16YT	16.0	1.4~1.6	1.4~1.6	$\Phi 8.0$	2.9	



P.C.板間隔柱 SPACER SUPPORT

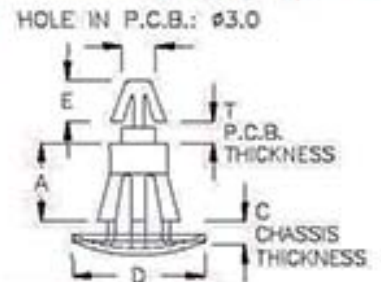
PINGOOD

3-14-1



P.C.板間隔柱 SPACER SUPPORT

MATERIAL: NYLON 66(UL)
 FLAME CLASS: 94V-2
 COLOR: NATURAL
 HOLE IN CHASSIS: $\Phi 5.5$



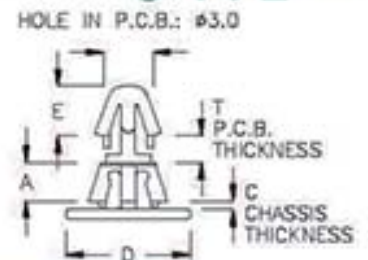
PART NO	A	T P.C.B. THICKNESS	C CHASSIS THICKNESS	D	E	PACKAGE
SCE-3A	3.5	1.2~1.7	1.1~1.7	$\Phi 11.45$	3.6	1000
SCE-4KD	4.8	1.2~1.7	1.1~1.6	$\Phi 11.45$	3.6	
SCE-6	6.35	1.2~1.7	1.1~1.6	$\Phi 11.45$	3.6	
SCE-07	7.0	1.2~1.7	1.1~1.6	$\Phi 11.45$	3.6	
SCE-8	8.0	1.2~1.7	1.1~1.6	$\Phi 11.45$	3.6	
SCE-10	9.7	1.2~1.7	1.1~1.6	$\Phi 11.45$	3.6	
SCE-10A	10.5	1.2~1.7	1.1~1.6	$\Phi 11.45$	3.6	500
SCE-10C	9.7	1.2~1.7	1.1~1.6	$\Phi 7.0$	3.6	
SCE-11	11.0	1.2~1.7	1.1~1.6	$\Phi 11.45$	3.6	

3-14-2



P.C.板間隔柱 SPACER SUPPORT

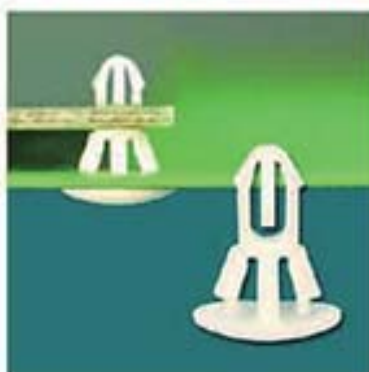
MATERIAL: NYLON 66(UL)
 FLAME CLASS: 94V-2
 COLOR: NATURAL
 HOLE IN CHASSIS: $\Phi 4.0$



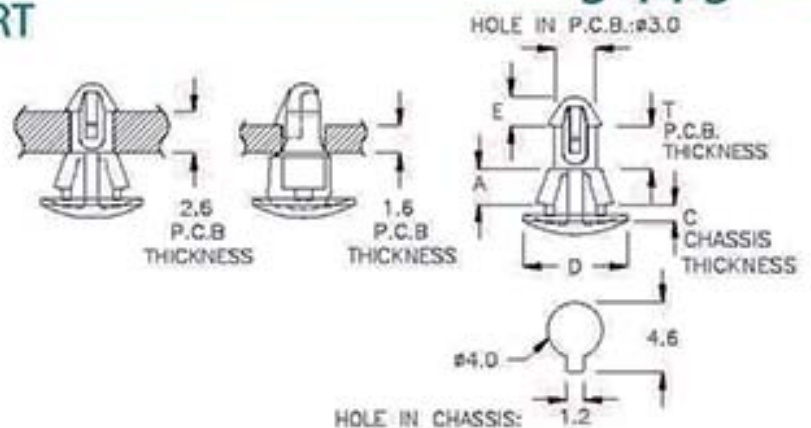
PART NO	A	T P.C.B. THICKNESS	C CHASSIS THICKNESS	D	E	PACKAGE
SCG-2A	2.5	1.6	0.5	$\Phi 8.0$	3.2	2000
SCG-3D	3.8	1.6	0.8	$\Phi 8.0$	3.2	
SCG-05	5.0	1.6	0.5	$\Phi 8.0$	3.2	

3-14-3

P.C.板間隔柱 SPACER SUPPORT



MATERIAL: NYLON 66(UL)
 FLAME CLASS: 94V-2
 COLOR: NATURAL

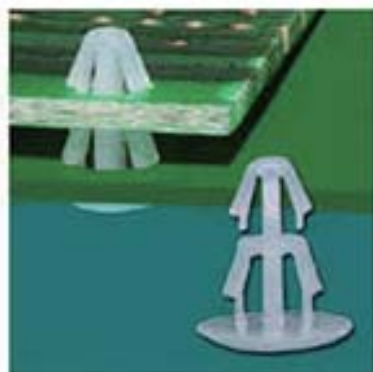


PART NO	A	T P.C.B. THICKNESS	C CHASSIS THICKNESS	D	E	PACKAGE
SCZ-2M	2.5	1.6	0.8~1.0	$\Phi 7.0$	2.0	2000
		2.6				

P.C.板間隔柱 SPACER SUPPORT

PINGOOD

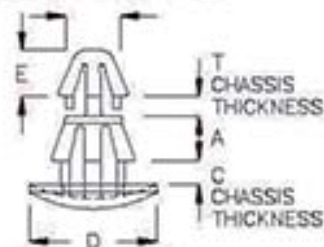
3-15-1



P.C.板間隔柱 SPACER SUPPORT

MATERIAL: NYLON 66(UL)
 FLAME CLASS: 94V-2
 COLOR: NATURAL
 HOLE IN CHASSIS: $\Phi 4.0$

HOLE IN P.C.B.: $\Phi 3.2$



PART NO	A	T P.C.B. THICKNESS	C CHASSIS THICKNESS	D	E	PACKAGE
SCK-20M	2.8	0.8~1.0	1.8	$\Phi 8.0$	3.0	2000

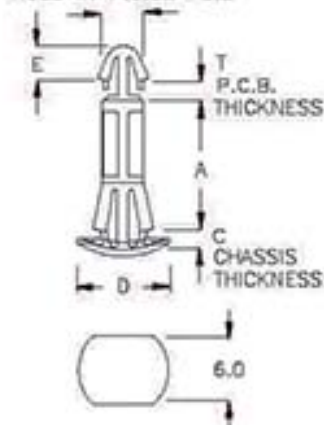
3-15-2



P.C.板間隔柱 SPACER SUPPORT

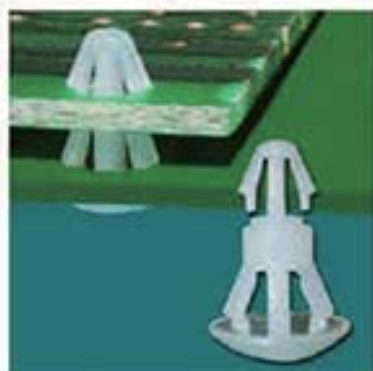
MATERIAL: NYLON 66(UL)
 FLAME CLASS: 94V-2
 COLOR: NATURAL
 HOLE IN CHASSIS: $\Phi 4.0$

HOLE IN P.C.B.: $\Phi 3.2$



PART NO	A	T P.C.B. THICKNESS	C CHASSIS THICKNESS	D	E	PACKAGE
SCX-15	15.0	1.6	1.0	$\Phi 8.0$	3.0	1000
SCX-35C	35.3	1.6	1.0	$\Phi 8.0$	3.0	500

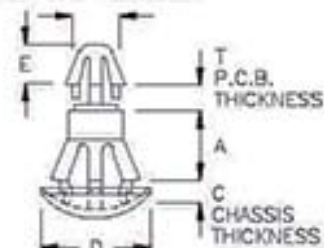
3-15-3



P.C.板間隔柱 SPACER SUPPORT

MATERIAL: NYLON 66(UL)
 FLAME CLASS: 94V-2
 COLOR: NATURAL
 HOLE IN CHASSIS: $\Phi 5.5$

HOLE IN P.C.B.: $\Phi 3.4$



PART NO	A	T P.C.B. THICKNESS	C CHASSIS THICKNESS	D	E	PACKAGE
SCW-05	5.0	1.2~1.6	0.6~1.2	$\Phi 8.0$	3.0	1000

P.C.板間隔柱 SPACER SUPPORT

PINGOOD

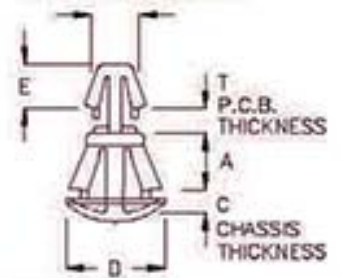
3-16-1



P.C.板間隔柱 SPACER SUPPORT

MATERIAL: NYLON 66(UL)
 FLAME CLASS: 94V-2
 COLOR: NATURAL
 HOLE IN CHASSIS: $\Phi 5.5$

HOLE IN P.C.B.: $\Phi 3.5$



PART NO	A	T P.C.B. THICKNESS	C CHASSIS THICKNESS	D	E	PACKAGE
SCS-4KP	4.5	1.6~1.8	0.8~1.0	$\Phi 7.8$	3.5	1000
SCU-11K	11.0	1.4~1.6	0.8~1.2	$\Phi 9.5$	2.8	

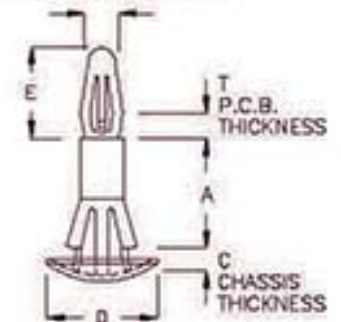
3-16-2



P.C.板間隔柱 SPACER SUPPORT

MATERIAL: NYLON 66(UL)
 FLAME CLASS: 94V-2
 COLOR: NATURAL
 HOLE IN CHASSIS: $\Phi 5.5$

HOLE IN P.C.B.: $\Phi 4.0$



PART NO	A	T P.C.B. THICKNESS	C CHASSIS THICKNESS	D	E	PACKAGE
SCD-10S	10.0	0.8~1.9	1.0~1.6	$\Phi 11.5$	9.65	500
SCD-12S	11.8	0.8~1.9	1.2~2.0	$\Phi 11.5$	9.65	

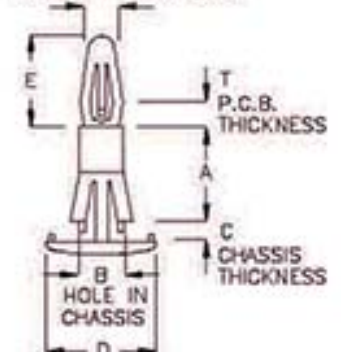
3-16-3



P.C.板間隔柱 SPACER SUPPORT

MATERIAL: NYLON 66(UL)
 FLAME CLASS: 94V-2
 COLOR: NATURAL

HOLE IN P.C.B.: $\Phi 4.0$

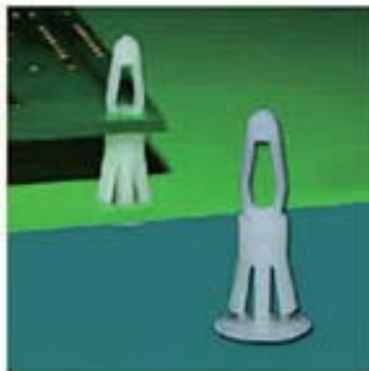


PART NO	A	B HOLE IN CHASSIS	T P.C.B. THICKNESS	C CHASSIS THICKNESS	D	E	PACKAGE
SCD-10	10.0	$\Phi 5.5$	1.2~1.7	1.0~1.6	$\Phi 11.4$	10.6	500
SCD-12	12.7	$\Phi 5.5$	1.2~1.7	1.0~1.5	$\Phi 12.8$	10.6	
SCD-15K	15.9	$\Phi 5.4$	1.2~1.6	1.5~1.8	$\Phi 12.7$	9.6	

P.C.板間隔柱 SPACER SUPPORT

PINGOOD

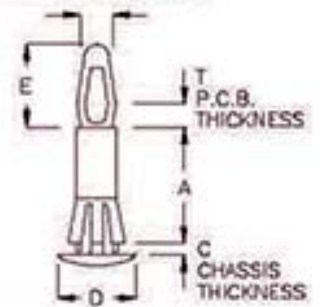
3-17-1



P.C.板間隔柱 SPACER SUPPORT

MATERIAL: NYLON 66(UL)
FLAME CLASS: 94V-2
COLOR: NATURAL
HOLE IN CHASSIS: $\Phi 5.5$

HOLE IN P.C.B.: $\Phi 4.0$



PART NO	A	T P.C.B. THICKNESS	C CHASSIS THICKNESS	D	E	PACKAGE
SCD-10A	10.0	1.2~1.6	1.0~1.1	$\Phi 10.0$	10.8	500
SCD-25	25.0	1.2~1.6	1.0~1.1	$\Phi 10.0$	10.6	

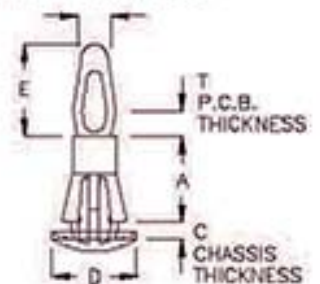
3-17-2



P.C.板間隔柱 SPACER SUPPORT

MATERIAL: NYLON 66(UL)
FLAME CLASS: 94V-2
COLOR: BLACK
HOLE IN CHASSIS: $\Phi 5.5$

HOLE IN P.C.B.: $\Phi 4.0$



PART NO	A	T P.C.B. THICKNESS	C CHASSIS THICKNESS	D	E	PACKAGE
SCY-10	10.0	1.2~1.6	1.2~1.6	$\Phi 9.85$	10.6	1000

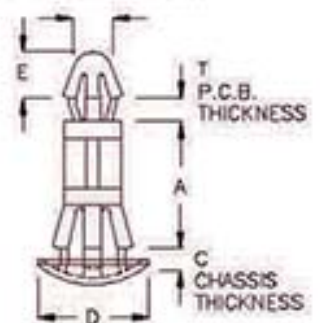
3-17-3



P.C.板間隔柱 SPACER SUPPORT

MATERIAL: NYLON 66(UL)
FLAME CLASS: 94V-2
COLOR: NATURAL
HOLE IN CHASSIS: $\Phi 5.5$

HOLE IN P.C.B.: $\Phi 4.0$

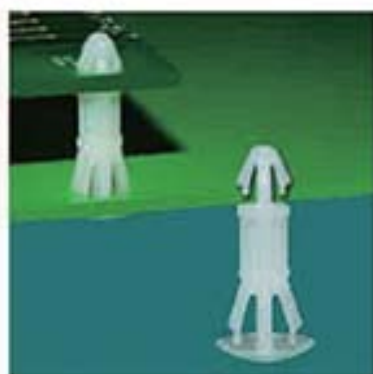


PART NO	A	T P.C.B. THICKNESS	C CHASSIS THICKNESS	D	E	PACKAGE
SCT-06	6.0	1.2~1.6	1.2~1.6	$\Phi 10.0$	4.0	1000
SCT-7	7.0	1.2~1.6	1.3~2.0	$\Phi 11.2$	4.0	
SCT-12A	12.0	1.2~1.6	1.1~2.0	$\Phi 9.9$	4.0	
SCT-13A	13.5	1.2~1.6	0.8~1.6	$\Phi 9.9$	4.0	
SCT-14	14.0	1.2~1.6	1.3~2.0	$\Phi 9.9$	4.0	
SCT-21A	21.7	1.2~1.6	0.8~1.6	$\Phi 9.9$	4.0	500

P.C.板間隔柱 SPACER SUPPORT

PINGOOD

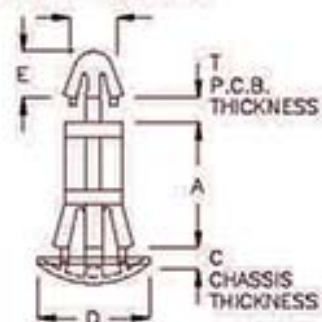
3-18-1



P.C.板間隔柱 SPACER SUPPORT

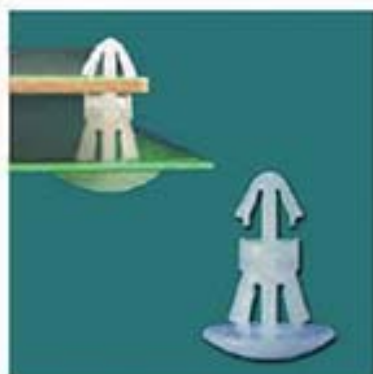
MATERIAL: NYLON 66(UL)
 FLAME CLASS: 94V-2
 COLOR: NATURAL
 HOLE IN CHASSIS: $\Phi 5.5$

HOLE IN P.C.B.: $\Phi 4.0$



PART NO	A	T P.C.B. THICKNESS	C CHASSIS THICKNESS	D	E	PACKAGE
SCT-3	3.0	1.2~1.6	0.8~1.6	$\Phi 9.8$	4.0	1000
SCT-3A	3.5	1.2~1.6	0.8~1.0	$\Phi 9.8$	3.6	
SCT-10	10.0	1.2~1.6	1.4~2.0	$\Phi 9.8$	4.5	

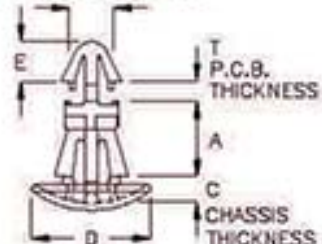
3-18-2



P.C.板間隔柱 SPACER SUPPORT

MATERIAL: NYLON 66(UL)
 FLAME CLASS: 94V-2
 COLOR: NATURAL
 HOLE IN CHASSIS: $\Phi 5.5$

HOLE IN P.C.B.: $\Phi 4.0$



PART NO	A	T P.C.B. THICKNESS	C CHASSIS THICKNESS	D	E	PACKAGE
SCT-7AF	7.0	1.2~1.6	1.2	$\Phi 11.1$	3.8	1000

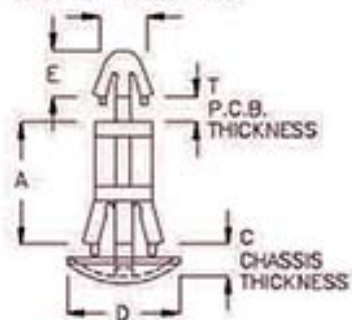
3-18-3



P.C.板間隔柱 SPACER SUPPORT

MATERIAL: NYLON 66(UL)
 FLAME CLASS: 94V-2
 COLOR: NATURAL
 HOLE IN CHASSIS: $\Phi 5.5$

HOLE IN P.C.B.: $\Phi 4.0$



PART NO	A	T P.C.B. THICKNESS	C CHASSIS THICKNESS	D	E	PACKAGE
SCT-05	5.0	1.2~1.6	1.4~2.0	$\Phi 9.8$	4.0	1000
SCT-6KT	6.35	1.2~1.6	1.4~2.0	$\Phi 9.8$	4.0	
SCT-08	8.0	1.2~1.6	1.4~2.0	$\Phi 9.8$	4.0	
SCT-8C	8.0	1.2~1.6	1.1~1.8	$\Phi 9.6$	4.0	
SCT-12C	11.9	1.2~1.6	1.1~1.8	$\Phi 9.7$	4.0	
SCT-1B	18.0	1.2~1.6	1.0~2.0	$\Phi 9.8$	4.0	
SCT-1BK	18.0	1.2~1.6	1.8~2.2	$\Phi 9.8$	4.0	

P.C.板間隔柱 SPACER SUPPORT

PINGOOD

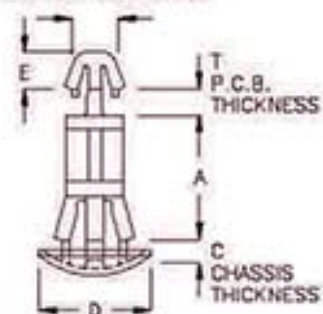
3-19-1



P.C.板間隔柱 SPACER SUPPORT

MATERIAL: NYLON 66(UL)
 FLAME CLASS: 94V-2
 COLOR: NATURAL
 HOLE IN CHASSIS: $\phi 5.5$

HOLE IN P.C.B.: $\phi 4.0$



PART NO	A	T P.C.B. THICKNESS	C CHASSIS THICKNESS	D	E	PACKAGE
SCT-10A	10.0	1.2~1.6	0.8~1.6	$\phi 10.0$	3.2	1000
SCT-19	19.0	1.2~1.6	0.8~1.6	$\phi 10.0$	3.2	
SCT-19A	19.0	1.2~1.6	0.6	$\phi 10.0$	3.4	

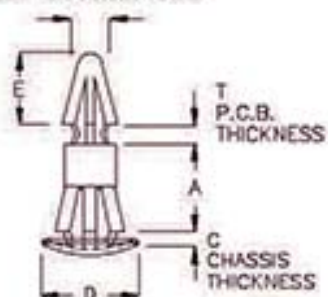
3-19-2



P.C.板間隔柱 SPACER SUPPORT

MATERIAL: NYLON 66(UL)
 FLAME CLASS: 94V-2
 COLOR: NATURAL
 HOLE IN CHASSIS: $\phi 5.5$

HOLE IN P.C.B.: $\phi 4.0$

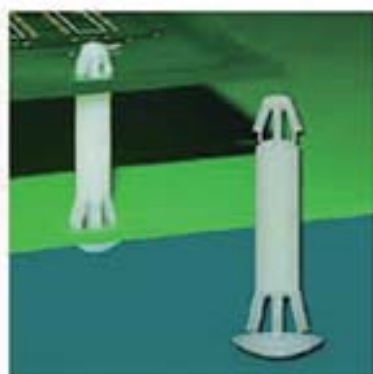


PART NO	A	T P.C.B. THICKNESS	C CHASSIS THICKNESS	D	E	PACKAGE
SCB-5	5.0	1.2~1.6	0.8~1.4	$\phi 10.0$	7.4	1000
SCB-5.5	5.5	1.2~1.6	0.8~1.7	$\phi 10.0$	7.1	
SCB-6	6.35	1.2~1.6	0.8~1.2	$\phi 10.0$	7.5	
SCB-6A	6.5	1.4~1.8	0.8~1.7	$\phi 10.1$	7.1	
SCB-6F	6.5	1.2~1.6	1.0~1.7	$\phi 10.0$	4.9	
SCB-8	8.0	1.2~1.6	0.8~1.4	$\phi 9.9$	7.1	
SCB-8A	8.0	1.2~1.6	0.8~1.1	$\phi 10.1$	7.4	
SCB-9A	9.0	1.2~1.8	0.8~1.4	$\phi 10.0$	7.3	
SCB-10	10.0	1.2~1.6	0.8~1.2	$\phi 10.0$	7.6	
SCB-10A	10.0	1.5~2.4	1.0~1.4	$\phi 10.0$	7.1	
SCB-11F	11.0	1.2~1.6	0.8~1.2	$\phi 9.9$	7.3	
SCB-12	12.4	1.2~1.6	0.8~1.4	$\phi 9.9$	7.2	
SCB-15	15.6	1.2~1.6	0.8~1.4	$\phi 9.8$	7.3	
SCB-16	16.2	1.2~1.6	0.7~1.2	$\phi 9.8$	6.6	
SCB-19	19.0	1.2~1.6	0.8~1.4	$\phi 9.9$	7.5	500
SCB-24	24.0	1.2~1.6	0.8~1.4	$\phi 9.8$	7.5	
SCB-28A	28.3	1.4~1.8	0.8~1.0	$\phi 10.0$	6.4	

P.C.板間隔柱 SPACER SUPPORT

PINGOOD

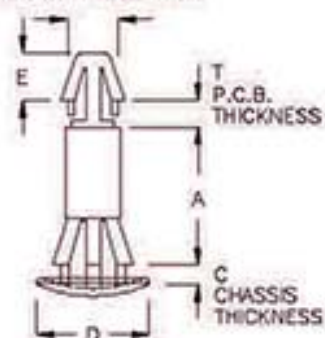
3-20-1



P.C.板間隔柱 SPACER SUPPORT

MATERIAL: NYLON 66(UL)
 FLAME CLASS: 94V-2
 COLOR: NATURAL
 HOLE IN CHASSIS: $\Phi 5.5$

HOLE IN P.C.B.: $\Phi 4.5$



PART NO	A	T P.C.B. THICKNESS	C CHASSIS THICKNESS	D	E	PACKAGE
SCC-21	21.0	1.4~1.6	0.8~1.0	$\Phi 10.0$	4.0	1000

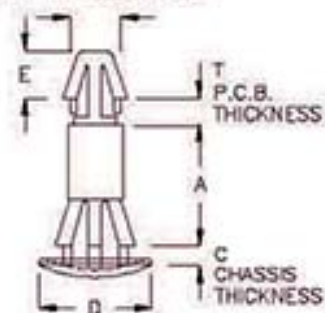
3-20-2



P.C.板間隔柱 SPACER SUPPORT

MATERIAL: NYLON 66(UL)
 FLAME CLASS: 94V-2
 COLOR: NATURAL
 HOLE IN CHASSIS: $\Phi 5.5$

HOLE IN P.C.B.: $\Phi 4.0$



PART NO	A	T P.C.B. THICKNESS	C CHASSIS THICKNESS	D	E	PACKAGE
SCC-3	3.5	1.2~1.6	1.6~2.2	$\Phi 11.45$	4.0	1000
SCC-3A	3.1	1.5~1.7	1.8~2.2	$\Phi 11.45$	4.0	
SCC-3C	3.5	1.8~2.3	1.8~2.2	$\Phi 11.45$	4.0	
SCC-5	5.0	1.2~1.6	1.6~2.2	$\Phi 11.45$	4.0	
SCC-6	6.35	1.4~1.9	1.6~2.2	$\Phi 11.45$	4.0	
SCC-8	8.2	1.3~1.7	1.6~2.2	$\Phi 11.45$	4.0	
SCC-8D	7.9	1.3~1.7	1.6~2.2	$\Phi 11.45$	4.0	
SCC-10	10.0	1.4~1.8	1.6~2.2	$\Phi 11.45$	4.0	
SCC-10A	10.0	1.8~2.2	1.6~2.2	$\Phi 11.45$	4.0	
SCC-10C	10.0	2.8~3.2	1.6~2.2	$\Phi 11.45$	4.0	
SCC-12	12.7	1.2~1.6	1.6~2.2	$\Phi 11.45$	4.0	
SCC-15	15.7	1.3~1.7	1.6~2.2	$\Phi 11.45$	4.0	
SCC-19	19.0	1.6~1.8	1.6~2.2	$\Phi 11.45$	4.0	
SCC-19A	19.1	1.6~2.0	1.6~2.2	$\Phi 11.45$	4.0	
SCC-20	20.0	1.2~1.6	1.6~2.2	$\Phi 11.45$	4.0	500
SCC-24	23.8	1.3~1.7	1.6~2.0	$\Phi 11.45$	4.0	
SCC-26A	25.8	1.4~1.6	1.7~2.3	$\Phi 11.45$	4.0	
SCC-32	32.0	1.4~1.6	1.7~2.3	$\Phi 11.45$	4.0	

P.C.板間隔柱 SPACER SUPPORT

PINGOOD

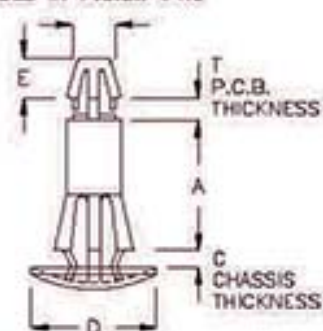
3-21-1



P.C.板間隔柱 SPACER SUPPORT

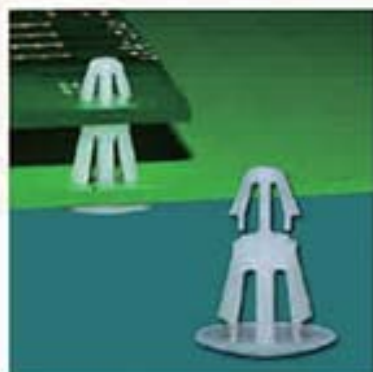
MATERIAL: NYLON 66(UL)
FLAME CLASS: 94V-2
COLOR: NATURAL
HOLE IN CHASSIS: $\Phi 5.6$

HOLE IN P.C.B.: $\Phi 4.0$



PART NO	A	T P.C.B. THICKNESS	C CHASSIS THICKNESS	D	E	PACKAGE
SCC-34	34.0	1.4~1.6	1.6~1.8	$\Phi 11.4$	3.6	500

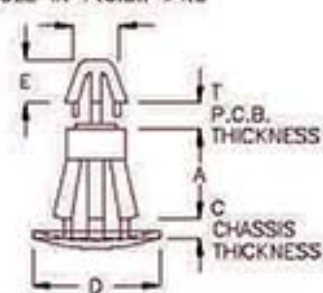
3-21-2



P.C.板間隔柱 SPACER SUPPORT

MATERIAL: NYLON 66(UL)
FLAME CLASS: 94V-2
COLOR: NATURAL
HOLE IN CHASSIS: $\Phi 6.0$

HOLE IN P.C.B.: $\Phi 4.0$



PART NO	A	T P.C.B. THICKNESS	C CHASSIS THICKNESS	D	E	PACKAGE
SCF-5	5.0	1.2~1.7	0.8~1.6	$\Phi 11.55$	4.0	1000
SCF-06	6.35	1.2~1.7	0.8~1.6	$\Phi 11.55$	4.1	
SCF-8	8.0	1.2~1.7	0.8~1.6	$\Phi 11.55$	4.0	500
SCF-10	10.0	1.2~1.7	0.8~1.6	$\Phi 11.55$	4.1	
SCF-12	12.7	1.2~1.7	0.8~1.6	$\Phi 11.55$	4.0	
SCF-15AP	15.9	1.2~1.7	0.8~2.0	$\Phi 11.0$	3.0	
SCF-21J	21.6	1.2~1.6	0.6~0.8	$\Phi 11.55$	4.0	

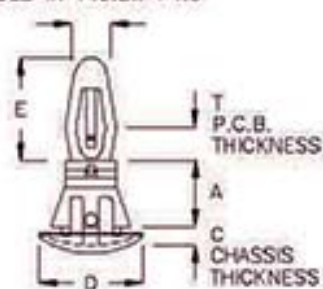
3-21-3



P.C.板間隔柱 SPACER SUPPORT

MATERIAL: NYLON 66(UL)
FLAME CLASS: 94V-2
COLOR: NATURAL
HOLE IN CHASSIS: $\Phi 6.0$

HOLE IN P.C.B.: $\Phi 4.0$



PART NO	A	T P.C.B. THICKNESS	C CHASSIS THICKNESS	D	E	PACKAGE
SCD-6A	6.4	1.2~1.7	0.8~1.2	$\Phi 10.0$	10.1	1000

P.C.板間隔柱 SPACER SUPPORT

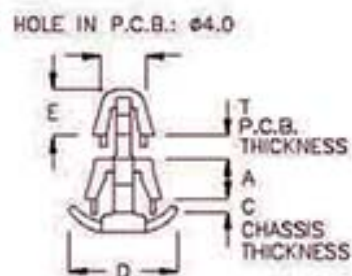
PINGOOD

3-22-1



P.C.板間隔柱 SPACER SUPPORT

MATERIAL: NYLON 66(UL)
 FLAME CLASS: 94V-2
 COLOR: NATURAL
 HOLE IN CHASSIS: $\Phi 5.5$



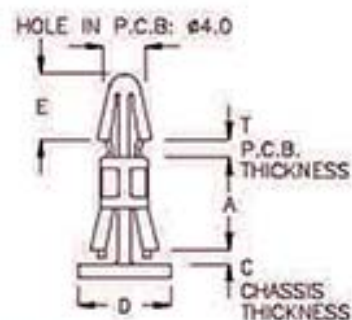
PART NO	A	T P.C.B. THICKNESS	C CHASSIS THICKNESS	D	E	PACKAGE
SCP-3A	3.5	1.4~1.6	0.5~0.8	$\Phi 9.5$	4.0	2000

3-22-2



P.C.板間隔柱 SPACER SUPPORT

MATERIAL: NYLON 66(UL)
 FLAME CLASS: 94V-2
 COLOR: NATURAL
 HOLE IN CHASSIS: $\Phi 5.5$



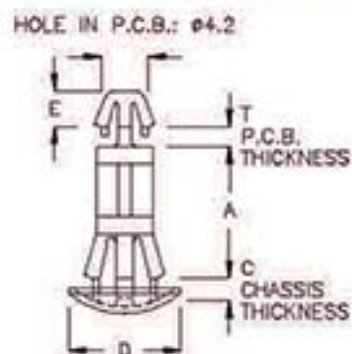
PART NO	A	T P.C.B. THICKNESS	C CHASSIS THICKNESS	D	E	PACKAGE
SDA-10	10.0	1.2~1.6	0.8~1.2	$\Phi 10.0$	7.1	1000

3-22-3



P.C.板間隔柱 SPACER SUPPORT

MATERIAL: NYLON 66(UL)
 FLAME CLASS: 94V-2
 COLOR: NATURAL
 HOLE IN CHASSIS: $\Phi 5.5$

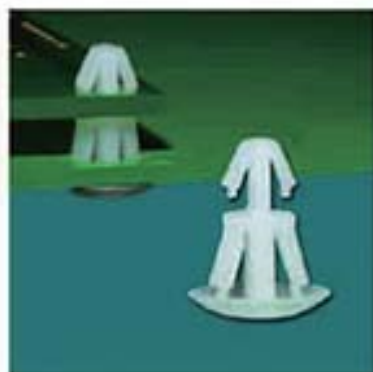


PART NO	A	T P.C.B. THICKNESS	C CHASSIS THICKNESS	D	E	PACKAGE
SCM-18	18.0	1.0	0.6~0.8	$\Phi 10.0$	3.3	500
SCM-25	25.0	1.6	0.6~0.8	$\Phi 10.0$	2.7	

P.C.板間隔柱 SPACER SUPPORT

PINGOOD

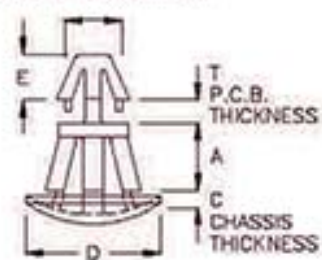
3-23-1



P.C.板間隔柱 SPACER SUPPORT

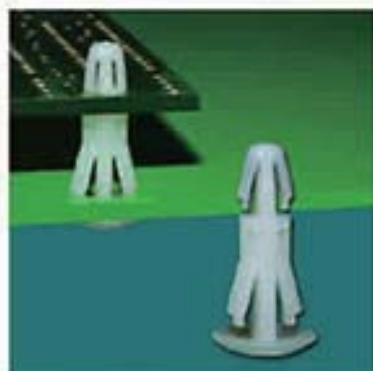
MATERIAL: NYLON 66(UL)
 FLAME CLASS: 94V-2
 COLOR: NATURAL
 HOLE IN CHASSIS: $\Phi 5.5$

HOLE IN P.C.B.: $\Phi 4.2$



PART NO	A	T P.C.B. THICKNESS	C CHASSIS THICKNESS	D	E	PACKAGE
SCM-05	5.0	1.6	0.8	$\Phi 10.0$	3.3	1000

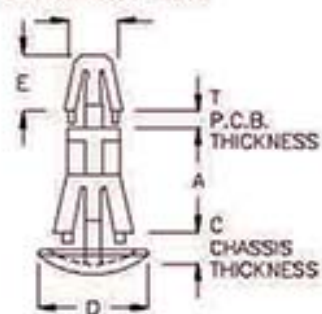
3-23-2



P.C.板間隔柱 SPACER SUPPORT

MATERIAL: NYLON 66(UL)
 FLAME CLASS: 94V-2
 COLOR: NATURAL
 HOLE IN CHASSIS: $\Phi 5.5$

HOLE IN P.C.B.: $\Phi 4.3$



PART NO	A	T P.C.B. THICKNESS	C CHASSIS THICKNESS	D	E	PACKAGE
SCL-9	9.0	1.1	1.5~1.8	$\Phi 9.5$	5.1	500

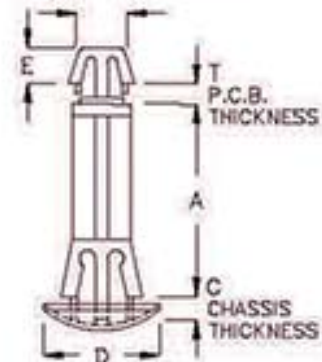
3-23-3



P.C.板間隔柱 SPACER SUPPORT

MATERIAL: NYLON 66(UL)
 FLAME CLASS: 94V-2
 COLOR: NATURAL
 HOLE IN CHASSIS: $\Phi 5.5$

HOLE IN P.C.B.: $\Phi 4.5$

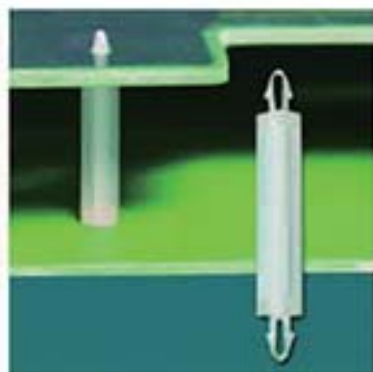


PART NO	A	T P.C.B. THICKNESS	C CHASSIS THICKNESS	D	E	PACKAGE
SCA-19	19.0	1.6	0.8	$\Phi 10.0$	3.1	1000

P.C.板間隔柱 SPACER SUPPORT

PINGOOD

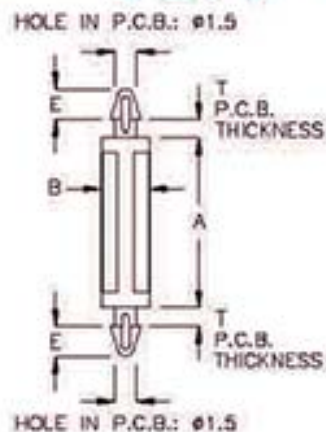
3-24-1



P.C.板間隔柱 SPACER SUPPORT

MATERIAL: NYLON 66(UL)
FLAME CLASS: 94V-2
COLOR: NATURAL

PART NO	A	B	T P.C.B. THICKNESS	E	PACKAGE
MCL-14	14.0	φ3.2	1.0	2.0	2000



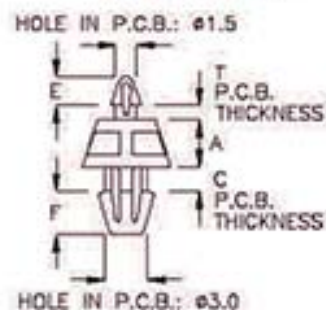
3-24-2



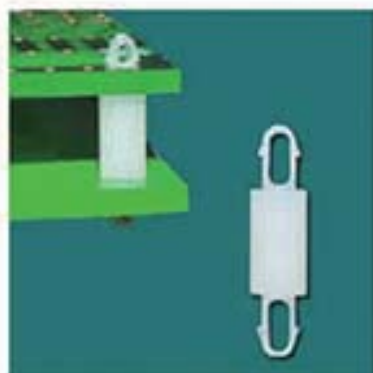
P.C.板間隔柱 SPACER SUPPORT

MATERIAL: NYLON 66(UL)
FLAME CLASS: 94V-2
COLOR: NATURAL

PART NO	A	T P.C.B. THICKNESS	C P.C.B. THICKNESS	E	F	PACKAGE
KHA-3A	3.2	0.8	1.6	2.0	2.95	2000



3-24-3

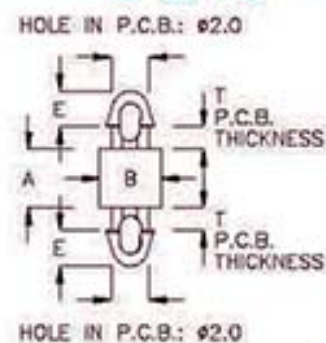


P.C.板間隔柱 SPACER SUPPORT

MATERIAL: NYLON 66(UL)
FLAME CLASS: 94V-2
COLOR: NATURAL

PART NO	A	B	T P.C.B. THICKNESS	E	PACKAGE
MCS-2A	2.2	φ3.2	1.0	1.85	2000
MCS-2F	2.2	φ3.2	1.6	1.85	
MCS-03	3.0	φ3.2	1.0	1.95	
MCS-3DF	3.5	φ3.2	1.0	1.85	
MCS-04	4.0	φ3.2	1.0	1.85	
MCS-4A	4.5	φ3.2	1.0	1.85	
MCS-4C	4.0	φ3.2	1.6	1.85	
MCS-4F	4.5	φ3.2	1.6	1.85	
MCS-05	5.0	φ3.2	1.0	1.85	
MCS-5A	5.5	φ3.2	1.0	1.85	

PART NO	A	B	T P.C.B. THICKNESS	E	PACKAGE
MCS-5C	5.0	φ3.2	1.6	1.85	2000
MCS-5F	5.5	φ3.2	1.6	1.85	
MCS-06	6.0	φ3.2	1.0	1.85	
MCS-6A	6.5	φ3.2	1.0	1.85	
MCS-6C	6.0	φ3.2	1.6	1.85	
MCS-6F	6.5	φ3.2	1.6	1.85	
MCS-08	8.0	φ3.2	1.0	1.85	
MCS-8C	8.0	φ3.2	1.6	1.85	
MCS-10A	10.5	φ3.2	1.6	2.1	
MCS-18	18.2	φ3.0	1.0	1.5	
MCS-22	22.0	φ3.2	1.6	2.0	



P.C.板間隔柱 SPACER SUPPORT

PINGOOD

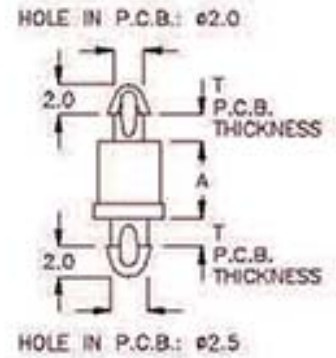
3-25-1



P.C.板間隔柱 SPACER SUPPORT

MATERIAL: NYLON 66(UL)
FLAME CLASS: 94V-2
COLOR: NATURAL

PART NO	A	T P.C.B. THICKNESS	PACKAGE
MEA-2M	2.5	1.6	2000
MEA-4M	4.5	1.6	
MEA-05	5.0	1.6	
MEA-5M	5.5	1.6	
MEA-6M	6.5	1.6	



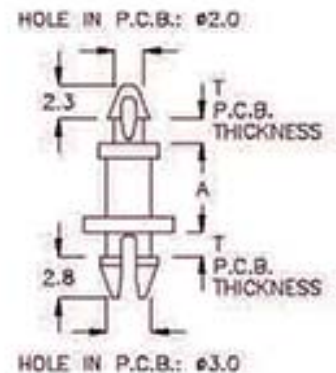
3-25-2



P.C.板間隔柱 SPACER SUPPORT

MATERIAL: NYLON 66(UL)
FLAME CLASS: 94V-2
COLOR: NATURAL

PART NO	A	T P.C.B. THICKNESS	PACKAGE
MCJ-6	6.0	1.6	2000



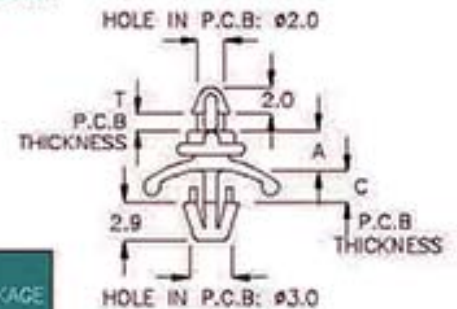
3-25-3



P.C.板間隔柱 SPACER SUPPORT

MATERIAL: NYLON 66(UL)
FLAME CLASS: 94V-2
COLOR: NATURAL

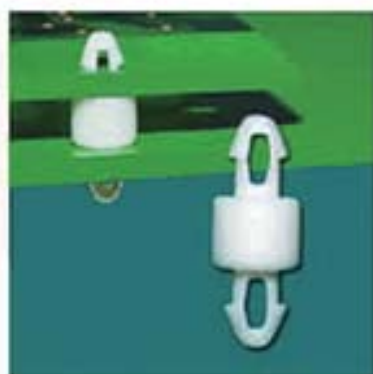
PART NO	A	T P.C.B. THICKNESS	C P.C.B. THICKNESS	PACKAGE
LBK-04	3.0	0.8~1.0	0.8~1.6	2000



P.C.板間隔柱 SPACER SUPPORT

PINGOOD

3-26-1

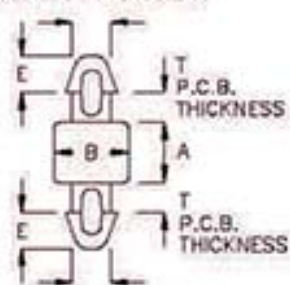


P.C.板間隔柱 SPACER SUPPORT

MATERIAL: NYLON 66(UL)
FLAME CLASS: 94V-2
COLOR: NATURAL

PART NO.	A	B	T P.C.B. THICKNESS	E	PACKAGE
MCK-3A	3.5	ø4.4	1.7	2.2	2000

HOLE IN P.C.B.: ø2.3



HOLE IN P.C.B.: ø2.3

3-26-2

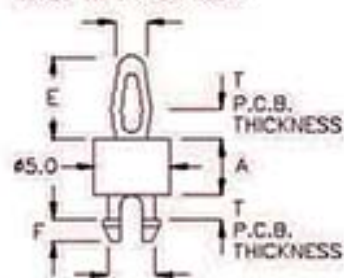


P.C.板間隔柱 SPACER SUPPORT

MATERIAL: NYLON 66(UL)
FLAME CLASS: 94V-2
COLOR: NATURAL

PART NO.	A	T P.C.B. THICKNESS	E	F	PACKAGE
MCA-4	3.8	0.8~1.6	5.8	1.5	2000
MCA-06	6.0	0.8~1.6	5.8	1.4	

HOLE IN P.C.B.: ø2.3



HOLE IN P.C.B.: ø3.3

3-26-3

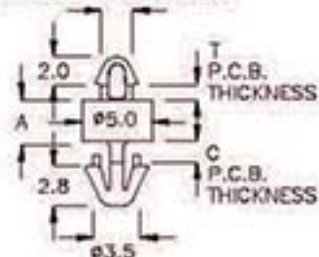


P.C.板間隔柱 SPACER SUPPORT

MATERIAL: NYLON 66(UL)
FLAME CLASS: 94V-2
COLOR: NATURAL

PART NO.	A	T P.C.B. THICKNESS	C P.C.B. THICKNESS	PACKAGE
MEG-03	3.0	0.9	1.8	2000
MEG-06	6.0	1.6	2.3	

HOLE IN P.C.B.: ø2.3



HOLE IN P.C.B.

P.C.板間隔柱 SPACER SUPPORT

PINGOOD

3-27-1



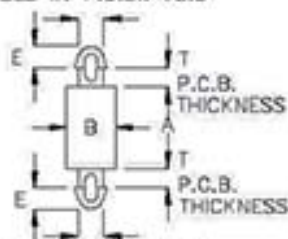
P.C.板間隔柱 SPACER SUPPORT

MATERIAL: NYLON 66(UL)

FLAME CLASS: 94V-2

COLOR: NATURAL

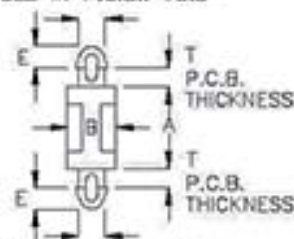
HOLE IN P.C.B.: $\phi 2.5$



HOLE IN P.C.B.: $\phi 2.5$

FORM1

HOLE IN P.C.B.: $\phi 2.5$



HOLE IN P.C.B.: $\phi 2.5$

FORM2

PART NO	A	B	E	T	FORM	PACKAGE
MCD2-2	2.0	$\phi 4.5$	2.2	1.2~1.6	1	2000
MCD2-2M	2.5	$\phi 4.5$	2.0	1.2~1.6	1	
MCD2-3	3.0	$\phi 4.5$	2.2	1.2~1.6	1	
MCD2-3A	3.2	$\phi 4.3$	2.2	1.2~1.6	1	
MCD2-3M	3.5	$\phi 4.5$	2.0	1.2~1.6	1	
MCD2-4	4.0	$\phi 4.5$	2.2	1.2~1.6	1	
MCD2-4M	4.5	$\phi 4.5$	2.1	1.2~1.6	1	
MCD2-5	5.0	$\phi 4.5$	2.2	1.2~1.6	1	
MCD2-5M	5.5	$\phi 4.5$	2.0	1.2~1.6	1	

PART NO	A	B	E	T	FORM	PACKAGE
MCD2-6	6.0	$\phi 4.6$	2.2	1.2~1.6	1	2000
MCD2-6M	6.5	$\phi 4.5$	2.0	1.2~1.6	1	
MCD2-7	7.0	$\phi 4.5$	2.4	1.2~1.6	1	
MCD2-7A	7.5	$\phi 4.5$	2.2	1.6~1.8	2	
MCD2-8	8.0	$\phi 4.5$	2.2	1.2~1.6	1	
MCD2-9M	9.5	$\phi 4.5$	2.0	1.2~1.6	1	1000
MCD2-10	10.0	$\phi 4.5$	2.2	1.2~1.6	1	
MCD2-12	12.0	$\phi 4.5$	2.2	1.2~1.6	1	
MCD2-20	20.0	$\phi 4.5$	2.0	1.2~1.6	2	

3-27-2



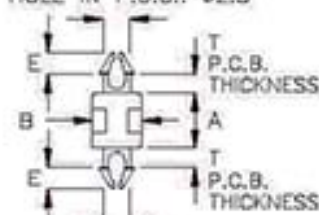
P.C.板間隔柱 SPACER SUPPORT

MATERIAL: NYLON 66(UL)

FLAME CLASS: 94V-2

COLOR: NATURAL

HOLE IN P.C.B.: $\phi 2.5$



HOLE IN P.C.B.: $\phi 2.5$

PART NO	A	B	E	T P.C.B. THICKNESS	PACKAGE
UCX-5K	5.0	$\phi 4.5$	2.0	1.2~1.6	2000

3-27-3



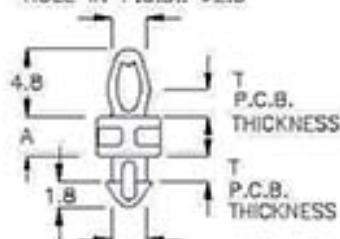
P.C.板間隔柱 SPACER SUPPORT

MATERIAL: NYLON 66(UL)

FLAME CLASS: 94V-2

COLOR: NATURAL

HOLE IN P.C.B.: $\phi 2.5$



HOLE IN P.C.B.: $\phi 2.5$

PART NO	A	T P.C.B. THICKNESS	PACKAGE
MQD-2DK	2.8	1.4~1.6	2000

P.C.板間隔柱 SPACER SUPPORT

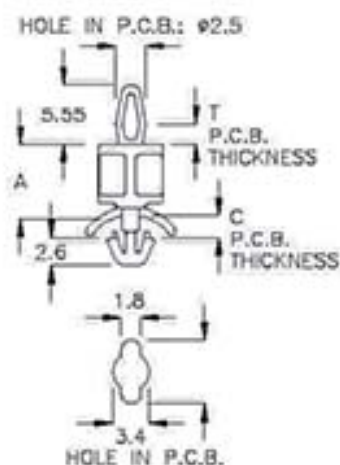
PINGOOD

3-28-1



P.C.板間隔柱 SPACER SUPPORT

MATERIAL: NYLON 66(UL)
FLAME CLASS: 94V-2
COLOR: NATURAL



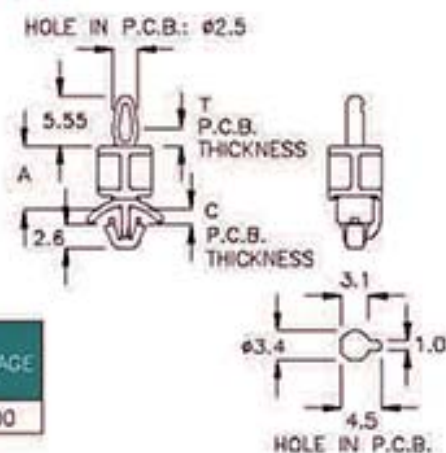
PART NO	A	T P.C.B. THICKNESS	C P.C.B. THICKNESS	PACKAGE
LCY-7MR	7.0	1.6	1.0~1.6	1000

3-28-2



P.C.板間隔柱 SPACER SUPPORT

MATERIAL: NYLON 66(UL)
FLAME CLASS: 94V-2
COLOR: NATURAL



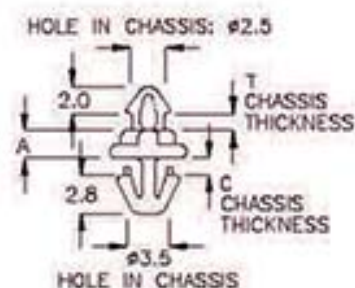
PART NO	A	T P.C.B. THICKNESS	C P.C.B. THICKNESS	PACKAGE
LCY-7SA	7.0	1.6	1.0~1.6	1000

3-28-3



P.C.板間隔柱 SPACER SUPPORT

MATERIAL: NYLON 66(UL)
FLAME CLASS: 94V-2
COLOR: NATURAL



PART NO	A	T CHASSIS THICKNESS	C CHASSIS THICKNESS	PACKAGE
MEH-02	2.0	1.0	1.0	2000

P.C.板間隔柱 SPACER SUPPORT

PINGOOD

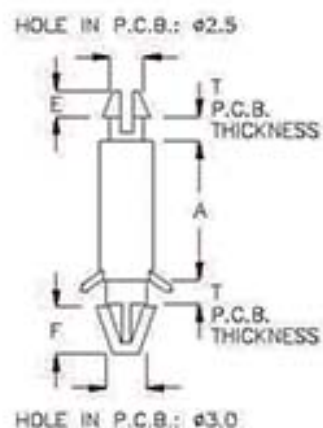
3-29-1



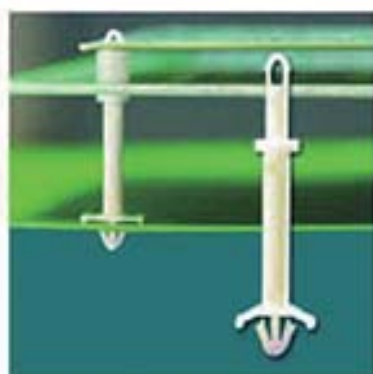
P.C.板間隔柱 SPACER SUPPORT

MATERIAL: NYLON 66(UL)
FLAME CLASS: 94V-2
COLOR: NATURAL

PART NO	A	T P.C.B. THICKNESS	E	F	PACKAGE
LCA2-5	5.0	1.0~1.7	1.7	3.3	2000
LCA2-8	7.7	1.0~1.7	1.7	3.3	
LCA2-9	9.0	1.0~1.7	1.7	3.3	
LCA2-10	9.9	1.0~1.7	1.7	3.3	
LCA2-12	11.6	1.0~1.7	1.7	3.3	
LCA2-14	13.6	1.0~1.7	1.6	3.3	
LCA2-16	15.7	1.0~1.7	1.7	3.3	



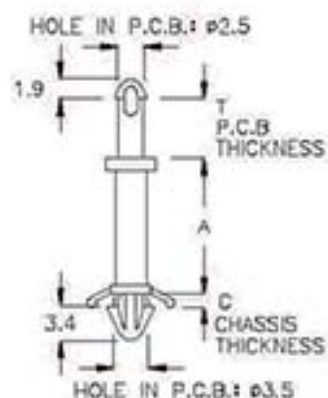
3-29-2



P.C.板間隔柱 SPACER SUPPORT

MATERIAL: NYLON 66(UL)
FLAME CLASS: 94V-2
COLOR: NATURAL, BLACK

PART NO	A	T P.C.B. THICKNESS	C CHASSIS THICKNESS	PACKAGE
LCJ-19	19.0	7.4	0.3~0.6	500



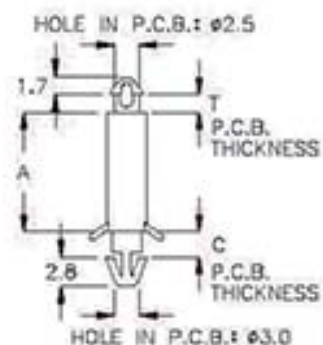
3-29-3



P.C.板間隔柱 SPACER SUPPORT

MATERIAL: NYLON 66(UL)
FLAME CLASS: 94V-2
COLOR: NATURAL

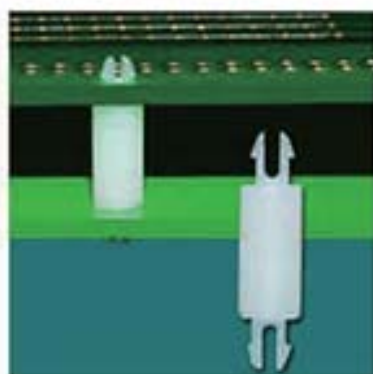
PART NO	A	T P.C.B. THICKNESS	C P.C.B. THICKNESS	PACKAGE
LCR-11A	11.6	1.6	2.0	1000



P.C.板間隔柱 SPACER SUPPORT

PINGOOD

3-30-1



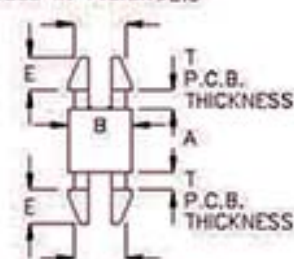
P.C.板間隔柱 SPACER SUPPORT

MATERIAL: NYLON 66(UL)

FLAME CLASS: 94V-2

COLOR: NATURAL

HOLE IN P.C.B.: $\phi 2.5$



HOLE IN P.C.B.: $\phi 2.5$

PART NO	A	B	T P.C.B. THICKNESS	E	PACKAGE
UCF-03	3.0	$\phi 3.0$	0.8	1.5	2000
UCF-9H	9.5	$\phi 4.5$	1.6	1.8	1000

3-30-2



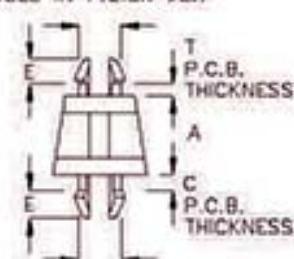
P.C.板間隔柱 SPACER SUPPORT

MATERIAL: NYLON 66(UL)

FLAME CLASS: 94V-2

COLOR: NATURAL

HOLE IN P.C.B.: $\phi 2.7$



HOLE IN P.C.B.: $\phi 2.8$

PART NO	A	T P.C.B. THICKNESS	C P.C.B. THICKNESS	E	PACKAGE
UCC-05	5.0	0.8	1.0	1.6	2000

3-30-3



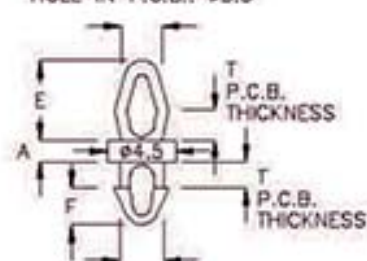
P.C.板間隔柱 SPACER SUPPORT

MATERIAL: NYLON 66(UL)

FLAME CLASS: 94V-2

COLOR: NATURAL

HOLE IN P.C.B.: $\phi 3.0$



HOLE IN P.C.B.: $\phi 3.0$

PART NO	A	T P.C.B. THICKNESS	E	F	PACKAGE
MCM-2A	1.4	1.4~1.6	5.4	2.4	2000
MCM-02	2.0	1.4~1.6	5.3	2.4	

P.C.板間隔柱 SPACER SUPPORT

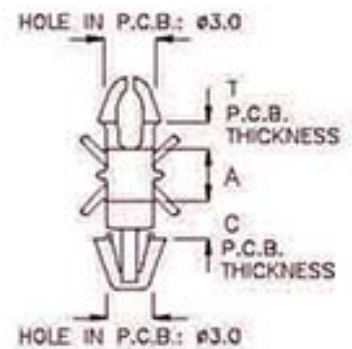
PINGOOD

3-31-1



P.C.板間隔柱 SPACER SUPPORT

MATERIAL: NYLON 66(UL)
FLAME CLASS: 94V-2
COLOR: NATURAL



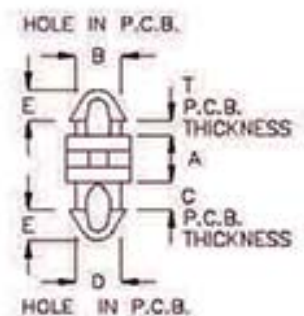
PART NO	A	T P.C.B. THICKNESS	C P.C.B. THICKNESS	PACKAGE
LCX-3A	3.25	0.8~1.0	1.4~1.6	2000

3-31-2



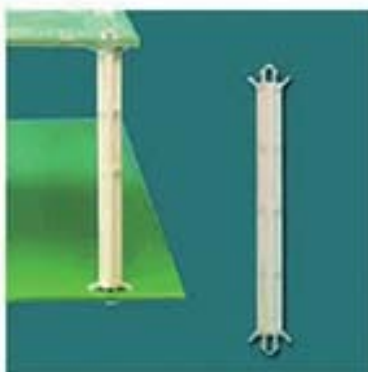
P.C.板間隔柱 SPACER SUPPORT

MATERIAL: NYLON 66(UL)
FLAME CLASS: 94V-2
COLOR: NATURAL



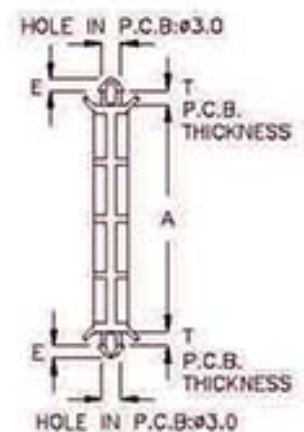
PART NO	A	B	D	T P.C.B. THICKNESS	C P.C.B. THICKNESS	E	PACKAGE
MCL-03	3.0	ø3.0	ø3.0	0.8	1.6	2.1	2000
MCL-18	18.0	ø1.5	ø1.5	1.0	1.0	2.2	

3-31-3



P.C.板間隔柱 SPACER SUPPORT

MATERIAL: NYLON 66(UL)
FLAME CLASS: 94V-2
COLOR: NATURAL

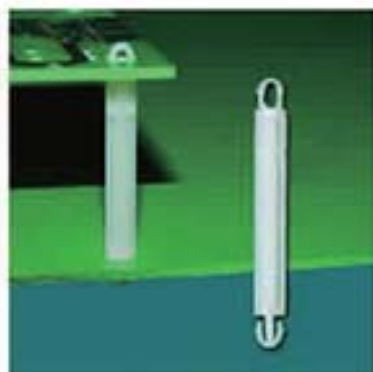


PART NO	A	E	T P.C.B. THICKNESS	PACKAGE
DMK-49J	49.6	1.8	1.6	500

P.C.板間隔柱 SPACER SUPPORT

PINGOOD

3-32-1

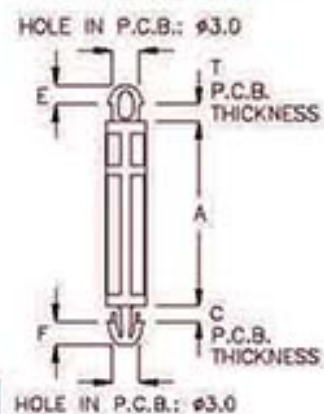


P.C.板間隔柱 SPACER SUPPORT

MATERIAL: NYLON 66(UL)

FLAME CLASS: 94V-2

COLOR: NATURAL



PART NO	A	T P.C.B. THICKNESS	C P.C.B. THICKNESS	E	F	PACKAGE
MCY-25	25.0	1.4 ~ 1.6	1.0 ~ 1.2	2.0	2.4	500
MCY-26A	26.8	1.4 ~ 1.6	1.0 ~ 1.2	2.0	2.4	

3-32-2

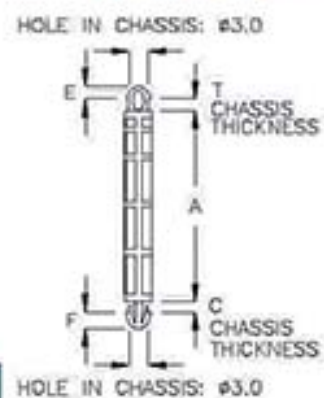


P.C.板間隔柱 SPACER SUPPORT

MATERIAL: NYLON 66(UL)

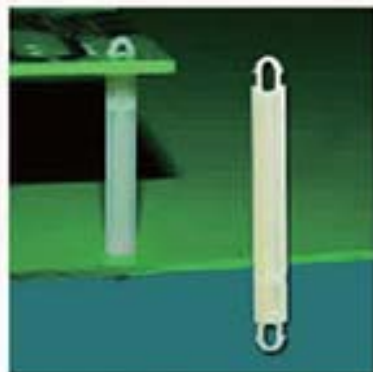
FLAME CLASS: 94V-2

COLOR: NATURAL



PART NO	A	T P.C.B. THICKNESS	C P.C.B. THICKNESS	E	F	PACKAGE
MCY-36P	36.5	1.6	1.2	2.0	2.4	500

3-32-3

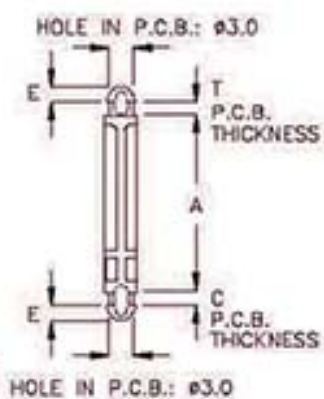


P.C.板間隔柱 SPACER SUPPORT

MATERIAL: NYLON 66(UL)

FLAME CLASS: 94V-2

COLOR: NATURAL



PART NO	A	T P.C.B. THICKNESS	C P.C.B. THICKNESS	E	PACKAGE
MCH-28A	28.2	1.0 ~ 1.2	1.4 ~ 1.6	1.9	500

P.C.板間隔柱 SPACER SUPPORT

PINGOOD

3-33-1

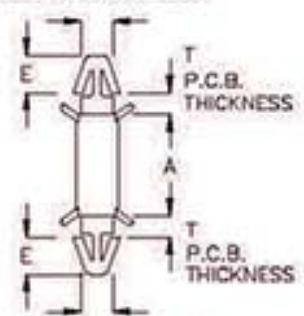


P.C.板間隔柱 SPACER SUPPORT

MATERIAL: NYLON 66(UL)
FLAME CLASS: 94V-2
COLOR: NATURAL

PART NO	A	T P.C.B. THICKNESS	E	PACKAGE
LCA3-3A	3.1	1.0~1.7	3.2	2000
LCA3-3	3.2	1.0~1.7	3.2	
LCA3-7	6.8	1.6~1.9	3.2	
LCA3-11	11.5	1.0~1.6	3.2	1000
LCA3-15	15.2	1.0~1.6	3.2	
LCA3-20	19.8	1.0~1.8	3.2	
LCA3-25	25.0	1.6~1.7	3.2	500

HOLE IN P.C.B.: $\phi 3.0$



HOLE IN P.C.B.: $\phi 3.0$

3-33-2

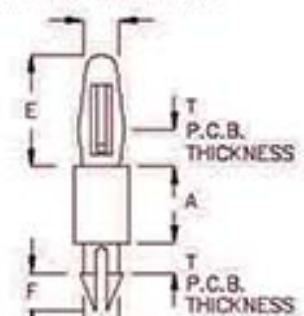


P.C.板間隔柱 SPACER SUPPORT

MATERIAL: NYLON 66(UL)
FLAME CLASS: 94V-2
COLOR: NATURAL

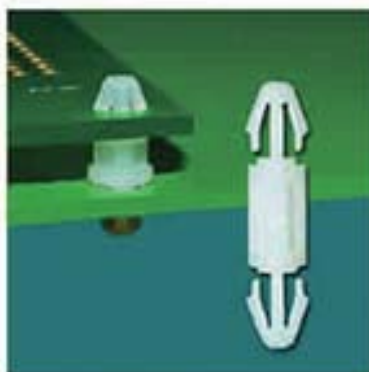
PART NO	A	T P.C.B. THICKNESS	E	F	PACKAGE
MCB3-6	6.35	1.2~1.7	9.1	3.3	2000
MCB3-12	12.7	1.2~1.7	9.1	3.3	1000

HOLE IN P.C.B.: $\phi 3.0$



HOLE IN P.C.B.: $\phi 3.0$

3-33-3

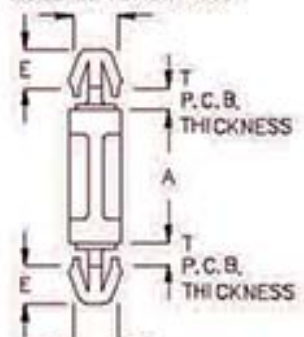


P.C.板間隔柱 SPACER SUPPORT

MATERIAL: NYLON 66(UL)
FLAME CLASS: 94V-2
COLOR: NATURAL

PART NO	A	T P.C.B. THICKNESS	E	PACKAGE
MCF-2A	2.5	1.2~1.8	3.6	2000
MCF-03	3.0	1.2~1.8	3.7	
MCF-3M	3.5	1.2~1.8	3.6	
MCF-04	4.0	1.2~1.8	3.7	
MCF-4M	4.5	1.2~1.8	3.6	
MCF-05	5.0	1.2~1.8	3.7	
MCF-5M	5.5	1.2~1.8	3.6	
MCF-6	6.35	1.2~1.8	3.7	
MCF-07	7.0	1.2~1.8	3.7	
MCF-8	8.0	1.2~1.8	3.7	
MCF-09	9.0	1.2~2.0	3.6	
MCF-10	9.7	1.2~1.8	3.7	
MCF-12	12.7	1.2~1.8	3.7	1000
MCF-57	57.0	1.4~1.6	3.5	500

HOLE IN P.C.B.: $\phi 3.0$

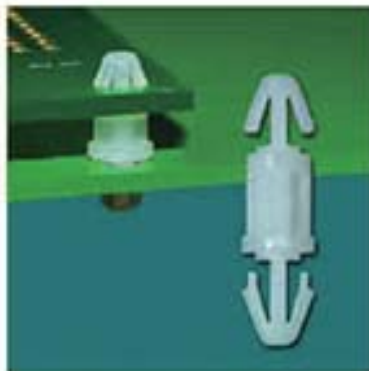


HOLE IN P.C.B.: $\phi 3.0$

P.C.板間隔柱 SPACER SUPPORT

PINGOOD

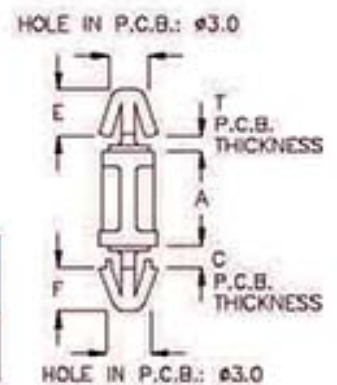
3-34-1



P.C.板間隔柱 SPACER SUPPORT

MATERIAL: NYLON 66(UL)
FLAME CLASS: 94V-2
COLOR: NATURAL

PART NO	A	T P.C.B. THICKNESS	C P.C.B. THICKNESS	E	F	PACKAGE
MCF-6A	6.0	0.8~1.0	1.2~1.7	3.6	3.6	2000
MCF-3RK	3.1	1.0~1.35	1.5~1.7	3.5	2.5	



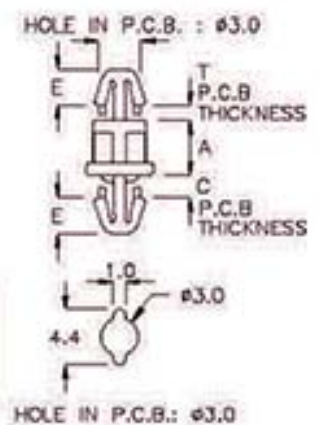
3-34-2



P.C.板間隔柱 SPACER SUPPORT

MATERIAL: NYLON 66(UL)
FLAME CLASS: 94V-2
COLOR: NATURAL

PART NO	A	T P.C.B. THICKNESS	C P.C.B. THICKNESS	E	PACKAGE
MQY-4MA	4.3	0.8~1.0	1.4~1.6	2.8	2000



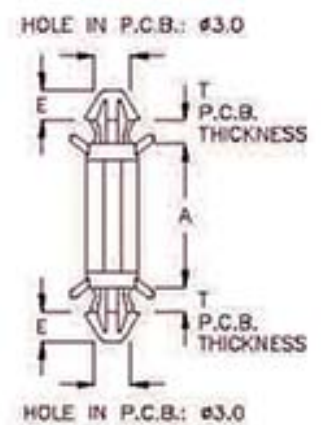
3-34-3



P.C.板間隔柱 SPACER SUPPORT

MATERIAL: NYLON 66(UL)
FLAME CLASS: 94V-2
COLOR: NATURAL

PART NO	A	T P.C.B. THICKNESS	E	PACKAGE
LTA3-10M	10.5	1.2~1.6	2.5	1000
LTA3-12	12.0	1.2~1.6	2.5	
LTA3-13	13.0	1.2~1.6	2.5	
LTA3-18M	18.3	1.2~1.6	2.5	
LTA3-36A	36.8	0.8~1.8	2.5	500
LTA3-40	40.0	1.2~1.6	2.5	



P.C.板間隔柱 SPACER SUPPORT

PINGOOD

3-35-1



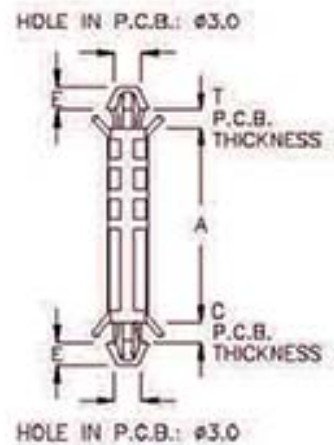
P.C.板間隔柱 SPACER SUPPORT

MATERIAL: NYLON 66(UL)

FLAME CLASS: 94V-2

COLOR: NATURAL

PART NO	A	T P.C.B. THICKNESS	C P.C.B. THICKNESS	E	PACKAGE
LTA3-40A	40.8	1.2~1.6	1.4~1.6	2.4	1000
LTA3-41A	41.5	1.2~1.6	1.4~1.6	2.4	



3-35-2



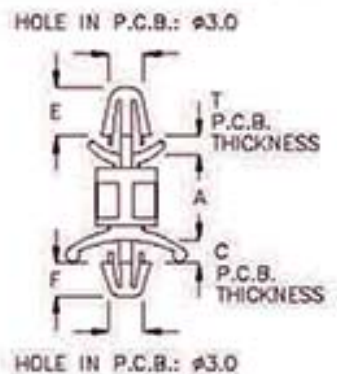
P.C.板間隔柱 SPACER SUPPORT

MATERIAL: NYLON 66(UL)

FLAME CLASS: 94V-2

COLOR: NATURAL

PART NO	A	T P.C.B. THICKNESS	C P.C.B. THICKNESS	E	F	PACKAGE
LBD-7A	7.85	0.8~1.0	1.4~1.8	4.0	2.7	1000



3-35-3



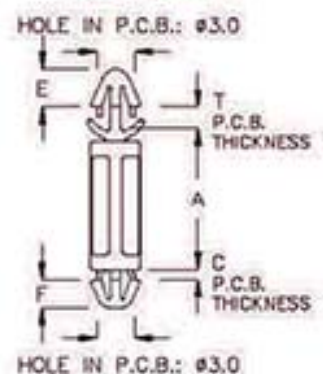
P.C.板間隔柱 SPACER SUPPORT

MATERIAL: NYLON 66(UL)

FLAME CLASS: 94V-2

COLOR: NATURAL

PART NO	A	T P.C.B. THICKNESS	C P.C.B. THICKNESS	E	F	PACKAGE
MOF-14DC	14.4	1.2~1.6	0.6	3.05	2.35	1000

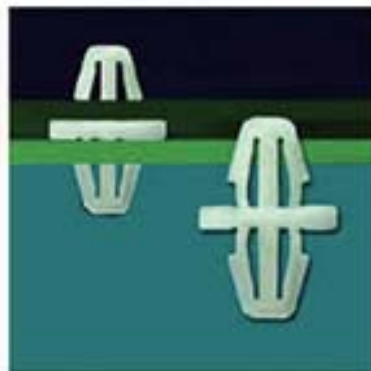


P.C.板間隔柱 SPACER SUPPORT

PINGOOD

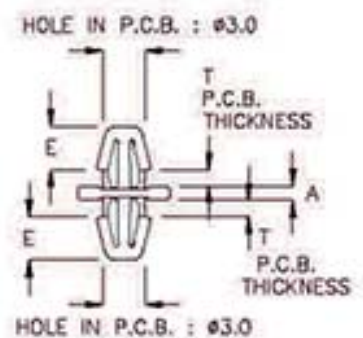
3-36-1

P.C.板間隔柱 SPACER SUPPORT



MATERIAL: NYLON 66(UL)
FLAME CLASS: 94V-2
COLOR: NATURAL

PART NO	A	T CHASSIS THICKNESS	E	PACKAGE
MCQ-1AT	1.0	1.0	3.1	2000

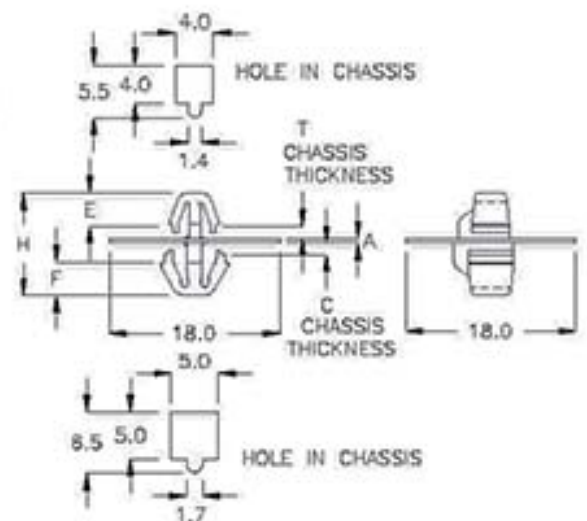


P.C.板間隔柱 SPACER SUPPORT



MATERIAL:
NYLON 66(UL)
FLAME CLASS: 94V-2
COLOR: NATURAL

PART NO	A	T CHASSIS THICKNESS	C CHASSIS THICKNESS	E	F	H	PACKAGE
MCI-1GS	0.5	1.0	1.0~1.5	3.5	3.5	10.8	1000
MCI-1JR	0.5	0.5	1.0~1.5	3.5	3.5	10.1	



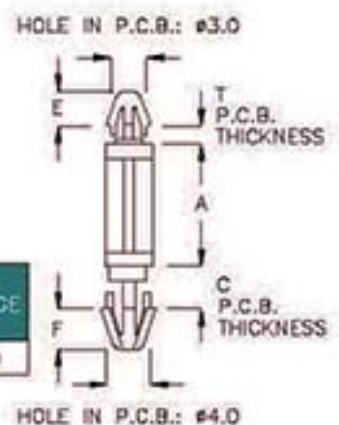
3-36-3

P.C.板間隔柱 SPACER SUPPORT



MATERIAL: NYLON 66(UL)
FLAME CLASS: 94V-2
COLOR: NATURAL

PART NO	A	T P.C.B. THICKNESS	C P.C.B. THICKNESS	E	F	PACKAGE
MCN-31	31.0	1.2~1.6	3.6~4.0	3.5	4.1	1000



P.C.板間隔柱 SPACER SUPPORT

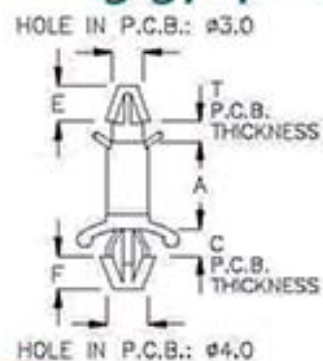
PINGOOD

3-37-1



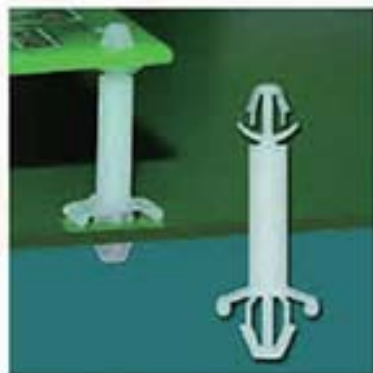
P.C.板間隔柱 SPACER SUPPORT

MATERIAL: NYLON 66(UL)
FLAME CLASS: 94V-2
COLOR: NATURAL



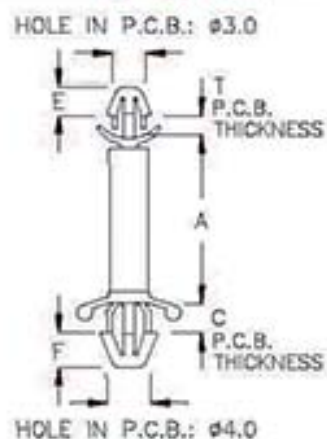
PART NO	A	T P.C.B. THICKNESS	C P.C.B. THICKNESS	E	F	PACKAGE
LCB3-8	7.4	0.8~1.7	0.8~2.0	3.5	3.5	1000
LCB3-10	10.0	0.8~1.7	0.8~2.0	3.5	3.5	
LCB3-13	13.0	1.2~1.6	0.8~1.8	3.5	3.3	

3-37-2



P.C.板間隔柱 SPACER SUPPORT

MATERIAL: NYLON 66(UL)
FLAME CLASS: 94V-2
COLOR: NATURAL



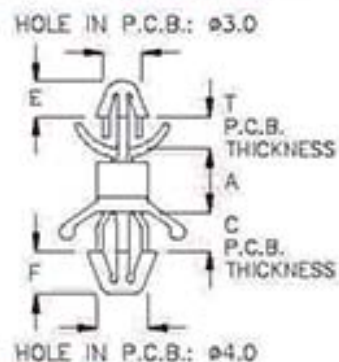
PART NO	A	T P.C.B. THICKNESS	C P.C.B. THICKNESS	E	F	PACKAGE
LCBA-15L	16.4	0.8~1.8	1.2~2.0	2.8	3.4	1000

3-37-3



P.C.板間隔柱 SPACER SUPPORT

MATERIAL: NYLON 66(UL)
FLAME CLASS: 94V-2
COLOR: NATURAL



PART NO	A	T P.C.B. THICKNESS	C P.C.B. THICKNESS	E	F	PACKAGE
LBCM-5GA	5.0	0.8~2.0	1.2~2.6	2.8	3.4	1000

P.C.板間隔柱 SPACER SUPPORT

PINGOOD

3-38-1



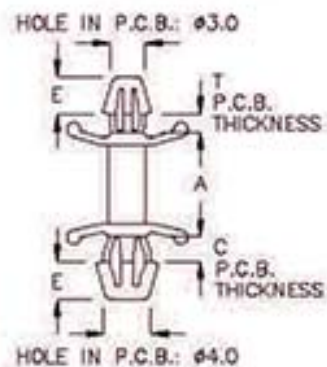
P.C.板間隔柱 SPACER SUPPORT

MATERIAL: NYLON 66(UL)

FLAME CLASS: 94V-2

COLOR: NATURAL

PART NO	A	T P.C.B. THICKNESS	C P.C.B. THICKNESS	E	PACKAGE
LCH-8A	6.6	0.6~1.0	1.6~1.8	3.1	1000
LCH-8A	8.6	0.6~1.0	1.6~1.8	3.1	



3-38-2



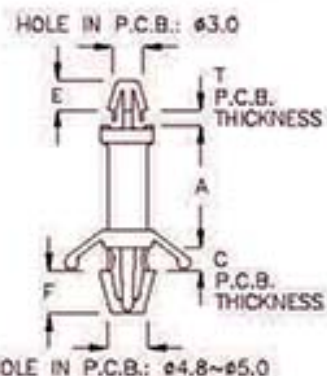
P.C.板間隔柱 SPACER SUPPORT

MATERIAL: NYLON 66(UL)

FLAME CLASS: 94V-2

COLOR: NATURAL

PART NO	A	T P.C.B. THICKNESS	C P.C.B. THICKNESS	E	F	PACKAGE
MQC-14	13.9	1.4~1.6	0.8~2.0	3.5	5.1	1000



3-38-3



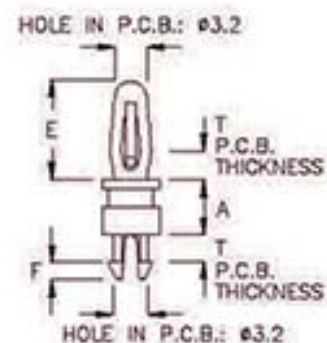
P.C.板間隔柱 SPACER SUPPORT

MATERIAL: NYLON 66(UL)

FLAME CLASS: 94V-2

COLOR: NATURAL

PART NO	A	T P.C.B. THICKNESS	C P.C.B. THICKNESS	E	F	PACKAGE
MCX-4A	4.8	1.4~1.6	1.4~1.6	8.7	1.8	2000
MCX-4GR	4.0	1.4~1.6	0.8~1.0	8.7	1.6	



P.C.板間隔柱 SPACER SUPPORT

PINGOOD

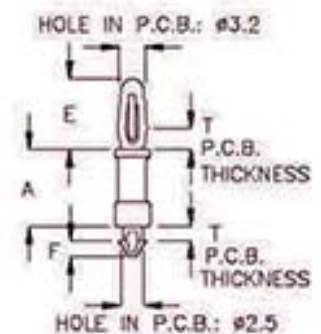
3-39-1



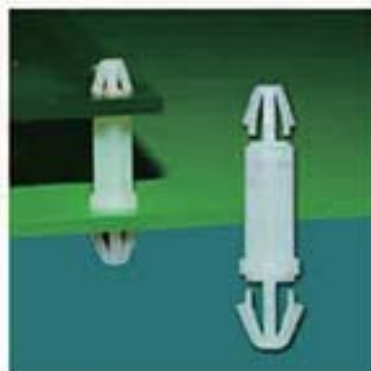
P.C.板間隔柱 SPACER SUPPORT

MATERIAL: NYLON 66(UL)
FLAME CLASS: 94V-2
COLOR: NATURAL

PART NO	A	T P.C.B. THICKNESS	E	F	PACKAGE
MCX-9C	9.5	1.4 ~ 1.6	8.7	2.0	2000



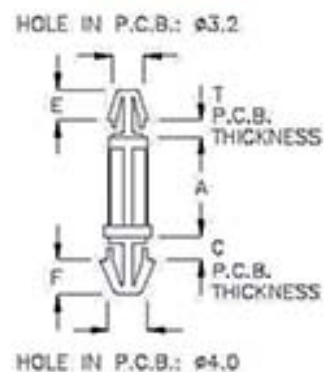
3-39-2



P.C.板間隔柱 SPACER SUPPORT

MATERIAL: NYLON 66(UL)
FLAME CLASS: 94V-2
COLOR: NATURAL

PART NO	A	T P.C.B. THICKNESS	C P.C.B. THICKNESS	E	F	PACKAGE
MCZ-10A	10.5	1.4~1.6	2.1~2.3	3.3	3.7	2000
MCZ-10MR	10.45	1.4~1.6	1.8~2.0	3.1	2.7	



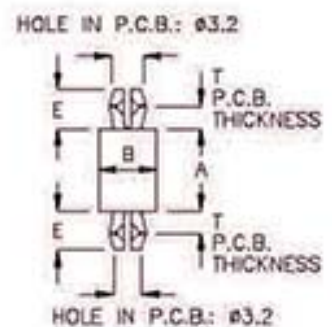
3-39-3



P.C.板間隔柱 SPACER SUPPORT

MATERIAL: NYLON 66(UL)
FLAME CLASS: 94V-2
COLOR: NATURAL

PART NO	A	B	T P.C.B. THICKNESS	E	PACKAGE
MCP-7A	7.9	$\phi 5.6$	1.4 ~ 1.6	3.8	2000



P.C.板間隔柱 SPACER SUPPORT

PINGOOD

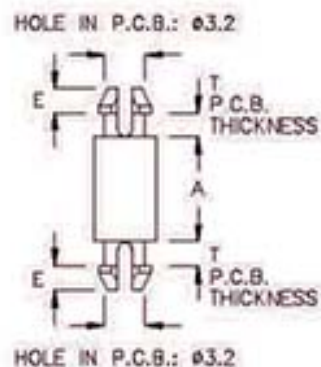
3-40-1



P.C.板間隔柱 SPACER SUPPORT

MATERIAL: NYLON 66(UL)
FLAME CLASS: 94V-2
COLOR: NATURAL

PART NO	A	T P.C.B. THICKNESS	E	PACKAGE
UCD-10A	10.1	1.4 ~ 1.6	1.9	2000
UCD-11A	11.1	1.4 ~ 1.6	1.9	
UCD-16A	15.9	1.4 ~ 1.6	1.9	



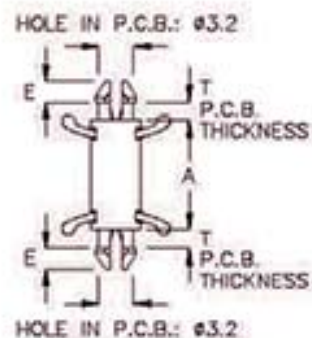
3-40-2



P.C.板間隔柱 SPACER SUPPORT

MATERIAL: NYLON 66(UL)
FLAME CLASS: 94V-2
COLOR: NATURAL, BLACK

PART NO	A	T P.C.B. THICKNESS	E	PACKAGE
UCK-10F	10.1	1.4 ~ 1.6	1.9	2000



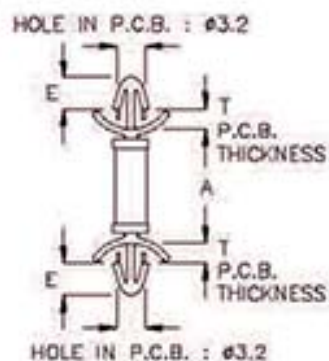
3-40-3



P.C.板間隔柱 SPACER SUPPORT

MATERIAL: NYLON 66(UL)
FLAME CLASS: 94V-2
COLOR: NATURAL

PART NO	A	T P.C.B. THICKNESS	E	PACKAGE
LCS-14D	14.3	0.8 ~ 2.0	4.0	1000



P.C.板間隔柱 SPACER SUPPORT

PINGOOD

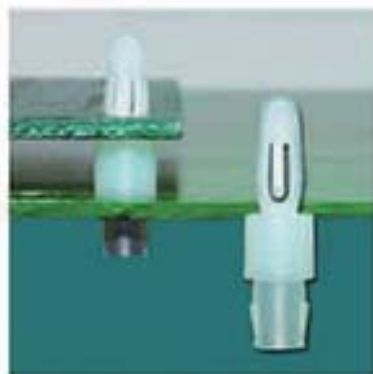
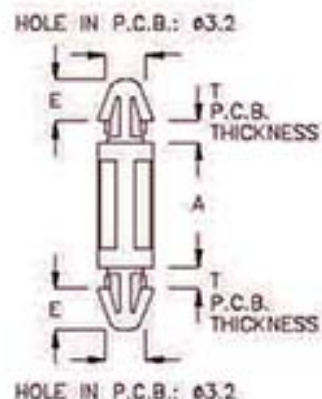
3-41-1



P.C.板間隔柱 SPACER SUPPORT

MATERIAL: NYLON 66(UL)
FLAME CLASS: 94V-2
COLOR: NATURAL

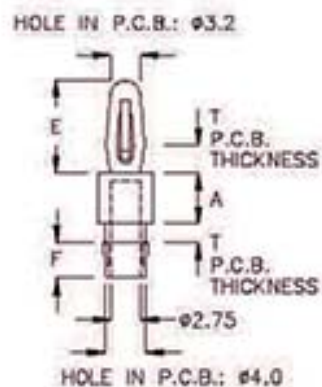
PART NO	A	T P.C.B. THICKNESS	E	PACKAGE
MCU-10	10.3	1.4~1.6	3.4	2000



P.C.板間隔柱 SPACER SUPPORT

MATERIAL: NYLON 66(UL)
FLAME CLASS: 94V-2
COLOR: NATURAL

PART NO	A	T P.C.B. THICKNESS	E	F	PACKAGE
TCJ-4A	4.8	1.4~1.6	8.7	3.3	2000



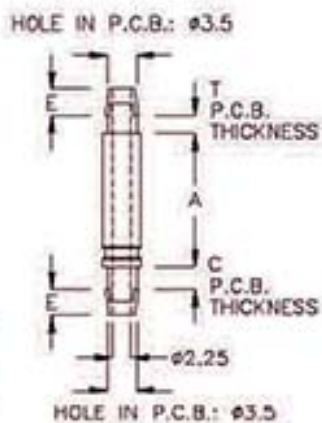
3-41-3



P.C.板間隔柱 SPACER SUPPORT

MATERIAL: NYLON 66(UL)
FLAME CLASS: 94V-2
COLOR: NATURAL

PART NO	A	T P.C.B. THICKNESS	C P.C.B. THICKNESS	E	PACKAGE
LCQ-15A	15.6	1.8~2.0	2.3~2.5	3.1	1000



P.C.板間隔柱 SPACER SUPPORT

PINGOOD

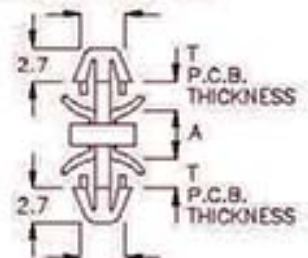
3-42-1



P.C.板間隔柱 SPACER SUPPORT
 MATERIAL: NYLON 66(UL)
 FLAME CLASS: 94V-2
 COLOR: NATURAL

PART NO	A	T P.C.B. THICKNESS	PACKAGE
LBC-4A	5.0	1.2~1.6	1000

HOLE IN P.C.B.: $\phi 3.5$



HOLE IN P.C.B.: $\phi 3.5$

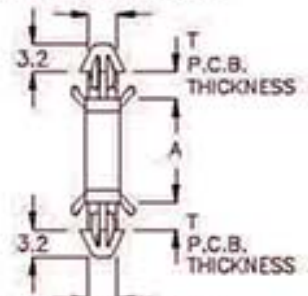
3-42-2



P.C.板間隔柱 SPACER SUPPORT
 MATERIAL: NYLON 66(UL)
 FLAME CLASS: 94V-2
 COLOR: NATURAL, BLACK

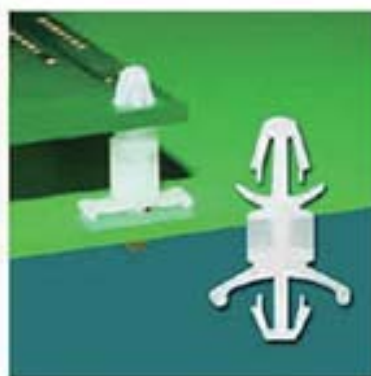
PART NO	A	T P.C.B. THICKNESS	PACKAGE
LCA35-13C	13.6	2.0~2.75	1000

HOLE IN P.C.B.: $\phi 3.5$



HOLE IN P.C.B.: $\phi 3.5$

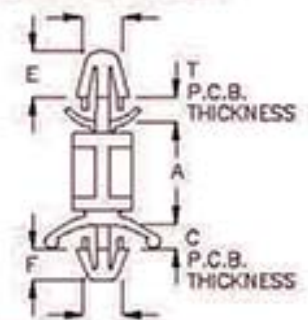
3-42-3



P.C.板間隔柱 SPACER SUPPORT
 MATERIAL: NYLON 66(UL)
 FLAME CLASS: 94V-2
 COLOR: NATURAL

PART NO	A	T P.C.B. THICKNESS	C P.C.B. THICKNESS	E	F	PACKAGE
LBC-03	3.0	1.0~1.6	0.8~1.6	4.0	2.8	1000
LBC-04	4.0	1.0~1.6	0.8~1.6	4.0	2.8	
LBC-5A	5.0	1.0~1.6	0.8~1.6	4.0	2.8	
LBC-05	5.35	1.0~1.6	0.8~1.6	4.0	2.8	
LBC-6A	6.35	1.0~1.6	0.8~1.6	4.0	2.8	
LBC-06	6.75	1.0~1.6	0.8~1.6	4.0	2.8	
LBC-07	7.0	1.0~1.6	0.8~1.6	4.0	2.8	
LBC-7A	7.5	1.2~1.7	0.8~1.6	4.0	2.5	
LBC-8A	8.0	1.0~1.6	0.8~1.6	4.0	2.8	
LBC-08	8.35	1.0~1.6	0.8~1.6	4.0	2.8	
LBC-09	9.60	1.0~1.6	0.8~2.0	4.0	2.4	
LBC-11	11.2	1.0~1.6	0.8~2.0	4.0	2.4	
LBC-12	12.7	1.0~1.6	0.8~2.0	4.0	2.4	
LBC-16	16.0	1.0~1.6	0.8~2.0	4.0	2.4	

HOLE IN P.C.B.: $\phi 3.5$

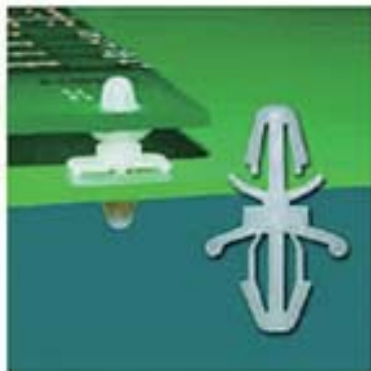


HOLE IN P.C.B.: $\phi 3.5$

P.C.板間隔柱 SPACER SUPPORT

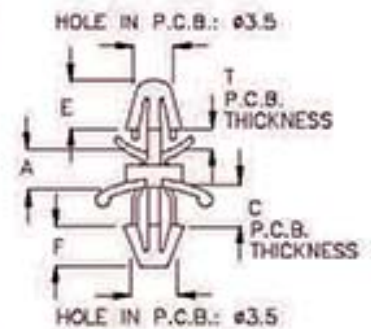
PINGOOD

3-43-1



P.C.板間隔柱 SPACER SUPPORT

MATERIAL: NYLON 66(UL)
FLAME CLASS: 94V-2
COLOR: NATURAL



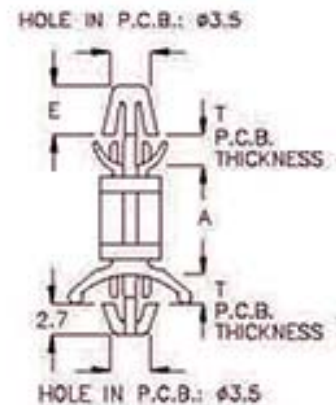
PART NO	A	T P.C.B. THICKNESS	C P.C.B. THICKNESS	E	F	PACKAGE
LBC-3A	3.4	1.0~1.6	2.0~2.4	4.0	3.4	1000

3-43-2



P.C.板間隔柱 SPACER SUPPORT

MATERIAL: NYLON 66(UL)
FLAME CLASS: 94V-2
COLOR: NATURAL



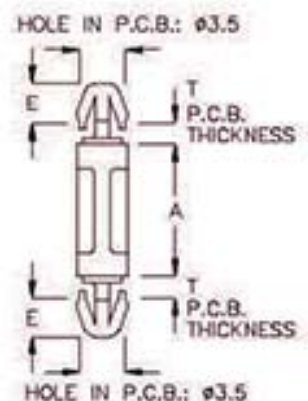
PART NO	A	T P.C.B. THICKNESS	E	PACKAGE
LBC-10	9.6	0.8~1.6	4.0	1000

3-43-3



P.C.板間隔柱 SPACER SUPPORT

MATERIAL: NYLON 66(UL)
FLAME CLASS: 94V-2
COLOR: NATURAL

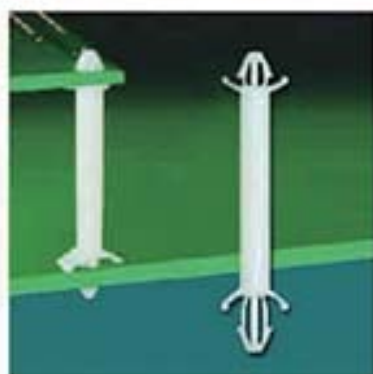


PART NO	A	T P.C.B. THICKNESS	E	PACKAGE
MCE-2A	2.5	1.4~1.8	3.75	2000
MCE-03	3.0	1.4~1.8	3.7	
MCE-3A	3.5	1.4~1.8	3.75	
MCE-4	4.0	1.4~1.8	3.7	
MCE-4A	4.5	1.4~1.8	3.75	
MCE-05	5.0	1.4~1.8	3.7	
MCE-5A	5.5	1.4~1.8	3.75	
MCE-6A	6.0	1.4~1.8	3.75	
MCE-6	6.35	1.4~1.8	3.7	
MCE-07	7.0	1.4~1.8	3.7	
MCE-7A	7.0	1.4~1.8	2.8	
MCE-8	8.0	1.4~1.8	3.7	
MCE-10	9.7	1.4~1.8	3.7	
MCE-12	12.7	1.4~1.8	3.7	
MCE-15A	15.0	1.4~1.6	2.8	

P.C.板間隔柱 SPACER SUPPORT

PINGOOD

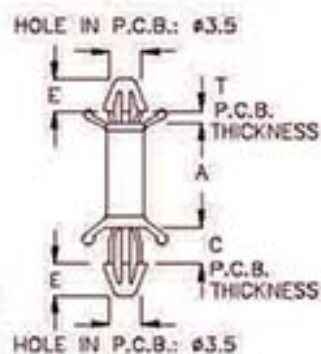
3-44-1



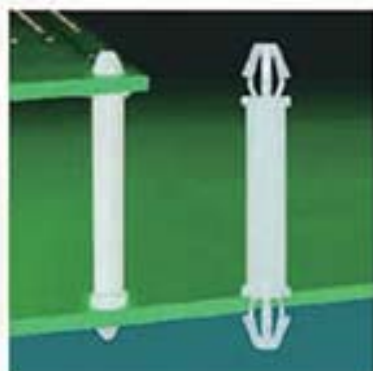
P.C.板間隔柱 SPACER SUPPORT

MATERIAL: NYLON 66(UL)
FLAME CLASS: 94V-2
COLOR: NATURAL

PART NO	A	E	T P.C.B. THICKNESS	C P.C.B. THICKNESS	PACKAGE
LMA-3A	3.6	3.2	0.8~1.6	2.0~2.6	1000
LMA-27	27.5	3.5	0.4~1.1	2.5~3.6	500



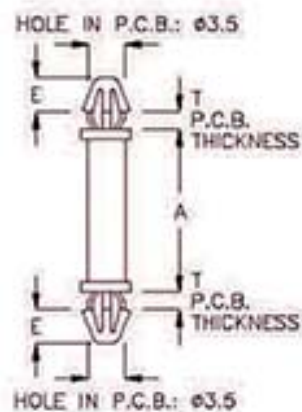
3-44-2



P.C.板間隔柱 SPACER SUPPORT

MATERIAL: NYLON 66(UL)
FLAME CLASS: 94V-2
COLOR: NATURAL

PART NO	A	T P.C.B. THICKNESS	E	PACKAGE
MCW-20	20.0	1.2~1.6	3.4	1000



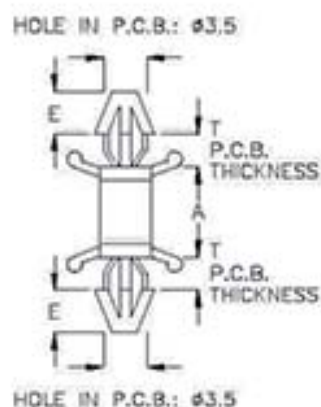
3-44-3



P.C.板間隔柱 SPACER SUPPORT

MATERIAL: NYLON 66(UL)
FLAME CLASS: 94V-2
COLOR: NATURAL

PART NO	A	T P.C.B. THICKNESS	E	PACKAGE	
LCA35-3	2.1	0.8~2.0	3.5	1000	
LCA35-3A	3.0	0.8~2.0	3.4		
LCA35-3M	3.5	0.8~2.0	3.4		
LCA35-4	4.0	0.8~2.0	3.4		
LCA35-5	4.8	0.8~2.0	3.5		
LCA35-5M	5.5	0.8~2.0	3.4		
LCA35-7	7.0	0.8~2.0	3.5		
LCA35-10	10.0	0.8~2.0	3.5		
LCA35-18	18.0	1.1~1.7	3.5		
LCA35-20	20.0	1.0~1.6	3.5		
LCA35-21	20.8	1.2~1.6	3.5		
LCA35-25	25.0	1.4~1.8	3.4		500



P.C.板間隔柱 SPACER SUPPORT

PINGOOD

3-45-1

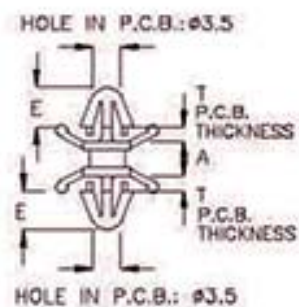


P.C.板間隔柱 SPACER SUPPORT

MATERIAL: NYLON 66(UL)

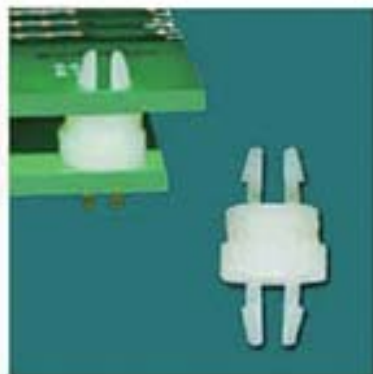
FLAME CLASS: 94V-2

COLOR: NATURAL, BLACK



PART NO	A	T P.C.B. THICKNESS	E	PACKAGE
LCA35-3H	3.05	0.3~0.6	3.4	1000

3-45-2

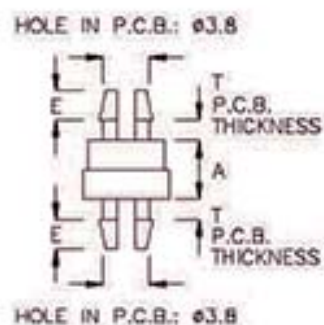


P.C.板間隔柱 SPACER SUPPORT

MATERIAL: NYLON 66(UL)

FLAME CLASS: 94V-2

COLOR: NATURAL



PART NO	A	T P.C.B. THICKNESS	E	PACKAGE
UCB-5A	4.8	1.4~1.6	2.6	2000

3-45-3

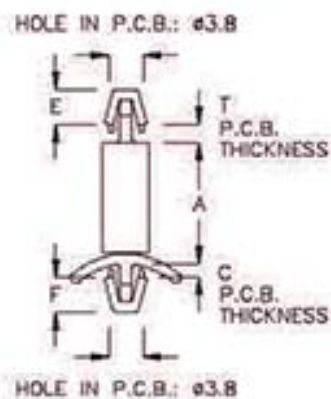


P.C.板間隔柱 SPACER SUPPORT

MATERIAL: NYLON 66(UL)

FLAME CLASS: 94V-2

COLOR: NATURAL



PART NO	A	T P.C.B. THICKNESS	C P.C.B. THICKNESS	E	F	PACKAGE
LCF-18A	17.8	1.4~1.6	0.6~1.0	3.5	3.6	1000

P.C.板間隔柱 SPACER SUPPORT

PINGOOD

3-46-1



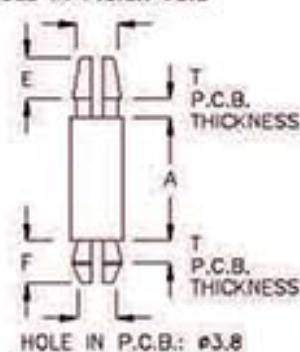
P.C.板間隔柱 SPACER SUPPORT

MATERIAL: NYLON 66(UL)

FLAME CLASS: 94V-2

COLOR: NATURAL

HOLE IN P.C.B.: $\phi 3.8$



PART NO	A	T P.C.B. THICKNESS	E	F	PACKAGE
MCB-19K	19.0	1.4~1.6	4.0	3.8	1000

3-46-2



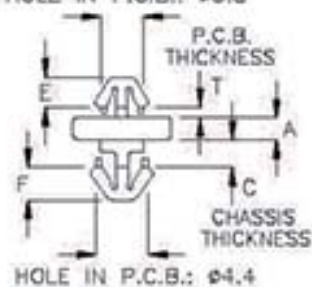
P.C.板間隔柱 SPACER SUPPORT

MATERIAL: NYLON 66(UL)

FLAME CLASS: 94V-2

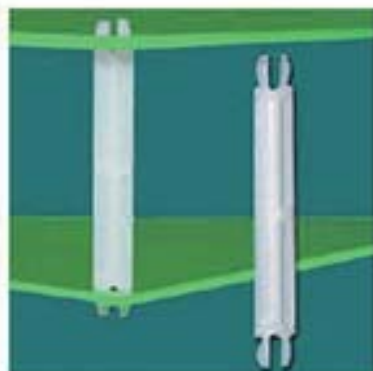
COLOR: NATURAL

HOLE IN P.C.B.: $\phi 3.8$



PART NO	A	T P.C.B. THICKNESS	C CHASSIS THICKNESS	E	F	PACKAGE
MCQA-2HC	2.0	0.8	2.2	2.8	3.0	2000

3-46-3



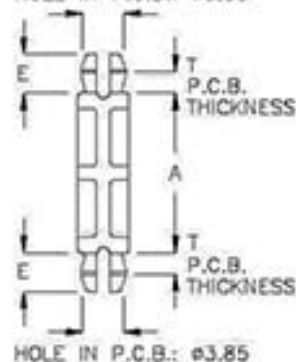
P.C.板間隔柱 SPACER SUPPORT

MATERIAL: NYLON 66(UL)

FLAME CLASS: 94V-2

COLOR: NATURAL

HOLE IN P.C.B.: $\phi 3.85$

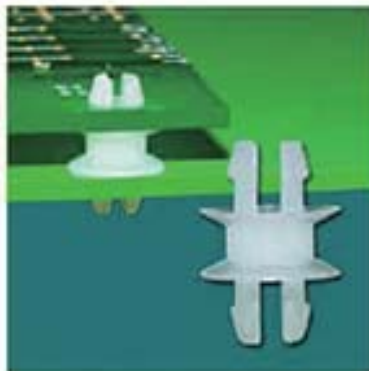


PART NO	A	T P.C.B. THICKNESS	E	PACKAGE
UCH-29AM	29.0	1.0~1.6	3.6	500

P.C.板間隔柱 SPACER SUPPORT

PINGOOD

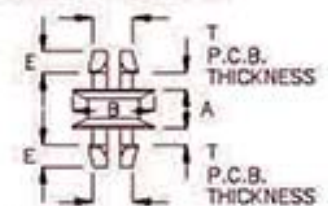
3-47-1



P.C.板間隔柱 SPACER SUPPORT

MATERIAL: NYLON 66(UL)
FLAME CLASS: 94V-2
COLOR: NATURAL

HOLE IN P.C.B.: $\phi 4.0$



HOLE IN P.C.B.: $\phi 4.0$

PART NO	A	B	T P.C.B. THICKNESS	E	PACKAGE
MCR-3A	3.6	$\phi 7.4$	1.4~1.6	2.0	2000

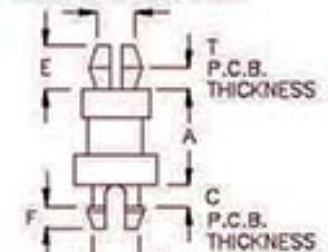
3-47-2



P.C.板間隔柱 SPACER SUPPORT

MATERIAL: NYLON 66(UL)
FLAME CLASS: 94V-2
COLOR: NATURAL

HOLE IN P.C.B.: $\phi 4.0$



HOLE IN P.C.B.: $\phi 4.0$

PART NO	A	T P.C.B. THICKNESS	C P.C.B. THICKNESS	E	F	PACKAGE
MCB-8A	7.9	1.0~1.6	1.4~1.6	3.6	2.0	2000

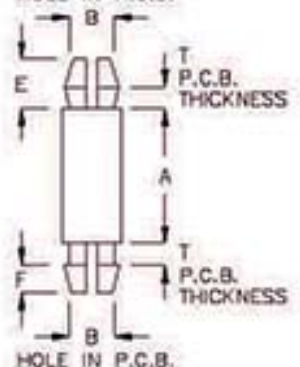
3-47-3



P.C.板間隔柱 SPACER SUPPORT

MATERIAL: NYLON 66(UL)
FLAME CLASS: 94V-2
COLOR: NATURAL

HOLE IN P.C.B.



HOLE IN P.C.B.

PART NO	A	B	T P.C.B. THICKNESS	E	F	PACKAGE
MCB-3	3.2	$\phi 4.0$	0.8~1.6	3.6~3.8	2.1	2000
MCB-6	6.35	$\phi 4.0$	0.8~1.6	3.6~3.8	2.3	
MCB-8	8.2	$\phi 4.0$	0.8~1.6	3.6~3.8	2.2	
MCB-10	10.5	$\phi 4.0$	0.8~1.6	3.6~3.8	2.1	
MCB-12	12.7	$\phi 4.0$	0.8~1.6	3.6~3.8	2.2	
MCB-15	15.7	$\phi 4.0$	0.8~1.6	3.6~3.8	2.2	
MCB-19	19.1	$\phi 4.0$	0.8~1.6	3.6~3.8	2.2	1000
MCB-28	28.5	$\phi 3.85$	0.8~1.6	3.6~3.8	1.8	
MCB-30A	30.7	$\phi 3.85$	0.8~1.6	3.6~3.8	1.8	

P.C.板間隔柱 SPACER SUPPORT

PINGOOD

3-48-1

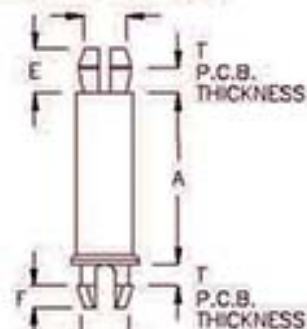


P.C.板間隔柱 SPACER SUPPORT

MATERIAL: NYLON 66(UL)
FLAME CLASS: 94V-2
COLOR: NATURAL

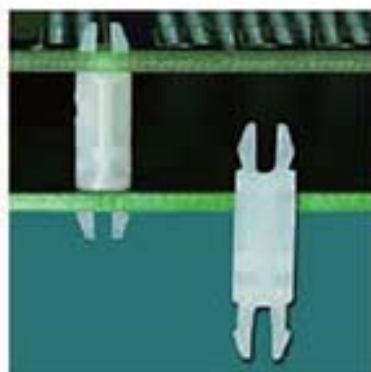
PART NO	A	T P.C.B. THICKNESS	E	F	PACKAGE
MCB-24	24.1	1.2~1.6	3.6	1.9	1000

HOLE IN P.C.B.: $\phi 4.0$



HOLE IN P.C.B.: $\phi 4.0$

3-48-2

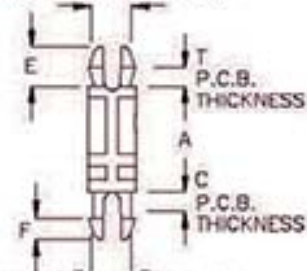


P.C.板間隔柱 SPACER SUPPORT

MATERIAL: NYLON 66(UL)
FLAME CLASS: 94V-2
COLOR: NATURAL

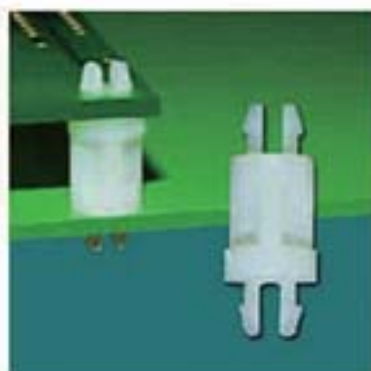
PART NO	A	T P.C.B. THICKNESS	C P.C.B. THICKNESS	E	F	PACKAGE
MCB-10K	10.5	0.8	2.2~2.3	3.8	2.1	2000

HOLE IN P.C.B.: $\phi 4.0$



HOLE IN P.C.B.: $\phi 4.0$

3-48-3

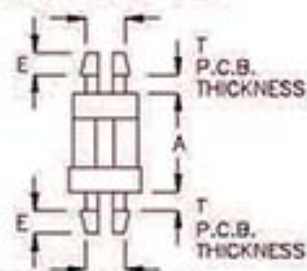


P.C.板間隔柱 SPACER SUPPORT

MATERIAL: NYLON 66(UL)
FLAME CLASS: 94V-2
COLOR: NATURAL

PART NO	A	T P.C.B. THICKNESS	E	PACKAGE
UCB-9M	9.5	1.2~1.6	2.4	1000

HOLE IN P.C.B.: $\phi 4.0$

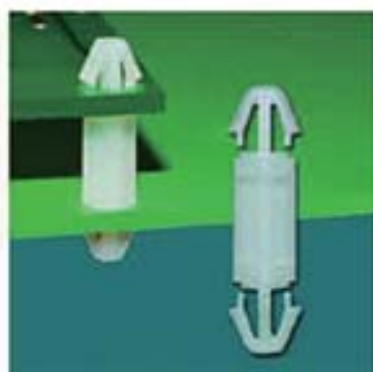


HOLE IN P.C.B.: $\phi 4.0$

P.C.板間隔柱 SPACER SUPPORT

PINGOOD

3-49-1

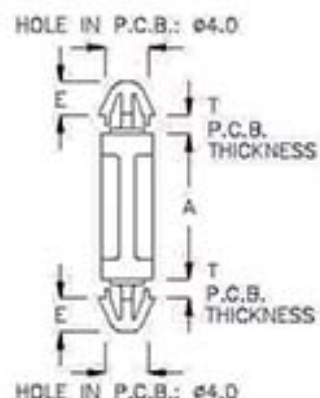


P.C.板間隔柱 SPACER SUPPORT

MATERIAL: NYLON 66(UL)

FLAME CLASS: 94V-2

COLOR: NATURAL



PART NO	A	T P.C.B. THICKNESS	E	PACKAGE
KCA-2M	2.5	1.4~1.6	3.0	2000
KCA-3	3.2	1.4~1.6	3.6	
KCA-04	4.0	1.4~1.6	3.8	
KCA-4A	4.5	1.4~1.6	3.6	
KCA-5	5.0	1.4~1.6	3.6	
KCA-5A	5.5	1.4~1.6	3.6	1000
KCA-6	6.35	1.4~1.6	3.6	
KCA-07	7.0	1.4~1.6	3.0	
KCA-7A	7.5	1.4~1.6	3.6	
KCA-8	8.0	1.4~1.6	3.6	
KCA-9	9.5	1.4~1.6	3.6	
KCA-10	10.5	1.4~1.6	3.6	
KCA-11	11.0	1.4~1.6	3.6	
KCA-12	12.7	1.4~1.6	3.6	
KCA-12S	12.7	1.4~1.6	3.2	

PART NO	A	T P.C.B. THICKNESS	E	PACKAGE
KCA-14	14.0	1.4~1.6	3.0	1000
KCA-15	15.7	1.4~1.6	3.6	
KCA-15L	15.9	1.2~1.7	3.0	
KCA-19	19.0	1.4~1.6	3.6	
KCA-20	20.0	1.4~1.6	3.6	
KCA-25	25.0	1.4~1.6	3.7	500
KCA-28A	28.5	1.4~1.6	3.6	
KCA-30	30.0	1.4~1.6	3.7	
KCA-34	34.0	1.4~1.6	3.6	
KCA-34A	34.0	1.4~1.6	3.6	
KCA-40A	40.4	1.4~1.6	3.6	200
KCA-47	47.0	1.4~1.6	3.25	
KCA-69	69.0	1.4~1.6	3.7	
KCA-80	80.0	1.4~1.6	3.0	

3-49-2



P.C.板間隔柱 SPACER SUPPORT

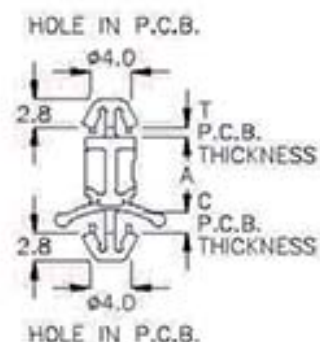
MATERIAL: NYLON 66(UL)

FLAME CLASS: 94V-2

COLOR: NATURAL

NEW

PART NO	A	T P.C.B. THICKNESS	C P.C.B. THICKNESS	PACKAGE
★ LCFA-7K	7.6	0.8	0.8~1.2	1000



P.C.板間隔柱 SPACER SUPPORT

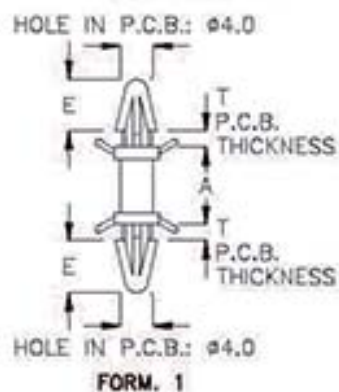
PINGOOD

3-50-1

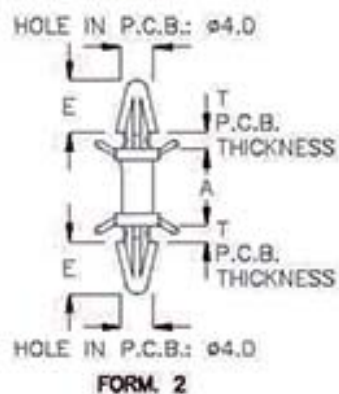


P.C.板間隔柱 SPACER SUPPORT

MATERIAL: NYLON 66(UL)
FLAME CLASS: 94V-2
COLOR: NATURAL



PART NO	A	T P.C.B. THICKNESS	E	FORM	PACKAGE
LCAS-3	3.5	0.8~1.8	7.0	1	1000
LCAS-10	10.5	0.8~1.8	7.0	1	
LCAS-15	14.8	0.8~1.8	7.0	2	
LCAS-16M	16.6	0.8~1.8	7.0	2	
LCAS-44	44.0	0.8~1.8	6.0	2	200
LCBS-48	47.8	0.8~1.8	7.0	2	

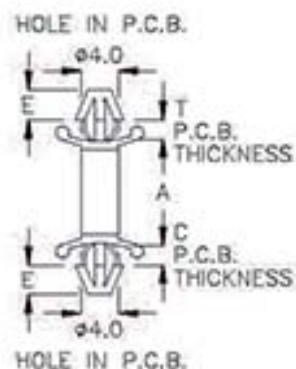


3-50-2



P.C.板間隔柱 SPACER SUPPORT

MATERIAL: NYLON 66(UL)
FLAME CLASS: 94V-2
COLOR: NATURAL



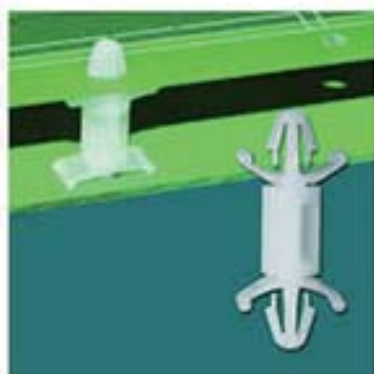
PART NO	A	T P.C.B. THICKNESS	C P.C.B. THICKNESS	E	PACKAGE
LCA4-4	4.0	1.0~1.6	1.0~1.6	3.4	1000
LCA4-5	4.8	1.6~1.9	1.6~1.9	3.0	
LCA4-6	6.0	1.0~1.6	1.0~1.6	3.4	
LCA4-7	7.0	1.0~1.6	1.0~1.6	3.4	
LCA4-8	7.1	1.2~1.8	1.2~1.8	3.6	
LCA4-8A	7.6	2.5~3.0	2.5~3.0	2.6	
LCA4-9	8.8	1.6~2.0	1.6~2.0	3.0	
LCA4-10	10.0	1.2~2.0	1.2~2.0	3.6	
LCA4-10A	10.4	1.1~1.8	1.6~3.1	3.6	
LCA4-12	13.1	1.1~2.0	1.1~2.0	3.6	
LCA4-15	15.9	1.1~2.0	1.1~2.0	3.6	
LCA4-16	16.2	1.3~2.2	1.3~2.2	3.6	

PART NO	A	T P.C.B. THICKNESS	C P.C.B. THICKNESS	E	PACKAGE
LCA4-17	17.2	1.1~2.0	1.1~2.0	3.6	1000
LCA4-20A	19.6	1.1~2.0	1.7~3.5	3.6	500
LCA4-29M	29.8	1.0~1.7	1.0~1.7	3.6	
LCA4-31	30.8	1.0~1.7	1.0~1.7	3.6	
LCA4-34A	34.0	1.1~1.9	1.6~3.1	3.6	
LCA4-34C	34.0	0.8~2.0	1.7~3.5	3.6	
LCA4-36	36.0	2.0~3.0	2.0~3.0	3.6	
LCA4-36A	35.3	2.5~3.8	2.5~3.8	3.6	
LCA4-44	43.6	0.8~1.9	0.8~1.9	3.6	200
LCA4-55	55.0	0.8~1.8	0.8~1.8	3.6	
LCA4-56	56.4	1.0~1.6	1.0~1.6	3.6	

P.C.板間隔柱 SPACER SUPPORT

PINGOOD

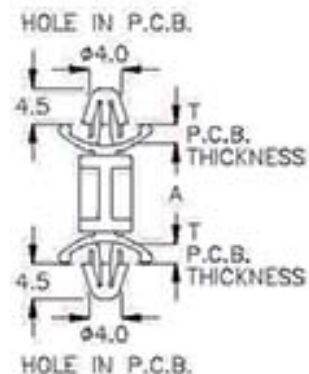
3-51-1



P.C.板間隔柱 SPACER SUPPORT

MATERIAL: NYLON 66(UL)
FLAME CLASS: 94V-2
COLOR: NATURAL

PART NO	A	T P.C.B. THICKNESS	PACKAGE
LTQB-12CH	12.7	0.8~1.7	1000



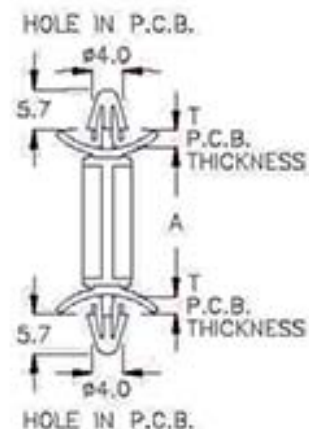
3-51-2



P.C.板間隔柱 SPACER SUPPORT

MATERIAL: NYLON 66(UL)
FLAME CLASS: 94V-2
COLOR: NATURAL

PART NO	A	T P.C.B. THICKNESS	PACKAGE
LTQM-22A	22.5	0.8~2.0	500



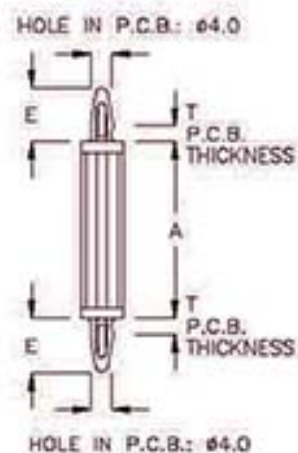
3-51-3



P.C.板間隔柱 SPACER SUPPORT

MATERIAL: NYLON 66(UL)
FLAME CLASS: 94V-2
COLOR: NATURAL, BLACK

PART NO	A	T P.C.B. THICKNESS	E	PACKAGE
LCD-151	151.8	1.8~2.0	10.0	100



P.C.板間隔柱 SPACER SUPPORT

PINGOOD

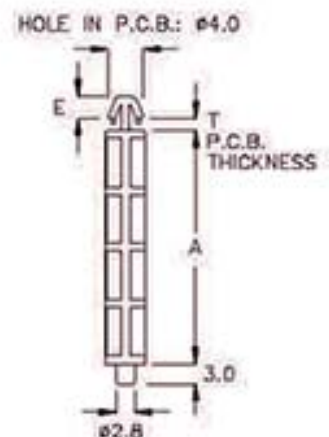
3-52-1



P.C.板間隔柱 SPACER SUPPORT

MATERIAL: NYLON 66(UL)
FLAME CLASS: 94V-2
COLOR: NATURAL

PART NO	A	T P.C.B. THICKNESS	E	PACKAGE
MQW-51A	51.7	1.6	3.3	500



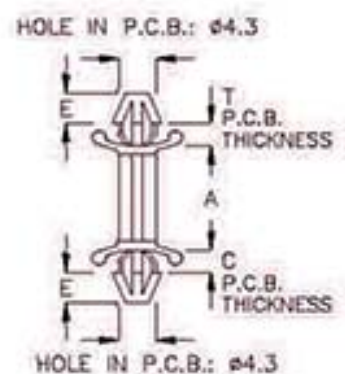
3-52-2



P.C.板間隔柱 SPACER SUPPORT

MATERIAL: NYLON 66(UL)
FLAME CLASS: 94V-2
COLOR: NATURAL

PART NO	A	T P.C.B. THICKNESS	C P.C.B. THICKNESS	E	PACKAGE
LCK-20	14.6	0.6	0.8~1.0	3.4	1000
LCK-27	21.2	0.6	1.4~1.6	3.4	



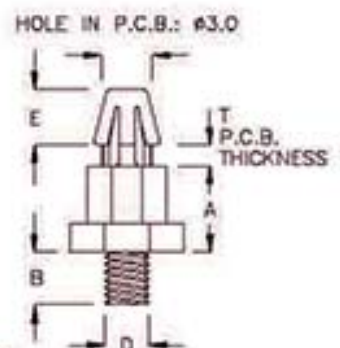
3-52-3



P.C.板間隔柱 SPACER SUPPORT

MATERIAL: NYLON 66(UL)
FLAME CLASS: 94V-2
COLOR: NATURAL

PART NO	A	B	T P.C.B. THICKNESS	D SCREW	E	PACKAGE
SDS-05	4.9	3.0	0.8~1.0	M2.5	3.3	2000
SDS-05A	4.9	3.0	0.8~1.0	M4	3.3	
SDS-3A	3.4	4.0	0.8~1.0	M4	3.5	



P.C.板間隔柱 SPACER SUPPORT

PINGOOD

3-53-1

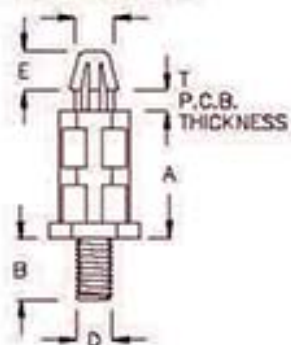


P.C.板間隔柱 SPACER SUPPORT

MATERIAL: NYLON 66(UL)
FLAME CLASS: 94V-2
COLOR: NATURAL

PART NO	A	B	T P.C.B. THICKNESS	D SCREW	E	PACKAGE
SDT-10A	10.4	5.0	1.4~1.6	M3	3.25	2000

HOLE IN P.C.B.: $\phi 3.2$



3-53-2

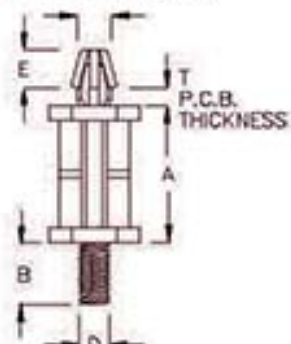


P.C.板間隔柱 SPACER SUPPORT

MATERIAL: NYLON 66(UL)
FLAME CLASS: 94V-2
COLOR: NATURAL

PART NO	A	B	T P.C.B. THICKNESS	D SCREW	E	PACKAGE
SSA-13A	13.0	6.0	1.4~1.6	M3	3.9	500

HOLE IN P.C.B.: $\phi 3.5$



3-53-3

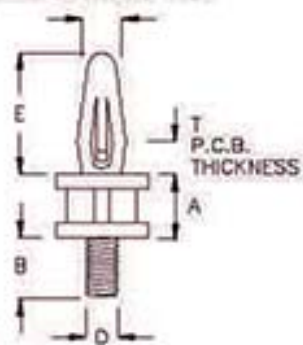


P.C.板間隔柱 SPACER SUPPORT

MATERIAL: NYLON 66(UL)
FLAME CLASS: 94V-2
COLOR: NATURAL

PART NO	A	B	T P.C.B. THICKNESS	D SCREW	E	PACKAGE
SSBS-6	6.2	7.6	1.0~1.7	#6-32	10.6	1000
SSBS-6M	6.35	5.0	1.0~1.7	#6-32	10.6	
SSBS-10	9.6	7.5	1.0~1.7	#6-32	10.6	
SSBS-12A	12.5	5.0	1.0~1.7	#6-32	10.1	500
SSBS4-6	6.3	5.0	1.0~1.7	M4	10.6	
SSBS4-10	10.0	7.4	1.0~1.7	M4	10.6	
SSBS4-16	15.8	7.4	1.0~1.7	M4	10.6	

HOLE IN P.C.B.: $\phi 4.0$



P.C.板間隔柱 SPACER SUPPORT

PINGOOD

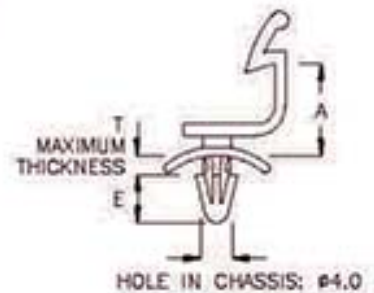
3-54-1



P.C.板間隔柱 SPACER SUPPORT

MATERIAL: NYLON 66(UL)
FLAME CLASS: 94V-2
COLOR: NATURAL

PART NO	A	T MAXIMUM THICKNESS	E	PACKAGE
LLS-12	12.6	2.0	6.6	500



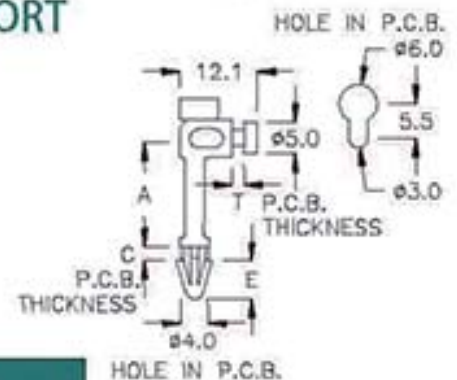
3-54-2



P.C.板間隔柱 SPACER SUPPORT

MATERIAL: NYLON 66(UL)
FLAME CLASS: 94V-2
COLOR: NATURAL

PART NO	A	T P.C.B. THICKNESS	C P.C.B. THICKNESS	E	PACKAGE
LTU-20	20.0	1.7	1.7	6.0	500
LTU-20A	20.0	1.7	2.0	6.0	



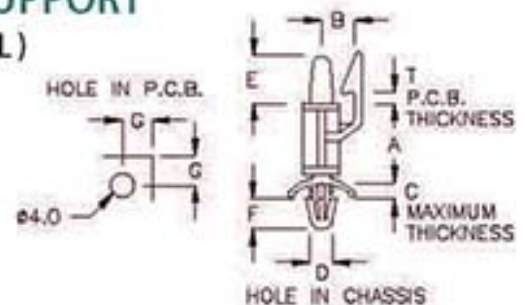
3-54-3



P.C.板間隔柱 SPACER SUPPORT

MATERIAL: NYLON 66(UL)
FLAME CLASS: 94V-2
COLOR: NATURAL

PART NO	A	B	D	T P.C.B. THICKNESS	C MAXIMUM THICKNESS	E	F	G	PACKAGE
LT-10	9.2	5.5	$\phi 4.0$	0.8~2.0	2.0	7.4	5.2	5.0	500
LT-12	11.9	5.5	$\phi 4.0$	0.8~2.0	2.0	7.4	4.5	5.0	
LT-15	15.1	5.5	$\phi 4.0$	0.8~2.0	2.0	7.4	5.2	5.0	
LT-18	17.2	5.5	$\phi 4.0$	0.8~2.0	2.0	7.4	5.2	5.0	
LT-26	26.2	6.4	$\phi 5.0$	0.8~2.0	2.0	15.0	5.2	6.0	



P.C.板間隔柱 SPACER SUPPORT

PINGOOD

3-55-1

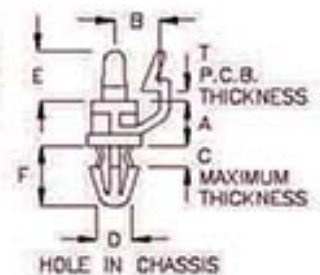
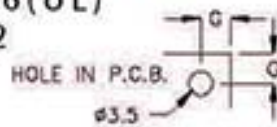


P.C.板間隔柱 SPACER SUPPORT

MATERIAL: NYLON 66(UL)

FLAME CLASS: 94V-2

COLOR: NATURAL



PART NO	A	B	D	T P.C.B. THICKNESS	C MAXIMUM THICKNESS	E	F	G	PACKAGE
LTC-5A	5.7	5.7	$\phi 4.7$	0.8~1.0	2.4	6.5	5.0	5.2	500

3-55-2

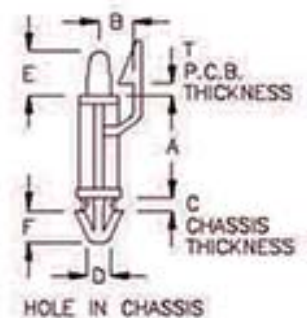
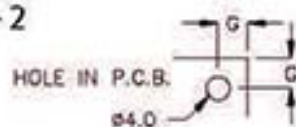


P.C.板間隔柱 SPACER SUPPORT

MATERIAL: NYLON 66(UL)

FLAME CLASS: 94V-2

COLOR: NATURAL



PART NO	A	B	D	T P.C.B. THICKNESS	C CHASSIS THICKNESS	E	F	G	PACKAGE
LT-08A	7.5	5.8	$\phi 4.5$	1.4~1.6	1.2~1.6	7.0	5.2	5.0	500
LT-18A	18.6	5.4	$\phi 4.5$	1.4~1.6	1.0~1.4	7.4	5.2	5.0	

3-55-3



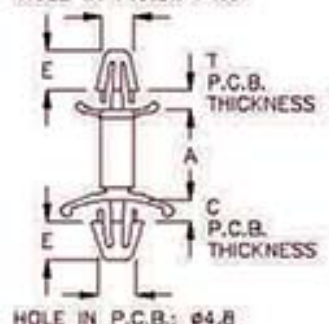
P.C.板間隔柱 SPACER SUPPORT

MATERIAL: NYLON 66(UL)

FLAME CLASS: 94V-2

COLOR: NATURAL

HOLE IN P.C.B.: $\phi 4.0$



PART NO	A	T P.C.B. THICKNESS	C P.C.B. THICKNESS	E	PACKAGE
LCWS-12	12.7	1.4~1.6	0.8~2.0	4.8	500

P.C.板間隔柱 SPACER SUPPORT

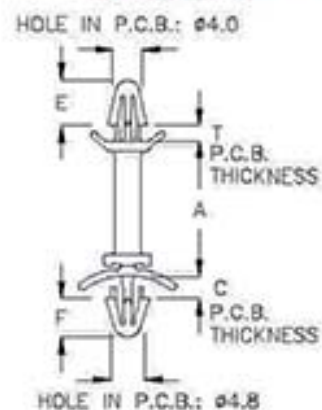
PINGOOD

3-56-1



P.C.板間隔柱 SPACER SUPPORT

MATERIAL: NYLON 66(UL)
FLAME CLASS: 94V-2
COLOR: NATURAL



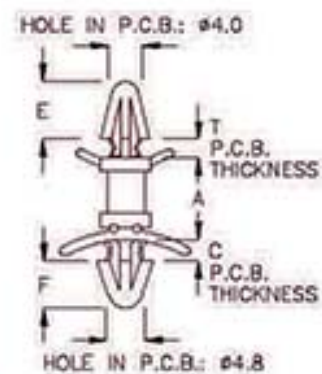
PART NO	A	T P.C.B. THICKNESS	C P.C.B. THICKNESS	E	F	PACKAGE
LCBS-20QT	20.0	0.8~1.7	1.5~2.5	6.7	5.7	500

3-56-2



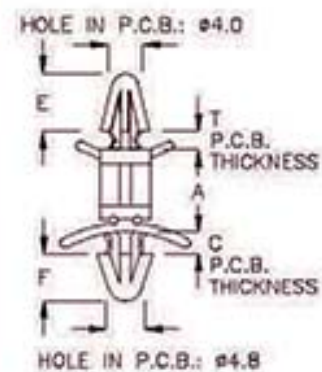
P.C.板間隔柱 SPACER SUPPORT

MATERIAL: NYLON 66(UL)
FLAME CLASS: 94V-2
COLOR: NATURAL



FORM.1

PART NO	A	T P.C.B. THICKNESS	C P.C.B. THICKNESS	E	F	FORM	PACKAGE
LCBS-5	5.0	0.8~1.7	0.8~1.7	7.1	6.1	1	1000
LCBS-6	6.35	0.8~1.7	0.8~1.7	7.1	6.1	1	
LCBS-10	10.0	0.8~1.7	0.8~1.7	7.1	6.1	1	
LCBS-15	15.0	0.8~1.7	0.8~1.7	7.1	5.7	1	
LCBS-20	20.0	0.8~1.7	0.8~1.7	7.1	5.7	1	
LCBS-25	25.0	0.8~1.7	0.8~1.7	7.1	5.7	1	500
LCBS-29	29.0	0.8~1.7	0.8~1.7	7.1	6.1	2	
LCBS-30	30.0	1.0~2.0	1.0~2.0	7.0	6.0	2	
LCBS-35	35.0	0.8~1.7	0.8~1.7	7.1	6.1	1	
LCBS-37KM	37.7	0.8~1.7	1.0~2.0	7.1	6.0	2	
LCBS-38	38.0	0.8~1.7	0.8~1.7	7.1	6.1	1	
LCBS-45	45.0	0.8~1.7	0.8~1.7	7.1	6.1	1	



FORM.2

P.C.板間隔柱 SPACER SUPPORT

PINGOOD

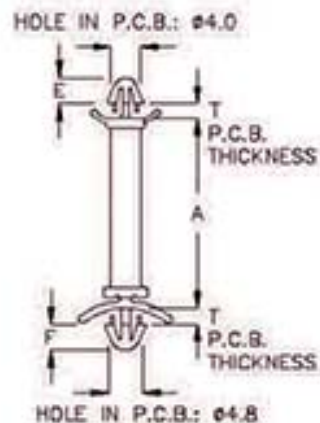
3-57-1



P.C.板間隔柱 SPACER SUPPORT

MATERIAL: NYLON 66(UL)
FLAME CLASS: 94V-2
COLOR: NATURAL

PART NO	A	T P.C.B. THICKNESS	E	F	PACKAGE
LCBS-44	43.65	0.8~1.7	4.0	4.0	500



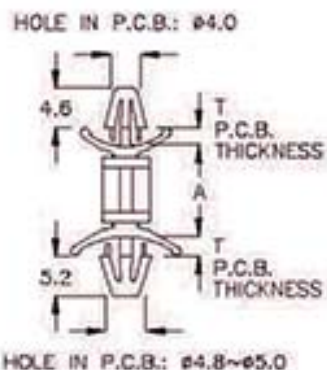
3-57-2



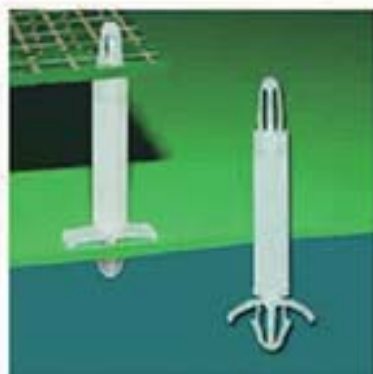
P.C.板間隔柱 SPACER SUPPORT

MATERIAL: NYLON 66(UL)
FLAME CLASS: 94V-2
COLOR: NATURAL

PART NO	A	T P.C.B. THICKNESS	PACKAGE
LTBS-6	6.35	0.8~1.7	500
LTBS-10	9.4	0.8~1.7	
LTBS-12	12.7	0.8~1.7	
LTBS-15	15.9	0.8~1.7	
LTBS-19	19.1	0.8~1.7	
LTBS-21	20.5	0.8~1.7	
LTBS-22	22.2	0.8~1.7	



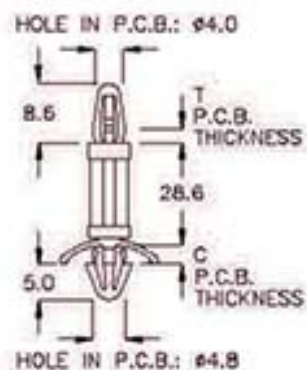
3-57-3



P.C.板間隔柱 SPACER SUPPORT

MATERIAL: NYLON 66(UL)
FLAME CLASS: 94V-2
COLOR: NATURAL

PART NO	T P.C.B. THICKNESS	C P.C.B. THICKNESS	PACKAGE
LCC-28A	1.2~1.6	0.5~2.0	500



P.C.板間隔柱 SPACER SUPPORT

PINGOOD

3-58-1



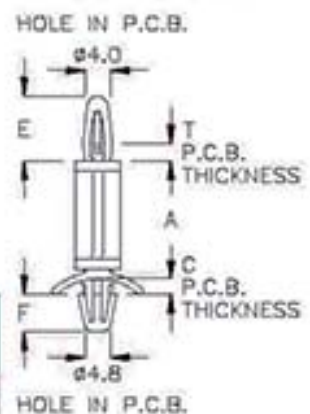
P.C.板間隔柱 SPACER SUPPORT

MATERIAL: NYLON 66(UL)

FLAME CLASS: 94V-2

COLOR: NATURAL

PART NO	A	T P.C.B. THICKNESS	C P.C.B. THICKNESS	E	F	PACKAGE
LCC-16KF	15.9	1.2~1.7	0.8~2.0	10.2	5.0	500
★ LCC-22TB	22.2	1.2~1.6	0.8~2.0	10.2	5.6	1000
LCC-25QT	25.4	1.2~1.7	0.8~2.0	10.2	5.0	500
LCC-25A	25.8	1.2~1.6	0.8~1.6	10.2	5.9	1000
LCC-28C	28.6	1.2~1.6	0.8~2.0	10.2 <td 5.9	500	



3-58-2



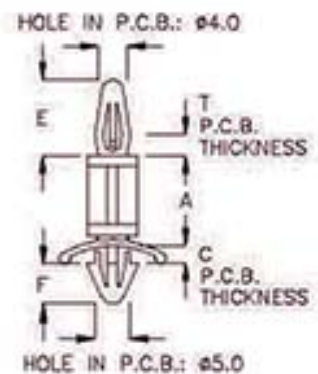
P.C.板間隔柱 SPACER SUPPORT

MATERIAL: NYLON 66(UL)

FLAME CLASS: 94V-2

COLOR: NATURAL

PART NO	A	T P.C.B. THICKNESS	C P.C.B. THICKNESS	E	F	PACKAGE
LCC-5	4.8	1.2~1.6	1.0~2.2	10.7	5.5	500
LCC-6	6.35	1.2~1.6	1.0~2.2	10.7	5.5	
LCC-10	9.6	1.2~1.6	1.0~2.2	10.7	5.5	
LCC-12	12.7	1.2~1.6	1.0~2.2	10.7	5.5	
LCC-15	15.9	1.2~1.6	1.0~2.2	10.7	5.5	



3-58-3



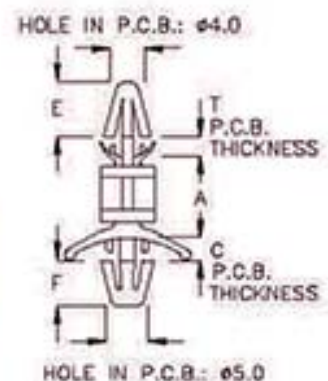
P.C.板間隔柱 SPACER SUPPORT

MATERIAL: NYLON 66(UL)

FLAME CLASS: 94V-2

COLOR: NATURAL

PART NO	A	T P.C.B. THICKNESS	C P.C.B. THICKNESS	E	F	PACKAGE
LBB-10	9.6	0.8~1.7	0.8~2.0	5.8	5.1	1000



P.C.板間隔柱 SPACER SUPPORT

PINGOOD

3-59-1

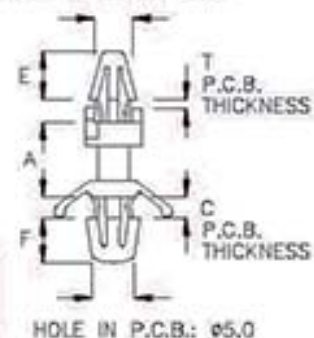


P.C.板間隔柱 SPACER SUPPORT

MATERIAL: NYLON 66(UL)
FLAME CLASS: 94V-2
COLOR: NATURAL

PART NO	A	T P.C.B. THICKNESS	C P.C.B. THICKNESS	E	F	PACKAGE
CBS-5	4.8	0.8~1.9	0.5~2.2	6.0	5.5	1000
CBS-6	6.35	0.8~1.9	0.5~2.2	6.0	5.5	
CBS-10	9.2	0.8~1.9	0.5~2.2	6.0	5.5	
CBS-12	12.7	0.8~1.9	0.5~2.2	6.0	5.5	
CBS-15	15.9	0.8~1.9	0.5~2.2	6.0	5.5	
CBS-19	19.0	0.8~1.9	0.5~2.2	6.0	5.5	500
CBS-25	25.4	0.8~1.9	0.5~2.2	6.0	5.5	
CBS-28	28.5	0.8~1.9	0.5~2.2	6.0	5.5	
CBS-35	35.0	0.8~1.9	0.5~2.2	6.0	5.5	

HOLE IN P.C.B.: $\phi 4.0$



HOLE IN P.C.B.: $\phi 5.0$

3-59-2

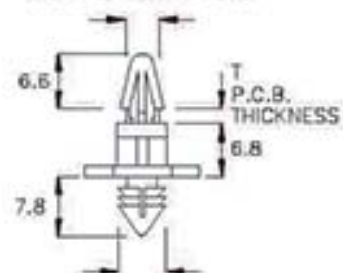


P.C.板間隔柱 SPACER SUPPORT

MATERIAL: NYLON 66(UL)
FLAME CLASS: 94V-2
COLOR: NATURAL

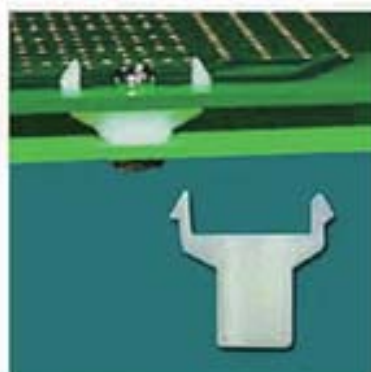
PART NO	T P.C.B. THICKNESS	PACKAGE
WCB-6	1.2~1.6	1000

HOLE IN P.C.B.: $\phi 4.0$



HOLE IN WOODENWARE: $\phi 6.0$
WOODENWARE THICKNESS: >7.0mm

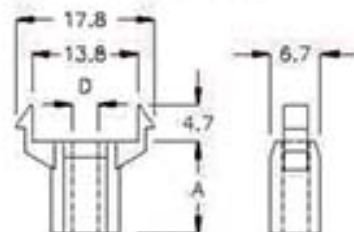
3-59-3



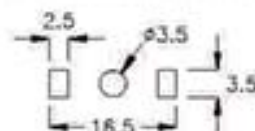
P.C.板間隔柱 SPACER SUPPORT

MATERIAL: NYLON 66(UL)
FLAME CLASS: 94V-2
COLOR: NATURAL

PART NO	A	D. SCREW	PACKAGE
L-16	12.0	M3.0X19.0	500
L-16S	5.0	M3.0X12.0	1000



HOLE IN P.C.B.
P.C.B. THICKNESS: 1.6 mm



P.C.板間隔柱 SPACER SUPPORT

PINGOOD

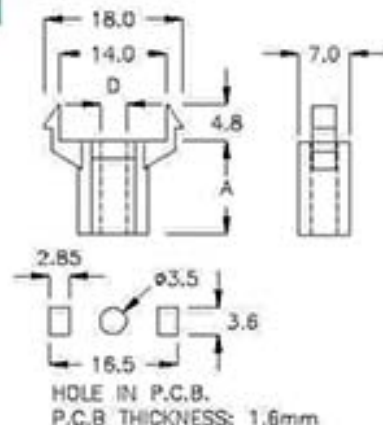
3-60-1



P.C.板間隔柱 SPACER SUPPORT

MATERIAL: NYLON 66(UL)
FLAME CLASS: 94V-2
COLOR: NATURAL

PART NO	A	D	SCREW	PACKAGE
L-9A	9.4	M3.0X16.0		1000



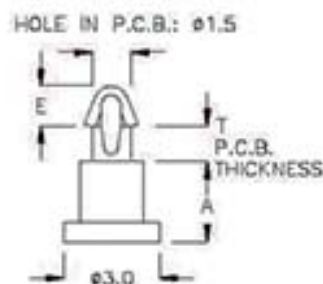
3-60-2



P.C.板間隔柱 SPACER SUPPORT

MATERIAL: NYLON 66(UL)
FLAME CLASS: 94V-2
COLOR: NATURAL

PART NO	A	T P.C.B. THICKNESS	E	PACKAGE
PCE-1AL	1.5	1.4~1.6	2.0	2000
PCE-2L	2.0	1.4~1.6	2.0	
PCE-2M	2.5	1.4~1.6	2.0	
PCE-3L	3.0	1.4~1.6	2.0	
PCE-3M	3.5	1.4~1.6	2.0	
PCE-04	4.0	1.4~1.6	2.0	
PCE-4EW	4.5	1.4~1.6	2.0	
PCE-5BZ	5.0	1.4~1.6	2.0	



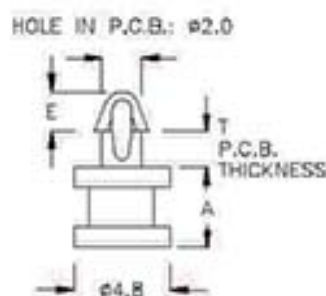
3-60-3



P.C.板間隔柱 SPACER SUPPORT

MATERIAL: NYLON 66(UL)
FLAME CLASS: 94V-2
COLOR: NATURAL

PART NO	A	T P.C.B. THICKNESS	E	PACKAGE
PCE-4D	4.0	1.4~1.6	2.1	2000



P.C.板間隔柱 SPACER SUPPORT

PINGOOD

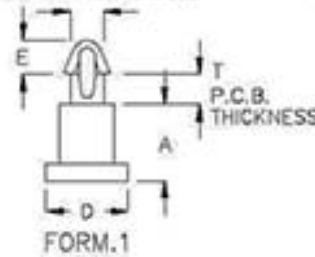
3-61-1



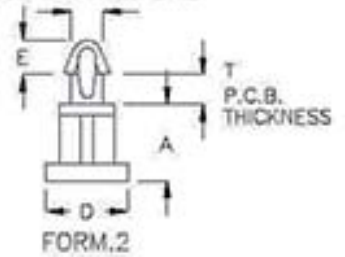
P.C.板間隔柱 SPACER SUPPORT

MATERIAL: NYLON 66(UL)
 FLAME CLASS: 94V-2
 COLOR: NATURAL

HOLE IN P.C.B.: $\phi 2.0$



HOLE IN P.C.B.: $\phi 2.0$



PART NO	A	D	T P.C.B. THICKNESS	E	FORM	PACKAGE
PCE-1A	1.5	$\phi 4.8$	1.4~1.6	2.0	1	2000
PCE-1C	1.8	$\phi 4.2$	1.4~1.6	2.0	1	
PCE-02	2.0	$\phi 4.2$	1.4~1.6	2.3	1	
PCE-2A	2.5	$\phi 4.8$	1.4~1.6	2.0	1	
PCE-2C	2.0	$\phi 4.8$	1.8~2.0	2.0	1	
PCE-2D	2.9	$\phi 4.2$	1.4~1.6	2.3	1	
PCE-2F	2.0	$\phi 4.2$	0.8~1.0	2.0	1	
PCE-2H	2.2	$\phi 4.2$	1.0~1.2	2.0	1	
PCE-2K	1.8	$\phi 4.2$	1.0~1.2	2.0	1	
PCE-2XC	2.15	$\phi 4.2$	1.4~1.6	2.0	1	
PCE-03	3.0	$\phi 4.2$	1.4~1.6	2.0	1	
PCE-3A	2.6	$\phi 4.1$	1.4~1.6	2.0	1	
PCE-3DF	3.2	$\phi 4.8$	1.4~1.6	2.1	1	
PCE-3K	3.5	$\phi 4.8$	1.4~1.6	2.0	1	
PCE-3PW	3.85	$\phi 6.0$	1.4~1.6	2.0	1	
PCE-3RY	3.75	$\phi 4.8$	1.4~1.6	2.0	1	
PCE-4A	4.0	$\phi 4.8$	1.4~1.6	2.1	1	
PCE-4F	4.7	$\phi 4.8$	1.4~1.6	2.0	1	
PCE-4M	4.5	$\phi 4.8$	1.4~1.6	2.0	1	
PCE-05	5.0	$\phi 4.8$	1.4~1.6	2.0	1	
PCE-5JD	5.0	$\phi 4.8$	1.0~1.2	2.0	1	
PCE-5QR	5.0	$\phi 6.0$	1.4~1.6	2.0	2	
PCE-5TS	5.3	$\phi 4.8$	0.8~1.0	2.3	1	
PCE-5K	5.6	$\phi 4.8$	1.4~1.6	2.0	1	
PCE-06	6.0	$\phi 4.8$	1.4~1.6	2.1	1	
PCE-6A	6.5	$\phi 4.8$	1.4~1.6	2.2	1	
PCE-6C	6.5	$\phi 4.8$	1.4~1.6	2.0	1	
PCE-6NS	6.5	$\phi 6.0$	1.4~1.6	2.0	2	
PCE-07	7.0	$\phi 4.2$	1.0~1.2	2.0	1	
PCE-08	8.0	$\phi 4.8$	1.4~1.6	3.0	1	
PCE-09	9.0	$\phi 5.0$	1.4~1.6	2.0	1	

P.C.板間隔柱 SPACER SUPPORT

PINGOOD

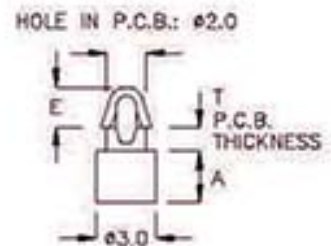
3-62-1



P.C.板間隔柱 SPACER SUPPORT

MATERIAL: NYLON 66(UL)
FLAME CLASS: 94V-2
COLOR: NATURAL

PART NO	A	T P.C.B. THICKNESS	E	PACKAGE
PCR-2C	2.5	0.8~1.0	2.0	2000
PCR-03	3.0	0.8~1.0	2.0	
PCR-3M	3.5	0.8~1.0	2.0	
PCR-04	4.0	0.8~1.0	2.0	
PCR-4M	4.5	0.8~1.0	2.0	



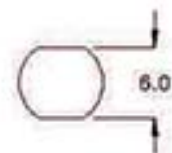
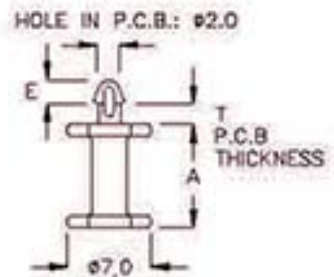
3-62-2



P.C.板間隔柱 SPACER SUPPORT

MATERIAL: NYLON 66(UL)
FLAME CLASS: 94V-2
COLOR: NATURAL

PART NO	A	T P.C.B. THICKNESS	E	PACKAGE
PCE-BMR	8.0	1.4~1.6	2.0	2000
PCE-10F	10.5	1.4~1.6	2.0	
PCE-11	11.0	1.4~1.6	2.0	



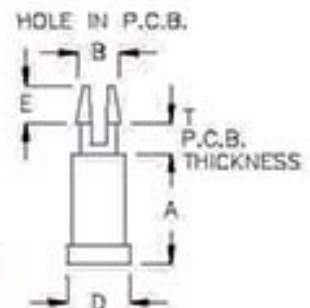
3-62-3



P.C.板間隔柱 SPACER SUPPORT

MATERIAL: NYLON 66(UL)
FLAME CLASS: 94V-2
COLOR: NATURAL

PART NO	A	B	D HOLE IN CHASSIS	T CHASSIS THICKNESS	E	PACKAGE
PCA-3	3.0	ø2.0	ø3.4	0.8~1.0	2.6	2000
PCA-3C	3.0	ø2.0	ø3.4	1.0~1.2	2.6	
PCA-4	4.0	ø1.5	ø3.0	1.4~1.6	2.0	
PCA-4A	4.0	ø2.0	ø3.5	1.4~1.6	2.0	
PCA-4C	4.7	ø2.0	ø4.8	1.4~1.6	2.6	
PCA-5	5.0	ø2.0	ø3.5	1.4~1.6	2.0	



P.C.板間隔柱 SPACER SUPPORT

PINGOOD

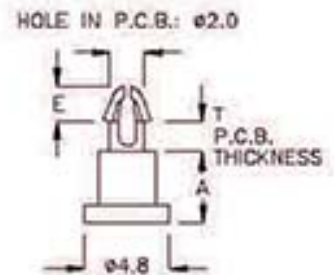
3-63-1



P.C.板間隔柱 SPACER SUPPORT

MATERIAL: NYLON 66(UL)
FLAME CLASS: 94V-2
COLOR: NATURAL, BLACK

PART NO	A	T P.C.B. THICKNESS	E	PACKAGE
PCC-03	3.0	1.4~1.6	2.0	2000
PCC-04	4.0	1.4~1.6	2.0	
PCC-05	5.0	1.4~1.6	2.0	



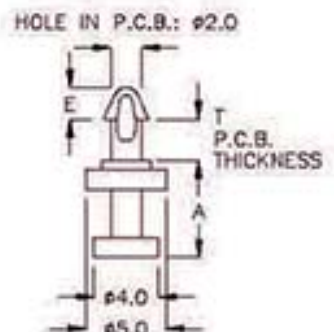
3-63-2



P.C.板間隔柱 SPACER SUPPORT

MATERIAL: NYLON 66(UL)
FLAME CLASS: 94V-2
COLOR: NATURAL

PART NO	A	T P.C.B. THICKNESS	E	PACKAGE
PCY-06	5.9	2.2~2.4	2.0	2000



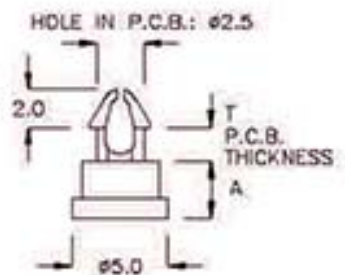
3-63-3



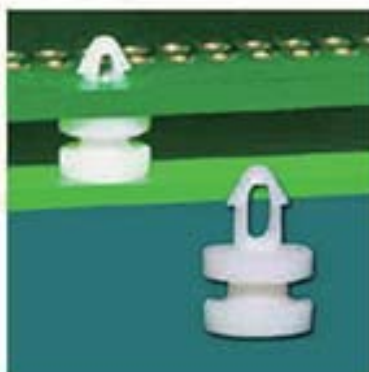
P.C.板間隔柱 SPACER SUPPORT

MATERIAL: NYLON 66(UL)
FLAME CLASS: 94V-2
COLOR: NATURAL

PART NO	A	T P.C.B. THICKNESS	PACKAGE
PHA-2T	2.95	1.4~1.6	2000



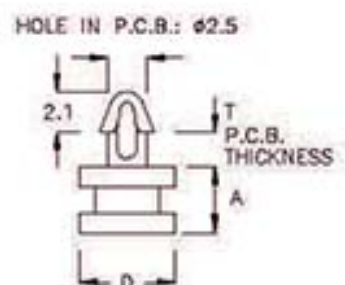
3-63-4



P.C.板間隔柱 SPACER SUPPORT

MATERIAL: NYLON 66(UL)
FLAME CLASS: 94V-2
COLOR: NATURAL

PART NO	A	D	T P.C.B. THICKNESS	PACKAGE
PCK-4C	4.1	$\phi 5.5$	1.8~2.0	2000
PCK-4G	4.0	$\phi 4.4$	0.8~1.0	



P.C.板間隔柱 SPACER SUPPORT

PINGOOD

3-64-1



P.C.板間隔柱 SPACER SUPPORT

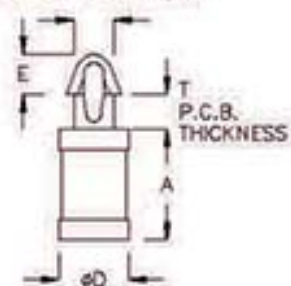
MATERIAL: NYLON 66(UL)

FLAME CLASS: 94V-2

COLOR: NATURAL

PART NO	A	D	T P.C.B. THICKNESS	E	PACKAGE
PCK-1MF	1.6	3.5	0.8~1.0	2.0	2000
PCK-2M	2.5	3.5	0.8~1.0	2.0	
PCK-3M	3.5	4.4	0.8~1.0	2.0	
PCK-4M	4.5	4.4	0.8~1.0	2.0	
PCK-05	5.0	4.4	0.8~1.0	2.0	
PCK-5A	5.6	4.4	0.8~1.0	2.4	
PCK-7A	7.0	4.4	1.4~1.6	2.4	
PCK-7C	7.5	4.4	0.8~1.0	2.3	
PCK-8A	8.0	4.4	1.4~1.6	2.2	
PCK-9A	8.9	4.4	1.4~1.6	2.2	

HOLE IN P.C.B.: $\phi 2.5$



3-64-2



P.C.板間隔柱 SPACER SUPPORT

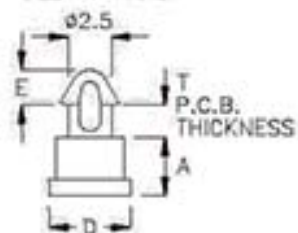
MATERIAL: NYLON 66(UL)

FLAME CLASS: 94V-2

COLOR: NATURAL

PART NO	A	D	T CHASSIS THICKNESS	E	PACKAGE
★ PCK-1TF	1.5	$\phi 4.5$	0.8~1.0	2.0	2000
PCK-1A	1.5	$\phi 4.5$	1.4~1.6	2.1	
PCK-2A	2.5	$\phi 4.5$	1.4~1.6	2.0	
PCK-2C	2.7	$\phi 6.0$	1.4~1.6	2.2	
PCK-2D	2.8	$\phi 5.0$	1.4~1.6	2.0	
PCK-2F	2.8	$\phi 5.0$	1.5~1.7	2.0	
PCK-2J	2.95	$\phi 5.0$	1.4~1.6	2.0	
PCK-3A	3.5	$\phi 4.5$	1.4~1.6	2.0	
PCK-04	4.0	$\phi 4.5$	1.4~1.6	1.8	
PCK-4A	4.5	$\phi 4.5$	1.4~1.6	2.0	
PCK-4F	4.0	$\phi 5.0$	1.4~1.6	2.0	
PCK-5K	5.0	$\phi 3.6$	1.9~2.1	2.0	
PCK-5RH	5.0	$\phi 4.5$	1.4~1.6	1.6	
PCK-06	6.0	$\phi 4.5$	1.6~1.8	1.5	

HOLE IN P.C.B.



3-64-3



P.C.板間隔柱 SPACER SUPPORT

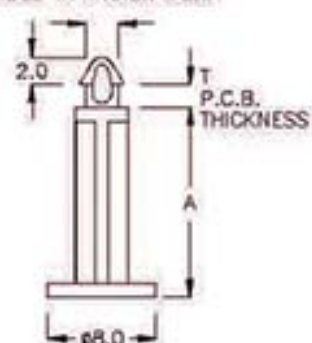
MATERIAL: NYLON 66(UL)

FLAME CLASS: 94V-2

COLOR: NATURAL

PART NO	A	T P.C.B. THICKNESS	PACKAGE
PCK-14	14.0	1.4~1.6	2000
PCK-15	15.0	1.4~1.6	

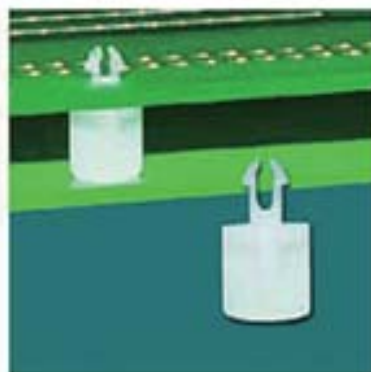
HOLE IN P.C.B.: $\phi 2.5$



P.C.板間隔柱 SPACER SUPPORT

PINGOOD

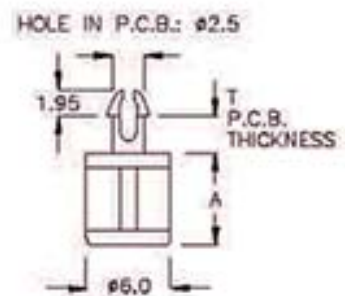
3-65-1



P.C.板間隔柱 SPACER SUPPORT

MATERIAL: NYLON 66(UL)
FLAME CLASS: 94V-2
COLOR: NATURAL

PART NO	A	T P.C.B. THICKNESS	PACKAGE
PCK-6C	6.5	2.2~2.45	2000



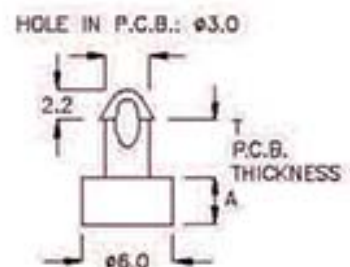
3-65-2



P.C.板間隔柱 SPACER SUPPORT

MATERIAL: NYLON 66(UL)
FLAME CLASS: 94V-2
COLOR: NATURAL

PART NO	A	T P.C.B. THICKNESS	PACKAGE
PCS-2A	3.1	3.3~3.5	2000



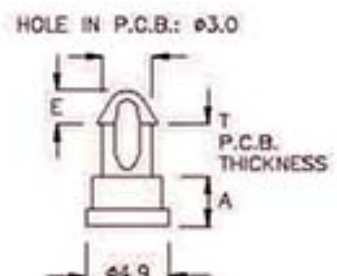
3-65-3



P.C.板間隔柱 SPACER SUPPORT

MATERIAL: NYLON 66(UL)
FLAME CLASS: 94V-2
COLOR: NATURAL

PART NO	A	T P.C.B. THICKNESS	E	PACKAGE
PCJ-3S	2.9	2.6~2.85	2.0	2000
PCJ-3T	3.5	2.3~2.5	2.0	
PCJ-3M	3.5	3.3~3.5	2.1	
PCJ-4A	3.85	3.4~3.65	2.2	
PCJ-4M	4.5	2.3~2.5	2.1	



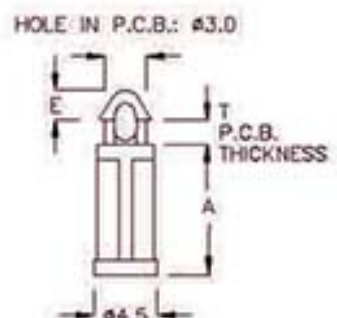
3-65-4



P.C.板間隔柱 SPACER SUPPORT

MATERIAL: NYLON 66(UL)
FLAME CLASS: 94V-2
COLOR: NATURAL

PART NO	A	T P.C.B. THICKNESS	E	PACKAGE
PCJ-9FQ	9.5	0.8~1.0	2.0	2000
PCJ-33A	33.7	1.4~1.6	2.1	500

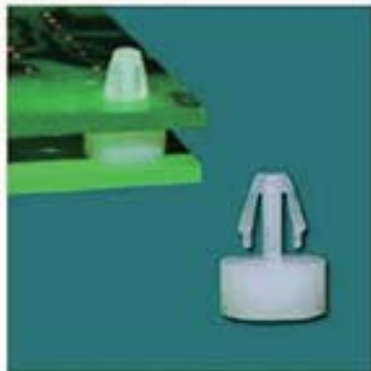


P.C.板間隔柱 SPACER SUPPORT

PINGOOD

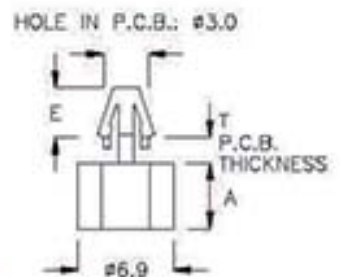
3-66-1

P.C.板間隔柱 SPACER SUPPORT



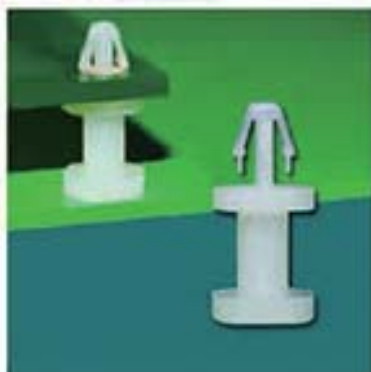
MATERIAL: NYLON 66(UL)
FLAME CLASS: 94V-2
COLOR: NATURAL

PART NO	A	T P.C.B. THICKNESS	E	PACKAGE
DCBS-2	2.0	1.2~1.7	3.8	2000
DCBS-2A	2.5	1.2~1.7	3.8	
DCBS-3	3.0	1.2~1.7	3.7	
DCBS-3A	3.3	1.2~1.7	3.7	
DCBS-3M	3.5	1.2~1.7	3.7	



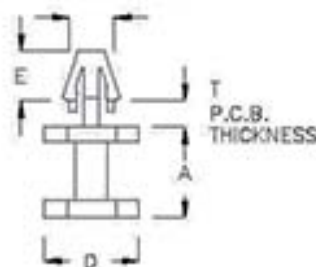
3-66-2

P.C.板間隔柱 SPACER SUPPORT



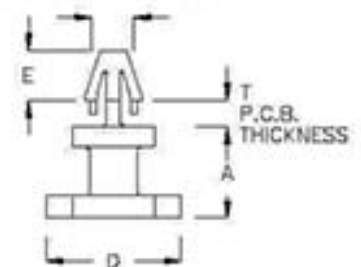
MATERIAL: NYLON 66(UL)
FLAME CLASS: 94V-2
COLOR: NATURAL

HOLE IN P.C.B.: ø3.0



FORM 1

HOLE IN P.C.B.: ø3.0



FORM 2

PART NO	A	D	T P.C.B. THICKNESS	E	FORM	PACKAGE
DCBS-4	4.0	ø7.0	1.2~1.6	3.8	1	2000
DCBS-4C	4.0	ø6.0	1.2~1.6	3.7	1	
DCBS-4M	4.5	ø7.0	1.2~1.6	3.8	1	
DCBS-5	5.0	ø7.0	1.2~1.6	3.8	1	
DCBS-5M	5.5	ø7.0	1.2~1.6	3.8	1	
DCBS-6	6.0	ø7.0	1.2~1.6	3.8	1	
DCBS-7	7.0	ø7.0	1.2~1.6	3.7	1	
DCBS-8	8.0	ø7.0	1.2~1.6	3.8	1	
DCBS-8A	8.0	ø6.8	1.2~1.6	4.3	1	
DCBS-8C	8.0	ø7.0	2.0~2.2	3.3	1	
DCBS-8M	8.5	ø7.0	1.2~1.6	3.7	1	
DCBS-9	9.0	ø7.0	1.2~1.6	3.8	1	
DCBS-10	10.0	ø7.0	1.2~1.6	3.8	1	
DCBS-10A	10.5	ø7.0	1.2~1.6	3.9	1	
DCBS-11	11.0	ø7.0	1.2~1.6	3.8	1	1000
DCBS-12	12.0	ø7.0	1.2~1.6	3.8	1	
DCBS-13	13.0	ø7.0	1.2~1.6	3.8	1	
DCBS-14	14.0	ø4.8	1.2~1.6	3.8	1	
DCBS-15	15.0	ø7.0	1.2~1.6	3.8	1	
DCBS-16KH	16.0	ø10.0	1.2~1.6	3.7	2	

P.C.板間隔柱 SPACER SUPPORT

PINGOOD

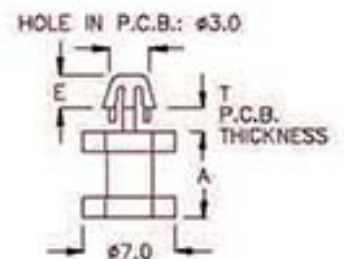
3-67-1



P.C.板間隔柱 SPACER SUPPORT

MATERIAL: NYLON 66(UL)
FLAME CLASS: 94V-2
COLOR: NATURAL

PART NO	A	T P.C.B. THICKNESS	E	PACKAGE
DCBS-6A	6.5	1.4~1.6	2.5	2000



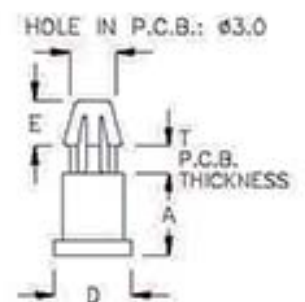
3-67-2



P.C.板間隔柱 SPACER SUPPORT

MATERIAL: NYLON 66(UL)
FLAME CLASS: 94V-2
COLOR: NATURAL

PART NO	A	T P.C.B. THICKNESS	E	D	PACKAGE
PCF-2A	2.5	1.4~1.6	2.95	$\phi 5.0$	2000
PCF-2C	2.8	1.4~1.6	2.95	$\phi 5.0$	
PCF-03	3.0	1.4~1.6	3.1	$\phi 5.0$	
PCF-3A	3.2	1.4~1.6	3.1	$\phi 5.0$	
PCF-3C	3.0	1.4~1.6	2.95	$\phi 6.0$	
PCF-3M	3.5	1.4~1.6	3.0	$\phi 5.0$	
PCF-04	4.0	1.4~1.6	3.0	$\phi 5.0$	
PCF-4A	4.5	1.4~1.6	2.95	$\phi 5.0$	
PCF-05	5.0	1.4~1.6	3.0	$\phi 5.0$	
PCF-5A	5.0	1.4~1.6	3.1	$\phi 9.0$	
PCF-09	9.0	1.4~1.6	2.95	$\phi 5.0$	
PCF-9FK	9.4	1.4~1.6	2.9	$\phi 6.0$	



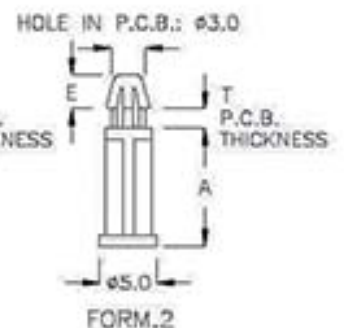
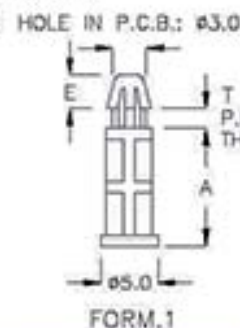
3-67-3



P.C.板間隔柱 SPACER SUPPORT

MATERIAL: NYLON 66(UL)
FLAME CLASS: 94V-2
COLOR: NATURAL

PART NO	A	T P.C.B. THICKNESS	E	FORM	PACKAGE
PCF-9A	9.5	1.6	2.7	2	2000
PCF-10	10.0	1.6	2.7	1	
PCF-20	20.0	1.6	2.7	1	1000
PCF-22	22.0	1.6	2.9	1	
PCF-25	25.0	1.6	2.9	1	



P.C.板間隔柱 SPACER SUPPORT

PINGOOD

3-68-1

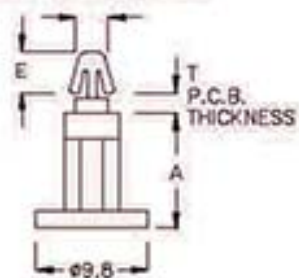


P.C.板間隔柱 SPACER SUPPORT

MATERIAL: NYLON 66(UL)
FLAME CLASS: 94V-2
COLOR: NATURAL

PART NO	A	T P.C.B. THICKNESS	E	PACKAGE
TCF-4A	4.5	1.6~1.7	3.8	2000
TCF-10	10.0	1.6~1.7	3.8	1000

HOLE IN P.C.B.: $\phi 3.0$



3-68-2

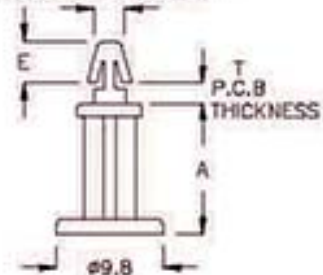


P.C.板間隔柱 SPACER SUPPORT

MATERIAL: NYLON 66(UL)
FLAME CLASS: 94V-2
COLOR: NATURAL

PART NO	A	T P.C.B. THICKNESS	E	PACKAGE
TAX-12D	12.0	1.55~1.65	3.8	1000

HOLE IN P.C.B.: $\phi 3.0$



3-68-3

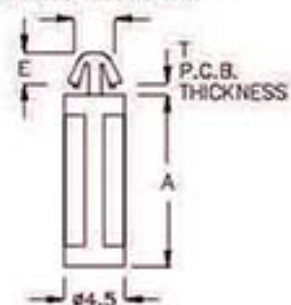


P.C.板間隔柱 SPACER SUPPORT

MATERIAL: NYLON 66(UL)
FLAME CLASS: 94V-2
COLOR: NATURAL

PART NO	A	T P.C.B. THICKNESS	E	PACKAGE
TCW-12A	12.7	0.6	2.3	1000

HOLE IN P.C.B.: $\phi 3.0$



3-68-4

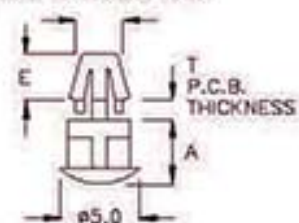


P.C.板間隔柱 SPACER SUPPORT

MATERIAL: NYLON 66(UL)
FLAME CLASS: 94V-2
COLOR: NATURAL

PART NO	A	T P.C.B. THICKNESS	E	PACKAGE
PCN-04	4.0	1.0~1.2	2.95	2000

HOLE IN P.C.B.: $\phi 3.0$



P.C.板間隔柱 SPACER SUPPORT

PINGOOD

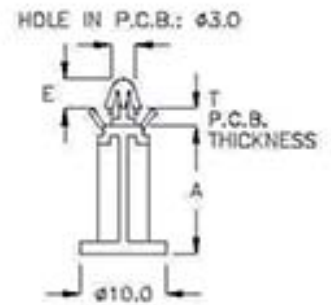
3-69-1



P.C.板間隔柱 SPACER SUPPORT

MATERIAL: NYLON 66(UL)
FLAME CLASS: 94V-2
COLOR: NATURAL

PART NO	A	T P.C.B. THICKNESS	E	PACKAGE
MFR-15	15.0	1.2~1.6	3.5	1000



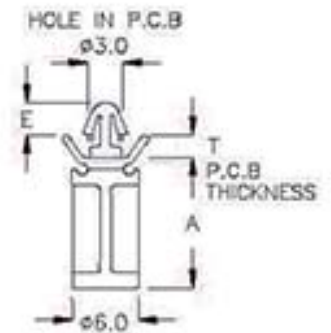
3-69-2



P.C.板間隔柱 SPACER SUPPORT

MATERIAL: NYLON 66(UL)
FLAME CLASS: 94V-2
COLOR: NATURAL

PART NO	A	T P.C.B. THICKNESS	E	PACKAGE
MFD-12	12.0	1.2~1.6	3.0	1000



3-69-3

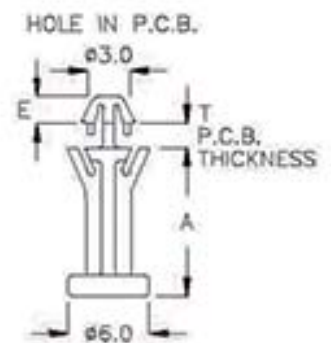


P.C.板間隔柱 SPACER SUPPORT

MATERIAL: NYLON 66(UL)
FLAME CLASS: 94V-2
COLOR: BLACK

NEW

PART NO	A	T CHASSIS THICKNESS	E	PACKAGE
★ MFRK-11A	11.0	1.4~1.6	2.0	1000



P.C.板間隔柱 SPACER SUPPORT

PINGOOD

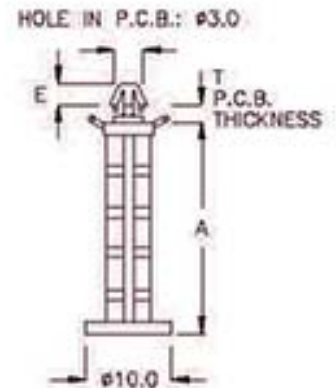
3-70-1



P.C.板間隔柱 SPACER SUPPORT

MATERIAL: NYLON 66(UL)
FLAME CLASS: 94V-2
COLOR: NATURAL

PART NO	A	T P.C.B. THICKNESS	E	PACKAGE
MFC-37KS	37.5	1.4~1.6	2.7	500
MFC-38C	38.4	1.2~1.6	2.7	

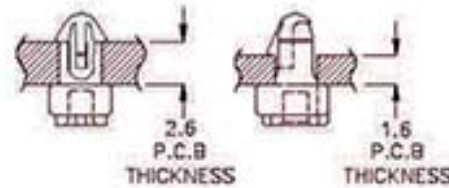


3-70-2

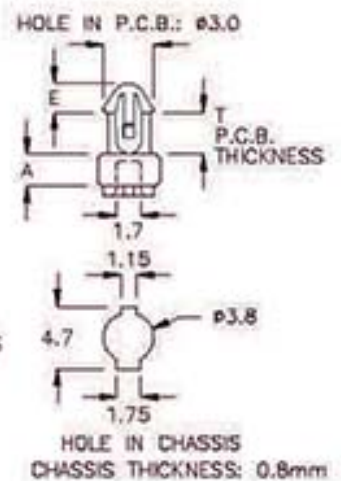


P.C.板間隔柱 SPACER SUPPORT

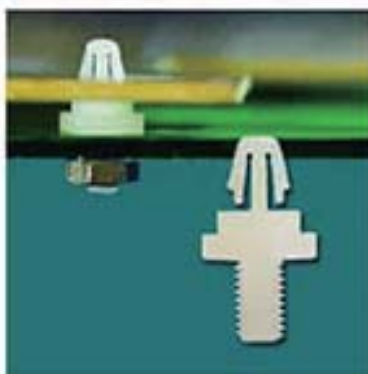
MATERIAL: NYLON 66(UL)
FLAME CLASS: 94V-2
COLOR: NATURAL
TAPPING SCREW M2x2.0



PART NO	A	T P.C.B. THICKNESS	E	PACKAGE
SDF-2C	2.15	1.6	2.0	2000
		2.6		



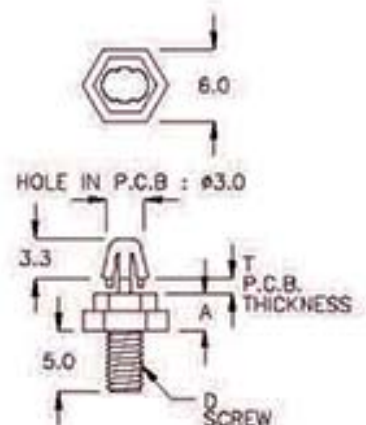
3-70-3



P.C.板間隔柱 SPACER SUPPORT

MATERIAL: NYLON 66(UL)
FLAME CLASS: 94V-2
COLOR: NATURAL

PART NO	A	T P.C.B. THICKNESS	D	PACKAGE
SDM-03	3.0	0.8~1.0	M3	2000
SDM-04	4.0	0.8~1.0	M2.5	2000



P.C.板間隔柱 SPACER SUPPORT

PINGOOD

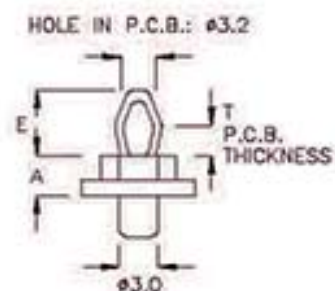
3-71-1



P.C.板間隔柱 SPACER SUPPORT

MATERIAL: NYLON 66(UL)
FLAME CLASS: 94V-2
COLOR: NATURAL

PART NO	A	T P.C.B. THICKNESS	E	PACKAGE
TCQ-03	3.0	1.4~1.6	4.8	1000



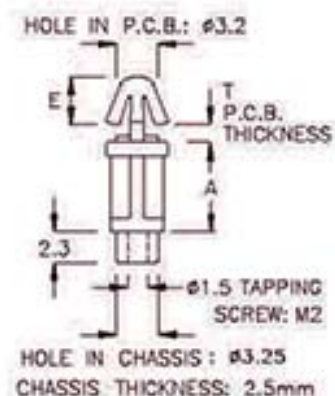
3-71-2



P.C.板間隔柱 SPACER SUPPORT

MATERIAL: NYLON 66(UL)
FLAME CLASS: 94V-2
COLOR: NATURAL

PART NO	A	T P.C.B. THICKNESS	E	PACKAGE
TAK-6A	6.6	1.0~1.2	3.5	2000



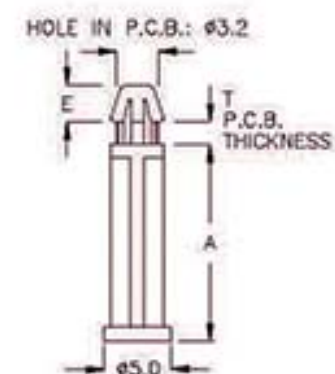
3-71-3



P.C.板間隔柱 SPACER SUPPORT

MATERIAL: NYLON 66(UL)
FLAME CLASS: 94V-2
COLOR: NATURAL

PART NO	A	T P.C.B. THICKNESS	E	PACKAGE
TCH-14A	14.5	1.4~1.6	2.7	1000



P.C.板間隔柱 SPACER SUPPORT

PINGOOD

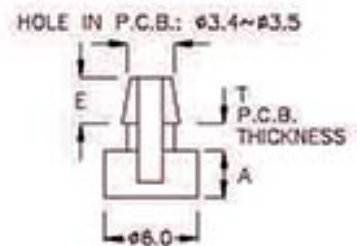
3-72-1



P.C.板間隔柱 SPACER SUPPORT

MATERIAL: NYLON 66(UL)
FLAME CLASS: 94V-2
COLOR: NATURAL

PART NO	A	T P.C.B. THICKNESS	E	PACKAGE
PCBS-3	3.0	1.4~1.6	3.0	2000
PCBS-3M	3.5	1.4~1.6	3.0	
PCBS-4	4.0	1.4~1.6	3.0	
PCBS-4M	4.5	1.4~1.6	3.0	
PCBS-5	5.0	1.4~1.6	3.0	



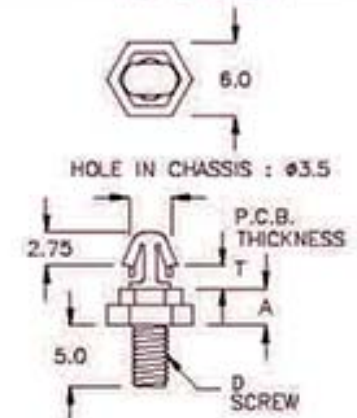
3-72-2



P.C.板間隔柱 SPACER SUPPORT

MATERIAL: NYLON 66(UL)
FLAME CLASS: 94V-2
COLOR: NATURAL

PART NO	A	T CHASSIS THICKNESS	D	PACKAGE
SDC-3TH	3.0	1.2~1.6	M3	2000



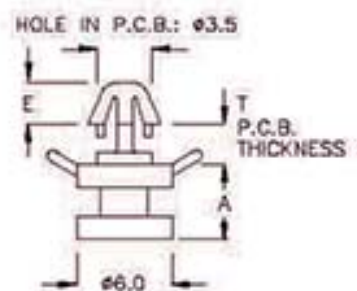
3-72-3



P.C.板間隔柱 SPACER SUPPORT

MATERIAL: NYLON 66(UL)
FLAME CLASS: 94V-2
COLOR: NATURAL

PART NO	A	T P.C.B. THICKNESS	E	PACKAGE
MF-04A	4.6	1.6~2.0	2.5	2000



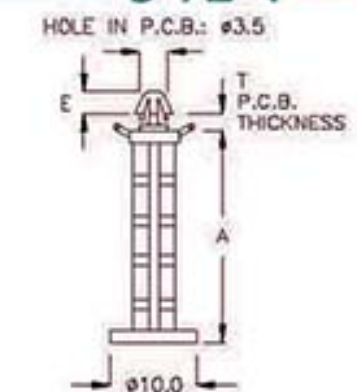
3-72-4



P.C.板間隔柱 SPACER SUPPORT

MATERIAL: NYLON 66(UL)
FLAME CLASS: 94V-2
COLOR: NATURAL

PART NO	A	T P.C.B. THICKNESS	E	PACKAGE
MF-36	35.95	1.4~1.6	2.5	500
MF-38A	38.35	1.4~1.6	2.5	



P.C.板間隔柱 SPACER SUPPORT

PINGOOD

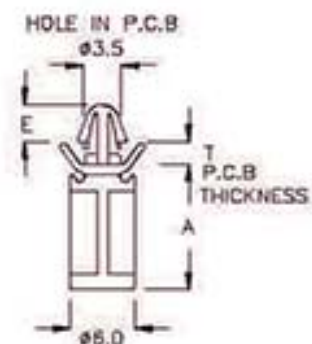
3-73-1



P.C.板間隔柱 SPACER SUPPORT

MATERIAL: NYLON 66(UL)
FLAME CLASS: 94V-2
COLOR: NATURAL

PART NO	A	T P.C.B. THICKNESS	E	PACKAGE
MFQ-4A	4.5	1.2~1.6	3.5	1000
MFQ-07	7.0	1.2~1.6	3.5	
MFQ-12	12.0	1.2~1.6	3.5	
MFQ-15	15.0	1.2~1.6	3.5	
MFQ-16	16.0	1.2~1.6	3.5	



3-73-2



P.C.板間隔柱 SPACER SUPPORT

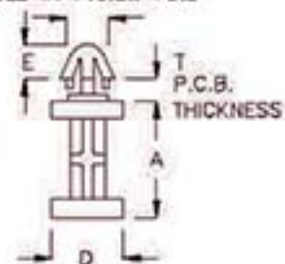
MATERIAL: NYLON 66(UL)
FLAME CLASS: 94V-2
COLOR: NATURAL

HOLE IN P.C.B.: ø3.5



FORM.1

HOLE IN P.C.B.: ø3.5



FORM.2

PART NO	A	D	T P.C.B. THICKNESS	E	FORM	PACKAGE
MF-003	3.0	ø6.0	1.3~1.6	3.0	1	2000
MF-03M	3.5	ø6.0	1.3~1.6	2.8	1	
MF-004	4.0	ø6.0	1.3~1.6	3.0	1	
MF-005	5.0	ø6.0	1.3~1.6	3.0	1	
MF-05M	5.5	ø6.0	1.3~1.6	2.8	1	
MF-10	10.0	ø3.5	0.8~1.0	3.0	1	
MF-10AD	10.0	ø6.0	1.2~1.4	2.8	1	1000
MF-13	13.0	ø6.0	1.0~1.2	2.9	2	
MF-19	19.0	ø6.0	1.0~1.2	2.9	2	500

3-73-3

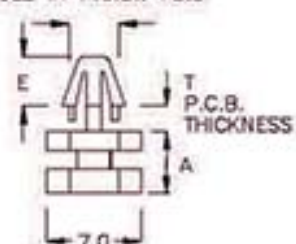


P.C.板間隔柱 SPACER SUPPORT

MATERIAL: NYLON 66(UL)
FLAME CLASS: 94V-2
COLOR: NATURAL

PART NO	A	T P.C.B. THICKNESS	E	PACKAGE
DCMS-4M	4.5	1.4~1.7	3.7	2000
DCMS-6	6.35	1.4~1.7	3.7	
DCMS-11SF	11.0	1.0~1.4	3.0	

HOLE IN P.C.B.: ø3.5



P.C.板間隔柱 SPACER SUPPORT

PINGOOD

3-74-1

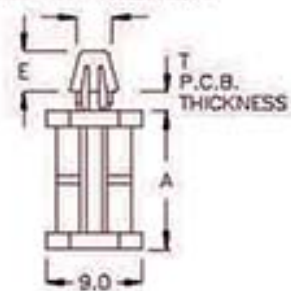


P.C.板間隔柱 SPACER SUPPORT

MATERIAL: NYLON 66(UL)
FLAME CLASS: 94V-2
COLOR: NATURAL

PART NO	A	T P.C.B. THICKNESS	E	PACKAGE
TCD-13	13.0	1.4~1.6	3.85	500

HOLE IN P.C.B.: $\phi 3.5$



3-74-2

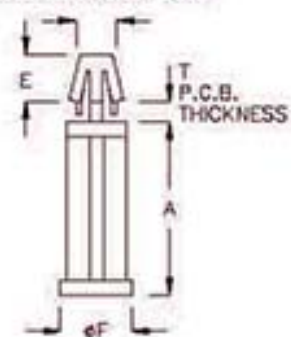


P.C.板間隔柱 SPACER SUPPORT

MATERIAL: NYLON 66(UL)
FLAME CLASS: 94V-2
COLOR: NATURAL

PART NO	A	T P.C.B. THICKNESS	E	F	PACKAGE
TCC-13A	13.5	1.4~1.6	5.0	9.0	1000
TCC-14	14.5	1.4~1.6	4.1	8.0	
TCC-14A	14.5	1.4~1.6	2.75	6.0	
TCC-21SD	21.0	1.0~1.2	2.8	8.0	500

HOLE IN P.C.B.: $\phi 3.5$



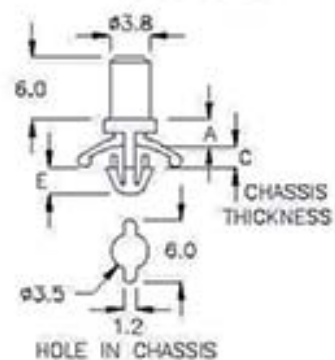
3-74-3



P.C.板間隔柱 SPACER SUPPORT

MATERIAL: NYLON 66(UL)
FLAME CLASS: 94V-2
COLOR: NATURAL

PART NO	A	C CHASSIS THICKNESS	E	PACKAGE
LCG-2K	2.65	0.6	2.5	1000



3-74-4

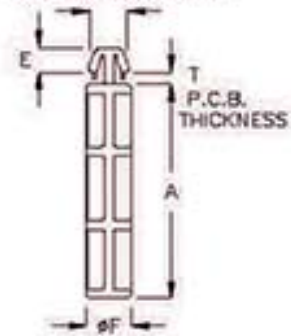


P.C.板間隔柱 SPACER SUPPORT

MATERIAL: NYLON 66(UL)
FLAME CLASS: 94V-2
COLOR: NATURAL

PART NO	A	T P.C.B. THICKNESS	E	F	PACKAGE
MOB-25M	25.5	1.0~1.2	2.8	5.0	500
MOB-28F	28.5	1.0~1.2	2.8	5.0	

HOLE IN P.C.B.: $\phi 3.55$



P.C.板間隔柱 SPACER SUPPORT

PINGOOD

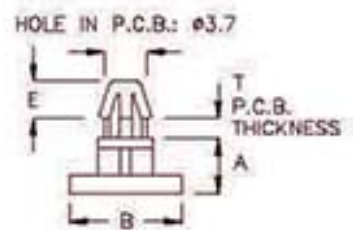
3-75-1



P.C.板間隔柱 SPACER SUPPORT

MATERIAL: NYLON 66(UL)
FLAME CLASS: 94V-2
COLOR: NATURAL

PART NO	A	B	T P.C.B. THICKNESS	E	PACKAGE
PCQ-03	3.0	φ5.5	1.4~1.6	3.2	2000
PCQ-4A	4.3	φ9.5	1.4~1.6	3.2	



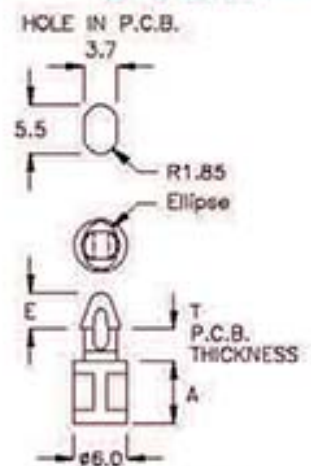
3-75-2



P.C.板間隔柱 SPACER SUPPORT

MATERIAL: NYLON 66(UL)
FLAME CLASS: 94V-2
COLOR: NATURAL

PART NO	A	T P.C.B. THICKNESS	E	PACKAGE
PCM-07	7.0	3.2~3.4	4.0	2000



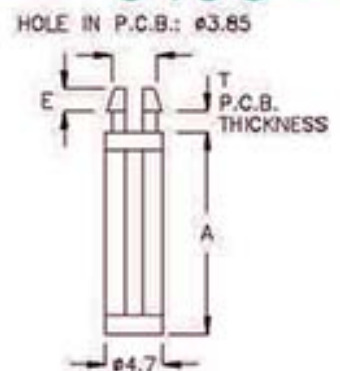
3-75-3



P.C.板間隔柱 SPACER SUPPORT

MATERIAL: NYLON 66(UL)
FLAME CLASS: 94V-2
COLOR: NATURAL

PART NO	A	T P.C.B. THICKNESS	E	PACKAGE
MCC-17S	16.6	1.4~1.6	2.0	1000



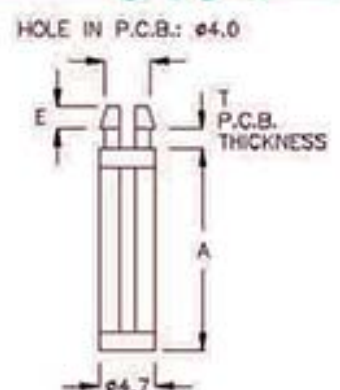
3-75-4



P.C.板間隔柱 SPACER SUPPORT

MATERIAL: NYLON 66(UL)
FLAME CLASS: 94V-2
COLOR: NATURAL

PART NO	A	T P.C.B. THICKNESS	E	PACKAGE
TCS-15	15.0	1.4~1.6	2.0	1000



P.C.板間隔柱 SPACER SUPPORT

PINGOOD

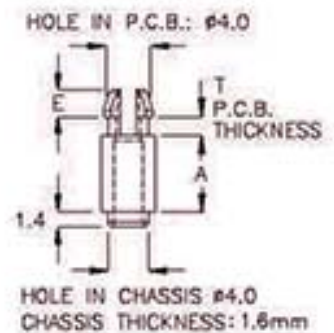
3-76-1



P.C.板間隔柱 SPACER SUPPORT

MATERIAL: NYLON 66(UL)
FLAME CLASS: 94V-2
COLOR: NATURAL
SCREW: M2x14 SCREW

PART NO	A	T P.C.B. THICKNESS	E	PACKAGE
MCJ-07	7.0	1.4~1.6	2.4	2000



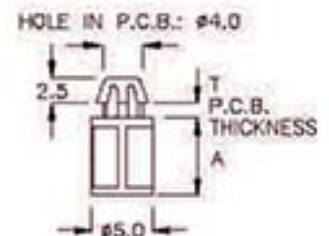
3-76-2



P.C.板間隔柱 SPACER SUPPORT

MATERIAL: NYLON 66(UL)
FLAME CLASS: 94V-2
COLOR: NATURAL

PART NO	A	T P.C.B. THICKNESS	PACKAGE
TCN-07	7.0	1.2~1.6	2000



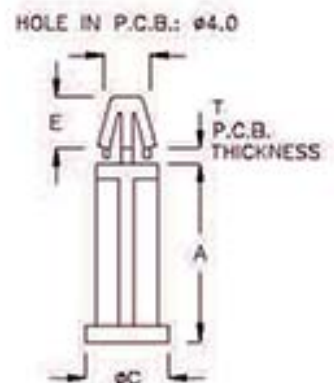
3-76-3



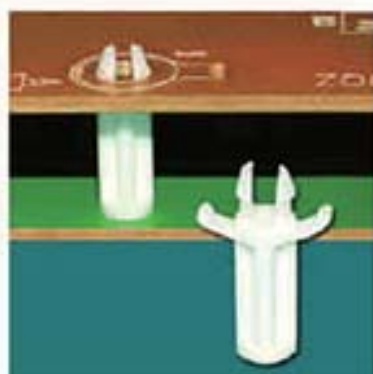
P.C.板間隔柱 SPACER SUPPORT

MATERIAL: NYLON 66(UL)
FLAME CLASS: 94V-2
COLOR: NATURAL

PART NO	A	T P.C.B. THICKNESS	C	E	PACKAGE
TCK-15	15.5	1.2~1.4	10.9	5.0	1000
TCK-17	17.5	1.2~1.4	10.9	5.0	500
TCK-21A	21.5	1.2~1.6	8.0	3.0	



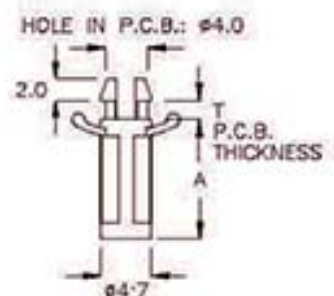
3-76-4



P.C.板間隔柱 SPACER SUPPORT

MATERIAL: NYLON 66(UL)
FLAME CLASS: 94V-2
COLOR: NATURAL

PART NO	A	T P.C.B. THICKNESS	PACKAGE
TCJ-11	11.0	1.2~1.6	1000
TCJ-12A	12.2	1.2~1.6	
TCJ-15	15.0	1.2~1.6	
TCJ-18	18.0	1.2~1.6	



P.C.板間隔柱 SPACER SUPPORT

PINGOOD

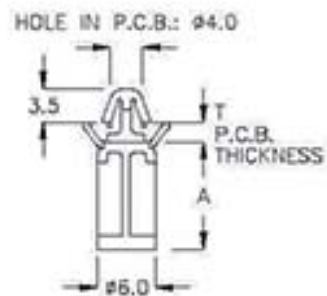
3-77-1



P.C.板間隔柱 SPACER SUPPORT

MATERIAL: NYLON 66(UL)
FLAME CLASS: 94V-2
COLOR: NATURAL

PART NO	A	T P.C.B. THICKNESS	PACKAGE
MFS-11	11.0	1.2~1.6	1000



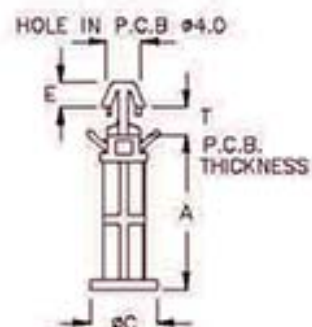
3-77-2



P.C.板間隔柱 SPACER SUPPORT

MATERIAL: NYLON 66(UL)
FLAME CLASS: 94V-2
COLOR: NATURAL

PART NO	A	T P.C.B. THICKNESS	C	E	PACKAGE
TCX-12	12.0	1.6~2.0	φ4.7	3.0	1000
TCX-19H	19.6	2.6~3.0	φ8.0	3.0	
TCX-21	21.0	1.4~1.8	φ8.0	3.0	500



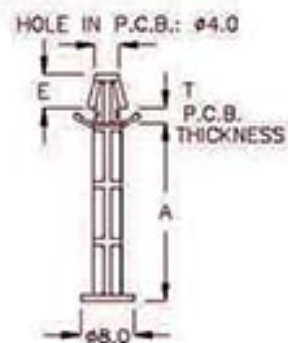
3-77-3



P.C.板間隔柱 SPACER SUPPORT

MATERIAL: NYLON 66(UL)
FLAME CLASS: 94V-2
COLOR: NATURAL

PART NO	A	T P.C.B. THICKNESS	E	PACKAGE
TAN-29F	29.4	1.4~1.6	4.9	500



3-77-4

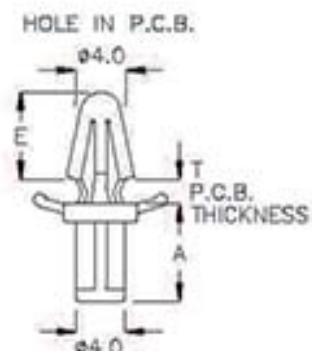


P.C.板間隔柱 SPACER SUPPORT

MATERIAL: NYLON 66(UL)
FLAME CLASS: 94V-2
COLOR: NATURAL

NEW

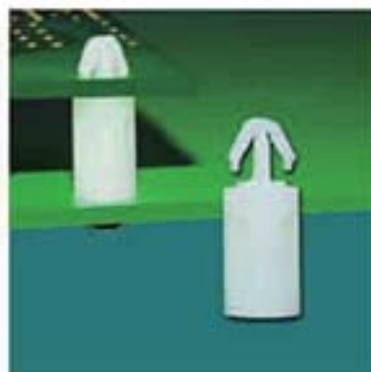
PART NO	A	E	T CHASSIS THICKNESS	PACKAGE
★ TCBR-8KF	8.0	7.1	1.6~1.7	1000



P.C.板間隔柱 SPACER SUPPORT

PINGOOD

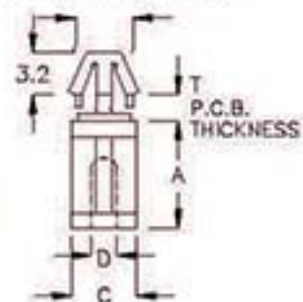
3-78-1



P.C.板間隔柱 SPACER SUPPORT

MATERIAL: NYLON 66(UL)
FLAME CLASS: 94V-2
COLOR: NATURAL

HOLE IN P.C.B.: $\phi 4.0$



PART NO	A	T P.C.B. THICKNESS	C	D TAPPING SCREW	PACKAGE
MC-5	5.0	1.2~1.7	$\phi 4.95$	M2.5	2000
MC-6	6.35	1.2~1.7	$\phi 4.9$	M2.5	
MC-10	9.7	1.2~1.7	$\phi 5.8$	M2.5	
MC-12	12.7	1.2~1.7	$\phi 5.8$	M2.5	1000

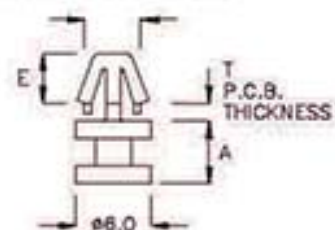
3-78-2



P.C.板間隔柱 SPACER SUPPORT

MATERIAL: NYLON 66(UL)
FLAME CLASS: 94V-2
COLOR: NATURAL

HOLE IN P.C.B.: $\phi 4.0$



PART NO	A	T P.C.B. THICKNESS	E	PACKAGE
MC-3M	3.5	0.9~1.1	3.2	2000
MC-4M	4.5	0.9~1.1	3.2	
MC-05C	5.0	0.9~1.1	4.0	
MC-5M	5.5	0.9~1.1	3.2	
MC-6F	6.0	0.9~1.1	3.2	

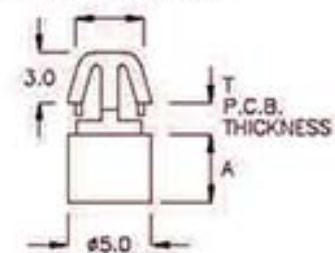
3-78-3



P.C.板間隔柱 SPACER SUPPORT

MATERIAL: NYLON 66(UL)
FLAME CLASS: 94V-2
COLOR: NATURAL

HOLE IN P.C.B.: $\phi 4.0$



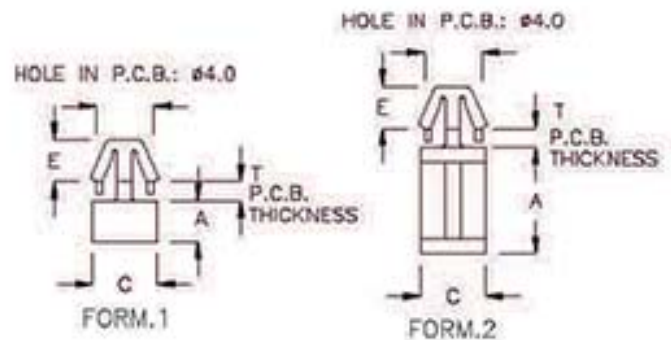
PART NO	A	T P.C.B. THICKNESS	PACKAGE
MC-04F	4.0	1.2~1.6	2000

P.C.板間隔柱SPACER SUPPORT

PINGOOD

3-79-1

P.C.板間隔柱 SPACER SUPPORT



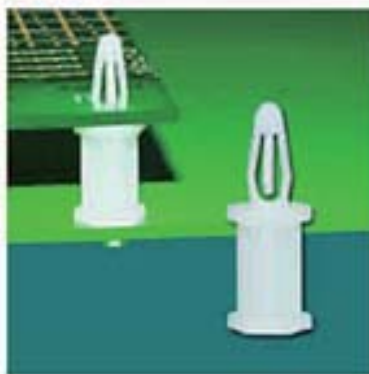
MATERIAL: NYLON 66(UL)
FLAME CLASS: 94V-2
COLOR: NATURAL

PART NO	A	T P.C.B. THICKNESS	C	E	FORM	PACKAGE
MC-1AX	1.5	0.6~0.8	φ5.0	3.0	1	2000
MC-002	2.0	0.6~0.8	φ5.0	3.6	1	
MC-02A	2.0	0.7~0.8	φ4.8	2.5	1	
MC-02C	2.0	0.9~1.2	φ5.0	3.8	1	
MC-2DP	2.0	0.85~1.15	φ6.8	2.2	1	
MC-2M	2.5	1.2~1.6	φ5.0	3.6	1	
MC-2NJ	2.0	0.85~1.0	φ5.0	2.2	1	
MC-2P	2.3	1.2~1.6	φ5.0	3.5	1	
MC-3	3.0	1.2~1.7	φ5.1	3.4	2	
MC-3A	3.0	1.6~2.0	φ7.0	2.9	2	
MC-3K	3.5	1.2~1.6	φ5.0	3.5	2	
MC-3QS	3.2	1.2~1.6	φ5.0	3.5	2	
MC-4	4.0	1.2~1.7	φ5.2	3.4	2	
MC-4KP	4.0	1.6~1.8	φ7.0	2.9	2	
MC-04D	4.5	1.2~1.7	φ5.0	3.3	2	
MC-5B	5.0	0.8~1.0	φ5.1	3.4	2	
MC-06A	6.5	1.2~1.7	φ5.0	3.3	2	
MC-07M	7.5	1.2~1.7	φ5.0	3.3	2	1000
MC-8	8.0	1.2~1.7	φ4.9	3.6	2	
MC-8A	8.5	1.2~1.6	φ5.1	3.3	2	
MC-09	9.0	1.2~1.6	φ5.1	3.3	2	
MC-10A	10.0	1.2~1.6	φ5.1	3.3	2	
MC-14	14.0	1.2~1.6	φ5.1	3.5	2	
MC-14C	14.5	1.2~1.6	φ5.1	3.0	2	
MC-15C	15.9	1.2~1.6	φ5.1	3.0	2	500
MC-35	35.0	1.2~1.6	φ5.1	3.3	2	

P.C.板間隔柱 SPACER SUPPORT

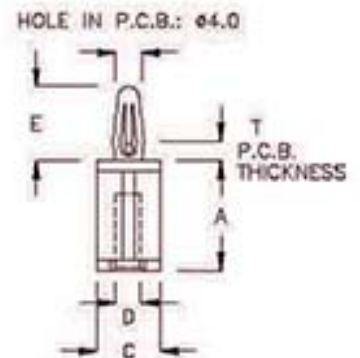
PINGOOD

3-80-1



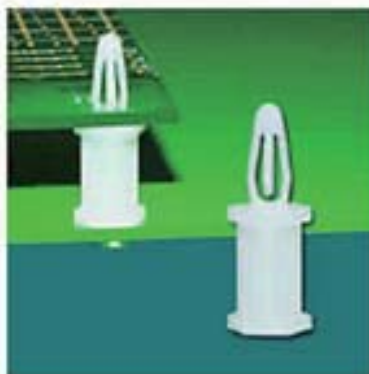
P.C.板間隔柱 SPACER SUPPORT

MATERIAL: NYLON 66(UL)
FLAME CLASS: 94V-2
COLOR: NATURAL



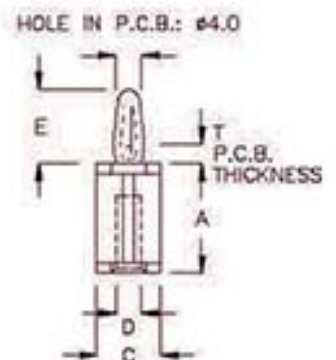
PART NO	A	T P.C.B. THICKNESS	C	SCREW & THICKNESS		E	PACKAGE
				D TAPPING SCREW	SUITABLE THICKNESS		
BCBS-6	6.35	1.2~1.7	9.0	M3.5X6	1.0	10.7	500
BCBS-8	8.0	1.2~1.7	8.9	M3.5X8	1.0	10.6	
BCBS-10	10.0	1.2~1.7	9.0	M3.5X6	1.0	10.1	
BCBS-12	12.7	1.2~1.7	8.9	M3.5X6	1.0	10.6	
BCBS-14	14.0	1.2~1.7	9.2	M3.5X6	1.0	10.2	
BCBS-15	15.9	1.2~1.7	9.1	M3.5X6	1.0	10.1	
BCBS-29A	29.0	1.2~1.7	9.2	M3.5X6	1.0	10.4	
BCBS-29	29.4	1.2~1.7	9.2	M3X6	1.0	10.4	

3-80-2



P.C.板間隔柱 SPACER SUPPORT

MATERIAL: NYLON 66(UL)
FLAME CLASS: 94V-2
COLOR: NATURAL



PART NO	A	T P.C.B. THICKNESS	C	SCREW & THICKNESS		E	PACKAGE
				D TAPPING SCREW	SUITABLE THICKNESS		
BCMS-6	6.35	1.2~1.7	9.0	M3X6	1.0	10.7	500
BCMS-6AD	6.0	1.2~1.7	8.6	M3X5	1.0	10.2	
BCMS-8	8.0	1.2~1.7	8.9	M3X6	1.0	10.6	
BCMS-10	10.0	1.2~1.7	9.0	M3X6	1.0	10.1	
BCMS-12	12.7	1.2~1.7	8.9	M3X6	1.0	10.6	
BCMS-14	14.0	1.2~1.7	9.2	M3X6	1.0	10.3	

P.C.板間隔柱 SPACER SUPPORT

PINGOOD

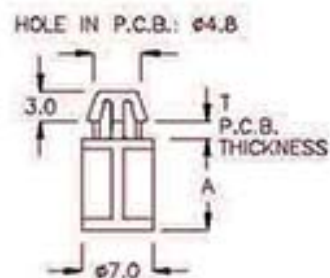
3-81-1



P.C.板間隔柱 SPACER SUPPORT

MATERIAL: NYLON 66 (UL)
FLAME CLASS: 94V-2
COLOR: NATURAL

PART NO	A	T P.C.B. THICKNESS	PACKAGE
TCY-09	9.0	1.2~1.6	1000
TCY-12A	12.8	1.2~1.6	
TCY-16	16.0	1.2~1.6	
TCY-18	18.0	1.2~1.6	
TCY-22	22.0	1.2~1.6	



3-81-2

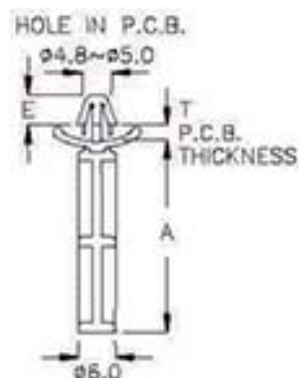


P.C.板間隔柱 SPACER SUPPORT

MATERIAL: NYLON 66 (UL)
FLAME CLASS: 94V-2
COLOR: NATURAL

NEW

PART NO	A	T CHASSIS THICKNESS	E	PACKAGE
★ MFW-31A	31.35	0.8~2.0	5.0	500



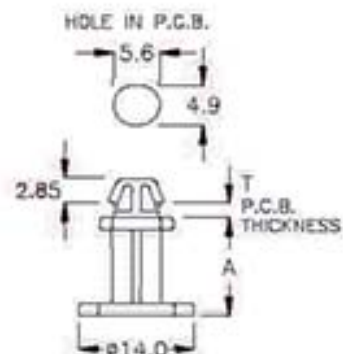
3-81-3



P.C.板間隔柱 SPACER SUPPORT

MATERIAL: NYLON 66 (UL)
FLAME CLASS: 94V-2
COLOR: NATURAL

PART NO	A	T P.C.B. THICKNESS	PACKAGE
TCYA-12JM	12.0	1.6	1000



P.C.板間隔柱 SPACER SUPPORT

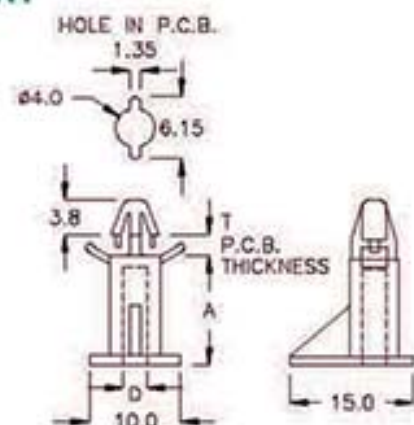
PINGOOD

3-82-1



P.C.板間隔柱 SPACER SUPPORT

MATERIAL: NYLON 66(UL)
FLAME CLASS: 94V-2
COLOR: NATURAL



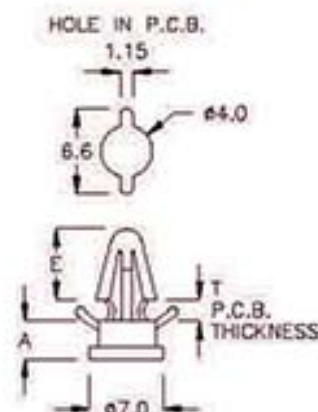
PART NO	A	T P.C.B. THICKNESS	SCREW & THICKNESS		PACKAGE
			D TAPPING SCREW	SUITABLE THICKNESS	
TAJ-12	12.0	1.2~2.1	M3XB	1.0	500

3-82-2



P.C.板間隔柱 SPACER SUPPORT

MATERIAL: NYLON 66(UL)
FLAME CLASS: 94V-2
COLOR: NATURAL



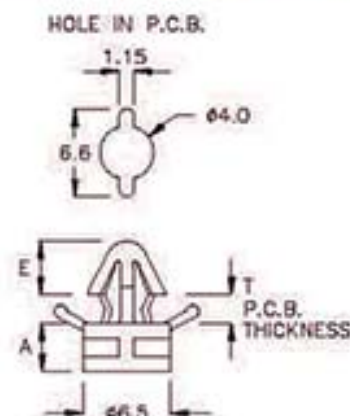
PART NO	A	T P.C.B. THICKNESS	E	PACKAGE
TCA-3F	3.6	1.5~1.8	6.8	1000

3-82-3



P.C.板間隔柱 SPACER SUPPORT

MATERIAL: NYLON 66(UL)
FLAME CLASS: 94V-2
COLOR: NATURAL



PART NO	A	T P.C.B. THICKNESS	E	PACKAGE
TCR-3A	3.6	1.2~1.7	4.0	2000

P.C.板間隔柱 SPACER SUPPORT

PINGOOD

3-83-1

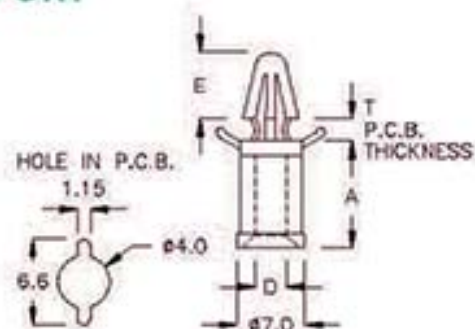


P.C.板間隔柱 SPACER SUPPORT

MATERIAL: NYLON 66(UL)

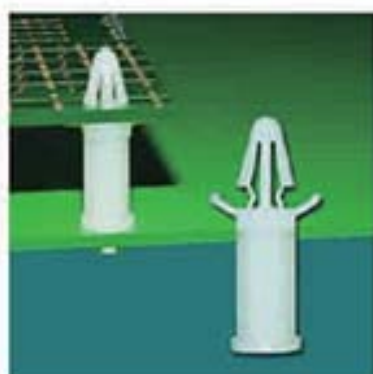
FLAME CLASS: 94V-2

COLOR: NATURAL



PART NO	A	T P.C.B. THICKNESS	SCREW & THICKNESS		E	PACKAGE
			D TAPPING SCREW	SUITABLE THICKNESS		
TCA-3K	3.6	1.2~1.7	M3X3	1.0	5.0	1000
TCA-4A	4.5	1.2~1.7	M3X4	1.0	8.8	500
TCA-5C	5.5	1.2~1.7	M3X5	1.0	4.0	1000
TCA-07	7.0	1.2~1.7	M3X6	1.0	6.8	
TCA-7A	7.7	1.2~1.7	M3X7	1.0	5.8	
TCA-8A	8.5	1.2~1.7	M3X7	1.0	6.8	
TCA-8C	8.5	1.2~1.7	M3X7	1.0	5.8	

3-83-2

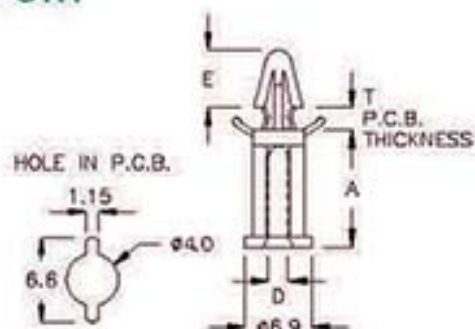


P.C.板間隔柱 SPACER SUPPORT

MATERIAL: NYLON 66(UL)

FLAME CLASS: 94V-2

COLOR: NATURAL

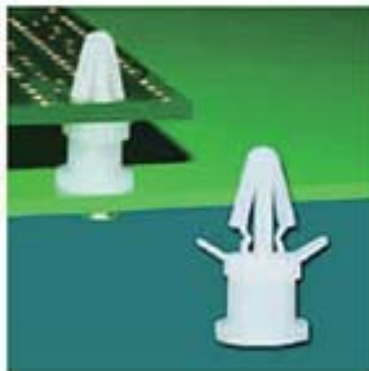


PART NO	A	T P.C.B. THICKNESS	SCREW & THICKNESS		E	PACKAGE
			D TAPPING SCREW	SUITABLE THICKNESS		
TCA-14	14.0	1.1~1.7	M3X10	1.0	7.0	500

P.C.板間隔柱 SPACER SUPPORT

PINGOOD

3-84-1



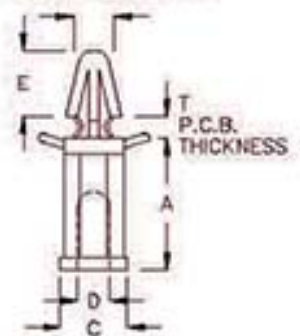
P.C.板間隔柱 SPACER SUPPORT

MATERIAL: NYLON 66(UL)

FLAME CLASS: 94V-2

COLOR: NATURAL

HOLE IN P.C.B.: $\phi 4.0$



PART NO	A	T P.C.B. THICKNESS	C	SCREW & THICKNESS		E	PACKAGE
				D TAPPING SCREW	SUITABLE THICKNESS		
TCBS-5	5.0	1.2~1.9	$\phi 6.9$	M3X4.5	1.0	7.1	1000
TCBS-5A	5.5	1.2~1.9	$\phi 6.9$	M3X4.5	1.0	7.1	
TCBS-6	6.35	1.2~1.9	$\phi 6.0$	M3X5	1.0	6.8	
TCBS-7	7.0	1.2~1.9	$\phi 7.8$	M3X6	1.0	6.8	
TCBS-10	10.0	1.2~1.9	$\phi 6.9$	M3X6	1.0	7.1	
TCBS-12K	12.5	1.2~1.9	$\phi 6.9$	M3X8	1.0	6.8	
TCBS-15	15.0	1.2~1.9	$\phi 6.9$	M3X10	1.0	7.1	
TCBS-18	18.0	1.2~1.9	$\phi 6.9$	M3X10	1.0	6.8	
TCBS-20	20.0	1.2~1.9	$\phi 6.8$	M3X10	1.0	7.1	
TCBS-25	25.0	1.2~1.9	$\phi 6.9$	M3X10	1.0	7.1	
TCBS-27A	27.4	1.2~1.9	$\phi 6.9$	M3X10	1.0	6.8	
TCBS-29	29.3	1.2~1.9	$\phi 6.9$	M3X10	1.0	6.8	
TCBS-30	30.0	1.2~1.9	$\phi 6.9$	M3X10	1.0	7.1	
TCBS-35	35.0	1.2~1.9	$\phi 6.9$	M3X10	1.0	7.1	
TCBS-38	38.0	1.2~1.9	$\phi 9.9$	M3X10	1.0	7.1	
TCBS-40	40.0	1.2~1.9	$\phi 7.0$	M3X10	1.0	7.1	
TCBS-49	49.0	1.2~1.9	$\phi 8.1$	M3X10	1.0	6.6	

3-84-2



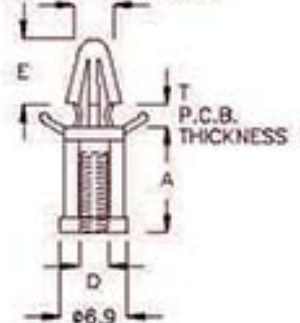
P.C.板間隔柱 SPACER SUPPORT

MATERIAL: NYLON 66(UL)

FLAME CLASS: 94V-2

COLOR: NATURAL

HOLE IN P.C.B.: $\phi 4.0$



PART NO	A	T P.C.B. THICKNESS	SCREW & THICKNESS		E	PACKAGE
			D SCREW	SUITABLE THICKNESS		
TCM3-7	7.0	1.2~1.7	M3X7	1.0	6.8	1000
TCM3-8M	8.5	1.2~1.7	M3X6	1.0	6.8	
TCM3-11	11.0	1.2~1.7	M3X8	1.0	6.8	

P.C.板間隔柱 SPACER SUPPORT

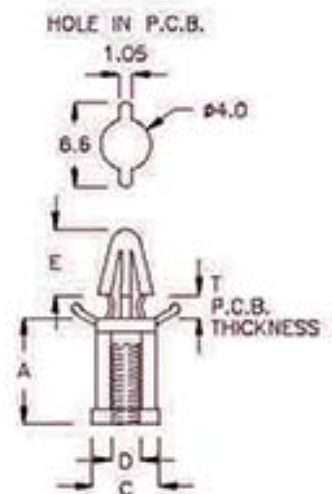
PINGOOD

3-85-1



P.C.板間隔柱 SPACER SUPPORT

MATERIAL: NYLON 66(UL)
FLAME CLASS: 94V-2
COLOR: NATURAL



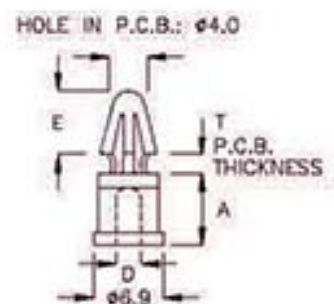
PART NO	A	T P.C.B. THICKNESS	C	SCREW & THICKNESS		E	PACKAGE
				D SCREW	SUITABLE THICKNESS		
TCM3-BMF	8.5	1.2~1.7	φ6.9	M3X7	1.0	6.9	1000

3-85-2



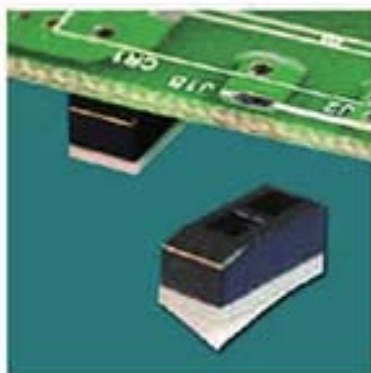
P.C.板間隔柱 SPACER SUPPORT

MATERIAL: NYLON 66(UL)
FLAME CLASS: 94V-2
COLOR: NATURAL



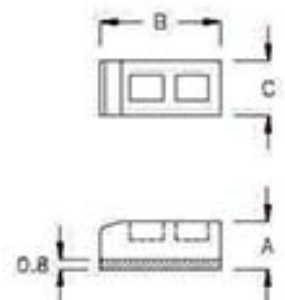
PART NO	A	T P.C.B. THICKNESS	SCREW & THICKNESS		E	PACKAGE
			D TAPPING SCREW	SUITABLE THICKNESS		
TCL-07	7.0	1.2~1.7	M3X7	1.0	6.2	1000

3-85-3



P.C.板間隔柱 SPACER SUPPORT

MATERIAL: PC(UL)
FLAME CLASS: 94V-2
COLOR: BLACK
ADHESIVE TAPE: 3M

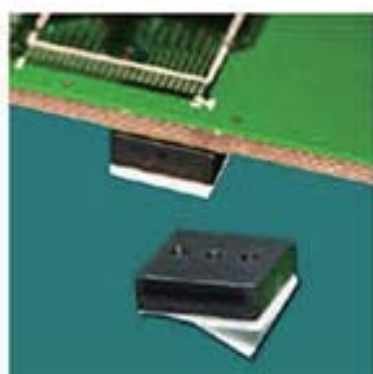


PART NO	A	B	C	PACKAGE
MSR-4Q	3.95	10.0	4.5	2000

P.C.板間隔柱 SPACER SUPPORT

PINGOOD

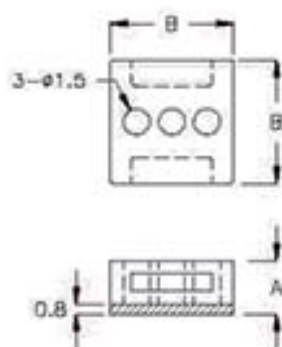
3-86-1



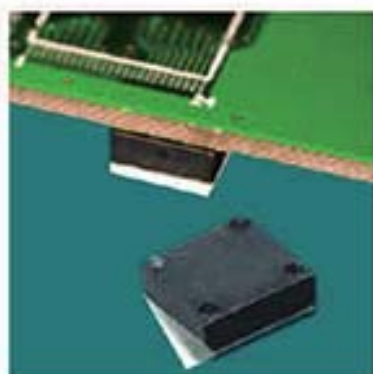
P.C.板間隔柱 SPACER SUPPORT

MATERIAL: NYLON 66(UL)
FLAME CLASS: 94V-2
COLOR: BLACK
ADHESIVE TAPE: 3M

PART NO	A	B	PACKAGE
MSK-2C	3.3	10.0	2000
MSK-2F	3.3	7.0	
MSK-3AF	3.8	10.0	1000
MSK-3D	4.3	10.0	
MSK-6K	6.1	10.0	



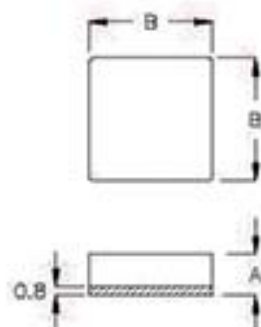
3-86-2



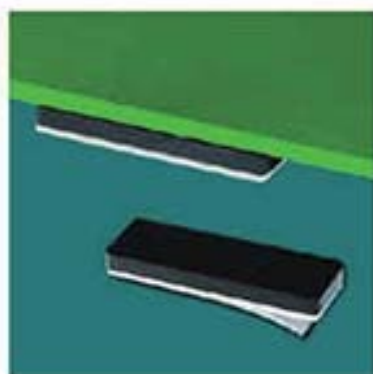
P.C.板間隔柱 SPACER SUPPORT

MATERIAL: NYLON 66(UL)
FLAME CLASS: 94V-2
COLOR: BLACK
ADHESIVE TAPE: 3M

PART NO	A	B	PACKAGE
MSK-2A	3.3	10.0	2000
MSK-2RY	2.3	10.0	



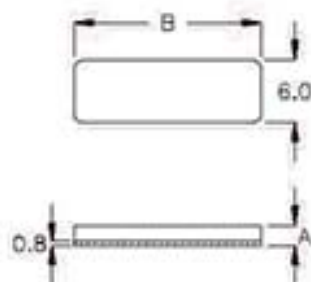
3-86-3



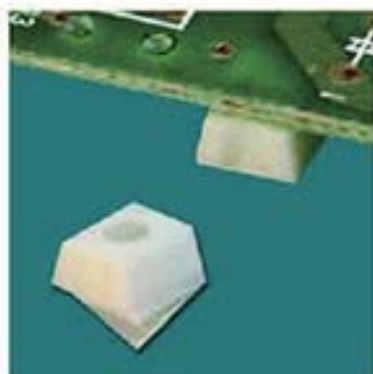
P.C.板間隔柱 SPACER SUPPORT

MATERIAL: NYLON 66(UL)
FLAME CLASS: 94V-2
COLOR: BLACK
ADHESIVE TAPE: 3M

PART NO	A	B	PACKAGE
MSLQ-2	2.35	18.0	1000



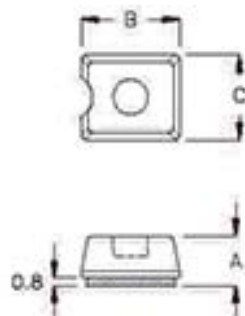
3-86-4



P.C.板間隔柱 SPACER SUPPORT

MATERIAL: NYLON 66(UL)
FLAME CLASS: 94V-2
COLOR: NATURAL
ADHESIVE TAPE: 3M

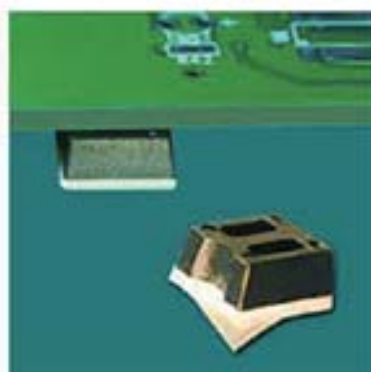
PART NO	A	B	C	PACKAGE
MSZ-3Q	3.8	7.0	6.0	2000



P.C.板間隔柱 SPACER SUPPORT

PINGOOD

3-87-1



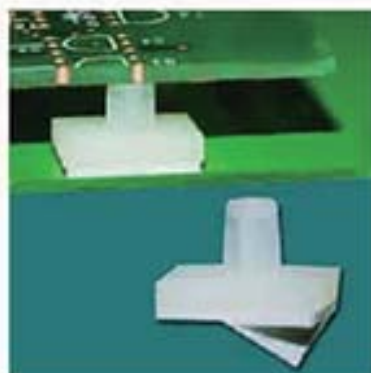
P.C.板間隔柱 SPACER SUPPORT

MATERIAL: NYLON 66(UL)
 FLAME CLASS: 94V-2
 COLOR: BLACK
 ADHESIVE TAPE: 3M

PART NO	A	B	C	PACKAGE
MSZ-3KS	3.6	7.0	6.0	2000
MSZ-4ST	5.1	7.0	6.0	
MSZ-5RY	5.75	7.0	6.0	



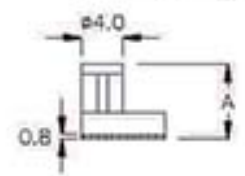
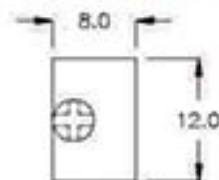
3-87-2



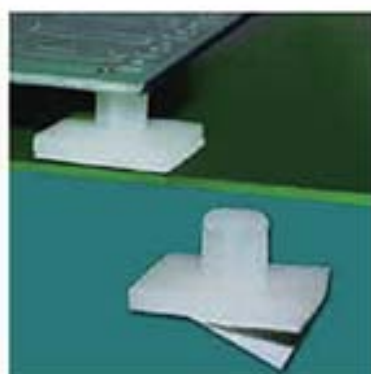
P.C.板間隔柱 SPACER SUPPORT

MATERIAL: NYLON 66(UL)
 FLAME CLASS: 94V-2
 COLOR: NATURAL
 ADHESIVE TAPE: 3M

PART NO	A	PACKAGE
MSA-6A	7.7	500
MSA-10	9.8	



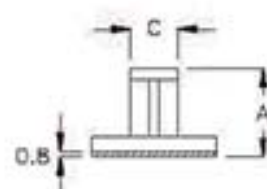
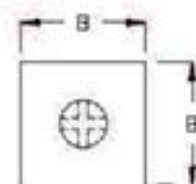
3-87-3



P.C.板間隔柱 SPACER SUPPORT

MATERIAL: NYLON 66(UL)
 FLAME CLASS: 94V-2
 COLOR: NATURAL
 ADHESIVE TAPE: 3M

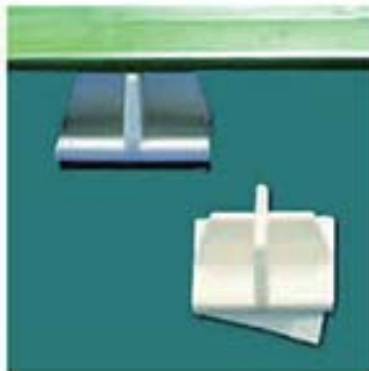
PART NO	A	B	C	PACKAGE
MST-05	5.0	12.0	$\phi 6.9$	500
MST-6C	6.35	12.0	$\phi 6.9$	
MST-07	7.0	18.1	$\phi 6.9$	
MST-9A	9.4	18.1	$\phi 6.9$	
MST-10FC	10.8	18.0	$\phi 8.0$	
MST-16	15.9	18.1	$\phi 6.9$	
MST-16SA	16.4	18.1	$\phi 6.9$	
MST-19BH	19.4	18.0	$\phi 8.0$	
MST-20CQ	20.6	18.1	$\phi 6.9$	
MST-22	21.8	18.0	$\phi 6.9$	
MST-37F	37.0	18.1	$\phi 6.9$	



P.C.板間隔柱 SPACER SUPPORT

PINGOOD

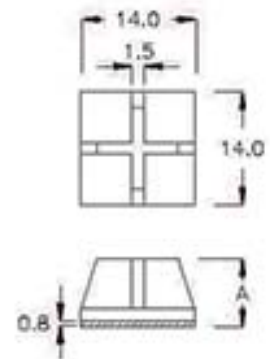
3-88-1



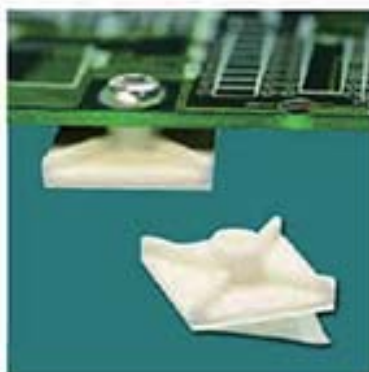
P.C.板間隔柱 SPACER SUPPORT

MATERIAL: NYLON 66(UL)
FLAME CLASS: 94V-2
COLOR: NATURAL
ADHESIVE TAPE: 3M

PART NO	A	PACKAGE
MSQ-7A	8.4	500
MSQ-7C	7.5	
MSQ-27K	27.4	



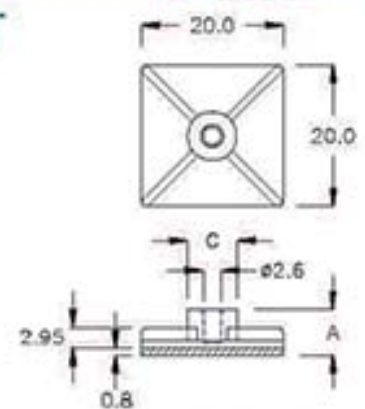
3-88-2



P.C.板間隔柱 SPACER SUPPORT

MATERIAL: NYLON 66(UL)
FLAME CLASS: 94V-2
COLOR: NATURAL
ADHESIVE TAPE: 3M
SCREW: M3 TAPPING SCREW

PART NO	A	C	PACKAGE
MSS-6A	6.35	φ7.0	500



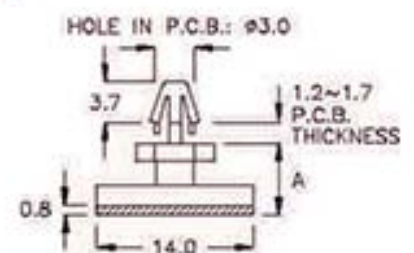
3-88-3



P.C.板間隔柱 SPACER SUPPORT

MATERIAL: NYLON 66(UL)
FLAME CLASS: 94V-2
COLOR: NATURAL
ADHESIVE TAPE: 3M

PART NO	A	ADHESIVE AREA	PACKAGE
MSB-6A	6.3	14.0x14.0	500
MSB-11A	12.6	14.0x14.0	



3-88-4

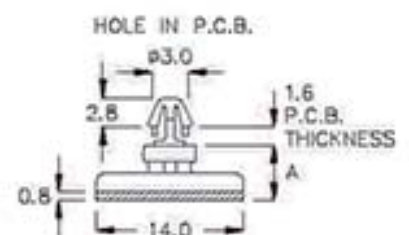


P.C.板間隔柱 SPACER SUPPORT

MATERIAL: NYLON 66(UL)
FLAME CLASS: 94V-2
COLOR: NATURAL
ADHESIVE TAPE: 3M

NEW

PART NO	A	ADHESIVE AREA	PACKAGE
★ MSBA-5TG	5.2	14.0x14.0	500



P.C.板間隔柱 SPACER SUPPORT

PINGOOD

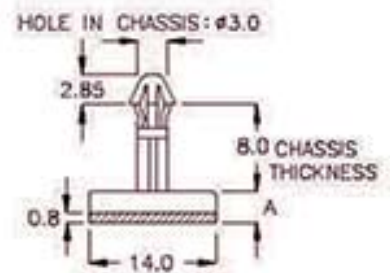
3-89-1



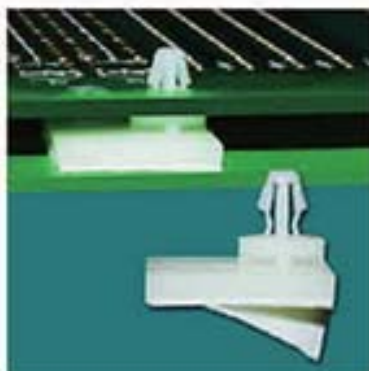
P.C.板間隔柱 SPACER SUPPORT

MATERIAL: NYLON 66(UL)
FLAME CLASS: 94V-2
COLOR: NATURAL
ADHESIVE TAPE: 3M

PART NO	A	ADHESIVE AREA	PACKAGE
MSP-03	2.8	14.0x16.0	2000



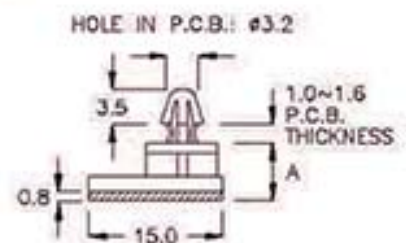
3-89-2



P.C.板間隔柱 SPACER SUPPORT

MATERIAL: NYLON 66(UL)
FLAME CLASS: 94V-2
COLOR: NATURAL
ADHESIVE TAPE: 3M

PART NO	A	ADHESIVE AREA	PACKAGE
AAA-01	3.0	15.0x15.0	500
AAA-3A	4.5	15.0x15.0	



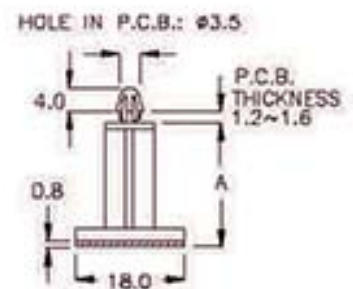
3-89-3



P.C.板間隔柱 SPACER SUPPORT

MATERIAL: NYLON 66(UL)
FLAME CLASS: 94V-2
COLOR: NATURAL
ADHESIVE TAPE: 3M

PART NO	A	ADHESIVE AREA	PACKAGE
MSC-20A	20.3	18.0x18.0	500



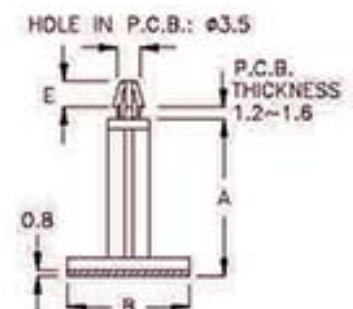
3-89-4



P.C.板間隔柱 SPACER SUPPORT

MATERIAL: NYLON 66(UL)
FLAME CLASS: 94V-2
COLOR: NATURAL
ADHESIVE TAPE: 3M

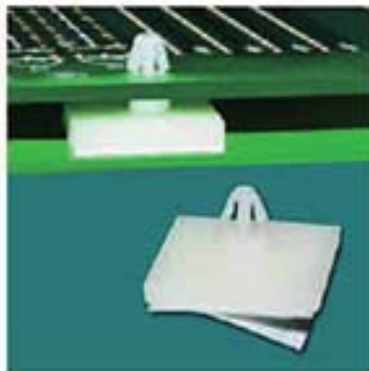
PART NO	A	E	B ADHESIVE AREA	PACKAGE
MSF-13F	13.8	2.9	14.5x14.5	1000
MSF-25	25.1	3.85	18.0x18.0	200



P.C.板間隔柱 SPACER SUPPORT

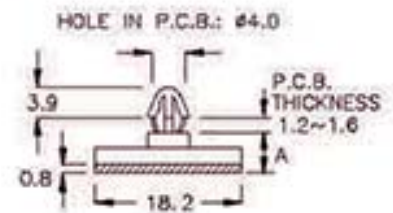
PINGOOD

3-90-1



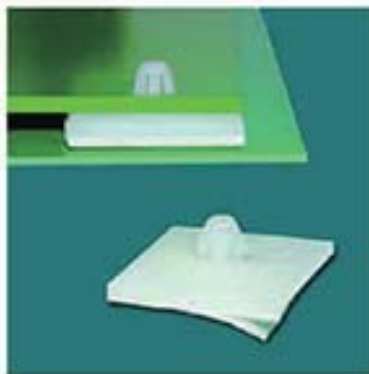
P.C.板間隔柱 SPACER SUPPORT

MATERIAL: NYLON 66(UL)
 FLAME CLASS: 94V-2
 COLOR: NATURAL
 ADHESIVE TAPE: 3M



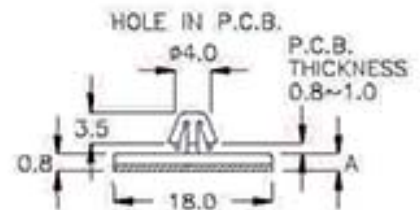
PART NO	A	ADHESIVE AREA	PACKAGE
SCTMS-5	4.7	18.2x18.2	500

3-90-2



P.C.板間隔柱 SPACER SUPPORT

MATERIAL: NYLON 66(UL)
 FLAME CLASS: 94V-2
 COLOR: NATURAL
 ADHESIVE TAPE: 3M



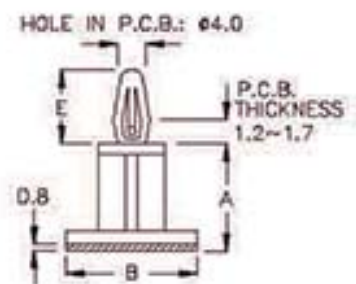
PART NO	A	ADHESIVE AREA	PACKAGE
★ MSY-2A	2.0	18.0x18.0	500

3-90-3



P.C.板間隔柱 SPACER SUPPORT

MATERIAL: NYLON 66(UL)
 FLAME CLASS: 94V-2
 COLOR: NATURAL
 ADHESIVE TAPE: 3M

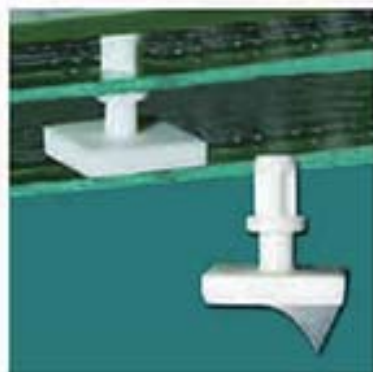


PART NO	A	E	B	ADHESIVE AREA	PACKAGE
MS-6	6.25	10.2	18.0	18.0x18.0	500
MS-8	7.9	9.7	18.0	18.0x18.0	
MS-10	9.5	10.2	18.0	18.0x18.0	
MS-11A	11.5	4.9	18.0	18.0x18.0	
MS-12	12.6	10.3	18.0	18.0x18.0	
MS-16A	16.4	10.2	19.9	19.9x19.9	
MS-19	19.3	10.2	18.0	18.0x18.0	200
MS-22	22.2	9.6	18.0	18.0x18.0	

P.C.板間隔柱 SPACER SUPPORT

PINGOOD

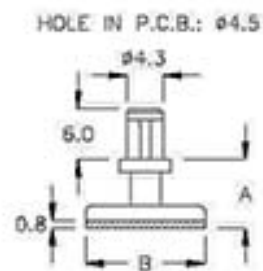
3-91-1



P.C.板間隔柱 SPACER SUPPORT

MATERIAL: NYLON 66(UL)
FLAME CLASS: 94V-2
COLOR: NATURAL
ADHESIVE TAPE: 3M

PART NO	A	B	ADHESIVE AREA	PACKAGE
MSH-8RL	8.0	14.0	14.0x14.0	500



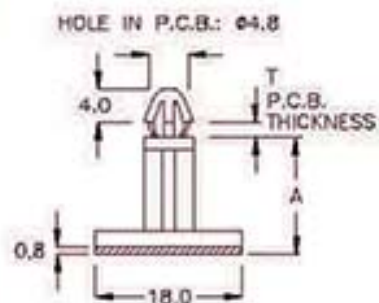
3-91-2



P.C.板間隔柱 SPACER SUPPORT

MATERIAL: NYLON 66(UL)
FLAME CLASS: 94V-2
COLOR: NATURAL
ADHESIVE TAPE: 3M

PART NO	A	ADHESIVE AREA	T P.C.B. THICKNESS	PACKAGE
MSD-15	14.2	18.0x18.0	1.2~1.6	500



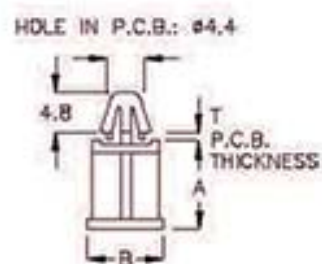
3-91-3



P.C.板間隔柱 SPACER SUPPORT

MATERIAL: NYLON 66(UL)
FLAME CLASS: 94V-2
COLOR: NATURAL

PART NO	A	B	T P.C.B. THICKNESS	PACKAGE
TCT-10A	10.8	φ9.0	0.8~0.8	1000



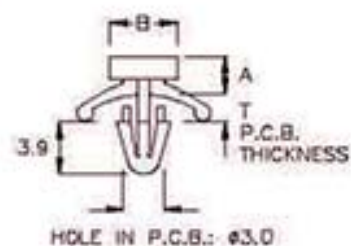
3-91-4



P.C.板間隔柱 SPACER SUPPORT

MATERIAL: NYLON 66(UL)
FLAME CLASS: 94V-2
COLOR: NATURAL

PART NO	A	B	T P.C.B. THICKNESS	PACKAGE
LSJ-2A	2.8	φ5.0	0.8~1.4	1000



P.C.板間隔柱 SPACER SUPPORT

PINGOOD

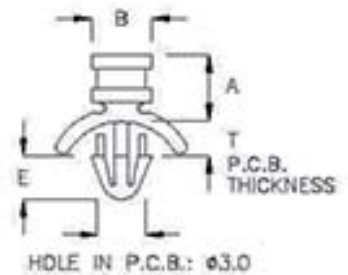
3-92-1



P.C.板間隔柱 SPACER SUPPORT

MATERIAL: NYLON 66(UL)
FLAME CLASS: 94V-2
COLOR: NATURAL

PART NO	A	B	E	T P.C.B. THICKNESS	PACKAGE
LSF-05	5.15	φ4.3	3.15	0.8~1.6	2000
LSF-8KM	8.25	φ4.5	3.2	0.8~2.0	



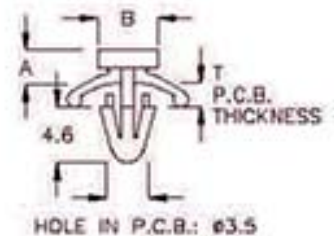
3-92-2



P.C.板間隔柱 SPACER SUPPORT

MATERIAL: NYLON 66(UL)
FLAME CLASS: 94V-2
COLOR: NATURAL

PART NO	A	B	T P.C.B. THICKNESS	PACKAGE
LSH-2A	2.7	φ5.0	0.8~1.6	1000
LSH-2DH	1.8	φ5.0	0.8~1.6	



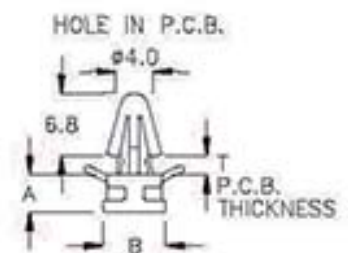
3-92-3



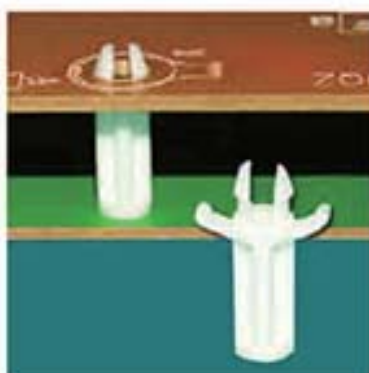
P.C.板間隔柱 SPACER SUPPORT

MATERIAL: NYLON 66(UL)
FLAME CLASS: 94V-2
COLOR: NATURAL

PART NO	A	B	T CHASSIS THICKNESS	PACKAGE
TCBK-4A	4.1	φ6.8	1.2~1.5	1000



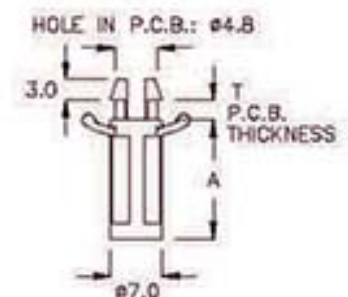
3-92-4



P.C.板間隔柱 SPACER SUPPORT

MATERIAL: NYLON 66(UL)
FLAME CLASS: 94V-2
COLOR: NATURAL

PART NO	A	T P.C.B. THICKNESS	PACKAGE
TCG-09	9.0	1.4~1.6	1000
TCG-16	16.0	1.4~1.6	



P.C.板間隔柱 SPACER SUPPORT

PINGOOD

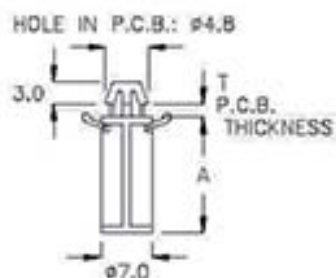
3-93-1



P.C.板間隔柱 SPACER SUPPORT

MATERIAL: NYLON 66(UL)
FLAME CLASS: 94V-2
COLOR: NATURAL

PART NO	A	T P.C.B. THICKNESS	PACKAGE
TBK-14A	14.7	1.4~1.6	500
TBK-16F	16.0	1.4~1.6	1000
TBK-20	20.0	1.4~1.6	500
TBK-22	22.0	1.4~1.6	
TBK-34	34.0	1.4~1.6	



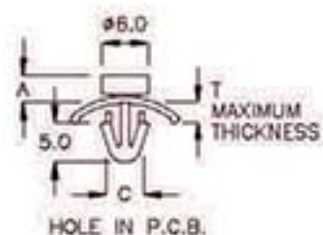
3-93-2



P.C.板間隔柱 SPACER SUPPORT

MATERIAL: NYLON 66(UL)
FLAME CLASS: 94V-2
COLOR: NATURAL

PART NO	A	C	T MAXIMUM THICKNESS	PACKAGE
LSC-3A	3.8	4.8~5.0	2.1	1000
LSC-3C	3.7	4.0	2.1	



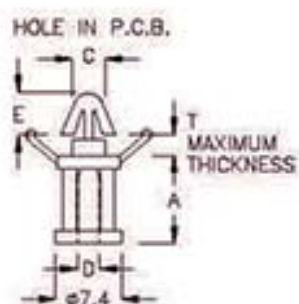
3-93-3



P.C.板間隔柱 SPACER SUPPORT

MATERIAL: NYLON 66(UL)
FLAME CLASS: 94V-2
COLOR: NATURAL

PART NO	A	C	T MAXIMUM THICKNESS	D TAPPING SCREW	E	PACKAGE
LSC-5	4.8	4.8~5.0	2.0	M3	5.6	1000
LSC-10	9.4	4.8~5.0	2.0	M3	5.6	
LSC-12	12.7	4.8~5.0	2.0	M3	5.6	
LSC-15A	15.9	4.5~4.6	2.0	M3	5.6	500
LSC-19	19.1	4.5~4.6	2.0	M3	5.6	



P.C.板間隔柱 SPACER SUPPORT

PINGOOD

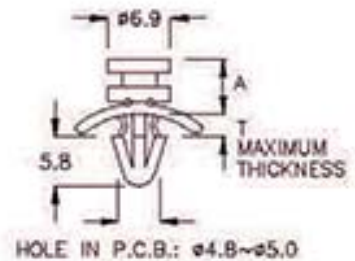
3-94-1



P.C.板間隔柱 SPACER SUPPORT

MATERIAL: NYLON 66(UL)
FLAME CLASS: 94V-2
COLOR: NATURAL

PART NO	A	T MAXIMUM THICKNESS	PACKAGE
LSC-6	6.35	2.0	1000



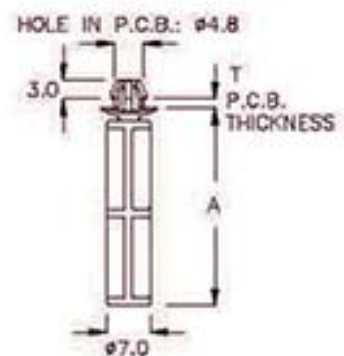
3-94-2



P.C.板間隔柱 SPACER SUPPORT

MATERIAL: NYLON 66(UL)
FLAME CLASS: 94V-2
COLOR: NATURAL

PART NO	A	T P.C.B. THICKNESS	PACKAGE
TBW-36A	36.2	1.6	500



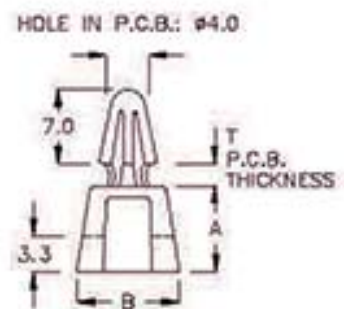
3-94-3



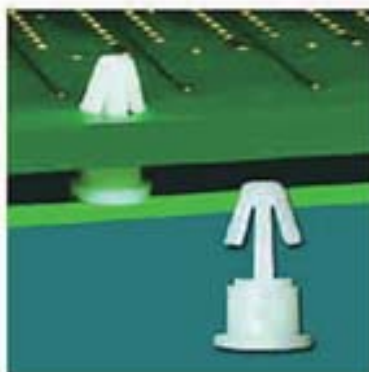
P.C.板間隔柱 SPACER SUPPORT

MATERIAL: NYLON 66(UL)
FLAME CLASS: 94V-2
COLOR: NATURAL

PART NO	A	B	T P.C.B. THICKNESS	PACKAGE
TCP-08	7.9	9.5	1.3~1.6	500



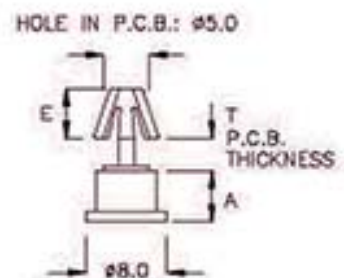
3-94-4



P.C.板間隔柱 SPACER SUPPORT

MATERIAL: NYLON 66(UL)
FLAME CLASS: 94V-2
COLOR: NATURAL

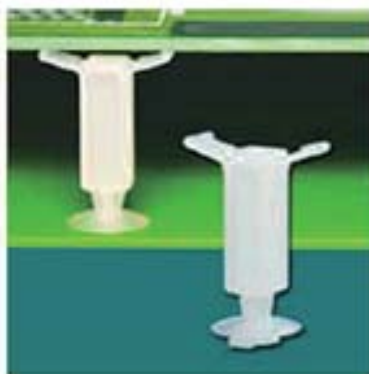
PART NO	A	T P.C.B. THICKNESS	E	PACKAGE
MA-005	5.0	2.8~3.0	5.1	1000
MA-012	12.0	2.8~3.0	5.0	500
MA-014	14.0	2.8~3.0	5.0	



P.C.板間隔柱 SPACER SUPPORT

PINGOOD

3-95-1

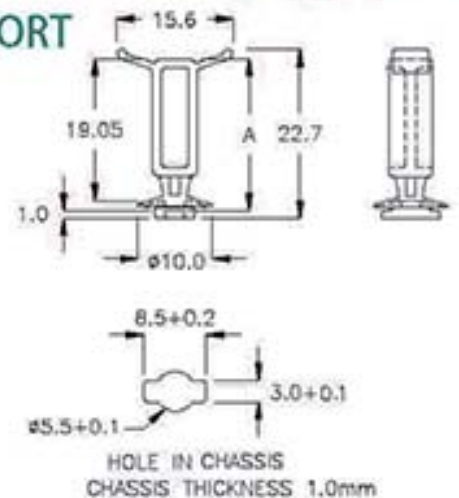


P.C.板間隔柱 SPACER SUPPORT

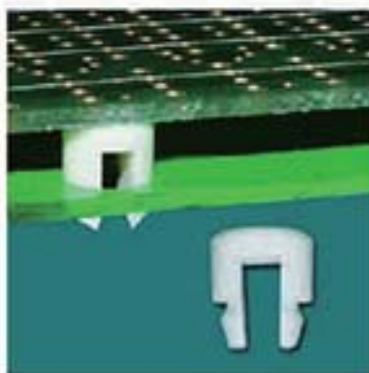
MATERIAL: NYLON 66(UL)
FLAME CLASS: 94V-2
COLOR: NATURAL

Insert With 90 Degree Angle
And Press Down

PART NO	A	PACKAGE
KPD-24A	20.4	1000



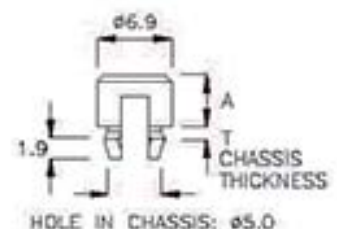
3-95-2



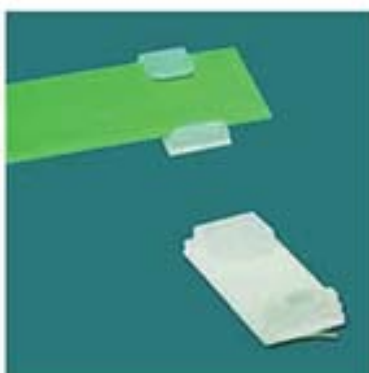
P.C.板間隔柱 SPACER SUPPORT

MATERIAL: NYLON 66(UL)
FLAME CLASS: 94V-2
COLOR: NATURAL

PART NO	A	T CHASSIS THICKNESS	PACKAGE
MHG-05	4.7	0.6~0.8	1000



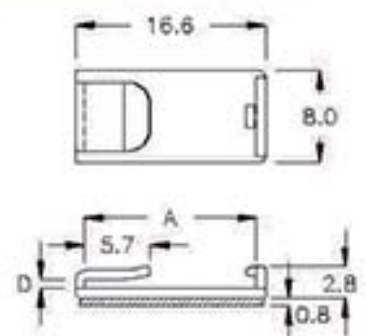
3-95-3



P.C.板間隔柱 SPACER SUPPORT

MATERIAL: NYLON 66(UL)
FLAME CLASS: 94V-2
COLOR: NATURAL
ADHESIVE TAPE: 3M

PART NO	A	D	PACKAGE
FKD-16Y	15.0	0.8	1000



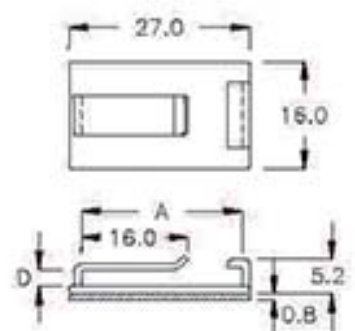
3-95-4



P.C.板間隔柱 SPACER SUPPORT

MATERIAL: NYLON 66(UL)
FLAME CLASS: 94V-2
COLOR: NATURAL
ADHESIVE TAPE: 3M

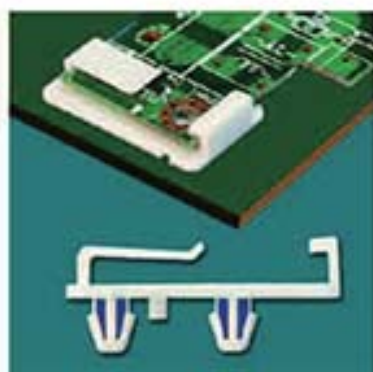
PART NO	A	D	PACKAGE
FKM-27JC	23.8	2.4	200



P.C.板間隔柱 SPACER SUPPORT

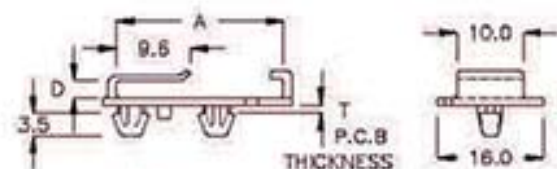
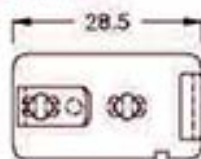
PINGOOD

3-97-1

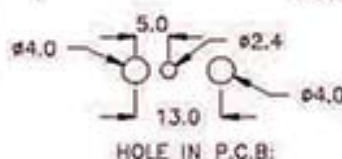


P.C.板間隔柱 SPACER SUPPORT

MATERIAL: NYLON 66(UL)
FLAME CLASS: 94V-2
COLOR: NATURAL



PART NO	A	D	T P.C.B THICKNESS	PACKAGE
FKC-28PQ	25.3	2.5	0.6~0.8	200

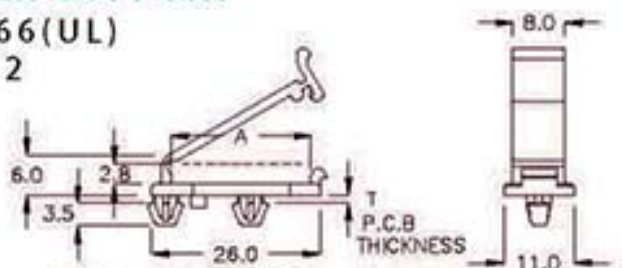


3-97-2

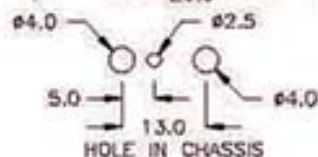


P.C.板間隔柱 SPACER SUPPORT

MATERIAL: NYLON 66(UL)
FLAME CLASS: 94V-2
COLOR: BLACK



PART NO	A	T P.C.B THICKNESS	PACKAGE
CYF-21	21.6	0.6~0.8	100

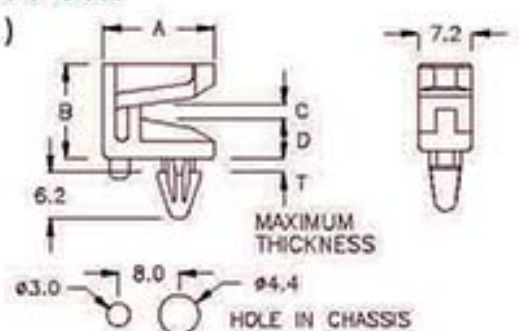


3-97-3



P.C.板間隔柱 SPACER SUPPORT

MATERIAL: NYLON 66(UL)
FLAME CLASS: 94V-2
COLOR: NATURAL



PART NO	A	B	C	D	T MAXIMUM THICKNESS	PACKAGE
UB-05A	15.0	12.8	1.8	5.5	1.6	500



P.C.板間隔柱 SPACER SUPPORT

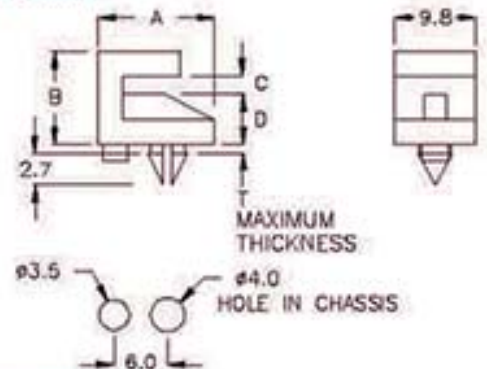
PINGOOD

3-98-1



P.C.板間隔柱 SPACER SUPPORT

MATERIAL: NYLON 66(UL)
FLAME CLASS: 94V-2
COLOR: NATURAL



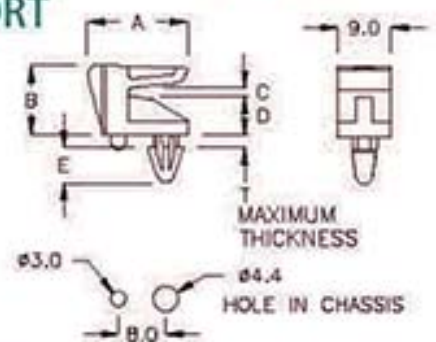
PART NO	A	B	C	D	T MAXIMUM THICKNESS	PACKAGE
UB-6	12.6	10.8	1.7	6.0	1.0	500

3-98-2



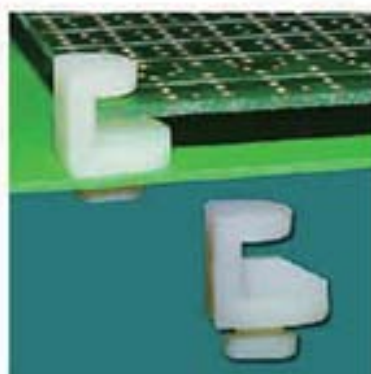
P.C.板間隔柱 SPACER SUPPORT

MATERIAL: NYLON 66(UL)
FLAME CLASS: 94V-2
COLOR: NATURAL



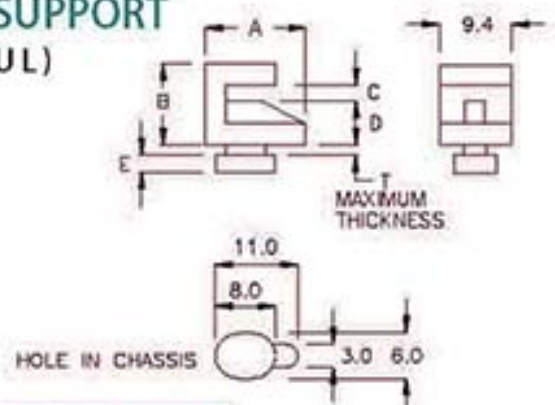
PART NO	A	B	C	D	E	T MAXIMUM THICKNESS	PACKAGE
UB-68T	17.4	11.8	1.3	8.5	6.3	1.6	500
UB-6CT	17.5	11.8	1.6	6.35	6.0	1.6	

3-98-3



P.C.板間隔柱 SPACER SUPPORT

MATERIAL: NYLON 66(UL)
FLAME CLASS: 94V-2
COLOR: NATURAL



PART NO	A	B	C	D	E	T MAXIMUM THICKNESS	PACKAGE
UB-6A	12.5	10.7	1.9	5.9	2.6	1.2	500
UB-6D	12.3	11.5	2.3	6.4	2.5	1.2	

P.C.板間隔柱 SPACER SUPPORT

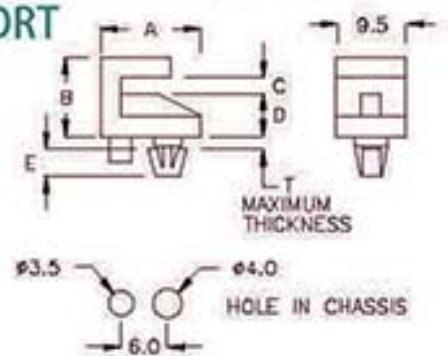
PINGOOD

3-99-1



P.C.板間隔柱 SPACER SUPPORT

MATERIAL: NYLON 66(UL)
FLAME CLASS: 94V-2
COLOR: NATURAL



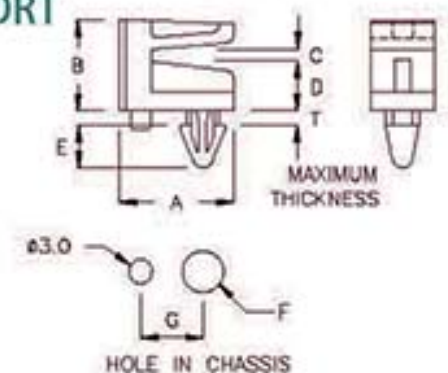
PART NO	A	B	C	D	E	T MAXIMUM THICKNESS	PACKAGE
UB-6E	13.5	10.8	2.2	6.4	3.5	1.3	500
UB-6K	13.4	10.6	2.1	6.0	3.7	2.1	

3-99-2



P.C.板間隔柱 SPACER SUPPORT

MATERIAL: NYLON 66(UL)
FLAME CLASS: 94V-2
COLOR: NATURAL



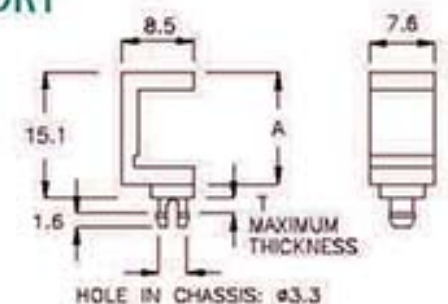
PART NO	A	B	C	D	E	F	G	T MAXIMUM THICKNESS	PACKAGE
UB-06H	21.5	11.8	1.3	6.6	6.0	4.4	8.0	1.6	500
UB-6T	14.8	11.9	1.3	6.6	5.9	4.4	8.0	1.7	
UB-06U	12.0	11.8	1.3	6.6	6.0	4.4	6.5	1.8	
UB-06U	12.0	14.0	2.0	8.5	7.0	4.4	6.5	0.8	
UB-14T	15.0	19.2	1.3	14.0	5.8	4.4	8.0	1.8	
UB-18T	15.5	23.6	1.6	18.2	6.0	5.0	8.5	1.8	200

3-99-3



P.C.板間隔柱 SPACER SUPPORT

MATERIAL: NYLON 66(UL)
FLAME CLASS: 94V-2
COLOR: NATURAL

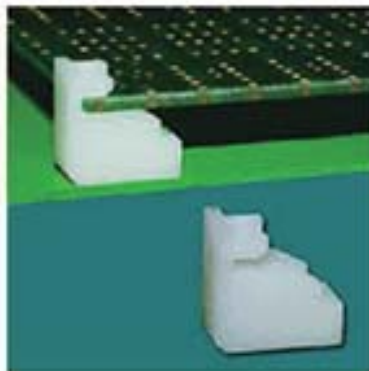


PART NO	A	T MAXIMUM THICKNESS	PACKAGE
UB-7	13.3	1.6	500

P.C.板間隔柱 SPACER SUPPORT

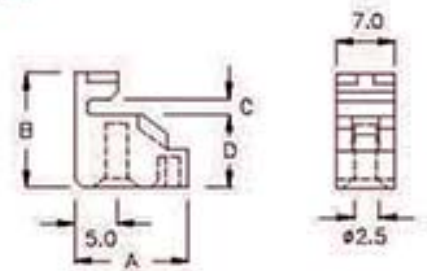
PINGOOD

3-100-1



P.C.板間隔柱 SPACER SUPPORT

MATERIAL: NYLON 66(UL)
 FLAME CLASS: 94V-2
 COLOR: NATURAL
 SCREW: TAPPING SCREW M3



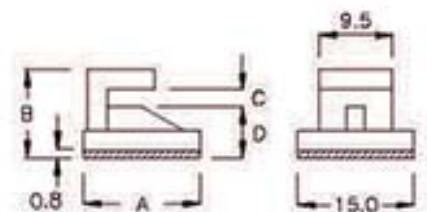
PART NO	A	B	C	D	PACKAGE
UB-09K	13.5	13.6	1.8	8.6	500

3-100-2



P.C.板間隔柱 SPACER SUPPORT

MATERIAL: NYLON 66(UL)
 FLAME CLASS: 94V-2
 COLOR: NATURAL
 ADHESIVE TAPE: 3M



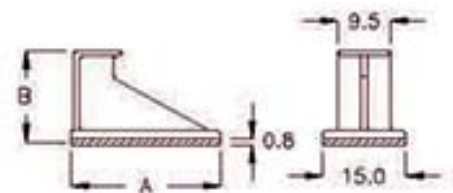
PART NO	A	B	C	D	PACKAGE
UB-6F	15.0	11.1	2.2	6.35	500
UB-11F	15.0	15.8	2.4	10.8	
UB-12F	15.0	16.7	2.3	11.9	

3-100-3



P.C.板間隔柱 SPACER SUPPORT

MATERIAL: NYLON 66(UL)
 FLAME CLASS: 94V-2
 COLOR: NATURAL
 ADHESIVE TAPE: 3M



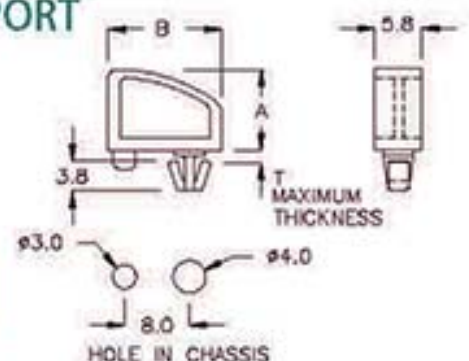
PART NO	A	B	PACKAGE
UBC-17	27.0	16.7	500

3-100-4



P.C.板間隔柱 SPACER SUPPORT

MATERIAL: NYLON 66(UL)
 FLAME CLASS: 94V-2
 COLOR: NATURAL



PART NO	A	B	T MAXIMUM THICKNESS	PACKAGE
UA-10	10.0	14.0	1.2	500

P.C.板間隔柱 SPACER SUPPORT

PINGOOD

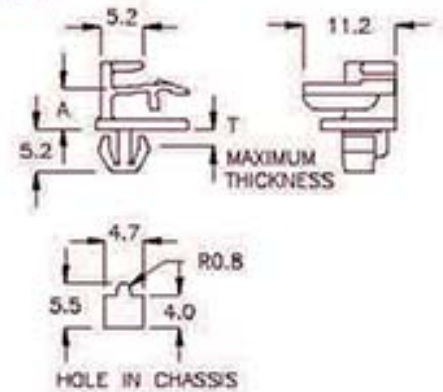
3-101-1



P.C.板間隔柱 SPACER SUPPORT

MATERIAL: NYLON 66(UL)
FLAME CLASS: 94V-2
COLOR: NATURAL

PART NO	A	T MAXIMUM THICKNESS	PACKAGE
UBL-05	5.0	1.6	500



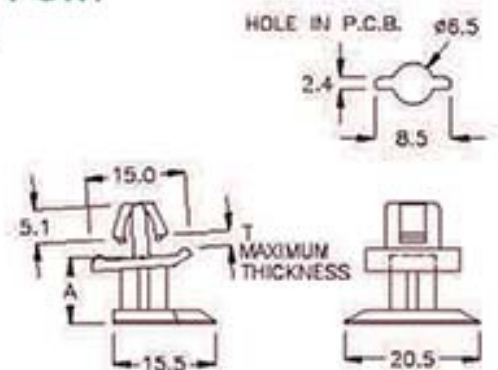
3-101-2



P.C.板間隔柱 SPACER SUPPORT

MATERIAL: NYLON 66(UL)
FLAME CLASS: 94V-2
COLOR: NATURAL

PART NO	A	T MAXIMUM THICKNESS	PACKAGE
UNB-11	10.0	2.0	500



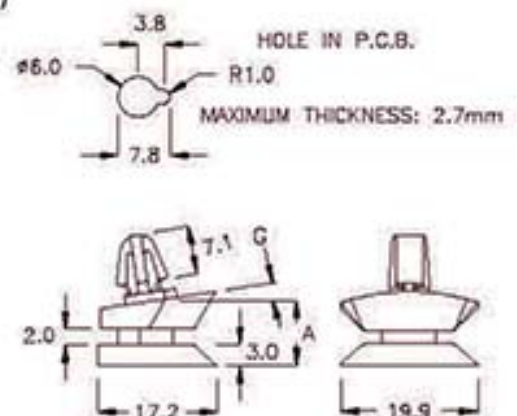
3-101-3



P.C.板間隔柱 SPACER SUPPORT

MATERIAL: NYLON 66(UL)
FLAME CLASS: 94V-2
COLOR: NATURAL

PART NO	A	G	PACKAGE
UNC-10A	9.1	8.5	500



P.C.板間隔柱 SPACER SUPPORT

PINGOOD

3-102-1



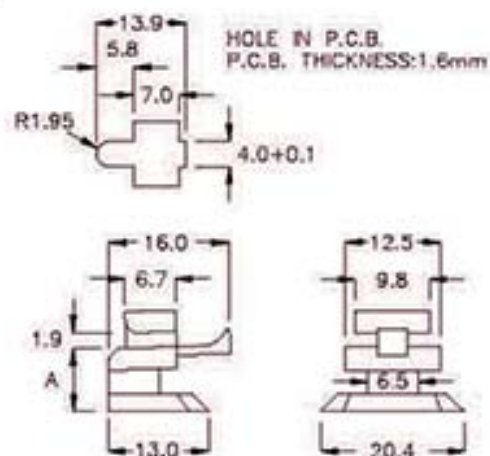
P.C.板間隔柱 SPACER SUPPORT

MATERIAL: NYLON 66(UL)

FLAME CLASS: 94V-2

COLOR: NATURAL

PART NO	A	PACKAGE
UNG-8	8.2	500



3-102-2



P.C.板間隔柱 SPACER SUPPORT

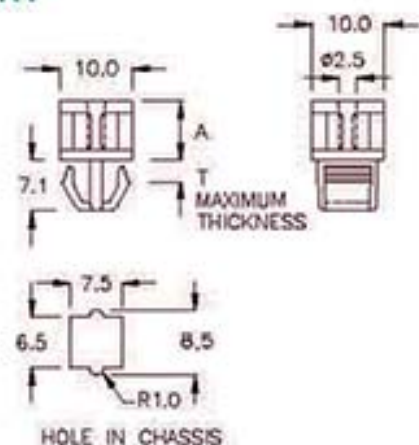
MATERIAL: NYLON 66(UL)

FLAME CLASS: 94V-2

COLOR: NATURAL

SCREW: TAPPING SCREW M3

PART NO	A	T MAXIMUM THICKNESS	PACKAGE
CH-08F	8.0	2.0	500
CH-10K	10.0	1.4	



3-102-3



P.C.板間隔柱 SPACER SUPPORT

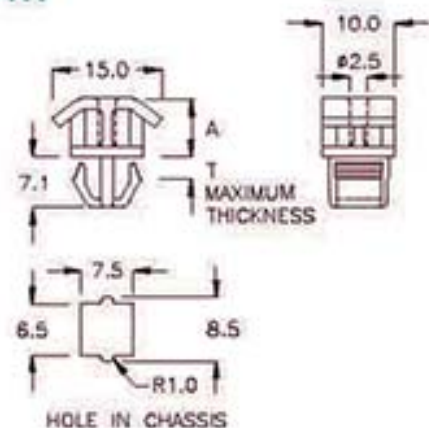
MATERIAL: NYLON 66(UL)

FLAME CLASS: 94V-2

COLOR: NATURAL

SCREW: TAPPING SCREW M3

PART NO	A	T MAXIMUM THICKNESS	PACKAGE
CH-08K	8.0	2.0	500



P.C.板間隔柱 SPACER SUPPORT

PINGOOD

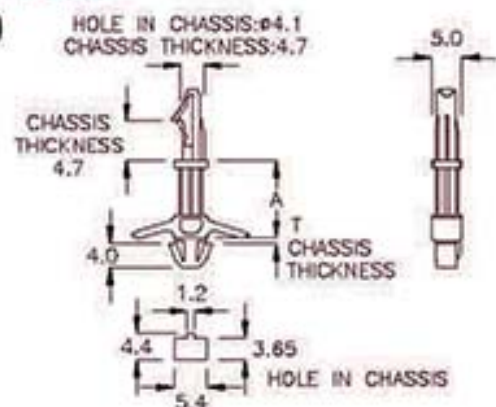
3-103-1



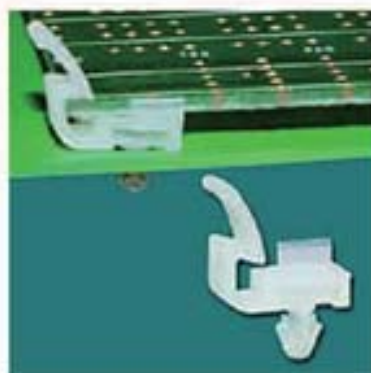
P.C.板間隔柱 SPACER SUPPORT

MATERIAL: NYLON 66(UL)
FLAME CLASS: 94V-2
COLOR: NATURAL

PART NO	A	T CHASSIS THICKNESS	PACKAGE
MQG-12P	12.7	0.6~0.8	500



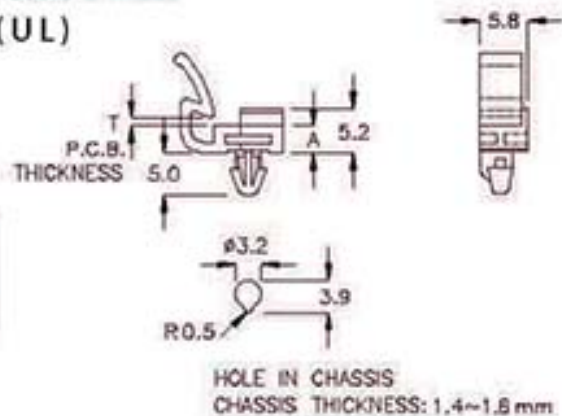
3-103-2



P.C.板間隔柱 SPACER SUPPORT

MATERIAL: NYLON 66(UL)
FLAME CLASS: 94V-2
COLOR: NATURAL

PART NO	A	T P.C.B. THICKNESS	PACKAGE
LSB-3A	3.2	0.8~1.6	1000



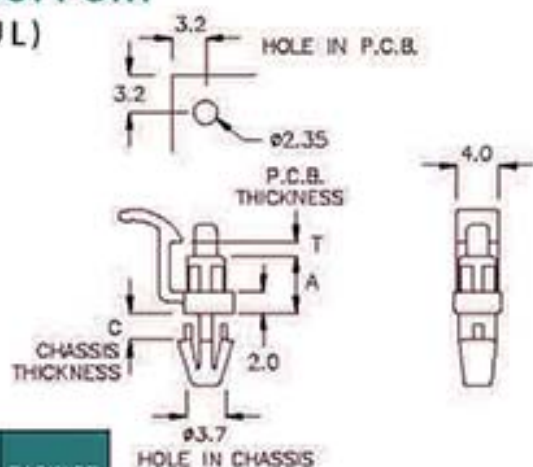
3-103-3



P.C.板間隔柱 SPACER SUPPORT

MATERIAL: NYLON 66(UL)
FLAME CLASS: 94V-2
COLOR: NATURAL

PART NO	A	T P.C.B. THICKNESS	C CHASSIS THICKNESS	PACKAGE
LTY-5A	5.4	0.8~1.0	2.2~2.4	500



P.C.板間隔柱 SPACER SUPPORT

PINGOOD

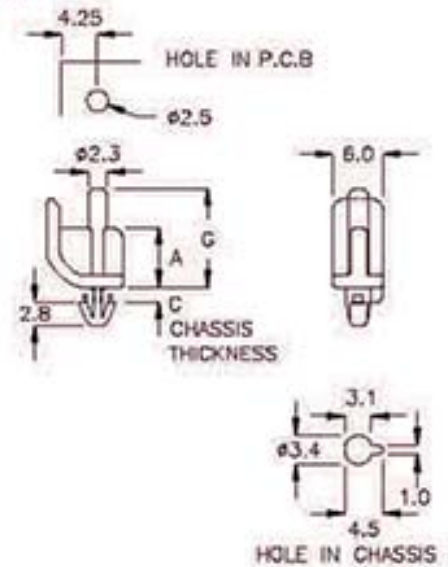
3-104-1



P.C.板間隔柱 SPACER SUPPORT

MATERIAL: NYLON 66(UL)
FLAME CLASS: 94V-2
COLOR: NATURAL

PART NO	A	G	C CHASSIS THICKNESS	PACKAGE
LKB-6PA	7.0	11.7	1.4~1.6	1000



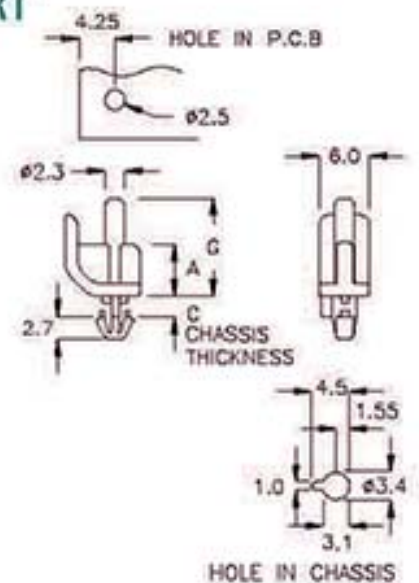
3-104-2



P.C.板間隔柱 SPACER SUPPORT

MATERIAL: NYLON 66(UL)
FLAME CLASS: 94V-2
COLOR: NATURAL

PART NO	A	G	C CHASSIS THICKNESS	PACKAGE
LKB-6FQ	6.2	11.7	2.2~2.4	1000



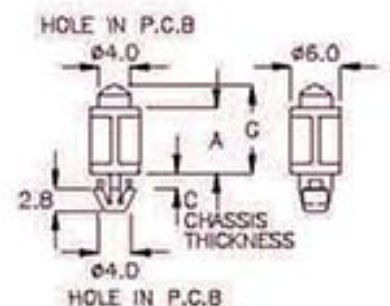
3-104-3



P.C.板間隔柱 SPACER SUPPORT

MATERIAL: NYLON 66(UL)
FLAME CLASS: 94V-2
COLOR: BLACK

PART NO	A	G	C CHASSIS THICKNESS	PACKAGE
LC2-8PH	8.0	10.7	1.6	2000



P.C.板間隔柱 SPACER SUPPORT

PINGOOD

3-105-1



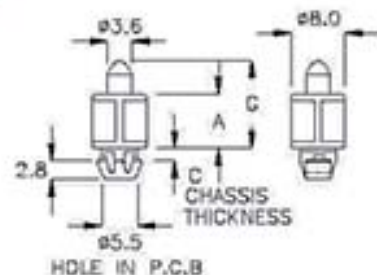
P.C.板間隔柱 SPACER SUPPORT

MATERIAL: NYLON 66(UL)

FLAME CLASS: 94V-2

COLOR: NATURAL

PART NO	A	G	C CHASSIS THICKNESS	PACKAGE
LKC-8A	8.0	13.0	1.6	2000



3-105-2



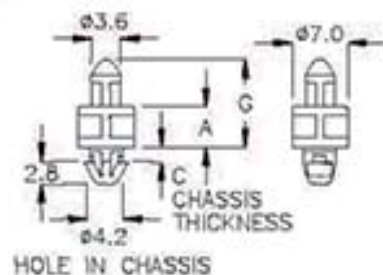
P.C.板間隔柱 SPACER SUPPORT

MATERIAL: NYLON 66(UL)

FLAME CLASS: 94V-2

COLOR: NATURAL

PART NO	A	G	C CHASSIS THICKNESS	PACKAGE
LKN-5T	5.0	11.0	1.6	2000



3-105-3



P.C.板間隔柱 SPACER SUPPORT

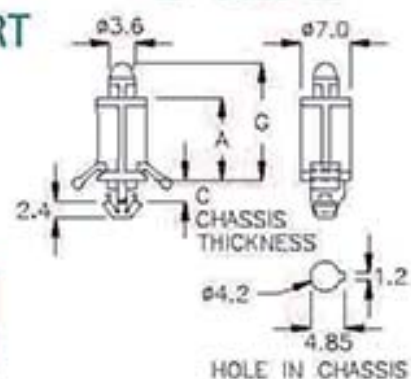
MATERIAL: NYLON 66(UL)

FLAME CLASS: 94V-2

COLOR: BLACK

NEW

PART NO	A	G	C CHASSIS THICKNESS	PACKAGE
★ LKN-11HR	11.6	16.5	2.6	1000



P.C.板間隔柱 SPACER SUPPORT

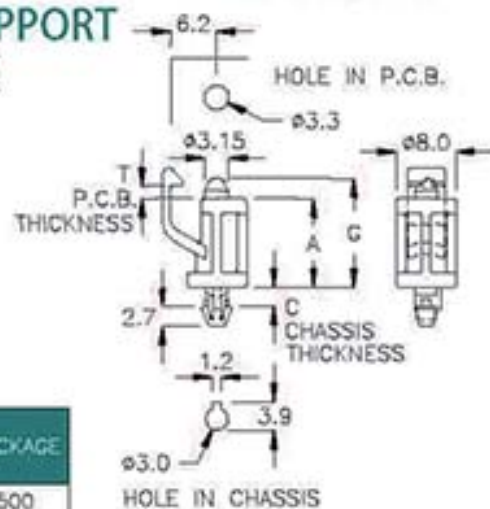
PINGOOD

3-106-1



P.C.板間隔柱 SPACER SUPPORT

MATERIAL: NYLON 66(UL)
FLAME CLASS: 94V-2
COLOR: NATURAL



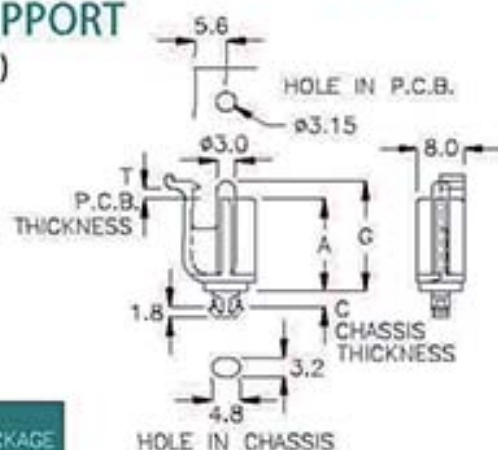
PART NO	A	G	T P.C.B. THICKNESS	C CHASSIS THICKNESS	PACKAGE
LTZ-12HC	12.0	14.7	1.6	2.4	500

3-106-2



P.C.板間隔柱 SPACER SUPPORT

MATERIAL: NYLON 66(UL)
FLAME CLASS: 94V-2
COLOR: NATURAL



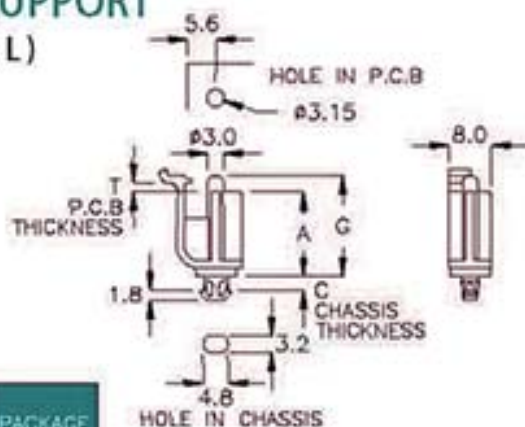
PART NO	A	G	T P.C.B. THICKNESS	C CHASSIS THICKNESS	PACKAGE
LTKL-16	16.0	19.0	1.4~1.6	2.5	500

3-106-3



P.C.板間隔柱 SPACER SUPPORT

MATERIAL: NYLON 66(UL)
FLAME CLASS: 94V-2
COLOR: NATURAL



PART NO	A	G	T P.C.B. THICKNESS	C CHASSIS THICKNESS	PACKAGE
LTKR-16C	16.0	19.0	1.4~1.6	2.5	500

P.C.板間隔柱 SPACER SUPPORT

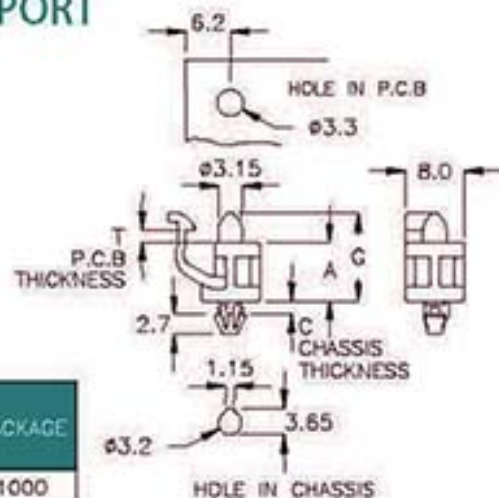
PINGOOD

3-107-1



P.C.板間隔柱 SPACER SUPPORT

MATERIAL: NYLON 66(UL)
FLAME CLASS: 94V-2
COLOR: NATURAL



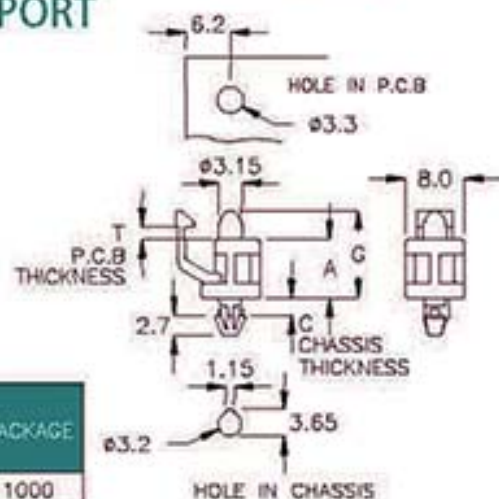
PART NO	A	G	T P.C.B THICKNESS	C CHASSIS THICKNESS	PACKAGE
LTN-8G	8.0	12.0	1.6	1.6	1000

3-107-2



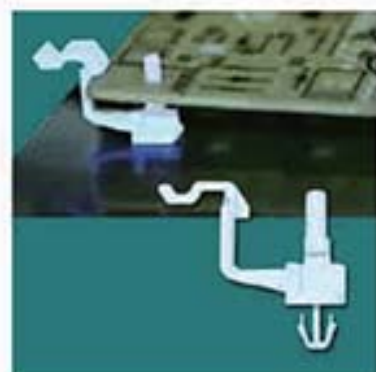
P.C.板間隔柱 SPACER SUPPORT

MATERIAL: NYLON 66(UL)
FLAME CLASS: 94V-2
COLOR: NATURAL



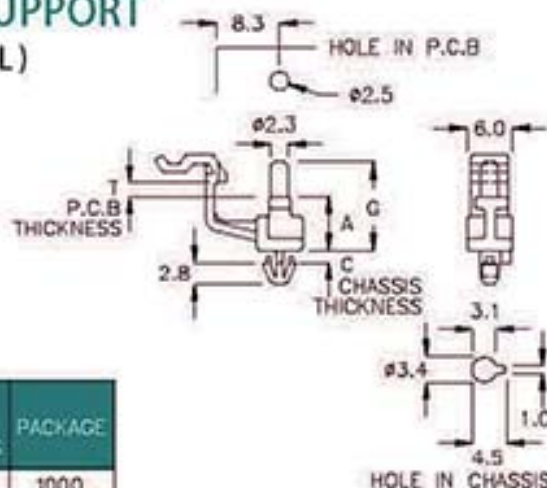
PART NO	A	G	T P.C.B THICKNESS	C CHASSIS THICKNESS	PACKAGE
LTN-8CK	8.0	12.0	1.6	2.2	1000

3-107-3



P.C.板間隔柱 SPACER SUPPORT

MATERIAL: NYLON 66(UL)
FLAME CLASS: 94V-2
COLOR: BLUE, BLACK



PART NO	A	G	T P.C.B THICKNESS	C CHASSIS THICKNESS	PACKAGE
LMM-6DA	7.0	11.7	1.4~1.6	1.4~1.6	1000

P.C.板間隔柱 SPACER SUPPORT

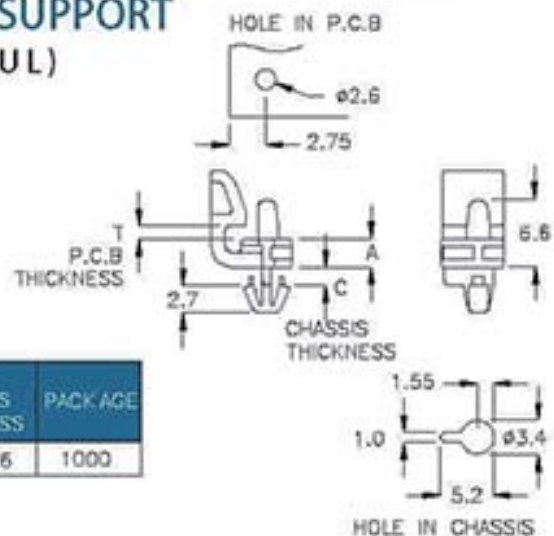
PINGOOD

3-108-1



P.C.板間隔柱 SPACER SUPPORT

MATERIAL: NYLON 66(UL)
FLAME CLASS: 94V-2
COLOR: NATURAL



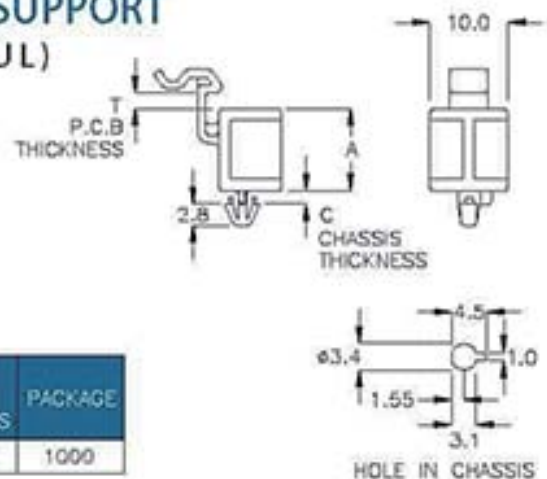
PART NO	A	T P.C.B. THICKNESS	C CHASSIS THICKNESS	PACKAGE
LMF-2K	2.8	0.8~1.0	1.4~1.5	1000

3-108-2



P.C.板間隔柱 SPACER SUPPORT

MATERIAL: NYLON 66(UL)
FLAME CLASS: 94V-2
COLOR: NATURAL



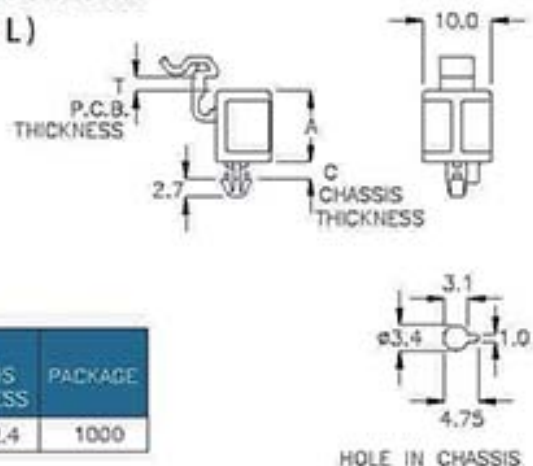
PART NO	A	T P.C.B. THICKNESS	C CHASSIS THICKNESS	PACKAGE
LMH-11	10.5	1.6~1.8	1.4~1.6	1000

3-108-3



P.C.板間隔柱 SPACER SUPPORT

MATERIAL: NYLON 66(UL)
FLAME CLASS: 94V-2
COLOR: NATURAL



PART NO	A	T P.C.B. THICKNESS	C CHASSIS THICKNESS	PACKAGE
LMH-11SA	10.5	1.6~1.8	2.2~2.4	1000

P.C.板間隔柱 SPACER SUPPORT

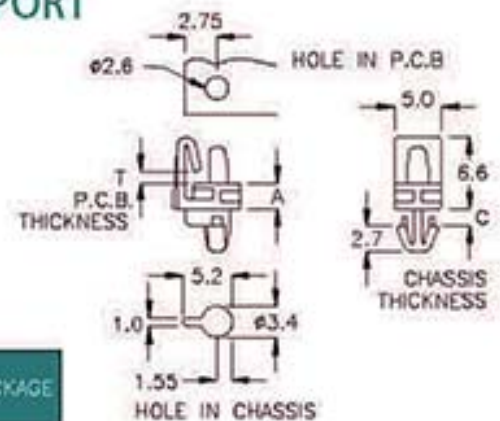
PINGOOD

3-109-1



P.C.板間隔柱 SPACER SUPPORT

MATERIAL: NYLON 66(UL)
FLAME CLASS: 94V-2
COLOR: NATURAL



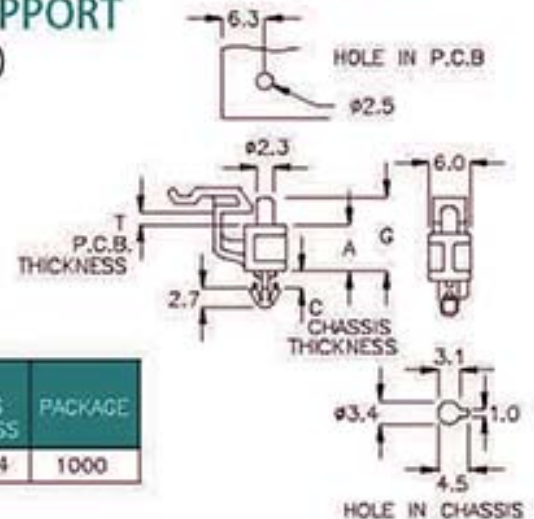
PART NO	A	T P.C.B. THICKNESS	C CHASSIS THICKNESS	PACKAGE
LMK-2YW	2.8	0.8~1.0	1.4~1.6	2000

3-109-2



P.C.板間隔柱 SPACER SUPPORT

MATERIAL: NYLON 66(UL)
FLAME CLASS: 94V-2
COLOR: NATURAL



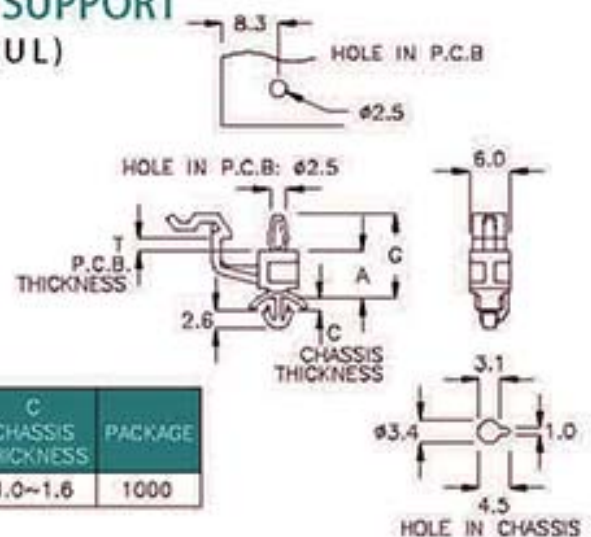
PART NO	A	G	T P.C.B. THICKNESS	C CHASSIS THICKNESS	PACKAGE
LMM-6CP	6.9	11.0	1.4~1.6	2.2~2.4	1000

3-109-3



P.C.板間隔柱 SPACER SUPPORT

MATERIAL: NYLON 66(UL)
FLAME CLASS: 94V-2
COLOR: NATURAL



PART NO	A	G	T P.C.B. THICKNESS	C CHASSIS THICKNESS	PACKAGE
LMJ-7TC	7.0	12.55	1.6	1.0~1.6	1000

P.C.板間隔柱 SPACER SUPPORT

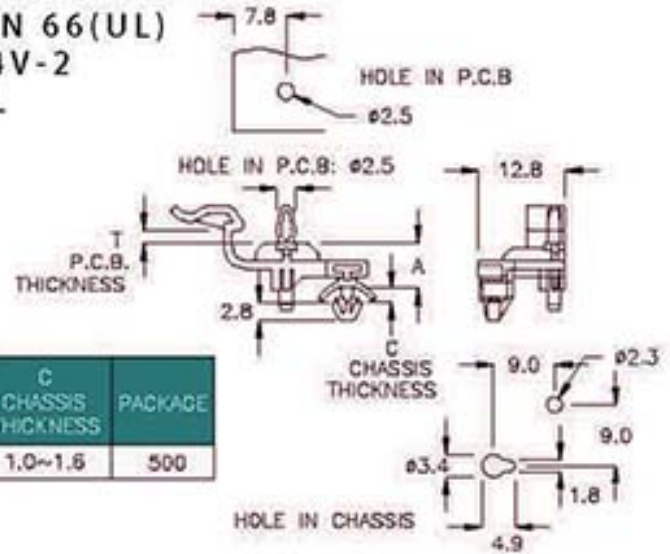
PINGOOD

3-110-1



P.C.板間隔柱 SPACER SUPPORT

MATERIAL: NYLON 66(UL)
FLAME CLASS: 94V-2
COLOR: NATURAL



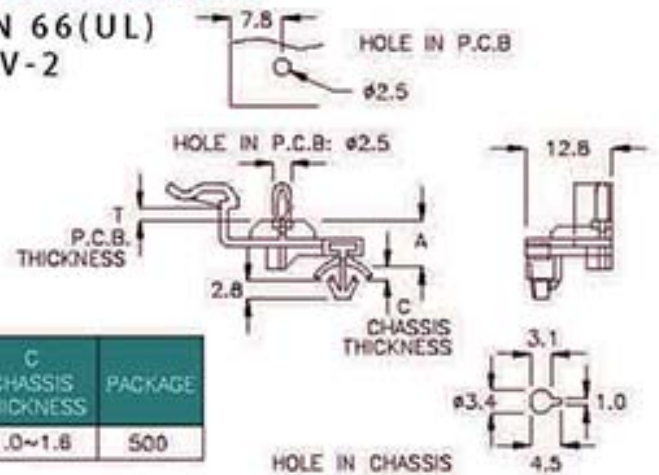
PART NO	A	T P.C.B. THICKNESS	C CHASSIS THICKNESS	PACKAGE
LMX-7BK	6.7	1.6	1.0~1.8	500

3-110-2



P.C.板間隔柱 SPACER SUPPORT

MATERIAL: NYLON 66(UL)
FLAME CLASS: 94V-2
COLOR: NATURAL



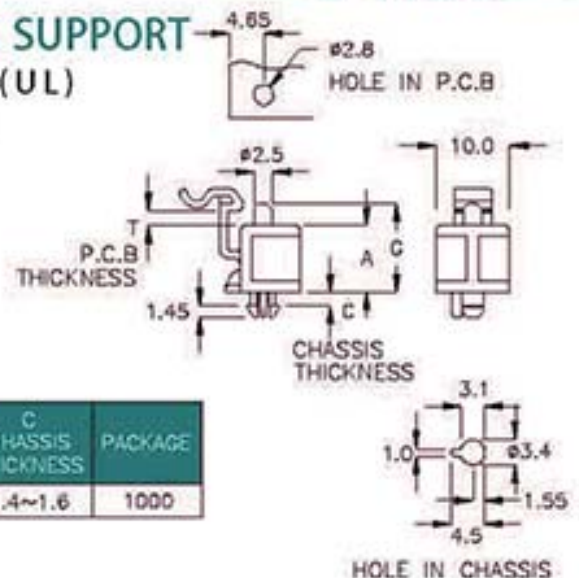
PART NO	A	T P.C.B. THICKNESS	C CHASSIS THICKNESS	PACKAGE
LMX-7YD	6.7	1.6	1.0~1.8	500

3-110-3



P.C.板間隔柱 SPACER SUPPORT

MATERIAL: NYLON 66(UL)
FLAME CLASS: 94V-2
COLOR: NATURAL



PART NO	A	G	T P.C.B. THICKNESS	C CHASSIS THICKNESS	PACKAGE
LTH-9PN	9.0	12.0	1.6~1.8	1.4~1.6	1000

P.C.板間隔柱 SPACER SUPPORT

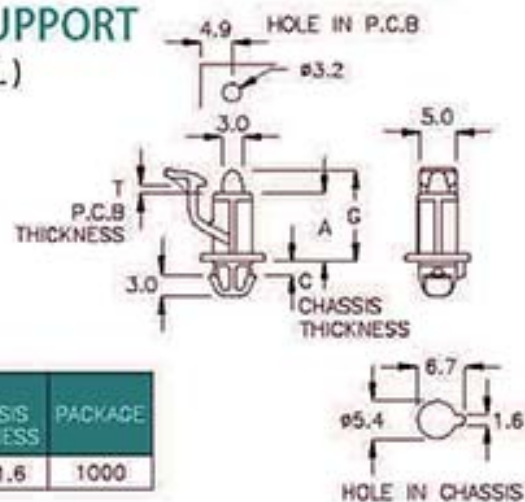
PINGOOD

3-111-1



P.C.板間隔柱 SPACER SUPPORT

MATERIAL: NYLON 66(UL)
FLAME CLASS: 94V-2
COLOR: NATURAL



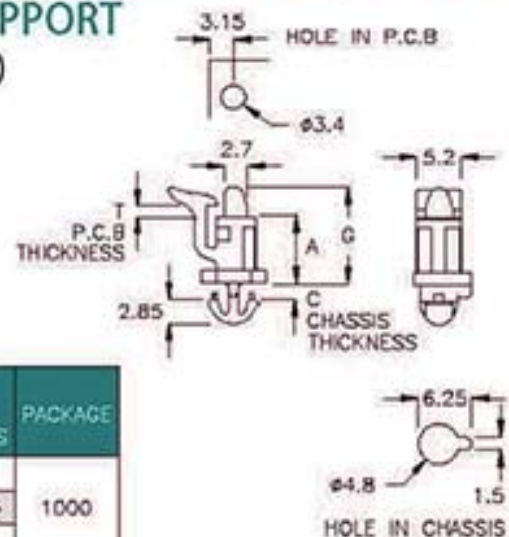
PART NO	A	G	T P.C.B. THICKNESS	C CHASSIS THICKNESS	PACKAGE
LMP-9RQ	9.55	12.85	0.8~1.0	1.4~1.6	1000

3-111-2



P.C.板間隔柱 SPACER SUPPORT

MATERIAL: NYLON 66(UL)
FLAME CLASS: 94V-2
COLOR: NATURAL, BLACK



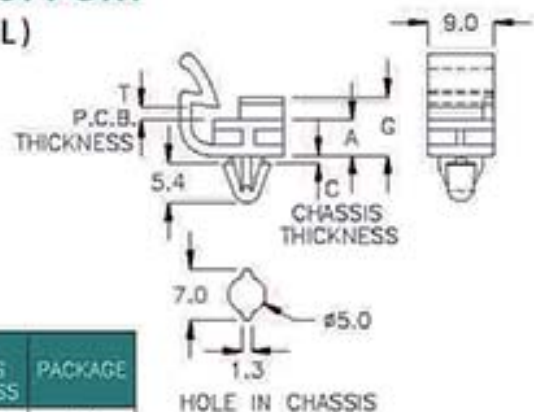
PART NO	A	G	T P.C.B. THICKNESS	C CHASSIS THICKNESS	PACKAGE
LTN-7C	7.85	11.4	1.0~1.2	1.4~1.6	1000
LTN-7F	7.85	11.4	1.0~1.2	2.0~2.15	
LTN-9K	9.0	12.6	1.2~1.6	2.15	

3-111-3



P.C.板間隔柱 SPACER SUPPORT

MATERIAL: NYLON 66(UL)
FLAME CLASS: 94V-2
COLOR: NATURAL



PART NO	A	G	T P.C.B. THICKNESS	C CHASSIS THICKNESS	PACKAGE
LSK-6P	4.9	7.9	1.4~1.6	0.6~0.8	500

P.C.板間隔柱 SPACER SUPPORT

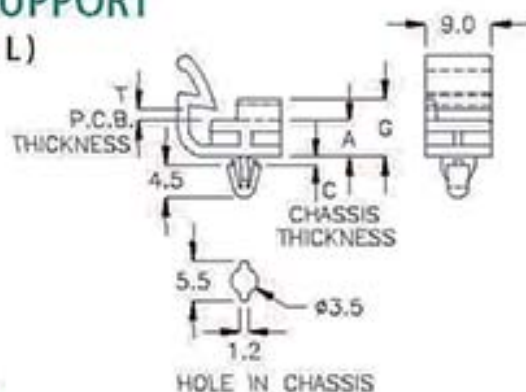
PINGOOD

3-112-1



P.C.板間隔柱 SPACER SUPPORT

MATERIAL: NYLON 66(UL)
FLAME CLASS: 94V-2
COLOR: NATURAL



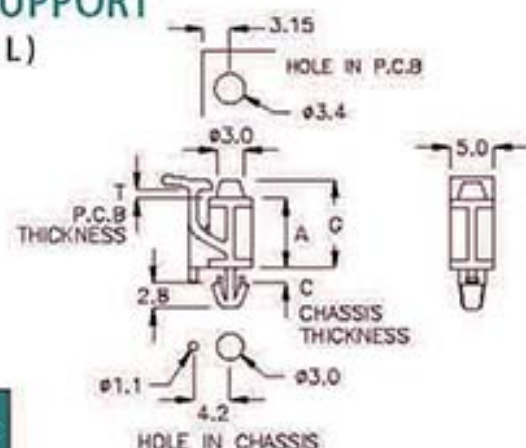
PART NO	A	G	T P.C.B. THICKNESS	C CHASSIS THICKNESS	PACKAGE
LSK-60	4.9	7.9	1.4~1.6	0.6~0.8	500

3-112-2



P.C.板間隔柱 SPACER SUPPORT

MATERIAL: NYLON 66(UL)
FLAME CLASS: 94V-2
COLOR: NATURAL



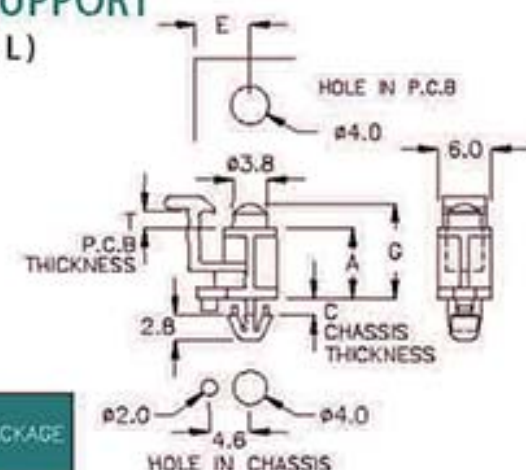
PART NO	A	G	T P.C.B. THICKNESS	C CHASSIS THICKNESS	PACKAGE
LMR-08	8.0	10.0	0.6~0.8	1.4~1.6	1000

3-112-3



P.C.板間隔柱 SPACER SUPPORT

MATERIAL: NYLON 66(UL)
FLAME CLASS: 94V-2
COLOR: BLACK



PART NO	A	G	E	T P.C.B. THICKNESS	C CHASSIS THICKNESS	PACKAGE
LMQ-8HR	8.0	10.7	5.3	1.6	1.6	1000

P.C.板間隔柱 SPACER SUPPORT

PINGOOD

3-113-1

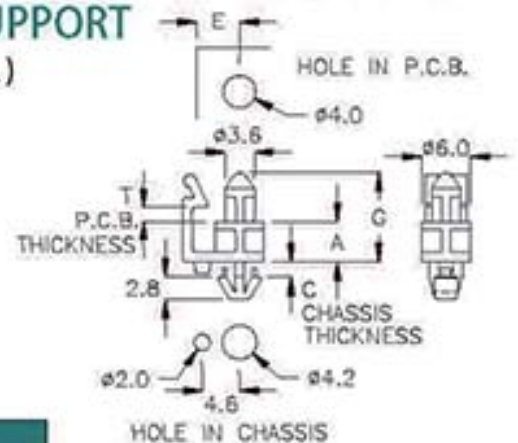


P.C.板間隔柱 SPACER SUPPORT

MATERIAL: NYLON 66(UL)

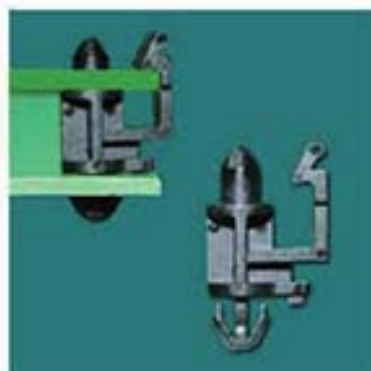
FLAME CLASS: 94V-2

COLOR: NATURAL



PART NO	A	G	E	T P.C.B. THICKNESS	C CHASSIS THICKNESS	PACKAGE
LMG-5FH	5.0	11.0	5.33	1.6	1.6	2000

3-113-2

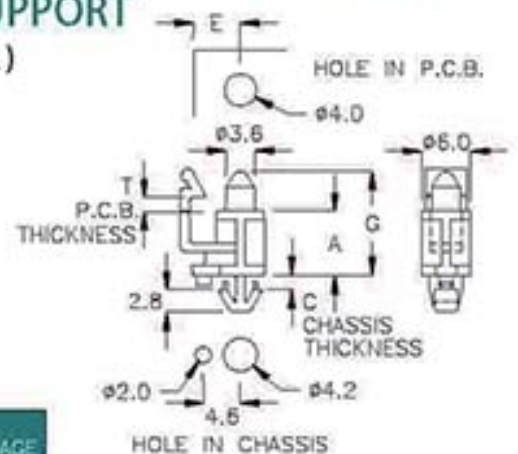


P.C.板間隔柱 SPACER SUPPORT

MATERIAL: NYLON 66(UL)

FLAME CLASS: 94V-2

COLOR: BLACK



PART NO	A	G	E	T P.C.B. THICKNESS	C CHASSIS THICKNESS	PACKAGE
LMG-BAT	8.0	13.0	5.88	1.6	1.6	1000

3-113-3



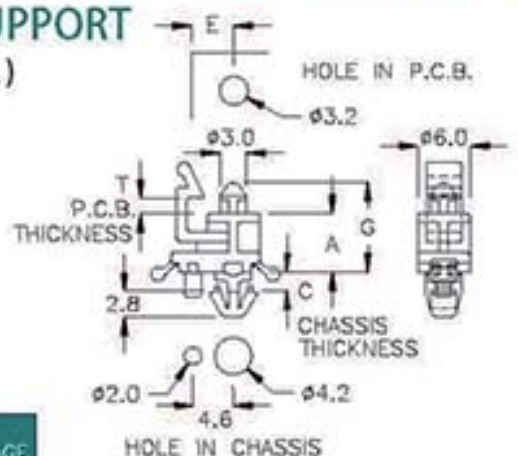
P.C.板間隔柱 SPACER SUPPORT

MATERIAL: NYLON 66(UL)

FLAME CLASS: 94V-2

COLOR: BLACK

NEW



PART NO	A	G	E	T P.C.B. THICKNESS	C CHASSIS THICKNESS	PACKAGE
★ LMB-5AC	6.6	10.1	5.0	1.6	1.93	2000

P.C.板間隔柱 SPACER SUPPORT

PINGOOD

3-114-1



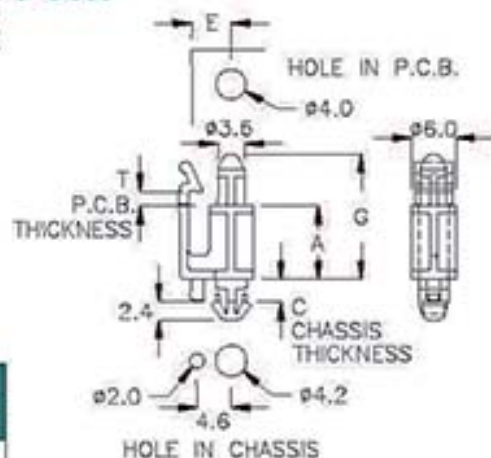
P.C.板間隔柱 SPACER SUPPORT

MATERIAL: NYLON 66(UL)

FLAME CLASS: 94V-2

COLOR: BLACK

NEW



PART NO	A	G	E	T P.C.B. THICKNESS	C CHASSIS THICKNESS	PACKAGE
★ LMG-10JK	10.0	16.9	5.33	1.6	2.6	1000

3-114-2



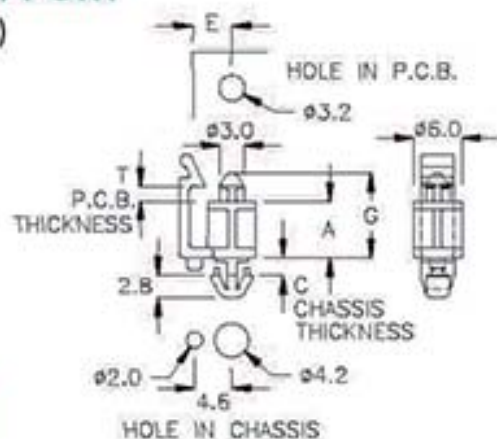
P.C.板間隔柱 SPACER SUPPORT

MATERIAL: NYLON 66(UL)

FLAME CLASS: 94V-2

COLOR: BLACK

NEW



PART NO	A	G	E	T P.C.B. THICKNESS	C CHASSIS THICKNESS	PACKAGE
★ LMG-7JK	7.0	10.5	4.83	1.6	1.93	1000

3-114-3



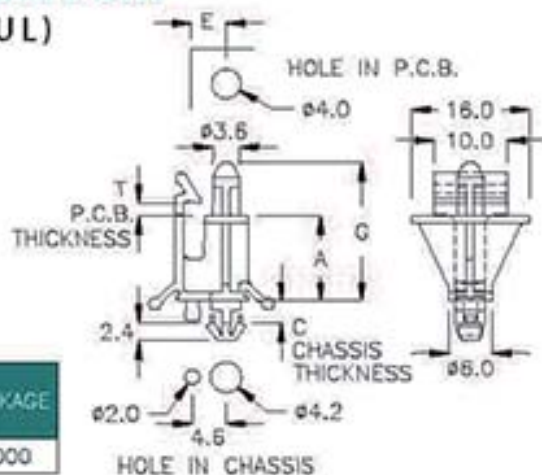
P.C.板間隔柱 SPACER SUPPORT

MATERIAL: NYLON 66(UL)

FLAME CLASS: 94V-2

COLOR: BLACK

NEW



PART NO	A	G	E	T P.C.B. THICKNESS	C CHASSIS THICKNESS	PACKAGE
★ LMGA-11PS	11.6	18.9	4.8	1.6	2.6	1000

P.C.板間隔柱 SPACER SUPPORT

PINGOOD

3-115-1

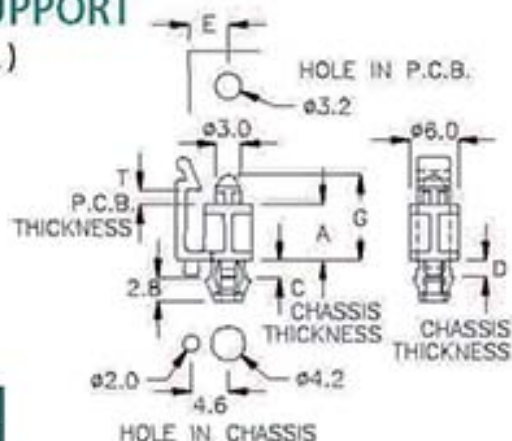


P.C.板間隔柱 SPACER SUPPORT

MATERIAL: NYLON 66(UL)

FLAME CLASS: 94V-2

COLOR: BLACK



PART NO	A	G	E	T P.C.B. THICKNESS	C CHASSIS THICKNESS	D CHASSIS THICKNESS	PACKAGE
★ LMW-07	7.0	10.7	4.8	1.6	1.9	1.7	1000

3-115-2

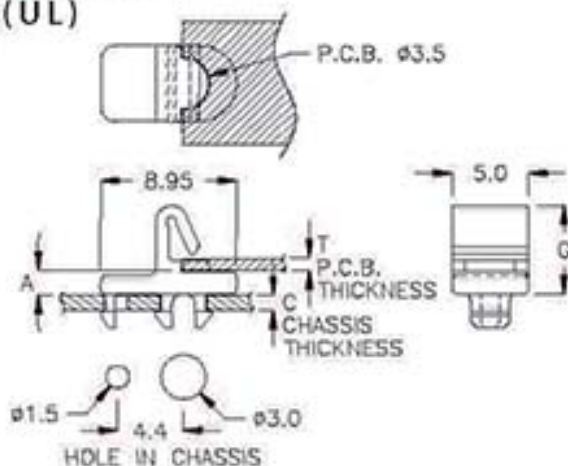


M.2卡固定扣 SPACER SUPPORT

MATERIAL: NYLON 66(UL)

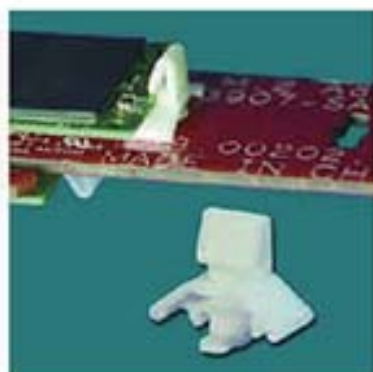
FLAME CLASS: 94V-2

COLOR: NATURAL



PART NO	A	G	T P.C.B. THICKNESS	C CHASSIS THICKNESS	PACKAGE
LSN-1A	1.5	5.8	0.85	1.0	2000
LSN-1XR	1.5	5.6	0.85	1.8	

3-115-3



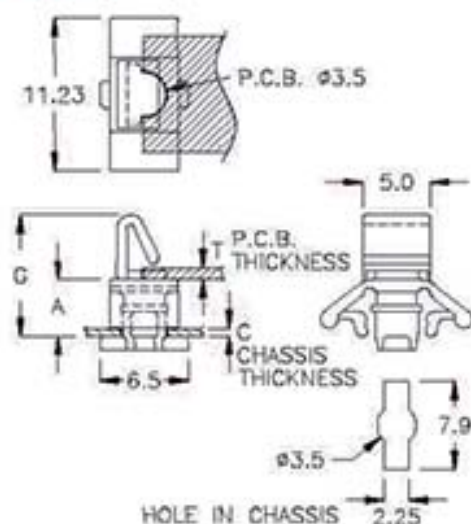
M.2卡固定扣 SPACER SUPPORT

MATERIAL: NYLON 66(UL)

FLAME CLASS: 94V-2

COLOR: NATURAL

Insert With 90 Degree Angle
And Press Down



PART NO	A	G	T P.C.B. THICKNESS	C CHASSIS THICKNESS	PACKAGE
LSZ-4A	4.15	9.0	0.8	1.0~1.8	1000

P.C.板間隔柱SPACER SUPPORT

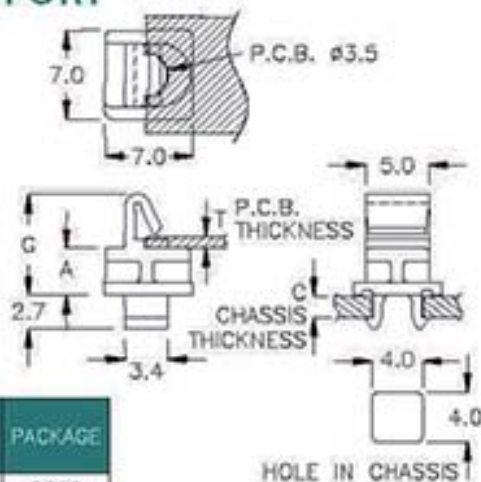
PINGOOD

3-116-1



M.2卡固定扣 SPACER SUPPORT

MATERIAL: NYLON 66(UL)
FLAME CLASS: 94V-2
COLOR: NATURAL



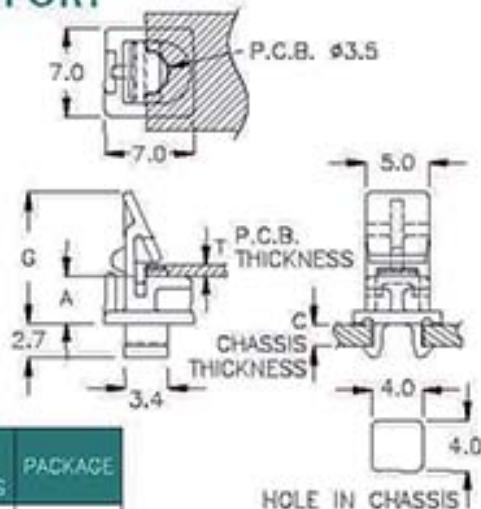
PART NO	A	G	T P.C.B. THICKNESS	C CHASSIS THICKNESS	PACKAGE
LSP-3AN	3.7	8.0	0.8	1.6	2000

3-116-2



M.2卡固定扣 SPACER SUPPORT

MATERIAL: NYLON 66(UL)
FLAME CLASS: 94V-2
COLOR: NATURAL



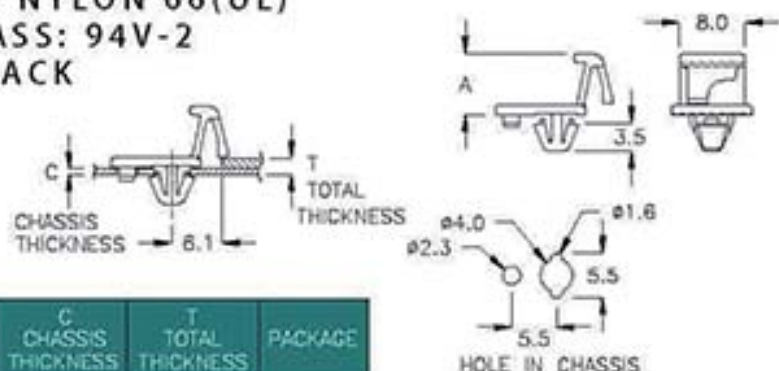
PART NO	A	G	T P.C.B. THICKNESS	C CHASSIS THICKNESS	PACKAGE
LTQ-2AR	2.5	9.3	0.8	1.6	2000
LTQ-3CP	3.7	10.5	0.8	1.6	

3-116-3



M.2卡固定扣 SPACER SUPPORT

MATERIAL: NYLON 66(UL)
FLAME CLASS: 94V-2
COLOR: BLACK



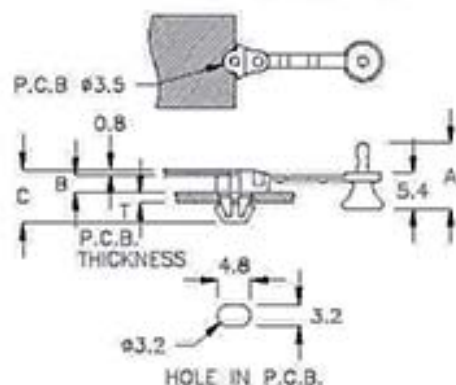
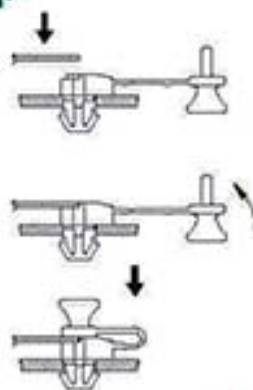
PART NO	A	C CHASSIS THICKNESS	T TOTAL THICKNESS	PACKAGE
LSR-1FM	7.5	0.8	2.1	1000

P.C.板間隔柱SPACER SUPPORT

PINGOOD

3-117-1

M.2卡固定扣 M.2 Card Snap Clip

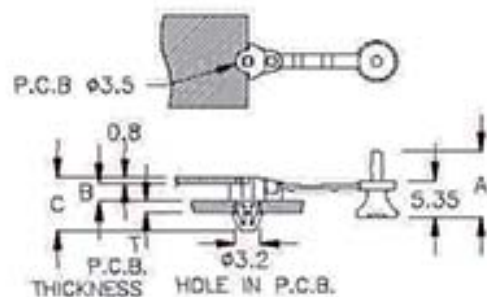
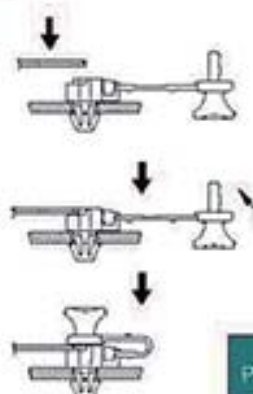


MATERIAL: NYLON 66(UL)
FLAME CLASS: 94V-2
COLOR: BLACK

PART NO	A	B	C	T P.C.B. THICKNESS	PACKAGE
SRTC-4A	9.7	2.5	7.8	1.6	500
SRTC-4FD	10.9	2.5	9.2	3.0	1000

3-117-2

M.2卡固定扣 M.2 Card Snap Clip

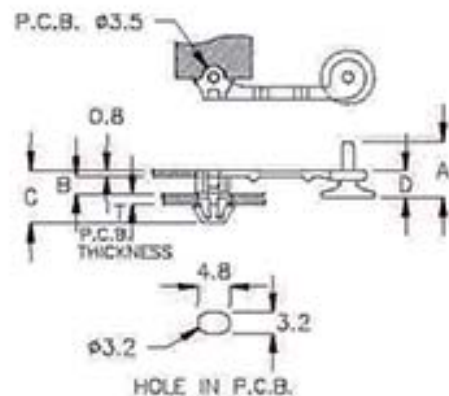
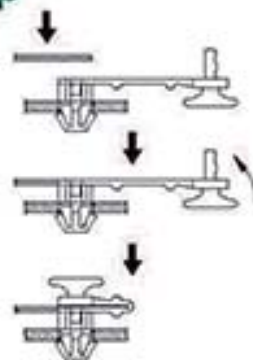


MATERIAL: NYLON 66(UL)
FLAME CLASS: 94V-2
COLOR: BLACK

PART NO	A	B	C	T P.C.B. THICKNESS	PACKAGE
SRTH-3FG	9.7	2.5	7.65	1.6	500

3-117-3

M.2卡固定扣 M.2 Card Snap Clip



MATERIAL: NYLON 66(UL)
FLAME CLASS: 94V-2
COLOR: NATURAL

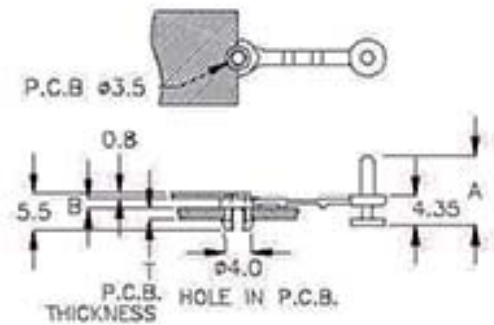
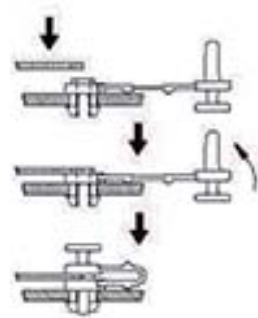
PART NO	A	B	C	D	T P.C.B. THICKNESS	PACKAGE
SRTF-4GW	8.45	2.5	7.8	4.1	1.6	500
SRTF-4RM	9.7	2.5	7.4	5.4	1.2	

P.C.板間隔柱SPACER SUPPORT

PINGOOD

3-118-1

M.2卡固定扣 M.2 Card Snap Clip

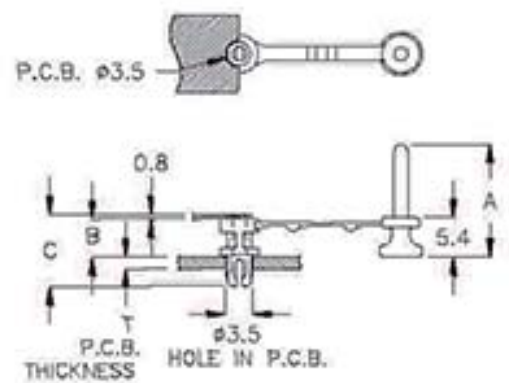
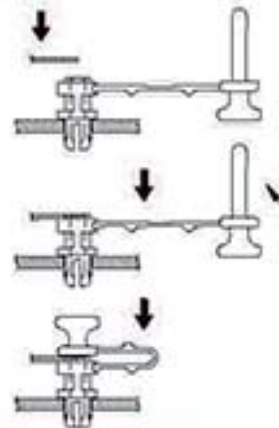


MATERIAL: NYLON 66(UL)
FLAME CLASS: 94V-2
COLOR: NATURAL

PART NO	A	B	T P.C.B. THICKNESS	PACKAGE
SRTQ-4D	10.25	1.5	1.6	500

3-118-2

M.2卡固定扣 M.2 Card Snap Clip

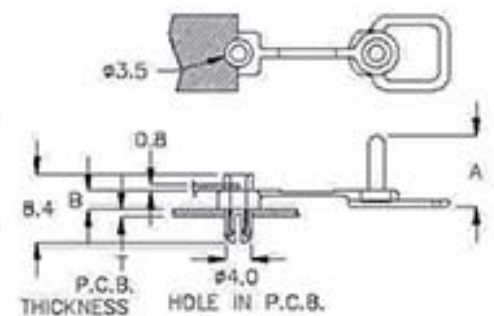
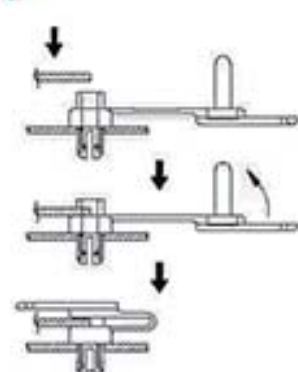


MATERIAL: NYLON 66(UL)
FLAME CLASS: 94V-2
COLOR: NATURAL, BLACK

PART NO	A	B	C	T P.C.B. THICKNESS	PACKAGE
SRTK-3GP	15.8	5.05	10.15	1.6~2.2	1000
SRTK-3RZ	17.35	6.65	11.95	1.6~2.2	

3-118-3

M.2卡固定扣 M.2 Card Snap Clip



MATERIAL: NYLON 66(UL)
FLAME CLASS: 94V-2
COLOR: NATURAL

PART NO	A	B	T P.C.B. THICKNESS	PACKAGE
SRTM-4K	8.8	2.3	1.2~1.6	500

P.C.板間隔柱SPACER SUPPORT

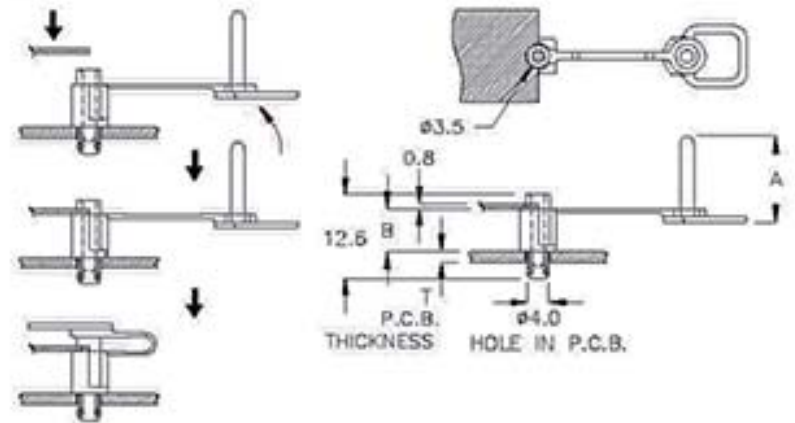
PINGOOD

3-119-1

M.2卡固定扣 M.2 Card Snap Clip



MATERIAL: NYLON 66(UL)
FLAME CLASS: 94V-2
COLOR: NATURAL



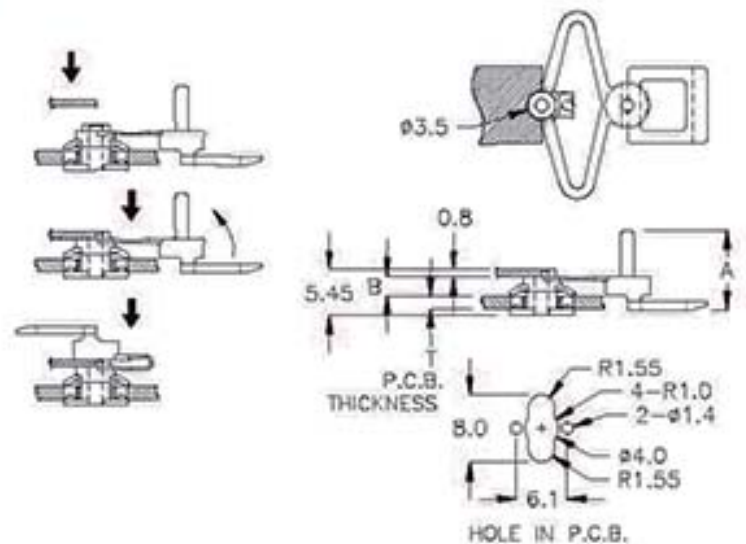
PART NO	A	B	T P.C.B. THICKNESS	PACKAGE
SRTM-4PQ	13.5	6.5	1.2~1.6	500

3-119-2

M.2卡固定扣 M.2 Card Snap Clip



MATERIAL: NYLON 66(UL)
FLAME CLASS: 94V-2
COLOR: BLACK



PART NO	A	B	T P.C.B. THICKNESS	PACKAGE
SRTP-4FQ	9.4	2.35	1.6	500

P.C.板間隔柱SPACER SUPPORT

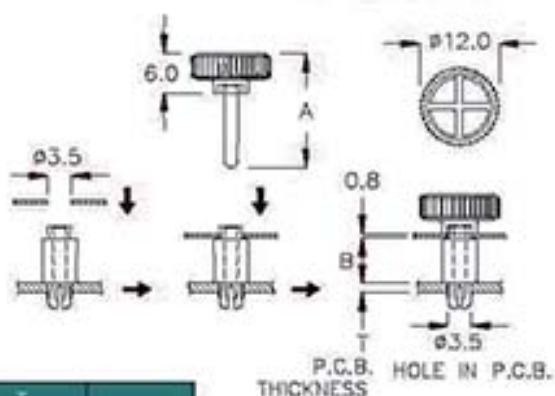
PINGOOD

3-120-1

M.2卡固定扣 M.2 Card Snap Holder



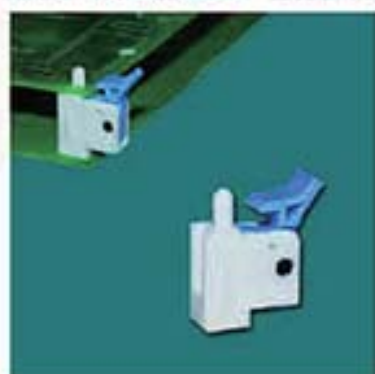
MATERIAL: NYLON 66(UL)
FLAME CLASS: 94V-2
COLOR: BLACK



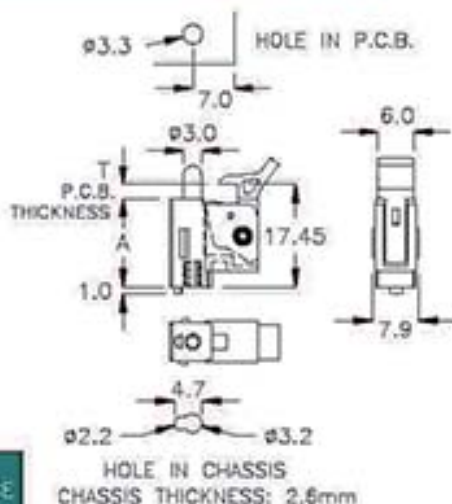
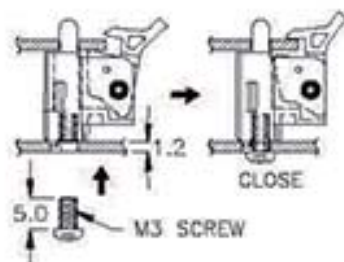
PART NO	A	B	T P.C.B. THICKNESS	PACKAGE
SRTA-3KP	17.4	6.65	1.6	500

3-120-2

M.2卡固定扣 M.2 Card Snap Holder



MATERIAL: NYLON 66(UL)
FLAME CLASS: 94V-0
COLOR: NATURAL, BLUE
USE SCREW: M3



PART NO	A	T P.C.B. THICKNESS	PACKAGE
LXC-21K	15.1	1.6	200

3-120-3

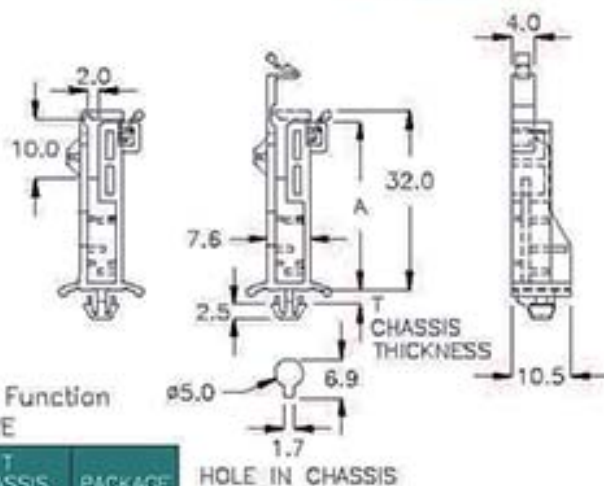
M.2卡固定扣 SPACER SUPPORT



NEW

MATERIAL: NYLON 66(UL)
FLAME CLASS: 94V-2
COLOR: NATURAL

Built-In Anti-Spin Function
WITH LOCK FEATURE



PART NO	A	T CHASSIS THICKNESS	PACKAGE
DAG-28C	30.0	1.8~2.0	500

3-120

www.pingood.com.tw

P.C.板間隔柱 SPACER SUPPORT

PINGOOD

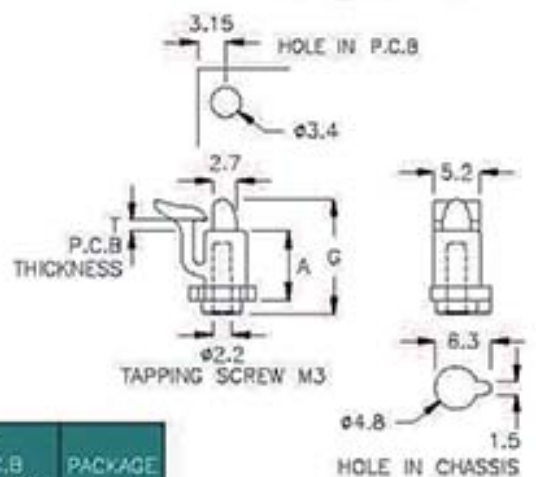
3-121-1

P.C.板間隔柱 SPACER SUPPORT



MATERIAL: NYLON 66(UL)
 FLAME CLASS: 94V-2
 COLOR: NATURAL, BLACK
 TAPPING SCREW M3x6

PART NO	A	G	T P.C.B. THICKNESS	PACKAGE
LTW-7C	7.85	12.9	1.0~1.2	1000



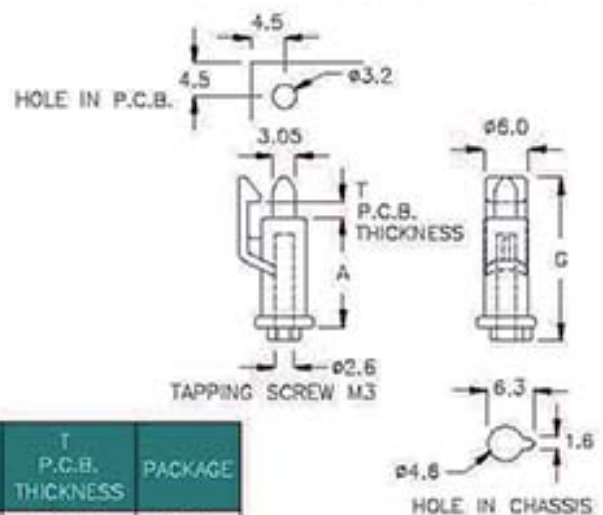
3-121-2

P.C.板間隔柱 SPACER SUPPORT



MATERIAL: NYLON 66(UL)
 FLAME CLASS: 94V-2
 COLOR: BLUE
 TAPPING SCREW M3x8

PART NO	A	G	T P.C.B. THICKNESS	PACKAGE
LTF-01	15.0	22.2	1.6~1.8	500



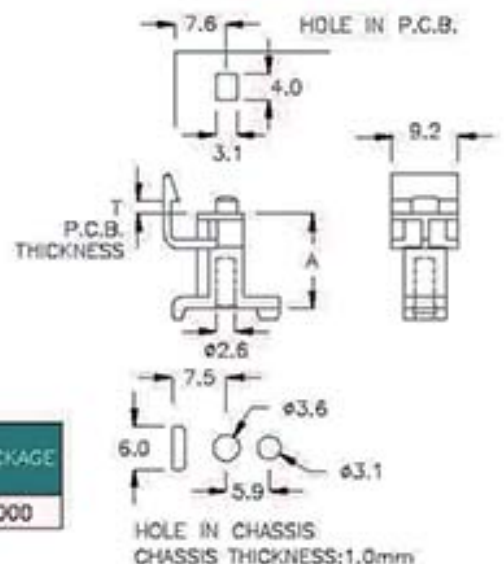
3-121-3

P.C.板間隔柱 SPACER SUPPORT



MATERIAL: NYLON 66(UL)
 FLAME CLASS: 94V-2
 COLOR: NATURAL, GREEN
 TAPPING SCREW M3x7

PART NO	A	T P.C.B. THICKNESS	PACKAGE
LTR-13A	13.2	1.4~1.6	1000



P.C.板間隔柱 SPACER SUPPORT

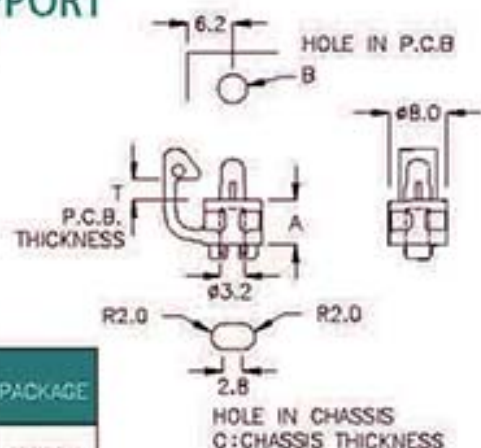
PINGOOD

3-122-1



P.C.板間隔柱 SPACER SUPPORT

MATERIAL: NYLON 66(UL)
 FLAME CLASS: 94V-2
 COLOR: NATURAL
 TAPPING SCREW: M3.5x6



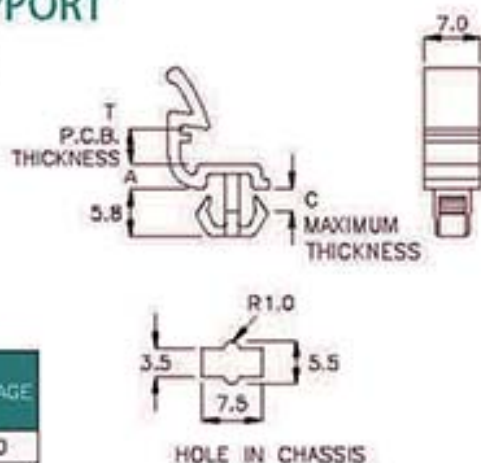
PART NO	A	B	C CHASSIS THICKNESS	T P.C.B THICKNESS	PACKAGE
LTK-6A	6.2	ø4.0	2.0~2.3	2.8~3.0	1000
LTK-7C	7.5	ø3.3	2.5~2.7	1.6~1.85	

3-122-2



P.C.板間隔柱 SPACER SUPPORT

MATERIAL: NYLON 66(UL)
 FLAME CLASS: 94V-2
 COLOR: NATURAL



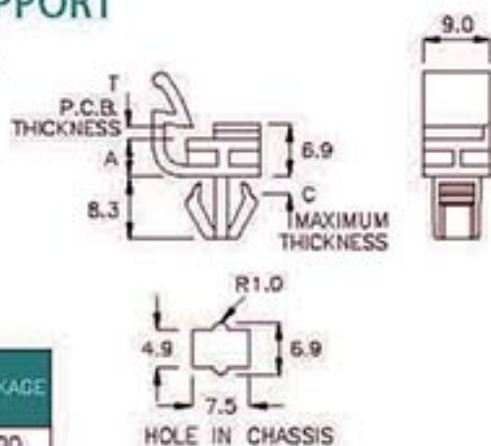
PART NO	A	T P.C.B. THICKNESS	C MAXIMUM THICKNESS	PACKAGE
LS-3A	3.0	3.8~4.0	2.0	500

3-122-3



P.C.板間隔柱 SPACER SUPPORT

MATERIAL: NYLON 66(UL)
 FLAME CLASS: 94V-2
 COLOR: NATURAL



PART NO	A	T P.C.B. THICKNESS	C MAXIMUM THICKNESS	PACKAGE
LS-4A	4.9	1.4~1.6	1.6	500

P.C.板間隔柱 SPACER SUPPORT

PINGOOD

3-123-1

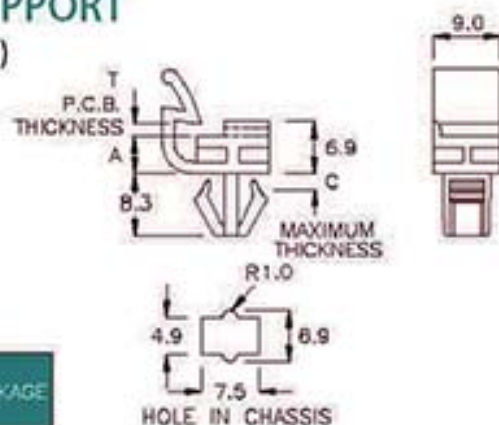


P.C.板間隔柱 SPACER SUPPORT

MATERIAL: NYLON 66(UL)

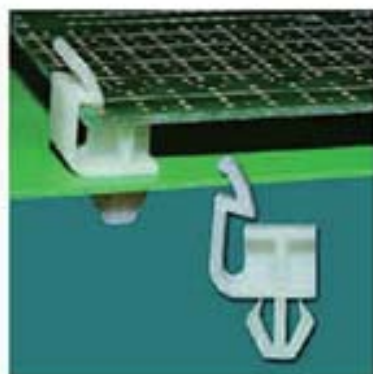
FLAME CLASS: 94V-2

COLOR: NATURAL



PART NO	A	T P.C.B. THICKNESS	C MAXIMUM THICKNESS	PACKAGE
LS-4C	4.9	1.4~1.6	1.6	500

3-123-2

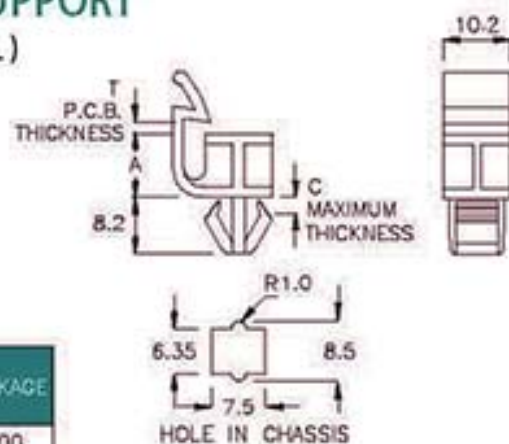


P.C.板間隔柱 SPACER SUPPORT

MATERIAL: NYLON 66(UL)

FLAME CLASS: 94V-2

COLOR: NATURAL



PART NO	A	T P.C.B. THICKNESS	C MAXIMUM THICKNESS	PACKAGE
LS-9A	9.0	0.8~2.2	2.0	500

3-123-3

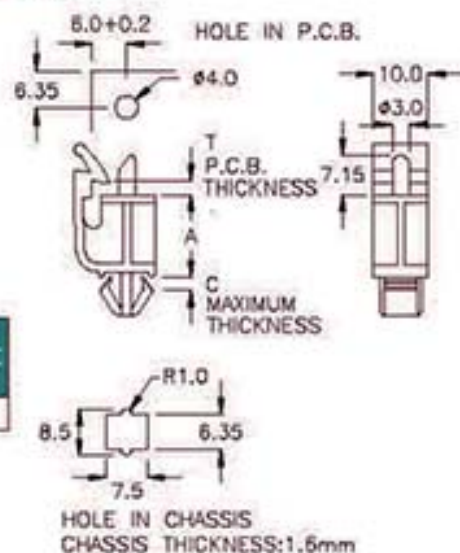


P.C.板間隔柱 SPACER SUPPORT

MATERIAL: NYLON 66(UL)

FLAME CLASS: 94V-2

COLOR: NATURAL



PART NO	A	T P.C.B. THICKNESS	C MAXIMUM THICKNESS	PACKAGE
LS-15	15.2	1.4~1.6	1.6	500

P.C.板間隔柱 SPACER SUPPORT

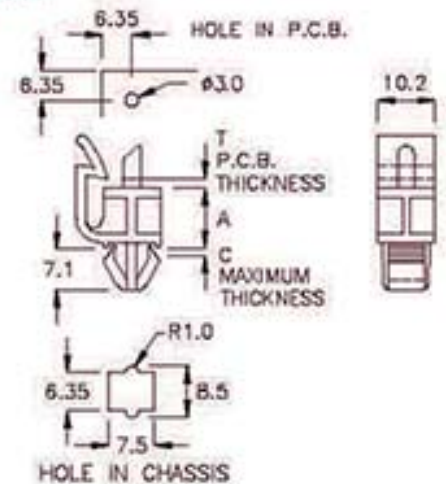
PINGOOD

3-124-1



P.C.板間隔柱 SPACER SUPPORT

MATERIAL: NYLON 66(UL)
FLAME CLASS: 94V-2
COLOR: NATURAL



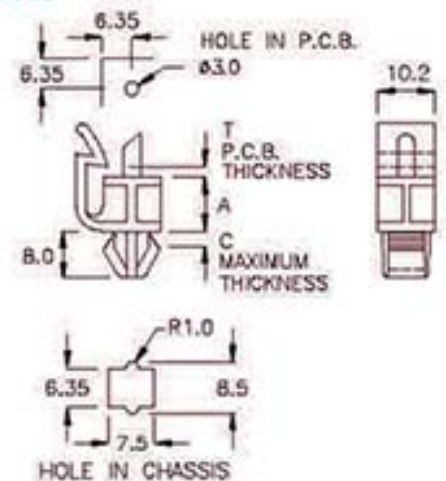
PART NO	A	T P.C.B. THICKNESS	C MAXIMUM THICKNESS	PACKAGE
LS-7	7.5	0.8~2.2	1.4	500
LS-10	10.0	0.8~2.2	1.4	

3-124-2



P.C.板間隔柱 SPACER SUPPORT

MATERIAL: NYLON 66(UL)
FLAME CLASS: 94V-2
COLOR: NATURAL



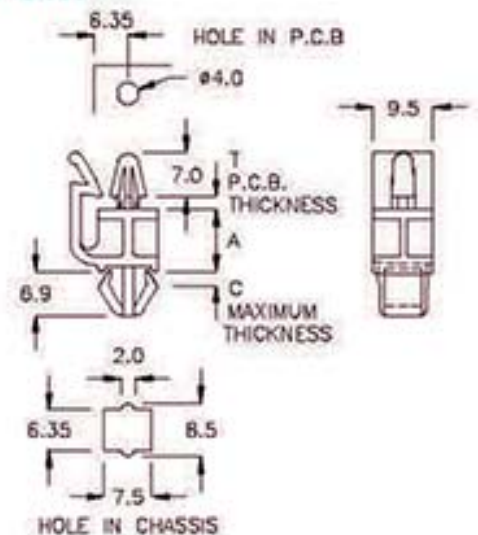
PART NO	A	T P.C.B. THICKNESS	C MAXIMUM THICKNESS	PACKAGE
LS-9	9.0	0.8~2.2	2.0	500

3-124-3



P.C.板間隔柱 SPACER SUPPORT

MATERIAL: NYLON 66(UL)
FLAME CLASS: 94V-2
COLOR: NATURAL

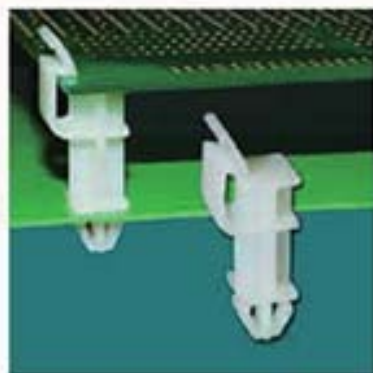


PART NO	A	T P.C.B. THICKNESS	C MAXIMUM THICKNESS	PACKAGE
LSQ-10	10.0	1.6	1.6	500

P.C.板間隔柱 SPACER SUPPORT

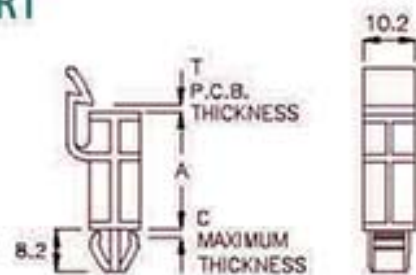
PINGOOD

3-125-1

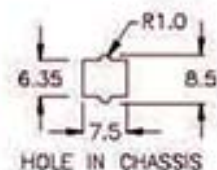


P.C.板間隔柱 SPACER SUPPORT

MATERIAL: NYLON 66(UL)
FLAME CLASS: 94V-2
COLOR: NATURAL



PART NO	A	T P.C.B. THICKNESS	C MAXIMUM THICKNESS	PACKAGE
LS-22A	22.5	1.4~1.6	0.8	500

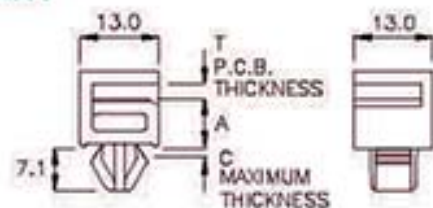


3-125-2

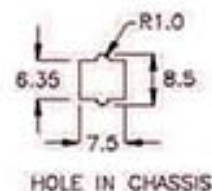


P.C.板間隔柱 SPACER SUPPORT

MATERIAL: NYLON 66(UL)
FLAME CLASS: 94V-2
COLOR: NATURAL



PART NO	A	T P.C.B. THICKNESS	C MAXIMUM THICKNESS	PACKAGE
LTS-7	7.5	0.8~2.2	1.4	500
LTS-10	10.0	0.8~2.2	1.4	

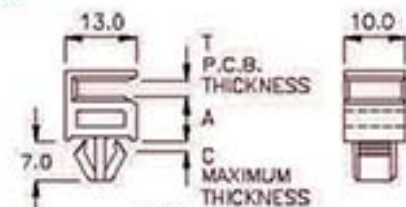


3-125-3

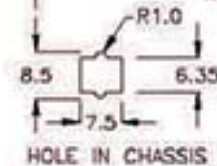


P.C.板間隔柱 SPACER SUPPORT

MATERIAL: NYLON 66(UL)
FLAME CLASS: 94V-2
COLOR: NATURAL



PART NO	A	T P.C.B. THICKNESS	C MAXIMUM THICKNESS	PACKAGE
LTS-10A	10.0	1.2~2.2	1.6	500



P.C.板間隔柱 SPACER SUPPORT

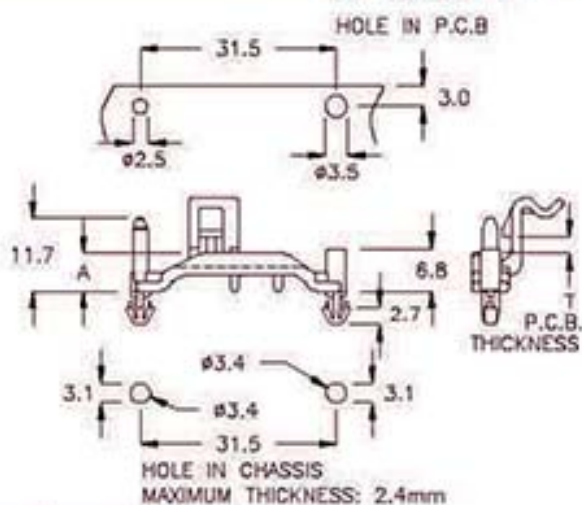
PINGOOD

3-126-1

P.C.板間隔柱 SPACER SUPPORT



MATERIAL: NYLON 66(UL)
FLAME CLASS: 94V-2
COLOR: NATURAL, BLUE



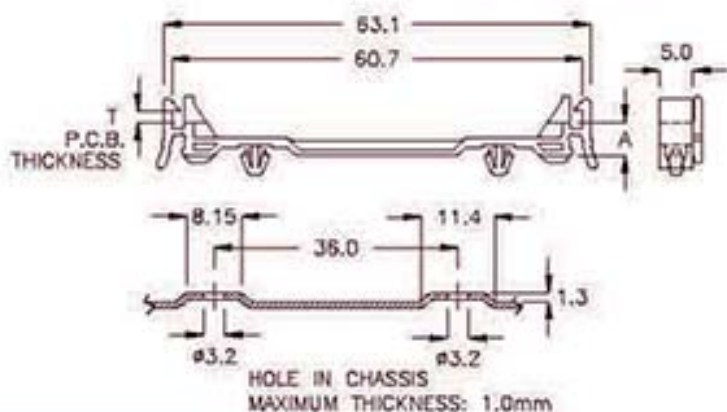
PART NO	A	T P.C.B. THICKNESS	PACKAGE
FKK-8RC	6.1	1.4~1.6	200

3-126-2

P.C.板間隔柱 SPACER SUPPORT



MATERIAL: NYLON 66(UL)
FLAME CLASS: 94V-2
COLOR: BLACK



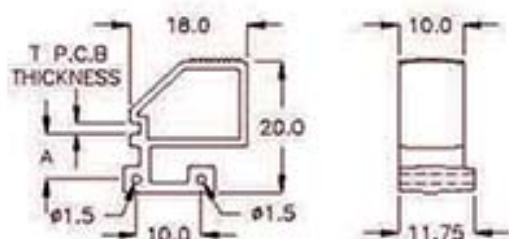
PART NO	A	T P.C.B. THICKNESS	PACKAGE
MTG-850R	4.9	1.6	200

3-126-3

P.C.板間隔柱 SPACER SUPPORT



MATERIAL: NYLON 66(UL)
FLAME CLASS: 94V-2
COLOR: NATURAL
M2x8 TAPPING SCREW



PART NO	A	T P.C.B. THICKNESS	PACKAGE
LSY-07	7.0	1.4~1.6	200

P.C.板間隔柱 SPACER SUPPORT

PINGOOD

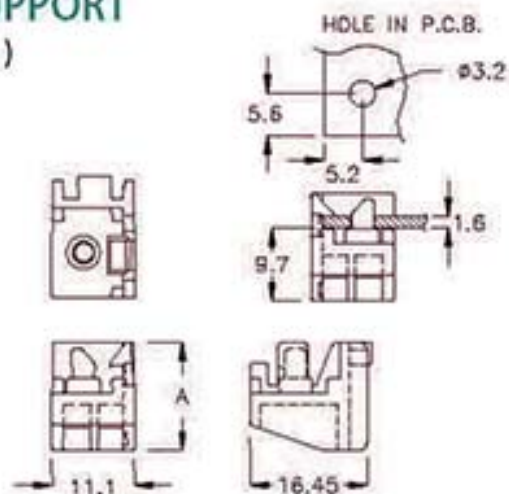
3-127-1



P.C.板間隔柱 SPACER SUPPORT

MATERIAL: NYLON 66(UL)
FLAME CLASS: 94V-0
COLOR: BLACK

PART NO	A	PACKAGE
MTC-14A	14.65	1000



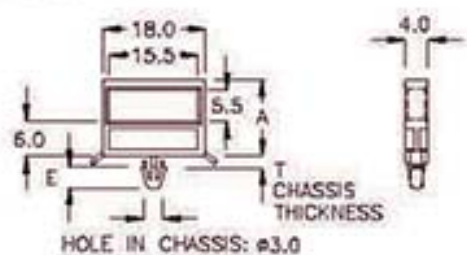
3-127-2



P.C.板間隔柱 SPACER SUPPORT

MATERIAL: NYLON 66(UL)
FLAME CLASS: 94V-2
COLOR: NATURAL

PART NO	A	T CHASSIS THICKNESS	E	PACKAGE
LD-13	13.3	1.2~1.6	3.8	500



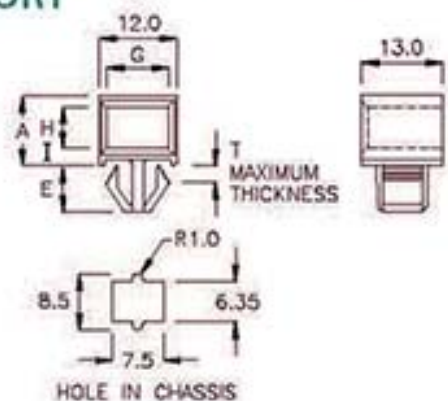
3-127-3



P.C.板間隔柱 SPACER SUPPORT

MATERIAL: NYLON 66(UL)
FLAME CLASS: 94V-2
COLOR: NATURAL

PART NO	A	E	G	H	I	T MAXIMUM THICKNESS	PACKAGE
LW-10	10.6	7.1	9.4	6.3	2.65	1.8	200
LW-012	12.7	7.1	9.2	8.2	2.75	1.8	
LW-013	12.5	6.4	9.1	8.2	2.5	1.4	



P.C.板間隔柱 SPACER SUPPORT

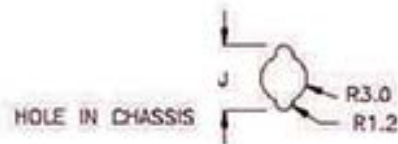
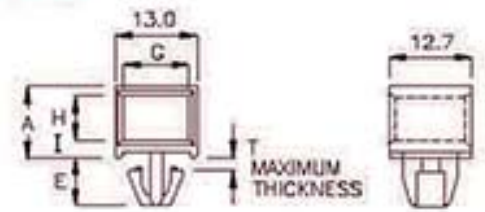
PINGOOD

3-128-1



P.C.板間隔柱 SPACER SUPPORT

MATERIAL: NYLON 66(UL)
FLAME CLASS: 94V-2
COLOR: NATURAL



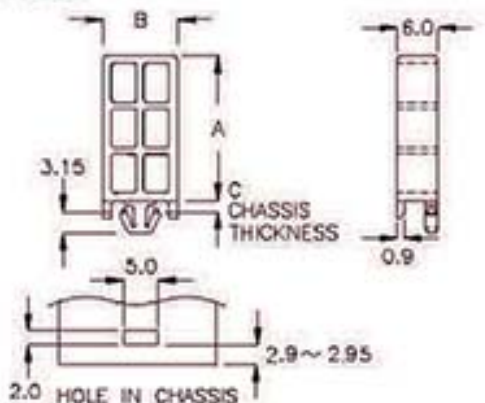
PART NO	A	E	G	H	I	J	T MAXIMUM THICKNESS	PACKAGE
LD-10A	10.6	7.2	9.5	6.1	2.5	8.4	1.6	500
LD-12C	12.6	7.1	9.1	8.2	2.65	9.4	1.6	

3-128-2



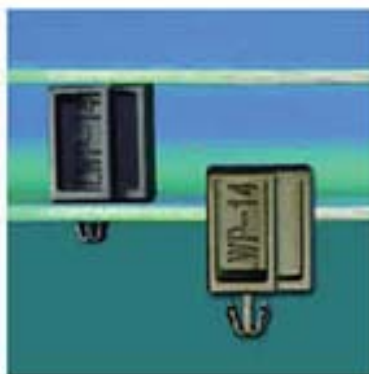
P.C.板間隔柱 SPACER SUPPORT

MATERIAL: NYLON 66(UL)
FLAME CLASS: 94V-2
COLOR: BLACK



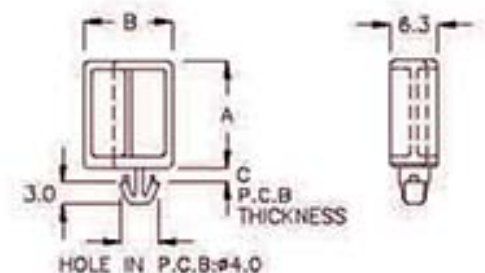
PART NO	A	B	C CHASSIS THICKNESS	PACKAGE
LWC-21A	21.5	11.0	1.4~1.6	500

3-128-3



P.C.板間隔柱 SPACER SUPPORT

MATERIAL: NYLON 66(UL)
FLAME CLASS: 94V-2
COLOR: NATURAL, BLACK



PART NO	A	B	C P.C.B THICKNESS	PACKAGE
LWP-14	14.0	11.7	1.7	500

P.C.板間隔柱 SPACER SUPPORT

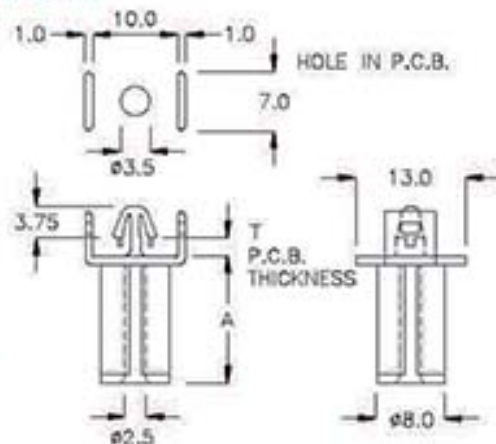
PINGOOD

3-129-1



P.C.板間隔柱 SPACER SUPPORT

MATERIAL: NYLON 66(UL)
 FLAME CLASS: 94V-2
 COLOR: NATURAL
 TAPPING SCREW M3x8



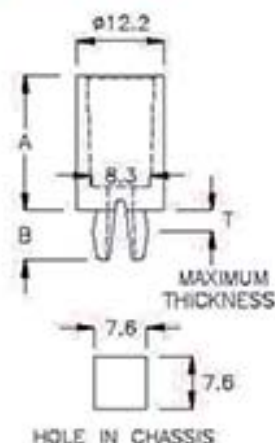
PART NO.	A	T P.C.B. THICKNESS	PACKAGE
LSL-15	15.0	1.8~1.95	500

3-129-2



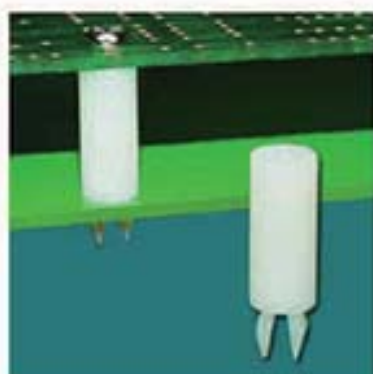
P.C.板間隔柱 SPACER SUPPORT

MATERIAL: NYLON 66(UL)
 FLAME CLASS: 94V-2
 COLOR: NATURAL
 USE STANDARD TAPPING
 SCREW: TAPPING SCREW
 #6-32UNC



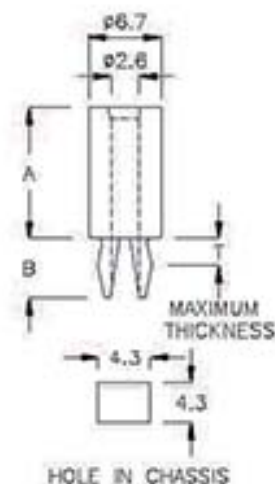
PART NO.	A	B	T MAXIMUM THICKNESS	PACKAGE
TS-18	18.8	7.0	2.2	500

3-129-3



P.C.板間隔柱 SPACER SUPPORT

MATERIAL: NYLON 66(UL)
 FLAME CLASS: 94V-2
 COLOR: NATURAL
 USE STANDARD TAPPING
 SCREW: TAPPING SCREW
 M3x22 mm

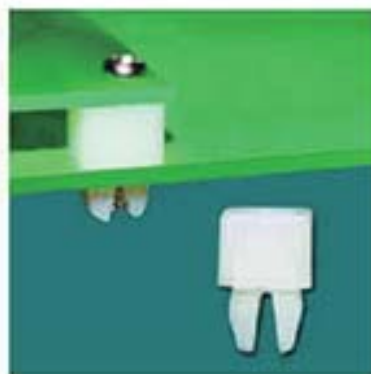


PART NO.	A	B	T MAXIMUM THICKNESS	PACKAGE
TSA-16	15.9	5.5	1.6	200

P.C.板間隔柱 SPACER SUPPORT

PINGOOD

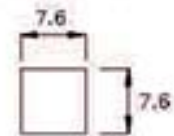
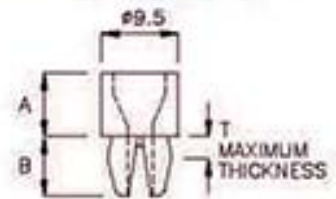
3-130-1



P.C.板間隔柱 SPACER SUPPORT

MATERIAL: NYLON 66(UL)
 FLAME CLASS: 94V-2
 COLOR: NATURAL
 USE STANDARD TAPPING
 SCREW: TAPPING SCREW
 #6-32UNC

PART NO	A	B	T MAXIMUM THICKNESS	PACKAGE
TB-6	1.3	7.0	2.2	1000
TB-6A	1.0	7.0	2.2	
TB-7	7.6	7.1	2.2	



HOLE IN CHASSIS

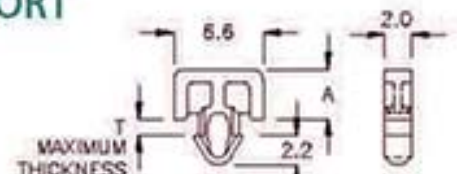
3-130-2



P.C.板間隔柱 SPACER SUPPORT

MATERIAL: NYLON 66(UL)
 FLAME CLASS: 94V-2
 COLOR: NATURAL

PART NO	A	T MAXIMUM THICKNESS	PACKAGE
LWH-3K	3.7	1.0	2000
LWH-3C	5.2	1.0	500



HOLE IN CHASSIS

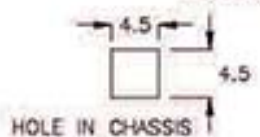
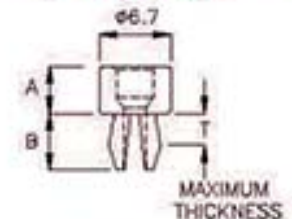
3-130-3



P.C.板間隔柱 SPACER SUPPORT

MATERIAL: NYLON 66(UL)
 FLAME CLASS: 94V-2
 COLOR: NATURAL
 USE STANDARD TAPPING
 SCREW: TAPPING M2.5

PART NO	A	B	T MAXIMUM THICKNESS	PACKAGE
TSC-4A	4.5	5.4	2.0	1000



HOLE IN CHASSIS

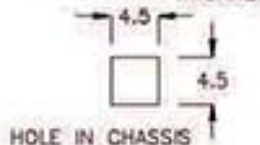
3-130-4



P.C.板間隔柱 SPACER SUPPORT

MATERIAL: NYLON 66(UL)
 FLAME CLASS: 94V-2
 COLOR: NATURAL
 USE STANDARD TAPPING
 SCREW: TAPPING M3

PART NO	A	B	T MAXIMUM THICKNESS	PACKAGE
TSC-4DK	4.5	5.4	2.3	1000



HOLE IN CHASSIS

P.C.板間隔柱 SPACER SUPPORT

PINGOOD

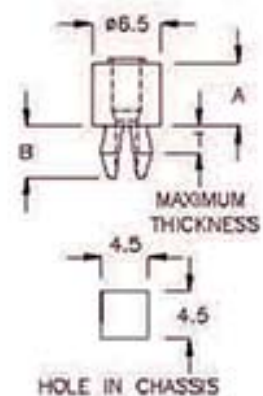
3-131-1



P.C.板間隔柱 SPACER SUPPORT

MATERIAL: NYLON 66(UL)
FLAME CLASS: 94V-2
COLOR: NATURAL
USE STANDARD TAPPING
SCREW: TAPPING M2.5

PART NO	A	B	T MAXIMUM THICKNESS	PACKAGE
TSD-6M	6.0	4.9	1.6	1000



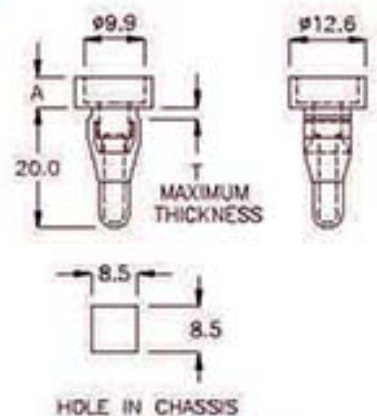
3-131-2



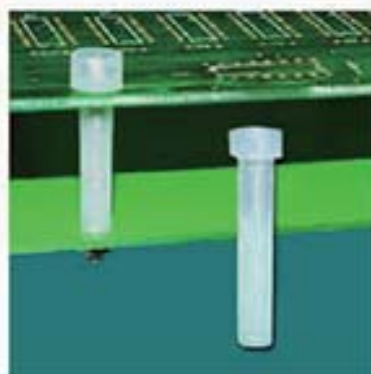
P.C.板間隔柱 SPACER SUPPORT

MATERIAL: NYLON 66(UL)
FLAME CLASS: 94V-2
COLOR: NATURAL
USE STANDARD TAPPING
SCREW: TAPPING M4x10mm

PART NO	A	T MAXIMUM THICKNESS	PACKAGE
TB-10	4.9	1.0	500
TB-10A	3.0	1.0	
TB-10C	0.8	1.0	



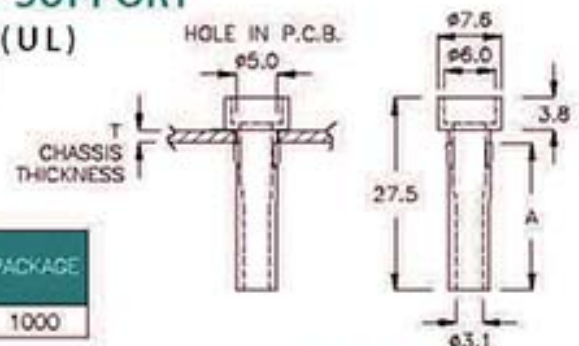
3-131-3



P.C.板間隔柱 SPACER SUPPORT

MATERIAL: NYLON 66(UL)
FLAME CLASS: 94V-2
COLOR: NATURAL

PART NO	A	T CHASSIS THICKNESS	PACKAGE
RMF-22	22.1	1.3~1.5	1000



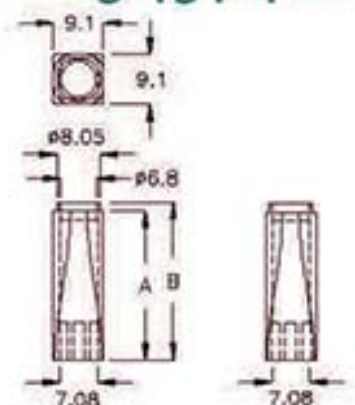
3-131-4



固定座 MOUNT

MATERIAL: NYLON 66(UL)
FLAME CLASS: 94V-2
COLOR: NATURAL

PART NO	A	B	PACKAGE
RMF-21A	21.4	23.0	500
RMF-25A	25.9	27.5	
RMF-27A	27.7	29.3	
RMF-32A	32.3	34.4	



P.C.板間隔柱SPACER SUPPORT

PINGOOD

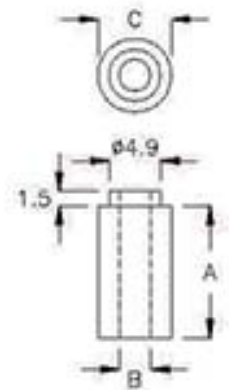
3-132-1



圓體間隔柱 SPACER SUPPORT

MATERIAL: NYLON 66(UL)
FLAME CLASS: 94V-2
COLOR: NATURAL

PART NO	A	B	C	PACKAGE
AD-012	12.0	ø3.0	ø7.0	500
AD-12A	12.5	ø3.2	ø7.0	



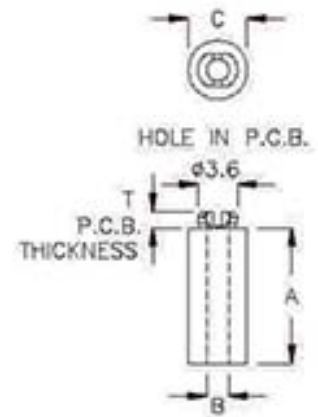
3-132-2



圓體間隔柱 SPACER SUPPORT

MATERIAL: NYLON 66(UL)
FLAME CLASS: 94V-2
COLOR: NATURAL

PART NO	A	B	C	T P.C.B. THICKNESS	PACKAGE
ADK-13	13.0	ø2.1	ø5.6	1.6	1000



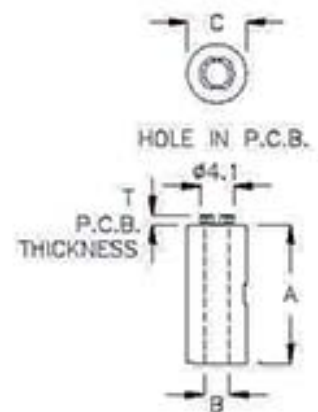
3-132-3



圓體間隔柱 SPACER SUPPORT

MATERIAL: NYLON 66(UL)
FLAME CLASS: 94V-2
COLOR: NATURAL

PART NO	A	B	C	T P.C.B. THICKNESS	PACKAGE
ADH-06C	6.3	ø3.25	ø7.4	1.4~1.6	1000
ADH-17	17.1	ø3.2	ø7.45	1.4~1.6	500
ADH-19T	19.1	ø3.25	ø7.4	1.4~1.6	



P.C.板間隔柱SPACER SUPPORT

PINGOOD

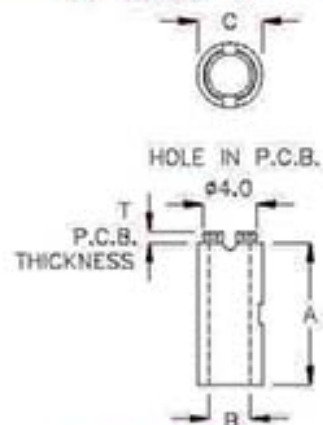
3-133-1



圓體間隔柱 SPACER SUPPORT

MATERIAL: NYLON 66(UL)
FLAME CLASS: 94V-2
COLOR: NATURAL

PART NO	A	B	C	T P.C.B. THICKNESS	PACKAGE
ADP-20A	20.0	φ3.2	φ5.0	1.0~1.2	500



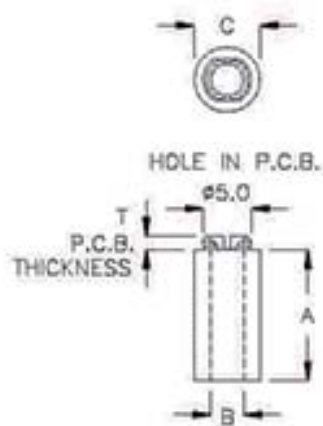
3-133-2



圓體間隔柱 SPACER SUPPORT

MATERIAL: NYLON 66(UL)
FLAME CLASS: 94V-2
COLOR: NATURAL

PART NO	A	B	C	T P.C.B. THICKNESS	PACKAGE
ADF-2M	2.5	φ3.5	φ7.0	1.6~1.8	1000
ADF-03	3.0	φ3.5	φ7.0	1.6~1.8	
ADF-3M	3.5	φ3.5	φ7.0	1.6~1.8	
ADF-04	4.0	φ3.5	φ7.0	1.6~1.8	
ADF-4M	4.5	φ3.5	φ7.0	1.6~1.8	
ADF-05	5.0	φ3.5	φ7.0	1.6~1.8	
ADF-5M	5.5	φ3.5	φ7.0	1.6~1.8	
ADF-06	6.0	φ3.5	φ7.0	1.6~1.8	
ADF-6M	6.5	φ3.5	φ7.0	1.6~1.8	
ADF-07	7.0	φ3.5	φ7.0	1.6~1.8	
ADF-7M	7.5	φ3.5	φ7.0	1.6~1.8	
ADF-08	8.0	φ3.5	φ7.0	1.6~1.8	
ADF-8M	8.5	φ3.5	φ7.0	1.6~1.8	
ADF-09	9.0	φ3.5	φ7.0	1.6~1.8	
ADF-10	10.0	φ3.5	φ7.0	1.6~1.8	
ADF-11	11.0	φ3.5	φ7.0	1.6~1.8	
ADF-17RM	17.5	φ3.5	φ7.0	1.6~1.8	500



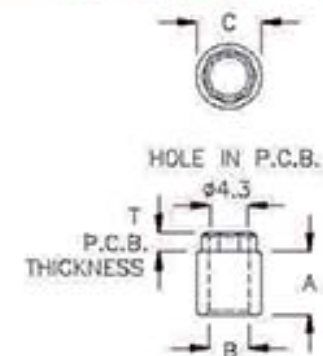
3-133-3



圓體間隔柱 SPACER SUPPORT

MATERIAL: NYLON 66(UL)
FLAME CLASS: 94V-2
COLOR: NATURAL

PART NO	A	B	C	T P.C.B. THICKNESS	PACKAGE
ADQ-05	5.0	φ3.2	φ5.2	1.6~1.8	2000



P.C.板間隔柱 SPACER SUPPORT

PINGOOD

3-134-1

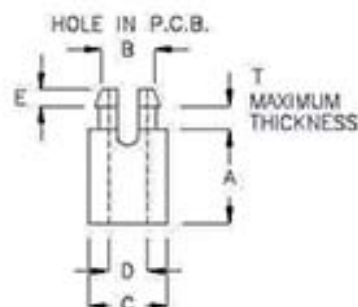


P.C.板間隔柱 SPACER SUPPORT

MATERIAL: NYLON 66(UL)

FLAME CLASS: 94V-2

COLOR: NATURAL



PART NO	A	B	C	D	T MAXIMUM THICKNESS	E	PACKAGE
SRS2-2A	2.5	ø3.0	ø4.0	ø2.1	1.6	1.0	2000
SRS2-2M	2.5	ø4.0	ø5.5	ø2.7	1.7	1.5	
SRS2-3	3.0	ø4.0	ø5.5	ø2.7	1.7	1.5	
SRS2-3GK	3.5	ø4.0	ø5.5	ø2.7	1.7	1.4	
SRS2-4	4.0	ø4.0	ø5.5	ø2.7	1.7	1.5	
SRS2-4AC	4.0	ø3.0	ø4.0	ø2.1	1.6	1.0	
SRS2-4CB	4.5	ø4.0	ø5.5	ø2.7	1.7	1.4	
SRS2-5	5.0	ø4.0	ø5.5	ø2.7	1.7	1.5	
SRS2-5ZM	5.5	ø4.0	ø5.5	ø2.7	1.7	1.4	
SRS2-6	6.0	ø4.0	ø5.5	ø2.7	1.7	1.5	
SRS2-6A	6.35	ø3.55	ø4.6	ø2.3	1.1	1.2	
SRS2-8	8.0	ø4.0	ø5.5	ø2.7	1.6	1.4	
SRS2-15	15.0	ø4.0	ø5.5	ø3.1	1.6	1.55	500
SRS3-3	3.5	ø4.8	ø6.4	ø3.2	1.7	1.4	2000
SRS3-3A	3.0	ø4.0	ø5.5	ø2.8	1.6	1.4	
SRS3-3M	3.0	ø4.8	ø6.5	ø3.2	1.7	1.7	
SRS3-3S	2.7	ø4.8	ø6.5	ø3.2	1.7	1.6	
SRS3-4	4.0	ø4.8	ø6.5	ø3.2	1.7	1.7	
SRS3-4A	4.5	ø4.8	ø6.5	ø3.4	1.6	1.9	
SRS3-5	5.0	ø4.8	ø6.5	ø3.2	1.7	1.6	
SRS3-6	6.5	ø4.8	ø6.4	ø3.2	1.7	1.6	
SRS3-6S	6.1	ø4.8	ø6.5	ø3.2	1.7	1.6	1000
SRS3-7	7.7	ø4.8	ø6.5	ø3.2	1.7	1.7	
SRS3-7F	7.4	ø4.8	ø6.5	ø3.2	1.7	1.7	
SRS3-7S	7.0	ø4.8	ø6.5	ø3.2	1.7	1.6	
SRS3-8	8.0	ø4.8	ø6.5	ø3.2	1.7	1.6	
SRS3-9	9.0	ø4.8	ø6.5	ø3.2	1.7	1.8	
SRS3-10M	10.5	ø4.8	ø6.5	ø3.2	1.7	1.7	
SRS3-12A	12.7	ø4.8	ø6.5	ø3.2	1.7	1.6	
SRS3-14	14.2	ø4.8	ø6.5	ø3.2	1.7	1.7	500
SRS4-6	6.4	ø6.0	ø6.9	ø3.9	1.7	1.6	1000
SRS4-12	12.7	ø6.0	ø6.9	ø3.9	1.7	1.7	500
SRS4-12S	12.0	ø6.0	ø6.9	ø3.9	1.7	1.6	

P.C.板間隔柱 SPACER SUPPORT

PINGOOD

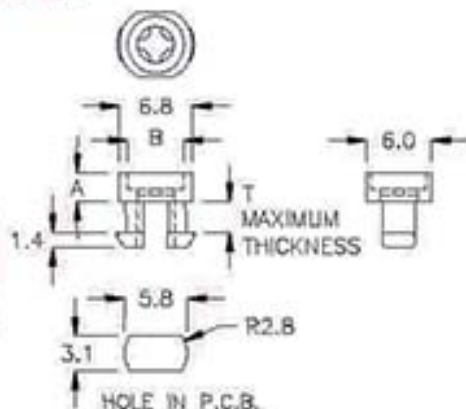
3-135-1



P.C.板間隔柱 SPACER SUPPORT

MATERIAL: NYLON 66(UL)
FLAME CLASS: 94V-2
COLOR: NATURAL

PART NO	A	B	T MAXIMUM THICKNESS	PACKAGE
SSR-2A	2.65	φ5.2	2.6	2000



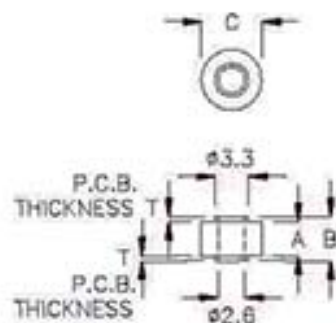
3-135-2



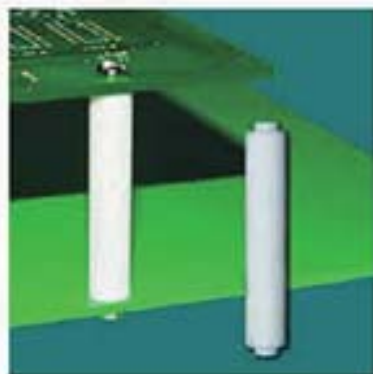
圓體間隔柱 SPACER SUPPORT

MATERIAL: NYLON 66(UL)
FLAME CLASS: 94V-2
COLOR: NATURAL

PART NO	A	B	C	T P.C.B. THICKNESS	PACKAGE
ADJ-2CH	2.9	3.9	φ6.0	0.8~1.6	2000
ADJ-3FD	3.4	4.4	φ6.0	0.8~1.6	



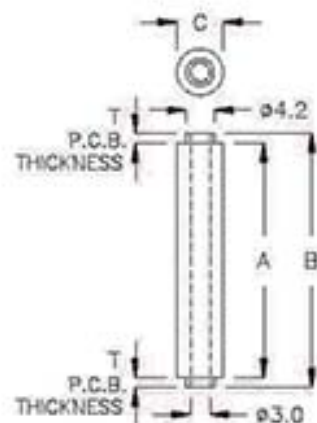
3-135-3



圓體間隔柱 SPACER SUPPORT

MATERIAL: NYLON 66(UL)
FLAME CLASS: 94V-0
COLOR: NATURAL

PART NO	A	B	C	T P.C.B. THICKNESS	PACKAGE
AD-35A	35.4	38.4	φ7.0	1.6~1.8	500



P.C.板間隔柱 SPACER SUPPORT

PINGOOD

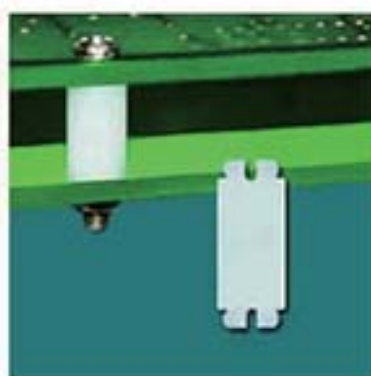
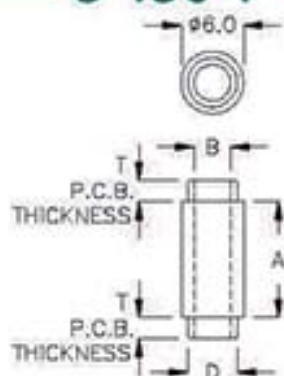


圓體間隔柱 SPACER SUPPORT

MATERIAL: NYLON 66(UL)
FLAME CLASS: 94V-2
COLOR: NATURAL

PART NO	A	B	D	T P.C.B. THICKNESS	PACKAGE
ADA-15	15.0	φ3.5	φ4.8	2.2~2.4	1000

3-136-1



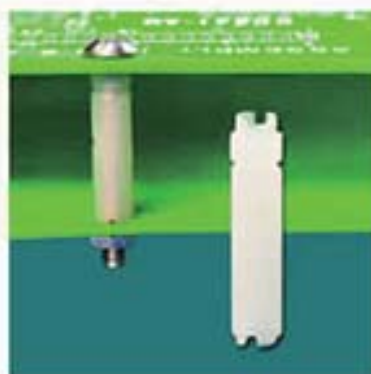
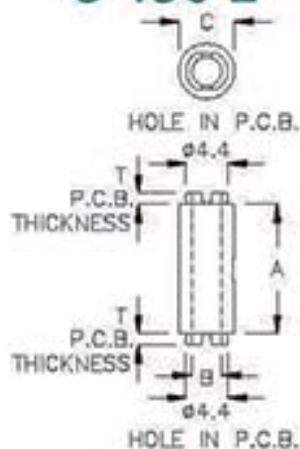
圓體間隔柱 SPACER SUPPORT

MATERIAL: NYLON 66(UL)
FLAME CLASS: 94V-2
COLOR: NATURAL

NEW

PART NO	A	B	C	T P.C.B. THICKNESS	PACKAGE
★ ADHM-14	14.0	φ3.2	φ6.0	1.4~1.6	500

3-136-2

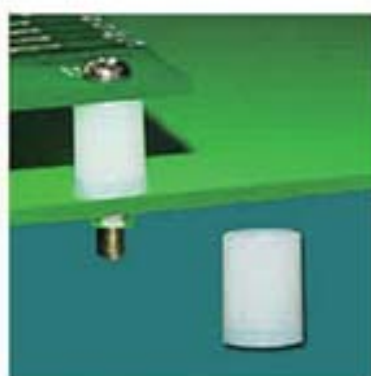
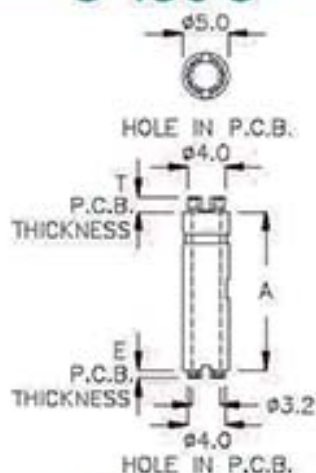


圓體間隔柱 SPACER SUPPORT

MATERIAL: NYLON 66(UL)
FLAME CLASS: 94V-2
COLOR: NATURAL

PART NO	A	T P.C.B. THICKNESS	E P.C.B. THICKNESS	PACKAGE
ADM-20A	20.0	1.8~2.0	1.0~1.2	500

3-136-3

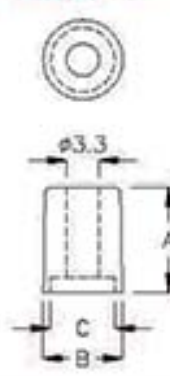


P.C.板間隔柱 SPACER SUPPORT

MATERIAL: NYLON 66(UL)
FLAME CLASS: 94V-2
COLOR: NATURAL

PART NO	A	B	C	PACKAGE
SH-10	10.5	φ8.0	φ6.5	1000

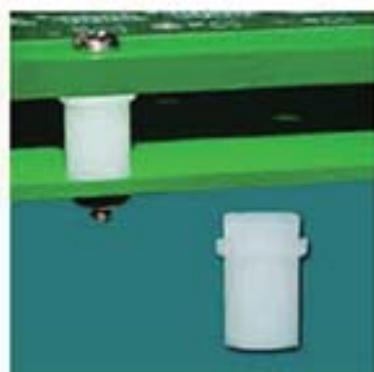
3-136-4



P.C.板間隔柱 SPACER SUPPORT

PINGOOD

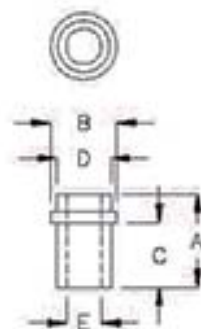
3-137-1



絕緣套 BUSHING

MATERIAL: NYLON 66(UL)
FLAME CLASS: 94V-2
COLOR: NATURAL

PART NO	A	B	C	D	E	PACKAGE
SH-12A	12.7	ø9.0	8.7	ø7.4	ø4.8	1000



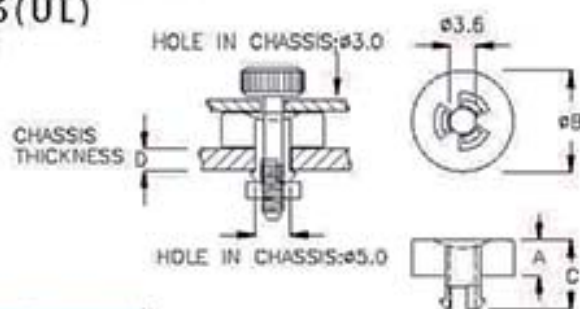
3-137-2



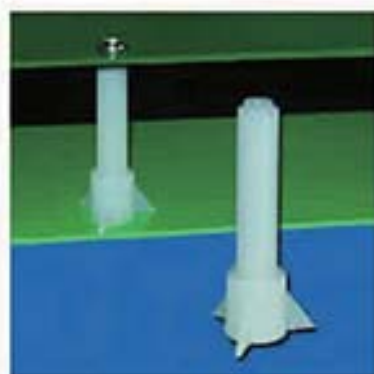
P.C.板間隔柱 SPACER SUPPORT

MATERIAL: NYLON 66(UL)
FLAME CLASS: 94V-2
COLOR: NATURAL
SCREW: M3

PART NO	A	B	C	D CHASSIS THICKNESS	PACKAGE
MHT-05	5.0	14.0	10.2	3.2~3.4	1000
MHT-5A	5.0	14.0	9.6	2.8~3.0	



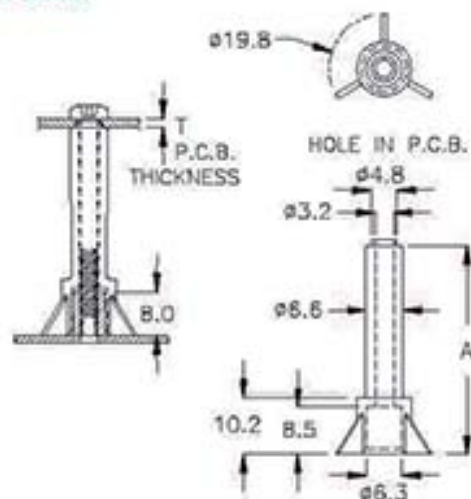
3-137-3



P.C.板間隔柱 SPACER SUPPORT

MATERIAL: NYLON 66(UL)
FLAME CLASS: 94V-2
COLOR: NATURAL

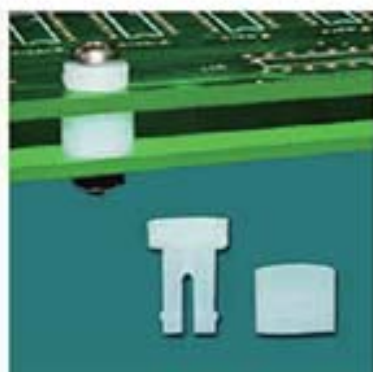
PART NO	A	T P.C.B. THICKNESS	PACKAGE
ADGF-38C	37.5	0.8~1.0	200



P.C.板間隔柱 SPACER SUPPORT

PINGOOD

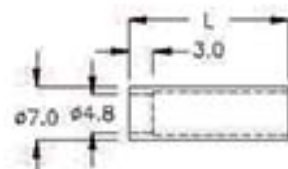
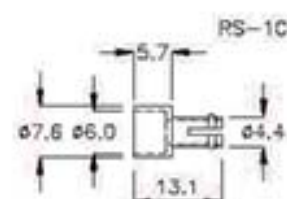
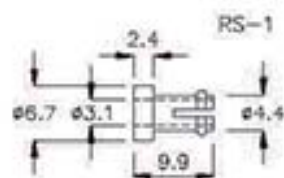
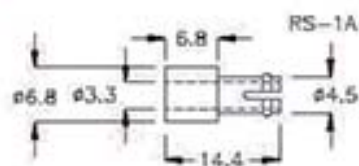
3-138-1



P.C.板間隔柱 SPACER SUPPORT

MATERIAL: NYLON 66(UL)
 FLAME CLASS: 94V-2
 COLOR: NATURAL
 SCREW: M3
 P.C.B MAX THICKNESS: 2.4mm

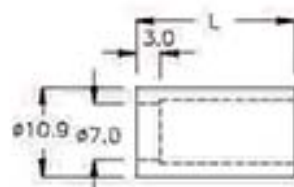
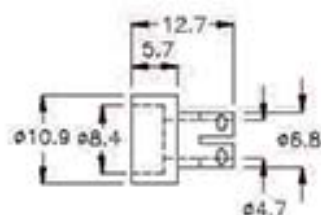
PART NO	L	HOLE IN P.C.B	HOLE IN CHASSIS	PACKAGE
RS-1	RS-57	6.0	φ5.0	φ3.5
	RS-78	7.8		
	RS-105	10.5		
RS-1A	RS-145	14.5	φ5.0	φ3.5
	RS-160	16.0		
	RS-180	18.4		
RS-1C	RS-215	21.5	φ5.0	φ3.5
	RS-280	28.2		



P.C.板間隔柱 SPACER SUPPORT

MATERIAL: ABS
 FLAME CLASS: 94HB
 COLOR: NATURAL
 SCREW: M4
 P.C.B MAX THICKNESS: 2.0mm

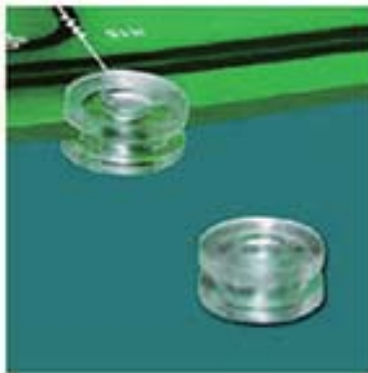
PART NO	L	HOLE IN P.C.B	HOLE IN CHASSIS	PACKAGE
RL-1	RL-6S	5.7	φ7.2	φ4.5
	RL-10	10.0		
	RL-15	15.2		
	RL-20	20.2		
	RL-25	25.2		



P.C.板間隔柱SPACER SUPPORT

PINGOOD

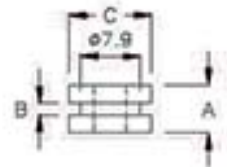
3-139-1



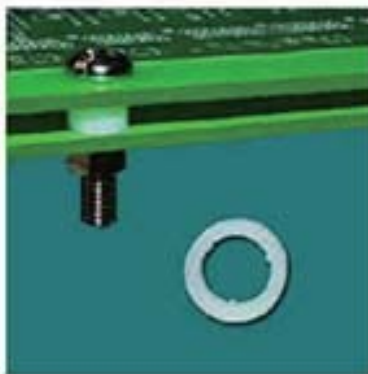
圓體間隔柱 SPACER SUPPORT

MATERIAL: PC(UL)
FLAME CLASS: 94V-2
COLOR: CLEAR

PART NO	A	B	C	PACKAGE
RS-2	5.0	1.6	ø11.0	500



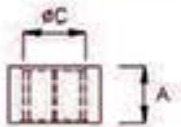
3-139-2



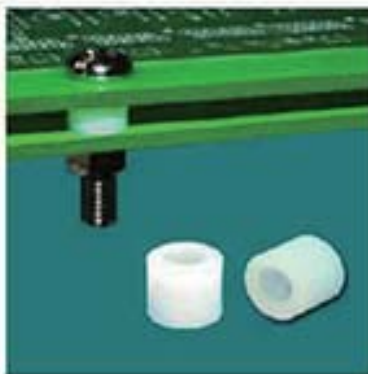
圓體間隔柱 SPACER SUPPORT

MATERIAL: NYLON 66(UL)
FLAME CLASS: 94V-2
COLOR: NATURAL

PART NO	A	B	C	PACKAGE
505-3L	5.0	8.0	5.45	2000



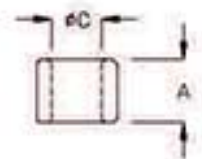
3-139-3



圓體間隔柱 SPACER SUPPORT

MATERIAL: NYLON 66(UL)
FLAME CLASS: 94V-2
COLOR: NATURAL

PART NO	A	B	C	PACKAGE
403QP	3.8	5.8	4.3	2000
6310A	10.8	12.4	6.3	1000



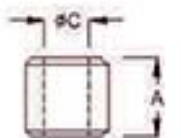
3-139-4



圓體間隔柱 SPACER SUPPORT

MATERIAL: NYLON 66(UL)
FLAME CLASS: 94V-2
COLOR: NATURAL

PART NO	A	B	C	PACKAGE
508A	9.0	9.5	5.1	1000
304K	4.0	5.0	3.15	2000



P.C.板間隔柱 SPACER SUPPORT

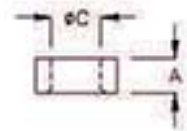
PINGOOD

3-140-1

圓體間隔柱 SPACER SUPPORT



MATERIAL: NYLON 66(UL)
FLAME CLASS: 94V-2
COLOR: NATURAL, BLACK



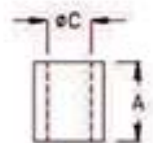
PART NO	A	B	C	PACKAGE
403C	3.5	8.0	4.9	2000

3-140-2

零件墊片 COMPONENT PAD



MATERIAL: CERAMICS
COLOR: NATURAL

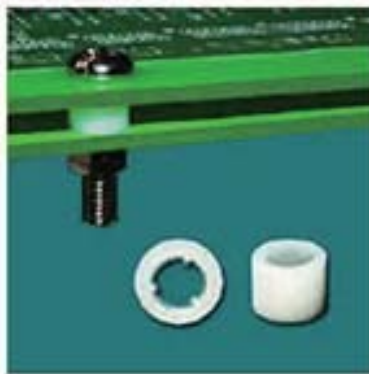


PART NO	A	B	C	PACKAGE
103C	3.0	4.5	1.8	2000
103DC	3.1	2.5	1.1	
104C	4.5	4.5	1.8	
104DC	4.5	3.8	1.0	
104MC	4.5	3.6	1.2	
105AC	4.9	9.0	4.2	
109AC	8.9	3.2	1.5	
109C	9.0	4.5	1.8	

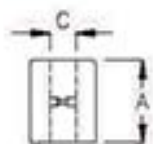
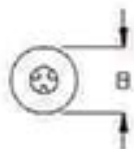
PART NO	A	B	C	PACKAGE
109DC	9.0	3.8	1.0	2000
115MC	15.4	4.1	1.9	

3-140-3

零件墊片 COMPONENT PAD



MATERIAL: NYLON 66(UL)
FLAME CLASS: 94V-2
COLOR: NATURAL

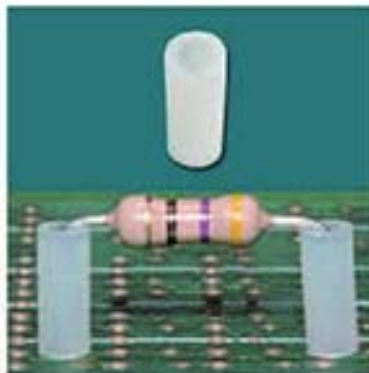


PART NO	A	B	C	PACKAGE
KWT-103	3.1	$\phi 2.5$	$\phi 1.0$	2000

P.C.板間隔柱SPACER SUPPORT

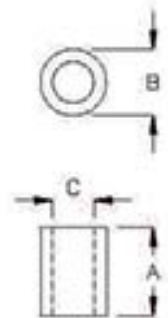
PINGOOD

3-141-1



零件墊片 COMPONENT PAD

MATERIAL: NYLON 66(UL)
 FLAME CLASS: 94V-2
 MATERIAL: PBT(UL), ABS(UL)
 FLAME CLASS: 94V-0
 COLOR: NATURAL



PART NO	MATERIAL	A	B	C	PACKAGE
101A	N66	1.1	φ3.0	φ1.7	2000
101CR	N66	1.6	φ2.2	φ0.7	
101DC	N66	1.6	φ3.2	φ0.8	
101MT	N66	1.8	φ3.2	φ1.2	
102F	N66	2.0	φ3.0	φ1.5	
102JK	N66	2.4	φ3.5	φ1.8	
102-H	PBT	2.5	φ3.2	φ1.5	
103AF	N66	3.0	φ2.5	φ1.5	
103S	N66/PBT	3.0	φ3.5	φ1.4	
103K	ABS	3.1	φ2.2	φ0.8	
103MR	N66	3.2	φ2.2	φ0.8	
103TD	N66	3.2	φ3.2	φ1.2	
103M	N66	3.5	φ4.5	φ1.6	
103	N66	3.6	φ3.5	φ1.4	
104	N66	4.2	φ4.5	φ1.4	
104M	N66	4.5	φ4.5	φ1.6	

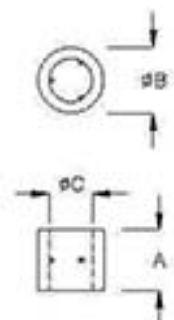
PART NO	MATERIAL	A	B	C	PACKAGE
104AD	N66	4.8	φ2.2	φ0.8	2000
104CF	N66	4.8	φ3.2	φ1.2	
104A	N66+FRP	5.0	φ4.0	φ1.4	
105A	N66	5.0	φ3.0	φ1.4	
105	N66	5.0	φ4.5	φ1.6	
105M	N66	5.5	φ4.5	φ1.6	
106	N66/PBT	6.0	φ4.4	φ1.6	
106GK	N66	6.4	φ3.2	φ1.2	
106HJ	N66	6.4	φ4.0	φ1.2	
107	N66/PBT	7.0	φ4.4	φ1.6	
108BH	N66	7.9	φ3.2	φ1.2	
108GL	N66	7.9	φ4.0	φ1.2	
108A	N66	8.0	φ3.2	φ1.6	
108	N66	8.0	φ4.5	φ1.4	
109CM	N66	9.5	φ3.2	φ1.2	
112NP	N66	12.7	φ3.2	φ1.2	

3-141-2



圓體間隔柱 SPACER SUPPORT

MATERIAL: NYLON 66(UL)
 FLAME CLASS: 94V-2
 COLOR: NATURAL



PART NO	A	B	C	USE SCREW	PACKAGE
KWT-302	2.0	5.0	3.3	M3	2000
KWT-305	5.0	5.0	3.3		
KWT-306	6.0	5.0	3.3		
KWT-308	8.0	5.0	3.3		
KWT-310	10.0	5.0	3.3		
KWT-311	11.0	5.0	3.3		
KWT-405	5.0	6.5	4.3	M4	
KWT-406	6.0	6.5	4.3		
KWT-408	8.0	6.5	4.3		
KWT-410	10.0	6.5	4.3		
KWT-412	12.0	6.5	4.3		
KWT-414	14.0	6.5	4.3		
KWT-416	16.0	6.5	4.3		

P.C.板間隔柱SPACER SUPPORT

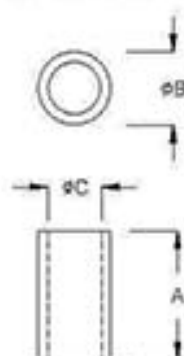
PINGOOD

3-142-1



實體間隔柱 SPACER SUPPORT

MATERIAL: NYLON 66(UL)
FLAME CLASS: 94V-2
COLOR: NATURAL



PART NO	A	B	C	PACKAGE
201	1.0	3.7	2.2	2000
201A	1.5	3.7	2.2	
201KG	1.6	2.2	0.8	
201JM	1.6	3.6	2.2	
201FN	1.6	4.2	2.7	
201C	1.8	3.7	2.2	
201D	1.9	3.0	2.0	
202	2.0	4.5	2.5	
202C	2.0	3.7	2.2	
202F	2.6	4.8	2.7	
202A	2.5	3.7	2.2	
203	3.0	4.5	2.5	
203A	3.0	3.6	2.2	
203C	3.0	3.7	2.2	
203EG	3.2	3.2	2.3	
203KJ	3.2	3.6	2.2	
203BU	3.2	4.2	2.7	
203M	3.5	4.5	2.5	
203D	3.7	4.5	2.5	
204	4.0	4.5	2.5	
204KT	4.0	4.7	2.7	
204A	4.1	3.6	2.2	
204M	4.5	4.5	2.5	
204FP	4.8	3.2	2.3	
204GN	4.8	3.6	2.2	
204NJ	4.8	4.2	2.7	
205	5.0	4.5	2.5	
205C	5.5	4.5	2.5	
206	6.0	4.5	2.5	
206BQ	6.4	3.2	2.3	
206AP	6.4	3.6	2.2	
206DN	6.4	4.2	2.7	
206GH	6.4	4.8	2.3	
206M	6.5	4.5	2.5	
206F	6.6	4.8	2.8	
207	7.0	4.8	2.3	
207A	7.0	3.7	2.2	
207C	7.5	3.7	2.3	

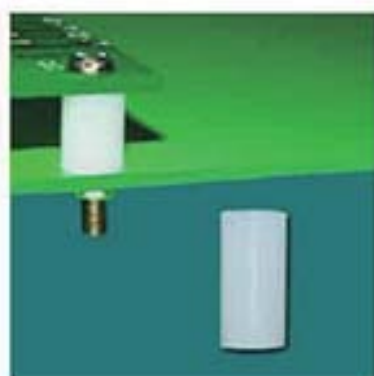
PART NO	A	B	C	PACKAGE	
208FJ	7.9	3.6	2.2	2000	
208	8.0	4.5	2.5		
208C	8.5	4.5	2.5		
209	9.0	4.5	2.5		
208AQ	9.5	3.6	2.2		
209C	9.5	4.5	2.5		
210	10.0	4.5	2.5		
211	11.0	3.7	2.2		
301PW	1.5	5.0	3.1		2000
301NL	1.6	4.8	3.2		
301BR	1.6	6.4	3.2		
301GS	1.6	6.4	3.7		
302A	2.0	6.0	3.0		
302C	2.0	6.5	3.1		
302B	2.5	5.0	3.1		
302DK	2.0	8.0	3.5		
302JY	2.5	8.0	3.2		
303	3.3	5.0	3.1		
303A	3.0	6.0	3.1		
303C	3.5	5.7	3.1		
303D	3.0	5.0	3.1		
303F	2.6	8.0	3.5		
303H	3.0	6.35	3.2		
303Q	2.8	6.35	3.2		
303DQ	3.2	4.8	3.2		
303HP	3.2	6.4	3.2		
303YF	3.2	6.4	3.7		
303RP	3.8	5.2	3.7		
303S	3.5	4.0	3.0		
304A	4.0	5.0	3.2	2000	
304	4.2	5.0	3.1		
304C	4.5	6.0	3.2		
304PR	4.8	4.8	3.2		
304HX	4.8	6.4	3.2		
304JS	4.8	6.4	3.7		
305	5.0	5.0	3.1		
305A	5.0	8.0	3.1		
305C	5.5	5.0	3.0		
305DM	5.9	5.7	3.7		

PART NO	A	B	C	PACKAGE	
306	6.1	5.0	3.1	2000	
306A	6.3	6.5	3.9		
306XF	6.4	4.8	3.2		
306KY	6.4	6.4	3.2		
306OS	6.4	6.4	3.7		
306M	6.5	5.0	3.1		
306SK	6.0	8.0	3.3		
307	7.0	5.0	3.1		
307A	7.5	5.0	3.1		
307B	7.5	3.9	3.1		
308CW	7.9	6.4	3.2		
308FR	7.9	6.4	3.7		
308LT	7.9	4.8	3.2		
308	8.1	5.0	3.1		
308C	8.4	6.5	3.9		
308M	8.5	5.0	3.1		
308A	8.7	5.0	3.1		
309A	9.0	5.0	3.1		
309	9.2	5.0	3.1		
309MS	9.5	4.8	3.2		
309PT	9.5	6.4	3.7		
309C	9.6	7.5	3.5		
310	10.1	5.0	3.1	1000	
311	11.0	5.0	3.1		
311MH	11.1	4.8	3.2		
311BN	11.1	6.4	3.2		
312A	12.0	5.0	3.2		
312	12.3	5.0	3.1		
313	13.0	5.0	3.1		
314	14.0	5.0	3.1		
315	15.0	5.0	3.1		
316	16.0	5.0	3.1		
317	17.0	5.0	3.1		
318	18.3	5.0	3.1		
319	19.0	5.0	3.1		
320	20.0	5.0	3.1		
324	24.0	5.0	3.1		
331	31.0	5.0	3.1		500
338	38.0	5.9	3.1		

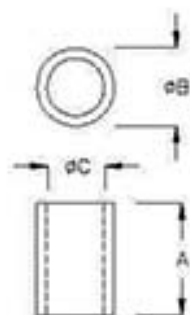
P.C.板間隔柱SPACER SUPPORT

PINGOOD

3-143-1



圓柱間隔柱 SPACER SUPPORT
MATERIAL: NYLON 66(UL), POM
FLAME CLASS: 94V-2
COLOR: NATURAL



PART NO	A	B	C	PACKAGE
401AF	1.6	6.4	4.3	2000
402	2.0	6.5	4.0	
402TK	2.5	8.0	4.0	
402A	2.5	6.5	4.0	
403	3.0	6.5	4.0	
4030G	3.2	6.4	4.3	
403A	3.5	5.9	4.5	
403RL	3.5	8.0	4.5	
404	4.0	6.5	4.0	
404C	4.0	6.5	3.5	
405	5.2	6.5	3.9	
405A	4.5	10.7	4.3	
405MQ	4.8	6.4	4.3	2000
406	6.0	6.5	4.1	
406A	6.4	6.5	4.1	
406SR	6.4	6.4	4.3	
406B	6.1	6.5	4.4	
406D	6.3	9.8	4.4	
407	7.2	6.5	4.0	
407C	7.5	6.5	4.1	
408QF	7.9	6.4	4.3	
408	8.1	6.5	4.0	
408H	8.5	6.5	4.1	
408L	8.0	7.4	4.5	
409	9.1	6.5	3.9	
409C	9.5	6.5	4.1	
410	10.0	6.5	4.1	
411	11.0	6.5	4.1	
411TP	11.1	6.4	4.3	
412	12.0	6.3	4.2	
413	13.0	6.5	4.1	
414	14.0	8.0	4.2	
415	15.0	6.5	4.1	
416A	16.8	6.3	4.2	
417	17.1	6.3	4.2	
420	20.0	8.0	4.2	
421	21.0	8.0	4.0	
422A	22.23	8.0	4.93	500

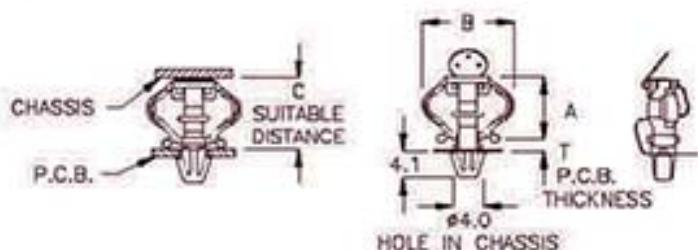
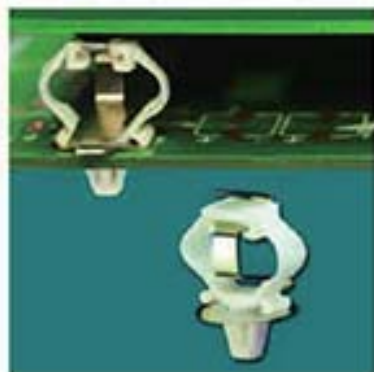
PART NO	A	B	C	PACKAGE	
425A	25.4	6.3	4.3	500	
427A	27.5	6.5	4.1		
428	28.0	6.5	4.1		
428A	28.7	6.5	4.1		
433A	33.5	8.0	4.3		
503	3.0	7.0	5.0	2000	
503A	3.2	9.5	4.9		
505	5.0	8.0	5.3		
506	6.0	7.0	5.3		
507	7.0	8.0	4.9	1000	
508	7.9	7.0	5.3		
508A	8.0	10.0	5.6		
509	9.0	7.0	5.3		
509M	9.6	8.0	5.0		
510	10.0	7.0	5.3		
510A	9.4	10.0	5.4		
516	16.0	7.0	5.3	500	
525	25.0	8.0	5.1		
527A	27.5	7.0	5.5		
530	30.0	8.0	5.1		
612	12.6	6.5	3.8		1000
614	14.2	6.5	3.7		
617	17.0	9.9	6.2		
6305	5.0	6.5	6.3		
6305A	5.5	7.3	6.3		
6305PH	5.0	11.0	6.3		
6315CX	15.0	11.0	6.3		
6305RT	5.0	13.0	6.3		
6315DK	15.0	13.0	6.3		
8507	6.9	10.5	6.5	1000	
9634C	34.0	19.0	9.5		200
51-080	8.0	8.0	5.1		
57-065	6.5	13.0	5.7		
64-072	7.2	7.6	6.4		
85-100	10.0	10.0	6.5		
70-080	8.0	10.0	7.0		
70-110	11.0	10.0	7.0		
75-130	13.0	10.5	7.5		
82-080	8.0	10.6	6.2		

P.C.板間隔柱 SPACER SUPPORT

PINGOOD

3-144-1

導電板間隔柱 CONDUCTIVE SUPPORT

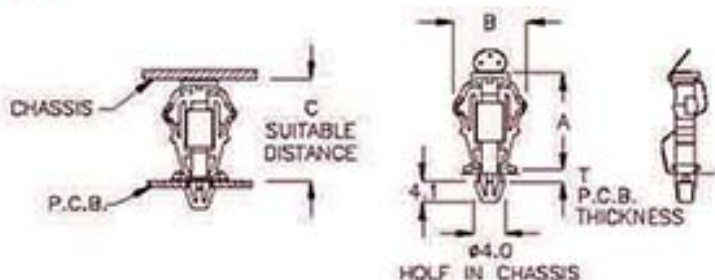
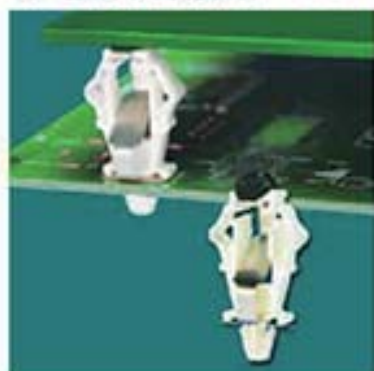


MATERIAL: NYLON 66(UL)
 FLAME CLASS: 94V-2
 COLOR: NATURAL
 MATERIAL: PHOSPHOR BRONZE
 PLATING: NICKEL

PART NO	A	B	T P.C.B. THICKNESS	C SUITABLE DISTANCE	PACKAGE
CQA-10	10.0	14.8	1.2~1.6	7.0~9.0	1000

3-144-2

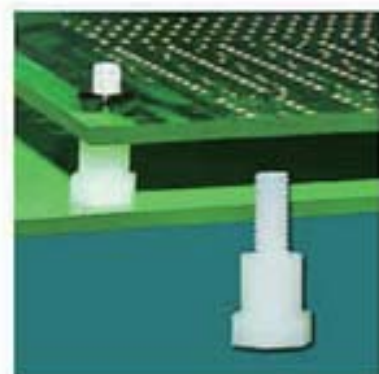
導電板間隔柱 CONDUCTIVE SUPPORT



MATERIAL: NYLON 66(UL)
 FLAME CLASS: 94V-2
 COLOR: NATURAL
 MATERIAL: PHOSPHOR BRONZE
 PLATING: NICKEL

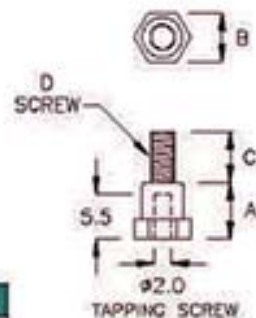
PART NO	A	B	T P.C.B. THICKNESS	C SUITABLE DISTANCE	PACKAGE
CQA-140S	14.5	13.7	1.2~1.4	13.0~14.3	1000
CQA-18K	18.45	13.7	1.2~1.4	18.0~18.3	

3-144-3



P.C.板間隔柱 SPACER SUPPORT

MATERIAL: NYLON 66(UL)
 FLAME CLASS: 94V-2
 COLOR: NATURAL
 SCREW: M2.5 TAPPING SCREW

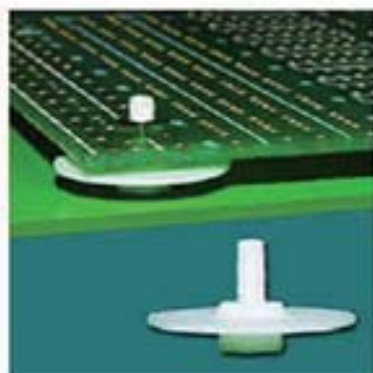


PART NO	A	B	C	D	PACKAGE
SQ-10A	7.0	6.0	6.3	M3	1000

P.C.板間隔柱 SPACER SUPPORT

PINGOOD

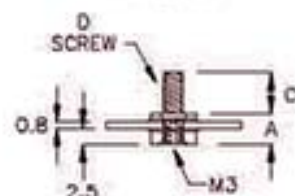
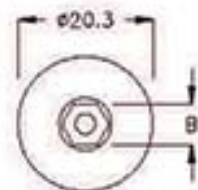
3-145-1



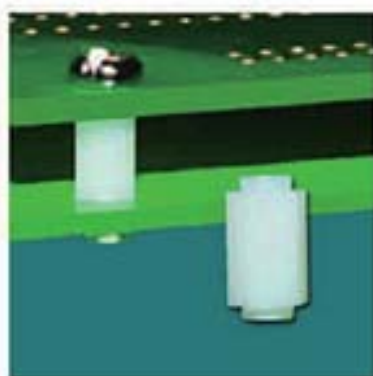
P.C.板間隔柱 SPACER SUPPORT

MATERIAL: NYLON 66(UL)
FLAME CLASS: 94V-2
COLOR: NATURAL

PART NO	A	B	C	D	PACKAGE
TAH-05	4.7	6.0	6.0	M3	500



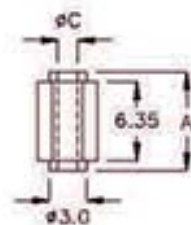
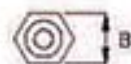
3-145-2



六角型間隔柱 SPACER SUPPORT

MATERIAL: NYLON 66(UL)
FLAME CLASS: 94V-2
COLOR: NATURAL
SCREW: M2 TAPPING SCREW

PART NO	A	B	C	PACKAGE
HHB-06D	7.95	4.15	φ1.6	1000



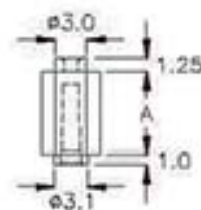
3-145-3



六角型間隔柱 SPACER SUPPORT

MATERIAL: NYLON 66(UL)
FLAME CLASS: 94V-2
COLOR: NATURAL
SCREW: M2x5.5 SCREW

PART NO	A	B	PACKAGE
HHJ-8KC	7.95	5.0	1000



3-145-4



六角型間隔柱 SPACER SUPPORT

MATERIAL: NYLON 66(UL)
FLAME CLASS: 94V-2
COLOR: NATURAL
SCREW: M3 TAPPING SCREW

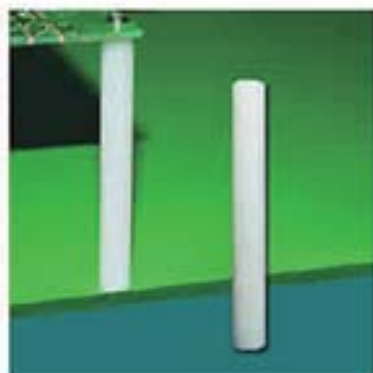
PART NO	A	B	C	PACKAGE
HWH-04	4.0	5.5	2.5	1000
HWH-10	10.0	4.5	2.45	



P.C.板間隔柱 SPACER SUPPORT

PINGOOD

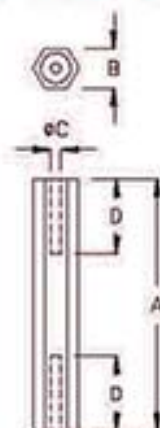
3-146-1



六角型間隔柱 SPACER SUPPORT

MATERIAL: NYLON 66(UL)
FLAME CLASS: 94V-2
COLOR: NATURAL
SCREW: M3 TAPPING SCREW

PART NO	A	B	C	D	PACKAGE
H-57	57.8	5.9	2.5	10.0	200
H-65	65.5	5.6	2.6	14.9	
H-105	105	9.9	2.6	14.6	100
H-140	139.5	9.9	2.6	14.6	



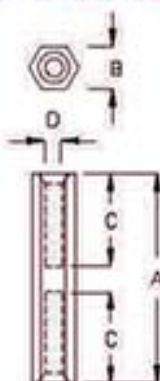
3-146-2



六角型間隔柱 SPACER SUPPORT

MATERIAL: NYLON 66(UL)
FLAME CLASS: 94V-2
COLOR: NATURAL
SCREW: M3 TAPPING SCREW

PART NO	A	B	C	D	PACKAGE
H-32	32.0	5.5	14.0	ø2.6	500
H-49	49.0	5.5	15.0		200

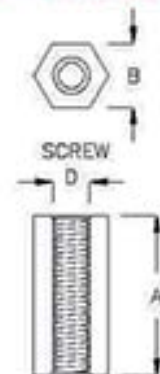


3-146-3



六角型間隔柱 SPACER SUPPORT

MATERIAL: NYLON 66(UL)
FLAME CLASS: 94V-2
COLOR: NATURAL
OPTIONAL MATERIAL:
POM (94HB FLAMMABILITY)



PART NO	A	B	D	PACKAGE
H2M-6	6.0	4.9	M2.6	1000
H-5KC	5.0	5.4	M3	2000
H-6	6.35	5.5	M3	1000
H-7	7.0	5.5		
H-8	8.0	5.5		
H-9	9.0	5.5		
H-10S	10.0	5.5		
H-10	10.5	5.5		
H-11	11.0	5.5		
H-12	12.0	5.5		
H-13	12.8	5.5		
H-14	14.0	5.5		

PART NO	A	B	D	PACKAGE
H-15	15.0	5.5	M3	1000
H-16	16.0	5.5		
H-17	17.0	5.5		
H-18	18.2	5.5		
H-20	20.1	5.5		
H-22	22.0	5.5	M3	500
H-24	24.0	5.5		
H-25	25.0	5.5		
H-26	26.3	5.5		
H-28	27.8	5.5		
H-30	30.0	5.5		
H4-36	36.0	8.0	M4	

P.C.板間隔柱SPACER SUPPORT

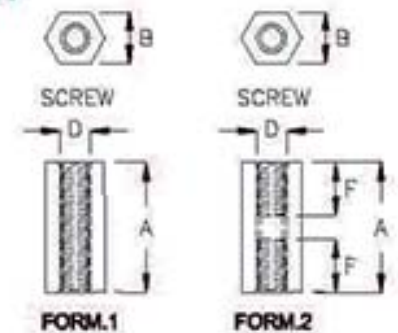
PINGOOD

3-147-1



六角型間隔柱 SPACER SUPPORT

MATERIAL: NYLON 66(UL)
FLAME CLASS: 94V-2
COLOR: NATURAL



PART NO	A	B	D	F	FORM	PACKAGE
HU4-408A	6.35	4.75	#4-40		1	1000
HU4-409A	9.53	4.75	#4-40		1	
HU4-412A	12.7	4.75	#4-40		1	
HU4-415A	15.9	4.75	#4-40	6.0	2	
HU4-419A	19.05	4.75	#4-40	8.0	2	
HU4-608C	6.35	6.35	#4-40		1	
HU4-609C	9.53	6.35	#4-40		1	
★HU4-611C	11.1	6.35	#4-40		1	
HU4-612C	12.7	6.35	#4-40		1	
HU4-615C	15.9	6.35	#4-40	6.0	2	
HU4-619C	19.05	6.35	#4-40	8.0	2	
HU4-625C	25.4	6.35	#4-40	8.0	2	

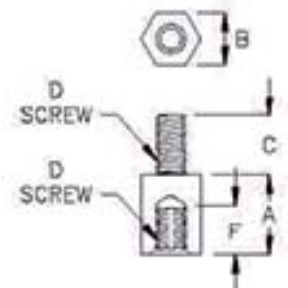
PART NO	A	B	D	F	FORM	PACKAGE	
HU6-408D	6.35	4.75	#6-32		1	1000	
HU6-409D	9.53	4.75	#6-32		1		
HU6-412D	12.7	4.75	#6-32		1		
HU6-415D	15.9	4.75	#6-32	6.0	2		
HU6-419D	19.05	4.75	#6-32	8.0	2		
HU6-608H	6.35	6.35	#6-32		1		
HU6-609H	9.53	6.35	#6-32		1		
HU6-612H	12.7	6.35	#6-32		1		
HU6-615H	15.9	6.35	#6-32	6.0	2		
HU6-619H	19.05	6.35	#6-32	8.0	2		
HU6-625H	25.4	6.35	#6-32	8.0	2		500

3-147-2



六角型間隔柱 SPACER SUPPORT

MATERIAL: NYLON 66(UL)
FLAME CLASS: 94V-2
COLOR: NATURAL



PART NO	A	B	C	D	F	PACKAGE
THU4-406C	6.4	4.8	4.8	#4-40	4.75	1000
THU4-409C	9.53					
THU4-412C	12.7					
THU4-415C	15.9					
THU4-419C	19.05	4.8	4.8	#4-40	4.75	500
THU4-425C	25.4					
THU4-606A	6.35	6.4	4.8	#4-40	4.75	1000
THU4-609A	9.53					
THU4-612A	12.7					
THU4-615A	15.9					
THU4-619A	19.05	6.4	4.8	#4-40	4.75	500
THU4-625A	25.4					

PART NO	A	B	C	D	F	PACKAGE
THU6-406H	6.35	4.8	6.4	#6-32	4.75	1000
THU6-409H	9.53					
THU6-412H	12.7					
THU6-415H	15.9					
THU6-419H	19.05	4.8	6.4	#6-32	6.35	500
THU6-425H	25.4					
THU6-606D	6.35	6.4	6.4	#6-32	4.75	1000
THU6-609D	9.5					
THU6-612D	12.7					
THU6-615D	15.9					
THU6-619D	19.05	6.4	6.4	#6-32	6.35	500
THU6-625D	25.4					

P.C.板間隔柱 SPACER SUPPORT

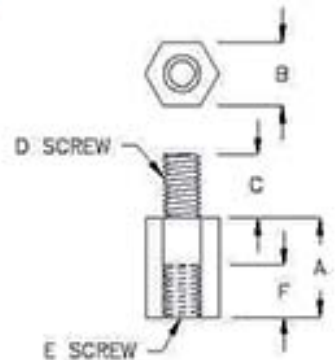
PINGOOD

3-148-1



六角型間隔柱 SPACER SUPPORT

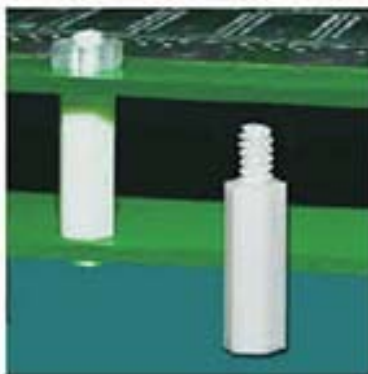
MATERIAL: NYLON 66(UL)
 FLAME CLASS: 94V-2
 COLOR: NATURAL
 D: SCREW
 OPTIONAL MATERIAL:
 POM (94HB FLAMMABILITY)



PART NO	A	B	C	D	E	F	PACKAGE
TH2F-6C	6.0	5.0	8.0	M3	M2.5	5.0	1000
TH2M-6	6.0	4.9	5.0	M2.6	M2.6	5.0	
TH-5	5.0	6.0	4.8	M3	M3	4.0	
TH-6	6.35	6.0	4.8				
TH-7	7.0	6.0	6.3	M3	M3	6.0	
TH-8	8.0	6.0	6.3				
TH-9	9.0	6.0	6.0				
TH-10	10.0	6.0	6.0	M3	M3	8.0	
TH-11	11.0	6.0	6.1				
TH-12	12.7	6.0	6.4	M3	M3	10.0	
TH-12A	12.0	4.7	6.4				
TH-14	14.0	6.0	6.0				
TH-14C	14.0	4.7	4.0				
TH-15	15.0	6.0	6.0				
TH-16	16.0	6.0	6.1				

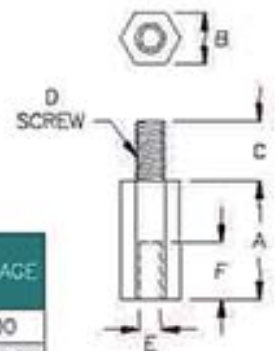
PART NO	A	B	C	D	E	F	PACKAGE
TH-17.5	17.5	6.0	6.0	M3	M3	10.0	1000
TH-17.5A	17.5	4.7	6.0				
TH-18A	18.4	6.0	6.1				
TH-20	20.0	6.0	6.1	M3	M3	10.0	500
TH-21	21.0	6.0	6.0	M3	M3	10.0	1000
TH-22	22.0	6.0	6.4	M3	M3	10.0	500
TH-25	25.0	6.0	6.5				
TH-30	30.0	6.0	6.5				
TH4-10	10.1	6.1	6.1	M4	M3	8.0	1000
TH4-13	13.0	6.0	6.0	M4	M4	10.0	
TH4-15	15.0	6.0	6.0				
TH4-19	19.0	8.0	5.5	M4	M4	8.0	500
TH4-25	25.0	6.0	6.4	M4	M4	10.0	
TH4-30	30.2	6.0	6.4				
TH4-37	37.0	8.0	5.5				
TH4-45	45.0	6.0	6.4	M4	M4	10.0	200

3-148-2



六角型間隔柱 SPACER SUPPORT

MATERIAL: NYLON 66(UL)
 FLAME CLASS: 94V-2
 COLOR: NATURAL
 USE TAPPING SCREW

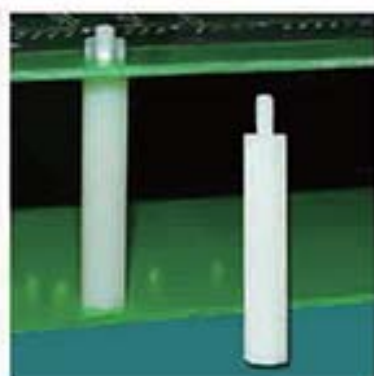


PART NO	A	B	C	D SCREW	E	F	USE TAPPING SCREW	PACKAGE
TH2-4	4.0	5.0	2.8	M2	#1.6	2.8	M2	2000
TH-15A	15.0	5.0	5.0	#6-32	#2.8	10.0	#6-32	1000

P.C.板間隔柱 SPACER SUPPORT

PINGOOD

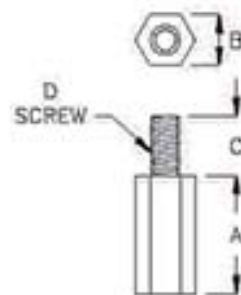
3-149-1



六角型間隔柱 SPACER SUPPORT

MATERIAL: NYLON 66(UL)
FLAME CLASS: 94V-2
COLOR: NATURAL

PART NO	A	B	C	D	PACKAGE
THK-35	35.0	6.0	6.0	M3	1000
THK-36M	36.0	6.0	6.0	M3	
THK-37M	37.0	6.0	6.0	M3	



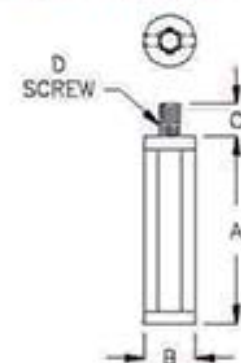
3-149-2



P.C.板間隔柱 SPACER SUPPORT

MATERIAL: NYLON 66(UL)
FLAME CLASS: 94V-2
COLOR: NATURAL

PART NO	A	B	C	D	PACKAGE
THB-29	29.2	ø8.0	5.0	#6-32	1000



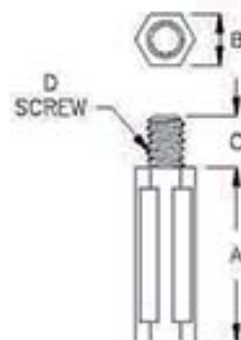
3-149-3



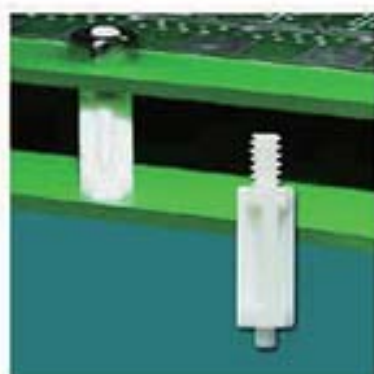
六角型間隔柱 SPACER SUPPORT

MATERIAL: NYLON 66(UL)
FLAME CLASS: 94V-2
COLOR: NATURAL

PART NO	A	B	C	D	PACKAGE
THM-17	17.0	5.0	5.0	#6-32	1000



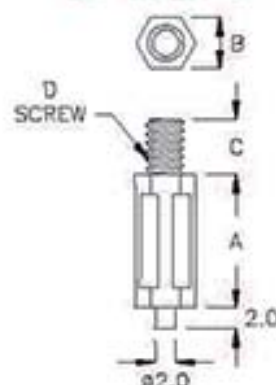
3-149-4



六角型間隔柱 SPACER SUPPORT

MATERIAL: NYLON 66(UL)
FLAME CLASS: 94V-2
COLOR: NATURAL

PART NO	A	B	C	D	PACKAGE
THC-13	13.0	5.0	5.0	#6-32	2000



P.C.板間隔柱SPACER SUPPORT

PINGOOD

3-150-1

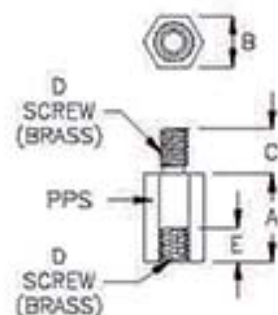


六角型間隔柱 SPACER SUPPORT

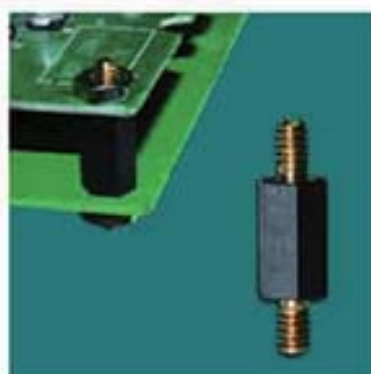
MATERIAL: PPS(UL)
FLAME CLASS: 94V-0
COLOR: BLACK
MATERIAL: BRASS

NEW

PART NO	A	B	C	D	E	PACKAGE
★ THU6-712F	12.0	7.0	6.0	#6-32	4.5	500



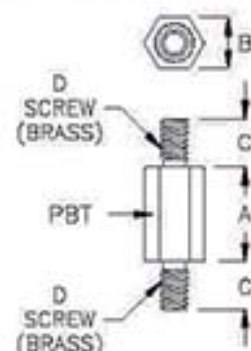
3-150-2



六角型間隔柱 SPACER SUPPORT

MATERIAL: PBT(UL)
FLAME CLASS: 94V-0
COLOR: BLACK
MATERIAL: BRASS

PART NO	A	B	C	D	PACKAGE
THT-6U12	12.0	6.5	6.0	#6-32	500



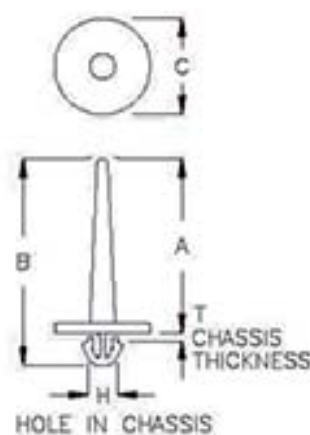
3-150-3



間隔柱 SPACER SUPPORT

MATERIAL: PC
FLAME CLASS: 94V-0
COLOR: WHITE

PART NO	A	B	C	H HOLE IN CHASSIS	T CHASSIS THICKNESS	PACKAGE
CBD-28AP	28.5	32.05	φ10.0	φ3.8	0.6~0.8	500
CBD-28PQ	28.8	32.6	φ10.0	φ3.8	0.9~1.0	
CBD-29M	29.5	33.05	φ10.0	φ3.8	0.6~0.8	
CBD-31MA	31.5	35.05	φ10.0	φ3.8	0.6~0.8	



P.C.板間隔柱SPACER SUPPORT

PINGOOD

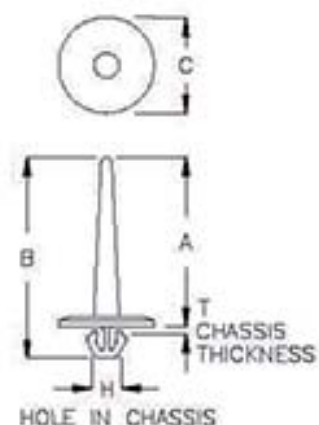
3-151-1



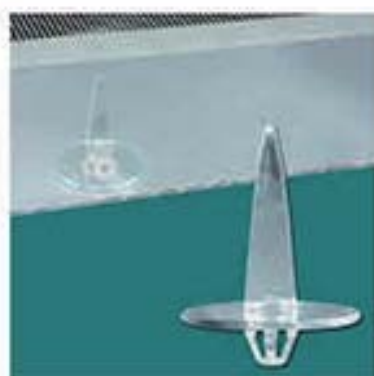
間隔柱 SPACER SUPPORT

MATERIAL: PC
FLAME CLASS: 94V-0
COLOR: WHITE

PART NO	A	B	C	H HOLE IN CHASSIS	T CHASSIS THICKNESS	PACKAGE
CBD-25A	25.4	29.9	φ13.3	φ4.5	0.6~0.8	500
CBD-27F	27.2	31.1	φ15.0	φ4.8	0.8~1.0	
CBD-33AC	33.1	36.75	φ13.4	φ4.6	0.5~0.6	
CBD-33P	33.0	36.9	φ13.3	φ4.6	0.5~0.8	



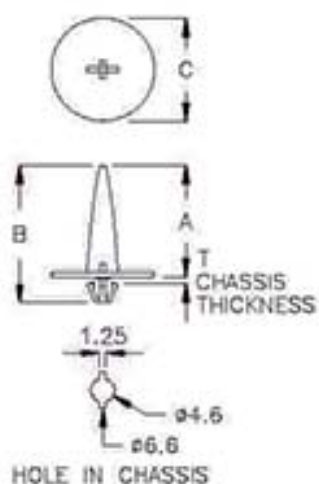
3-151-2



間隔柱 SPACER SUPPORT

MATERIAL: PC
FLAME CLASS: 94V-0
COLOR: CLEAR

PART NO	A	B	C	T CHASSIS THICKNESS	PACKAGE
KFD-21A	21.75	26.65	φ20.0	0.6	500



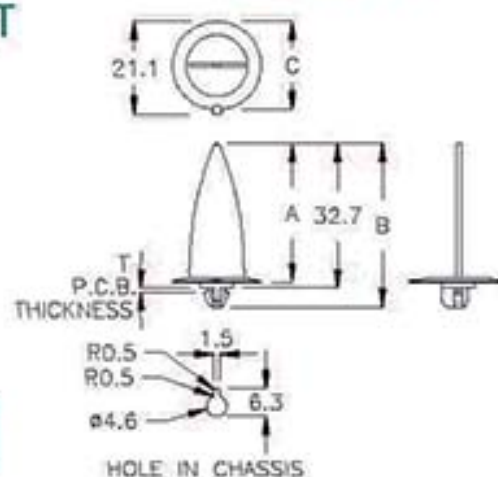
3-151-3



間隔柱 SPACER SUPPORT

MATERIAL: PC
FLAME CLASS: 94V-2
COLOR: CLEAR

PART NO	A	B	C	T CHASSIS THICKNESS	PACKAGE
KFL-31FD	31.4	37.0	φ20.0	0.6~0.8	500



P.C.板間隔柱SPACER SUPPORT

PINGOOD

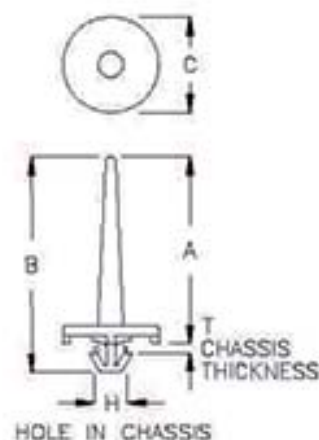
3-152-1



間隔柱 SPACER SUPPORT

MATERIAL: PC
FLAME CLASS: 94V-0
COLOR: WHITE

PART NO	A	B	C	H HOLE IN CHASSIS	T CHASSIS THICKNESS	PACKAGE
CBL-42CY	42.6	47.1	φ15.0	φ5.0	1.2~1.3	500



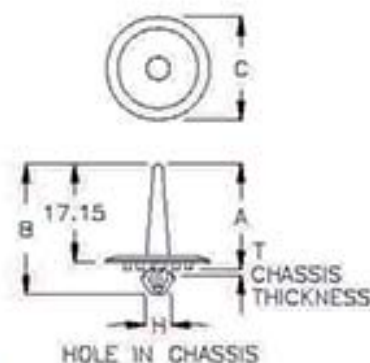
3-152-2



間隔柱 SPACER SUPPORT

MATERIAL: PC
FLAME CLASS: 94V-0
COLOR: WHITE

PART NO	A	B	C	H HOLE IN CHASSIS	T CHASSIS THICKNESS	PACKAGE
CBLA-18JL	18.5	22.8	φ18.0	φ4.6	0.8	500



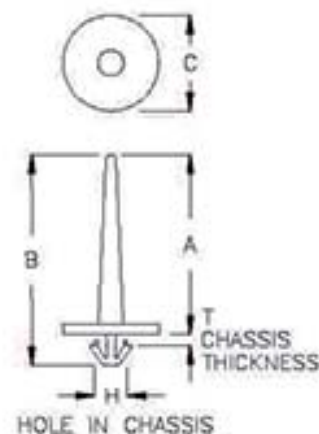
3-152-3



間隔柱 SPACER SUPPORT

MATERIAL: PC
FLAME CLASS: 94V-0
COLOR: WHITE

PART NO	A	B	C	H HOLE IN CHASSIS	T CHASSIS THICKNESS	PACKAGE
CBL-42MK	40.0	44.1	φ15.0	φ5.2	1.0~1.3	500



P.C.板間隔柱SPACER SUPPORT

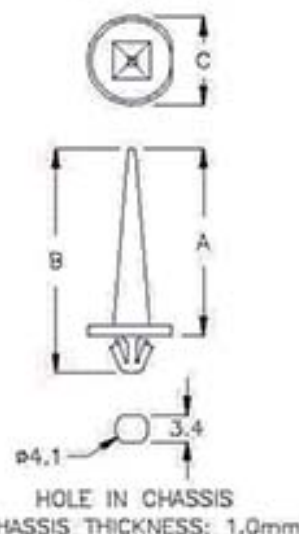
PINGOOD

3-153-1



間隔柱 SPACER SUPPORT

PART NO	MATERIAL	COLOR	A	B	C	PACKAGE
FXA-30Y	PC V0	WHITE	30.5	35.1	φ11.0	500
FXA-35PC	PC V2	CLEAR	35.8	40.4	φ11.0	
FXA-39A	PC V2	CLEAR	39.4	φ11.0		



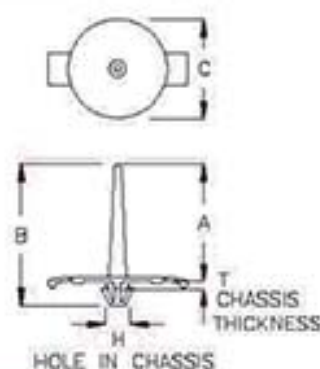
3-153-2



間隔柱 SPACER SUPPORT

MATERIAL: PC
FLAME CLASS: 94V-0
COLOR: WHITE

PART NO	A	B	C	H HOLE IN CHASSIS	T CHASSIS THICKNESS	PACKAGE
SUP-23A	24.0	28.9	φ20.0	φ5.0	0.6~0.8	500
SUP-34D	34.0	38.9	φ20.0	φ5.0	0.6~0.8	



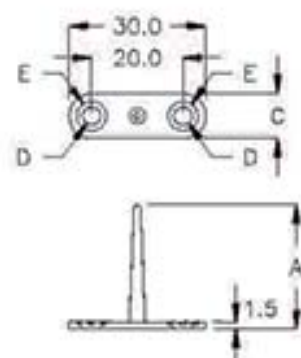
3-153-3



間隔柱 SPACER SUPPORT

MATERIAL: PC
FLAME CLASS: 94V-0
COLOR: WHITE

PART NO	A	C	D	E	PACKAGE
FJW-18PO	18.8	10.0	φ4.0	φ6.5	500
FJW-25T	25.2	10.0	φ4.0	φ6.5	
FJW-27AK	27.2	10.0	φ4.0	φ6.5	
FJW-27HM	27.2	10.0	φ4.3	φ6.5	



P.C.板間隔柱SPACER SUPPORT

PINGOOD

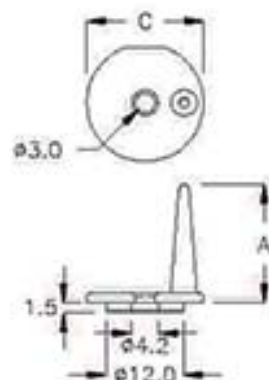
3-154-1



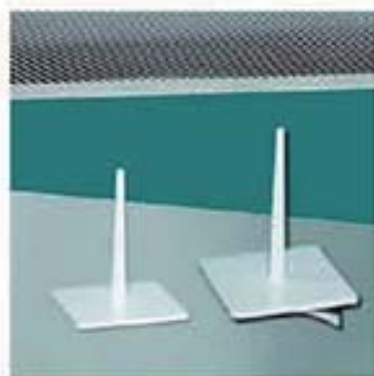
間隔柱 SPACER SUPPORT

MATERIAL: PC
FLAME CLASS: 94V-0
COLOR: WHITE

PART NO	A	C	PACKAGE
CBPA-18C	18.2	φ18.0	200



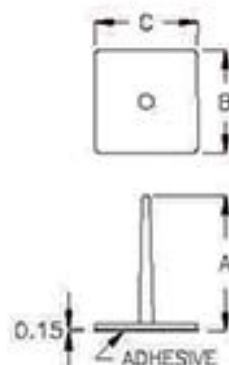
3-154-2



間隔柱 SPACER SUPPORT

MATERIAL: PC(UL)
FLAME CLASS: 94V-0
COLOR: WHITE
ADHESIVE TYPE: 3M

PART NO	A	B	C	PACKAGE
FZA-26FD	26.15	20.0	20.0	500



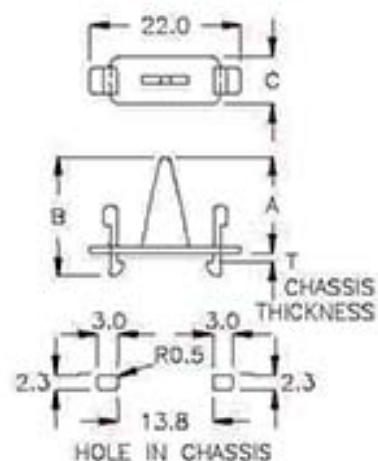
3-154-3



間隔柱 SPACER SUPPORT

MATERIAL: PC(UL)
FLAME CLASS: 94V-2
COLOR: CLEAR

PART NO	A	B	C	T CHASSIS THICKNESS	PACKAGE
DCRJ-14MK	14.0	17.4	7.0	1.2	500



P.C.板間隔柱SPACER SUPPORT

PINGOOD

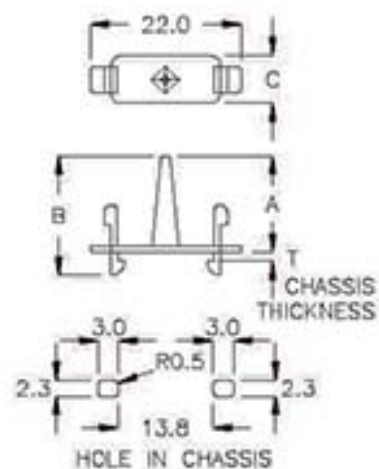
3-155-1



間隔柱 SPACER SUPPORT

MATERIAL: PC(UL)
FLAME CLASS: 94V-0
COLOR: WHITE

PART NO	A	B	C	T CHASSIS THICKNESS	PACKAGE
DCR-14H	14.0	17.4	7.0	1.0~1.2	500



3-155-2

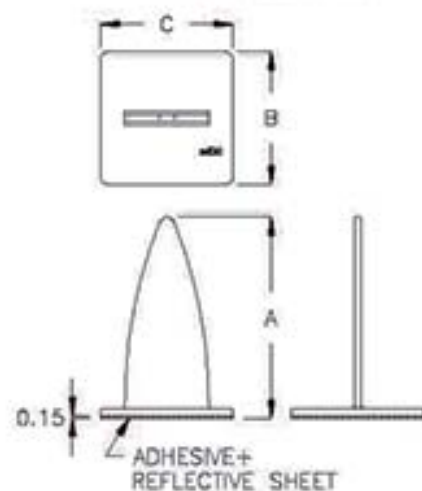


間隔柱 SPACER SUPPORT

MATERIAL: PC(UL)
FLAME CLASS: 94V-2
COLOR: CLEAR
ADHESIVE TAPE: GENERAL

NEW

PART NO	A	B	C	PACKAGE
★ FJH-30	30.15	20.0	20.0	500



3-155-3

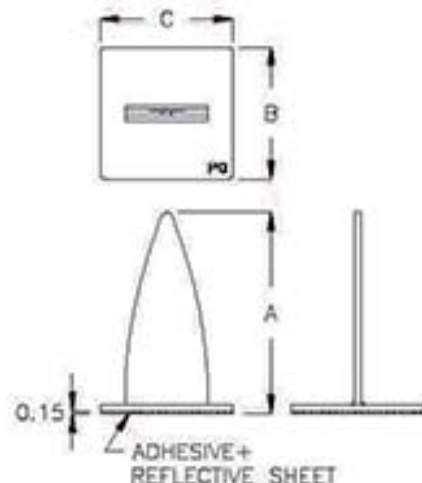


間隔柱 SPACER SUPPORT

MATERIAL: PC(UL)
FLAME CLASS: 94V-2
COLOR: CLEAR
ADHESIVE TAPE: GENERAL

NEW

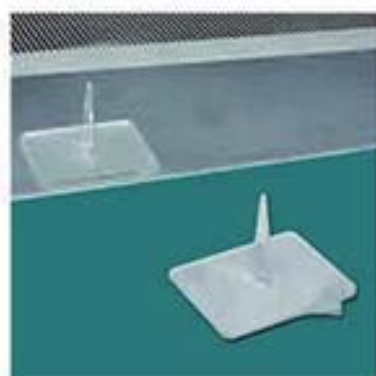
PART NO	A	B	C	PACKAGE
★ FJH-33M	33.72	20.0	20.0	500



P.C.板間隔柱SPACER SUPPORT

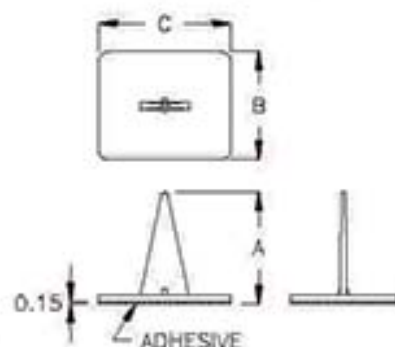
PINGOOD

3-156-1



間隔柱 SPACER SUPPORT

MATERIAL: PC(UL)
COLOR: CLEAR
ADHESIVE TYPE: 3M



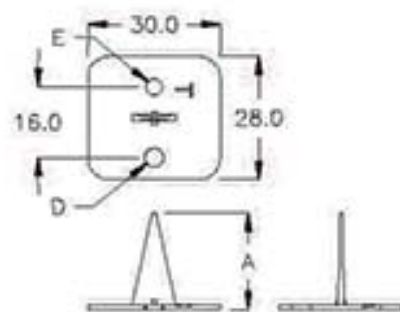
PART NO	A	B	C	FLAME CLASS	PACKAGE
FJH-19KT	19.9	22.0	27.0	94V-2	500
FJH-20MA	20.7	30.0	25.0	94V-0	
FJH-21DP	21.85	20.0	20.0	94V-2	
FJH-21GK	21.65	22.0	27.0	94V-2	
FJH-21MD	21.65	22.0	27.0	94V-2	

3-156-2



間隔柱 SPACER SUPPORT

MATERIAL: PC(UL)
FLAME CLASS: 94V-2
COLOR: CLEAR



此產品亦可貼背膠

OPTIONAL WITH ADHESIVE TAPE
ON BASE OF WIRE CLAMP

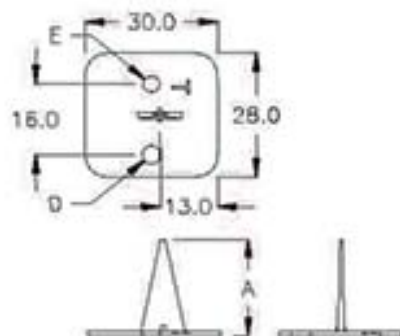
PART NO	A	D	E	PACKAGE
FMY-22C	22.0	ø4.2	ø3.7	500

3-156-3



間隔柱 SPACER SUPPORT

MATERIAL: PC(UL)
FLAME CLASS: 94V-2
COLOR: CLEAR



此產品亦可貼背膠

OPTIONAL WITH ADHESIVE TAPE
ON BASE OF WIRE CLAMP

PART NO	A	D	E	PACKAGE
FMY-21TC	21.5	ø4.2	ø3.7	200
FMY-22KP	22.0	ø4.2	ø3.7	

P.C.板間隔柱SPACER SUPPORT

PINGOOD

3-157-1

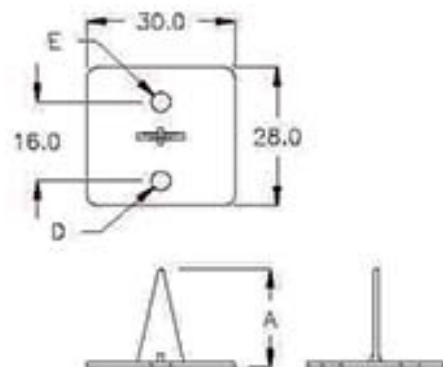


間隔柱 SPACER SUPPORT

MATERIAL: PC
FLAME CLASS: 94V-2
COLOR: CLEAR

此產品亦可貼背膠

OPTIONAL WITH ADHESIVE TAPE
ON BASE OF WIRE CLAMP



PART NO	A	D	E	PACKAGE
FMG-19LH	19.9	φ5.5	φ3.9	500

3-157-2

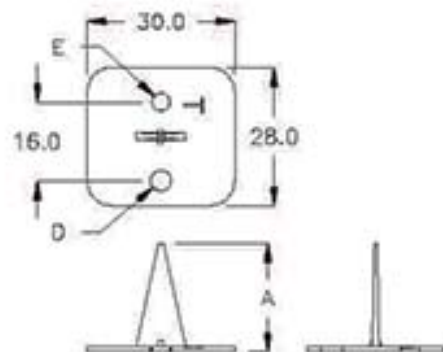


間隔柱 SPACER SUPPORT

MATERIAL: PC
FLAME CLASS: 94V-2
COLOR: CLEAR

此產品亦可貼背膠

OPTIONAL WITH ADHESIVE TAPE
ON BASE OF WIRE CLAMP



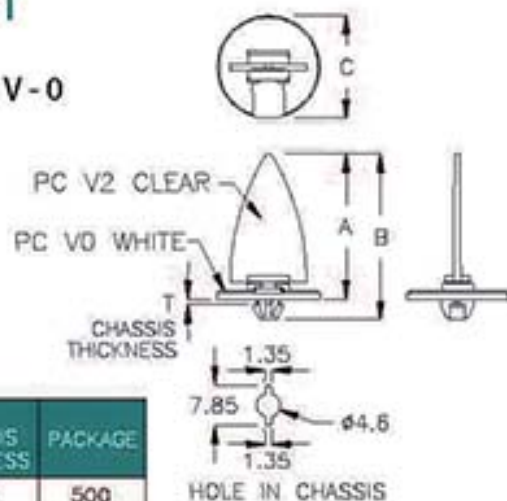
PART NO	A	D	E	PACKAGE
FMQ-21MC	21.5	φ4.2	φ3.5	500

3-157-3



間隔柱 SPACER SUPPORT

MATERIAL: PC
FLAME CLASS: 94V-2, 94V-0
COLOR: CLEAR, WHITE



PART NO	A	B	C	T CHASSIS THICKNESS	PACKAGE
KFDX-28M	28.3	32.4	φ20.0	0.8	500



LED 套 ▶
LED HOLDER



LED 座 ▶
LED HOUSING

LED 套, LED 座 LED HOLDER, LED HOUSING

PINGOOD

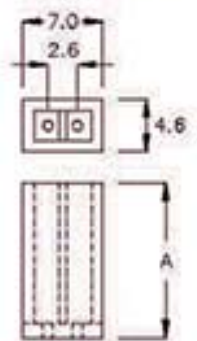
4-3-1



LED 套 LED HOLDER

MATERIAL: NYLON 66(UL)
FLAME CLASS: 94V-2
COLOR: NATURAL

FOR QUADRATE 2PIN LED		
PART NO	A	PACKAGE
LED-13.5	13.5	1000



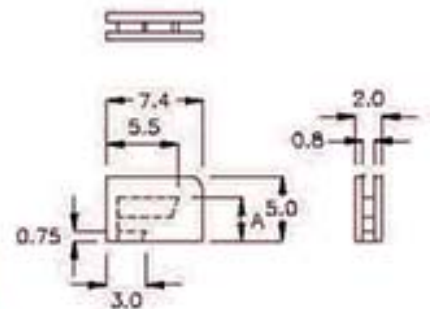
4-3-2



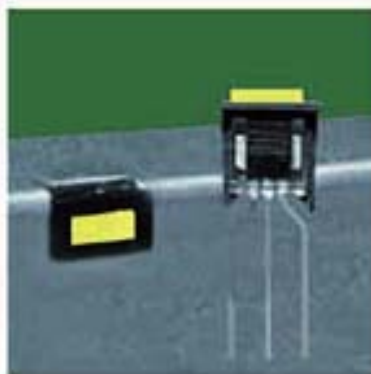
LED 套 LED HOLDER

MATERIAL: NYLON 66(UL)
FLAME CLASS: 94V-2
COLOR: BLACK

FOR QUADRATE 2PIN LED		
PART NO	A	PACKAGE
LED-3	3.3	2000



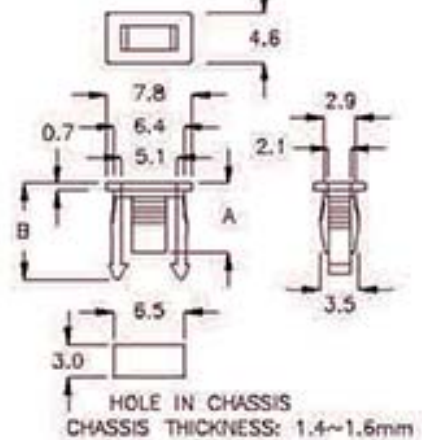
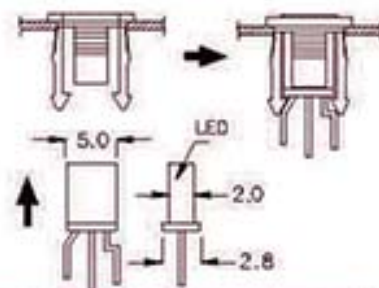
4-3-3



LED 座 LED HOUSING

MATERIAL: NYLON 66(UL)
FLAME CLASS: 94V-2
COLOR: BLACK

FOR QUADRATE 2PIN ,3PIN LED			
PART NO	A	B	PACKAGE
SLED-1	5.2	7.8	2000
SLED-2M	6.2	8.6	



4-3-4

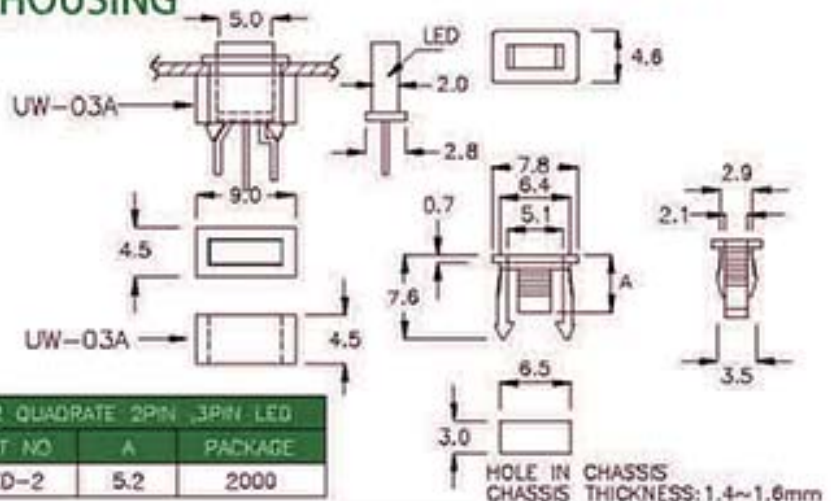


LED 座 LED HOUSING

MATERIAL: NYLON 66(UL)
FLAME CLASS: 94V-2
COLOR: BLACK

SLED-2 ALSO CAN BE USED WITH UW-03A

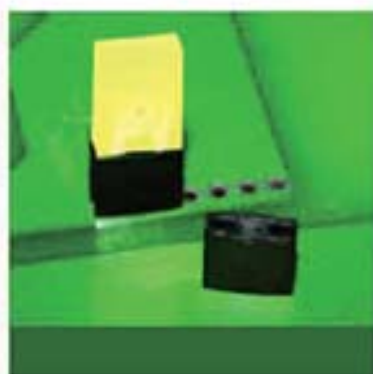
FOR QUADRATE 2PIN ,3PIN LED		
PART NO	A	PACKAGE
SLED-2	5.2	2000



LED 套, LED 座 LED HOLDER, LED HOUSING

PINGOOD

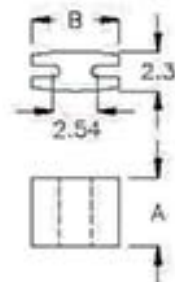
4-4-1



LED 套 LED HOLDER

MATERIAL: NYLON 66(UL)
FLAME CLASS: 94V-2
COLOR: NATURAL

FOR QUADRATE 2PIN LED				
PART NO	A	B	PACKAGE	
EDH-04	4.0	5.1	2000	
EDH-4A	4.5	5.1	2000	
★ EDH-9CF	9.5	5.1	1000	



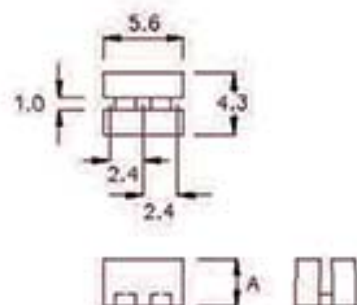
4-4-2



LED 套 LED HOLDER

MATERIAL: NYLON 66(UL)
FLAME CLASS: 94V-2
COLOR: NATURAL

FOR QUADRATE 3PIN LED			
PART NO	A	PACKAGE	
LED-3x3	3.2	2000	
LED3x4	4.0	2000	



4-4-3

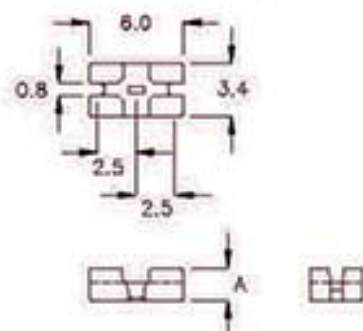


LED 套 LED HOLDER

MATERIAL: NYLON 66(UL)
FLAME CLASS: 94V-2
COLOR: BLACK

Build-in Clamp Function

FOR QUADRATE 3PIN LED			
PART NO	A	PACKAGE	
LED-3x2KQ	2.1	2000	



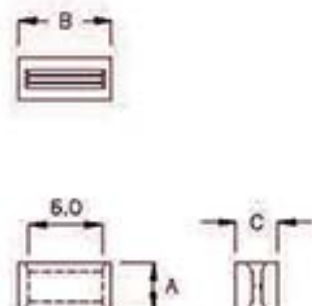
4-4-4



LED 套 LED HOLDER

MATERIAL: NYLON 66(UL)
FLAME CLASS: 94V-2
COLOR: NATURAL

FOR QUADRATE 3PIN LED				
PART NO	A	B	C	PACKAGE
QLG-4S	3.8	7.6	3.5	2000



LED 套, LED 座 LED HOLDER, LED HOUSING

PINGOOD

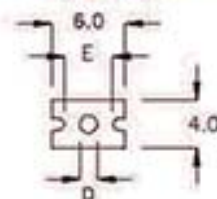
4-5-1



LED 套 LED HOLDER

MATERIAL: NYLON 66(UL)
FLAME CLASS: 94V-2
COLOR: NATURAL

FOR QUADRATE 3PIN LED				
PART NO	A	D	E	PACKAGE
QLE-1MH	1.5	∅1.4	3.7	2000
QLE-12C	12.0	∅1.45	3.9	1000



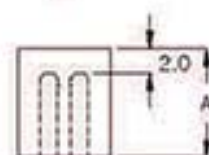
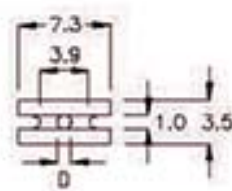
4-5-2



LED 套 LED HOLDER

MATERIAL: NYLON 66(UL)
FLAME CLASS: 94V-2
COLOR: NATURAL

FOR QUADRATE 3PIN LED			
PART NO	A	D	PACKAGE
QLE-3	3.0	∅1.1	2000
QLE-4B	3.8		
QLE-5B	5.1		
QLE-5M	5.5		
QLE-7B	7.0		
QLE-8B	8.0		
QLE-10	10.0	∅1.1	1000
QLE-12	12.0	∅1.45	



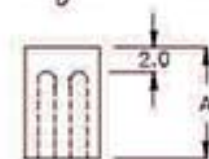
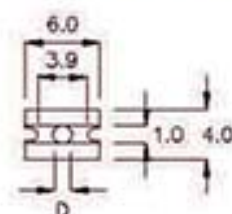
4-5-3



LED 套 LED HOLDER

MATERIAL: NYLON 66(UL)
FLAME CLASS: 94V-2
COLOR: NATURAL

FOR QUADRATE 3PIN LED			
PART NO	A	D	PACKAGE
QLE-4	4.0	∅1.1	2000
QLE-5	5.0		
QLE-6	6.0		
QLE-7	7.0		
QLE-8	8.0		
QLE-9	9.0	∅1.1	1000
QLE-10A	10.0	∅1.45	
QLE-11	11.0		
QLE-12A	12.0	∅1.1	
QLE-13	13.0		
QLE-14	14.0		
QLE-15	15.0		



4-5-4

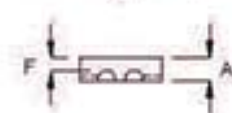
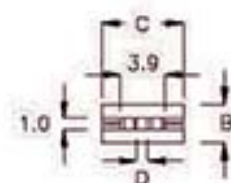


LED 套 LED HOLDER

MATERIAL: NYLON 66(UL)
FLAME CLASS: 94V-2
COLOR: NATURAL

Build-in Clamp Function

FOR QUADRATE 3PIN LED						
PART NO	A	B	C	D	F	PACKAGE
QLE-02	2.0	3.5	7.3	1.0	1.2	2000
QLE-3HA	3.0	3.0	6.5	1.0	2.2	

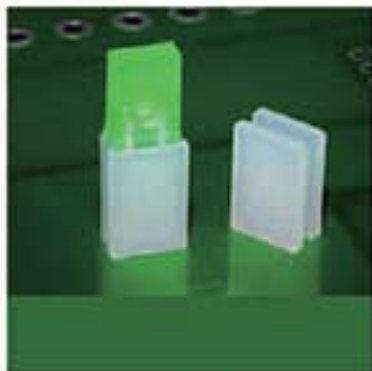


LED 套, LED 座 LED HOLDER, LED HOUSING

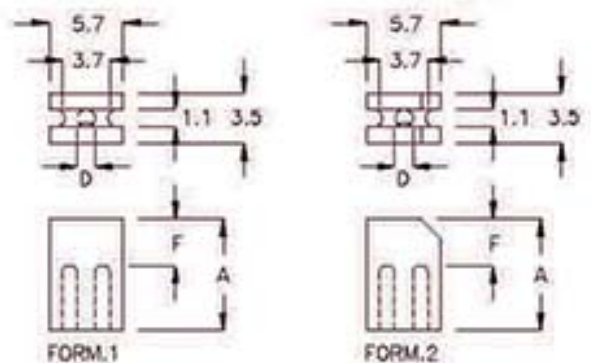
PINGOOD

4-6-1

LED 套 LED HOLDER



MATERIAL: NYLON 66(UL)
FLAME CLASS: 94V-2
COLOR: NATURAL

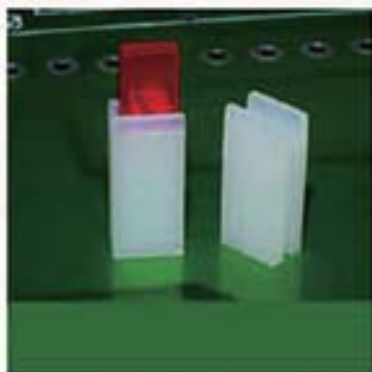


Build-in Clamp Function

FOR QUADRATE 3PIN LED					
PART NO	A	F	D	FORM	PACKAGE
QLE-BLR	8.5	3.5	φ1.1	2	1000
QLE-9AK	9.0	4.0	φ1.1	1	

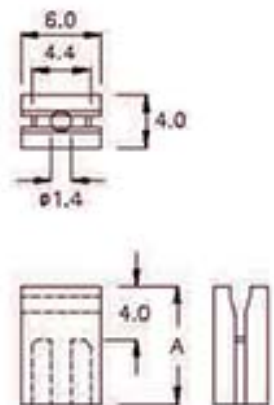
4-6-2

LED 套 LED HOLDER



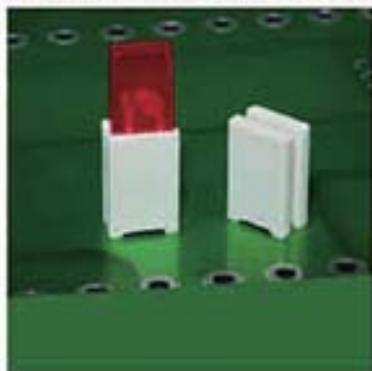
MATERIAL: NYLON 66(UL)
FLAME CLASS: 94V-2
COLOR: NATURAL

FOR QUADRATE 3PIN LED		
PART NO	A	PACKAGE
QLK-5M	5.4	2000
QLK-6	6.0	
QLK-7	6.9	
QLK-8	8.0	
QLK-9	9.0	
QLK-10	10.0	1000
QLK-11	11.0	
QLK-12	12.0	
QLK-13	13.0	
QLK-14	14.0	
QLK-15	14.9	
QLK-16	15.9	
QLK-17	17.0	
QLK-18	18.0	
QLK-18A	18.5	
QLK-19	19.0	



4-6-3

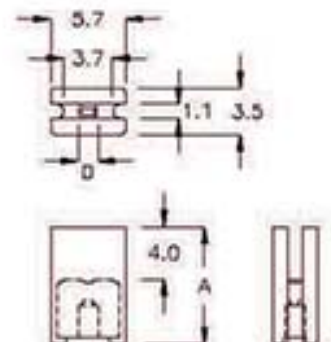
LED 套 LED HOLDER



MATERIAL: NYLON 46(UL)
FLAME CLASS: 94V-0
COLOR: NATURAL

Build-in Clamp Function

FOR QUADRATE LED 3PIN			
PART NO	A	D	PACKAGE
QLB-9NC	9.0	φ1.1	1000



LED 套, LED 座 LED HOLDER, LED HOUSING

PINGOOD

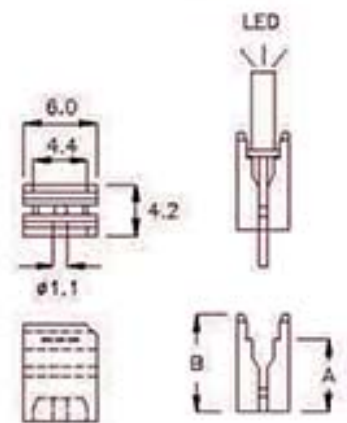
4-7-1



LED 套 LED HOLDER

MATERIAL: NYLON 66(UL)
FLAME CLASS: 94V-2
COLOR: NATURAL

FOR QUADRATE 3PIN LED			
PART NO	A	B	PACKAGE
QLQ-6	6.0	8.0	2000



4-7-2

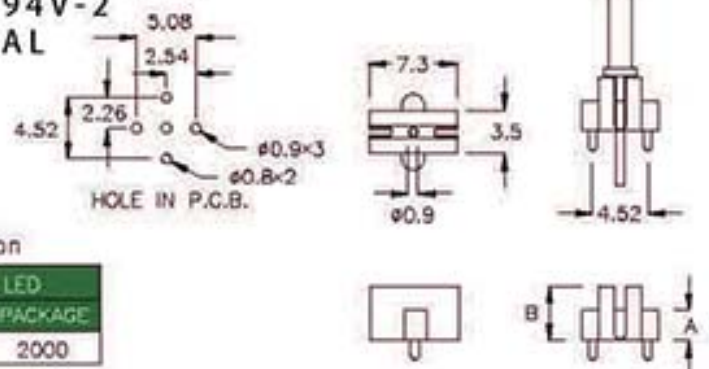


LED 套 LED HOLDER

MATERIAL: NYLON 66(UL)
FLAME CLASS: 94V-2
COLOR: NATURAL

Build-in Clamp Function

FOR QUADRATE 3PIN LED			
PART NO	A	B	PACKAGE
QLK-4T	2.5	4.5	2000



4-7-3



LED 套 LED HOLDER

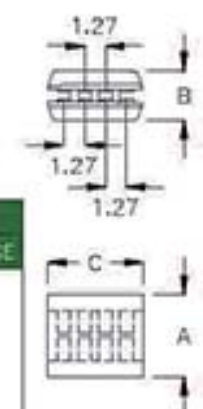
MATERIAL: NYLON 66(UL)
FLAME CLASS: 94V-2
COLOR: NATURAL, BLACK

Build-in Clamp Function

FOR $\phi 5$ 4PIN LED				
PART NO	A	B	C	PACKAGE
EDE-3A	3.5	3.0	5.8	2000
EDE-04	4.0	3.0	5.8	
EDE-4A	4.5	3.0	5.8	
EDE-05	5.0	3.0	5.8	
EDE-5A	5.5	3.0	5.8	

Build-in Clamp Function

FOR $\phi 5$ 4PIN LED				
PART NO	A	B	C	PACKAGE
EDE-06	6.0	3.0	5.8	2000
EDE-6A	6.5	3.0	5.8	
EDE-07	7.0	3.0	5.8	
EDE-7A	7.5	3.0	5.8	
EDE-08	8.0	3.0	5.8	
EDE-8A	8.5	3.0	5.8	
EDE-09	9.0	3.0	5.8	
EDE-10A	10.5	3.0	5.8	
EDE-11	11.0	3.0	5.8	
EDE-11A	11.5	3.0	5.8	
EDE-12A	12.5	3.0	5.8	
EDE-15	15.0	3.0	5.8	



LED 套, LED 座 LED HOLDER, LED HOUSING

PINGOOD

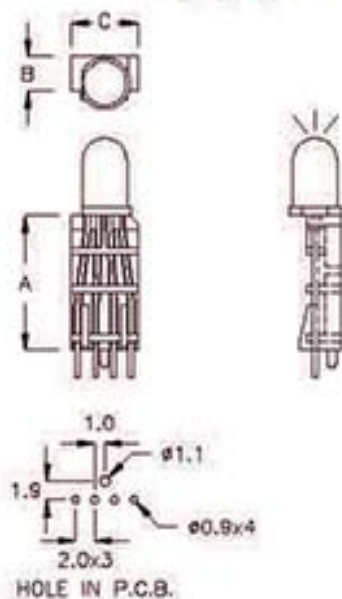
4-8-1



LED 套 LED HOLDER

MATERIAL: NYLON 66(UL)
FLAME CLASS: 94V-0
COLOR: NATURAL

FOR $\phi 5$ 4PIN LED				
PART NO	A	B	C	PACKAGE
EES-15	15.0	3.9	7.5	2000



4-8-2

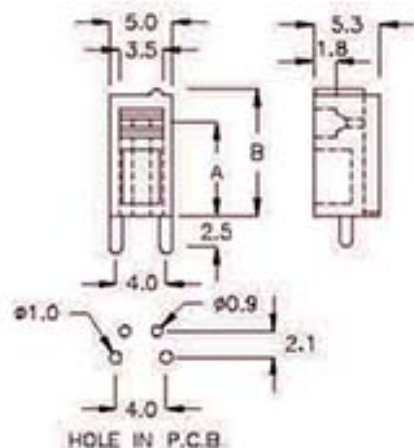


LED 座 LED HOUSING

MATERIAL: NYLON 66(UL)
FLAME CLASS: 94V-2
COLOR: NATURAL, BLACK

Build-in Clamp Function

FOR QUADRATE 2PIN LED				
PART NO	A	B	PACKAGE	
EDF-09	9.0	11.7	1000	



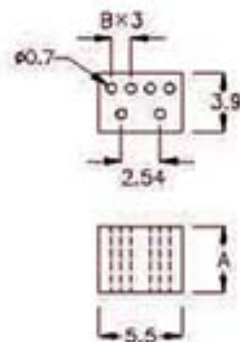
4-8-3



LED 座 LED HOUSING

MATERIAL: NYLON 66(UL)
FLAME CLASS: 94V-2
COLOR: NATURAL, BLACK

FOR QUADRATE 2PIN LED				
PART NO	A	B	PACKAGE	
EKL-01	4.4	1.27	1000	



LED 套, LED 座 LED HOLDER, LED HOUSING

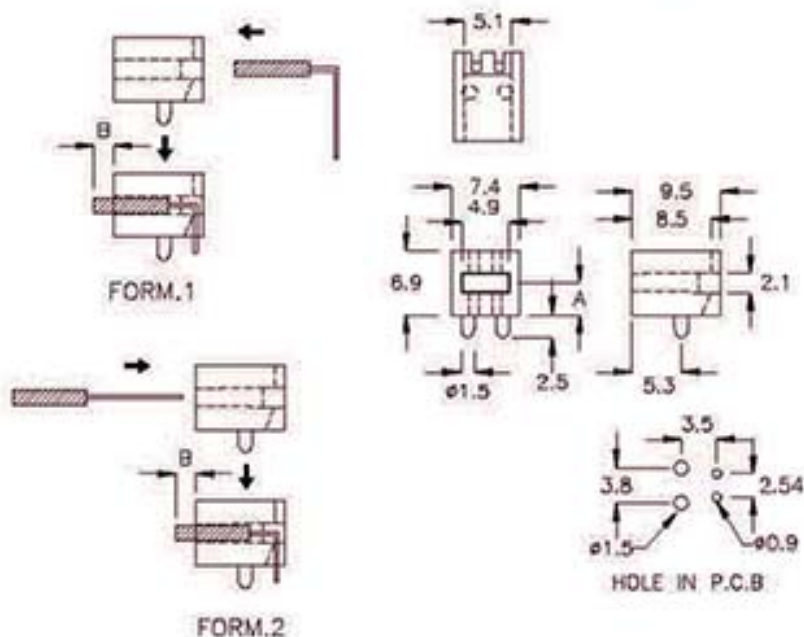
PINGOOD

4-9-1

LED 座 LED HOUSING



MATERIAL: NYLON 66(UL)
FLAME CLASS: 94V-2
COLOR: BLACK



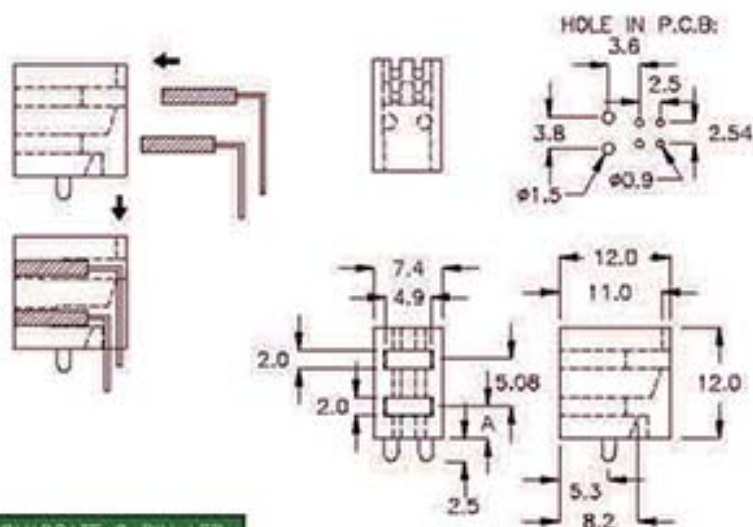
FOR QUADRATE 2PIN LED				
PART NO	A	B	FORM	PACKAGE
LEA-5	3.45	0	1	500
LEA-5A	3.45	4.3	2	
LEA-5C	3.45	2.8	2	

4-9-2

LED 座 LED HOUSING



MATERIAL: NYLON 66(UL)
FLAME CLASS: 94V-2
COLOR: BLACK



FOR QUADRATE 2 PIN LED		
PART NO	A	PACKAGE
2LEA-5	3.45	500

LED 套, LED 座 LED HOLDER, LED HOUSING

PINGOOD

4-10-1

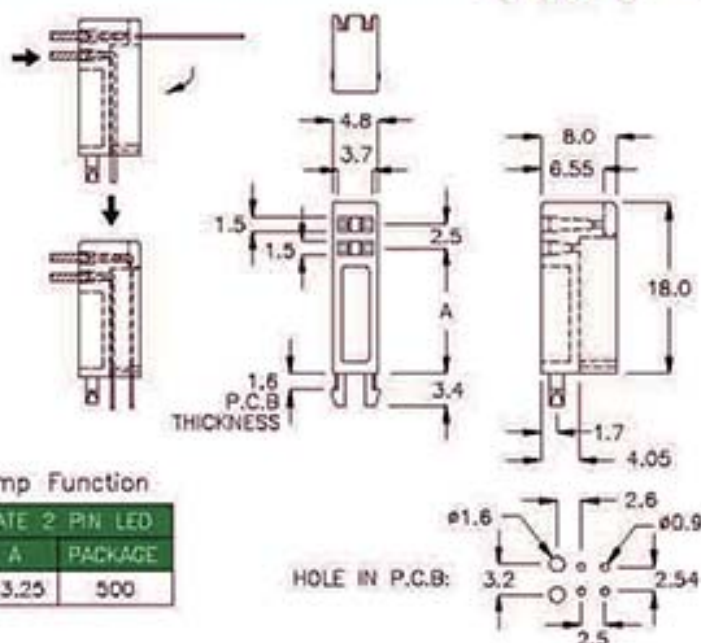
LED 座 LED HOUSING



MATERIAL: NYLON 66(UL)
FLAME CLASS: 94V-2
COLOR: NATURAL

Build-in Clamp Function

FOR QUADRATE 2 PIN LED			
PART NO	A	PACKAGE	
ZLEA-3AK	13.25	500	



4-10-2

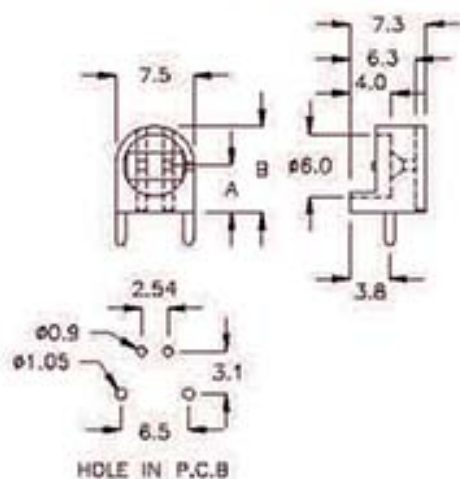
LED 座 LED HOUSING



MATERIAL: NYLON 66(UL)
FLAME CLASS: 94V-2
COLOR: BLACK

Build-in Clamp Function

FOR $\phi 5$ 2PIN LED			
PART NO	A	B	PACKAGE
EDR-4A	4.5	8.2	1000



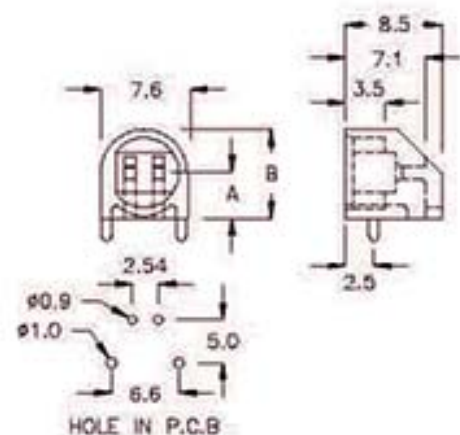
4-10-3

LED 座 LED HOUSING



MATERIAL: NYLON 66(UL)
FLAME CLASS: 94V-2
COLOR: BLACK

FOR $\phi 5$ 2PIN LED			
PART NO	A	B	PACKAGE
EEL-4TQ	4.0	7.8	1000



4-11-1

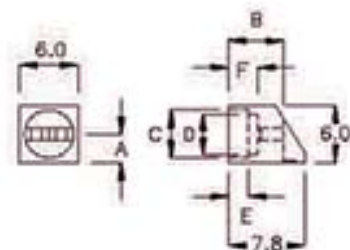


LED座 LED HOUSING

MATERIAL: NYLON 66(UL)
FLAME CLASS: 94V-2
COLOR: NATURAL, BLACK

Built-in Clamp Function

FOR $\phi 5$, $\phi 3$ 2PIN LED							
PART NO	A	B	C	D	E	F	PACKAGE
LED-2F	3.0	5.6	$\phi 5.0$	$\phi 4.1$	2.0	3.5	1000



4-11-2

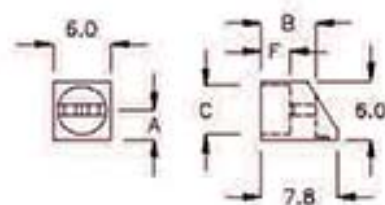


LED座 LED HOUSING

MATERIAL: NYLON 66(UL)
FLAME CLASS: 94V-2
COLOR: BLACK

Built-in Clamp Function

FOR $\phi 5$ 2PIN LED					
PART NO	A	B	C	F	PACKAGE
LED-3F	3.0	4.8	$\phi 5.0$	4.2	1000



4-11-3

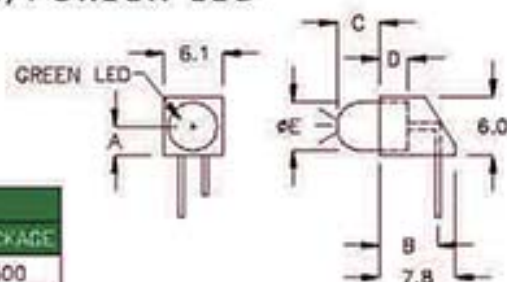


LED座 LED HOUSING

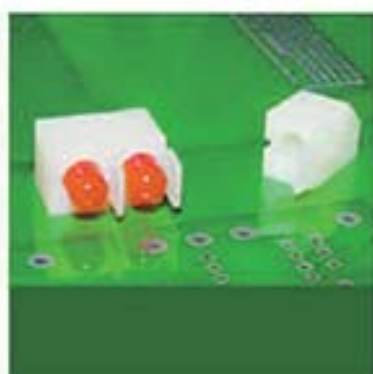
MATERIAL: NYLON 66(UL)+GREEN LED
FLAME CLASS: 94V-2
COLOR: BLACK

Built-in Clamp Function

FOR $\phi 5$ 2 PIN LED						
PART NO	A	B	C	D	E	PACKAGE
LED-3F-10	3.0	5.6	3.5	4.2	4.9	500



4-11-4

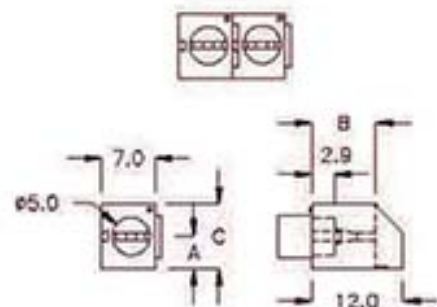


LED座 LED HOUSING

MATERIAL: NYLON 66(UL)
FLAME CLASS: 94V-2
COLOR: NATURAL

Built-in Clamp Function

FOR $\phi 5$ 2PIN LED				
PART NO	A	B	C	PACKAGE
LED-5F	4.3	8.4	8.8	1000



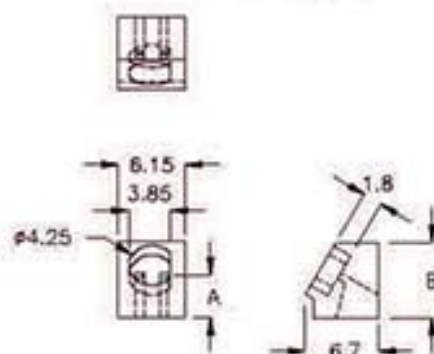
4-12-1



LED座 LED HOUSING

MATERIAL: NYLON 66(UL)
FLAME CLASS: 94V-2
COLOR: NATURAL

FOR $\phi 3$ 2PIN LED			
PART NO	A	B	PACKAGE
QLC-3F	3.9	7.0	2000



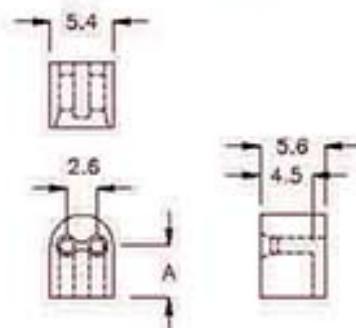
4-12-2



LED座 LED HOUSING

MATERIAL: NYLON 66(UL)
FLAME CLASS: 94V-2
COLOR: NATURAL, BLACK

FOR $\phi 5$ 2 PIN LED		
PART NO	A	PACKAGE
LEH5-4.5	4.5	1000
LEH5-6	6.0	
LEH5-7	7.0	
LEH5-8	8.0	
LEH5-9	9.0	
LEH5-10	10.0	



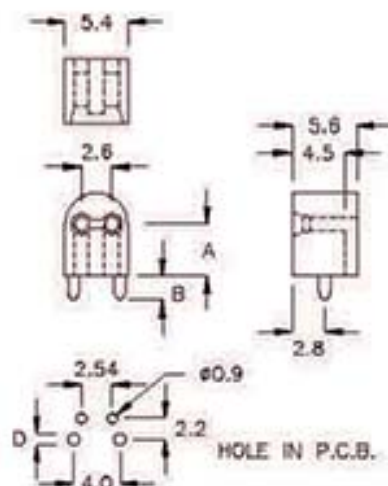
4-12-3



LED座 LED HOUSING

MATERIAL: NYLON 66(UL)
FLAME CLASS: 94V-2
COLOR: NATURAL, BLACK

FOR $\phi 5$ 2PIN LED				
PART NO	A	B	D	PACKAGE
LEH5-3T	3.0	2.5	$\phi 1.0$	1000
LEH5-4.5T	4.5	2.5	$\phi 1.1$	
LEH5-6T	6.0	2.5	$\phi 1.0$	
LEH5-7T	7.0			
LEH5-8T	8.0			
LEH5-9T	9.0	2.9	$\phi 1.0$	
LEH5-10T	10.0			
LEH5-12.5T	12.5			
LEH5-16T	16.0			



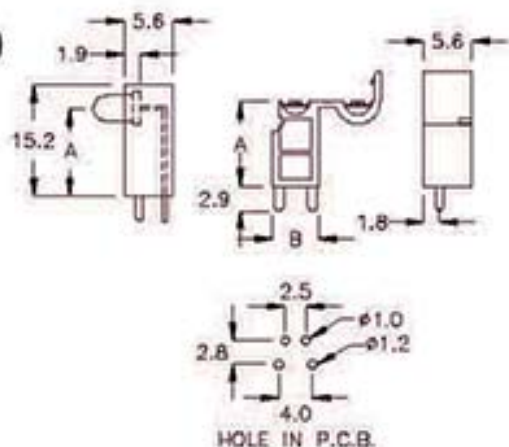


LED座 LED HOUSING

MATERIAL: NYLON 66(UL)
FLAME CLASS: 94V-2
COLOR: NATURAL

Build-in Clamp Function

FOR $\phi 3$ 2PIN LED			
PART NO	A	B	PACKAGE
LJA-12A	12.5	5.4	500

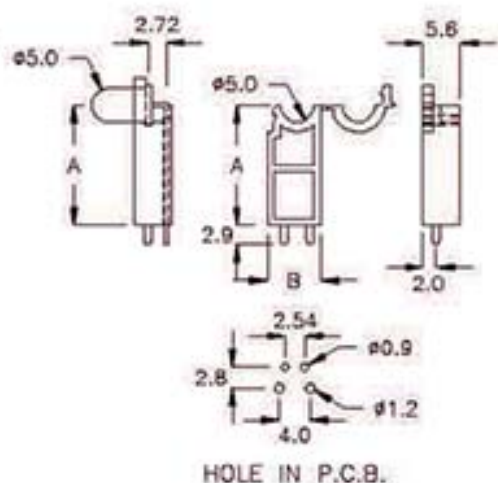


LED座 LED HOUSING

MATERIAL: NYLON 66(UL)
FLAME CLASS: 94V-2
COLOR: BLACK

Build-in Clamp Function

FOR $\phi 5$ 2PIN LED			
PART NO	A	B	PACKAGE
QLJ-18	18.0	8.1	500

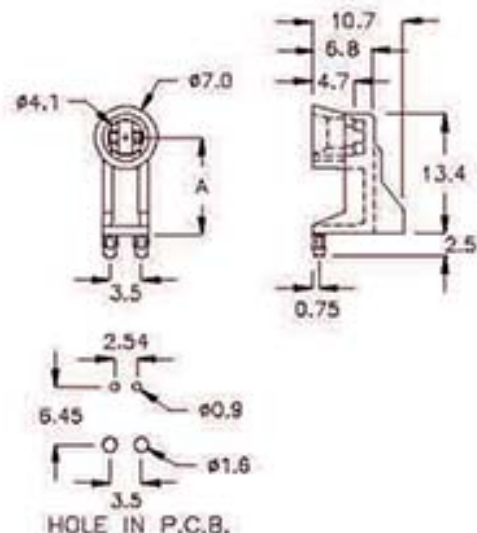


LED座 LED HOUSING

MATERIAL: NYLON 66(UL)
FLAME CLASS: 94V-2
COLOR: BLACK

Build-in Clamp Function

FOR $\phi 3$ 2PIN LED		
PART NO	A	PACKAGE
QQD-10A	10.9	500

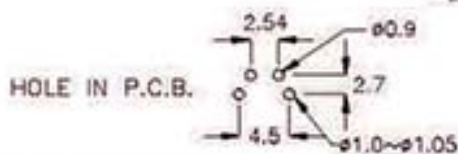
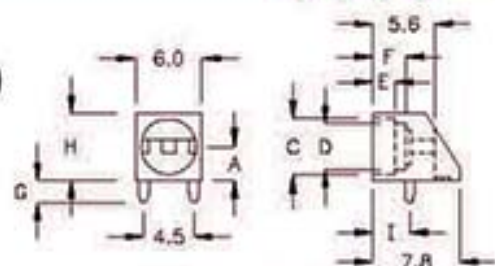


4-14-1



LED座 LED HOUSING

MATERIAL: NYLON 66(UL)
FLAME CLASS: 94V-2
COLOR: BLACK



Build-in Clamp Function

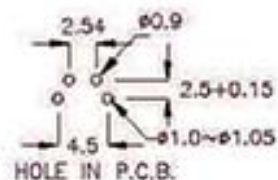
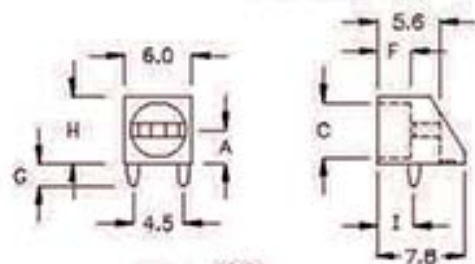
PART NO	FOR $\phi 5$, $\phi 3$ 2PIN LED							PACKAGE	
	A	C	D	E	F	G	H		I
LED-2C	3.0	$\phi 5.0$	$\phi 4.1$	2.7	4.2	3.2	6.0	3.3	1000
LED-2Y	3.0	$\phi 5.0$	$\phi 4.1$	2.0	3.0	3.2	6.0	3.4	

4-14-2



LED座 LED HOUSING

MATERIAL: NYLON 66(UL)
FLAME CLASS: 94V-2
COLOR: BLACK



Build-in Clamp Function

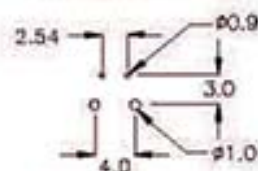
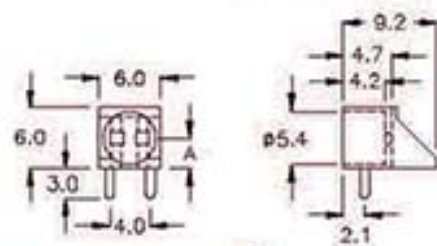
PART NO	FOR $\phi 3$ 2PIN LED						PACKAGE
	A	C	F	G	H	I	
LED-3Y	4.0	$\phi 4.1$	1.4	2.5	7.0	3.3	1000
LED-3YK	4.0	$\phi 3.3$	1.4	2.5	7.0	3.3	
LED-4Y	3.0	$\phi 4.1$	1.4	1.5	6.0	3.3	

4-14-3



LED座 LED HOUSING

MATERIAL: NYLON 66(UL)
FLAME CLASS: 94V-2
COLOR: BLACK



HOLE IN P.C.B.

PART NO	FOR $\phi 5$ 2PIN LED	
	A	PACKAGE
LED-5Y	3.0	500

LED 套, LED 座 LED HOLDER, LED HOUSING

PINGOOD

4-15-1

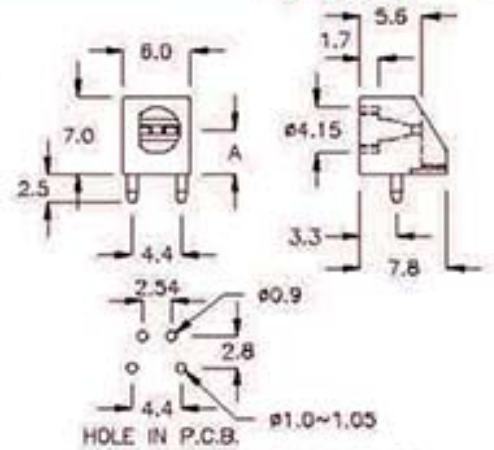


LED座 LED HOUSING

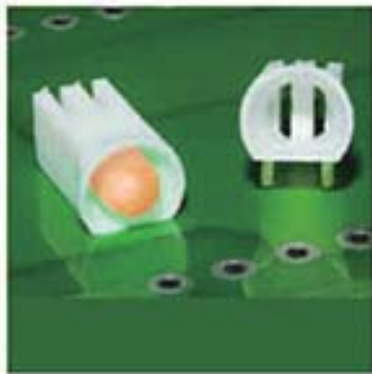
MATERIAL: NYLON 66(UL)
FLAME CLASS: 94V-2
COLOR: BLACK

Build-in Clamp Function

FOR $\phi 3$ 2PIN LED		
PART NO	A	PACKAGE
LED-4WK	4.0	1000



4-15-2

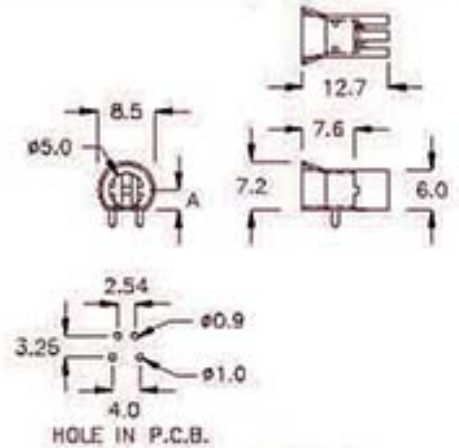


LED座 LED HOUSING

MATERIAL: NYLON 66(UL)
FLAME CLASS: 94V-2
COLOR: NATURAL

Build-in Clamp Function

FOR $\phi 5$ 2PIN LED		
PART NO	A	PACKAGE
ELA-01	3.0	500



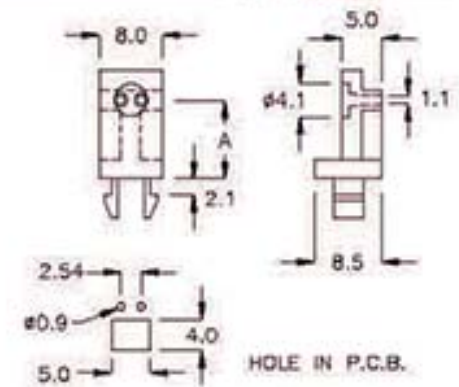
4-15-3



LED座 LED HOUSING

MATERIAL: NYLON 66(UL)
FLAME CLASS: 94V-2
COLOR: NATURAL

FOR $\phi 5$ 2PIN LED		
PART NO	A	PACKAGE
LED-10Y	10.0	500



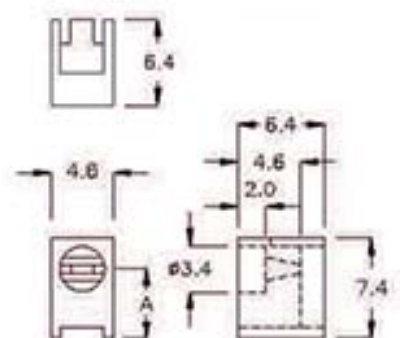
4-15-4



LED座 LED HOUSING

MATERIAL: NYLON 66(UL)
FLAME CLASS: 94V-2
COLOR: BLACK

FOR $\phi 3$ 2PIN LED		
PART NO	A	PACKAGE
LEF5-5	5.1	1000



LED 套, LED 座 LED HOLDER, LED HOUSING

PINGOOD

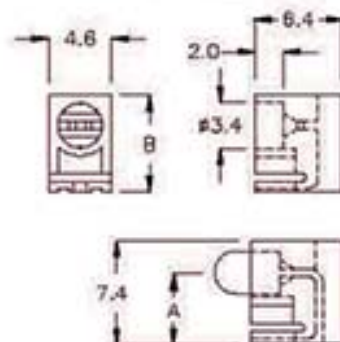
4-16-1



LED 座 LED HOUSING

MATERIAL: NYLON 66(UL)
FLAME CLASS: 94V-2
COLOR: BLACK

FOR $\phi 3$ 2PIN LED			
PART NO.	A	B	PACKAGE
LMD-5A	5.1	7.3	1000



4-16-2

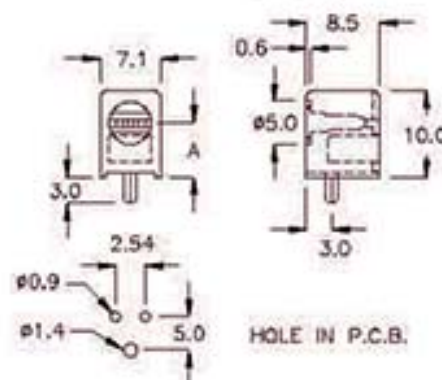


LED 座 LED HOUSING

MATERIAL: NYLON 66(UL)
FLAME CLASS: 94V-2
COLOR: BLACK

Build-in Clamp Function

FOR $\phi 5$ 2PIN LED		
PART NO.	A	PACKAGE
EEW-6A	6.35	1000



4-16-3

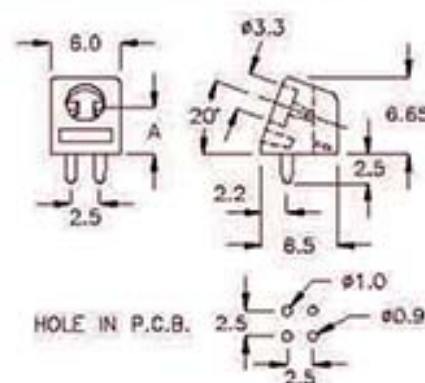


LED 座 LED HOUSING

MATERIAL: NYLON 66(UL)
FLAME CLASS: 94V-2
COLOR: NATURAL

Build-in Clamp Function

FOR $\phi 3$ 2PIN LED		
PART NO.	A	PACKAGE
LETJ-4AK	4.0	1000



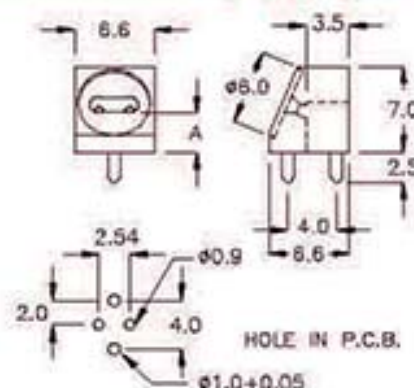
4-16-4



LED 座 LED HOUSING

MATERIAL: NYLON 66(UL)
FLAME CLASS: 94V-2
COLOR: NATURAL, BLACK

FOR $\phi 5$ 2PIN LED		
PART NO.	A	PACKAGE
LETS-3T	3.3	1000



4-18-1

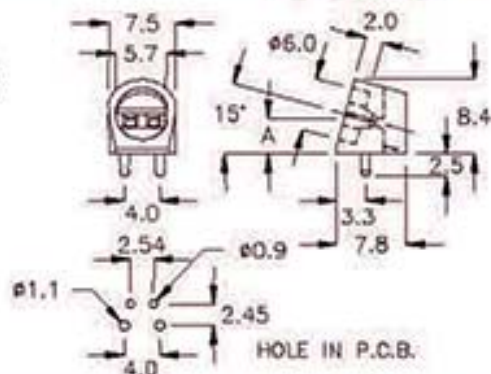


LED 座 LED HOUSING

MATERIAL: NYLON 66(UL)
FLAME CLASS: 94V-2
COLOR: NATURAL, BLACK

Build-in Clamp Function

FOR $\phi 5$ 2PIN LED			
PART NO.	A	PACKAGE	
LET5-4CK	4.0	1000	



4-18-2

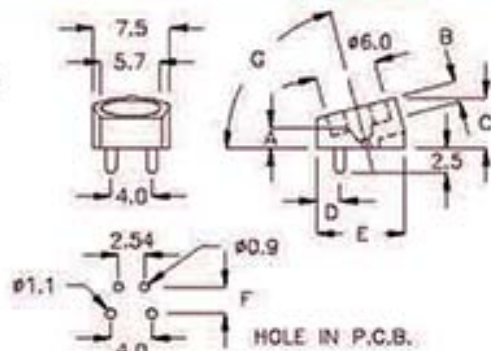


LED 座 LED HOUSING

MATERIAL: NYLON 66(UL)
FLAME CLASS: 94V-2
COLOR: BLACK

Build-in Clamp Function

FOR $\phi 5$ 2PIN LED								
PART NO.	A	B	C	D	E	F	G	PACKAGE
LET5-2DF	2.0	2.0	5.0	2.3	8.65	2.65	75°	1000
LET5-3MQ	3.0	2.0	7.25	3.35	8.85	3.9	45°	



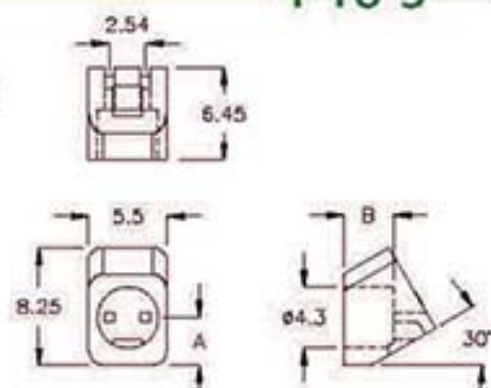
4-18-3



LED 座 LED HOUSING

MATERIAL: NYLON 66(UL)
FLAME CLASS: 94V-2
COLOR: NATURAL

FOR $\phi 3$ 2PIN LED			
PART NO.	A	B	PACKAGE
QLC-3A	3.4	3.5	2000



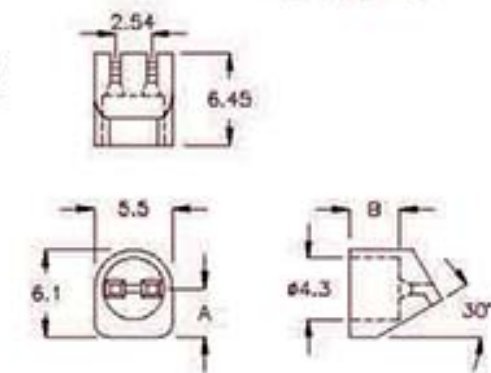
4-18-4



LED 座 LED HOUSING

MATERIAL: NYLON 66(UL)
FLAME CLASS: 94V-2
COLOR: NATURAL

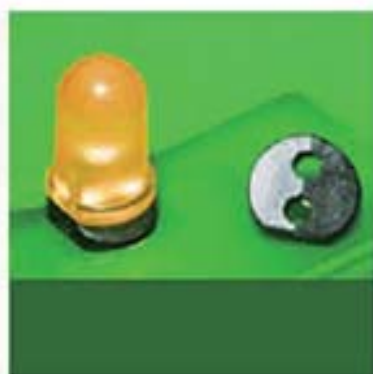
FOR $\phi 3$ 2PIN LED			
PART NO.	A	B	PACKAGE
QLX-3K	3.4	3.5	1000



LED 套, LED 座 LED HOLDER, LED HOUSING

PINGOOD

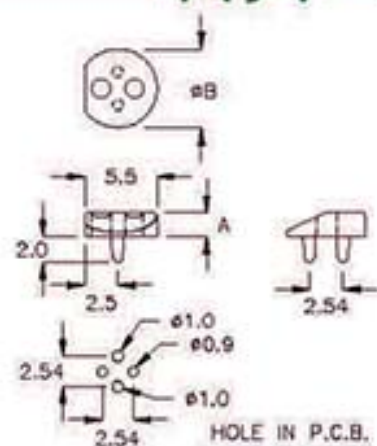
4-19-1



LED座 LED HOUSING

MATERIAL: NYLON 66(UL)
FLAME CLASS: 94V-2
COLOR: BLACK

FOR $\phi 3$ 2PIN LED			
PART NO.	A	B	PACKAGE
EKF-1A	1.8	6.0	2000



4-19-2

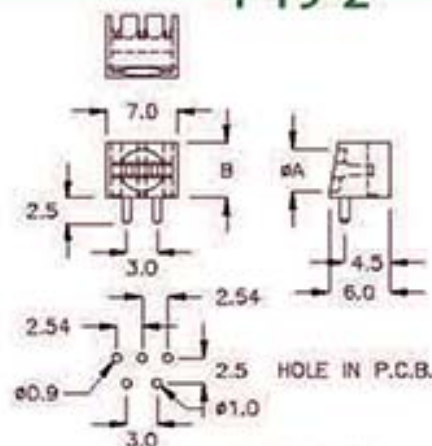


LED座 LED HOUSING

MATERIAL: NYLON 66(UL)
FLAME CLASS: 94V-2
COLOR: BLACK

Build-in Clamp Function

FOR $\phi 3$ 3PIN LED			
PART NO.	A	B	PACKAGE
EEN-3A	4.3	5.5	1000



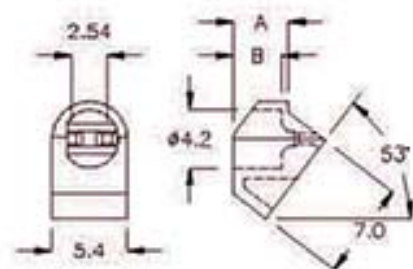
4-19-3



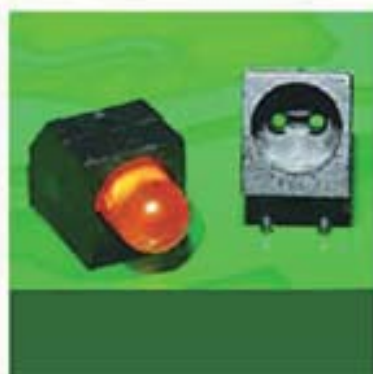
LED座 LED HOUSING

MATERIAL: NYLON 66(UL)
FLAME CLASS: 94V-2
COLOR: NATURAL

FOR $\phi 3$ 2PIN LED			
PART NO.	A	B	PACKAGE
QLA-05	4.1	3.45	2000



4-19-4

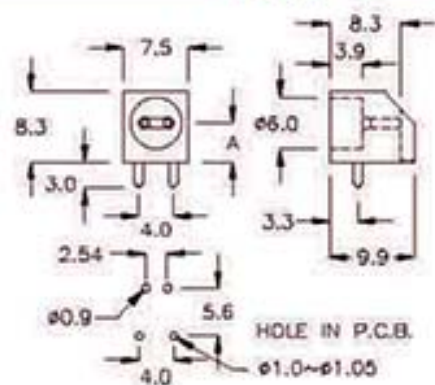


LED座 LED HOUSING

MATERIAL: NYLON 66(UL)
FLAME CLASS: 94V-2
COLOR: BLACK

Build-in Clamp Function

FOR $\phi 5$ 3PIN LED			
PART NO.	A	PACKAGE	
LEH5-4MT	4.5	500	

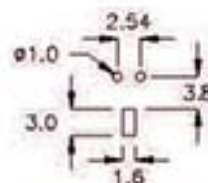
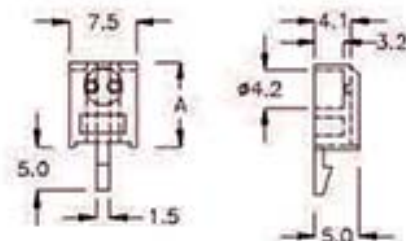




LED座 LED HOUSING

MATERIAL: NYLON 66(UL)
FLAME CLASS: 94V-2
COLOR: BLACK

FOR $\phi 3$ 2PIN LED			
PART NO	A	PACKAGE	
EDT-7A	9.5	1000	



HOLE IN P.C.B.
P.C.B. THICKNESS : 1.6mm

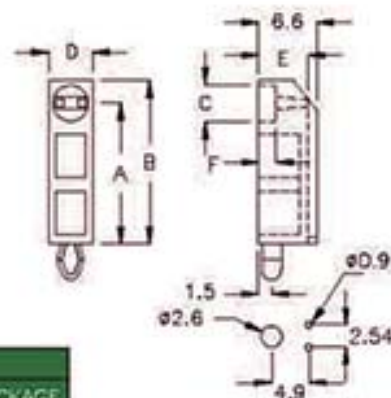


LED座 LED HOUSING

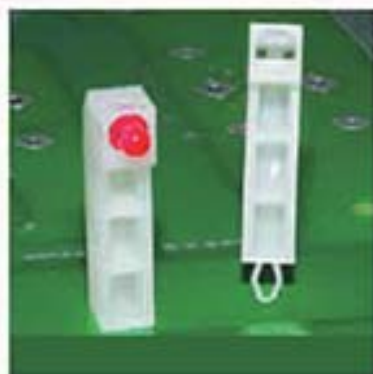
MATERIAL: NYLON 66(UL)
FLAME CLASS: 94V-2
COLOR: NATURAL

Build-in Clamp Function

FOR $\phi 3$ 2PIN LED							
PART NO	A	B	C	D	E	F	PACKAGE
LEM3-16	16.0	18.5	$\phi 4.1$	5.0	5.6	3.0	500
LEM4-16	16.0	18.6	$\phi 4.2$	5.1	5.7	2.0	



HOLE IN P.C.B.
P.C.B. THICKNESS : 1.6mm

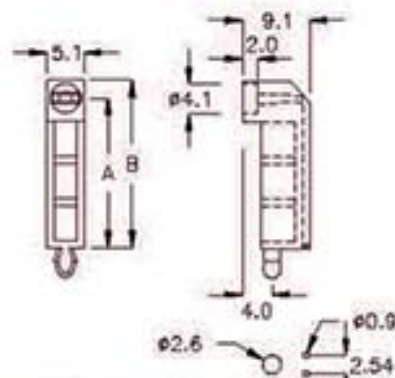


LED座 LED HOUSING

MATERIAL: NYLON 66(UL)
FLAME CLASS: 94V-2
COLOR: NATURAL

Build-in Clamp Function

FOR $\phi 3$ 2PIN LED			
PART NO	A	B	PACKAGE
LEM4-20A	20.5	23.0	500



HOLE IN P.C.B.
P.C.B. THICKNESS : 1.6mm

4-21-1

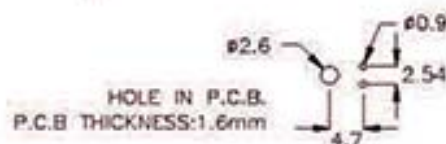
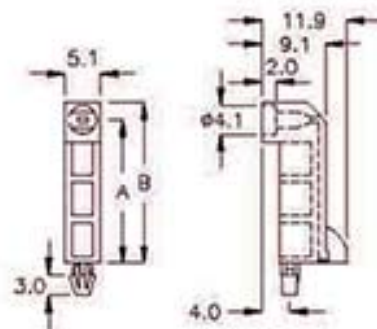


LED座 LED HOUSING

MATERIAL: NYLON 66(UL)
FLAME CLASS: 94V-2
COLOR: NATURAL

Build-in Clamp Function

FOR $\phi 3$ 2PIN LED			
PART NO	A	B	PACKAGE
EKC-20A	20.5	23.0	500



4-21-2

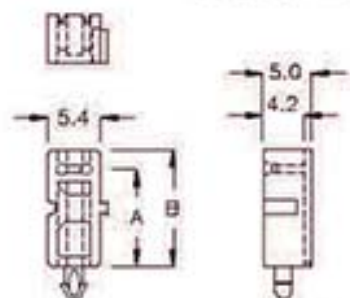


LED座 LED HOUSING

MATERIAL: NYLON 66(UL)
FLAME CLASS: 94V-2
COLOR: NATURAL

Build-in Clamp Function

FOR QUADRATE 2PIN LED			
PART NO	A	B	PACKAGE
EDW-10	10.0	12.0	1000



4-21-3

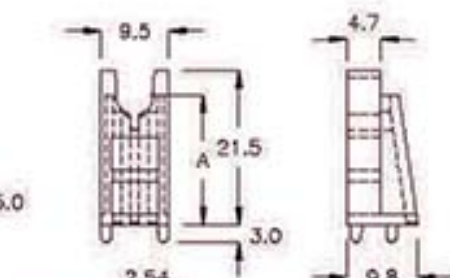
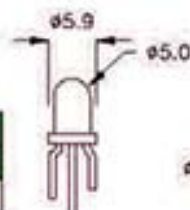


LED座 LED HOUSING

MATERIAL: NYLON 66(UL)
FLAME CLASS: 94V-2
COLOR: NATURAL

Build-in Clamp Function

FOR $\phi 5$ 3PIN LED		
PART NO	A	PACKAGE
LEX-18T	18.0	500





LED座 LED HOUSING

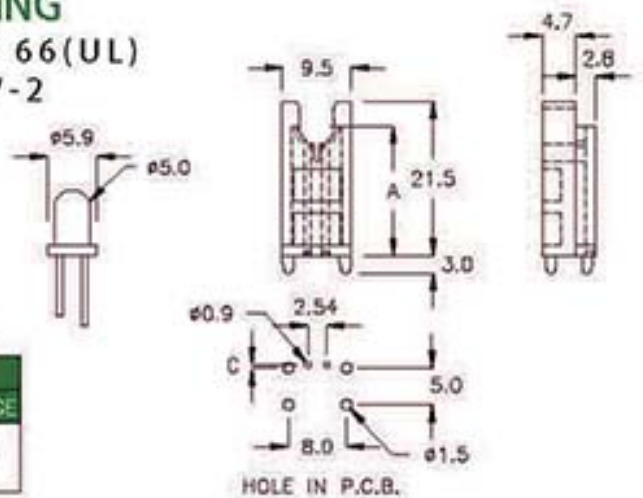
MATERIAL: NYLON 66(UL)

FLAME CLASS: 94V-2

COLOR: NATURAL

Build-in Clamp Function

FOR $\phi 5$ 2PIN LED			
PART NO	A	C	PACKAGE
LEW-18T	18.0	0.5	500
LEI-18T	18.0	0.3	



LED座 LED HOUSING

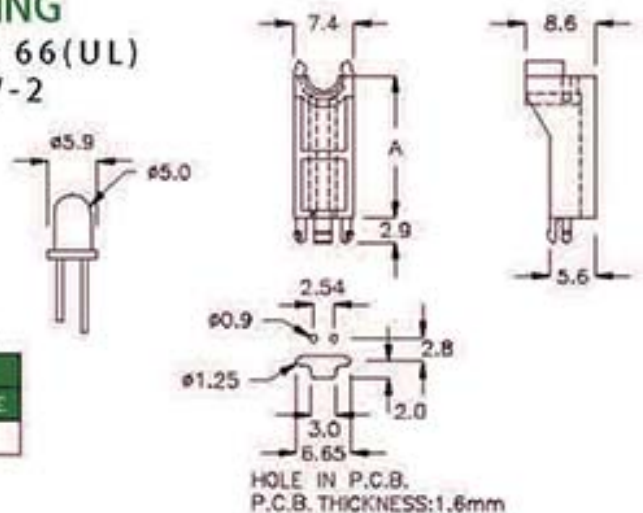
MATERIAL: NYLON 66(UL)

FLAME CLASS: 94V-2

COLOR: BLACK

Build-in Clamp Function

FOR $\phi 5$ 2PIN LED		
PART NO	A	PACKAGE
LJD-18	17.5	500



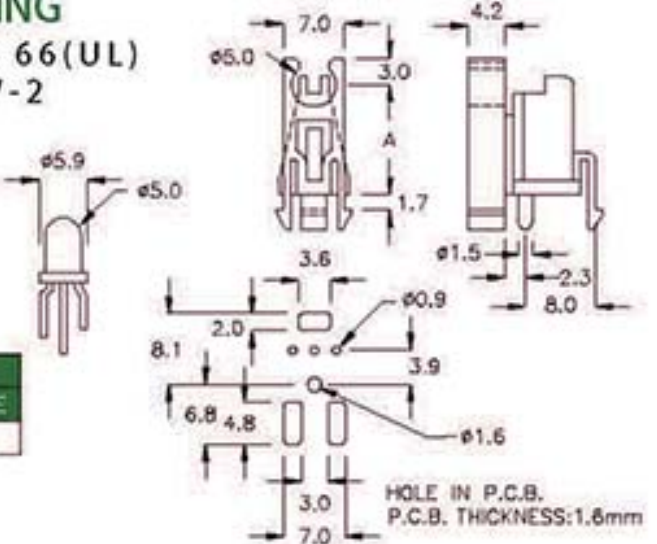
LED座 LED HOUSING

MATERIAL: NYLON 66(UL)

FLAME CLASS: 94V-2

COLOR: NATURAL

FOR $\phi 5$ 3PIN LED		
PART NO	A	PACKAGE
LED-5AT	12.5	500

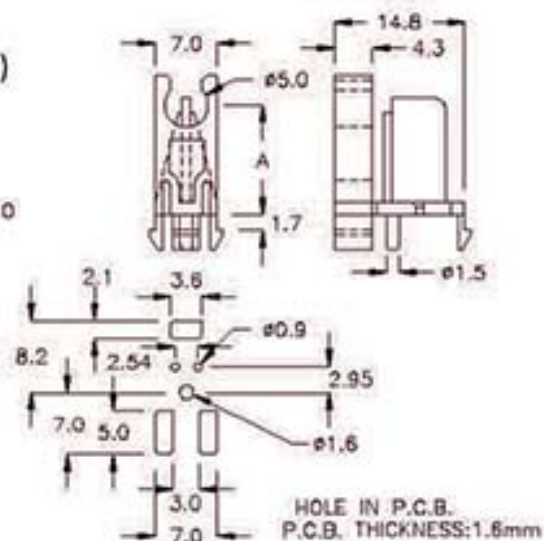
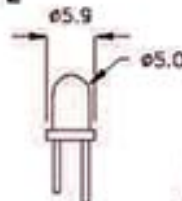




LED座 LED HOUSING

MATERIAL: NYLON 66(UL)
FLAME CLASS: 94V-2
COLOR: NATURAL

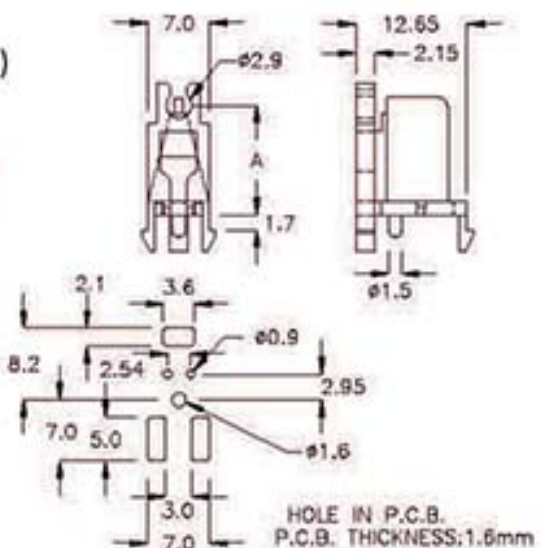
FOR $\phi 5$ 2PIN LED		
PART NO	A	PACKAGE
LED-5BT	12.5	500



LED座 LED HOUSING

MATERIAL: NYLON 66(UL)
FLAME CLASS: 94V-2
COLOR: NATURAL

FOR $\phi 3$ 2PIN LED		
PART NO	A	PACKAGE
LED-3BT	12.5	500

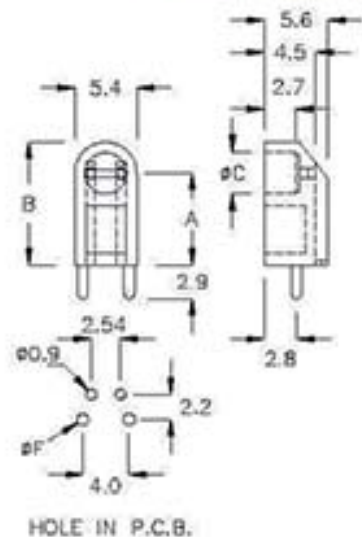


LED座 LED HOUSING

MATERIAL: NYLON 66(UL)
FLAME CLASS: 94V-2
COLOR: NATURAL

Build-in Clamp Function

FOR $\phi 3$ 2PIN LED					
PART NO	A	B	C	F	PACKAGE
LEG3-6A	6.5	9.2	$\phi 3.6$	1.1	1000
LEG3-8T	8.0	10.7	$\phi 3.6$	1.0	
LEG3-10F	10.8	13.3	$\phi 4.1$	1.0	500
LEG3-11C	11.8	14.3	$\phi 4.1$	1.0	2000



4-25-1

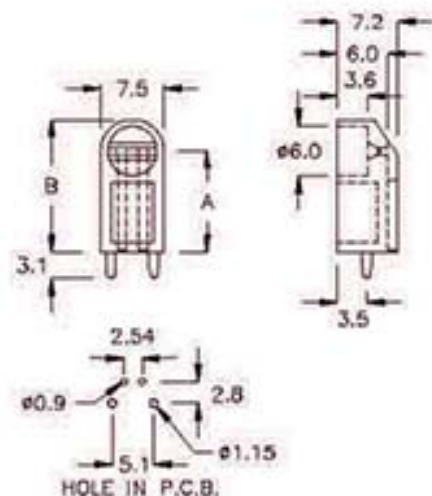


LED座 LED HOUSING

MATERIAL: NYLON 66(UL)
FLAME CLASS: 94V-2
COLOR: NATURAL

Build-in Clamp Function

FOR $\phi 5$ 2PIN LED			
PART NO.	A	B	PACKAGE
EDJ-12	12.0	15.8	500



4-25-2

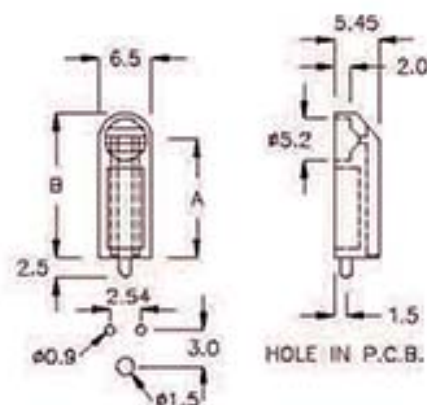


LED座 LED HOUSING

MATERIAL: NYLON 66(UL)
FLAME CLASS: 94V-2
COLOR: NATURAL

Build-in Clamp Function

FOR $\phi 5$ 2PIN LED			
PART NO.	A	B	PACKAGE
EEM-14A	14.5	17.75	500



4-25-3

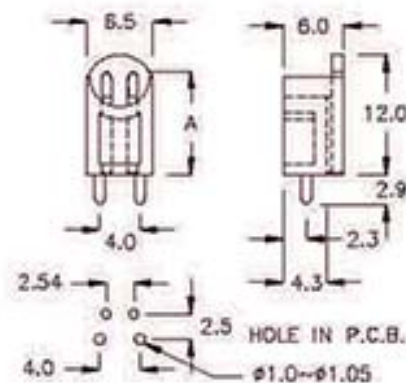


LED座 LED HOUSING

MATERIAL: NYLON 66(UL)
FLAME CLASS: 94V-2
COLOR: NATURAL

Build-in Clamp Function

FOR $\phi 5$ 2PIN LED		
PART NO.	A	PACKAGE
EDH-9A	10.0	2000



LED 套, LED 座 LED HOLDER, LED HOUSING

PINGOOD

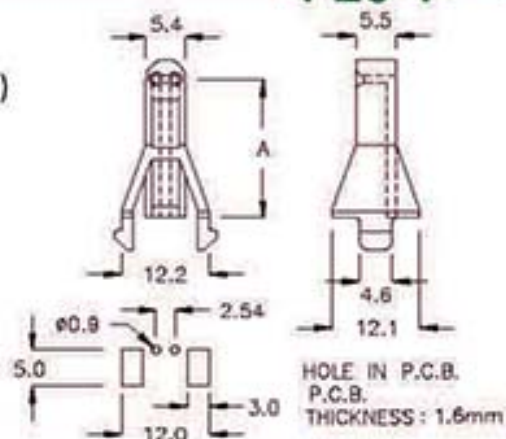
4-26-1



LED座 LED HOUSING

MATERIAL: NYLON 66(UL)
FLAME CLASS: 94V-2
COLOR: BLACK

FOR $\phi 5$ 2PIN LED			
PART NO	A	PACKAGE	
LEH5-19K	19.0	1000	



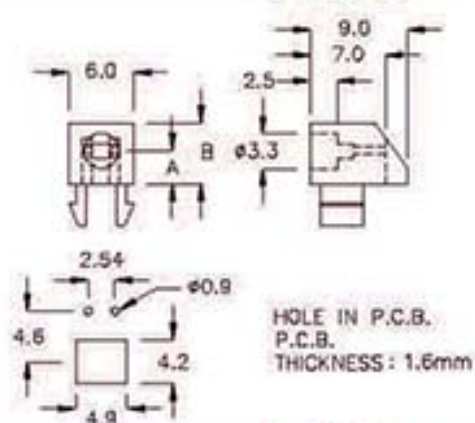
4-26-2



LED座 LED HOUSING

MATERIAL: NYLON 66(UL)
FLAME CLASS: 94V-2
COLOR: BLACK

FOR $\phi 3$ 2PIN LED			
PART NO	A	B	PACKAGE
EEC-03	3.05	5.6	1000



4-26-3

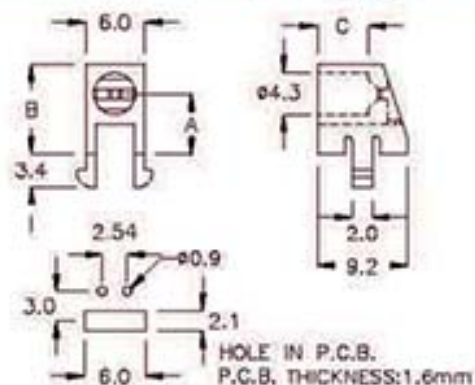


LED座 LED HOUSING

MATERIAL: NYLON 66(UL)
FLAME CLASS: 94V-2
COLOR: BLACK

Build-in Clamp Function

FOR $\phi 3$ 2PIN LED				
PART NO	A	B	C	PACKAGE
EEK-6A	6.1	9.1	5.2	1000



4-26-4

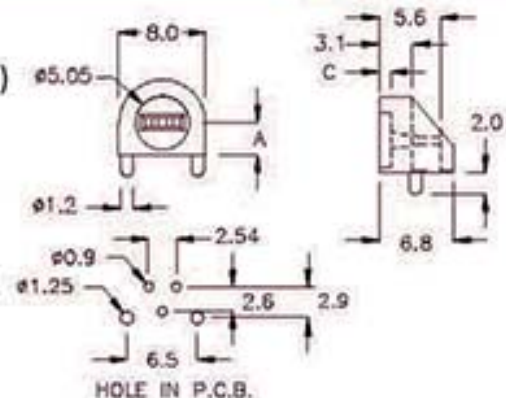


LED座 LED HOUSING

MATERIAL: NYLON 66(UL)
FLAME CLASS: 94V-2
COLOR: NATURAL

Build-in Clamp Function

FOR $\phi 5$ 3PIN LED			
PART NO	A	C	PACKAGE
EDL-03	3.0	1.0	1000



LED 套, LED 座 LED HOLDER, LED HOUSING

PINGOOD

4-27-1

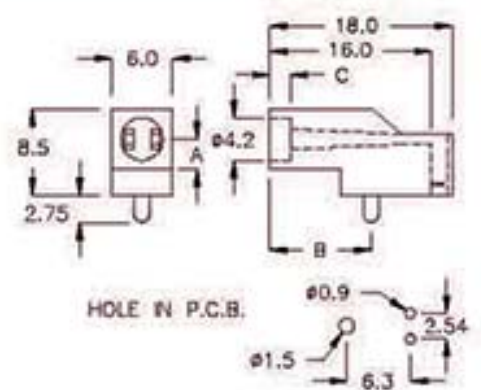


LED座 LED HOUSING

MATERIAL: NYLON 66(UL)
FLAME CLASS: 94V-2
COLOR: BLACK

Build-in Clamp Function

FOR $\phi 3$ 2PIN LED				
PART NO.	A	B	C	PACKAGE
EKN-05A	3.0	10.0	2.0	500



4-27-2

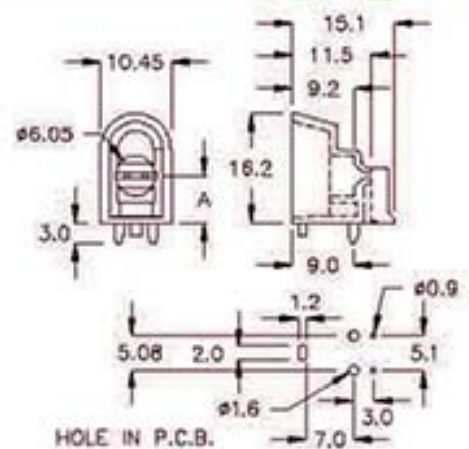


LED座 LED HOUSING

MATERIAL: NYLON 66(UL)
FLAME CLASS: 94V-2
COLOR: BLACK

Build-in Clamp Function

FOR $\phi 5$ 2PIN LED		
PART NO.	A	PACKAGE
QOR-7A	7.0	500



4-27-3

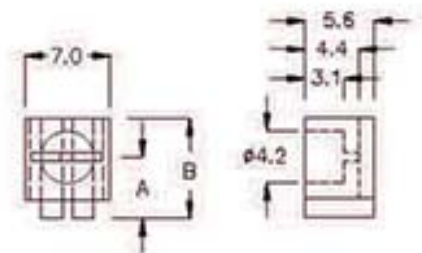


LED座 LED HOUSING

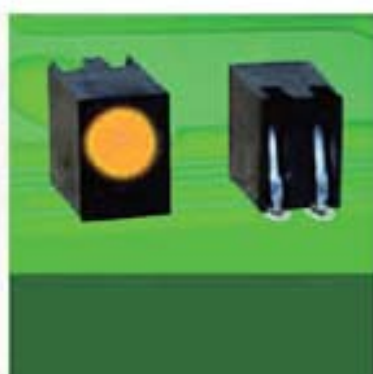
MATERIAL: NYLON 66(UL)
FLAME CLASS: 94V-2
COLOR: BLACK

Build-in Clamp Function

FOR $\phi 3$ 3PIN LED			
PART NO.	A	B	PACKAGE
EDC-05	5.0	8.2	1000



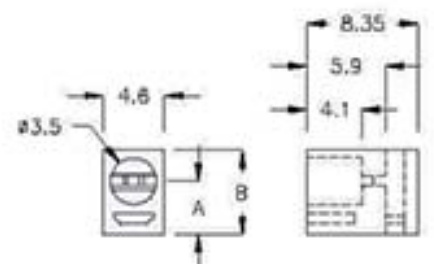
4-27-4



LED座 LED HOUSING

MATERIAL: NYLON 66(UL)
FLAME CLASS: 94V-2
COLOR: BLACK

FOR $\phi 3$ 2PIN LED			
PART NO.	A	B	PACKAGE
EXT-4C	4.0	6.3	2000



LED 套, LED 座 LED HOLDER, LED HOUSING

PINGOOD

4-28-1

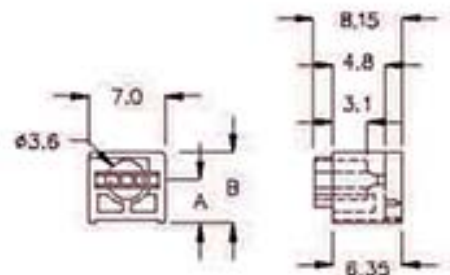


LED座 LED HOUSING

MATERIAL: NYLON 66(UL)
FLAME CLASS: 94V-2
COLOR: BLACK

Build-in Clamp Function

FOR $\phi 3$ 3PIN LED			
PART NO.	A	B	PACKAGE
EKB-04	4.0	6.6	1000



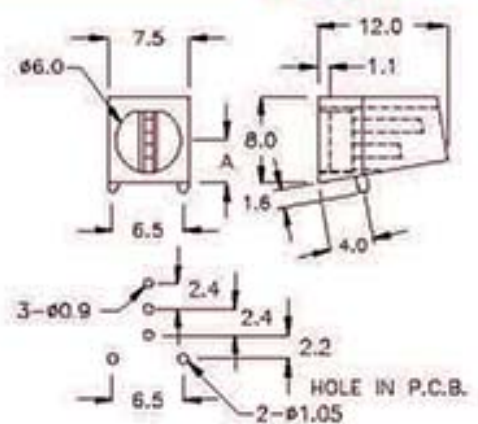
4-28-2



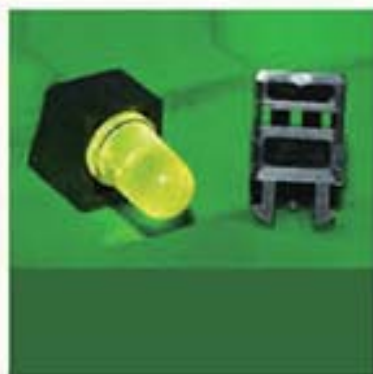
LED座 LED HOUSING

MATERIAL: NYLON 66(UL)
FLAME CLASS: 94V-2
COLOR: BLACK

FOR $\phi 5$ 3PIN LED		
PART NO.	A	PACKAGE
LER-4	4.0	1000



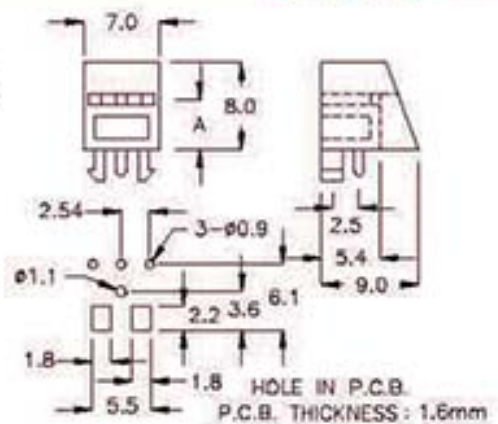
4-28-3



LED座 LED HOUSING

MATERIAL: NYLON 66(UL)
FLAME CLASS: 94V-2
COLOR: BLACK

FOR $\phi 5$ 3PIN LED		
PART NO.	A	PACKAGE
LEK5-5TX	4.8	500



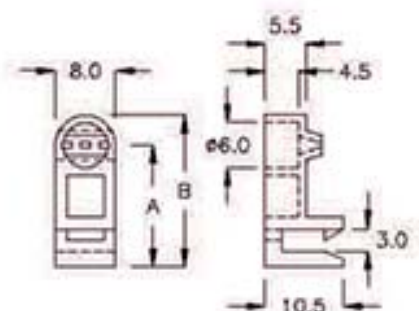
4-28-4



LED座 LED HOUSING

MATERIAL: NYLON 66(UL)
FLAME CLASS: 94V-2
COLOR: NATURAL

FOR $\phi 5$ 3PIN LED			
PART NO.	A	B	PACKAGE
EDA-11	16.0	20.0	500



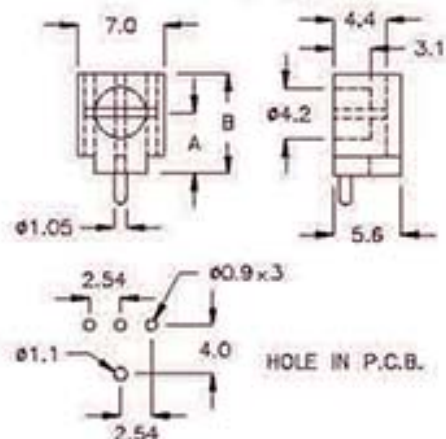
4-29-1



LED座 LED HOUSING

MATERIAL: NYLON 66(UL)
FLAME CLASS: 94V-2
COLOR: NATURAL

FOR $\phi 3$ 3PIN LED			
PART NO.	A	B	PACKAGE
EDM-05	5.0	8.2	1000



4-29-2

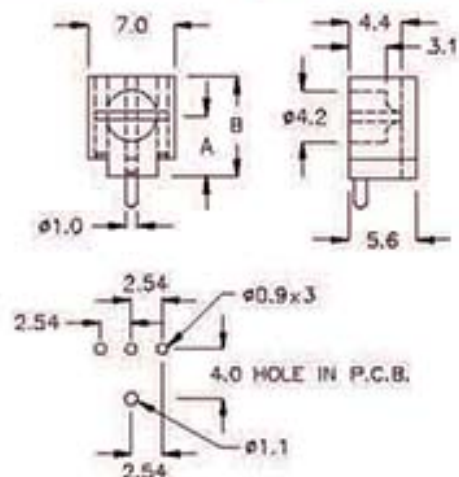


LED座 LED HOUSING

MATERIAL: NYLON 66(UL)
FLAME CLASS: 94V-2
COLOR: BLACK

Build-in Clamp Function

FOR $\phi 3$ 3PIN LED			
PART NO.	A	B	PACKAGE
EDM-5C	5.0	8.2	1000



4-29-3



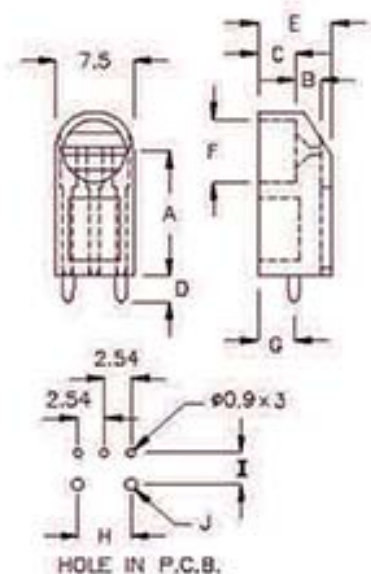
LED座 LED HOUSING

MATERIAL: NYLON 66(UL)
FLAME CLASS: 94V-2
COLOR: NATURAL

Build-in Clamp Function

FOR $\phi 5$ 3PIN LED						
PART NO.	A	B	C	D	E	F
LEE-12	12.0	2.5	3.6	3.1	7.1	$\phi 6.0$
LEK2-10T	9.5	2.0	4.0	3.0	7.1	$\phi 8.1$
LEK2-12T	12.0	2.5	3.6	2.5	7.1	$\phi 6.0$
LEK2-13T	13.5	2.1	3.9	2.5	7.1	$\phi 6.0$
LEK2-18T	17.5	2.4	3.6	3.0	7.0	$\phi 6.0$
LEK4-4T	4.0	4.6	1.0	3.0	6.6	$\phi 6.2$

PART NO.	G	H	I	J	PACKAGE
LEE-12	3.5	5.08	3.0	$\phi 1.2$	500
LEK2-10T	3.5	5.08	3.0	$\phi 1.2$	
LEK2-12T	3.5	5.08	3.0	$\phi 1.2$	
LEK2-13T	3.8	6.5	2.7	$\phi 1.05$	
LEK2-18T	3.5	5.08	3.0	$\phi 1.2$	
LEK4-4T	3.8	6.5	2.5	$\phi 1.05$	1000

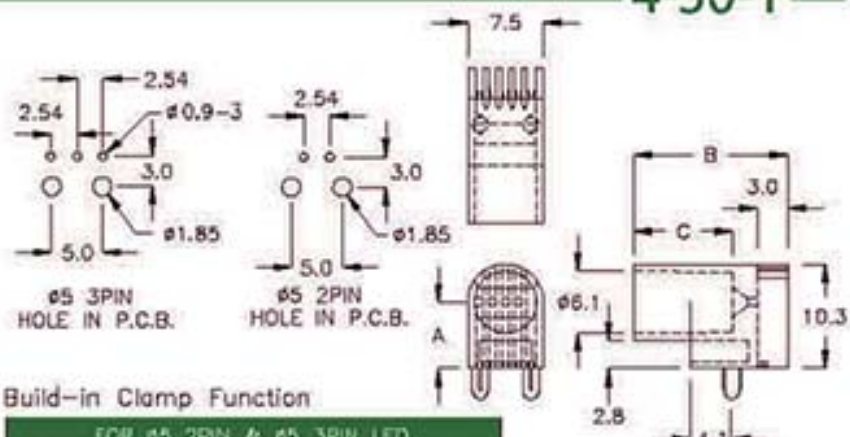


4-30-1

LED 座 LED HOUSING



MATERIAL: NYLON 66(UL)
FLAME CLASS: 94V-2
COLOR: BLACK



Build-in Clamp Function

FOR #5 2PIN & #5 3PIN LED				
PART NO	A	B	C	PACKAGE
QLT-6A	6.55	14.0	8.6	500
QLT-6C	6.55	14.0	6.1	

4-30-2

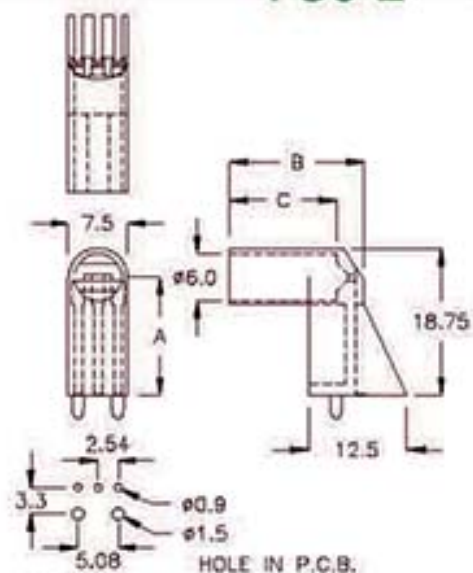
LED 座 LED HOUSING



MATERIAL: NYLON 66(UL)
FLAME CLASS: 94V-2
COLOR: BLACK

Build-in Clamp Function

FOR #5 3PIN LED LAMP				
PART NO	A	B	C	PACKAGE
QLU-15	15.0	17.1	13.6	500



4-30-3

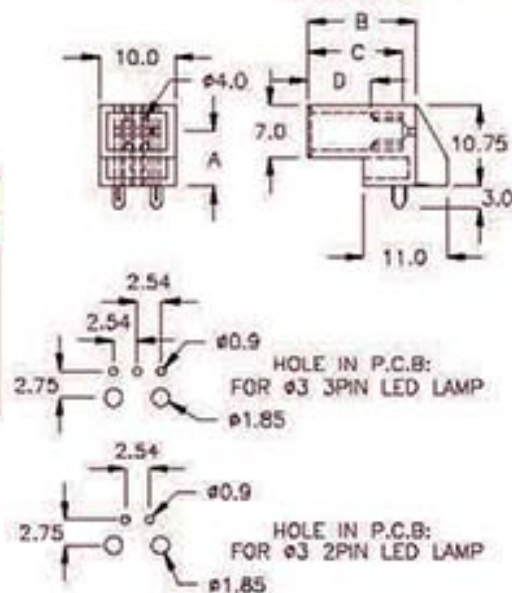
LED 座 LED HOUSING



MATERIAL: NYLON 66(UL)
FLAME CLASS: 94V-2
COLOR: BLACK

Build-in Clamp Function

FOR #3 3PIN, 2PIN LED LAMP					
PART NO	A	B	C	D	PACKAGE
QBT-7A	7.25	14.4	12.6	8.4	500
QBT-7C	7.25	14.4	7.6	3.4	
QBT-7D	7.25	14.4	6.6	2.4	
QBT-7F	7.25	8.4	6.6	2.4	
QBT-7K	7.25	13.4	11.6	7.4	

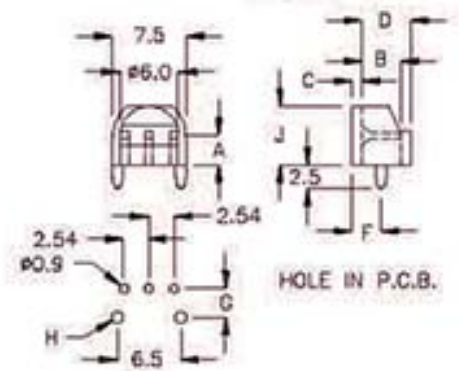


4-32-1



LED座 LED HOUSING

MATERIAL: NYLON 66(UL)
FLAME CLASS: 94V-2
COLOR: NATURAL, BLACK



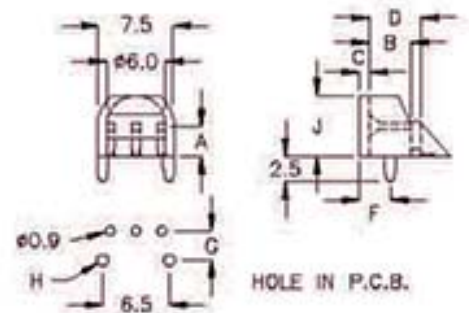
FOR $\phi 5$ 3PIN LED									
PART NO.	A	B	C	D	F	G	H	J	PACKAGE
LEK4-3T	3.0	4.0	1.0	5.0	3.0	3.0	$\phi 1.2$	6.0	1000
LEY-03	3.5	4.0	1.0	5.0	3.0	2.7	$\phi 1.2$	6.5	

4-32-2



LED座 LED HOUSING

MATERIAL: NYLON 66(UL)
FLAME CLASS: 94V-2
COLOR: NATURAL, BLACK



Build-in Clamp Function

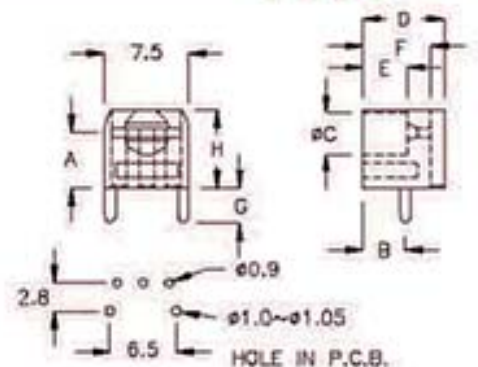
FOR $\phi 5$ 3PIN LED									
PART NO.	A	B	C	D	F	G	H	J	PACKAGE
LEK4-3TW	3.0	4.0	1.0	5.0	3.0	3.0	$\phi 1.2$	6.0	1000

4-32-3



LED座 LED HOUSING

MATERIAL: NYLON 66(UL)
FLAME CLASS: 94V-2
COLOR: BLACK



Build-in Clamp Function

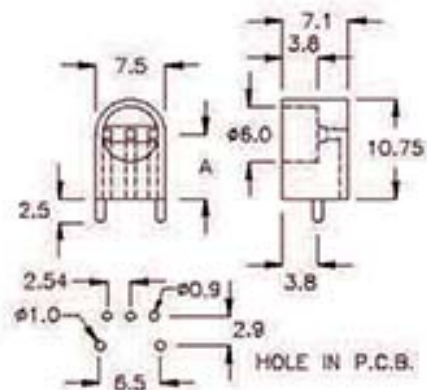
FOR $\phi 3$ 3PIN LED									
PART NO.	A	B	C	D	E	F	G	H	PACKAGE
EKM-05	5.0	3.8	4.0	7.3	4.0	6.1	3.1	7.0	1000



LED座 LED HOUSING

MATERIAL: NYLON 66(UL)
FLAME CLASS: 94V-2
COLOR: NATURAL

FOR $\phi 5$ 3PIN LED		
PART NO	A	PACKAGE
EDQ-07	7.0	1000

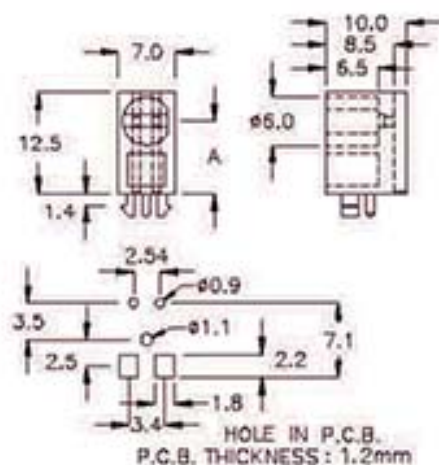


LED座 LED HOUSING

MATERIAL: NYLON 66(UL)
FLAME CLASS: 94V-2
COLOR: NATURAL

Build-in Clamp Function

FOR $\phi 5$ 2PIN LED		
PART NO	A	PACKAGE
EEJ-09	9.0	500

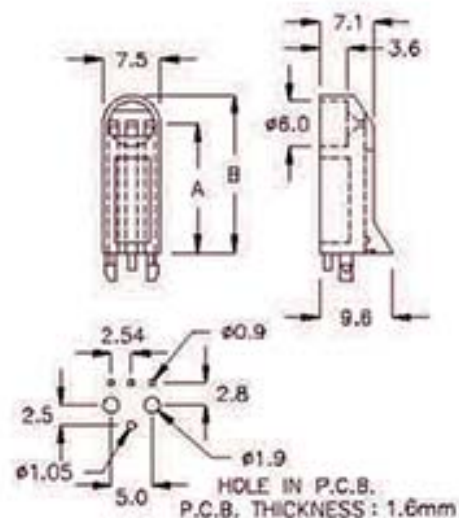


LED座 LED HOUSING

MATERIAL: NYLON 66(UL)
FLAME CLASS: 94V-2
COLOR: NATURAL

Build-in Clamp Function

FOR $\phi 5$ 3PIN LED			
PART NO	A	B	PACKAGE
EEF-17	17.0	20.9	500



LED 套, LED 座 LED HOLDER, LED HOUSING

PINGOOD

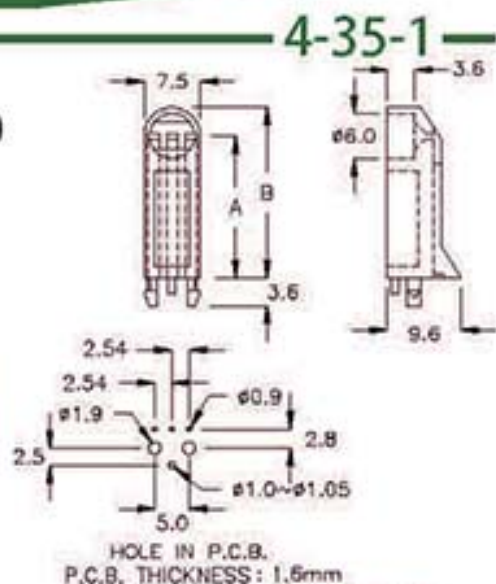
LED 座 LED HOUSING



MATERIAL: NYLON 66(UL)
FLAME CLASS: 94V-2
COLOR: NATURAL

Build-in Clamp Function

FOR #5 3PIN LED				
PART NO	A	B	PACKAGE	
EEF-18A	18.7	22.4	500	
EEF-18C	18.4	22.1		

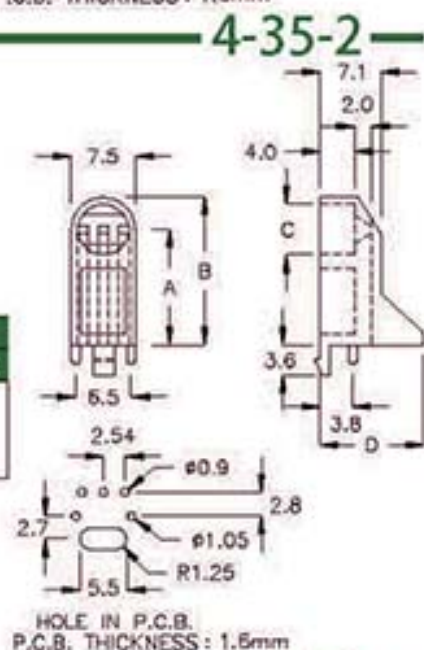


LED 座 LED HOUSING



MATERIAL: NYLON 66(UL)
FLAME CLASS: 94V-2
COLOR: NATURAL

FOR #5 3PIN LED					
PART NO	A	B	C	D	PACKAGE
LEK2-7TX	7.0	10.8	φ6.2	9.5	500
LEK2-10TX	10.0	13.8	φ6.0	12.1	
LEK2-13TX	13.5	17.3	φ6.0	12.1	



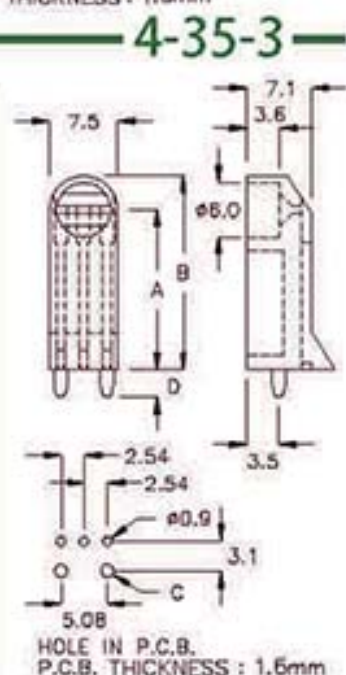
LED 座 LED HOUSING



MATERIAL: NYLON 66(UL)
FLAME CLASS: 94V-2
COLOR: NATURAL

Build-in Clamp Function

FOR #5 3PIN LED					
PART NO	A	B	C	D	PACKAGE
LEK2-5TW	5.0	8.75		3.0	1000
LEK2-6TW	6.0	9.95			
LEK2-7TW	7.0	10.75	φ1.5	3.0	500
LEK2-8TW	8.0	11.75			
LEK2-9TW	9.0	12.75	φ	3.0	500
LEK2-11TW	11.0	14.75			
LEK2-14TW	14.0	17.75	φ1.6	3.0	500
LEK2-15TW	15.0	18.75			
LEK2-16TW	16.0	19.75	φ1.2	3.0	500
LEK2-17TW	17.0	20.75			
LEK2-18TW	17.5	21.25	φ1.2	3.0	500
LEK2-18LTW	18.0	21.75	φ1.5	3.0	
LEK2-19TW	19.0	22.75	φ	3.0	500
LEK2-20TW	20.0	23.75	φ1.6	3.0	
LEK2-11MTW	11.5	15.45	φ1.2	2.5	
LEN-05	5.0	8.75	φ1.0	3.0	1000



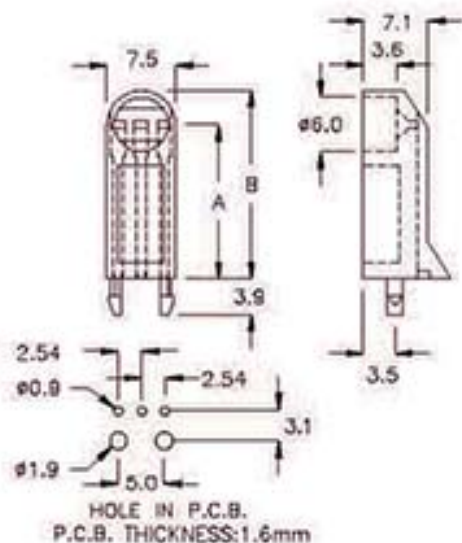


LED座 LED HOUSING

MATERIAL: NYLON 66(UL)
FLAME CLASS: 94V-2
COLOR: NATURAL

Build-in Clamp Function

FOR #5 3PIN LED			
PART NO	A	B	PACKAGE
LEX2-17TP	17.0	20.75	500

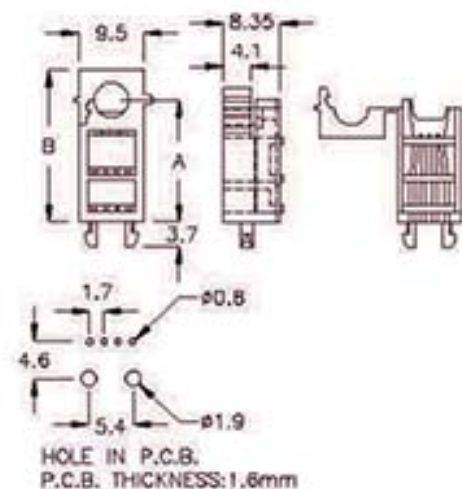


LED座 LED HOUSING

MATERIAL: NYLON 66(UL)
FLAME CLASS: 94V-0
COLOR: NATURAL

Build-in Clamp Function

FOR #5 4PIN LED			
PART NO	A	B	PACKAGE
LEW-17D	17.0	21.5	500
LEW-18A	18.0	22.5	

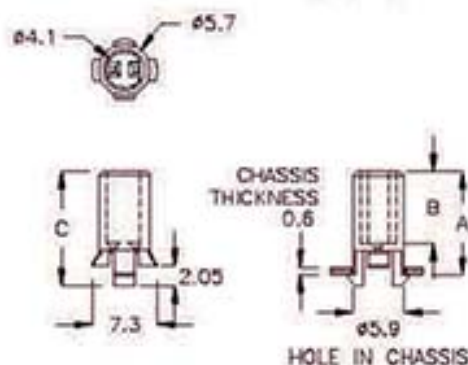


LED座 LED HOUSING

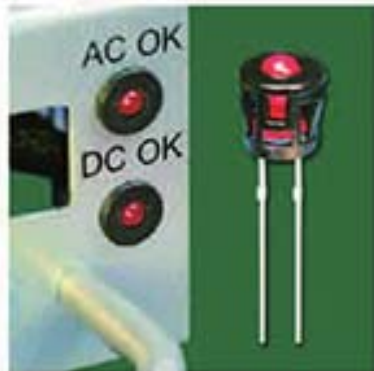
MATERIAL: NYLON 66(UL)
FLAME CLASS: 94V-2
COLOR: BLACK

FOR #3 2PIN LED

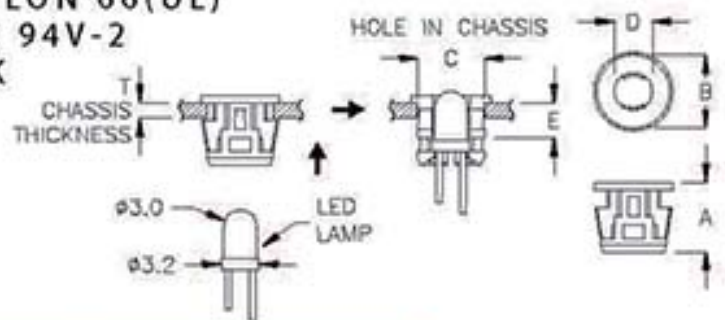
PART NO	A	B	C	PACKAGE
QLY-2A	11.45	8.0	12.8	500
QLY-7K	9.95	6.5	11.3	1000



LED 座 LED HOUSING



MATERIAL: NYLON 66(UL)
FLAME CLASS: 94V-2
COLOR: BLACK

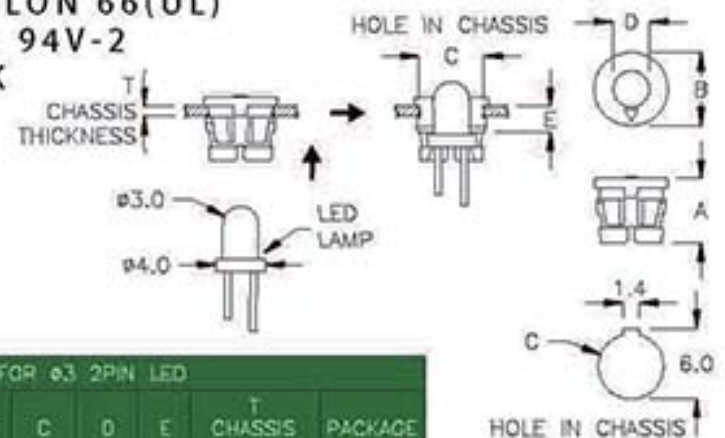


FOR $\phi 3$ 2PIN LED							
PART NO	A	B	C	D	E	T CHASSIS THICKNESS	PACKAGE
CLED-3S	5.3	$\phi 6.0$	$\phi 5.2$	$\phi 2.9$	2.65	1.2	2000

LED 座 LED HOUSING

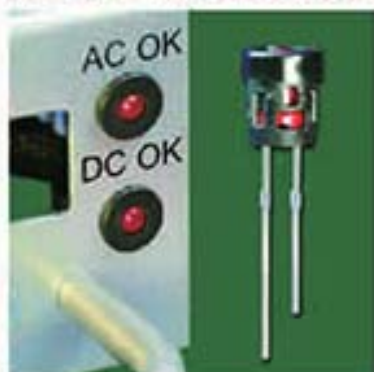


MATERIAL: NYLON 66(UL)
FLAME CLASS: 94V-2
COLOR: BLACK

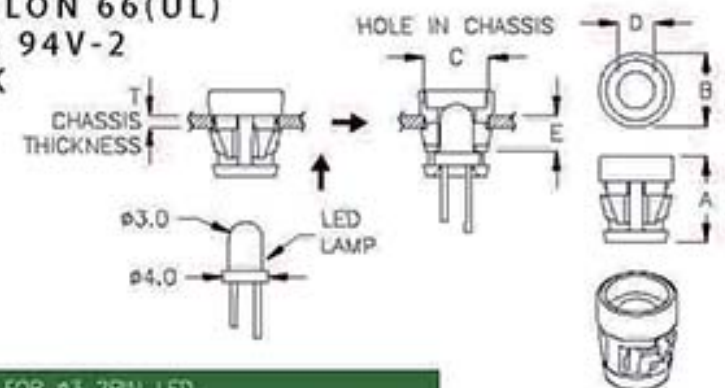


FOR $\phi 3$ 2PIN LED							
PART NO	A	B	C	D	E	T CHASSIS THICKNESS	PACKAGE
KLED-3FM	5.4	$\phi 6.2$	$\phi 5.5$	$\phi 3.1$	2.2	0.8	2000

LED 座 LED HOUSING



MATERIAL: NYLON 66(UL)
FLAME CLASS: 94V-2
COLOR: BLACK



FOR $\phi 3$ 2PIN LED							
PART NO	A	B	C	D	E	T CHASSIS THICKNESS	PACKAGE
KLED-3DQ	6.7	$\phi 5.6$	$\phi 4.95$	$\phi 3.1$	2.2	0.8	2000

LED 套, LED 座 LED HOLDER, LED HOUSING

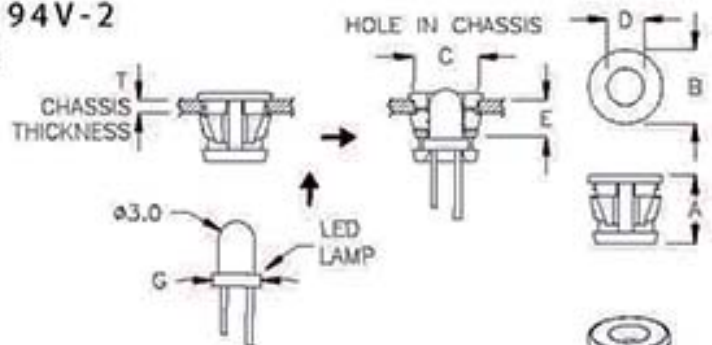
PINGOOD

4-38-1

LED 座 LED HOUSING



MATERIAL: NYLON 66(UL)
FLAME CLASS: 94V-2
COLOR: BLACK



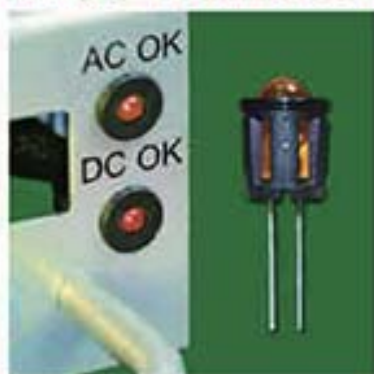
FORM.1



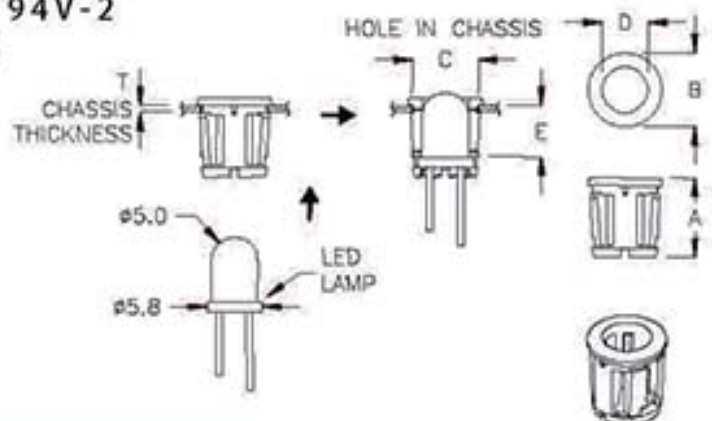
FORM.2

FOR $\phi 3$ 2PIN or 3PIN LED										
PART NO	A	B	C	D	E	G	T CHASSIS THICKNESS	FORM	$\phi 3$ LED	PACKAGE
KLED-3JL	5.0	$\phi 5.5$	$\phi 5.0$	$\phi 2.9$	1.9	$\phi 3.2$	0.8	1	2 PIN	2000
KLED-3PH	5.2	$\phi 5.6$	$\phi 4.95$	$\phi 3.1$	2.2	$\phi 4.0$	0.8	1	2 PIN	
KLED-3HS	5.2	$\phi 6.0$	$\phi 5.3$	$\phi 2.95$	2.55	$\phi 3.2$	0.9	1	2 PIN	
★ KLED-3YM	5.2	$\phi 6.0$	$\phi 5.3$	$\phi 2.95$	3.15	$\phi 3.2$	0.9	1	2 PIN	
KLED-3CF	5.6	$\phi 5.6$	$\phi 5.0$	$\phi 3.1$	2.6	$\phi 4.0$	1.0	1	2 PIN	
KLED-3RG	5.6	$\phi 6.0$	$\phi 5.2$	$\phi 3.0$	2.85	$\phi 4.0$	0.8	2	3 PIN	
KLED-3A	5.6	$\phi 6.0$	$\phi 5.3$	$\phi 3.0$	2.95	$\phi 4.0$	1.0	1	2 PIN	
KLED-3MK	5.6	$\phi 6.0$	$\phi 5.3$	$\phi 3.0$	2.95	$\phi 4.0$	0.9	1	2 PIN	
KLED-3TB	5.7	$\phi 6.0$	$\phi 5.2$	$\phi 3.0$	2.6	$\phi 4.0$	1.0	1	2 PIN	
KLED-3WT	5.7	$\phi 6.0$	$\phi 5.2$	$\phi 3.0$	2.8	$\phi 4.0$	1.0	1	2 PIN	

LED 座 LED HOUSING



MATERIAL: NYLON 66(UL)
FLAME CLASS: 94V-2
COLOR: BLACK



FOR $\phi 5$ 2PIN LED							
PART NO	A	B	C	D	E	T CHASSIS THICKNESS	PACKAGE
KLED-5MS	8.4	$\phi 7.8$	$\phi 7.0$	$\phi 4.9$	5.35	0.6	2000

LED 套, LED 座 LED HOLDER, LED HOUSING

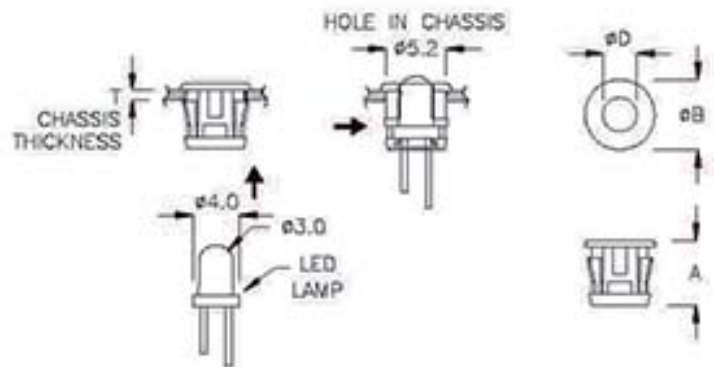
PINGOOD

4-39-1

LED 座 LED HOUSING



MATERIAL: NYLON 66(UL)
FLAME CLASS: 94V-2
COLOR: BLACK



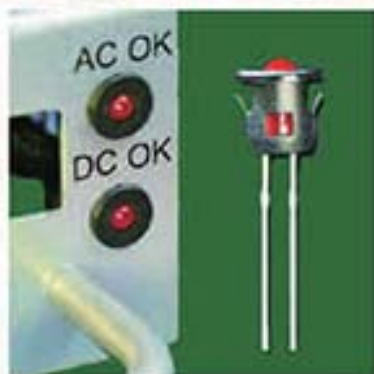
FORM.1



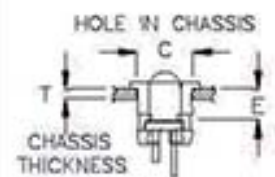
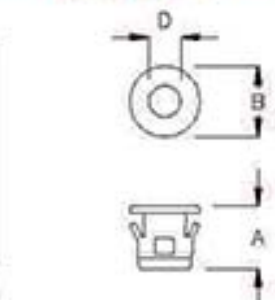
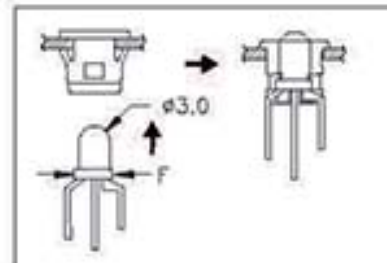
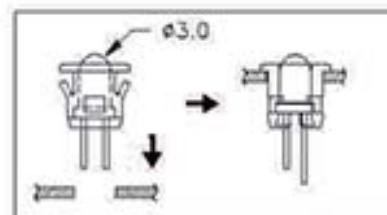
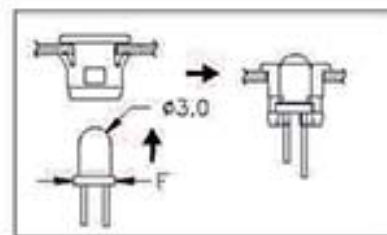
FORM.2

FOR ø3 2PIN or 3PIN LED							
PART NO	A	B	D	T	ø3 LED	FORM	PACKAGE
CLED-3C	5.6	6.0	ø3.0	0.8	2 PIN	1	2000
CLED-3H	5.8	6.0	ø3.0	0.9	2 PIN	1	
CLED-3K	5.6	6.0	ø2.9	0.8	3 PIN	2	
CLED-3RY	5.6	6.0	ø3.0	1.0	2 PIN	1	

LED 座 LED HOUSING



MATERIAL: NYLON 66(UL)
FLAME CLASS: 94V-2
COLOR: BLACK



FOR ø3 2PIN or 3PIN LED								
PART NO	A	B	C	D	E	F	T	PACKAGE
MLED-3A	5.3	ø6.0	ø5.2	ø3.0	2.4	ø3.2	0.6	2000
MLED-3GS	6.0	ø6.7	ø5.3	ø3.05	3.0	ø3.8	0.8	

LED 套, LED 座 LED HOLDER, LED HOUSING

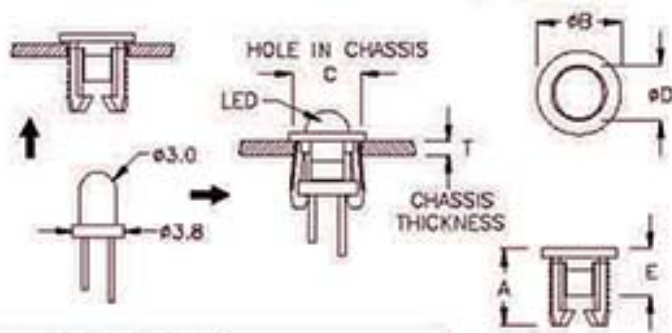
PINGOOD

4-40-1

LED 座 LED HOUSING



MATERIAL: NYLON 66(UL)
FLAME CLASS: 94V-2
COLOR: BLACK



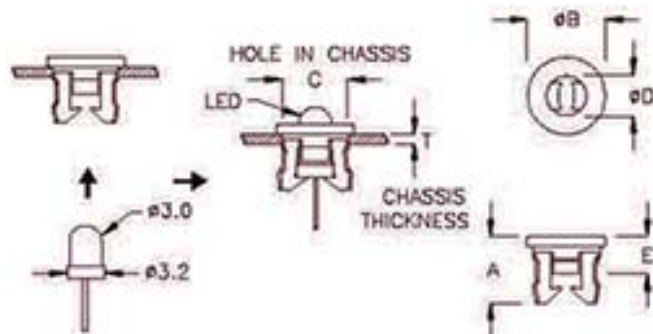
FOR $\phi 3$ 2PIN LED							
PART NO.	A	B	C	D	E	T	PACKAGE
CLED-1J	5.7	5.5	$\phi 4.5$	3.0	3.5	0.8	2000
CLED-1K	5.7	5.5	$\phi 4.5$	3.0	3.5	1.2	
CLED-1N	5.7	5.5	$\phi 4.5$	3.0	3.6	1.6	
CLED-3D	5.9	5.5	$\phi 4.5$	3.0	3.45	1.0	
CLED-6A	5.7	5.5	$\phi 4.5$	3.1	3.4	0.8	

4-40-2

LED 座 LED HOUSING



MATERIAL: PC(UL)
FLAME CLASS: 94V-2
COLOR: BLACK



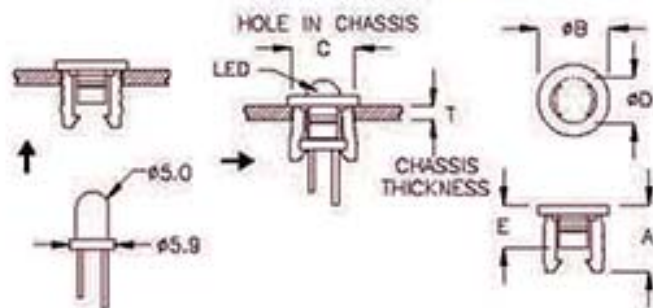
FOR $\phi 3$ 2PIN LED							
PART NO.	A	B	C	D	E	T	PACKAGE
CLED-3NX	4.8	5.6	$\phi 5.0$	2.95	2.7	0.8	2000

4-40-3

LED 座 LED HOUSING



MATERIAL: PC(UL)
FLAME CLASS: 94V-2
COLOR: BLACK



FOR $\phi 5$ 2PIN LED							
PART NO.	A	B	C	T CHASSIS THICKNESS	D	E	PACKAGE
CLED-1AQ	7.25	7.8	$\phi 5.3$	0.8~1.0	5.0	4.65	2000
			$\phi 6.5$	1.2~1.5			

LED 套, LED 座 LED HOLDER, LED HOUSING

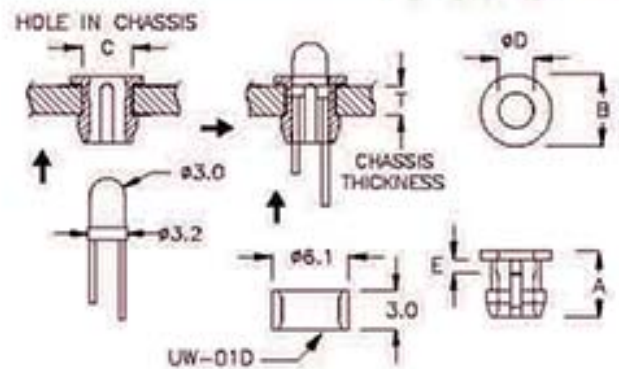
PINGOOD

4-41-1

LED 座 LED HOUSING



MATERIAL: NYLON 66(UL)
FLAME CLASS: 94V-2
COLOR: BLACK



FOR ø3 2PIN LED							
PART NO	A	B	C	D	E	T CHASSIS THICKNESS	PACKAGE
CLED-4A	5.5	ø6.0	ø4.15	3.0	1.1	0.8	2000
CLED-4D	5.8	ø6.0	ø4.2	3.0	2.7	0.8~2.5	

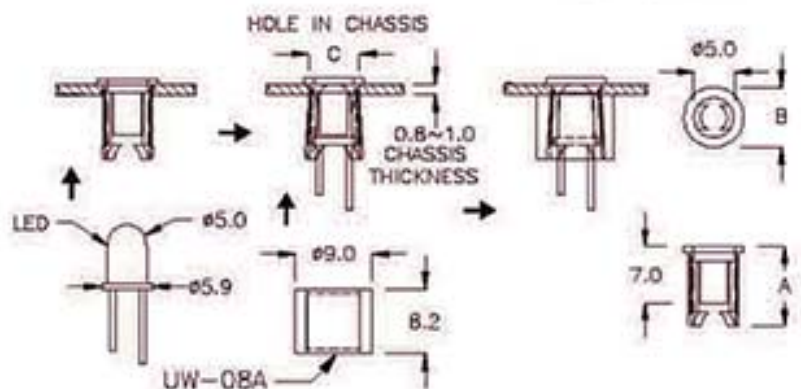
ALSO CAN ASSEMBLE WITH UW-01D(Paeg 13-22-1)

4-41-2

LED 座 LED HOUSING



MATERIAL: NYLON 66(UL)
FLAME CLASS: 94V-2
COLOR: BLACK



FOR ø5 2PIN LED				
PART NO	A	B	C	PACKAGE
CLED-2K	9.9	ø7.4	ø6.4	2000

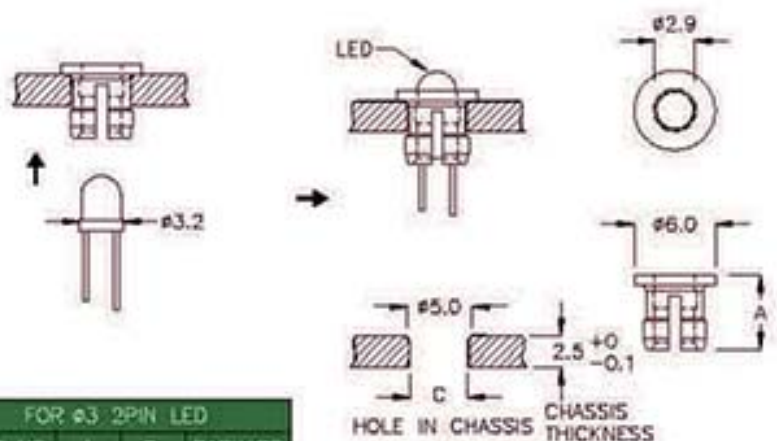
ALSO CAN ASSEMBLE WITH UW-08A(Paeg 13-22-1)

4-41-3

LED 座 LED HOUSING



MATERIAL: NYLON 66(UL)
FLAME CLASS: 94V-2
COLOR: BLACK



FOR ø3 2PIN LED			
PART NO	A	C	PACKAGE
CLED-4	5.5	ø4.3	2000

LED 套, LED 座 LED HOLDER, LED HOUSING

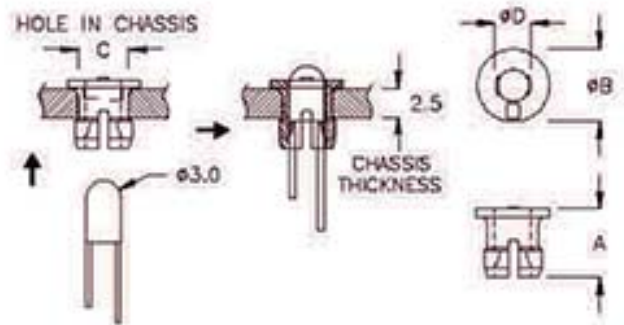
PINGOOD

4-42-1

LED 座 LED HOUSING



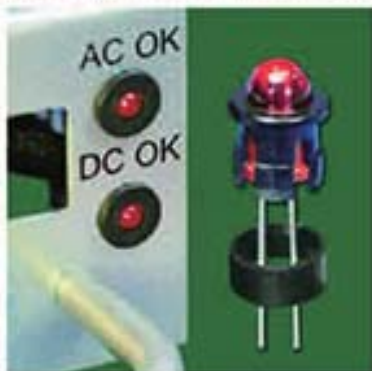
MATERIAL: NYLON 66(UL)
FLAME CLASS: 94V-2
COLOR: BLACK



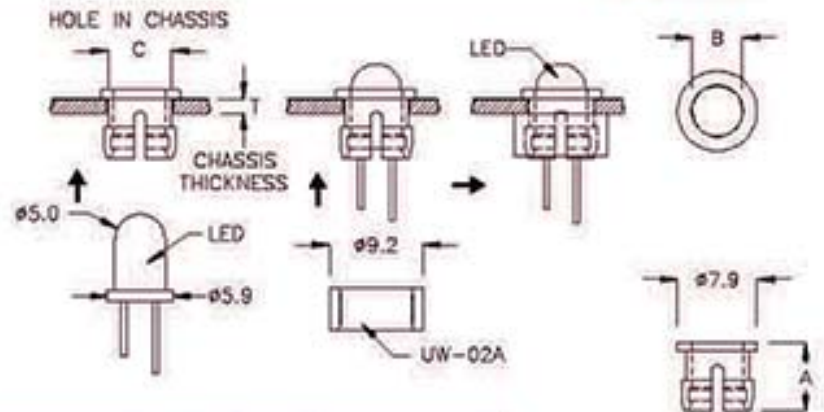
FOR $\phi 3$ 2PIN LED					
PART NO	A	B	C	D	PACKAGE
CLED-4FM	5.7	$\phi 6.0$	$\phi 4.5$	3.0	2000

4-42-2

LED 座 LED HOUSING



MATERIAL: NYLON 66(UL)
FLAME CLASS: 94V-2
COLOR: BLACK



FOR $\phi 5$ 2PIN LED					
PART NO	A	B	C	T	PACKAGE
CLED-5	6.8	$\phi 5.0$	$\phi 6.4$	0.8~2.6	2000
CLED-5A	6.8	$\phi 5.1$	$\phi 6.4$	2.8	

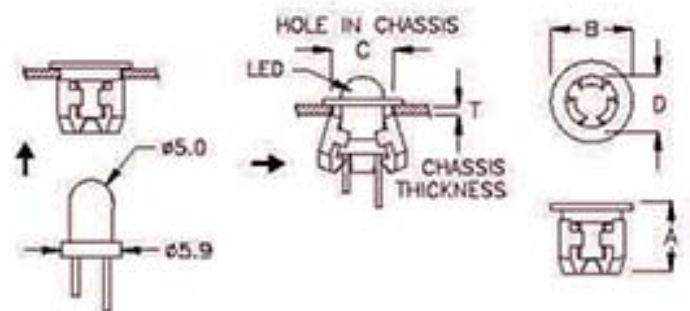
"CLED-5" ALSO CAN ASSEMBLE WITH UW-02A (Page 13-22-1)

4-42-3

LED 座 LED HOUSING



MATERIAL: NYLON 66(UL)
FLAME CLASS: 94V-2
COLOR: BLACK



FOR $\phi 5$ 2PIN LED						
PART NO	A	B	C	T CHASSIS THICKNESS	D	PACKAGE
YLED-5GK	6.9	$\phi 8.0$	$\phi 6.0$	0.8	$\phi 5.0$	2000

LED 套, LED 座 LED HOLDER, LED HOUSING

PINGOOD

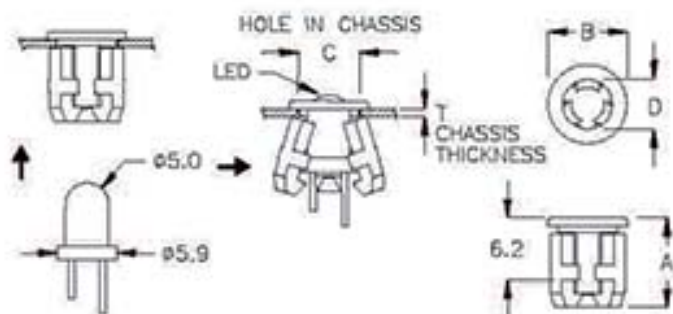
4-43-1

LED 座 LED HOUSING



NEW

MATERIAL: NYLON 66(UL)
FLAME CLASS: 94V-2
COLOR: BLACK



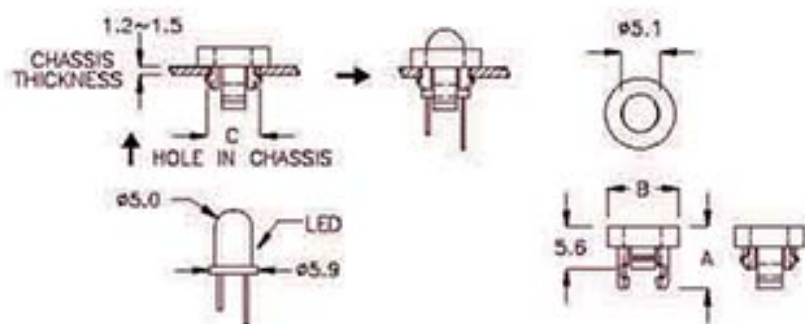
FOR $\phi 5$ 2PIN LED						
PART NO	A	B	C	T CHASSIS THICKNESS	D	PACKAGE
★ GLED-5TC	8.9	$\phi 7.8$	$\phi 7.0$	0.6	$\phi 4.9$	2000

4-43-2

LED 座 LED HOUSING



MATERIAL: NYLON 66(UL)
FLAME CLASS: 94V-2
COLOR: BLACK



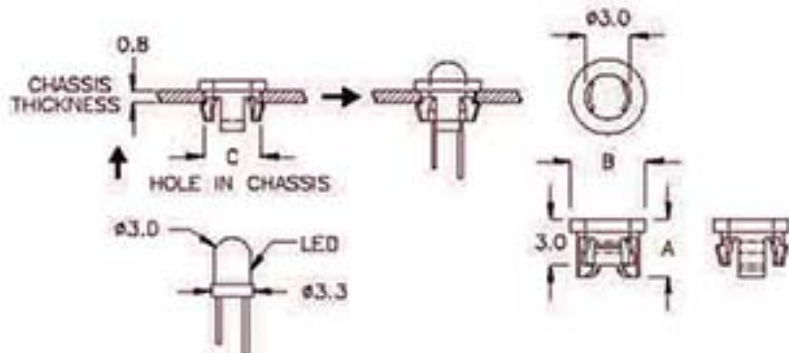
FOR $\phi 5$ 2PIN or 3PIN LED				
PART NO	A	B	C	PACKAGE
GLED-1L	8.2	$\phi 9.5$	$\phi 7.0$	2000

4-43-3

LED 座 LED HOUSING



MATERIAL: NYLON 66(UL)
FLAME CLASS: 94V-2
COLOR: BLACK



FOR $\phi 3$ 2PIN or 3PIN LED				
PART NO	A	B	C	PACKAGE
GLED-2M	3.8	$\phi 5.0$	$\phi 4.3$	2000

LED 套, LED 座 LED HOLDER, LED HOUSING

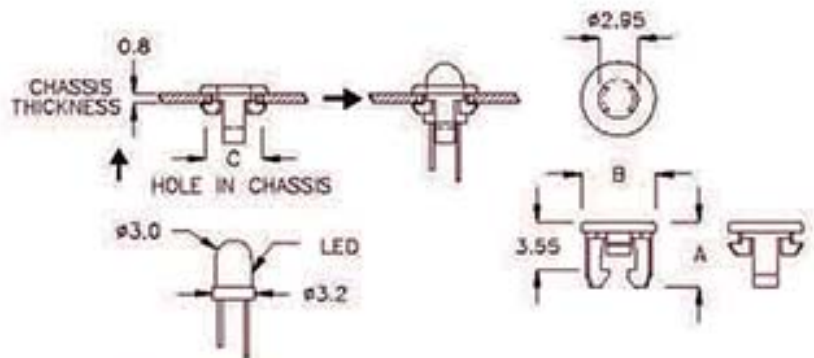
PINGOOD

4-44-1

LED 座 LED HOUSING



MATERIAL: NYLON 66(UL)
FLAME CLASS: 94V-2
COLOR: BLACK



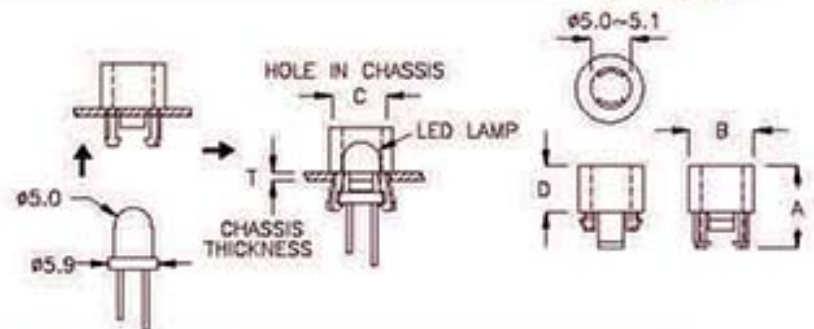
FOR $\phi 3$ 2PIN LED				
PART NO	A	B	C	PACKAGE
CLED-2AJ	4.9	$\phi 5.6$	$\phi 5.0$	2000

4-44-2

LED 座 LED HOUSING



MATERIAL: NYLON 66(UL)
FLAME CLASS: 94V-2
COLOR: BLACK



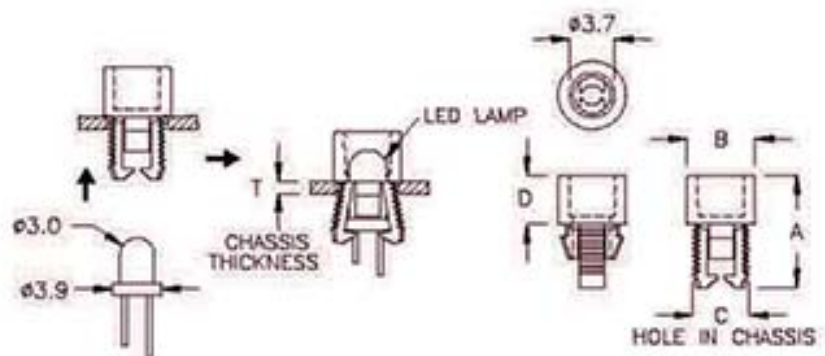
FOR $\phi 5$ 2PIN or 3PIN LED						
PART NO	A	B	C	D	T CHASSIS THICKNESS	PACKAGE
CLED-1M	8.5	$\phi 7.9$	$\phi 6.6$	4.0	0.8~1.0	2000
CLED-1Q	10.3	$\phi 7.9$	$\phi 6.5$	6.1	0.8~1.0	
CLED-1R	13.8	$\phi 7.9$	$\phi 6.5$	9.6	0.8~1.0	
CLED-1FC	9.2	$\phi 7.9$	$\phi 6.5$	5.0	0.8~1.0	

4-44-3

LED 座 LED HOUSING



MATERIAL: NYLON 66(UL)
FLAME CLASS: 94V-2
COLOR: BLACK



FOR $\phi 3$ 2PIN or 3PIN LED						
PART NO	A	B	C	D	T CHASSIS THICKNESS	PACKAGE
CLED-1GK	9.05	$\phi 5.5$	$\phi 4.5$	3.95	0.8	2000

LED 套, LED 座 LED HOLDER, LED HOUSING

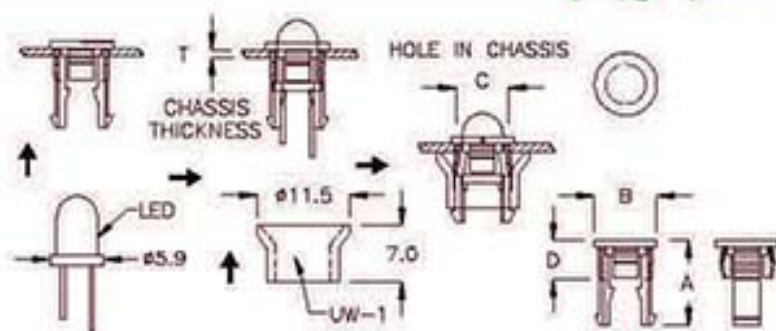
PINGOOD

4-45-1

LED 座 LED HOUSING



MATERIAL: NYLON 66(UL)
FLAME CLASS: 94V-2
COLOR: BLACK



FOR $\phi 5$ 2PIN LED						
PART NO	A	B	C	D	T CHASSIS THICKNESS	PACKAGE
CLED-2	10.5	$\phi 7.8$	$\phi 6.5$	4.85	1.0	2000
CLED-10YS	10.5	$\phi 7.8$	$\phi 6.2$	4.65	0.7~1.0	

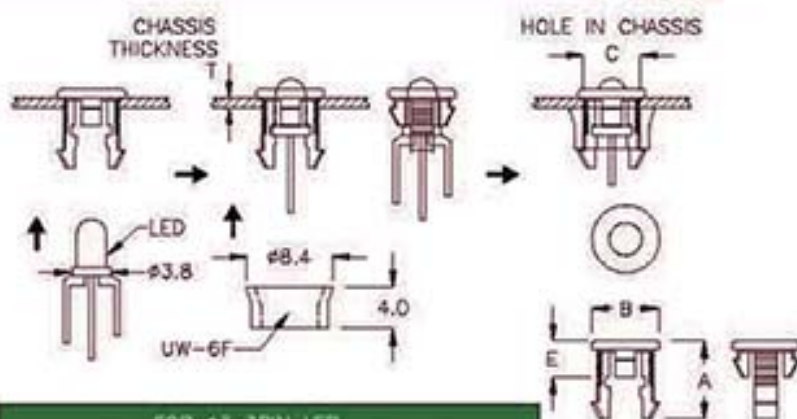
ALSO CAN ASSEMBLE WITH UW-1 (Page 13-21-1)

4-45-2

LED 座 LED HOUSING



MATERIAL: NYLON 66(UL)
FLAME CLASS: 94V-2
COLOR: BLACK



FOR $\phi 3$ 3PIN LED						
PART NO	A	B	C	E	T	PACKAGE
CLED-6D	8.1	$\phi 6.7$	$\phi 5.7$	3.9	1.2	2000
CLED-6F	7.7	$\phi 6.7$	$\phi 5.7$	3.5	0.8	

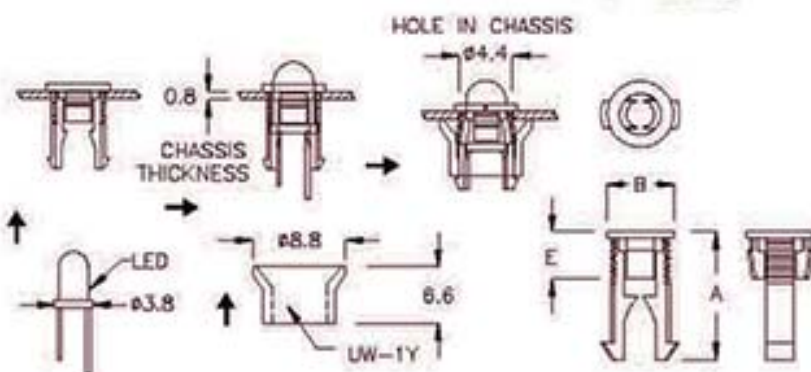
ALSO CAN ASSEMBLE WITH UW-6F (Page 13-21-2)

4-45-3

LED 座 LED HOUSING



MATERIAL: NYLON 66(UL)
FLAME CLASS: 94V-2
COLOR: BLACK



FOR $\phi 3$ 2PIN LED				
PART NO	A	B	E	PACKAGE
CLED-2P	9.35	$\phi 4.9$	3.5	2000

ALSO CAN ASSEMBLE WITH UW-1Y (Page 13-21-1)

LED 套, LED 座 LED HOLDER, LED HOUSING

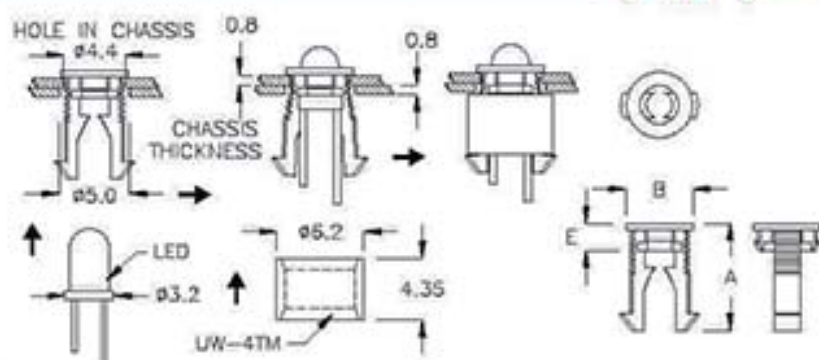
PINGOOD

4-46-1

LED 座 LED HOUSING



MATERIAL: NYLON 66(UL)
FLAME CLASS: 94V-2
COLOR: BLACK



FOR ø3 2PIN LED				
PART NO	A	B	E	PACKAGE
CLED-7WP	7.85	ø4.9	2.0	2000

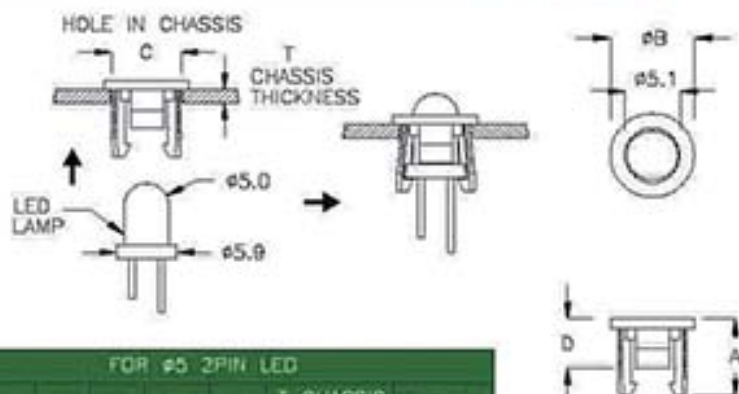
ALSO CAN ASSEMBLE WITH UW-4TM (Page 13-21-3)

4-46-2

LED 座 LED HOUSING



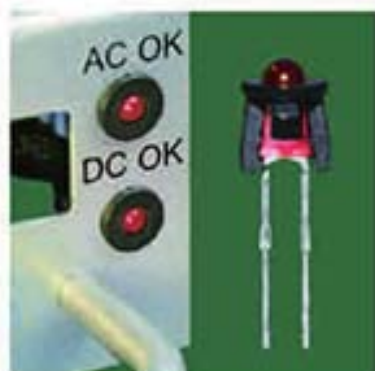
MATERIAL: NYLON 66(UL)
FLAME CLASS: 94V-2
COLOR: BLACK



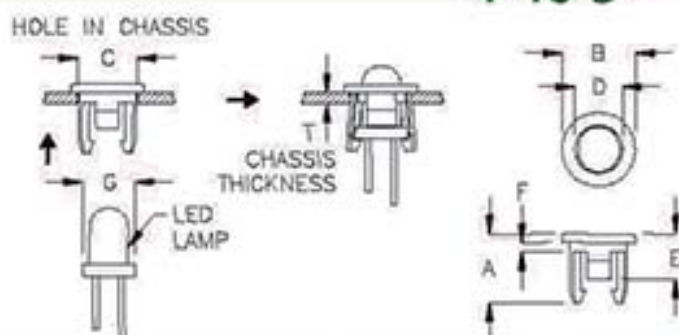
FOR ø5 2PIN LED						
PART NO	A	B	C	D	T CHASSIS THICKNESS	PACKAGE
CLED-1D	8.0	7.8	ø6.7	4.5	0.8~1.1	2000
CLED-4C	6.3	7.8	ø6.0	3.9	0.8~1.1	
CLED-6	8.1	7.8	ø7.0	4.5	0.8~0.9	

4-46-3

LED 座 LED HOUSING



MATERIAL: NYLON 66(UL)
FLAME CLASS: 94V-2
COLOR: BLACK



PART NO	A	B	C	D	E	F	T CHASSIS THICKNESS	G LED LAMP	PACKAGE
CLED-1H	5.0	ø5.5	ø5.0	ø3.0	3.15	0.5	1.0~1.1	ø3.9	2000
CLED-3F	6.4	ø5.5	ø4.5	ø3.0	4.2	0.4	0.8	ø3.9	
★ CLED-3GX	8.15	ø5.5	ø4.5	ø3.0	5.95	2.5	4.0	ø3.3~ø3.5	
CLED-3Q	4.8	ø5.6	ø5.0	ø3.0	2.7	0.4	0.7~0.9	ø3.3~ø3.5	
CLED-2D	5.2	ø5.6	ø5.0	ø3.0	3.1	0.3	0.8	ø3.9	
CLED-1W	5.5	ø5.8	ø4.7	ø3.0	3.0	0.5	1.2~1.3	ø3.9	

LED 套, LED 座 LED HOLDER, LED HOUSING

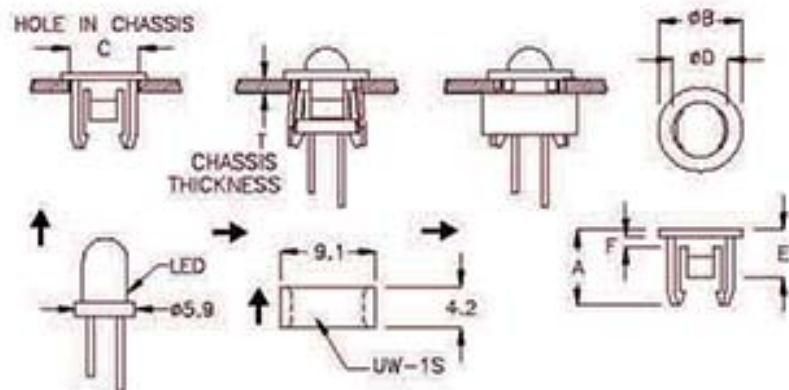
PINGOOD

4-47-1

LED 座 LED HOUSING



MATERIAL: NYLON 66(UL)
FLAME CLASS: 94V-2
COLOR: BLACK



FOR #5 2PIN LED								
PART NO	A	B	C	D	E	F	T	PACKAGE
CLED-1S	7.0	7.8	ø8.2	5.1	4.5	1.0	1.0~1.6	2000
CLED-1T	6.9	7.8	ø8.2	5.1	4.5	1.9	1.0~1.6	
CLED-1U	7.0	7.8	ø8.2	5.1	4.5	0.2	1.0	

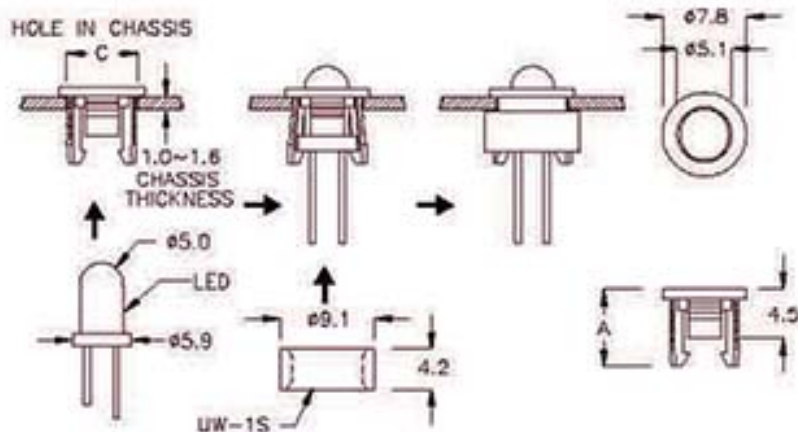
"CLED-1S" ALSO CAN ASSEMBLE WITH UW-1S(Page 13-21-3)

4-47-2

LED 座 LED HOUSING



MATERIAL: NYLON 66(UL)
FLAME CLASS: 94V-2
COLOR: BLACK



FOR #5 2PIN LED			
PART NO	A	C	PACKAGE
CLED-1	7.15	ø6.5	2000
CLED-1A	7.15	ø6.2	

ALSO CAN ASSEMBLE WITH UW-1S(Page 13-21-3)

LED 套, LED 座 LED HOLDER, LED HOUSING

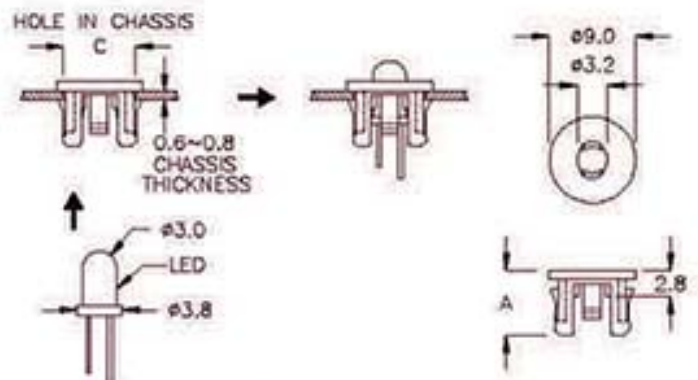
PINGOOD

4-48-1

LED 座 LED HOUSING



MATERIAL: NYLON 66(UL)
FLAME CLASS: 94V-2
COLOR: BLACK



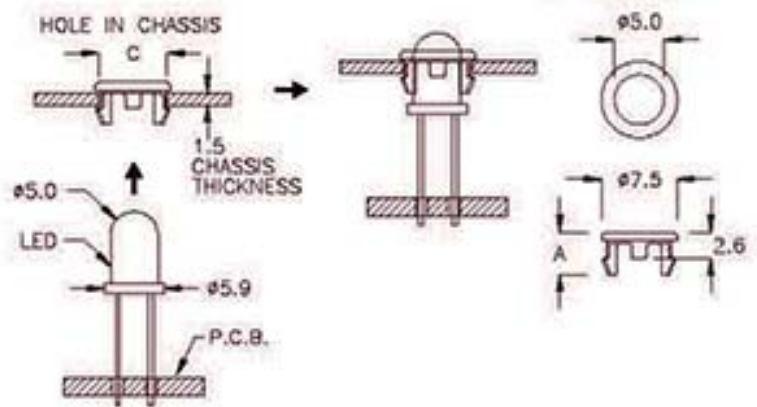
FOR $\phi 3$ 2PIN LED			
PART NO	A	C	PACKAGE
QLED-3AK	6.8	$\phi 7.8$	2000

4-48-2

LED 套 LED HOLDER



MATERIAL: NYLON 66(UL)
FLAME CLASS: 94V-2
COLOR: BLACK



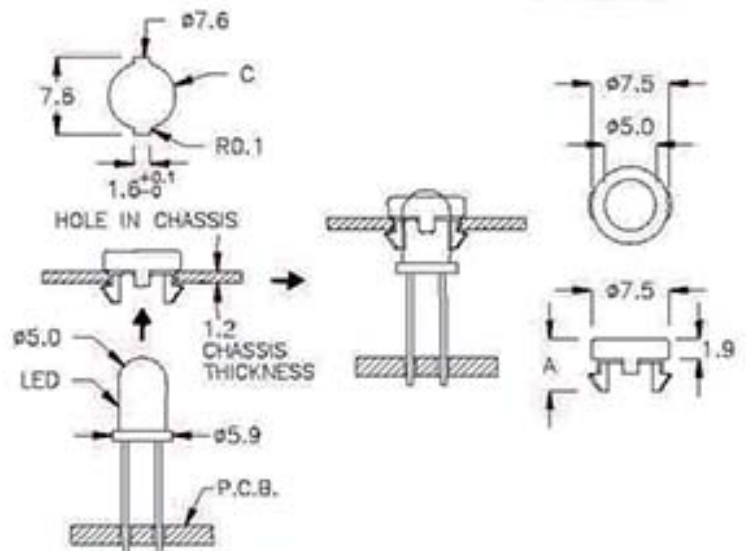
FOR $\phi 5$ 2PIN LED			
PART NO	A	C	PACKAGE
FLED-5C	4.2	$\phi 6.5$	2000

4-48-3

LED 座 LED HOUSING



MATERIAL: NYLON 66(UL)
FLAME CLASS: 94V-2
COLOR: BLACK



FOR $\phi 5$ 2PIN LED			
PART NO	A	C	PACKAGE
FLED-5HK	5.0	$\phi 6.5$	2000

LED 套, LED 座 LED HOLDER, LED HOUSING

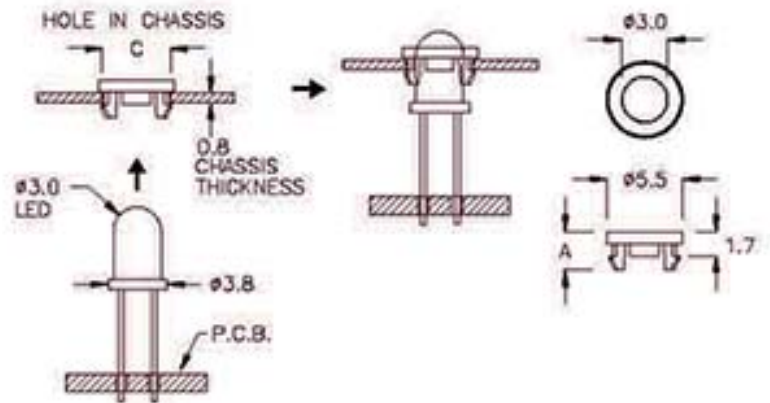
PINGOOD

4-49-1

LED 套 LED HOLDER



MATERIAL: NYLON 66(UL)
FLAME CLASS: 94V-2
COLOR: BLACK



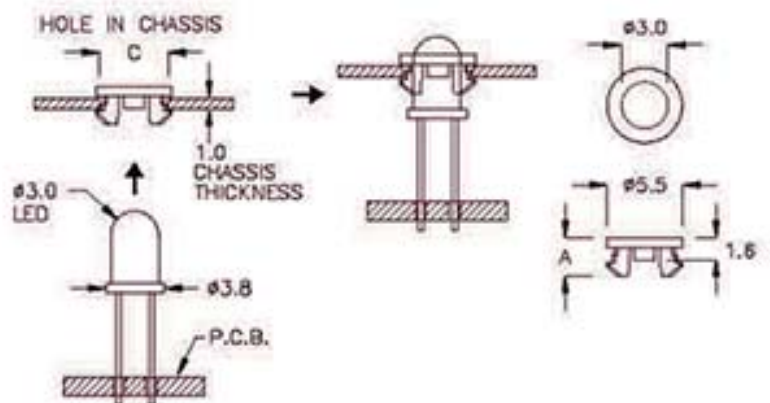
FOR $\phi 3$ 2PIN LED			
PART NO	A	C	PACKAGE
CLA-03	2.7	$\phi 4.7$	2000

4-49-2

LED 套 LED HOLDER



MATERIAL: NYLON 66(UL)
FLAME CLASS: 94V-2
COLOR: BLACK



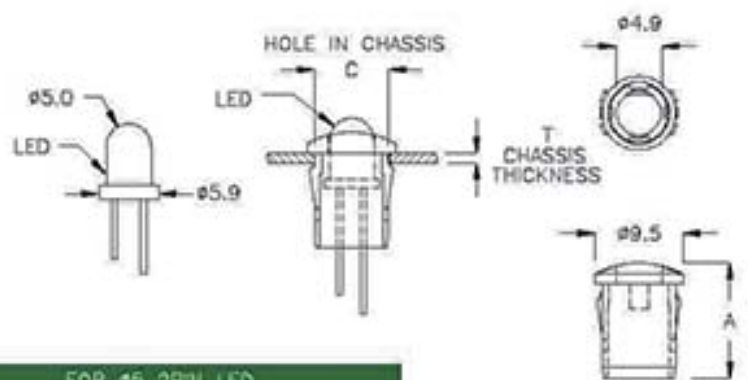
FOR $\phi 3$ 2PIN LED			
PART NO	A	C	PACKAGE
CLA-3AR	2.8	$\phi 4.9$	2000

4-49-3

LED 座 LED HOUSING



MATERIAL: NYLON 66(UL)
FLAME CLASS: 94V-2
COLOR: BLACK



FOR $\phi 5$ 2PIN LED				
PART NO	A	C	T CHASSIS THICKNESS	PACKAGE
EEA-1C	12.2	$\phi 8.0$	0.8~1.5	2000
EEA-12D	12.2	$\phi 8.0$	2.0	

LED 套, LED 座 LED HOLDER, LED HOUSING

PINGOOD

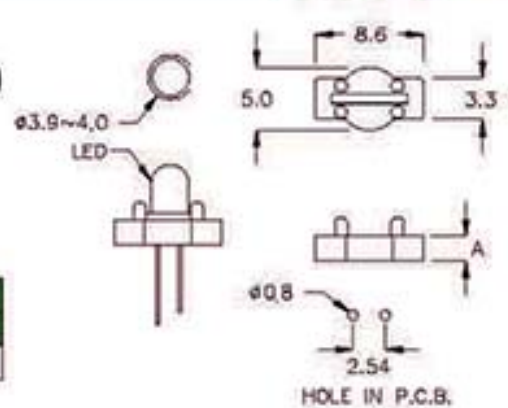
4-50-1



LED 套 LED HOLDER

MATERIAL: NYLON 66(UL)
FLAME CLASS: 94V-2
COLOR: BLACK

FOR $\phi 3$ 2PIN LED		
PART NO	A	PACKAGE
LES-02	2.0	2000



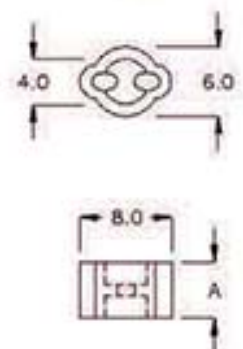
4-50-2



LED 套 LED HOLDER

MATERIAL: NYLON 66(UL)
FLAME CLASS: 94V-2
COLOR: NATURAL

FOR $\phi 5$ 2PIN LED		
PART NO	A	PACKAGE
LES-5	5.0	2000



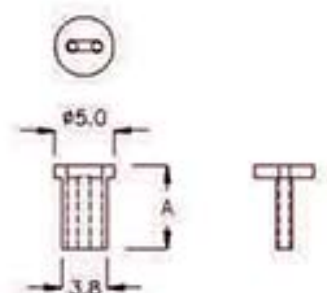
4-50-3



LED 套 LED HOLDER

MATERIAL: NYLON 66(UL)
FLAME CLASS: 94V-2
COLOR: NATURAL

FOR $\phi 5$ 2PIN LED		
PART NO	A	PACKAGE
LEZ-7	7.0	2000



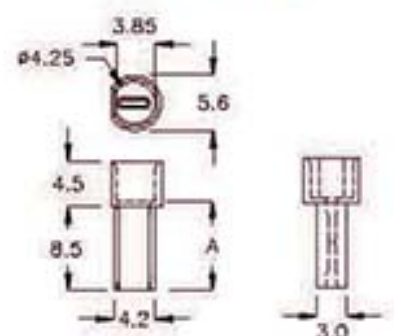
4-50-4



LED 套 LED HOLDER

MATERIAL: NYLON 66(UL)
FLAME CLASS: 94V-2
COLOR: NATURAL

FOR $\phi 3$ 2PIN LED		
PART NO	A	PACKAGE
EQC-09	9.0	500

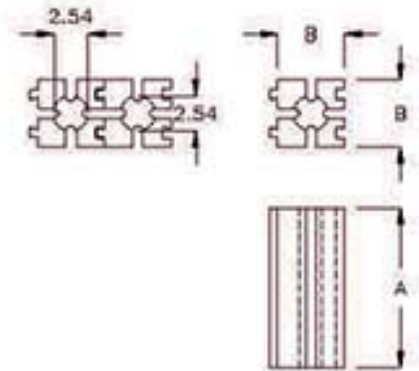




LED 套 LED HOLDER

MATERIAL: NYLON 66(UL)
FLAME CLASS: 94V-2
COLOR: NATURAL, BLACK

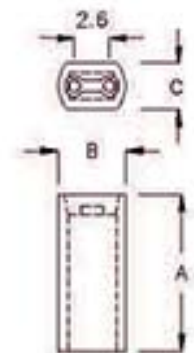
FOR #5 2PIN LED				
PART NO	A	B	PACKAGE	
LEDX-3	3.0	5.0	2000	
LEDX-4	4.0			
LEDX-5	5.0			
LEDX-6	6.0			
LEDX-7	7.0			
LEDX-8	8.0	5.0	1000	
LEDX-9	9.0			
LEDX-10	10.0			
LEDX-11	11.0			
LEDX-12	12.0			



LED 套 LED HOLDER

MATERIAL: NYLON 66(UL)
FLAME CLASS: 94V-2
COLOR: NATURAL

FOR #5 2PIN LED				
PART NO	A	B	C	PACKAGE
QBF-15	15.0	5.0	3.4	1000

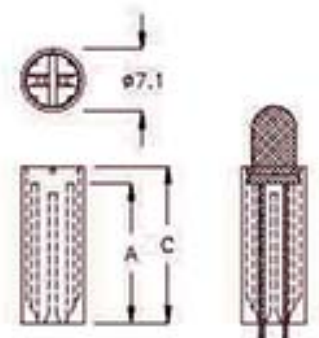


LED 套 LED HOLDER

MATERIAL: NYLON 66(UL)
FLAME CLASS: 94V-2
COLOR: NATURAL

Build-in Clamp Function

FOR #5 2PIN LED			
PART NO	A	C	PACKAGE
LED-18	16.0	18.0	1000



LED 套, LED 座 LED HOLDER, LED HOUSING

PINGOOD

4-52-1

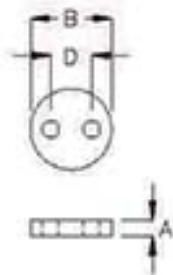


LED 套 LED HOLDER

MATERIAL: NYLON 66(UL)
FLAME CLASS: 94V-2
COLOR: NATURAL



FOR #5 2PIN LED				
PART NO	A	B	D	PACKAGE
★ LED3-1TF	1.0	∅5.0	2.54	2000



4-52-2



LED 套 LED HOLDER

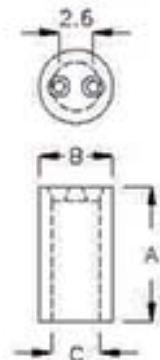
MATERIAL: NYLON 66(UL)
FLAME CLASS: 94V-2
COLOR: NATURAL

*LED HOLDER WITH CONCAVE

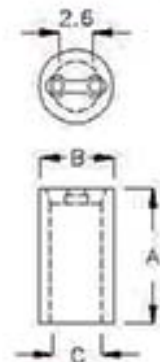
*: 表 LED 套開凹槽

FOR #5 2PIN LED				
PART NO	A	B	C	PACKAGE
* LED-2A	2.0	∅5.0	∅3.6	2000
* LED-2.5A	2.5	∅5.0	∅3.6	
* LED-3A	3.0	∅5.0	∅3.6	
* LED-3.5	3.5	∅5.0	∅3.6	
* LED-4C	4.0	∅5.0	∅3.6	
* LED-4.5A	4.5	∅5.0	∅3.6	
* LED-5A	5.0	∅5.0	∅3.6	
* LED-5.5	5.5	∅5.0	∅3.6	
* LED-6A	6.0	∅5.0	∅3.6	
* LED-6.5A	6.5	∅5.0	∅3.6	
* LED-7	7.0	∅5.0	∅3.6	1000
* LED-7.5A	7.5	∅5.0	∅3.6	
* LED-7.9	7.9	∅5.0	∅3.6	
* LED-8.5A	8.5	∅5.0	∅3.6	
* LED-9	9.0	∅5.0	∅3.6	
LED-9.5	9.5	∅5.0	∅3.5	
* LED-10	10.0	∅5.0	∅3.5	
* LED-10.6	10.7	∅5.1	∅3.6	
LED-11	11.0	∅5.0	∅3.8	
* LED-12A	12.0	∅5.0	∅3.2	
* LED-13	13.0	∅5.0	∅3.6	
* LED-13.8	13.8	∅5.0	∅3.7	
LED-14	14.0	∅5.0	∅3.7	
* LED-14A	14.0	∅5.0	∅3.7	
* LED-15A	15.2	∅5.0	∅3.7	
* LED-16	16.0	∅5.0	∅3.7	
* LED-16A	16.4	∅5.0	∅3.7	
* LED-18B	18.3	∅5.1	∅3.5	
* LED-19	19.0	∅5.0	∅3.9	
* LED-20	20.2	∅5.0	∅3.8	
LED-21	21.0	∅5.1	∅3.8	
* LED-22	22.0	∅5.1	∅3.9	
* LED-23	23.0	∅5.1	∅3.8	

LED 套無凹槽



* LED 套開凹槽



FOR #5 2PIN LED				
PART NO	A	B	C	PACKAGE
LED-2	2.2	∅5.6	∅3.8	2000
LED-2.5	2.6	∅5.9	∅3.8	
LED-3	3.2	∅5.6	∅3.8	
* LED-3.6	3.6	∅5.6	∅3.8	
LED-4	4.1	∅5.6	∅3.8	
* LED-4.5	4.5	∅5.6	∅3.8	
* LED-5	5.0	∅5.6	∅3.8	
* LED-6	6.0	∅5.6	∅3.8	
* LED-6S	6.0	∅5.7	∅3.8	
* LED-6.8	6.8	∅5.6	∅3.8	
LED-7.5	7.5	∅5.6	∅3.8	1000
* LED-8	8.0	∅5.6	∅3.8	
LED-8.8	8.8	∅5.6	∅3.8	
LED-9.8	9.8	∅5.6	∅3.8	
* LED-10A	10.0	∅5.9	∅3.9	
* LED-11A	11.0	∅5.8	∅3.8	
LED-12	12.0	∅5.8	∅3.9	
LED-15	15.0	∅5.6	∅3.9	
* LED-17	17.0	∅5.6	∅3.9	
LED-18.5	18.5	∅5.7	∅3.9	
LED-24	24.0	∅5.8	∅3.9	500
LED-37	37.5	∅5.8	∅3.9	

LED 套, LED 座 LED HOLDER, LED HOUSING

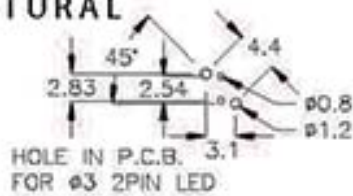
PINGOOD

4-54-1



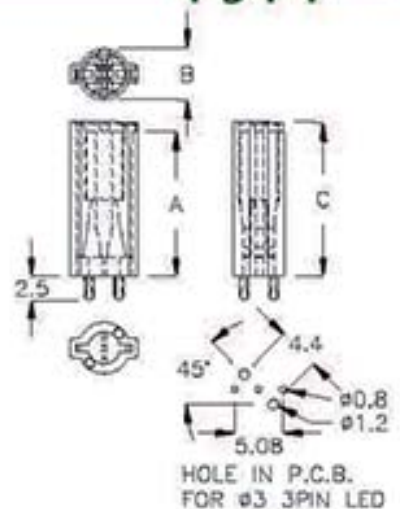
LED座 LED HOUSING

MATERIAL: NYLON 66(UL)
FLAME CLASS: 94V-2
COLOR: NATURAL



Build-in Clamp Function

FOR #3 2PIN or 3PIN LED					
PART NO	A	B	C	PACKAGE	
EQF-19	19.0	φ5.4	20.0	1000	



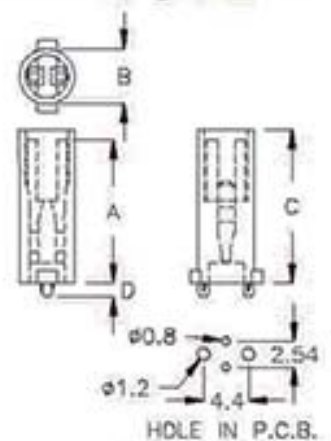
4-54-2



LED座 LED HOUSING

MATERIAL: NYLON 66(UL)
FLAME CLASS: 94V-2
COLOR: NATURAL

FOR #3 2PIN LED					
PART NO	A	B	C	D	PACKAGE
EQH-14	14.0	φ5.4	15.0	1.4	1000
EQH-17	17.0	φ5.4	18.0	1.8	
EQH-21	21.0	φ5.4	22.0	1.8	



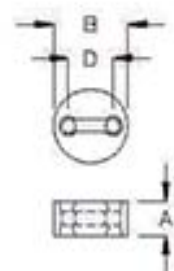
4-54-3



LED套 LED HOLDER

MATERIAL: NYLON 66(UL)
FLAME CLASS: 94V-2
COLOR: NATURAL

FOR #3 2PIN LED				
PART NO	A	B	D	PACKAGE
LED3-2A	2.0	φ4.2	2.54	2000



4-54-4

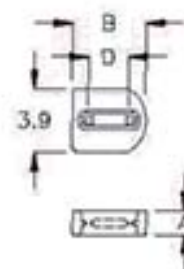


LED套 LED HOLDER

MATERIAL: NYLON 66(UL)
FLAME CLASS: 94V-2
COLOR: NATURAL

Build-in Clamp Function

FOR #3 2PIN LED				
PART NO	A	B	D	PACKAGE
LED3-1SQ	1.5	4.5	2.54	2000



LED 套, LED 座 LED HOLDER, LED HOUSING

PINGOOD

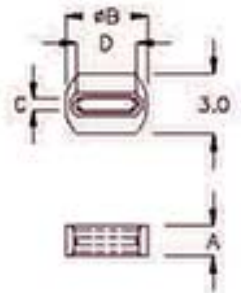
4-55-1



LED 套 LED HOLDER

MATERIAL: NYLON 66(UL)
FLAME CLASS: 94V-2
COLOR: NATURAL

FOR $\phi 3$ 2PIN LED					
PART NO.	A	B	C	D	PACKAGE
LED3-1D	1.5	4.2	0.5	3.0	2000
LED3-9K	9.0	4.2	0.5	3.0	



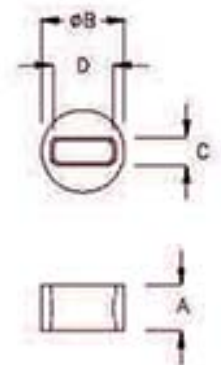
4-55-2



LED 套 LED HOLDER

MATERIAL: NYLON 66(UL)
FLAME CLASS: 94V-2
COLOR: NATURAL, BLACK

FOR $\phi 3$ 2PIN LED					
PART NO.	A	B	C	D	PACKAGE
LED3-1A	1.5	4.2	0.8	3.0	2000
LED3-1B	1.6	4.0	0.7	3.05	
LED3-1C	0.8	4.2	1.0	3.0	
LED3-2B	2.3	4.2	1.1	3.05	
LED3-2.5	2.5	4.1	1.25	3.05	
LED3-3B	3.3	4.2	1.0	3.05	



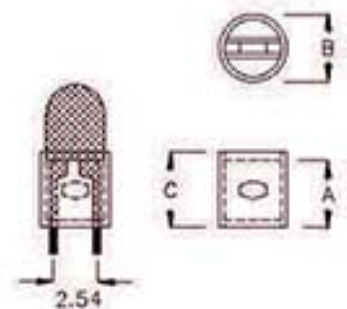
4-55-3



LED 套 LED HOLDER

MATERIAL: NYLON 66(UL)
FLAME CLASS: 94V-2
COLOR: NATURAL

FOR $\phi 3$ 2PIN LED					
PART NO.	A	B	C	PACKAGE	
LED3-4M	4.0	$\phi 4.2$	4.5	2000	



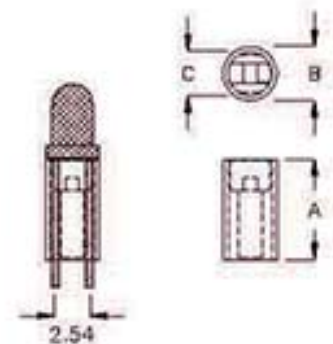
4-55-4



LED 套 LED HOLDER

MATERIAL: NYLON 66(UL)
FLAME CLASS: 94V-2
COLOR: NATURAL

FOR $\phi 3$ 2PIN LED					
PART NO.	A	B	C	PACKAGE	
LED3-4DK	4.0	$\phi 4.0$	$\phi 3.5$	2000	
LED3-6DC	6.0	$\phi 4.0$	$\phi 3.5$		
LED3-7K	7.5	$\phi 4.0$	$\phi 3.3$		



LED 套, LED 座 LED HOLDER, LED HOUSING

PINGOOD

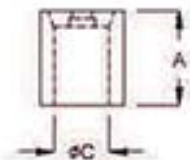
4-56-1

LED 套 LED HOLDER



MATERIAL: NYLON 66(UL)
FLAME CLASS: 94V-2
COLOR: NATURAL

FOR $\phi 3$ 2PIN LED				
PART NO	A	B	C	PACKAGE
LED-3B	3.8	4.1	3.1	2000
LED-4A	4.1	4.1	3.1	



4-56-2

LED 套 LED HOLDER



MATERIAL: NYLON 66(UL)
FLAME CLASS: 94V-2
COLOR: NATURAL

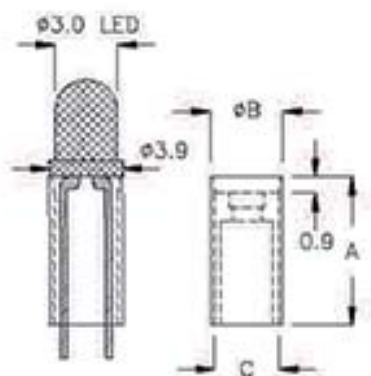
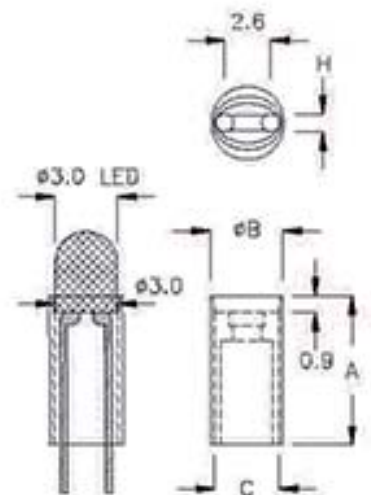
打*表LED套H:打橢圓孔

* LED HOLDER WITH AN OVAL HOLE "H"

FOR $\phi 3$ 2PIN LED				
PART NO	A	B	C	PACKAGE
LED3-3S	2.8	4.2	3.5	2000
LED3-3	3.0	4.2	3.6	
LED3-3A	3.5	4.2	3.5	
*LED3-4	4.0	4.2	3.5	
LED3-4A	4.5	4.2	3.5	
LED3-5	5.0	4.2	3.5	
LED3-5B	5.5	4.2	3.5	
LED3-6	6.1	4.2	3.5	
*LED3-6B	6.5	4.2	3.5	
LED3-7	7.0	4.2	3.5	
LED3-7B	7.6	4.2	3.5	
LED3-8	8.0	4.2	3.6	
LED3-8B	8.5	4.2	3.6	
LED3-9	9.0	4.2	3.6	
LED3-9A	9.2	4.2	3.6	
LED3-9B	9.5	4.2	3.6	
LED3-10	10.0	4.2	3.6	
LED3-11	11.1	4.2	3.5	
LED3-12	12.0	4.2	3.5	
*LED3-12B	12.5	4.2	3.6	
LED3-13	13.0	4.2	3.5	
LED3-14	14.0	4.2	3.6	
*LED3-15	15.0	4.2	3.5	
LED3-15A	15.0	4.1	3.6	
LED3-16	16.0	4.2	3.5	
*LED3-17	17.0	4.2	3.5	
LED3-18	18.0	4.2	3.5	
*LED3-18B	18.5	4.2	3.5	
LED3-19	19.0	4.2	3.5	
*LED3-20	20.0	4.2	3.5	
*LED3-21	21.0	4.2	3.5	
*LED3-22	22.0	4.2	3.5	
LED3-23	23.0	4.2	3.5	
LED3-25	25.0	4.4	3.5	

2000

1000



LED 套, LED 座 LED HOLDER, LED HOUSING

PINGOOD

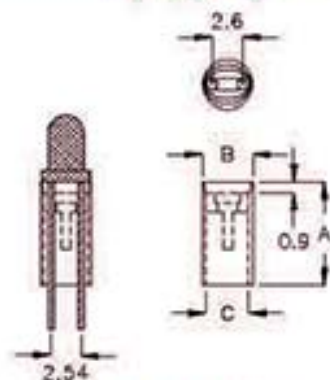
4-57-1



LED 套 LED HOLDER

MATERIAL: NYLON 66(UL)
FLAME CLASS: 94V-2
COLOR: NATURAL

FOR $\phi 3$ 2PIN LED				
PART NO	A	B	C	PACKAGE
LED3-8F	8.5	$\phi 4.2$	$\phi 3.6$	2000



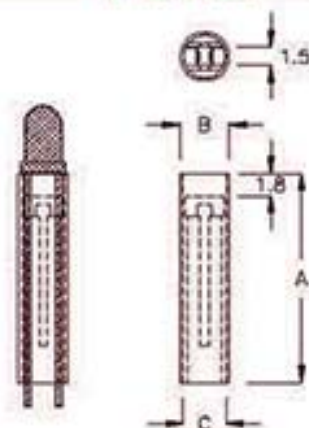
4-57-2



LED 套 LED HOLDER

MATERIAL: NYLON 66(UL)
FLAME CLASS: 94V-2
COLOR: NATURAL

FOR $\phi 3$ 2PIN LED				
PART NO	A	B	C	PACKAGE
LED3-17K	17.1	$\phi 4.0$	$\phi 3.5$	1000



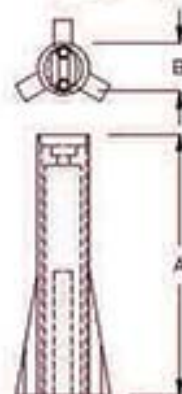
4-57-3



LED 套 LED HOLDER

MATERIAL: NYLON 66(UL)
FLAME CLASS: 94V-2
COLOR: NATURAL

FOR $\phi 3$ 2PIN LED				
PART NO	A	B	PACKAGE	
LED3-21F	21.0	$\phi 4.2$	1000	



4-57-4

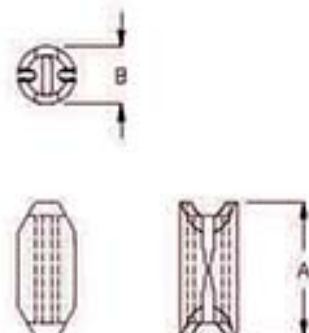


LED 套 LED HOLDER

MATERIAL: NYLON 66(UL)
FLAME CLASS: 94V-2
COLOR: NATURAL

Build-in Clamp Function

FOR $\phi 3$ 2PIN LED				
PART NO	A	B	PACKAGE	
EET-10	10.0	$\phi 4.25$	2000	



LED 套, LED 座 LED HOLDER, LED HOUSING

PINGOOD

4-58-1

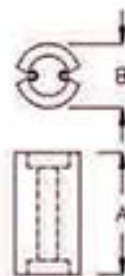
LED 套 LED HOLDER



MATERIAL: NYLON 66(UL)
FLAME CLASS: 94V-2
COLOR: NATURAL, BLACK

Build-in Clamp Function

FOR $\phi 3$ & $\phi 5$ 2PIN LED			
PART NO	A	B	PACKAGE
EDG-10	10.0	$\phi 5.2$	2000



4-58-2

LED 套 LED HOLDER



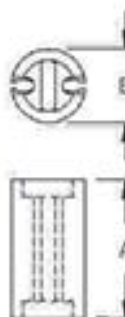
MATERIAL: NYLON 66(UL)
FLAME CLASS: 94V-2
COLOR: NATURAL, BLACK

Build-in Clamp Function

FOR $\phi 3$ or $\phi 5$ 2PIN LED			
PART NO	A	B	PACKAGE
EDP-02	2.0	$\phi 4.25$	2000
EDP-2M	2.5	$\phi 4.25$	
EDP-3M	3.5	$\phi 4.25$	
EDP-04	4.0	$\phi 4.25$	
EDP-4A	4.5	$\phi 4.25$	
EDP-05	5.0	$\phi 4.25$	
EDP-5A	5.5	$\phi 4.25$	
EDP-06	6.0	$\phi 4.25$	

Build-in Clamp Function

FOR $\phi 3$ or $\phi 5$ 2PIN LED			
PART NO	A	B	PACKAGE
EDP-6A	6.5	$\phi 4.25$	2000
EDP-07	7.0	$\phi 4.25$	
EDP-7A	7.5	$\phi 4.25$	
EDP-08	8.0	$\phi 4.25$	
EDP-8A	8.5	$\phi 4.25$	
EDP-09	9.0	$\phi 4.25$	
EDP-9A	9.5	$\phi 4.25$	
EDP-10	10.0	$\phi 4.25$	
EDP-10A	10.5	$\phi 4.25$	
EDP-11	11.0	$\phi 4.25$	
EDP-11A	11.5	$\phi 4.25$	
EDP-12	12.0	$\phi 4.25$	
EDP-12A	12.5	$\phi 4.25$	
EDP-17	17.0	$\phi 4.25$	



4-58-3

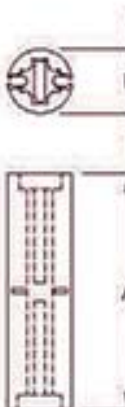
LED 套 LED HOLDER



MATERIAL: NYLON 66(UL)
FLAME CLASS: 94V-2
COLOR: NATURAL, BLACK

Build-in Clamp Function

FOR $\phi 3$ & $\phi 5$ 2PIN LED			
PART NO	A	B	PACKAGE
EDP-23	23.0	$\phi 4.25$	1000



LED 套, LED 座 LED HOLDER, LED HOUSING

PINGOOD

4-59-1

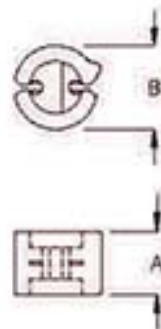
LED 套 LED HOLDER



MATERIAL: NYLON 66(UL)
FLAME CLASS: 94V-2
COLOR: NATURAL, BLACK

Build-in Clamp Function

FOR $\phi 3$ & $\phi 5$ 2PIN LED			
PART NO	A	B	PACKAGE
EDD-4FQ	4.0	$\phi 5.2$	2000



4-59-2

LED 套 LED HOLDER



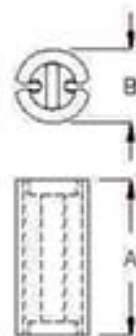
MATERIAL: NYLON 66(UL)
FLAME CLASS: 94V-2
COLOR: NATURAL, BLACK

Build-in Clamp Function

FOR $\phi 3$ or $\phi 5$ 2PIN LED			
PART NO	A	B	PACKAGE
EDG-02	2.0	$\phi 5.2$	2000
EDG-2M	2.5	$\phi 5.2$	
EDG-3M	3.5	$\phi 5.2$	
EDG-04	4.0	$\phi 5.2$	
EDG-4A	4.5	$\phi 5.2$	
EDG-05	5.0	$\phi 5.2$	
EDG-5A	5.5	$\phi 5.2$	

Build-in Clamp Function

FOR $\phi 3$ or $\phi 5$ 2PIN LED			
PART NO	A	B	PACKAGE
EDG-06	6.0	$\phi 5.2$	2000
EDG-6A	6.5	$\phi 5.2$	
EDG-07	7.0	$\phi 5.2$	
EDG-7A	7.5	$\phi 5.2$	
EDG-08	8.0	$\phi 5.2$	
EDG-8A	8.5	$\phi 5.2$	
EDG-09	9.0	$\phi 5.2$	
EDG-9A	9.5	$\phi 5.2$	
EDG-10A	10.0	$\phi 5.2$	
EDG-10C	10.5	$\phi 5.2$	
EDG-11	11.0	$\phi 5.2$	
EDG-11A	11.5	$\phi 5.2$	
EDG-12	12.0	$\phi 5.2$	
EDG-12A	12.5	$\phi 5.2$	



4-59-3

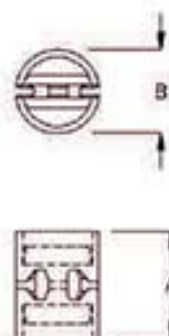
LED 套 LED HOLDER



MATERIAL: NYLON 66(UL)
FLAME CLASS: 94V-2
COLOR: NATURAL, BLACK

Build-in Clamp Function

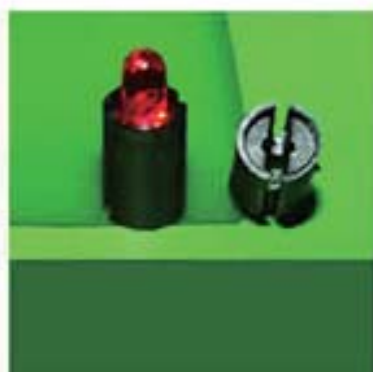
FOR $\phi 3$ 3PIN LED			
PART NO	A	B	PACKAGE
ECW-06	7.0	$\phi 5.4$	2000



LED 套, LED 座 LED HOLDER, LED HOUSING

PINGOOD

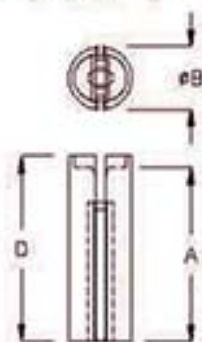
4-60-1



LED 套 LED HOLDER

MATERIAL: NYLON 66(UL)
FLAME CLASS: 94V-2
COLOR: BLACK

FOR $\phi 3$ 3PIN LED				
PART NO	A	B	D	PACKAGE
EEP-15	15.0	$\phi 5.4$	16.0	2000



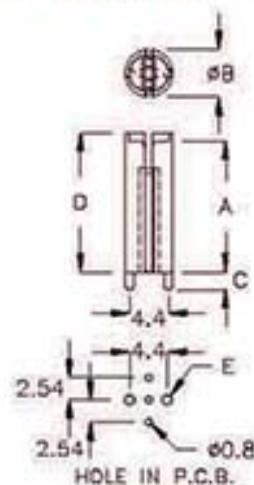
4-60-2



LED 套 LED HOLDER

MATERIAL: NYLON 66(UL)
FLAME CLASS: 94V-2
COLOR: BLACK

FOR $\phi 3$ 3PIN LED						
PART NO	A	B	C	D	E	PACKAGE
EEG-08	7.0	$\phi 5.4$	1.5	8.0	$\phi 1.05$	2000
EEG-15	15.0	$\phi 5.4$	2.0	16.0	$\phi 1.10$	1000



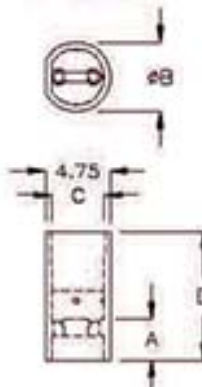
4-60-3



LED 套 LED HOLDER

MATERIAL: NYLON 66(UL)
FLAME CLASS: 94V-2
COLOR: BLACK

FOR $\phi 3$ 2PIN LED					
PART NO	A	B	C	D	PACKAGE
QLW-02	2.0	$\phi 5.0$	$\phi 4.1$	7.9	2000
QLW-2A	2.0	$\phi 5.0$	$\phi 4.1$	6.6	
QLW-03	4.5	$\phi 5.0$	$\phi 4.1$	10.0	



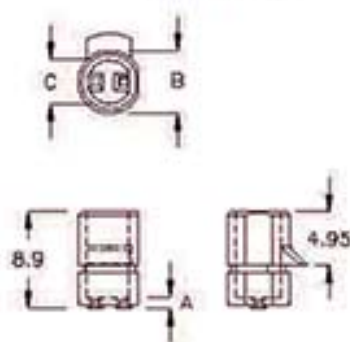
4-60-4



LED 套 LED HOLDER

MATERIAL: NYLON 66(UL)
FLAME CLASS: 94V-2
COLOR: BLACK

FOR $\phi 3$ 2PIN LED				
PART NO	A	B	C	PACKAGE
ODA-3A0	1.1	$\phi 5.8$	$\phi 4.1$	2000



LED 套, LED 座 LED HOLDER, LED HOUSING

PINGOOD

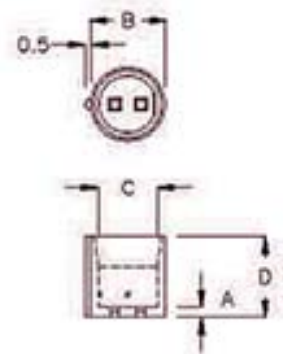
4-61-1



LED 套 LED HOLDER

MATERIAL: NYLON 66(UL)
FLAME CLASS: 94V-2
COLOR: BLACK

FOR $\phi 5$ 2PIN LED					
PART NO	A	B	C	D	PACKAGE
QLS-1A	1.0	$\phi 7.4$	$\phi 5.9$	8.0	2000



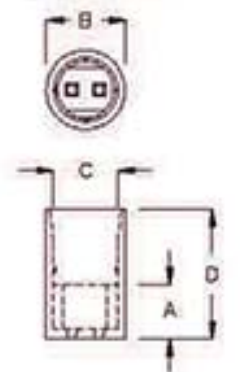
4-61-2



LED 套 LED HOLDER

MATERIAL: NYLON 66(UL)
FLAME CLASS: 94V-2
COLOR: BLACK

FOR $\phi 5$ 2PIN LED					
PART NO	A	B	C	D	PACKAGE
QLS-05	5.0	$\phi 7.4$	$\phi 6.0$	12.0	2000



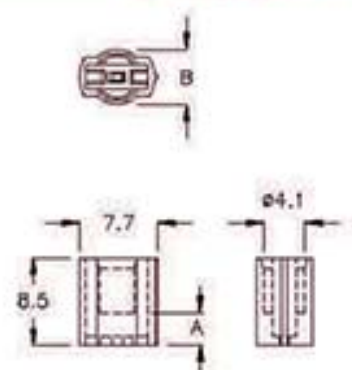
4-61-3



LED 套 LED HOLDER

MATERIAL: NYLON 66(UL)
FLAME CLASS: 94V-2
COLOR: BLACK

FOR $\phi 3$ 3PIN LED			
PART NO	A	B	PACKAGE
QBU-03	3.1	$\phi 5.4$	2000



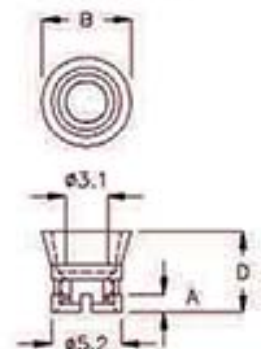
4-61-4



LED 套 LED HOLDER

MATERIAL: NYLON 66(UL)
FLAME CLASS: 94V-2
COLOR: BLACK

FOR $\phi 3$ 3PIN LED				
PART NO	A	B	D	PACKAGE
QLH-01	1.35	$\phi 6.6$	6.0	2000



LED 套, LED 座 LED HOLDER, LED HOUSING

PINGOOD

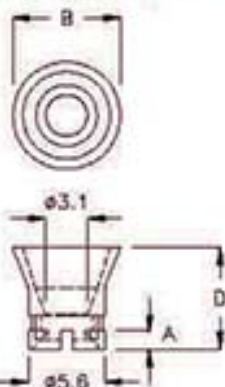
4-62-1



LED 套 LED HOLDER

MATERIAL: NYLON 66(UL)
FLAME CLASS: 94V-2
COLOR: BLACK

FOR $\phi 3$ 3PIN LED					
PART NO	A	B	D	PACKAGE	
QLH-2A	1.35	$\phi 8.0$	7.5	2000	



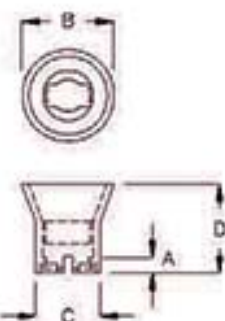
4-62-2



LED 套 LED HOLDER

MATERIAL: NYLON 66(UL)
FLAME CLASS: 94V-2
COLOR: BLACK

FOR $\phi 3$ 3PIN LED					
PART NO	A	B	C	D	PACKAGE
QLM-3AF	1.3	$\phi 8.0$	$\phi 5.6$	7.7	2000
QLM-3CF	1.3	$\phi 6.6$	$\phi 5.2$	6.0	



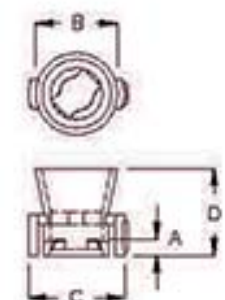
4-62-3



LED 座 LED HOUSING

MATERIAL: NYLON 66(UL)
FLAME CLASS: 94V-2
COLOR: BLACK

FOR $\phi 3$ 3PIN LED					
PART NO	A	B	C	D	PACKAGE
QLP-3CA	1.3	$\phi 8.0$	8.4	7.7	2000
QLP-3FG	1.3	$\phi 6.6$	7.8	7.0	



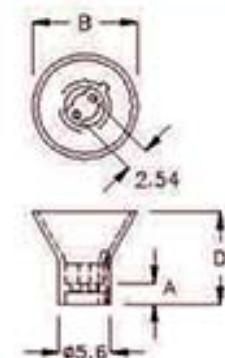
4-62-4



LED 座 LED HOUSING

MATERIAL: NYLON 66(UL)
FLAME CLASS: 94V-2
COLOR: BLACK

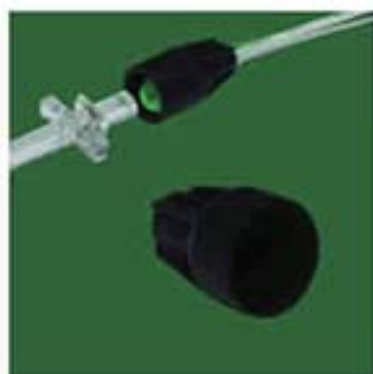
FOR $\phi 3$ 2PIN LED				
PART NO	A	B	D	PACKAGE
QLR-3KH	2.35	11.5	10.2	2000



LED 套, LED 座 LED HOLDER, LED HOUSING

PINGOOD

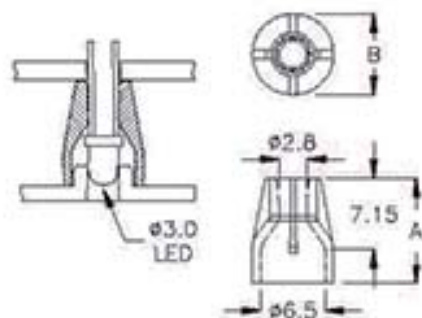
4-63-1



LED 套 LED HOLDER

MATERIAL: TPE
COLOR: BLACK

FOR $\phi 3$ 2PIN LED			
PART NO	A	B	PACKAGE
MTD-13HK	10.5	$\phi 8.1$	1000



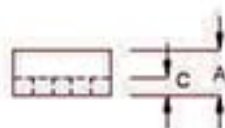
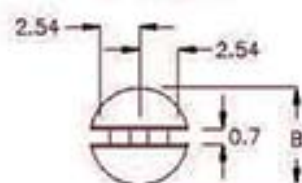
4-63-2



LED 套 LED HOLDER

MATERIAL: NYLON 66(UL)
FLAME CLASS: 94V-2
COLOR: NATURAL

FOR $\phi 5$ 3PIN LED				
PART NO	A	B	C	PACKAGE
LED-1x3A	1.6	$\phi 7.4$	0.5	2000



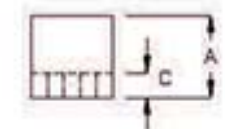
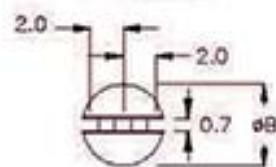
4-63-3



LED 套 LED HOLDER

MATERIAL: NYLON 66(UL)
FLAME CLASS: 94V-2
COLOR: NATURAL

FOR $\phi 3$ 3PIN LED				
PART NO	A	B	C	PACKAGE
LED-3x3A	3.0	5.0	1.0	2000
LED-4x3A	4.0	5.0	1.0	
LED-5x3A	5.0	5.0	1.5	
LED-50x3A	5.5	5.0	1.5	1000
LED-14x3A	14.0	5.0	9.0	



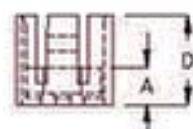
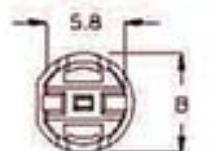
4-63-4



LED 套 LED HOLDER

MATERIAL: NYLON 66(UL)
FLAME CLASS: 94V-2
COLOR: NATURAL

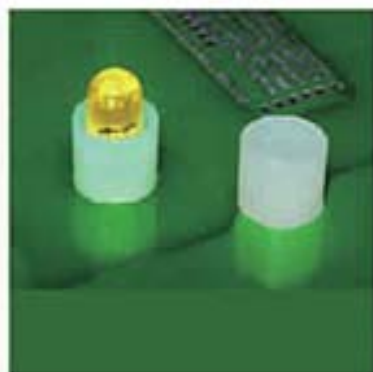
FOR $\phi 5$ 3PIN LED				
PART NO	A	B	D	PACKAGE
QLF-3A	2.8	$\phi 7.1$	6.6	2000



LED 套, LED 座 LED HOLDER, LED HOUSING

PINGOOD

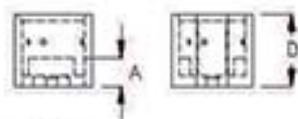
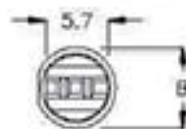
4-64-1



LED 套 LED HOLDER

MATERIAL: NYLON 66(UL)
FLAME CLASS: 94V-2
COLOR: NATURAL

FOR $\phi 5$ 3PIN LED				
PART NO	A	B	D	PACKAGE
LED-2Mx3	2.6	$\phi 7.4$	6.6	1000



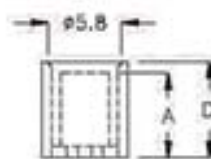
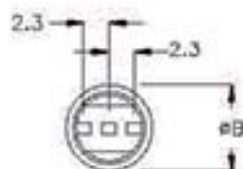
4-64-2



LED 套 LED HOLDER

MATERIAL: NYLON 66(UL)
FLAME CLASS: 94V-2
COLOR: NATURAL

FOR $\phi 5$ 3PIN LED				
PART NO	A	B	D	PACKAGE
LED-5Sx3	5.0	7.4	6.0	2000
LED-4Sx3	4.4	7.4	6.0	
LED-5x3	5.5	7.4	6.5	
LED-5Kx3	5.0	7.4	7.7	1000
LED-7x3	7.0	7.5	8.1	
LED-8x3	8.0	7.4	9.0	
LED-8Mx3	8.5	7.4	9.5	
LED-10x3	10.5	7.4	11.5	
LED-16x3	13.8	7.2	16.0	



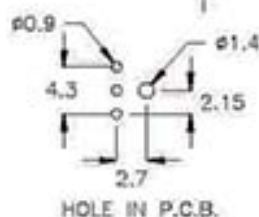
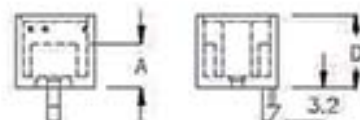
4-64-3



LED 套 LED HOLDER

MATERIAL: NYLON 66(UL)
FLAME CLASS: 94V-2
COLOR: NATURAL

FOR $\phi 5$ 3PIN LED				
PART NO	A	B	D	PACKAGE
LED-1Tx3	2.6	$\phi 7.4$	6.6	1000
LED-4Tx3	4.0	$\phi 7.4$	6.7	



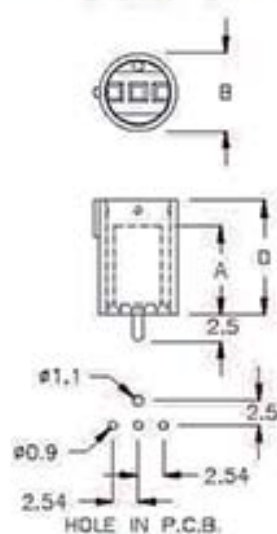
4-65-1



LED 套 LED HOLDER

MATERIAL: NYLON 66(UL)
FLAME CLASS: 94V-2
COLOR: NATURAL

FOR $\phi 5$ 3PIN LED				
PART NO	A	B	D	PACKAGE
QBE-8M	8.5	$\phi 7.5$	10.9	1000



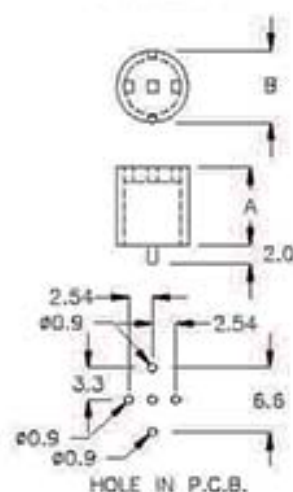
4-65-2



LED 套 LED HOLDER

MATERIAL: NYLON 66(UL)
FLAME CLASS: 94V-2
COLOR: NATURAL

FOR $\phi 5$ 3PIN LED			
PART NO	A	B	PACKAGE
QBK-0B	8.0	$\phi 7.4$	2000

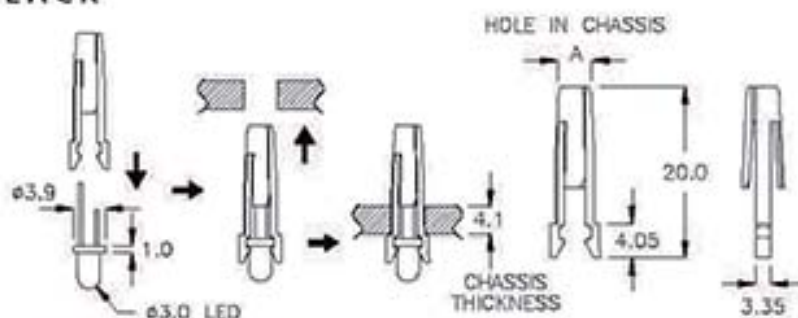


4-65-3



固定座 MOUNT

MATERIAL: NYLON 66(UL)
FLAME CLASS: 94V-2
COLOR: BLACK

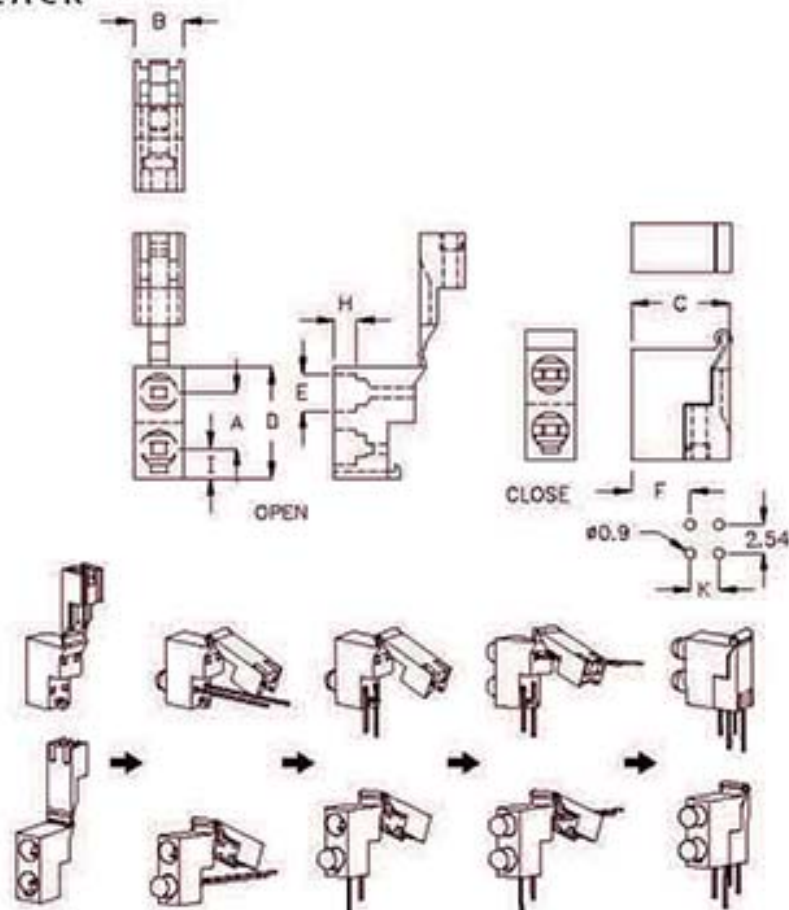


PART NO	A HOLE IN CHASSIS	PACKAGE
MTX-4JQ	$\phi 4.5$	1000

LED 座 LED HOUSING



MATERIAL: NYLON 66(UL)
FLAME CLASS: 94V-2
COLOR: BLACK

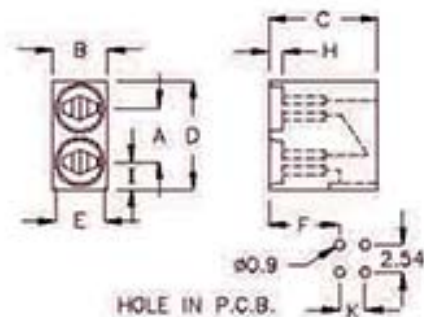


PART NO	A	B	C	D	E	F	H	I	K	SUITABLE LED	PACKAGE
2LED-30	5.0	4.5	8.9	10.0	φ3.3	5.3	2.0	2.7	2.6	φ3 2PIN	1000

LED 座 LED HOUSING



MATERIAL: NYLON 66(UL)
FLAME CLASS: 94V-2
COLOR: BLACK

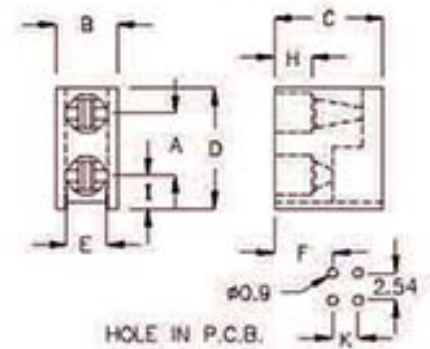


PART NO	A	B	C	D	E	F	H	I	K	SUITABLE LED	PACKAGE
2LED-3	5.0	5.1	10.1	10.0	φ3.9	7.1	1.3	2.5	2.6	φ3 2PIN	1000



LED座 LED HOUSING

MATERIAL: NYLON 66(UL)
FLAME CLASS: 94V-2
COLOR: BLACK

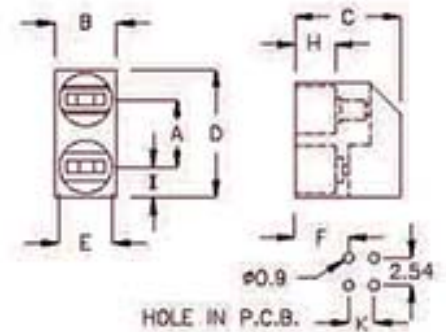


PART NO	A	B	C	D	E	F	H	I	K	SUITABLE LED	PACKAGE
2LED-3A	5.0	4.4	8.8	9.7	φ3.2	5.2	2.0	2.7	2.5	φ3 2PIN	1000
2LED-3B	5.0	5.0	8.9	9.8	φ3.2	5.2	3.0	2.7	2.5	φ3 2PIN	
2LED-3C	5.0	5.0	10.1	9.6	φ3.2	7.1	1.3	2.5	2.6	φ3 2PIN	
2LED-3D	5.0	4.4	9.0	9.8	φ3.4	5.45	1.5	2.6	2.55	φ3 2PIN	
2LED-3E	5.0	4.4	9.0	9.8	φ3.4	5.45	2.0	2.6	2.55	φ3 2PIN	
2LED-3P	6.0	4.4	9.7	13.5	φ3.3	6.2	2.0	5.0	2.55	φ3 2PIN	



LED座 LED HOUSING

MATERIAL: NYLON 66(UL)
FLAME CLASS: 94V-2
COLOR: BLACK

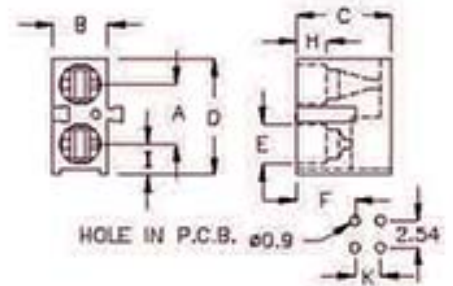


PART NO	A	B	C	D	E	F	K	H	I	SUITABLE LED	PACKAGE
2LED-5	6.2	5.9	11.0	12.0	φ5.0	6.1	2.4	4.2	2.85	φ5 2PIN	500



LED座 LED HOUSING

MATERIAL: NYLON 66(UL)
FLAME CLASS: 94V-2
COLOR: BLACK

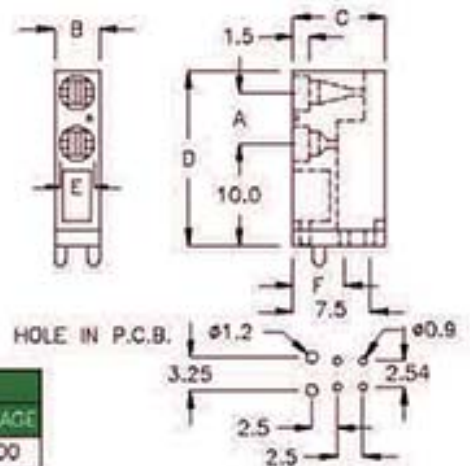


FOR ø3 2PIN LED										
PART NO	A	B	C	D	E	F	H	I	K	PACKAGE
2LED-3F	5.0	4.6	8.0	9.7	ø3.3	5.1	2.6	2.6	2.4	1000
2LED-3H	5.1	4.3	8.1	12.6	ø3.2	4.8	2.0	4.6	2.6	
2LED-3J	5.0	4.4	9.0	9.7	ø3.35	5.3	1.5	2.6	2.5	



LED座 LED HOUSING

MATERIAL: NYLON 66(UL)
FLAME CLASS: 94V-2
COLOR: BLACK

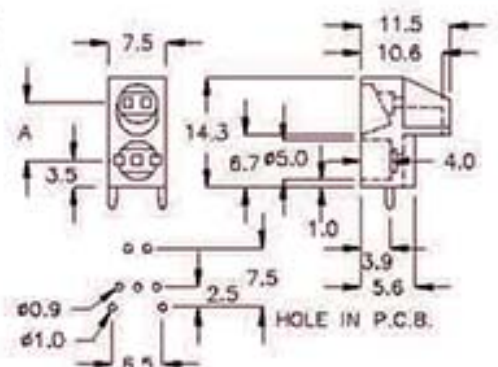


FOR ø3 2PIN LED							
PART NO	A	B	C	D	E	F	PACKAGE
2LED-3K	5.0	4.4	9.0	17.1	ø3.4	5.0	1000



LED座 LED HOUSING

MATERIAL: NYLON 66(UL)
FLAME CLASS: 94V-2
COLOR: BLACK

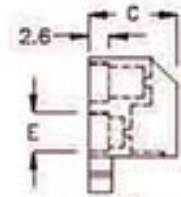
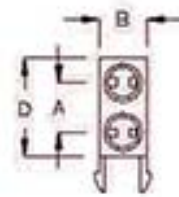


FOR ø5 2 PIN LED ø5 3 PIN LED		
PART NO	A	PACKAGE
2LED-5A	7.45	500

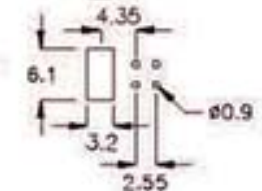


LED座 LED HOUSING

MATERIAL: PC(UL)
FLAME CLASS: 94V-2
COLOR: BLACK



HOLE IN P.C.B.
P.C.B. THICKNESS:1.6mm



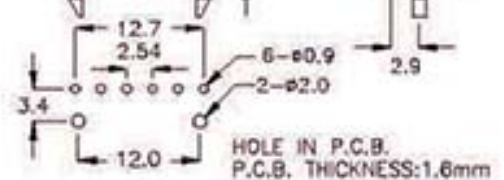
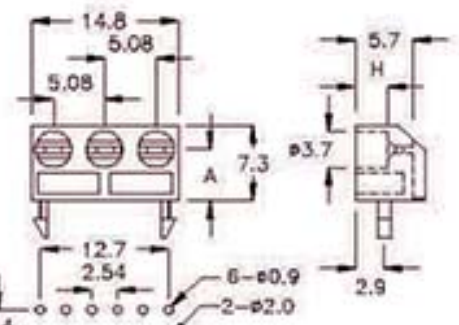
Build-in Clamp Function

PART NO	A	B	C	D	E	SUITABLE LED	PACKAGE
2LED-5C	6.3	6.0	11.2	12.5	4.9	5 2PIN	500



LED座 LED HOUSING

MATERIAL: NYLON 66(UL)
FLAME CLASS: 94V-2
COLOR: BLACK



HOLE IN P.C.B.
P.C.B. THICKNESS:1.6mm

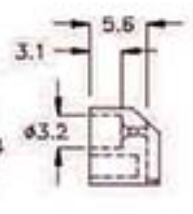
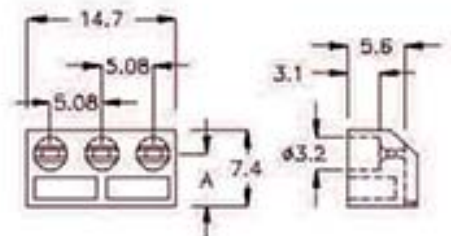
Build-in Clamp Function

FOR 3 2PIN LED			
PART NO	A	H	PACKAGE
3LED-3AT	5.1	3.2	500
3LED-3BT	5.1	2.0	



LED座 LED HOUSING

MATERIAL: NYLON 66(UL)
FLAME CLASS: 94V-2
COLOR: BLACK



Build-in Clamp Function

FOR 3 2PIN LED		
PART NO	A	PACKAGE
3LED-3C	5.1	500

LED 套, LED 座 LED HOLDER, LED HOUSING

PINGOOD

4-70-1

LED 座 LED HOUSING

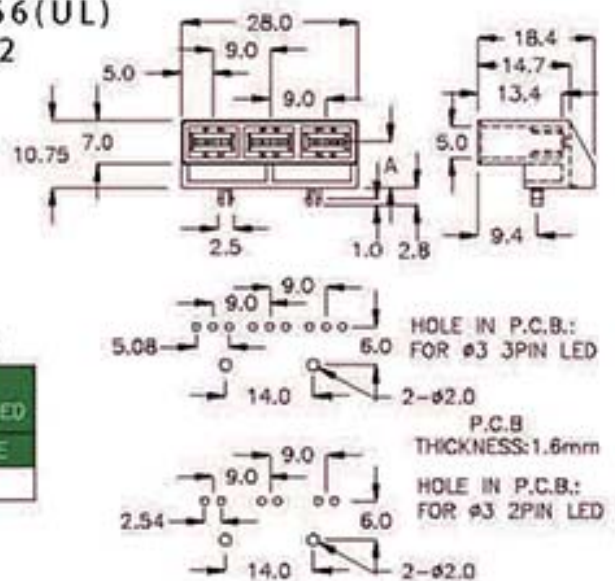


MATERIAL: NYLON 66(UL)
FLAME CLASS: 94V-2
COLOR: BLACK

Build-in Clamp Function

FOR $\phi 3$ 2PIN/3PIN LED
FOR QUADRATE 2PIN/3PIN LED

PART NO.	A	PACKAGE
3LED-3H	7.25	500



4-70-2

LED 座 LED HOUSING

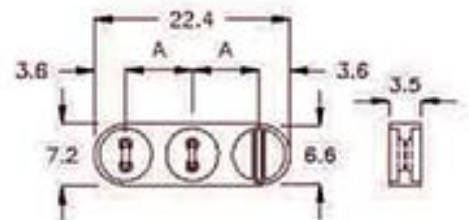


MATERIAL: NYLON 66(UL)
FLAME CLASS: 94V-2
COLOR: BLACK

Build-in Clamp Function

FOR $\phi 5$ 3PIN LED x1
FOR $\phi 5$ 2PIN LED x2

PART NO.	A	PACKAGE
3LED-7	7.6	1000



4-70-3

LED 座 LED HOUSING

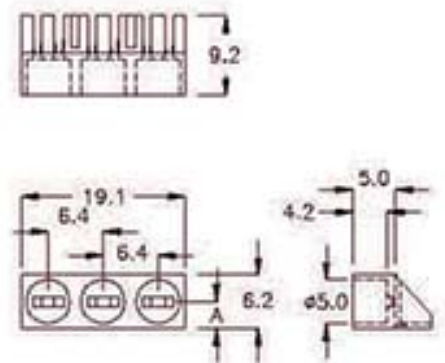


MATERIAL: NYLON 66(UL)
FLAME CLASS: 94V-2
COLOR: BLACK

Build-in Clamp Function

FOR $\phi 5$ 2PIN LED

PART NO.	A	PACKAGE
3LED-5	3.1	500



LED 套, LED 座 LED HOLDER, LED HOUSING

PINGOOD

4-71-1

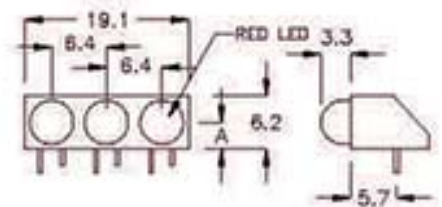
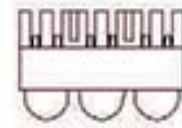
LED 座 LED HOUSING



MATERIAL: NYLON 66(UL)
+RED LED
FLAME CLASS: 94V-2
COLOR: BLACK

Build-in Clamp Function

FOR #5 2PIN LED			
PART NO	A	PACKAGE	
3LED-5-R	3.1	500	



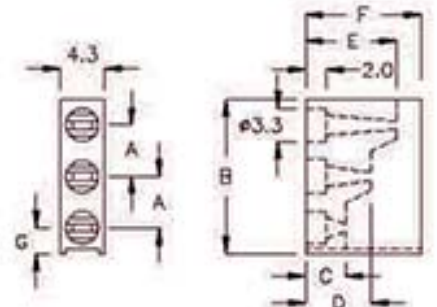
LED 座 LED HOUSING



MATERIAL: NYLON 66(UL)
FLAME CLASS: 94V-2
COLOR: BLACK

Build-in Clamp Function

FOR #3 3PIN LED								
PART NO	A	B	C	D	E	F	G	PACKAGE
3LED-3	5.08	15.25	3.9	6.45	9.0	11.45	2.50	500
3LED-3E	6.0	17.0	5.7	8.25	10.8	12.5	2.70	



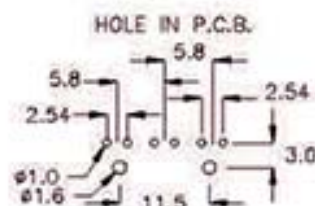
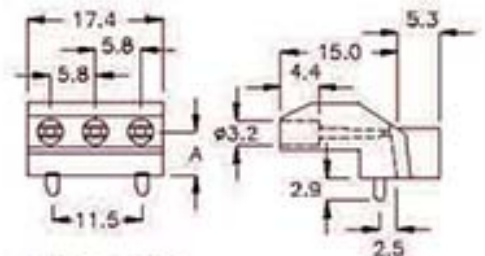
LED 座 LED HOUSING



MATERIAL: NYLON 66(UL)
FLAME CLASS: 94V-2
COLOR: BLACK

Build-in Clamp Function

FOR #3 2PIN LED		
PART NO	A	PACKAGE
3LEL-6	5.5	200



LED 套, LED 座 LED HOLDER, LED HOUSING

PINGOOD

4-73-1

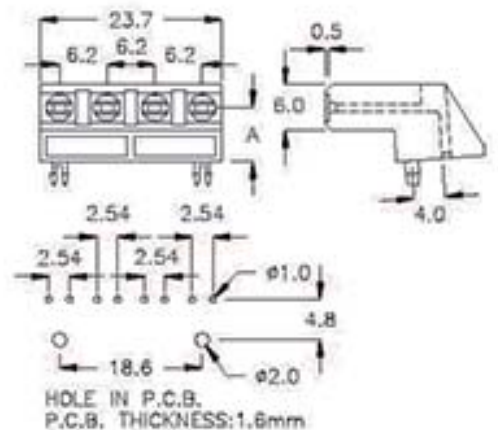
LED 座 LED HOUSING



Build-in Clamp Function

FOR $\phi 3$ 2PIN LED		
PART NO	A	PACKAGE
4LEL-6A	7.0	200

MATERIAL: NYLON 66(UL)
FLAME CLASS: 94V-2
COLOR: BLACK



4-73-2

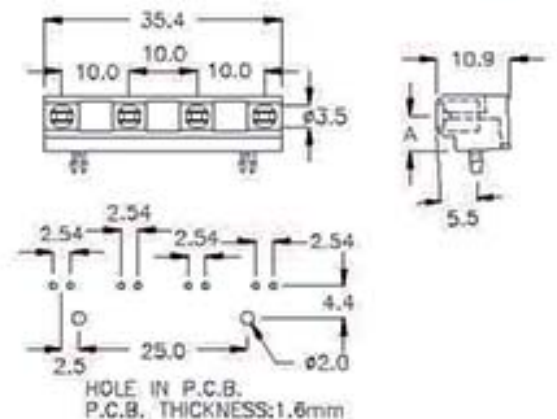
LED 座 LED HOUSING



Build-in Clamp Function

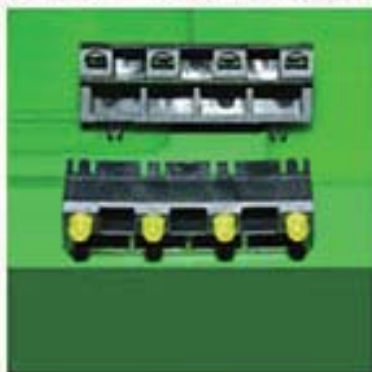
FOR $\phi 3$ 2PIN LED		
PART NO	A	PACKAGE
4LEL-6C	5.25	200

MATERIAL: NYLON 66(UL)
FLAME CLASS: 94V-2
COLOR: BLACK



4-73-3

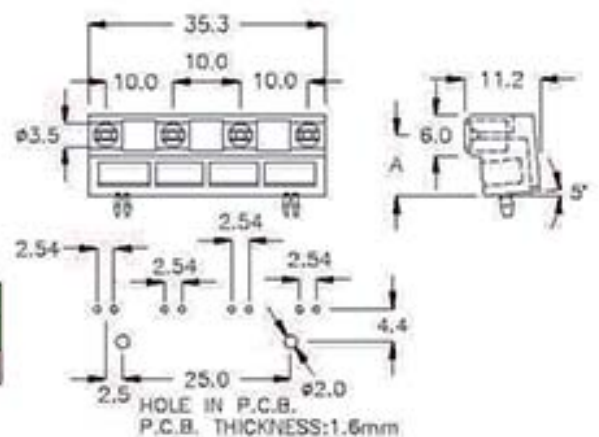
LED 座 LED HOUSING



Build-in Clamp Function

FOR $\phi 3$ 2PIN LED		
PART NO	A	PACKAGE
4LEL-6D	9.0	200

MATERIAL: NYLON 66(UL)
FLAME CLASS: 94V-2
COLOR: BLACK



LED 套, LED 座 LED HOLDER, LED HOUSING

PINGOOD

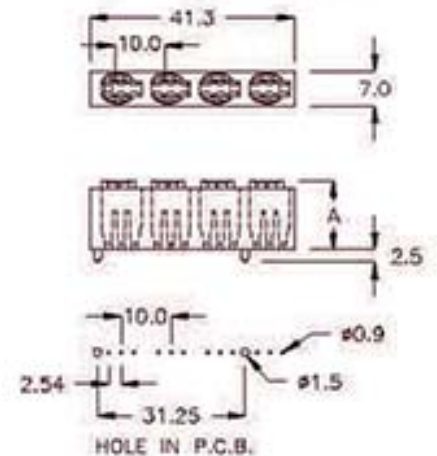
4-74-1

LED 套 LED HOLDER



MATERIAL: NYLON 66(UL)
FLAME CLASS: 94V-2
COLOR: BLACK

FOR $\phi 5$ 2PIN LED			
FOR $\phi 5$ 3PIN LED			
PART NO	A	PACKAGE	
4LED-1A	14.0	500	



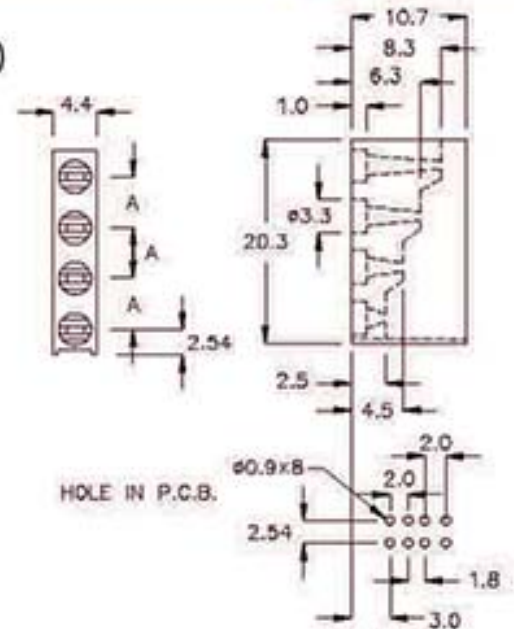
4-74-2

LED 座 LED HOUSING



MATERIAL: NYLON 66(UL)
FLAME CLASS: 94V-2
COLOR: BLACK

FOR $\phi 3$ 2PIN LED			
PART NO	A	PACKAGE	
4LED-3C	5.08	500	



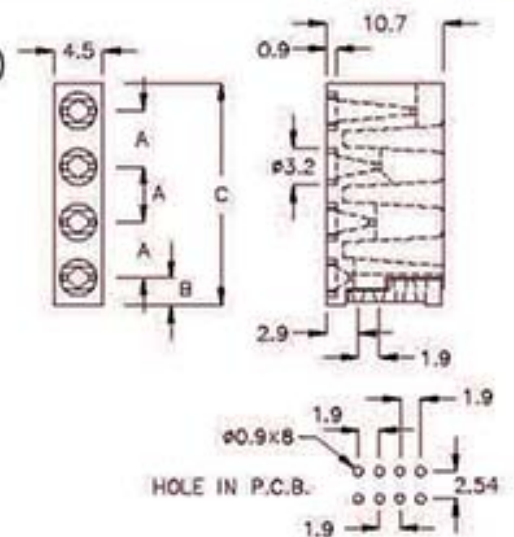
4-74-3

LED 座 LED HOUSING



MATERIAL: NYLON 66(UL)
FLAME CLASS: 94V-2
COLOR: BLACK

FOR $\phi 3$ 2PIN LED				
PART NO	A	B	C	PACKAGE
4LED-3D	5.1	2.54	20.3	500
4LED-3K	5.1	4.75	22.5	



LED 套, LED 座 LED HOLDER, LED HOUSING

PINGOOD

4-75-1

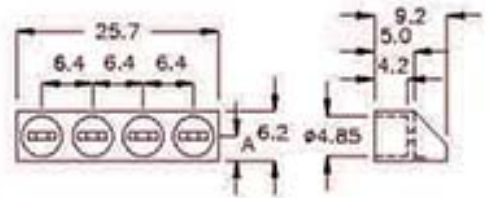


LED 座 LED HOUSING

MATERIAL: NYLON 66(UL)
FLAME CLASS: 94V-2
COLOR: BLACK

Build-in Clamp Function

FOR #5 2PIN LED		
PART NO	A	PACKAGE
4LED-5	3.1	500



4-75-2

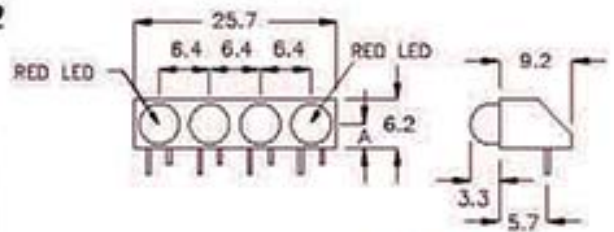


LED 座 LED HOUSING

MATERIAL: NYLON 66(UL)
+RED LED
FLAME CLASS: 94V-2
COLOR: BLACK

Build-in Clamp Function

FOR #5 2PIN LED		
PART NO	A	PACKAGE
4LED-5-R	3.1	500



4-75-3

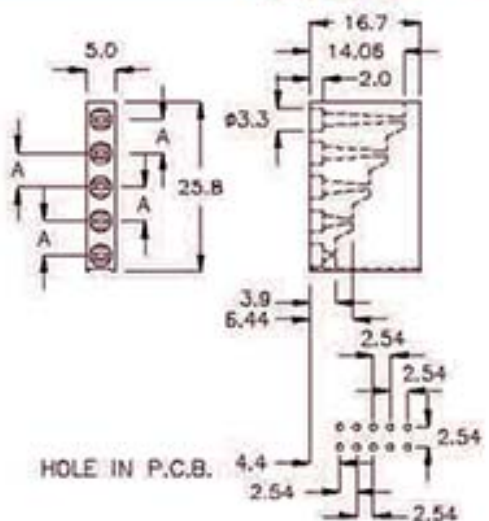


LED 座 LED HOUSING

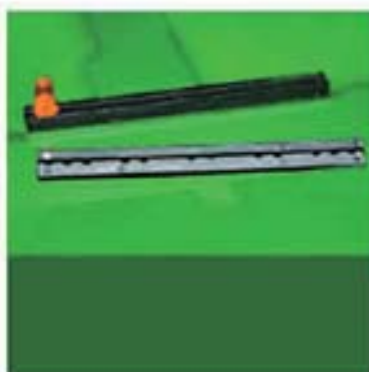
MATERIAL: NYLON 66(UL)
FLAME CLASS: 94V-2
COLOR: BLACK

Build-in Clamp Function

FOR #3 2PIN LED		
PART NO	A	PACKAGE
5LED-3	5.08	500



4-75-4

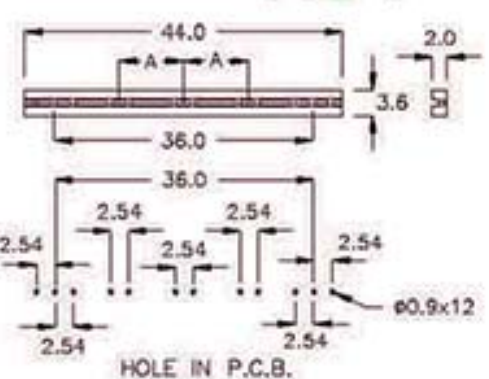


LED 座 LED HOUSING

MATERIAL: NYLON 66(UL)
FLAME CLASS: 94V-2
COLOR: BLACK

Build-in Clamp Function

FOR #5 2PIN LED x 3 FOR #5 3PIN LED x 2		
PART NO	A	PACKAGE
QLD-44	9.0	1000



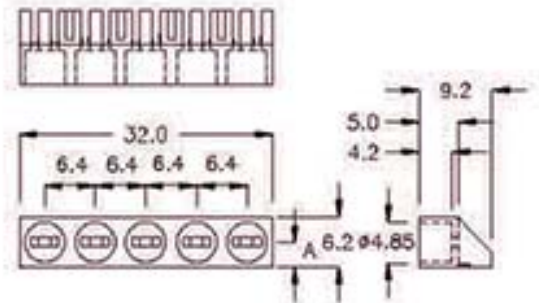


LED 座 LED HOUSING

MATERIAL: NYLON 66(UL)
FLAME CLASS: 94V-2
COLOR: BLACK

Build-in Clamp Function

FOR #5 2PIN LED		
PART NO	A	PACKAGE
SLED-5	3.1	500

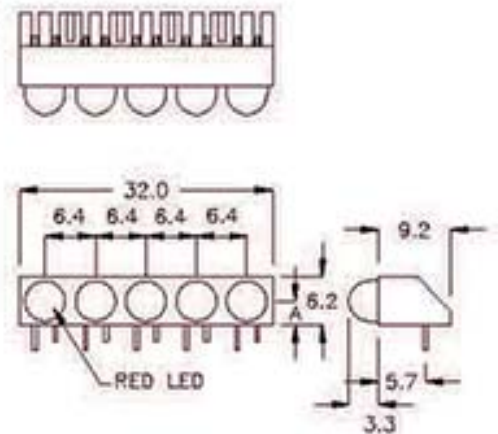


LED 座 LED HOUSING

MATERIAL: NYLON 66(UL)
+RED LED
FLAME CLASS: 94V-2
COLOR: BLACK

Build-in Clamp Function

FOR #5 2PIN LED		
PART NO	A	PACKAGE
SLED-5-R	3.1	500

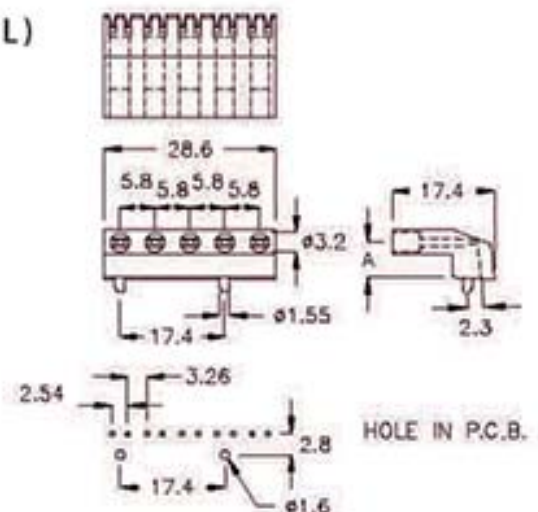


LED 座 LED HOUSING

MATERIAL: NYLON 66(UL)
FLAME CLASS: 94V-2
COLOR: BLACK

Build-in Clamp Function

FOR #3 2PIN LED		
PART NO	A	PACKAGE
SLEL-6	5.8	200

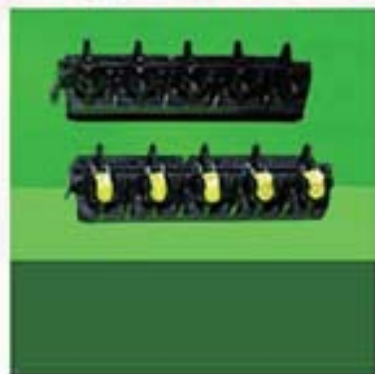


LED 套, LED 座 LED HOLDER, LED HOUSING

PINGOOD

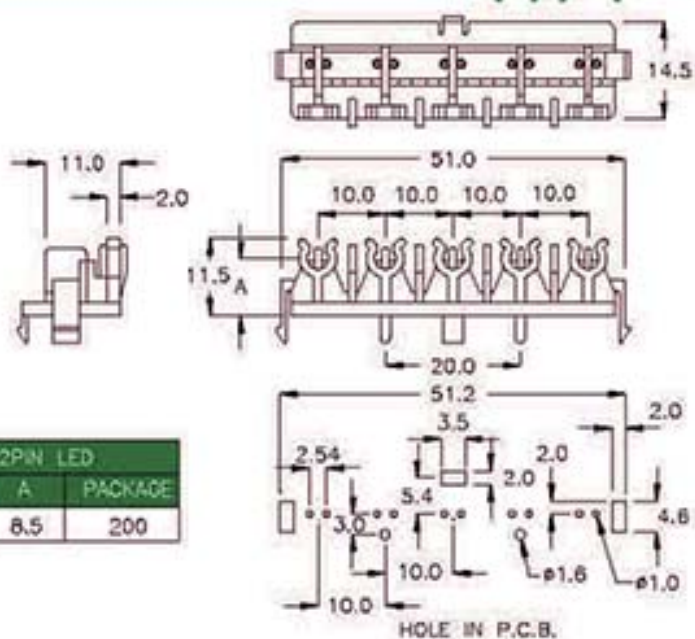
4-77-1

LED 座 LED HOUSING



MATERIAL: NYLON 66(UL)
FLAME CLASS: 94V-2
COLOR: BLACK

FOR $\phi 3$ 2PIN LED		
PART NO	A	PACKAGE
5LED-3AT	8.5	200



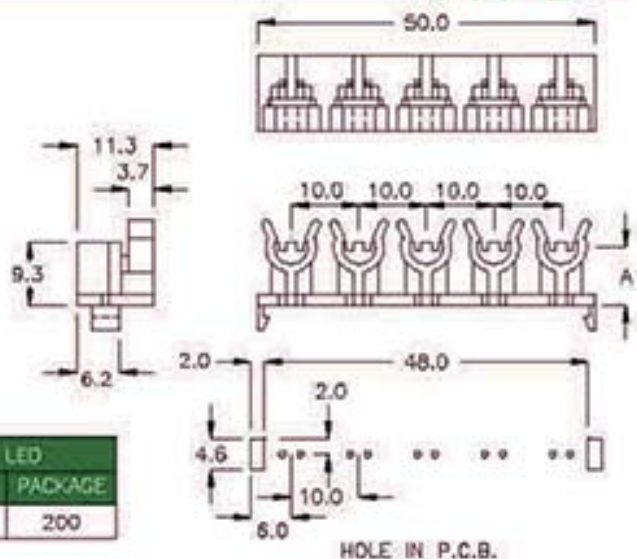
4-77-2

LED 座 LED HOUSING



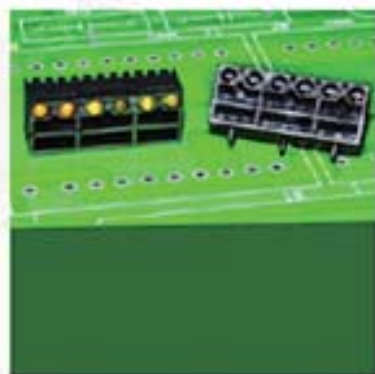
MATERIAL: NYLON 66(UL)
FLAME CLASS: 94V-2
COLOR: BLACK

FOR $\phi 5$ 2PIN LED		
PART NO	A	PACKAGE
5LED-5BT	8.5	200



4-77-3

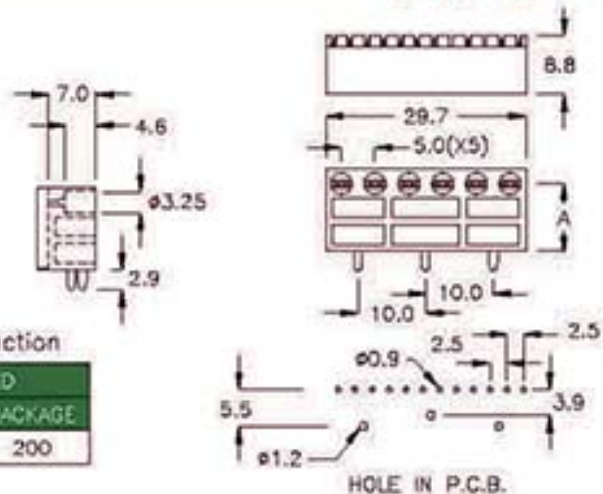
LED 座 LED HOUSING



MATERIAL: NYLON 66(UL)
FLAME CLASS: 94V-2
COLOR: BLACK

Build-in Clamp Function

FOR $\phi 3$ 2PIN LED		
PART NO	A	PACKAGE
6LED-3A	10.0	200



LED 套, LED 座 LED HOLDER, LED HOUSING

PINGOOD

4-78-1

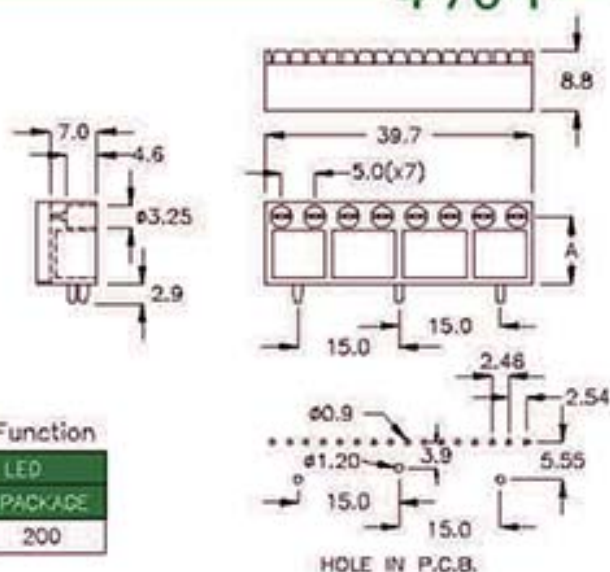
LED 座 LED HOUSING



MATERIAL: NYLON 66(UL)
FLAME CLASS: 94V-2
COLOR: BLACK

Build-in Clamp Function

FOR $\phi 3$ 2PIN LED		
PART NO	A	PACKAGE
BLED-3	10.0	200



HOLE IN P.C.B.

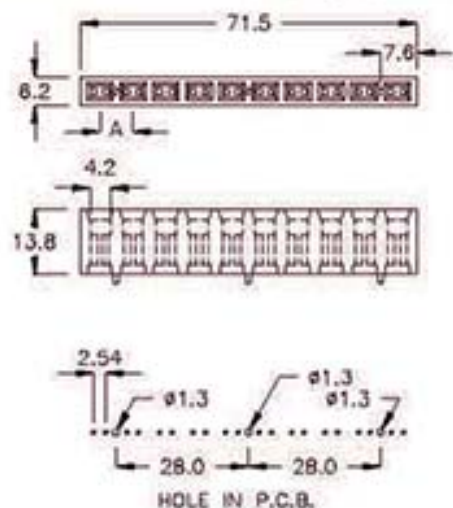
4-78-2

LED 座 LED HOUSING



MATERIAL: NYLON 66(UL)
FLAME CLASS: 94V-2
COLOR: BLACK

FOR QUADRATE 2PIN LED		
PART NO	A	PACKAGE
10LED-1	7.0	200



HOLE IN P.C.B.

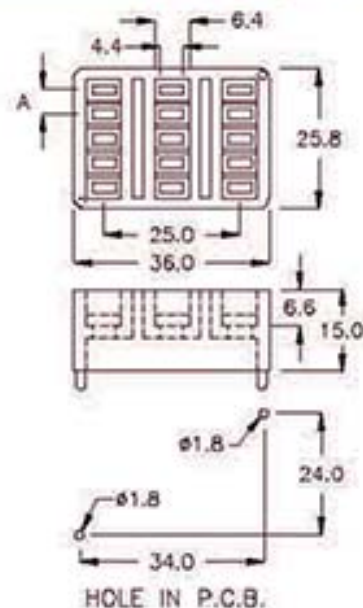
4-78-3

LED 座 LED HOUSING



MATERIAL: NYLON 66(UL)
FLAME CLASS: 94V-2
COLOR: BLACK

FOR QUADRATE 2PIN LED		
PART NO	A	PACKAGE
15LED-1	4.5	100



HOLE IN P.C.B.

風扇鉚釘 ▶
FAN SNAP RIVET



◀ 螺帽, 扣具
SCREW, SCREW NUT



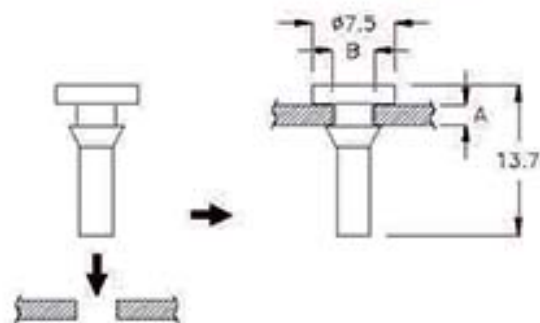
鉚釘, 螺絲 ▶
FASTENER,
SNAP RIVET

5-2-1

緩衝墊片 SILICONE BUMPER



MATERIAL: SILICONE
COLOR: BLACK



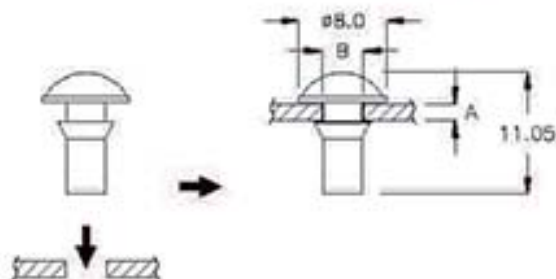
PART NO	A CHASSIS THICKNESS	B HOLE IN CHASSIS	PACKAGE
SRJ-3NS	2.3	$\phi 3.5$	2000

5-2-2

緩衝墊片 SILICONE BUMPER



MATERIAL: SILICONE
COLOR: BLACK



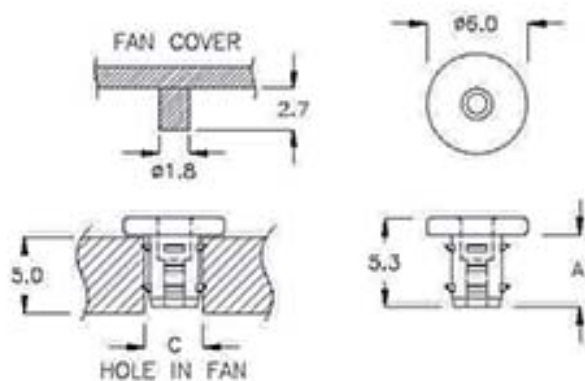
PART NO	A CHASSIS THICKNESS	B HOLE IN CHASSIS	PACKAGE
SRF-3A	1.9	$\phi 3.5$	2000

5-2-3

風扇鉚釘 FAN SNAP RIVET



MATERIAL: TPE
COLOR: BLACK



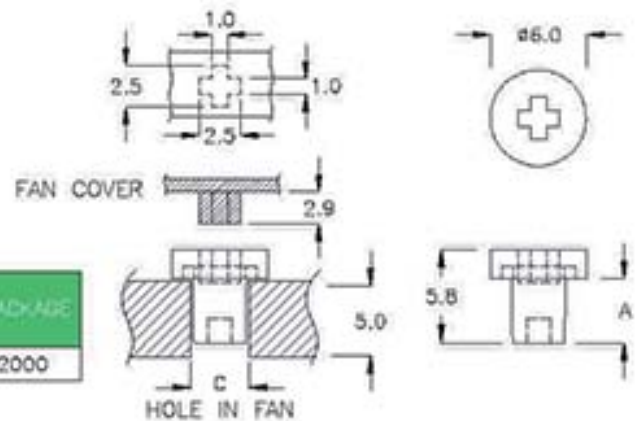
PART NO	A	C HOLE IN FAN	PACKAGE
SRQB-5A	4.3	$\phi 3.5$	2000

風扇鉚釘 FAN SNAP RIVET



MATERIAL: TPE
COLOR: BLACK

PART NO	A	C HOLE IN FAN	PACKAGE
SRDF-3AT	4.0	ø3.5	2000



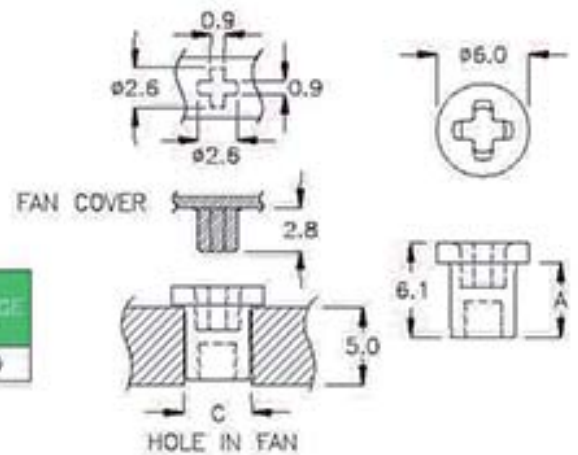
風扇鉚釘 FAN SNAP RIVET



MATERIAL: TPE
COLOR: BLACK

NEW

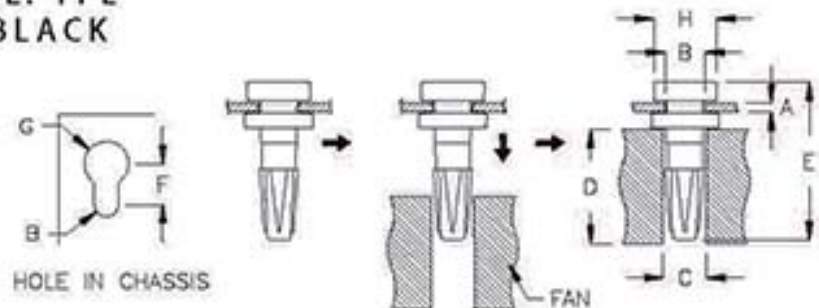
PART NO	A	C HOLE IN FAN	PACKAGE
★ SRQA-4HC	4.85	ø4.5	2000



風扇鉚釘 FAN SNAP RIVET



MATERIAL: TPE
COLOR: BLACK

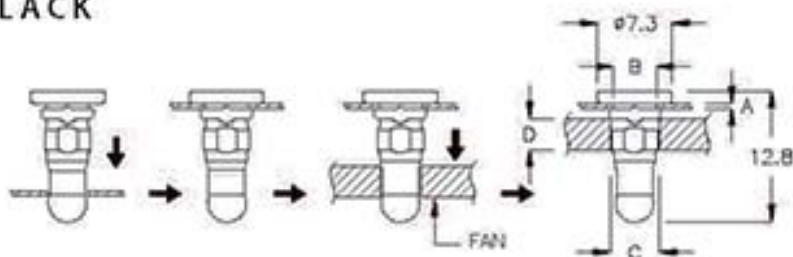


PART NO	MATERIAL	COLOR	A CHASSIS THICKNESS	B HOLE IN CHASSIS	C HOLE IN FAN	D FAN CHASSIS THICKNESS	E	F	C	H	PACKAGE
★ SRYC-3HT	SILICONE	WHITE	0.8	ø4.0	ø3.5	5.0	16.8	8.0	ø8.5	ø7.8	2000
SRYC-3XZ	TPE	BLACK	1.0	ø3.5	ø3.6	>11.0	15.5	6.0	ø6.5	ø6.0	

風扇鉚釘 FAN SNAP RIVET



MATERIAL: TPE
COLOR: BLACK

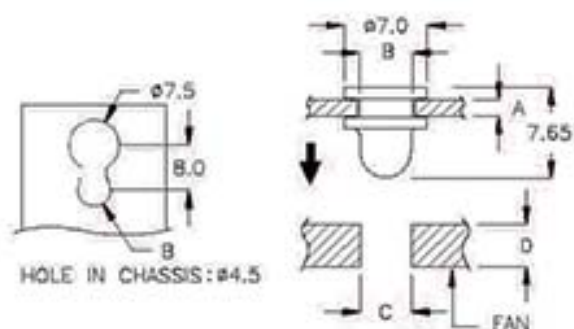


PART NO	A CHASSIS THICKNESS	B HOLE IN CHASSIS	C HOLE IN FAN	D FAN CHASSIS THICKNESS	PACKAGE
SRCQ-4MT	0.5	ø4.3	ø4.5	4.0	2000

風扇鉚釘 FAN SNAP RIVET



MATERIAL: TPE
COLOR: BLACK

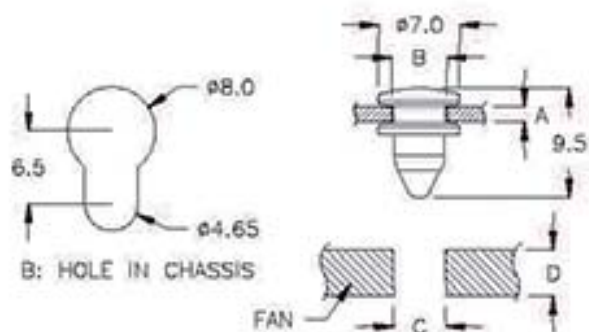


PART NO	A CHASSIS THICKNESS	B HOLE IN CHASSIS	C HOLE IN FAN	D FAN CHASSIS THICKNESS	PACKAGE
SRY-4XR	1.5	ø4.5	ø4.5	4.5	2000

風扇鉚釘 FAN SNAP RIVET



MATERIAL: TPE
COLOR: BLACK

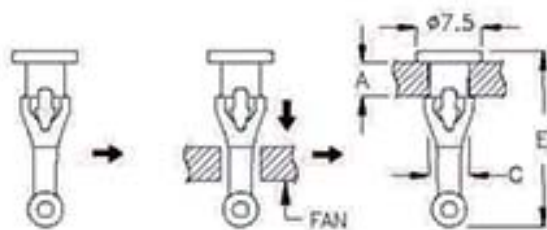


PART NO	A CHASSIS THICKNESS	C HOLE IN FAN	D FAN CHASSIS THICKNESS	PACKAGE
★ SRYD-4TC	1.3	ø4.5	4.0	2000

風扇鉚釘 FAN SNAP RIVET



MATERIAL: TPE
COLOR: BLACK



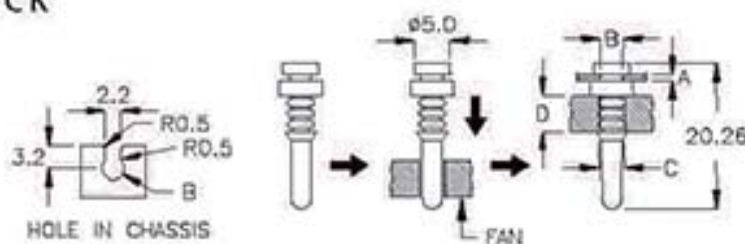
PART NO	A FAN CHASSIS THICKNESS	C HOLE IN FAN	E	PACKAGE
SRZ-4AT	4.0	ø4.5	20.1	2000

風扇鉚釘 FAN SNAP RIVET



MATERIAL: SILICONE
COLOR: BLACK

NEW

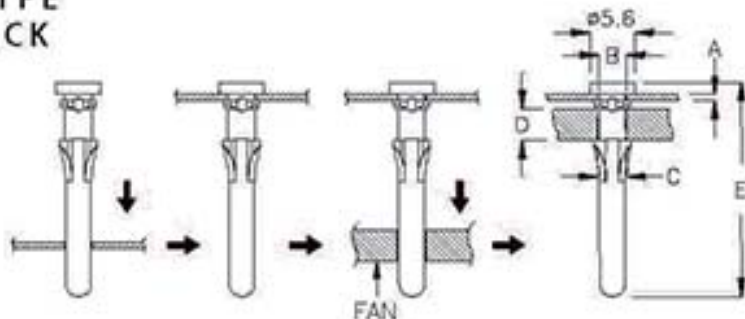


PART NO	A CHASSIS THICKNESS	B HOLE IN CHASSIS	C HOLE IN FAN	D FAN THICKNESS	PACKAGE
★SRDM-20K	0.8	ø3.2	ø3.5	5.0	2000

風扇鉚釘 FAN SNAP RIVET



MATERIAL: TPE
COLOR: BLACK

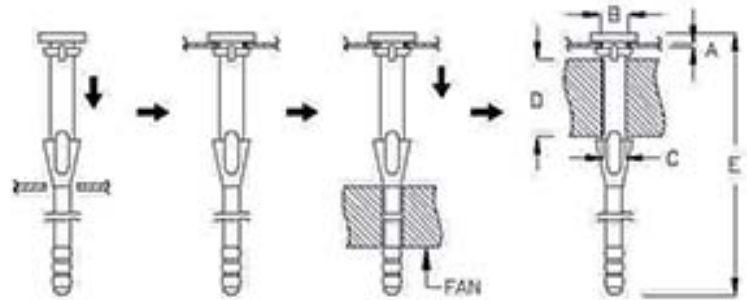


PART NO	A CHASSIS THICKNESS	B HOLE IN CHASSIS	C HOLE IN FAN	D FAN CHASSIS THICKNESS	E	PACKAGE
SRM-24NX	0.8	ø3.5	ø3.5	4.0	26.9	500

風扇鉚釘 FAN SNAP RIVET



MATERIAL: TPE
COLOR: BLACK

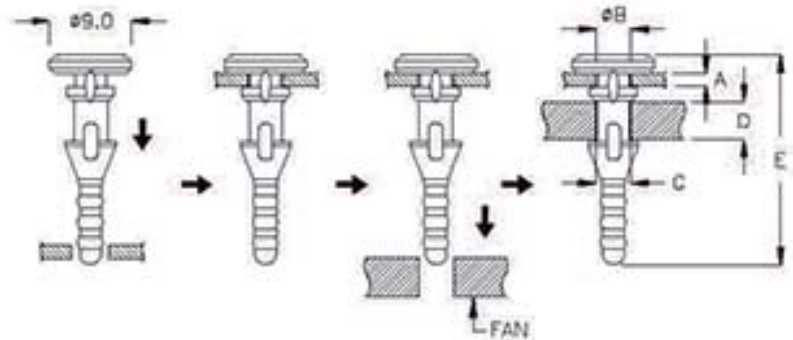


PART NO	A CHASSIS THICKNESS	B HOLE IN CHASSIS	C HOLE IN FAN	D FAN CHASSIS THICKNESS	E	PACKAGE
SRD-3GT	0.8	ø3.5	ø3.5	28.0	73.0	500

風扇鉚釘 FAN SNAP RIVET



MATERIAL: SILICONE
COLOR: BLACK

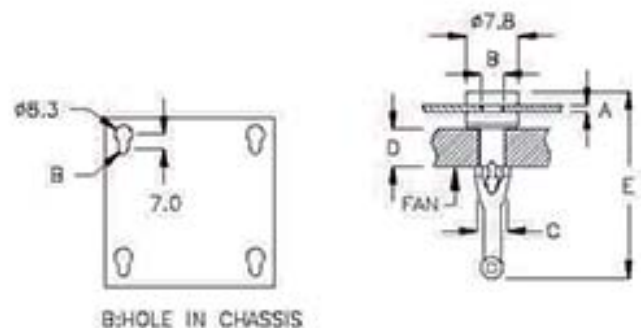


PART NO	A CHASSIS THICKNESS	B HOLE IN CHASSIS	C HOLE IN FAN	D FAN CHASSIS THICKNESS	E	PACKAGE
SRD-4WY	1.5	ø3.5	ø3.5	5.0	23.0	1000

風扇鉚釘 FAN SNAP RIVET



MATERIAL: SILICONE
COLOR: BLACK

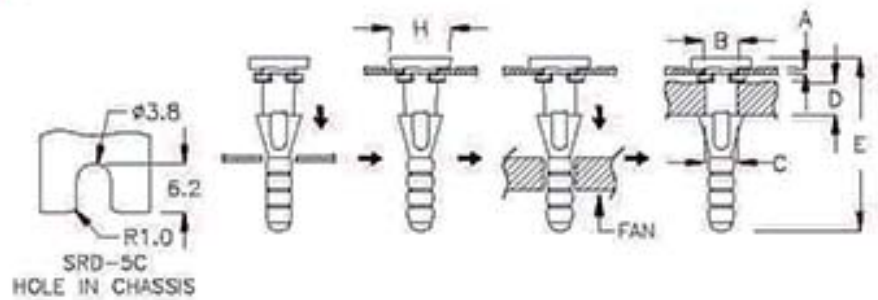


PART NO	A CHASSIS THICKNESS	B HOLE IN CHASSIS	C HOLE IN FAN	D FAN CHASSIS THICKNESS	E	PACKAGE
SR-17KM	1.0	ø3.0	ø3.5	6.5	27.6	2000
SR-20RQ	1.0	ø4.0	ø3.5	5.0	25.45	

風扇鉚釘 FAN SNAP RIVET



COLOR: BLACK

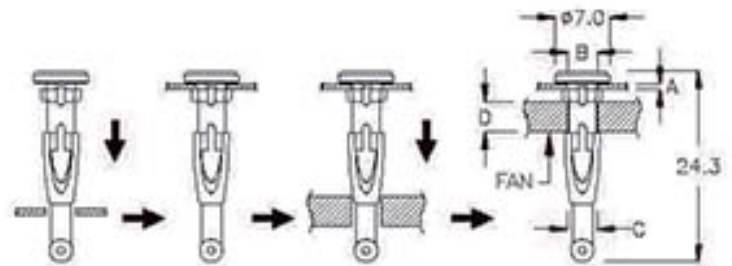


PART NO	MATERIAL	A CHASSIS THICKNESS	B HOLE IN CHASSIS	C HOLE IN FAN	D FAN CHASSIS THICKNESS	E	H	PACKAGE
SRD-3C	SILICONE	1.0	$\phi 3.6$	$\phi 3.5$	5.0	20.0	$\phi 5.8$	2000
SRD-3MF	TPE	0.8	$\phi 3.5$	$\phi 3.5$	4.0	20.0	$\phi 5.8$	
SRD-5C	SILICONE	0.8		$\phi 4.3$	5.0	23.8	$\phi 8.0$	1000

風扇鉚釘 FAN SNAP RIVET



MATERIAL: SILICONE
COLOR: BLACK

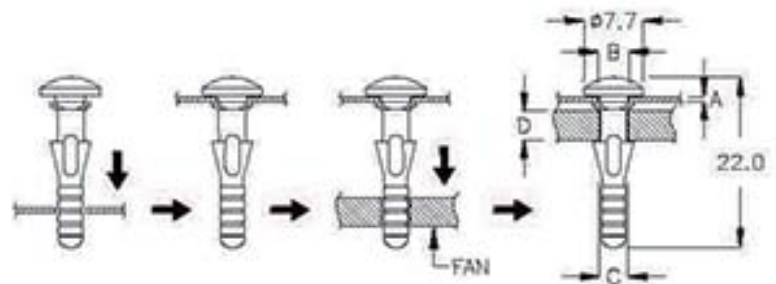


PART NO	A CHASSIS THICKNESS	B HOLE IN CHASSIS	C HOLE IN FAN	D FAN CHASSIS THICKNESS	PACKAGE
SRG-3A	0.8	$\phi 3.7$	$\phi 3.5$	5.0	1000

風扇鉚釘 FAN SNAP RIVET



MATERIAL: SILICONE
COLOR: BLACK

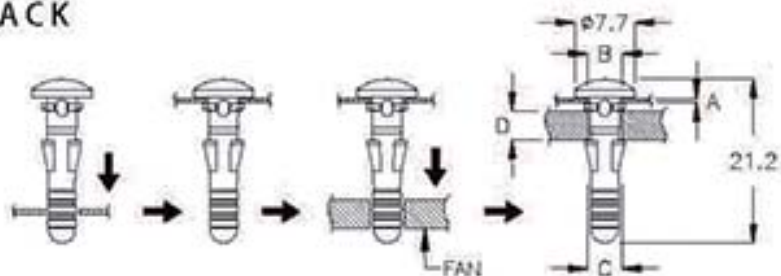


PART NO	A CHASSIS THICKNESS	B HOLE IN CHASSIS	C HOLE IN FAN	D FAN THICKNESS	PACKAGE
SRCK-3HR	1.0	$\phi 4.0$	$\phi 3.5$	5.0	2000

風扇鉚釘 FAN SNAP RIVET



MATERIAL: TPE
COLOR: BLACK

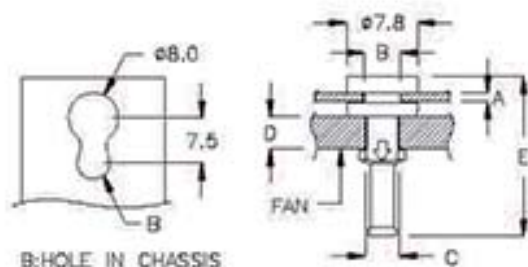


PART NO	A CHASSIS THICKNESS	B HOLE IN CHASSIS	C HOLE IN FAN	D FAN THICKNESS	PACKAGE
SRCK-4HT	1.0	ø4.0	ø4.0	4.0	2000

風扇鉚釘 FAN SNAP RIVET



MATERIAL: SILICONE
COLOR: BLACK

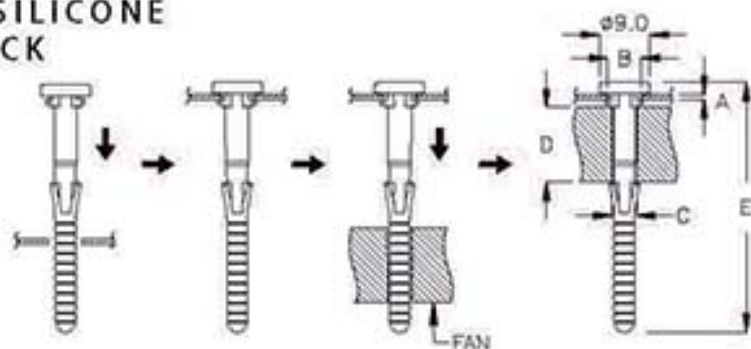


PART NO	A CHASSIS THICKNESS	B HOLE IN CHASSIS	C HOLE IN FAN	D FAN CHASSIS THICKNESS	E	PACKAGE
SRH-3M	1.0	ø4.0	ø3.5	4.0	17.7	2000

風扇鉚釘 FAN SNAP RIVET

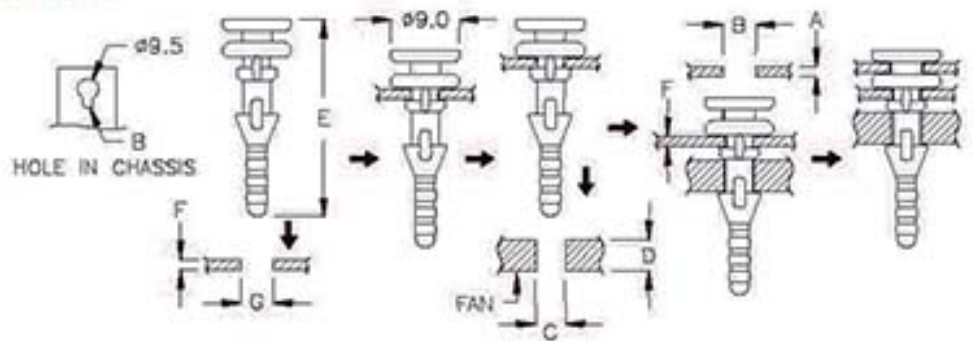


MATERIAL: SILICONE
COLOR: BLACK



PART NO	A CHASSIS THICKNESS	B HOLE IN CHASSIS	C HOLE IN FAN	D FAN CHASSIS THICKNESS	E	PACKAGE
SRO-3TF	2.0	ø4.0	ø3.5	5.0	25.0	2000
SRD-4GM	0.8	ø6.0	ø4.3	15.0	44.7	

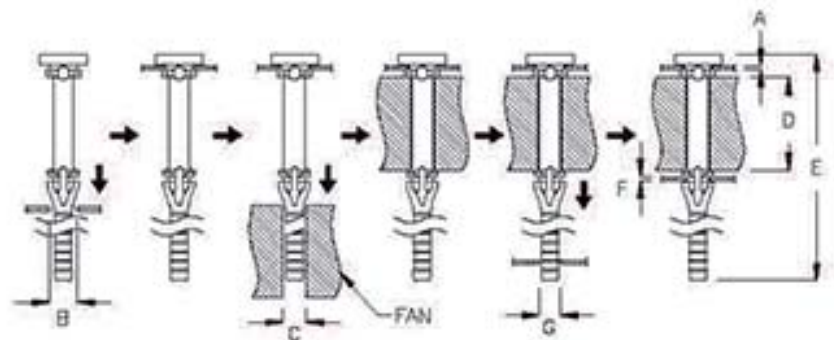
風扇鉚釘 FAN SNAP RIVET



MATERIAL:
SILICONE
COLOR: BLACK

PART NO	A CHASSIS THICKNESS	B HOLE IN CHASSIS	C HOLE IN FAN	D FAN CHASSIS THICKNESS	E	F CHASSIS THICKNESS	G HOLE IN CHASSIS	PACKAGE
SRD-4PW	1.5	$\phi 4.2$	$\phi 3.5$	5.0	26.0	1.5	$\phi 3.5$	1000

風扇鉚釘 FAN SNAP RIVET



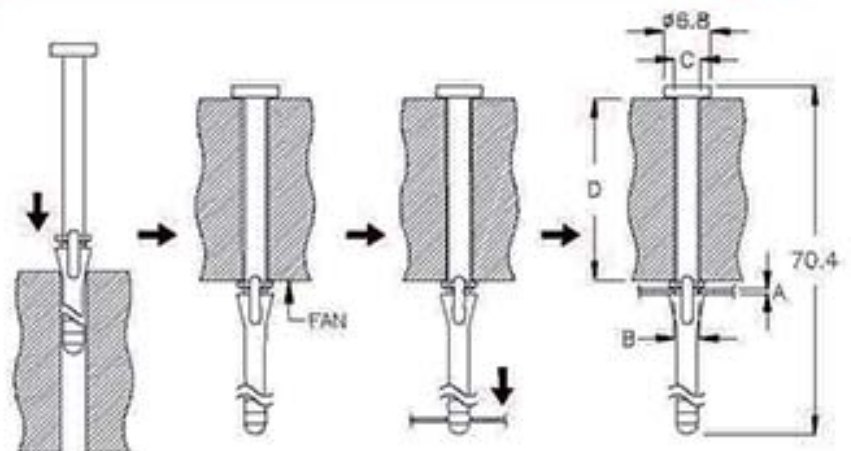
MATERIAL:
SILICONE
COLOR: BLACK

PART NO	A CHASSIS THICKNESS	B HOLE IN CHASSIS	C HOLE IN FAN	D FAN CHASSIS THICKNESS	E	F CHASSIS THICKNESS	G HOLE IN CHASSIS	PACKAGE
SRD-3QW	0.8	$\phi 4.5$	$\phi 3.5$	28.0	72.7	0.8	$\phi 3.5$	500

風扇鉚釘 FAN SNAP RIVET



NEW



MATERIAL: SILICONE
COLOR: BLACK

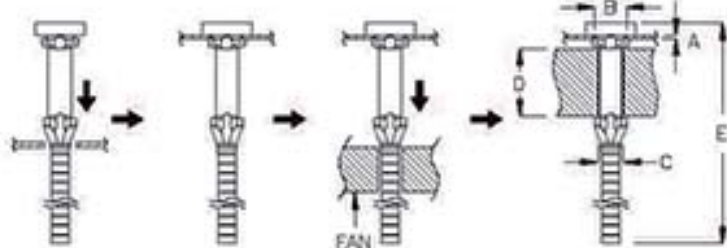
PART NO	A CHASSIS THICKNESS	B HOLE IN CHASSIS	C HOLE IN FAN	D FAN THICKNESS	PACKAGE
★ SRD-3SD	0.8	$\phi 3.5$	$\phi 3.5$	28.0	500

5-10-1

風扇鉚釘 FAN SNAP RIVET



MATERIAL: SILICONE
COLOR: BLACK



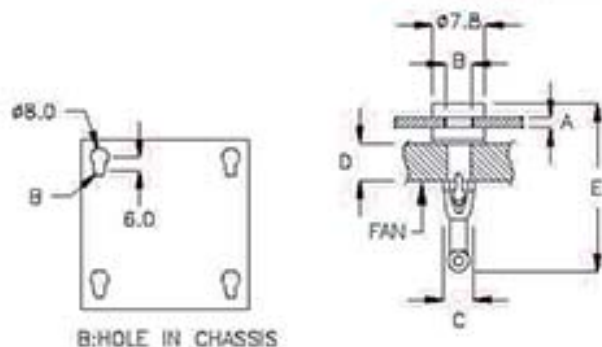
PART NO	A CHASSIS THICKNESS	B HOLE IN CHASSIS	C HOLE IN FAN	D FAN CHASSIS THICKNESS	E	PACKAGE
SRD-3A	0.8	ø4.5	ø3.5	28.0	70.7	500
SRD-3JK	0.8	ø4.5	ø3.5	20.0	54.7	

5-10-2

風扇鉚釘 FAN SNAP RIVET



COLOR: BLACK



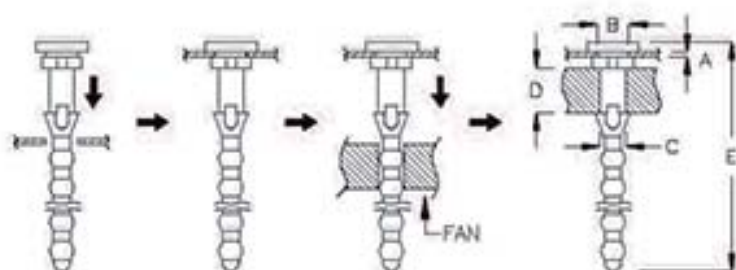
PART NO	MATERIAL	A CHASSIS THICKNESS	B HOLE IN CHASSIS	C HOLE IN FAN	D FAN CHASSIS THICKNESS	E	PACKAGE
SR-17Y	TPR	1.6	ø4.1	ø3.6	6.5	27.65	2000
SR-20Y	TPR	1.6	ø4.1	ø3.6	5.5	25.0	
SR-41Y	SILICONE	1.0	ø4.0	ø4.0	4.0	25.5	

5-10-3

風扇鉚釘 FAN SNAP RIVET



COLOR: BLACK

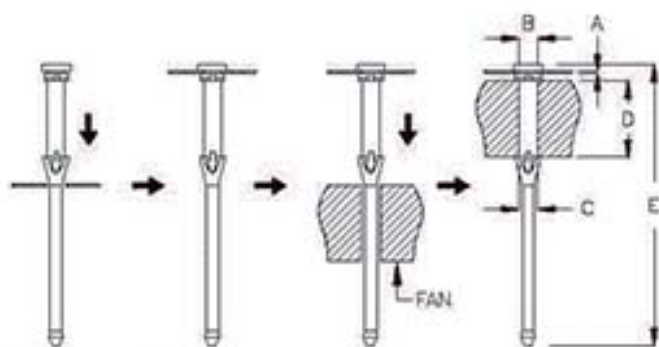


PART NO	MATERIAL	A CHASSIS THICKNESS	B HOLE IN CHASSIS	C HOLE IN FAN	D FAN CHASSIS THICKNESS	E	PACKAGE
SRD-4A	SILICONE	1.0	ø4.4	ø4.0	25.4	65.8	500
SRD-4C	TPE	0.8	ø5.0	ø4.0	25.4	65.4	

風扇鉚釘 FAN SNAP RIVET



MATERIAL: SILICONE
COLOR: BLACK

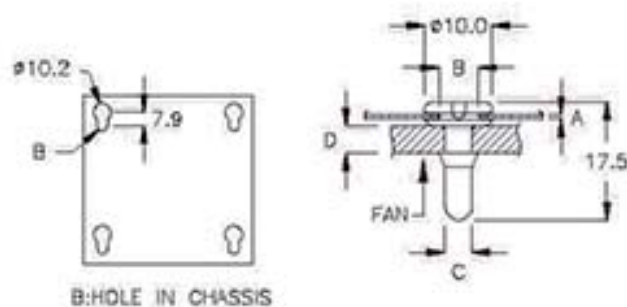


PART NO	A CHASSIS THICKNESS	B HOLE IN CHASSIS	C HOLE IN FAN	D FAN CHASSIS THICKNESS	E	PACKAGE
SRD-5H	0.8	φ4.2	φ4.2	20.0	69.3	500

風扇鉚釘 FAN SNAP RIVET



MATERIAL: TPE
COLOR: BLACK

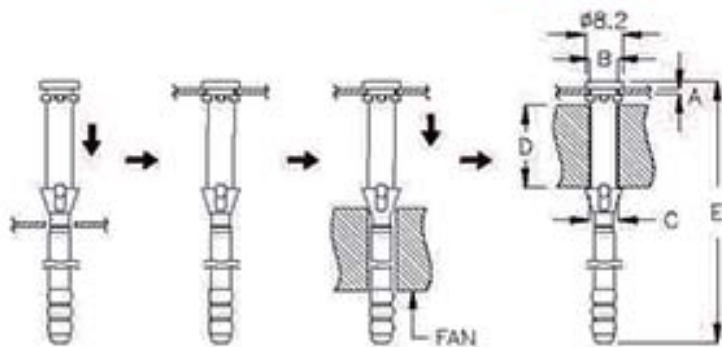


PART NO	A CHASSIS THICKNESS	B HOLE IN CHASSIS	C HOLE IN FAN	D FAN CHASSIS THICKNESS	PACKAGE
SR-150	0.8	φ5.8	φ4.2	4.0	2000

風扇鉚釘 FAN SNAP RIVET

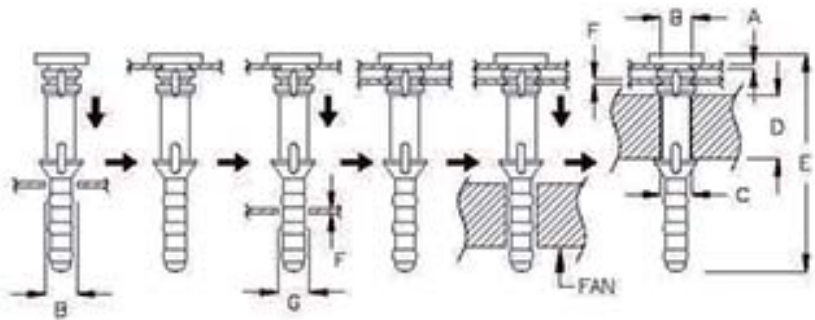


COLOR: BLACK



PART NO	MATERIAL	A CHASSIS THICKNESS	B HOLE IN CHASSIS	C HOLE IN FAN	D FAN CHASSIS THICKNESS	E	PACKAGE
★ SRD-4BN	SILICONE	1.0	φ4.3	φ4.3	10.0	41.5	1000
SRD-4KH	TPE	1.0	φ4.3	φ4.3	15.0	46.5	

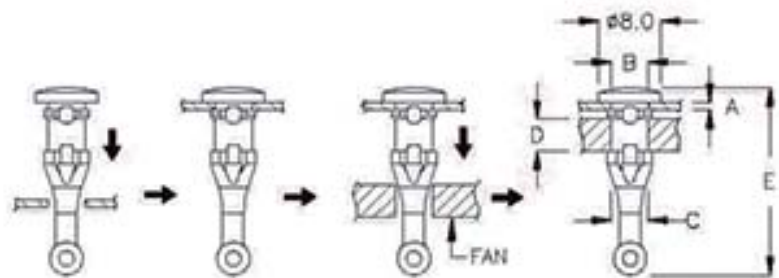
風扇鉚釘 FAN SNAP RIVET



MATERIAL: SILICONE
COLOR: BLACK

PART NO	A CHASSIS THICKNESS	B HOLE IN CHASSIS	C HOLE IN FAN	D FAN CHASSIS THICKNESS	E	F CHASSIS THICKNESS	G HOLE IN CHASSIS	PACKAGE
SRD-40	1.0~1.2	φ4.3	φ4.3	38.0	81.2	0.8~1.0	φ4.3	500

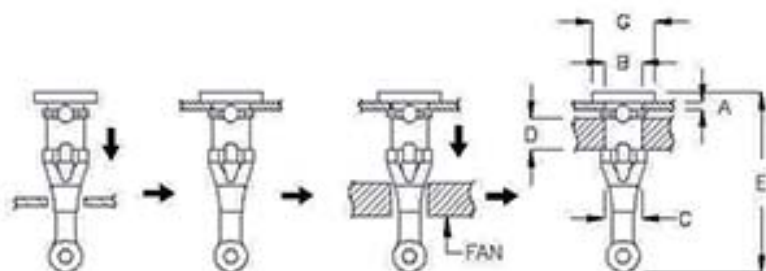
風扇鉚釘 FAN SNAP RIVET



MATERIAL: TPE
COLOR: BLACK

PART NO	A CHASSIS THICKNESS	B HOLE IN CHASSIS	C HOLE IN FAN	D FAN CHASSIS THICKNESS	E	PACKAGE
SR-22GS	1.0	φ4.3	φ4.3	4.0	23.2	2000

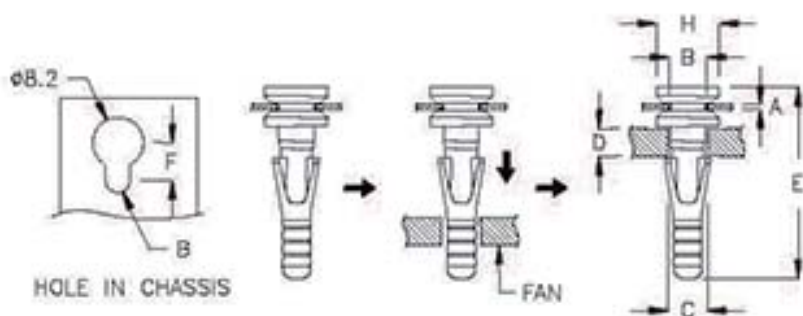
風扇鉚釘 FAN SNAP RIVET



MATERIAL: SILICONE, TPE
COLOR: BLACK

PART NO	MATERIAL	A CHASSIS THICKNESS	B HOLE IN CHASSIS	D HOLE IN FAN	D FAN CHASSIS THICKNESS	E	G	PACKAGE
SR-16Y	TPE	0.9	ø4.6	ø4.6	4.0	22.2	ø7.6	2000
SR-22A	TPE	1.0	ø4.5	ø4.5	4.0	22.2	ø7.6	
SR-22BL	TPE	1.0	ø4.5	ø4.5	4.0	22.8	ø7.6	
SR-22C	TPE	1.0	ø4.5	ø4.5	3.0	22.2	ø7.6	
SR-22D	TPE	0.8	ø4.5	ø4.5	4.0	22.2	ø7.6	
SR-22F	TPE	0.8	ø4.5	ø4.5	3.0	22.2	ø7.6	
SR-22H	SILICONE	1.0	ø4.3	ø4.3	4.0	22.2	ø7.6	
SR-22J	TPE	1.0	ø4.3	ø4.3	3.0	22.2	ø7.6	
SR-22K	TPE	0.8	ø4.3	ø4.3	4.0	22.2	ø7.6	
SR-22L	TPE	0.8	ø4.3	ø4.3	3.0	22.2	ø7.6	
SR-22MP	SILICONE	2.0	ø4.8	ø4.3	4.5	23.6	ø8.0	
SR-22XW	SILICONE	1.2	ø4.5	ø4.5	4.0	22.7	ø9.3	

風扇鉚釘 FAN SNAP RIVET



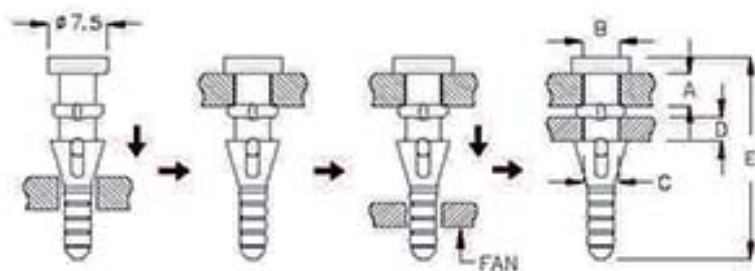
MATERIAL: TPE
COLOR: BLACK

PART NO	A CHASSIS THICKNESS	B HOLE IN CHASSIS	C HOLE IN FAN	D FAN CHASSIS THICKNESS	E	F	H	PACKAGE
SRD-7AK	0.8	ø4.4	ø4.3	4.0	23.9	5.7	ø7.8	1000
SRD-21Y	1.0	ø4.5	ø4.5	4.0	22.6	6.2	ø8.0	2000
★ SRD-23C	1.0	ø4.5	ø4.5	4.8	23.3	6.2	ø8.0	1000
SRD-25GW	1.0	ø4.5	ø4.3	5.4	25.7	6.2	ø7.8	

風扇鉚釘 FAN SNAP RIVET



MATERIAL: TPE
COLOR: BLACK

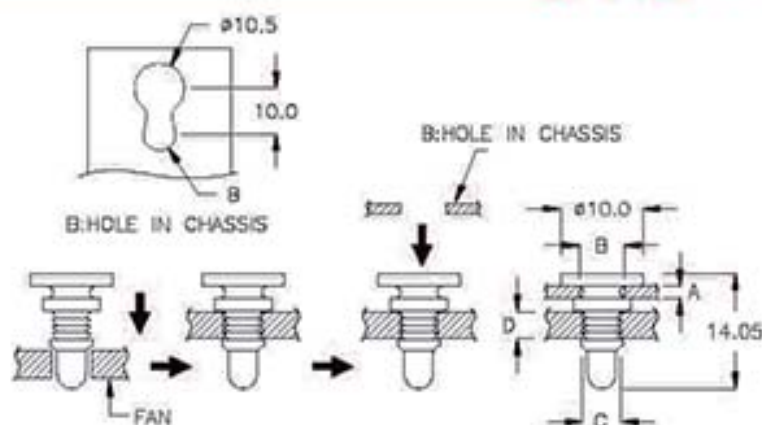


PART NO	A CHASSIS THICKNESS	B HOLE IN CHASSIS	C HOLE IN FAN	D FAN CHASSIS THICKNESS	E	PACKAGE
SRD-4NH	4.0	φ4.65	φ4.3	4.0	25.4	1000

風扇鉚釘 FAN SNAP RIVET



MATERIAL: SILICONE
COLOR: BLACK

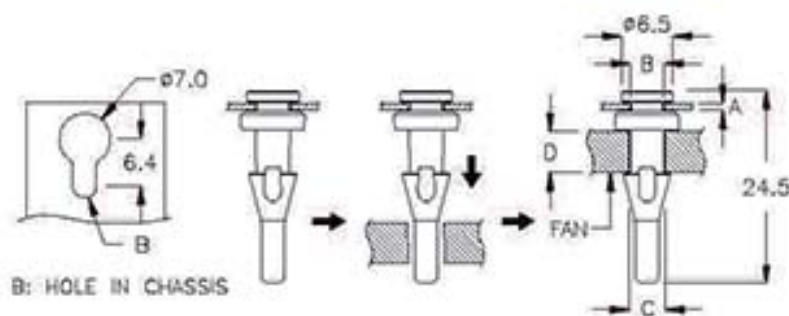


PART NO	A CHASSIS THICKNESS	B HOLE IN CHASSIS	C HOLE IN FAN	D FAN CHASSIS THICKNESS	PACKAGE
SRCM-5K	1.6	φ5.6	φ4.3	4.0	2000

風扇鉚釘 FAN SNAP RIVET



MATERIAL: SILICONE
COLOR: BLACK

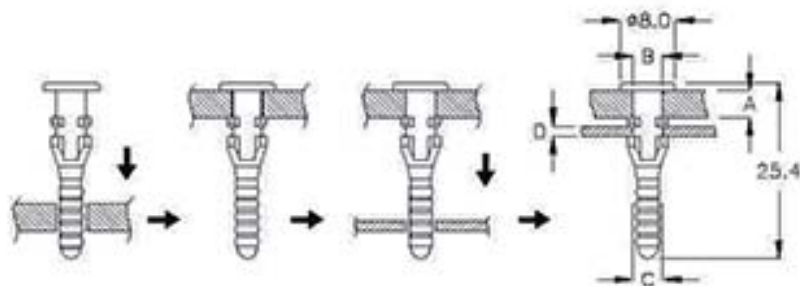


PART NO	A CHASSIS THICKNESS	B HOLE IN CHASSIS	C HOLE IN FAN	D FAN CHASSIS THICKNESS	PACKAGE
SRL-24JK	0.9	φ4.1	φ4.4	5.6	2000

風扇鉚釘 FAN SNAP RIVET



MATERIAL: TPE
COLOR: BLACK

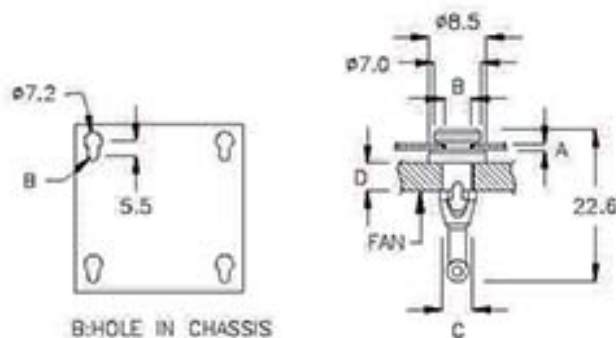


PART NO.	A FAN CHASSIS THICKNESS	B HOLE IN FAN	C HOLE IN CHASSIS	D CHASSIS THICKNESS	PACKAGE
SRCK-4FA	4.0	φ4.4	φ4.4	1.5	2000

風扇鉚釘 FAN SNAP RIVET



MATERIAL: TPR
FLAME CLASS: 94V-0
COLOR: BLACK

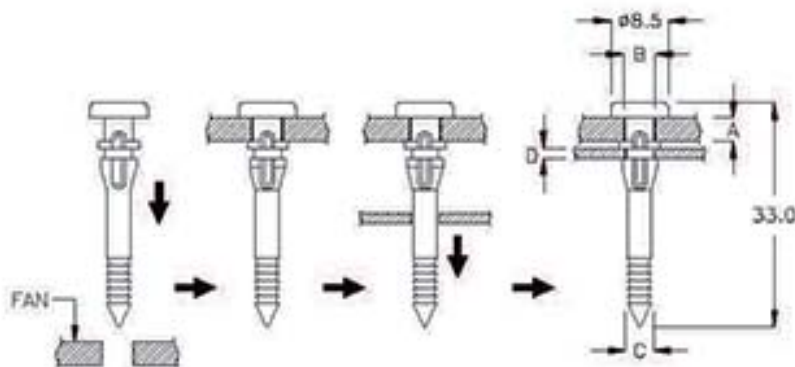


PART NO.	A CHASSIS THICKNESS	B HOLE IN CHASSIS	C HOLE IN FAN	D FAN CHASSIS THICKNESS	PACKAGE
SR-26Y	1.0	φ4.1	φ4.5	4.0	1000

風扇鉚釘 FAN SNAP RIVET



MATERIAL: SILICONE
COLOR: BLACK

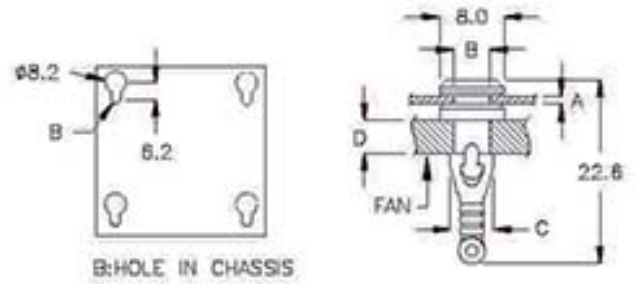


PART NO.	A FAN CHASSIS THICKNESS	B HOLE IN FAN	C HOLE IN CHASSIS	D CHASSIS THICKNESS	PACKAGE
SRB-02	3.5	φ4.2	φ4.5	1.3	2000

風扇鉚釘 FAN SNAP RIVET



MATERIAL: TPR
FLAME CLASS: 94V-0
COLOR: BLACK

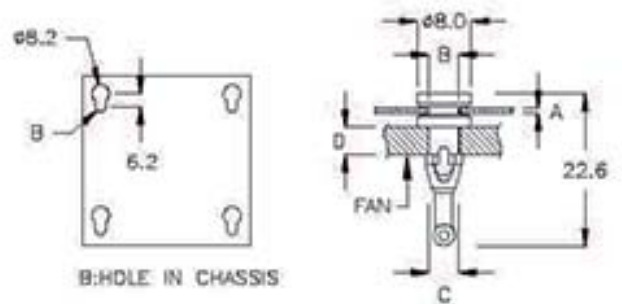


PART NO	A CHASSIS THICKNESS	B HOLE IN CHASSIS	C HOLE IN FAN	D FAN CHASSIS THICKNESS	PACKAGE
SR-21RK	1.0	$\phi 4.5$	$\phi 4.5$	4.0	2000

風扇鉚釘 FAN SNAP RIVET



MATERIAL: TPR
FLAME CLASS: 94V-0
COLOR: BLACK

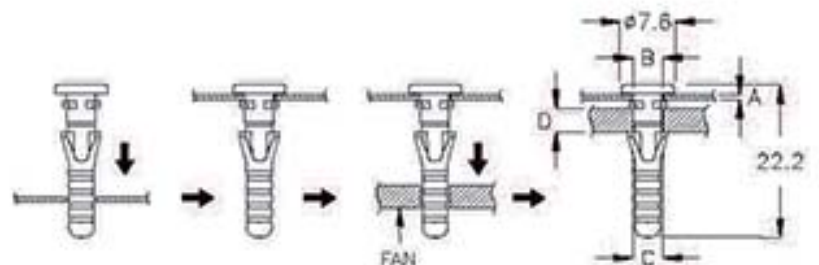


PART NO	A CHASSIS THICKNESS	B HOLE IN CHASSIS	C HOLE IN FAN	D FAN CHASSIS THICKNESS	PACKAGE
SR-21Y	1.0	$\phi 4.5$	$\phi 4.5$	4.0	2000

風扇鉚釘 FAN SNAP RIVET



MATERIAL: TPE
COLOR: BLACK

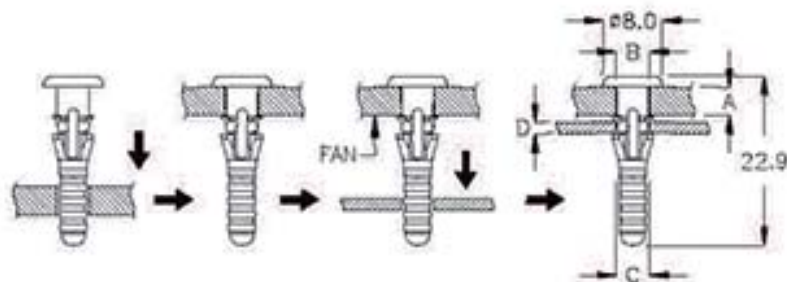


PART NO	A CHASSIS THICKNESS	B HOLE IN CHASSIS	C HOLE IN FAN	D FAN CHASSIS THICKNESS	PACKAGE
SRD-22AT	1.0	$\phi 4.5$	$\phi 4.5$	4.0	2000

風扇鉚釘 FAN SNAP RIVET



MATERIAL: TPE
COLOR: BLACK

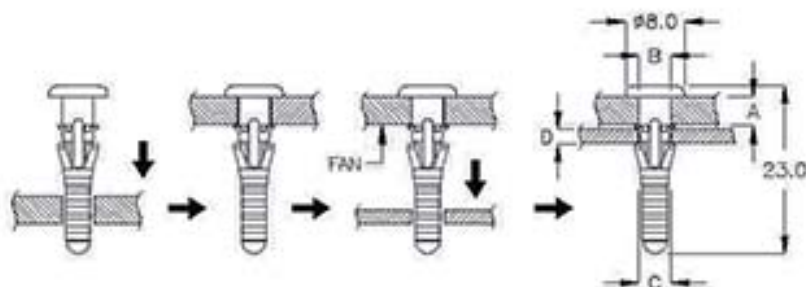


PART NO	A FAN THICKNESS	B HOLE IN FAN	C HOLE IN CHASSIS	D CHASSIS THICKNESS	PACKAGE
SRBK-4TK	4.0	$\phi 4.5$	$\phi 4.5$	2.0	2000

風扇鉚釘 FAN SNAP RIVET



MATERIAL: TPE
COLOR: BLACK

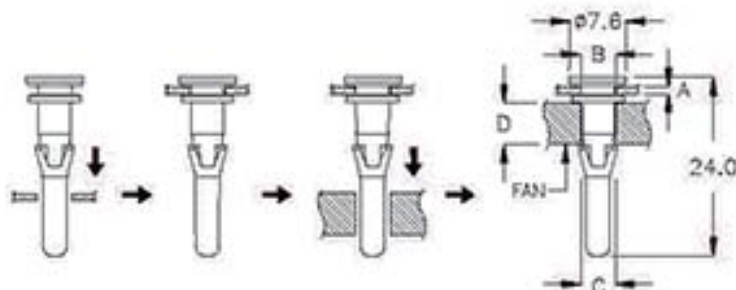


PART NO	A FAN THICKNESS	B HOLE IN FAN	C HOLE IN CHASSIS	D CHASSIS THICKNESS	PACKAGE
SRCK-4JL	4.0	$\phi 4.5$	$\phi 4.5$	2.0	2000

風扇鉚釘 FAN SNAP RIVET



MATERIAL: TPE
COLOR: BLACK



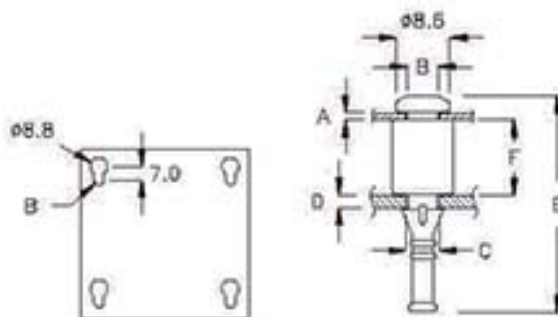
PART NO	A CHASSIS THICKNESS	B HOLE IN CHASSIS	C HOLE IN FAN	D FAN CHASSIS THICKNESS	PACKAGE
SRD-24D	1.0	$\phi 4.5$	$\phi 4.5$	6.0	2000

5-18-1

風扇鉚釘 FAN SNAP RIVET



MATERIAL: SILICONE
COLOR: BLACK



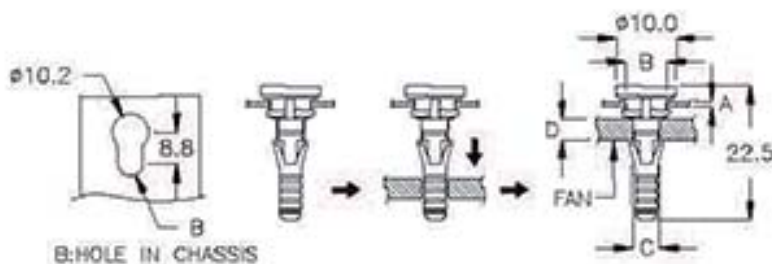
PART NO	A CHASSIS THICKNESS	B HOLE IN CHASSIS	C HOLE IN CHASSIS	D FAN CHASSIS THICKNESS	E	F	PACKAGE
SR-33Y	1.2	ø5.0	ø4.6	2.5	34.3	11.4	500
SR-36Y	1.2	ø5.0	ø4.6	2.5	34.9	12.0	

5-18-2

風扇鉚釘 FAN SNAP RIVET



MATERIAL: TPE
COLOR: BLACK



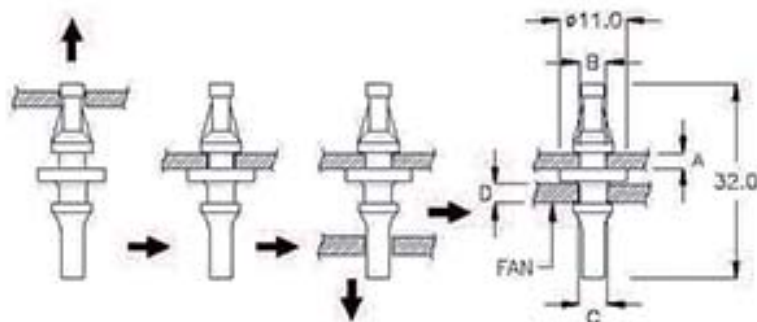
PART NO	A CHASSIS THICKNESS	B HOLE IN CHASSIS	C HOLE IN FAN	D FAN CHASSIS THICKNESS	PACKAGE
SRD-21SA	1.0	ø7.1	ø4.5	4.0	2000

5-18-3

風扇鉚釘 FAN SNAP RIVET



MATERIAL: SILICONE
COLOR: BLACK

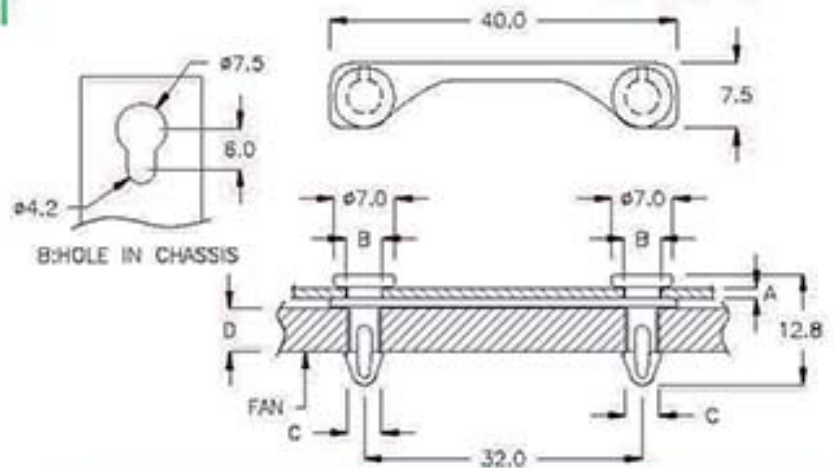


PART NO	A CHASSIS THICKNESS	B HOLE IN CHASSIS	C HOLE IN FAN	D FAN CHASSIS THICKNESS	PACKAGE
SRA-03	3.0	ø4.7	ø4.8	4.0	1000

風扇固定扣 FAN SNAP RIVET



MATERIAL: NYLON 66(UL)
FLAME CLASS: 94V-2
COLOR: BLACK

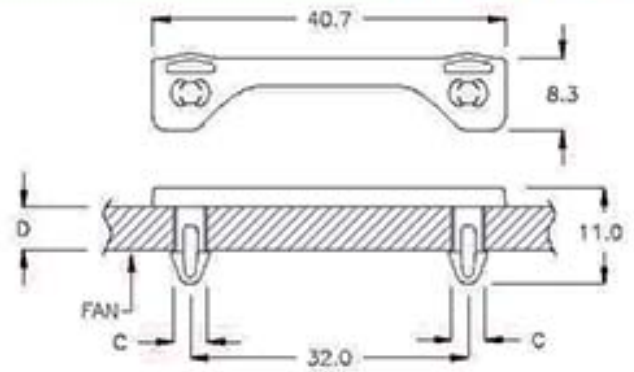


PART NO	A CHASSIS THICKNESS	B HOLE IN CHASSIS	C HOLE IN FAN	D FAN CHASSIS THICKNESS	PACKAGE
LHK-40	1.2	$\phi 4.2$	$\phi 3.5$	5.0	200

風扇固定扣 FAN SNAP RIVET



MATERIAL: NYLON 66(UL)
FLAME CLASS: 94V-2
COLOR: BLACK

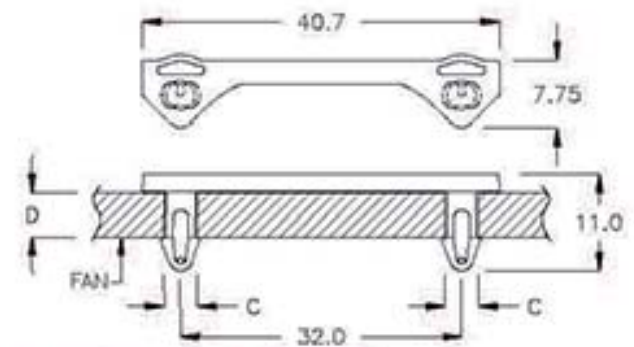


PART NO	C HOLE IN FAN	D FAN CHASSIS THICKNESS	PACKAGE
LHQ-40M	$\phi 3.5$	5.0	200

風扇固定扣 FAN SNAP RIVET



MATERIAL: NYLON 66(UL)
FLAME CLASS: 94V-2
COLOR: BLACK

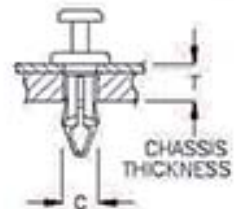
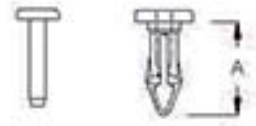


PART NO	C HOLE IN FAN	D FAN CHASSIS THICKNESS	PACKAGE
LHQ-40KP	$\phi 3.5$	5.0	200

鉚釘 MOUNTING BUTTON



MATERIAL: NYLON 66(UL)
FLAME CLASS: 94V-2
COLOR: BLACK



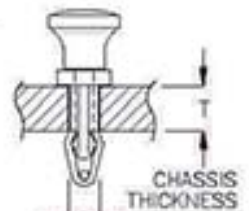
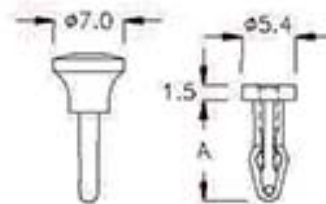
HOLE IN CHASSIS

PART NO	A	C	T CHASSIS THICKNESS	PACKAGE
SR-02Y	8.9	ø3.1	2.5~3.2	2000
SR-03Y	10.0	ø3.2	4.2~4.5	
SR-4Y	12.3	ø4.3	5.6~6.4	
SR-06C	10.8	ø4.5	5.6~6.0	
SR-06Y	10.8	ø4.6	5.6~6.0	
SR-08Y	10.7	ø4.65	5.2~5.7	

尼龍鉚釘 SNAP RIVET



MATERIAL: NYLON 66(UL)
FLAME CLASS: 94V-2
COLOR: BLACK



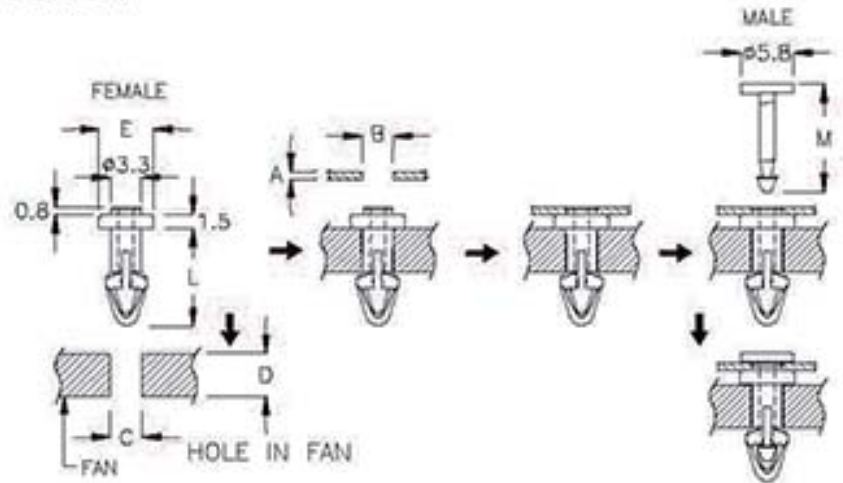
HOLE IN CHASSIS

PART NO	A	C	T CHASSIS THICKNESS	PACKAGE
SRXM-3Y	10.0	ø3.0	4.8	2000

風扇鉚釘 FAN SNAP RIVET



MALE MATERIAL: NYLON 66(UL)
 FLAME CLASS: 94V-0
 FEMALE MATERIAL: TPE
 COLOR: BLACK



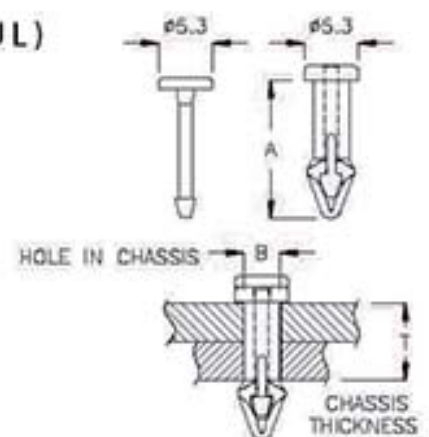
PART NO.	A CHASSIS THICKNESS	B HOLE IN CHASSIS	C HOLE IN FAN	D FAN/CHASSIS THICKNESS	E	L	M	PACKAGE
SQR-3AK	0.8	φ3.5	φ3.5	5.0	φ6.0	10.85	11.8	2000
SQR-3DP	1.0	φ3.5	φ3.5	5.0	φ6.0	10.85	12.0	
SQR-3KM	0.8	φ3.5	φ3.5	4.0	φ6.8	9.95	10.7	
SQR-3GF	1.0	φ3.5	φ3.5	4.0	φ6.8	9.95	10.9	

風扇鉚釘 FAN SNAP RIVET

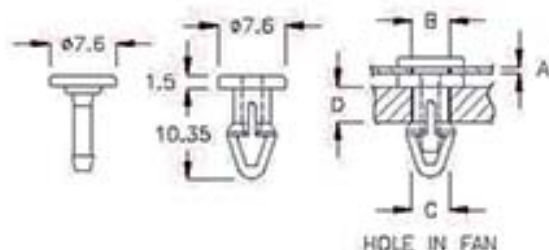


MALE MATERIAL: NYLON 66(UL)
 FLAME CLASS: 94V-2
 FEMALE MATERIAL: TPE
 COLOR: BLACK

PART NO.	A	B HOLE IN CHASSIS	T CHASSIS THICKNESS	PACKAGE
SR-14Y	13.65	φ3.6	B.1~B.3	2000



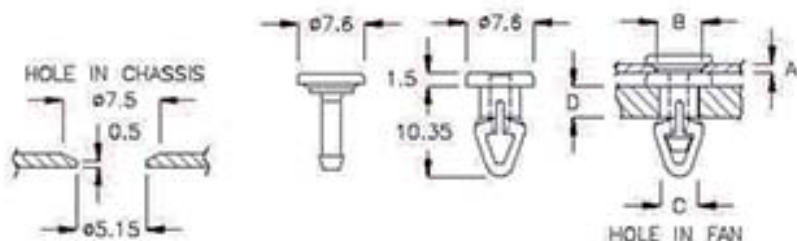
風扇鉚釘 FAN SNAP RIVET



MALE MATERIAL: NYLON 66(UL)
 FLAME CLASS: 94V-2
 FEMALE MATERIAL: PU
 COLOR: BLACK

PART NO	A CHASSIS THICKNESS	B HOLE IN CHASSIS	C HOLE IN FAN	D FAN CHASSIS THICKNESS	PACKAGE
SR-11Y	0.8	φ4.6	φ4.45	4.3~4.5	2000
SR-12Y	0.8	φ4.6	φ4.45	4.5~4.7	
SR-45Y	0.8	φ4.6	φ4.3	3.0	

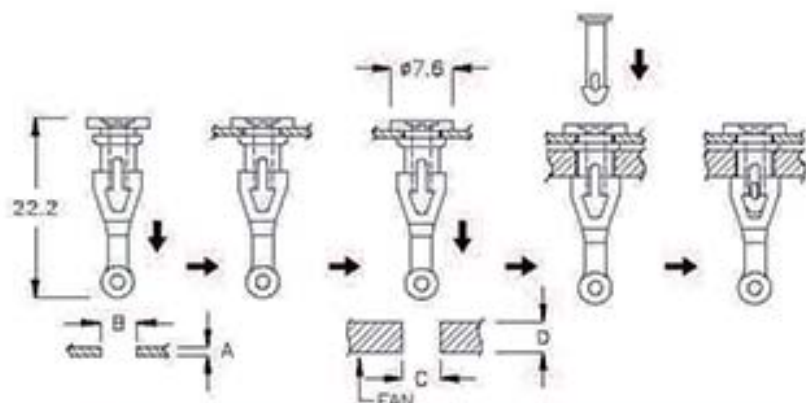
風扇鉚釘 FAN SNAP RIVET



MALE MATERIAL: NYLON 66(UL)
 FLAME CLASS: 94V-2
 FEMALE MATERIAL: TPE
 COLOR: BLACK

PART NO	A CHASSIS THICKNESS	B HOLE IN CHASSIS	C HOLE IN FAN	D FAN CHASSIS THICKNESS	PACKAGE
SR-13Y	1.0	φ5.0	φ4.45	4.0~4.2	2000

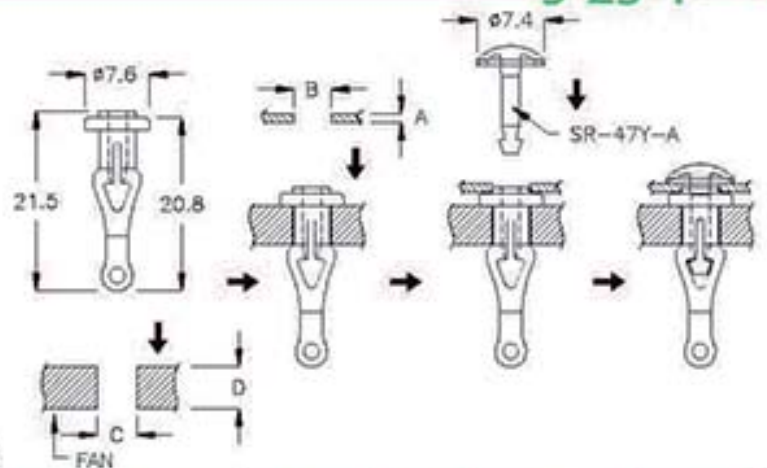
風扇鉚釘 FAN SNAP RIVET



MALE MATERIAL: NYLON 66(UL)
 FLAME CLASS: 94V-2
 FEMALE MATERIAL: TPE
 COLOR: BLACK

PART NO	A CHASSIS THICKNESS	B HOLE IN CHASSIS	C HOLE IN FAN	D FAN CHASSIS THICKNESS	PACKAGE
SR-15Y	1.0	φ4.6	φ4.6	3.8~4.0	2000

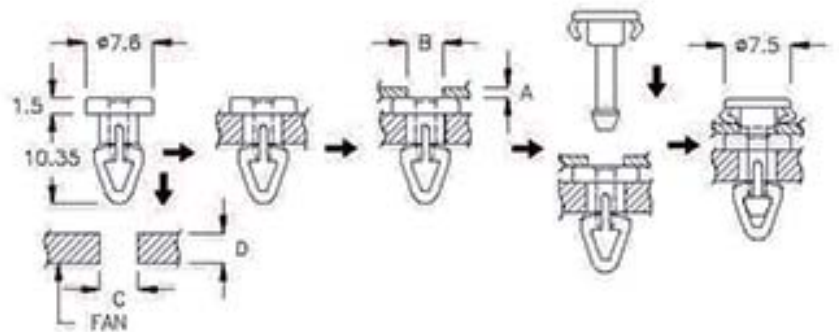
風扇鉚釘 FAN SNAP RIVET



MALE MATERIAL: NYLON 66(UL)
 FLAME CLASS: 94V-2
 FEMALE MATERIAL: TPE
 COLOR: BLACK

PART NO	A CHASSIS THICKNESS	B HOLE IN CHASSIS	C HOLE IN FAN	D FAN CHASSIS THICKNESS	PACKAGE
SRN-4YB	0.8	ø4.5	ø4.3	5.0	1000

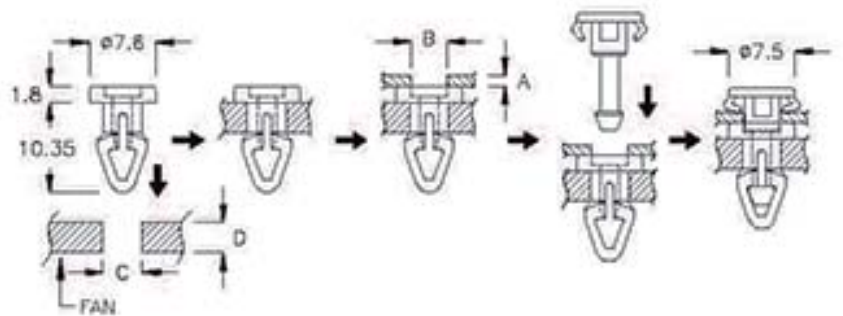
風扇鉚釘 FAN SNAP RIVET



MALE MATERIAL: NYLON 66(UL)
 FLAME CLASS: 94V-2
 FEMALE MATERIAL: TPE
 COLOR: BLACK

PART NO	A CHASSIS THICKNESS	B HOLE IN CHASSIS	C HOLE IN FAN	D FAN CHASSIS THICKNESS	PACKAGE
SR-19Y	0.8	ø4.1	ø4.45	4.0~4.2	2000

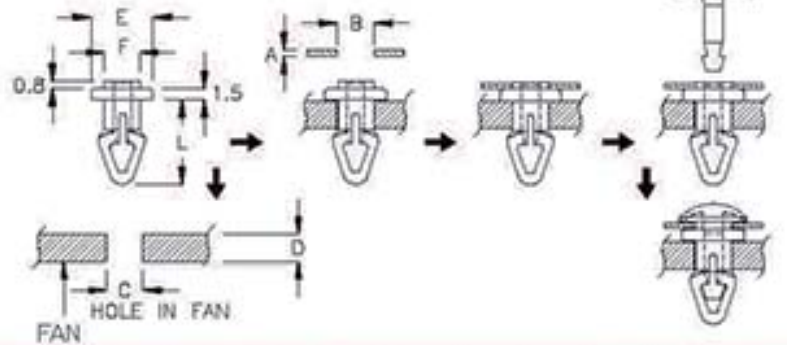
風扇鉚釘 FAN SNAP RIVET



MALE MATERIAL: NYLON 66(UL)
 FLAME CLASS: 94V-2
 FEMALE MATERIAL: TPE
 COLOR: BLACK

PART NO	A CHASSIS THICKNESS	B HOLE IN CHASSIS	C HOLE IN FAN	D FAN CHASSIS THICKNESS	PACKAGE
SR-23Y	1.2	ø4.1	ø4.45	4.0~4.2	2000
SR-24Y	0.8	ø4.1	ø4.45	4.0~4.2	

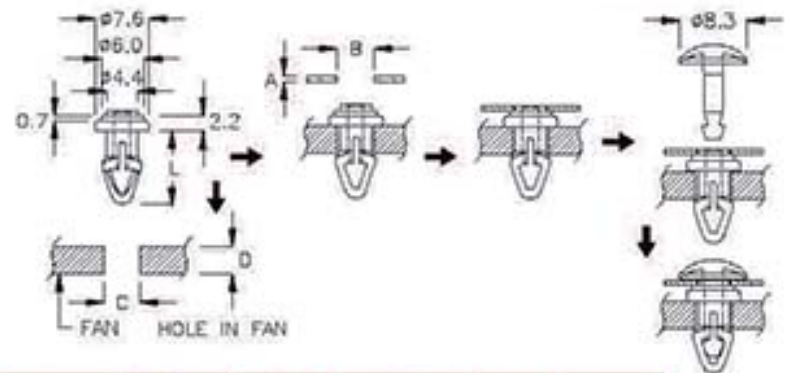
風扇鉚釘 FAN SNAP RIVET



MALE MATERIAL:
 NYLON 66(UL)
 FLAME CLASS: 94V-2
 FEMALE MATERIAL: TPE
 COLOR: BLACK

PART NO	A CHASSIS THICKNESS	B HOLE IN CHASSIS	C HOLE IN FAN	D FAN CHASSIS THICKNESS	E	F	G	L	PACKAGE
SR-38Y	0.8~1.2	φ4.5	φ4.45	4.0	φ7.6	φ4.4	φ8.3	10.35	2000
SR-42Y	0.8~1.0	φ3.5	φ3.5	5.0	φ6.0	φ3.35	φ5.8	11.3	

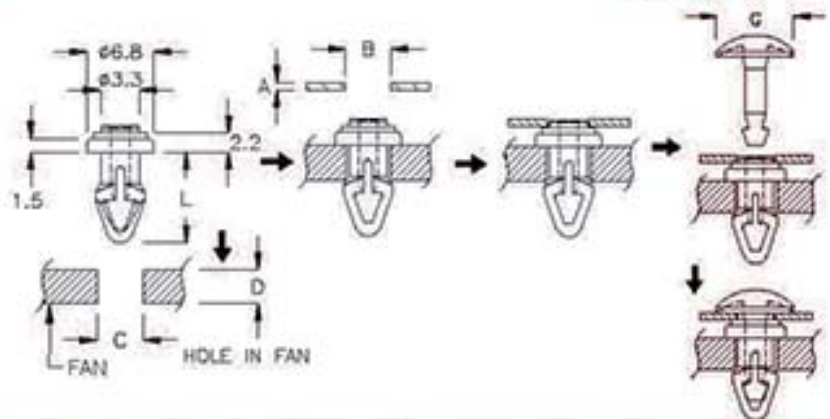
風扇鉚釘 FAN SNAP RIVET



MALE MATERIAL:
 NYLON 66(UL)
 FLAME CLASS: 94V-2
 FEMALE MATERIAL: TPE
 COLOR: BLACK

PART NO	A CHASSIS THICKNESS	B HOLE IN CHASSIS	C HOLE IN FAN	D FAN CHASSIS THICKNESS	L	PACKAGE
SR-39Y	0.8~1.2	φ4.5	φ4.45	4.0	10.35	2000
SR-43Y	0.8~1.2	φ4.5	φ4.3	3.5	9.95	

風扇鉚釘 FAN SNAP RIVET



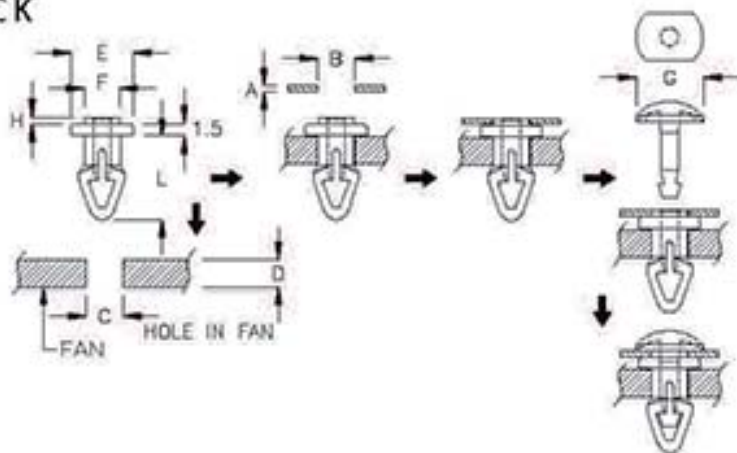
MALE MATERIAL:
 NYLON 66(UL)
 FLAME CLASS: 94V-2
 FEMALE MATERIAL: TPE
 COLOR: BLACK

PART NO	A CHASSIS THICKNESS	B HOLE IN CHASSIS	C HOLE IN FAN	D FAN CHASSIS THICKNESS	G	L	PACKAGE
SR-44Y	0.8	φ3.5	φ3.5	4.0	φ7.5	9.95	2000
SR-48Y	1.0	φ3.5	φ3.5	4.0	φ5.8	9.95	

風扇鉚釘 FAN SNAP RIVET



MALE MATERIAL: NYLON 66(UL)
 FLAME CLASS: 94V-2
 FEMALE MATERIAL: TPE
 COLOR: BLACK

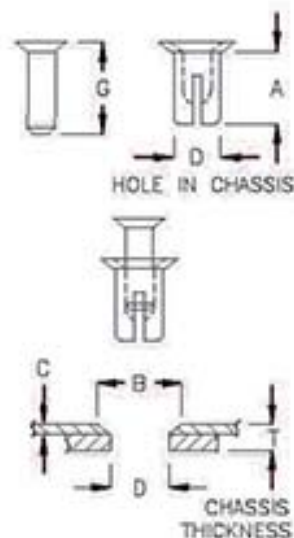


PART NO	A CHASSIS THICKNESS	B HOLE IN CHASSIS	C HOLE IN FAN	D FAN CHASSIS THICKNESS	E	F	G	H	L	PACKAGE
SR-46Y	1.0~1.2	ø4.5	ø4.45	4.0	ø7.8	ø4.4	ø7.4	0.8	10.35	2000
SR-47Y	0.8	ø4.5	ø4.3	5.0	ø7.6	ø4.4	ø7.4	0.7	11.35	

尼龍鉚釘 SNAP RIVET



MATERIAL: NYLON 66(UL)
 FLAME CLASS: 94V-2
 COLOR: BLACK

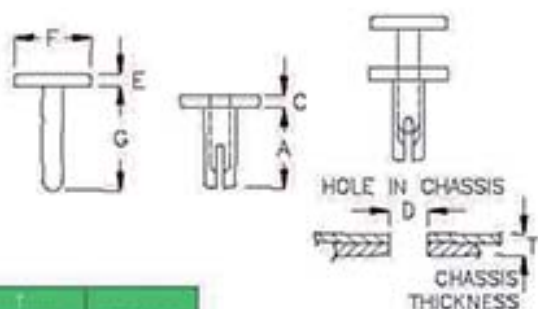


PART NO	A	B	C	D HOLE IN CHASSIS	G	F CHASSIS THICKNESS	PACKAGE
SR-3P	8.25	6.5	1.25	ø3.0	8.65	5.1~5.3	2000
SR-3RY	3.0	5.9	0.8	ø3.4	3.7	2.7~2.95	
SR-4B	6.35	6.5	0.7	ø4.0	7.8	3.5~3.9	
SR-4CA	6.2	6.5	0.8	ø4.0	7.5	3.5~4.9	
SR-4P	8.4	6.5	0.8	ø4.0	9.85	4.3~5.6	
SR-4PF	7.25	5.8	0.9	ø4.0	9.3	5.7~6.0	
SR-4PL	10.4	6.5	0.8	ø4.0	12.8	6.8~8.8	
SR-4PJ	15.0	6.5	1.5	ø3.9	17.45	12.0~13.0	



尼龍鉚釘 SNAP RIVET

MATERIAL: NYLON 66(UL)
FLAME CLASS: 94V-2
COLOR: BLACK

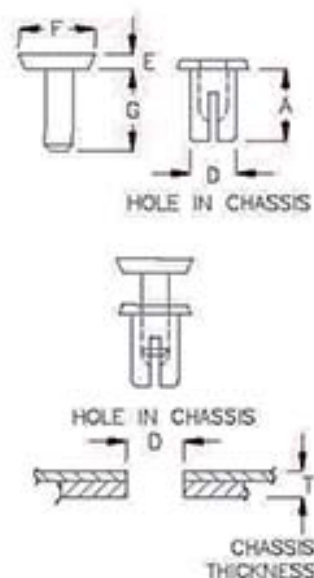


PART NO	A	C	D HOLE IN CHASSIS	E	F	G	T CHASSIS THICKNESS	PACKAGE
★ SR-2MC	3.2	0.8	∅2.0	0.5	∅3.5	4.0	1.3~2.0	2000
★ SR-2QH	4.0	0.8	∅2.0	0.5	∅3.5	4.85	2.0~3.0	
SR-2TK	5.0	0.8	∅2.0	0.75	∅4.8	6.5	2.8~3.5	

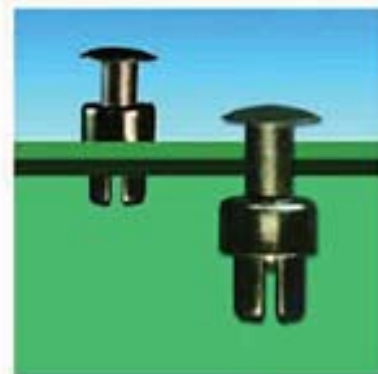


尼龍鉚釘 SNAP RIVET

MATERIAL: NYLON 66(UL)
FLAME CLASS: 94V-2
COLOR: BLACK

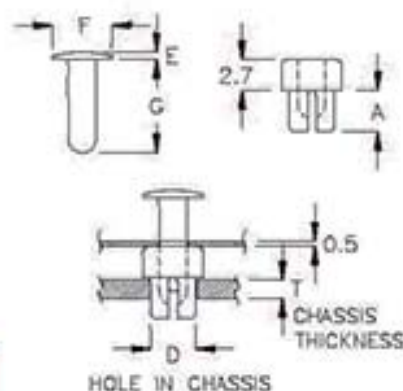


PART NO	A	D HOLE IN CHASSIS	E	F	G	T CHASSIS THICKNESS	PACKAGE
SR-3XK	7.5	∅3.0	1.3	∅5.5	8.3	3.5~4.6	2000
SR-3T	7.6	∅3.0	1.25	∅6.9	9.4	3.5~4.6	
SR-3TW	11.7	∅3.1	1.2	∅5.5	12.7	8.7~9.7	
SR-4T	8.1	∅4.0	1.3	∅7.0	11.0	3.7~5.2	
SR-4K	8.3	∅4.3	1.5	∅7.9	11.4	4.0~6.0	
SR-4LQ	10.5	∅4.5	1.25	∅5.85	12.3	6.0~7.2	



尼龍鉚釘 SNAP RIVET

MATERIAL: NYLON 66(UL)
FLAME CLASS: 94V-2
COLOR: BLACK



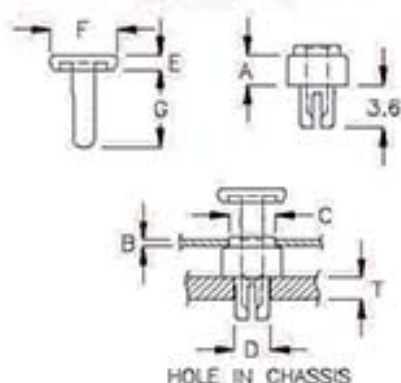
PART NO	A	D HOLE IN CHASSIS	E	F	G	T CHASSIS THICKNESS	PACKAGE
SR-4FH	3.6	∅4.0	0.7	∅5.2	7.9	1.6	2000

5-27-1



尼龍鉚釘 SNAP RIVET

MATERIAL: NYLON 66(UL)
FLAME CLASS: 94V-0
COLOR: BLACK



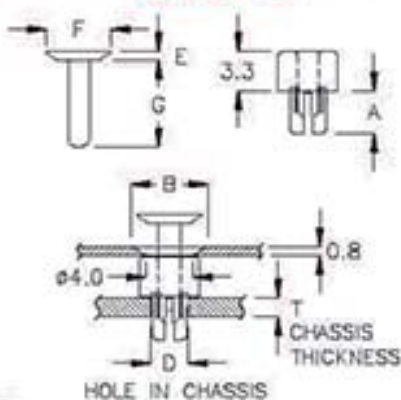
PART NO	A	B CHASSIS THICKNESS	C HOLE IN CHASSIS	D HOLE IN CHASSIS	E	F	G	T CHASSIS THICKNESS	PACKAGE
SRMR-2H	2.5	0.25	ø3.0	ø2.0	1.2	ø4.6	6.4	1.6	2000
SRMR-3D	2.5	0.4	ø4.0	ø3.0	1.2	ø5.6	6.5	1.6	

5-27-2



尼龍鉚釘 SNAP RIVET

MATERIAL: NYLON 66(UL)
FLAME CLASS: 94V-2
COLOR: BLACK



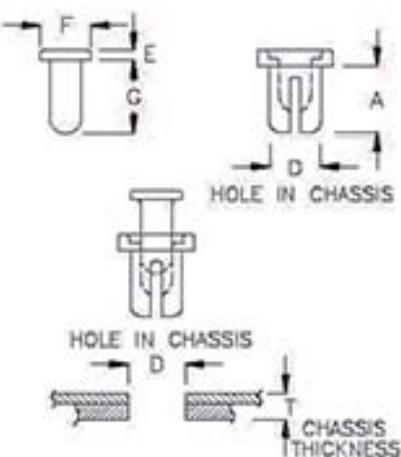
PART NO	A	B HOLE IN CHASSIS	D HOLE IN CHASSIS	E	F	G	T CHASSIS THICKNESS	PACKAGE
SRMT-3C	3.6	ø6.4	ø3.18	0.7	ø5.5	8.3	1.6	2000

5-27-3



尼龍鉚釘 SNAP RIVET

MATERIAL: NYLON 66(UL)
FLAME CLASS: 94V-2
COLOR: BLACK



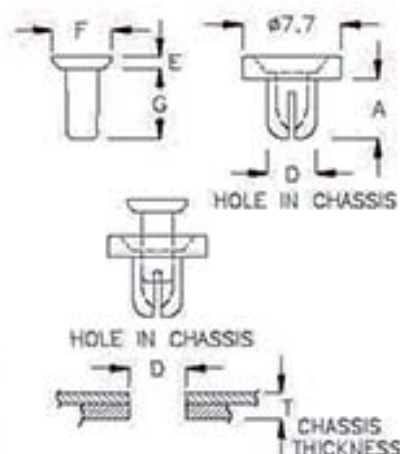
PART NO	A	D HOLE IN CHASSIS	E	F	C	T CHASSIS THICKNESS	PACKAGE
SRMF-4C	5.0	ø4.0	0.7	ø3.8	5.6	2.6	2000



尼龍鉚釘 SNAP RIVET

MATERIAL: NYLON 66(UL)
FLAME CLASS: 94V-2
COLOR: BLACK

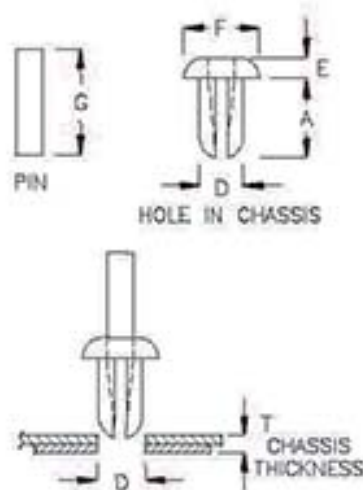
PART NO	A	D HOLE IN CHASSIS	E	F	G	T CHASSIS THICKNESS	PACKAGE
SR-4XT	4.7	φ4.0	0.9	φ4.65	5.5	1.8~2.5	2000



尼龍鉚釘 SNAP RIVET

MATERIAL: NYLON 66(UL)
FLAME CLASS: 94V-2
COLOR: NATURAL

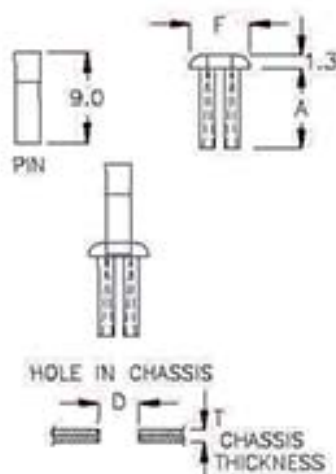
PART NO	A	D HOLE IN CHASSIS	E	F	G	T CHASSIS THICKNESS	PACKAGE
MAA-3C	5.8	φ3.2	1.5	φ5.55	7.7	2.5~3.0	2000
MAA-4C	13.7	φ4.7	2.75	φ8.15	16.0	8.4~9.0	

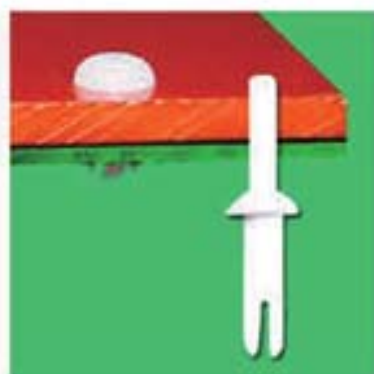


尼龍鉚釘 SNAP RIVET

MATERIAL: NYLON 66(UL)
FLAME CLASS: 94V-2
COLOR: NATURAL

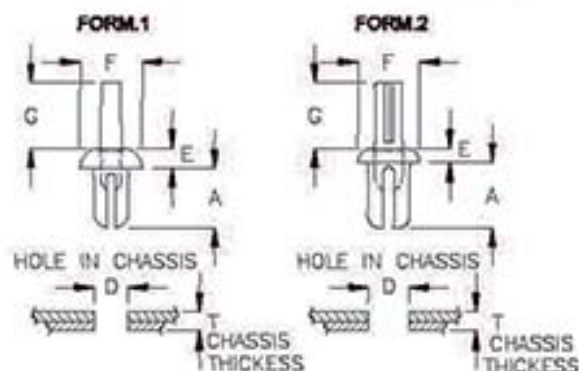
PART NO	A	D HOLE IN CHASSIS	F	T CHASSIS THICKNESS	PACKAGE
MAB-3A	8.0	φ4.0	φ6.0	0.8~1.2	2000





鉚釘 SNAP RIVET

MATERIAL: POM
COLOR: NATURAL

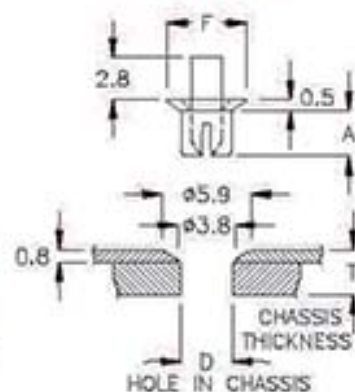


PART NO	A	D HOLE IN CHASSIS	E	F	G	T CHASSIS THICKNESS	FORM	PACKAGE
SRX-3DF	7.0	ø3.0	2.0	ø5.6	8.8	2.0~3.0	1	2000
SRX-3A	7.05	ø3.6	2.0	ø6.2	8.8	2.0~5.0	1	
SRX-4P	7.0	ø4.0	2.0	ø6.6	8.8	2.0~5.0	1	
SRX-5M	7.1	ø5.0	2.0	ø7.6	8.8	2.0~5.0	2	
SRX-6K	7.1	ø6.0	2.0	ø8.6	8.8	2.0~5.0	2	



鉚釘 SNAP RIVET

MATERIAL: NYLON 66(UL)
FLAME CLASS: 94V-2
COLOR: BLACK

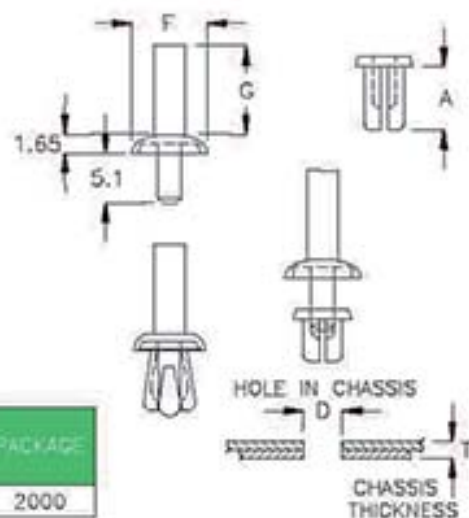


PART NO	A	D HOLE IN CHASSIS	F	T CHASSIS THICKNESS	PACKAGE
SRXD-3A	3.0	ø3.4	ø5.2	2.95	2000



尼龍鉚釘 SNAP RIVET

MATERIAL: NYLON 66(UL)
FLAME CLASS: 94V-2
COLOR: BLACK



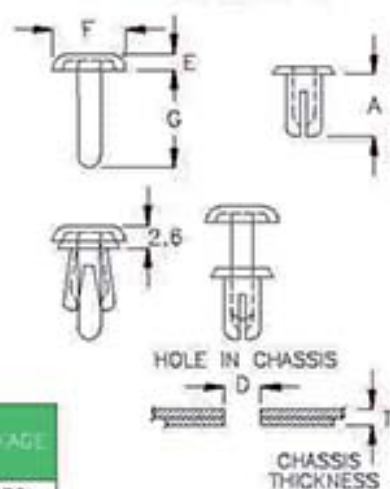
PART NO	A	D HOLE IN CHASSIS	F	G	T CHASSIS THICKNESS	PACKAGE
SR-3FK	3.5	ø3.5	ø8.0	10.0	1.0~1.5	2000

5-30-1



尼龍鉚釘 SNAP RIVET

MATERIAL: NYLON 66(UL)
FLAME CLASS: 94V-2
COLOR: BLACK



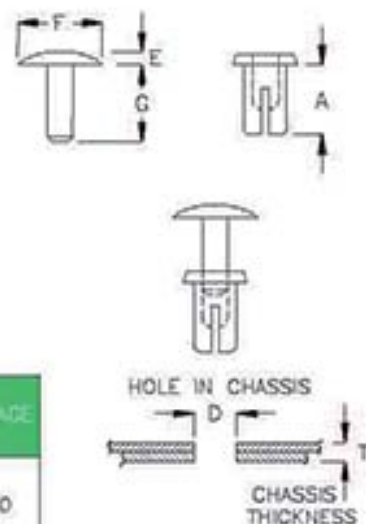
PART NO	A	D HOLE IN CHASSIS	E	F	G	T CHASSIS THICKNESS	PACKAGE
SR-4RK	7.0	ø4.0	1.8	ø8.2	11.0	4.5~5.4	2000

5-30-2



尼龍鉚釘 SNAP RIVET

MATERIAL: NYLON 66(UL)
FLAME CLASS: 94V-2
COLOR: BLACK



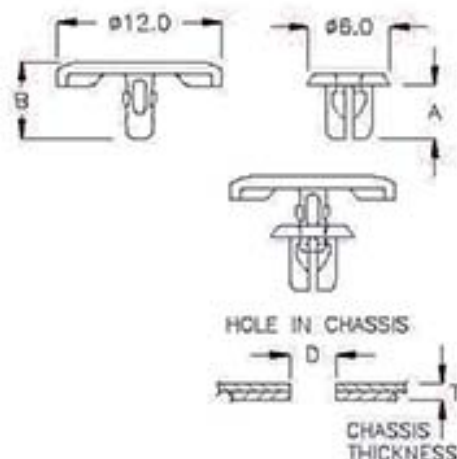
PART NO	A	D HOLE IN CHASSIS	E	F	G	T CHASSIS THICKNESS	PACKAGE
SR-04C	8.0	ø4.2	0.75	ø7.0	10.75	3.8~5.6	2000
SR-4CK	8.0	ø4.05	1.0	ø7.0	11.0	2.4~5.9	
SR-4LC	12.4	ø4.0	0.9	ø5.4	14.7	7.5~8.5	

5-30-3



尼龍鉚釘 SNAP RIVET

MALE MATERIAL: PC(UL)
FLAME CLASS: 94V-0
COLOR: WHITE
FEMALE MATERIAL:
NYLON 66(UL)
FLAME CLASS: 94V-0
COLOR: NATURAL



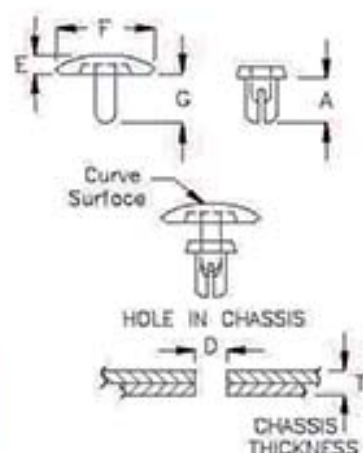
PART NO	A	B	D HOLE IN CHASSIS	T CHASSIS THICKNESS	PACKAGE
★ SRMQ-3BW	4.0	5.5	ø3.5	1.9~2.3	1000



鉚釘 SNAP RIVET

SR-3SP MALE COLOR: WHITE
 SR-3SP FEMALE COLOR:
 NATURAL
 SR-3PF COLOR: BLACK

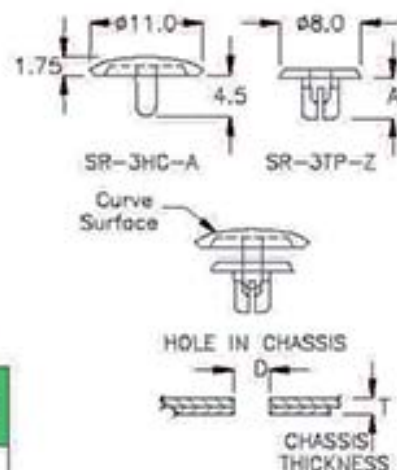
PART NO	MATERIAL		A	D HOLE IN CHASSIS	C	F	G	T CHASSIS THICKNESS	PACKAGE
SR-3SP	MALE	PC V0	4.3	ø3.0	1.75	ø9.4	4.7	1.2~2.0	2000
	FEMALE	N66 V0							
SR-3PF	N66 V2		3.65	ø3.2	1.6	ø8.5	5.0	1.5~1.8	



尼龍鉚釘 SNAP RIVET

MALE MATERIAL: PC(UL)
 FLAME CLASS: 94V-0
 COLOR: WHITE
 FEMALE MATERIAL:
 NYLON 66(UL)
 FLAME CLASS: 94V-0
 COLOR: NATURAL

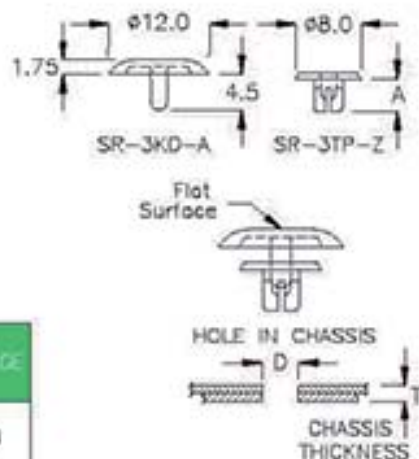
PART NO	A	D HOLE IN CHASSIS	T CHASSIS THICKNESS	PACKAGE
SR-3HC-A	4.0	ø3.5	1.9~2.3	2000
SR-3TP-Z				



尼龍鉚釘 SNAP RIVET

MALE MATERIAL: PC(UL)
 FLAME CLASS: 94V-0
 COLOR: WHITE
 FEMALE MATERIAL:
 NYLON 66(UL)
 FLAME CLASS: 94V-0
 COLOR: NATURAL

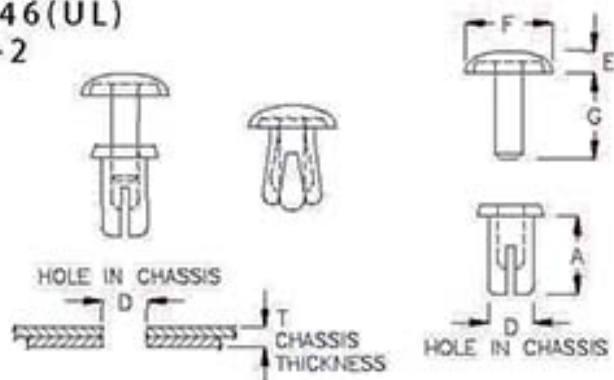
PART NO	A	D HOLE IN CHASSIS	T CHASSIS THICKNESS	PACKAGE
SR-3KD-A	4.0	ø3.5	1.9~2.3	2000
SR-3TP-Z				



尼龍鉚釘 SNAP RIVET



MATERIAL: NYLON 66(UL)
 FLAME CLASS: 94V-2
 MATERIAL: NYLON 46(UL)
 FLAME CLASS: 94V-2
 COLOR: BLACK

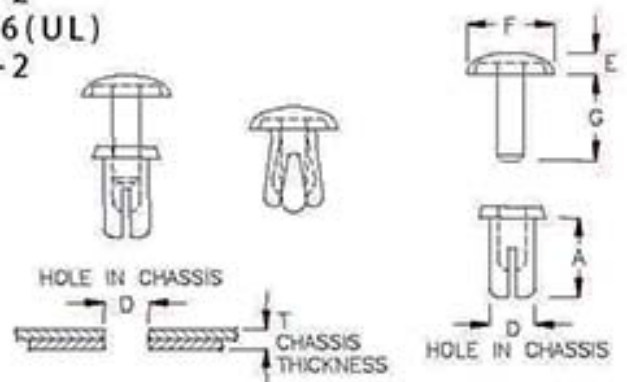


PART NO	A	D HOLE IN CHASSIS	T CHASSIS THICKNESS	E	F	G	MATERIAL	PACKAGE
SR-1FM	3.5	ø1.5	2.0~2.5	1.2	ø4.0	3.3	N66	2000
SR-2CW	3.3	ø1.9	1.6~2.0	1.2	ø4.3	3.6		
SR-2	3.3	ø2.0	1.0~1.7	1.2	ø4.3	4.2		
SR-2AF	3.6	ø2.0	1.5~2.0	1.2	ø4.3	3.6		
SR-2BT	4.0	ø2.0	1.8~2.5	1.2	ø4.3	4.5		
SR-2DS	4.5	ø2.0	2.2~3.0	1.2	ø4.3	5.0		
SR-2FR	5.5	ø2.0	2.5~3.5	1.2	ø4.3	5.8		
SR-2K	6.1	ø2.0	3.5~4.5	1.2	ø4.3	6.2		
SR-2F	2.8	ø2.1	0.6~1.2	1.2	ø4.3	3.6		
SR-2H	4.4	ø2.1	1.7~2.8	1.2	ø4.3	5.2		
SR-2J	5.2	ø2.1	2.8~3.6	1.2	ø4.3	6.5		
SR-2RC	4.6	ø2.2	2.8~3.3	1.2	ø4.3	5.5		
SR-2GQ	3.6	ø2.5	0.5~1.0	1.5	ø5.0	3.5		
SR-2HY	4.0	ø2.5	0.8~1.6	1.5	ø5.0	4.5		
SR-2.5S	4.6	ø2.5	0.8~2.5	1.5	ø5.0	4.3		
SR-2JB	5.0	ø2.5	2.0~3.0	1.5	ø5.0	5.5		
SR-2KY	5.5	ø2.5	2.5~3.5	1.5	ø5.0	6.0		
SR-2NT	6.0	ø2.5	3.0~4.0	1.5	ø5.0	6.5		
SR-2GF	4.2	ø2.6	2.0~3.0	1.45	ø5.0	4.75		
★ SR-2.5	4.4	ø2.6	2.0~2.8	1.5	ø5.0	4.5		
★ SR-2PD	4.8	ø2.6	2.5~3.4	1.4	ø5.0	4.85		
SR-2.7F	3.6	ø2.7	1.0~2.0	1.5	ø5.0	4.0		
SR-2.7H	5.2	ø2.7	2.7~3.6	1.5	ø5.0	5.6		
SR-2.7J	5.9	ø2.7	3.4~4.3	1.5	ø5.0	6.3		
SR-3AQ	3.5	ø3.0	0.8~1.5	1.65	ø6.2	3.8		
SR-3YK	3.65	ø3.0	1.0~2.0	1.65	ø6.2	5.0		
SR-3S	3.9	ø3.0	1.2~2.2	1.8	ø6.4	5.5		
★ SR-3GC	4.5	ø3.0	1.0~2.0	1.8	ø6.0	5.5		
★ SR-3HG	4.5	ø3.0	2.0~3.0	1.6	ø6.4	6.1	N46	
SR-3TY	4.5	ø3.0	2.0~3.0	1.65	ø6.2	6.25	N66	
SR-3MK	5.5	ø3.0	2.0~3.0	1.6	ø6.3	7.05		
SR-3MC	5.5	ø3.0	2.5~3.3	1.6	ø6.3	6.2		
SR-3JW	5.6	ø3.0	3.0~3.5	1.55	ø6.2	6.2		
SR-3M	5.7	ø3.0	2.2~3.5	1.8	ø6.4	5.9		
SR-3Q	5.8	ø3.0	1.8~3.3	2.0	ø6.4	6.5		

尼龍鉚釘 SNAP RIVET



MATERIAL: NYLON 66(UL)
 FLAME CLASS: 94V-2
 MATERIAL: NYLON 6(UL)
 FLAME CLASS: 94V-2
 COLOR: BLACK

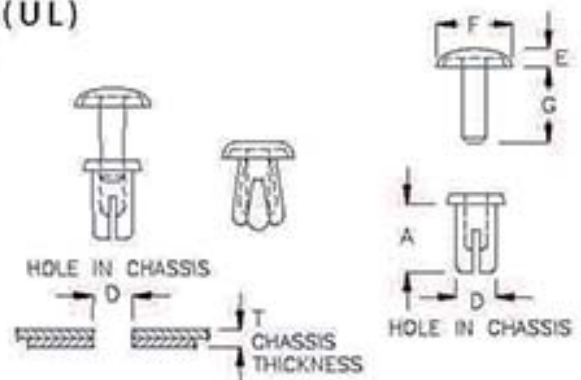


PART NO	A	D HOLE IN CHASSIS	T CHASSIS THICKNESS	E	F	G	MATERIAL	PACKAGE
SR-3LK	5.8	ø3.0	3.5~4.0	1.7	ø5.85	6.1	N66	2000
SR-3L	6.2	ø3.0	1.5~3.5	2.0	ø6.4	6.4		
SR-3XL	6.5	ø3.0	4.0~5.0	1.7	ø6.3	7.5		
SR-3BR	7.0	ø3.0	4.5~5.5	1.65	ø6.2	7.5		
SR-3B	7.6	ø3.0	3.5~4.6	1.7	ø6.2	8.5		
SR-3C	8.0	ø3.0	3.5~5.5	1.6	ø6.2	9.1		
SR-3V	8.3	ø3.0	5.0~6.3	1.6	ø6.2	8.6		
SR-3LC	9.3	ø3.0	6.3~7.3	1.6	ø6.2	9.6		
SR-3MP	10.3	ø3.0	7.3~8.3	1.6	ø6.2	10.6		
SR-3MQ	11.3	ø3.0	8.3~9.3	1.6	ø6.2	11.6		
SR-3LO	12.3	ø3.0	9.3~10.3	1.6	ø6.2	12.6		
SR-3QF	13.3	ø3.0	10.3~11.3	1.6	ø6.2	13.6		
SR-3NR	4.5	ø3.1	2.0~3.0	1.6	ø6.4	6.1		
★ SR-3FY	4.5	ø3.1	2.0~3.0	1.6	ø6.4	6.1		
★ SR-3WG	5.5	ø3.1	3.0~4.0	1.6	ø6.4	6.2		
SR-03K	10.5	ø3.1	8.0~8.5	1.2	ø5.9	11.6	N66	
SR-03D	15.6	ø3.1	11.5~12.8	1.7	ø6.3	15.9		
SR-03U	4.6	ø3.2	1.5~3.0	1.8	ø6.2	5.7		
SR-3W	13.0	ø3.3	9.0~10.5	1.7	ø5.3	13.3		
SR-3CL	4.5	ø3.5	2.0~2.5	1.6	ø6.4	6.1		
SR-3	5.7	ø3.5	2.5~4.0	1.8	ø6.7	6.6		
SR-3DX	6.0	ø3.5	3.5~4.5	1.6	ø6.2	6.5		
SR-3FL	6.5	ø3.5	4.0~5.0	1.6	ø6.2	7.0		
SR-3GR	7.0	ø3.5	4.5~5.5	1.6	ø6.2	7.5		
SR-3HA	7.5	ø3.5	5.0~6.0	1.6	ø6.2	8.0		
SR-3NB	8.0	ø3.5	5.5~6.5	1.6	ø6.2	8.5		
SR-3SD	8.5	ø3.5	5.2~6.3	1.8	ø6.7	9.9		
SR-3AC	8.6	ø3.5	5.5~6.5	1.6	ø6.2	8.9		
SR-3MF	9.6	ø3.5	6.5~7.5	1.6	ø6.2	9.9		
SR-3CK	4.5	ø3.6	2.0~2.8	1.6	ø6.4	5.0	N6	
SR-3CF	4.7	ø3.6	2.0~2.8	1.6	ø6.4	5.0		
★ SR-3DR	5.1	ø3.6	2.7~3.6	1.65	ø6.3	6.25		
SR-3DK	7.0	ø3.6	4.3~5.3	1.6	ø6.4	7.5	N66	
SR-3WJ	9.3	ø3.8	5.0~6.5	1.7	ø6.7	11.3		
★ SR-3KF	6.0	ø3.6	3.7~4.6	1.8	ø6.4	7.1	N6	

尼龍鉚釘 SNAP RIVET



MATERIAL: NYLON 66(UL)
 FLAME CLASS: 94V-2
 COLOR: BLACK

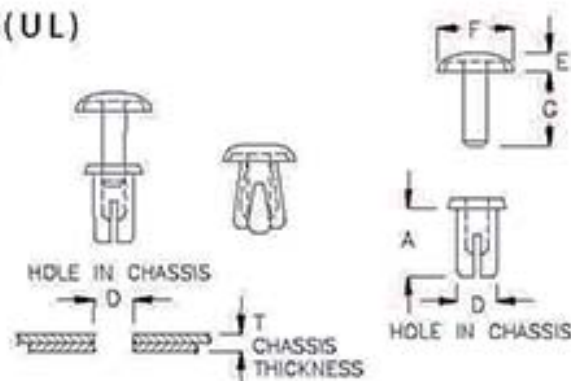


PART NO	A	D HOLE IN CHASSIS	T CHASSIS THICKNESS	F	F	G	PACKAGE
SR-40S	4.4	ø4.0	1.0~2.2	2.1	ø7.9	4.55	2000
SR-4Q	5.0	ø4.0	1.1~3.1	2.1	ø7.9	6.0	
SR-4QR	5.3	ø4.0	3.0~3.5	1.8	ø7.0	5.35	
SR-4FM	5.5	ø4.0	2.2~2.8	2.1	ø7.9	6.0	
★ SR-4TF	5.0	ø4.0	2.5~3.5	1.9	ø7.8	6.2	
SR-4KC	6.0	ø4.0	2.5~3.5	1.9	ø7.7	7.0	
SR-4	6.2	ø4.0	2.0~4.5	1.9	ø7.9	7.3	
SR-4WA	6.2	ø4.0	2.7~4.0	2.0	ø7.9	6.5	
SR-4HP	6.2	ø4.0	3.5~4.0	1.9	ø7.7	7.2	
★ SR-4BR	6.5	ø4.0	3.2~3.8	2.1	ø7.9	6.8	
SR-04F	7.0	ø4.0	3.8~4.6	2.0	ø8.0	9.0	
SR-4RW	7.1	ø4.0	4.5~5.0	2.0	ø8.0	8.1	
SR-4LF	7.5	ø4.0	5.0~5.5	1.9	ø7.7	8.5	
SR-4N	7.8	ø4.0	5.4~6.0	1.8	ø8.1	8.8	
SR-4S	8.0	ø4.0	3.6~5.0	1.7	ø7.0	8.8	
★ SR-4GB	8.1	ø4.0	5.5~6.5	2.0	ø8.0	9.0	
★ SR-4YH	8.5	ø4.0	5.2~5.8	2.1	ø7.9	8.8	
★ SR-4PW	9.0	ø4.0	6.5~7.5	2.0	ø8.0	10.2	
SR-4M	9.7	ø4.0	6.0~7.0	1.7	ø7.0	11.1	
SR-4J	10.0	ø4.0	5.5~7.6	1.8	ø8.2	11.0	
SR-4QP	10.0	ø4.0	7.5~8.5	2.0	ø8.0	10.5	
SR-4FQ	11.4	ø4.0	8.5~9.5	1.95	ø8.0	11.9	
SR-4L	12.3	ø4.0	7.5~8.5	1.7	ø7.9	14.1	
SR-4XN	12.4	ø4.0	7.8~8.5	1.7	ø5.5	14.1	
SR-4MK	12.4	ø4.0	9.5~10.5	1.95	ø8.0	12.9	
SR-4QJ	13.4	ø4.0	10.5~11.5	1.95	ø8.0	13.9	
SR-04D	15.6	ø4.0	11.2~12.5	1.7	ø6.7	15.9	
SR-4PT	20.0	ø4.0	15.0~17.5	1.9	ø8.0	20.3	

尼龍鉚釘 SNAP RIVET



MATERIAL: NYLON 66(UL)
 FLAME CLASS: 94V-2
 COLOR: BLACK



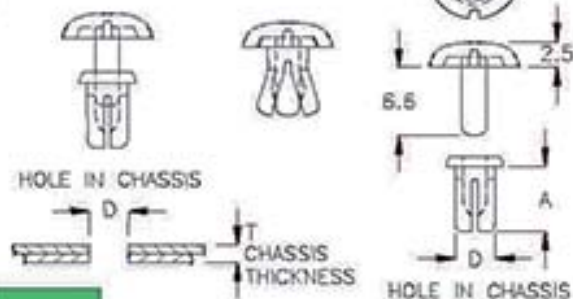
PART NO	A	D HOLE IN CHASSIS	T CHASSIS THICKNESS	E	F	C	PACKAGE
SR-4PK	20.0	ø4.0	17.5~18.0	1.7	ø6.8	20.3	2000
SR-4PH	21.0	ø4.0	18.0~18.5	1.7	ø6.8	21.3	
SR-4HK	5.1	ø4.1	2.0~3.2	1.8	ø6.15	6.3	
SR-4LK	6.1	ø4.1	3.5~4.2	1.8	ø6.15	7.1	
SR-4FK	7.0	ø4.1	4.5~5.4	1.8	ø6.0	7.5	
SR-4JK	8.9	ø4.1	5.6~6.6	1.8	ø6.1	10.9	
SR-4JM	9.9	ø4.1	7.5~8.3	1.8	ø6.1	10.9	
SR-4KS	8.3	ø4.3	4.0~6.0	1.7	ø7.6	10.2	
SR-4KT	8.3	ø4.3	4.0~6.0	1.7	ø9.6	10.2	
SR-04I	10.5	ø4.3	7.1~8.1	2.0	ø7.9	12.5	
SR-4SF	12.3	ø4.3	8.0~9.0	1.2	ø5.9	13.8	
SR-4LT	10.2	ø4.5	5.0~6.0	1.7	ø7.9	12.1	
SR-4LA	12.3	ø4.5	7.8~9.0	1.7	ø7.9	14.1	
SR-5S	4.6	ø5.0	1.0~2.0	2.1	ø8.9	6.7	
★ SR-5YN	5.5	ø5.0	2.0~3.0	2.2	ø8.2	5.7	
★ SR-5TC	5.5	ø5.0	2.5~3.5	2.2	ø8.9	6.0	
SR-5	7.8	ø5.0	3.8~5.0	2.2	ø8.9	8.3	
SR-05F	4.7	ø5.1	1.5~2.5	2.2	ø9.0	5.5	
SR-05M	5.5	ø5.1	2.5~3.2	2.2	ø9.0	6.0	
SR-05D	6.5	ø5.1	3.5~4.3	2.2	ø9.0	7.0	
SR-05H	7.7	ø5.1	4.5~5.5	2.2	ø9.0	8.5	
SR-05J	8.7	ø5.1	5.5~6.5	2.3	ø9.1	9.5	
SR-05K	9.7	ø5.1	6.5~7.5	2.3	ø9.1	10.6	
SR-05L	10.7	ø5.1	7.5~8.5	2.2	ø9.0	11.5	
SR-6MD	6.2	ø6.0	2.5~4.0	2.5	ø12.0	8.9	1000
SR-6NT	6.2	ø6.1	2.5~4.0	2.5	ø12.0	8.9	
SR-07C	11.2	ø7.0	8.0~9.0	1.8	ø12.0	12.0	2000

5-36-1



尼龍鉚釘 SNAP RIVET

MATERIAL: NYLON 46(UL)
FLAME CLASS: 94V-2
COLOR: BLACK



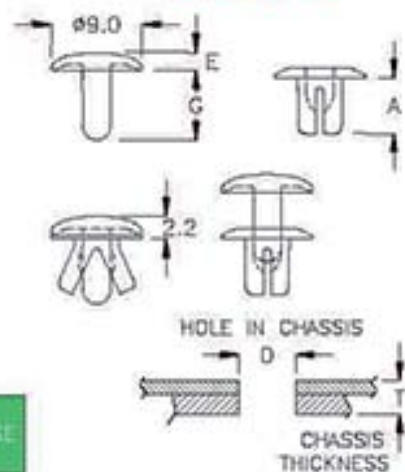
PART NO	A	D HOLE IN CHASSIS	T CHASSIS THICKNESS	PACKAGE
★ SR-4AH	6.4	φ4.0	3.5~4.5	2000

5-36-2



尼龍鉚釘 SNAP RIVET

MATERIAL: NYLON 66(UL)
FLAME CLASS: 94V-2
COLOR: BLACK



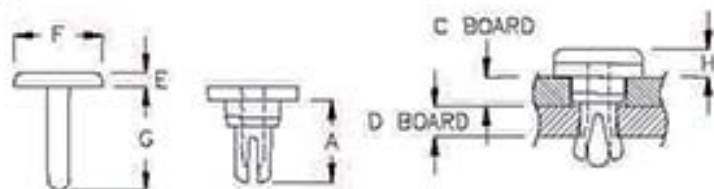
PART NO	A	D HOLE IN CHASSIS	E	G	T CHASSIS THICKNESS	PACKAGE
SR-4ZT	5.5	φ4.5	1.8	6.9	1.5~3.0	2000

5-36-3



尼龍鉚釘 SNAP RIVET

MATERIAL: NYLON 66(UL)
FLAME CLASS: 94V-2
COLOR: BLACK

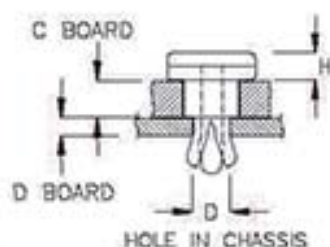
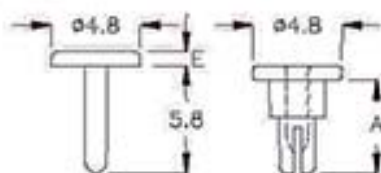


PART NO	A	C BOARD HOLE DIA	D BOARD HOLE DIA	C BOARD THICKNESS	D BOARD THICKNESS	E	F	G	H	PACKAGE
SRFK-2H	3.3	φ2.4	φ1.8	1.1	1.0~1.2	0.5	φ3.5	4.3	1.0	2000
SRFK-2D	4.4	φ3.0	φ2.0	1.6	0.8~1.6	0.75	φ4.8	5.6	1.5	
SRFK-2C	5.4	φ3.0	φ2.0	2.6	0.8~1.6	0.75	φ4.8	6.6	1.5	
SRFK-2F	6.4	φ3.0	φ2.0	3.6	0.8~1.6	0.75	φ4.8	7.6	1.5	



尼龍鉚釘 SNAP RIVET

MATERIAL: NYLON 66(UL)
FLAME CLASS: 94V-2
COLOR: NATURAL

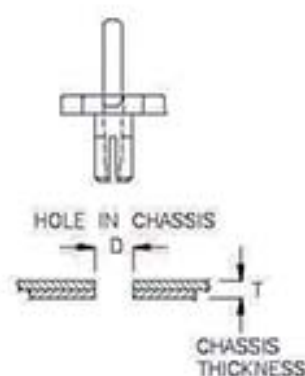
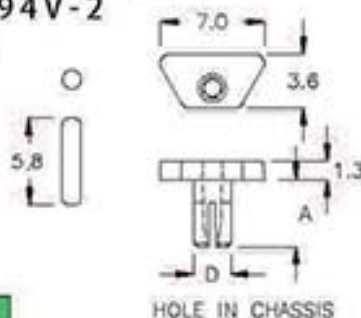


PART NO	A	E	H	C BOARD HOLE DA	D BOARD HOLE DA	C BOARD THICKNESS	D BOARD THICKNESS	PACKAGE
SRFX-2RT	5.0	0.75	1.5	φ3.0	φ2.0	2.1	0.8~1.6	2000



尼龍鉚釘 SNAP RIVET

MATERIAL: NYLON 66(UL)
FLAME CLASS: 94V-2
COLOR: BLACK

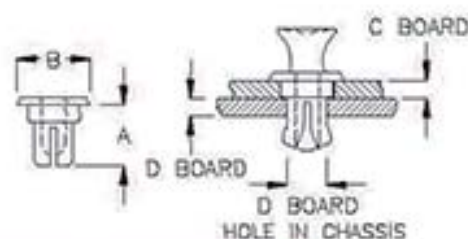
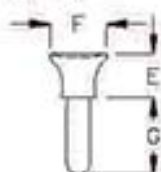


PART NO	HOLE D	A	T CHASSIS THICKNESS	PACKAGE
STR-4C	φ2.6	4.5	3.0~3.1	2000



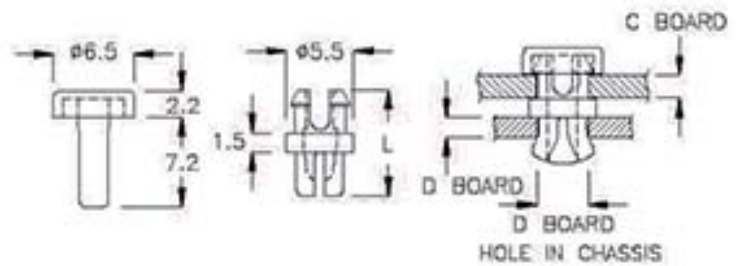
固定扣 NIFLATCH

MATERIAL: NYLON 66(UL)
FLAME CLASS: 94V-2
COLOR: BLACK



PART NO	A	B	C BOARD HOLE DA	D BOARD HOLE DA	C BOARD THICKNESS	D BOARD THICKNESS	E	F	G	PACKAGE
SRDW-2H	3.3	φ4.8	φ2.4	φ1.8	1.1	1.0~1.2	3.0	φ4.0	4.3	2000
SRDW-2D	4.4	φ4.8	φ3.0	φ2.0	1.6	0.8~1.6	3.5	φ4.5	5.6	
SRDW-2C	5.4	φ4.8	φ3.0	φ2.0	2.6	0.8~1.6	3.5	φ4.5	6.6	
SRDW-2F	6.4	φ4.8	φ3.0	φ2.0	3.6	0.8~1.6	3.5	φ4.5	7.6	
SR-4KK	7.0	φ8.5	φ6.0	φ4.5	2.0	2.0	5.0	φ6.6	8.9	

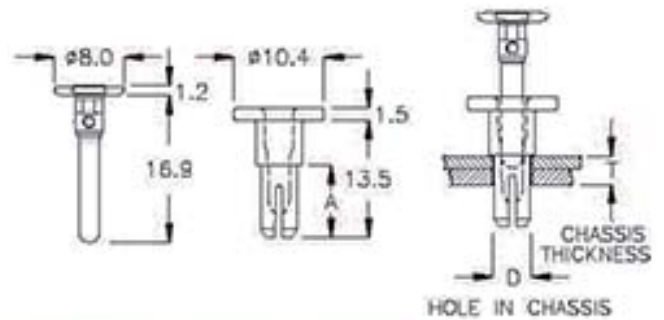
尼龍鉚釘 SNAP RIVET



MATERIAL: NYLON 66(UL)
FLAME CLASS: 94V-2
COLOR: BLACK

PART NO	C BOARD HOLE DIA	D BOARD HOLE DIA	C BOARD THICKNESS	D BOARD THICKNESS	L	PACKAGE
SRQM-4C	$\phi 4.2$	$\phi 4.0$	2.0	1.6	8.6	500

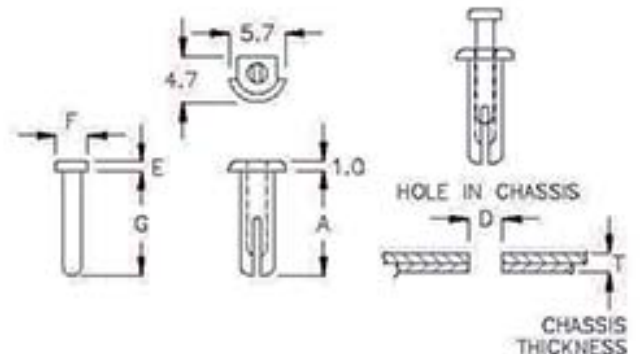
尼龍鉚釘 SNAP RIVET



MATERIAL: NYLON 66(UL)
FLAME CLASS: 94V-2
COLOR: BLACK

PART NO	A	D HOLE IN CHASSIS	T CHASSIS THICKNESS	PACKAGE
SRMD-4D	8.3	$\phi 4.5$	4.0	2000

尼龍鉚釘 SNAP RIVET



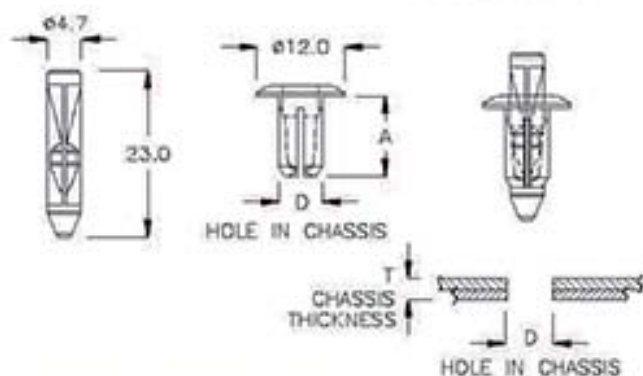
MATERIAL: NYLON 66(UL)
FLAME CLASS: 94V-2
COLOR: BLACK

PART NO	A	D HOLE IN CHASSIS	E	F	G	T CHASSIS THICKNESS	PACKAGE
SRQ-3AH	10.5	$\phi 3.5$	1.0	$\phi 3.4$	11.0	8.0	2000
SRQ-3PT	12.0	$\phi 3.5$	1.0	$\phi 3.4$	13.0	8.0	

尼龍鉚釘 SNAP RIVET



MATERIAL: NYLON 66(UL)
FLAME CLASS: 94V-2
COLOR: BLACK



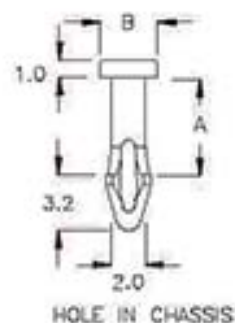
PART NO	A	D HOLE IN CHASSIS	T CHASSIS THICKNESS	PACKAGE
SR-12A	11.0	$\phi 6.1$	7.7~8.3	2000

鉚釘 CANOE CLIP



MATERIAL: NYLON 66(UL)
FLAME CLASS: 94V-2
COLOR: NATURAL

PART NO	A	B	T CHASSIS THICKNESS	PACKAGE
MB-05F	5.6	$\phi 3.3$	5.4	2000

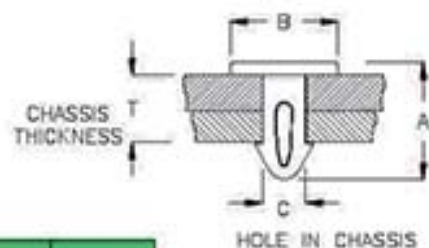


鉚釘 CANOE CLIP



MATERIAL: NYLON 66(UL)
FLAME CLASS: 94V-2
COLOR: NATURAL

PART NO	A	B	C	T CHASSIS THICKNESS	PACKAGE
MBL-4HW	5.05	5.2	$\phi 2.1$	2.5	2000
MBL-5FD	5.65	5.2	$\phi 2.1$	3.1	

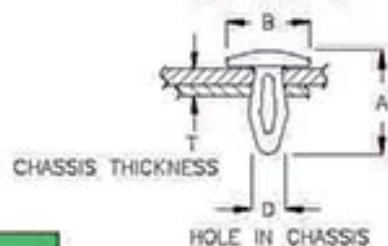


5-40-1



鉚釘 CANOE CLIP

MATERIAL: NYLON 66(UL)
FLAME CLASS: 94V-2
COLOR: NATURAL



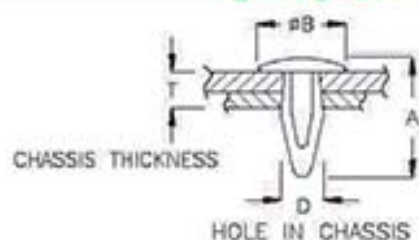
PART NO	A	B	T CHASSIS THICKNESS	D HOLE IN CHASSIS	PACKAGE
MB-01F	7.4	ø4.8	2.4~2.7	ø2.37	2000
MB-04C	15.4	ø9.0	4.3~4.8	ø4.5	1000
MB-05A	14.7	ø12.0	0.7~1.2	ø5.0	
MB-05D	15.3	ø12.0	0.7~1.0	ø5.0	

5-40-2



鉚釘 CANOE CLIP

MATERIAL: NYLON 66(UL)
FLAME CLASS: 94V-2
COLOR: NATURAL



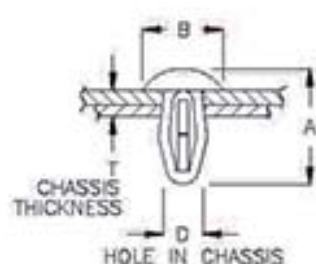
PART NO	A	B	T CHASSIS THICKNESS	D HOLE IN CHASSIS	PACKAGE
MB-1	9.7	ø7.4	2.0~3.5	ø3.0~ø3.2	2000
MB-1A	9.7	ø6.8	1.1~1.7	ø3.1~ø3.2	
MB-1C	6.2	ø6.9	1.6~2.0	ø2.95~ø3.0	
MB-1D	6.8	ø7.0	1.6~1.9	ø3.15~ø3.2	
MB-1S	7.2	ø7.0	1.5~2.1	ø3.1~ø3.2	
MB-01H	10.3	ø7.7	3.0~3.2	ø3.3~ø3.4	
MB-2	10.3	ø7.9	3.5~4.0	ø3.5~ø3.7	
MB-2S	10.3	ø7.8	2.8~3.8	ø3.2~ø3.4	
MB-3	12.4	ø7.7	3.2~5.0	ø3.7~ø3.8	
MB-3FC	7.5	ø5.6	2.4~2.7	ø2.95~3.05	
MB-3KA	7.5	ø6.0	2.4~2.7	ø3.45~3.55	
MB-4	12.9	ø10.0	2.1~3.7	ø3.9~ø4.05	
MB-04Q	9.0	ø6.0	2.5~3.5	ø3.8~ø4.0	
MB-5S	10.9	ø10.0	1.6~2.1	ø3.2~ø3.25	
MB-05C	13.2	ø12.7	2.5~3.5	ø4.0~ø4.05	
MB-11A	12.6	ø9.5	2.5~4.0	ø4.65~ø4.8	
MB-12	12.0	ø7.4	1.6~2.1	ø3.3~ø3.4	2000

5-40-3



鉚釘 CANOE CLIP

MATERIAL: NYLON 66(UL)
FLAME CLASS: 94V-2
COLOR: NATURAL



PART NO	A	B	T CHASSIS THICKNESS	D HOLE IN CHASSIS	PACKAGE
MB-2K	8.6	ø5.8	2.8~3.0	ø3.2~ø3.3	2000

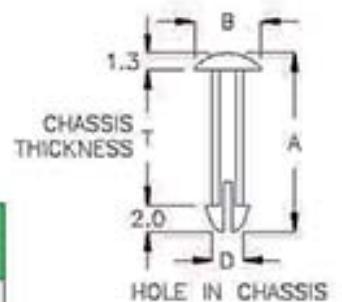
5-41-1



鉚釘 MOUNTING BUTTON

MATERIAL: NYLON 66(UL)
FLAME CLASS: 94V-2
COLOR: NATURAL

PART NO	A	B	T CHASSIS THICKNESS	D HOLE IN CHASSIS	PACKAGE
MB-08K	13.8	ø5.1	10.1	ø2.54	2000
★ MB-15GH	15.3	ø5.1	11.8	ø2.5	



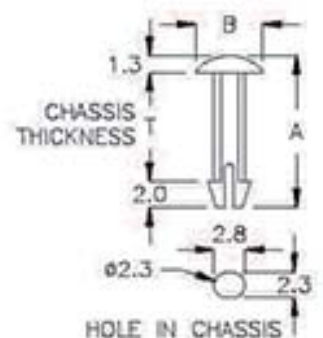
5-41-2



鉚釘 MOUNTING BUTTON

MATERIAL: NYLON 66(UL)
FLAME CLASS: 94V-2
COLOR: NATURAL

PART NO	A	B	T CHASSIS THICKNESS	PACKAGE
★ MB-20C	6.2	ø4.0	2.7	2000
MB-08R	11.7	ø5.1	8.2	



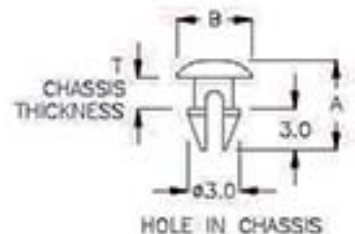
5-41-3



鉚釘 CANOE CLIP

MATERIAL: NYLON 66(UL)
FLAME CLASS: 94V-2
COLOR: NATURAL

PART NO	A	B	T CHASSIS THICKNESS	PACKAGE
MB-08M	6.6	ø5.5	2.2	2000
MB-8AC	7.9	ø5.5	3.5	
MB-80K	8.5	ø5.5	4.1	



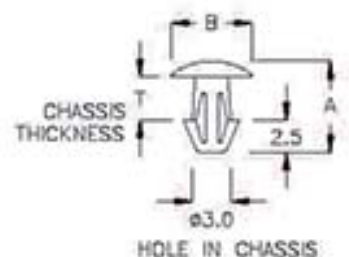
5-41-4



鉚釘 CANOE CLIP

MATERIAL: NYLON 66(UL)
FLAME CLASS: 94V-2
COLOR: NATURAL

PART NO	A	B	T CHASSIS THICKNESS	PACKAGE
MB-08P	7.2	ø6.4	3.2	2000

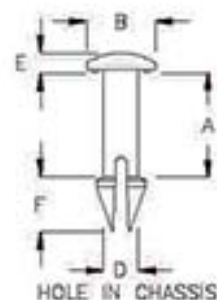


5-42-1



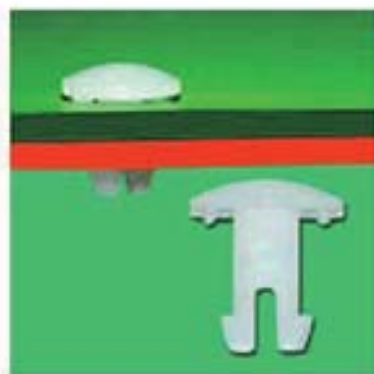
鉚釘 MOUNTING BUTTON

MATERIAL: NYLON 66(UL)
FLAME CLASS: 94V-2
COLOR: NATURAL



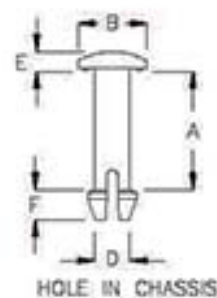
PART NO	A	B	C	D	E	F	CHASSIS THICKNESS	PACKAGE
MB-8A	7.5	φ5.1	φ3.0	1.8	3.4	7.3		2000
MB-08C	3.5	φ6.2	φ3.0	1.9	3.8	3.4		
MB-08D	4.7	φ6.0	φ3.5	1.5	4.1	4.5		

5-42-2



鉚釘 MOUNTING BUTTON

MATERIAL: NYLON 66(UL)
FLAME CLASS: 94V-2
COLOR: NATURAL



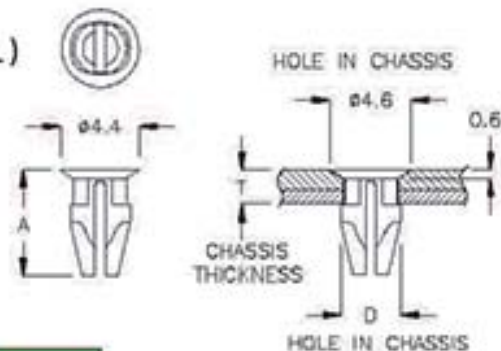
PART NO	A	B	C	D	E	F	CHASSIS THICKNESS	PACKAGE
MB-08G	3.55	φ6.2	φ3.0	1.9	1.4	3.4		2000
MB-08H	8.25	φ5.1	φ3.3	1.4	2.2	8.1		
MB-015	8.8	φ5.1	φ3.0	1.7	2.2	8.6		

5-42-3



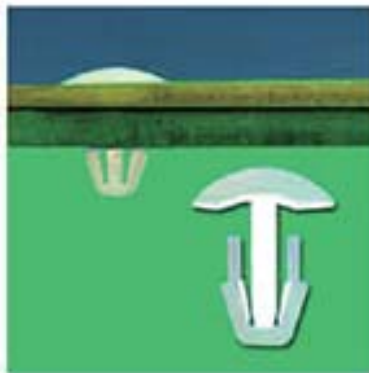
鉚釘 CANOE CLIP

MATERIAL: NYLON 66(UL)
FLAME CLASS: 94V-2
COLOR: BLACK



PART NO	A	D, HOLE IN CHASSIS	T, CHASSIS THICKNESS	PACKAGE
MB-06	6.0	φ3.0	1.9	2000

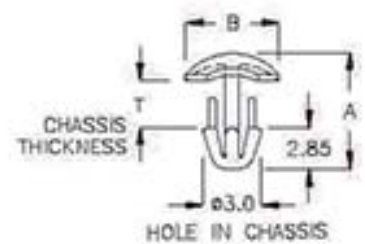
5-43-1



鉚釘 CANOE CLIP

MATERIAL: NYLON 66(UL)
FLAME CLASS: 94V-2
COLOR: NATURAL

PART NO	A	B	T CHASSIS THICKNESS	PACKAGE
MBS-3A	7.95	ø6.4	3.2~3.6	1000



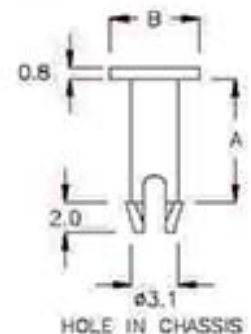
5-43-2



鉚釘 MOUNTING BUTTON

MATERIAL: NYLON 66(UL)
FLAME CLASS: 94V-2
COLOR: NATURAL

PART NO	A	B	CHASSIS THICKNESS	PACKAGE
MBB-01	8.1	5.85	7.9	1000



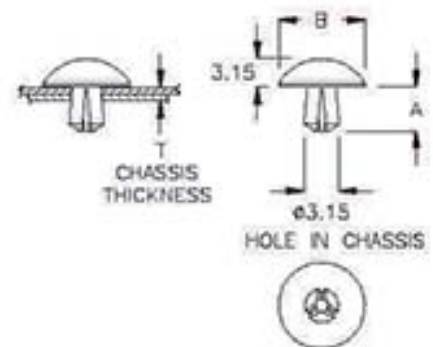
5-43-3



鉚釘 MOUNTING BUTTON

MATERIAL: NYLON 66(UL)
FLAME CLASS: 94V-2
COLOR: NATURAL

PART NO	A	B	T CHASSIS THICKNESS	PACKAGE
MHG-3A	4.9	ø9.5	2.0	2000



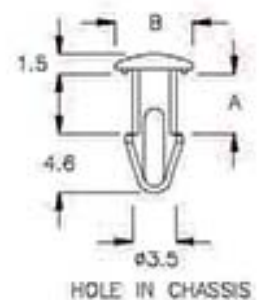
5-43-4



鉚釘 MOUNTING BUTTON

MATERIAL: NYLON 66(UL)
FLAME CLASS: 94V-2
COLOR: NATURAL

PART NO	A	B	T CHASSIS THICKNESS	PACKAGE
MB-08F	4.65	ø6.0	4.5	2000



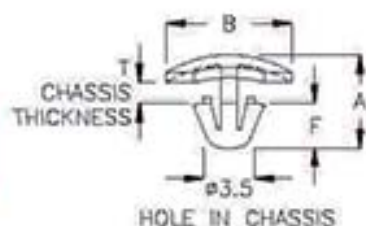
5-44-1



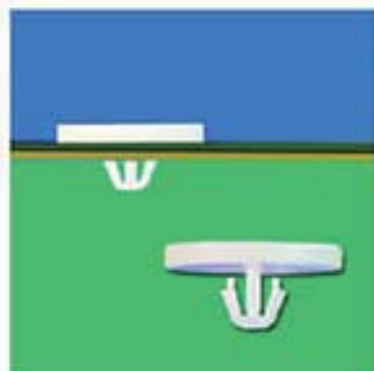
鉚釘 CANOE CLIP

MATERIAL: NYLON 66(UL)
FLAME CLASS: 94V-2
COLOR: NATURAL

PART NO	A	B	F	T CHASSIS THICKNESS	PACKAGE
★ MBM-1MY	5.8	8.0	2.85	0.6~0.8	2000
MBM-1A	5.95	8.0	2.85	1.4~1.7	
MBM-2D	6.15	8.0	2.85	1.2~1.4	
★ MBM-2SA	6.65	8.0	2.85	1.7~1.9	
MBM-3PY	5.7	8.0	2.5	0.9~1.1	



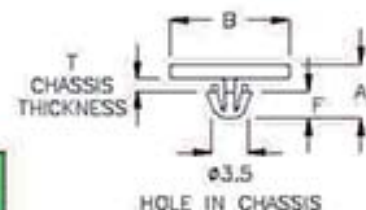
5-44-2



鉚釘 CANOE CLIP

MATERIAL: PC(UL)
FLAME CLASS: 94V-2
COLOR: NATURAL

PART NO	A	B	F	T CHASSIS THICKNESS	PACKAGE
MBR-3SQ	5.45	12.0	2.65	1.1	1000
MBR-3AC	6.05	15.0	3.4	1.0	



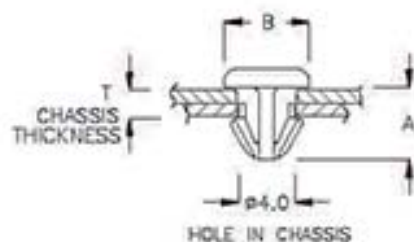
5-44-3



鉚釘 CANOE CLIP

MATERIAL: NYLON 66(UL)
FLAME CLASS: 94V-2
COLOR: BLACK

PART NO	A	B	T CHASSIS THICKNESS	PACKAGE
MB-07A	6.0	7.0	2.2	2000
MB-7AK	7.3	7.0	3.5	
MB-7DF	8.0	7.0	4.2	



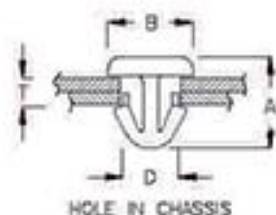
5-44-4



鉚釘 CANOE CLIP

MATERIAL: NYLON 66(UL)
FLAME CLASS: 94V-2
COLOR: NATURAL

PART NO	A	B	T CHASSIS THICKNESS	D HOLE IN THICKNESS	PACKAGE
MBQ-1A	6.7	8.0	1.8	4.1	2000
MBQ-1DC	6.85	7.0	2.1	4.0	
MBQ-1PM	6.5	7.0	1.8	4.0	
MBQ-1FH	5.8	7.0	1.0	4.0	



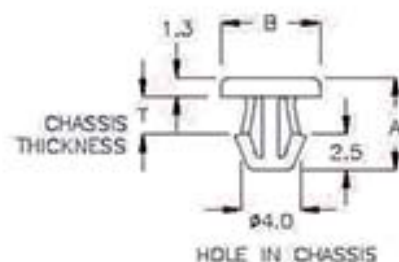
5-45-1



鉚釘 CANOE CLIP

MATERIAL: NYLON 66(UL)
FLAME CLASS: 94V-2
COLOR: BLACK

PART NO	A	B	T CHASSIS THICKNESS	PACKAGE
MBK-4A	6.5	ø7.0	2.4~2.6	2000



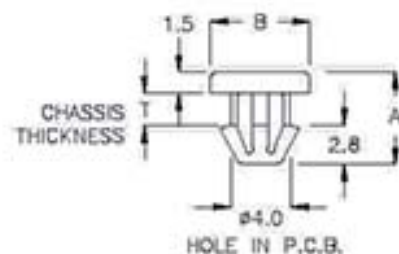
5-45-2



鉚釘 CANOE CLIP

MATERIAL: PC(UL)
FLAME CLASS: 94V-0
COLOR: NATURAL

PART NO	A	B	T CHASSIS THICKNESS	PACKAGE
MBQ-1RF	6.5	ø7.0	1.6~1.9	2000



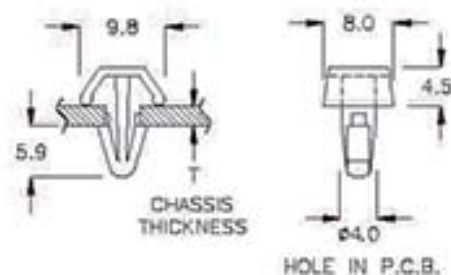
5-45-3



鉚釘 MOUNTING BUTTON

MATERIAL: NYLON 66(UL)
FLAME CLASS: 94V-2
COLOR: NATURAL

PART NO	T CHASSIS THICKNESS	PACKAGE
MB-10	2.5~3.2	1000



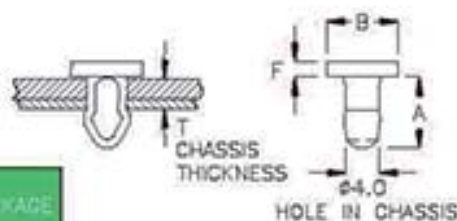
5-45-4



鉚釘 MOUNTING BUTTON

MATERIAL: NYLON 66(UL)
FLAME CLASS: 94V-2
COLOR: BLACK

PART NO	A	B	T	T CHASSIS THICKNESS	PACKAGE
MBC-04	6.9	ø7.0	1.5	3.3	2000
MBC-4AK	5.8	ø7.0	1.5	2.2	
MBC-40F	7.1	ø7.0	1.5	3.5	
MBC-4KM	8.1	ø7.0	2.0	4.5	



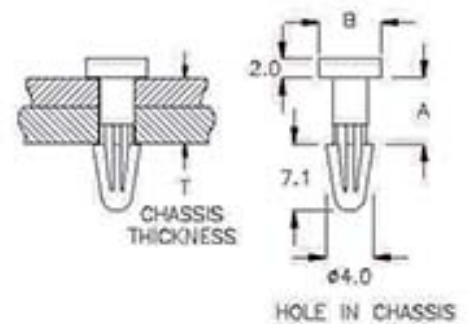
5-46-1



鉚釘 RIVET

MATERIAL: NYLON 66(UL)
FLAME CLASS: 94V-2
COLOR: NATURAL

PART NO	A	B	T CHASSIS THICKNESS	PACKAGE
ACK-1A	7.0	φ6.5	6.8	2000



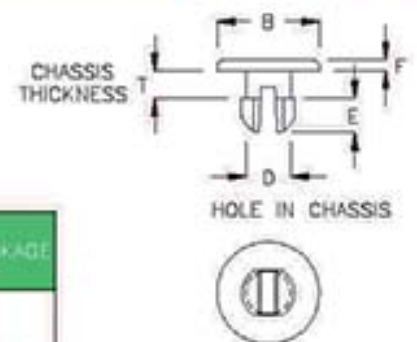
5-46-2



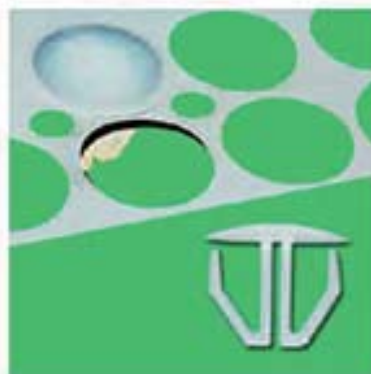
鉚釘 MOUNTING BUTTON

MATERIAL: PC(UL)
FLAME CLASS: 94V-2
COLOR: NATURAL

PART NO	B	T CHASSIS THICKNESS	D HOLE IN CHASSIS	E	F	PACKAGE
MB-9S	φ11.7	2.0	φ5.54	4.0	1.3	1000
MB-9	φ11.7	3.0	φ5.54	4.1	1.3	
MB-9K	φ15.1	4.3	φ7.4	4.7	1.3	
MB-09A	φ11.7	5.7	φ5.3	3.9	1.3	
MB-09M	φ8.0	2.6	φ5.0	3.3	0.5	



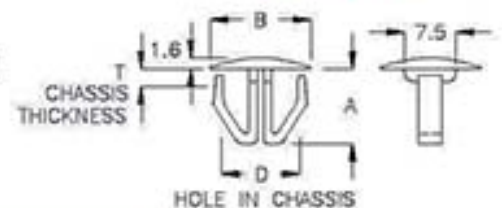
5-46-3



鉚釘 CANOE CLIP

MATERIAL: NYLON 66(UL)
FLAME CLASS: 94V-2
COLOR: NATURAL

PART NO	A	B	T CHASSIS THICKNESS	D HOLE IN CHASSIS	PACKAGE
MBSK-10A	11.0	φ15.0	0.8~3.2	φ8.5~φ10.0	1000



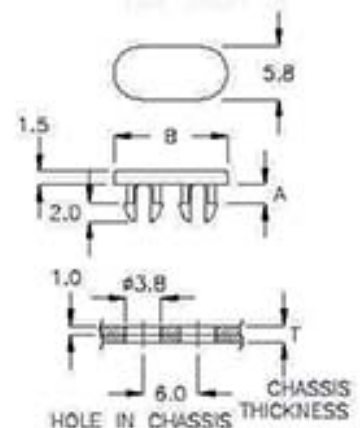
5-46-4



鉚釘 MOUNTING BUTTON

MATERIAL: NYLON 66(UL)
FLAME CLASS: 94V-2
COLOR: NATURAL

PART NO	A	B	T CHASSIS THICKNESS	PACKAGE
MBP-3JQ	2.0	12.5	1.8	2000

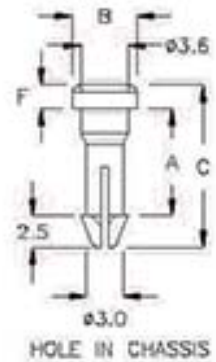


5-47-1



鉚釘 MOUNTING BUTTON

MATERIAL: NYLON 66(UL)
 FLAME CLASS: 94V-2
 COLOR: BLACK
 HOLE IN HEAT SINK: $\Phi 3.2$
 SPECIFIC SPRING SPEC FOR APPLICATIVE THICKNESS OF CHASSIS



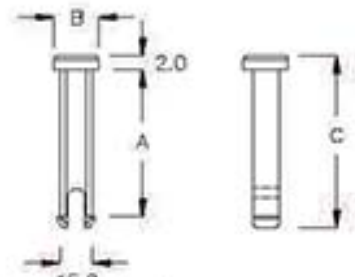
PART NO.	A	B	C	F	PACKAGE
MB-08Y	8.3	$\phi 5.0$	12.55	1.75	2000
MB-15Y	14.6	$\phi 6.4$	19.85	2.75	

5-47-2



鉚釘 MOUNTING BUTTON

MATERIAL: NYLON 66(UL)
 FLAME CLASS: 94V-2
 COLOR: BLACK



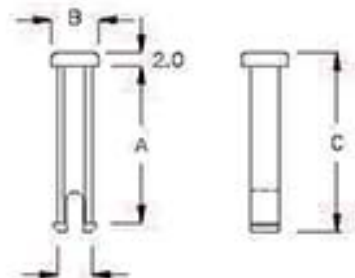
PART NO.	A	B	C	PACKAGE
MB-21A	22.0	$\phi 6.6$	25.6	1000

5-47-3



鉚釘 MOUNTING BUTTON

MATERIAL: NYLON 66(UL)
 FLAME CLASS: 94V-2
 COLOR: BLACK



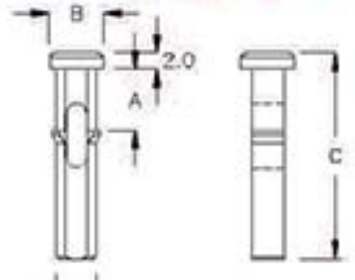
PART NO.	A	B	C	PACKAGE
MB-22	22.1	$\phi 6.6$	25.4	1000

5-47-4



鉚釘 MOUNTING BUTTON

MATERIAL: NYLON 66(UL)
 FLAME CLASS: 94V-2
 COLOR: BLACK

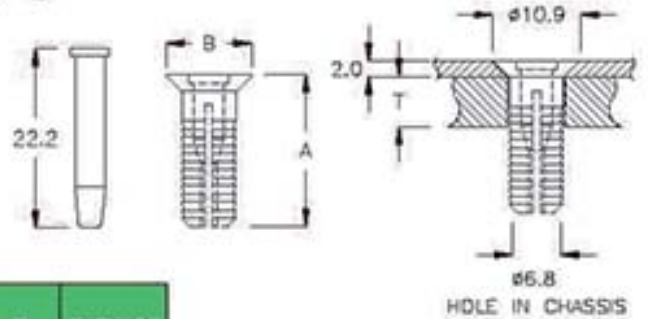


PART NO.	A	B	C	PACKAGE
MB-25A	7.6	$\phi 6.6$	25.4	1000



鉚釘 MOUNTING BUTTON

MATERIAL: NYLON 66(UL)
FLAME CLASS: 94V-2
COLOR: NATURAL



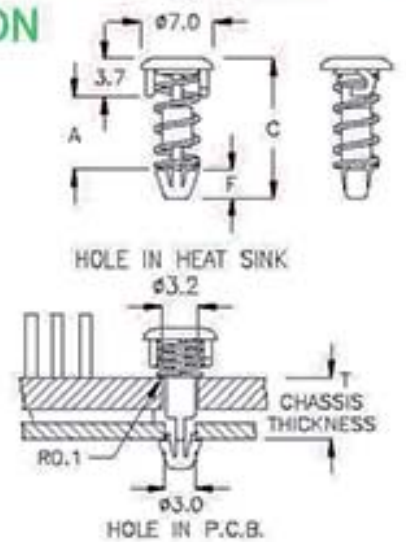
PART NO	A	T CHASSIS THICKNESS	B	PACKAGE
MEX-01	16.7	6.5~7.5	10.6	2000



散熱片鉚釘 MOUNTING BUTTON

MATERIAL: NYLON 66(UL)
FLAME CLASS: 94V-2
COLOR: NATURAL

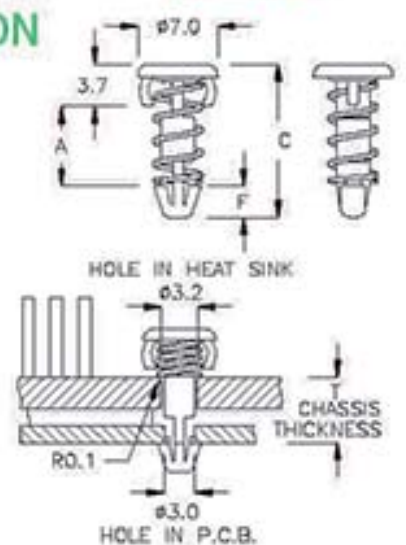
PART NO	A	C	F	T CHASSIS THICKNESS	PACKAGE
MB-05Y	4.2	10.7	2.8	3.0~4.2	2000
MB-07Y	7.0	13.5	2.8	4.5~6.0	
MB-07YA	9.0	15.2	2.5	4.5~7.0	



散熱片鉚釘 MOUNTING BUTTON

MATERIAL: NYLON 66(UL)
FLAME CLASS: 94V-2
COLOR: NATURAL

PART NO	A	C	F	T CHASSIS THICKNESS	PACKAGE
MB-07U	7.0	13.5	2.8	4.5~5.5	2000
MB-07UA	9.0	15.2	2.5	4.5~7.0	



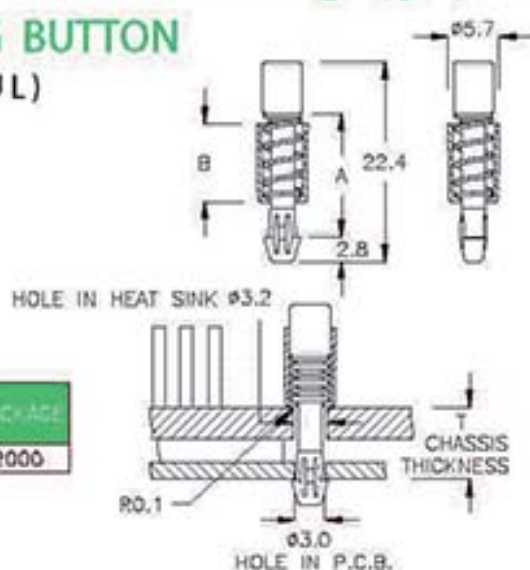
5-49-1



散熱片鉚釘 MOUNTING BUTTON

MATERIAL: NYLON 66(UL)
FLAME CLASS: 94V-2
COLOR: BLACK

PART NO	A	B	CHASSIS THICKNESS	PACKAGE
MB-08J	13.8	6.8	5.0~8.5	2000



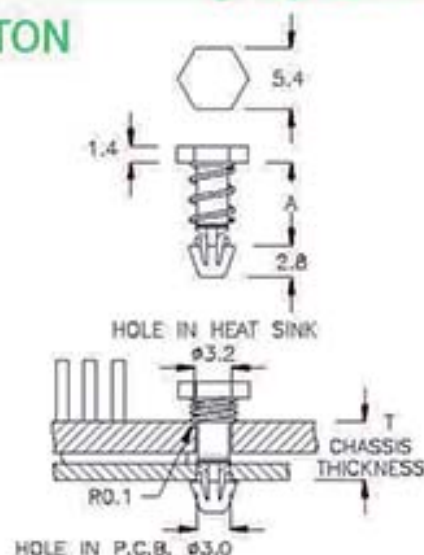
5-49-2



散熱片鉚釘 MOUNTING BUTTON

MATERIAL: NYLON 66(UL)
FLAME CLASS: 94V-2
COLOR: NATURAL, BLACK

PART NO	A	CHASSIS THICKNESS	PACKAGE
MB-08N	7.4	3.0~4.0	2000



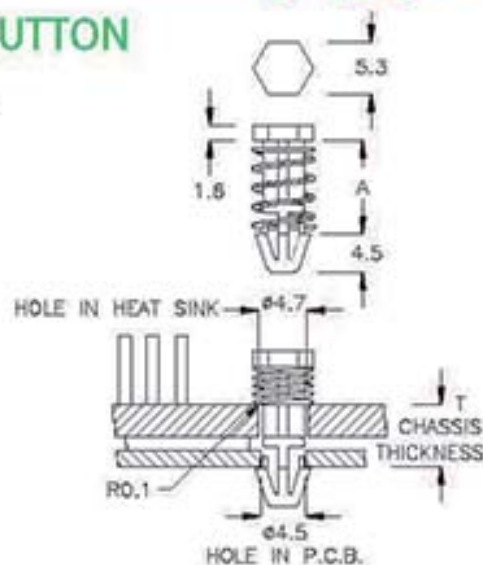
5-49-3



散熱片鉚釘 MOUNTING BUTTON

MATERIAL: NYLON 66(UL)
FLAME CLASS: 94V-2
COLOR: NATURAL

PART NO	A	CHASSIS THICKNESS	PACKAGE
MB-8KP	8.8	3.0~5.3	1000



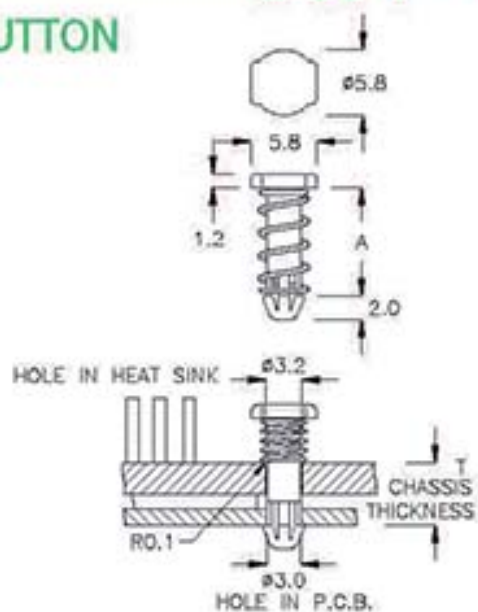
5-50-1



散熱片鉚釘 MOUNTING BUTTON

MATERIAL: NYLON 66(UL)
FLAME CLASS: 94V-2
COLOR: NATURAL

PART NO	A	CHASSIS THICKNESS	PACKAGE
MB-13	9.6	4.5~5.5	1000



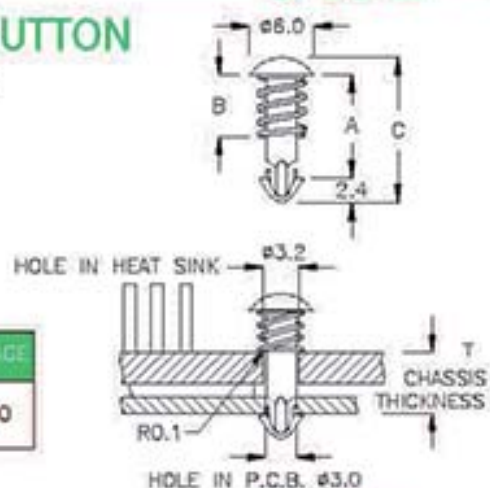
5-50-2



散熱片鉚釘 MOUNTING BUTTON

MATERIAL: NYLON 66(UL)
FLAME CLASS: 94V-2
COLOR: NATURAL, BLACK

PART NO	A	B	C	CHASSIS THICKNESS	PACKAGE
MB-13A	9.6	7.8	13.5	3.6~5.0	2000
MB-21	17.6	14.7	21.6	7.5~9.0	



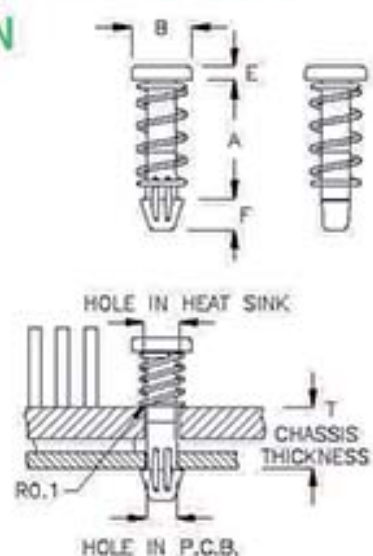
5-50-3



散熱片鉚釘 MOUNTING BUTTON

MATERIAL: NYLON 66(UL)
FLAME CLASS: 94V-2
COLOR: NATURAL

PART NO	A	B	HOLE IN P.C.B.	HOLE IN HEAT SPK	T CHASSIS THICKNESS	E	F	PACKAGE
MB-15C	12.5	$\phi 6.4$	$\phi 3.0$	$\phi 3.2$	5.5~6.5	1.5	3.3	1000
MB-15K	12.5	$\phi 6.4$	$\phi 3.2$	$\phi 3.4$	4.5~6.5	1.5	3.3	
MB-15F	14.0	$\phi 5.5$	$\phi 3.0$	$\phi 3.2$	7.0~8.0	1.5	2.8	2000

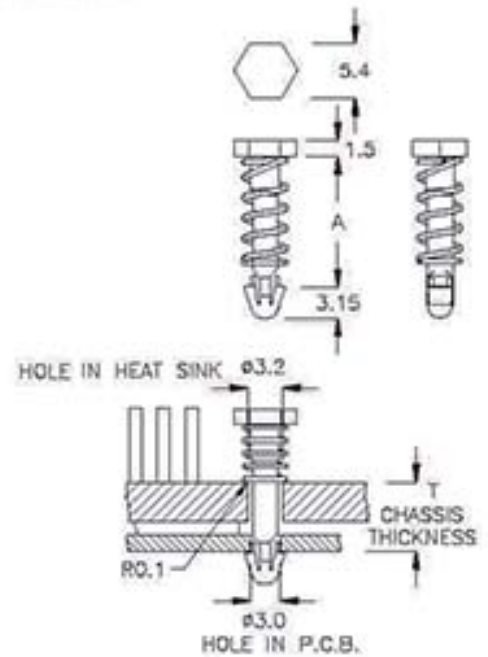




散熱片鉚釘 MOUNTING BUTTON

MATERIAL: NYLON 66(UL)
 FLAME CLASS: 94V-2
 COLOR: NATURAL

PART NO	A	CHASSIS THICKNESS	PACKAGE
MB-17C	12.9	3.0~5.0	2000

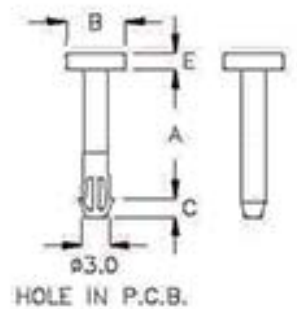


散熱片鉚釘 MOUNTING BUTTON

MATERIAL: NYLON 66(UL)
 FLAME CLASS: 94V-2
 COLOR: NATURAL
 HOLE IN HEAT SINK: $\Phi 3.2$

SPECIFIC SPRING SPEC FOR
 APPLICATIVE THICKNESS OF CHASSIS

PART NO	A	B	C	E	PACKAGE
MB-14K	9.5	$\phi 6.4$	3.3	0.9	2000
MB-14A	9.5	$\phi 6.4$	3.3	1.5	
MB-07W	14.0	$\phi 6.4$	2.0	1.8	
MB-07C	14.0	$\phi 6.4$	3.3	1.8	
★ MB-15JQ	14.0	$\phi 5.5$	1.5	1.5	
MB-15D	15.0	$\phi 5.0$	2.0	1.8	



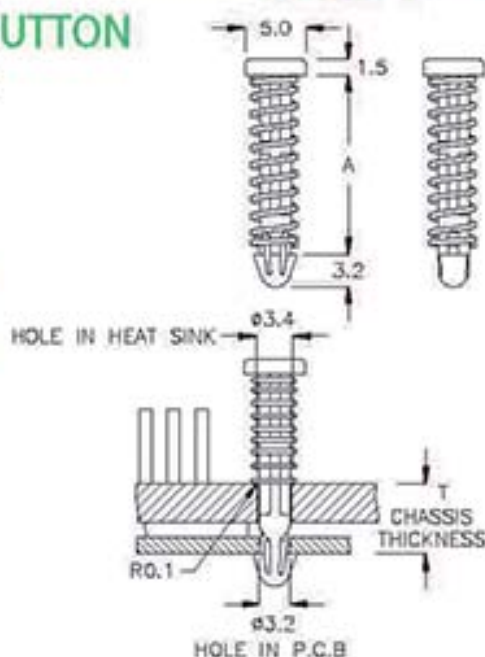
5-52-1



散熱片鉚釘 MOUNTING BUTTON

MATERIAL: NYLON 66(UL)
FLAME CLASS: 94V-2
COLOR: NATURAL

PART NO	A	T CHASSIS THICKNESS	PACKAGE
MB-17KM	17.7	7.5~9.5	1000



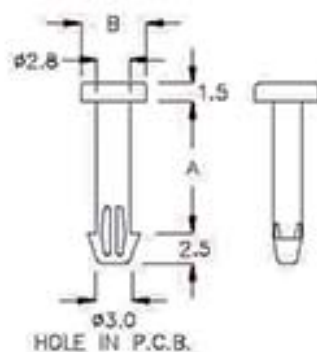
5-52-2



散熱片鉚釘 MOUNTING BUTTON

MATERIAL: NYLON 66(UL)
FLAME CLASS: 94V-2
COLOR: NATURAL, BLACK
HOLE IN HEAT SINK: $\Phi 3.2$
SPECIFIC SPRING SPEC FOR
APPLICATIVE THICKNESS OF CHASSIS

PART NO	A	B	PACKAGE
MB-15A	11.5	$\Phi 6.4$	2000
MB-12XQ	8.7	$\Phi 6.4$	



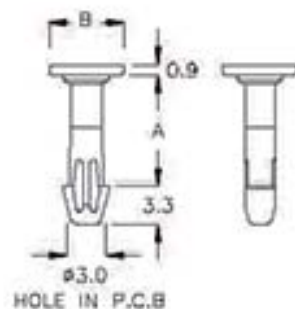
5-52-3



散熱片鉚釘 MOUNTING BUTTON

MATERIAL: NYLON 66(UL)
FLAME CLASS: 94V-2
COLOR: NATURAL
HOLE IN HEAT SINK: $\Phi 3.2$
SPECIFIC SPRING SPEC FOR
APPLICATIVE THICKNESS OF CHASSIS

PART NO	A	B	PACKAGE
MB-14M	9.5	$\Phi 6.4$	2000



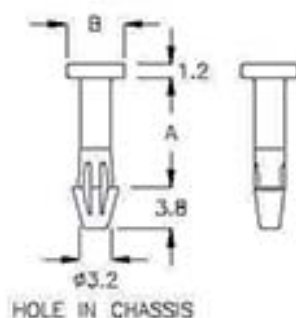
5-53-1



散熱片鉚釘 MOUNTING BUTTON

MATERIAL: NYLON 66(UL)
 FLAME CLASS: 94V-2
 COLOR: BLACK
 HOLE IN HEAT SINK: $\Phi 3.4$
 SPECIFIC SPRING SPEC FOR
 APPLICATIVE THICKNESS OF CHASSIS

PART NO	A	B	PACKAGE
MB-1SNK	10.0	$\phi 5.3$	2000



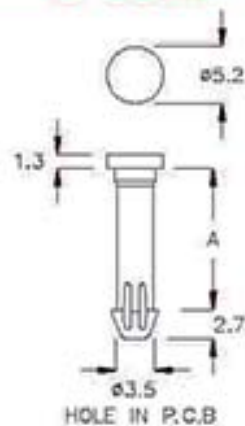
5-53-2



散熱片鉚釘 MOUNTING BUTTON

MATERIAL: NYLON 66(UL)
 FLAME CLASS: 94V-2
 COLOR: BLACK
 HOLE IN HEAT SINK: $\Phi 3.7$
 SPECIFIC SPRING SPEC FOR
 APPLICATIVE THICKNESS OF CHASSIS

PART NO	A	PACKAGE
MB-17F	13.1	1000



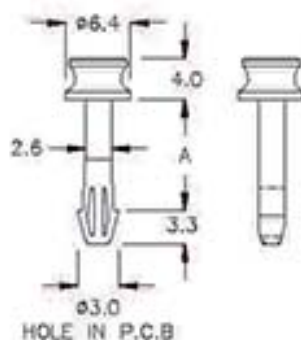
5-53-3



散熱片鉚釘 MOUNTING BUTTON

MATERIAL: NYLON 66(UL)
 FLAME CLASS: 94V-2
 COLOR: NATURAL
 HOLE IN HEAT SINK: $\Phi 3.2$
 SPECIFIC SPRING SPEC FOR
 APPLICATIVE THICKNESS OF CHASSIS

PART NO	A	PACKAGE
MB-99	11.0	2000
MB-99A	14.0	



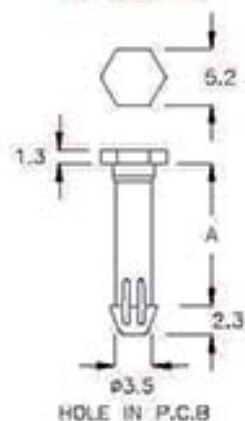
5-53-4



散熱片鉚釘 MOUNTING BUTTON

MATERIAL: NYLON 66(UL)
 FLAME CLASS: 94V-2
 COLOR: BLACK
 HOLE IN HEAT SINK: $\Phi 3.7$
 SPECIFIC SPRING SPEC FOR
 APPLICATIVE THICKNESS OF CHASSIS

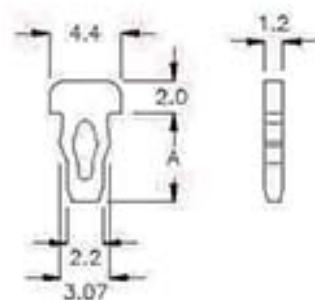
PART NO	A	PACKAGE
MBH-16K	13.1	1000





定位銷 PIN PLANAR LOCATOR

MATERIAL: NYLON 66(UL)
FLAME CLASS: 94V-2
COLOR: NATURAL

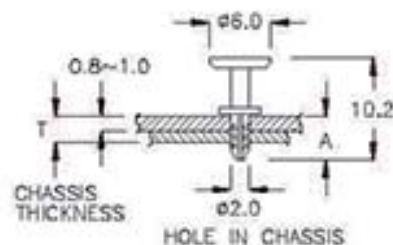


PART NO	A	PACKAGE
MBZ-06	5.5	2000



鉚釘 CANOE CLIP

MATERIAL: NYLON 66(UL)
FLAME CLASS: 94V-2
COLOR: NATURAL

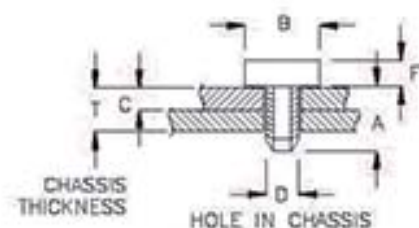


PART NO	A	T CHASSIS THICKNESS	PACKAGE
MB-014	4.6	>2.4	2000



鉚釘 CANOE CLIP

MATERIAL: NYLON 66(UL)
FLAME CLASS: 94V-2
COLOR: NATURAL



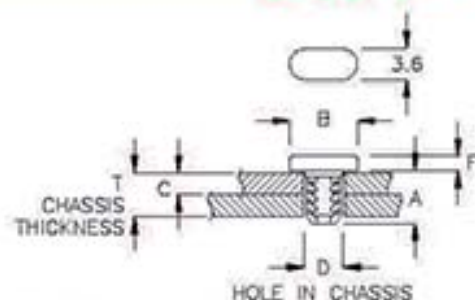
PART NO	A	B	C CHASSIS THICKNESS	D HOLE IN CHASSIS	F	T CHASSIS THICKNESS	PACKAGE
MB-140	3.1	φ3.5	0.8~1.0	φ1.8	1.2	>3.0	2000
MB-14R	3.8	φ5.0	0.8~1.0	φ3.0	0.7	>3.5	
MB-14S	3.8	φ5.0	0.8~1.0	φ3.0	0.5	>3.5	
MB-14H	5.5	φ5.0	0.8~1.0	φ3.0	0.5	>5.0	

5-55-1



鉚釘 CANOE CLIP

MATERIAL: NYLON 66(UL)
FLAME CLASS: 94V-2
COLOR: BLACK



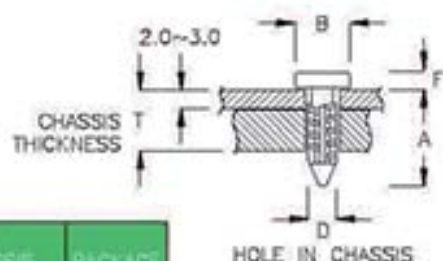
PART NO	A	B	C	D	F	T	PACKAGE
MBT-06	4.7	6.0	0.8~1.0	ø3.5	1.3	>5.0	2000

5-55-2



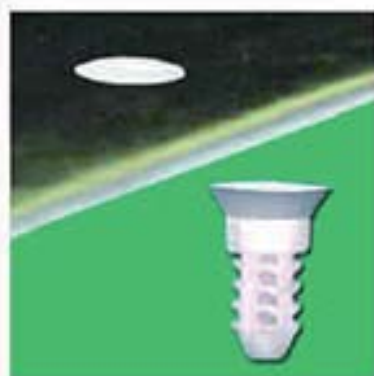
鉚釘 CANOE CLIP

MATERIAL: NYLON 66(UL)
FLAME CLASS: 94V-2
COLOR: NATURAL



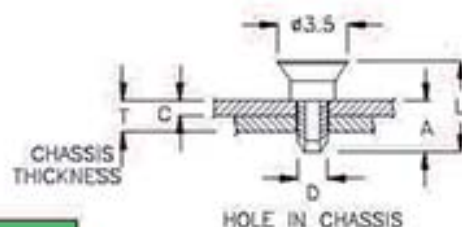
PART NO	A	B	D	F	T	PACKAGE
MB-011	9.7	ø5.5	ø2.9	1.5	>5.0	2000
MB-19A	17.6	ø10.9	ø5.0	1.0	>5.0	

5-55-3



鉚釘 CANOE CLIP

MATERIAL: NYLON 66(UL)
FLAME CLASS: 94V-2
COLOR: NATURAL



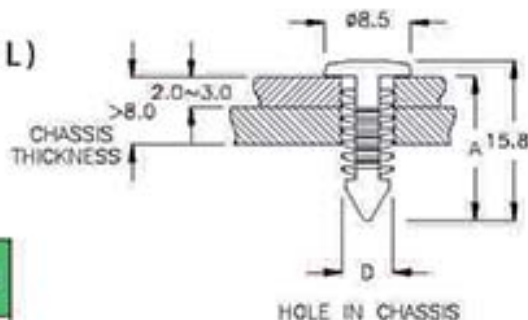
PART NO	A	C	D	T	L	PACKAGE
MB-14C	2.6	1.0	ø1.8	>2.6	4.6	2000
MB-14F	3.8	1.6	ø1.8	>3.8	7.3	

5-55-4



鉚釘 CANOE CLIP

MATERIAL: NYLON 66(UL)
FLAME CLASS: 94V-2
COLOR: NATURAL



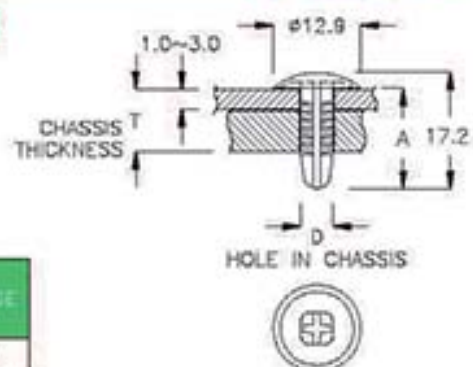
PART NO	A	D	PACKAGE
MB-17A	14.3	ø4.9~ø4.95	1000

5-56-1



鉚釘 MOUNTING BUTTON

MATERIAL: NYLON 66(UL)
FLAME CLASS: 94V-2
COLOR: NATURAL



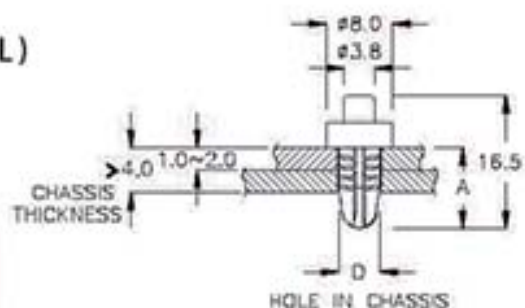
PART NO	A	D HOLE IN CHASSIS	T CHASSIS THICKNESS	PACKAGE
MB-17	14.9	φ5.0~φ5.1	>6.0	1000

5-56-2



鉚釘 CANOE CLIP

MATERIAL: NYLON 66(UL)
FLAME CLASS: 94V-2
COLOR: BLACK



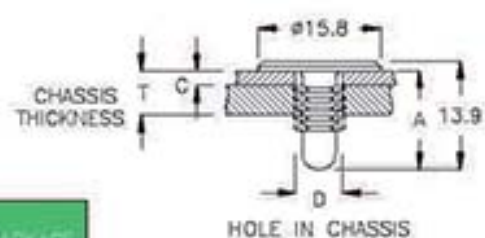
PART NO	A	D HOLE IN CHASSIS	PACKAGE
WCD-6A	10.0	φ5.6~φ5.7	2000

5-56-3



鉚釘 CANOE CLIP

MATERIAL: NYLON 66(UL)
FLAME CLASS: 94V-2
COLOR: NATURAL



PART NO	A	C	D	T CHASSIS THICKNESS	PACKAGE
MBY-12JW	12.7	1.6	φ6.1	>6.0	1000

5-56-4



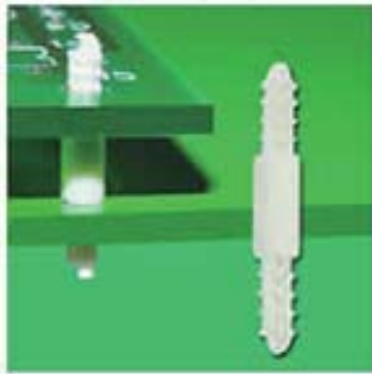
鉚釘 CANOE CLIP

MATERIAL: NYLON 66(UL)
FLAME CLASS: 94V-2
COLOR: NATURAL



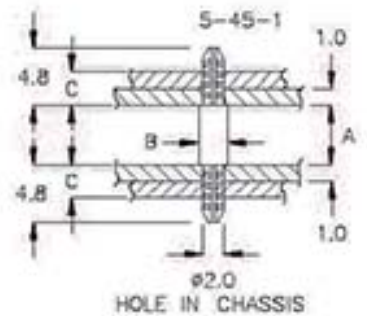
PART NO	A	B HOLE IN CHASSIS	PACKAGE
MB-35	35.0	φ4.7~φ4.9	1000

間隔柱用鉚釘 SUPPORTING RIVET



MATERIAL: NYLON 66(UL)
 FLAME CLASS: 94V-2
 COLOR: NATURAL
 C: CHASSIS THICKNESS

PART NO	A	B	C MAXIMUM THICKNESS	PACKAGE
MB-140	5.0	φ2.5	3.0	2000

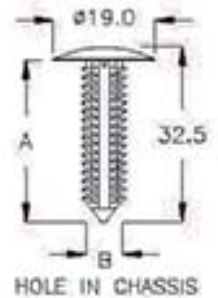


鉚釘 CANOE CLIP

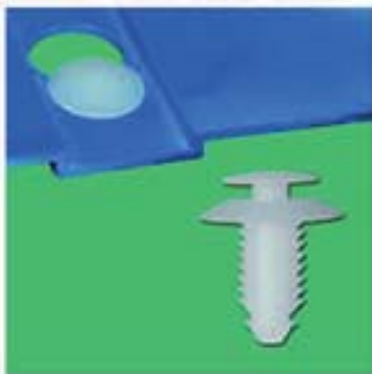


MATERIAL: NYLON 66(UL)
 FLAME CLASS: 94V-2
 COLOR: NATURAL

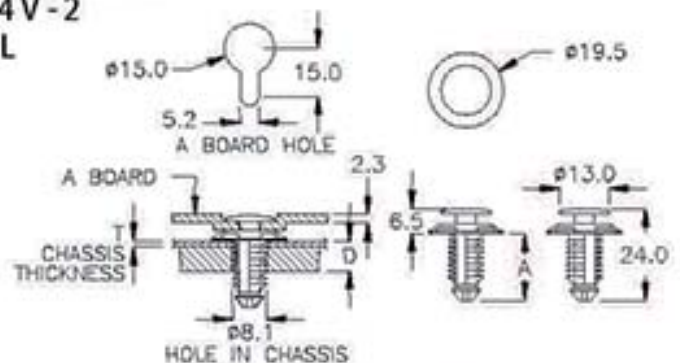
PART NO	A	B HOLE IN CHASSIS	CHASSIS THICKNESS	PACKAGE
MBTR-32	30.0	φ7.1	1.5~25.4	1000



鉚釘 CANOE CLIP

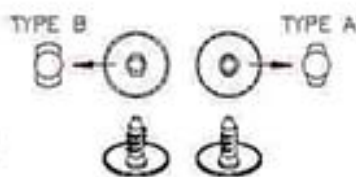
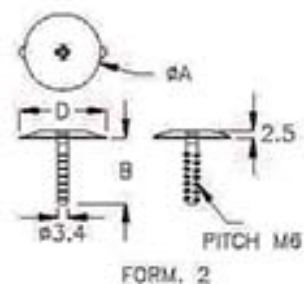
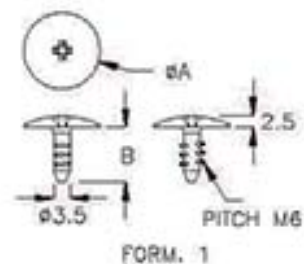
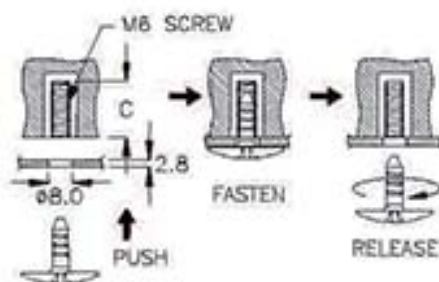
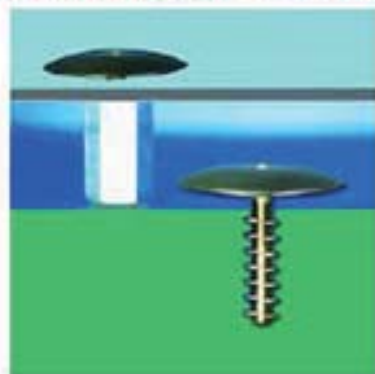


MATERIAL: NYLON 66(UL)
 FLAME CLASS: 94V-2
 COLOR: NATURAL



PART NO	A	A BOARD CHASSIS THICKNESS	T CHASSIS THICKNESS	D CHASSIS THICKNESS	PACKAGE
MBDA-24	17.5	2.3	0.8	12.0	1000

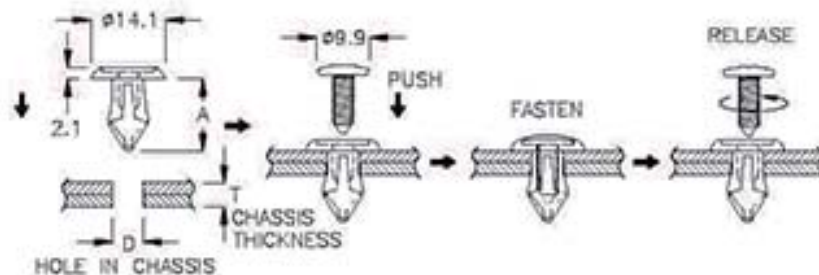
螺絲固定扣 PLASTIC SCREW



MATERIAL: NYLON 66(UL)
 FLAME CLASS: 94V-2
 COLOR: BLACK
 SZ-6M21A MATERIAL: ABS+PC
 FLAME CLASS: 94V-0
 COLOR: BLACK

PART NO	MATERIAL	A	B	C	D	HEAD STYLE	FIN STYLE	PACKAGE
SZ-6M12	N66	ø16.8	12.0	18.5		FORM.1	TYPE A	1000
SZ-6M12KD	N66	ø16.8	12.0	18.5		FORM.1	TYPE B	
SZ-6M13F	N66	ø20.0	13.5	18.5	24.0	FORM.2	TYPE B	
SZ-6M17D	N66	ø20.0	17.5	22.0	24.0	FORM.2	TYPE B	
SZ-6M21MQ	N66	ø20.0	21.5	25.0	24.0	FORM.2	TYPE B	
SZ-6M21A	ABS+PC	ø25.0	21.5	25.0	28.6	FORM.2	TYPE A	

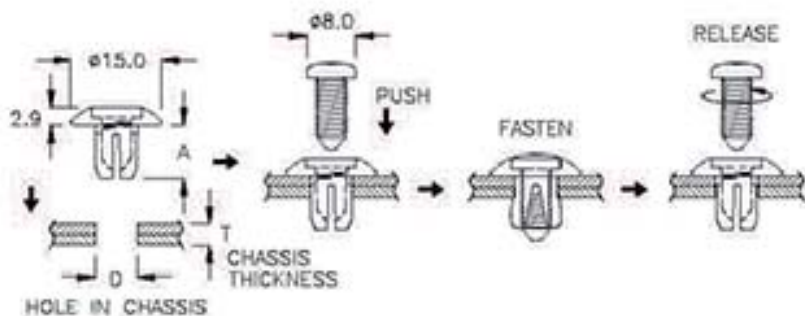
鉚釘 SNAP RIVET



MALE MATERIAL: PC(UL)
 FLAME CLASS: 94V-2
 FEMALE MATERIAL: NYLON 66(UL)
 FLAME CLASS: 94V-2
 COLOR: BLACK

PART NO	A	D HOLE IN CHASSIS	T CHASSIS THICKNESS	PACKAGE
MEL-6A	13.65	ø5.9	4.5	1000

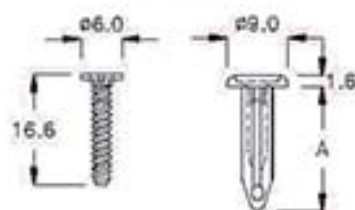
鉚釘 SNAP RIVET



MALE MATERIAL: PC(UL)
 FLAME CLASS: 94V-0
 FEMALE MATERIAL: PC(UL)
 FLAME CLASS: 94V-0
 COLOR: BLACK

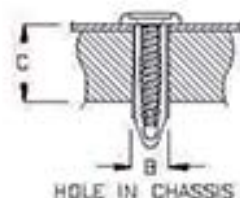
PART NO	A	HOLE IN CHASSIS	T CHASSIS THICKNESS	PACKAGE
MEP-07	8.85	$\phi 7.0$	4.0~5.5	1000

鉚釘 SNAP RIVET

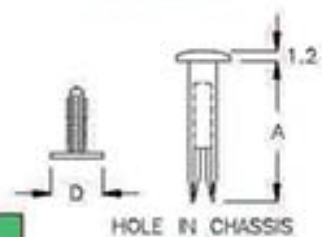


MATERIAL: NYLON 66(UL)
 FLAME CLASS: 94V-2
 COLOR: BLACK

PART NO	A	B HOLE IN CHASSIS	C CHASSIS THICKNESS	PACKAGE
MEC-18	18.45	$\phi 5.0$	9.5~11.5	1000



鉚釘 MOUNTING BUTTON



MALE MATERIAL: NYLON 66(UL)
 FLAME CLASS: 94V-2
 FEMALE MATERIAL: PU
 COLOR: BLACK

PART NO	A	B HOLE IN CHASSIS	C CHASSIS THICKNESS	D	PACKAGE
SRU-3	15.7	$\phi 3.2$	10.5~11.5	$\phi 5.8$	2000
SRU-3A	11.0	$\phi 2.7$	9.0~9.5	$\phi 5.6$	
SRU-3S	14.3	$\phi 2.7$	10.7~11.2	$\phi 5.6$	



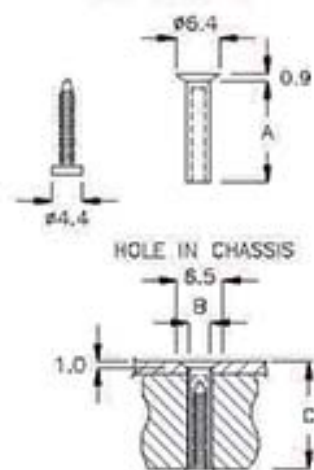
5-60-1

鉚釘 MOUNTING BUTTON



MALE MATERIAL: NYLON 66(UL)
 FLAME CLASS: 94V-2
 FEMALE MATERIAL: PU
 COLOR: BLACK

PART NO	A	B HOLE IN CHASSIS	C CHASSIS THICKNESS	PACKAGE
SRU-3F	15.1	φ3.5	16.2~16.8	2000



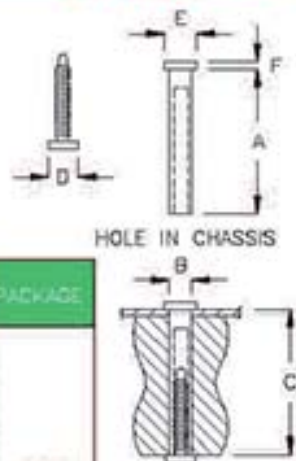
5-60-2

鉚釘 MOUNTING BUTTON



MALE MATERIAL: NYLON 66(UL)
 FLAME CLASS: 94V-2
 FEMALE MATERIAL: PU
 COLOR: BLACK

PART NO	A	B HOLE IN CHASSIS	C CHASSIS THICKNESS	D	E	F	PACKAGE
SRU-3C	18.8	φ3.4	18.8~19.5	φ4.4	φ4.7	1.1	2000
SRU-3H	26.0	φ4.5	26.2~26.8	φ5.4	φ6.0	1.1	
SRU-3J	21.0	φ4.4	21.2~21.8	φ6.0	φ6.0	1.0	
SRU-3K	17.6	φ4.2	17.8~18.4	φ7.4	φ7.4	1.2	
SRU-3M	15.3	φ4.5	15.8~16.2	φ7.4	φ7.4	1.2	
SRU-3ND	25.5	φ4.3	25.8~26.3	φ6.0	φ6.0	1.0	
SRU-3P	15.3	φ4.1	15.8~16.2	φ7.4	φ7.4	1.2	
SRU-3R	23.5	φ4.3	23.7~24.3	φ6.0	φ6.0	1.0	
SRU-3T	20.4	φ3.4	21.0~20.6	φ4.4	φ4.7	1.1	



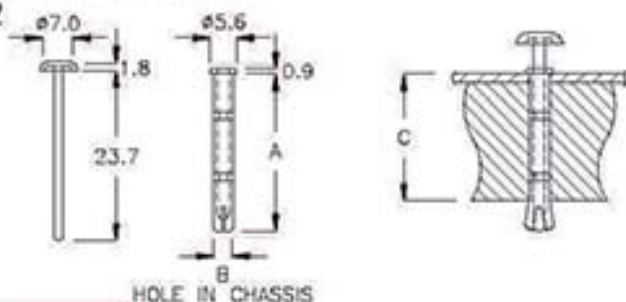
5-60-3

鉚釘 MOUNTING BUTTON

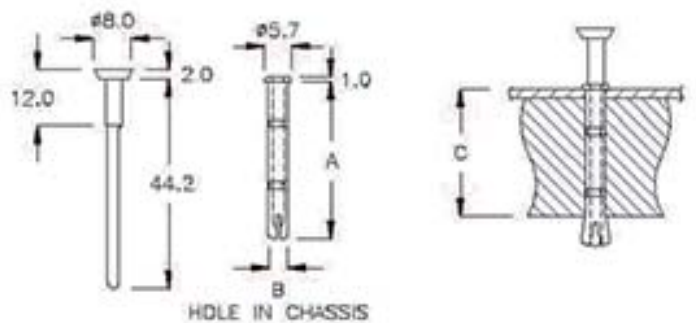


MALE MATERIAL: NYLON 66(UL)
 FEMALE MATERIAL: NYLON 66(UL)
 FLAME CLASS: 94V-2
 COLOR: BLACK

PART NO	A	B HOLE IN CHASSIS	C CHASSIS THICKNESS	PACKAGE
SR-4WY	23.5	φ4.0	20.5~21.5	2000



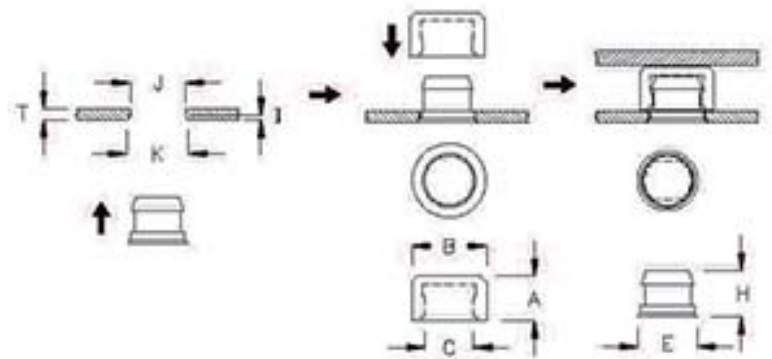
鉚釘 MOUNTING BUTTON



MALE MATERIAL: NYLON 66(UL)
 FEMALE MATERIAL: NYLON 66(UL)
 FLAME CLASS: 94V-2
 COLOR: BLACK

PART NO	A	B HOLE IN CHASSIS	C CHASSIS THICKNESS	PACKAGE
SR-4DK	33.2	φ4.0	29.0~30.0	2000

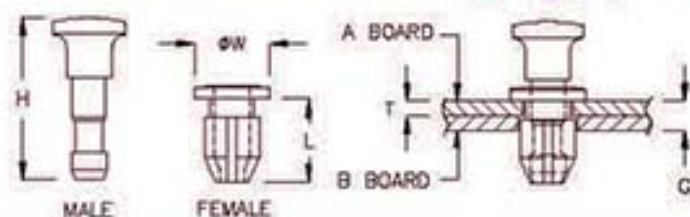
固定扣 SNAP LATCH



MATERIAL: NYLON 66(UL)
 FLAME CLASS: 94V-2
 COLOR: NATURAL

PART NO	A	B	C	E	H	I	J	K	T	PACKAGE
LH-013	4.0	φ6.9	φ4.5	φ5.6	4.2	0.6	5.1	5.8	1.2	2000
LH-015	9.4	φ8.9	φ4.5	φ5.6	4.2	0.5	5.1	5.8	1.0	
LH-016	5.1	φ6.9	φ4.5	φ5.6	4.2	0.6	5.1	5.8	1.2	
LH-017	3.6	φ6.9	φ4.5	φ5.6	3.5	0.6	5.1	5.8	1.2	
LH-018	3.4	φ6.9	φ4.5	φ5.6	3.5	1.3	5.1	5.8	1.9	
LH-019	3.8	φ6.9	φ4.6	φ5.4	4.2	0.55	4.9	5.6	1.1	
LH-021	3.0	φ6.9	φ4.6	φ5.6	3.4	0.6	5.15	5.8	1.2	
LH-024	2.9	φ6.9	φ4.5	φ5.6	2.75	0.45	5.15	6.05	0.8	
LH-026	4.0	φ6.9	φ4.5	φ5.6	3.9	0.6	5.1	5.8	0.8	
LH-027	3.3	φ6.9	φ4.6	φ5.95	3.3	0.66	5.1	6.6	1.0	

固定扣 SNAP LATCH



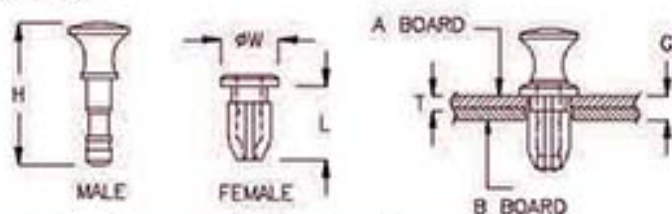
MALE MATERIAL: NYLON 66(UL)
 FLAME CLASS: 94V-2
 FEMALE MATERIAL: PC(UL)
 FLAME CLASS: 94V-2
 COLOR: BLACK

PART NO	T THICKNESS	D THICKNESS	A HOLE	B HOLE	L	W	H	PACKAGE
LH-01C	1.8~2.0	3.4~4.8	ø6.0	ø6.4	9.2	8.5	15.3	1000
LH-01D	2.1	4.1~4.8	ø6.0	ø6.4	9.2	8.5	18.2	
LH-01F	2.5	4.5~4.8	ø6.25	ø6.4	9.6	8.5	19.3	
LH-01M	1.6	2.7~3.6	ø6.1	ø6.4	8.6	8.5	17.5	
LH-01P	2.0	3.6~4.0	ø6.1	ø6.3	9.2	8.5	17.5	
LH-1	1.8~2.0	3.4~4.0	ø6.0	ø6.4	9.2	8.5	18.2	
LH-1L	3.9	7.7~8.2	ø6.0	ø6.4	11.3	8.5	20.2	500
LH-2	1.5	3.8~4.6	ø7.6	ø8.0	9.9	10.8	18.2	
LH-3	2.5	3.0~5.2	ø7.6	ø8.0	10.4	10.8	18.7	

固定扣 SNAP LATCH



MALE MATERIAL: NYLON 66(UL)
 FLAME CLASS: 94V-2
 FEMALE MATERIAL : PC(UL)
 FLAME CLASS: 94V-2
 COLOR: BLACK

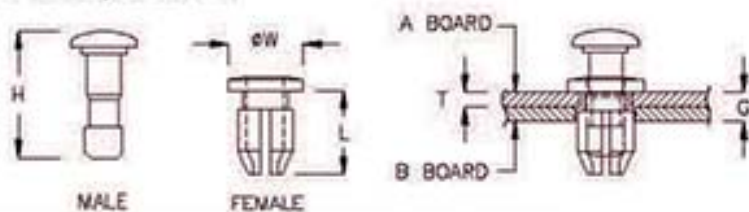


PART NO	T THICKNESS	D THICKNESS	A HOLE	B HOLE	L	W	H	PACKAGE
LH-01H	1.5~1.6	4.1~4.3	ø4.6	ø4.8	8.1	6.5	15.9	1000
LH-1RK	1.5~1.6	4.1~4.3	ø4.6	ø4.8	8.1	6.5	12.9	
LH-1Q	0.8	1.6~2.3	ø6.4	ø6.55	6.7	8.5	16.4	

固定扣 SNAP LATCH

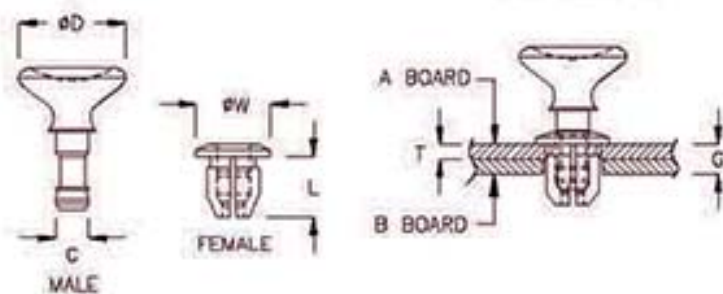


MALE MATERIAL: NYLON 66(UL)
 FLAME CLASS: 94V-2
 FEMALE MATERIAL : PC(UL)
 FLAME CLASS: 94V-2
 COLOR: NATURAL, BLACK



PART NO	T THICKNESS	D THICKNESS	A HOLE	B HOLE	L	W	H	PACKAGE
LH-01J	1.8~2.0	3.4~4.0	ø6.0	ø6.4	9.2	8.5	14.0	1000

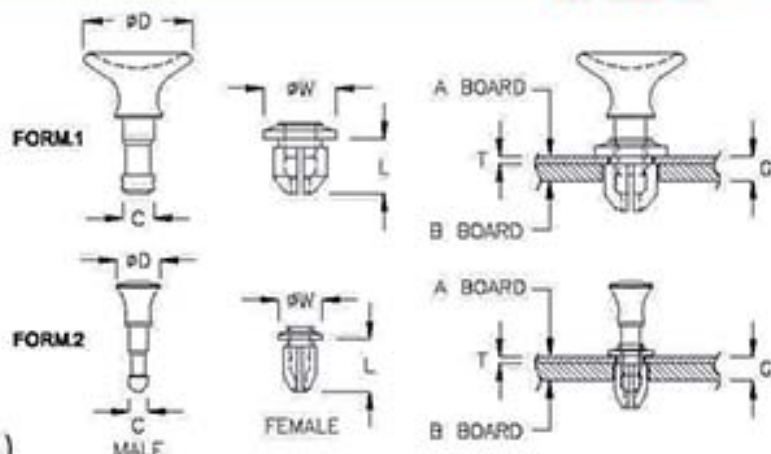
固定扣 SNAP LATCH



MALE MATERIAL: NYLON 66 (UL)
 FLAME CLASS: 94V-2
 FEMALE MATERIAL: PC (UL)
 FLAME CLASS: 94V-2
 COLOR: BLACK

PART NO	T THICKNESS	C THICKNESS	A HOLE	B HOLE	C	D	L	W	PACKAGE
LH-2D	1.5	3.8~4.6	ø7.6	ø8.0	4.6	15.8	9.9	10.8	500
LH-2C	1.6	3.4~3.7	ø7.6	ø8.0	4.5	15.6	9.0	10.9	
LH-2T	1.6	3.4~3.7	ø7.6	ø8.0	4.6	15.8	9.0	10.9	
LH-04C	1.6	2.4~3.6	ø7.6	ø8.0	4.6	16.0	8.8	10.7	
LH-04D	2.4	3.5	ø7.5	ø8.0	5.0	16.0	9.9	10.5	

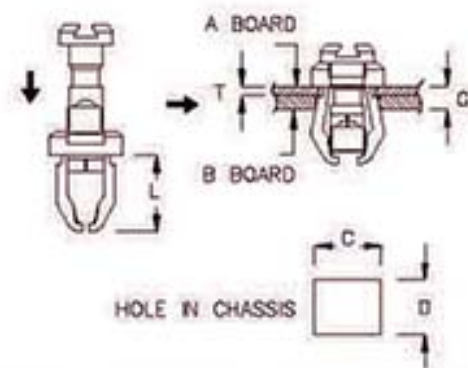
固定扣 SNAP LATCH



MALE MATERIAL: NYLON 66 (UL)
 FLAME CLASS: 94V-2
 FEMALE MATERIAL: PC (UL)
 FLAME CLASS: 94V-2
 COLOR: BLACK

PART NO	T THICKNESS	D THICKNESS	A HOLE	B HOLE	C	D	L	W	FORM	PACKAGE
LH-04A	1.0	2.6~3.0	ø7.8	ø8.0	4.6	16.0	8.1	10.7	1	500
LH-4KP	1.0	2.8~3.8	ø4.7	ø4.8	2.7	6.35	7.7	6.5	2	1000

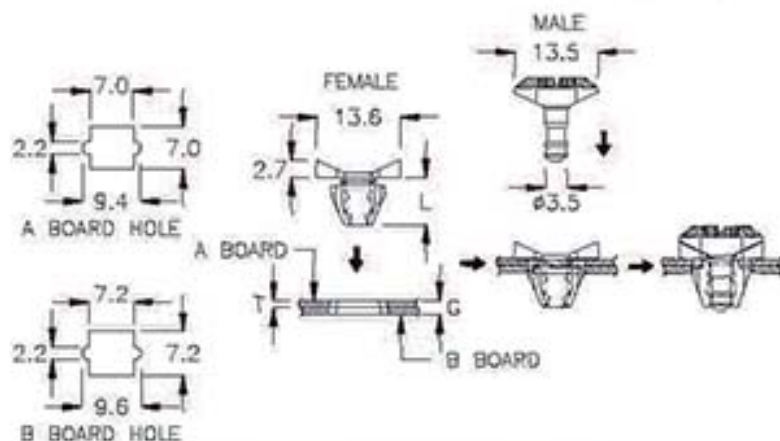
固定扣 SNAP LATCH



MATERIAL: PC (UL)
 FLAME CLASS: 94V-2
 COLOR: BLACK

PART NO	T THICKNESS	G THICKNESS	A BOARD HOLE CxD	B BOARD HOLE CxD	L	PACKAGE
LH-009	1.2	2.4~2.7	9.0x9.0	9.5x9.0	12.2	200

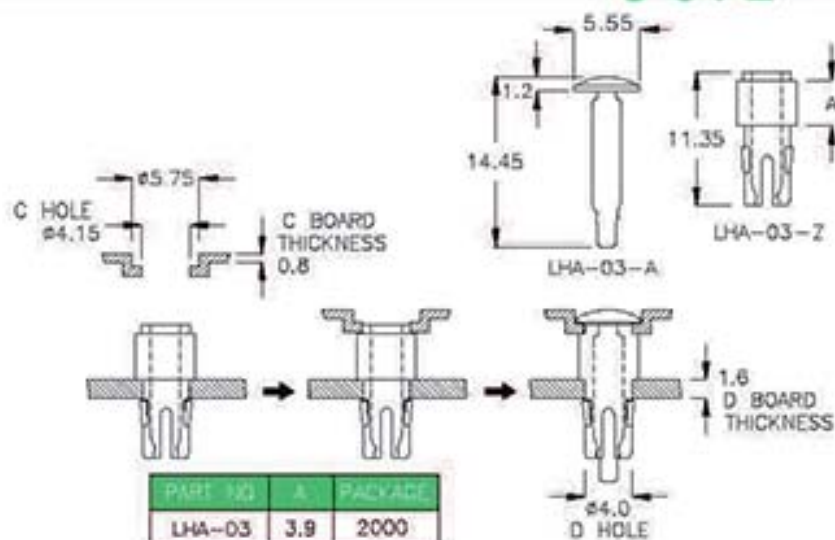
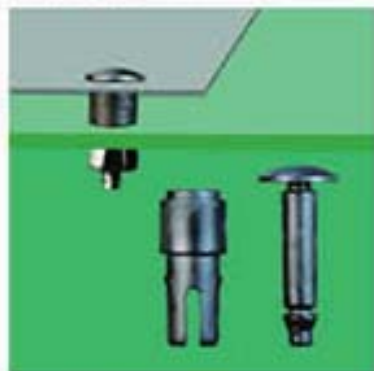
固定扣 SNAP LATCH



MATERIAL: NYLON 66(UL)
 FLAME CLASS: 94V-0
 FEMALE MATERIAL: NYLON 66(UL)
 FLAME CLASS: 94V-0
 COLOR: BLACK

PART NO	T THICKNESS	G THICKNESS	L	PACKAGE
LHM-7J0	1.0	2.2	7.7	500

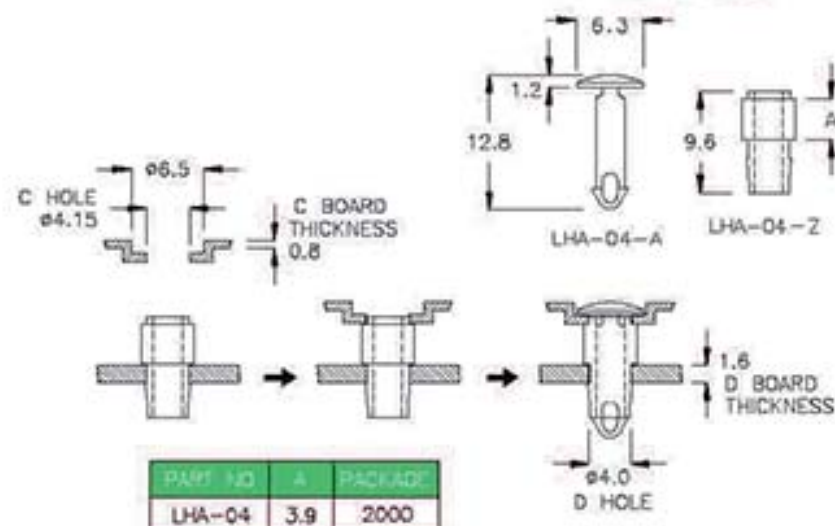
固定扣 SNAP LATCH



MATERIAL: NYLON 66(UL)
 FLAME CLASS: 94V-2
 COLOR: BLACK

PART NO	A	PACKAGE
LHA-03	3.9	2000

固定扣 SNAP LATCH



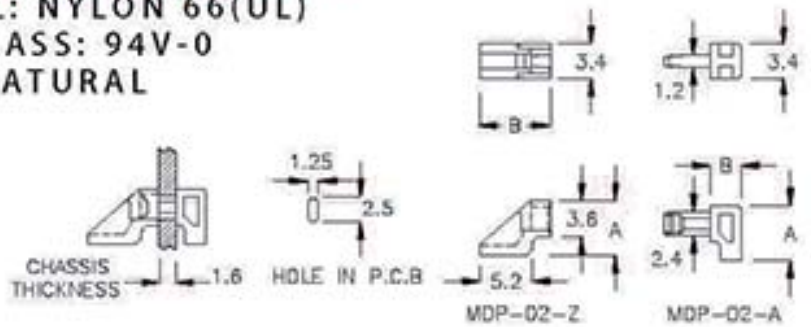
MATERIAL: NYLON 66(UL)
 FLAME CLASS: 94V-2
 COLOR: BLACK

PART NO	A	PACKAGE
LHA-04	3.9	2000



P.C.B. 固定座 P.C.B. MOUNT

MATERIAL: NYLON 66(UL)
FLAME CLASS: 94V-0
COLOR: NATURAL

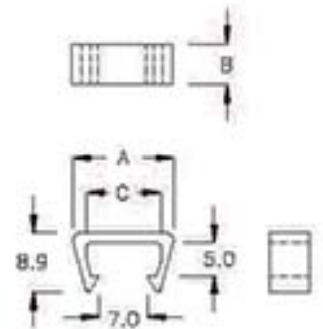


PART NO.	A	B	PACKAGE
MDP-02-A	5.4	3.0	2000
MDP-02-Z	5.4	7.0	



固定扣 MOUNT

MATERIAL: NYLON 66(UL)
FLAME CLASS: 94V-2
COLOR: NATURAL

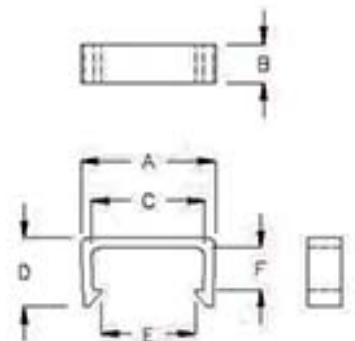


PART NO.	A	B	C	PACKAGE
LHY-01	15.0	6.0	11.0	500



天線固定扣 MOUNT

MATERIAL: NYLON 66(UL)
FLAME CLASS: 94V-2
COLOR: NATURAL



PART NO.	A	B	C	D	E	F	PACKAGE
LHY-12	12.0	7.0	9.2	6.6	7.0	2.4	2000
LHY-20	19.9	5.7	16.75	10.1	13.9	6.1	1000

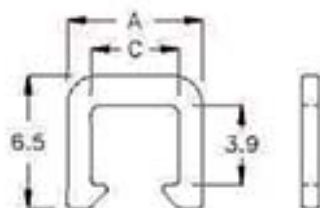
5-66-1



固定扣 MOUNT

MATERIAL: PC(UL)
FLAME CLASS: 94V-2
COLOR: NATURAL

PART NO	A	B	C	PACKAGE
LHG-06M	6.5	0.85	4.3	1000



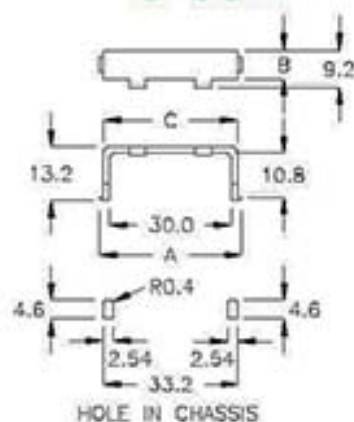
5-66-2



固定扣 NIFLATCH

MATERIAL: NYLON 66(UL)
FLAME CLASS: 94V-0
COLOR: NATURAL

PART NO	A	B	C	PACKAGE
LHU-33C	35.0	7.1	33.0	500



HOLE IN CHASSIS

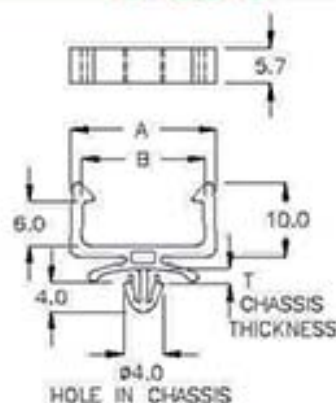
5-66-3



天線固定座 MOUNT

MATERIAL: NYLON 66(UL)
FLAME CLASS: 94V-2
COLOR: NATURAL

PART NO	A	B	T CHASSIS THICKNESS	PACKAGE
MRT-19Q	19.8	16.7	1.0~1.5	1000
MRT-19SK	19.8	16.7	1.5~2.0	



HOLE IN CHASSIS

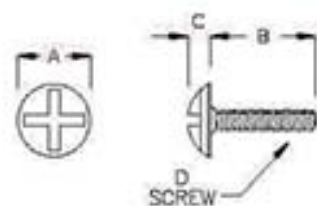
5-66-4



塑膠螺絲 PLASTIC SCREW

MATERIAL: NYLON 66(UL)
FLAME CLASS: 94V-2
COLOR: NATURAL
D: SCREW

PART NO	A	B	C	D	PACKAGE
S-2M10C	ø7.0	10.0	2.2	M2	2000

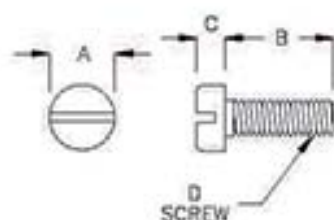




塑膠螺絲 PLASTIC SCREW

MATERIAL: NYLON 66(UL)
 FLAME CLASS: 94V-2
 COLOR: NATURAL
 D: SCREW

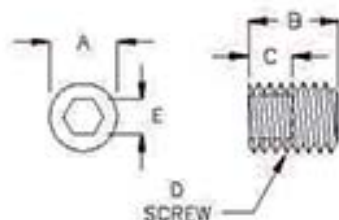
PART NO	A	B	C	D	PACKAGE
S-2M07	φ4.0	6.9	1.6	M2.6	2000
S-2M8DK	φ4.0	8.2	1.8	M2.6	
S-2M9A	φ4.0	9.5	1.6	M2.6	
S-2M10	φ4.0	10.5	1.8	M2.6	



塑膠螺絲 PLASTIC SCREW

MATERIAL: POM(UL)
 FLAME CLASS: 94HB
 COLOR: NATURAL
 D: SCREW

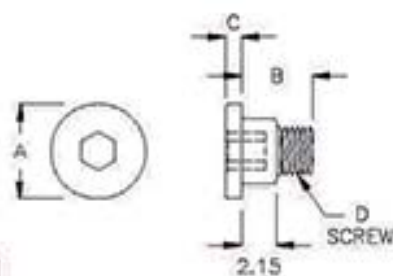
PART NO	A	B	C	D	E	PACKAGE
SU-304	φ2.9	4.0	2.5	M3	1.5	2000
SU-508	φ4.9	8.0	3.0	M5	2.5	



塑膠螺絲 PLASTIC SCREW

MATERIAL: POM(UL)
 FLAME CLASS: 94HB
 COLOR: BLACK
 D: SCREW

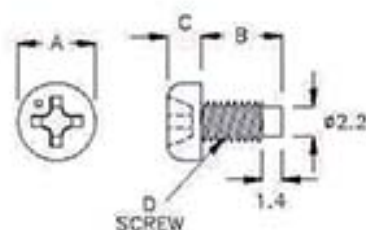
PART NO	A	B	C	D	PACKAGE
S-302Y	φ5.85	4.35	1.0	M3	2000



塑膠螺絲 PLASTIC SCREW

MATERIAL: PC(UL)
 FLAME CLASS: 94V-2
 COLOR: NATURAL
 D: SCREW
 OPTIONAL MATERIAL:
 NYLON 66(UL)

PART NO	A	B	C	D	PACKAGE
S-306A	φ5.7	5.9	2.5	M3	2000



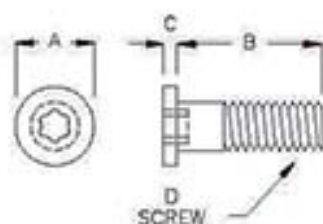
5-68-1



塑膠螺絲 PLASTIC SCREW

MATERIAL: PC(UL)
FLAME CLASS: 94V-2
COLOR: NATURAL
D: SCREW

PART NO	A	B	C	D	PACKAGE
S-410W	ø6.5	9.9	1.1	M4	1000
S-412W	ø6.5	11.9	1.1	M4	



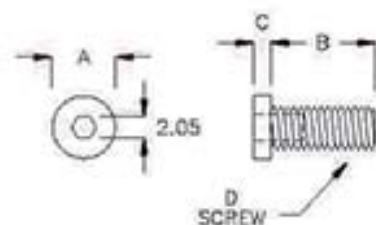
5-68-2



塑膠螺絲 PLASTIC SCREW

MATERIAL: PC(UL)
FLAME CLASS: 94V-2
COLOR: CLEAR
D: SCREW

PART NO	A	B	C	D	PACKAGE
S-410Y	ø4.9	10.2	1.0	M4	1000



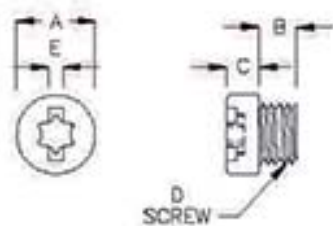
5-68-3



塑膠螺絲 PLASTIC SCREW

MATERIAL: NYLON 66(UL)
FLAME CLASS: 94V-2
COLOR: NATURAL
D: SCREW

PART NO	A	B	C	D	E	PACKAGE
SU6A-3A	ø6.8	3.5	2.8	#6-32	1.2	2000
S-6M2A	ø8.3	2.2	2.2	M6x0.5	1.0	



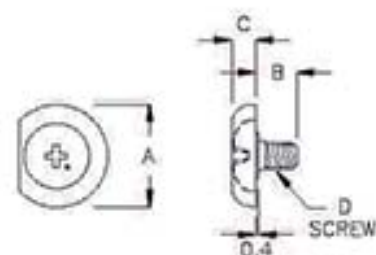
5-68-4



塑膠螺絲 PLASTIC SCREW

MATERIAL: PC(UL)
FLAME CLASS: 94V-2
COLOR: CLEAR
D: SCREW

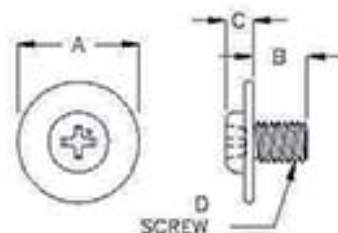
PART NO	A	B	C	D	PACKAGE
S-304F	ø11.0	4.45	2.5	M3	1000





塑膠螺絲 PLASTIC SCREW

MATERIAL: NYLON 66(UL)
 FLAME CLASS: 94V-2
 COLOR: NATURAL
 MATERIAL: PPS(UL)
 FLAME CLASS: 94V-0
 COLOR: BLACK
 D: SCREW

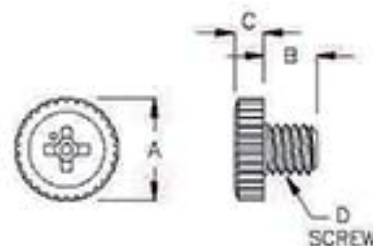


PART NO	MATERIAL	A	B	C	D	PACKAGE
S-4M5P	PPS	18.0	5.0	3.0	M4	1000
S-5M6T	PPS	18.0	6.0	3.5	M5	
S-6M8F	N66	18.0	8.0	4.0	M6	



塑膠螺絲 PLASTIC SCREW

MATERIAL: NYLON 66(UL)
 FLAME CLASS: 94V-0
 COLOR: NATURAL
 D: SCREW

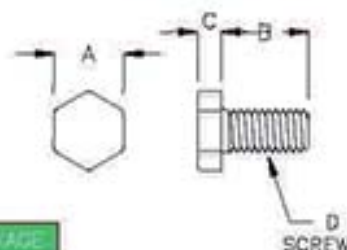


PART NO	A	B	C	D	PACKAGE
S-608W	ø11.5	5.9	3.3	M5	1000



塑膠螺絲 PLASTIC SCREW

FLAME CLASS: 94V-0
 COLOR: NATURAL
 D: SCREW

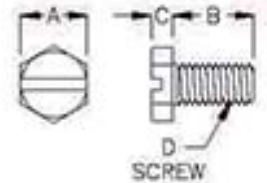


PART NO	MATERIAL	A	B	C	D	PACKAGE
SQA-406	PPS	7.0	6.0	2.4	M4	1000
SQA-408	PPS	7.0	8.0	2.4		
SQA-412	PPS	7.0	12.0	2.4		
SQA-410	PEEK	7.0	10.0	2.4		
SQA-508	PPS	8.0	8.0	2.8	M5	
SQA-510	PEEK	8.0	10.0	2.8		
SQA-512	PPS	8.0	12.0	2.8		
SQA-515	PPS	8.0	15.0	2.8		
SQA-610	PPS	8.0	10.0	2.8	M6	
SQA-612	PEEK	8.0	12.0	2.8		



塑膠螺絲 PLASTIC SCREW

MATERIAL: NYLON 66(UL)
 FLAME CLASS: 94V-2
 COLOR: NATURAL
 D: SCREW

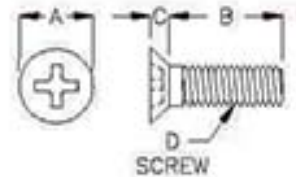


PART NO	A	B	C	D	PACKAGE
SUN4-406	4.7	6.35	1.35	#4-40	1000
SUN4-409	4.7	9.5	1.35		
SUN4-412	4.7	12.7	1.35		
SUN4-419	4.7	19.0	1.35		
SUN4-425	4.7	25.4	1.35	#6-32	
SUN6-606	6.2	6.35	2.25		
SUN6-609	6.2	9.5	2.25		
SUN6-612	6.2	12.7	2.25		
SUN6-619	6.2	19.0	2.25		
SUN6-625	6.2	25.4	2.25		



塑膠螺絲 PLASTIC SCREW

MATERIAL: PC(UL), NYLON 66(UL)
 FLAME CLASS: 94V-2
 COLOR: CLEAR, NATURAL
 MATERIAL: PEEK(UL), PPS(UL)
 FLAME CLASS: 94V-0
 COLOR: NATURAL, BLACK
 D: SCREW



PART NO	MATERIAL	A	B	C	D	PACKAGE
SF-1039D	PEEK	ø3.2	2.0	1.2	M1.6	1000
SF-103NT	PEEK	ø3.2	2.5	1.2		
SF-104RM	PEEK	ø3.2	3.0	1.2		
SF-104WK	PEEK	ø3.2	3.5	1.2		
SF-105DP	PEEK	ø3.2	4.0	1.2		
SF-205	PC/N66	ø3.8	3.3	1.2	M2	1000
SF-304	N66	ø6.0	2.3	1.7	M3	2000
SF-306	PC/N66	ø5.4	4.5	1.4	M3	1000
SF-308	PC/N66	ø5.8	6.4	1.5		
SF-310	PC/N66	ø5.5	9.0	1.2	M3	
SF-312	PC/N66	ø5.1	10.8	1.4		
SF-314	PC	ø5.6	12.8	1.4		

PART NO	MATERIAL	A	B	C	D	PACKAGE
SF-406	PC	ø7.4	3.8	2.4	M4	1000
SF-408	PC/N66	ø7.4	5.8	2.4		
SF-410	PC	ø7.6	7.9	2.1	M4	500
SF-412	PC	ø7.4	9.8	2.4	M4	1000
SF-414	PPS/PC	ø7.4	11.6	2.4		
SF-416	PC	ø7.4	13.8	2.4		
SF-417	PPS/PC	ø7.4	14.6	2.4		
SF-418	PPS/PC	ø7.4	15.6	2.4		
SF-511	PC	ø9.1	8.2	2.5	M5	
SF-513	PC	ø9.1	10.2	2.5		
SF-515	PC	ø9.1	12.2	2.5		
SF-517	PPS/PC	ø9.1	14.5	2.5		
SF-518	PPS/PC	ø9.1	15.5	2.5		
SF-520	PPS/PC	ø9.1	17.5	2.5		
SUN-12	PC/N66	ø5.6	10.55	2.1		#4-40



塑膠螺絲 PLASTIC SCREW

MATERIAL: PC(UL), NYLON 66(UL)

FLAME CLASS: 94V-2

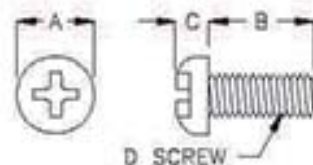
COLOR: CLEAR, NATURAL

MATERIAL: PEEK(UL), PPS(UL), PEI

FLAME CLASS: 94V-0

COLOR: NATURAL, BLACK

D: SCREW



PART NO	MATERIAL	A	B	C	D	PACKAGE
S-102SY	PEEK	ø3.8	2.0	1.2	M1.6	2000
S-102LM	PEEK	ø3.8	2.5	1.2		
S-103FC	PEEK	ø3.8	3.17	1.2		
S-103A	PC/N66	ø3.8	3.3	1.2		
S-103YJ	PEEK	ø3.8	3.5	1.2		
S-104KP	PEEK	ø3.8	4.0	1.2		
S-104OH	PEEK	ø3.8	4.76	1.2		
S-105K	PC/N66	ø3.0	4.95	1.0		
S-108	PC/N66	ø3.8	6.0	1.2		
S-107WK	PEEK	ø3.8	7.94	1.2		
★ S-2M3P	PC	ø3.5	3.0	1.3	M2.0	1000
S-2M4K	PC/N66	ø6.0	4.5	2.5		
S-2M6A	PC/N66	ø3.5	6.5	1.3		
S-2M08	PC/N66	ø3.5	8.0	1.3		
S-2M10A	PC	ø5.7	10.0	2.5		
S-2AM11	PC/N66	ø4.3	11.0	1.6	M2.5	
S-2M05	PC/N66	ø5.7	5.0	2.8	M2.6	
S-2M06	PC/N66	ø5.7	6.0	2.8		
S-304C	PC/N66	ø5.7	4.0	2.5	M3	
S-305A	PC/N66	ø5.7	5.0	2.5	M3	
S-306	PC/N66	ø5.7	6.4	2.5		
S-306MK	PC/N66	ø5.7	6.0	1.2		
S-308	PC/N66	ø5.7	8.0	2.5		
S-310	PC/N66	ø5.7	10.0	2.5		
S-312	PC/N66	ø5.7	12.1	2.5		
S-315	PC/N66	ø5.7	15.1	2.5		
★ S-318FK	PEI	ø5.7	18.0	2.5		
S-318	PC	ø5.7	18.3	2.5		
★ S-320	PEI	ø5.7	20.0	2.5		

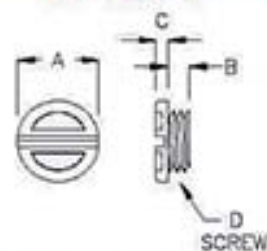
PART NO	MATERIAL	A	B	C	D	PACKAGE
S-406	PC/N66	ø7.4	6.3	2.7	M4	1000
S-408	PC/N66	ø7.4	8.0	2.8		
S-410	PC/N66	ø7.5	10.2	2.6		
S-412	PC/N66	ø7.4	12.2	2.7		
S-414	PC/N66	ø7.5	14.2	2.7		
S-416	PC/N66	ø7.4	16.2	2.7		
S-420	PC/N66	ø7.4	20.0	2.8		
S-425	PPS/PC	ø7.5	25.0	2.7		
S-510	PC/N66	ø9.1	10.2	3.6	M5	
S-512	PC/N66	ø9.1	12.2	3.5		
S-516	PC	ø9.1	16.1	3.5		
S-520	PC	ø9.1	20.2	3.6		
S-525	PPS/PC	ø9.1	25.0	3.5	M6	
S-530	PPS/PC	ø9.1	30.0	3.5		
S-605	PC/N66	ø9.0	4.1	3.3		
S-606	PPS/PC	ø9.0	6.0	3.3		
S-608	PPS/PC	ø9.0	8.0	3.3		
S-610	PPS/PC	ø9.0	10.0	3.3		
S-612	PPS/PC	ø9.0	12.0	3.3		
S-615	PPS/PC	ø9.0	15.0	3.3		
S-618	PPS/PC	ø9.0	18.0	3.3		
S-620	PPS/PC	ø9.0	20.0	3.3		
SU2-12A	PC/N66	ø4.2	12.7	1.5	#2-56	2000
SU6-06	PC/N66	ø6.9	6.4	2.5	#6-32	

5-72-1



塑膠螺絲 PLASTIC SCREW

MATERIAL: NYLON 66(UL)
 FLAME CLASS: 94V-2
 COLOR: NATURAL
 MATERIAL: PPS(UL)
 FLAME CLASS: 94V-0
 COLOR: BLACK
 D: SCREW



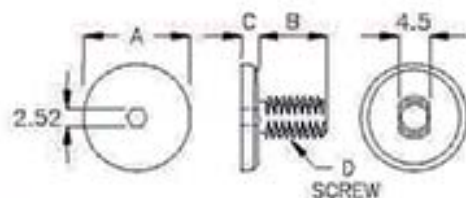
PART NO	MATERIAL	A	B	C	D	PACKAGE
S-4M2D	PPS	6.0	2.5	1.2	M4	2000
S-5M2K	PPS	7.0	2.8	1.2	M5	
S-6M02	N66	8.0	2.1	1.2	M6	
S-8M03	PPS	10.0	3.0	1.2	M8	

5-72-2



塑膠螺絲 PLASTIC SCREW

MATERIAL: ABS+PC(UL)
 FLAME CLASS: 94V-0
 COLOR: BLACK
 D: SCREW



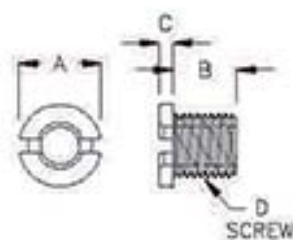
PART NO	A	B	C	D	PACKAGE
★ S-810TY	φ15.6	10.0	2.5	M6	1000

5-72-3



塑膠螺絲 PLASTIC SCREW

MATERIAL: NYLON 66(UL)
 FLAME CLASS: 94V-2
 COLOR: NATURAL
 D: SCREW



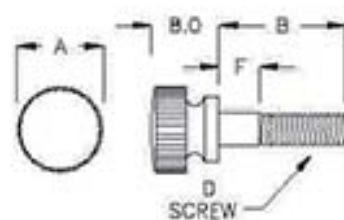
PART NO	A	B	C	D	PACKAGE
S-7M06	8.8	6.8	1.5	M7	1000

5-72-4



塑膠螺絲 PLASTIC SCREW

MATERIAL: NYLON 66(UL)
 FLAME CLASS: 94V-2
 COLOR: BLACK
 D: SCREW

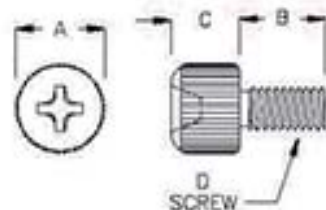


PART NO	A	B	D	F	L	PACKAGE
S-318C	φ9.0	10.0	M3	2.0	18.0	1000
S-423C	φ10.5	15.0	M4	5.0	23.0	
S-523C	φ10.5	15.0	M5	5.0	23.0	
S-626C	φ10.5	18.0	M6	5.0	26.0	



螺絲 SCREW

MATERIAL: ABS+PC
 COLOR: GRAY
 SCREW MATERIAL: ALLOY BRASS
 D: SCREW

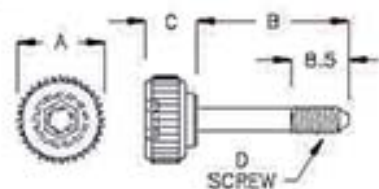


PART NO.	A	B	C	D	PACKAGE
SW4-08	φ8.3	8.0	6.4	M4	500



螺絲 SCREW

MATERIAL: ABS+PC
 COLOR: GRAY
 SCREW MATERIAL: ALLOY BRASS
 D: SCREW

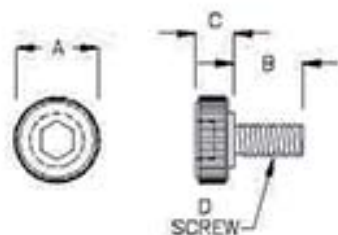


PART NO.	A	B	C	D	PACKAGE
SW4-29	φ13.0	21.3	7.7	M4	500
SW4-31	φ13.0	24.0	7.7	M4	



螺絲 SCREW

MATERIAL: ABS+PC
 COLOR: GRAY
 SCREW MATERIAL: ALLOY BRASS
 D: SCREW

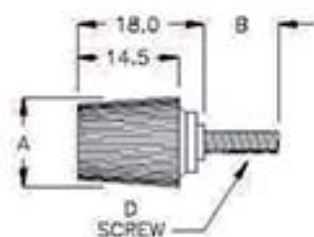


PART NO.	A	B	C	D	PACKAGE
SW5-16	φ12.8	10.3	5.7	M5	500
UN-610	φ12.8	9.0	5.7	φ6-32	



螺絲 SCREW

MATERIAL: NYLON 66(UL)
 FLAME CLASS: 94V-2
 COLOR: GRAY
 SCREW MATERIAL: IRON
 D: SCREW

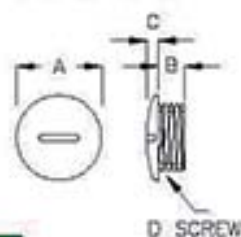


PART NO.	A	B	D	PACKAGE
SCR3-27	φ11.6	9.5	M3	200



螺旋塞環 SCREW PLUG

MATERIAL: NYLON 66(UL)
FLAME CLASS: 94V-2
COLOR: BLACK
D: SCREW

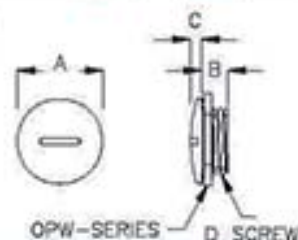


PART NO	A	B	C	D SCREW	PACKAGE
SM-UNEF58-N2B	φ23.5	8.0	3.5	5/8"-24UNEF	200
SM-PF12-N2B	φ26.3	8.1	3.5	PF1/2"	
SM-M8-N2B	φ12.0	8.5	2.4	M8	1000
SM-M10-N2B	φ14.0	8.5	2.4	M10	
SM-M12-N2B	φ16.15	8.5	3.35	M12	
SM-M16-N2B	φ20.2	8.0	3.45	M16	200
SM-M20-N2B	φ25.5	7.95	3.6	M20	
SM-M20A-N2B	φ25.5	6.0	3.6	M20	
SM-M25-N2B	φ30.3	8.45	3.55	M25	



防水螺旋塞環 WATERPROOF PLUG

MATERIAL: NYLON 66(UL)
FLAME CLASS: 94V-2
COLOR: BLACK
D: SCREW
WATERPROOF PROVE: IP67



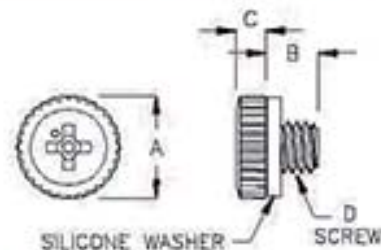
PART NO	A	B	C	D SCREW	ASSEMBLE WITH P.G. PART	PACKAGE
SM-UNEF58-JTB-X	φ23.5	8.0	3.5	5/8"-24UNEF	WSR-22AP-XBB	200
SM-PF12-HHB-X	φ26.3	8.1	3.5	PF1/2"	OPW-20-HSB	
SM-M8-HHB-X	φ12.0	8.5	2.4	M8	OPW-7A-SFB	1000
SM-M10-HHB-X	φ14.0	8.5	2.4	M10	OPW-9CD-SFB	
SM-M12-JTB-X	φ16.15	8.5	3.35	M12	WSR-11RM-XBB	
SM-M16-HHB-X	φ20.2	8.0	3.45	M16	OPW-15D-HSB	200
SM-M20-HHB-X	φ25.5	7.95	3.6	M20	OPW-19M-HSB	
SM-M20A-HHB-X	φ25.5	6.0	3.6	M20	OPW-19M-HSB	
SM-M25-HHB-X	φ30.3	8.45	3.55	M25	OPW-24A-HSB	

ASSEMBLE WITH P.G. PART OPW-SERIES/WSR-SERIES (Page 8-33-1, 8-33-3)



塑膠螺絲 PLASTIC SCREW

MATERIAL: NYLON 66(UL)
FLAME CLASS: 94V-0
COLOR: NATURAL
D: SCREW

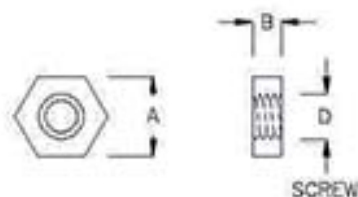


PART NO	A	B	C	D	PACKAGE
S-608W-43-X	φ11.5	5.9	3.3	M6	1000

塑膠螺帽 PLASTIC NUT



MATERIAL: PC(UL)
 FLAME CLASS: 94V-2
 COLOR: NATURAL
 MATERIAL: NYLON 66(UL)
 FLAME CLASS: 94V-2
 COLOR: NATURAL, BLACK
 D: SCREW

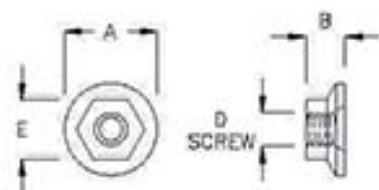


PART NO	A	B	D	MATERIAL	COLOR	PACKAGE
S-2M	5.0	2.4	M2.6	PC	NATURAL	1000
S-2MD	4.9	1.9	M2.6	PC	NATURAL	
S-3M	5.5	2.5	M3	PC	NATURAL	
S-4M	8.0	3.3	M4	PC	NATURAL	
S-5M	8.0	4.4	M5	PC	NATURAL	
S-7M	10.2	3.95	M7x0.75	N66	NATURAL	
S-12M	18.0	5.1	M12x1.5	N66	BLACK	
UN4-40AN	4.75	2.54	#4-40	N66	NATURAL	
UN4-40DK	6.35	2.54	#4-40	N66	NATURAL	
UN6-32	6.1	2.5	#6-32	PC	NATURAL	
UN6-32GP	6.35	3.05	#6-32	N66	NATURAL	
UN6-32RT	7.75	3.05	#6-32	N66	NATURAL	

塑膠螺帽 PLASTIC NUT



MATERIAL: NYLON 66(UL)
 FLAME CLASS: 94V-2
 COLOR: NATURAL
 D: SCREW

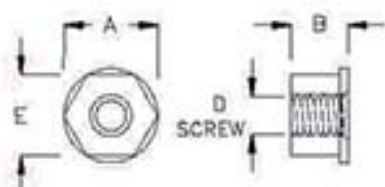


PART NO	A	B	D	E	PACKAGE
S-3MF	ø8.5	3.2	M3	5.4	1000
S-4MF	ø10.0	4.0	M4	6.9	
S-5MF	ø11.0	5.0	M5	7.9	

塑膠螺帽 PLASTIC NUT



MATERIAL: PC(UL)
 FLAME CLASS: 94V-2
 COLOR: CLEAR
 D: SCREW

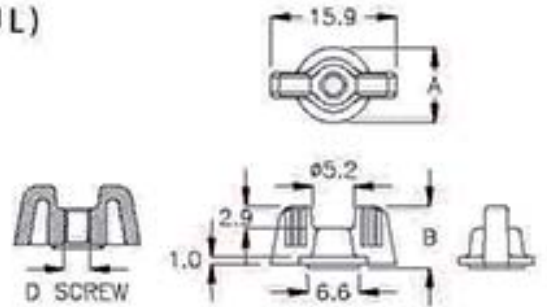


PART NO	A	B	D	E	PACKAGE
UN10-24	ø10.55	6.35	#10-24	9.15	1000

塑膠螺帽 PLASTIC NUT



MATERIAL: NYLON 66(UL)
 FLAME CLASS: 94V-2
 COLOR: NATURAL
 D: SCREW

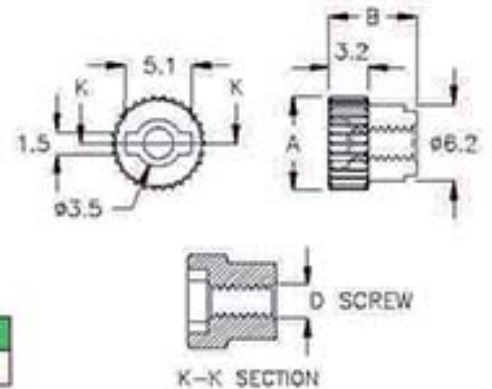


PART NO	A	B	D	PACKAGE
SMA4-40C	ø9.55	7.9	#4-40	1000
SMA6-32F	ø9.55	7.9	#6-32	

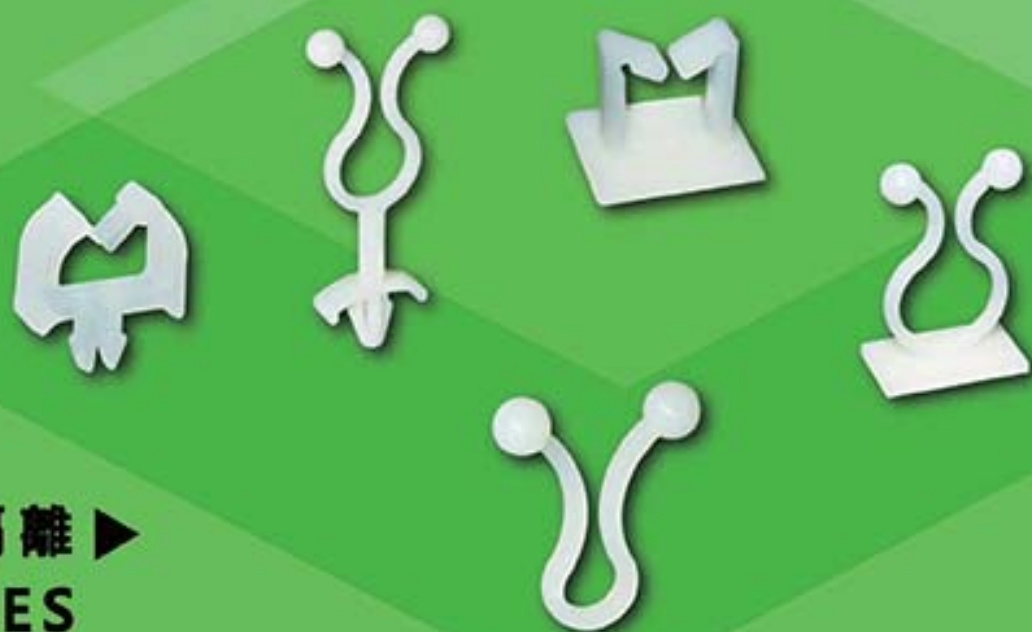
塑膠螺帽 PLASTIC NUT



MATERIAL: NYLON 66(UL)
 FLAME CLASS: 94V-2
 COLOR: NATURAL
 D: SCREW



PART NO	A	B	D	PACKAGE
SMC4-40D	ø7.6	7.1	#4-40	1000



線材隔離 ▶
SADDLES



線材固定 ▶
CABLE CLAMPS

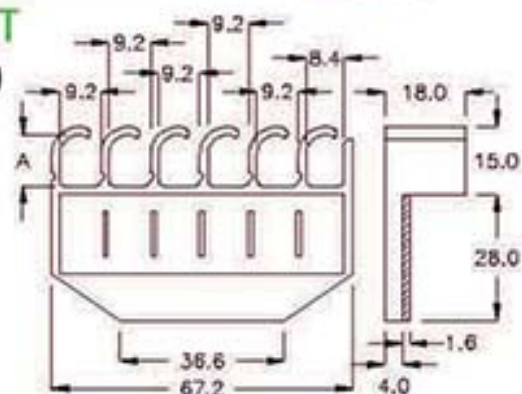
6-2-1



電線固定板 WIRE MOUNT

MATERIAL: NYLON 66(UL)
 FLAME CLASS: 94V-2
 COLOR: NATURAL
 ADHESIVE TAPE: 3M

PART NO	A	PACKAGE
6FW-10	11.0	50



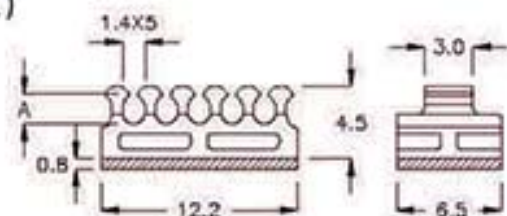
6-2-2



電線固定板 WIRE MOUNT

MATERIAL: NYLON 66(UL)
 FLAME CLASS: 94V-2
 COLOR: NATURAL
 ADHESIVE TAPE: 3M

PART NO	A	PACKAGE
CMX-12A	1.8	2000



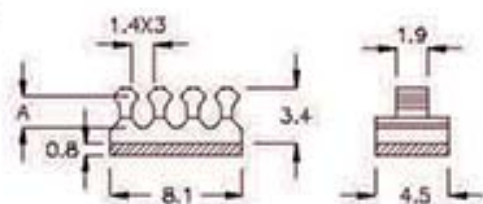
6-2-3



電線固定座 WIRE MOUNT

MATERIAL: NYLON 66(UL)
 FLAME CLASS: 94V-2
 COLOR: NATURAL
 ADHESIVE TAPE: 3M

PART NO	A	PACKAGE
CMR-8D	1.8	2000



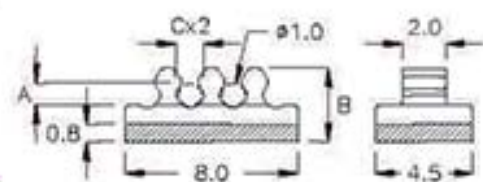
6-2-4



電線固定座 WIRE MOUNT

MATERIAL: NYLON 66(UL)
 FLAME CLASS: 94V-2
 COLOR: BLACK
 ADHESIVE TAPE: 3M

PART NO	A	B	C	PACKAGE
CMR-BAT	1.15	3.4	1.3	2000
★ CMR-BKF	1.7	4.2	1.46	

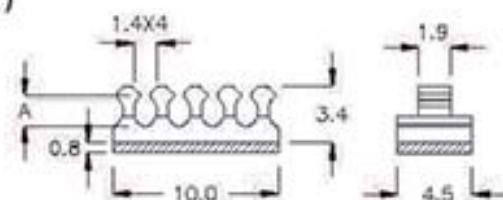


6-3-1



電線固定座 WIRE MOUNT

MATERIAL: NYLON 66(UL)
 FLAME CLASS: 94V-2
 COLOR: NATURAL
 ADHESIVE TAPE: 3M



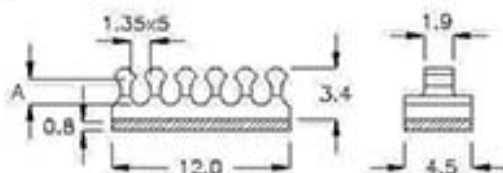
PART NO	A	PACKAGE
CMR-10FK	1.8	2000

6-3-2



電線固定座 WIRE MOUNT

MATERIAL: NYLON 66(UL)
 FLAME CLASS: 94V-2
 COLOR: NATURAL
 ADHESIVE TAPE: 3M



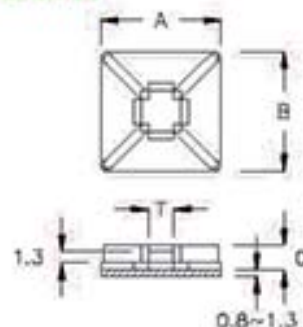
PART NO	A	PACKAGE
CMR-12QW	1.8	2000

6-3-3



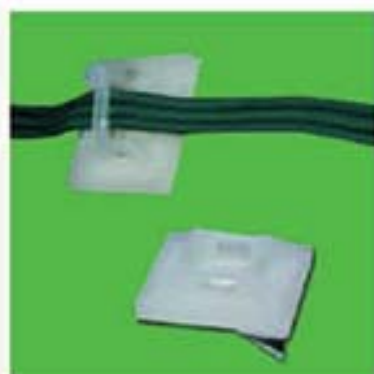
束線固定板 ADHESIVE BACKED MOUNT

MATERIAL: NYLON 66(UL)
 FLAME CLASS: 94V-2
 COLOR: NATURAL
 ADHESIVE TAPE: 3M



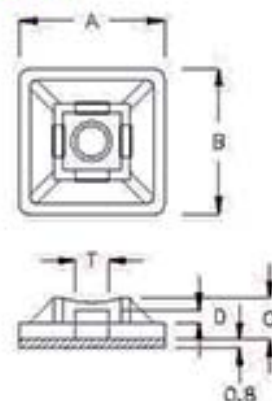
PART NO	A	B	C	T	PACKAGE
AB-2	19.0	19.0	3.9	3.4	500
AB-25	13.0	13.0	3.9	2.8	1000

6-3-4



束線固定板 ADHESIVE BACKED MOUNT

MATERIAL: NYLON 66(UL)
 FLAME CLASS: 94V-2
 COLOR: NATURAL
 ADHESIVE TAPE: 3M
 ALSO CAN BE FASTENED WITH M3 SCREW



PART NO	A	B	C	D	T	PACKAGE
AB-3S	19.8	19.8	5.5	1.6	4.4	500
AB-3	28.3	28.3	5.9	1.8	5.0	200

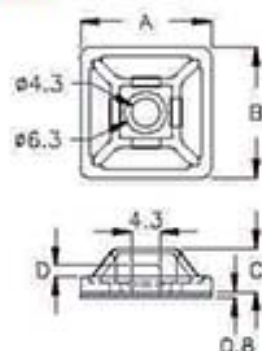
6-4-1



束線固定板 ADHESIVE BACKED MOUNT

MATERIAL: NYLON 66(UL)
 FLAME CLASS: 94V-2
 COLOR: NATURAL
 ADHESIVE TAPE: 3M
 ALSO CAN BE FASTENED
 WITH #6-32 SCREW

NEW



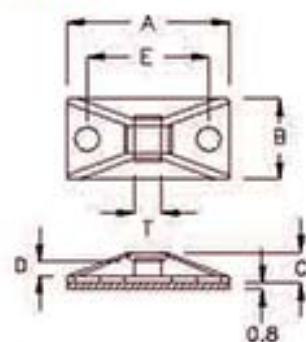
PART NO	A	B	C	D	PACKAGE
★ AB-20PJ	19.8	19.8	6.6	1.7	500

6-4-2



束線固定板 ADHESIVE BACKED MOUNT

MATERIAL: NYLON 66(UL)
 FLAME CLASS: 94V-2
 COLOR: NATURAL
 ADHESIVE TAPE: 3M
 ALSO CAN BE FASTENED
 WITH SCREW "F"



PART NO	A	B	C	D	E	F WITH SCREW	T	PACKAGE
AB-3P	24.0	12.0	4.5	1.95	18.0	M3	4.0	500
AB-3R	15.0	9.0	4.5	1.95	10.5	M2	3.8	

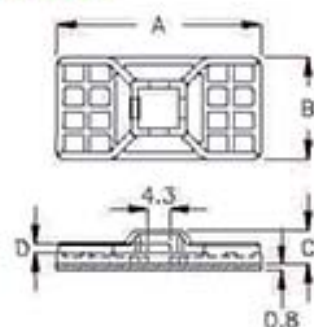
6-4-3



束線固定板 ADHESIVE BACKED MOUNT

MATERIAL: NYLON 66(UL)
 FLAME CLASS: 94V-2
 COLOR: NATURAL
 ADHESIVE TAPE: 3M

NEW



PART NO	A	B	C	D	PACKAGE
★ AB-20QW	39.6	19.8	6.6	1.7	500

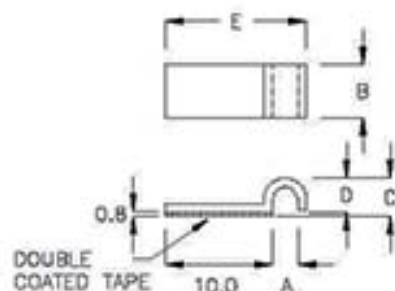
6-5-1



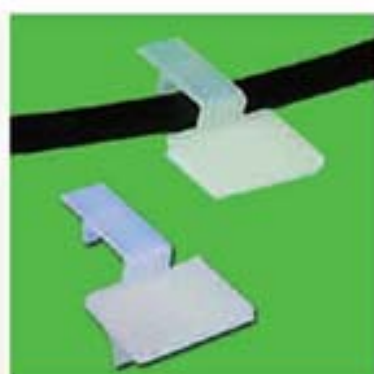
壓線座 WIRE CLAMP

MATERIAL: NYLON 66(UL)
 FLAME CLASS: 94V-2
 COLOR: NATURAL
 ADHESIVE TAPE: 3M

PART NO	A	B	C	D	E	PACKAGE
FS-05	2.4	5.0	4.1	3.2	13.2	2000
FS-12PT	1.5	5.0	3.2	2.4	12.3	



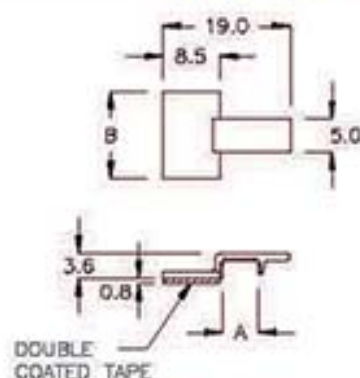
6-5-2



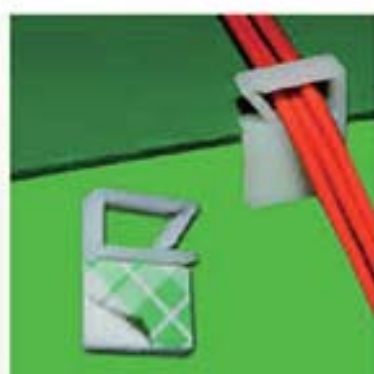
壓線座 WIRE CLAMP

MATERIAL: NYLON 66(UL)
 FLAME CLASS: 94V-2
 COLOR: NATURAL
 ADHESIVE TAPE: 3M

PART NO	A	B	PACKAGE
FCP-05	5.2	13.0	500



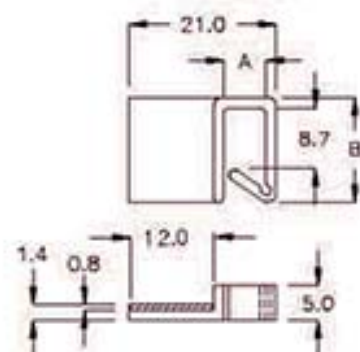
6-5-3



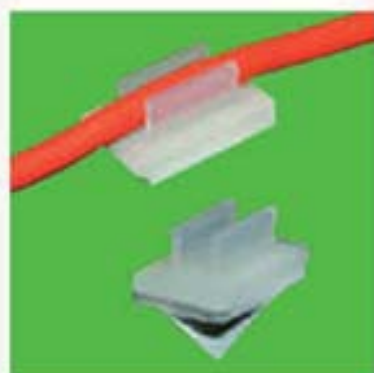
隔離束線座 WIRE SADDLE

MATERIAL: NYLON 66(UL)
 FLAME CLASS: 94V-2
 COLOR: NATURAL
 ADHESIVE TAPE: 3M

PART NO	A	B	PACKAGE
AB-5	6.0	15.0	500



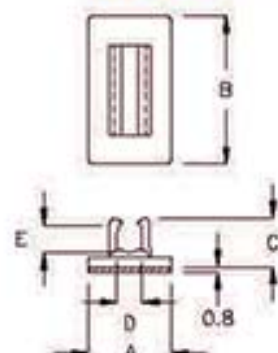
6-5-4



隔離束線座 WIRE SADDLE

MATERIAL: NYLON 66(UL)
 FLAME CLASS: 94V-2
 COLOR: NATURAL
 ADHESIVE TAPE: 3M

PART NO	A	B	C	D	E	PACKAGE
FU-10AK	8.5	10.0	5.0	2.0	2.2	2000
FU-10DF	8.5	10.0	5.8	3.0	3.2	
FU-15A	8.5	15.2	5.0	2.5	2.7	



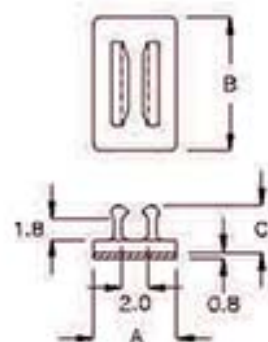
6-6-1



隔離束線座 WIRE SADDLE

MATERIAL: NYLON 66(UL)
FLAME CLASS: 94V-2
COLOR: NATURAL
ADHESIVE TAPE: 3M

PART NO	A	B	C	PACKAGE
FUS-10C	6.5	10.5	3.7	2000



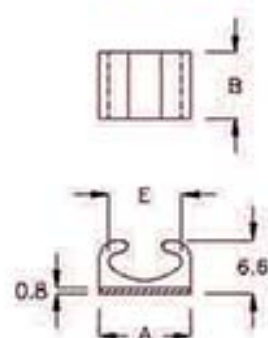
6-6-2



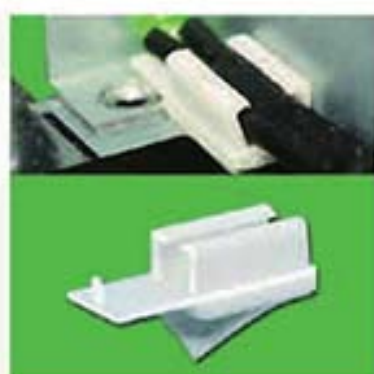
電線固定座 WIRE MOUNT

MATERIAL: NYLON 66(UL)
FLAME CLASS: 94V-2
COLOR: NATURAL
ADHESIVE TAPE: 3M

PART NO	A	B	E	PACKAGE
FUM-12	11.25	8.0	9.0	2000
FUM-12FD	13.1	8.0	10.45	



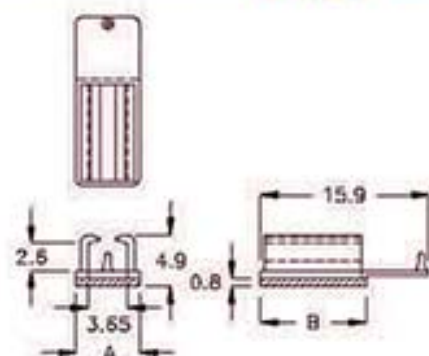
6-6-3



隔離束線座 WIRE SADDLE

MATERIAL: NYLON 66(UL)
FLAME CLASS: 94V-2
COLOR: NATURAL
ADHESIVE TAPE: 3M

PART NO	A	B	PACKAGE
FUA-16	6.0	10.0	2000



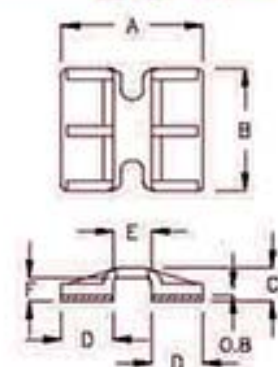
6-6-4



電線固定座 WIRE MOUNT

MATERIAL: NYLON 66(UL)
FLAME CLASS: 94V-2
COLOR: BLACK
ADHESIVE TAPE: 3M

PART NO	A	B	C	D	E	F	PACKAGE
FWF-1A	14.0	12.0	3.5	5.1	3.8	2.6	1000
FWF-1C	24.0	12.0	3.6	9.6	4.8	2.6	500
FWF-1D	20.0	12.0	3.6	7.6	4.8	2.6	
FWF-1M	24.0	12.0	3.8	9.4	5.2	2.8	



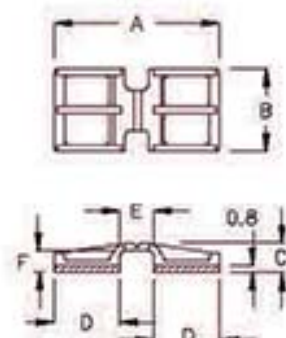
6-7-1



電線固定座 WIRE MOUNT

MATERIAL: NYLON 66(UL)
FLAME CLASS: 94V-2
COLOR: BLACK
ADHESIVE TAPE: 3M

PART NO	A	B	C	D	E	F	PACKAGE
FWF-1F	24.0	12.0	3.6	9.6	4.8	2.6	500
FWF-1N	24.0	12.0	4.1	9.6	4.8	3.1	
FWF-1P	24.0	12.0	4.1	9.4	5.2	3.1	



6-7-2

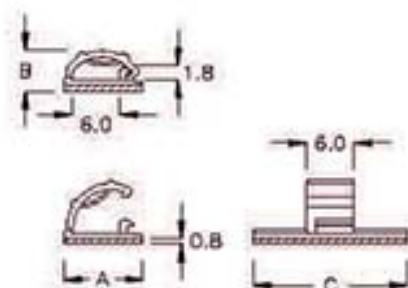


電線固定座 WIRE MOUNT

MATERIAL: NYLON 66(UL)
FLAME CLASS: 94V-2
COLOR: NATURAL
ADHESIVE TAPE: 3M

WITH LOCK FEATURE

PART NO	A	B	C	PACKAGE
CHW-1C	10.0	5.5	19.5	500



6-7-3

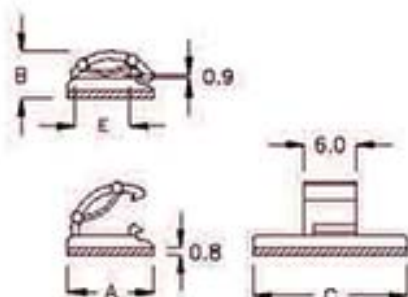


電線固定座 WIRE MOUNT

MATERIAL: NYLON 66(UL)
FLAME CLASS: 94V-2
COLOR: NATURAL
ADHESIVE TAPE: 3M

WITH LOCK FEATURE

PART NO	A	B	C	E	PACKAGE
CHW-01	10.0	5.8	19.5	6.0	500
CHW-2M	14.1	8.4	19.6	10.35	
CHW-04	10.0	5.8	12.0	6.0	
CHW-05	10.0	5.8	18.8	6.3	
CHW-07	10.0	5.8	19.5	6.1	



6-7-4

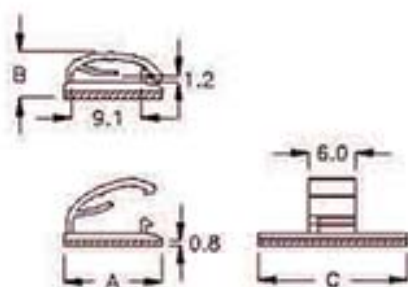


電線固定座 WIRE MOUNT

MATERIAL: NYLON 66(UL)
FLAME CLASS: 94V-2
COLOR: NATURAL
ADHESIVE TAPE: 3M

WITH LOCK FEATURE

PART NO	A	B	C	PACKAGE
CHW-2K	13.0	6.3	20.0	500

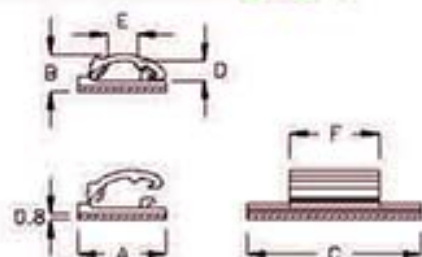


6-8-1



電線固定座 WIRE MOUNT

MATERIAL: NYLON 66(UL)
FLAME CLASS: 94V-2
COLOR: NATURAL
ADHESIVE TAPE: 3M



WITH LOCK FEATURE

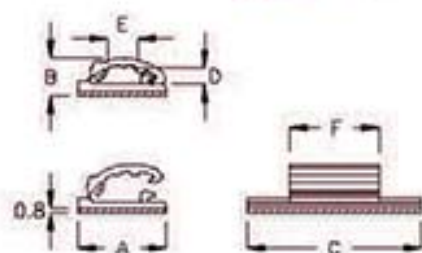
PART NO.	A	B	C	D	E	F	PACKAGE
CHW-2Q	10.0	4.7	19.5	2.2	3.3	10.0	500

6-8-2



電線固定座 WIRE MOUNT

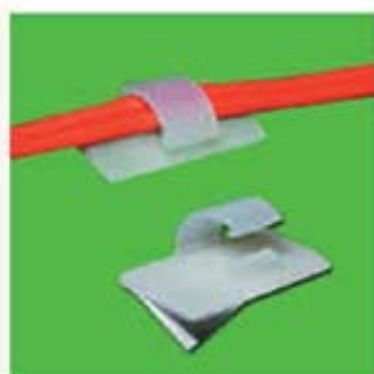
MATERIAL: NYLON 66(UL)
FLAME CLASS: 94V-2
COLOR: NATURAL
ADHESIVE TAPE: 3M



WITH LOCK FEATURE

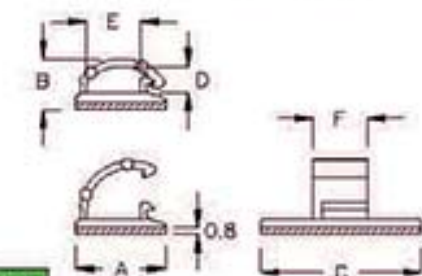
PART NO.	A	B	C	D	E	F	PACKAGE
CHW-2AC	10.0	4.7	19.5	1.8	3.3	10.0	500

6-8-3



電線固定座 WIRE MOUNT

MATERIAL: NYLON 66(UL)
FLAME CLASS: 94V-2
COLOR: NATURAL
ADHESIVE TAPE: 3M



WITH LOCK FEATURE

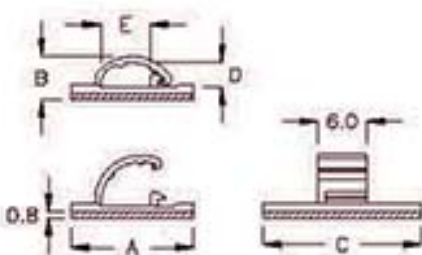
PART NO.	A	B	C	D	E	F	PACKAGE
CHW-1A	10.0	6.1	19.5	3.0	6.0	6.0	500
CHW-1J	8.5	4.7	12.0	1.8	3.5	7.0	1000
CHW-2C	10.0	6.3	20.0	3.0	5.9	11.0	500
CHW-3R	10.0	7.9	30.0	4.3	5.4	20.0	

6-8-4



電線固定座 WIRE MOUNT

MATERIAL: NYLON 66(UL)
FLAME CLASS: 94V-2
COLOR: BLACK
ADHESIVE TAPE: 3M



WITH LOCK FEATURE

PART NO.	A	B	C	D	E	PACKAGE
CHW-1D	15.0	5.4	19.5	3.0	6.0	500
CHW-1H	15.0	5.3	19.5	2.5	6.0	

6-9-1

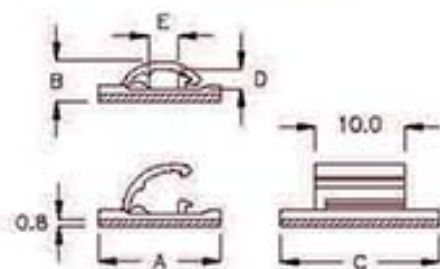


電線固定座 WIRE MOUNT

MATERIAL: NYLON 66(UL)
FLAME CLASS: 94V-2
COLOR: BLACK
ADHESIVE TAPE: 3M

WITH LOCK FEATURE

PART NO	A	B	C	D	E	PACKAGE
CHW-1F	15.0	5.4	19.5	2.5	3.4	500



6-9-2

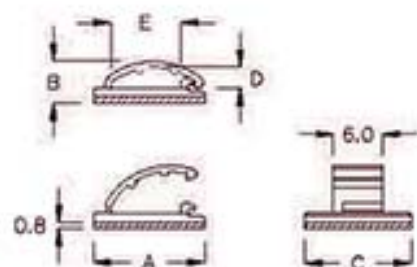


電線固定座 WIRE MOUNT

MATERIAL: NYLON 66(UL)
FLAME CLASS: 94V-2
COLOR: BLACK
ADHESIVE TAPE: 3M

WITH LOCK FEATURE

PART NO	A	B	C	D	E	PACKAGE
CHW-4W	13.5	5.1	13.0	2.6	8.5	500



6-9-3

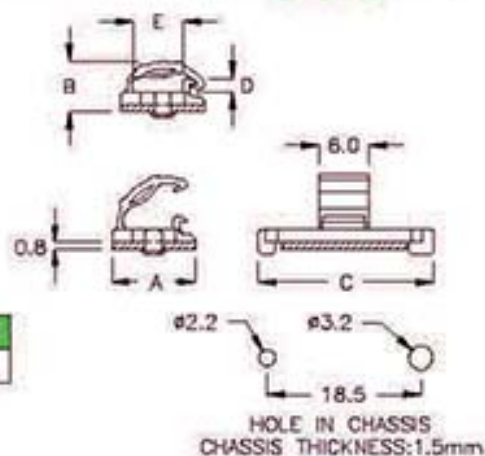


電線固定座 WIRE MOUNT

MATERIAL: NYLON 66(UL)
FLAME CLASS: 94V-2
COLOR: NATURAL
ADHESIVE TAPE: 3M

WITH LOCK FEATURE

PART NO	A	B	C	D	E	PACKAGE
CZQ-1SK	10.0	8.1	21.0	1.7	6.0	500



6-9-4

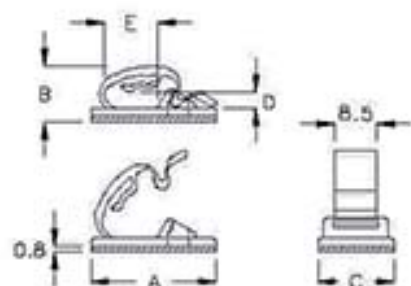


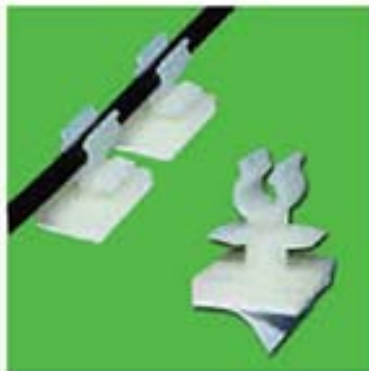
電線固定座 WIRE MOUNT

MATERIAL: NYLON 66(UL)
FLAME CLASS: 94V-2
COLOR: NATURAL
ADHESIVE TAPE: 3M

WITH LOCK FEATURE

PART NO	A	B	C	D	E	PACKAGE
CZJ-20K	20.5	10.1	12.5	2.7	8.8	500

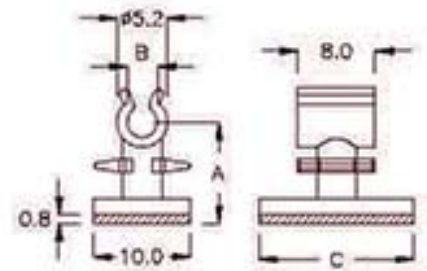




電線固定座 WIRE MOUNT

MATERIAL: NYLON 66(UL)
 FLAME CLASS: 94V-2
 COLOR: NATURAL
 ADHESIVE TAPE: 3M

PART NO	A	B CLOSE DIA	C	PACKAGE
FGH-01	10.3	φ3.2	15.9	500

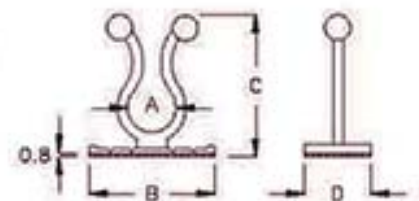


電線固定座 MOUNTING PURSE LOCK

MATERIAL: NYLON 66(UL)
 FLAME CLASS: 94V-2
 COLOR: NATURAL
 ADHESIVE TAPE: 3M
 SUIT FOR: ARCUATE SURFACE

WITH LOCK FEATURE

PART NO	A	B	C	D	CLOSE DIA	PACKAGE
AB-8C	9.5	25.0	28.3	13.0	φ8.2	500

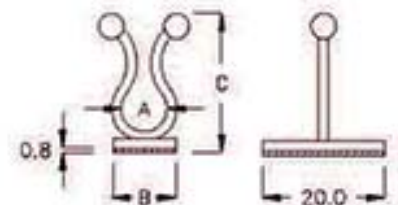


電線固定座 MOUNTING PURSE LOCK

MATERIAL: NYLON 66(UL)
 FLAME CLASS: 94V-2
 COLOR: NATURAL
 ADHESIVE TAPE: 3M

WITH LOCK FEATURE

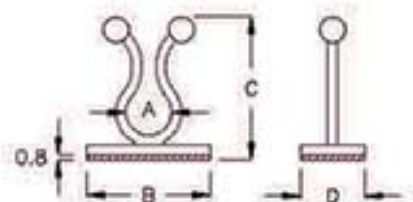
PART NO	A	B	C	CLOSE DIA	PACKAGE
AB-4	6.7	10.0	28.6	φ5.8	500





電線固定座 MOUNTING PURSE LOCK

MATERIAL: NYLON 66(UL)
 FLAME CLASS: 94V-2
 COLOR: NATURAL
 ADHESIVE TAPE: 3M



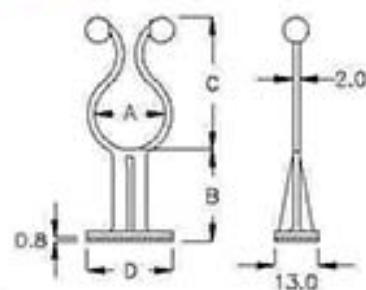
WITH LOCK FEATURE

PART NO	A	B	C	D	CLOSE DIA	PACKAGE
AB-3DT	4.0	18.0	18.0	14.0	ø3.0	500
AB-04C	4.9	20.0	25.2	13.0	ø4.0	
AB-04D	4.9	14.5	21.1	15.5	ø4.0	
AB-05C	6.0	20.0	24.7	13.0	ø5.0	
AB-7	8.7	20.0	22.7	13.0	ø7.0	
AB-07C	8.7	15.5	23.0	16.0	ø7.0	
AB-8	9.5	24.8	27.9	13.0	ø8.2	
AB-08D	9.5	15.5	25.4	20.0	ø8.2	
AB-8FA	9.5	20.0	27.0	14.0	ø8.5	
AB-10	10.8	21.0	31.3	19.0	ø10.0	
AB-10D	10.8	18.5	27.3	21.0	ø10.0	
AB-12A	14.0	22.0	35.3	13.0	ø12.5	
AB-13	14.8	22.0	35.5	13.0	ø13.0	
AB-13A	14.8	25.0	35.5	20.0	ø13.3	
AB-16	17.8	25.0	39.3	13.0	ø16.2	
AB-16C	17.9	25.0	39.3	18.0	ø16.0	
AB-18	20.0	25.0	39.0	18.0	ø18.0	
AB-20R	22.2	25.4	43.0	25.4	ø20.5	
AB-22	21.0	25.5	40.8	13.0	ø19.0	



電線固定座 MOUNTING PURSE LOCK

MATERIAL: NYLON 66(UL)
 FLAME CLASS: 94V-2
 COLOR: BLACK
 ADHESIVE TAPE: 3M



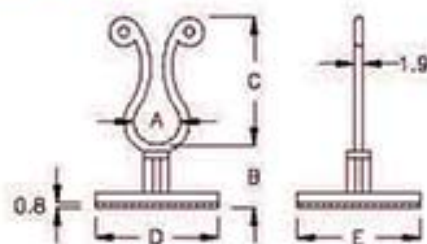
WITH LOCK FEATURE

PART NO	A	B	C	D	CLOSE DIA	PACKAGE
AB-18JK	21.0	26.8	39.1	25.2	ø18.5	200
AB-18MD	21.0	16.8	39.1	25.2	ø18.5	



電線固定座 MOUNTING PURSE LOCK

MATERIAL: NYLON 66(UL)
 FLAME CLASS: 94V-2
 COLOR: NATURAL
 ADHESIVE TAPE: 3M



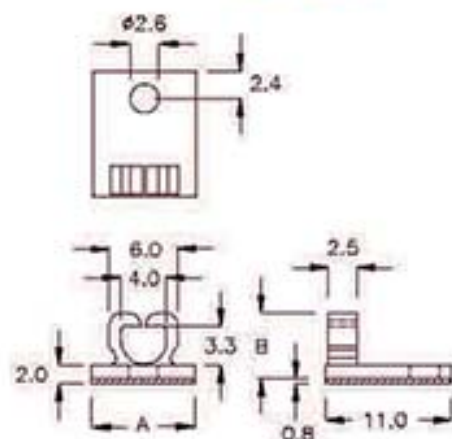
WITH LOCK FEATURE

PART NO	A	B	C	D	E	CLOSE DIA	PACKAGE
AB-8S	9.5	6.25	26.3	25.4	25.4	ø8.5	200
AB-8H	9.5	12.6	26.3	25.4	25.4	ø8.5	
AB-10A	11.8	27.3	28.0	25.4	25.4	ø10.2	
AB-11A	11.4	4.8	27.4	25.4	13.0	ø9.7	



隔離束線座 WIRE SADDLE

MATERIAL: NYLON 66(UL)
 FLAME CLASS: 94V-2
 COLOR: NATURAL
 ADHESIVE TAPE: 3M
 ALSO CAN BE FASTENED WITH M2.5 SCREW

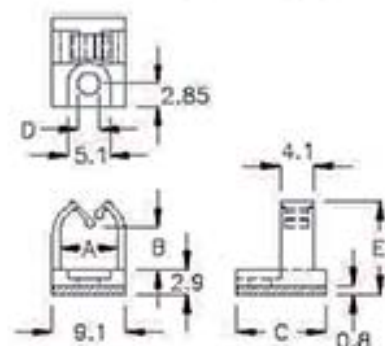


PART NO	A	B	PACKAGE
CHF-4A	9.0	5.7	1000



隔離束線座 WIRE SADDLE

MATERIAL: NYLON 66(UL)
 FLAME CLASS: 94V-2
 COLOR: NATURAL
 ADHESIVE TAPE: 3M
 ALSO CAN BE FASTENED WITH M2.5 or M3 SCREW

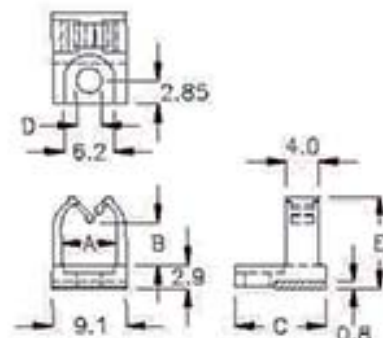


PART NO	A	B	C	D	E	USE SCREW	PACKAGE
CHF-B	6.9	5.0	11.0	ø2.7	11.3	M2.5	500
CHF-8A	6.9	5.0	11.0	ø3.1	11.2	M3	
CHF-8C	7.0	9.0	10.9	ø2.7	15.0	M2.5	



隔離束線座 WIRE SADDLE

MATERIAL: NYLON 66(UL)
 FLAME CLASS: 94V-2
 COLOR: NATURAL
 ADHESIVE TAPE: 3M
 ALSO CAN BE FASTENED
 WITH M3 SCREW

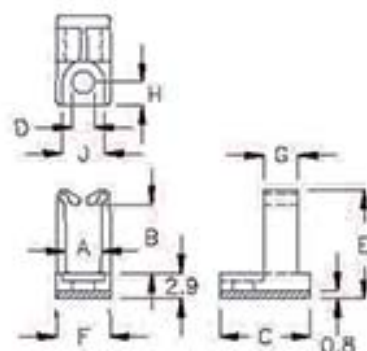


PART NO	A	B	C	D	E	PACKAGE
CHFQ-6DM	6.9	5.25	11.3	∅3.1	11.4	1000

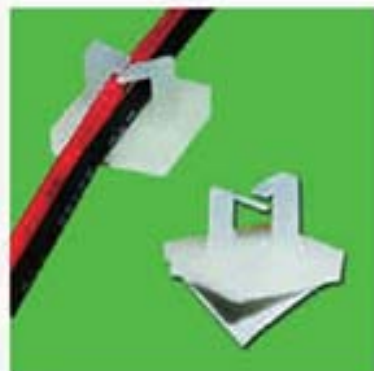


隔離束線座 WIRE SADDLE

MATERIAL: NYLON 66(UL)
 FLAME CLASS: 94V-2
 COLOR: NATURAL, BLACK
 ADHESIVE TAPE: 3M
 ALSO CAN BE FASTENED
 WITH M2.5 or M3 SCREW

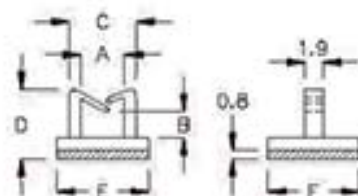


PART NO	A	B	C	D	E	F	G	H	J	USE SCREW	PACKAGE
CHFA-4RQ	4.7	8.3	11.0	∅2.7	13.0	6.5	4.1	2.9	5.1	M2.5	1000
CHFA-6QW	6.8	13.9	15.0	∅3.1	19.6	10.0	5.0	5.0	5.1	M3	
CHFA-18TK	18.0	38.7	22.0	∅3.1	46.0	22.0	8.0	5.0	5.6	M3	



隔離束線座 WIRE SADDLE

MATERIAL: NYLON 66(UL)
 FLAME CLASS: 94V-2
 COLOR: NATURAL
 ADHESIVE TAPE: 3M

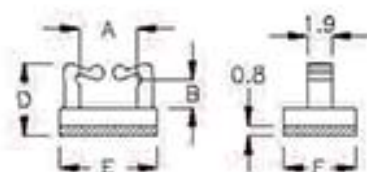


PART NO	A	B	C	D	E	F	PACKAGE
AB-20C	4.55	2.7	6.95	7.2	9.6	9.6	2000
AB-20H	4.5	2.7	6.95	7.3	8.0	8.8	
★ AB-20JQ	4.5	2.7	6.95	7.3	8.0	6.0	



隔離束線座 WIRE SADDLE

MATERIAL: NYLON 66(UL)
FLAME CLASS: 94V-2
COLOR: BLACK
ADHESIVE TAPE: 3M

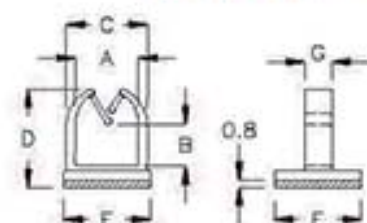


PART NO	A	B	D	E	F	PACKAGE
ABH-4K	4.5	2.2	5.65	7.6	5.6	2000

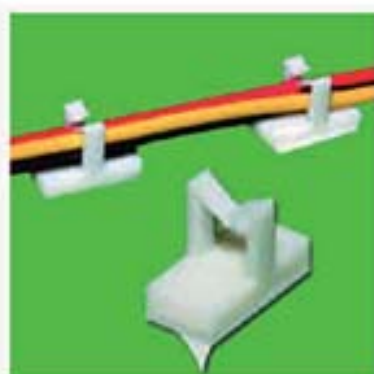


隔離束線座 WIRE SADDLE

MATERIAL: NYLON 66(UL)
FLAME CLASS: 94V-2
COLOR: NATURAL
ADHESIVE TAPE: 3M

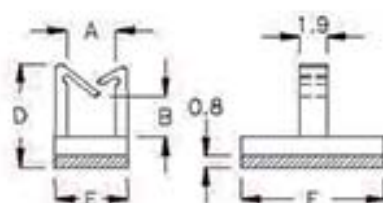


PART NO	A	B	C	D	E	F	G	PACKAGE
CAR-4A	4.5	2.95	7.0	8.25	9.4	9.4	2.0	2000
CAR-9CD	9.2	6.0	11.9	14.2	12.7	12.7	4.0	500



隔離束線座 WIRE SADDLE

MATERIAL: NYLON 66(UL)
FLAME CLASS: 94V-2
COLOR: NATURAL
ADHESIVE TAPE: 3M

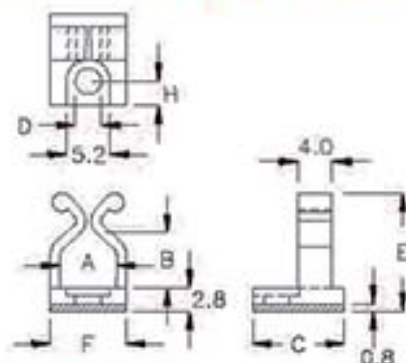


PART NO	A	B	D	E	F	PACKAGE
ABD-10P	3.4	2.7	7.2	5.0	10.0	2000



隔離束線座 WIRE SADDLE

MATERIAL: NYLON 66(UL)
FLAME CLASS: 94V-2
COLOR: BLACK, NATURAL
ADHESIVE TAPE: 3M
ALSO CAN BE FASTENED WITH M3 SCREW

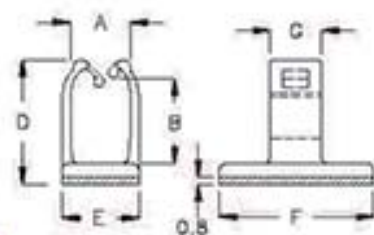


PART NO	A	B	C	D	E	F	H	PACKAGE
CHFD-6RM	6.8	6.3	10.9	∅3.1	14.1	9.0	2.85	1000
CHFD-9GD	9.0	9.0	12.7	∅3.1	18.3	12.7	3.5	



隔離束線座 WIRE SADDLE

MATERIAL: NYLON 66(UL)
 FLAME CLASS: 94V-2
 COLOR: NATURAL
 ADHESIVE TAPE: 3M

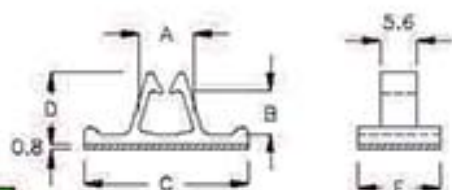


PART NO	A	B	D	E	C	F	PACKAGE
CML-7RJ	7.0	10.0	14.6	9.0	6.0	20.0	500

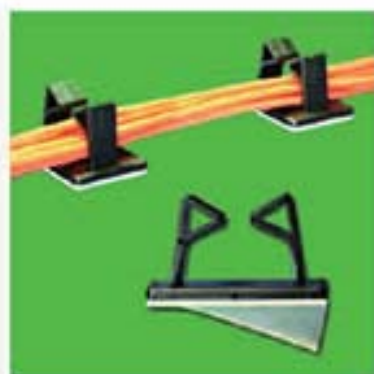


隔離束線座 WIRE SADDLE

MATERIAL: NYLON 66(UL)
 FLAME CLASS: 94V-2
 COLOR: NATURAL
 ADHESIVE TAPE: 3M

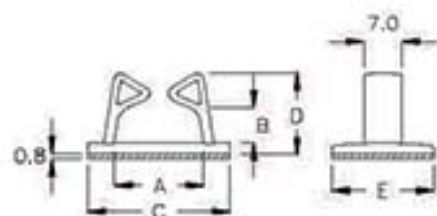


PART NO	A	B	C	D	E	PACKAGE
AB-15A	8.4	6.7	25.5	11.2	12.7	500
AB-15F	8.4	6.0	17.6	10.5	8.9	

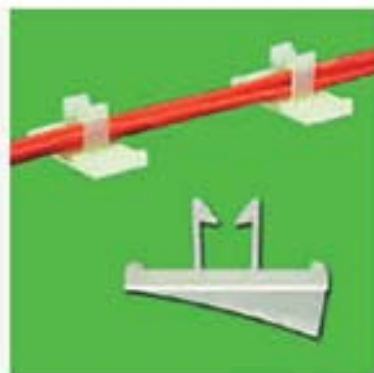


電線固定座 WIRE MOUNT

MATERIAL: NYLON 66(UL)
 FLAME CLASS: 94V-2
 COLOR: BLACK
 ADHESIVE TAPE: 3M

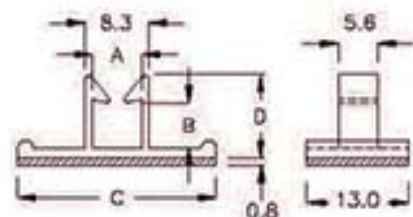


PART NO	A	B	C	D	E	PACKAGE
AB-15H	16.6	6.3	26.4	14.9	19.0	500



隔離束線座 WIRE SADDLE

MATERIAL: NYLON 66(UL)
 FLAME CLASS: 94V-2
 COLOR: NATURAL
 ADHESIVE TAPE: 3M

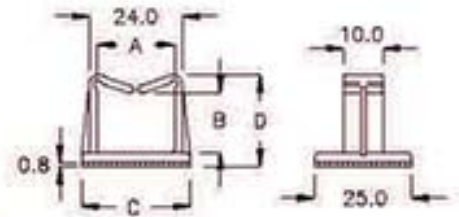


PART NO	A	B	C	D	PACKAGE
AB-15	6.4	5.8	25.5	10.7	500
AB-15C	6.4	4.5	19.0	9.5	



隔離束線座 WIRE SADDLE

MATERIAL: NYLON 66(UL)
 FLAME CLASS: 94V-2
 COLOR: NATURAL
 ADHESIVE TAPE: 3M

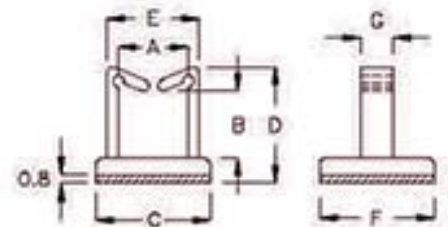


PART NO	A	B	C	D	PACKAGE
AB-20GP	20.0	15.3	28.0	23.3	200



隔離束線座 WIRE SADDLE

MATERIAL: NYLON 66(UL)
 FLAME CLASS: 94V-2
 COLOR: NATURAL
 ADHESIVE TAPE: 3M

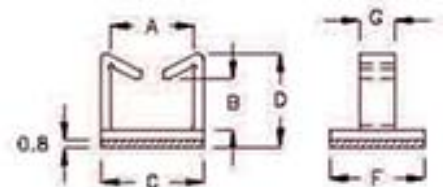


PART NO	A	B	C	D	E	F	G	PACKAGE
AB-20	11.6	10.2	21.0	17.9	15.6	19.0	5.3	500
AB-20A	11.2	8.1	21.0	16.3	15.2	19.0	5.3	
AB-20F	11.5	10.0	17.0	17.9	15.4	12.5	5.3	
AB-20K	16.6	9.8	26.4	17.9	20.6	19.0	7.0	
AB-20D	20.0	10.0	25.7	17.9	23.8	19.0	5.3	

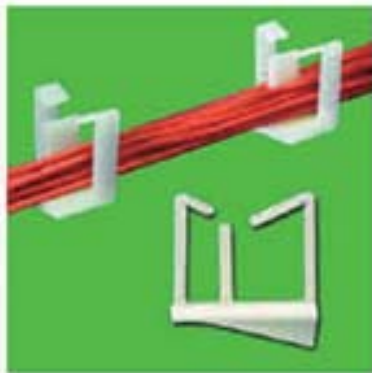


隔離束線座 WIRE SADDLE

MATERIAL: NYLON 66(UL)
 FLAME CLASS: 94V-2
 COLOR: NATURAL
 ADHESIVE TAPE: 3M

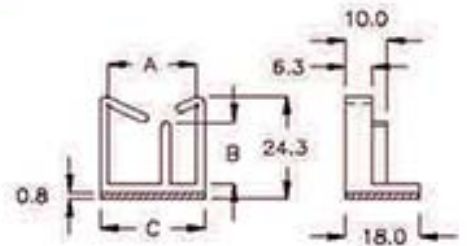


PART NO	A	B	C	D	F	G	PACKAGE
AB-11SJ	11.5	19.8	15.5	26.8	19.0	5.3	200
AB-20L	16.5	10.2	20.5	18.2	18.9	7.0	
AB-20M	6.8	14.0	10.0	20.0	20.0	5.0	500



隔離束線座 WIRE SADDLE

MATERIAL: NYLON 66(UL)
 FLAME CLASS: 94V-2
 COLOR: NATURAL
 ADHESIVE TAPE: 3M

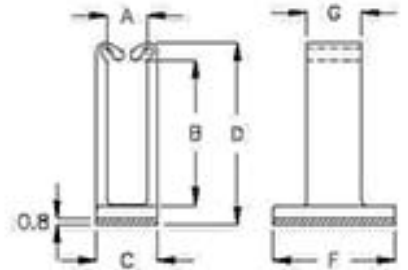


PART NO	A	B	C	PACKAGE
AB-21A	21.7	15.2	25.7	200



隔離束線座 WIRE SADDLE

MATERIAL: NYLON 66(UL)
 FLAME CLASS: 94V-2
 COLOR: BLACK, NATURAL
 ADHESIVE TAPE: 3M

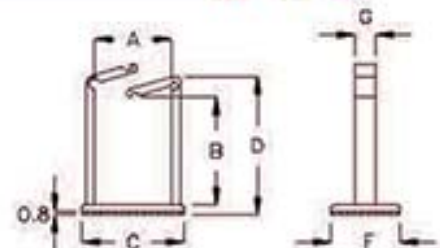


PART NO	A	B	C	D	F	G	PACKAGE
ABK-5Q	5.8	24.0	9.0	29.3	20.0	8.0	200



隔離束線座 WIRE SADDLE

MATERIAL: NYLON 66(UL)
 FLAME CLASS: 94V-2
 COLOR: NATURAL
 ADHESIVE TAPE: 3M



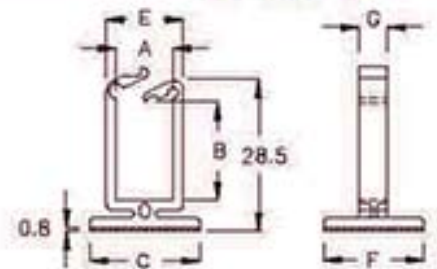
PART NO	A	B	C	D	F	G	PACKAGE
CMF-10CS	10.4	13.6	13.0	19.8	22.0	10.0	200
CMF-15A	15.1	27.7	19.5	34.0	19.5	10.0	100
CMF-17	17.0	27.8	22.0	34.0	22.0	10.0	
CMF-23	23.0	31.8	30.0	40.8	20.0	6.0	

6-18-1



隔離束線座 WIRE SADDLE

MATERIAL: NYLON 66(UL)
 FLAME CLASS: 94V-2
 COLOR: NATURAL
 ADHESIVE TAPE: 3M



PART NO	A	B	C	E	F	G	PACKAGE
CHU-06	10.8	18.6	21.0	14.8	19.0	5.3	500

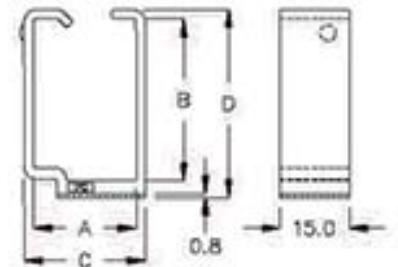
6-18-2



隔離束線座 WIRE SADDLE

MATERIAL: NYLON 66(UL)
 FLAME CLASS: 94V-2
 COLOR: NATURAL
 ADHESIVE TAPE: 3M

NEW



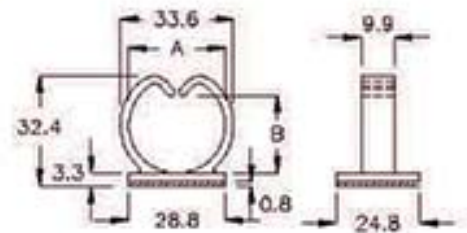
PART NO	A	B	C	D	PACKAGE
★ PAC-40GS	22.0	34.7	26.0	40.3	100
★ PAC-50M	27.0	44.7	31.0	50.3	

6-18-3



隔離束線座 WIRE SADDLE

MATERIAL: NYLON 66(UL)
 FLAME CLASS: 94V-2
 COLOR: NATURAL
 ADHESIVE TAPE: 3M



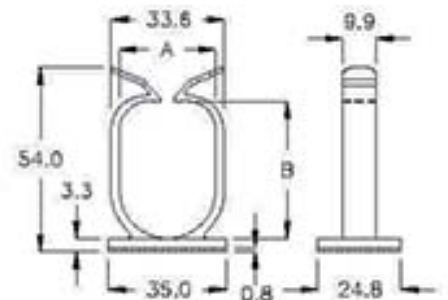
PART NO	A	B	PACKAGE
CZK-28F	28.6	22.8	200

6-18-4



隔離束線座 WIRE SADDLE

MATERIAL: NYLON 66(UL)
 FLAME CLASS: 94V-2
 COLOR: NATURAL
 ADHESIVE TAPE: 3M



PART NO	A	B	PACKAGE
CZW-28JK	28.6	40.5	100

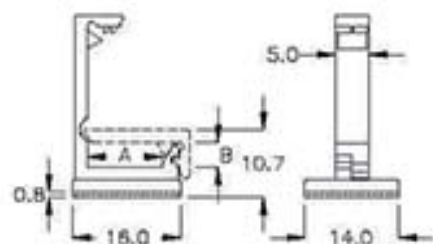


隔離束線座 WIRE SADDLE

MATERIAL: NYLON 66(UL)
 FLAME CLASS: 94V-2
 COLOR: BLACK
 ADHESIVE TAPE: 3M

Include Lock Function

PART NO	A	B	PACKAGE
PAK11-4A	11.1	4.4	200

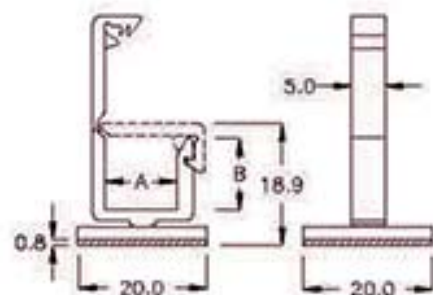


隔離束線座 WIRE SADDLE

MATERIAL: NYLON 66(UL)
 FLAME CLASS: 94V-2
 COLOR: NATURAL
 ADHESIVE TAPE: 3M

WITH LOCK FEATURE

PART NO	A	B	PACKAGE
PAD11-11	11.1	11.4	200

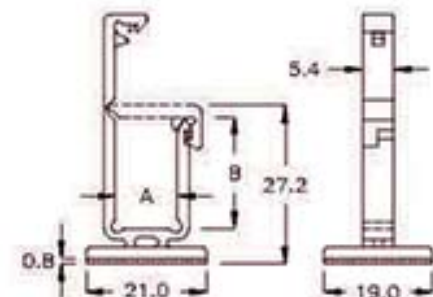


隔離束線座 WIRE SADDLE

MATERIAL: NYLON 66(UL)
 FLAME CLASS: 94V-2
 COLOR: NATURAL
 ADHESIVE TAPE: 3M

WITH LOCK FEATURE

PART NO	A	B	PACKAGE
PAD10-19	11.0	19.3	200

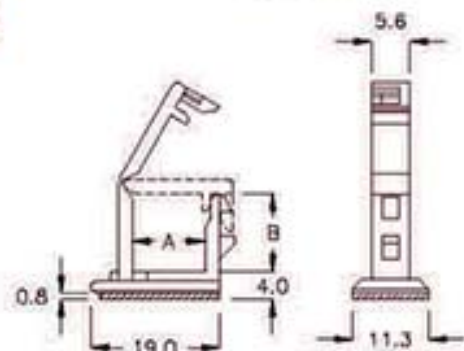


隔離束線座 WIRE SADDLE

MATERIAL: NYLON 66(UL)
 FLAME CLASS: 94V-2
 COLOR: NATURAL
 ADHESIVE TAPE: 3M

WITH LOCK FEATURE

PART NO	A	B	PACKAGE
CKM-01	10.8	12.0	200



6-20-1

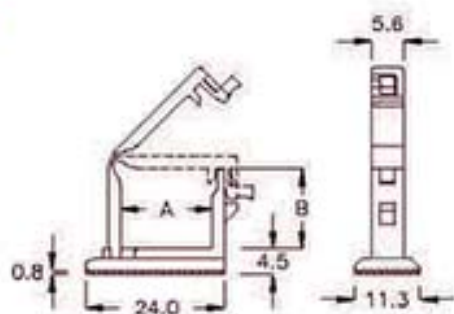


隔離束線座 WIRE SADDLE

MATERIAL: NYLON 66(UL)
FLAME CLASS: 94V-2
COLOR: NATURAL
ADHESIVE TAPE: 3M

WITH LOCK FEATURE

PART NO.	A	B	PACKAGE
CKZ-1B	16.0	14.0	200



6-20-2

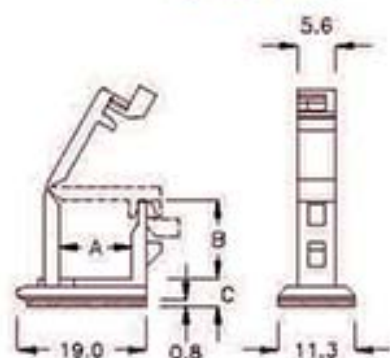


隔離束線座 WIRE SADDLE

MATERIAL: NYLON 66(UL)
FLAME CLASS: 94V-2
COLOR: NATURAL
ADHESIVE TAPE: 3M

WITH LOCK FEATURE

PART NO.	A	B	C	PACKAGE
CKM-02	10.5	11.3	4.0	200
CKM-03	11.1	15.0	4.0	



6-20-3

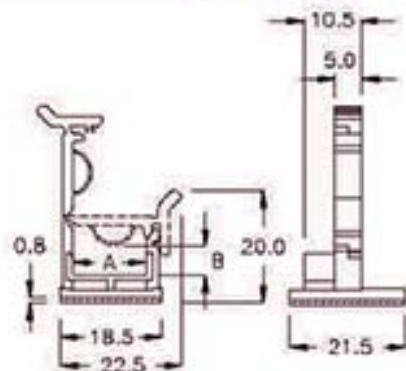


隔離束線座 WIRE SADDLE

MATERIAL: NYLON 66(UL)
FLAME CLASS: 94V-2
COLOR: NATURAL
ADHESIVE TAPE: 3M

WITH LOCK FEATURE

PART NO.	A	B	PACKAGE
CKW-01	13.6	5.3	200



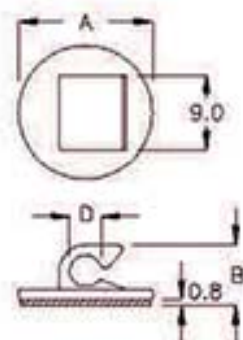
6-20-4



電線固定座 WIRE MOUNT

MATERIAL: NYLON 66(UL)
FLAME CLASS: 94V-2
COLOR: NATURAL
ADHESIVE TAPE: 3M

PART NO.	A	B	D	PACKAGE
FRAC-3K	φ16.0	7.3	φ3.8	500



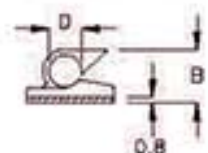
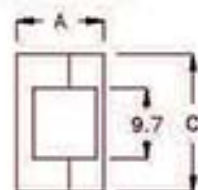
6-21-1



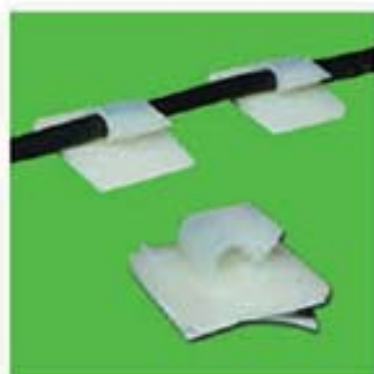
電線固定座 WIRE MOUNT

MATERIAL: NYLON 66(UL)
FLAME CLASS: 94V-2
CABLE DIAMETER: $\Phi 4 \sim \Phi 5$
COLOR: NATURAL
ADHESIVE TAPE: 3M

PART NO.	A	B	C	D	PACKAGE
FW-1P	12.0	7.3	19.0	$\Phi 4.5$	500



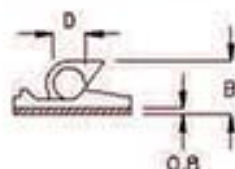
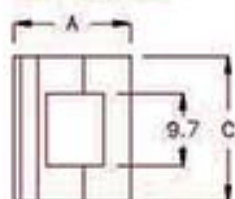
6-21-2



電線固定座 WIRE MOUNT

MATERIAL: NYLON 66(UL)
FLAME CLASS: 94V-2
CABLE DIAMETER: $\Phi 4 \sim \Phi 5$
COLOR: NATURAL
ADHESIVE TAPE: 3M

PART NO.	A	B	C	D	PACKAGE
FW-1	16.0	7.3	16.9	$\Phi 4.4$	500



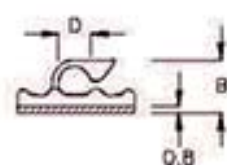
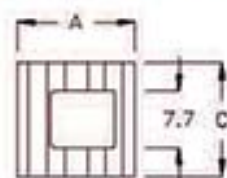
6-21-3



電線固定座 WIRE MOUNT

MATERIAL: NYLON 66(UL)
FLAME CLASS: 94V-2
CABLE DIAMETER: $\Phi 4 \sim \Phi 5$
COLOR: BLACK
ADHESIVE TAPE: 3M

PART NO.	A	B	C	D	PACKAGE
FW-1QH	16.0	7.2	15.6	$\Phi 4.4$	500



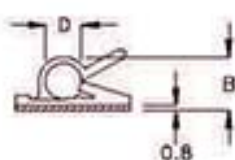
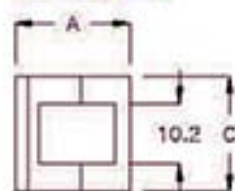
6-21-4



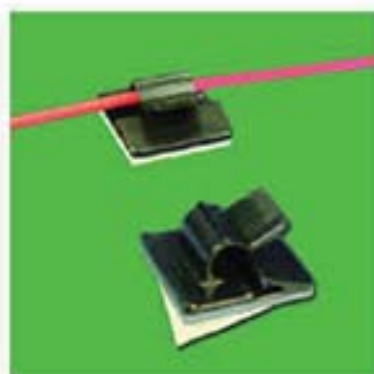
電線固定座 WIRE MOUNT

MATERIAL: NYLON 66(UL)
FLAME CLASS: 94V-2
COLOR: NATURAL
ADHESIVE TAPE: 3M

PART NO.	A	B	C	D	CABLE DIM	PACKAGE
FW-1A	19.0	8.8	20.2		$\Phi 6.0$	500
FW-1AM	19.0	8.8	19.0		$\Phi 5.2$	



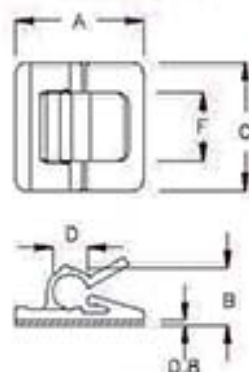
6-22-1



電線固定座 WIRE MOUNT

MATERIAL: NYLON 66(UL)
FLAME CLASS: 94V-2
COLOR: BLACK
ADHESIVE TAPE: 3M

PART NO.	A	B	C	D	F	PACKAGE
FW-1AS	19.0	8.5	19.0	φ5.2	10.2	500



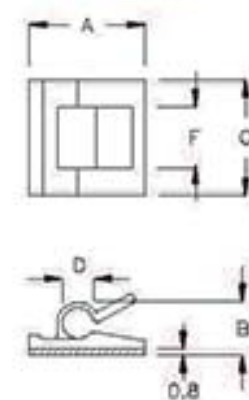
6-22-2



電線固定座 WIRE MOUNT

MATERIAL: NYLON 66(UL)
FLAME CLASS: 94V-2
COLOR: NATURAL
ADHESIVE TAPE: 3M

PART NO.	A	B	C	D	F	PACKAGE
FW-1AK	16.0	7.3	19.0	φ4.0	10.2	500
FW-1AP	16.0	6.4	16.0	φ3.0	8.5	
FW-1AQ	16.0	7.4	19.0	φ4.0	10.2	
FW-1AR	16.0	7.4	19.0	φ3.6	10.2	
FW-1AT	16.0	7.4	19.0	φ4.2	10.2	



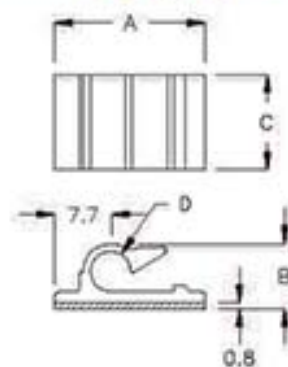
6-22-3



電線固定座 WIRE MOUNT

MATERIAL: NYLON 66(UL)
FLAME CLASS: 94V-2
COLOR: NATURAL
ADHESIVE TAPE: 3M

PART NO.	A	B	C	D	PACKAGE
FW-1B	20.7	9.0	13.0	φ5.6	500
FW-1C	20.7	7.5	10.0	φ3.6	



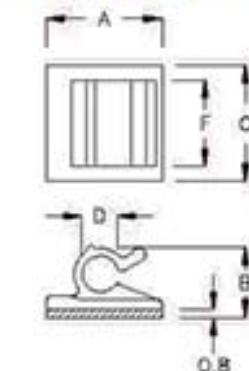
6-22-4



電線固定座 WIRE MOUNT

MATERIAL: NYLON 66(UL)
FLAME CLASS: 94V-2
COLOR: NATURAL
ADHESIVE TAPE: 3M

PART NO.	A	B	C	D	F	PACKAGE
FW-1AJ	12.0	7.3	12.0	φ3.8	9.0	500



PINGOOD

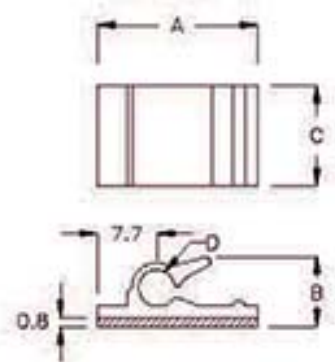
6-23-1



電線固定座 WIRE MOUNT

MATERIAL: NYLON 66(UL)
FLAME CLASS: 94V-2
COLOR: NATURAL
ADHESIVE TAPE: 3M

PART NO.	A	B	C	D	PACKAGE
FW-2F	20.8	8.6	13.0	φ4.7	500



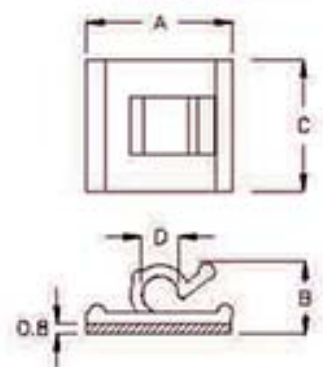
6-23-2



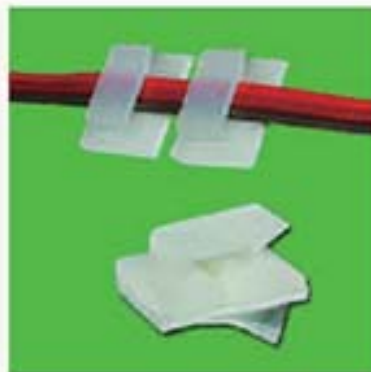
電線固定座 WIRE MOUNT

MATERIAL: NYLON 66(UL)
FLAME CLASS: 94V-2
COLOR: NATURAL
ADHESIVE TAPE: 3M

PART NO.	A	B	C	D	PACKAGE
FW-01H	13.0	6.0	12.0	φ3.3	1000



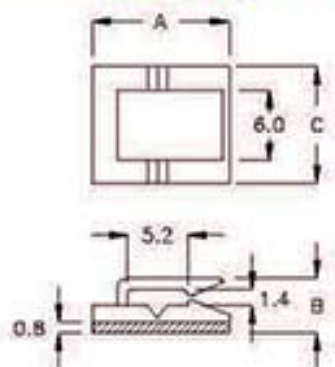
6-23-3



電線固定座 WIRE MOUNT

MATERIAL: NYLON 66(UL)
FLAME CLASS: 94V-2
COLOR: NATURAL
ADHESIVE TAPE: 3M
SUIT FOR ARCUATE SURFACE

PART NO.	A	B	C	PACKAGE
FW-01F	12.0	4.6	10.0	1000



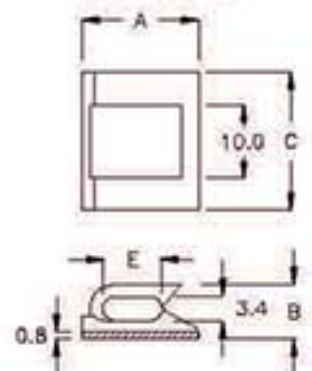
6-23-4



電線固定座 WIRE MOUNT

MATERIAL: NYLON 66(UL)
FLAME CLASS: 94V-2
COLOR: NATURAL
ADHESIVE TAPE: 3M

PART NO.	A	B	C	E	PACKAGE
FW-2	16.0	7.2	19.0	8.3	500
FW-02P	14.0	7.2	16.0	6.3	
FW-020	18.0	7.2	19.0	10.2	



PINGOOD

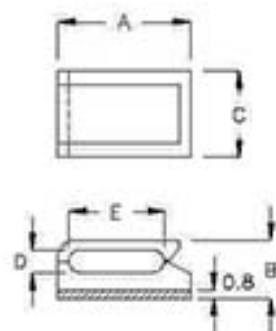
6-24-1



電線固定座 WIRE MOUNT

MATERIAL: NYLON 66(UL)
FLAME CLASS: 94V-2
COLOR: NATURAL
ADHESIVE TAPE: 3M

PART NO	A	B	C	D	E	PACKAGE
FW-2AG	12.7	6.4	12.7	2.8	8.4	500
FW-2JG	8.0	7.6	12.0	4.4	5.1	
FW-2M	14.5	6.4	9.5	2.5	10.3	
FW-2MA	16.7	6.6	13.0	3.1	11.6	
FW-2MP	12.0	6.3	9.5	2.5	6.3	
FW-2MQ	10.0	5.9	9.5	2.5	4.3	
FW-2S	12.5	6.0	9.5	2.5	8.4	
FW-2SP	12.7	6.3	12.5	2.5	8.2	
FW-6NJ	6.5	4.5	12.0	1.4	4.0	1000



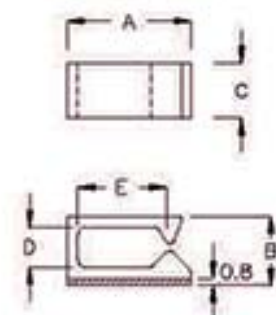
6-24-2



電線固定座 WIRE MOUNT

MATERIAL: NYLON 66(UL)
FLAME CLASS: 94V-2
COLOR: NATURAL
ADHESIVE TAPE: 3M

PART NO	A	B	C	D	E	PACKAGE
FW-2SC	9.0	5.3	4.0	2.9	6.4	1000



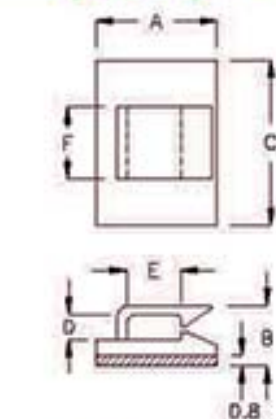
6-24-3



電線固定座 WIRE MOUNT

MATERIAL: NYLON 66(UL)
FLAME CLASS: 94V-2
COLOR: NATURAL
ADHESIVE TAPE: 3M

PART NO	A	B	C	D	E	F	PACKAGE
FW-019	20.0	6.7	14.0	3.2	13.2	10.0	500
FW-19A	19.9	6.1	11.9	2.6	13.2	10.0	
FW-02N	9.8	4.5	9.5	1.4	6.5	6.4	1000
FW-1M	12.3	6.4	15.9	3.2	5.8	7.0	
FW-1Q	11.7	5.2	10.0	2.0	5.2	6.0	
FW-1S	11.7	5.6	15.9	2.5	5.2	7.0	



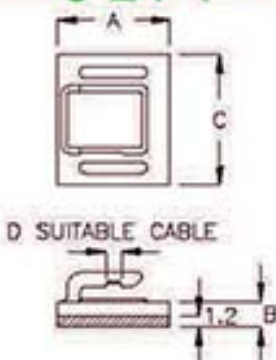
6-24-4



電線固定座 WIRE MOUNT

MATERIAL: ABS(UL)
FLAME CLASS: 94HB
COLOR: BLACK
ADHESIVE TAPE: 3M

PART NO	A	B	C	D	PACKAGE
FYS-4HJ	12.0	2.7	14.0	∅2.1	500



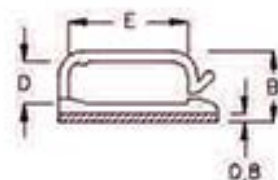
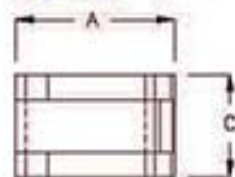
6-25-1



電線固定座 WIRE MOUNT

MATERIAL: NYLON 66(UL)
 FLAME CLASS: 94V-2
 COLOR: NATURAL
 ADHESIVE TAPE: 3M

PART NO	A	B	C	D	E	PACKAGE
FW-2DT	29.4	12.2	19.0	7.8	22.0	200
FW-22AD	22.7	9.5	20.0	6.0	18.0	



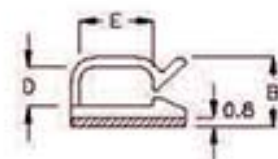
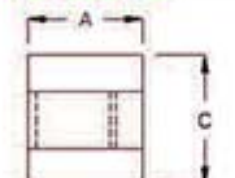
6-25-2



電線固定座 WIRE MOUNT

MATERIAL: NYLON 66(UL)
 FLAME CLASS: 94V-2
 COLOR: NATURAL
 ADHESIVE TAPE: 3M

PART NO	A	B	C	D	E	PACKAGE
FW-1D	13.4	8.1	16.0	4.7	8.0	500
FW-1DS	11.4	8.1	16.0	4.7	6.0	
FW-1DL	15.4	8.1	16.0	4.7	10.0	
FW-3D	14.4	8.3	16.0	4.8	9.0	
FW-3DK	13.0	8.7	14.0	5.2	9.0	
FW-4D	14.4	8.7	16.0	5.2	8.2	
FW-5D	16.9	10.2	16.0	6.7	10.2	200
FW-33H	33.0	10.7	20.0	6.0	26.8	



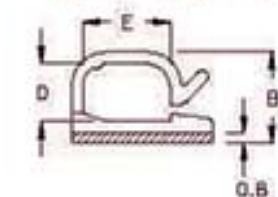
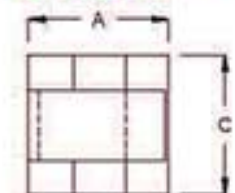
6-25-3



電線固定座 WIRE MOUNT

MATERIAL: NYLON 66(UL)
 FLAME CLASS: 94V-2
 COLOR: NATURAL
 ADHESIVE TAPE: 3M

PART NO	A	B	C	D	E	PACKAGE
FW-2D	19.0	11.8	19.0	7.9	11.8	500
FW-2DM	16.0	9.5	19.0	6.0	9.0	
FW-2DP	19.0	12.3	19.0	7.9	11.7	
FW-2DS	14.9	9.5	19.0	6.0	7.9	
FW-2RN	19.25	12.15	15.5	7.9	11.7	
FW-6D	20.9	12.1	19.0	8.3	13.7	



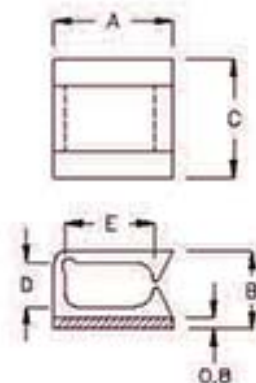
6-26-1



電線固定座 WIRE MOUNT

MATERIAL: NYLON 66(UL)
FLAME CLASS: 94V-2
COLOR: NATURAL
ADHESIVE TAPE: 3M

PART NO	A	B	C	D	E	PACKAGE
FW-2L	16.2	9.9	16.0	6.0	11.8	500
FW-2LP	14.2	9.8	16.0	6.0	7.5	
FW-2LQ	16.2	9.8	16.0	6.0	9.5	
FW-2K	14.0	7.2	12.1	3.6	10.2	
FW-2KP	12.0	7.0	12.1	3.6	6.2	
FW-2KQ	13.0	7.1	12.1	3.6	8.2	
FW-2HQ	20.0	10.1	16.0	6.6	15.8	



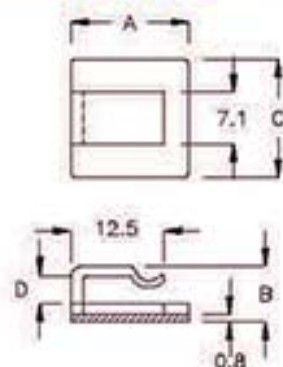
6-26-2



電線固定座 WIRE MOUNT

MATERIAL: NYLON 66(UL)
FLAME CLASS: 94V-2
COLOR: NATURAL
ADHESIVE TAPE: 3M

PART NO	A	B	C	D	PACKAGE
FDW-1	16.0	7.3	16.0	3.7	500



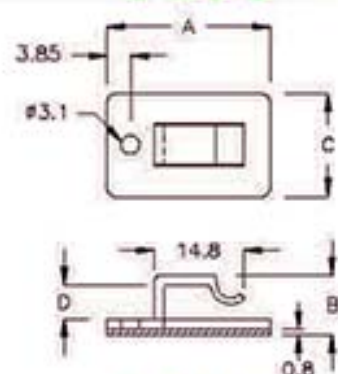
6-26-3



電線固定座 WIRE MOUNT

MATERIAL: NYLON 66(UL)
FLAME CLASS: 94V-2
COLOR: NATURAL
ADHESIVE TAPE: 3M
ALSO CAN BE FASTENED WITH M3 SCREW

PART NO	A	B	C	D	PACKAGE
FDW-3	27.0	9.3	17.0	5.7	500



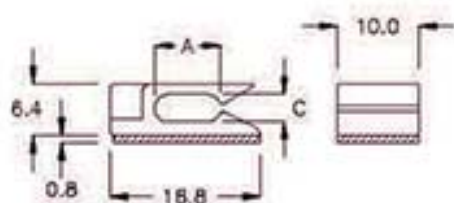
6-26-4

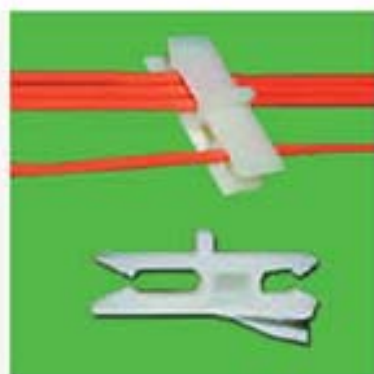


電線固定座 WIRE MOUNT

MATERIAL: NYLON 66(UL)
FLAME CLASS: 94V-2
COLOR: NATURAL
ADHESIVE TAPE: 3M

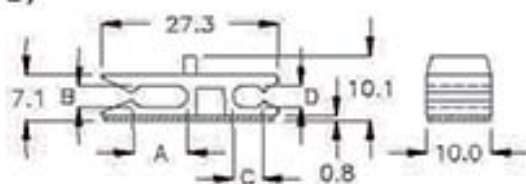
PART NO	A	C	PACKAGE
CU-01A	8.2	3.3	1000





電線固定座 WIRE MOUNT

MATERIAL: NYLON 66(UL)
FLAME CLASS: 94V-2
COLOR: NATURAL
ADHESIVE TAPE: 3M

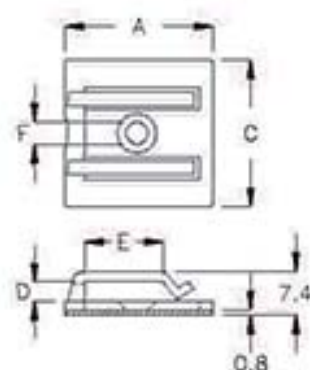


PART NO	A	B	C	D	PACKAGE
CU-01D	8.6	3.3	4.9	3.3	1000



電線固定座 WIRE MOUNT

MATERIAL: NYLON 66(UL)
FLAME CLASS: 94V-2
COLOR: NATURAL
ADHESIVE TAPE: 3M
ALSO CAN BE FASTENED WITH M4 SCREW

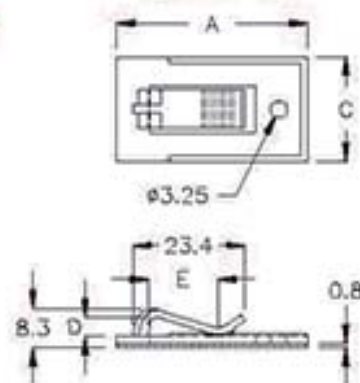


PART NO	A	C	D	E	F	PACKAGE
FSC-01	25.7	25.4	3.3	13.8	φ4.7	500
FSC-02	25.4	25.4	3.05	12.5	φ5.0	



排線固定座 FLAT CABLE CLAMP

MATERIAL: NYLON 66(UL)
FLAME CLASS: 94V-2
COLOR: BLACK
ADHESIVE TAPE: 3M
ALSO CAN BE FASTENED WITH M3 SCREW

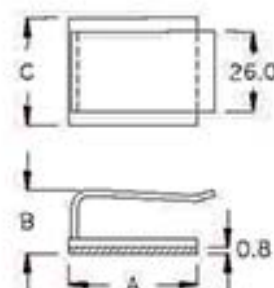


PART NO	A	C	D	E	PACKAGE
FDX-40	40.0	22.0	4.0	14.5	500



電線固定座 WIRE MOUNT

MATERIAL: NYLON 66(UL)
FLAME CLASS: 94V-2
COLOR: NATURAL
ADHESIVE TAPE: 3M



PART NO	A	B	C	PACKAGE
FDM-42	42.0	19.1	35.0	100

6-28-1

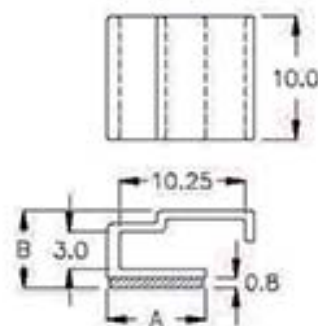


固定座 MOUNT

MATERIAL: NYLON 66(UL)
FLAME CLASS: 94V-2
COLOR: NATURAL
ADHESIVE TAPE: 3M



PART NO	A	B	PACKAGE
★ FSL-12GK	8.0	6.3	1000



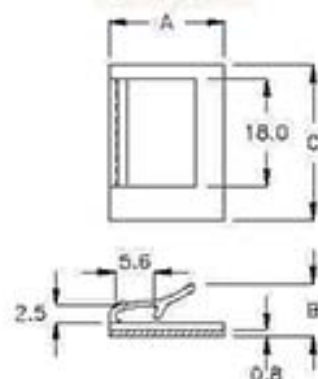
6-28-2



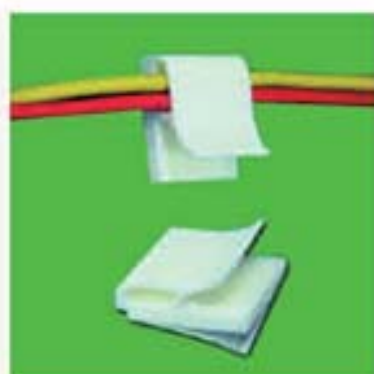
電線固定座 WIRE MOUNT

MATERIAL: NYLON 66(UL)
FLAME CLASS: 94V-2
COLOR: NATURAL
ADHESIVE TAPE: 3M

PART NO	A	B	C	PACKAGE
FDK-25	17.0	7.65	25.0	500



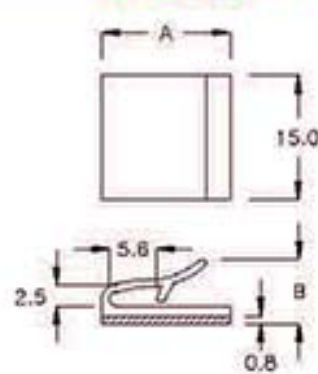
6-28-3



電線固定座 WIRE MOUNT

MATERIAL: NYLON 66(UL)
FLAME CLASS: 94V-2
COLOR: NATURAL
ADHESIVE TAPE: 3M

PART NO	A	B	PACKAGE
FW-11	15.5	7.6	500



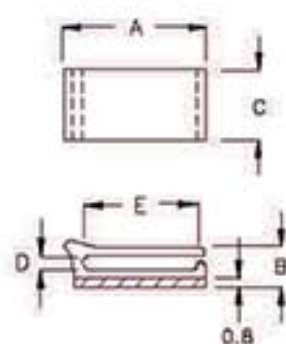
6-28-4



電線固定座 WIRE MOUNT

MATERIAL: NYLON 66(UL)
FLAME CLASS: 94V-2
COLOR: NATURAL
ADHESIVE TAPE: 3M

PART NO	A	B	C	D	E	PACKAGE
FYK-16A	16.15	4.3	8.0	1.5	13.0	500



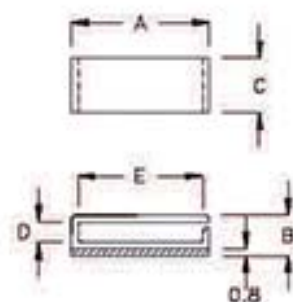
6-29-1



電線固定座 WIRE MOUNT

MATERIAL: NYLON 66(UL)
 FLAME CLASS: 94V-2
 COLOR: NATURAL
 ADHESIVE TAPE: 3M

PART NO	A	B	C	D	E	PACKAGE
FYM-20M	20.5	5.8	8.0	3.0	18.5	500
FYM-21	21.0	4.3	8.0	1.5	19.0	



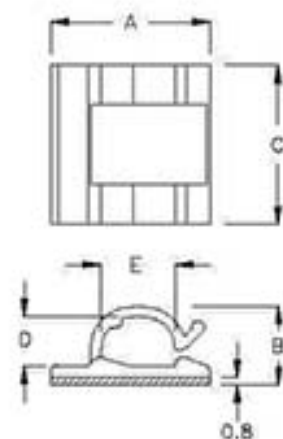
6-29-2



電線固定座 WIRE MOUNT

MATERIAL: NYLON 66(UL)
 FLAME CLASS: 94V-2
 COLOR: NATURAL
 ADHESIVE TAPE: 3M

PART NO	A	B	C	D	E	PACKAGE
FW-2DN	25.4	12.2	15.6	7.9	8.0	500
FW-2DA	25.4	12.2	15.6	7.9	11.7	
FW-2DC	25.4	15.5	15.9	11.1	11.7	
FW-2DL	25.4	12.1	25.4	7.9	11.8	
FW-2DW	25.4	12.1	25.4	7.9	15.0	



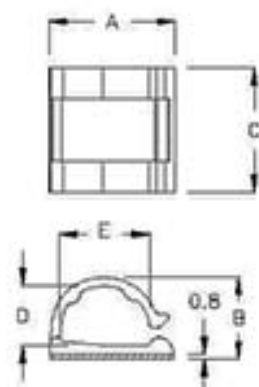
6-29-3



電線固定座 WIRE MOUNT

MATERIAL: NYLON 66(UL)
 FLAME CLASS: 94V-2
 COLOR: NATURAL
 ADHESIVE TAPE: 3M

PART NO	A	B	C	D	E	PACKAGE
FW-2DR	25.4	16.3	25.4	11.8	15.0	200
FW-2DK	25.4	16.3	25.4	11.8	18.4	
FW-2DY	40.0	26.2	40.0	20.2	20.0	50
FW-2DJ	40.0	26.2	40.0	20.2	26.8	



PINGOOD

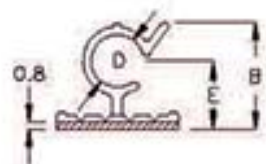
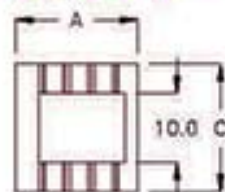
6-30-1



電線固定座 WIRE MOUNT

MATERIAL: NYLON 66(UL)
 FLAME CLASS: 94V-2
 COLOR: NATURAL
 ADHESIVE TAPE: 3M
 SUIT FOR ARCUATE SURFACE

PART NO	A	B	C	D	E	PACKAGE
FW-1CH	18.2	13.2	19.0	φ5.0	8.4	500
FW-2CH	18.2	15.2	19.0	φ7.8	9.9	
FW-3CH	18.2	13.2	19.0	φ6.7	8.4	
FW-4CH	23.0	15.3	15.0	φ7.8	9.9	



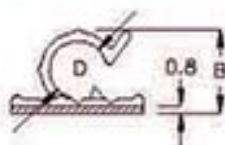
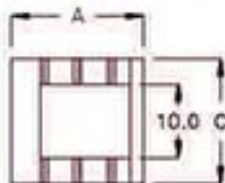
6-30-2



電線固定座 WIRE MOUNT

MATERIAL: NYLON 66(UL)
 FLAME CLASS: 94V-2
 CABLE DIAMETER: φ7.8
 COLOR: NATURAL
 ADHESIVE TAPE: 3M
 SUIT FOR ARCUATE SURFACE

PART NO	A	B	C	D	PACKAGE
FW-2C	18.2	11.0	19.0	φ7.8	500



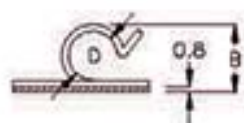
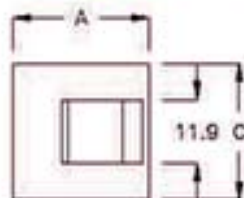
6-30-3



電線固定座 WIRE MOUNT

MATERIAL: NYLON 66(UL)
 FLAME CLASS: 94V-2
 CABLE DIAMETER: φ9.1
 COLOR: NATURAL
 ADHESIVE TAPE: 3M

PART NO	A	B	C	D	PACKAGE
FW-20Q	25.1	12.6	25.1	φ9.1	500



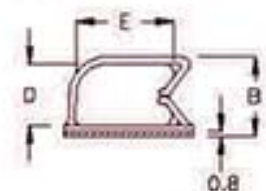
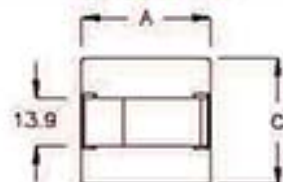
6-30-4



電線固定座 WIRE MOUNT

MATERIAL: NYLON 66(UL)
 FLAME CLASS: 94V-2
 COLOR: NATURAL
 ADHESIVE TAPE: 3M

PART NO	A	B	C	D	E	PACKAGE
FW-6F	38.0	22.8	37.2	18.0	28.6	100



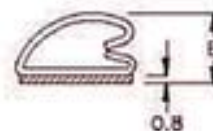
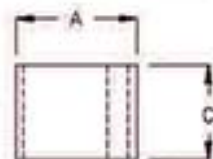
6-31-1



電線固定座 WIRE MOUNT

MATERIAL: NYLON 66(UL)
FLAME CLASS: 94V-2
COLOR: NATURAL
ADHESIVE TAPE: 3M

PART NO	A	B	C	PACKAGE
FW-7	19.2	11.4	20.0	500
FW-7S	19.2	11.4	15.0	



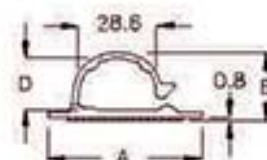
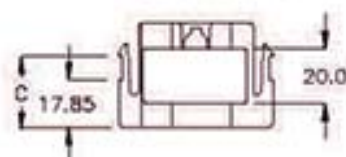
6-31-2



電線固定座 WIRE MOUNT

MATERIAL: NYLON 66(UL)
FLAME CLASS: 94V-2
COLOR: BLACK
ADHESIVE TAPE: 3M

PART NO	A	B	C	D	PACKAGE
FWB-12	57.3	24.8	28.5	19.1	100



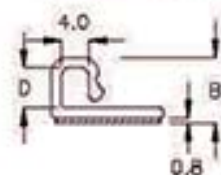
6-31-3



電線固定座 WIRE MOUNT

MATERIAL: NYLON 66(UL)
FLAME CLASS: 94V-2
COLOR: NATURAL
ADHESIVE TAPE: 3M

PART NO	A	B	C	D	PACKAGE
FSD-6A	16.5	9.8	32.0	6.0	500



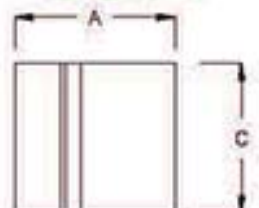
6-31-4



電線固定座 WIRE MOUNT

MATERIAL: NYLON 66(UL)
FLAME CLASS: 94V-2
COLOR: NATURAL
ADHESIVE TAPE: 3M

PART NO	A	C	B	PACKAGE
FWG-3B	24.7	37.5	15.8	100



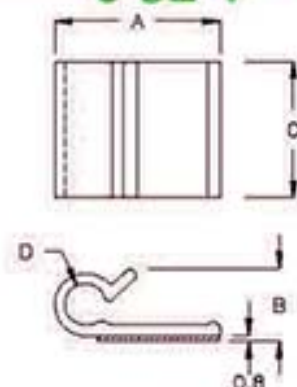


電線固定座 WIRE MOUNT

MATERIAL: NYLON 66(UL)
FLAME CLASS: 94V-2
COLOR: NATURAL
ADHESIVE TAPE: 3M

PART NO	A	B	C	D	PACKAGE
FWG-10	13.4	5.95	10.0	φ2.7	1000
FWG-12	14.5	6.75	12.0	φ3.7	200

6-32-1



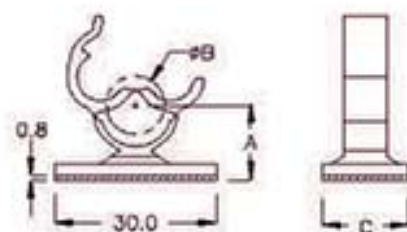
電線固定座 WIRE MOUNT

MATERIAL: NYLON 66(UL)
FLAME CLASS: 94V-2
COLOR: NATURAL
ADHESIVE TAPE: 3M

WITH LOCK FEATURE

PART NO	A	B CLOSE DIA	C	PACKAGE
FW-CD30	13.8	φ8.6	16.0	200

6-32-2

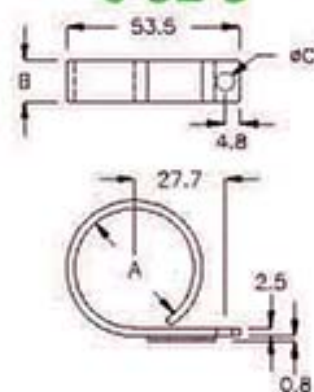


電線固定扣 CABLE CLAMP

MATERIAL: NYLON 66(UL)
FLAME CLASS: 94V-2
COLOR: NATURAL
ADHESIVE TAPE: 3M
ALSO CAN BE FASTENED
WITH M4 SCREW

PART NO	A	B	C	PACKAGE
PCX-39M	φ36.9	12.6	φ4.9	100

6-32-3



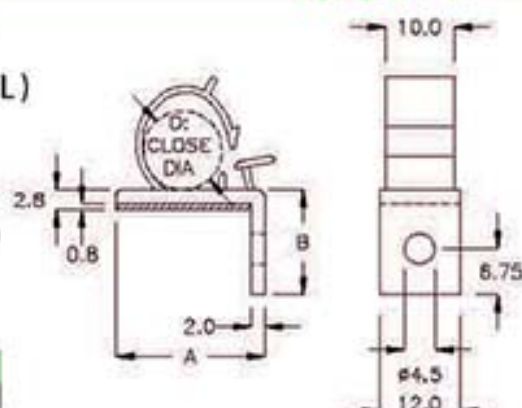
電線固定座 TIE MOUNT

MATERIAL: NYLON 66(UL)
FLAME CLASS: 94V-2
COLOR: NATURAL
ADHESIVE TAPE: 3M
ALSO CAN BE FASTENED
WITH M4 SCREW

WITH LOCK FEATURE

PART NO	A	B	D	PACKAGE
LFW-3	22.0	15.5	φ11.7	200

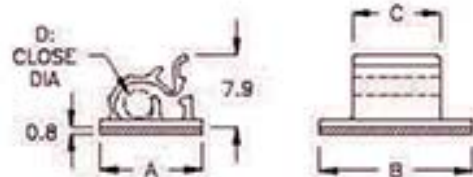
6-32-4





電線固定座 TIE MOUNT

MATERIAL: NYLON 66(UL)
FLAME CLASS: 94V-2
COLOR: NATURAL
ADHESIVE TAPE: 3M



WITH LOCK FEATURE

PART NO	A	B	C	D	PACKAGE
FWZ-3A	11.3	18.5	11.2	φ3.4	500



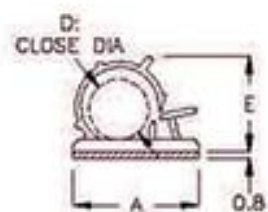
電線固定座 TIE MOUNT

MATERIAL: NYLON 66(UL)
FLAME CLASS: 94V-2
COLOR: NATURAL
ADHESIVE TAPE: 3M



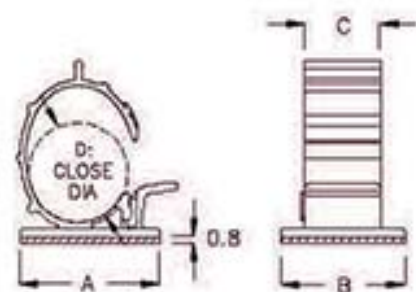
WITH LOCK FEATURE

PART NO	A	B	C	D	E	PACKAGE
FW-04S	22.0	18.0	10.0	φ11.7	18.6	200
FW-3	25.0	19.6	12.0	φ9.0	16.7	
FW-03A	19.0	19.0	9.0	φ6.8	13.6	
FW-3S	21.0	19.0	9.0	φ7.8	13.1	
FW-3L	21.6	16.8	12.0	φ10.4	15.8	
FW-4	29.8	19.8	14.7	φ12.6	27.2	100
FW-04L	33.5	24.8	16.2	φ19.0	31.0	



電線固定座 TIE MOUNT

MATERIAL: NYLON 66(UL)
FLAME CLASS: 94V-2
COLOR: NATURAL
ADHESIVE TAPE: 3M



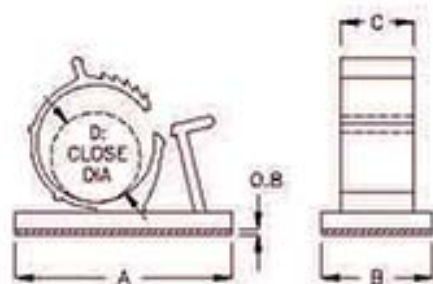
WITH LOCK FEATURE

PART NO	A	B	C	D	PACKAGE
FDD-2B	28.0	25.0	15.0	φ19.5~φ20.0	100



電線固定座 TIE MOUNT

MATERIAL: NYLON 66(UL)
 FLAME CLASS: 94V-2
 COLOR: NATURAL
 ADHESIVE TAPE: 3M



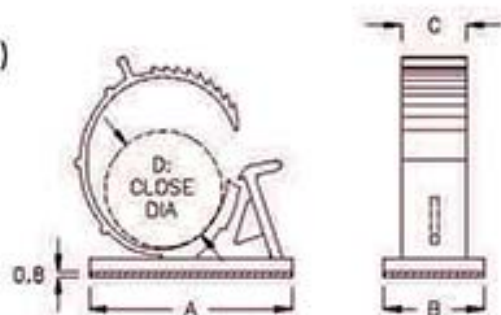
WITH LOCK FEATURE

PART NO	A	B	C	D	PACKAGE
FW-33	30.0	16.0	12.0	φ10.5~φ14.5	200
FW-33A	25.5	16.0	12.0	φ10.5~φ14.5	
FW-35	38.2	20.0	12.9	φ14.5~φ18.5	100
FW-39	38.8	20.0	12.9	φ18.5~φ22.5	



電線固定座 TIE MOUNT

MATERIAL: NYLON 66(UL)
 FLAME CLASS: 94V-2
 COLOR: NATURAL
 ADHESIVE TAPE: 3M



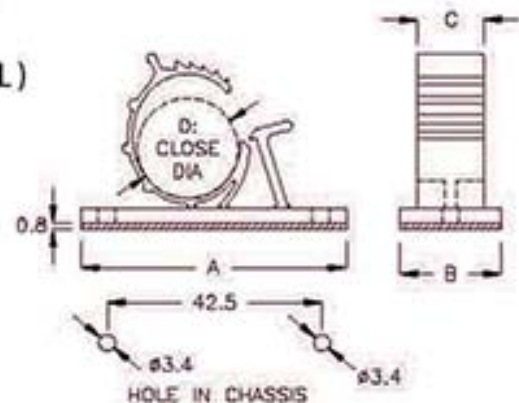
WITH LOCK FEATURE

PART NO	A	B	C	D	PACKAGE
FW-35C	35.0	19.0	12.9	φ27.0~φ29.0	100
FW-40	40.0	20.0	12.9	φ22.5~φ26.5	



電線固定座 TIE MOUNT

MATERIAL: NYLON 66(UL)
 FLAME CLASS: 94V-2
 COLOR: NATURAL
 ADHESIVE TAPE: 3M
 ALSO CAN BE FASTENED WITH M3 SCREW



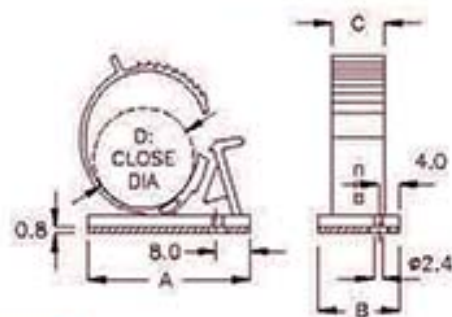
WITH LOCK FEATURE

PART NO	A	B	C	D	PACKAGE
FWP-33	52.5	20.0	13.0	φ10.5~13.5	200
FWP-52	52.5	20.0	13.0	φ14.5~17.5	100



電線固定座 TIE MOUNT

MATERIAL: NYLON 66(UL)
 FLAME CLASS: 94V-2
 COLOR: NATURAL
 ADHESIVE TAPE: 3M
 ALSO CAN BE FASTENED
 WITH M3 TAPPING SCREW



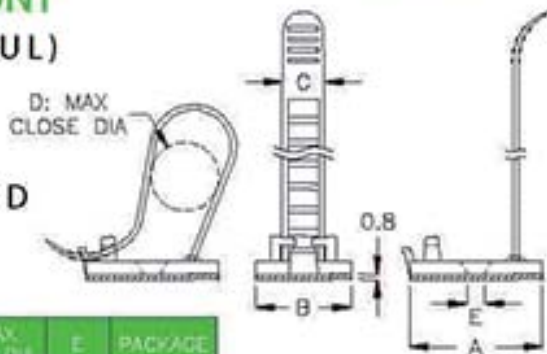
WITH LOCK FEATURE

PART NO	A	B	C	D	PACKAGE
FWP-40	39.9	19.9	12.9	$\phi 22.5 \sim \phi 26.5$	100



電線固定座 WIRE MOUNT

MATERIAL: NYLON 66(UL)
 FLAME CLASS: 94V-2
 COLOR: NATURAL
 ADHESIVE TAPE: 3M
 ALSO CAN BE FASTENED
 WITH M3 SCREW

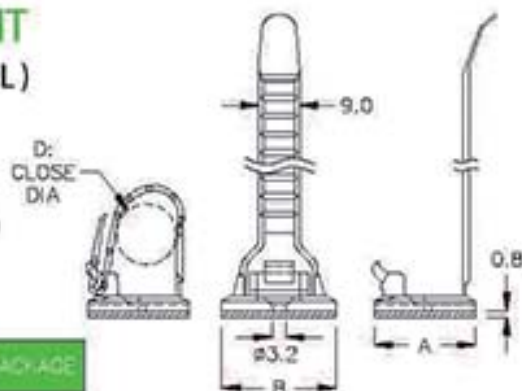


PART NO	A	B	C	D, MAX CLOSE DIA	E	PACKAGE
FWA-12	20.0	15.0	5.0	$\phi 12.0$	$\phi 3.4$	200
FWA-13	25.0	18.0	7.9	$\phi 13.0$	$\phi 3.5$	
FWA-17	25.0	18.0	7.9	$\phi 17.0$	$\phi 3.5$	
FWA-19	20.0	15.0	5.0	$\phi 19.5$	$\phi 3.4$	
FWA-21	25.0	18.0	8.1	$\phi 18.5$	$\phi 3.5$	
FWA-22	30.5	21.0	12.0	$\phi 22.0$	$\phi 3.5$	100
FWA-22C	31.8	21.0	12.0	$\phi 22.0$	$\phi 3.6$	
FWA-26	30.5	21.0	12.0	$\phi 26.0$	$\phi 3.5$	
★ FWA-32K	35.0	25.0	14.0	$\phi 32.5$	$\phi 3.2$	



電線固定座 WIRE MOUNT

MATERIAL: NYLON 66(UL)
 FLAME CLASS: 94V-2
 COLOR: BLACK
 ADHESIVE TAPE: 3M
 ALSO CAN BE FASTENED
 WITH M3 SCREW



PART NO	A	B	D CLOSE DIA	PACKAGE
FWX-08	22.0	25.0	$\phi 8.0 \sim \phi 10.0$	200
FWX-10	22.0	25.0	$\phi 10.0 \sim \phi 12.0$	
FWX-15	22.0	25.0	$\phi 17.0 \sim \phi 18.0$	
FWX-15A	22.0	25.0	$\phi 18.5 \sim \phi 19.5$	

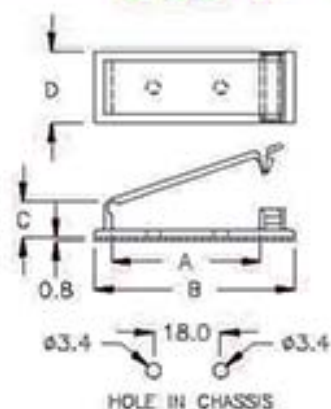
6-36-1



電線固定板 FLAT CABLE CLAMP

MATERIAL: NYLON 66(UL)
 FLAME CLASS: 94V-2
 COLOR: BLACK
 ADHESIVE TAPE: 3M
 ALSO CAN BE FASTENED
 WITH M3 SCREW

PART NO	A	B	C	D	PACKAGE
FCW-40GQ	40.0	53.5	11.2	19.3	100



6-36-2

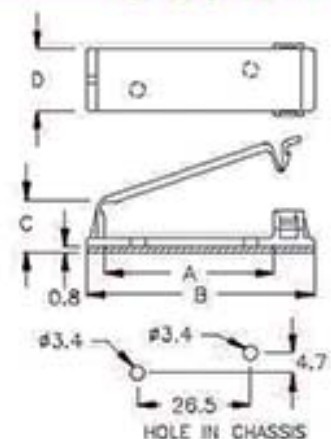


排線固定板 FLAT CABLE CLAMP

MATERIAL: NYLON 66(UL)
 FLAME CLASS: 94V-2
 COLOR: NATURAL
 ADHESIVE TAPE: 3M
 ALSO CAN BE FASTENED
 WITH M3 SCREW

WITH LOCK FEATURE

PART NO	A	B	C	D	PACKAGE
FCW-40MH	39.7	53.5	11.7	14.7	100



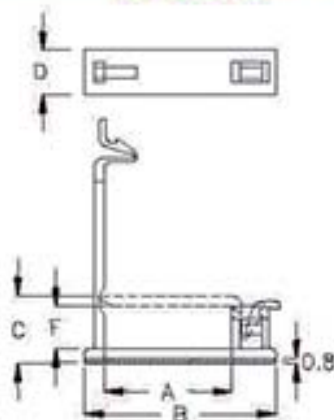
6-36-3



電線固定板 CABLE CLAMP

MATERIAL: NYLON 66(UL)
 FLAME CLASS: 94V-2
 COLOR: NATURAL, BLACK
 ADHESIVE TAPE: 3M

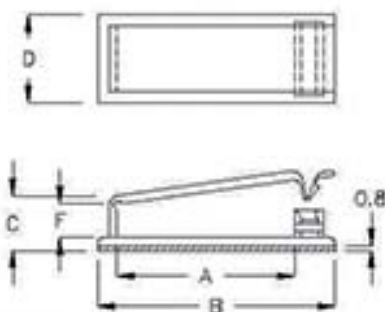
PART NO	A	B	C	D	F	PACKAGE
FCW-23GK	23.0	34.5	12.0	8.0	7.6	200





電線固定板 CABLE CLAMP

MATERIAL: NYLON 66(UL)
 FLAME CLASS: 94V-2
 COLOR: NATURAL
 ADHESIVE TAPE: 3M

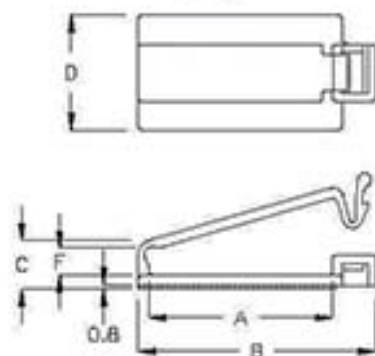


PART NO	A	B	C	D	F	PACKAGE
FCW-4CK	4.7	12.0	8.6	9.5	5.0	1000
FCW-11JM	11.0	19.0	15.6	12.0	11.8	200
FCW-13RT	13.7	23.0	21.8	20.0	17.0	100
FCW-16A	16.7	26.0	27.9	20.0	23.6	
FCW-17HD	17.0	26.2	14.2	10.0	10.2	
FCW-27A	26.9	38.0	16.4	15.0	12.5	
FCW-27CS	27.0	38.5	14.4	15.0	9.5	
FCW-27KM	27.0	38.5	14.4	11.2	9.5	
FCW-29	31.6	45.5	10.9	19.0	5.5	
FCW-30	32.0	45.7	12.2	19.2	7.0	
FCW-32MT	32.7	44.7	22.0	15.0	15.8	
FCW-31F	31.6	45.0	18.4	15.0	13.0	
FCW-35QT	21.6	35.0	17.6	15.0	13.0	
FCW-35XR	35.0	48.9	11.5	13.0	6.5	
FCW-40	39.7	53.5	13.1	19.2	7.0	
FCW-40K	39.7	53.5	15.3	19.3	9.5	
FCW-41	41.3	55.2	10.4	18.7	5.0	
FCW-50	64.0	77.5	12.3	19.2	6.5	
FCW-50H	65.2	79.2	18.8	19.0	13.0	
FCW-52KT	52.2	61.0	13.2	12.7	8.8	
FCW-52A	52.6	66.5	15.2	19.8	10.1	



電線固定板 CABLE CLAMP

MATERIAL: NYLON 66(UL)
 FLAME CLASS: 94V-2
 COLOR: NATURAL
 ADHESIVE TAPE: 3M



PART NO	A	B	C	D	F	PACKAGE
FCW-160S	16.0	20.6	4.3	10.0	2.0	500

PINGOOD

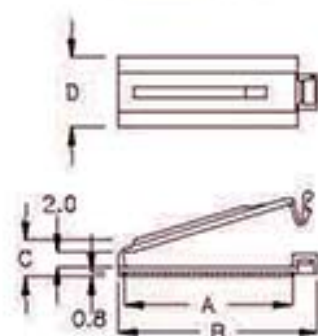
6-38-1



電線固定板 CABLE CLAMP

MATERIAL: NYLON 66(UL)
FLAME CLASS: 94V-2
COLOR: NATURAL
ADHESIVE TAPE: 3M

PART NO	A	B	C	D	PACKAGE
FCW-16GR	16.0	20.6	5.3	10.0	200
FCW-24GR	24.0	28.6	6.2	10.0	
FCW-30GR	30.0	34.6	5.3	10.0	



6-38-2

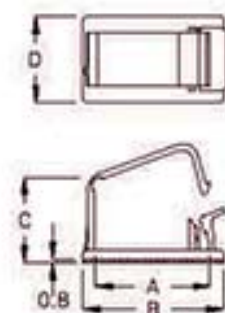


電線固定板 CABLE CLAMP

MATERIAL: NYLON 66(UL)
FLAME CLASS: 94V-2
COLOR: NATURAL
ADHESIVE TAPE: 3M

WITH LOCK FEATURE

PART NO	A	B	C	D	PACKAGE
FWT-17C	17.0	26.2	13.5	10.0	100
FWT-21	21.0	31.0	19.3	19.0	



6-38-3

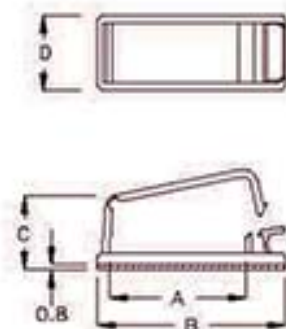


電線固定板 CABLE CLAMP

MATERIAL: NYLON 66(UL)
FLAME CLASS: 94V-2
COLOR: NATURAL
ADHESIVE TAPE: 3M

WITH LOCK FEATURE

PART NO	A	B	C	D	PACKAGE
FWT-25	31.6	45.0	18.8	19.0	100
FWT-25A	33.0	44.4	11.2	19.0	



6-38-4

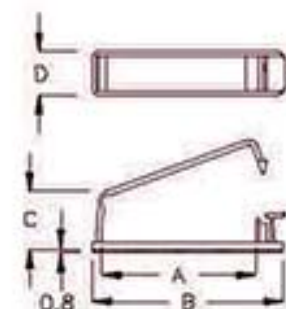


電線固定板 CABLE CLAMP

MATERIAL: NYLON 66(UL)
FLAME CLASS: 94V-2
COLOR: BLACK
ADHESIVE TAPE: 3M

WITH LOCK FEATURE

PART NO	A	B	C	D	PACKAGE
FWT-53C	53.9	66.7	21.7	15.0	100



6-39-1

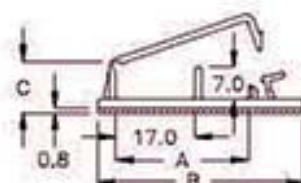


電線固定板 CABLE CLAMP

MATERIAL: NYLON 66(UL)
FLAME CLASS: 94V-2
COLOR: NATURAL
ADHESIVE TAPE: 3M

WITH LOCK FEATURE

PART NO	A	B	C	D	PACKAGE
FCY-27SY	28.5	44.4	11.0	19.0	100



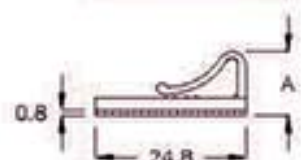
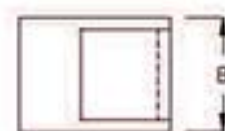
6-39-2



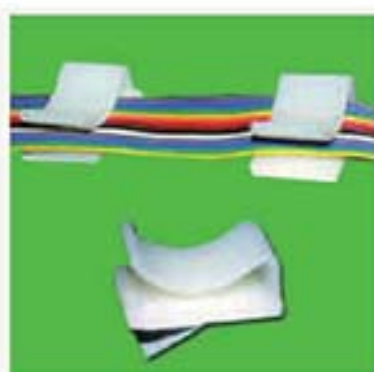
排線固定板 FLAT CABLE CLAMP

MATERIAL: NYLON 66(UL)
FLAME CLASS: 94V-2
COLOR: NATURAL
ADHESIVE TAPE: 3M

PART NO	A	B	PACKAGE
FC-10N	10.4	18.8	500



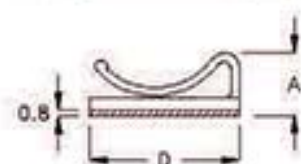
6-39-3



排線固定板 FLAT CABLE CLAMP

MATERIAL: NYLON 66(UL)
FLAME CLASS: 94V-2
COLOR: NATURAL
ADHESIVE TAPE: 3M

PART NO	A	B	C	D	PACKAGE
FC-15N	10.5	19.0	15.0	25.0	200
FC-25N	10.5	25.0	23.0	25.2	



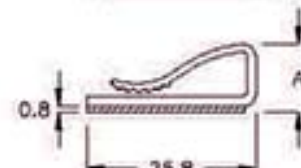
6-39-4



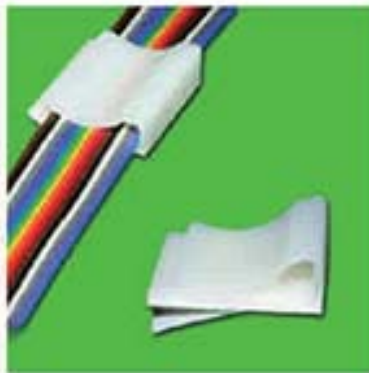
排線固定板 FLAT CABLE CLAMP

MATERIAL: NYLON 66(UL)
COLOR: GRAY
ADHESIVE TAPE: 3M

PART NO	A	B	PACKAGE
FB-15A	10.3	15.0	1000



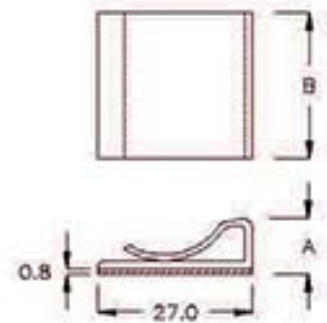
6-40-1



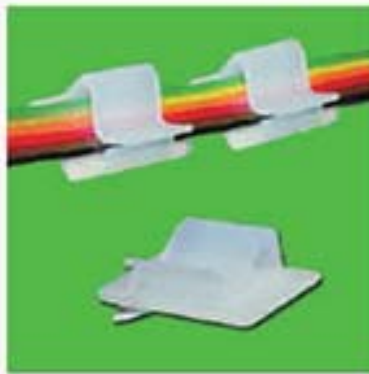
排線固定板 FLAT CABLE CLAMP

MATERIAL: NYLON 66(UL)
 FLAME CLASS: 94V-2
 COLOR: NATURAL
 ADHESIVE TAPE: 3M

PART NO.	A	B	PACKAGE
FC-25A	9.6	25.4	500



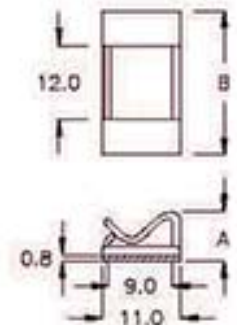
6-40-2



排線固定板 FLAT CABLE CLAMP

MATERIAL: NYLON 66(UL)
 FLAME CLASS: 94V-2
 COLOR: NATURAL
 ADHESIVE TAPE: 3M

PART NO.	A	B	PACKAGE
FCR-09	6.8	22.0	1000



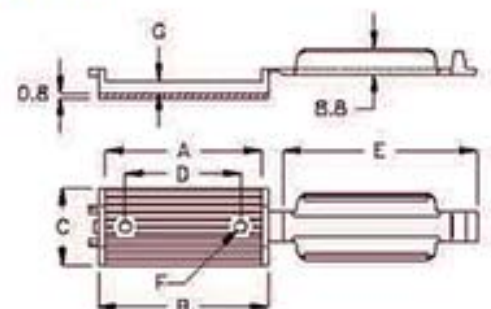
6-40-3



排線固定板 FLAT CABLE CLAMP

MATERIAL: NYLON 66(UL)
 FLAME CLASS: 94V-2
 COLOR: NATURAL
 ADHESIVE TAPE: 3M
 ALSO CAN BE FASTENED WITH M3 SCREW

PART NO.	A	B	C	D	E	F	G	SUITABLE CABLE	PACKAGE
FCM-50	53.0	57.3	26.0	39.0	64.6	2- ϕ 3.8	4.1	40 PIN	100

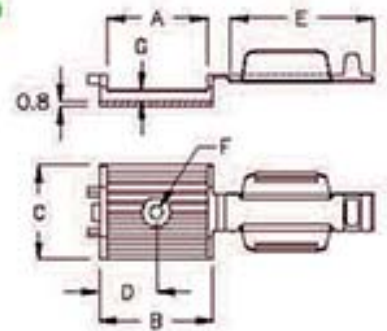


6-41-1



排線固定板 FLAT CABLE CLAMP

MATERIAL: NYLON 66(UL)
 FLAME CLASS: 94V-2
 COLOR: NATURAL
 ADHESIVE TAPE: 3M
 ALSO CAN BE FASTENED
 WITH M3 SCREW



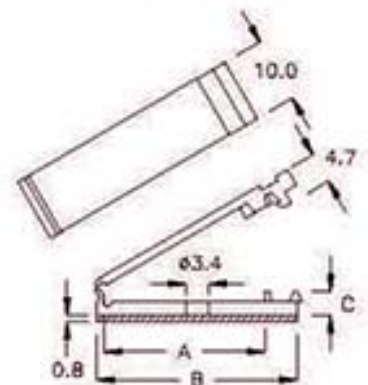
PART NO	A	B	C	D	E	F	C	SUITABLE CABLE	PACKAGE
FCM-26AM	26.6	29.7	25.0	14.85	37.9	∅3.8	3.0	16 PIN	100
FCM-30	30.5	34.5	25.4	17.5	42.0	∅3.8	3.1	24 PIN	
FCM-31	26.8	30.7	25.4	15.5	38.5	∅3.65	3.0	16 PIN	

6-41-2



排線固定板 FLAT CABLE CLAMP

MATERIAL: NYLON 66(UL)
 FLAME CLASS: 94V-2
 COLOR: NATURAL
 ADHESIVE TAPE: 3M
 ALSO CAN BE FASTENED
 WITH M3 SCREW



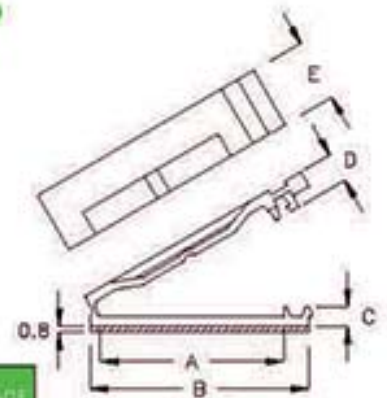
PART NO	A	B	C	SUITABLE CABLE	PACKAGE
FCM-25H	24.8	31.0	3.6	16 PIN	200

6-41-3



排線固定板 FLAT CABLE CLAMP

MATERIAL: NYLON 66(UL)
 FLAME CLASS: 94V-2
 COLOR: NATURAL
 ADHESIVE TAPE: 3M



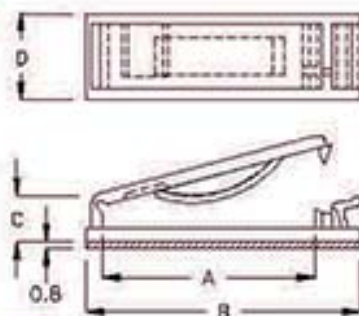
WITH LOCK FEATURE

PART NO	A	B	C	D	E	SUITABLE CABLE	PACKAGE
FCM-25S	22.0	28.0	3.0	4.7	10.0	15 PIN	200
FCM-25	29.3	36.5	3.0	4.7	10.0	20 PIN	
FCM-25M	55.8	61.2	4.0	4.7	15.0	40 PIN	100



排線固定板 FLAT CABLE CLAMP

MATERIAL: NYLON 66(UL)
 FLAME CLASS: 94V-2
 COLOR: NATURAL
 ADHESIVE TAPE: 3M



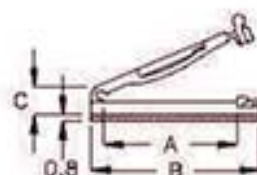
WITH LOCK FEATURE

PART NO	A	B	C	D	SUITABLE CABLE	PACKAGE
FCD-25	31.5	40.7	6.8	12.7	25 PIN	100
FCD-40	52.0	61.2	6.9	12.7	40 PIN	



排線固定板 FLAT CABLE CLAMP

MATERIAL: NYLON 66(UL)
 FLAME CLASS: 94V-2
 COLOR: BLACK
 ADHESIVE TAPE: 3M

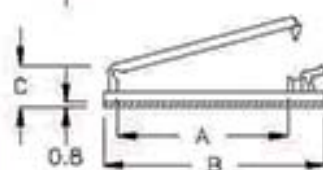


PART NO	A	B	C	D	SUITABLE CABLE	PACKAGE
FCD-18	17.5	22.0	3.9	13.0	13 PIN	500



排線固定板 FLAT CABLE CLAMP

MATERIAL: NYLON 66(UL)
 FLAME CLASS: 94V-2
 COLOR: NATURAL
 ADHESIVE TAPE: 3M



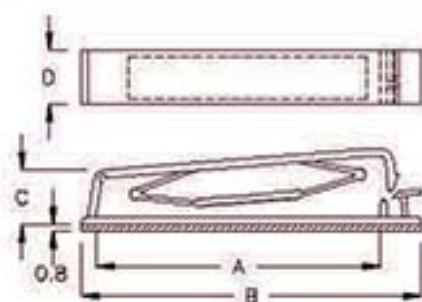
WITH LOCK FEATURE

PART NO	A	B	C	D	SUITABLE CABLE	PACKAGE
FCD-17	17.0	26.2	6.6	12.7	13 PIN	200
FCD-19A	19.0	28.0	5.8	10.0	13 PIN	
★ FCD-21BH	21.5	30.0	13.5	12.7	13 PIN	100
★ FCD-26EZ	26.5	35.0	13.5	12.7	20 PIN	
FCD-27	27.0	36.0	10.8	12.7	20 PIN	
FCD-27C	27.0	36.0	13.8	12.7	20 PIN	
FCD-27F	27.0	36.0	16.5	15.0	20 PIN	
★ FCD-29KT	29.5	38.0	13.5	12.7	20 PIN	
FCD-31AN	31.0	39.5	7.5	12.7	25 PIN	
FCD-25A	31.1	40.4	7.9	12.7	25 PIN	
FCD-50	50.0	59.0	10.8	12.7	40 PIN	
FCD-40H	52.0	61.2	7.6	12.7	40 PIN	
FCD-60H	62.8	72.2	7.9	12.9	60 PIN	



排線固定板 FLAT CABLE CLAMP

MATERIAL: NYLON 66(UL)
 FLAME CLASS: 94V-2
 COLOR: NATURAL
 ADHESIVE TAPE: 3M
 *加中隔板
 *WITH ISOLATE BOARD



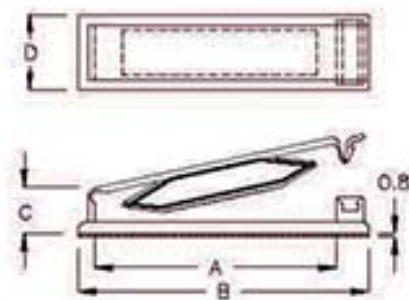
WITH LOCK FEATURE

PART NO	A	B	C	D	SUITABLE CABLE	PACKAGE
FCC-25C	31.8	45.0	15.2	19.0	25 PIN	100
*FCC-25K	31.3	40.7	6.4	10.0	25 PIN	
FCC-30	32.0	45.0	15.8	18.6	30 PIN	
FCC-40	54.0	67.0	15.8	15.8	40 PIN	
FCC-40C	53.8	66.0	12.0	10.2	40 PIN	
*FCC-41	54.0	67.0	15.8	15.8	40 PIN	
*FCC-41A	53.7	66.7	16.1	12.8	40 PIN	
FCC-50	65.2	78.3	15.8	18.8	50 PIN	
FCC-50F	63.7	76.2	15.1	19.0	50 PIN	
FCC-64	83.5	97.5	15.8	16.0	64 PIN	



排線固定板 FLAT CABLE CLAMP

MATERIAL: NYLON 66(UL)
 FLAME CLASS: 94V-2
 COLOR: NATURAL
 ADHESIVE TAPE: 3M



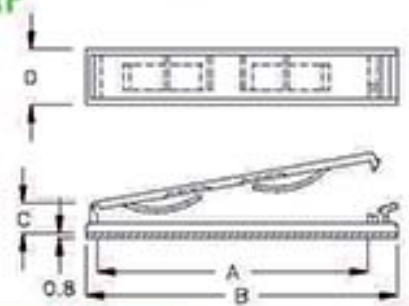
WITH LOCK FEATURE

PART NO	A	B	C	D	SUITABLE CABLE	PACKAGE
FWY-50	64.0	77.0	11.8	20.0	50 PIN	100



排線固定板 FLAT CABLE CLAMP

MATERIAL: NYLON 66(UL)
 FLAME CLASS: 94V-2
 COLOR: NATURAL
 ADHESIVE TAPE: 3M



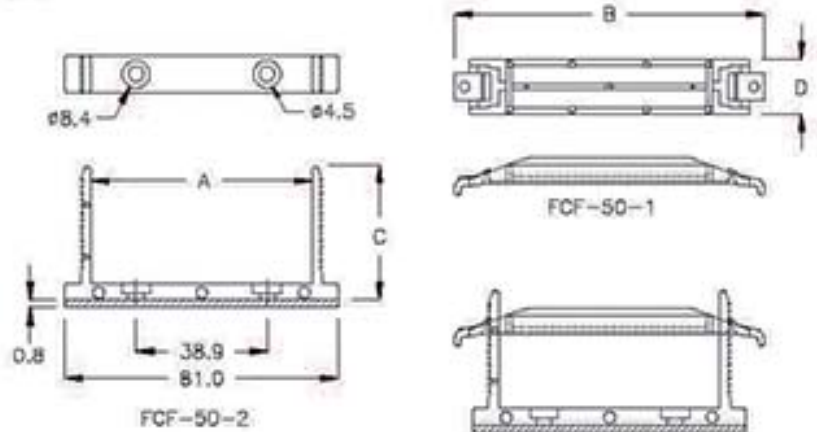
WITH LOCK FEATURE

PART NO	A	B	C	D	SUITABLE CABLE	PACKAGE
FCD-60A	62.8	72.2	7.1	12.9	45 PIN	100

排線固定板 FLAT CABLE CLAMP

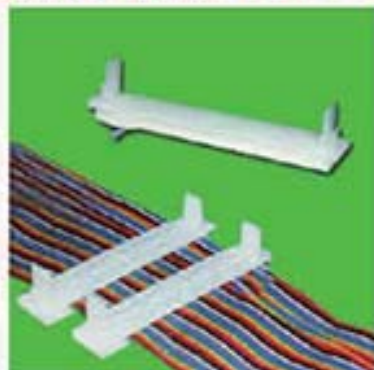


MATERIAL: NYLON 66(UL)
 FLAME CLASS: 94V-2
 COLOR: NATURAL
 ADHESIVE TAPE: 3M
 ALSO CAN BE FASTENED
 WITH M4 SCREW

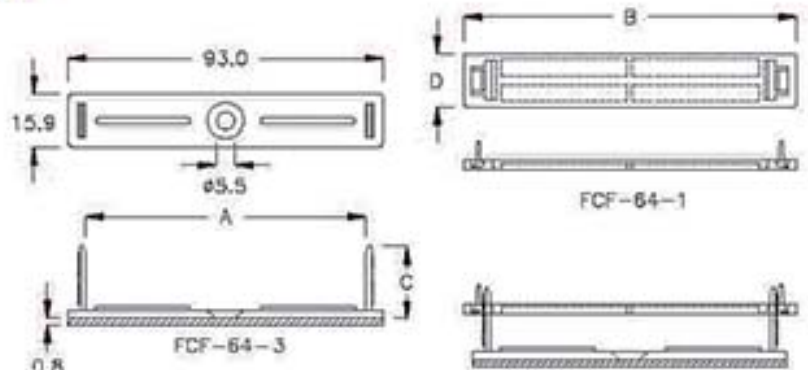


PART NO	A	B	C	D	SUITABLE CABLE	PACKAGE
FCF-50	65.4	91.8	40.3	16.0	50 PIN X30	100

排線固定板 FLAT CABLE CLAMP



MATERIAL: NYLON 66(UL)
 FLAME CLASS: 94V-2
 COLOR: NATURAL
 ADHESIVE TAPE: 3M
 ALSO CAN BE FASTENED
 WITH M5 SCREW



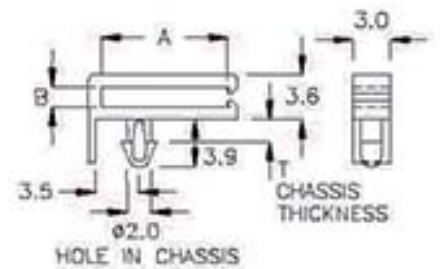
PART NO	A	B	C	D	SUITABLE CABLE	PACKAGE
FCF-64	83.0	99.2	22.0	15.9	64 PIN X12	100



隔離束線座 WIRE SADDLE

MATERIAL: NYLON 66(UL)
FLAME CLASS: 94V-2
COLOR: NATURAL

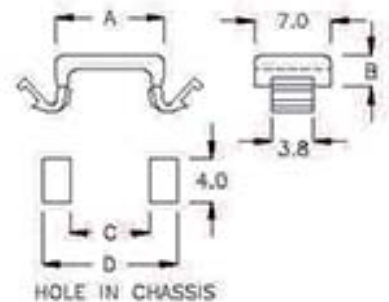
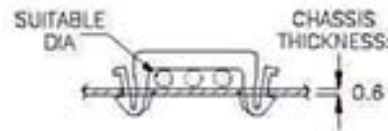
PART NO	A	B	T CHASSIS THICKNESS	PACKAGE
CID-01	10.0	1.6	1.6	2000



電線固定座 WIRE MOUNT

MATERIAL: NYLON 66(UL)
FLAME CLASS: 94V-2
COLOR: NATURAL

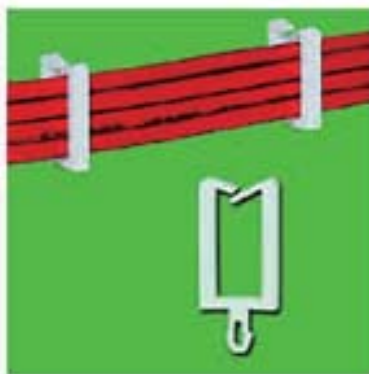
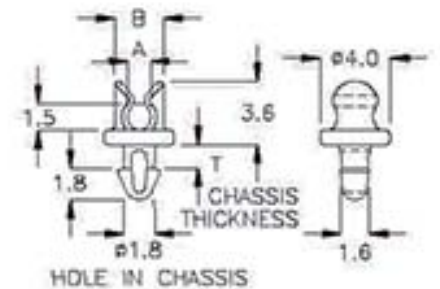
PART NO	A	B	C	D	SUITABLE DIA	PACKAGE
FBF-01	9.9	2.9	7.3	12.3	ø1.5X3	2000
FBF-3A	9.9	3.75	7.3	12.3	ø2.0X3	
FBF-4C	11.9	3.75	9.3	14.3	ø2.0X4	



電線固定座 WIRE SADDLE

MATERIAL: NYLON 66(UL)
FLAME CLASS: 94V-2
COLOR: NATURAL

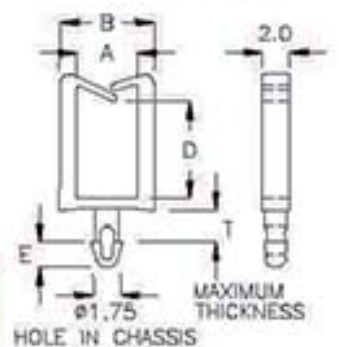
PART NO	A	B	T CHASSIS THICKNESS	PACKAGE
★ CSF-1MK	1.3	2.8	1.2	2000
CSF-1KC	1.3	2.8	1.6	



隔離束線座 WIRE SADDLE

MATERIAL: NYLON 66(UL)
FLAME CLASS: 94V-2
COLOR: NATURAL

PART NO	A	B	D	E	T MAXIMUM THICKNESS	PACKAGE
CHT-4GF	4.3	6.7	8.5	1.75	2.2	2000

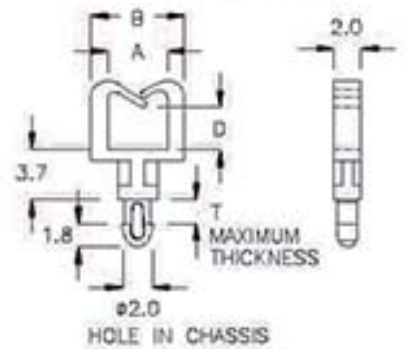




隔離束線座 WIRE SADDLE

MATERIAL: NYLON 66(UL)
FLAME CLASS: 94V-2
COLOR: NATURAL

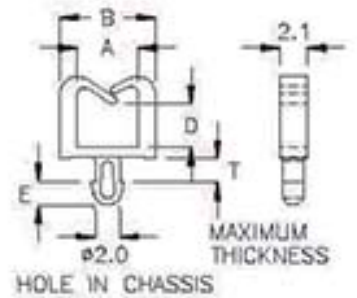
PART NO	A	B	D	T MAXIMUM THICKNESS	PACKAGE
CMC-3A	4.4	6.9	3.1	1.6	2000



隔離束線座 WIRE SADDLE

MATERIAL: NYLON 66(UL)
FLAME CLASS: 94V-2
COLOR: NATURAL

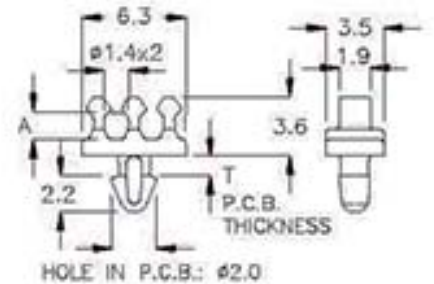
PART NO	A	B	D	E	T MAXIMUM THICKNESS	PACKAGE
CH-1MR	3.4	5.8	3.0	1.8	1.2	2000
CH-01K	3.4	5.8	3.3	1.9	1.6	
CH-01F	4.3	6.9	3.1	1.9	1.6	
CH-02F	4.4	6.9	3.1	1.9	2.5	
★ CH-5TA	4.4	6.9	5.1	1.8	2.5	
CH-01H	5.2	7.8	5.8	1.9	1.6	



電線固定座 WIRE MOUNT

MATERIAL: NYLON 66(UL)
FLAME CLASS: 94V-2
COLOR: NATURAL

PART NO	A	T P.C.B. THICKNESS	PACKAGE
CMRW-6K	1.8	1.0	2000

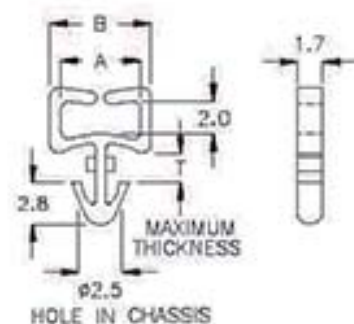




電線固定座 WIRE SADDLE

MATERIAL: NYLON 66(UL)
FLAME CLASS: 94V-2
COLOR: NATURAL

PART NO	A	B	T MAXIMUM THICKNESS	PACKAGE
CJA-1A	5.4	6.8	2.0	2000

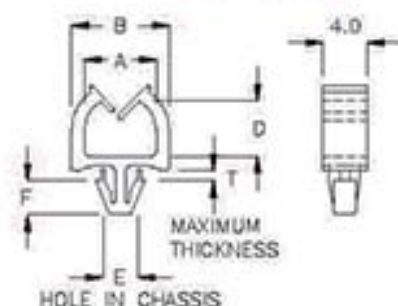


隔離束線座 WIRE SADDLE

MATERIAL: NYLON 66(UL)
FLAME CLASS: 94V-2
COLOR: NATURAL



PART NO	A	B	D	E HOLE IN CHASSIS	T	UL	T MAXIMUM THICKNESS	PACKAGE
CH-1HK	8.2	10.8	6.9	φ2.75	3.0		1.6	2000
CH-01B	8.2	10.8	6.9		3.1		1.6	
CH-1BK	8.3	10.7	6.9		2.1		1.6	
CH-01C	7.4	10.0	5.0		2.2		1.6	
CH-1FW	6.8	9.3	5.0		2.8		1.6	
CH-01M	6.5	9.0	5.0		3.1	UL	0.8	
CH-01P	7.4	10.0	5.3		2.2		2.0	
CH-1PD	10.6	13.0	8.0		2.5		1.6	
CH-01U	8.3	10.7	7.0		2.5		1.6	
CH-01Q	6.6	9.0	4.9		φ3.5	3.0		
CH-01W	6.6	9.0	4.5	3.2			1.8	
CH-01N	9.0	11.6	5.3	2.7			1.2	

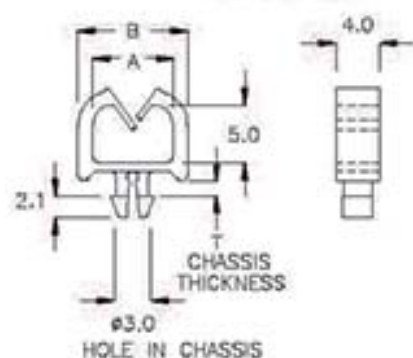


隔離束線座 WIRE SADDLE

MATERIAL: NYLON 66(UL)
FLAME CLASS: 94V-2
COLOR: NATURAL



PART NO	A	B	T CHASSIS THICKNESS	PACKAGE
CH-01S	7.4	10.0	1.2~1.6	2000



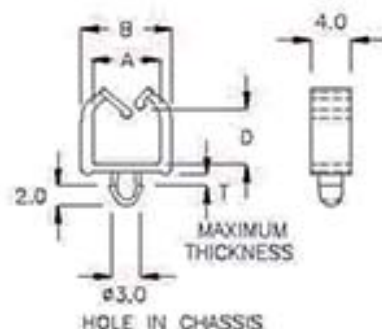
6-48-1



隔離束線座 WIRE SADDLE

MATERIAL: NYLON 66(UL)
FLAME CLASS: 94V-2
COLOR: NATURAL

PART NO	A	B	D	T MAXIMUM THICKNESS	PACKAGE
CH-01A	6.7	9.0	5.0	1.2	2000
CH-01J	6.7	9.0	5.0	1.8	
CH-1AM	6.7	9.2	5.45	0.8	



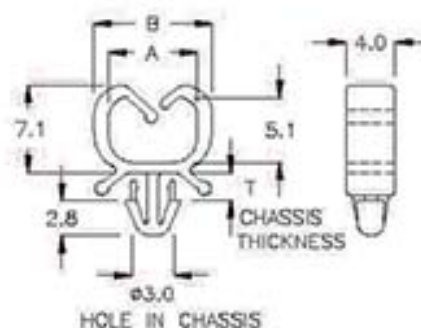
6-48-2



隔離束線座 WIRE SADDLE

MATERIAL: NYLON 66(UL)
FLAME CLASS: 94V-2
COLOR: NATURAL

PART NO	A	B	T CHASSIS THICKNESS	PACKAGE
CZC-7D	7.2	9.7	0.6~1.6	1000



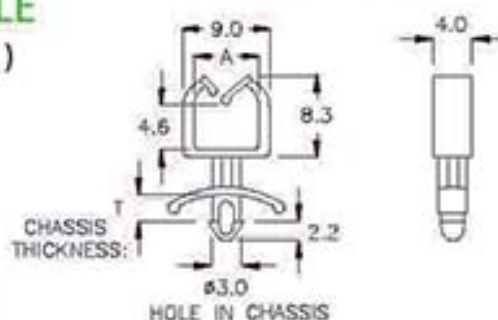
6-48-3



隔離束線座 WIRE SADDLE

MATERIAL: NYLON 66(UL)
FLAME CLASS: 94V-2
COLOR: NATURAL

PART NO	A	T CHASSIS THICKNESS	PACKAGE
CMA-4A	6.7	1.0~2.0	1000



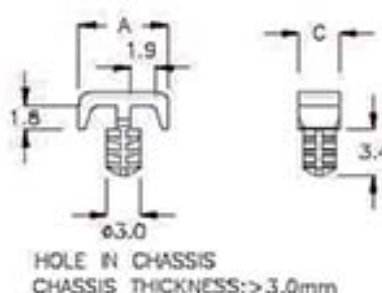
6-48-4



電線固定座 WIRE MOUNT

MATERIAL: NYLON 66(UL)
FLAME CLASS: 94V-2
COLOR: NATURAL

PART NO	A	C	PACKAGE
PCS-4A	6.6	5.0	2000
PCS-5A	6.6	3.0	



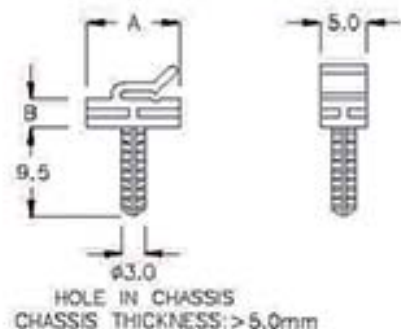
6-49-1



電線固定座 WIRE MOUNT

MATERIAL: NYLON 66(UL)
FLAME CLASS: 94V-2
COLOR: NATURAL

PART NO	A	B	PACKAGE
PCS-6A	10.0	3.0	2000



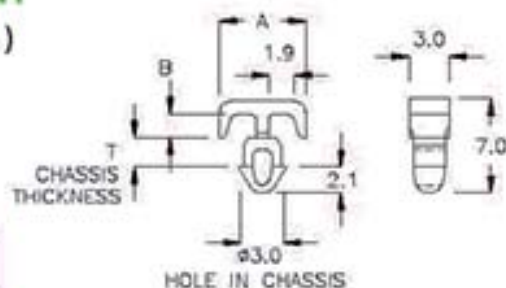
6-49-2



電線固定座 WIRE MOUNT

MATERIAL: NYLON 66(UL)
FLAME CLASS: 94V-2
COLOR: NATURAL

PART NO	A	B	T CHASSIS THICKNESS	PACKAGE
PCS-1A	6.6	1.8	2.0	2000



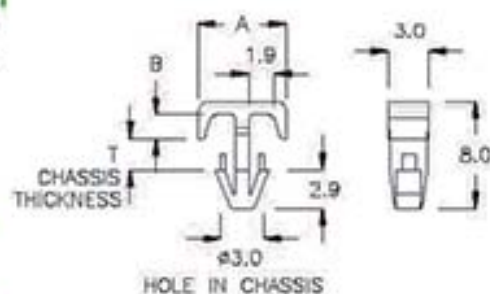
6-49-3



電線固定座 WIRE MOUNT

MATERIAL: NYLON 66(UL)
FLAME CLASS: 94V-2
COLOR: NATURAL

PART NO	A	B	T CHASSIS THICKNESS	PACKAGE
PCS-3A	6.6	1.8	2.0	2000



6-49-4

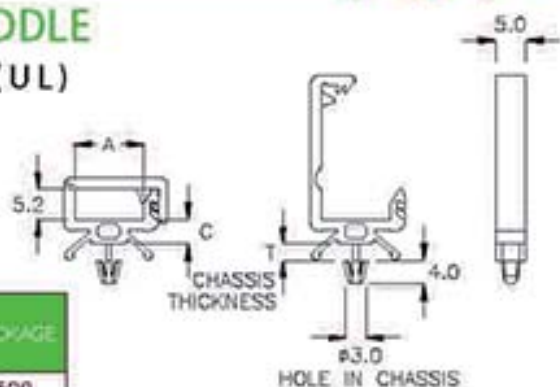


隔離束線座 WIRE SADDLE

MATERIAL: NYLON 66(UL)
FLAME CLASS: 94V-2
COLOR: NATURAL

WITH LOCK FEATURE

PART NO	A	C	T CHASSIS THICKNESS	PACKAGE
CHR-05	11.1	4.0	0.6~2.5	500



PINGOOD

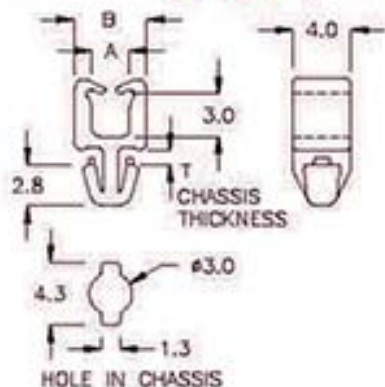
6-50-1



隔離束線座 WIRE SADDLE

MATERIAL: NYLON 66(UL)
FLAME CLASS: 94V-2
COLOR: NATURAL

PART NO	A	B	T CHASSIS THICKNESS	PACKAGE
CZH-2H	2.6	3.0	0.8~1.0	2000



6-50-2

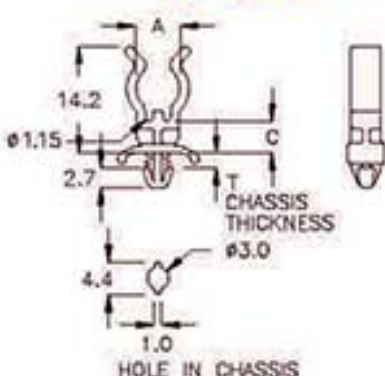


隔離束線座 WIRE SADDLE

MATERIAL: NYLON 66(UL)
FLAME CLASS: 94V-2
COLOR: NATURAL

Built-In Anti-Spin Function

PART NO	A	C	T CHASSIS THICKNESS	PACKAGE
TDD-4PA	6.0	4.2	0.6~1.6	500



6-50-3

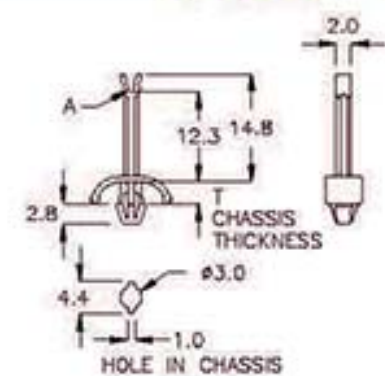


隔離束線座 WIRE SADDLE

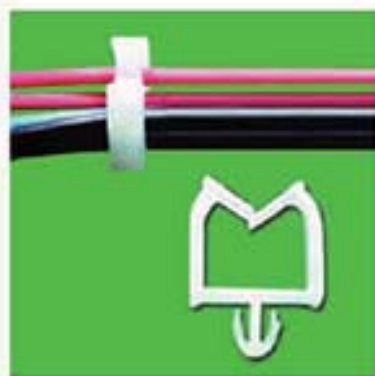
MATERIAL: NYLON 66(UL)
FLAME CLASS: 94V-2
COLOR: NATURAL

Built-In Anti-Spin Function

PART NO	A	T CHASSIS THICKNESS	PACKAGE
TDF-12CM	11.0	1.6~2.4	500



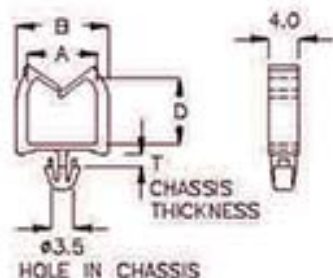
6-50-4

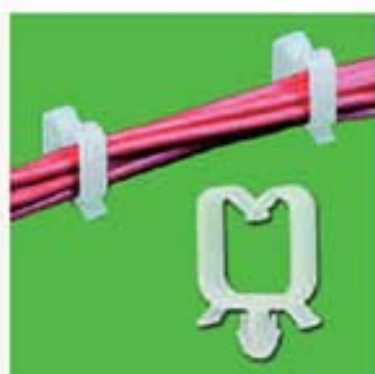


隔離束線座 WIRE SADDLE

MATERIAL: NYLON 66(UL)
FLAME CLASS: 94V-2
COLOR: NATURAL

PART NO	A	B	D	T CHASSIS THICKNESS	PACKAGE
CH-01Y	8.8	12.0	8.5	1.0~1.6	2000

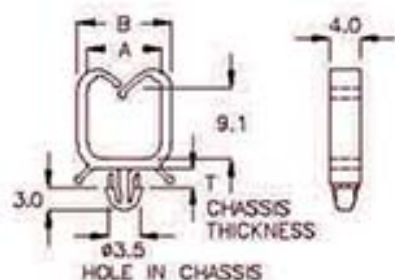




隔離束線座 WIRE SADDLE

MATERIAL: NYLON 66(UL)
FLAME CLASS: 94V-2
COLOR: NATURAL

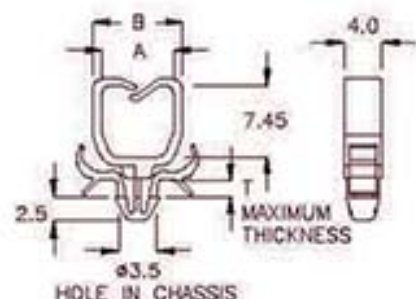
PART NO.	A	B	T CHASSIS THICKNESS	PACKAGE
CZB-9C	9.5	12.1	0.6~1.6	500



隔離束線座 WIRE SADDLE

MATERIAL: NYLON 66(UL)
FLAME CLASS: 94V-2
COLOR: NATURAL

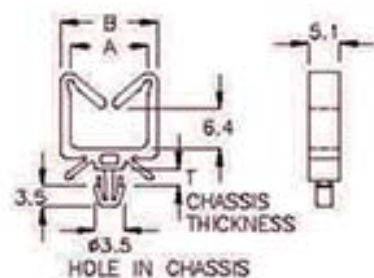
PART NO.	A	B	T MAXIMUM THICKNESS	PACKAGE
CZA-7A	7.5	9.5	1.5	1000



隔離束線座 WIRE SADDLE

MATERIAL: NYLON 66(UL)
FLAME CLASS: 94V-2
COLOR: NATURAL

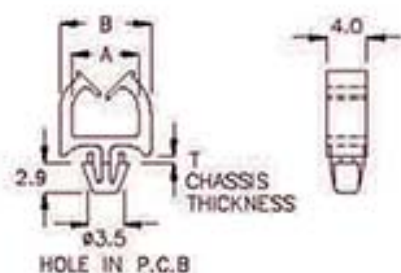
PART NO.	A	B	T CHASSIS THICKNESS	PACKAGE
CZR-12A	12.8	16.0	1.2~2.0	500



隔離束線座 WIRE SADDLE

MATERIAL: NYLON 66(UL)
FLAME CLASS: 94V-2
COLOR: NATURAL

PART NO.	A	B	T CHASSIS THICKNESS	PACKAGE
CH-10F	6.6	9.0	0.8~1.0	2000



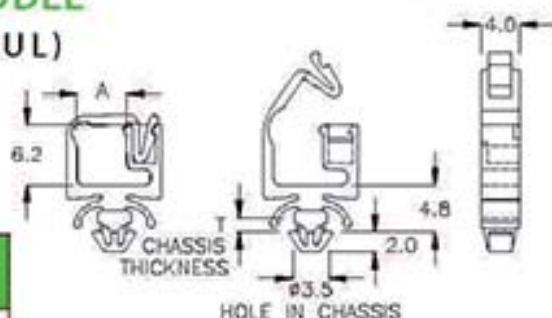


隔離束線座 WIRE SADDLE

MATERIAL: NYLON 66(UL)
FLAME CLASS: 94V-2
COLOR: NATURAL

WITH LOCK FEATURE

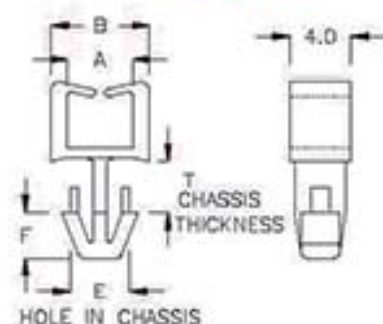
PART NO	A	T CHASSIS THICKNESS	PACKAGE
CZF-6A	5.1	0.8~2.0	1000



隔離束線座 WIRE SADDLE

MATERIAL: NYLON 66(UL)
FLAME CLASS: 94V-2
COLOR: NATURAL

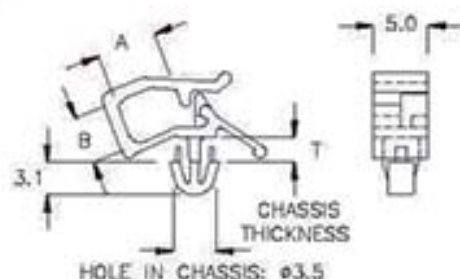
PART NO	A	B	T CHASSIS THICKNESS	F HOLE IN CHASSIS	PACKAGE
CH-01L	4.3	6.5	2.8~3.0	3.5	2000
CH-1LA	4.3	6.5	0.9~1.1	3.6	
CH-1LB	4.3	6.5	3.8~4.0	3.5	
CH-01D	4.5	6.5	4.0~4.4	3.5	
CH-1KP	4.3	6.5	0.9~1.1	3.6	



隔離束線座 WIRE SADDLE

MATERIAL: NYLON 66(UL)
FLAME CLASS: 94V-2
COLOR: NATURAL

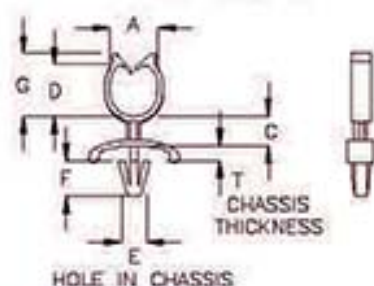
PART NO	A	B	T CHASSIS THICKNESS	PACKAGE
CH-03	5.5	4.3	1.2~2.0	1000
CH-03F	4.2	2.6	1.6~2.4	
CH-03S	4.2	2.8	1.2~2.0	





隔離束線座 WIRE SADDLE

MATERIAL: NYLON 66(UL)
FLAME CLASS: 94V-2
COLOR: NATURAL

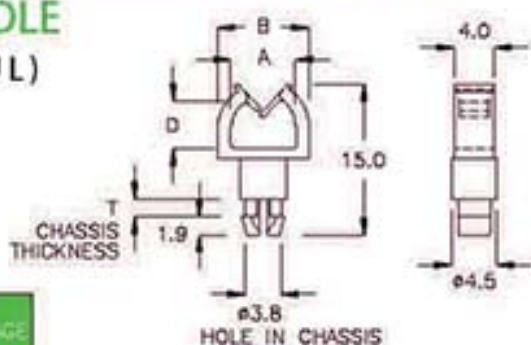


PART NO	A	C	D	E HOLE IN CHASSIS	F	G	T CHASSIS THICKNESS	PACKAGE
TDA-4A	7.4	4.5	8.0	φ3.3	5.5	9.7	0.8~1.8	500
TDA-10	5.6	10.0	5.2	φ3.5	4.0	7.0	0.8~1.6	
TDA-10F	5.6	10.0	5.2	φ3.5	4.0	7.0	1.4~2.2	
TDA-13	7.4	13.0	8.0	φ3.5	4.2	9.7	0.8~1.6	
TDA-13C	7.4	13.0	8.0	φ3.5	3.1	9.7	0.6~1.6	



隔離束線座 WIRE SADDLE

MATERIAL: NYLON 66(UL)
FLAME CLASS: 94V-2
COLOR: NATURAL

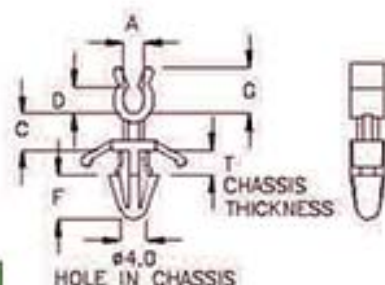


PART NO	A	B	T CHASSIS THICKNESS	D	PACKAGE
CH-04A	6.5	9.1	1.4~1.6	4.8	1000



隔離束線座 WIRE SADDLE

MATERIAL: NYLON 66(UL)
FLAME CLASS: 94V-2
COLOR: NATURAL

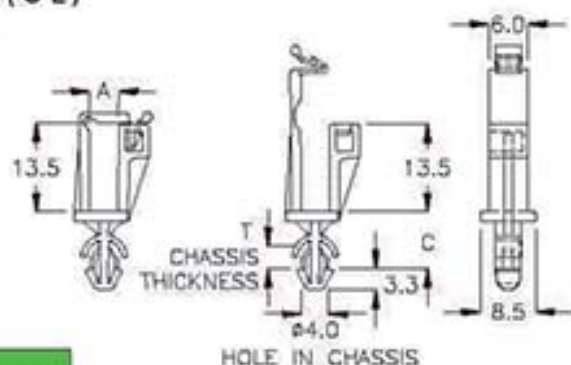


PART NO	A	C	D	F	G	T CHASSIS THICKNESS	PACKAGE
CS-04A	2.3	4.0	2.9	4.9	5.0	1.6~2.4	1000
CS-04C	2.0	4.5	2.0	4.8	5.0	1.6~2.4	
CS-10D	3.6	8.0	4.1	5.0	6.0	0.8~1.0	500



隔離束線座 WIRE SADDLE

MATERIAL: NYLON 66(UL)
FLAME CLASS: 94V-2
COLOR: NATURAL



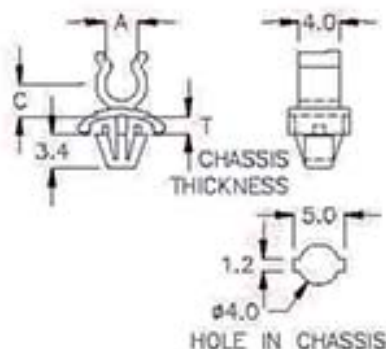
WITH LOCK FEATURE

PART NO	A	C	T CHASSIS THICKNESS	PACKAGE
CZS-4FG	4.5	8.2	2.0~2.7	500
CZS-4RK	4.5	8.8	2.7~3.6	



隔離束線座 WIRE SADDLE

MATERIAL: NYLON 66(UL)
FLAME CLASS: 94V-2
COLOR: NATURAL



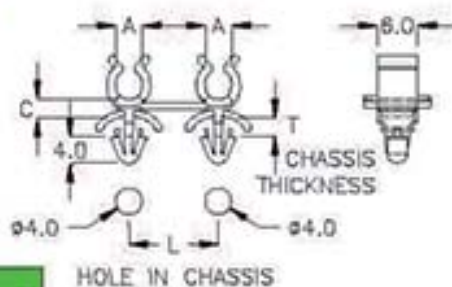
Built-In Anti-Spin Function

PART NO	A	E	T CHASSIS THICKNESS	PACKAGE
CS-01C	3.3	3.2	0.8~1.2	2000
CS-1DK	4.2	3.4	0.8~1.2	



隔離束線座 WIRE SADDLE

MATERIAL: NYLON 66(UL)
FLAME CLASS: 94V-2
COLOR: NATURAL



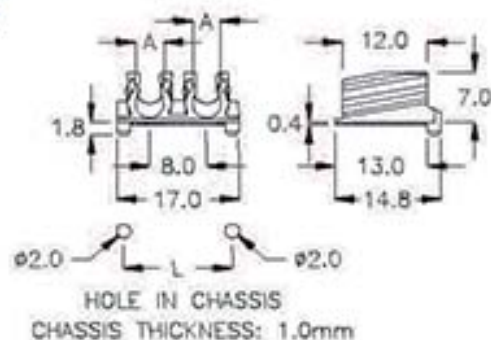
PART NO	A	C	L	T CHASSIS THICKNESS	PACKAGE
2CS-2WQ	3.95	2.85	12.0	1.0~1.5	500
2CS-2rR	3.95	2.85	13.5	1.0~2.0	



電線固定座 WIRE MOUNT

MATERIAL: NYLON 66(UL)
 FLAME CLASS: 94V-2
 COLOR: NATURAL
 ADHESIVE TAPE: 3M

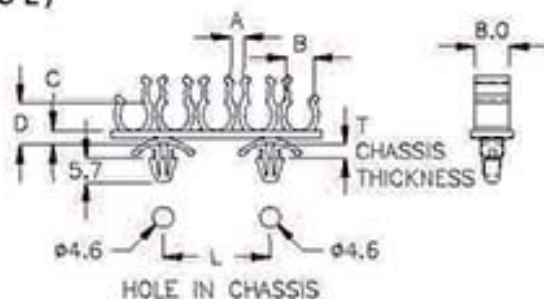
PART NO	A	L	PACKAGE
CMZ-17K	4.0	15.2	500



隔離束線座 WIRE SADDLE

MATERIAL: NYLON 66(UL)
 FLAME CLASS: 94V-2
 COLOR: NATURAL

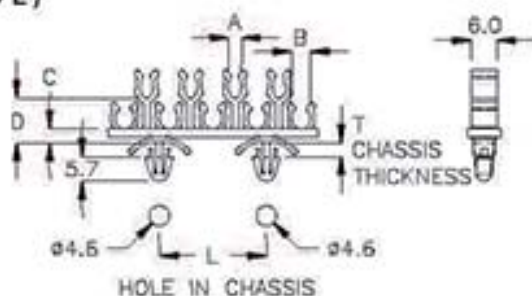
PART NO	A	B	C	D	L	T CHASSIS THICKNESS	PACKAGE
CTX-49DW	3.0	6.3	3.3	9.75	25.0	0.8~2.0	200



隔離束線座 WIRE SADDLE

MATERIAL: NYLON 66(UL)
 FLAME CLASS: 94V-2
 COLOR: NATURAL

PART NO	A	B	C	D	L	T CHASSIS THICKNESS	PACKAGE
CTX-49RC	3.0	4.4	3.3	10.5	25.0	0.8~2.0	200



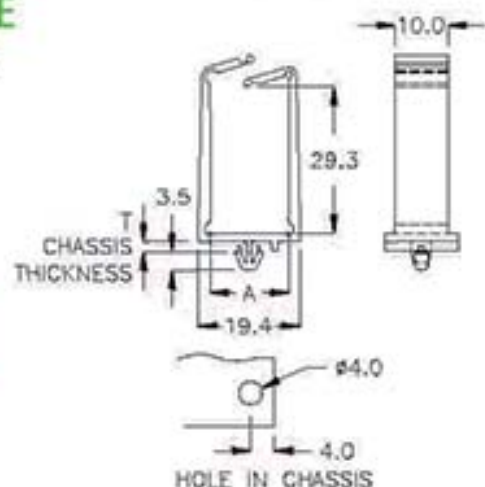


隔離束線座 WIRE SADDLE

MATERIAL: NYLON 66(UL)
FLAME CLASS: 94V-2
COLOR: NATURAL

Built-In Anti-Spin Function

PART NO	A	T CHASSIS THICKNESS	PACKAGE
CMK-15Q	15.0	1.4~1.7	100

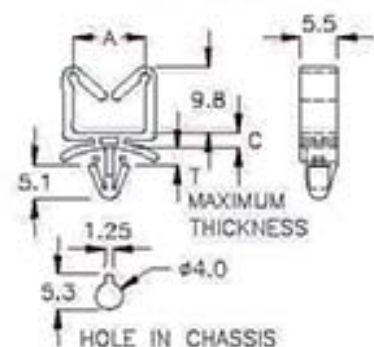


隔離束線座 WIRE SADDLE

MATERIAL: NYLON 66(UL)
FLAME CLASS: 94V-2
COLOR: NATURAL

Built-In Anti-Spin Function

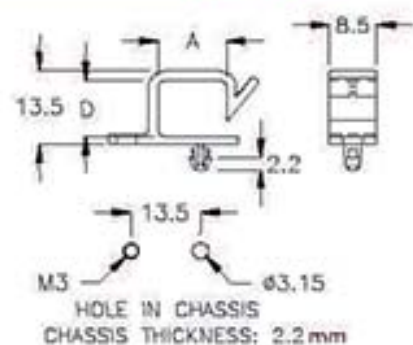
PART NO	A	C	T MAXIMUM THICKNESS	PACKAGE
CZL-10JY	10.9	2.35	1.6	500



隔離束線座 WIRE SADDLE

MATERIAL: NYLON 66(UL)
FLAME CLASS: 94V-2
COLOR: BLACK

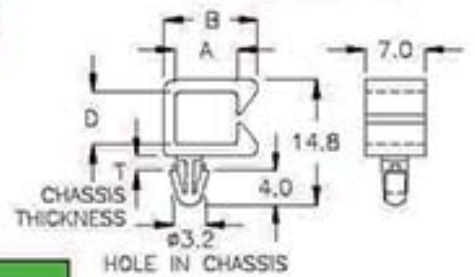
PART NO	A	D	PACKAGE
CUK-12ST	12.4	10.2	500





隔離束線座 WIRE SADDLE

MATERIAL: NYLON 66(UL)
FLAME CLASS: 94V-2
COLOR: NATURAL

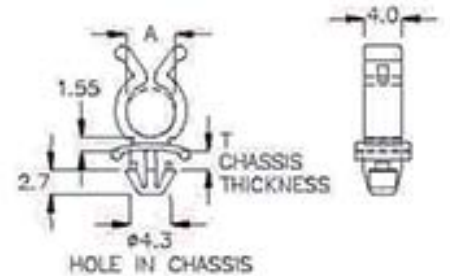


PART NO	A	B	D	T CHASSIS THICKNESS	PACKAGE
CBG-6PK	7.3	11.0	8.2	1.6	1000



隔離束線座 WIRE SADDLE

MATERIAL: NYLON 66(UL)
FLAME CLASS: 94V-2
COLOR: BLACK

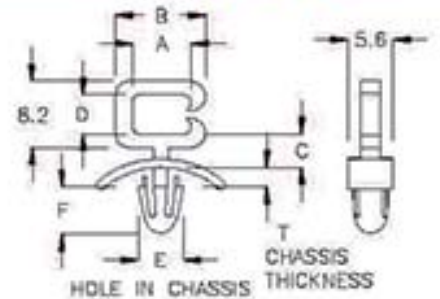


PART NO	A	T CHASSIS THICKNESS	PACKAGE
★ CSA-5K	5.3	1.6	1000



隔離束線座 WIRE SADDLE

MATERIAL: NYLON 66(UL)
FLAME CLASS: 94V-2
COLOR: NATURAL

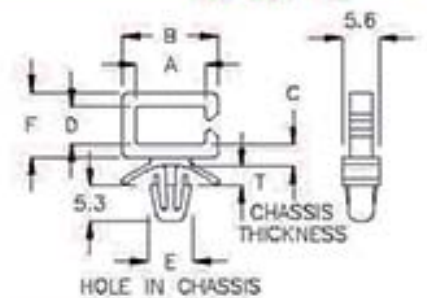


PART NO	A	B	C	D	E	F	T CHASSIS THICKNESS	PACKAGE
CHM-01	7.3	11.3	4.4	4.8	φ4.5	6.0	0.8~1.8	500



隔離束線座 WIRE SADDLE

MATERIAL: NYLON 66(UL)
FLAME CLASS: 94V-2
COLOR: NATURAL

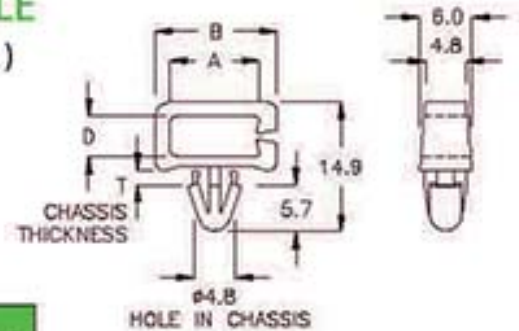


PART NO	A	B	C	D	E	F	T CHASSIS THICKNESS	PACKAGE
CUH-10A	10.2	14.0	3.35	5.6	φ4.75	9.5	0.8~1.6	500



隔離束線座 WIRE SADDLE

MATERIAL: NYLON 66(UL)
FLAME CLASS: 94V-2
COLOR: NATURAL

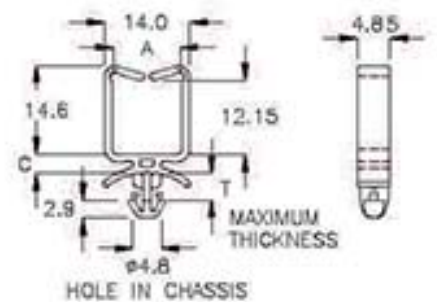


PART NO	A	B	D	T CHASSIS THICKNESS	PACKAGE
CH-02	10.2	14.2	4.6	0.8~1.2	1000



隔離束線座 WIRE SADDLE

MATERIAL: NYLON 66(UL)
FLAME CLASS: 94V-2
COLOR: NATURAL

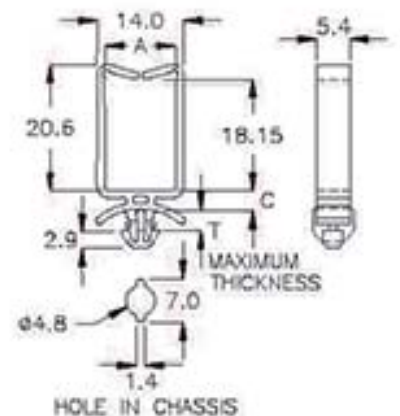


PART NO	A	C	T MAXIMUM THICKNESS	PACKAGE
CZM-11F	11.6	3.15	3.5	500



隔離束線座 WIRE SADDLE

MATERIAL: NYLON 66(UL)
FLAME CLASS: 94V-2
COLOR: BLACK

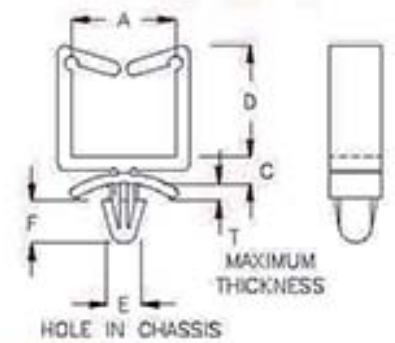


PART NO	A	C	T MAXIMUM THICKNESS	PACKAGE
★ CZY-11BH	11.6	3.15	2.4	500

隔離束線座 WIRE SADDLE



MATERIAL: NYLON 66(UL)
FLAME CLASS: 94V-2
COLOR: NATURAL

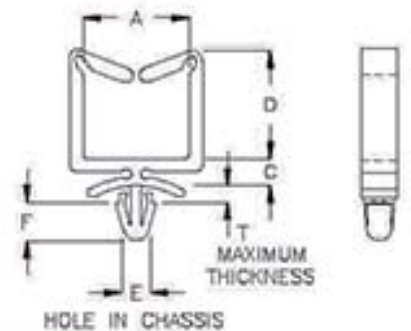


PART NO	A	C	D	E	F	T MAXIMUM THICKNESS	PACKAGE
CH-05	10.9	4.1	9.7	ø4.8	5.9	1.9	500
CH-10	11.0	3.9	15.0	ø4.8	5.8	1.9	
CH-10A	10.9	4.1	11.2	ø4.8	2.8	2.0	
CH-10L	11.0	3.7	23.7	ø4.8	5.6	2.1	
CH-14	14.6	4.1	15.1	ø5.0	6.2	2.1	
CH-14A	14.6	4.0	15.5	ø5.0	4.2	3.0	
CH-16	15.9	4.1	16.4	ø5.0	5.9	2.1	
CH-29	23.0	4.8	15.9	ø5.0	6.2	1.8	

隔離束線座 WIRE SADDLE



MATERIAL: NYLON 66(UL)
FLAME CLASS: 94V-2
COLOR: NATURAL, BLACK

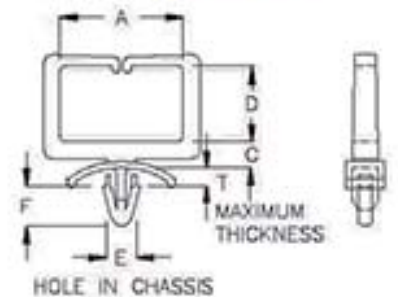


PART NO	A	C	D	E	F	T MAXIMUM THICKNESS	PACKAGE
CH-16A	15.7	4.0	15.9	ø4.8	5.7	2.1	500

隔離束線座 WIRE SADDLE



MATERIAL: NYLON 66(UL)
FLAME CLASS: 94V-2
COLOR: NATURAL



UL E154548(S)
CH-30(N66 94V-0) ULE154548(S)

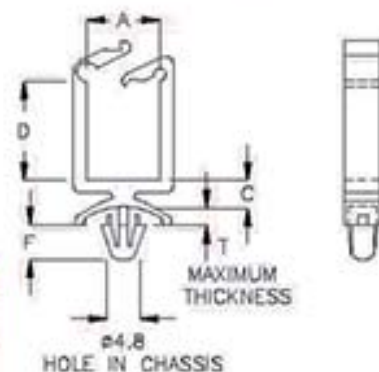
PART NO	A	C	D	E	F	T MAXIMUM THICKNESS	PACKAGE
CH-30	22.7	4.8	13.9	ø5.0	7.1	3.2	200

隔離束線座 WIRE SADDLE



MATERIAL: NYLON 66(UL)
FLAME CLASS: 94V-2
COLOR: NATURAL

PART NO	A	C	D	F	T MAXIMUM THICKNESS	PACKAGE
CM-10	10.8	4.1	19.4	5.0	2.0	500
CM-10L	23.7	4.7	32.2	5.0	2.0	
CM-10M	10.8	4.1	10.3	5.0	2.0	
CM-10Q	10.8	4.1	10.3	2.4	2.0	
CM-10S	10.8	4.1	7.3	5.0	2.0	

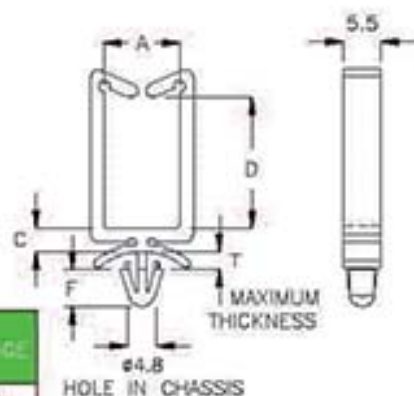


隔離束線座 WIRE SADDLE



MATERIAL: NYLON 66(UL)
FLAME CLASS: 94V-2
COLOR: NATURAL, BLACK

PART NO	A	C	D	F	T MAXIMUM THICKNESS	PACKAGE
CH-10C	11.1	3.6	19.5	5.5	1.6	500

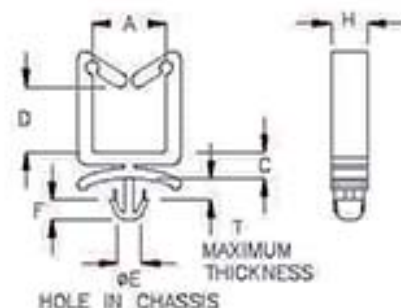


隔離束線座 WIRE SADDLE



MATERIAL: NYLON 66(UL)
FLAME CLASS: 94V-2
COLOR: NATURAL

PART NO	A	C	D	E HOLE IN CHASSIS	F	H	T MAXIMUM THICKNESS	PACKAGE
CH-10F	10.9	3.75	7.8	4.8	2.7	5.4	2.4	1000
CH-11	11.0	3.9	9.4	4.8	3.0	5.4	2.4	
CH-16DK	18.0	3.6	6.7	4.5	3.8	5.0	1.0	500



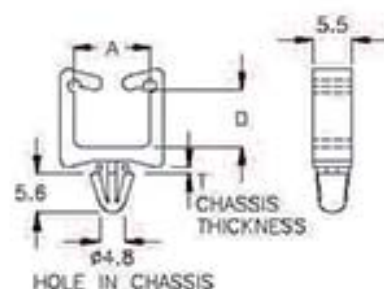
6-61-1

隔離束線座 WIRE SADDLE



MATERIAL: NYLON 66(UL)
FLAME CLASS: 94V-2
COLOR: NATURAL, BLACK

PART NO.	A	D	T CHASSIS THICKNESS	PACKAGE
CAC-10A	10.8	8.1	1.0	500



6-61-2

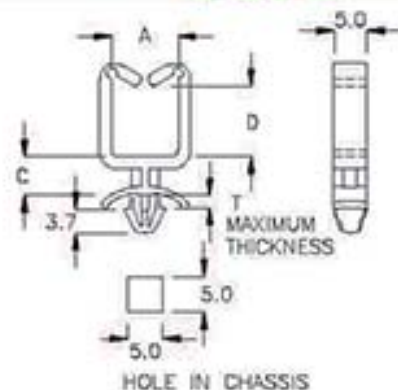
隔離束線座 WIRE SADDLE



MATERIAL: NYLON 66(UL)
FLAME CLASS: 94V-2
COLOR: NATURAL, BLACK

Built-In Anti-Spin Function

PART NO.	A	C	D	T MAXIMUM THICKNESS	PACKAGE
CHL-02	10.0	5.7	10.0	1.6	500



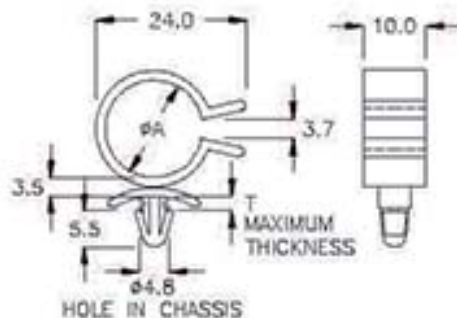
6-61-3

隔離束線座 WIRE SADDLE



MATERIAL: NYLON 66(UL)
FLAME CLASS: 94V-2
COLOR: NATURAL

PART NO.	A	T MAXIMUM THICKNESS	PACKAGE
CH-20	φ15.5	1.6	500



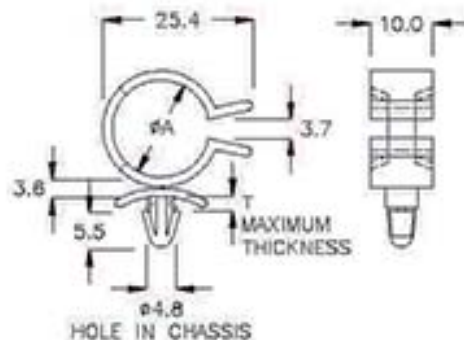
6-61-4

隔離束線座 WIRE SADDLE



MATERIAL: NYLON 66(UL)
FLAME CLASS: 94V-2
COLOR: NATURAL

PART NO.	A	T MAXIMUM THICKNESS	PACKAGE
CH-20C	φ15.0	1.6	500



6-62-1

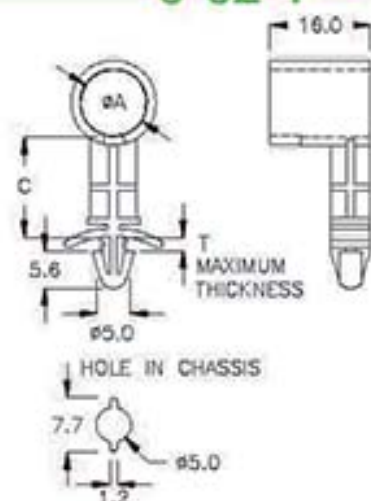
隔離束線座 WIRE SADDLE



MATERIAL: NYLON 66(UL)
FLAME CLASS: 94V-2
COLOR: NATURAL

Built-In Anti-Spin Function

PART NO	A	C	T MAXIMUM THICKNESS	PACKAGE
CSK-6A	ø9.8	6.4	1.6	500
CSK-26A	ø9.8	27.0	1.6	



6-62-2

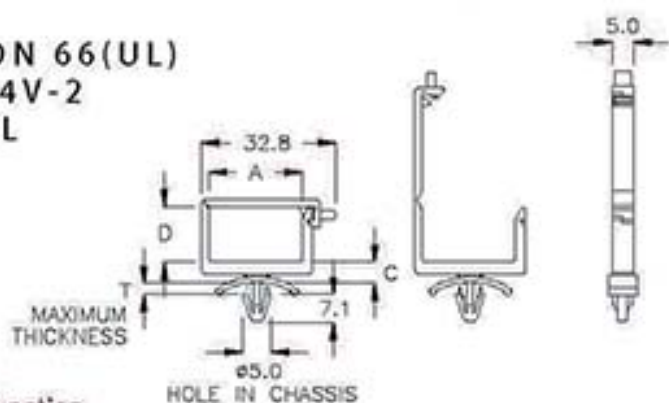
隔離束線座 WIRE SADDLE



MATERIAL: NYLON 66(UL)
FLAME CLASS: 94V-2
COLOR: NATURAL

Built-In Anti-Spin Function
WITH LOCK FEATURE

PART NO	A	C	D	T MAXIMUM THICKNESS	PACKAGE
CH-20A	22.9	5.3	14.2	3.2	500



6-62-3

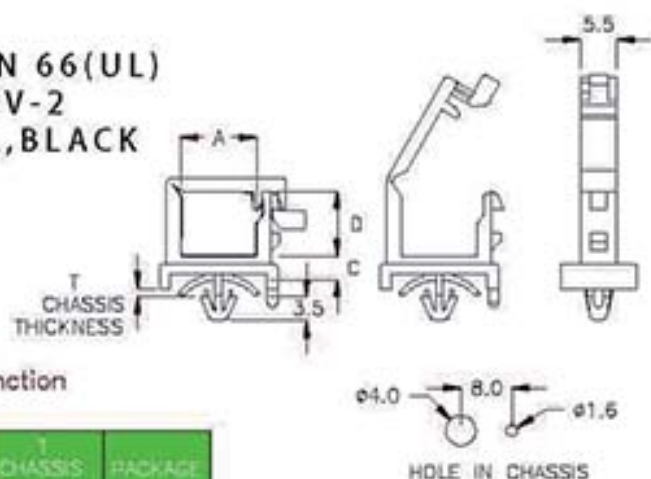
隔離束線座 WIRE SADDLE



MATERIAL: NYLON 66(UL)
FLAME CLASS: 94V-2
COLOR: NATURAL, BLACK

Built-In Anti-Spin Function
WITH LOCK FEATURE

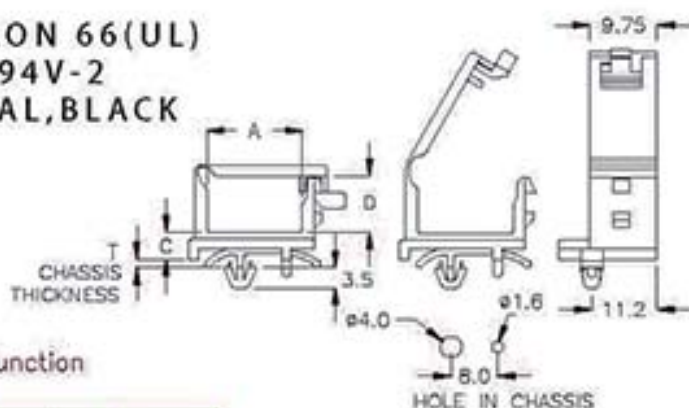
PART NO	A	C	D	T CHASSIS THICKNESS	PACKAGE
CKS-10A	11.0	4.8	9.5	0.8~1.0	500



隔離束線座 WIRE SADDLE



MATERIAL: NYLON 66(UL)
FLAME CLASS: 94V-2
COLOR: NATURAL, BLACK



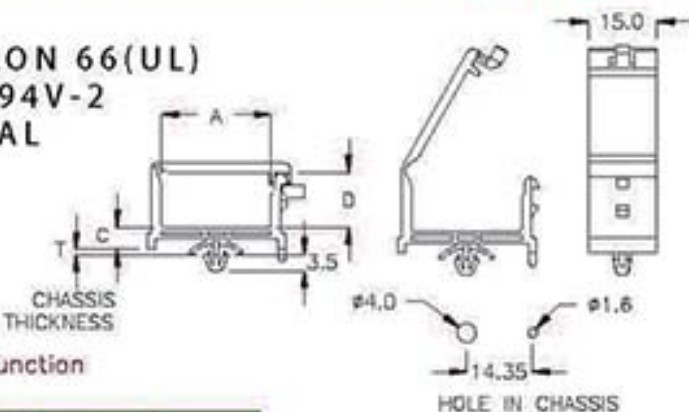
Built-In Anti-Spin Function
WITH LOCK FEATURE

PART NO	A	C	D	T CHASSIS THICKNESS	PACKAGE
CKS-16C	16.0	4.6	9.5	0.8~1.0	500

隔離束線座 WIRE SADDLE



MATERIAL: NYLON 66(UL)
FLAME CLASS: 94V-2
COLOR: NATURAL



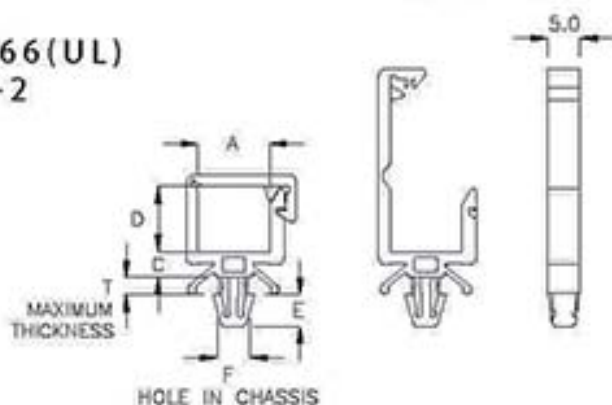
Built-In Anti-Spin Function
WITH LOCK FEATURE

PART NO	A	C	D	T CHASSIS THICKNESS	PACKAGE
CKS-24	24.0	4.7	12.0	0.8~1.0	200

隔離束線座 WIRE SADDLE



MATERIAL: NYLON 66(UL)
FLAME CLASS: 94V-2
COLOR: NATURAL



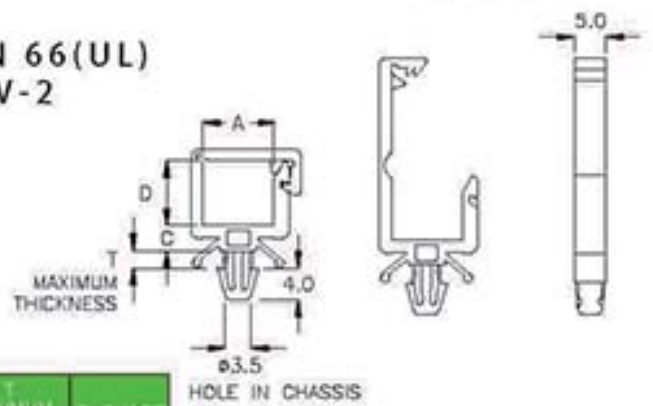
Include Lock Function

PART NO	A	C	D	E	F	T MAXIMUM THICKNESS	PACKAGE
CK-5	11.0	4.0	5.2	5.1	4.8~5	2.4	500
CK-10	11.0	4.0	10.2	5.1	4.8~5	2.4	
CK-13HJ	22.8	4.0	13.6	4.9	4.8	0.5~1.0	
CK-014	16.0	4.0	14.4	5.1	4.8~5	2.4	

隔離束線座 WIRE SADDLE



MATERIAL: NYLON 66(UL)
FLAME CLASS: 94V-2
COLOR: NATURAL



WITH LOCK FEATURE

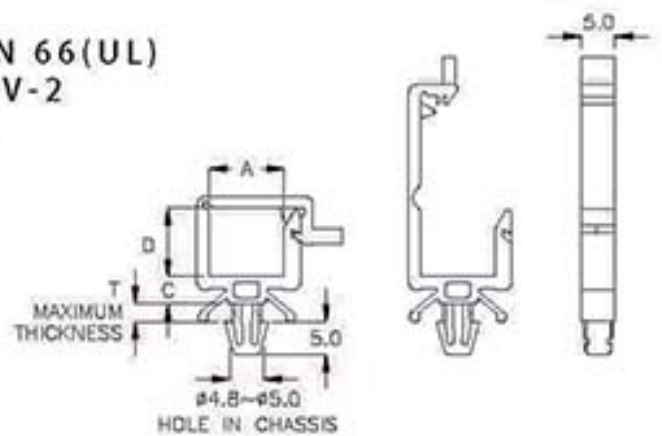
PART NO	A	C	D	T MAXIMUM THICKNESS	PACKAGE
CHJ-05	11.0	4.0	5.2	2.4	500
CHJ-10	11.0	4.0	10.2	2.4	

φ3.5
HOLE IN CHASSIS

隔離束線座 WIRE SADDLE



MATERIAL: NYLON 66(UL)
FLAME CLASS: 94V-2
COLOR: NATURAL



WITH LOCK FEATURE

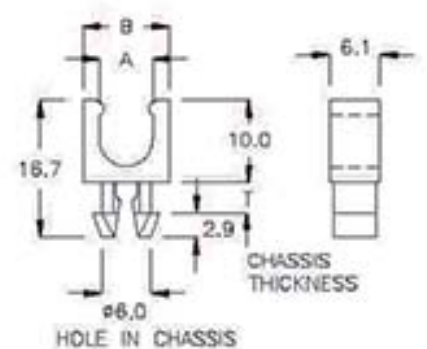
PART NO	A	C	D	T MAXIMUM THICKNESS	PACKAGE
CK-10A	11.0	4.0	10.4	2.4	500
CK-14A	16.0	4.0	14.0	2.4	

φ4.8~φ5.0
HOLE IN CHASSIS

隔離束線座 WIRE SADDLE



MATERIAL: NYLON 66(UL)
FLAME CLASS: 94V-2
COLOR: BLACK



PART NO	A	B	T CHASSIS THICKNESS	PACKAGE
CH-01	7.5	10.5	3.5	1000

φ6.0
HOLE IN CHASSIS

線材固定, 線材隔離 CABLE CLAMP, SADDLE

PINGOOD

6-65-1

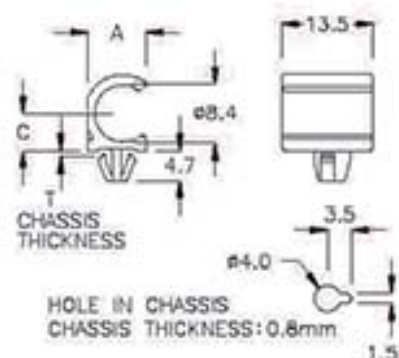
隔離束線座 WIRE SADDLE



MATERIAL: NYLON 66(UL)
FLAME CLASS: 94V-2
COLOR: NATURAL

Built-In Anti-Spin Function

PART NO	A	C	T CHASSIS THICKNESS	PACKAGE
CHK-01	8.6	5.4	0.8	500



6-65-2

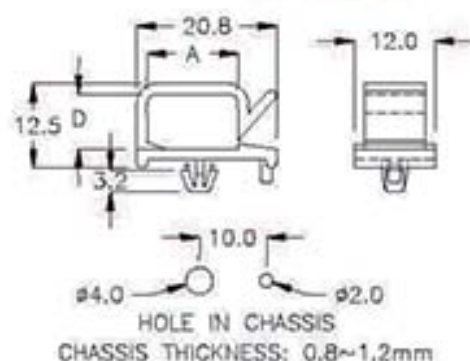
電線固定座 TIE MOUNT



MATERIAL: NYLON 66(UL)
FLAME CLASS: 94V-2
COLOR: NATURAL

Built-In Anti-Spin Function

PART NO	A	D	PACKAGE
FWS-01	13.6	8.2	500



6-65-3

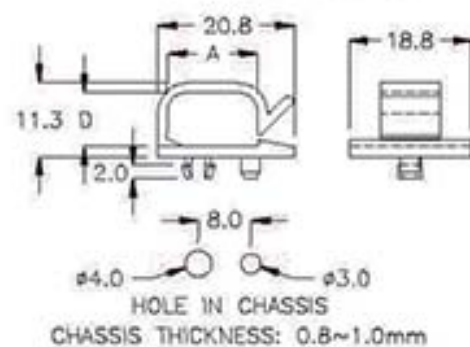
電線固定座 TIE MOUNT



MATERIAL: NYLON 66(UL)
FLAME CLASS: 94V-2
COLOR: NATURAL

Built-In Anti-Spin Function

PART NO	A	D	PACKAGE
FWS-02	13.8	8.3	500



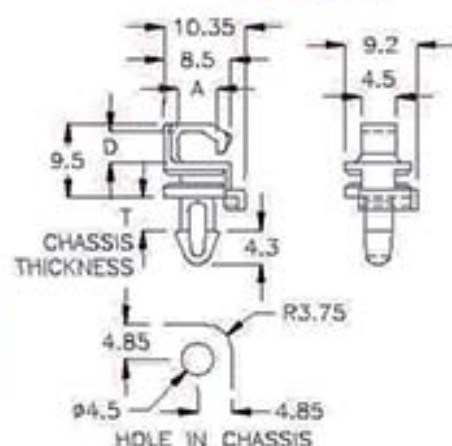
6-65-4

隔離束線座 WIRE SADDLE



MATERIAL: NYLON 66(UL)
FLAME CLASS: 94V-2
COLOR: BLACK

PART NO	A	D	T CHASSIS THICKNESS	PACKAGE
CYW-5K	5.0	4.0	4.0	1000



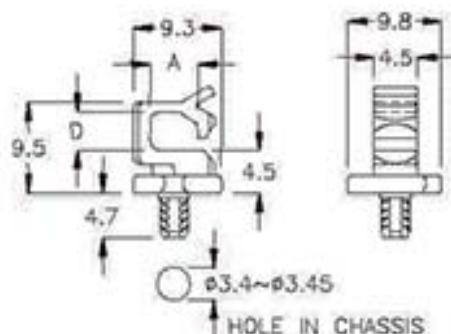
隔離束線座 WIRE SADDLE



MATERIAL: NYLON 66(UL)
FLAME CLASS: 94V-0
COLOR: NATURAL

NEW

PART NO	A	D	PACKAGE
★ CFK-14TS	5.0	4.0	1000



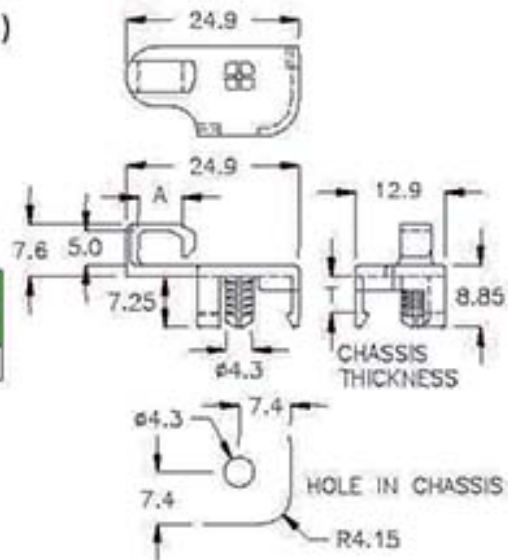
隔離束線座 WIRE SADDLE



MATERIAL: NYLON 66(UL)
FLAME CLASS: 94V-2
COLOR: BLACK

NEW

PART NO	A	T CHASSIS THICKNESS	PACKAGE
★ CYWF-24GH	6.35	5.0	500



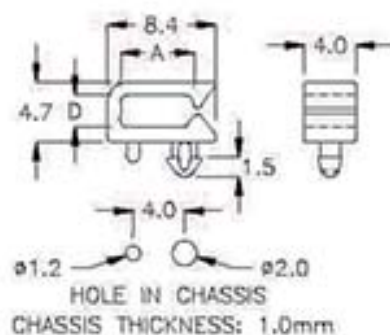
隔離束線座 WIRE SADDLE



MATERIAL: NYLON 66(UL)
FLAME CLASS: 94V-2
COLOR: NATURAL

Built-in Anti-Spin Function

PART NO	A	D	PACKAGE
CUA-BK	5.6	2.5	1000



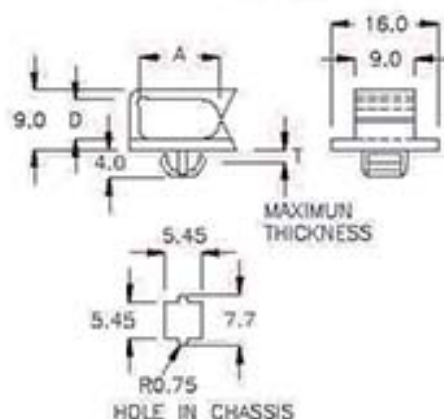
隔離束線座 WIRE SADDLE



MATERIAL: NYLON 66(UL)
FLAME CLASS: 94V-2
COLOR: NATURAL

Built-in Anti-Spin Function

PART NO	A	D	T MAXIMUM THICKNESS	PACKAGE
CU-04	12.0	6.0	1.0	500



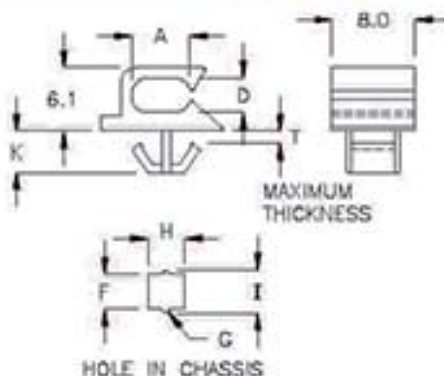
隔離束線座 WIRE SADDLE



MATERIAL: NYLON 66(UL)
FLAME CLASS: 94V-2
COLOR: BLACK

Built-in Anti-Spin Function

PART NO	A	D	F	G	H	I	K	T MAXIMUM THICKNESS	PACKAGE
CU-01H	5.6	3.3	4.2	R0.5	5.5	5.2	4.0	1.0	1000
CU-01K	5.6	3.3	4.2	R0.5	5.5	5.2	4.3	1.2	2000
CU-1RS	5.6	3.3	4.1	R0.55	4.3	5.1	4.3	1.1	1000



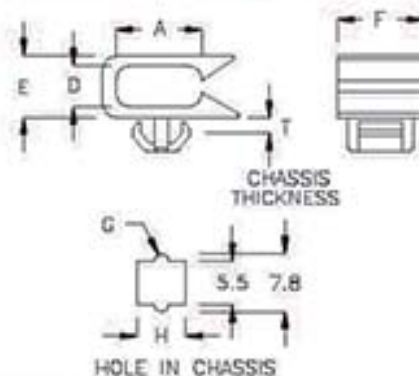
隔離束線座 WIRE SADDLE



MATERIAL: NYLON 66(UL)
FLAME CLASS: 94V-2
COLOR: NATURAL, BLACK

Built-in Anti-Spin Function

PART NO	A	D	E	F	G	H	T CHASSIS THICKNESS	PACKAGE
CU-2C	4.2	2.5	5.1	9.4	R0.9	6.2	1.0~1.2	1000
CU-03	10.0	4.8	7.2	10.0	R0.85	5.5	0.6~0.8	



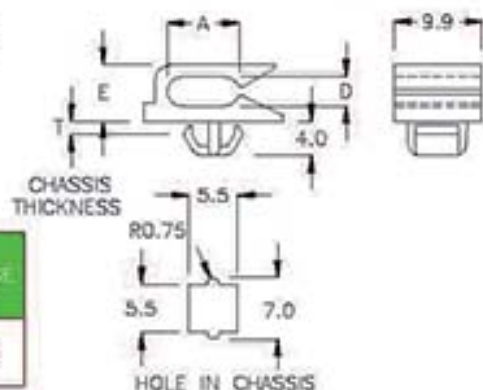
隔離束線座 WIRE SADDLE



MATERIAL: NYLON 66(UL)
FLAME CLASS: 94V-2
COLOR: NATURAL

Built-In Anti-Spin Function

PART NO.	A	D	E	T CHASSIS THICKNESS	PACKAGE
CU-01	8.2	3.3	6.4	0.8~1.0	1000
CU-01F	9.0	4.6	7.6	0.8~1.0	



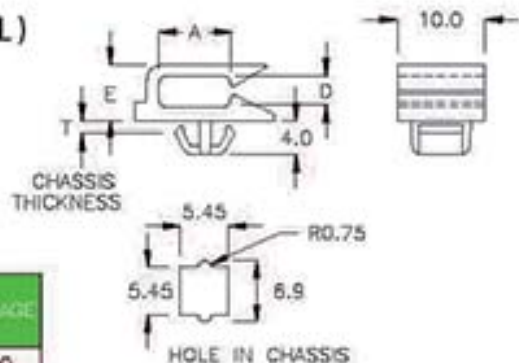
隔離束線座 WIRE SADDLE



MATERIAL: NYLON 66(UL)
FLAME CLASS: 94V-2
COLOR: NATURAL

Built-In Anti-Spin Function

PART NO.	A	D	E	T CHASSIS THICKNESS	PACKAGE
CU-01J	9.0	4.6	7.6	0.8~1.0	500



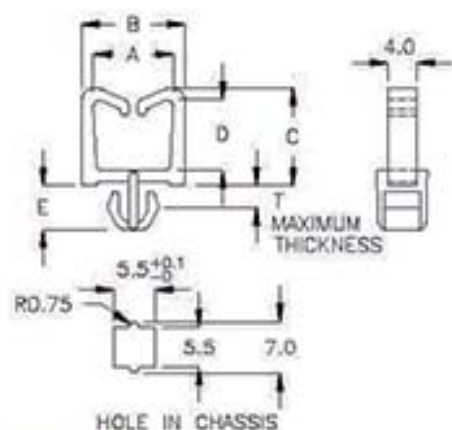
隔離束線座 WIRE SADDLE



MATERIAL: NYLON 66(UL)
FLAME CLASS: 94V-2
COLOR: NATURAL

Built-In Anti-Spin Function

PART NO.	A	B	C	D	E	T MAXIMUM THICKNESS	PACKAGE
CH-08	10.9	14.3	13.5	9.7	6.3	2.2	500
CH-08L	12.0	16.8	13.5	9.4	5.8	1.6	
CH-08A	11.0	14.3	15.7	12.0	6.1	2.2	



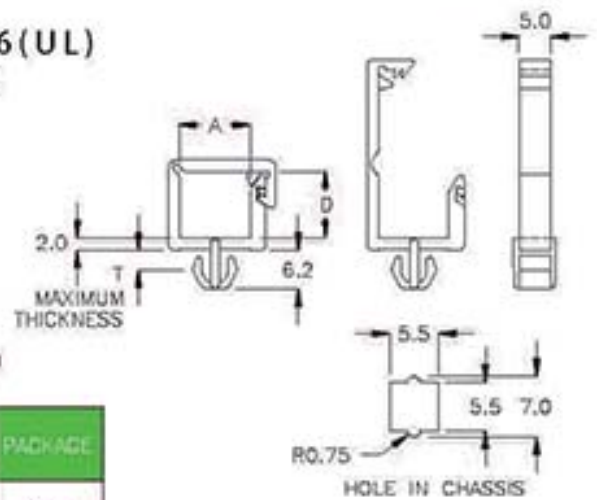
隔離束線座 WIRE SADDLE



MATERIAL: NYLON 66(UL)
FLAME CLASS: 94V-2
COLOR: NATURAL

Built-In Anti-Spin Function
WITH LOCK FEATURE

PART NO	A	D	T MAXIMUM THICKNESS	PACKAGE
CKH-11	11.1	10.5	2.0	500
CKH-13	16.0	14.5	2.0	



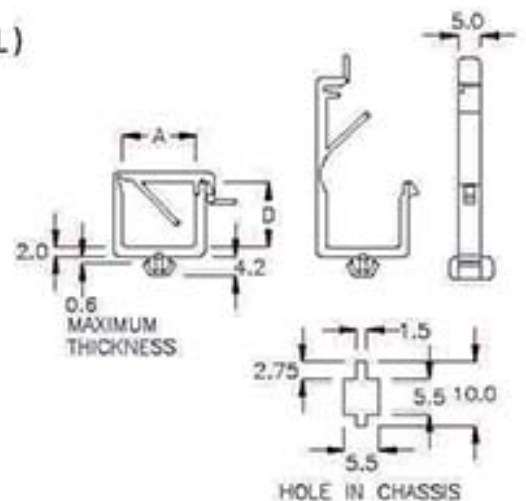
隔離束線座 WIRE SADDLE



MATERIAL: NYLON 66(UL)
FLAME CLASS: 94V-2
COLOR: NATURAL

Built-In Anti-Spin Function
WITH LOCK FEATURE

PART NO	A	D	PACKAGE
CYH-18C	18.0	14.0	500



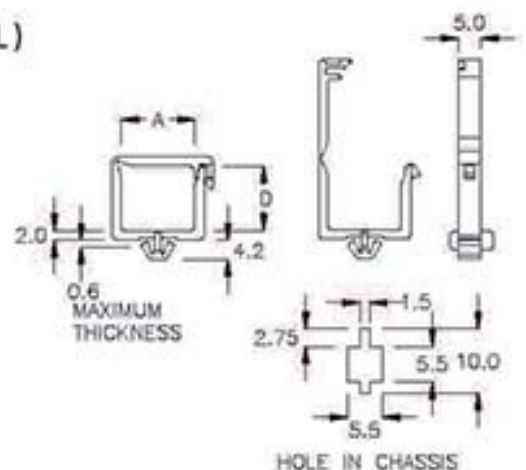
隔離束線座 WIRE SADDLE



MATERIAL: NYLON 66(UL)
FLAME CLASS: 94V-2
COLOR: NATURAL

Built-In Anti-Spin Function
WITH LOCK FEATURE

PART NO	A	D	PACKAGE
CYK-16G	16.0	14.0	500



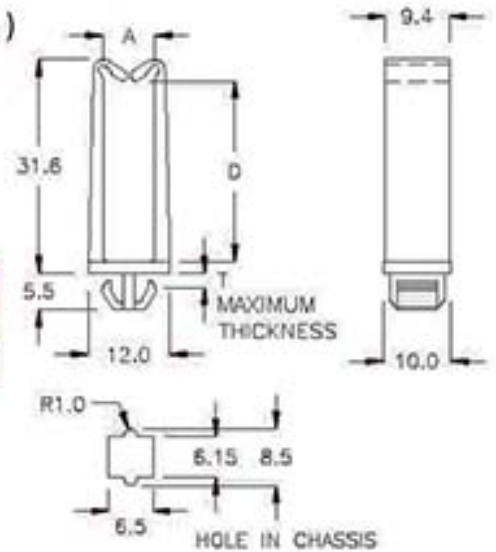
隔離束線座 WIRE SADDLE



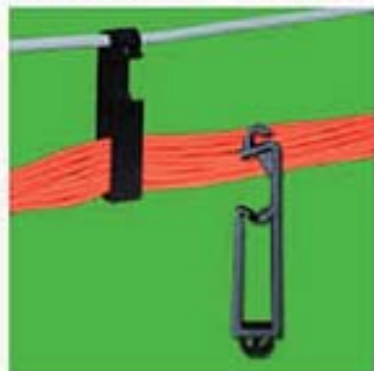
MATERIAL: NYLON 66(UL)
FLAME CLASS: 94V-2
COLOR: NATURAL

Built-In Anti-Spin Function

PART NO	A	D	T MAXIMUM THICKNESS	PACKAGE
CMB-7A	7.6	26.8	1.6	200



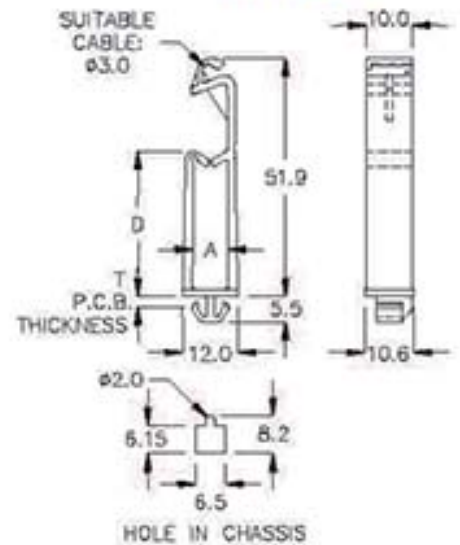
電線固定座 WIRE MOUNT



MATERIAL: NYLON 66(UL)
FLAME CLASS: 94V-2
COLOR: BLACK

Built-In Anti-Spin Function

PART NO	A	D	T CHASSIS THICKNESS	PACKAGE
CYS-7TK	7.6	31.6	1.2~1.6	100



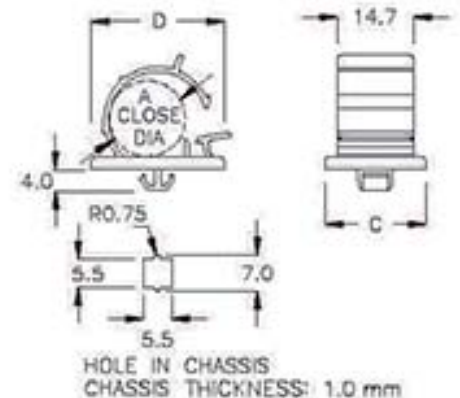
電線固定座 WIRE MOUNT



MATERIAL: NYLON 66(UL)
FLAME CLASS: 94V-2
COLOR: BLACK

Built-In Anti-Spin Function
 WITH LOCK FEATURE

PART NO	A	C	D	PACKAGE
CD-4	ø12.6	19.6	25.8	100



線材固定, 線材隔離 CABLE CLAMP, SADDLE

PINGOOD

6-71-1

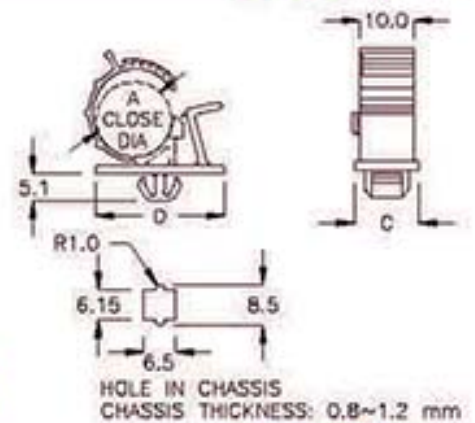
電線固定座 WIRE MOUNT



MATERIAL: NYLON 66(UL)
FLAME CLASS: 94V-2
COLOR: BLACK

Built-In Anti-Spin Function
WITH LOCK FEATURE

PART NO	A	C	D	PACKAGE
CDF-24	φ11.0~13.0	12.0	24.0	100



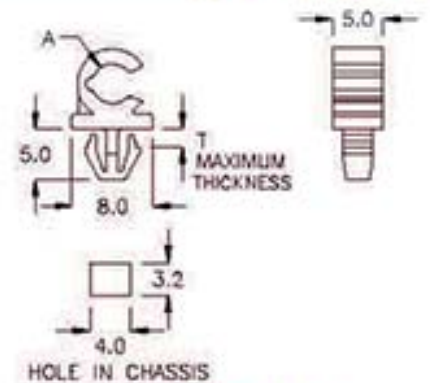
隔離束線座 WIRE SADDLE



MATERIAL: NYLON 66(UL)
FLAME CLASS: 94V-2
COLOR: NATURAL

Built-In Anti-Spin Function

PART NO	A	T MAXIMUM THICKNESS	PACKAGE
CH-04C	φ4.0	1.0	1000



6-71-3

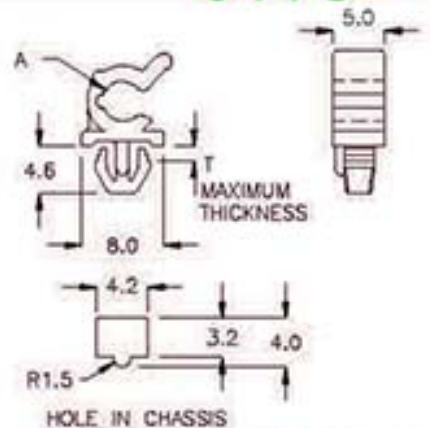
隔離束線座 WIRE SADDLE



MATERIAL: NYLON 66(UL)
FLAME CLASS: 94V-2
COLOR: NATURAL

Build-In Anti-Spin Function

PART NO	A	T MAXIMUM THICKNESS	PACKAGE
CNA-04F	φ4.0	1.0	1000



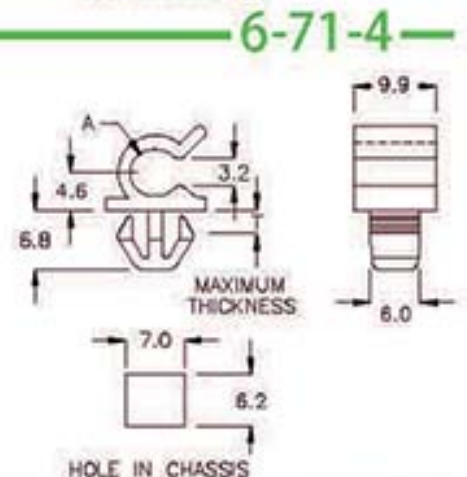
隔離束線座 WIRE SADDLE



MATERIAL: NYLON 66(UL)
FLAME CLASS: 94V-2
COLOR: NATURAL

Build-In Anti-Spin Function

PART NO	A	T MAXIMUM THICKNESS	PACKAGE
CH-06S	φ6.0	2.0	500



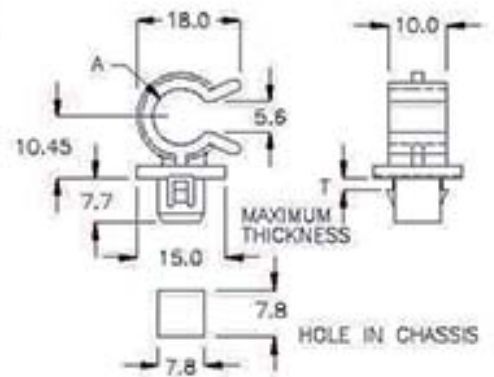
隔離束線座 WIRE SADDLE



MATERIAL: NYLON 66(UL)
FLAME CLASS: 94V-2
COLOR: NATURAL

Build-In Anti-Spin Function

PART NO	A	T MAXIMUM THICKNESS	PACKAGE
CH-09	ø9.7	1.8	200



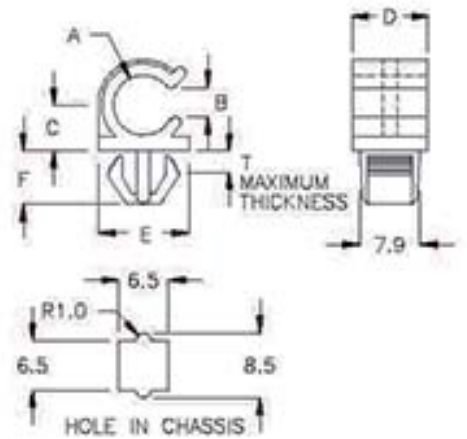
隔離束線座 WIRE SADDLE



MATERIAL: NYLON 66(UL)
FLAME CLASS: 94V-2
COLOR: NATURAL, BLACK

Build-In Anti-Spin Function

PART NO	A	B	C	D	E	F	T MAXIMUM THICKNESS	PACKAGE
CH-095	ø7.9	3.5	6.0	9.9	12.0	7.0	2.0	500
CH-09A	ø8.0	4.9	7.1	8.0	11.6	5.55	2.0	
CH-09C	ø9.5	3.8	6.75	9.9	13.5	7.0	2.0	



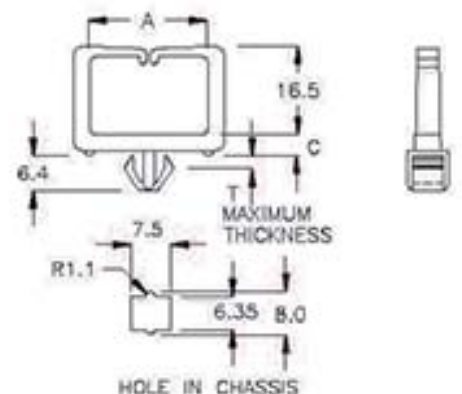
隔離束線座 WIRE SADDLE



MATERIAL: NYLON 66(UL)
FLAME CLASS: 94V-2
COLOR: NATURAL

Build-In Anti-Spin Function

PART NO	A	C	T MAXIMUM THICKNESS	PACKAGE
CHN-01	21.6	3.9	1.6	200



6-73-1

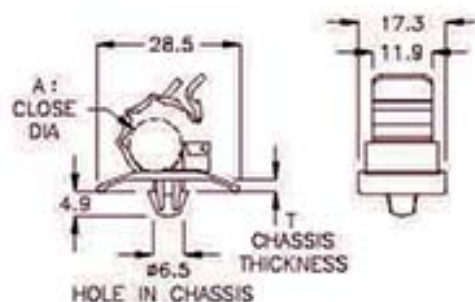


電線固定座 WIRE MOUNT

MATERIAL: NYLON 66(UL)
FLAME CLASS: 94V-2
COLOR: NATURAL, BLACK

WITH LOCK FEATURE

PART NO	A CLOSE DIA	T CHASSIS THICKNESS	PACKAGE
CCD-01	ø10.0	0.8~1.2	200



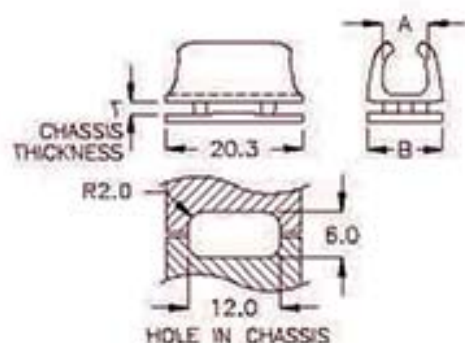
6-73-2



電線固定座 WIRE MOUNT

MATERIAL: PE
COLOR: BLACK

PART NO	A	B	T CHASSIS THICKNESS	PACKAGE
BAK-20A	6.7	11.0	1.8	500



6-73-3

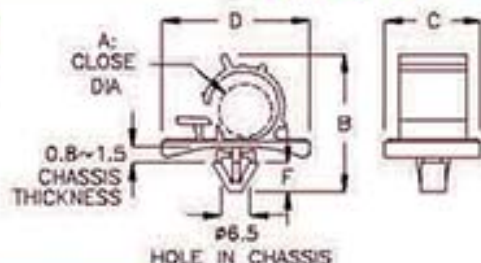


電線固定座 WIRE MOUNT

MATERIAL: NYLON 66(UL)
FLAME CLASS: 94V-2
COLOR: NATURAL

WITH LOCK FEATURE

PART NO	A	B	C	D	F	PACKAGE
CC-3	ø9.5	23.9	17.0	28.0	5.0	200
CC-3PH	ø7.8	24.9	19.0	21.0	4.8	
CC-4	ø13.5	32.0	19.4	30.3	5.2	100
CC-04A	ø17.0	33.7	19.3	30.2	5.1	



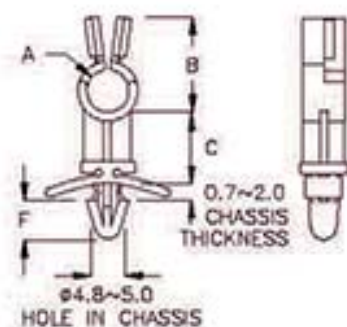
6-73-4



隔離束線座 WIRE SADDLE

MATERIAL: NYLON 66(UL)
FLAME CLASS: 94V-2
COLOR: NATURAL

PART NO	A	B	C	F	PACKAGE
CS-6	ø6.2	14.0	8.35	5.8	500
CS-12	ø6.2	14.0	13.0	5.9	



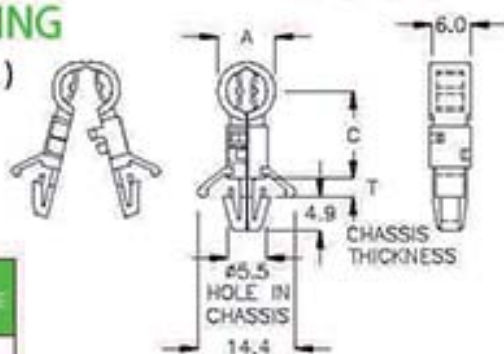
6-74-1



光纖固定座 FIBER HOUSING

MATERIAL: NYLON 66(UL)
FLAME CLASS: 94V-2
COLOR: NATURAL

PART NO.	A	C	T CHASSIS THICKNESS	PACKAGE
CCA-13	ø8.5	13.0	0.8~2.3	500



6-74-2

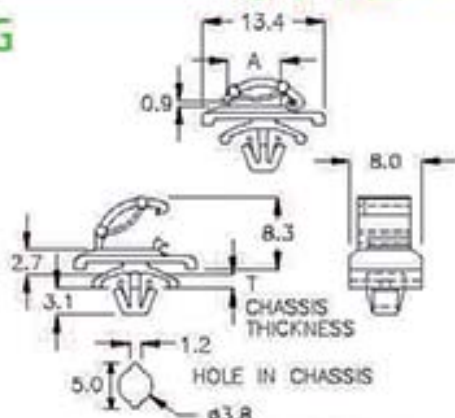


光纖固定座 FIBER HOUSING

MATERIAL: NYLON 66(UL)
FLAME CLASS: 94V-2
COLOR: NATURAL

Built-In Anti-Spin Function
WITH LOCK FEATURE

PART NO.	A	T CHASSIS THICKNESS	PACKAGE
CHX-01	6.0	0.8~1.6	1000
CHX-1A	6.0	0.8~2.5	



6-74-3

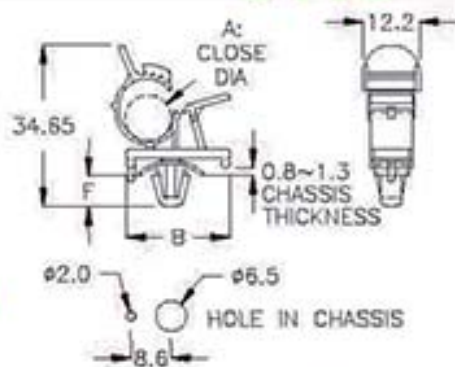


電線固定座 WIRE MOUNT

MATERIAL: NYLON 66(UL)
FLAME CLASS: 94V-2
COLOR: NATURAL

Built-In Anti-Spin Function
WITH LOCK FEATURE

PART NO.	A	F	B	PACKAGE
FWD-01	ø7.7~ø10.0	6.8	22.1	500
FWD-02	ø8.0~ø9.5	6.6	19.3	



6-74-4

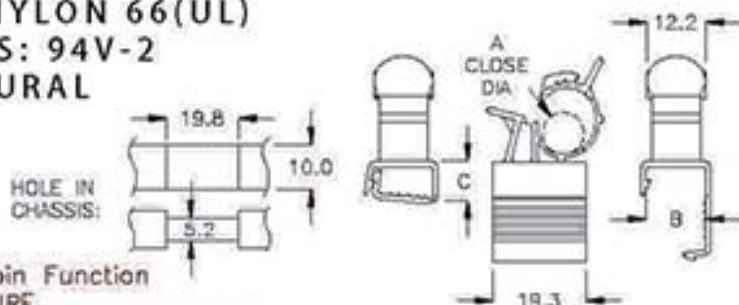


電線固定座 WIRE MOUNT

MATERIAL: NYLON 66(UL)
FLAME CLASS: 94V-2
COLOR: NATURAL

Built-In Anti-Spin Function
WITH LOCK FEATURE

PART NO.	A	B	C	PACKAGE
FWC-01	ø7.5~ø9.0	12.4	8.2	100



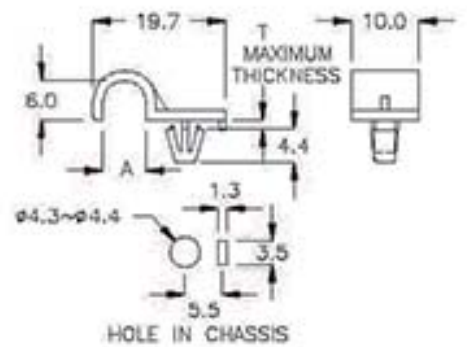
電線固定座 WIRE MOUNT



MATERIAL: NYLON 66(UL)
FLAME CLASS: 94V-2
COLOR: NATURAL

Built-In Anti-Spin Function
WITH LOCK FEATURE

PART NO	A	T MAXIMUM THICKNESS	PACKAGE
CU-06A	6.4	1.1	1000

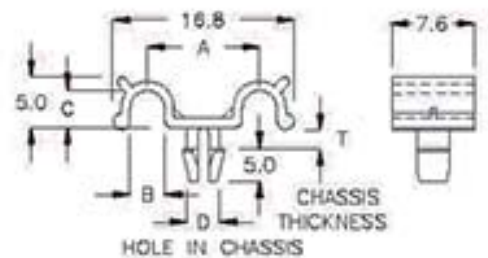


電線固定座 WIRE MOUNT



MATERIAL: NYLON 66(UL)
FLAME CLASS: 94V-2
COLOR: NATURAL

PART NO	A	B	C	D HOLE IN CHASSIS	T CHASSIS THICKNESS	PACKAGE
CIC-01	10.4	3.2	3.4	$\phi 3.2$	1.6~1.8	1000



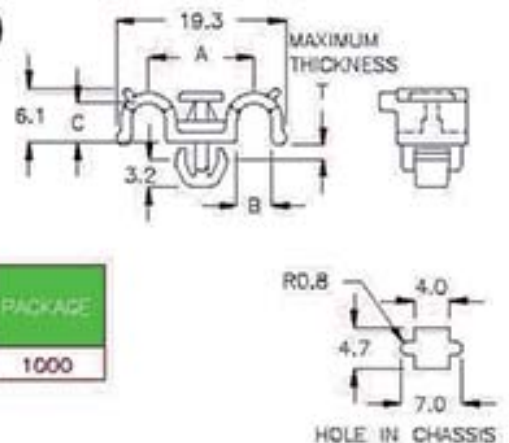
電線固定座 WIRE MOUNT



MATERIAL: NYLON 66(UL)
FLAME CLASS: 94V-2
COLOR: NATURAL

Built-In Anti-Spin Function

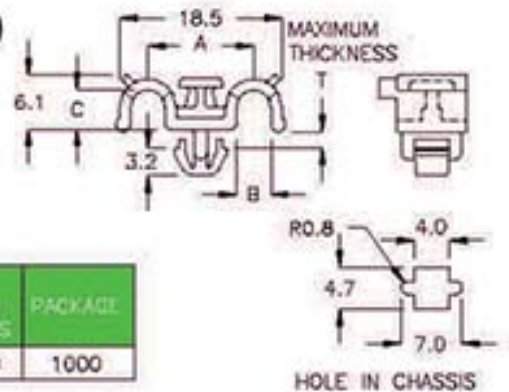
PART NO	A	B	C	T MAXIMUM THICKNESS	PACKAGE
CIS-18K	12.0	3.95	4.5	1.5	1000



電線固定座 WIRE MOUNT



MATERIAL: NYLON 66(UL)
FLAME CLASS: 94V-2
COLOR: NATURAL



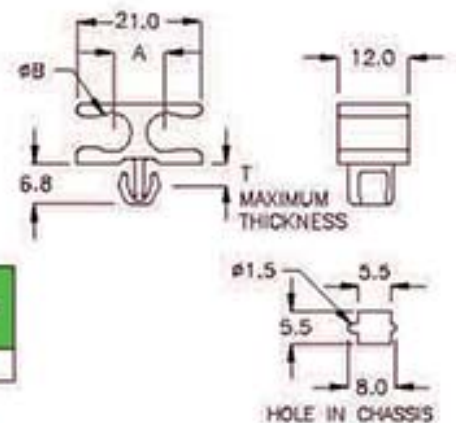
Built-In Anti-Spin Function

PART NO	A	B	C	T MAXIMUM THICKNESS	PACKAGE
CIS-18RS	12.0	3.95	4.5	1.6~2.0	1000

電線固定座 WIRE MOUNT



MATERIAL: NYLON 66(UL)
FLAME CLASS: 94V-2
COLOR: NATURAL



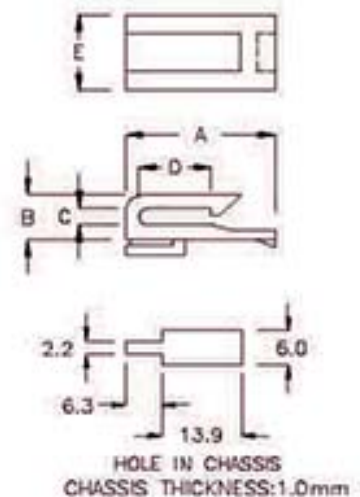
Built-In Anti-Spin Function

PART NO	A	B	T MAXIMUM THICKNESS	PACKAGE
CIK-21	8.7	6.5	2.5	500

電線固定座 WIRE MOUNT



MATERIAL: NYLON 66(UL)
FLAME CLASS: 94V-2
COLOR: NATURAL



Built-In Anti-Spin Function

PART NO	A	B	C	D	E	PACKAGE
LFE-01	20.1	6.0	2.2	9.7	10.0	1000

6-77-1

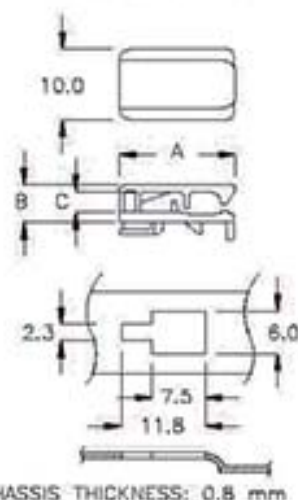
電線固定座 WIRE MOUNT



MATERIAL: NYLON 66(UL)
FLAME CLASS: 94V-2
COLOR: NATURAL

Built-In Anti-Spin Function

PART NO	A	B	C	PACKAGE
LPK-16A	16.5	5.3	2.85	1000

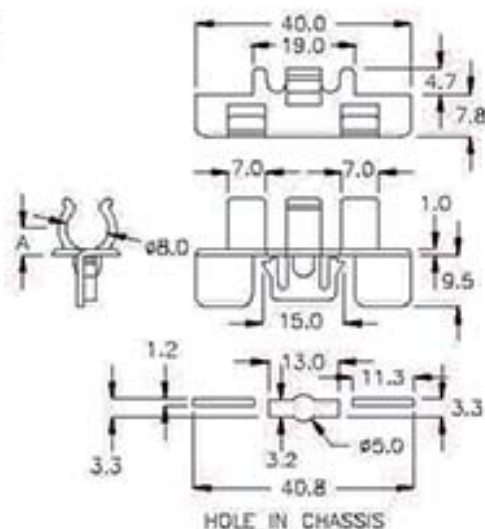


隔離束線座 WIRE SADDLE



MATERIAL: NYLON 66(UL)
FLAME CLASS: 94V-2
COLOR: BLACK

PART NO	A	B	PACKAGE
CHY-01	5.0	12.5	500



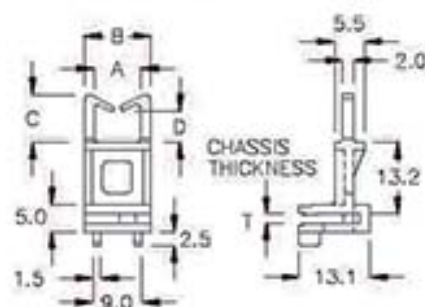
6-77-3

電線固定座 WIRE MOUNT



MATERIAL: NYLON 66(UL)
FLAME CLASS: 94V-2
COLOR: NATURAL

PART NO	A	B	C	D	T CHASSIS THICKNESS	PACKAGE
CNG-13	8.5	12.0	8.8	5.5	1.6	500

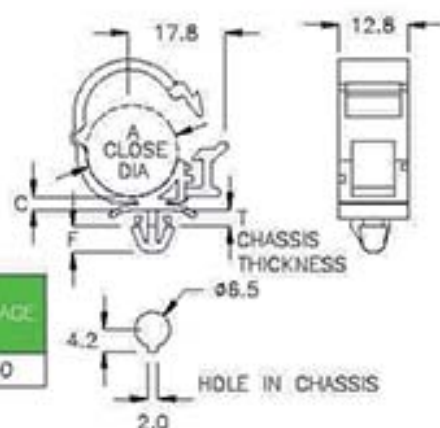


電線固定座 WIRE MOUNT



MATERIAL: NYLON 66(UL)
FLAME CLASS: 94V-2
COLOR: BLACK

PART NO	A	C	T CHASSIS THICKNESS	F	PACKAGE
CCF-17RS	ø17.0	2.3	0.8	4.8	100



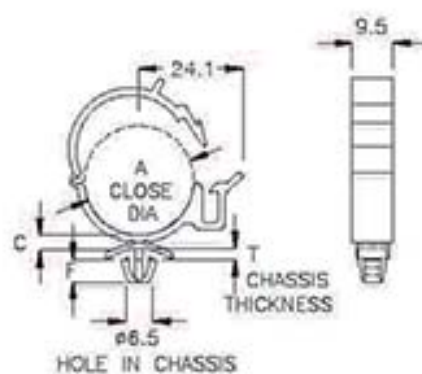
電線固定座 WIRE MOUNT



MATERIAL: NYLON 66(UL)
FLAME CLASS: 94V-2
COLOR: NATURAL

WITH LOCK FEATURE

PART NO	A	C	T CHASSIS THICKNESS	F	PACKAGE
CKL-25	ø25.4	3.6	0.8~1.8	5.6	100
GKL-25A	ø25.4	3.6	2.5~3.0	5.7	

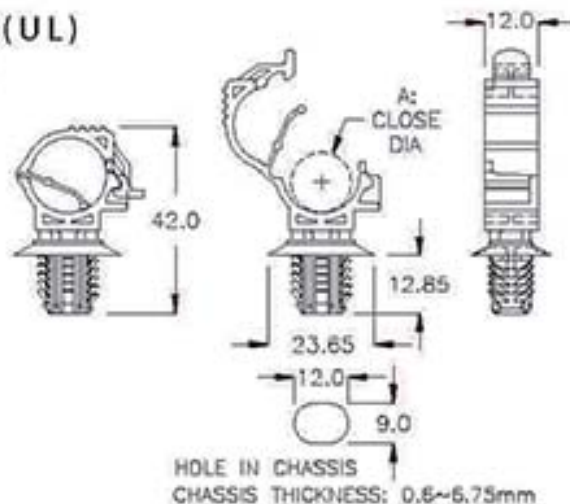


電線固定座 WIRE MOUNT



MATERIAL: NYLON 66(UL)
FLAME CLASS: 94V-2
COLOR: BLACK

PART NO	A	PACKAGE
CKJM-16HQ	ø10.0	100

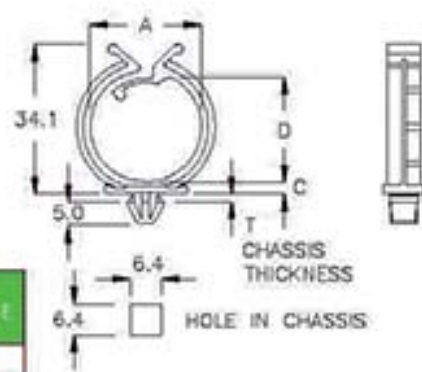


隔離束線座 WIRE SADDLE



MATERIAL: NYLON 66(UL)
FLAME CLASS: 94V-2
COLOR: NATURAL

PART NO	A	C	D	T CHASSIS THICKNESS	PACKAGE
TDH-25	25.5	2.55	24.0	0.8~1.2	200

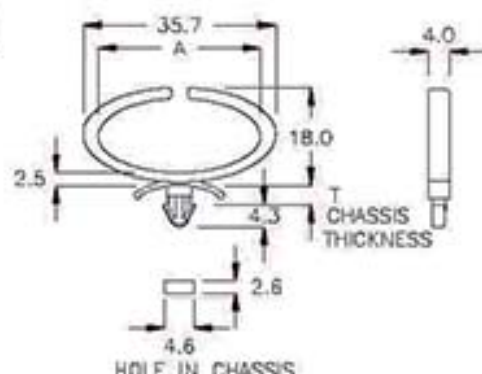


隔離束線座 WIRE SADDLE



MATERIAL: NYLON 66(UL)
FLAME CLASS: 94V-2
COLOR: BLACK

PART NO	A	T CHASSIS THICKNESS	PACKAGE
CHP-2A	29.9	1.2~2.8	500

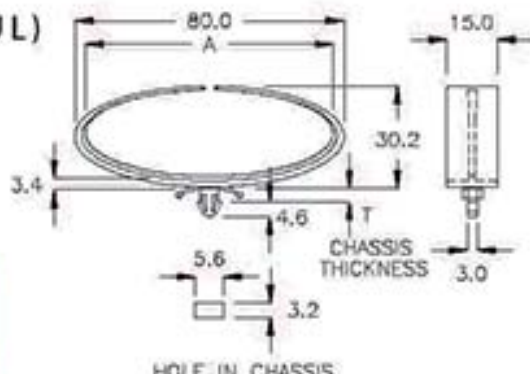


隔離束線座 WIRE SADDLE



MATERIAL: NYLON 66(UL)
FLAME CLASS: 94V-2
COLOR: BLACK

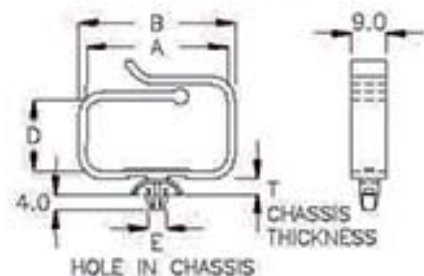
PART NO	A	T CHASSIS THICKNESS	PACKAGE
CHP-8A	73.5	2.5~3.0	100



隔離束線座 WIRE SADDLE



MATERIAL: NYLON 66(UL)
FLAME CLASS: 94V-2
COLOR: BLACK

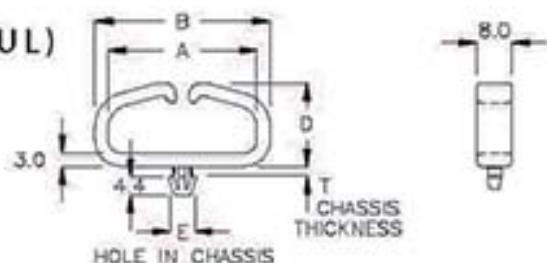


PART NO	A	B	D	E	HOLE IN CHASSIS	T	CHASSIS THICKNESS	PACKAGE
CND-40	36.0	40.0	18.1	4.8	4.8	1.3~2.8		200

隔離束線座 WIRE SADDLE



MATERIAL: NYLON 66(UL)
FLAME CLASS: 94V-2
COLOR: NATURAL

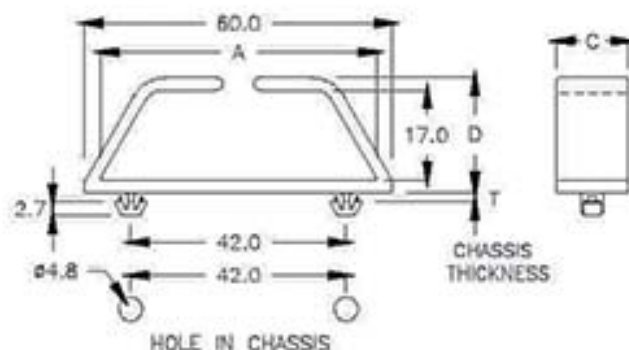


PART NO	A	B	D	E	HOLE IN CHASSIS	T	CHASSIS THICKNESS	PACKAGE
CKQ-40	33.8	39.8	18.5	4.9~5.0	4.9~5.0	1.8~2.0		500
CKQ-44	41.6	48.8	23.4	4.9~5.0	4.9~5.0	1.8~2.0		200
CKQ-55	49.0	55.0	18.3	4.9~5.0	4.9~5.0	1.8~2.0		200

隔離束線座 WIRE SADDLE



MATERIAL: NYLON 66(UL)
FLAME CLASS: 94V-2
COLOR: BLACK

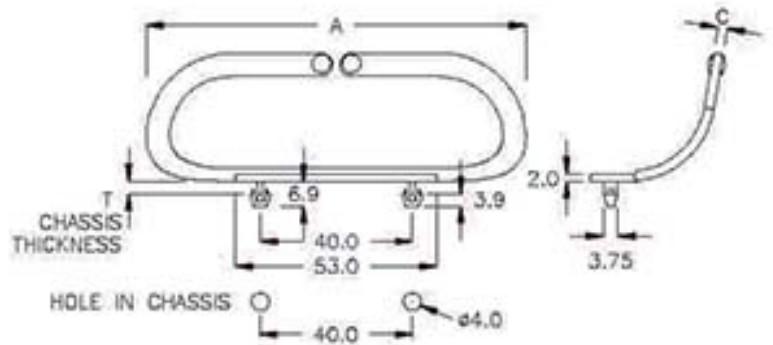


PART NO	A	C	D	T	CHASSIS THICKNESS	PACKAGE
CKO-60	53.8	14.0	22.0	1.5	1.5	200

隔離束線座 WIRE SADDLE



MATERIAL: PP
COLOR: NATURAL

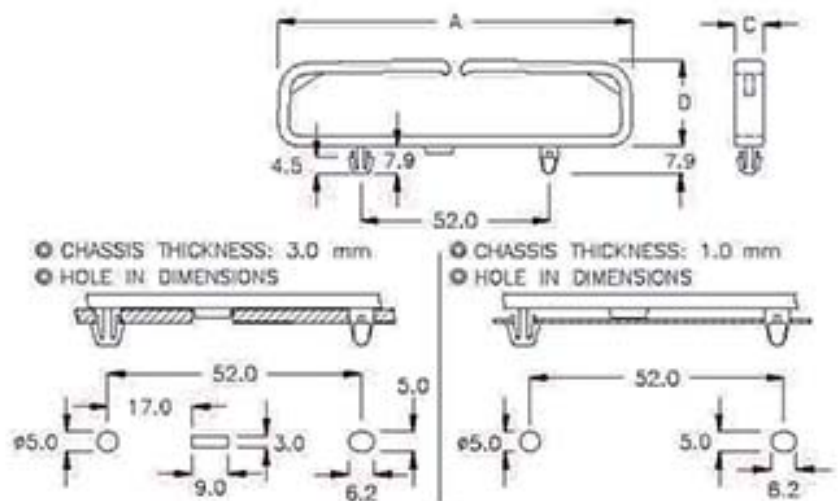


PART NO	A	C	T, CHASSIS THICKNESS	PACKAGE
CKF-40	100.0	2.5	3.0	100

隔離束線座 WIRE SADDLE



MATERIAL: NYLON 66(UL)
FLAME CLASS: 94V-2
COLOR: NATURAL



PART NO	A	C	D	PACKAGE
CKQ-98	98.0	8.0	24.0	100

隔離束線座 WIRE SADDLE

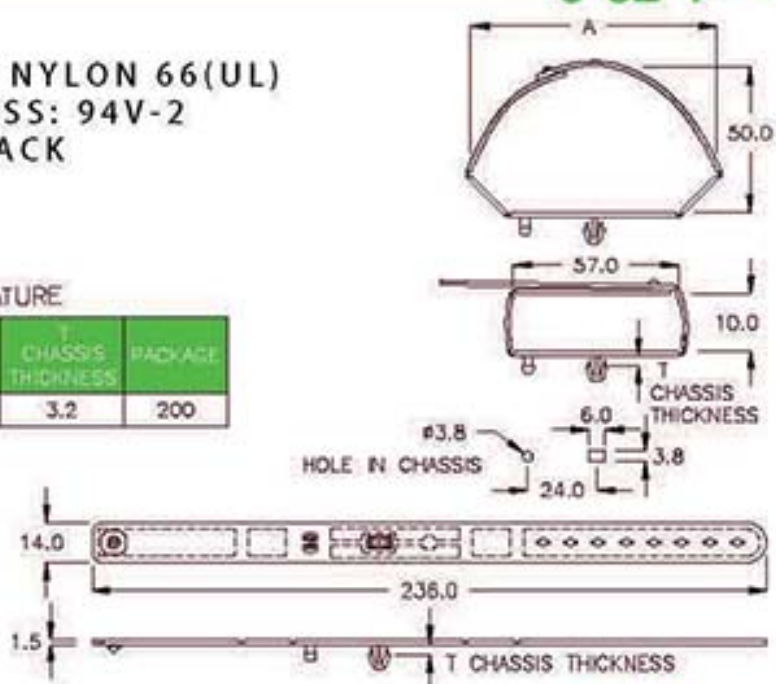


MATERIAL: NYLON 66(UL)
FLAME CLASS: 94V-2
COLOR: BLACK

WITH LOCK FEATURE

PART NO	A	T CHASSIS THICKNESS	PACKAGE
BSR-235	80.0	3.2	200

6-82-1



隔離束線座 WIRE SADDLE

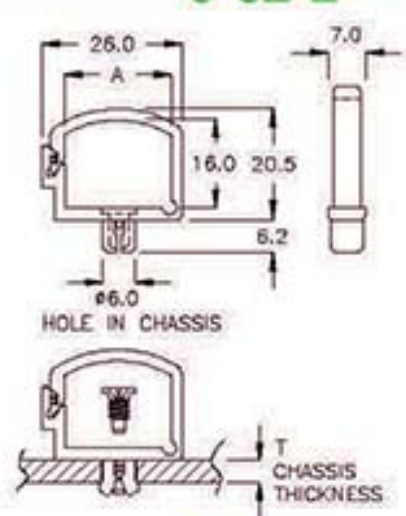


MATERIAL: NYLON 66(UL)
FLAME CLASS: 94V-2
COLOR: NATURAL

WITH LOCK FEATURE

PART NO	A	T CHASSIS THICKNESS	PACKAGE
CKP-16	20.0	1.6~2.6	500

6-82-2



電線固定座 WIRE MOUNT

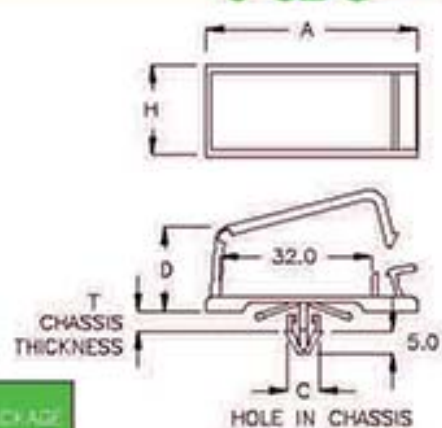


MATERIAL: NYLON 66(UL)
FLAME CLASS: 94V-2
COLOR: NATURAL

WITH LOCK FEATURE

PART NO	A	C	D	H	T CHASSIS THICKNESS	PACKAGE
FWH-01	44.8	6.4	17.5	18.8	1.8~3.2	200
FWH-02	44.5	6.3	12.3	19.0	0.5~1.8	

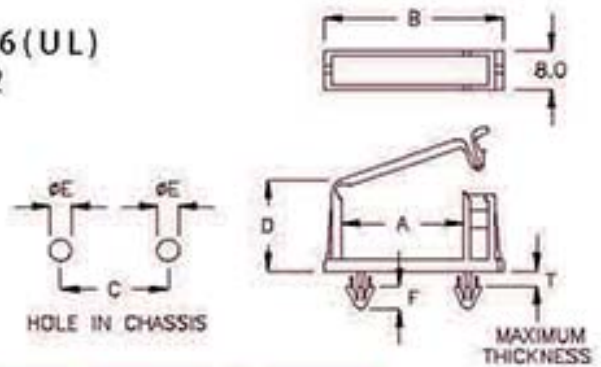
6-82-3



電線固定座 WIRE MOUNT



MATERIAL: NYLON 66(UL)
FLAME CLASS: 94V-2
COLOR: NATURAL



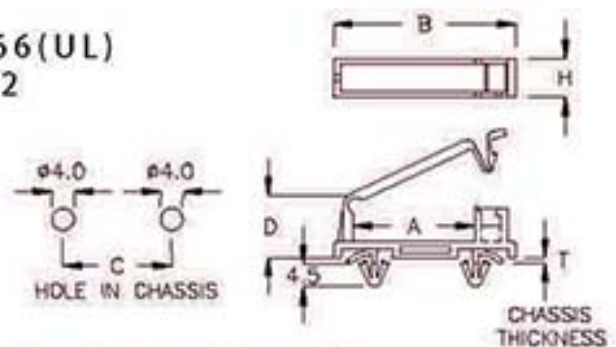
WITH LOCK FEATURE

PART NO	A	B	C	D	E	T MAXIMUM THICKNESS	F	PACKAGE
CKK-03	19.1	31.0	16.0	18.6	4.0	3.0	4.9	500
CKK-3A	16.6	28.0	16.0	18.8	4.0	3.0	4.9	
CKK-3C	16.6	28.0	16.0	17.7	4.0	1.0	4.9	
CKK-04	24.1	34.3	20.0	17.9	4.0	3.0	4.9	
CKK-05	24.1	36.0	20.0	12.2	4.0	3.0	4.8	

電線固定座 WIRE MOUNT



MATERIAL: NYLON 66(UL)
FLAME CLASS: 94V-2
COLOR: NATURAL



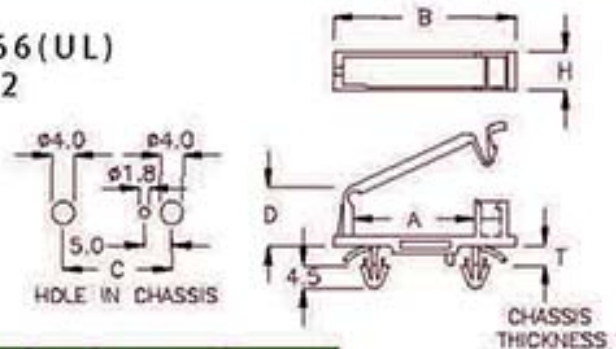
WITH LOCK FEATURE

PART NO	A	B	C	D	H	T CHASSIS THICKNESS	PACKAGE
CKK-3F	16.6	27.0	16.0	17.3	15.0	0.8~1.0	200
CKK-05A	24.1	36.0	20.0	12.4	8.0	0.8~1.0	500
CKK-05D	28.1	40.0	20.0	13.3	8.0	0.8~1.0	

電線固定座 WIRE MOUNT



MATERIAL: NYLON 66(UL)
FLAME CLASS: 94V-2
COLOR: NATURAL



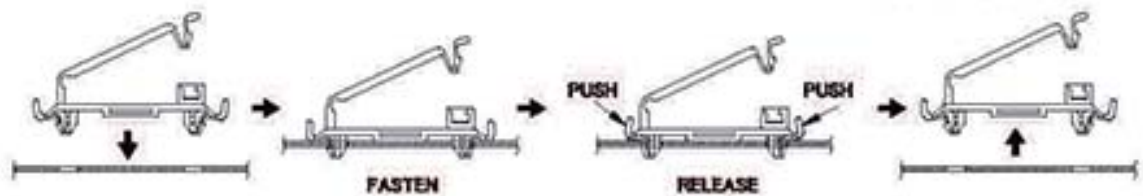
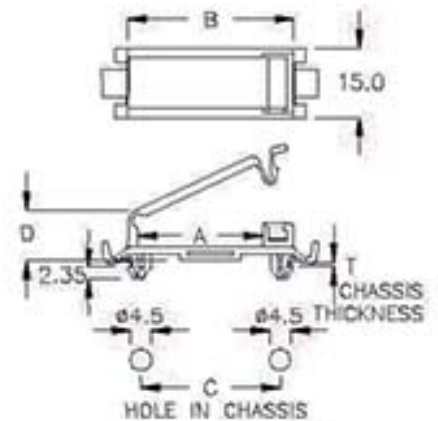
WITH LOCK FEATURE

PART NO	A	B	C	D	H	T CHASSIS THICKNESS	PACKAGE
CKK-05C	24.1	36.0	20.0	12.4	8.0	0.8~2.0	500

電線固定座 WIRE MOUNT



MATERIAL: NYLON 66(UL)
 FLAME CLASS: 94V-2
 COLOR: NATURAL
 可由板上拆卸



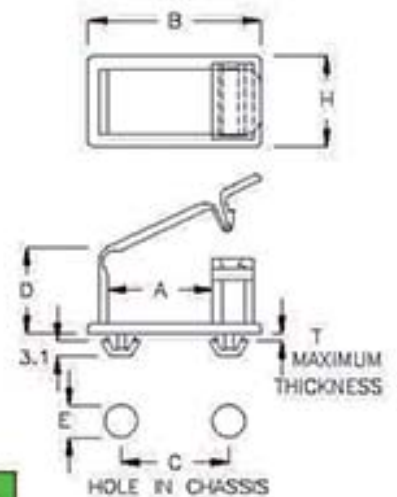
WITH LOCK FEATURE

PART NO	A	B	C	D	T CHASSIS THICKNESS	PACKAGE
CXR-27A	27.0	36.0	30.0	10.9	0.8	200

電線固定座 WIRE MOUNT



MATERIAL: NYLON 66(UL)
 FLAME CLASS: 94V-2
 COLOR: NATURAL



WITH LOCK FEATURE

PART NO	A	B	C	D	E	H	T MAXIMUM THICKNESS	PACKAGE
CKK-08	19.4	31.9	20.0	15.2	ø6.0	16.8	1.0	500
CKK-5K	24.1	36.0	20.0	8.9	ø4.0	8.0	1.0	

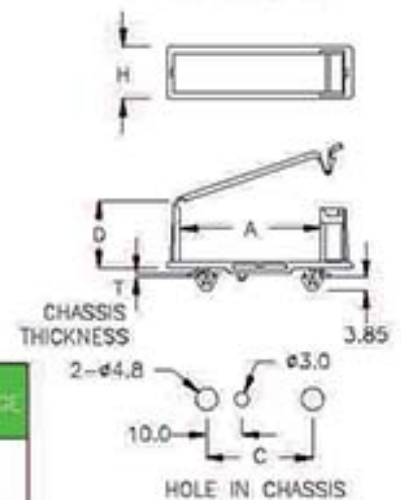
電線固定座 WIRE MOUNT



MATERIAL: NYLON 66(UL)
FLAME CLASS: 94V-2
COLOR: NATURAL, BLACK

WITH LOCK FEATURE

PART NO	A	C	D	H	T CHASSIS THICKNESS	PACKAGE
CYA-40	40.0	30.0	10.3	15.0	0.8~1.0	100
CYA-40KM	40.0	33.0	23.4	15.0	0.8~1.0	
CYA-40PS	40.0	33.0	23.4	15.0	1.2~1.4	
CYA-45	45.0	30.0	13.8	17.0	0.8~1.0	
CYA-45AM	45.0	33.0	33.6	17.0	0.8~1.0	

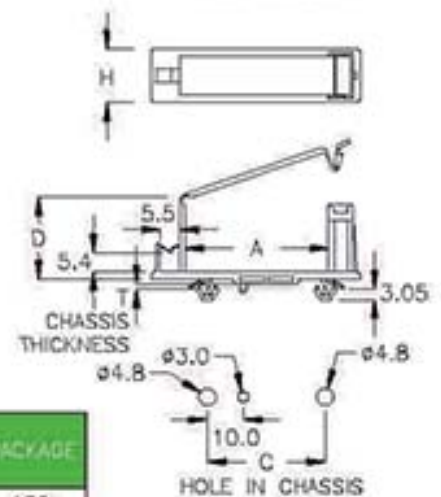


電線固定座 WIRE MOUNT



MATERIAL: NYLON 66(UL)
FLAME CLASS: 94V-2
COLOR: BLACK

PART NO	A	C	D	H	T CHASSIS THICKNESS	PACKAGE
CYG-40RT	40.0	33.0	23.2	15.0	0.8~1.0	100



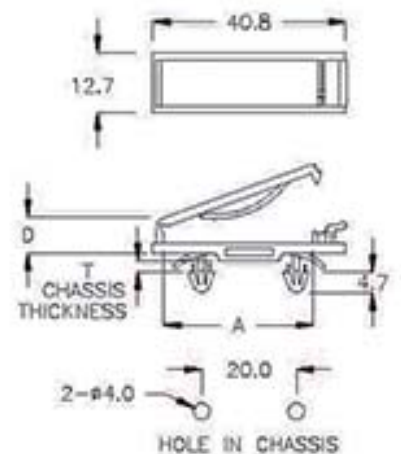
排線固定板 FLAT CABLE CLAMP



MATERIAL: NYLON 66(UL)
FLAME CLASS: 94V-2
COLOR: NATURAL

WITH LOCK FEATURE

PART NO	A	D	T CHASSIS THICKNESS	PACKAGE
FCC-20	31.3	7.1	0.8~2.0	500



6-86-1

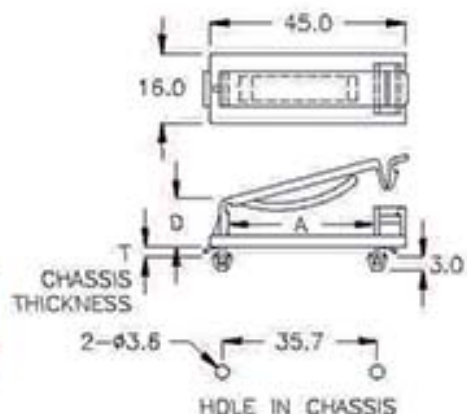
電線固定座 WIRE MOUNT



MATERIAL: NYLON 66(UL)
FLAME CLASS: 94V-2
COLOR: NATURAL

WITH LOCK FEATURE

PART NO	A	D	T CHASSIS THICKNESS	PACKAGE
FCS-20	33.6	10.7	1.4~1.6	200



排線固定板 FLAT CABLE CLAMP

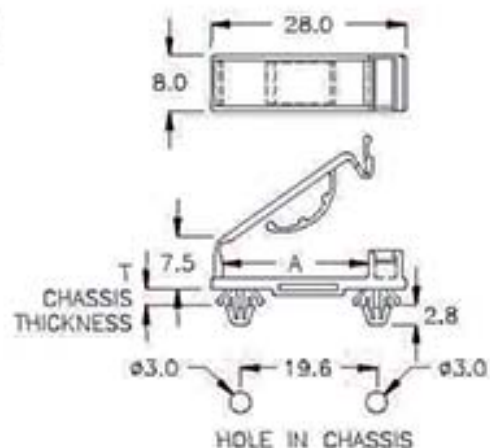


MATERIAL: NYLON 66(UL)
FLAME CLASS: 94V-2
COLOR: BLACK

NEW

WITH LOCK FEATURE

PART NO	A	D	T CHASSIS THICKNESS	PACKAGE
★ FCSD-21A	21.0	0.8~1.2	0.8~1.2	200



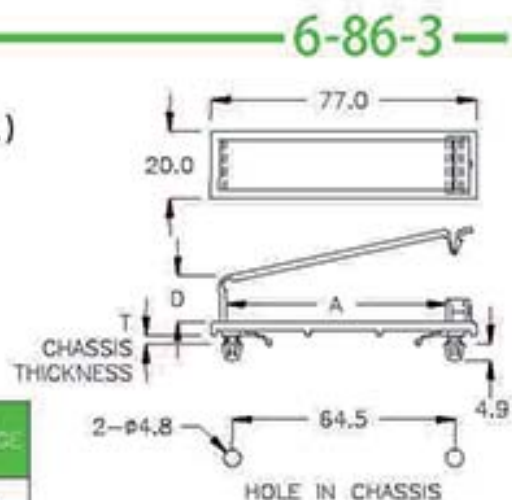
電線固定座 WIRE MOUNT



MATERIAL: NYLON 66(UL)
FLAME CLASS: 94V-2
COLOR: NATURAL

WITH LOCK FEATURE

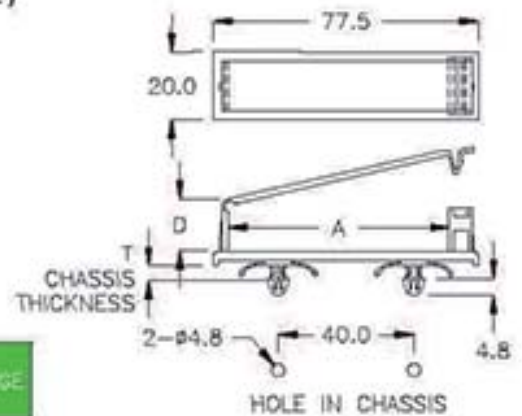
PART NO	A	D	T CHASSIS THICKNESS	PACKAGE
FAA-50	64.0	9.0	1.8~2.3	100
FAA-51	64.0	15.4	1.8~2.3	



電線固定座 WIRE MOUNT



MATERIAL: NYLON 66(UL)
FLAME CLASS: 94V-2
COLOR: NATURAL



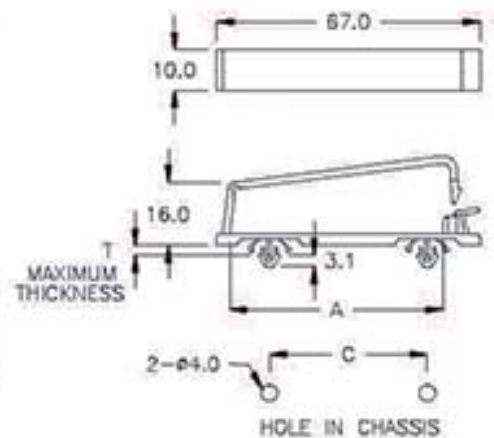
WITH LOCK FEATURE

PART NO	A	D	T CHASSIS THICKNESS	PACKAGE
FAA-51A	65.1	15.4	2.0~3.4	100

電線固定座 WIRE MOUNT



MATERIAL: NYLON 66(UL)
FLAME CLASS: 94V-2
COLOR: NATURAL



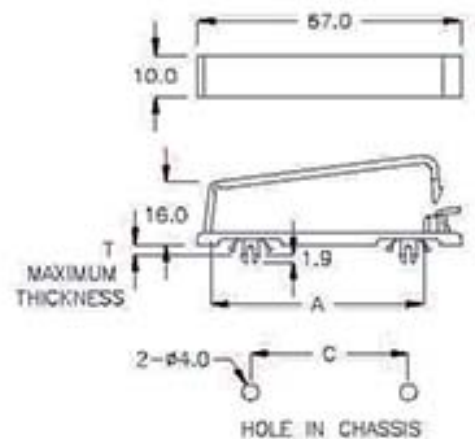
WITH LOCK FEATURE

PART NO	A	C	T MAXIMUM THICKNESS	PACKAGE
FCC-40A	53.5	40.0	2.0	100

電線固定座 WIRE MOUNT



MATERIAL: NYLON 66(UL)
FLAME CLASS: 94V-2
COLOR: NATURAL



WITH LOCK FEATURE

PART NO	B	C	T MAXIMUM THICKNESS	PACKAGE
FCC-400	53.5	40.0	2.0	100

線材固定, 線材隔離 CABLE CLAMP, SADDLE

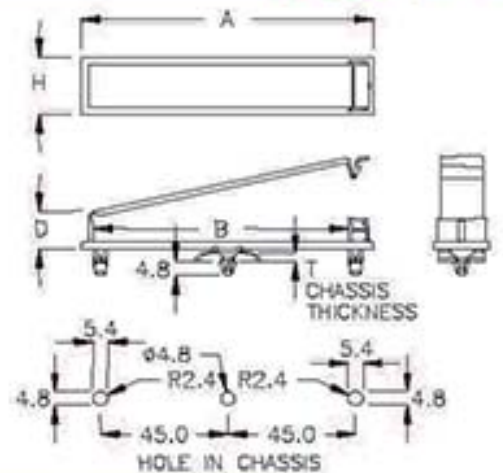
PINGOOD

6-88-1

電線固定座 WIRE MOUNT



MATERIAL: NYLON 66(UL)
FLAME CLASS: 94V-2
COLOR: NATURAL



WITH LOCK FEATURE

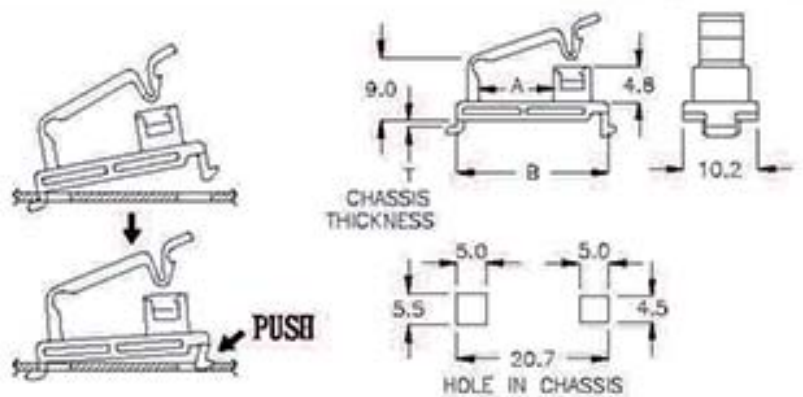
PART NO	A	B	D	H	T CHASSIS THICKNESS	PACKAGE
CXK-90A	103.0	90.0	13.6	20.0	2.0~2.3	100

6-88-2

電線固定座 WIRE MOUNT



MATERIAL: NYLON 66(UL)
FLAME CLASS: 94V-2
COLOR: NATURAL



WITH LOCK FEATURE

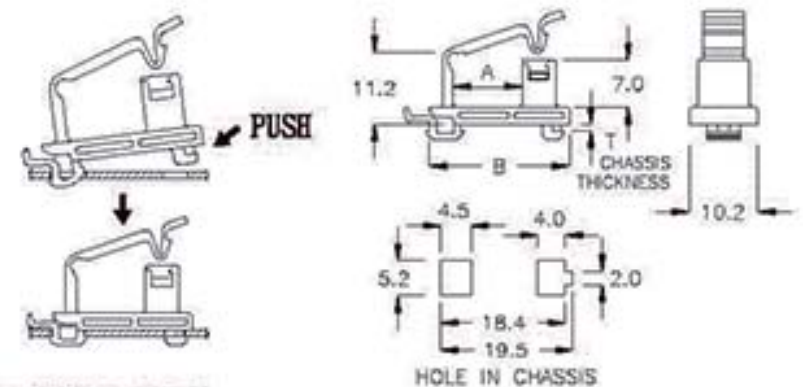
PART NO	A	B	T CHASSIS THICKNESS	PACKAGE
FCZ-10C	10.2	20.7	0.8	200

6-88-3

電線固定座 WIRE MOUNT



MATERIAL: NYLON 66(UL)
FLAME CLASS: 94V-2
COLOR: BLACK



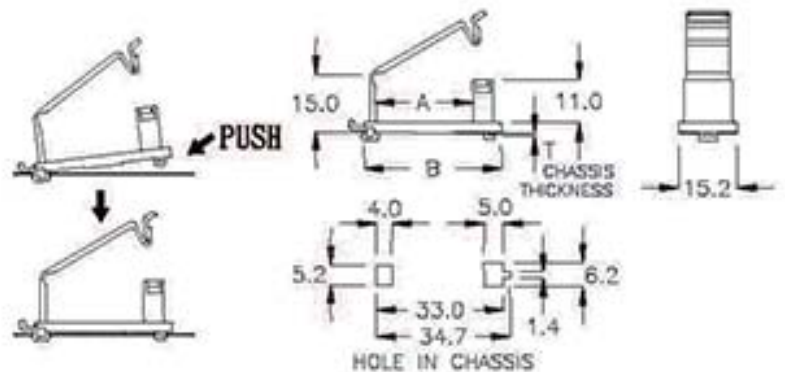
WITH LOCK FEATURE

PART NO	A	B	T CHASSIS THICKNESS	PACKAGE
FCX-10A	10.2	20.7	0.8	200

電線固定座 WIRE MOUNT



MATERIAL: NYLON 66(UL)
FLAME CLASS: 94V-2
COLOR: BLACK

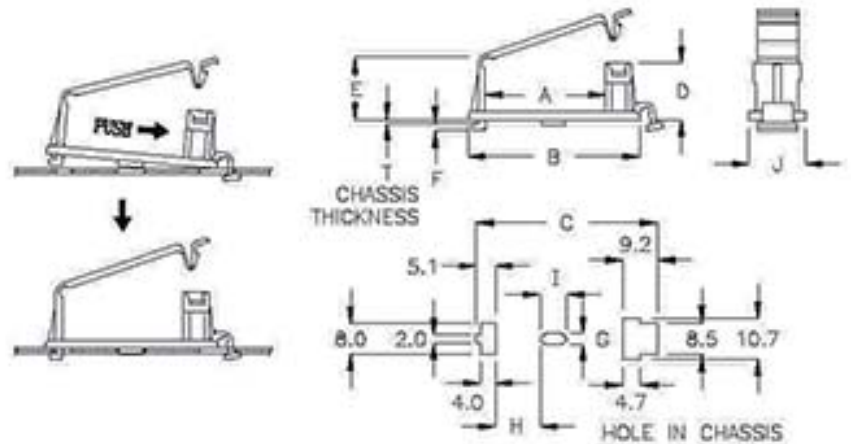


PART NO	A	B	T CHASSIS THICKNESS	PACKAGE
FCX-25GL	25.25	35.65	0.6	200

電線固定座 WIRE MOUNT



MATERIAL: NYLON 66(UL)
FLAME CLASS: 94V-2
COLOR: BLACK



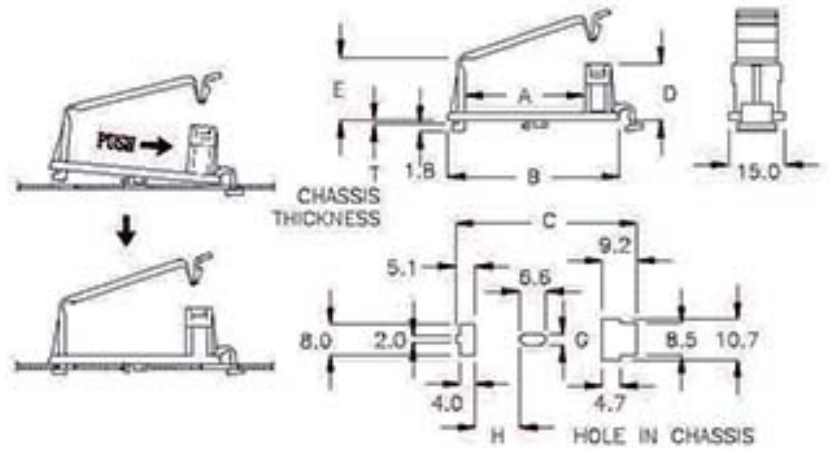
WITH LOCK FEATURE

PART NO	A	B	C	D	E	F	G	H	I	J	T CHASSIS THICKNESS	PACKAGE
FCQ-19A	19.4	31.9	33.35	14.0	16.0	1.8	2.3	6.75	6.65	16.8	0.7~0.8	200
FCQ-27	27.0	40.5	43.3	14.75	17.0	1.8	2.3	11.7	6.65	15.0	0.7~0.8	
FCQ-31HS	31.3	44.8	47.8	14.75	17.0	1.0	2.6	12.8	6.65	15.0	0.7~0.8	
FCQ-31GR	31.6	45.0	47.8	14.75	16.6	1.0	2.6	12.8	6.6	15.0	1.2	

電線固定座 WIRE MOUNT



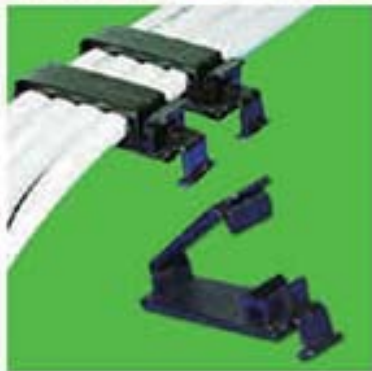
MATERIAL: NYLON 66(UL)
FLAME CLASS: 94V-2
COLOR: BLACK



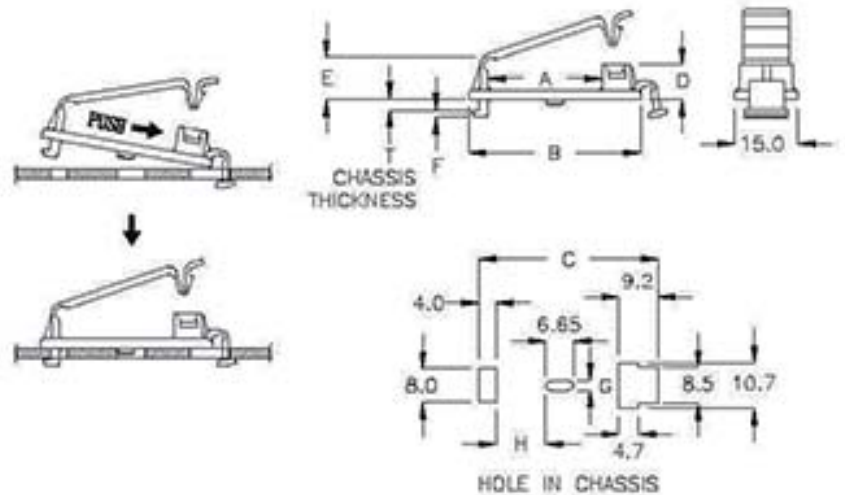
WITH LOCK FEATURE

PART NO	A	B	C	D	E	G	H	T CHASSIS THICKNESS	PACKAGE
FCQ-31K	31.3	44.8	47.8	14.75	17.0	2.6	12.8	0.8	200

電線固定座 WIRE MOUNT



MATERIAL: NYLON 66(UL)
FLAME CLASS: 94V-2
COLOR: BLACK



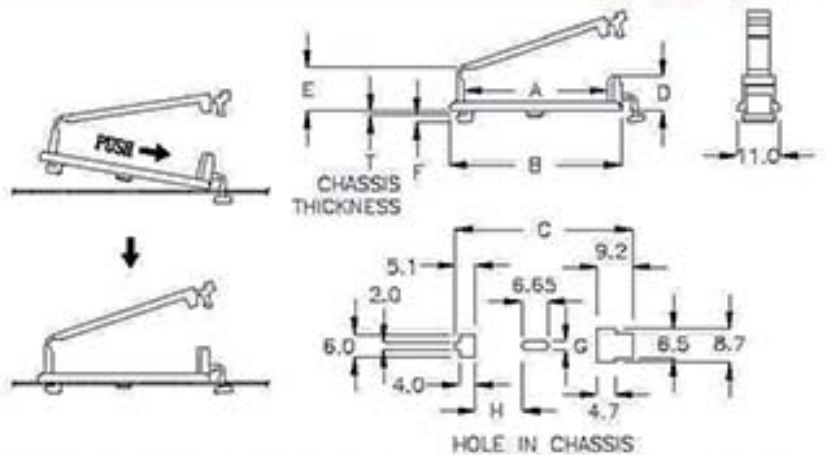
PART NO	A	B	C	D	E	F	G	H	T CHASSIS THICKNESS	PACKAGE
FCQ-27LR	27.0	40.5	42.2	8.2	10.0	1.5	2.3	11.7	2.4	200

線材固定, 線材隔離 CABLE CLAMP, SADDLE

PINGOOD

6-91-1

電線固定座 WIRE MOUNT



MATERIAL: NYLON 66(UL)
FLAME CLASS: 94V-2
COLOR: BLACK

PART NO	A	B	C	D	E	F	G	H	T CHASSIS THICKNESS	PACKAGE
FCQ-35JK	37.1	44.3	45.75	9.05	11.4	1.8	2.3	12.1	0.8	100

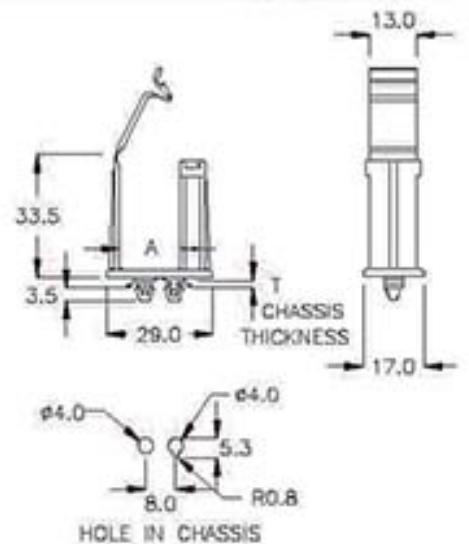
電線固定座 WIRE MOUNT



WITH LOCK FEATURE

PART NO	A	T CHASSIS THICKNESS	PACKAGE
CYB-16A	16.7	0.8~1.2	100

MATERIAL: NYLON 66(UL)
FLAME CLASS: 94V-2
COLOR: NATURAL



6-91-2

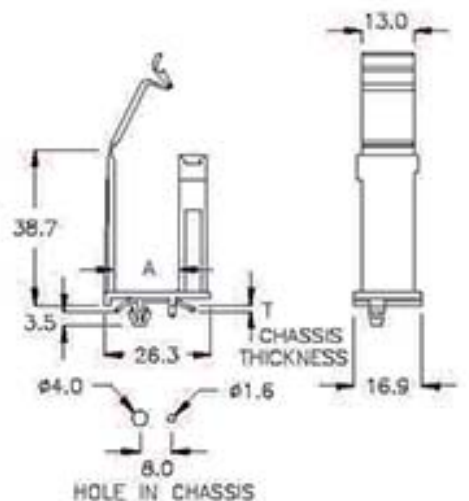
電線固定座 WIRE MOUNT



WITH LOCK FEATURE

PART NO	A	T CHASSIS THICKNESS	PACKAGE
CYC-16F	16.0	0.8~1.0	100

MATERIAL: NYLON 66(UL)
FLAME CLASS: 94V-2
COLOR: NATURAL, BLACK



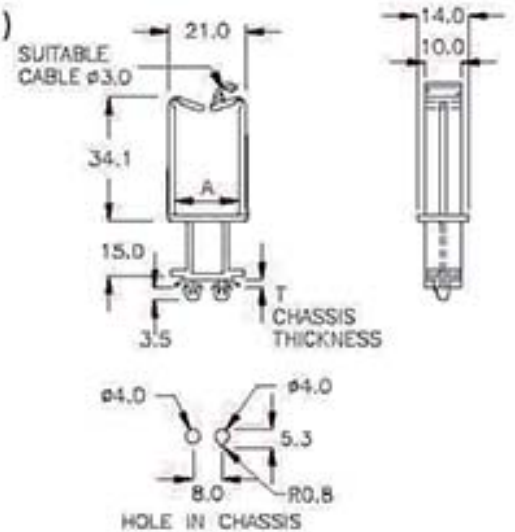
6-91-3

隔離束線座 WIRE SADDLE



MATERIAL: NYLON 66(UL)
FLAME CLASS: 94V-2
COLOR: NATURAL

PART NO	A	T CHASSIS THICKNESS	PACKAGE
CYM-17A	17.8	0.8~1.2	100

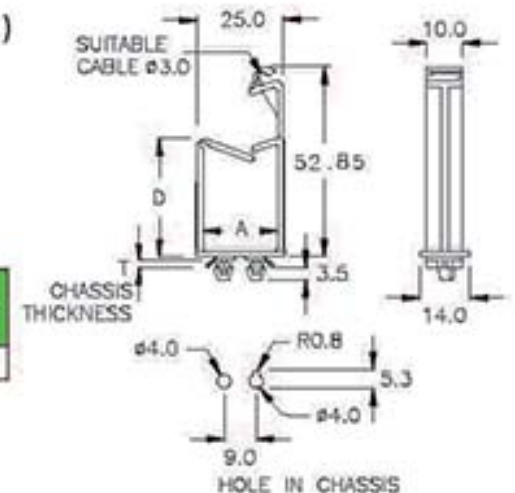


電線固定座 WIRE MOUNT



MATERIAL: NYLON 66(UL)
FLAME CLASS: 94V-2
COLOR: NATURAL

PART NO	A	D	T CHASSIS THICKNESS	PACKAGE
CYR-20K	20.8	32.8	0.8~1.2	100

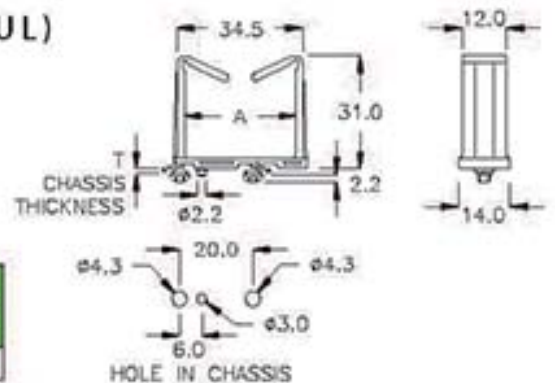


隔離束線座 WIRE SADDLE



MATERIAL: NYLON 66(UL)
FLAME CLASS: 94V-2
COLOR: BLACK

PART NO	A	T CHASSIS THICKNESS	PACKAGE
CYP-30MC	30.5	0.8~1.2	200



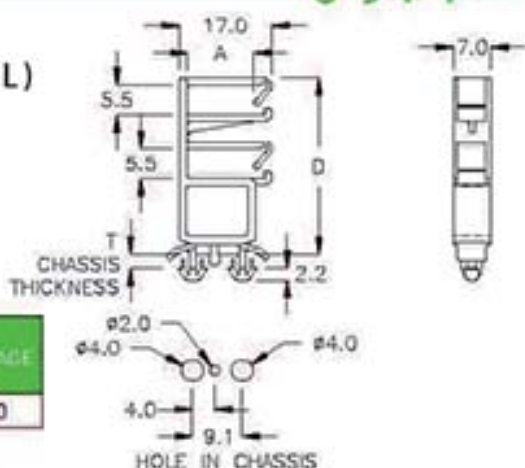
6-94-1

隔離束線座 WIRE SADDLE

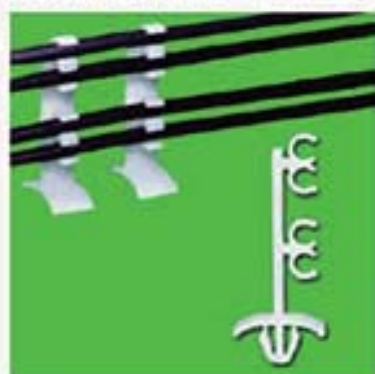


MATERIAL: NYLON 66(UL)
FLAME CLASS: 94V-2
COLOR: BLACK

PART NO	A	D	T CHASSIS THICKNESS	PACKAGE
FYH-5K	12.0	31.95	1.6~2.4	100

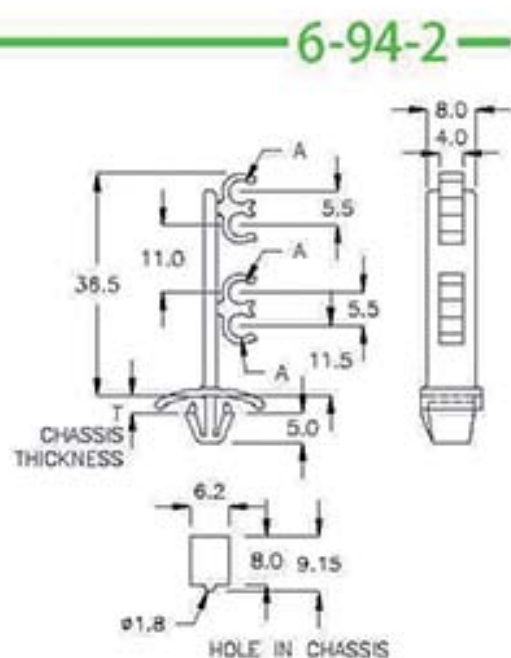


隔離束線座 WIRE SADDLE



MATERIAL: POM
COLOR: NATURAL

PART NO	A	T CHASSIS THICKNESS	PACKAGE
CTK-44Q	4.0	1.0~2.0	200

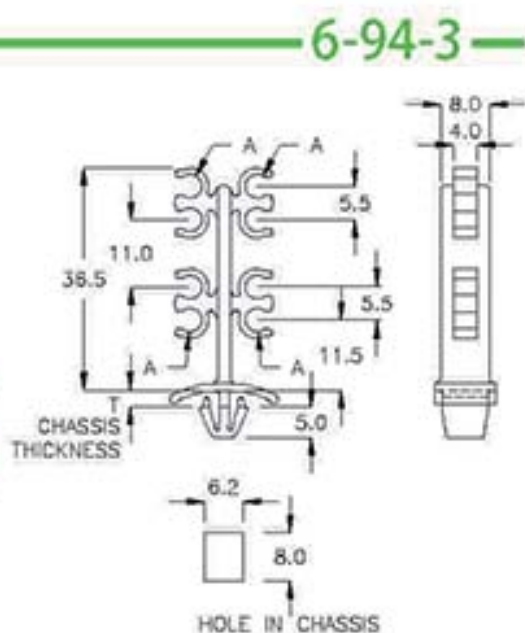


隔離束線座 WIRE SADDLE



MATERIAL: POM
FLAME CLASS: 94-HB
COLOR: NATURAL

PART NO	A	T CHASSIS THICKNESS	PACKAGE
CTM-44P	4.0	1.0~2.0	200

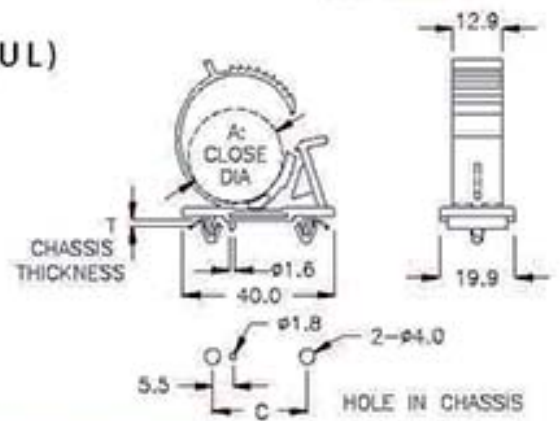


6-95-1

電線固定座 WIRE MOUNT



MATERIAL: NYLON 66(UL)
FLAME CLASS: 94V-2
COLOR: NATURAL



WITH LOCK FEATURE

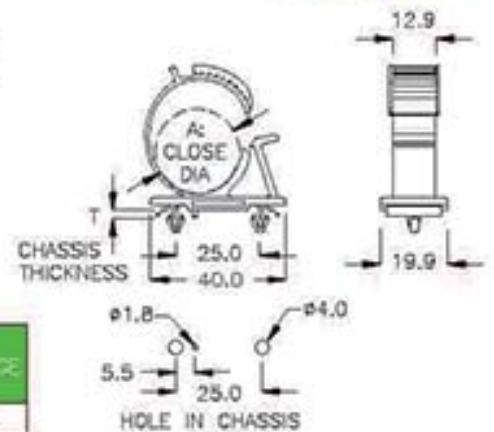
PART NO	A CLOSE DIA	C	T CHASSIS THICKNESS	PACKAGE
FWW-40	φ22.5~φ26.5	25.0	0.8~2.0	100
FWW-40C	φ22.5~φ26.5	25.0	0.8~1.2	

6-95-2

電線固定座 WIRE MOUNT



MATERIAL: NYLON 66(UL)
FLAME CLASS: 94V-2
COLOR: NATURAL



WITH LOCK FEATURE

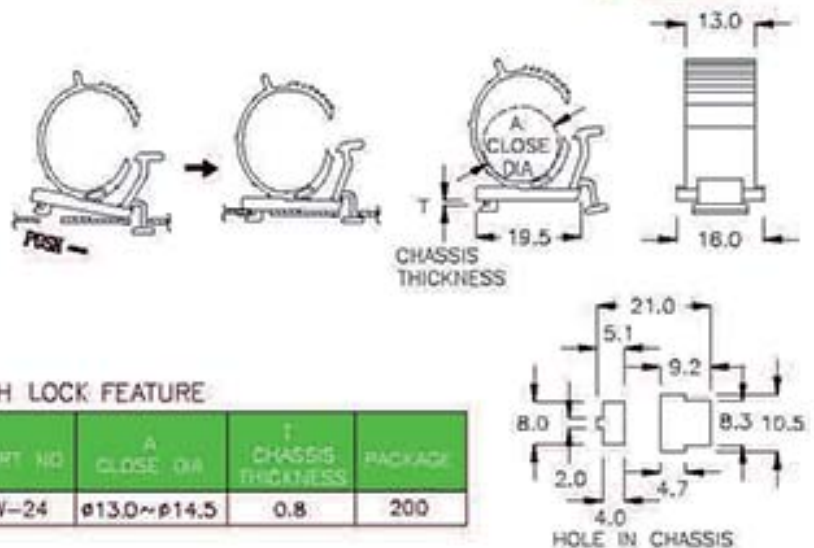
PART NO	A CLOSE DIA	T CHASSIS THICKNESS	PACKAGE
FWQ-40	φ22.5~φ26.5	0.8~2.0	100

6-95-3

電線固定座 WIRE MOUNT



MATERIAL: NYLON 66(UL)
FLAME CLASS: 94V-2
COLOR: NATURAL



WITH LOCK FEATURE

PART NO	A CLOSE DIA	T CHASSIS THICKNESS	PACKAGE
FW-24	φ13.0~φ14.5	0.8	200

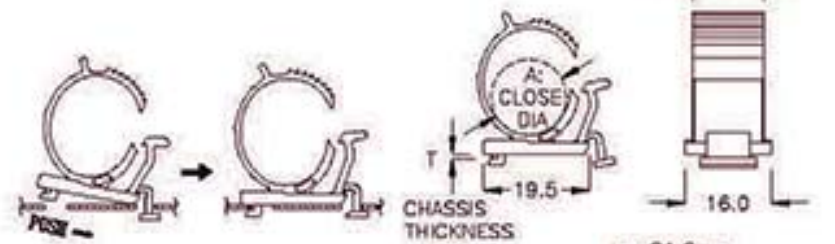
線材固定, 線材隔離 CABLE CLAMP, SADDLE

PINGOOD

電線固定座 TIE MOUNT



MATERIAL: NYLON 66(UL)
FLAME CLASS: 94V-2
COLOR: NATURAL



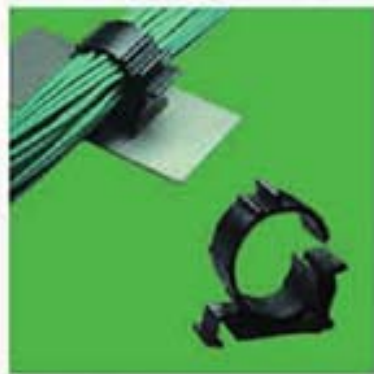
WITH LOCK FEATURE

PART NO	A CLOSE DIA	T CHASSIS THICKNESS	PACKAGE
FW-24CM	φ12.5~15.0	1.0	200

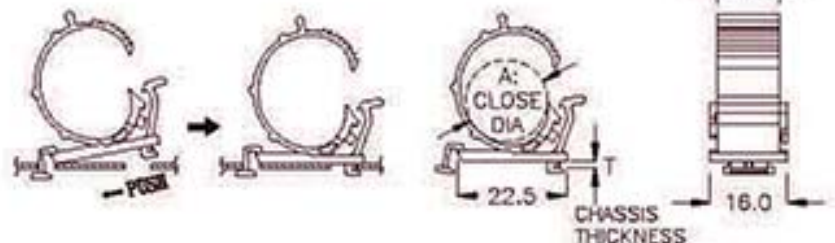
HOLE IN CHASSIS

6-96-1

電線固定座 TIE MOUNT



MATERIAL: NYLON 66(UL)
FLAME CLASS: 94V-2
COLOR: BLACK



WITH LOCK FEATURE

PART NO	A CLOSE DIA	T CHASSIS THICKNESS	PACKAGE
FDH-14J	φ14.5~17.0	1.0	100

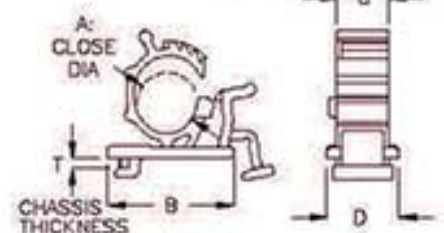
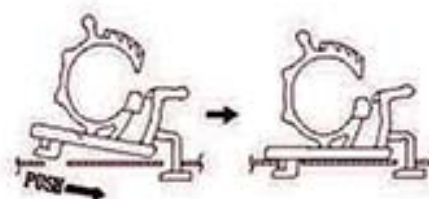
HOLE IN CHASSIS

6-96-2

電線固定座 TIE MOUNT



MATERIAL: NYLON 66(UL)
FLAME CLASS: 94V-2
COLOR: BLACK



HOLE IN CHASSIS

6-96-3

WITH LOCK FEATURE

PART NO	A CLOSE DIA	B	C	D	E	F	G	H	T CHASSIS THICKNESS	PACKAGE
FWR-6A	φ6.0~7.0	15.85	6.5	9.0	17.7	7.0	5.8	8.0	0.9~1.1	500
FWR-7M	φ7.5~8.5	16.0	6.5	9.0	17.7	7.0	5.8	8.0	0.9~1.1	
FWR-9C	φ8.5~10.0	18.8	13.0	16.0	21.0	8.0	8.3	10.5	0.9~1.0	200

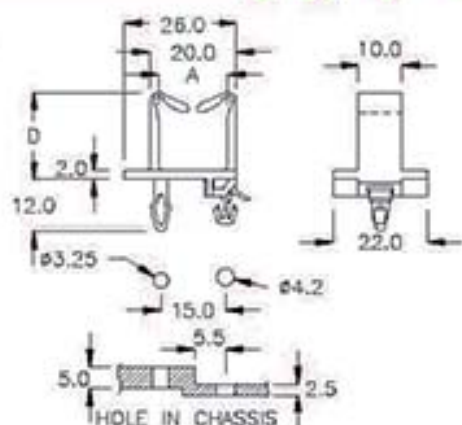
6-97-1



隔離束線座 WIRE SADDLE

MATERIAL: PP
COLOR: BLACK

PART NO	A	D	PACKAGE
CRN-16	16.0	20.0	200



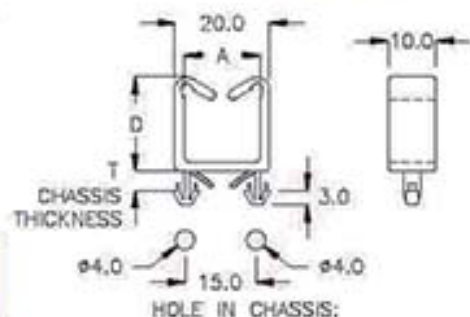
6-97-2



隔離束線座 WIRE SADDLE

MATERIAL: NYLON 66(UL)
FLAME CLASS: 94V-2
COLOR: NATURAL, BLACK

PART NO	A	D	T CHASSIS THICKNESS	PACKAGE
CRC-16K	16.0	20.0	0.8~2.3	200



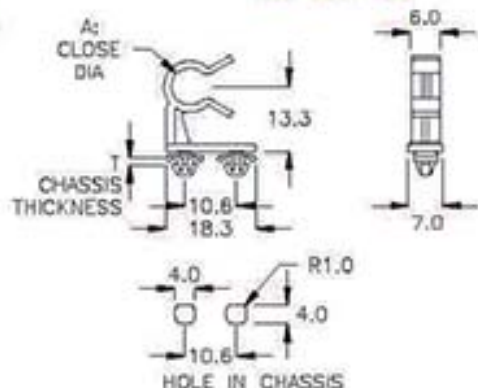
6-97-3



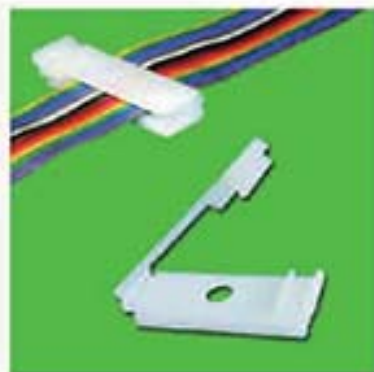
隔離束線座 WIRE SADDLE

MATERIAL: NYLON 66(UL)
FLAME CLASS: 94V-2
COLOR: BLACK

PART NO	A CLOSE DIA	T CHASSIS THICKNESS	PACKAGE
CMW-08	7.7	0.8	500



6-97-4

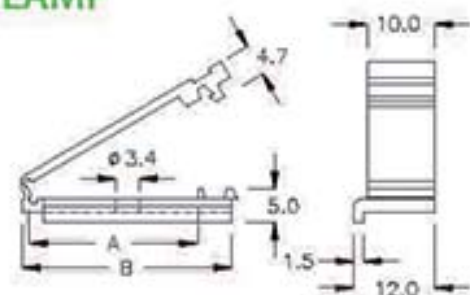


排線固定板 FLAT CABLE CLAMP

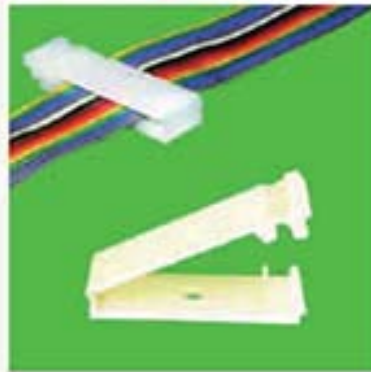
MATERIAL: NYLON 66(UL)
FLAME CLASS: 94V-2
COLOR: NATURAL

WITH LOCK FEATURE

PART NO	A	B	PACKAGE
FCM-25J	24.8	31.0	200



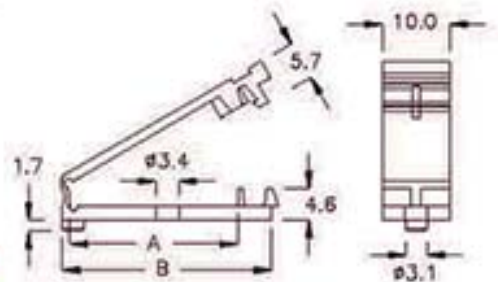
排線固定板 FLAT CABLE CLAMP



MATERIAL: NYLON 66(UL)
FLAME CLASS: 94V-2
COLOR: NATURAL

WITH LOCK FEATURE

PART NO	A	B	PACKAGE
FCM-26	24.8	31.0	200



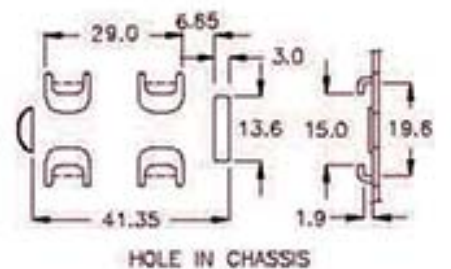
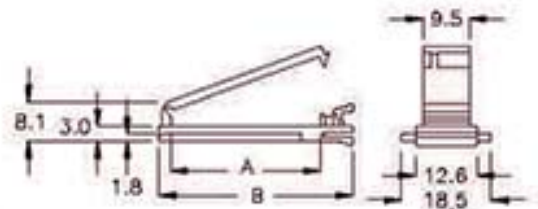
排線固定板 FLAT CABLE CLAMP



MATERIAL: NYLON 66(UL)
FLAME CLASS: 94V-2
COLOR: NATURAL

WITH LOCK FEATURE

PART NO	A	B	PACKAGE
LFD-25	31.2	40.5	200



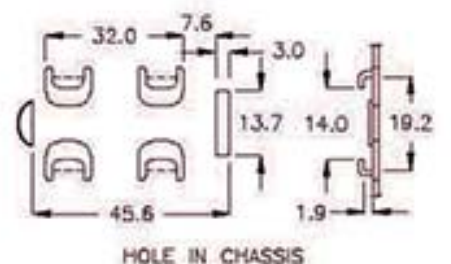
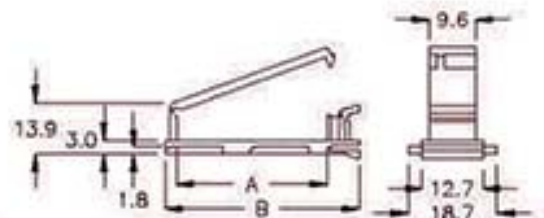
排線固定板 FLAT CABLE CLAMP



MATERIAL: NYLON 66(UL)
FLAME CLASS: 94V-2
COLOR: NATURAL

WITH LOCK FEATURE

PART NO	A	B	PACKAGE
LFN-36C	36.0	45.0	100



電線固定板 WIRE MOUNT



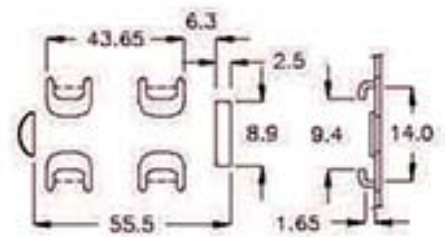
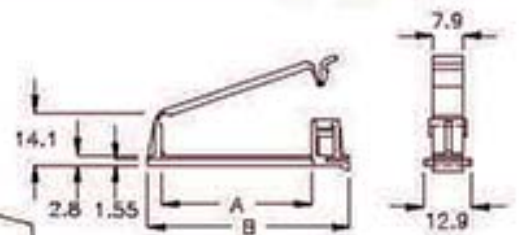
MATERIAL: NYLON 66(UL)
FLAME CLASS: 94V-2
COLOR: NATURAL



HOLE IN CHASSIS

WITH LOCK FEATURE

PART NO	A	B	PACKAGE
LFN-40K	40.75	54.65	100



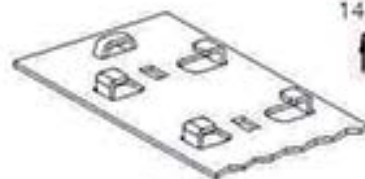
HOLE IN CHASSIS

電線固定板 WIRE MOUNT



NEW

MATERIAL: NYLON 66(UL)
FLAME CLASS: 94V-2
COLOR: BLACK

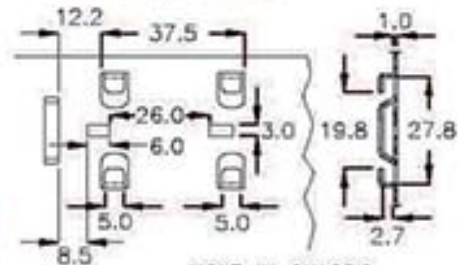
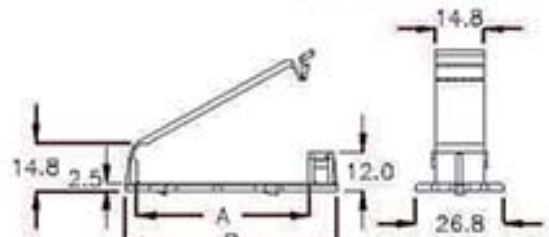


HOLE IN CHASSIS

WITH LOCK FEATURE

★

PART NO	A	B	PACKAGE
LFZ-52K	52.6	64.5	100



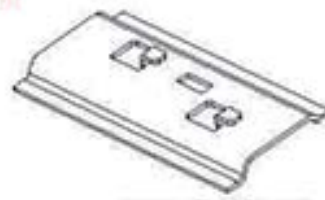
HOLE IN CHASSIS

電線固定板 WIRE MOUNT



NEW

MATERIAL: NYLON 66(UL)
FLAME CLASS: 94V-2
COLOR: BLACK

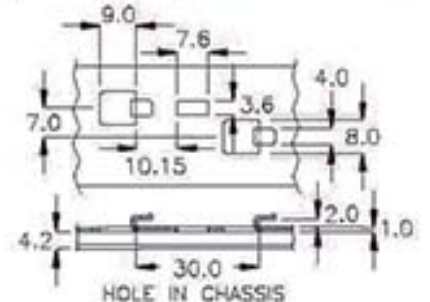
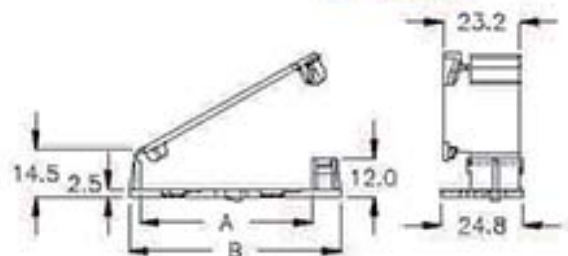


HOLE IN CHASSIS

WITH LOCK FEATURE

★

PART NO	A	B	PACKAGE
LFZN-52A	52.6	64.5	100



HOLE IN CHASSIS

線材固定, 線材隔離 CABLE CLAMP, SADDLE

PINGOOD

6-100-1

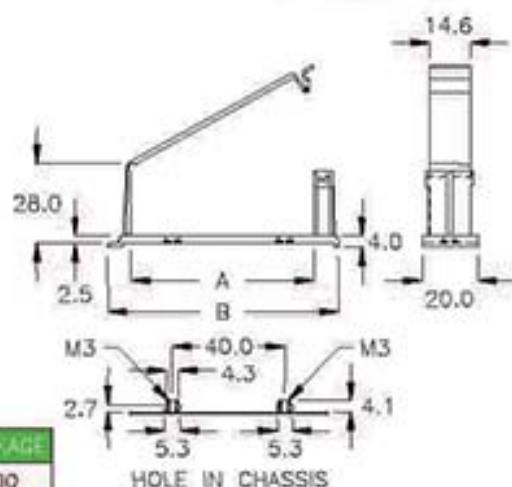
電線固定板 CABLE CLAMP



MATERIAL: NYLON 66(UL)
FLAME CLASS: 94V-2
COLOR: BLACK

WITH LOCK FEATURE

PART NO	A	B	PACKAGE
FCWA-65KC	65.1	82.1	100



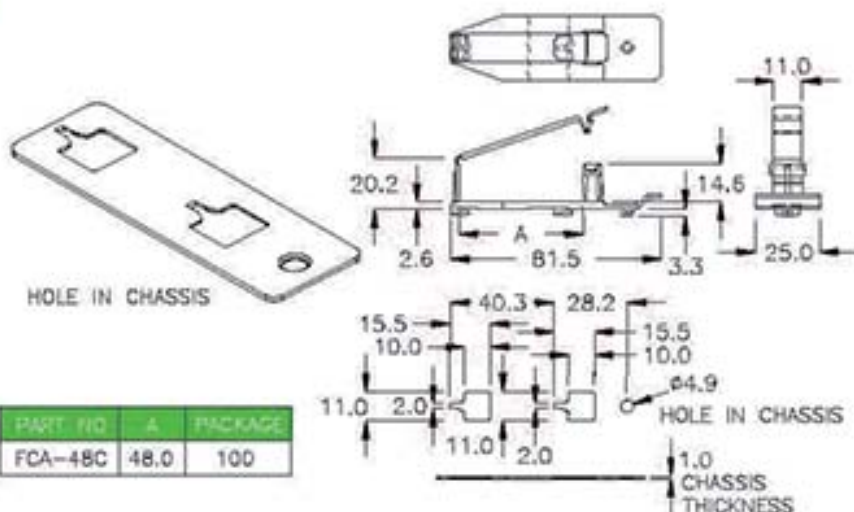
6-100-2

電線固定座 WIRE MOUNT



MATERIAL: NYLON 66(UL)
FLAME CLASS: 94V-2
COLOR: BLACK

PART NO	A	PACKAGE
FCA-48C	48.0	100



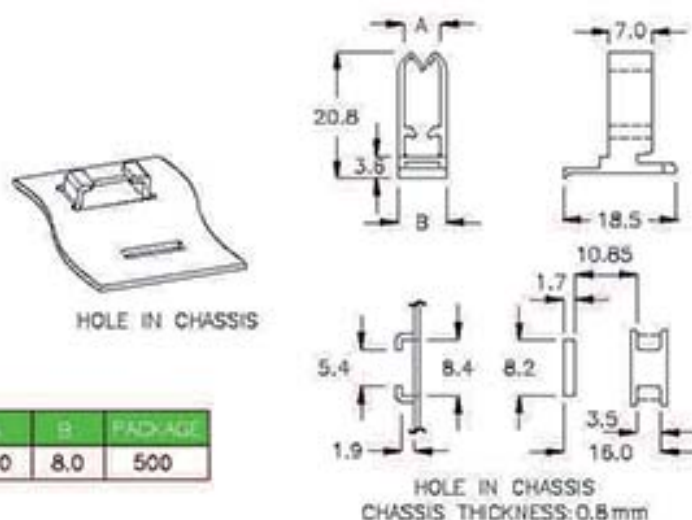
6-100-3

隔離束線座 WIRE SADDLE



MATERIAL: NYLON 66(UL)
FLAME CLASS: 94V-2
COLOR: BLACK

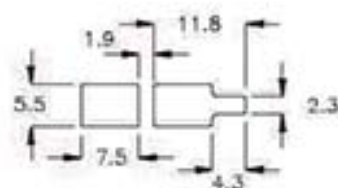
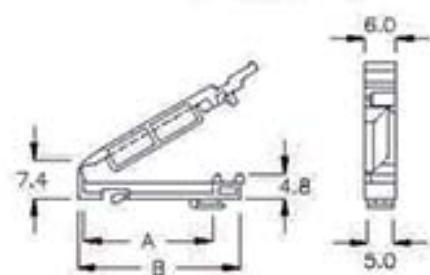
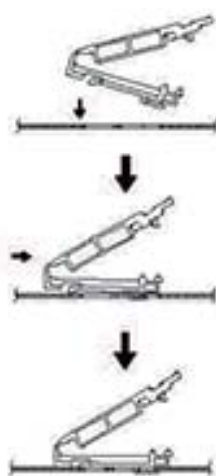
PART NO	A	B	PACKAGE
CYJ-6F	6.0	8.0	500



排線固定板 FLAT CABLE CLAMP



MATERIAL: NYLON 66(UL)
FLAME CLASS: 94V-2
COLOR: NATURAL, BLACK



HOLE IN CHASSIS
CHASSIS THICKNESS: 0.8mm

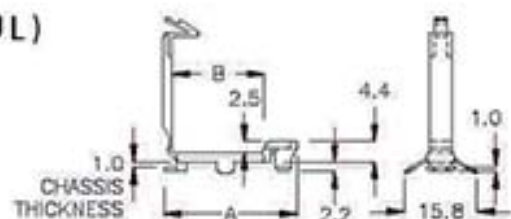
WITH LOCK FEATURE

PART NO	A	B	PACKAGE
FCK-31M	24.9	31.3	500

排線固定板 FLAT CABLE CLAMP



MATERIAL: NYLON 66(UL)
FLAME CLASS: 94V-2
COLOR: NATURAL



HOLE IN CHASSIS
CHASSIS THICKNESS: 1.0mm

WITH LOCK FEATURE

PART NO	A	B	PACKAGE
CUD-20	29.0	20.0	200

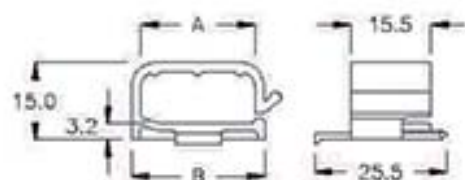
電線固定座 WIRE MOUNT



MATERIAL: NYLON 66(UL)
FLAME CLASS: 94V-2
COLOR: BLACK



HOLE IN CHASSIS



HOLE IN CHASSIS
CHASSIS THICKNESS: 0.8mm

PART NO	A	B	PACKAGE
FYC-22H	22.0	25.8	200

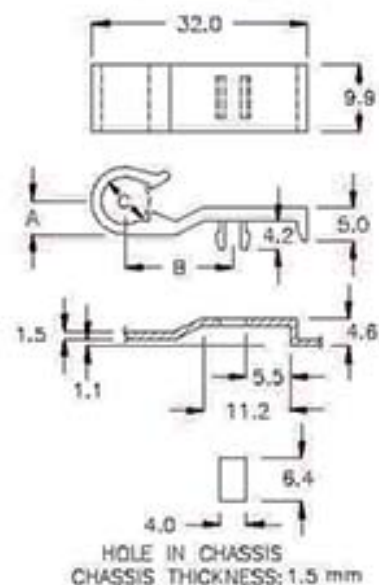
6-102-1

電線固定座 WIRE MOUNT



MATERIAL: NYLON 66(UL)
FLAME CLASS: 94V-2
COLOR: NATURAL

PART NO.	A	B	C	PACKAGE
CU-07C	5.0	16.0	ø6.9	500

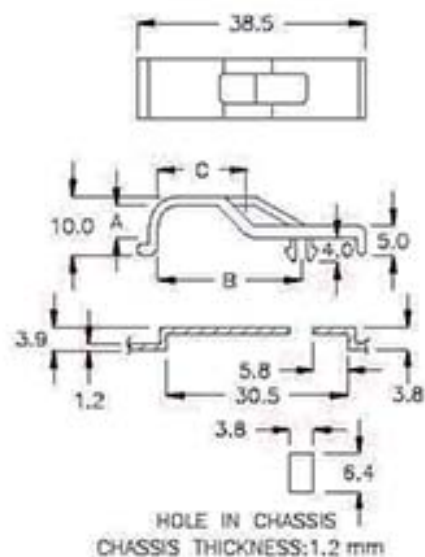


壓線座 WIRE MOUNT



MATERIAL: NYLON 66(UL)
FLAME CLASS: 94V-2
COLOR: NATURAL

PART NO.	A	B	C	PACKAGE
CU-07F	5.5	24.2	15.0	500

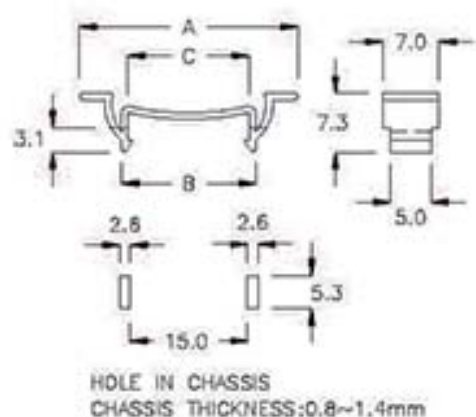


排線固定夾 FLAT CABLE CLAMP



MATERIAL: NYLON 66(UL)
FLAME CLASS: 94V-2
COLOR: NATURAL

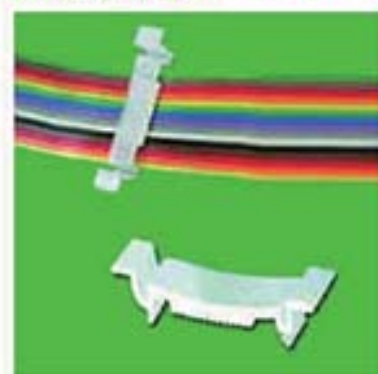
PART NO.	A	B	C	PACKAGE
FBC-15	27.0	16.6	15.0	500



線材固定, 線材隔離 CABLE CLAMP, SADDLE

PINGOOD

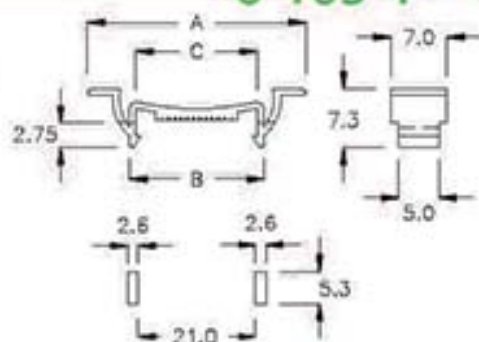
排線固定夾 FLAT CABLE CLAMP



MATERIAL: NYLON 66(UL)
FLAME CLASS: 94V-2
COLOR: NATURAL

PART NO	A	B	C	PACKAGE
FBC-21	33.0	22.6	21.0	500

6-103-1



HOLE IN CHASSIS
CHASSIS THICKNESS: 1.2mm

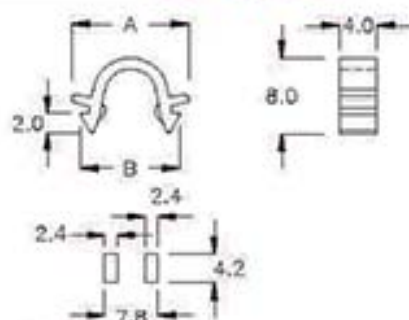
電線固定扣 WIRE CLIP



MATERIAL: NYLON 66(UL)
FLAME CLASS: 94V-2
COLOR: BLACK

PART NO	A	B	PACKAGE
FBM-10A	12.35	10.45	2000

6-103-2



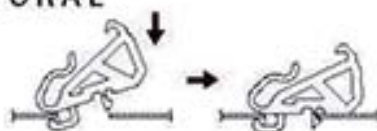
HOLE IN CHASSIS
CHASSIS THICKNESS: 0.6mm

電線固定座 CABLE CLAMP

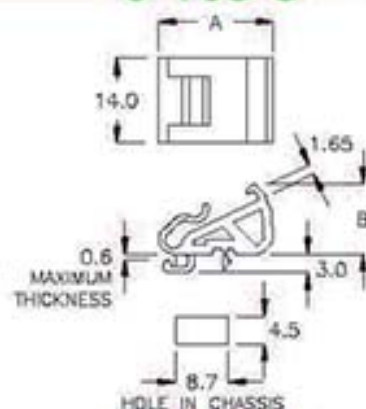


MATERIAL: NYLON 66(UL)
FLAME CLASS: 94V-2
COLOR: NATURAL

PART NO	A	B	PACKAGE
FDP-19	18.8	11.55	500



6-103-3



HOLE IN CHASSIS

排線固定板 FLAT CABLE CLAMP

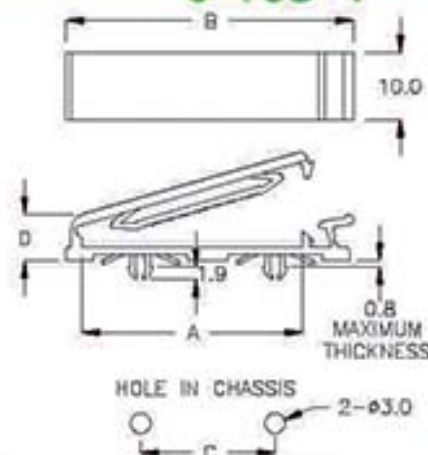


MATERIAL: NYLON 66(UL)
FLAME CLASS: 94V-2
COLOR: NATURAL

WITH LOCK FEATURE

PART NO	A	B	C	D	PACKAGE
FCJ-25K	32.7	42.7	20.0	6.9	100

6-103-4

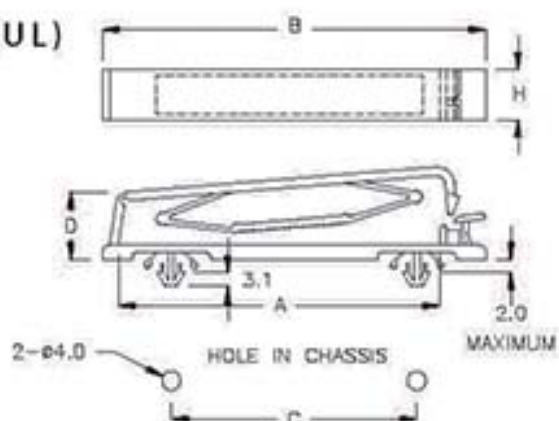


HOLE IN CHASSIS

排線固定夾 FLAT CABLE CLAMP



MATERIAL: NYLON 66(UL)
FLAME CLASS: 94V-2
COLOR: NATURAL



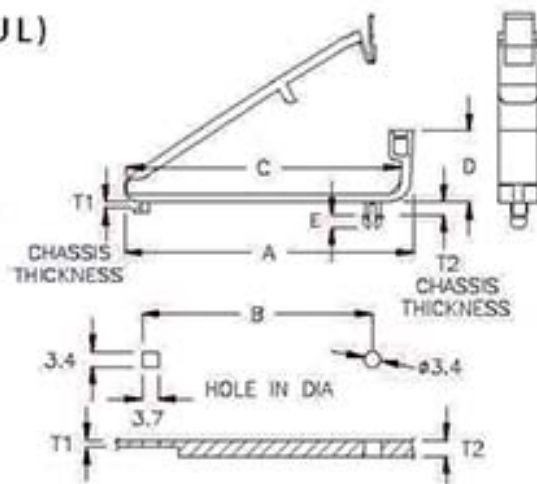
WITH LOCK FEATURE

PART NO	A	B	C	D	H	SUITABLE CABLE	PACKAGE
FCC-15A	14.4	32.6	15.0	13.7	9.1	10 PIN	200
FCC-25A	25.0	39.6	20.0	13.0	13.3	20 PIN	
FCC-30A	39.6	55.0	35.0	13.0	12.5	30 PIN	100
FCC-40B	54.0	67.0	40.0	16.2	10.0	40 PIN	
FCC-50A	64.6	77.6	49.7	13.6	10.1	50 PIN	
FCC-50C	64.3	77.0	49.7	12.8	10.0	50 PIN	

排線固定板 FLAT CABLE CLAMP



MATERIAL: NYLON 66(UL)
FLAME CLASS: 94V-2
COLOR: BLACK
ASSEMBLY:
1.INSERT ASLOPE
2.DEPRESS THE CLAMP



WITH LOCK FEATURE

PART NO	A	B	C	D	E	T1	T2	PACKAGE
FCG-80A	58.2	46.7	55.3	14.6	2.5	1.0	2.4	100
FCG-80C	58.2	46.7	55.3	11.9	1.8	1.0	1.0	

6-105-1

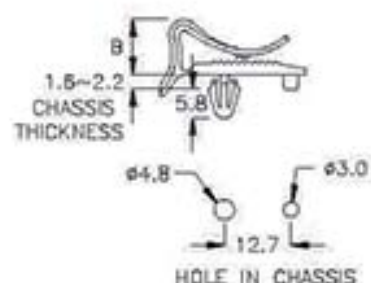
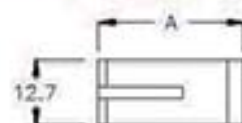
排線固定板 FLAT CABLE CLAMP



MATERIAL: NYLON 66(UL)
FLAME CLASS: 94V-2
COLOR: NATURAL

WITH LOCK FEATURE

PART NO	A	B	PACKAGE
FC-27N	27.8	10.5	500



HOLE IN CHASSIS

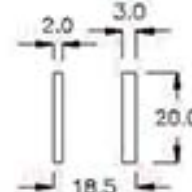
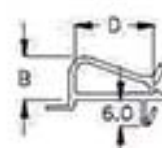
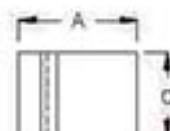
排線固定板 FLAT CABLE CLAMP



MATERIAL: NYLON 66(UL)
FLAME CLASS: 94V-2
COLOR: NATURAL
ASSEMBLY:
1.INSERT ASLOPE
2.DEPRESS THE MOUNT

PART NO	A	B	C	D	PACKAGE
LFC-01	26.4	9.6	19.0	17.6	200

6-105-2



HOLE IN CHASSIS
CHASSIS THICKNESS:1.2mm

排線固定板 FLAT CABLE CLIP

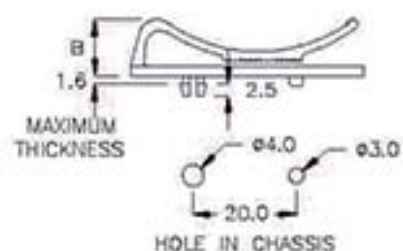
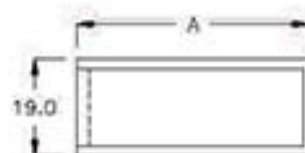


MATERIAL: NYLON 66(UL)
FLAME CLASS: 94V-2
COLOR: NATURAL

WITH LOCK FEATURE

PART NO	A	B	PACKAGE
FC-45N	45.0	10.9	200

6-105-3



HOLE IN CHASSIS

線材固定, 線材隔離 CABLE CLAMP, SADDLE

PINGOOD

6-106-1

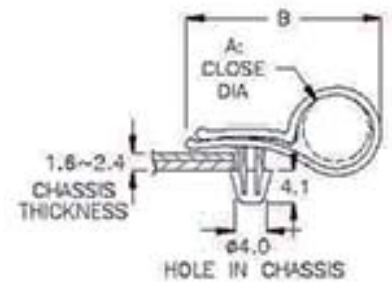
電線固定扣 WIRE CLIP



MATERIAL: NYLON 66(UL)
FLAME CLASS: 94V-2
COLOR: NATURAL

WITH LOCK FEATURE

PART NO	A CLOSE DIA	B	PACKAGE
PC-08T	ø7.8	24.4	500
PC-10T	ø10.0	29.3	



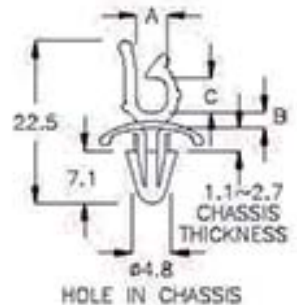
6-106-2

隔離束線座 WIRE CLIP



MATERIAL: NYLON 66(UL)
FLAME CLASS: 94V-2
COLOR: NATURAL

PART NO	A	B	C	PACKAGE
TA-5	4.2	2.5	4.7	1000



6-106-3

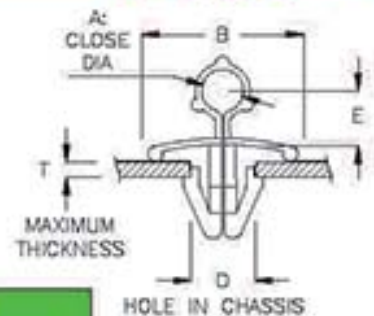
電線固定扣 WIRE CLIP



MATERIAL: NYLON 66(UL)
FLAME CLASS: 94V-2
COLOR: NATURAL

WITH LOCK FEATURE

PART NO	A CLOSE DIA	B	D HOLE IN CHASSIS	E	T MAXIMUM THICKNESS	PACKAGE
TA-3C	ø3.8	15.5	ø6.5	5.7	1.6	1000



6-106-4

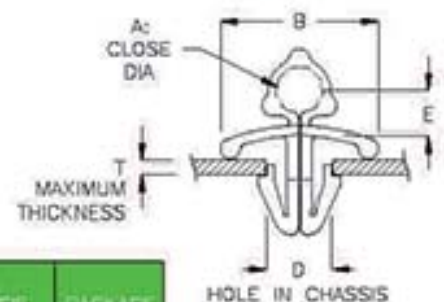
電線固定扣 WIRE CLIP



MATERIAL: NYLON 66(UL)
FLAME CLASS: 94V-2
COLOR: NATURAL

WITH LOCK FEATURE

PART NO	A CLOSE DIA	B	D HOLE IN CHASSIS	E	T CHASSIS THICKNESS	PACKAGE
TA-2K	ø2.9	12.0	ø4.5	3.5	0.6~1.6	1000

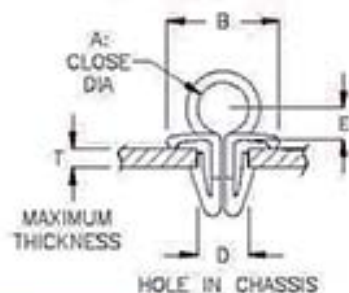


6-107-1

電線固定扣 WIRE CLIP



MATERIAL: NYLON 66(UL)
FLAME CLASS: 94V-2
COLOR: NATURAL



WITH LOCK FEATURE

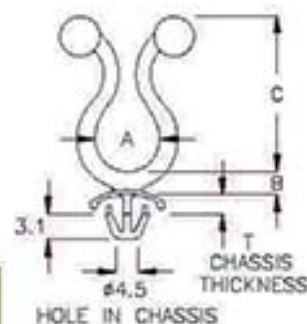
PART NO	A CLOSE DIA	B	D HOLE IN CHASSIS	E	T MAXIMUM THICKNESS	PACKAGE
TA-3M	φ3.8	14.8	φ6.5	5.7	1.2	1000
TA-5M	φ5.0	11.7	φ6.5	4.3	2.0	
TA-6	φ5.5	12.5	φ5.5	5.0	2.0	
TA-7	φ7.5	14.1	φ5.5	4.6	2.0	
TA-8	φ8.4	16.5	φ6.0	6.2	1.6	
TA-08A	φ8.4	13.5	φ5.5	6.2	1.6	
TA-11	φ11.1	18.2	φ6.0	7.0	1.9	

6-107-2

隔離束線座 WIRE CLIP



MATERIAL: NYLON 66(UL)
FLAME CLASS: 94V-2
COLOR: NATURAL

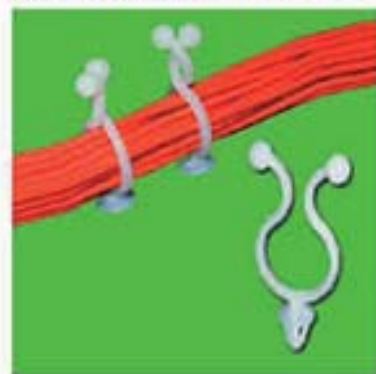


WITH LOCK FEATURE

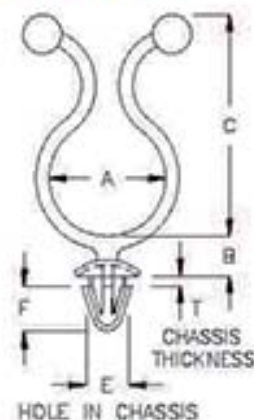
PART NO	A	B	C	CLOSE A	T CHASSIS THICKNESS	PACKAGE
TFB-30C	8.1	3.5	19.2	φ6.5	0.8~1.2	1000

6-107-3

隔離束線座 WIRE CLIP



MATERIAL: NYLON 66(UL)
FLAME CLASS: 94V-2
COLOR: NATURAL



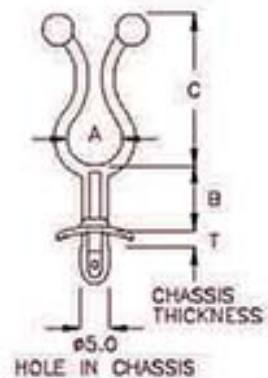
WITH LOCK FEATURE

PART NO	A	B	C	CLOSE A	T CHASSIS THICKNESS	E HOLE IN CHASSIS	F	PACKAGE
TN16-5	16.2	5.4	30.5	φ14.0	1.4~1.7	φ5.0	6.3	500

隔離束線座 WIRE CLIP



MATERIAL: NYLON 66(UL)
FLAME CLASS: 94V-2
COLOR: NATURAL



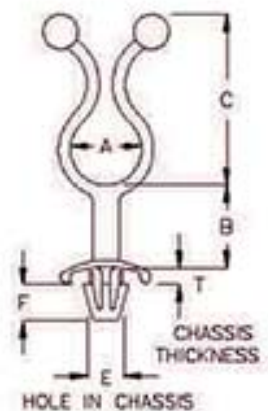
WITH LOCK FEATURE

PART NO	A	B	C	CLOSE A	T CHASSIS THICKNESS	PACKAGE
TA10-4	10.5	4.0	28.0	ø9.3	1.9~2.9	500
TA10-20	10.5	20.0	27.6	ø9.4	1.8~2.8	
TA16-3	15.9	3.5	32.0	ø14.4	1.0~2.6	
TA16-18	16.0	18.0	32.0	ø14.4	1.2~2.4	

隔離束線座 WIRE CLIP



MATERIAL: NYLON 66(UL)
FLAME CLASS: 94V-2
COLOR: NATURAL



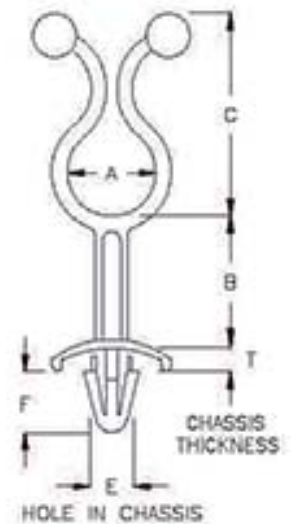
WITH LOCK FEATURE

PART NO	A	B	C	CLOSE A	T CHASSIS THICKNESS	E HOLE IN CHASSIS	F	PACKAGE
TA7-23	6.7	23.7	17.2	ø5.5	0.5~2.0	ø5.0	3.2	500
TA8-15A	8.6	15.0	26.3	ø7.5	1.2~3.0	ø4.0	5.2	
TA9-15	10.7	15.0	26.3	ø9.4	1.2~3.0	ø4.0	5.2	
TA11-4A	10.8	4.6	26.3	ø9.3	0.3~2.2	ø5.0	5.6	
TA11-50A	11.5	50.2	26.7	ø10.1	0.8~2.7	ø4.8~ø5.0	5.1	
TA14-2C	14.8	2.4	30.5	ø13.0	0.8~1.6	ø4.8	5.1	

隔離束線座 WIRE CLIP



MATERIAL: NYLON 66(UL)
 FLAME CLASS: 94V-2
 COLOR: NATURAL
 *UL NO: E154548(S)



WITH LOCK FEATURE

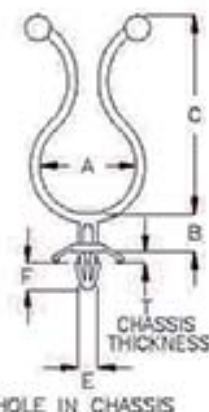


PART NO	A	B	C	CLOSE A	T CHASSIS THICKNESS	E HOLE IN CHASSIS	F	UL	PACKAGE
TA5-60	5.1	60.4	20.7	ø4.4	0.8~2.7	ø4.8~ø5.0	7.2		500
TA8-3	8.6	3.5	19.0	ø7.0	1.2~1.8	ø4.0	3.0	UL	1000
TA8-3L	8.6	3.2	19.0	ø7.0	1.2~2.3	ø4.0	3.3		
TA8-6	8.8	5.6	19.1	ø7.0	1.2~1.8	ø4.8~ø5.0	7.6	UL	
TA8-10	8.0	10.5	22.7	ø6.8	1.2~2.8	ø5.0	7.2	UL	
TA8-20	8.0	20.2	22.7	ø6.8	1.2~2.8	ø5.0	7.2	UL	500
TA10-3	10.9	3.0	27.0	ø9.5	1.1~2.6	ø5.0	7.3	UL	
TA10-3A	10.9	3.1	27.0	ø9.5	1.2~3.8	ø5.0	6.6		
TA10-15	11.0	15.5	27.0	ø9.7	1.1~2.6	ø5.0	7.1	UL	
TA10-35	10.9	35.0	27.0	ø9.6	1.5~3.0	ø5.0	7.2	UL	
TA11-4	11.0	4.4	26.4	ø9.5	0.6~2.4	ø5.0	7.5	UL	
TA11-5	11.5	4.7	28.0	ø10.3	0.8~2.0	ø4.0	5.5		
TA11-50	11.5	50.2	26.7	ø10.1	0.8~2.7	ø4.8~ø5.0	7.1	UL	
TA11-21	11.8	21.2	27.5	ø10.2	0.6~2.7	ø5.0	6.6	UL	
TA11-43	11.5	43.5	26.7	ø10.1	0.8~2.7	ø4.8~ø5.0	7.0		
TA12-10	12.0	10.1	27.0	ø10.2	1.2~3.2	ø4.8~ø5.0	6.6		
TA14-2	14.4	2.4	30.5	ø13.0	0.3~1.8	ø4.8	7.6		
TA16-4	16.0	3.5	30.8	ø14.0	1.3~2.9	ø5.0	7.2	UL	200
TA16-60	16.0	60.4	32.0	ø14.5	0.8~2.7	ø4.8~ø5.0	7.1	UL	
TA19-30	18.7	30.0	36.4	ø16.5	0.9~3.0	ø4.8~ø5.0	7.0		
TA20-8	20.6	8.1	36.7	ø18.4	0.8~3.0	ø4.8~ø5.0	7.1		500
TA20-16	20.3	16.2	36.3	ø18.3	1.5~3.1	ø5.0	7.2	UL	
TA24-3	24.3	3.0	43.6	ø22.0	0.6~2.7	ø5.0	6.9	UL	
TA37-3	37.5	3.3	59.3	ø35.0	1.1~2.4	ø4.8~ø5.0	6.7	UL	200

隔離束線座 WIRE CLIP



MATERIAL: NYLON 66(UL)
FLAME CLASS: 94V-2
COLOR: NATURAL



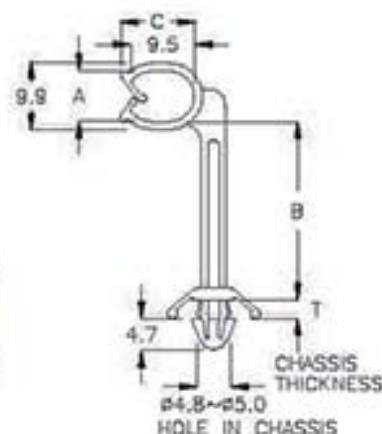
WITH LOCK FEATURE

PART NO	A	B	C	CLOSE A	T CHASSIS THICKNESS	E HOLE IN CHASSIS	F	PACKAGE
TB20-B	20.6	8.1	42.0	ø18.5	1.0~2.0	ø3.5	6.0	500
TB8-B	9.5	8.0	23.3	ø7.7	0.8~2.4	ø3.0	3.7	

隔離束線座 WIRE SADDLE



MATERIAL: NYLON 66(UL)
FLAME CLASS: 94V-2
COLOR: NATURAL

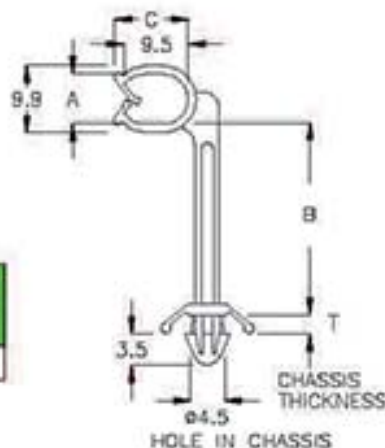


PART NO	A	B	C	T CHASSIS THICKNESS	PACKAGE
TUA-34	7.5	34.2	11.0	0.5~2.1	500

隔離束線座 WIRE SADDLE



MATERIAL: NYLON 66(UL)
FLAME CLASS: 94V-2
COLOR: NATURAL



PART NO	A	B	C	T CHASSIS THICKNESS	PACKAGE
TUA-40	7.5	34.0	11.0	0.8~1.6	500

線材固定, 線材隔離 CABLE CLAMP, SADDLE

PINGOOD

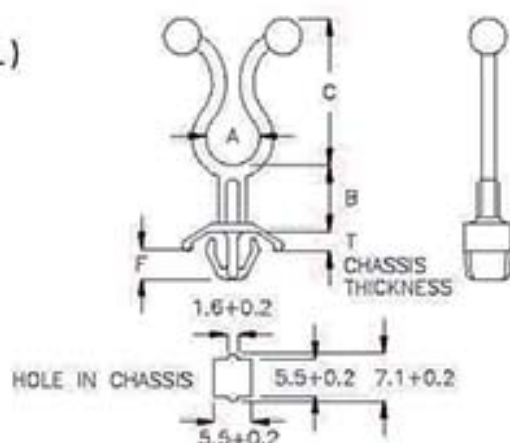
6-111-1

隔離束線座 WIRE CLIP



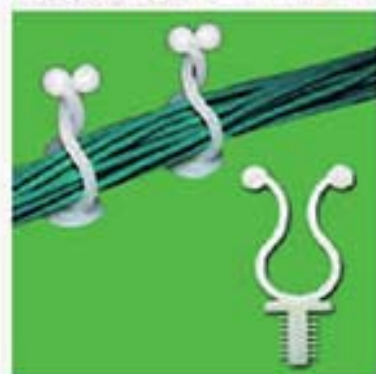
MATERIAL: NYLON 66(UL)
FLAME CLASS: 94V-2
COLOR: NATURAL

Built-In Anti-Spin Function
WITH LOCK FEATURE



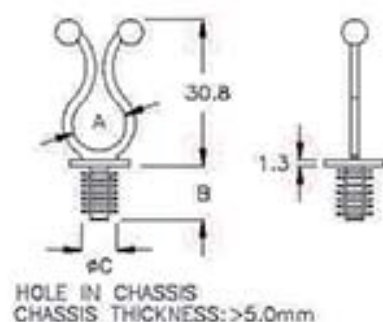
PART NO.	A	B	C	CLOSE A	T CHASSIS THICKNESS	F	PACKAGE
TD5-36	5.4	36.5	18.4	φ4.5	0.8~1.2	3.8	500
TDB-3	8.0	3.2	21.7	φ6.7	0.8~1.4	5.3	1000
TD12-3	11.8	3.3	29.0	φ10.6	0.8~1.4	5.3	
TD11-20A	11.5	19.9	28.2	φ10.0	0.8~2.2	3.6	500

隔離束線座 WIRE CLIP



MATERIAL: NYLON 66(UL)
FLAME CLASS: 94V-2
COLOR: NATURAL

WITH LOCK FEATURE



PART NO.	A	B	C	CLOSE A	PACKAGE
TG12-03	11.8	11.5	6.35	φ10.5	500

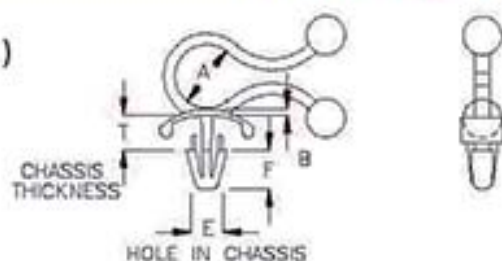
6-111-3

隔離束線座 WIRE CLIP



MATERIAL: NYLON 66(UL)
FLAME CLASS: 94V-2
COLOR: NATURAL

WITH LOCK FEATURE



PART NO.	A	B	CLOSE A	T CHASSIS THICKNESS	E	F	PACKAGE
TDYB-1	8.2	1.0	φ7.0	2.7~3.9	φ4.0	5.1	1000
TDYB-1A	8.3	1.0	φ7.1	0.8~2.1	φ3.0	3.7	
TDYB-1C	8.2	1.0	φ7.1	0.8~2.3	φ4.5	4.9	

線材固定, 線材隔離 CABLE CLAMP, SADDLE

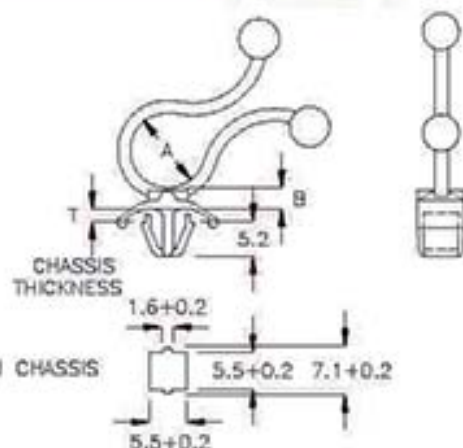
PINGOOD

6-112-1

隔離束線座 WIRE CLIP



MATERIAL: NYLON 66(UL)
FLAME CLASS: 94V-2
COLOR: NATURAL



Built-In Anti-Spin Function
WITH LOCK FEATURE

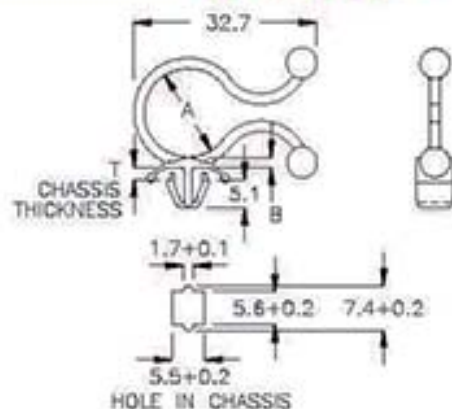
PART NO	A	B	CLOSE A	T CHASSIS THICKNESS	PACKAGE
TDY11-3	11.0	3.2	φ9.6	0.8~1.2	500

6-112-2

隔離束線座 WIRE CLIP



MATERIAL: NYLON 66(UL)
FLAME CLASS: 94V-2
COLOR: NATURAL



Built-In Anti-Spin Function
WITH LOCK FEATURE

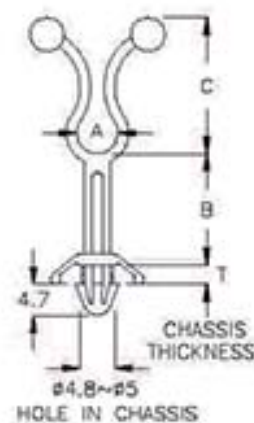
PART NO	A	B	CLOSE A	T CHASSIS THICKNESS	PACKAGE
TDR16-1K	16.2	1.9	φ14.5	1.2~1.5	500

6-112-3

隔離束線座 WIRE SADDLE



MATERIAL: NYLON 66(UL)
FLAME CLASS: 94V-2
COLOR: NATURAL



UL E154548(s)
WITH LOCK FEATURE

PART NO	A	B	C	CLOSE DIA	T CHASSIS THICKNESS	PACKAGE
TK6-34	6.1	34.0	20.2	φ5.1	0.5~2.3	500

線材固定, 線材隔離 CABLE CLAMP, SADDLE

PINGOOD

6-113-1

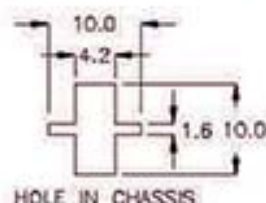
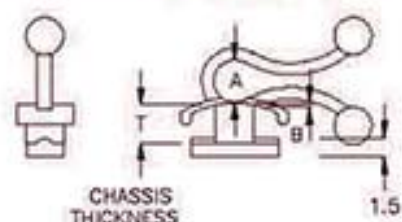
隔離束線座 WIRE CLIP



MATERIAL: NYLON 66(UL)
FLAME CLASS: 94V-2
COLOR: NATURAL

Insert With 90 Degree Angle
And Press Down
WITH LOCK FEATURE

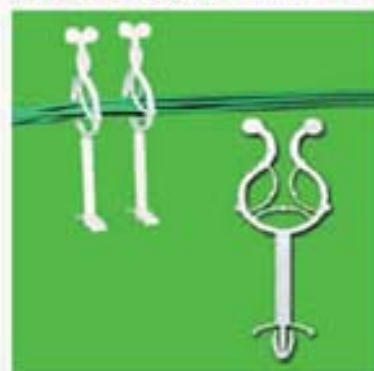
PART NO	A	B	CLOSE DIA	T CHASSIS THICKNESS	PACKAGE
TEY4-1	4.5	0.25	φ3.7	2.7~3.7	1000



HOLE IN CHASSIS

6-113-2

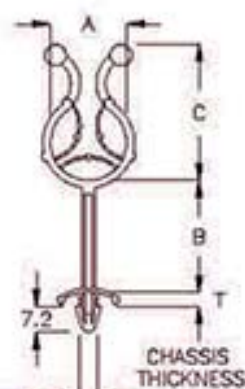
隔離束線座 WIRE CLIP



MATERIAL: NYLON 66(UL)
FLAME CLASS: 94V-2
COLOR: NATURAL

WITH LOCK FEATURE

PART NO	A	B	C	MAX BUNDLE DIA	T CHASSIS THICKNESS	PACKAGE
TE21-04	20.5	4.0	37.2	φ14.5	1.0~3.1	500
TE21-32	20.5	32.1	37.2	φ14.5	1.0~3.1	
TE21-40	20.5	40.1	37.2	φ14.5	1.0~3.1	



CHASSIS THICKNESS

φ4.8~φ5.0

HOLE IN CHASSIS

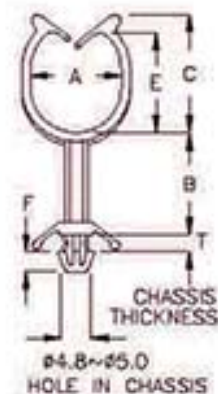
6-113-3

隔離束線座 WIRE SADDLE



MATERIAL: NYLON 66(UL)
FLAME CLASS: 94V-0
COLOR: NATURAL

PART NO	A	B	C	E	T CHASSIS THICKNESS	F	PACKAGE
TU14-7	14.5	7.0	19.5	16.2	0.5~2.0	3.4	500
TU14-12	14.8	12.0	19.5	16.7	0.5~2.3	2.8	
TU14-17	14.8	16.8	19.5	16.2	0.5~2.3	3.5	
TU14-25	14.8	25.0	19.5	16.2	0.5~2.3	3.5	
TU14-27	14.8	26.8	19.5	16.2	0.5~2.3	3.6	
TU14-37	14.8	36.8	19.5	16.2	0.5~2.3	3.5	



CHASSIS THICKNESS

φ4.8~φ5.0

HOLE IN CHASSIS

6-114-1

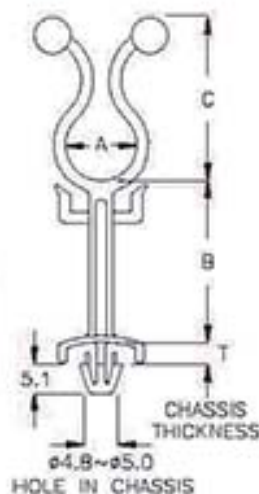
隔離束線座 WIRE SADDLE



MATERIAL: NYLON 66(UL)
FLAME CLASS: 94V-0
COLOR: NATURAL

WITH LOCK FEATURE

PART NO	A	B	C	CLOSE DIA	CHASSIS THICKNESS	PACKAGE
TX11-52	11.8	52.5	26.6	φ10.2	0.3~2.5	500



6-114-2

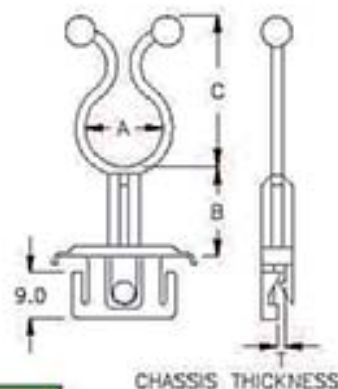
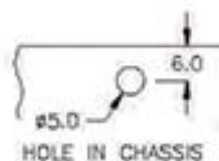
隔離束線座 WIRE SADDLE



MATERIAL: NYLON 66(UL)
FLAME CLASS: 94V-2
COLOR: NATURAL

WITH LOCK FEATURE

PART NO	A	B	C	CHASSIS THICKNESS	CLOSE DIA	PACKAGE
TT15-10	14.9	10.0	29.2	1.6~2.0	φ13.3	500
TT15-10A	14.9	10.0	29.2	2.1~2.5		
TT15-17	14.9	17.4	29.2	1.6~2.0		



6-114-3

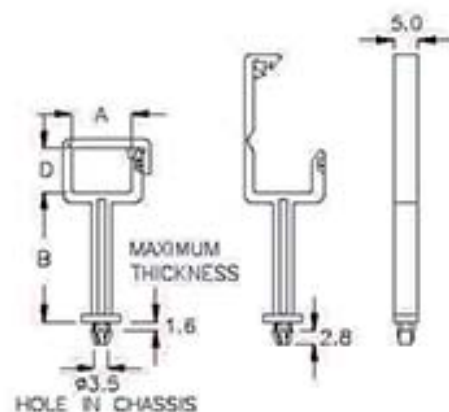
隔離束線座 WIRE SADDLE



MATERIAL: NYLON 66(UL)
FLAME CLASS: 94V-2
COLOR: NATURAL

WITH LOCK FEATURE

PART NO	A	B	D	PACKAGE
CHB-26A	12.1	26.7	9.1	500



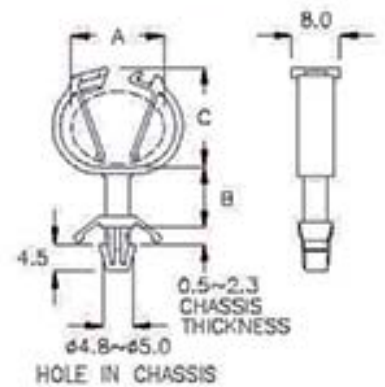
隔離束線座 WIRE SADDLE



MATERIAL: NYLON 66(UL)
FLAME CLASS: 94V-0
COLOR: NATURAL

WITH LOCK FEATURE

PART NO	A SUITABLE BUNDLE DIA	B	C	PACKAGE
TUT-10	ø9.0~ø12.5	10.0	15.8	500



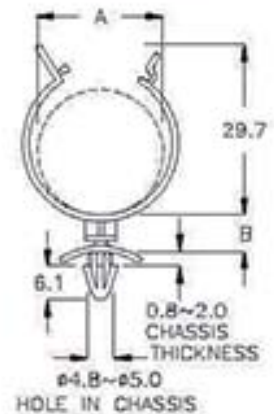
隔離束線座 WIRE SADDLE



MATERIAL: NYLON 66(UL)
FLAME CLASS: 94V-2
COLOR: NATURAL

WITH LOCK FEATURE

PART NO	A CLOSE DIA	B	PACKAGE
TC20-6	ø20.5	6.55	200

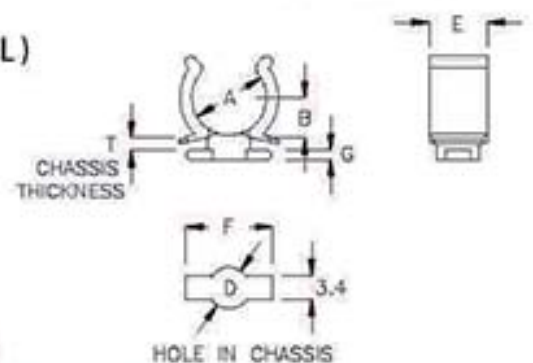


電線固定座 WIRE MOUNT



MATERIAL: NYLON 66(UL)
FLAME CLASS: 94V-2
COLOR: BLACK

INSERT WITH 90 DEGREE ANGLE
AND PRESS DOWN

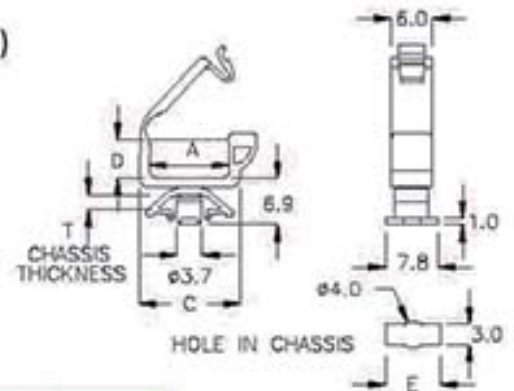


PART NO	A	B	D HOLE W/ CHASSIS	C	F	G	T CHASSIS THICKNESS	PACKAGE
CHQ-03	ø3.1	3.2	ø4.2	5.6	10.1	1.4	1.2	2000
CHQ-07	ø7.3	4.2	ø5.2	7.0	10.4	1.3	1.2	
CHQ-08	ø8.0	4.3	ø5.2	7.0	10.4	1.3	1.2	
CHQ-9	ø8.5	4.7	ø5.2	7.0	10.4	1.0	1.2	1000
CHQ-11	ø10.7	5.3	ø5.2	7.0	10.4	1.3	1.3	

隔離束線座 WIRE SADDLE



MATERIAL: NYLON 66(UL)
FLAME CLASS: 94V-2
COLOR: NATURAL



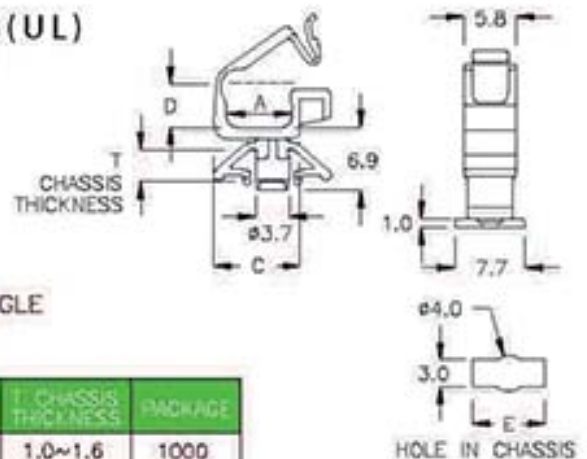
INSERT WITH 90 DEGREE ANGLE
AND PRESS DOWN
WITH LOCK FEATURE

PART NO	A	C	D	E	T CHASSIS THICKNESS	PACKAGE
CKB-7A	11.0	15.0	7.0	8.2	1.6	500
CKB-10A	16.0	19.8	10.0	8.0	0.8	

隔離束線座 WIRE SADDLE



MATERIAL: NYLON 66(UL)
FLAME CLASS: 94V-2
COLOR: NATURAL



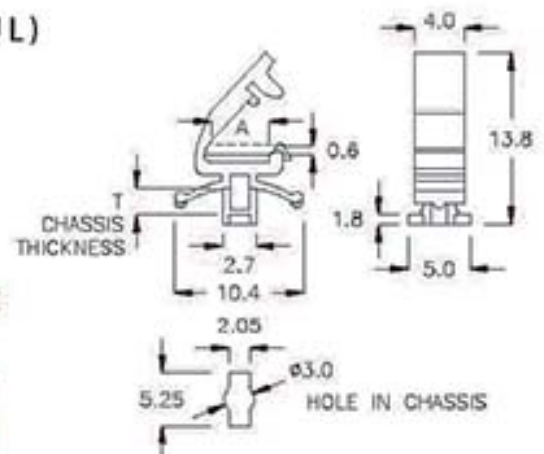
INSERT WITH 90 DEGREE ANGLE
AND PRESS DOWN
WITH LOCK FEATURE

PART NO	A	C	D	E	T CHASSIS THICKNESS	PACKAGE
CKB-4JH	7.2	9.4	4.8	8.0	1.0~1.6	1000

隔離束線座 WIRE SADDLE



MATERIAL: NYLON 66(UL)
FLAME CLASS: 94V-2
COLOR: NATURAL



INSERT WITH 90 DEGREE ANGLE
AND PRESS DOWN
WITH LOCK FEATURE

PART NO	A	T CHASSIS THICKNESS	PACKAGE
CKA-2A	4.0	1.0	2000

6-117-1

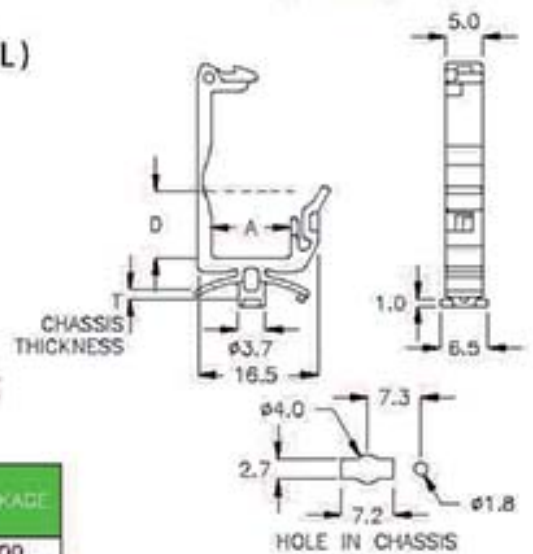
隔離束線座 WIRE SADDLE



MATERIAL: NYLON 66(UL)
FLAME CLASS: 94V-2
COLOR: NATURAL

INSERT WITH 90 DEGREE ANGLE
AND PRESS DOWN
WITH LOCK FEATURE

PART NO	A	D	T CHASSIS THICKNESS	PACKAGE
CKN-11Y	10.9	9.2	0.8~1.6	500

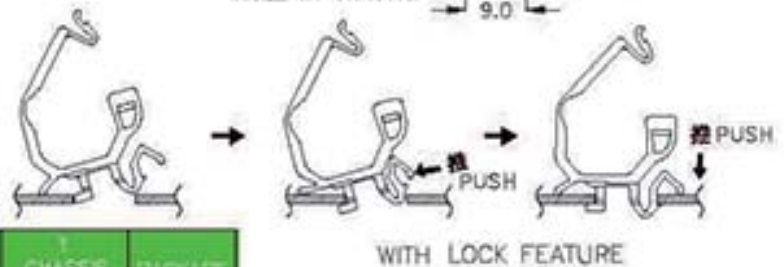
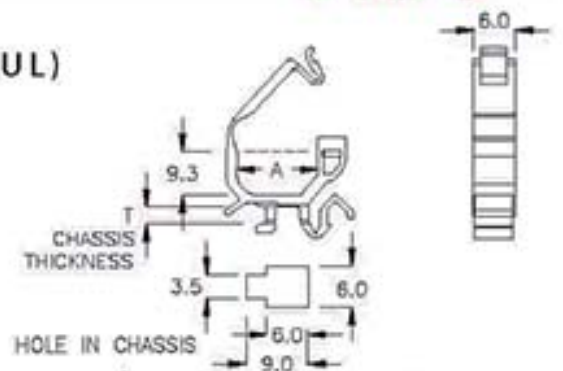


6-117-2

電線固定座 WIRE MOUNT



MATERIAL: NYLON 66(UL)
FLAME CLASS: 94V-2
COLOR: NATURAL



PART NO	A	T CHASSIS THICKNESS	PACKAGE
CKX-11A	11.8	1.2~1.6	500

6-117-3

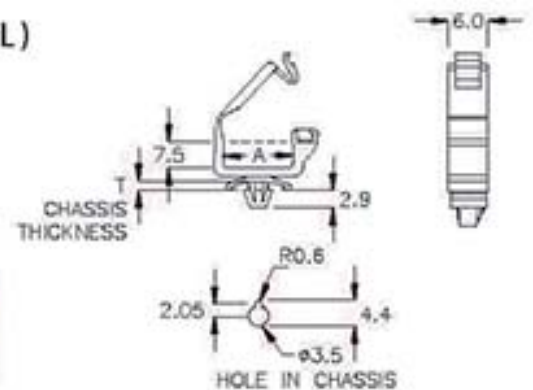
電線固定座 WIRE MOUNT



MATERIAL: NYLON 66(UL)
FLAME CLASS: 94V-2
COLOR: NATURAL

Build-In Anti-Spin Function
WITH LOCK FEATURE

PART NO	A	T CHASSIS THICKNESS	PACKAGE
CKY-11A	11.9	0.8~1.0	500



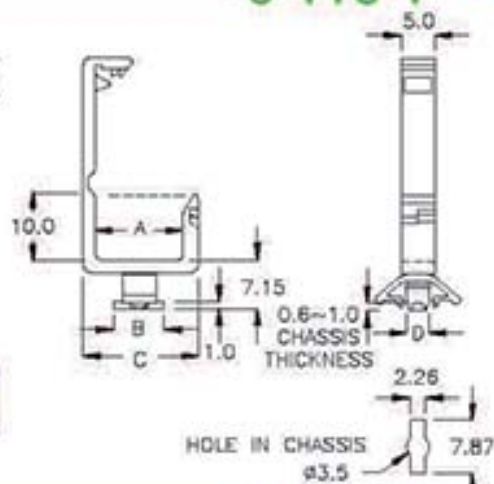
隔離束線座 WIRE SADDLE



MATERIAL: NYLON 66(UL)
FLAME CLASS: 94V-2
COLOR: NATURAL, BLACK

INSERT WITH 90 DEGREE ANGLE
AND PRESS DOWN
WITH LOCK FEATURE

PART NO.	A	B	C	D	PACKAGE
CMG-10	13.0	7.5	17.2	φ3.2	500



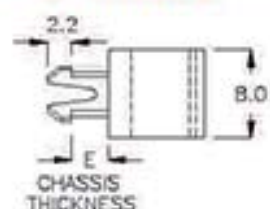
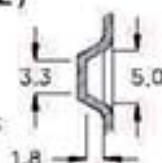
6-118-2

電線固定座 WIRE MOUNT

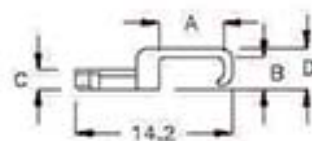


MATERIAL: NYLON 66(UL)
FLAME CLASS: 94V-2
COLOR: NATURAL

HOLE IN CHASSIS



PART NO.	A	B	C	D	E	PACKAGE
CKT-1A	5.9	2.9	1.7	3.7	3.1	1000
CKT-1C	5.9	2.7	1.7	3.5	3.1	



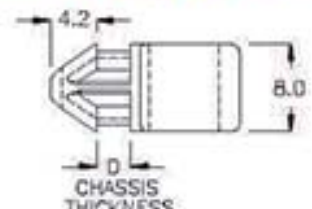
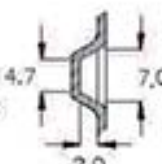
6-118-3

電線固定座 WIRE MOUNT

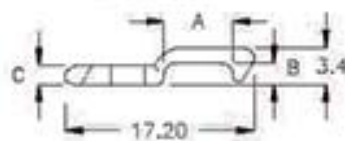


MATERIAL: NYLON 66(UL)
FLAME CLASS: 94V-2
COLOR: NATURAL

HOLE IN CHASSIS



PART NO.	A	B	C	D	PACKAGE
CKT-03	6.3	2.0	1.8	3.0	1000



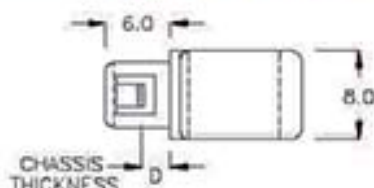
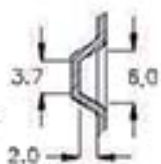
6-118-4

電線固定座 WIRE MOUNT

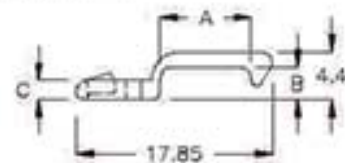


MATERIAL: NYLON 66(UL)
FLAME CLASS: 94V-2
COLOR: NATURAL

HOLE IN CHASSIS



PART NO.	A	B	C	D	PACKAGE
CKT-04	8.3	3.0	1.8	2.5	1000



線材固定, 線材隔離 CABLE CLAMP, SADDLE

PINGOOD

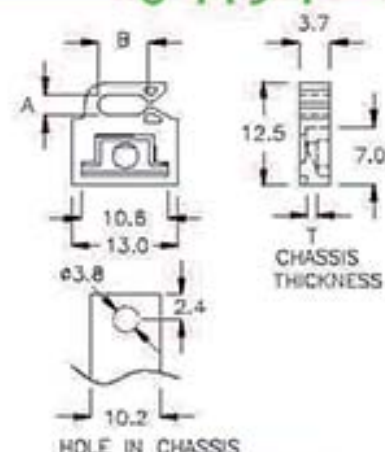
6-119-1

隔離束線座 WIRE SADDLE



MATERIAL: NYLON 66(UL)
FLAME CLASS: 94V-2
COLOR: BLACK

PART NO	A	B	↑ CHASSIS THICKNESS	PACKAGE
CTR-01	2.5	6.0	1.2~1.3	2000

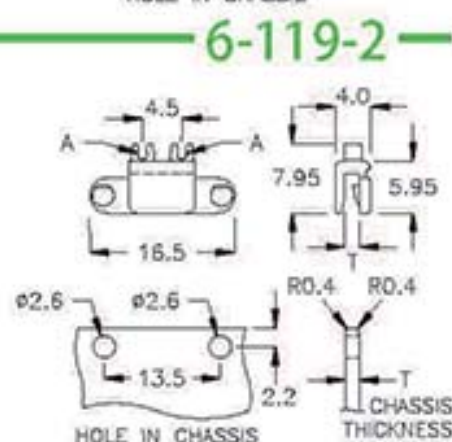


隔離束線座 WIRE SADDLE



MATERIAL: NYLON 66(UL)
FLAME CLASS: 94V-2
COLOR: BLACK

PART NO	A	↑ CHASSIS THICKNESS	PACKAGE
CMM-1AS	φ1.1	1.6	1000



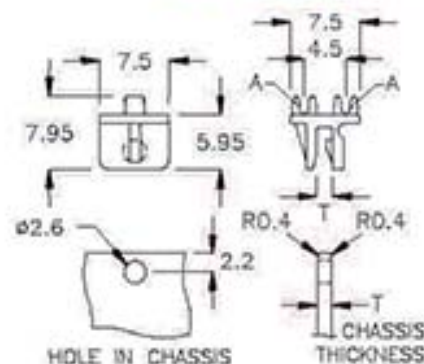
6-119-3

隔離束線座 WIRE SADDLE



MATERIAL: NYLON 66(UL)
FLAME CLASS: 94V-2
COLOR: NATURAL

PART NO	A	↑ CHASSIS THICKNESS	PACKAGE
CMQ-1TJ	φ1.1	1.6	2000



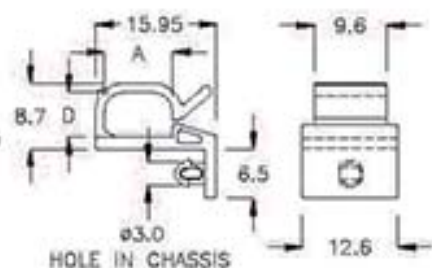
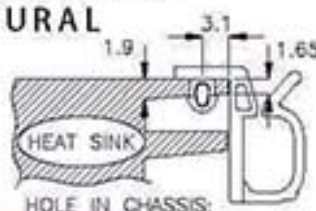
6-119-4

電線固定座 WIRE MOUNT



MATERIAL: NYLON 66(UL)
FLAME CLASS: 94V-2
COLOR: NATURAL

PART NO	A	D	PACKAGE
FAM-16	9.0	6.0	500



線材固定, 線材隔離 CABLE CLAMP, SADDLE

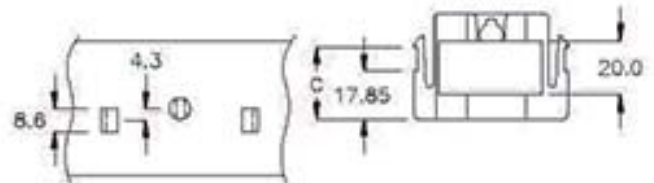
PINGOOD

6-120-1

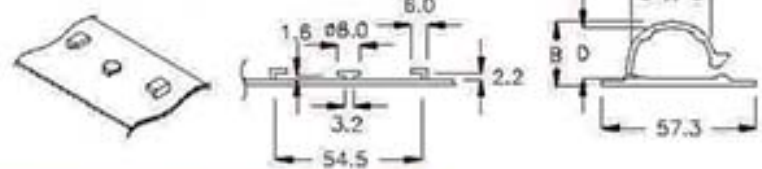
電線固定座 WIRE MOUNT



MATERIAL: NYLON 66(UL)
FLAME CLASS: 94V-2
COLOR: BLACK



HOLE IN CHASSIS:



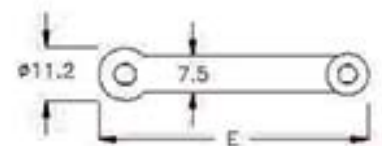
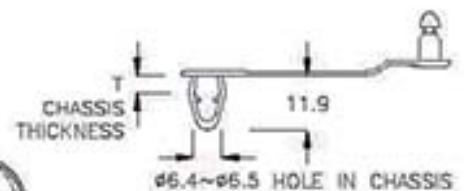
PART NO	A	B	C	D	PACKAGE
FWJ-01	28.6	24.0	26.5	19.1	100

6-120-2

電線固定扣 WIRE MOUNT



MATERIAL: NYLON 66(UL)
FLAME CLASS: 94V-2
COLOR: NATURAL



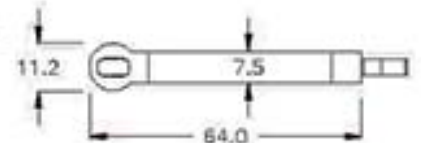
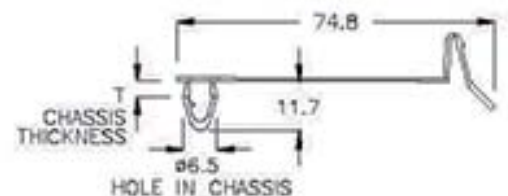
PART NO	A SUITABLE BUNDLE DIA	E	T CHASSIS THICKNESS	PACKAGE
PDT-06	6.5~6.5	47.6	0.8~2.4	500
PDT-08	7.0~8.5	53.6	0.8~2.4	
PDT-10	9.5~11.0	57.3	0.8~2.4	

6-120-3

電線固定座 WIRE MOUNT



MATERIAL: NYLON 66(UL)
FLAME CLASS: 94V-2
COLOR: NATURAL



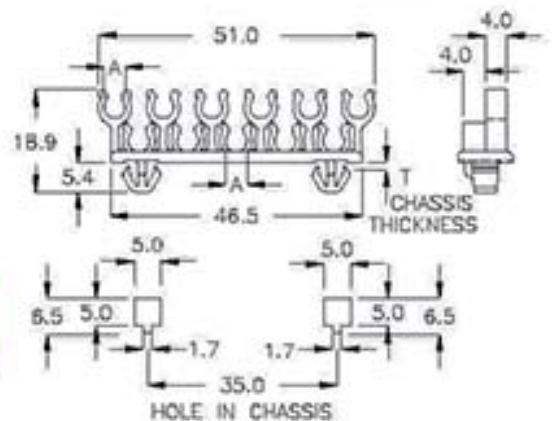
PART NO	A SUITABLE BUNDLE DIA	T CHASSIS THICKNESS	PACKAGE
PDT-1A	13.0	0.8~2.4	100

隔離束線座 WIRE SADDLE



MATERIAL: POM
FLAME CLASS: 94HB
COLOR: NATURAL

PART NO.	A	CHASSIS THICKNESS	PACKAGE
CTX-46K	4.0	1.0~1.5	200

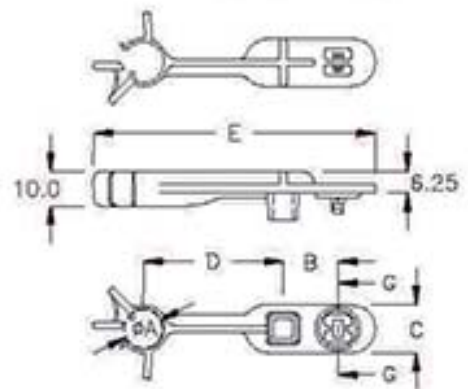
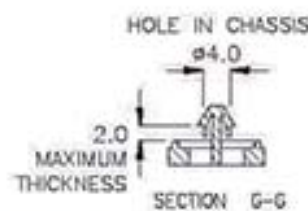


隔離束線座 WIRE SADDLE



MATERIAL: NYLON 66(UL)
FLAME CLASS: 94V-2
COLOR: BLACK

PART NO.	A	B	C	D	E	PACKAGE
FLA-50	9.6	16.0	14.0	40.3	82.3	100

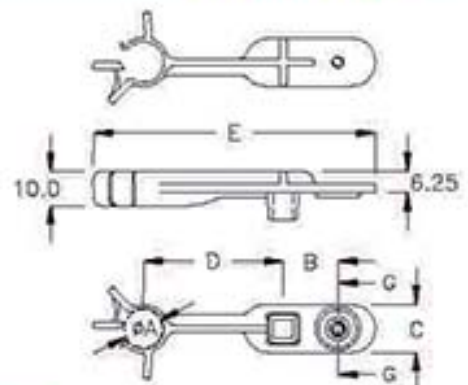
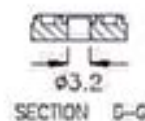


隔離束線座 WIRE SADDLE



MATERIAL: NYLON 66(UL)
FLAME CLASS: 94V-2
COLOR: BLACK

PART NO.	A	B	C	D	E	PACKAGE
FLA-50A	9.6	16.0	14.0	40.3	82.3	100



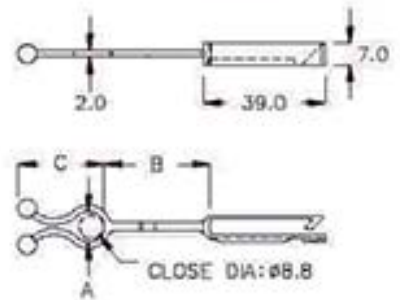
電線固定夾 WIRE CLIP



MATERIAL: NYLON 66(UL)
FLAME CLASS: 94V-2
COLOR: NATURAL

WITH LOCK FEATURE

PART NO	A	B	C	PACKAGE
CXT-10	10.0	33.8	27.8	100



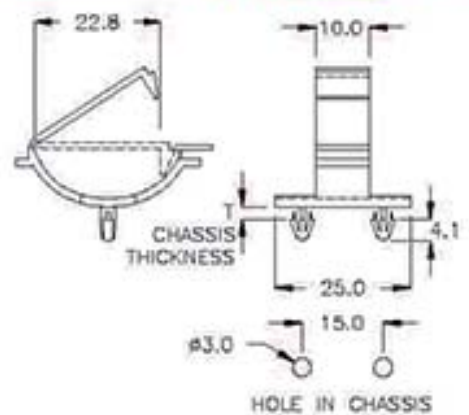
隔離束線座 WIRE MOUNT



MATERIAL: NYLON 66(UL)
FLAME CLASS: 94V-2
COLOR: NATURAL

WITH LOCK FEATURE

PART NO	CHASSIS THICKNESS	PACKAGE
CKK-02	1.8~2.0	500

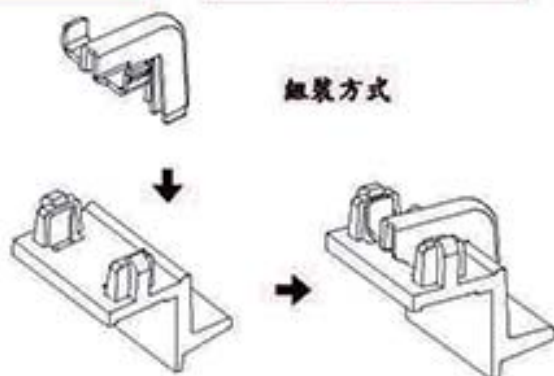


理線座 WIRE MOUNT

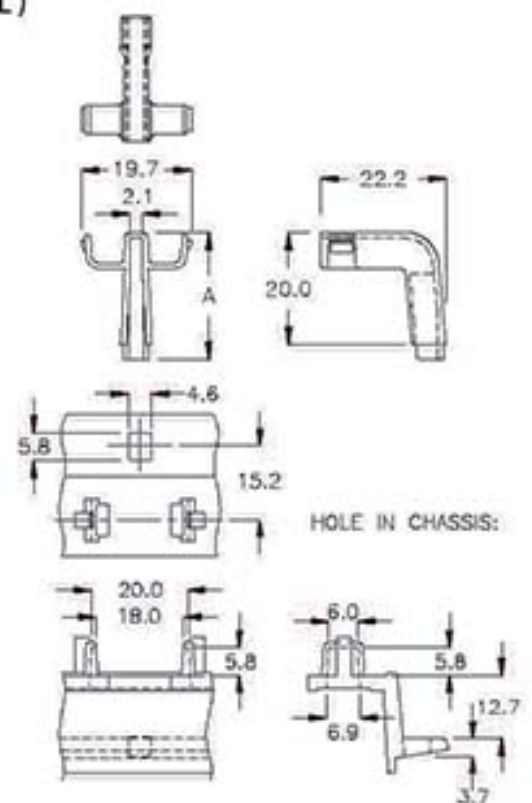


MATERIAL: NYLON 66(UL)
FLAME CLASS: 94V-2
COLOR: BLACK

PART NO	A	PACKAGE
DFA-22C	22.5	500



組裝方式

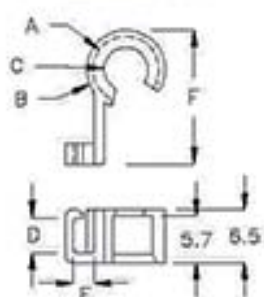


6-123-1



電線固定座 WIRE MOUNT

MATERIAL: NYLON 66(UL)
FLAME CLASS: 94V-0
COLOR: BLACK



PART NO	A	B	C	D	E	F	FORM	PACKAGE
KYK-08	ø8.1	ø9.7	ø5.5	4.3	2.5	16.5	1	1000
KYK-10A	ø10.1	ø11.9	ø7.7	4.3	2.5	17.6	1	
KYK-11	ø10.1	ø11.9	ø7.7	4.3	2.5	17.6	2	
KYK-14D	ø12.1	ø14.1	ø9.7	4.3	2.5	20.7	2	

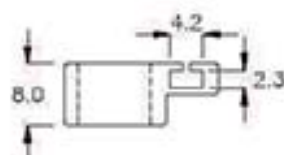
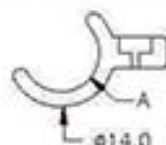
6-123-2



電線固定座 WIRE MOUNT

MATERIAL: NYLON 66(UL)
FLAME CLASS: 94V-0
COLOR: NATURAL

PART NO	A	PACKAGE
KYC-10RM	ø10.0	1000



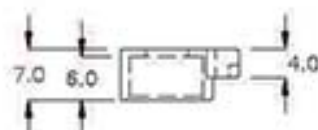
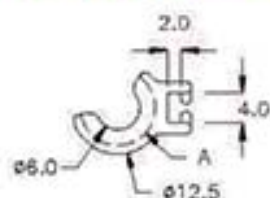
6-123-3



電線固定座 WIRE MOUNT

MATERIAL: NYLON 66(UL)
FLAME CLASS: 94V-0
COLOR: NATURAL

PART NO	A	PACKAGE
KYF-10	ø10.1	1000



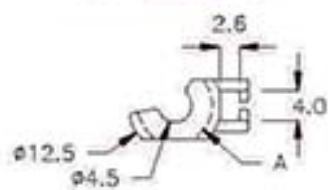
6-123-4



電線固定座 WIRE MOUNT

MATERIAL: NYLON 66(UL)
FLAME CLASS: 94V-0
COLOR: NATURAL

PART NO	A	PACKAGE
KYF-10BQ	ø10.0	1000



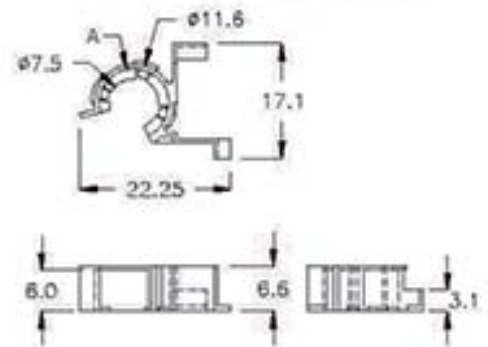
6-124-1



電線固定座 WIRE MOUNT

MATERIAL: NYLON 66(UL)
FLAME CLASS: 94V-0
COLOR: BLACK

PART NO	A	PACKAGE
KYM-10TP	ø10.4	1000



6-124-2

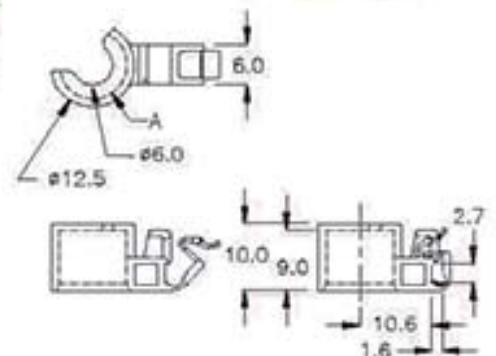


電線固定座 WIRE MOUNT

MATERIAL: NYLON 66(UL)
FLAME CLASS: 94V-0
COLOR: NATURAL

WITH LOCK FEATURE

PART NO	A	PACKAGE
KYR-10C	ø10.1	1000



6-124-3

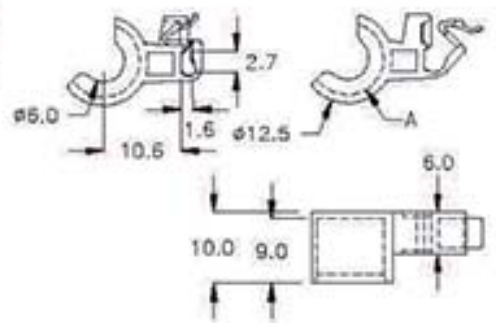


電線固定座 WIRE MOUNT

MATERIAL: NYLON 66(UL)
FLAME CLASS: 94V-0
COLOR: NATURAL

WITH LOCK FEATURE

PART NO	A	PACKAGE
KYR-10DA	ø10.1	1000



6-124-4

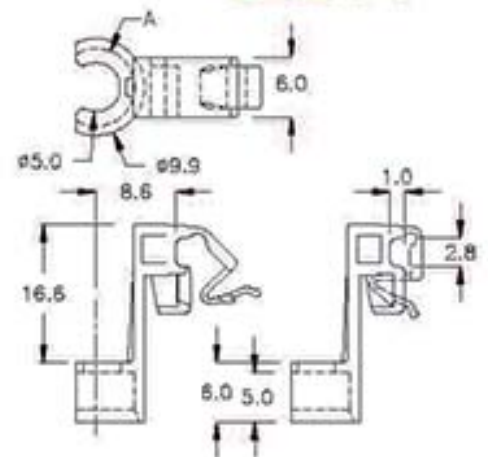


電線固定座 WIRE MOUNT

MATERIAL: NYLON 66(UL)
FLAME CLASS: 94V-0
COLOR: NATURAL

WITH LOCK FEATURE

PART NO	A	PACKAGE
KYT-08	ø7.9	1000



6-125-1

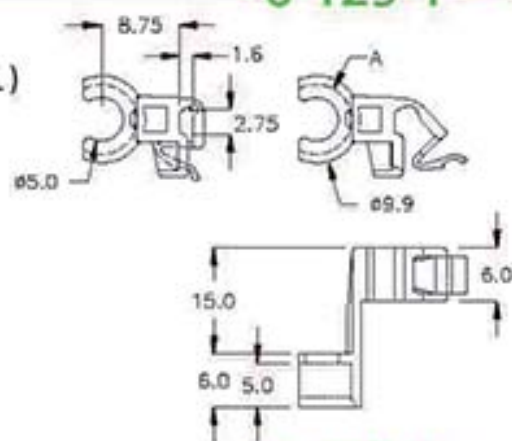
電線固定座 WIRE MOUNT



MATERIAL: NYLON 66(UL)
FLAME CLASS: 94V-0
COLOR: NATURAL

WITH LOCK FEATURE

PART NO.	A	PACKAGE
KYT-8MY	ø7.9	1000



6-125-2

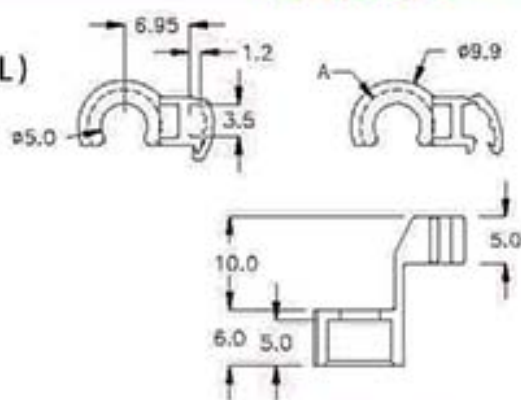
電線固定座 WIRE MOUNT



MATERIAL: NYLON 66(UL)
FLAME CLASS: 94V-0
COLOR: NATURAL

WITH LOCK FEATURE

PART NO.	A	PACKAGE
KYW-8HL	ø7.9	1000



6-125-3

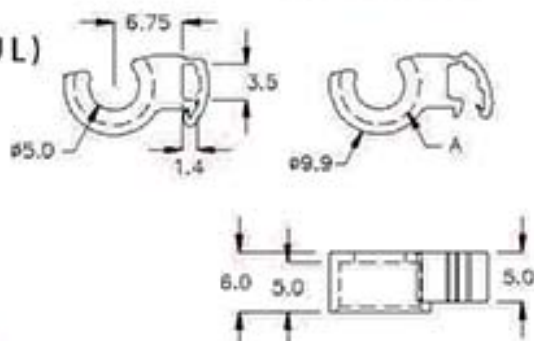
電線固定座 WIRE MOUNT



MATERIAL: NYLON 66(UL)
FLAME CLASS: 94V-0
COLOR: NATURAL

WITH LOCK FEATURE

PART NO.	A	PACKAGE
KYH-08	ø7.9	1000



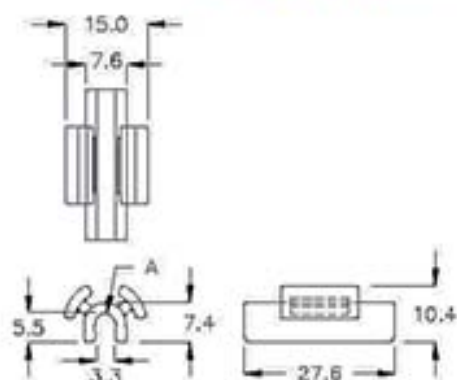
6-125-4

隔離束線座 WIRE SADDLE



MATERIAL: PP(UL)
FLAME CLASS: 94V-0
COLOR: BLACK

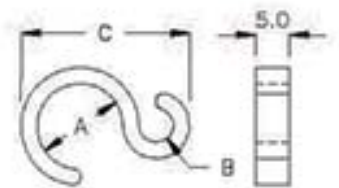
PART NO.	A	PACKAGE
CIM-27A	ø3.8	1000



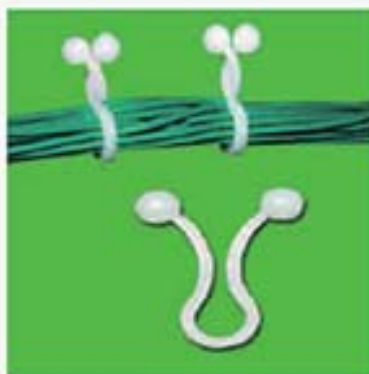


電線固定扣 WIRE MOUNT

MATERIAL: NYLON 66(UL)
FLAME CLASS: 94V-0
COLOR: NATURAL

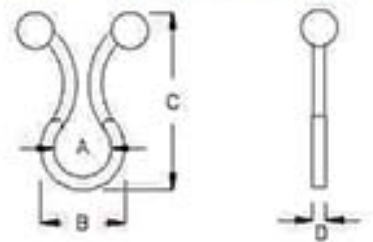


PART NO	A	B	C	PACKAGE
CHST-25	φ12.7	φ5.0	25.07	500
CHST-28	φ15.7	φ5.0	28.1	



電線固定環 TWIST LOCK

MATERIAL: NYLON 66(UL)
FLAME CLASS: 94V-2
COLOR: NATURAL



E154548(S)

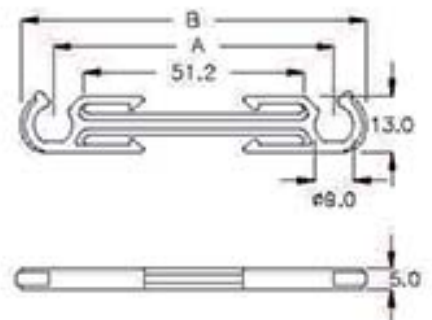
WITH LOCK FEATURE

PART NO	A	B	C	D	CLOSE DIA	UL	PACKAGE
A-3DS	3.9	6.3	14.5	1.3	φ3.0		1000
A-4A	4.4	7.2	14.95	1.6	φ3.5		
A-5KA	5.3	8.7	18.05	1.65	φ4.2		
A-5	5.0	8.5	22.0	1.8	φ4.2		
A-8	8.3	12.0	26.2	2.3	φ7.0	UL	
A-11	11.1	15.2	30.0	2.3	φ9.7		
A-13	13.2	17.2	32.5	2.3	φ11.5		
A-14A	14.7	18.7	35.0	2.0	φ13.2		
A-15	14.8	18.8	32.6	2.4	φ13.0		
A-15A	15.0	19.0	33.7	1.8	φ14.0		
A-18	19.2	23.3	38.5	2.0	φ16.3	UL	
A-19	18.9	22.9	35.0	2.2	φ17.3		
A-22	22.0	27.5	42.0	2.0	φ20.0	UL	
A-25	25.0	29.7	44.8	2.35	φ23.0		
A-28	29.0	33.5	55.5	2.0	φ26.8		
A-30	29.6	33.7	55.5	2.0	φ27.0		



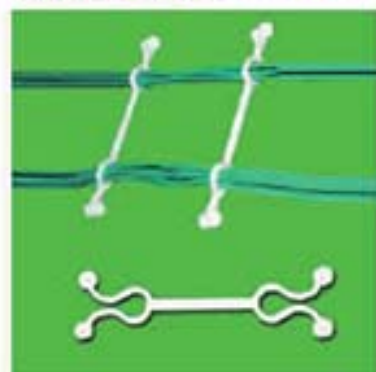
隔離束線座 WIRE SADDLE

MATERIAL: PP
COLOR: BLACK



PART NO	A	B	PACKAGE
CHA-01	65.0	80.0	200

電線固定環 TWIST LOCK

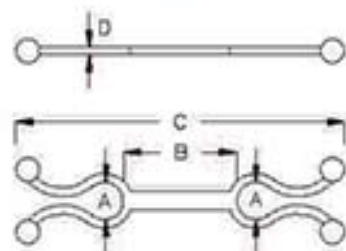


MATERIAL: NYLON 66(UL)
FLAME CLASS: 94V-2
COLOR: NATURAL, BLACK



WITH LOCK FEATURE

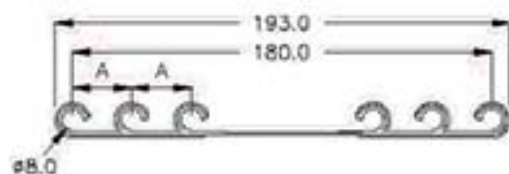
PART NO.	A	B	C	D	CLOSE DIA.	UL	PACKAGE
2A-7	7.0	32.7	73.8	1.9	φ5.9	UL	500
2A-7L	7.0	60.0	101.5	2.0	φ5.8		
2A-8	8.0	10.2	56.5	1.9	φ6.5	UL	
2A-10	10.0	30.4	82.2	2.0	φ8.6		
2A-10A	10.0	30.0	82.2	3.0	φ8.6		
2A-13S	14.8	85.0	147.8	2.0	φ12.2		200



電線固定座 WIRE MOUNT



MATERIAL: PP
COLOR: NATURAL



PART NO.	A	PACKAGE
6FW-11	22.0	100

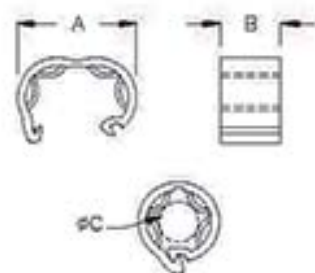
光纖固定座 FIBER HOUSING



MATERIAL: NYLON 66(UL)
FLAME CLASS: 94V-2
COLOR: NATURAL

WITH LOCK FEATURE

PART NO.	A	B	C SUITABLE CABLE DIA.	PACKAGE
CKR-01	11.5	6.0	φ4.0 ~ φ4.2	1000



6-128-1

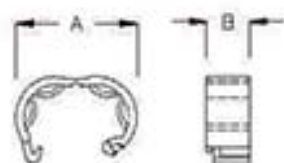
光纖固定座 FIBER HOUSING



MATERIAL: NYLON 66(UL)
FLAME CLASS: 94V-2
COLOR: NATURAL

WITH LOCK FEATURE

PART NO	A	B	C SUITABLE CABLE DIA	PACKAGE
CKR-02	15.0	5.3	ø5.3 ~ ø5.5	1000
CKR-3A	16.1	5.3	ø5.8 ~ ø6.0	



6-128-2

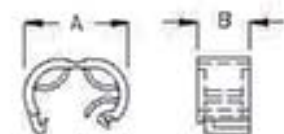
光纖固定座 FIBER HOUSING



MATERIAL: NYLON 66(UL)
FLAME CLASS: 94V-2
COLOR: NATURAL

WITH LOCK FEATURE

PART NO	A	B	C SUITABLE CABLE DIA	PACKAGE
CKR-1P	10.5	5.3	ø1.5 ~ ø1.7	1000



6-128-3

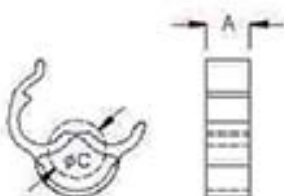
電線固定座 TIE MOUNT



MATERIAL: NYLON 66(UL)
FLAME CLASS: 94V-2
COLOR: NATURAL

WITH LOCK FEATURE

PART NO	A	C SUITABLE CABLE DIA	PACKAGE
CHH-01	8.0	ø8.6 ~ ø8.8	500
CHH-02	6.5	ø5.0 ~ ø5.2	
CHH-03	6.5	ø6.0 ~ ø6.2	1000
CHH-04	8.0	ø7.0 ~ ø7.2	500



6-128-4

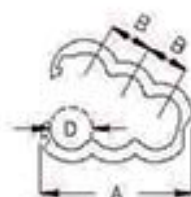
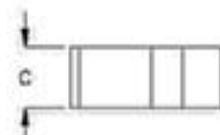
線夾 TUBE BINDER



MATERIAL: NYLON 66(UL)
FLAME CLASS: 94V-2
COLOR: BLACK

WITH LOCK FEATURE

PART NO	A	B	C	D CLOSE DIA	PACKAGE
FCM-20	14.2	4.1	6.0	ø4.4	1000
FCM-20C	8.6	2.3	5.0	ø2.1	



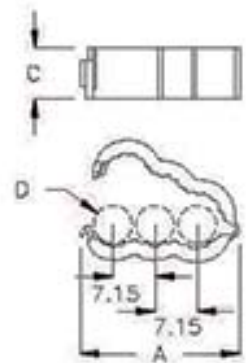
線夾 TUBE BINDER



MATERIAL: NYLON 66(UL)
FLAME CLASS: 94V-2
COLOR: BLACK

WITH LOCK FEATURE

PART NO	A	C	D CLOSE DIA	PACKAGE
FQC-17B	19.1	6.0	φ4.6	1000
FQC-22D	25.8	6.0	φ6.7	



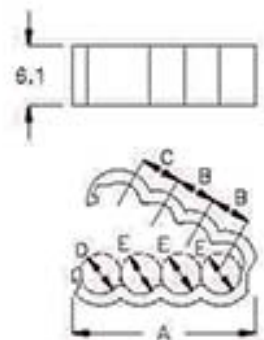
線夾 TUBE BINDER



MATERIAL: NYLON 66(UL)
FLAME CLASS: 94V-2
COLOR: BLACK

WITH LOCK FEATURE

PART NO	A	B	C	D CLOSE DIA	E CLOSE DIA	PACKAGE
FCM-20A	19.0	4.1	4.1	φ4.2	φ4.2	1000
FCM-20F	22.9	5.1	5.1	φ5.2	φ5.2	
FCM-20H	26.5	6.2	5.6	φ4.9	φ6.2	



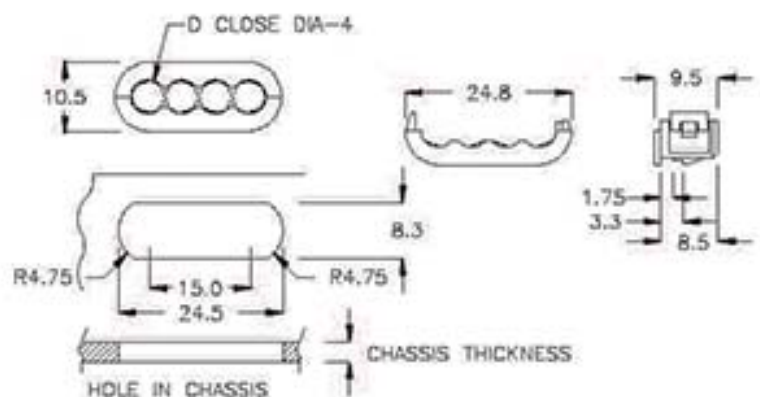
線夾 TUBE BINDER



MATERIAL: NYLON 66(UL)
FLAME CLASS: 94V-2
COLOR: BLACK

WITH LOCK FEATURE

PART NO	D CLOSE DIA	CHASSIS THICKNESS	PACKAGE
FCH-24A	φ4.7~φ5.0	1.5 , 3.0	500



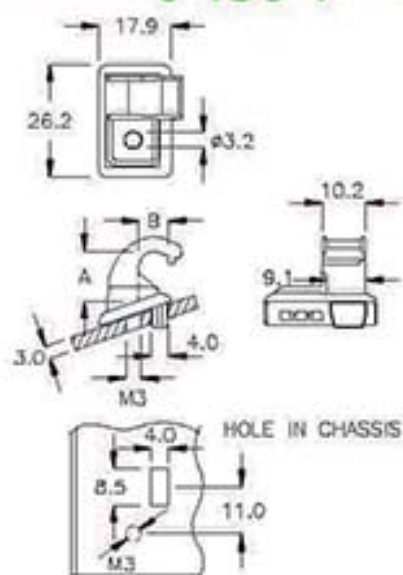
6-130-1

電線固定板 CABLE CLAMP



MATERIAL: NYLON 66(UL)
FLAME CLASS: 94V-2
COLOR: NATURAL

PART NO	A	B	PACKAGE
BAR-01	11.6	7.0	100



6-130-2

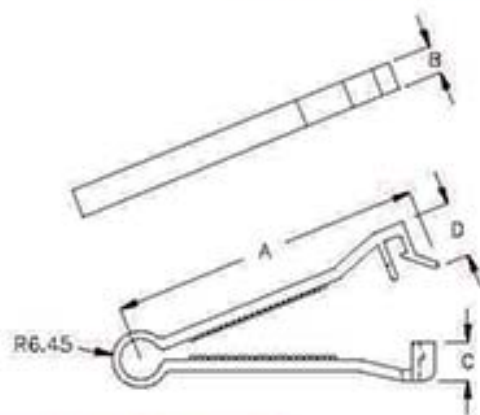
排線固定板 FLAT CABLE CLAMP



MATERIAL: NYLON 66(UL)
FLAME CLASS: 94V-2
COLOR: NATURAL

WITH LOCK FEATURE

PART NO	A	B	C	D	SUITABLE CABLE	PACKAGE
FCM-35A	70.55	6.4	8.9	12.5	40 PIN	200



6-130-3

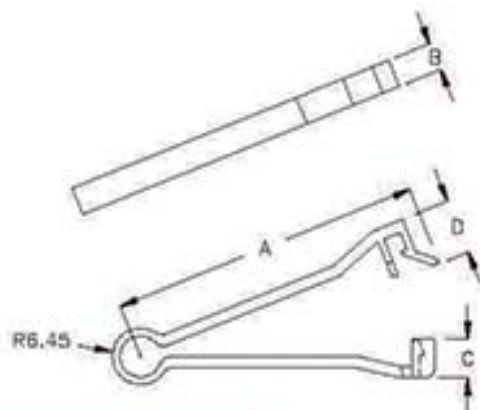
排線固定板 FLAT CABLE CLAMP



MATERIAL: NYLON 66(UL)
FLAME CLASS: 94V-2
COLOR: NATURAL

WITH LOCK FEATURE

PART NO	A	B	C	D	SUITABLE CABLE	PACKAGE
FCM-35S	52.55	6.4	8.9	12.5	30 PIN	200
FCM-35	70.55	6.4	8.9	12.5	40 PIN	
FCM-35M	97.65	7.9	8.9	12.7	60 PIN	



線材固定, 線材隔離 CABLE CLAMP, SADDLE

PINGOOD

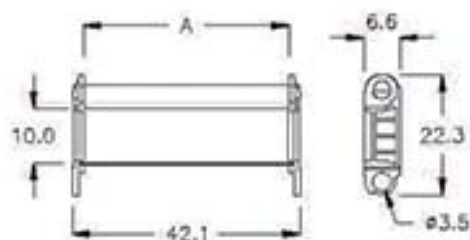
6-131-1

隔離束線座 WIRE SADDLE



MATERIAL: N66+25%FRP
FLAME CLASS: 94V-0
COLOR: BLACK

PART NO.	A	PACKAGE
DFK-38A	38.0	500



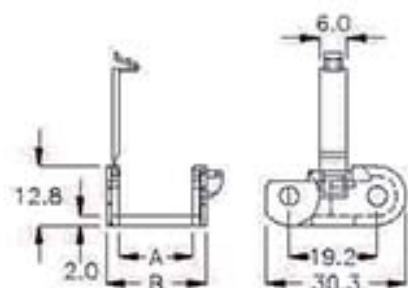
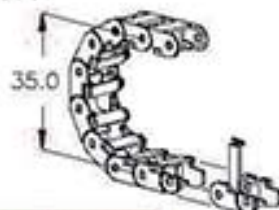
6-131-2

塑膠拖鏈 CABLE CARRIER



MATERIAL: NYLON 66(UL)
FLAME CLASS: 94V-2
COLOR: BLACK

PART NO.	A	B	PACKAGE
DFC-168L	16.0	22.5	200



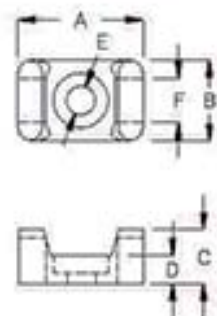
6-131-3

電線固定座 WIRE SADDLE



MATERIAL: NYLON 66(UL)
FLAME CLASS: 94V-2
COLOR: NATURAL
MUST BE USED WITH
CABLE TIES

PART NO.	A	B	C	D	E	F	PACKAGE
AB-1	15.3	10.0	6.6	3.4	$\phi 3.5$	5.1	1000
AB-1L	23.0	15.8	9.8	5.0	$\phi 6.5$	8.1	500
AB-1S	12.8	7.0	5.8	3.0	$\phi 3.3$	4.1	1000



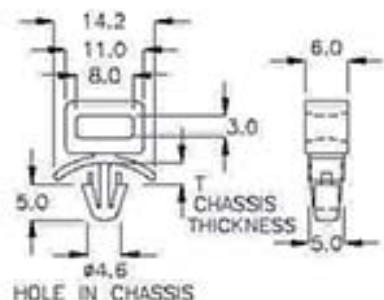
6-131-4

電線固定座 CABLE SADDLE



MATERIAL: NYLON 66(UL)
FLAME CLASS: 94V-2
COLOR: NATURAL
MUST BE USED WITH
CABLE TIES

PART NO.	T CHASSIS THICKNESS	PACKAGE
YLC-16T	0.8~2.0	500



線材固定, 線材隔離 CABLE CLAMP, SADDLE

PINGOOD

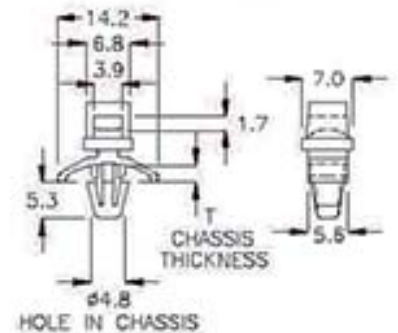
6-132-1

電線固定座 CABLE SADDLE



MATERIAL: NYLON 66(UL)
FLAME CLASS: 94V-2
COLOR: NATURAL
MUST BE USED WITH
CABLE TIES

PART NO	T CHASSIS THICKNESS	PACKAGE
YL-1	0.8~2.0	1000



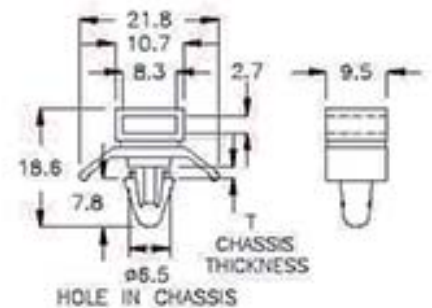
6-132-2

電線固定座 WIRE SADDLE



MATERIAL: NYLON 66(UL)
FLAME CLASS: 94V-2
COLOR: NATURAL
MUST BE USED WITH
CABLE TIES

PART NO	T CHASSIS THICKNESS	PACKAGE
YL-06	1.6	500



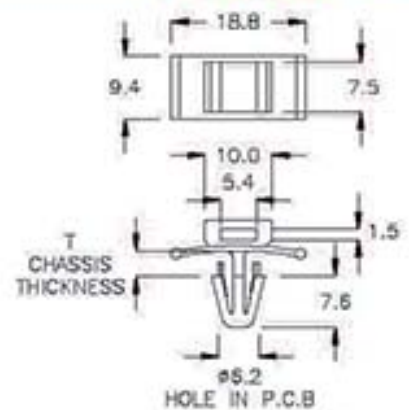
6-132-3

電線固定座 WIRE SADDLE



MATERIAL: NYLON 66(UL)
FLAME CLASS: 94V-2
COLOR: NATURAL
MUST BE USED WITH
CABLE TIES

PART NO	T CHASSIS THICKNESS	PACKAGE
YLA-01	3.2	500



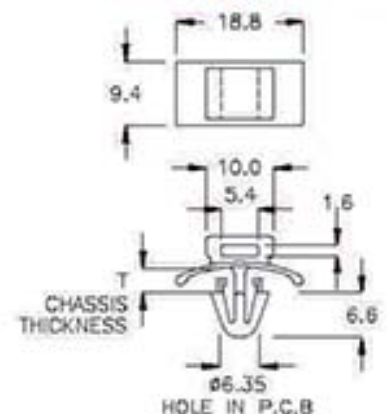
6-132-4

電線固定座 CABLE SADDLE



MATERIAL: NYLON 66(UL)
FLAME CLASS: 94V-2
COLOR: NATURAL
MUST BE USED WITH
CABLE TIES

PART NO	T CHASSIS THICKNESS	PACKAGE
YLB-1J	1.2~2.5	500



線材固定, 線材隔離 CABLE CLAMP, SADDLE

PINGOOD

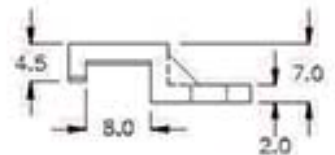
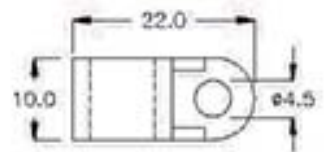
電線固定座 CABLE SADDLE



MATERIAL: NYLON 66(UL)
FLAME CLASS: 94V-2
COLOR: NATURAL
MUST BE USED WITH
CABLE TIES

PART NO	A	B	PACKAGE
YL-5	22.0	10.0	1000

6-133-1



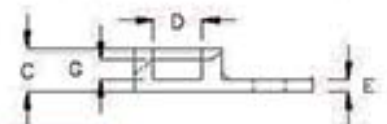
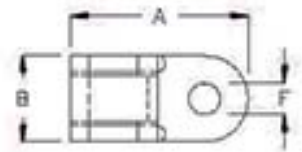
電線固定座 CABLE SADDLE



MATERIAL: NYLON 66(UL)
FLAME CLASS: 94V-2
COLOR: NATURAL
MUST BE USED WITH
CABLE TIES

PART NO	A	B	C	D	E	F	G	PACKAGE
YL-3	19.5	9.5	4.8	5.3	1.4	ø3.5	2.2	1000
YL-03A	19.0	9.6	5.1	5.0	1.6	ø4.5	2.0	
YL-3MC	21.0	11.5	5.2	5.3	1.8	ø5.2	2.0	

6-133-2



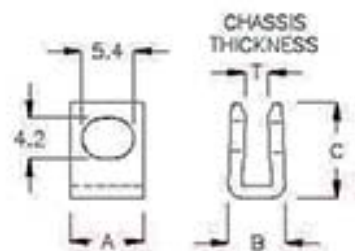
護線套 EDGING



MATERIAL: NYLON 66(UL)
FLAME CLASS: 94V-2
COLOR: NATURAL
MUST BE USED WITH
CABLE TIES

PART NO	A	B	C	T CHASSIS THICKNESS	PACKAGE
UTF-7A	7.5	5.8	9.8	3.0	1000

6-133-3



排線固定板 FLAT CABLE CLAMP

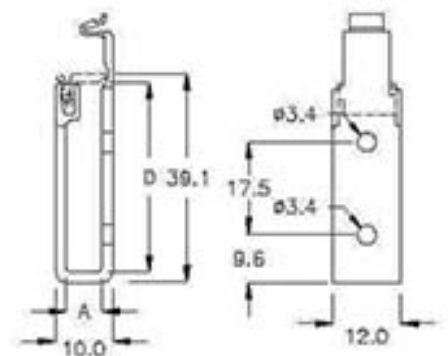


MATERIAL: NYLON 66(UL)
FLAME CLASS: 94V-2
COLOR: NATURAL

Include Lock Function

PART NO	A	D	PACKAGE
CZD-39A	6.4	35.8	100

6-133-4



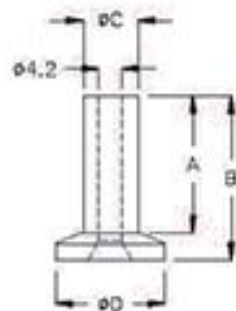
6-134-1



固定座 MOUNT

MATERIAL: NYLON 66(UL)
FLAME CLASS: 94V-2
COLOR: BLACK

PART NO	A	B	C	D	PACKAGE
FWK-23	23.0	28.0	9.8	19.6	200
FWK-25	25.0	30.0	10.0	20.0	
FWK-27	27.5	32.5	9.8	19.6	



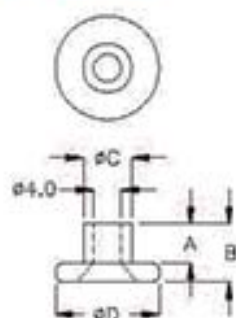
6-134-2



固定座 MOUNT

MATERIAL: NYLON 66(UL)
FLAME CLASS: 94V-2
COLOR: BLACK

PART NO	A	B	C	D	PACKAGE
FWK-08	5.7	8.4	7.0	14.9	500



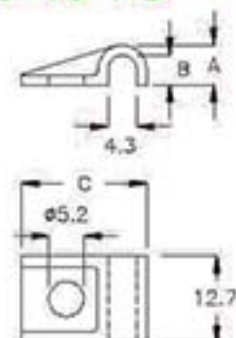
6-134-3



電線固定板 WIRE CLAMP

MATERIAL: NYLON 66(UL)
FLAME CLASS: 94V-2
COLOR: NATURAL

PART NO	A	B	C	PACKAGE
FSA-01	5.9	4.4	18.6	500



6-134-4

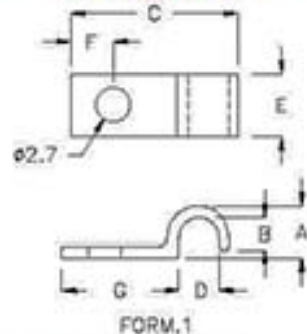
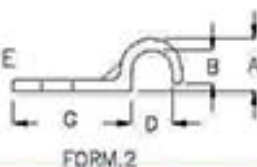


壓線固定板 WIRE CLAMP

MATERIAL: NYLON 66(UL)
FLAME CLASS: 94V-2
COLOR: NATURAL

此產品亦可貼背膠

OPTIONAL WITH ADHESIVE TAPE
ON BASE OF WIRE CLAMP



PART NO	A	B	C	D	E	F	G	FORM	PACKAGE
FSK-5A	3.0	1.8	12.8	2.0	5.0	5.0	10.0	1	1000
FSK-08	4.5	3.2	14.3	3.5	8.0	3.7	10.0	2	
FSK-10	5.5	4.1	15.3	4.5	10.0	3.7	10.0	2	500
FSK-10RP	6.5	5.0	16.0	5.5	10.0	3.0	9.3	2	
FSK-10KM	7.5	5.9	17.0	6.5	10.0	3.0	9.3	2	

線材固定, 線材隔離 CABLE CLAMP, SADDLE

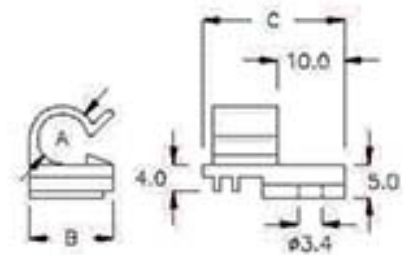
PINGOOD

6-135-1

隔離束線座 WIRE SADDLE



MATERIAL: NYLON 66(UL)
FLAME CLASS: 94V-2
COLOR: NATURAL
WITH M3 SCREW

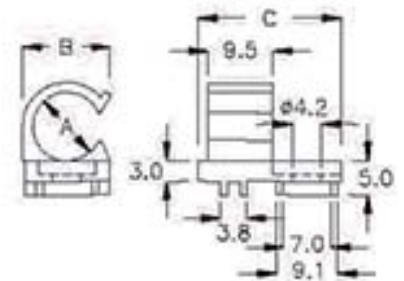
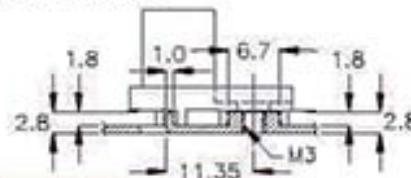


PART NO	A	B	C	PACKAGE
CHF-7	7.5	12.5	21.0	500

隔離束線座 WIRE SADDLE



MATERIAL: NYLON 66(UL)
FLAME CLASS: 94V-2
COLOR: NATURAL



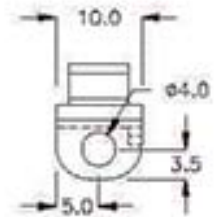
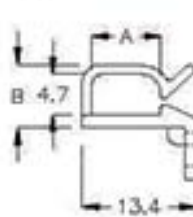
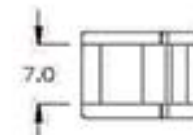
PART NO	A	B	C	PACKAGE
CHF-7A	10.0	12.8	21.0	500

6-135-2

電線固定座 WIRE MOUNT



MATERIAL: NYLON 66(UL)
FLAME CLASS: 94V-2
COLOR: NATURAL
WITH M3 or #6-32 SCREW



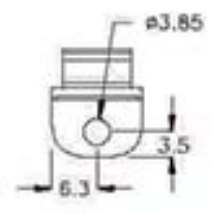
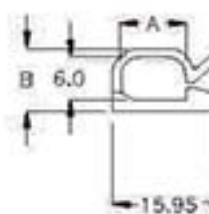
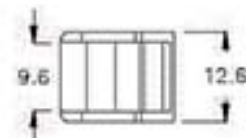
PART NO	A	B	PACKAGE
FAC-01	8.0	7.3	1000

6-135-3

電線固定座 WIRE MOUNT



MATERIAL: NYLON 66(UL)
FLAME CLASS: 94V-2
COLOR: NATURAL
WITH M3 or #6-32 SCREW



PART NO	A	B	PACKAGE
FAC-02	9.0	8.7	1000

6-135-4

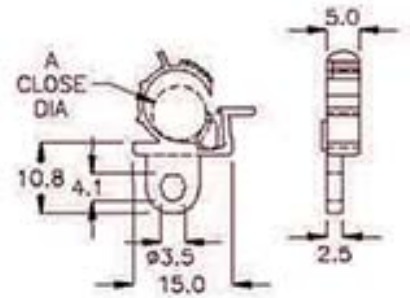
6-136-1

電源線固定座 POWER CORD MOUNTING



MATERIAL: NYLON 66(UL)
FLAME CLASS: 94V-2
COLOR: BLACK
WITH M3 SCREW

PART NO	A	PACKAGE
FW-8CM	ø7.5~ø8.3	100



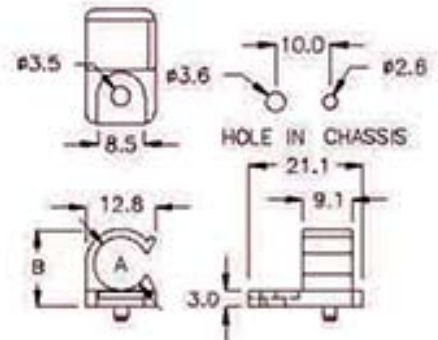
6-136-2

電線固定座 WIRE MOUNT



MATERIAL: NYLON 66(UL)
FLAME CLASS: 94V-2
COLOR: NATURAL
WITH M3 SCREW

PART NO	A	B	PACKAGE
FAF-10	ø10.0	14.5	500



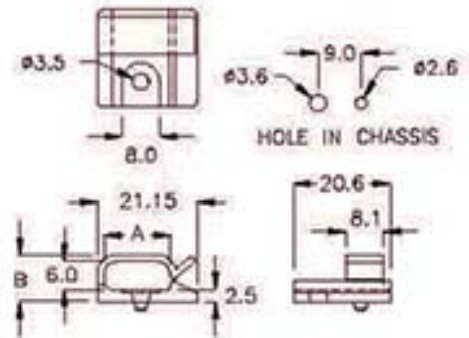
6-136-3

電線固定座 WIRE MOUNT



MATERIAL: NYLON 66(UL)
FLAME CLASS: 94V-2
COLOR: NATURAL
WITH M3 SCREW

PART NO	A	B	PACKAGE
FAG-01	14.0	9.9	500



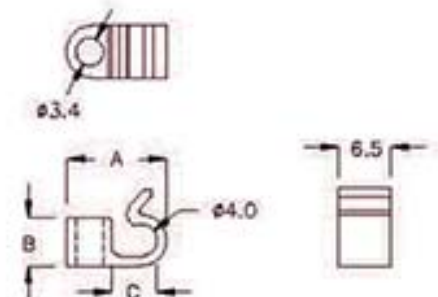
6-136-4

電線固定座 WIRE MOUNT



MATERIAL: NYLON 66(UL)
FLAME CLASS: 94V-2
COLOR: NATURAL
WITH M3 SCREW

PART NO	A	B	C	PACKAGE
CHG-04	12.3	6.0	5.5	1000

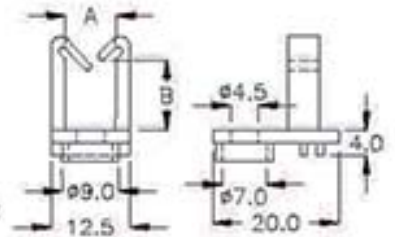
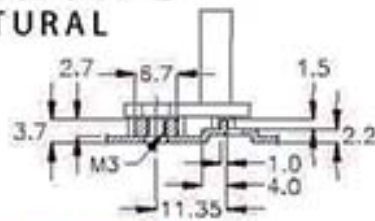


6-137-1

隔離束線座 WIRE SADDLE



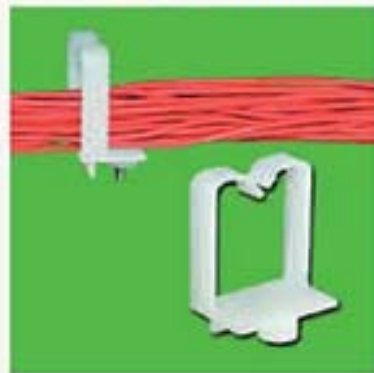
MATERIAL: NYLON 66(UL)
FLAME CLASS: 94V-2
COLOR: NATURAL



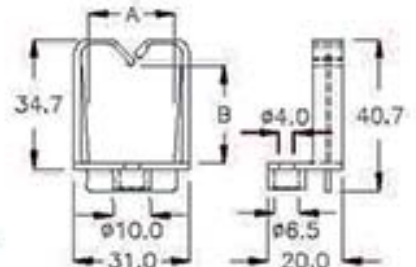
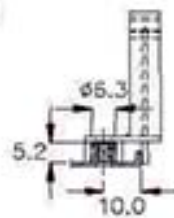
PART NO	A	B	PACKAGE
CHF-11E	8.0	11.2	500

6-137-2

隔離束線座 WIRE SADDLE



MATERIAL: NYLON 66(UL)
FLAME CLASS: 94V-2
COLOR: NATURAL
WITH M3 SCREW



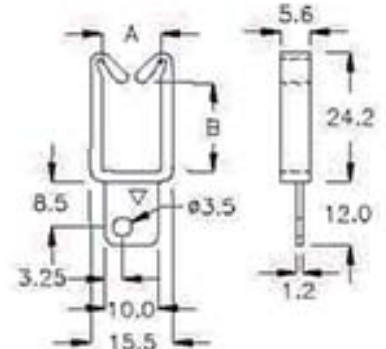
PART NO	A	B	PACKAGE
CHFM-27SJ	23.0	26.0	100

6-137-3

隔離束線座 WIRE SADDLE



MATERIAL: NYLON 66(UL)
FLAME CLASS: 94V-2
COLOR: NATURAL
WITH M3 SCREW



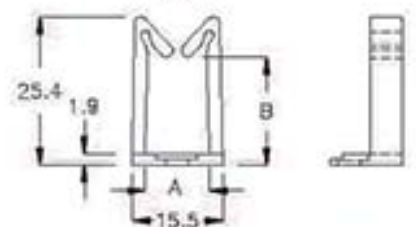
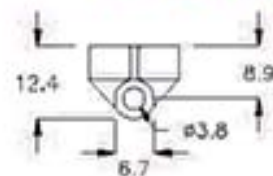
PART NO	A	B	PACKAGE
CNFK-11T	11.1	16.6	500

6-137-4

隔離束線座 WIRE SADDLE



MATERIAL: NYLON 66(UL)
FLAME CLASS: 94V-2
COLOR: NATURAL
WITH M3 or #6-32 SCREW



PART NO	A	B	PACKAGE
CNF-11	11.1	18.5	500

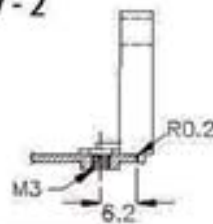
線材固定, 線材隔離 CABLE CLAMP, SADDLE

PINGOOD

隔離束線座 WIRE SADDLE

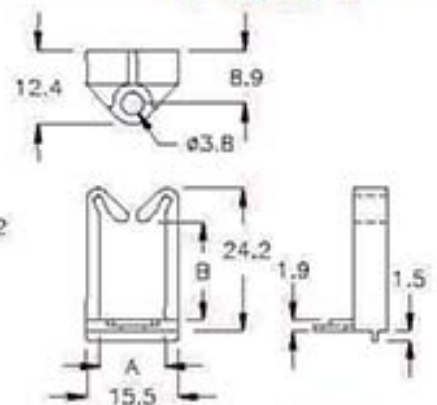


MATERIAL: NYLON 66(UL)
FLAME CLASS: 94V-2
COLOR: NATURAL
WITH M3 SCREW



PART NO	A	B	PACKAGE
CNFA-11GS	11.1	16.6	500

6-138-1



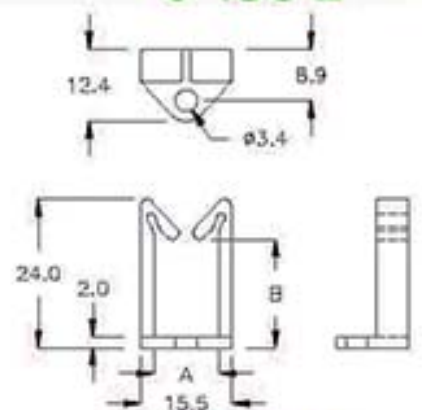
隔離束線座 WIRE SADDLE



MATERIAL: NYLON 66(UL)
FLAME CLASS: 94V-2
COLOR: NATURAL
WITH M3 SCREW

PART NO	A	B	PACKAGE
CNF-12R	12.0	18.5	500

6-138-2



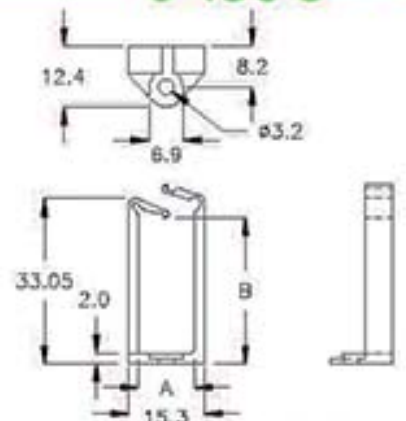
隔離束線座 WIRE SADDLE



MATERIAL: NYLON 66(UL)
FLAME CLASS: 94V-2
COLOR: NATURAL
WITH M3 SCREW

PART NO	A	B	PACKAGE
CNK-11DY	11.3	29.2	200

6-138-3



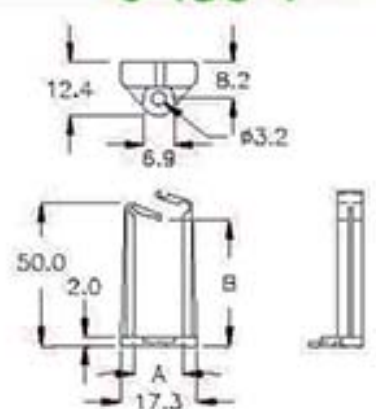
隔離束線座 WIRE SADDLE



MATERIAL: NYLON 66(UL)
FLAME CLASS: 94V-2
COLOR: BLACK
WITH M3 SCREW

PART NO	A	B	PACKAGE
CNK-11PH	11.3	46.1	100

6-138-4



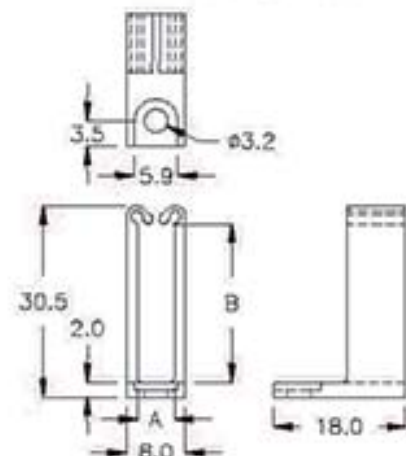


隔離束線座 WIRE SADDLE

MATERIAL: NYLON 66(UL)
FLAME CLASS: 94V-2
COLOR: BLACK
WITH M3 SCREW

NEW

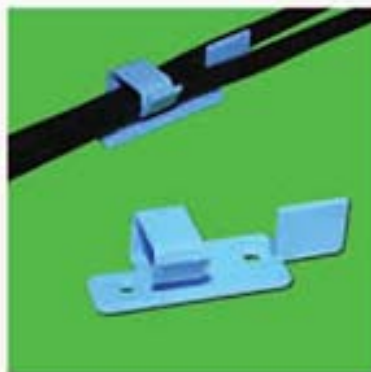
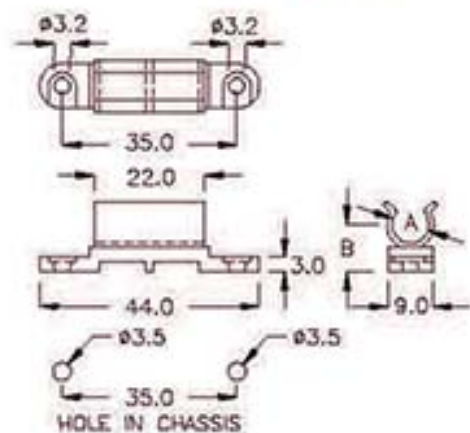
PART NO	A	B	PACKAGE
CNTF-SHY	5.0	26.0	200



電線固定座 WIRE MOUNT

MATERIAL: NYLON 66(UL)
FLAME CLASS: 94V-2
COLOR: NATURAL
WITH M3 SCREW

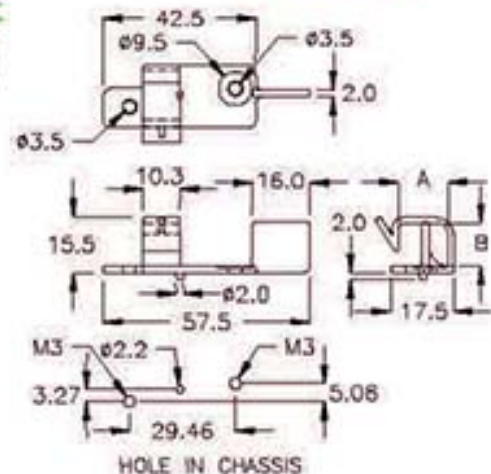
PART NO	A	B	PACKAGE
CMS-22JC	ø7.5	9.5	500



隔離束線座 WIRE SADDLE

MATERIAL: NYLON 66(UL)
FLAME CLASS: 94V-0
COLOR: BLUE
WITH M3 SCREW

PART NO	A	B	PACKAGE
CHFX-11JS	13.8	11.9	500



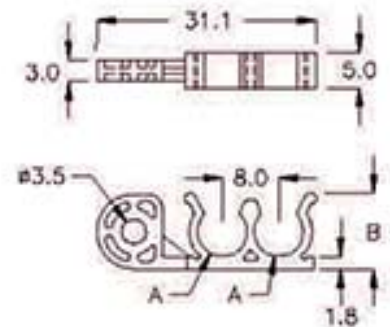
6-140-1

電線固定座 WIRE MOUNT



MATERIAL: NYLON 66(UL)
FLAME CLASS: 94V-2
COLOR: BLACK
WITH M3 SCREW

PART NO	A	B	PACKAGE
CNR-31A	ø7.0	10.8	500



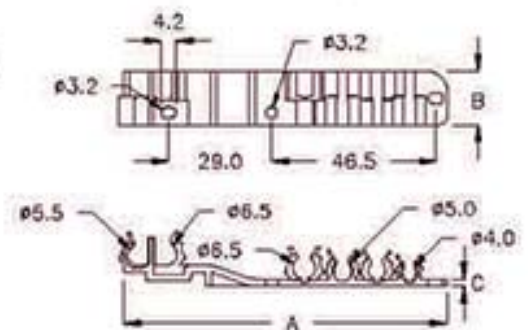
6-140-2



電線固定座 TIE MOUNT

MATERIAL: NYLON 66(UL)
FLAME CLASS: 94V-2
COLOR: NATURAL
WITH M3 SCREW

PART NO	A	B	C	PACKAGE
CTT-91	91.2	15.0	2.0	200



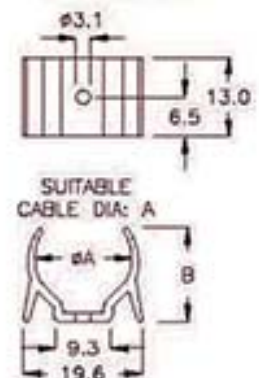
6-140-3



電線固定座 WIRE MOUNT

MATERIAL: NYLON 66(UL)
FLAME CLASS: 94V-2
COLOR: BLACK
WITH M3 SCREW

PART NO	A	B	PACKAGE
FW-08A	ø16.0	15.5	500



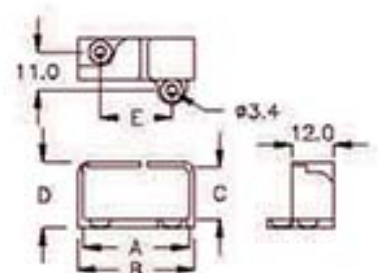
6-140-4



隔離束線座 WIRE SADDLE

MATERIAL: NYLON 66(UL)
FLAME CLASS: 94V-2
COLOR: BLACK
WITH M3 COUNTERSUNK SCREW

PART NO	A	B	C	D	E	PACKAGE
CND-30A	30.0	33.2	15.0	19.1	20.5	500
CND-40K	40.0	43.2	8.0	12.1	30.0	



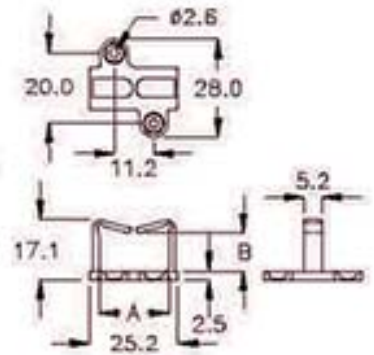
6-141-1



隔離束線座 WIRE SADDLE

MATERIAL: NYLON 66(UL)
 FLAME CLASS: 94V-2
 COLOR: BLACK
 WITH M2.5 COUNTERSUNK SCREW

PART NO	A	B	PACKAGE
CNW-20TP	20.0	10.7	100



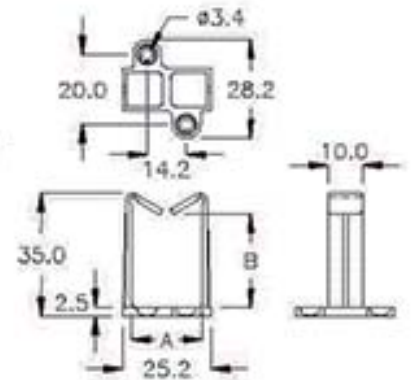
6-141-2



隔離束線座 WIRE SADDLE

MATERIAL: NYLON 66(UL)
 FLAME CLASS: 94V-2
 COLOR: BLACK
 WITH M3 COUNTERSUNK SCREW

PART NO	A	B	PACKAGE
CNW-20K	20.0	26.5	500



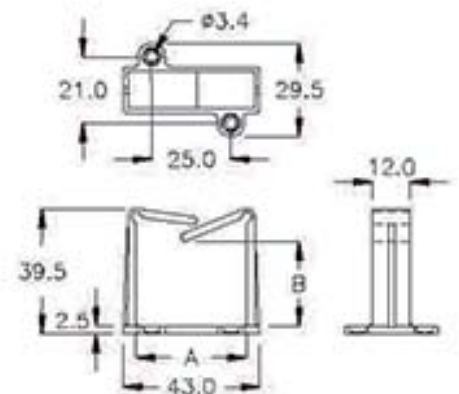
6-141-3



隔離束線座 WIRE SADDLE

MATERIAL: NYLON 66(UL)
 FLAME CLASS: 94V-0
 COLOR: BLACK
 WITH M3 COUNTERSUNK SCREW

PART NO	A	B	PACKAGE
CNW-35H	35.0	26.7	100



6-142-1

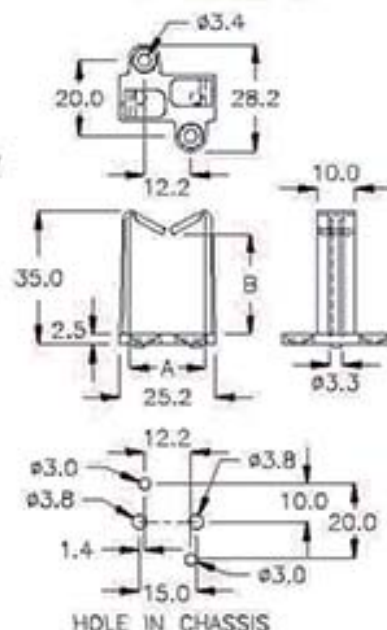
隔離束線座 WIRE SADDLE



MATERIAL: NYLON 66(UL)
 FLAME CLASS: 94V-0
 COLOR: BLACK
 WITH M3 COUNTERSUNK SCREW

NEW

PART NO	A	B	PACKAGE
★ CNWZ-20D	20.0	26.5	500



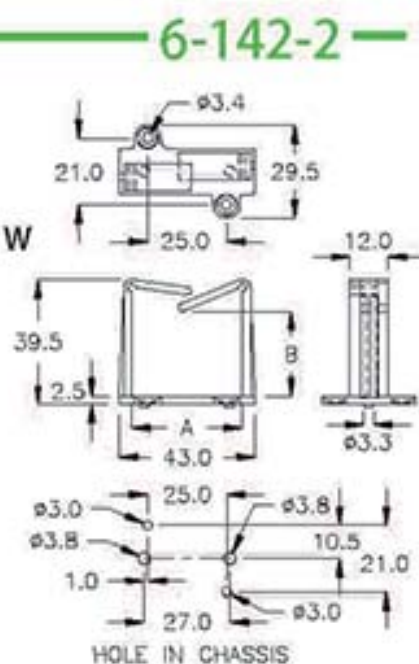
隔離束線座 WIRE SADDLE



MATERIAL: NYLON 66(UL)
 FLAME CLASS: 94V-0
 COLOR: BLACK
 WITH M3 COUNTERSUNK SCREW

NEW

PART NO	A	B	PACKAGE
★ CNWZ-35M	35.0	26.9	100

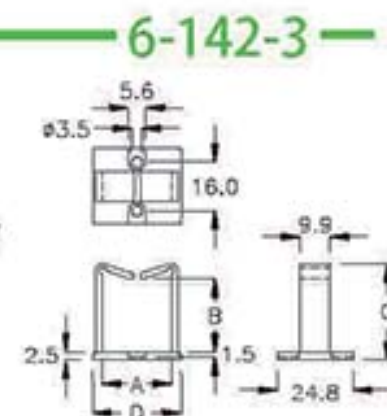


隔離束線座 WIRE SADDLE



MATERIAL: NYLON 66(UL)
 FLAME CLASS: 94V-2
 COLOR: BLACK
 WITH M3 COUNTERSUNK SCREW

PART NO	A	B	C	D	PACKAGE
CNH-22DC	22.8	24.0	31.5	28.8	100
CNH-28MG	28.6	40.4	53.2	35.0	

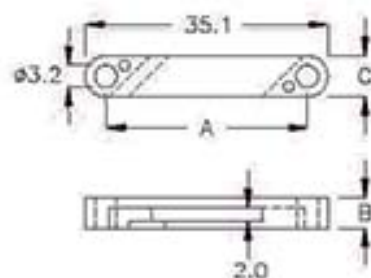




排線固定座 FLAT CABLE CLIP

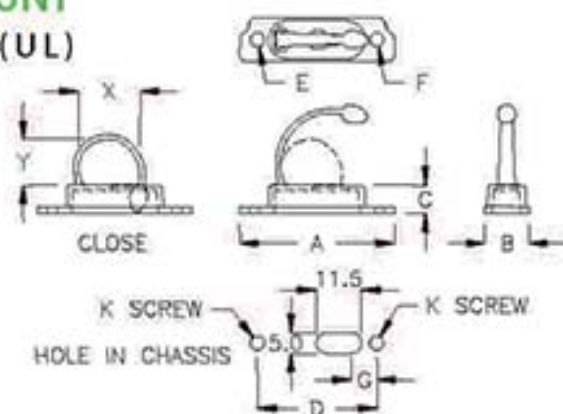
MATERIAL: NYLON 66(UL)
FLAME CLASS: 94V-2
COLOR: NATURAL

PART NO	A	B	C	PACKAGE
FCM-01	29.1	4.5	6.0	500



電線固定座 WIRE MOUNT

MATERIAL: NYLON 66(UL)
FLAME CLASS: 94V-2
COLOR: BLACK



WITH LOCK FEATURE

PART NO	A	B	C	D	E	F	G	K SCREW	K	Y	PACKAGE
CMD-3H	44.0	13.0	8.5	34.0	4.0	4.0	9.3	M3	18.0	20.8	200
CMD-3KZ	44.0	13.0	8.5	34.0	3.0	3.0	9.3	M2.5	18.0	20.8	
CMD-0B	44.0	12.5	8.0	34.0	4.0	4.0	9.5	M3	14.7	11.0	
CMD-8F	44.0	13.0	8.5	34.0	3.8	3.8	9.3	M3	16.0	14.2	
CMD-8TM	56.0	15.0	8.5	46.0	3.2x4.0	3.2	10.8	M3	23.0	16.0	

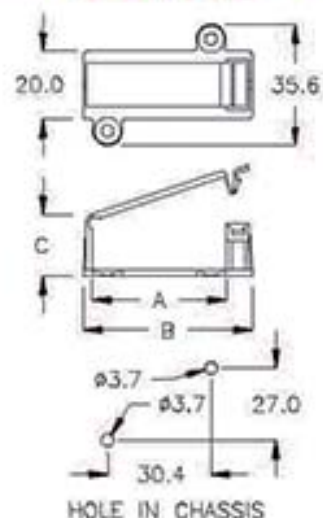


電線固定板 CABLE CLAMP

MATERIAL: NYLON 66(UL)
FLAME CLASS: 94V-2
COLOR: NATURAL
WITH M3 COUNTERSUNK SCREW

WITH LOCK FEATURE

PART NO	A	B	C	PACKAGE
FAK-39LY	39.4	49.7	18.0	100



電線固定座 WIRE MOUNT

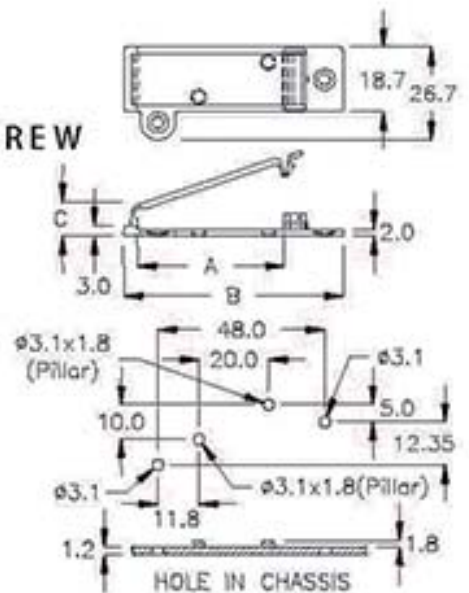


MATERIAL: NYLON 66(UL)
 FLAME CLASS: 94V-0
 COLOR: BLACK
 WITH M3 COUNTERSUNK SCREW

NEW

WITH LOCK FEATURE

PART NO	A	B	C	PACKAGE
★ FCWB-63TM	41.35	63.1	9.2	100

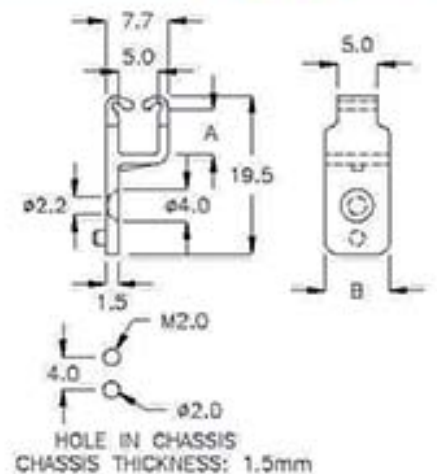


電線固定座 WIRE MOUNT



MATERIAL: NYLON 66(UL)
 FLAME CLASS: 94V-2
 COLOR: NATURAL

PART NO	A	B	PACKAGE
CNJ-19MT	5.5	8.0	500

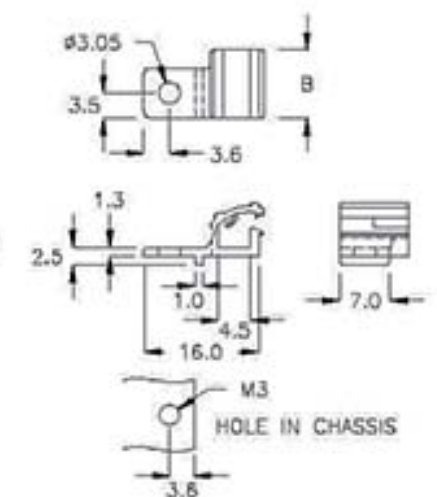


電線固定座 WIRE MOUNT



MATERIAL: NYLON 66(UL)
 FLAME CLASS: 94V-0
 COLOR: NATURAL

PART NO	A	B	PACKAGE
KYA-17	5.7	9.5	1000



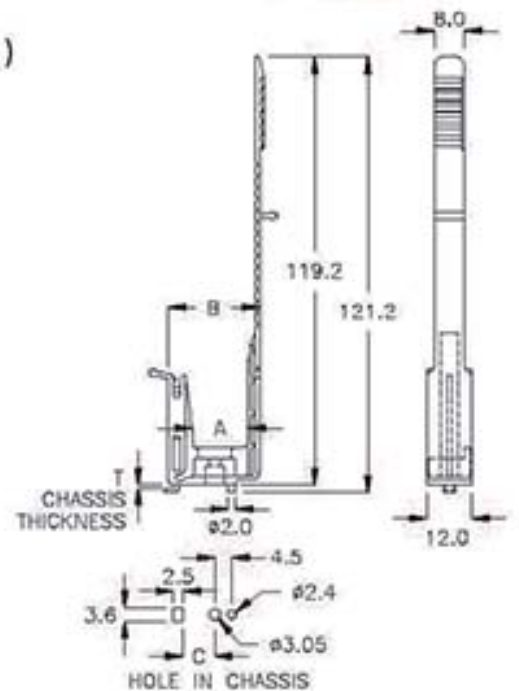
電線固定座 WIRE MOUNT



MATERIAL: NYLON 66(UL)
FLAME CLASS: 94V-2
COLOR: BLACK

WITH LOCK FEATURE

PART NO	A	B	C	T CHASSIS THICKNESS	PACKAGE
CYX-121	14.7	24.2	8.4	0.6	200
CYX-121KP	19.7	29.2	13.4	0.6	



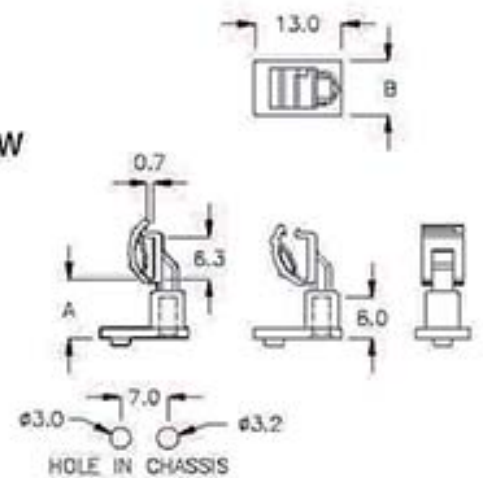
電線固定座 WIRE MOUNT



MATERIAL: NYLON 66(UL)
FLAME CLASS: 94V-2
COLOR: NATURAL
SCREW: M3 TAPPING SCREW

WITH LOCK FEATURE

PART NO	A	B	PACKAGE
CAF-8A	8.7	8.0	500

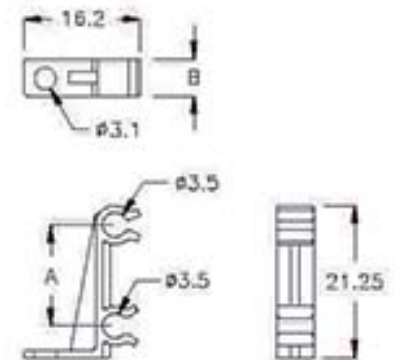


電線固定座 WIRE MOUNT



MATERIAL: NYLON 66(UL)
FLAME CLASS: 94V-2
COLOR: NATURAL

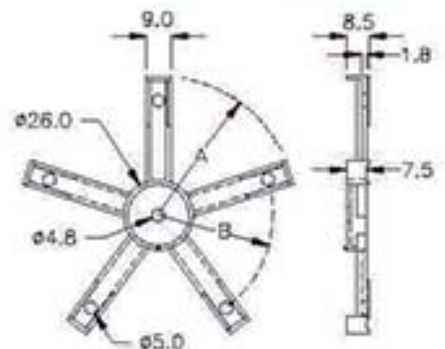
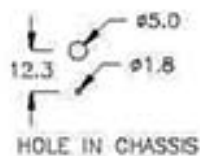
PART NO	A	B	PACKAGE
CMP-21A	14.0	5.2	500



光纖固定架 FIBER CABLE HOUSING



MATERIAL: NYLON 66(UL)
FLAME CLASS: 94V-2
COLOR: NATURAL



PART NO	A	B	PACKAGE
LQ-5TA	R51.6	R42.8	100

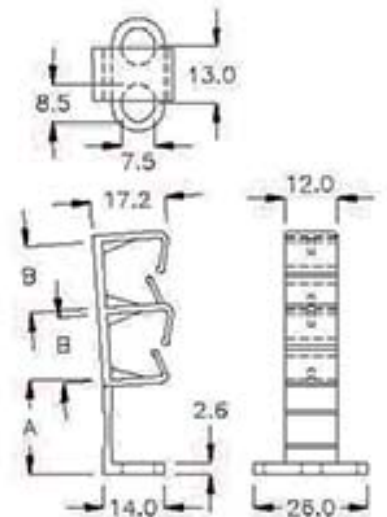
ASSEMBLE WITH P.G PARTS™ TA-系列™ (Page 6-109-1)

隔離束線座 WIRE SADDLE



MATERIAL: NYLON 66(UL)
FLAME CLASS: 94V-2
COLOR: NATURAL

PART NO	A	B	PACKAGE
2CH-15	21.7	15.0	100



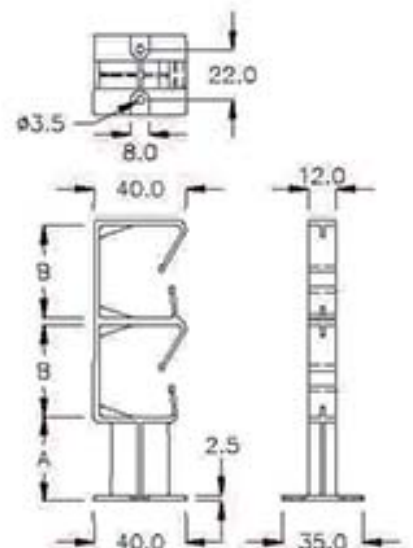
隔離束線座 WIRE SADDLE



MATERIAL: NYLON 66(UL)
FLAME CLASS: 94V-2
COLOR: BLACK

NEW

PART NO	A	B	PACKAGE
★ 2CH-40MP	38.7	40.3	50

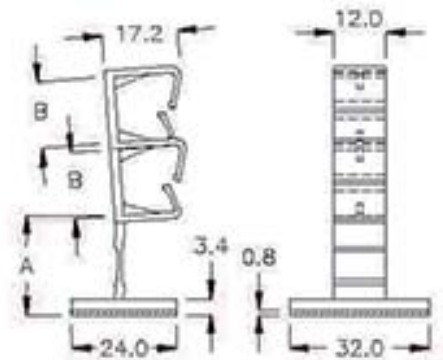


隔離束線座 WIRE SADDLE



MATERIAL: NYLON 66(UL)
 FLAME CLASS: 94V-2
 COLOR: NATURAL
 ADHESIVE TAPE: 3M

PART NO	A	B	PACKAGE
2CH-15A	22.6	15.0	100

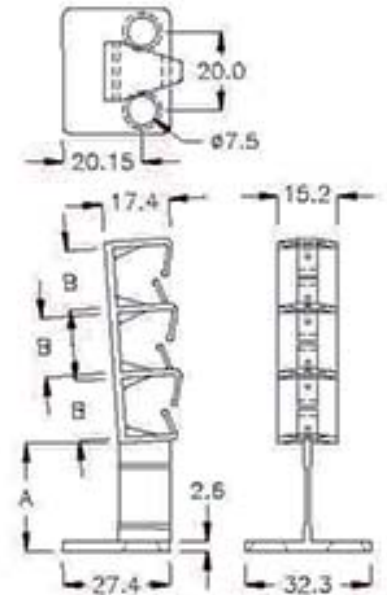


隔離束線座 WIRE SADDLE



MATERIAL: NYLON 66(UL)
 FLAME CLASS: 94V-2
 COLOR: NATURAL

PART NO	A	B	PACKAGE
3CH-15	27.6	15.1	100

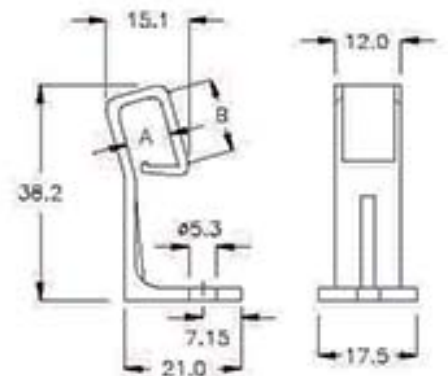


消磁線圈固定座 DEGAUSS COIL CLIP



MATERIAL: NYLON 66(UL)
 FLAME CLASS: 94V-2
 COLOR: NATURAL

PART NO	A	B	PACKAGE
CH-38	7.8	13.0	200



線材固定, 線材隔離 CABLE CLAMP, SADDLE

PINGOOD

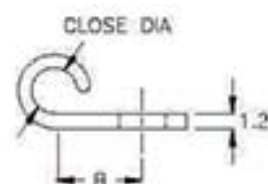
電線固定扣 CABLE CLAMP



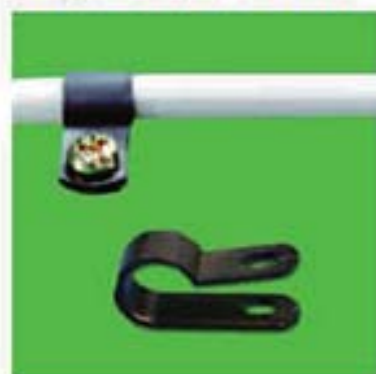
MATERIAL: NYLON 66(UL)
FLAME CLASS: 94V-2
COLOR: NATURAL

PART NO	A	B	D	CLOSE DIA	PACKAGE
PC-01D	6.6	6.7	ø3.5	ø2.7	2000
PC-1A	6.5	6.7	ø3.4	ø3.4	
PC-2A	8.5	11.4	ø4.4	ø5.0	1000
PC-02D	8.6	13.8	ø4.4	ø5.7	
PC-20	7.5	9.3	ø4.1	ø4.0	

6-149-1



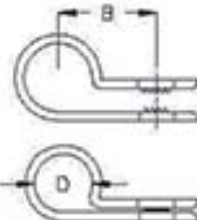
電線固定扣 CABLE CLAMP



MATERIAL: NYLON 66(UL)
FLAME CLASS: 94V-2
COLOR: NATURAL, BLACK
OPTIONAL FLAME CLASS: 94V-0

PART NO	A	B	C	D CLOSE DIA	PACKAGE
PC-09	9.5	12.2	ø4.4	ø7.5	500
PC-5HM	9.5	11.1	ø4.3	ø5.6	

6-149-2



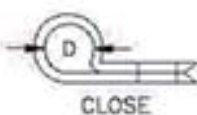
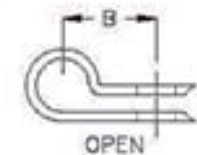
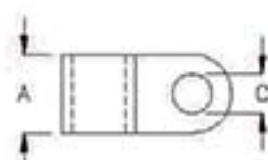
電線固定扣 CABLE CLAMP



MATERIAL: NYLON 66(UL)
FLAME CLASS: 94V-2
COLOR: NATURAL, BLACK

PART NO	A	B	C	D CLOSE DIA	PACKAGE
PC-1	13.5	9.0	ø5.4	ø3.8	1000
PC-1C	9.5	8.3	ø4.4	ø3.0	2000
PC-1K	6.3	9.0	ø3.1	ø3.5	
PC-1Q	6.5	9.5	ø3.1	ø3.0	
PC-1S	6.5	6.7	ø3.5	ø3.1	
PC-2	10.2	11.5	ø4.0	ø5.0	1000
PC-2H	9.7	11.7	ø4.1	ø4.5	
PC-2K	12.7	10.7	ø5.2	ø5.7	
PC-2L	9.6	12.1	ø5.0	ø7.3	
PC-2M	9.8	12.1	ø5.1	ø6.1	
PC-2S	9.8	12.0	ø5.1	ø6.9	
PC-3	10.0	11.9	ø4.3	ø5.6	500
PC-3K	9.0	11.35	ø3.5	ø5.7	
PC-3M	8.3	9.8	ø4.0	ø5.0	
PC-4	9.7	12.1	ø4.1	ø8.3	
PC-5	12.4	13.4	ø5.0	ø8.8	
PC-05C	9.5	12.0	ø3.2	ø8.3	
PC-5F	9.5	16.0	ø4.1	ø8.7	
PC-5GW	9.6	12.1	ø4.4	ø5.6	
PC-6	13.5	16.5	ø5.25	ø11.4	
★ PC-24MT	12.0	21.8	ø5.4	ø25.0	

6-149-3



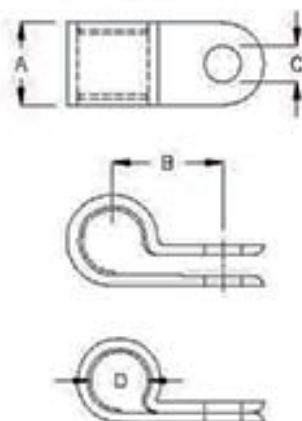
6-150-1

電線固定扣 CABLE CLAMP



MATERIAL: NYLON 66(UL)
 FLAME CLASS: 94V-2
 COLOR: NATURAL
 OPTIONAL FLAME CLASS: 94V-0

PART NO	A	B	C	D CLOSE DIA	PACKAGE
PC-3L	10.0	10.0	φ4.4	φ5.5	500
PC-03C	9.8	11.3	φ4.2	φ6.9	
PC-02C	9.8	12.0	φ4.2	φ7.7	
PC-6M	10.0	15.1	φ4.0	φ11.0	



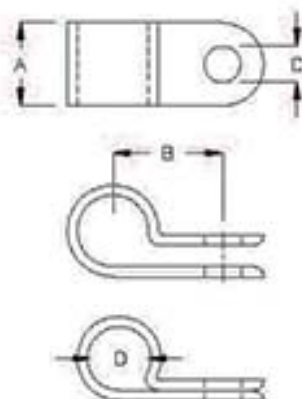
6-150-2

電線固定扣 CABLE CLAMP



MATERIAL: NYLON 66(UL)
 FLAME CLASS: 94V-2
 COLOR: NATURAL, BLACK
 OPTIONAL FLAME CLASS: 94V-0

PART NO	A	B	C	D CLOSE DIA	PACKAGE
PC-3KF	9.0	11.35	φ3.5	φ5.7	500



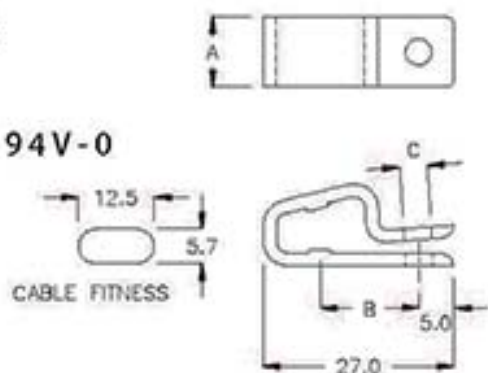
6-150-3

電線固定扣 CABLE CLAMP



MATERIAL: NYLON 66(UL)
 FLAME CLASS: 94V-2
 COLOR: NATURAL
 OPTIONAL FLAME CLASS: 94V-0

PART NO	A	B	C	PACKAGE
PL-1	10.0	13.4	φ4.0	500



電線固定扣 CABLE CLAMP

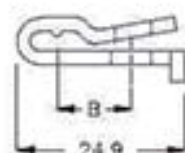
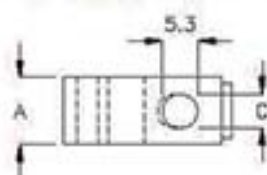


MATERIAL: NYLON 66(UL)
 FLAME CLASS: 94V-2
 COLOR: NATURAL
 OPTIONAL FLAME CLASS: 94V-0

PART NO	A	B	C	PACKAGE
PL-01A	10.1	11.0	ø5.0	500



6-151-1



電線固定扣 CABLE CLAMP

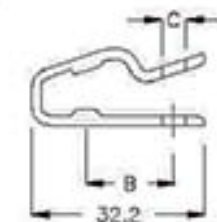
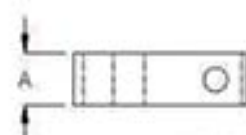


MATERIAL: NYLON 66(UL)
 FLAME CLASS: 94V-0
 COLOR: NATURAL

PART NO	A	B	C	PACKAGE
PL-3	10.0	18.15	ø4.5	500



6-151-2



電線固定扣 CABLE CLAMP

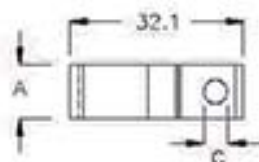


MATERIAL: NYLON 66(UL)
 FLAME CLASS: 94V-0
 COLOR: NATURAL

PART NO	A	B	C	PACKAGE
PL-04	10.0	17.0	ø4.5	500



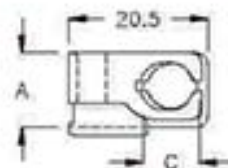
6-151-3



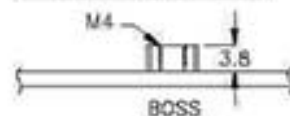
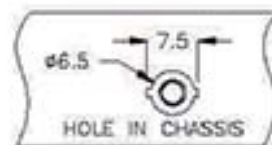
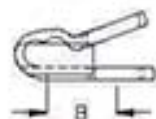
電線固定扣 CABLE CLAMP



MATERIAL: NYLON 66(UL)
FLAME CLASS: 94V-2
COLOR: BLACK



CABLE FITNESS

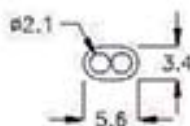
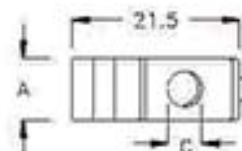


PART NO	A	B	C	PACKAGE
PLA-3F	11.0	9.8	8.0	500

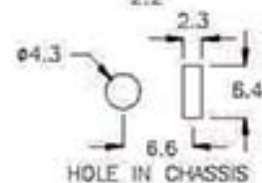
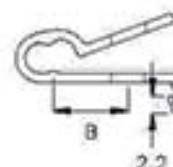
電線固定扣 CABLE CLAMP



MATERIAL: NYLON 66(UL)
FLAME CLASS: 94V-2
COLOR: BLACK



CABLE FITNESS

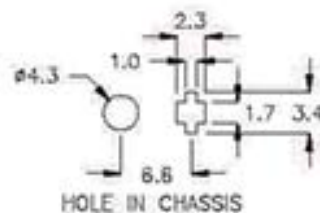
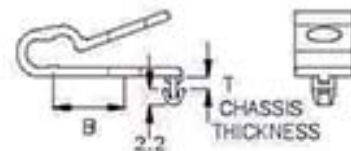
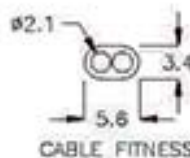
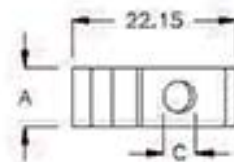


PART NO	A	B	C	T CHASSIS THICKNESS	PACKAGE
PLB-3Q	8.0	9.6	4.3	1.6	500

電線固定扣 CABLE CLAMP



MATERIAL: NYLON 66(UL)
FLAME CLASS: 94V-2
COLOR: BLACK

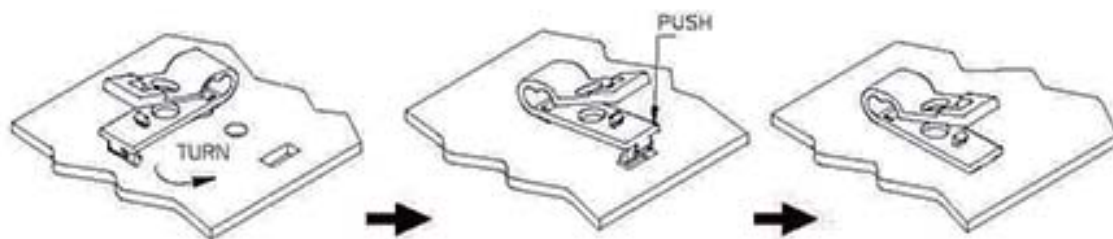
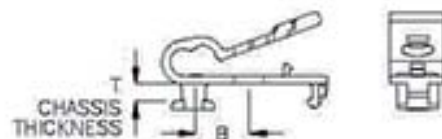
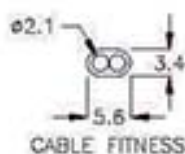
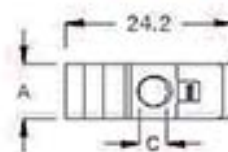


PART NO	A	B	C	T CHASSIS THICKNESS	PACKAG
PLB-3RM	8.0	9.8	$\phi 4.3$	1.1~1.4	500

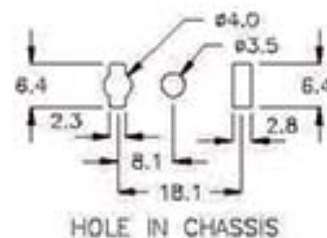
電線固定扣 CABLE CLAMP



MATERIAL: NYLON 66(UL)
FLAME CLASS: 94V-2
COLOR: BLACK



PART NO	A	B	C	T CHASSIS THICKNESS	PACKAGE
PLC-3KF	8.0	7.8	$\phi 4.3$	2.0	500



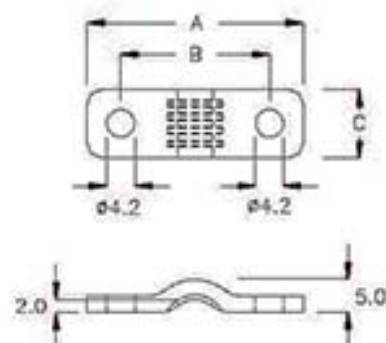
6-154-1

電線固定座 WIRE MOUNT



MATERIAL: NYLON 66(UL)
FLAME CLASS: 94V-2
COLOR: NATURAL

PART NO	A	B	C	PACKAGE
PCT-01	32.0	22.0	10.0	500

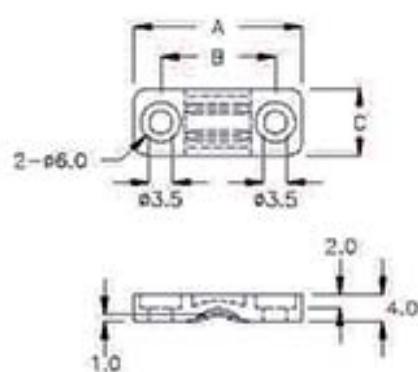


電線固定座 WIRE MOUNT



MATERIAL: NYLON 66(UL)
FLAME CLASS: 94V-2
COLOR: BLACK

PART NO	A	B	C	PACKAGE
PCT-06	25.0	17.0	10.0	500



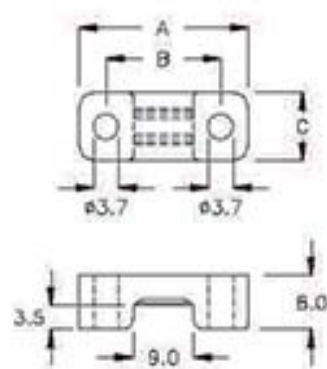
6-154-3

電線固定座 WIRE MOUNT

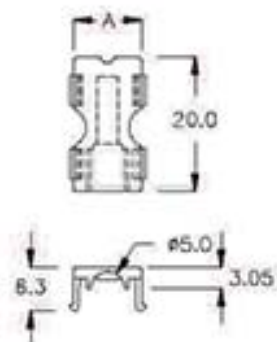
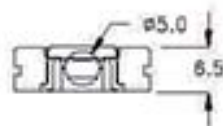


MATERIAL: NYLON 66(UL)
FLAME CLASS: 94V-2
COLOR: BLACK

PART NO	A	B	C	PACKAGE
PCT-03	25.0	17.0	10.0	500



電線固定座 WIRE MOUNT

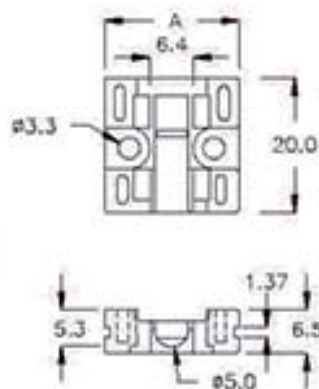


PART NO.	A	PACKAGE
PCU-1A	10.0	500

ASSEMBLE WITH P.G PART PCW-01 (Page 6-155-2)

MATERIAL: NYLON 66(UL)
FLAME CLASS: 94V-2
COLOR: BLACK

電線固定座 WIRE MOUNT

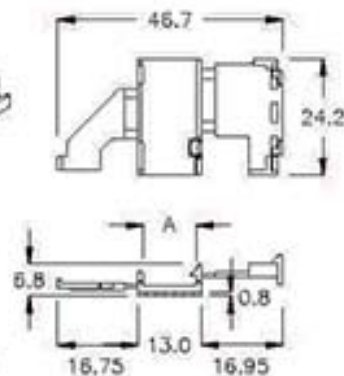
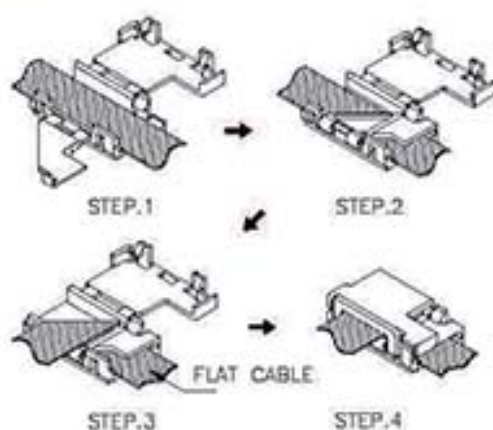


PART NO.	A	PACKAGE
PCW-01	20.0	500

ASSEMBLE WITH P.G PART PCU-1A (Page 6-155-1)

MATERIAL: NYLON 66(UL)
FLAME CLASS: 94V-2
COLOR: BLACK

排線固定座 FLAT CABLE MOUNT



PART NO.	A	PACKAGE
DFB-11	11.0	100

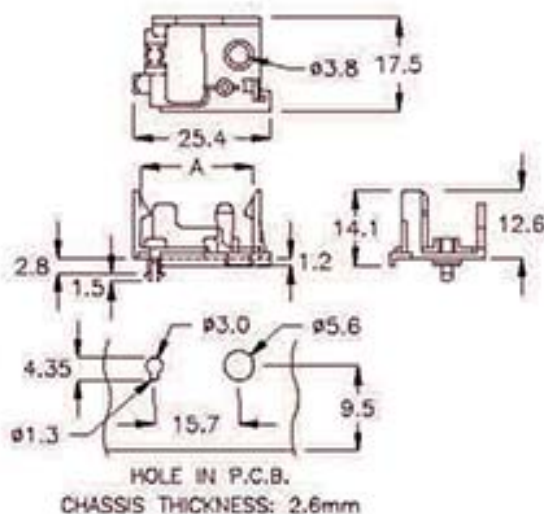
MATERIAL: NYLON 66(UL)
FLAME CLASS: 94V-2
COLOR: BLACK
ADHESIVE TAPE: 3M

排線固定座 FLAT CABLE MOUNT



MATERIAL: NYLON 66(UL)
FLAME CLASS: 94V-0
COLOR: BLUE

PART NO	A	PACKAGE
DFQ-21CA	21.0	500

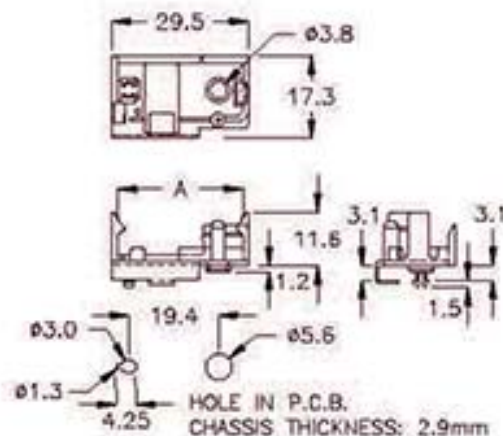


排線固定座 FLAT CABLE MOUNT



MATERIAL: NYLON 66(UL)
FLAME CLASS: 94V-0
COLOR: BLUE

PART NO	A	PACKAGE
DFQ-27MJ	26.9	500





EMI扣 ▲
SLEEVE FERRITE CLAMP

EMI扣 SLEEVE FERRITE CLAMP

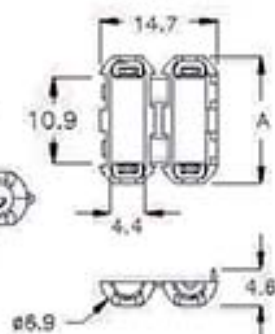
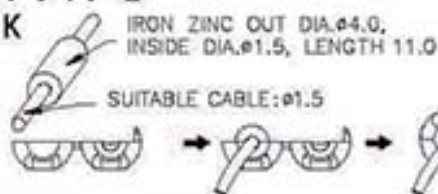
PINGOOD

7-2-1

EMI扣 SLEEVE FERRITE CLAMP

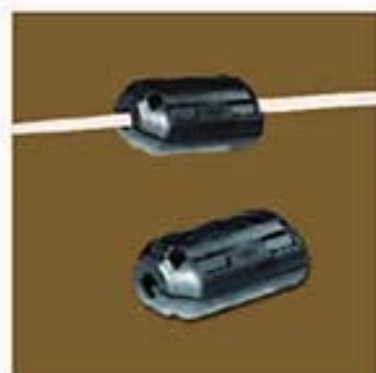


MATERIAL: NYLON 66(UL)
FLAME CLASS: 94V-2
COLOR: BLACK

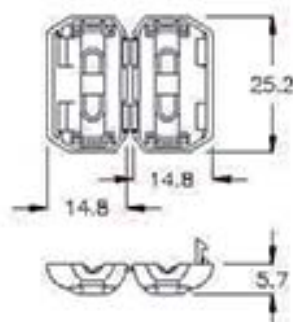


PART NO	A	SUITABLE CABLE	PACKAGE
EMR-1C	16.0	φ1.15	500

7-2-2

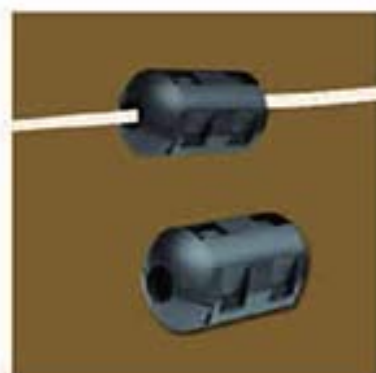


EMI扣 SLEEVE FERRITE CLAMP
MATERIAL: NYLON 66(UL)
FLAME CLASS: 94V-2
COLOR: BLACK

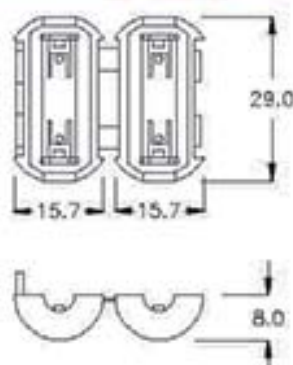


PART NO	SUITABLE CABLE	PACKAGE
EMR-3A	φ3.5	500

7-2-3



EMI扣 SLEEVE FERRITE CLAMP
MATERIAL: NYLON 66(UL)
FLAME CLASS: 94V-2
COLOR: BLACK

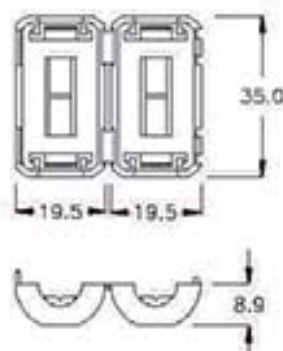


PART NO	SUITABLE CABLE	PACKAGE
EMR-05	φ5.0	200

7-2-4



EMI扣 SLEEVE FERRITE CLAMP
MATERIAL: NYLON 66(UL)
FLAME CLASS: 94V-2
COLOR: BLACK



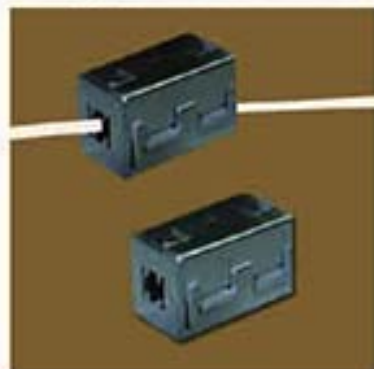
PART NO	SUITABLE CABLE	PACKAGE
EMR-7A	φ7.5	200

EMI扣 SLEEVE FERRITE CLAMP

PINGOOD

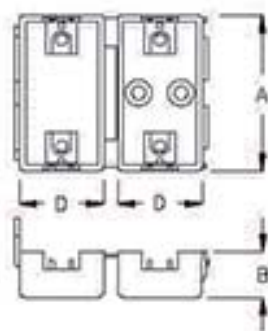
7-3-1

EMI扣 SLEEVE FERRITE CLAMP

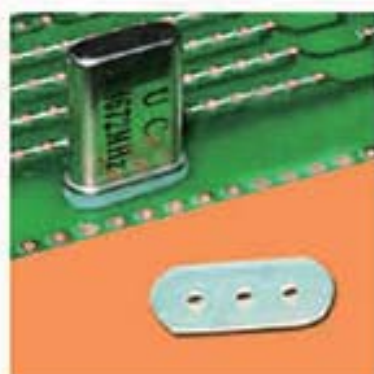


MATERIAL: NYLON 66(UL)
FLAME CLASS: 94V-2
COLOR: BLACK

PART NO	A	B	D	SUITABLE CABLE	PACKAGE
EMQ-06	32.8	9.7	18.0	φ6.0	200
EMQ-13	32.7	15.0	30.0	φ13.0	100
EMQ-9A	32.8	11.6	22.7	φ8.5	



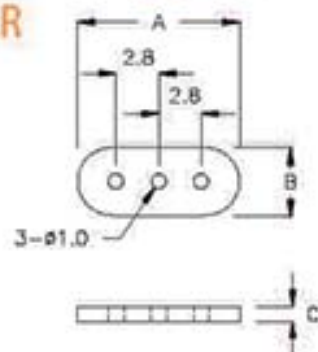
8-2-1



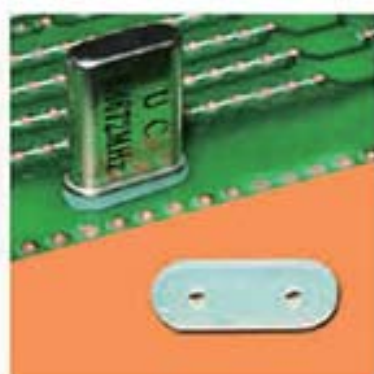
振盪晶體墊片 OSCILLATOR WASHER

MATERIAL: NYLON 66(UL)
FLAME CLASS: 94V-2
COLOR: NATURAL

PART NO.	A	B	C	PACKAGE
TQ-05	10.8	4.5	1.0	2000



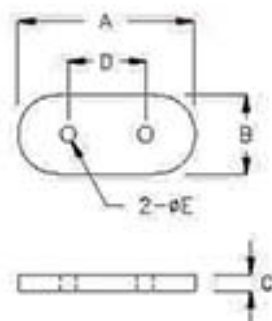
8-2-2



振盪晶體墊片 OSCILLATOR WASHER

MATERIAL: NYLON 66(UL)
FLAME CLASS: 94V-2
COLOR: NATURAL

PART NO.	A	B	C	D	E	PACKAGE
TQ-03	7.9	3.2	0.7	3.75	0.8	2000
TQ-03A	7.9	3.2	0.7	4.9	0.8	
TQ-06	11.2	5.0	1.0	4.9	1.2	
TQ-06A	11.2	5.0	1.5	4.9	1.2	
TQ-06H	11.2	6.5	1.5	4.75	2.2	



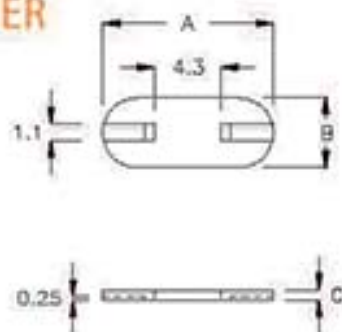
8-2-3



振盪晶體墊片 OSCILLATOR WASHER

MATERIAL: NYLON 66(UL)
FLAME CLASS: 94V-2
COLOR: NATURAL

PART NO.	A	B	C	PACKAGE
TQ-06F	11.0	4.5	0.7	2000



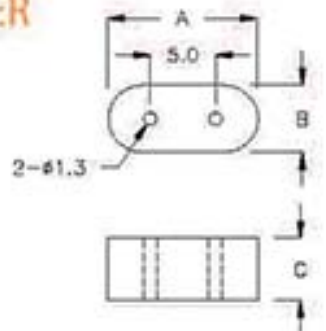
8-2-4



振盪晶體墊片 OSCILLATOR WASHER

MATERIAL: CERAMICS
COLOR: NATURAL

PART NO.	A	B	C	PACKAGE
TQC-05	10.0	5.0	5.1	2000



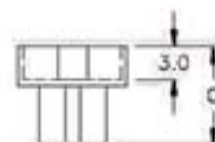
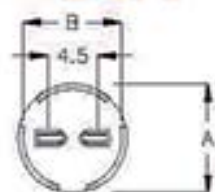
8-3-1



電容器座 E-CAP HOUSING

MATERIAL: NYLON 66(UL)
FLAME CLASS: 94V-2
COLOR: NATURAL

PART NO	A	B	C	PACKAGE
CWX-10BK	ø11.0	ø10.0	10.0	1000



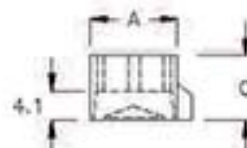
8-3-2



電容器座 E-CAP HOUSING

MATERIAL: PP
COLOR: NATURAL

PART NO	A	B	C	PACKAGE
CW-2	ø12.5	ø10.2	9.2	1000



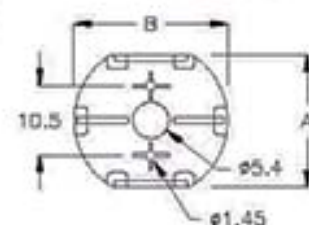
8-3-3



電容器墊片 CAPACITOR WASHER

MATERIAL: NYLON 66(UL)
FLAME CLASS: 94V-2
COLOR: NATURAL

PART NO	A	B	C	PACKAGE
CW-10	20.0	ø23.0	2.6	1000



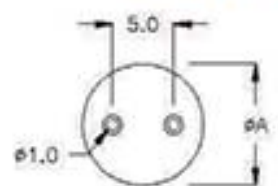
8-3-4



電容器墊片 CAPACITOR WASHER

MATERIAL: NYLON 66(UL)
FLAME CLASS: 94V-2
COLOR: NATURAL

PART NO	A	C	PACKAGE
CW-10Q	ø10.0	1.0	1000



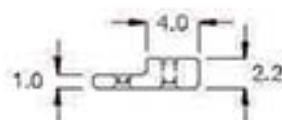
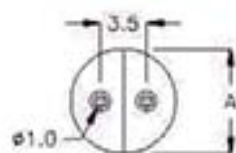
8-4-1



電容器墊片 CAPACITOR WASHER

MATERIAL: NYLON 66+GF30%(UL)
FLAME CLASS: 94V-0
COLOR: BLACK

PART NO	A	PACKAGE
CW-2KM	ø8.0	1000



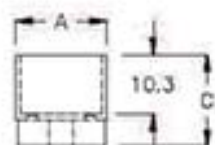
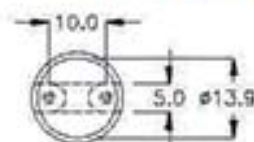
8-4-2



電容器座 E-CAP HOUSING

MATERIAL: NYLON 66(UL)
FLAME CLASS: 94V-2
COLOR: NATURAL

PART NO	A	C	PACKAGE
CW-003	ø16.0	16.0	1000



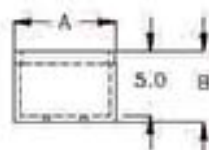
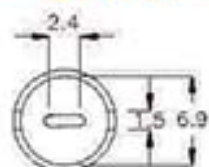
8-4-3



電容器座 E-CAP HOUSING

MATERIAL: NYLON 66(UL)
FLAME CLASS: 94V-0
COLOR: BLACK

PART NO	A	B	PACKAGE
CWZ-70	ø7.9	5.5	2000



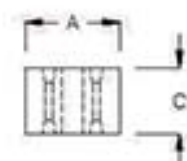
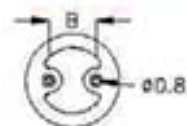
8-4-4



電容器座 E-CAP HOUSING

MATERIAL: NYLON 66(UL)
FLAME CLASS: 94V-2
COLOR: BLACK

PART NO	A	B	C	PACKAGE
CWM-07	ø10.0	5.0	7.0	1000



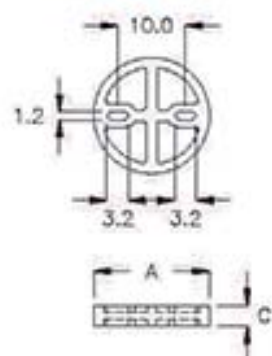
8-5-1



華司 WASHER

MATERIAL: NYLON 66(UL)
FLAME CLASS: 94V-2
COLOR: NATURAL

PART NO	A	C	PACKAGE
WWD-3K	ø17.2	3.0	2000



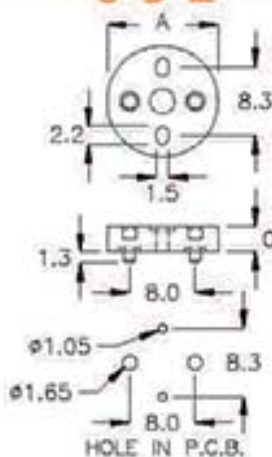
8-5-2



電容器墊片 E-CAP WASHER

MATERIAL: NYLON 66(UL)
FLAME CLASS: 94V-2
COLOR: NATURAL

PART NO	A	C	PACKAGE
CWQ-13M	ø13.5	3.1	1000



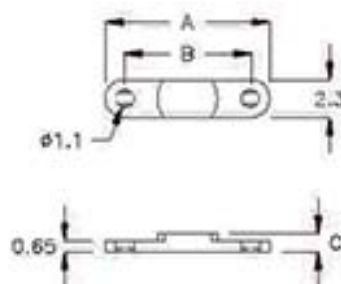
8-5-3



電容器墊片 E-CAP WASHER

MATERIAL: NYLON 66(UL)
FLAME CLASS: 94V-2
COLOR: NATURAL

PART NO	A	B	C	PACKAGE
CWF-7H	9.9	7.5	1.1	2000



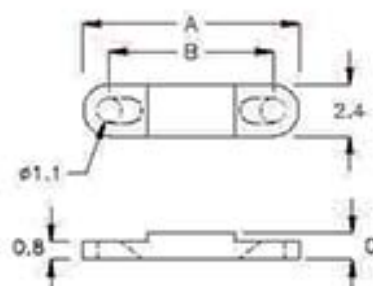
8-5-4



電容器墊片 E-CAP WASHER

MATERIAL: NYLON 66(UL)
FLAME CLASS: 94V-2
COLOR: NATURAL

PART NO	A	B	C	PACKAGE
CWF-7K	10.0	7.8	1.2	2000



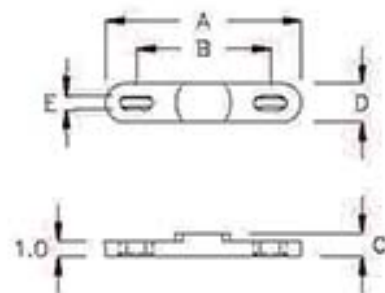
8-6-1



電容器墊片 E-CAP WASHER

MATERIAL: NYLON 66(UL)
FLAME CLASS: 94V-2
COLOR: NATURAL

PART NO	A	B	C	D	E	PACKAGE
CWF-8H	12.8	8.75	1.5	2.5	0.9	2000
CWF-14A	14.2	10.0	1.5	3.0	1.5	



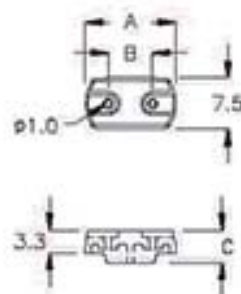
8-6-2



蜂鳴器固定座 BUZZER MOUNT

MATERIAL: NYLON 66+30%FRP(UL)
FLAME CLASS: 94V-0
COLOR: BLACK

PART NO	A	B	C	PACKAGE
MTZ-4A	13.4	8.6	4.8	1000



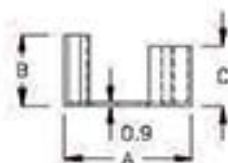
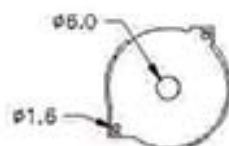
8-6-3



固定座 MOUNT

MATERIAL: NYLON 66(UL)
FLAME CLASS: 94V-2
COLOR: BLACK

PART NO	A	B	C	PACKAGE
QDC-01	33.6	18.9	15.9	100



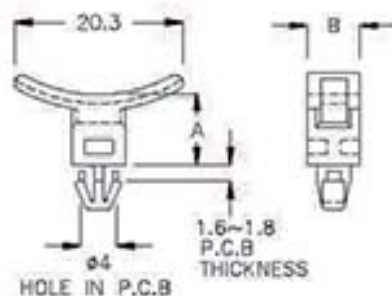
8-6-4



電容器座 E-CAP HOUSING

MATERIAL: NYLON 66(UL)
FLAME CLASS: 94V-2
COLOR: NATURAL

PART NO	A	B	PACKAGE
MMH-08	8.0	6.0	1000

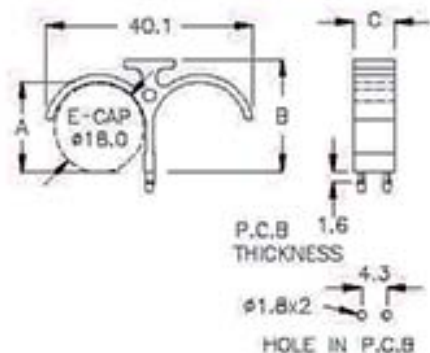


8-7-1



電容器座 E-CAP HOUSING

MATERIAL: NYLON 46(UL)
FLAME CLASS: 94V-0
COLOR: NATURAL



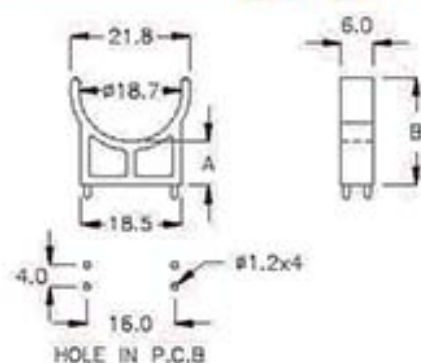
PART NO	A	B	C	PACKAGE
CWB-01	17.8	22.0	8.0	200

8-7-2



電容器座 E-CAP HOUSING

MATERIAL: NYLON 66(UL)
FLAME CLASS: 94V-0
COLOR: NATURAL



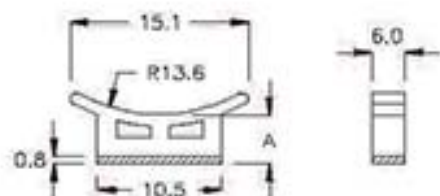
PART NO	A	B	PACKAGE
CWC-08	8.0	19.7	1000

8-7-3



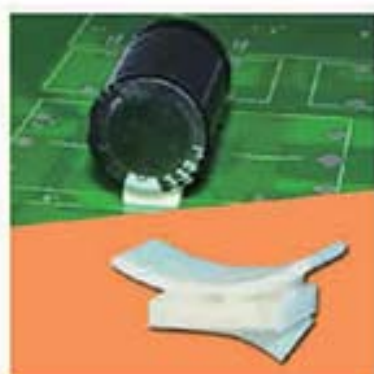
電容器座 E-CAP HOUSING

MATERIAL: NYLON 66(UL)
FLAME CLASS: 94V-0
COLOR: NATURAL
ADHESIVE TAPE: 3M



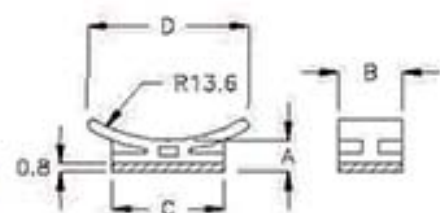
PART NO	A	PACKAGE
CWG-4A	4.3	1000

8-7-4



電容器座 E-CAP HOUSING

MATERIAL: NYLON 66(UL)
FLAME CLASS: 94V-0
COLOR: NATURAL
ADHESIVE TAPE: 3M



PART NO	A	B	C	D	PACKAGE
CWG-03	3.0	6.0	10.5	15.1	1000
CWG-3MF	3.0	5.0	10.0	15.1	
CWG-3TG	3.0	6.0	10.5	12.0	

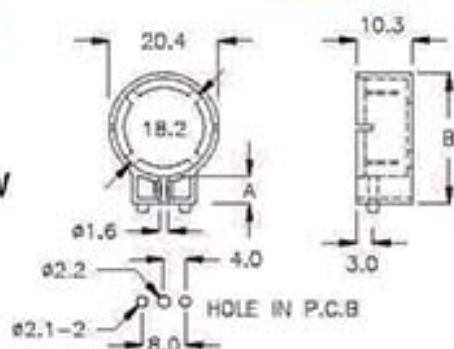
8-8-1



電容器座 E-CAP HOUSING

MATERIAL: NYLON 66(UL)
 FLAME CLASS: 94V-2
 COLOR: NATURAL
 WITH M2x5 TAPPING SCREW

PART NO	A	B	PACKAGE
CWS-01	5.0	24.4	500



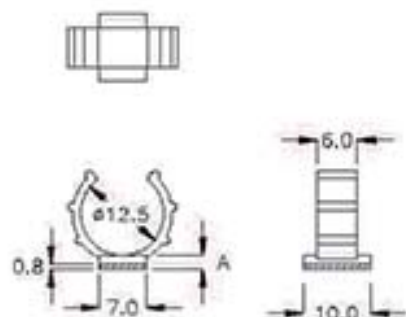
8-8-2



電容器座 E-CAP HOUSING

MATERIAL: NYLON 66(UL)
 FLAME CLASS: 94V-2
 COLOR: NATURAL
 ADHESIVE TAPE: 3M

PART NO	A	PACKAGE
CWH-02	2.0	1000



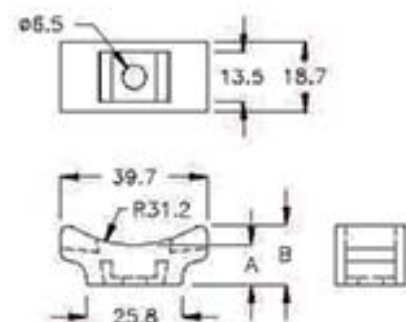
8-8-3



電容器座 E-CAP HOUSING

MATERIAL: NYLON 66(UL)
 FLAME CLASS: 94V-2
 COLOR: BLACK

PART NO	A	B	PACKAGE
MLA-40	10.8	16.0	100



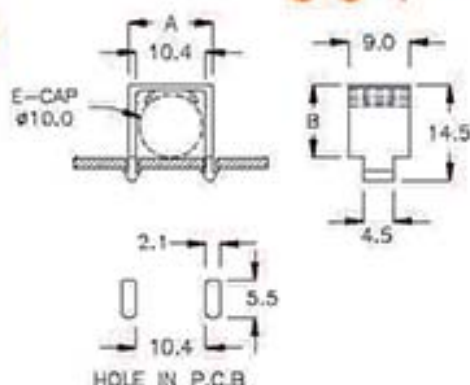
8-8-4



電容器座 E-CAP HOUSING

MATERIAL: NYLON 66(UL)
 FLAME CLASS: 94V-0
 COLOR: NATURAL

PART NO	A	B	PACKAGE
CWD-01	12.6	10.8	1000

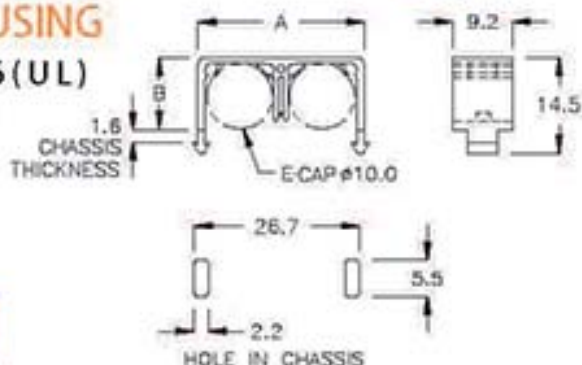


8-9-1



電容器座 E-CAP HOUSING

MATERIAL: NYLON 66(UL)
FLAME CLASS: 94V-0
COLOR: NATURAL



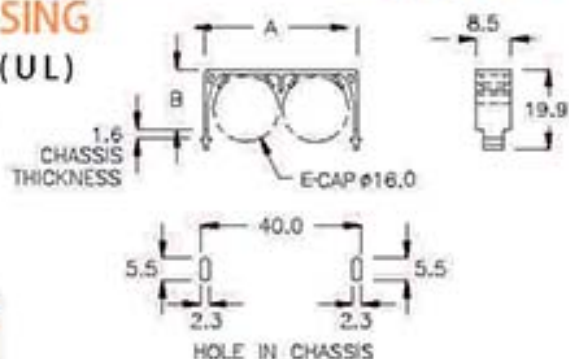
PART NO.	A	B	PACKAGE
CWD-02	25.2	10.9	500

8-9-2



電容器座 E-CAP HOUSING

MATERIAL: NYLON 66(UL)
FLAME CLASS: 94V-2
COLOR: NATURAL



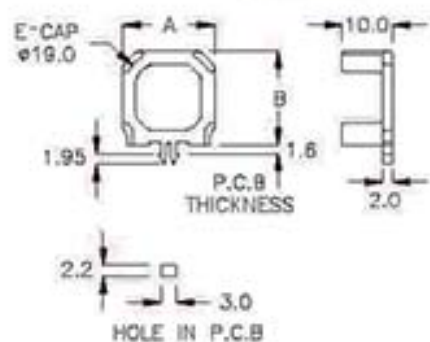
PART NO.	A	B	PACKAGE
CWD-16	38.0	15.3	200

8-9-3



電容器座 E-CAP HOUSING

MATERIAL: NYLON 66(UL)
FLAME CLASS: 94V-2
COLOR: NATURAL



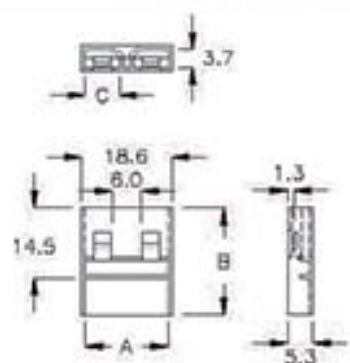
PART NO.	A	B	PACKAGE
CWL-19	18.0	18.4	500

8-9-4



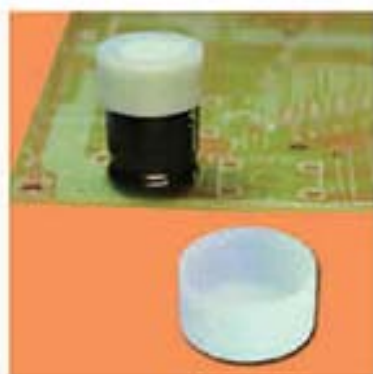
電容器座 E-CAP HOUSING

MATERIAL: NYLON 66(UL)
FLAME CLASS: 94V-0
COLOR: NATURAL



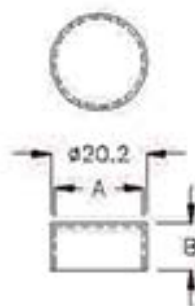
PART NO.	A	B	C	PACKAGE
CWJ-01	17.0	22.0	7.0	500

8-10-1



電容器帽套 E-CAP TUBE
 MATERIAL: NYLON 66(UL)
 FLAME CLASS: 94V-2
 COLOR: NATURAL

PART NO	A	B	PACKAGE
CWT-18A	φ18.6	10.0	100

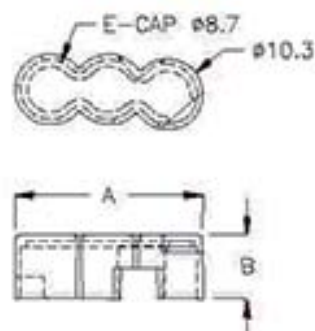


8-10-2



電容器帽套 E-CAP TUBE
 MATERIAL: NYLON 66(UL)
 FLAME CLASS: 94V-0
 COLOR: NATURAL

PART NO	A	B	PACKAGE
DXM-27H	27.45	9.3	500

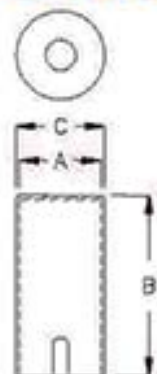


8-10-3



電容器帽套 E-CAP TUBE
 MATERIAL: PP(UL)
 FLAME CLASS: 94V-0
 COLOR: BLACK

PART NO	A	B	C	SUITABLE E-CAP	PACKAGE
DXA-31JK	φ10.5	27.5	φ11.5	φ9.5~φ10.2	500
DXA-50F	φ13.0	50.8	φ14.5	φ12.0~φ12.5	



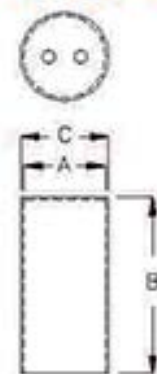
8-10-4



電容器帽套 E-CAP TUBE
 MATERIAL: PP(UL)
 FLAME CLASS: 94V-0
 COLOR: BLACK

NEW

PART NO	A	B	C	SUITABLE E-CAP	PACKAGE
★ DXK-30C	φ13.0	30.5	φ14.0	φ12.0~φ12.5	500

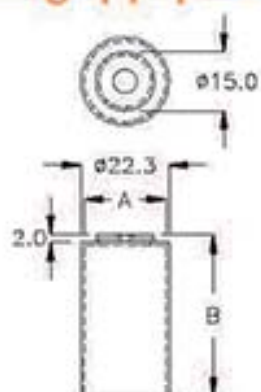


8-11-1



電容器帽套 E-CAP TUBE
 MATERIAL: NYLON 66(UL)
 FLAME CLASS: 94V-2
 COLOR: BLACK

PART NO	A	B	PACKAGE
CWY-50	ø20.5	40.9	100

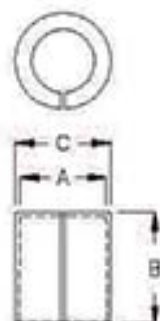


8-11-2



電容器帽套 E-CAP TUBE
 COLOR: BLACK

PART NO	MATERIAL	A	B	C	SUITABLE E-CAP	PACKAGE
DXA-16RC	PP V0	ø12.5	16.0	ø13.6	ø11.0~ø12.0	500
★DXA-20KS	N66 V2	ø24.0	20.0	ø25.0	ø23.5~ø24.5	

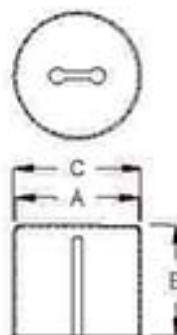


8-11-3



電容器帽套 E-CAP TUBE
 MATERIAL: PP
 FLAME CLASS: 94V-0
 COLOR: BLACK

PART NO	A	B	C	SUITABLE E-CAP	PACKAGE
DXP-28CA	ø31.0	28.0	ø32.0	ø29.5~ø30.5	500

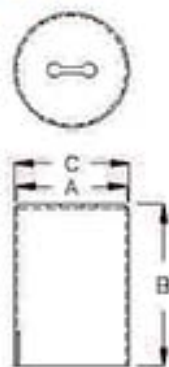


8-11-4



電容器帽套 E-CAP TUBE
 MATERIAL: PP
 FLAME CLASS: 94V-0
 COLOR: BLACK

PART NO	A	B	C	SUITABLE E-CAP	PACKAGE
DXP-46FM	ø31.5	46.5	ø32.9	ø30.0~ø31.0	500

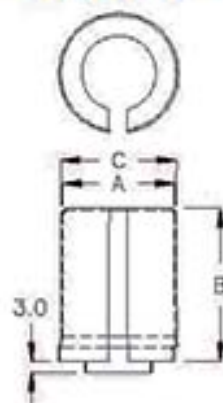


8-12-1



電容器帽套 E-CAP TUBE
 MATERIAL: NYLON 66(UL)
 FLAME CLASS: 94V-0
 COLOR: BLACK

PART NO	A	B	C	SUITABLE E-CAP	PACKAGE
DXA-41	φ30.0	41.0	φ31.0	φ29.2~φ31.2	486

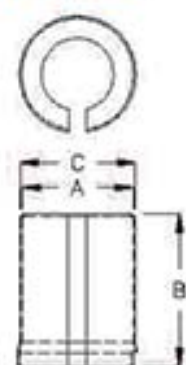


8-12-2



電容器帽套 E-CAP TUBE
 MATERIAL: NYLON 66(UL)
 FLAME CLASS: 94V-0
 COLOR: BLACK

PART NO	A	B	C	SUITABLE E-CAP	PACKAGE
DXA-51C	φ30.0	51.0	φ31.0	φ29.7~φ31.7	405

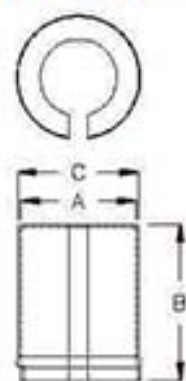


8-12-3



電容器帽套 E-CAP TUBE
 MATERIAL: PP
 FLAME CLASS: 94V-0
 COLOR: BLACK

PART NO	A	B	C	SUITABLE E-CAP	PACKAGE
DXA-51FL	φ30.0	51.0	φ31.6	φ29.7~φ31.7	405

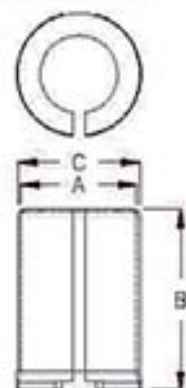


8-12-4



電容器帽套 E-CAP TUBE
 MATERIAL: PP
 FLAME CLASS: 94V-0
 COLOR: BLACK

PART NO	A	B	C	SUITABLE E-CAP	PACKAGE
DXA-55KT	φ30.0	55.5	φ31.6	φ29.7~φ31.7	405



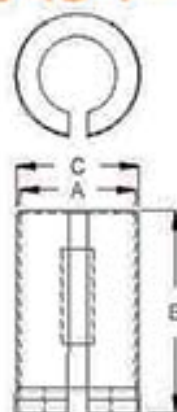
8-13-1



電容器帽套 E-CAP TUBE

MATERIAL: PP
FLAME CLASS: 94V-0
COLOR: BLACK

PART NO	A	B	C	SUITABLE E-CAP	PACKAGE
DXA-65BH	φ30.0	65.0	φ31.6	φ29.5~φ31.0	324



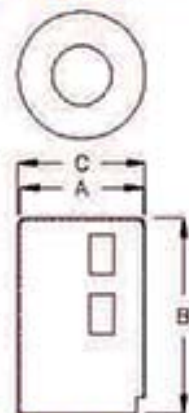
8-13-2



電容器帽套 E-CAP TUBE

MATERIAL: PP
FLAME CLASS: 94V-0
COLOR: BLACK

PART NO	A	B	C	SUITABLE E-CAP	PACKAGE
DXS-49K	φ31.0	49.0	φ32.0	φ29.5~φ30.5	500



8-13-3

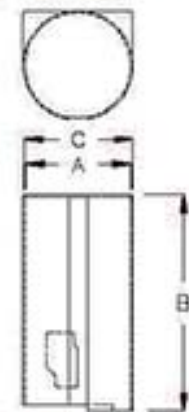


電容器帽套 E-CAP TUBE

MATERIAL: PP
FLAME CLASS: 94V-0
COLOR: NATURAL

NEW

PART NO	A	B	C	SUITABLE E-CAP	PACKAGE
★ DXF-76	φ31.0	75.8	φ32.0	φ29.5~φ30.5	243



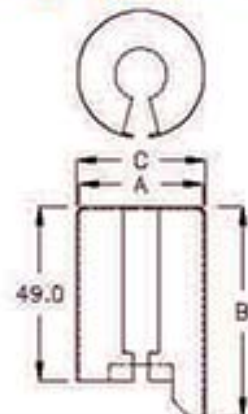
8-13-4



電容器帽套 E-CAP TUBE

MATERIAL: PP
FLAME CLASS: 94V-0
COLOR: BLACK

PART NO	A	B	C	SUITABLE E-CAP	PACKAGE
DXC-58AS	φ31.0	58.0	φ32.0	φ29.0~φ31.0	324



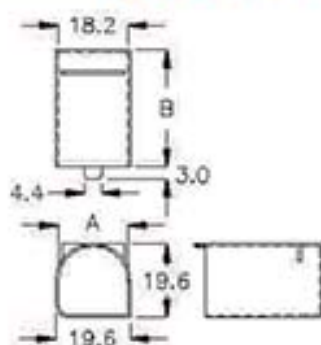
8-14-1



電容器帽套 E-CAP TUBE

MATERIAL: NYLON 66(UL)
FLAME CLASS: 94V-0
COLOR: BLACK

PART NO.	A	B	SUITABLE E-CAP	PACKAGE
DXH-31M	18.4	31.0	φ17.2~φ18.0	200



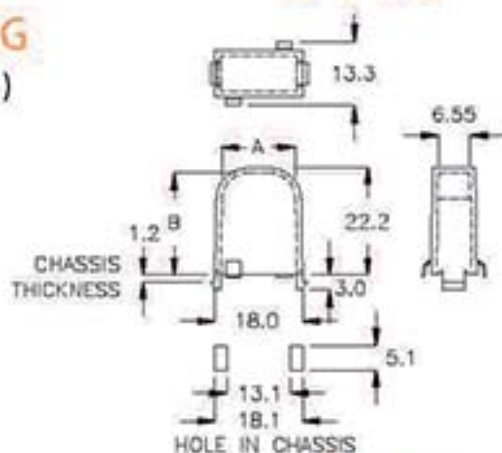
8-14-2



電容器座 E-CAP HOUSING

MATERIAL: NYLON 66(UL)
FLAME CLASS: 94V-2
COLOR: BLACK

PART NO.	A	B	PACKAGE
CWQ-01	15.25	21.1	500



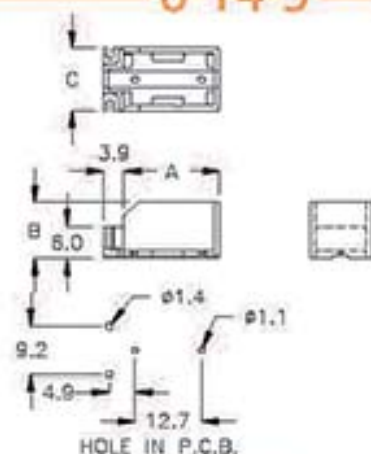
8-14-3



電感固定座 C.T. MOUNT

MATERIAL: NYLON 66(UL)
FLAME CLASS: 94V-0
COLOR: BLACK

PART NO.	A	B	C	PACKAGE
CWP-01	18.4	10.65	12.0	500



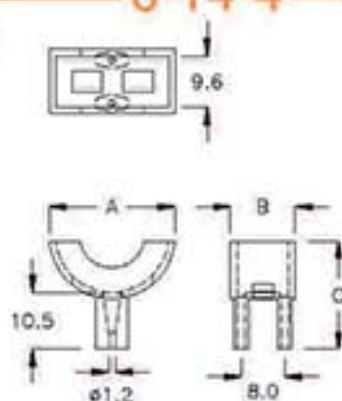
8-14-4



電感固定座 INDUCTOR HOUSING

MATERIAL: PBT(UL)
FLAME CLASS: 94V-0
COLOR: NATURAL

PART NO.	A	B	C	PACKAGE
CW-1A	23.3	12.0	20.0	1000

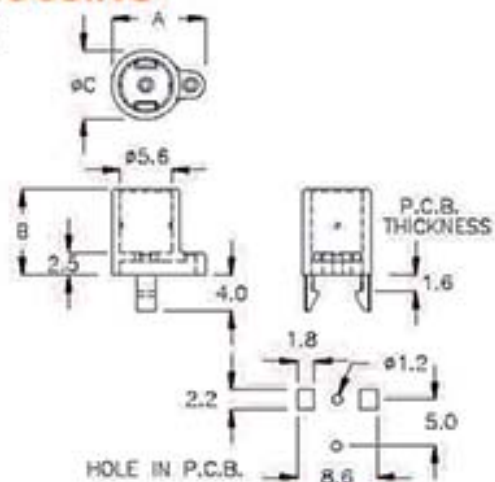




電感固定座 INDUCTOR HOUSING

MATERIAL: NYLON 66(UL)
FLAME CLASS: 94V-0
COLOR: NATURAL

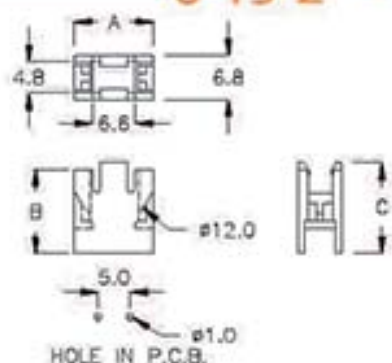
PART NO	A	B	C	PACKAGE
CW-005	10.4	9.5	7.6	2000



熱敏電阻座 PTC MOUNT

MATERIAL: NYLON 66(UL)
FLAME CLASS: 94V-0
COLOR: NATURAL

PART NO	A	B	C	PACKAGE
PTC-2K	12.3	10.0	11.0	1000
PTC-05	12.3	13.0	14.1	



熱敏電阻座 NTC HOLDER

MATERIAL: NYLON 66(UL)
FLAME CLASS: 94V-0
COLOR: BLACK

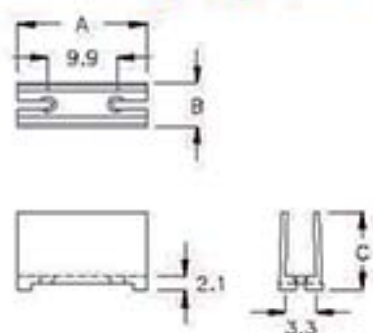
PART NO	A	B	PACKAGE
HUG-6A	2.5	6.5	2000



熱敏電阻座 NTC HOLDER

MATERIAL: NYLON 66(UL)
FLAME CLASS: 94V-0
COLOR: NATURAL

PART NO	A	B	C	PACKAGE
HU-1	16.2	5.3	9.9	1000



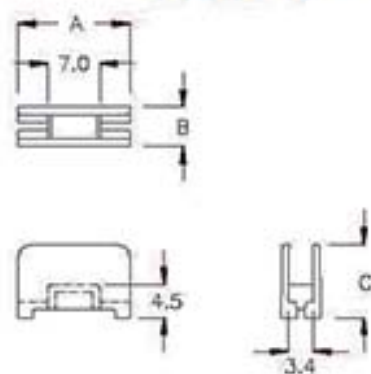
8-16-1



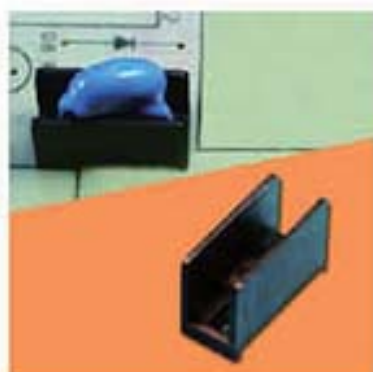
熱敏電阻座 NTC HOLDER

MATERIAL: NYLON 66(UL)
FLAME CLASS: 94V-0
COLOR: NATURAL

PART NO.	A	B	C	PACKAGE
HU-1PS	15.0	5.3	9.9	1000



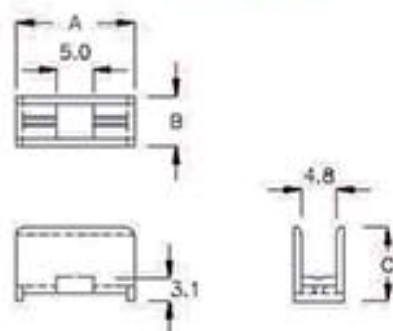
8-16-2



熱敏電阻座 NTC HOLDER

MATERIAL: PPS(UL)
FLAME CLASS: 94V-0
COLOR: BLACK

PART NO.	A	B	C	PACKAGE
HU-1C	16.0	6.8	9.9	1000



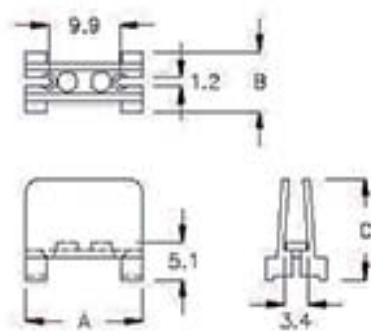
8-16-3



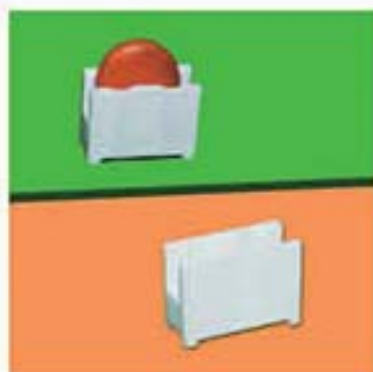
熱敏電阻座 NTC HOLDER

MATERIAL: NYLON 66(UL)
FLAME CLASS: 94V-0
COLOR: NATURAL

PART NO.	A	B	C	PACKAGE
HU-1A	16.2	8.3	13.9	500



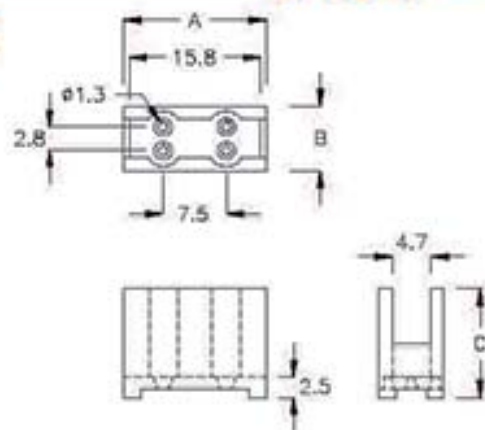
8-16-4



熱敏電阻座 NTC HOLDER

MATERIAL: PBT(UL)
FLAME CLASS: 94V-0
COLOR: NATURAL

PART NO.	A	B	C	PACKAGE
HU-3	17.2	7.7	13.1	500



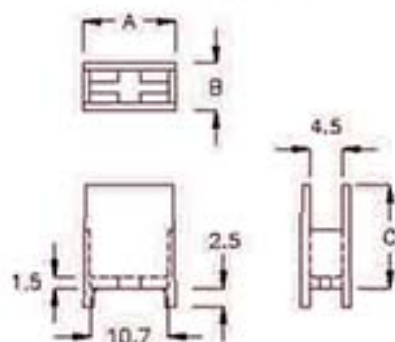
8-17-1



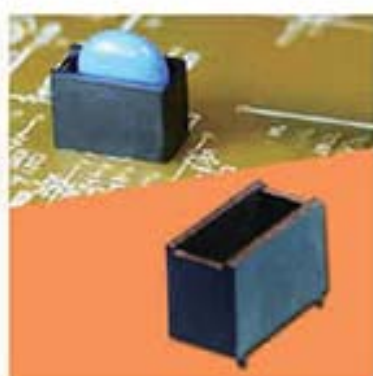
熱敏電阻座 NTC HOLDER

MATERIAL: PPS(UL)
FLAME CLASS: 94V-0
COLOR: BLACK

PART NO.	A	B	C	PACKAGE
HU-4	12.6	6.8	14.1	500



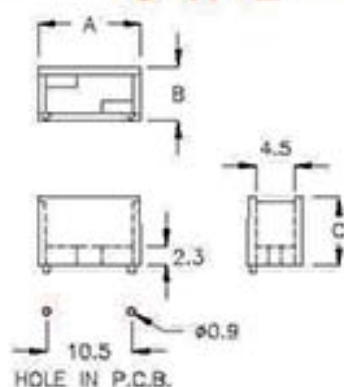
8-17-2



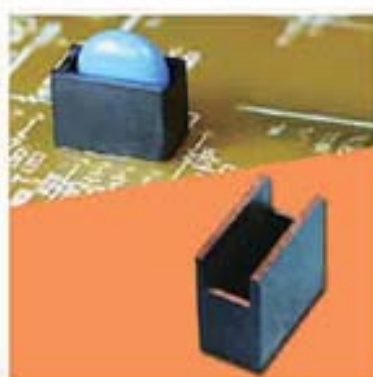
熱敏電阻座 NTC HOLDER

MATERIAL: PPS(UL)
FLAME CLASS: 94V-0
COLOR: BLACK

PART NO.	A	B	C	PACKAGE
HU-4A	12.7	6.8	8.5	500



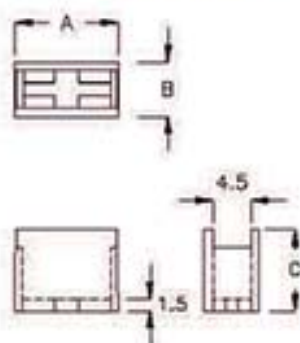
8-17-3



熱敏電阻座 NTC HOLDER

MATERIAL: PPS(UL)
FLAME CLASS: 94V-0
COLOR: BLACK

PART NO.	A	B	C	PACKAGE
HU-4C	12.7	6.8	12.0	500



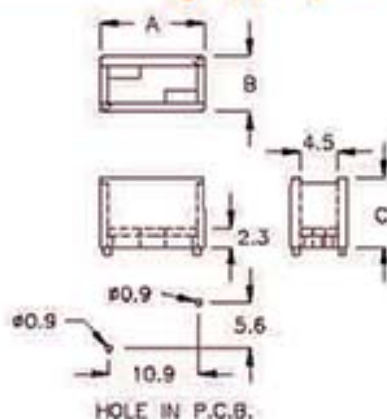
8-17-4



熱敏電阻座 NTC HOLDER

MATERIAL: PPS(UL)
FLAME CLASS: 94V-0
COLOR: BLACK

PART NO.	A	B	C	PACKAGE
HU-4TX	12.7	6.8	8.5	500



PINGOOD

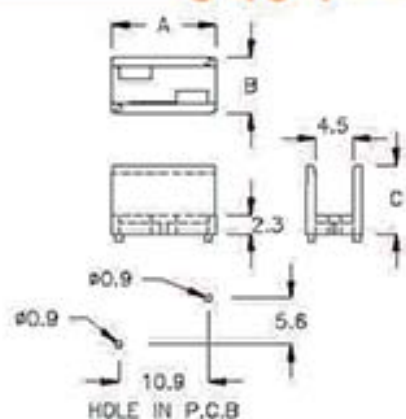
8-18-1



熱敏電阻座 NTC HOLDER

MATERIAL: PPS(UL)
FLAME CLASS: 94V-0
COLOR: BLACK

PART NO	A	B	C	PACKAGE
HUX-4K	12.7	6.8	8.4	500



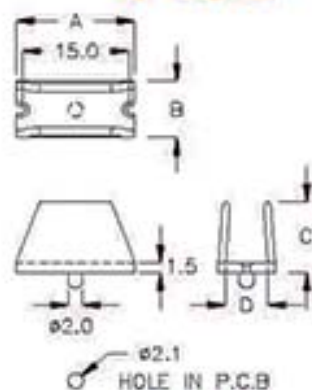
8-18-2



電容器座 CAPACITOR HOUSING

MATERIAL: NYLON 66(UL)
FLAME CLASS: 94V-0
COLOR: NATURAL

PART NO	A	B	C	D	PACKAGE
CWA-4A	16.7	7.9	10.0	6.5	200
CWA-4C	16.7	7.2	10.0	5.2	
CWA-4KH	16.7	7.9	10.0	5.9	



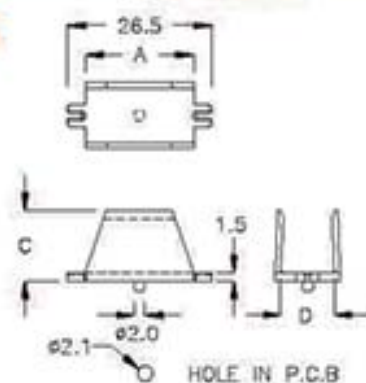
8-18-3



電容器座 CAPACITOR HOUSING

MATERIAL: NYLON 66(UL)
FLAME CLASS: 94V-0
COLOR: NATURAL

PART NO	A	C	D	PACKAGE
CWA-10	20.0	13.0	10.0	100



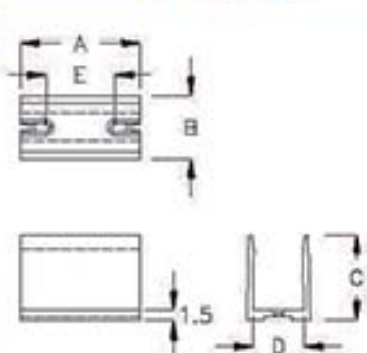
8-18-4



電容器座 CAPACITOR HOUSING

MATERIAL: NYLON 66(UL)
FLAME CLASS: 94V-0
COLOR: NATURAL

PART NO	A	B	C	D	E	PACKAGE
CWR-2C	17.5	9.2	12.5	7.6	10.0	200
CWR-26SK	26.3	11.7	10.0	10.2	21.7	

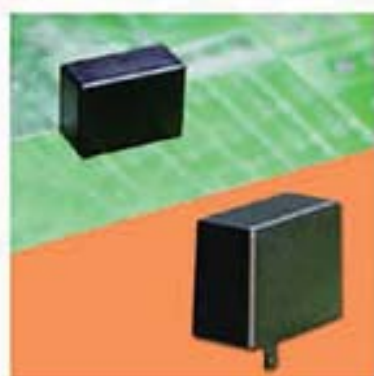
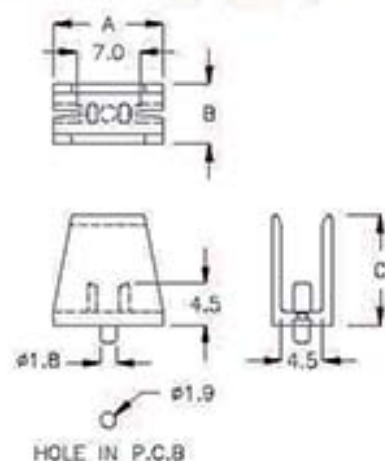




熱敏電阻座 NTC HOLDER

MATERIAL: NYLON 66(UL)
FLAME CLASS: 94V-0
COLOR: NATURAL

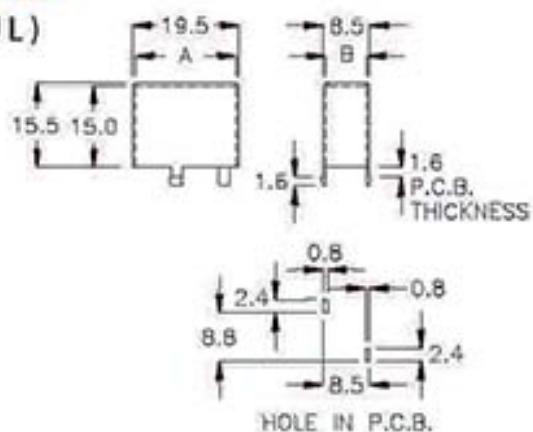
PART NO.	A	B	C	PACKAGE
CWA-4F	12.0	6.5	12.0	500



電容器座 E-CAP HOUSING

MATERIAL: NYLON 66(UL)
FLAME CLASS: 94V-0
COLOR: BLACK

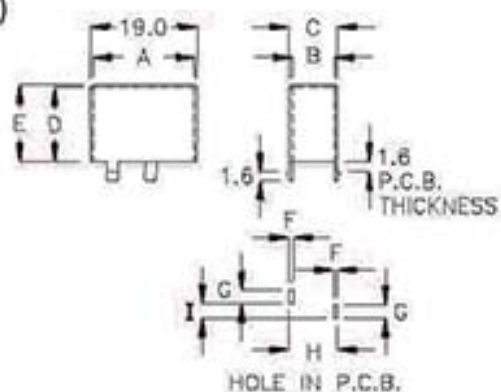
PART NO.	A	B	PACKAGE
CWW-19H	18.5	7.5	500



電容器座 E-CAP HOUSING

MATERIAL: NYLON 66(UL)
FLAME CLASS: 94V-0
COLOR: BLACK

PART NO.	A	B	C	D	E	F	G	H	I	PACKAGE
CWW-19PJ	18.0	7.7	8.7	13.3	13.8	0.8	2.4	8.7	2.2	500
CWW-19AN	18.0	16.0	17.0	16.0	16.5	1.15	1.9	17.0	9.0	

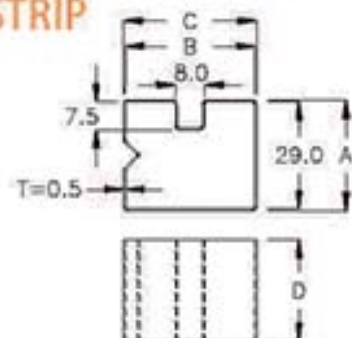


8-20-1



電容絕緣片 E-CAP INSULATING STRIP

MATERIAL: PP
FLAME CLASS: 94V-0
COLOR: BLACK



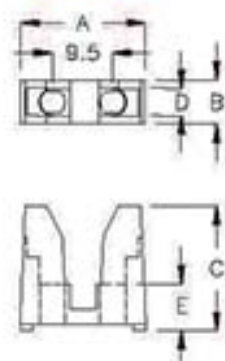
PART NO	A	B	C	T	PACKAGE
CWU-36	30.0	35.0	36.0	27.5	675

8-20-2



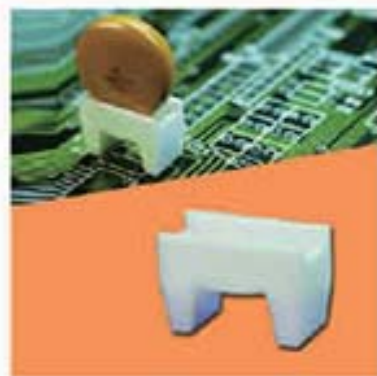
熱敏電阻座 NTC HOLDER

MATERIAL: PBT(UL)
FLAME CLASS: 94V-0
COLOR: NATURAL



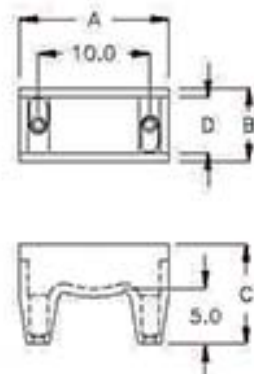
PART NO	A	B	C	D	E	PACKAGE
HU-5	20.0	7.4	20.0	4.6	7.5	500
HU-00B	19.9	9.4	15.9	6.5	7.9	

8-20-3



熱敏電阻座 NTC HOLDER

MATERIAL: NYLON 66(UL)
FLAME CLASS: 94V-0
COLOR: NATURAL



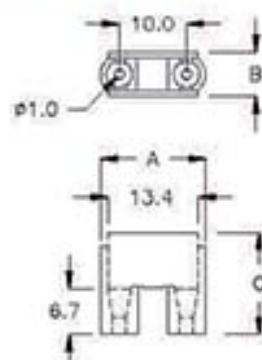
PART NO	A	B	C	D	PACKAGE
HU-05A	13.4	6.8	9.0	5.0	500

8-20-4



Y電容座 Y CAPACITOR HOLDER

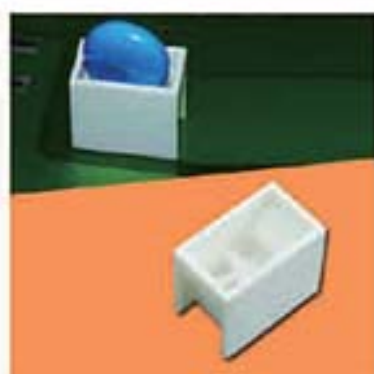
MATERIAL: NYLON 66(UL)
FLAME CLASS: 94V-0
COLOR: NATURAL



PART NO	A	B	C	PACKAGE
HU-05D	15.6	6.6	15.0	500

PINGOOD

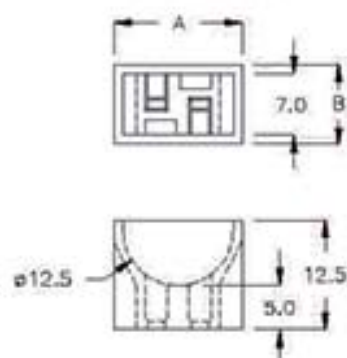
8-21-1



熱敏電阻座 NTC HOLDER

MATERIAL: PBT(UL)
FLAME CLASS: 94V-0
COLOR: NATURAL

PART. NO.	A	B	PACKAGE
HU-15	14.5	9.0	500



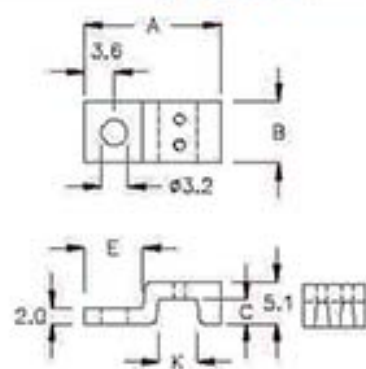
8-21-2



熱敏電阻座 NTC HOLDER

MATERIAL: PBT(UL)
FLAME CLASS: 94V-0
COLOR: NATURAL

PART. NO.	A	B	C	E	F	PACKAGE
HU-7	16.6	7.5	3.0	7.1	4.6	1000
HU-7FG	16.6	7.5	3.0	7.0	6.1	
HU-07H	16.6	7.5	2.6	7.1	6.1	
HU-07L	16.6	7.5	3.5	7.1	5.9	



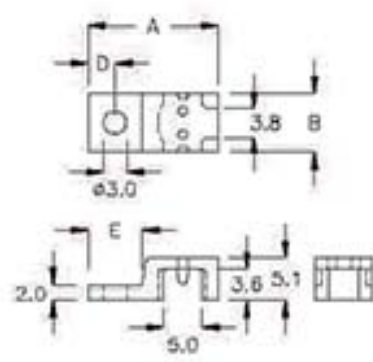
8-21-3



熱敏電阻座 NTC HOLDER

MATERIAL: PBT(UL)
FLAME CLASS: 94V-0
COLOR: NATURAL

PART. NO.	A	B	D	E	PACKAGE
HU-07A	18.7	7.5	3.5	7.0	1000
HU-07K	19.5	7.5	3.3	9.8	
HU-07P	19.5	7.5	3.5	10.0	



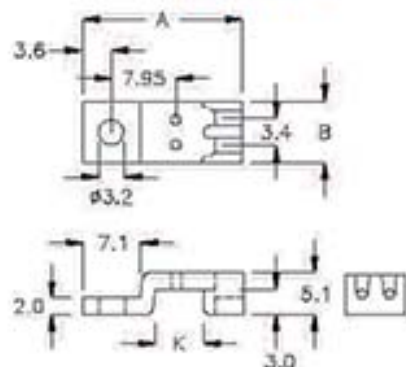
8-21-4



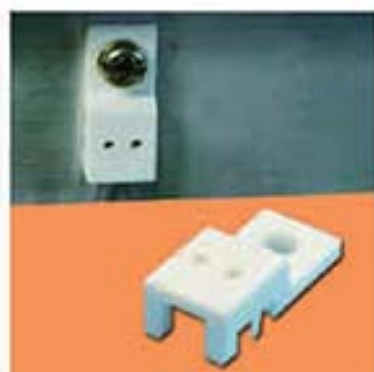
熱敏電阻座 NTC HOLDER

MATERIAL: PBT(UL)
FLAME CLASS: 94V-0
COLOR: NATURAL

PART. NO.	A	B	F	PACKAGE
HU-07C	19.8	7.5	5.9	1000
HU-07J	20.8	7.5	6.9	
HU-07Q	19.8	7.5	7.4	



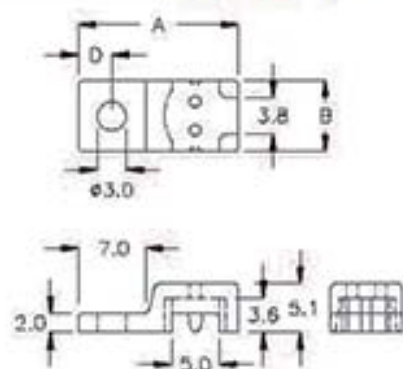
8-22-1



熱敏電阻座 NTC HOLDER

MATERIAL: PBT(UL)
FLAME CLASS: 94V-0
COLOR: NATURAL

PART NO	A	B	C	PACKAGE
HU-7AC	16.7	7.5	3.5	1000



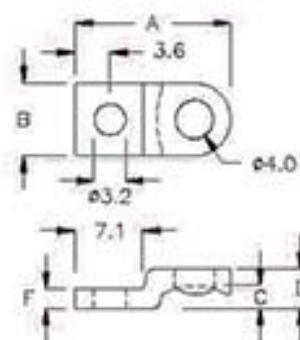
8-22-2



熱敏電阻座 NTC HOLDER

MATERIAL: PBT(UL)
FLAME CLASS: 94V-0
COLOR: NATURAL

PART NO	A	B	C	D	E	PACKAGE
HU-07F	16.0	7.5	2.2	4.1	2.0	1000
HU-7PK	16.0	7.5	2.2	4.15	2.15	



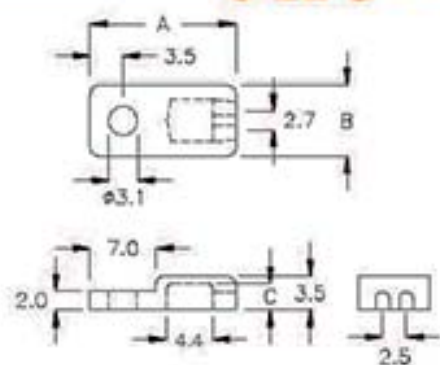
8-22-3



熱敏電阻座 NTC HOLDER

MATERIAL: PBT(UL)
FLAME CLASS: 94V-0
COLOR: NATURAL

PART NO	A	B	C	PACKAGE
HU-07M	15.5	7.5	2.8	1000



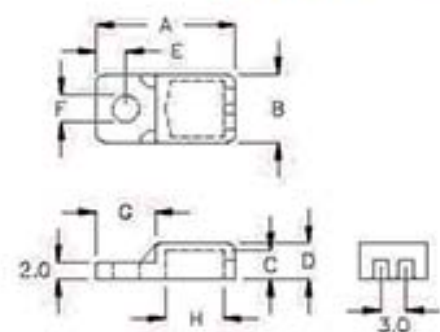
8-22-4



熱敏電阻座 NTC HOLDER

MATERIAL: PBT(UL)
FLAME CLASS: 94V-0
COLOR: NATURAL

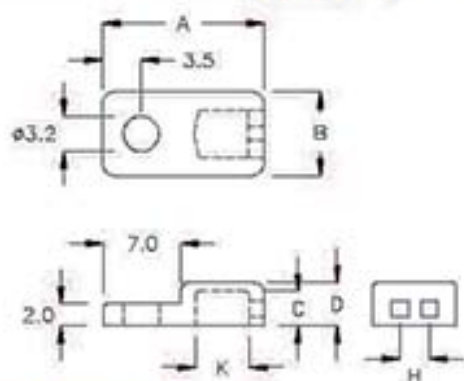
PART NO	A	B	C	D	E	F	G	H	PACKAGE
HU-7WF	16.55	8.0	3.5	4.3	3.6	3.2	7.0	6.9	1000
HU-8DM	16.7	7.5	3.0	4.0	3.5	3.0	8.0	5.7	





熱敏電阻座 NTC HOLDER

MATERIAL: PBT(UL)
FLAME CLASS: 94V-0
COLOR: NATURAL

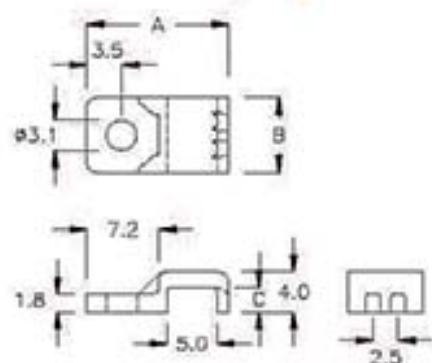


PART NO	A	B	C	D	K	H	PACKAGE
HU-07W	14.5	7.5	3.1	3.9	4.85	2.7	1000
HU-7AW	14.5	7.5	2.7	3.5	4.85	2.7	
HU-7WC	16.5	8.0	3.5	4.3	6.9	2.7	
HU-7WD	15.5	7.5	3.1	3.9	4.85	2.7	
HU-7QN	16.5	8.0	3.5	4.3	6.9	3.5	



熱敏電阻座 NTC HOLDER

MATERIAL: PBT(UL)
FLAME CLASS: 94V-0
COLOR: NATURAL

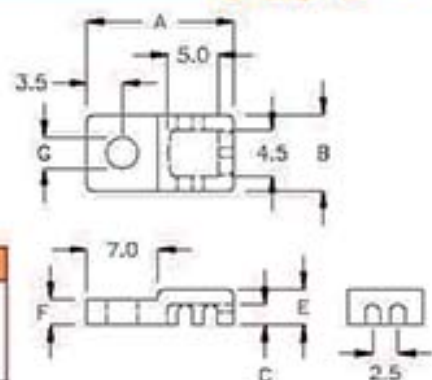


PART NO	A	B	C	PACKAGE
HU-7LA	14.2	7.5	2.5	1000



熱敏電阻座 NTC HOLDER

MATERIAL: PBT(UL)
FLAME CLASS: 94V-0
COLOR: NATURAL



PART NO	A	B	C	E	F	D	PACKAGE
HU-7MA	14.5	7.5	2.0	3.5	2.5	3.2	1000
HU-7MK	14.5	7.5	2.8	3.5	2.5	3.1	
HU-7RH	14.5	7.5	1.8	3.3	2.3	3.2	

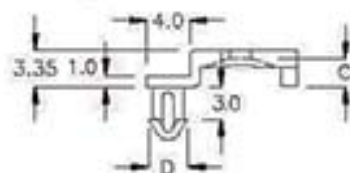
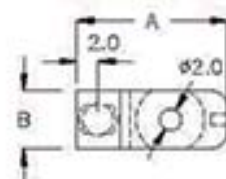
8-24-1



熱敏電阻座 NTC HOLDER

MATERIAL: NYLON 66(UL)
FLAME CLASS: 94V-0
COLOR: NATURAL

PART NO.	A	B	C	D	PACKAGE
HU-07U	14.0	5.4	2.55	φ3.6	1000



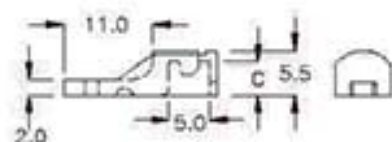
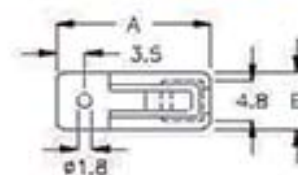
8-24-2



熱敏電阻座 NTC HOLDER

MATERIAL: NYLON 66(UL)
FLAME CLASS: 94V-0
COLOR: NATURAL

PART NO.	A	B	C	PACKAGE
HUH-19	19.0	7.0	4.2	500



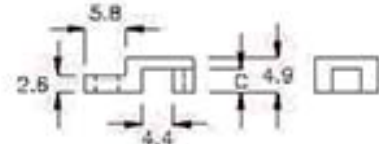
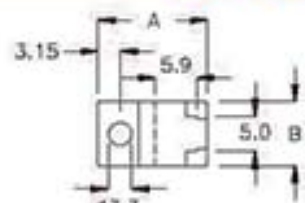
8-24-3



熱敏電阻座 NTC HOLDER

MATERIAL: PBT(UL)
FLAME CLASS: 94V-0
COLOR: NATURAL

PART NO.	A	B	C	PACKAGE
HU-09	15.5	9.0	3.4	1000



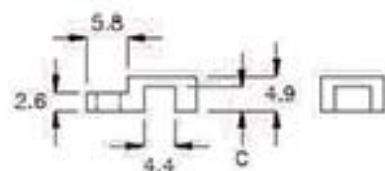
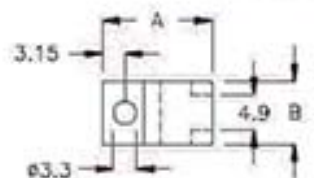
8-24-4



熱敏電阻座 NTC HOLDER

MATERIAL: PBT(UL)
FLAME CLASS: 94V-0
COLOR: NATURAL

PART NO.	A	B	C	PACKAGE
HU-09A	15.5	9.0	3.4	1000



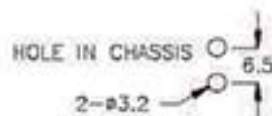
PINGOOD

8-25-1

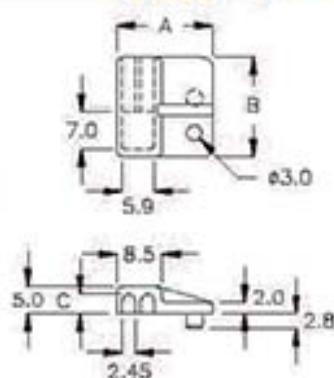


熱敏電阻座 NTC HOLDER

MATERIAL: NYLON 66(UL)
FLAME CLASS: 94V-0
COLOR: NATURAL



PART NO.	A	B	C	PACKAGE
HU-09D	18.0	18.6	3.6	1000



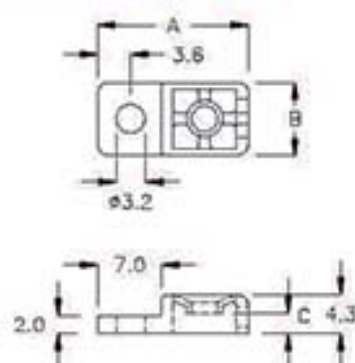
8-25-2



熱敏電阻座 NTC HOLDER

MATERIAL: PBT(UL)
FLAME CLASS: 94V-0
COLOR: NATURAL

PART NO.	A	B	C	PACKAGE
HUD-01	16.55	8.0	2.3	1000

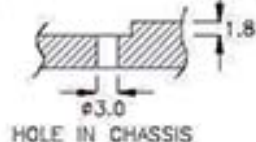


8-25-3

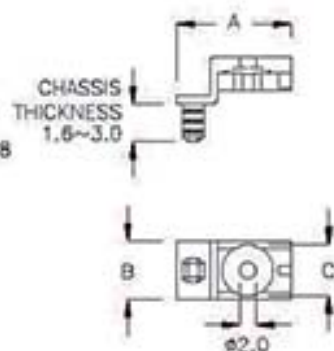


熱敏電阻座 NTC HOLDER

MATERIAL: NYLON 66(UL)
FLAME CLASS: 94V-0
COLOR: NATURAL



PART NO.	A	B	C	PACKAGE
HUA-04	14.0	7.2	8.2	1000



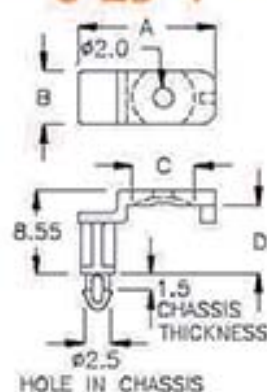
8-25-4



熱敏電阻座 NTC HOLDER

MATERIAL: NYLON 66(UL)
FLAME CLASS: 94V-0
COLOR: NATURAL

PART NO.	A	B	C	D	PACKAGE
HU-7FT	14.0	5.4	6.35	7.0	1000



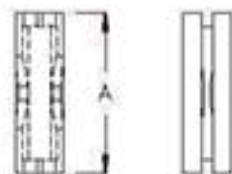
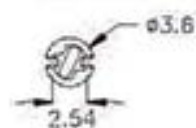
8-26-1



熱敏電阻座 NTC HOLDER
 MATERIAL: NYLON 66(UL)
 FLAME CLASS: 94V-2
 COLOR: NATURAL

NEW

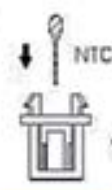
PART NO.	A	PACKAGE
HUL-12CP	12.0	1000



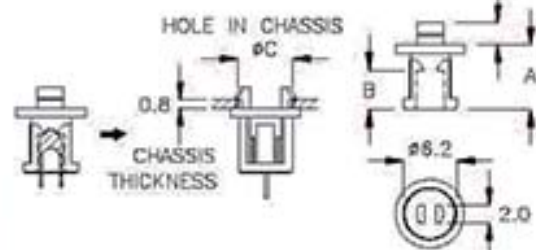
8-26-2



熱敏電阻座 NTC HOLDER
 MATERIAL: NYLON 66(UL)
 FLAME CLASS: 94V-0
 COLOR: BLACK



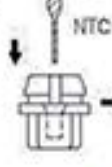
PART NO.	A	B	C	PACKAGE
HUC-01	7.5	4.5	6.4	2000



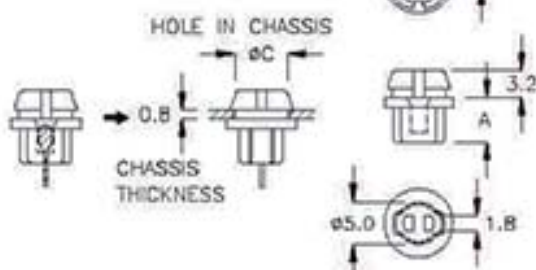
8-26-3



熱敏電阻座 NTC HOLDER
 MATERIAL: TPR(UL)
 FLAME CLASS: 94V-0
 COLOR: BLACK



PART NO.	A	B	C	PACKAGE
HUC-02	5.2	1.8	6.4	2000

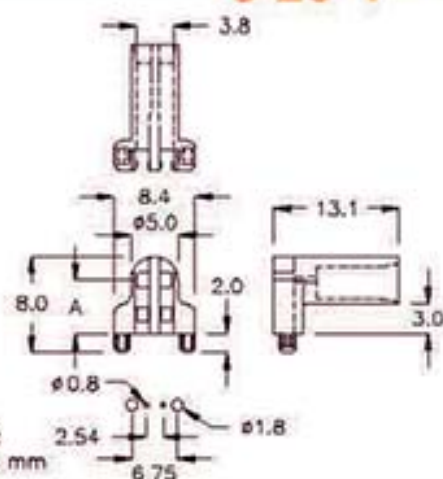


8-26-4



熱敏電阻座 NTC HOLDER
 MATERIAL: NYLON 66(UL)
 FLAME CLASS: 94V-0
 COLOR: BLACK

PART NO.	A	PACKAGE
HUP-05	5.5	500



HOLE IN CHASSIS:
 CHASSIS THICKNESS: >1.0 mm

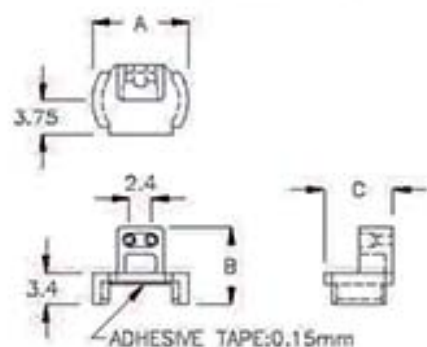
8-27-1



熱敏電阻座 NTC HOLDER

MATERIAL: NYLON 66(UL)
FLAME CLASS: 94V-0
COLOR: NATURAL

PART NO	A	B	C	PACKAGE
DXW-8A	10.5	8.4	7.5	1000



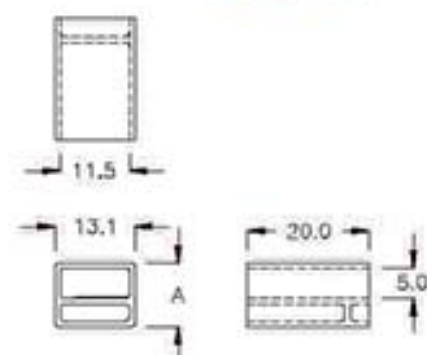
8-27-2



熱敏電阻座 NTC HOLDER

MATERIAL: PPS(UL)
FLAME CLASS: 94V-0
COLOR: BLACK

PART NO	A	PACKAGE
HUM-20K	10.6	500



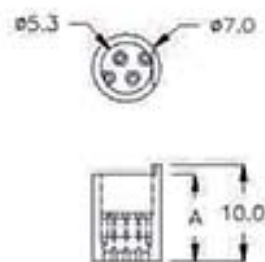
8-27-3



光感應器座 LIGHT SENSOR HOLDER

MATERIAL: NYLON 66(UL)
FLAME CLASS: 94V-2
COLOR: NATURAL

PART NO	A	PACKAGE
MTU-09	9.0	1000



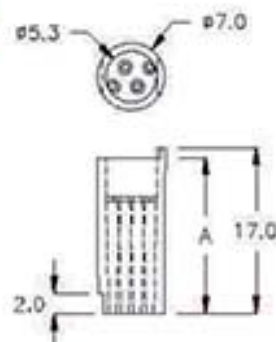
8-27-4



光感應器座 LIGHT SENSOR HOLDER

MATERIAL: NYLON 66(UL)
FLAME CLASS: 94V-2
COLOR: NATURAL

PART NO	A	PACKAGE
MTU-16D	16.0	500



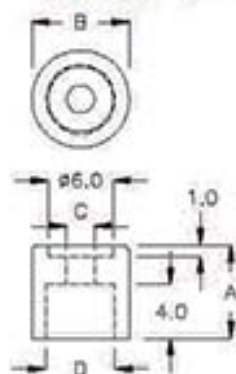
8-28-1



華司 WASHER

MATERIAL: NYLON 66(UL)
FLAME CLASS: 94V-2
COLOR: NATURAL

PART NO	A	B	C	D	PACKAGE
U-8A	6.5	φ9.0	φ2.6	φ5.4	2000



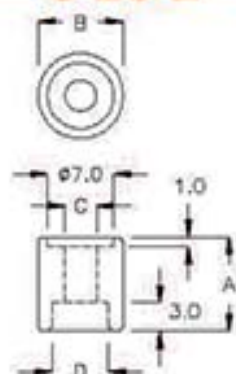
8-28-2



華司 WASHER

MATERIAL: NYLON 66(UL)
FLAME CLASS: 94V-2
COLOR: NATURAL

PART NO	A	B	C	D	PACKAGE
U-10A	10.0	φ9.0	φ3.4	φ6.0	1000



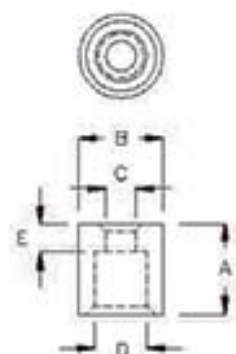
8-28-3



華司 WASHER

MATERIAL: NYLON 66(UL)
FLAME CLASS: 94V-2
COLOR: NATURAL

PART NO	A	B	C	D	E	PACKAGE
UWA-01	9.9	φ9.2	φ3.3	φ5.8	3.1	1000



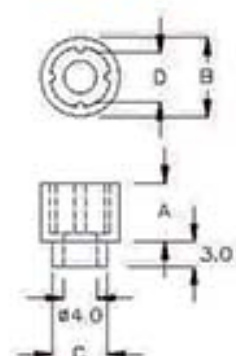
8-28-4



圓體間隔柱 SPACER SUPPORT

MATERIAL: NYLON 66(UL)
FLAME CLASS: 94V-2
COLOR: NATURAL

PART NO	A	B	C	D	PACKAGE
UWB-07	7.0	φ9.4	φ6.5	φ5.9	1000

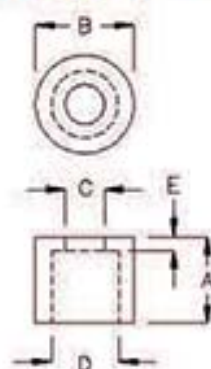


8-29-1



華司 WASHER

MATERIAL: NYLON 66(UL)
FLAME CLASS: 94V-2
COLOR: NATURAL



PART NO	A	øD	øC	øD	E	PACKAGE
U-2DK	2.5	7.0	3.8	5.0	1.0	2000
U-3	3.2	6.0	3.1	4.4	0.7	
U-3A	3.2	6.0	3.0	5.0	1.2	
U-3C	3.0	5.0	2.2	4.0	0.5	
U-3S	3.3	5.0	2.2	4.1	1.3	
U-4	4.2	6.0	2.2	4.3	1.3	
U-04D	4.8	10.5	6.2	9.4	0.5	
U-4FR	4.5	8.5	4.5	7.0	1.0	
U-4HK	4.5	9.1	5.5	6.8	2.7	
U-4S	4.3	5.0	2.2	4.2	1.2	
U-4WP	4.25	8.0	5.2	7.1	2.25	
U-5	4.6	8.0	4.0	6.5	1.6	
U-5C	5.6	8.0	4.0	6.5	1.6	
U-5H	5.0	9.0	5.3	8.0	0.5	

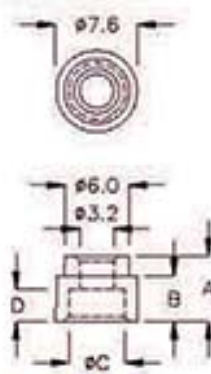
PART NO	A	øB	øC	øD	E	PACKAGE
U-5T	5.0	9.5	6.0	8.5	0.5	2000
U-05D	5.7	8.0	3.5	6.1	0.5	
U-6	6.5	8.0	3.5	6.1	0.85	
U-06C	6.0	10.5	6.5	9.5	0.5	
U-06D	6.5	10.4	6.9	9.4	0.5	1000
U-7	7.7	11.0	3.2	6.7	2.1	
U-7A	3.5	8.0	3.5	5.7	1.2	2000
U-07C	7.0	10.0	3.5	7.5	2.0	1000
U-8	7.7	11.0	4.0	7.1	1.6	
U-8A	7.5	12.4	8.2	11.4	0.5	
U-8S	7.7	11.0	4.0	7.1	2.0	
U-10	3.6	12.0	4.0	10.1	1.5	
U-12	12.0	10.0	3.2	6.3	1.5	
U-12A	12.0	8.5	4.5	7.0	6.0	

8-29-2



華司 WASHER

MATERIAL: NYLON 66(UL)
FLAME CLASS: 94V-2
COLOR: NATURAL



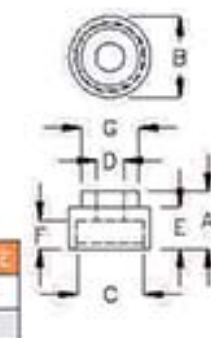
PART NO	A	B	C	D	PACKAGE
UWC-01	6.1	4.2	5.2	3.0	1000

8-29-3



華司 WASHER

FLAME CLASS: 94V-0
COLOR: NATURAL



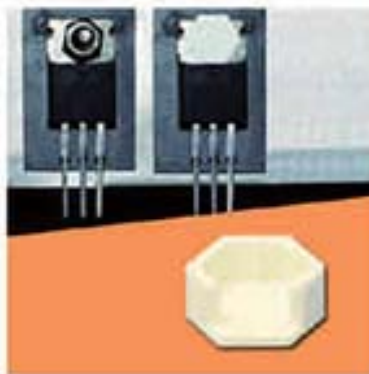
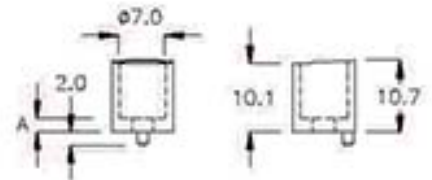
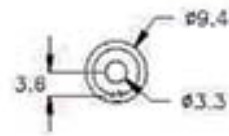
PART NO	MATERIAL	A	B	C	D	E	F	G	H	PACKAGE
★ UWT-SAC	N66	6.6	ø8.1	ø7.2	ø3.1	5.0	4.2	ø4.0		1000
UWT-6QR	PBT	8.2	ø11.5	ø9.5	ø4.1	6.0	4.0	ø8.2		2000



華司 WASHER

MATERIAL: NYLON 66(UL)
FLAME CLASS: 94V-2
COLOR: NATURAL

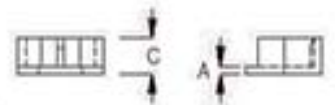
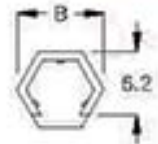
PART NO.	A	PACKAGE
WRA-02	1.0	1000



華司 WASHER

MATERIAL: NYLON 46(UL)
FLAME CLASS: 94V-0
COLOR: NATURAL
SUITABLE NUT: M3 NUT

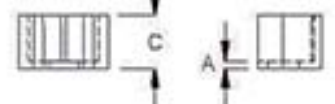
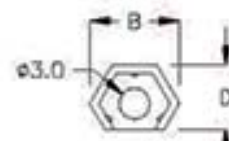
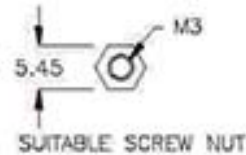
PART NO.	A	B	C	PACKAGE
U-05M	0.8	8.6	3.6	2000



華司 WASHER

MATERIAL: NYLON 46(UL)
FLAME CLASS: 94V-0
COLOR: NATURAL
SUITABLE NUT: M3 NUT

PART NO.	A	B	C	D	PACKAGE
U-05J	0.8	8.6	5.2	6.25	2000
U-05Y	0.8	7.8	4.0	5.8	
U-50F	0.8	8.6	4.0	6.25	

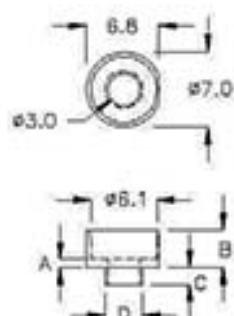




華司 WASHER

FLAME CLASS: 94V-0
COLOR: NATURAL, BLACK

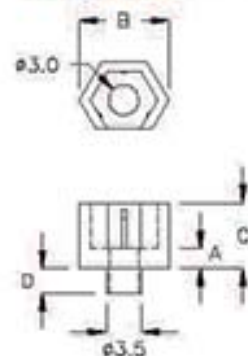
PART NO	MATERIAL	A	B	C	D	PACKAGE
U-03D	N46	0.8	3.5	1.6	φ3.5	2000
U-03F	N46	0.8	3.8	2.2	φ3.5	
U-03L	N46	0.8	5.0	1.6	φ3.5	
U-03R	N46	0.8	2.5	2.2	φ3.5	
U-4RY	N66	0.8	4.0	3.5	φ3.8	
U-4XQ	PPS	0.8	3.9	2.0	φ3.5	
U-5AB	N46	1.9	4.9	2.4	φ3.5	
U-5AF	N46	1.9	3.9	2.4	φ3.5	
U-5KW	N46	1.9	4.9	3.6	φ5.0	



華司 WASHER

MATERIAL: NYLON 46(UL)
FLAME CLASS: 94V-0
COLOR: NATURAL
SUITABLE NUT: M3 NUT

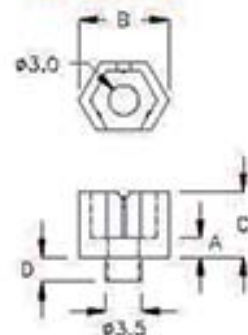
PART NO	A	B	C	D	PACKAGE
U-5CG	1.9	8.6	6.4	2.4	2000



華司 WASHER

MATERIAL: NYLON 46(UL)
FLAME CLASS: 94V-0
COLOR: NATURAL
SUITABLE NUT: M3 NUT

PART NO	A	B	C	D	PACKAGE
U-5NR	1.9	8.6	6.0	2.2	2000



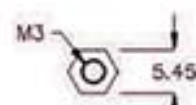
8-32-1



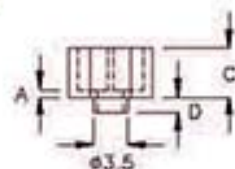
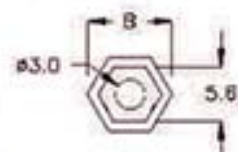
華司 WASHER

MATERIAL: NYLON 46(UL)
FLAME CLASS: 94V-0
COLOR: NATURAL
SUITABLE NUT: M3 NUT

PART NO	A	B	C	D	PACKAGE
U-05L	0.8	8.6	5.0	1.6	2000
U-05K	0.8	8.6	5.2	2.2	
U-05W	0.8	8.6	4.0	1.6	
U-5CF	1.9	8.6	6.3	2.4	
U-5CH	0.8	8.6	5.2	1.6	



SUITABLE SCREW NUT



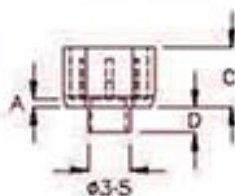
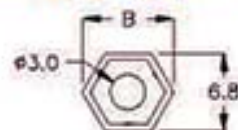
華司 WASHER

MATERIAL: NYLON 66(UL)
FLAME CLASS: 94V-0
COLOR: NATURAL
SUITABLE NUT: M3 NUT

PART NO	A	B	C	D	PACKAGE
U-05P	0.8	7.85	5.2	2.2	2000



SUITABLE SCREW NUT



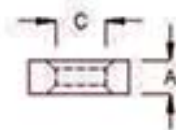
8-32-3



華司 WASHER

MATERIAL: NYLON 66(UL)
FLAME CLASS: 94V-2
COLOR: BLACK

PART NO	A	B	C	PACKAGE
WS-3KP	2.0	φ6.0	φ3.0	2000
WS-3MD	2.0	φ6.0	φ3.7	
WS-3QR	1.8	φ5.8	φ3.5	



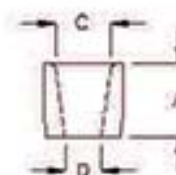
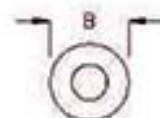
8-32-4



華司 WASHER

MATERIAL: NYLON 66(UL)
FLAME CLASS: 94V-2
COLOR: BLACK

PART NO	A	B	C	D	PACKAGE
SHC-06	6.0	φ6.5	φ4.6	φ3.0	2000



8-33-1



華司 WASHER

MATERIAL: SILICONE
COLOR: BLACK

PART NO.	A	B	C	PACKAGE
OPW-7A	1.5	φ13.5	φ7.2	1000
OPW-9CD	1.5	φ15.5	φ9.3	
OPW-15D	1.8	φ21.4	φ15.65	
OPW-19M	1.8	φ26.7	φ19.5	
OPW-20	1.8	φ28.2	φ20.0	
OPW-24A	2.0	φ31.5	φ24.3	



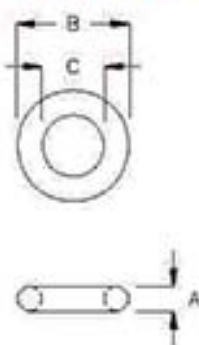
8-33-2



O型環 ORING

MATERIAL: SILICONE
COLOR: BLACK, ORANGE

PART NO.	A	B	C	PACKAGE
OIL-02C	1.0	φ4.5	φ2.5	5000
OIL-04C	1.5	φ7.5	φ4.5	
OIL-10	1.5	φ13.0	φ10.0	2000



8-33-3



華司 WASHER

MATERIAL: SILICONE
COLOR: BLACK

PART NO.	A	B	C	PACKAGE
WSR-11RM	1.5	φ18.0	φ11.9	2500



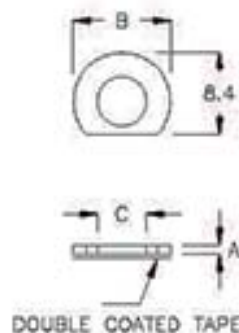
8-33-4



華司 WASHER

MATERIAL: SILICONE
COLOR: BLACK
ADHESIVE TAPE: 3M, or EQUIVALENT

PART NO.	A	B	C	PACKAGE
WSU-10	1.0	φ10.0	φ5.0	2000

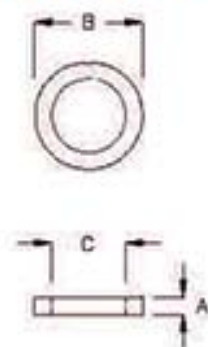




華司 WASHER

MATERIAL: NYLON 66(UL)
FLAME CLASS: 94V-2
COLOR: NATURAL

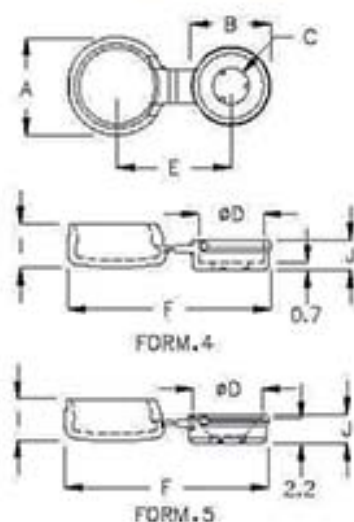
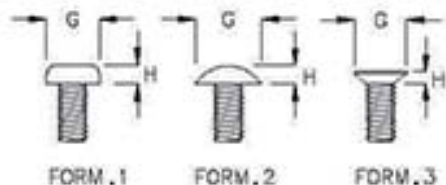
PART NO	A	B	C	PACKAGE
MYC-18Y	0.5	ø18.7	ø14.5	1000



螺絲蓋 SCREW COVER

MATERIAL: NYLON 66(UL)
FLAME CLASS: 94V-2
COLOR: BLACK

美觀保護螺絲
Better appearance and with
Protection.
如有其他顏色需求, 歡迎來電詢問
If you have other color request,
kindly feel free to contact with us.



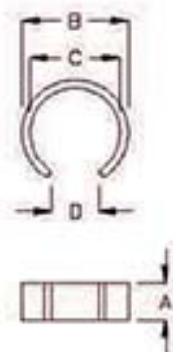
PART NO	A	B	C	D	E	F	I	J	SUITABLE SCREW				PACKAGE	
									SCREW	FORM	G	H		
M3P-BA	ø8.7	ø6.7	ø3.2	ø5.7	10.0	17.9	3.9	2.7	M3	1	5.5	2.0	4	1000
M3T-10K	ø10.1	ø8.1	ø3.2	ø7.1	11.4	20.7	3.9	2.7	M3	2	6.9	1.9	4	
M3F-9W	ø9.2	ø7.2	ø3.2	ø6.2	10.5	18.9	4.1	3.0	M3	3	6.0	1.8	5	
M4P-10A	ø10.2	ø8.2	ø4.2	ø7.2	11.5	20.9	4.4	3.3	M4	1	7.0	2.6	4	
M4T-12K	ø12.6	ø10.6	ø4.2	ø9.6	13.9	25.7	4.4	3.3	M4	2	9.4	2.5	4	
M4F-11W	ø11.2	ø9.2	ø4.2	ø8.2	12.5	22.9	4.1	3.0	M4	3	8.0	2.3	5	
UNBK-10K	ø10.1	ø8.1	ø3.7	ø7.1	11.4	20.6	3.9	2.8	#6-32	1	6.9	2.1	4	
UNBK-9D	ø9.8	ø7.8	ø3.7	ø6.8	11.1	20.1	4.4	3.3	#6-32	2	6.6	2.6	4	
UNBK-10FD	ø10.3	ø8.3	ø3.7	ø7.3	11.6	21.1	4.1	3.0	#6-32	3	7.1	2.1	5	



C型環 C RING

MATERIAL: NYLON 66(UL)
FLAME CLASS: 94V-2
COLOR: NATURAL, BLACK

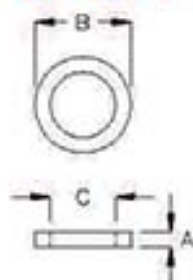
PART NO	A	B	C	D	PACKAGE
WCC-05	2.3	ø6.55	ø5.55	2.9	2000
WCC-5A	2.46	ø6.2	ø5.05	1.8	





華司 WASHER

MATERIAL: NYLON 66(UL)
FLAME CLASS: 94V-2
COLOR: NATURAL



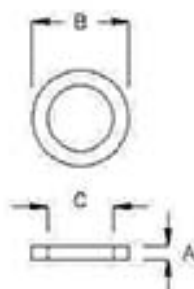
PART ID	A	B	C	PACKAGE
WS-1BD	1.0	ø3.2	ø1.6	2000
WS-01N	0.45	ø3.9	ø1.85	
WS-2RK	1.0	ø4.0	ø2.0	
WS-2HR	1.0	ø4.1	ø2.2	
WS-0	0.4	ø4.2	ø2.5	
WS-04C	0.5	ø4.5	ø2.5	
WS-4KT	1.5	ø4.9	ø3.7	
WS-1D	1.0	ø5.0	ø2.7	
WS-1F	1.5	ø5.0	ø2.5	
WS-2DC	1.8	ø5.0	ø3.1	
WS-1B	0.5	ø5.5	ø2.5	
WS-1C	0.5	ø5.5	ø3.0	
WS-2FA	1.8	ø5.5	ø3.1	
WS-3GK	1.0	ø5.5	ø3.0	
WS-3A	1.4	ø5.5	ø2.9	
WS-6NZ	0.5	ø6.0	ø4.3	
WS-01L	0.8	ø6.0	ø3.1	
WS-2K	1.0	ø6.0	ø2.7	
WS-5HY	1.0	ø6.2	ø3.2	
WS-06K	1.5	ø6.35	ø3.3	
WS-06A	1.0	ø6.5	ø3.8	
WS-06C	1.35	ø6.8	ø4.9	
WS-07H	0.5	ø7.0	ø2.2	
WS-1R	0.6	ø7.0	ø4.6	
WS-1M	0.8	ø7.0	ø3.1	
WS-02M	1.0	ø7.0	ø3.2	
WS-3SB	1.0	ø7.0	ø3.5	
WS-07F	0.85	ø7.5	ø4.3	
WS-07C	1.55	ø7.5	ø5.1	
WS-08F	0.9	ø7.8	ø4.1	
WS-4	0.8	ø7.9	ø4.0	
WS-9	0.5	ø8.0	ø5.1	
WS-23	0.6	ø8.0	ø1.6	
WS-1S	0.7	ø8.0	ø3.0	
WS-8RM	0.8	ø8.0	ø3.2	
WS-6FP	0.8	ø8.0	ø5.8	
WS-1	1.0	ø8.0	ø3.2	
WS-57	1.6	ø8.0	ø3.0	
WS-9A	2.0	ø8.0	ø5.1	
WS-2	1.7	ø8.1	ø3.2	
WS-8MK	1.0	ø8.2	ø5.65	
WS-24	0.8	ø9.0	ø4.0	

PART NO	A	B	C	PACKAGE
WS-9RC	0.75	ø9.0	ø5.85	2000
WS-9DK	0.75	ø9.0	ø6.25	
★ WS-9KR	0.8	ø9.0	ø4.4	
WS-4PS	1.0	ø9.0	ø4.5	
WS-06M	1.5	ø9.0	ø5.5	
WS-22	1.8	ø9.0	ø4.2	
WS-5KL	1.0	ø9.5	ø5.0	
WS-7DM	3.7	ø9.5	ø4.2	
WS-5	3.0	ø9.9	ø4.0	
WS-06D	0.8	ø10.0	ø6.7	
WS-10C	1.0	ø10.0	ø3.1	
WS-6	1.1	ø10.0	ø5.5	
WS-3	1.2	ø10.0	ø4.2	
WS-10F	2.65	ø10.0	ø6.6	
WS-10AC	3.0	ø10.0	ø6.6	
WS-7	3.5	ø10.0	ø6.0	
WS-10	4.0	ø10.0	ø3.6	1000
★ WS-10AH	0.4	ø10.2	ø6.5	2000
WS-11F	1.0	ø11.0	ø4.1	
WS-11MC	1.5	ø11.1	ø5.2	
WS-11KY	2.0	ø11.5	ø4.5	
WS-8	0.5	ø12.0	ø8.2	
WS-12S	1.0	ø12.0	ø3.1	
WS-12FC	1.0	ø12.0	ø7.4	
WS-12A	1.5	ø12.0	ø4.5	
WS-12	1.2	ø12.1	ø6.4	
WS-13	3.8	ø12.6	ø6.4	1000
WS-13A	4.2	ø13.0	ø3.6	
WS-13C	1.0	ø13.0	ø10.0	
WS-14	1.0	ø14.0	ø6.5	2000
WS-14F	1.0	ø14.0	ø10.4	
WS-56	1.6	ø14.1	ø8.2	
WS-15	4.8	ø14.7	ø12.6	1000
WS-16D	0.8	ø16.0	ø9.7	2000
WS-16A	1.6	ø16.0	ø9.7	
WS-16F	1.6	ø16.0	ø8.4	
WS-17	1.5	ø17.0	ø13.5	
WS-18	0.8	ø18.0	ø4.2	
WS-18QT	1.4	ø18.0	ø8.1	
WS-20	1.0	ø20.0	ø14.5	1000
WS-20A	2.0	ø20.0	ø10.5	
WS-21	1.0	ø21.0	ø14.1	
WS-22PM	1.5	ø22.0	ø16.5	
WS-26	1.5	ø26.0	ø20.5	



華司 WASHER

MATERIAL: NYLON 6
 COLOR: NATURAL
 OTHER MATERIAL & THICKNESS
 AVAILABLE FOR OPTIONAL REQUEST
 (我可備有其他尺寸, 歡迎來電洽詢)



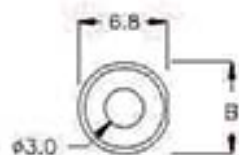
PART NO	A	B	C	PACKAGE
NWT-01	0.5	ø4.5	ø2.1	5000
NWT-02	0.5	ø4.5	ø2.6	
NWT-03	0.5	ø4.6	ø2.5	
NWT-04	0.5	ø4.7	ø2.6	
NWT-05	0.5	ø5.0	ø2.2	
NWT-06	0.5	ø5.0	ø2.5	
NWT-07	0.5	ø5.0	ø2.6	
NWT-08	0.5	ø5.0	ø3.0	
NWT-09	0.5	ø5.0	ø3.1	
NWT-10	0.5	ø5.0	ø3.2	
NWT-11	0.5	ø5.0	ø3.5	
NWT-12	0.5	ø5.6	ø3.1	
NWT-13	0.5	ø5.6	ø4.8	
NWT-14	0.5	ø6.0	ø2.1	
NWT-15	0.5	ø6.0	ø3.1	
NWT-16	0.5	ø6.0	ø3.2	
NWT-17	0.5	ø6.0	ø3.6	
NWT-18	0.5	ø6.0	ø4.1	
NWT-19	0.5	ø6.0	ø4.3	
NWT-21	0.5	ø6.5	ø2.98	
NWT-22	0.5	ø6.5	ø3.5	
NWT-23	0.5	ø6.5	ø4.1	
NWT-24	0.5	ø7.0	ø2.5	
NWT-25	0.5	ø7.0	ø4.2	
NWT-26	0.5	ø7.0	ø5.1	
NWT-27	0.5	ø7.0	ø3.1	
NWT-28	0.5	ø7.5	ø4.8	
NWT-29	0.5	ø7.8	ø3.2	
NWT-30	0.5	ø8.0	ø3.1	

PART NO	A	B	C	PACKAGE
NWT-31	0.5	ø8.0	ø4.1	5000
NWT-32	0.5	ø8.0	ø5.0	
NWT-33	0.5	ø8.0	ø5.1	
NWT-34	0.5	ø8.0	ø6.0	
NWT-36	0.5	ø8.8	ø4.0	
NWT-37	0.5	ø8.8	ø5.2	
NWT-38	0.5	ø9.0	ø4.5	
NWT-39	0.5	ø9.0	ø6.1	
NWT-40	0.5	ø10.0	ø3.1	
NWT-41	0.5	ø10.0	ø4.1	
NWT-42	0.5	ø10.0	ø5.1	
NWT-43	0.5	ø10.0	ø5.2	
NWT-44	0.5	ø10.0	ø5.5	
NWT-45	0.5	ø10.0	ø6.1	
NWT-46	0.5	ø10.0	ø6.4	
NWT-47	0.5	ø10.4	ø7.2	
NWT-48	0.5	ø10.5	ø6.6	
NWT-49	0.5	ø10.8	ø7.2	
NWT-50	0.5	ø11.0	ø5.0	
NWT-51	0.5	ø11.6	ø7.6	
NWT-52	0.5	ø12.0	ø3.6	
NWT-53	0.5	ø12.0	ø5.2	
NWT-54	0.5	ø12.0	ø6.0	
NWT-55	0.5	ø12.0	ø7.3	
NWT-56	0.5	ø12.0	ø8.0	
NWT-58	0.5	ø13.0	ø6.5	
NWT-59	0.5	ø13.0	ø7.95	
NWT-60	0.5	ø13.0	ø8.0	
NWT-99	0.5	ø9.1	ø4.0	

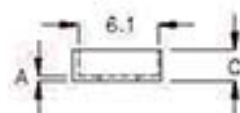


華司 WASHER

MATERIAL: NYLON 46(UL)
 FLAME CLASS: 94V-0
 COLOR: NATURAL



PART NO	A	B	C	PACKAGE
U-D2A	0.3	ø7.0	2.3	2000



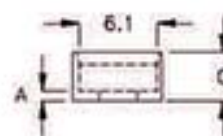
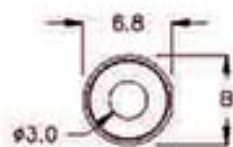
8-37-1



華司 WASHER

MATERIAL: NYLON 46(UL)
FLAME CLASS: 94V-0
COLOR: NATURAL

PART NO.	A	B	C	PACKAGE
U-02F	0.3	φ7.0	1.9	2000
U-03K	0.8	φ7.0	3.8	



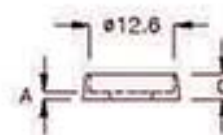
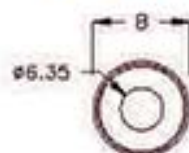
8-37-2



華司 WASHER

MATERIAL: NYLON 66(UL)
FLAME CLASS: 94V-2
COLOR: BLACK

PART NO.	A	B	C	PACKAGE
UWD-6K	1.1	φ14.3	3.65	1000



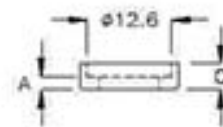
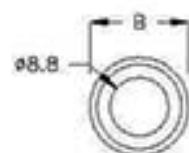
8-37-3



華司 WASHER

MATERIAL: PPO(UL)
FLAME CLASS: 94V-1
COLOR: GRAY

PART NO.	A	B	C	PACKAGE
UWJ-14Q	2.0	φ14.6	4.0	1000



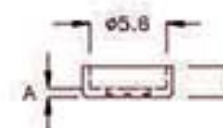
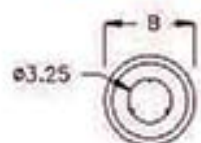
8-37-4



華司 WASHER

MATERIAL: NYLON 66(UL)
FLAME CLASS: 94V-2
COLOR: BLACK
USE SCREW: M3

PART NO.	A	B	C	PACKAGE
UWD-3F	0.6	φ6.7	2.3	1000



PINGOOD

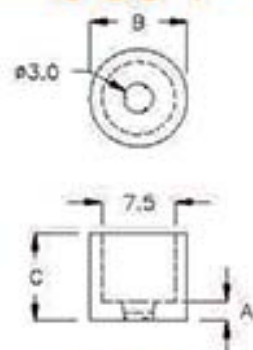
8-38-1



華司 WASHER

MATERIAL: NYLON 66(UL)
FLAME CLASS: 94V-2
COLOR: NATURAL
USE SCREW: M3

PART NO	A	B	C	PACKAGE
UWK-9	2.0	10.0	9.0	1000



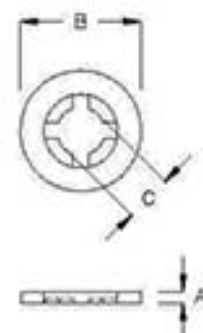
8-38-2



華司 WASHER

MATERIAL: NYLON 66(UL)
FLAME CLASS: 94V-2
COLOR: NATURAL

PART NO	A	B	C	SCREW	PACKAGE
WSF-02	0.6	φ4.5	φ1.6	M2x0.4	2000
WSF-3	0.8	φ8.3	φ3.2	#6-32	
WSF-3A	0.75	φ6.7	φ2.5	M3x0.5	
WSF-3D	0.6	φ5.0	φ2.5	M3x0.5	
WSF-3DK	0.6	φ5.0	φ2.4		
WSF-3M	1.0	φ8.0	φ2.5	M3x0.5	
WSF-3S	0.6	φ8.3	φ3.2	#6-32	
WSF-04	1.0	φ12.5	φ3.6	M4x0.7	
WSF-06	2.0	φ12.0	φ5.25		
WSF-6KT	1.0	φ6.3	φ2.3		
WSF-10	0.7	φ10.0	φ5.2		



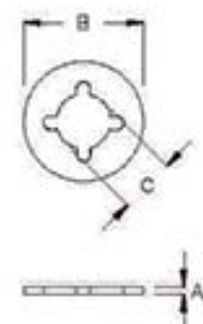
8-38-3



華司 WASHER

MATERIAL: NYLON 66(UL)
FLAME CLASS: 94V-2
COLOR: NATURAL

PART NO	A	B	C	SCREW	PACKAGE
WSF-09	0.6	φ9.0	φ4.2	M5x0.8	2000



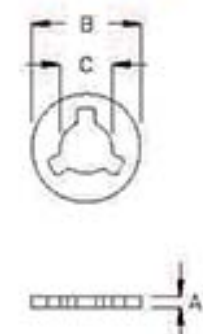
8-38-4



華司 WASHER

MATERIAL: NYLON 6
COLOR: NATURAL

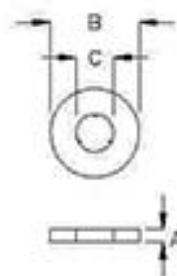
PART NO	A	B	C	PACKAGE
WRD-2A	0.5	φ4.8	φ2.3	10000





華司 WASHER

MATERIAL: NYLON 66(UL)
FLAME CLASS: 94V-2
COLOR: NATURAL



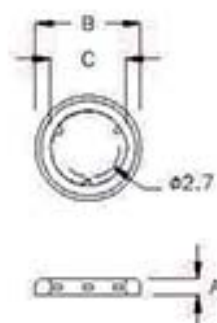
PART NO	A	B	C	USE SCREW	PACKAGE
WS-5RM	1.0	φ5.5	φ3.2	M3	2000
WS-5WK	1.2	φ5.5	φ3.2	M3	
WS-5YT	1.8	φ5.5	φ3.2	M3	
WS-6AT	1.5	φ6.35	φ3.2	M3	
WS-2T	0.9	φ6.5	φ3.25	M3	
WS-7RT	0.8	φ7.0	φ3.2	M3	
WS-7YM	1.2	φ7.0	φ4.2	M4	
WS-7TH	1.0	φ7.0	φ4.2	M4	
WS-7AY	1.5	φ7.5	φ4.2	M4	
WS-7FT	0.65	φ7.5	φ4.2	M4	
WS-8WT	0.8	φ7.9	φ4.2	M4	

PART NO	A	B	C	USE SCREW	PACKAGE
WS-8HT	0.5	φ8.0	φ5.3	M5	2000
WS-8ST	1.0	φ8.0	φ3.2	M3	
WS-8TQ	2.0	φ8.0	φ3.2	M3	
WS-3T	1.2	φ10.0	φ4.2	M4	
WS-11KT	1.0	φ11.0	φ4.2	M4	
WS-11DF	2.0	φ11.0	φ4.2	M4	
WS-11QT	2.0	φ11.5	φ4.2	M4	
WS-12T	1.0	φ12.0	φ3.2	M3	
WS-12CK	2.0	φ12.0	φ3.2	M3	
WS-4T	3.0	φ14.0	φ4.2	M4	
WS-15T	1.0	φ15.0	φ3.2	M3	
WS-15KR	2.0	φ15.0	φ3.2	M3	



華司 WASHER

MATERIAL: NYLON 66(UL)
FLAME CLASS: 94V-2
COLOR: NATURAL

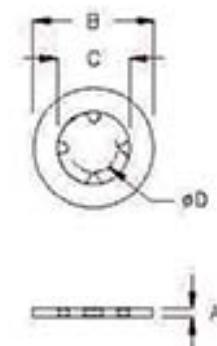


PART NO	A	B	C	USE SCREW	PACKAGE
WRK-3C	0.7	φ4.8	φ3.3	M3	2000



華司 WASHER

MATERIAL: NYLON 66(UL)
FLAME CLASS: 94V-2
COLOR: NATURAL



PART NO	A	B	C	D	USE SCREW	PACKAGE
WRC-5Q	0.8	φ11.0	φ6.6	φ4.4	2000	
WRC-3BA	1.0	φ8.0	φ3.5	φ2.7		
WRC-4GC	0.8	φ10.0	φ4.5	φ3.7		
WRC-5MK	1.0	φ11.0	φ5.5	φ4.7		

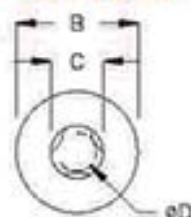
8-40-1



華司 WASHER

MATERIAL: PE
COLOR: NATURAL

PART NO	A	B	C	φ	USE SCREW	PACKAGE
WRD-3K	0.8	φ10.0	φ4.4	φ3.2	M4	2000



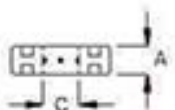
8-40-2



華司 WASHER

MATERIAL: NYLON 66(UL)
FLAME CLASS: 94V-2
COLOR: NATURAL

PART NO	A	B	C	USE SCREW	PACKAGE
WS-20T	2.4	φ8.0	φ3.0	M3	2000



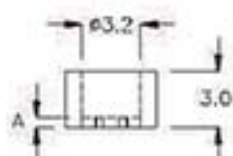
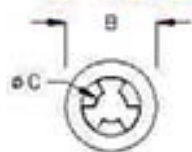
8-40-3



華司 WASHER

MATERIAL: NYLON 66(UL)
FLAME CLASS: 94V-2
COLOR: NATURAL

PART NO	A	B	C	USE SCREW	PACKAGE
WSX-1A	0.5	φ5.0	φ1.8	M1.6	2000



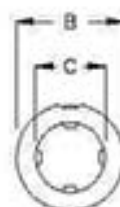
8-40-4



華司 WASHER

MATERIAL: NYLON 66(UL)
FLAME CLASS: 94V-2
COLOR: NATURAL

PART NO	A	B	C	USE SCREW	PACKAGE
WS-4FT	1.0	φ7.0	φ4.2	M4	2000
WS-4XT	1.5	φ7.0	φ4.2		
WS-4BT	2.0	φ7.0	φ4.2		
WS-5T	0.8	φ8.0	φ5.2	M5	
WS-5WT	1.0	φ8.0	φ5.2		
WS-5LT	1.5	φ8.0	φ5.2		
WS-5BT	2.0	φ8.0	φ5.2	M6	
WS-6GT	1.0	φ9.0	φ6.2		
WS-6HT	1.5	φ9.0	φ6.2		
WS-6PT	2.0	φ9.0	φ6.2		



PINGOOD

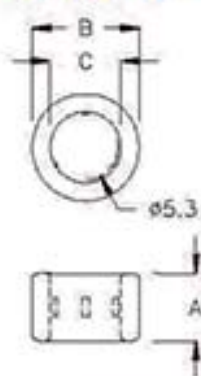
8-41-1



華司 WASHER

MATERIAL: NYLON 66(UL)
FLAME CLASS: 94V-2
COLOR: NATURAL

PART NO.	A	B	C	PACKAGE
WRP-5LA	5.5	ø8.7	ø5.8	1000



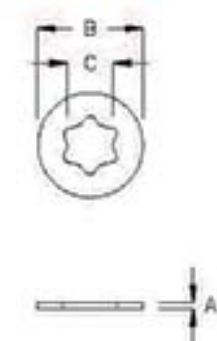
8-41-2



華司 WASHER

MATERIAL: NYLON 66(UL)
FLAME CLASS: 94V-2
COLOR: NATURAL

PART NO.	A	B	C	USE SCREW	PACKAGE
WSH-08	0.5	ø8.0	3.4	#6-32	2000



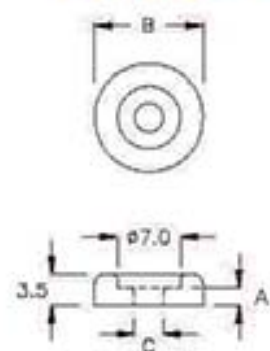
8-41-3



華司 WASHER

MATERIAL: NYLON 66(UL)
FLAME CLASS: 94V-2
COLOR: NATURAL

PART NO.	A	B	C	PACKAGE
UWD-3D	2.0	ø12.0	ø3.2	1000



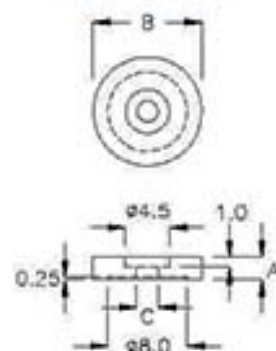
8-41-4



華司 WASHER

MATERIAL: NYLON 66(UL)
FLAME CLASS: 94V-2
COLOR: NATURAL

PART NO.	A	B	C	PACKAGE
WWK-11A	2.25	ø11.0	ø2.2	2000



PINGOOD

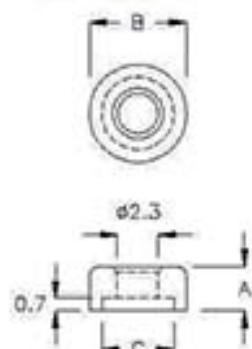
8-42-1



華司 WASHER

MATERIAL: NYLON 66(UL)
FLAME CLASS: 94V-0
COLOR: BLACK

PART NO	A	B	C	PACKAGE
UWQ-2M	2.5	φ5.5	φ4.1	1000



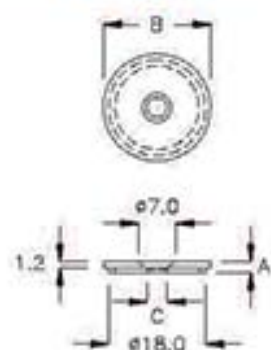
8-42-2



華司 WASHER

MATERIAL: NYLON 66(UL)
FLAME CLASS: 94V-2
COLOR: NATURAL

PART NO	A	B	C	PACKAGE
WSA-02	2.1	φ20.0	φ3.7	1000



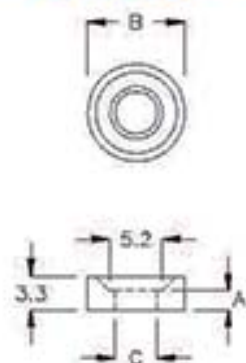
8-42-3



華司 WASHER

MATERIAL: NYLON 66(UL)
FLAME CLASS: 94V-2
COLOR: BLACK

PART NO	A	B	C	PACKAGE
WRB-3A	1.9	φ9.6	φ4.2	2000
WRB-3C	1.9	φ11.5	φ4.2	



8-42-4



華司 WASHER

MATERIAL: POM
FLAME CLASS: 94HB
COLOR: NATURAL

PART NO	A	B	C	PACKAGE
WRF-02	2.0	φ7.0	φ4.2	1000

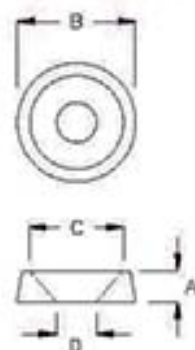


8-43-1



華司 WASHER

MATERIAL: NYLON 66(UL)
FLAME CLASS: 94V-2
COLOR: NATURAL



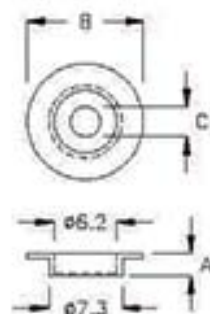
PART NO	A	B	C	D	USE SCREW	PACKAGE
UWM-03	2.5	φ9.6	φ6.3	φ3.1	M3	2000
UWM-04	2.7	φ11.6	φ8.4	φ4.1	M4	
UWM-05	3.2	φ13.6	φ10.4	φ5.1	M5	
UWS-11	2.55	φ11.0	φ8.0	φ3.9	NO. 6-32UNC	1000
UWS-13	2.9	φ13.0	φ9.4	φ4.4	NO. 8-32UNC	
UWS-14	3.85	φ14.7	φ11.6	φ5.0	NO. 10-24UNC	
UWS-15	4.0	φ15.4	φ12.7	φ5.8	NO. 12-24UNC	
UWS-17	4.65	φ17.3	φ14.5	φ6.5	1/4-20UNC	

8-43-2



華司 WASHER

MATERIAL: NYLON 66(UL)
FLAME CLASS: 94V-2
COLOR: BLACK



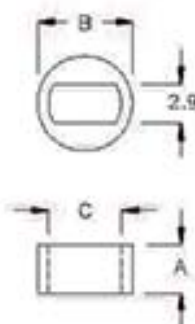
PART NO	A	B	C	PACKAGE
WSA-01	2.4	φ11.5	φ3.0	2000

8-43-3



固定座 MOUNT

MATERIAL: NYLON 66(UL)
FLAME CLASS: 94V-2
COLOR: NATURAL



PART NO	A	B	C	PACKAGE
UWF-3PQ	3.8	φ7.0	φ5.4	2000
UWF-05	5.0	φ7.0	φ5.3	

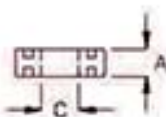
8-44-1



華司 WASHER

MATERIAL: NYLON 66(UL)
FLAME CLASS: 94V-2
COLOR: BLACK

PART NO	A	B	C	PACKAGE
WSC-01	4.5	φ15.0	φ6.0	1000
WSC-1A	5.7	φ15.0	φ6.0	



8-44-2

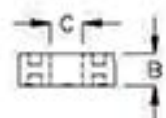


華司 WASHER

MATERIAL: NYLON 66(UL)
FLAME CLASS: 94V-2
COLOR: BLACK

NEW

PART NO	A	B	C	PACKAGE
★ WSC-30KP	φ30.0	φ10.0	10.0	200



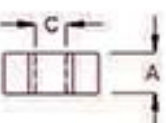
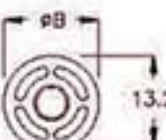
8-44-3



華司 WASHER

MATERIAL: NYLON 66(UL)
FLAME CLASS: 94V-2
COLOR: NATURAL

PART NO	A	B	C	PACKAGE
WSC-06	6.0	φ14.0	φ4.6	1000



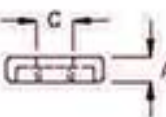
8-44-4



華司 WASHER

MATERIAL: NYLON 66(UL)
FLAME CLASS: 94V-2
COLOR: NATURAL

PART NO	A	B	C	PACKAGE
WWF-4K	3.1	φ12.0	φ4.35	2000



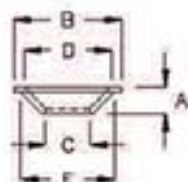
8-45-1



華司 WASHER

MATERIAL: NYLON 66(UL)
FLAME CLASS: 94V-2
COLOR: NATURAL, BLACK

PART NO	A	B	C	D	E	PACKAGE
WSL-01	2.5	φ10.0	φ4.1	φ8.1	φ8.7	2000
WSL-02	1.5	φ7.0	φ3.1	φ5.1	φ5.7	



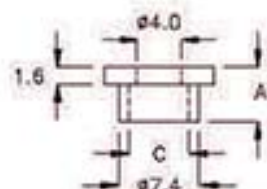
8-45-2



華司 WASHER

MATERIAL: NYLON 66(UL)
FLAME CLASS: 94V-2
COLOR: BLACK

PART NO	A	B	C	PACKAGE
WSB-01	5.0	φ10.0	φ5.4	1000



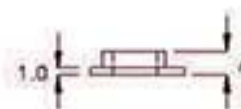
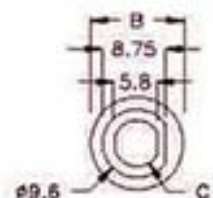
8-45-3



華司 WASHER

MATERIAL: NYLON 66(UL)
FLAME CLASS: 94V-2
COLOR: BLACK

PART NO	A	B	C	PACKAGE
WSJ-01	3.4	φ13.0	φ6.3	2000



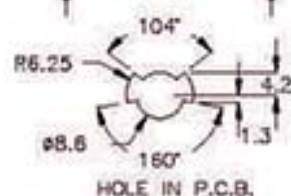
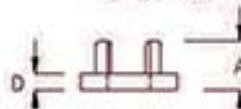
8-45-4



華司 WASHER

MATERIAL: NYLON 66(UL)
FLAME CLASS: 94V-2
COLOR: BLACK

PART NO	A	B	C	D	PACKAGE
MIA-03	9.0	φ17.9	φ8.1	3.0	500
MIA-04	10.0	φ17.9	φ8.0	4.0	



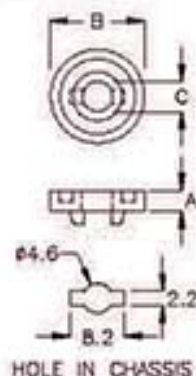
8-46-1



華司 WASHER

MATERIAL: NYLON 66(UL)
FLAME CLASS: 94V-2
COLOR: NATURAL

PART NO	A	B	C	PACKAGE
WST-14	3.0	φ14.0	φ4.5	500



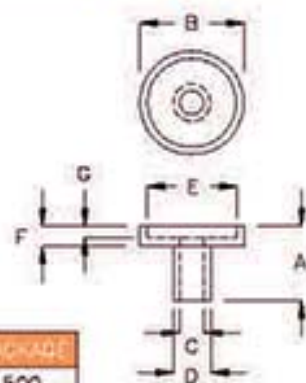
8-46-2



華司 WASHER

MATERIAL: NYLON 66(UL)
FLAME CLASS: 94V-2
COLOR: NATURAL

PART NO	A	B	C	D	E	F	G	PACKAGE
WSQ-01	10.0	φ14.0	φ3.2	φ5.0	φ12.0	2.8	1.8	500
WSQ-03	7.3	φ7.0	φ3.0	φ3.5	φ6.1	3.8	3.0	1000



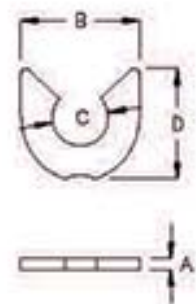
8-46-3



華司 WASHER

MATERIAL: POM
FLAME CLASS: 94HB
COLOR: NATURAL

PART NO	A	B	C	D	PACKAGE
WU-1	0.8	12.6	φ5.9	11.5	2000
WU-002	0.8	9.5	φ4.1	8.9	



8-46-4

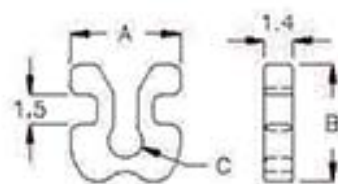


華司 WASHER

MATERIAL: NYLON 66(UL)
FLAME CLASS: 94V-2
COLOR: NATURAL

NEW

PART NO	A	B	C	PACKAGE
★ WUS-1A	5.5	5.84	φ1.7	2000

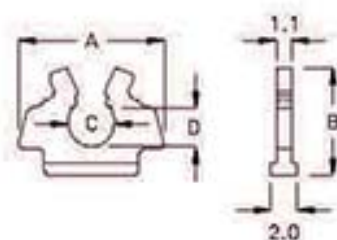


8-47-1



華司 WASHER

MATERIAL: NYLON 66(UL)
FLAME CLASS: 94V-2
COLOR: NATURAL



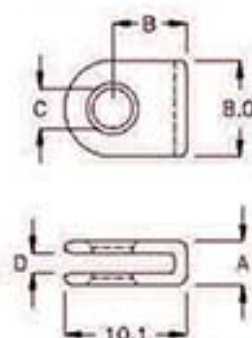
PART NO.	A	B	C	D	PACKAGE
WSM-01	10.8	8.0	3.4	2.9	2000

8-47-2



華司 WASHER

MATERIAL: NYLON 66(UL)
FLAME CLASS: 94V-2
COLOR: NATURAL



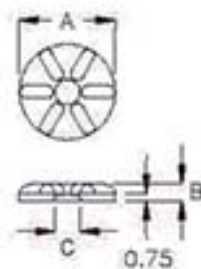
PART NO.	A	B	C	D	PACKAGE
WSU-01	3.6	6.1	φ3.3	1.6	2000

8-47-3



防震華司 SHOCK-ABSORB WASHER

MATERIAL: TPE
COLOR: GRAY
WITH M2.6 SCREW



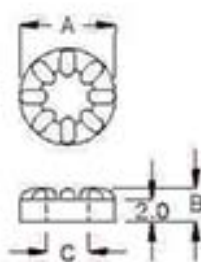
PART NO.	A	B	C	PACKAGE
GSG-01	φ9.6	1.75	φ2.5	2000

8-47-4



防震華司 SHOCK-ABSORB WASHER

MATERIAL: SILICONE
COLOR: BLACK



PART NO.	A	B	C	PACKAGE
GSG-03	φ8.6	3.0	φ3.74	2000

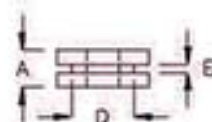
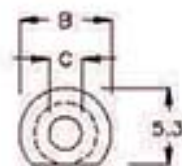
8-48-1



華司 WASHER

MATERIAL: NYLON 66(UL)
FLAME CLASS: 94V-2
COLOR: NATURAL

PART NO	A	B	C	D	E	PACKAGE
WSN-2A	2.6	φ6.3	φ2.3	φ4.3	0.8	2000



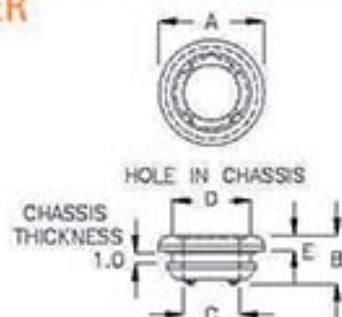
8-48-2



防震華司 SHOCK-ABSORB WASHER

MATERIAL: TPE
COLOR: BLACK

PART NO	A	B	C	D	E	PACKAGE
GLH-2A	φ10.3	4.7	φ5.5	φ8.0	1.4	2000
GLH-12MP	φ12.0	4.9	φ6.2	φ8.2	1.8	



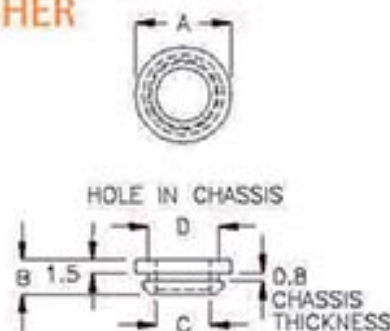
8-48-3



防震華司 SHOCK-ABSORB WASHER

MATERIAL: TPE
COLOR: BLACK

PART NO	A	B	C	D HOLE IN CHASSIS	PACKAGE
GLH-3WD	φ11.0	3.9	φ6.4	φ8.1	2000



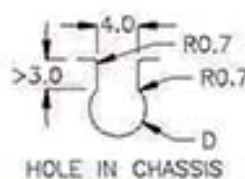
8-48-4



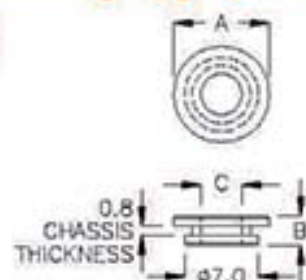
防震華司 SHOCK-ABSORB WASHER

MATERIAL: TPE
COLOR: BLACK

NEW



PART NO	A	B	C	D HOLE IN CHASSIS	PACKAGE
★ GQH-9AT	φ9.0	2.8	φ3.9	φ5.5	2000



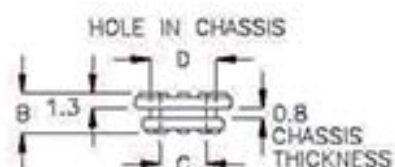


防震華司 SHOCK-ABSORB WASHER

MATERIAL: TPE
COLOR: BLACK

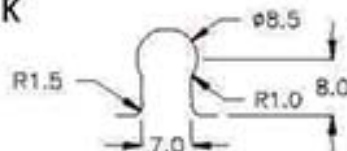


PART NO	A	B	C	D HOLE IN CHASSIS	PACKAGE
GSK-13A	ø8.0	3.4	ø3.9	ø5.5	2000

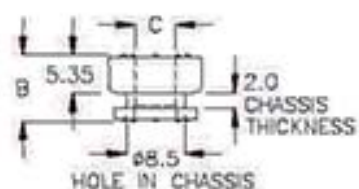


防震華司 SHOCK-ABSORB WASHER

MATERIAL: TPE
COLOR: BLACK

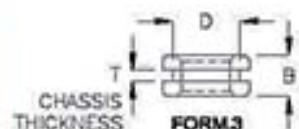
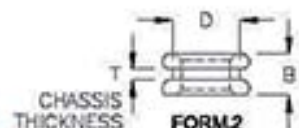
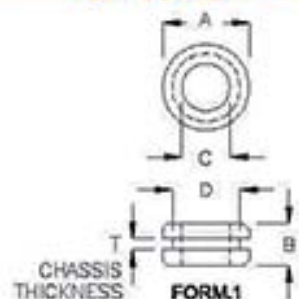
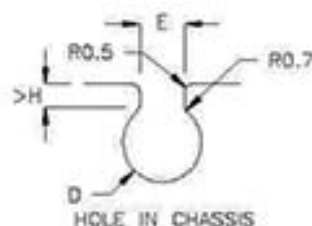


PART NO	A	B	C	PACKAGE
GSK-13A	ø13.0	9.35	ø5.6	1000



防震華司 SHOCK-ABSORB WASHER

MATERIAL: TPR, TPE, SILICONE
COLOR: BLACK

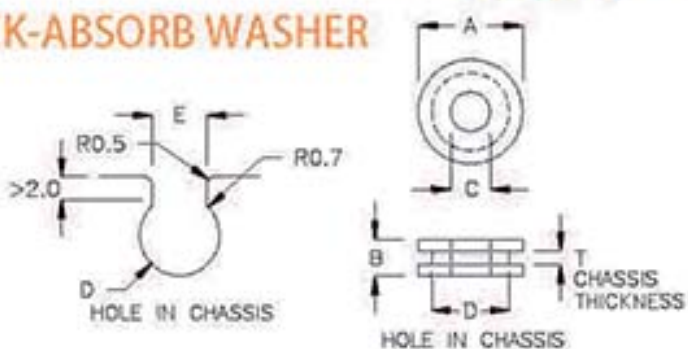


PART NO	MATERIAL	A	B	C	D	E	H	T CHASSIS THICKNESS	FORM	PACKAGE
WSS-02C	TPR	ø7.0	2.8	ø3.9	ø5.5	4.0	1.6	0.8	1	2000
WSS-03A	SILICONE	ø7.0	3.4	ø3.9	ø5.5	4.0	1.6	0.8	2	
WSS-3RK	SILICONE	ø8.2	3.8	ø4.0	ø6.0	4.0	2.0	0.8	3	
WSS-07	TPE	ø7.0	5.0	ø3.9	ø5.5	4.0	1.6	0.8	1	
WSS-5GD	TPE	ø5.0	4.0	ø2.5	ø4.0	3.0	1.5	1.0	2	
WSS-10CQ	SILICONE	ø10.0	5.35	ø4.0	ø6.0	4.0	3.0	1.2	3	1000



防震華司 SHOCK-ABSORB WASHER

MATERIAL: TPE
COLOR: BLACK

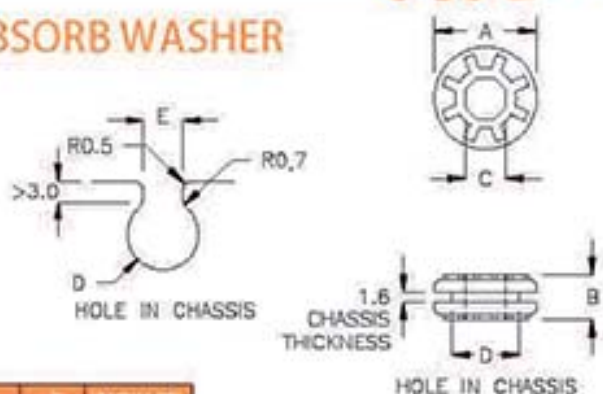


PART NO	A	B	C	D	E	T CHASSIS THICKNESS	PACKAGE
GSH-12	φ12.7	4.4	φ4.8	φ9.5	8.5	1.6	1000
GSH-12AP	φ12.0	9.0	φ6.0	φ9.0	8.0	1.0	

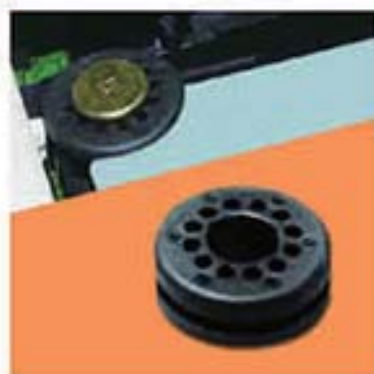


防震華司 SHOCK-ABSORB WASHER

MATERIAL: TPE
COLOR: BLACK

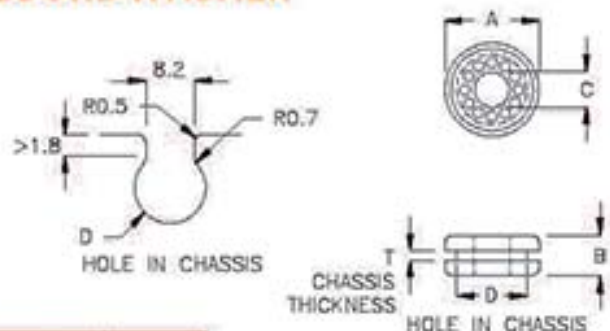


PART NO	A	B	C	D	E	PACKAGE
GSA-2C	φ18.0	7.0	6.3	φ10.5	9.0	500
GSA-2D	φ20.0	14.0	6.3	φ14.7	13.2	200



防震華司 SHOCK-ABSORB WASHER

MATERIAL: TPE
COLOR: BLACK



PART NO	A	B	C	D	T CHASSIS THICKNESS	PACKAGE
GSA-2H	φ12.7	5.4	φ4.8	φ9.2	1.0	1000

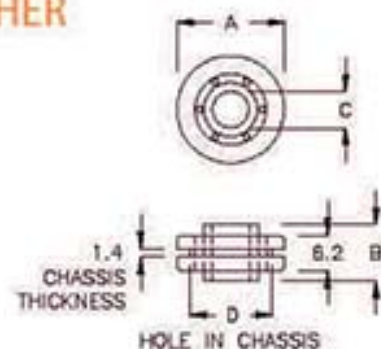
8-51-1



防震華司 SHOCK-ABSORB WASHER

MATERIAL: TPE
COLOR: BLACK

PART NO	A	B	C	D	PACKAGE
GSD-01	ø18.8	9.7	ø6.3	ø14.4	200



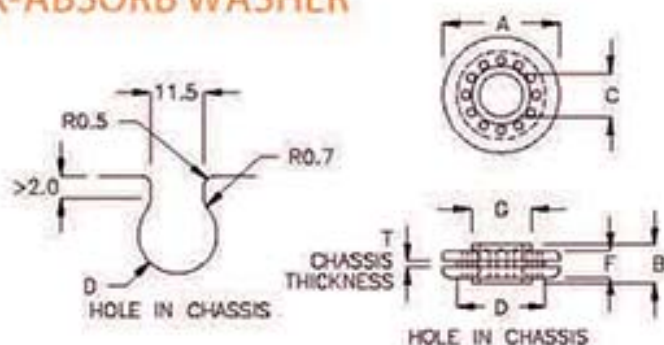
8-51-2



防震華司 SHOCK-ABSORB WASHER

MATERIAL: TPE
COLOR: BLACK

PART NO	A	B	C	F	G	D	T	PACKAGE
GSA-1A	ø16.5	5.45	ø6.2	3.85	ø8.4	ø12.5	0.85	500
GSA-2A	ø16.5	6.5	ø6.6	4.9	ø9.0	ø12.5	1.6	



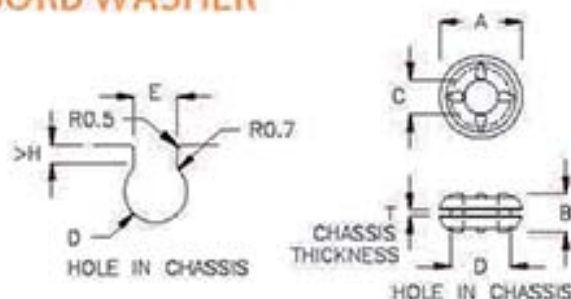
8-51-3



防震華司 SHOCK-ABSORB WASHER

MATERIAL: TPE
COLOR: BLACK

PART NO	A	B	C	D	E	H	T	PACKAGE
GSA-03	ø11.2	5.3	ø4.6	ø8.0	5.2	3.0	0.8	2000

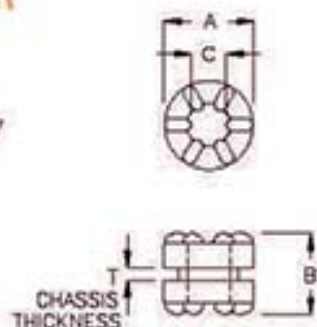
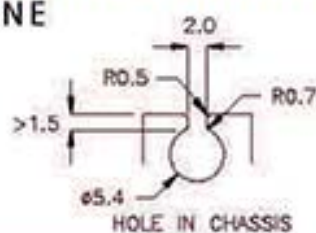


8-52-1



防震華司 SHOCK-ABSORB WASHER

MATERIAL: SILICONE
COLOR: BLACK



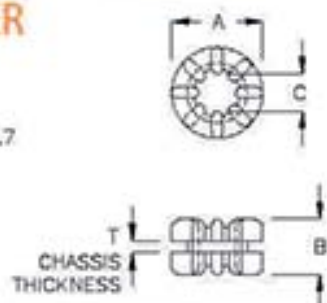
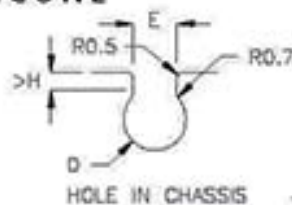
PART NO	A	B	C	T CHASSIS THICKNESS	PACKAGE
GSA-08	ø8.6	7.8	ø3.3	0.6~1.0	2000

8-52-2



防震華司 SHOCK-ABSORB WASHER

MATERIAL: TPE, SILICONE
COLOR: BLACK



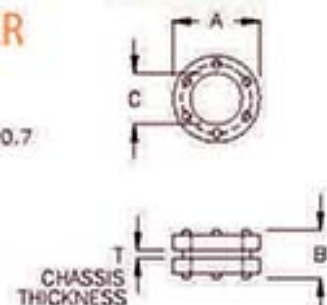
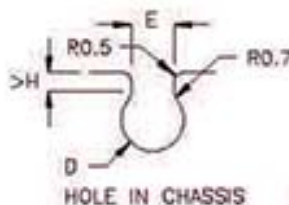
PART NO	MATERIAL	A	B	C	D	E	H	T CHASSIS THICKNESS	PACKAGE
GSA-7A	TPE	ø7.2	5.1	ø4.2	ø6.0	5.0	1.5	0.8	1000
GSA-8LM	TPE	ø7.8	4.5	ø4.0	ø5.8	4.2	1.5	1.0	2000
GSA-8DT	TPE	ø8.6	7.8	ø3.3	ø5.4	3.5	1.5	0.6~1.0	1000
GSA-010	TPE	ø9.6	5.8	ø3.9	ø6.3	5.0	1.8	1.2	
GSA-09	TPE	ø9.6	7.6	ø4.0	ø6.4	5.0	1.8	3.2	
GSA-9KP	TPE	ø9.6	4.6	ø4.3	ø6.5	5.0	1.9	1.0	
GSA-9SQ	TPE	ø9.6	5.8	ø3.9	ø6.3	5.0	4.5	0.8	
GSA-10A	TPE	ø9.6	5.8	ø3.9	ø6.3	5.0	4.5	1.0	
GSA-04	SILICONE	ø14.3	7.95	ø5.0	ø9.5	7.5	3.0	1.0	
GSA-14	TPE	ø14.3	8.2	ø4.7	ø9.5	7.5	3.0	1.6	
GSA-14A	TPE	ø14.3	9.5	ø5.6	ø9.5	7.5	3.0	3.2	

8-52-3



防震華司 SHOCK-ABSORB WASHER

MATERIAL: TPE
COLOR: BLACK

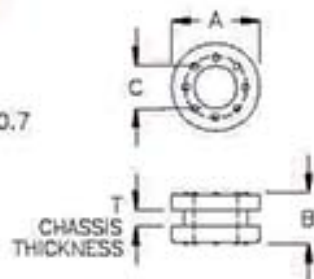
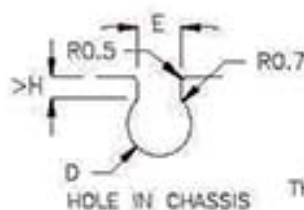


PART NO	A	B	C	D	E	H	T CHASSIS THICKNESS	PACKAGE
GSM-9F	ø9.5	5.4	ø5.6	ø7.5	6.1	1.8	1.0	1000



防震華司 SHOCK-ABSORB WASHER

MATERIAL: TPE
COLOR: BLACK

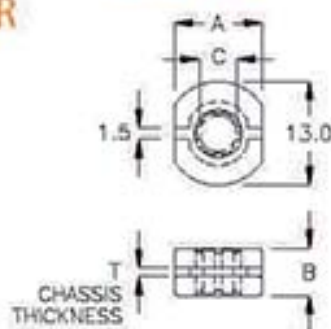
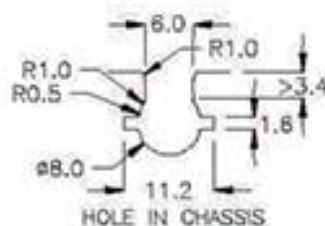


PART NO	A	B	C	D	E	H	T CHASSIS THICKNESS	PACKAGE
GSM-11K	φ11.5	6.8	φ5.6	φ8.4	7.0	2.8	2.0	500



防震華司 SHOCK-ABSORB WASHER

MATERIAL: TPE
COLOR: BLACK

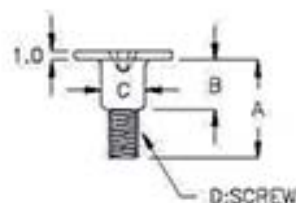
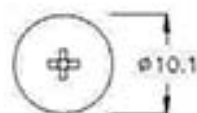


PART NO	A	B	C	T CHASSIS THICKNESS	PACKAGE
GSB-13K	11.0	5.9	φ4.6	1.0	1000



防震華司用螺絲 SCREW

MATERIAL: STEEL PLATING NI
COLOR: SILVER
D: SCREW



PART NO	A	B	C	D	PACKAGE
SWA-05	9.8	5.0	φ4.4	M3	2000
SWA-5DA	9.8	5.0	φ4.4	#6-32	
SWA-5F	11.0	5.0	φ4.4	M3	

ASSEMBLE WITH P.G PART GSA-010 (Page 8-52-2)

8-54-1

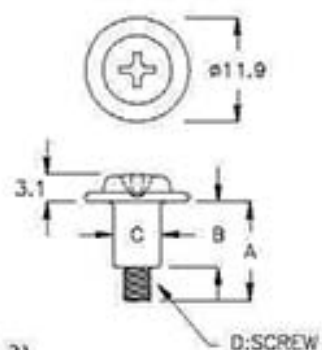


防震華司用螺絲 SCREW

MATERIAL: STEEL PLATING NI
 COLOR: SILVER
 D: SCREW

PART NO	A	B	C	D	PACKAGE
SWA-7A	11.3	7.5	ø5.4	M3	1000

ASSEMBLE WITH P.G PART GSA-04 (Page 8-52-2)



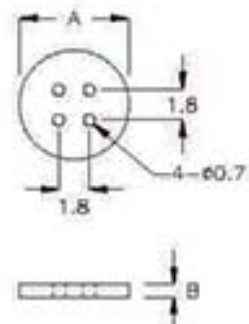
8-54-2



電晶體墊片 TRANSISTOR WASHER

MATERIAL: NYLON 66(UL)
 FLAME CLASS: 94V-2
 COLOR: NATURAL

PART NO	A	B	PACKAGE
TRC-201	ø6.5	0.75	2000



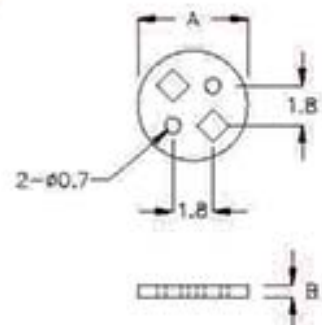
8-54-3



電晶體墊片 TRANSISTOR WASHER

MATERIAL: NYLON 66(UL)
 FLAME CLASS: 94V-2
 COLOR: NATURAL

PART NO	A	B	PACKAGE
TRC-202	ø5.0	0.75	2000



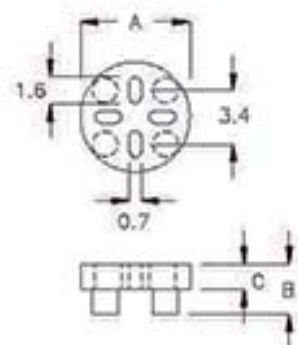
8-54-4



電晶體墊片 TRANSISTOR WASHER

MATERIAL: NYLON 66(UL)
 FLAME CLASS: 94V-2
 COLOR: NATURAL

PART NO	A	B	C	PACKAGE
TRC-301	ø6.5	3.0	1.5	2000
TRC-301M	ø6.5	1.6	1.0	



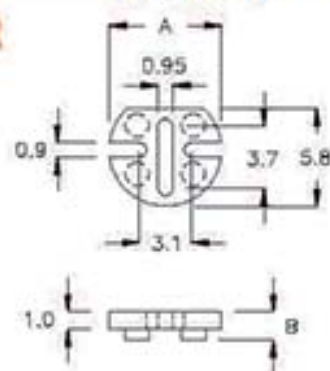
8-55-1



電晶體墊片 TRANSISTOR WASHER

MATERIAL: NYLON 66(UL)
FLAME CLASS: 94V-2
COLOR: NATURAL

PART NO.	A	B	PACKAGE
TRC-301S	ø6.5	1.7	2000



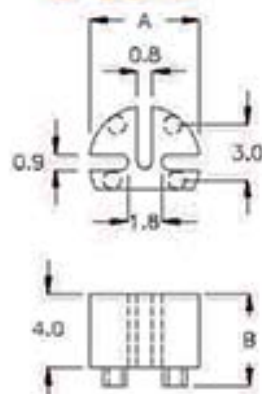
8-55-2



電晶體墊片 TRANSISTOR WASHER

MATERIAL: NYLON 66(UL)
FLAME CLASS: 94V-2
COLOR: BLACK

PART NO.	A	B	PACKAGE
TRC-302	ø6.0	5.0	2000



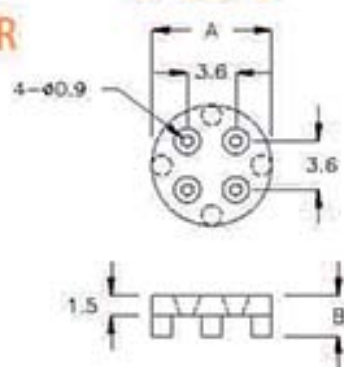
8-55-3



電晶體墊片 TRANSISTOR WASHER

MATERIAL: NYLON 66(UL)
FLAME CLASS: 94V-2
COLOR: NATURAL

PART NO.	A	B	PACKAGE
TRC-501	ø8.9	3.0	2000
TRC-501A	ø8.9	4.5	



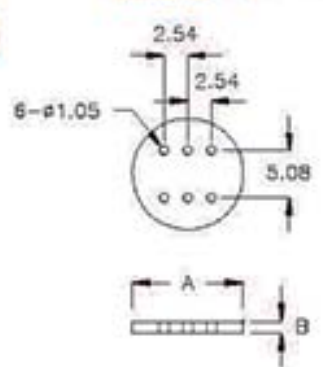
8-55-4



電晶體墊片 TRANSISTOR WASHER

MATERIAL: NYLON 66(UL)
FLAME CLASS: 94V-2
COLOR: NATURAL

PART NO.	A	B	PACKAGE
TRC-601	ø12.0	1.2	2000



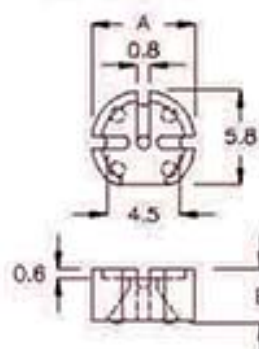
8-56-1



電晶體墊片 TRANSISTOR WASHER

MATERIAL: PBT(UL)
FLAME CLASS: 94V-0
COLOR: BLACK

PART NO	A	B	PACKAGE
TRA-3A	ø6.4	3.4	2000



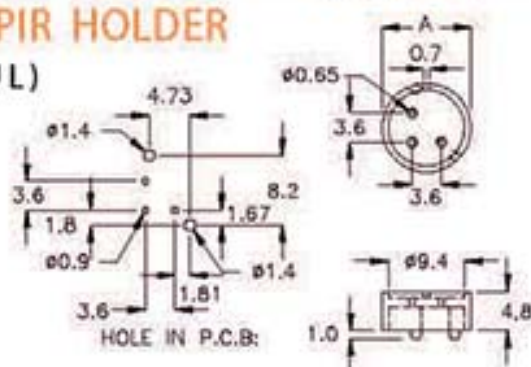
8-56-2



熱釋電紅外線感測器座 PIR HOLDER

MATERIAL: NYLON 66(UL)
FLAME CLASS: 94V-2
COLOR: BLACK

PART NO	A	PACKAGE
TQJ-04	ø11.0	500



8-56-3

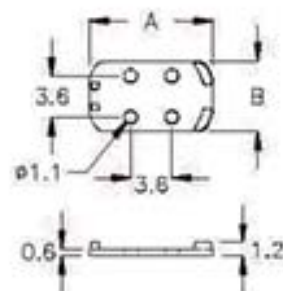


熱釋電紅外線感測器座 PIR HOLDER

MATERIAL: PPS(UL)
FLAME CLASS: 94V-0
COLOR: BLACK



PART NO	A	B	PACKAGE
★ TQP-10C	10.7	6.15	2000



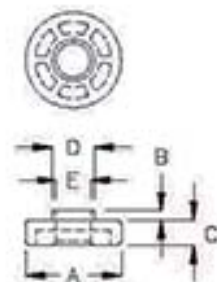
8-56-4



華司 WASHER

MATERIAL: NYLON 66(UL)
FLAME CLASS: 94V-2
COLOR: NATURAL

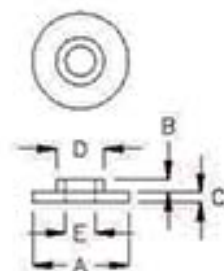
PART NO	A	B	C	D	E	PACKAGE
WSG-6C	ø12.0	1.2	3.1	ø5.3	ø4.3	2000





華司 WASHER

MATERIAL: NYLON 66(UL)
 FLAME CLASS: 94V-2
 COLOR: NATURAL, BLACK
 MATERIAL: POM, TPE
 COLOR: NATURAL, BLACK

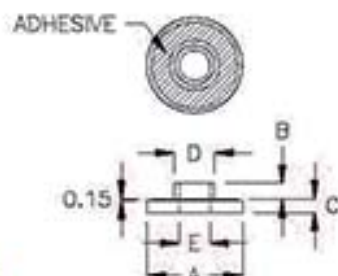


PART NO	MATERIAL	COLOR	A	B	C	D	E	PACKAGE
WSG-04	N66	NATURAL	φ5.6	0.6	0.8	φ3.85	φ2.9	2000
WSG-9Q	N66	NATURAL	φ7.2	0.7	1.0	φ5.2	φ3.2	
WSG-9C	POM	NATURAL	φ9.0	1.5	1.0	φ6.3	φ4.5	
WSG-01	N66	NATURAL	φ10.0	1.8	1.0	φ5.0	φ3.1	
WSG-02	TPE	BLACK	φ10.0	1.8	1.0	φ5.5	φ4.0	
WSG-10BD	N66	BLACK	φ10.0	2.0	1.2	φ7.0	φ4.3	1000
WSG-11B	N66	NATURAL	φ10.9	2.3	1.3	φ6.8	φ2.95	2000
WSG-06	N66	NATURAL	φ12.0	3.0	3.2	φ6.2	φ3.0	
WSG-6A	N66	NATURAL	φ12.0	3.0	1.4	φ8.0	φ3.0	
WSG-05	N66	NATURAL	φ12.85	0.8	1.6	φ9.5	φ6.4	
WSG-07	N66	NATURAL	φ13.0	5.0	1.5	φ8.2	φ3.0	
WSG-10M	N66	NATURAL	φ13.0	2.4	1.7	φ7.9	φ6.6	



華司 WASHER

MATERIAL: PPO(UL)
 FLAME CLASS: 94V-1
 COLOR: GRAY
 ADHESIVE TAPE: 3M

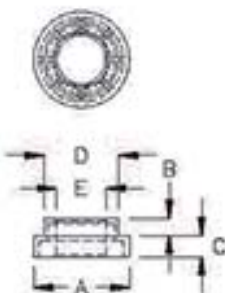


PART NO	A	B	C	D	E	PACKAGE
WS1-20F	φ20.0	3.35	2.65	φ8.4	φ6.4	1000



華司 WASHER

MATERIAL: NYLON 66(UL)
 FLAME CLASS: 94V-2
 COLOR: BLACK



PART NO	A	B	C	D	E	PACKAGE
★ WSGB-20A	φ20.0	3.5	4.5	φ15.8	φ10.2	1000

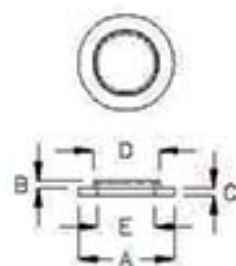
8-58-1



華司 WASHER

MATERIAL: NYLON 66(UL)
FLAME CLASS: 94V-2
COLOR: NATURAL

PART NO	A	B	C	D	E	PACKAGE
WSG-03	φ16.0	1.0	0.85	φ11.0	φ9.7	2000



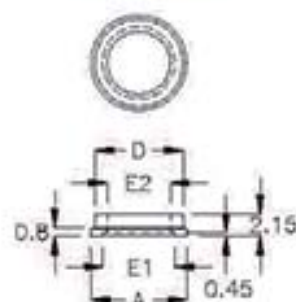
8-58-2



華司 WASHER

MATERIAL: POM(UL)
FLAME CLASS: 94HB
COLOR: NATURAL

PART NO	A	D	E1	E2	PACKAGE
WSG-6F	φ12.55	φ11.5	φ9.3	φ8.1	2000
WSG-8A	φ12.35	φ11.4	φ9.35	φ8.15	



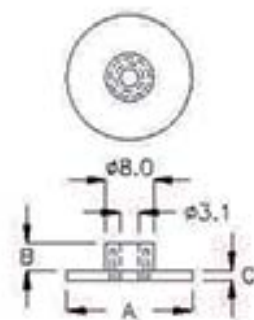
8-58-3



電晶體墊片 TRANSISTOR WASHER

MATERIAL: NYLON 66(UL)
FLAME CLASS: 94V-2
COLOR: NATURAL

PART NO	A	B	G	PACKAGE
821	φ21.0	4.6	1.6	500



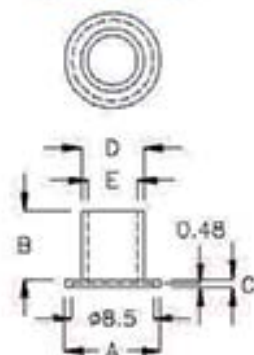
8-58-4



華司 WASHER

MATERIAL: NYLON 66(UL)
FLAME CLASS: 94V-2
COLOR: NATURAL

PART NO	A	B	G	E	PACKAGE	
WWA-01	φ10.0	7.1	0.9	φ6.6	φ5.2	1000



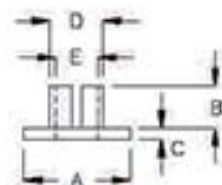
8-59-1



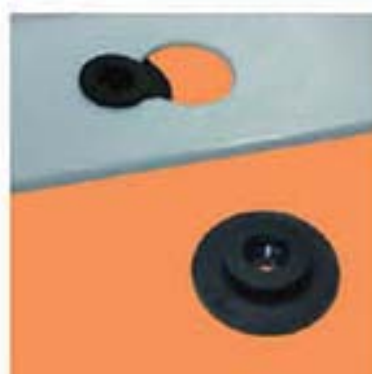
華司 WASHER

MATERIAL: NYLON 66(UL)
FLAME CLASS: 94V-2
COLOR: NATURAL, BLACK

PART NO.	A	B	C	D	E	PACKAGE
WSE-01	φ10.0	4.0	1.0	φ5.0	φ4.0	2000
WSE-02	φ15.8	3.8	1.5	φ8.6	φ6.5	
WSE-03	φ15.9	4.3	1.0	φ8.6	φ6.5	



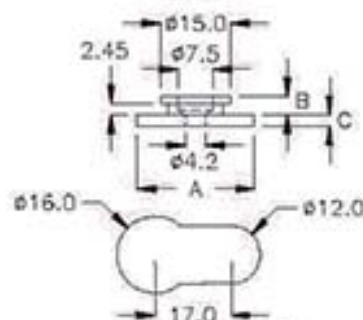
8-59-2



華司 WASHER

MATERIAL: NYLON 66(UL)
FLAME CLASS: 94V-2
COLOR: BLACK

PART NO.	A	B	C	PACKAGE
WSNA-25K	φ25.3	3.95	2.5	500



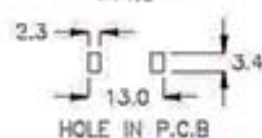
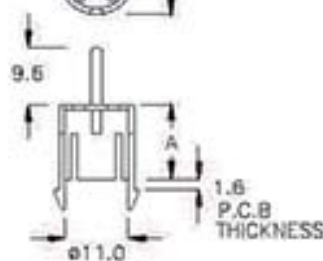
8-59-3



電感保護罩 INSULATED CAP

MATERIAL: NYLON 66(UL)
FLAME CLASS: 94V-2
COLOR: BLACK

PART NO.	A	H	PACKAGE
CAP-01	13.0	φ13.0	500



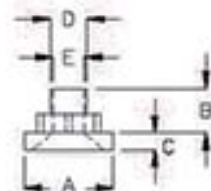
8-59-4



電晶體墊片 TRANSISTOR WASHER

MATERIAL: NYLON 66(UL)
FLAME CLASS: 94V-0
COLOR: NATURAL

PART NO.	A	B	C	D	E	PACKAGE
60M-16	φ8.5	4.35	1.6	φ3.5	φ3.0	2000



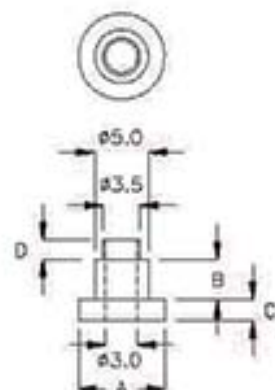
8-60-1



電晶體墊片 TRANSISTOR WASHER

MATERIAL: NYLON 66(UL)
FLAME CLASS: 94V-2
COLOR: NATURAL

PART NO	A	B	C	D	PACKAGE
807	ø8.0	3.7	2.0	1.8	2000
807S	ø8.0	2.9	2.0	1.8	



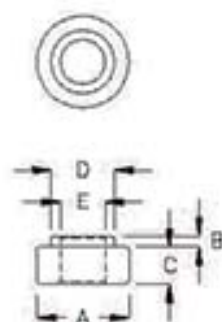
8-60-2



電晶體墊片 TRANSISTOR WASHER

MATERIAL: PPS(UL)
FLAME CLASS: 94V-0
COLOR: BLACK

PART NO	A	B	C	D	E	PACKAGE
40M-2H	ø4.2	0.5	1.7	ø2.9	ø2.05	2000



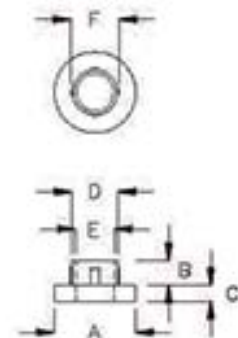
8-60-3



電晶體墊片 TRANSISTOR WASHER

MATERIAL: PPS(UL)
FLAME CLASS: 94V-0
COLOR: BLACK

PART NO	A	B	C	D	E	F	PACKAGE
60T-12	ø6.4	2.0	1.2	3.7	3.0	3.76	2000
60T-20	ø6.4	2.0	1.2	3.6	3.0	3.86	



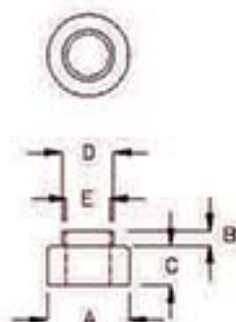
8-61-1



電晶體墊片 TRANSISTOR WASHER

MATERIAL: NYLON 46(UL)
FLAME CLASS: 94V-0
COLOR: BLACK

PART NO	A	B	C	D	E	PACKAGE
60K-29	φ6.0	1.1	2.9	φ3.8	φ3.2	2000
60K-28C	φ6.0	1.0	2.8	φ3.8	φ3.2	
602-46-1	φ6.1	1.6	1.4	φ3.5	φ3.0	



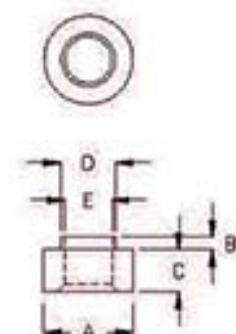
8-61-2



電晶體墊片 TRANSISTOR WASHER

MATERIAL: NYLON 66(UL)
FLAME CLASS: 94V-0
COLOR: NATURAL

PART NO	A	B	C	D	E	PACKAGE
603FX	φ6.0	0.8	2.8	φ3.6	φ3.1	2000



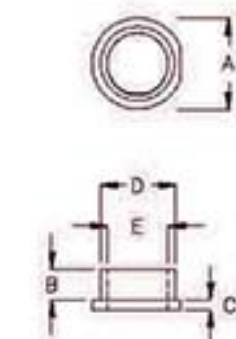
8-61-3



電晶體墊片 TRANSISTOR WASHER

MATERIAL: PPS(UL)
FLAME CLASS: 94V-0
COLOR: BLACK

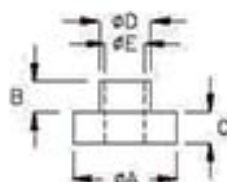
PART NO	A	B	C	D	E	PACKAGE
603QT	φ4.4	1.5	0.5	φ3.55	φ2.95	2000





電晶體墊片 TRANSISTOR WASHER

MATERIAL: NYLON 66(UL)
FLAME CLASS: 94V-2
COLOR: NATURAL
OPTIONAL MATERIAL:
NYLON 46(UL), PPS(UL)
OPTIONAL FLAME CLASS: 94V-0



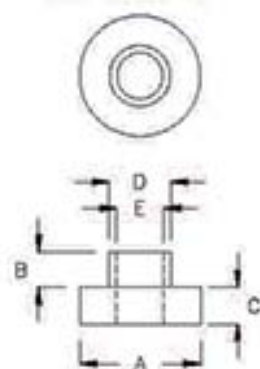
PART NO	A	B	C	D	E	PACKAGE
601	4.6	2.4	1.2	3.0	2.3	2000
601A	3.6	2.8	1.0	3.0	1.8	
601C	3.6	2.8	1.0	3.0	2.0	
601D	6.0	4.5	1.0	3.05	2.5	
601F	8.0	3.9	0.5	6.0	3.5	
601H	6.0	4.0	1.5	3.0	2.5	
601J	6.0	0.9	2.5	3.0	2.2	
601M	5.0	1.7	1.0	3.0	2.2	
601O	5.5	2.15	1.05	3.65	2.55	
601R	5.7	1.75	0.95	3.55	2.95	
601S	5.4	0.8	1.0	3.4	2.90	
601W	5.0	1.0	0.8	3.0	2.0	
602	6.0	1.6	1.3	3.55	2.95	
602K	6.1	1.4	1.5	3.55	2.95	
602KD	6.2	0.6	1.2	3.55	2.95	
602L	6.0	1.5	1.5	3.6	3.0	
602M	6.1	1.5	1.2	3.55	2.95	
602MS	6.1	1.4	1.2	3.55	2.95	
602S	6.0	1.2	1.3	3.55	2.95	
602W	6.2	2.4	1.9	3.55	3.0	
602Y	6.0	1.6	1.3	3.55	3.0	
602YH	5.0	1.6	1.3	3.5	3.0	
603	6.1	2.2	1.9	3.55	2.95	
603A	6.2	2.9	1.9	3.6	2.95	
603AG	6.1	0.8	2.0	3.55	2.95	
603D	6.0	2.5	1.2	3.5	2.7	
603GK	4.7	3.25	0.7	3.55	3.0	
603K	6.1	2.0	1.4	3.55	2.95	
603L	6.0	2.0	2.0	3.55	2.95	
603M	6.0	2.3	1.8	3.55	2.95	
603MK	6.2	2.4	1.9	3.5	3.0	
603NJ	5.0	2.0	1.9	3.5	3.0	

PART NO	A	B	C	D	E	PACKAGE
603P	6.0	2.3	1.8	3.55	3.0	2000
603QH	5.0	2.4	1.9	3.5	3.0	
603S	6.1	1.5	2.0	3.55	2.95	
603T	7.0	2.4	1.3	3.55	3.0	
603U	6.2	3.0	1.8	3.55	3.0	
603W	6.1	1.5	2.0	3.55	2.95	
603Y	6.1	2.25	2.0	3.55	2.95	
604	6.0	3.2	2.0	3.55	2.95	
604C	6.2	3.6	1.2	3.55	2.95	
604HQ	6.2	3.1	1.5	3.5	2.95	
604K	6.2	3.1	1.0	3.55	2.95	
604L	6.4	2.0	1.3	3.55	2.95	
604M	6.3	2.6	2.0	3.55	2.95	
604P	6.0	2.54	2.0	3.50	2.88	
604PH	5.0	2.4	1.9	3.1	2.5	
604S	6.0	3.1	1.5	3.55	2.95	
604V	6.2	3.1	1.5	3.55	2.95	
605	8.0	5.7	1.2	3.5	2.95	
605A	6.0	5.7	1.2	3.5	2.95	
605AF	6.3	1.5	2.5	3.9	3.2	
605F	12.0	5.7	2.7	3.95	2.95	
605K	10.0	5.7	2.2	3.95	2.95	
605MF	6.35	2.07	1.02	4.3	3.08	
605N	6.4	2.0	1.2	3.50	3.0	
605S	7.9	1.5	1.0	3.6	3.0	
605T	6.4	3.0	1.5	3.5	3.0	
605U	6.0	1.5	0.5	3.6	3.0	
605W	6.35	2.05	1.0	4.1	3.15	
606	6.5	1.7	3.0	4.25	3.2	
606A	8.0	6.3	1.2	3.55	2.90	
606S	6.5	1.7	2.5	4.15	3.2	
608L	6.0	7.7	1.0	3.55	2.95	



電晶體墊片 TRANSISTOR WASHER

MATERIAL: NYLON 66(UL)
 FLAME CLASS: 94V-2
 COLOR: NATURAL
 OTHER MATERIAL: NYLON 46(UL)
 OPTIONAL FLAME CLASS: 94V-0
 808 MATERIAL: PBT(UL)
 706A MATERIAL: PPS(UL)



PART NO.	PA	B	C	ED	EC	PACKAGE
701	7.0	4.4	2.0	3.55	2.95	2000
702A	7.1	0.8	1.2	3.68	3.0	
703	7.0	2.5	2.0	5.0	2.95	
704	7.0	5.8	2.0	5.0	3.0	
704A	7.0	3.0	1.0	5.0	4.0	
705	7.0	4.0	1.0	5.0	4.0	
706A	7.0	2.5	1.0	3.5	3.1	
706C	7.0	1.65	1.05	4.5	2.35	
706D	7.0	1.65	0.8	4.5	2.35	
801	8.1	0.8	1.0	4.9	3.1	
801A	8.0	0.9	2.0	4.4	3.2	
801C	8.0	0.9	2.0	4.65	4.0	
802	8.0	2.5	2.0	3.7	2.95	
803	8.1	2.7	1.2	3.90	3.0	
803A	8.0	2.4	1.3	3.55	2.95	
803K	11.8	1.9	0.5	6.0	4.0	
804	8.0	3.0	3.2	4.65	3.1	
804A	8.0	5.1	1.0	4.55	3.65	
804C	8.0	0.9	3.2	4.65	3.1	
805	7.8	3.65	1.2	5.9	3.1	
805A	7.9	2.5	1.2	5.9	3.2	
805B	8.1	6.65	1.25	6.0	3.1	
805C	8.0	1.2	4.0	3.5	3.0	

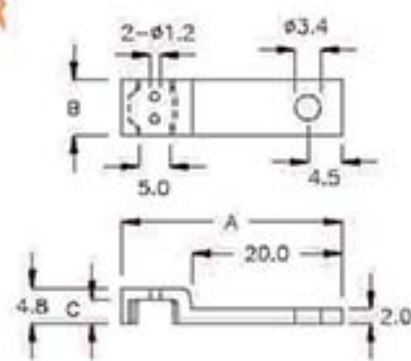
PART NO.	PA	B	C	ED	EC	PACKAGE
806	8.0	1.9	1.45	3.9	3.2	2000
806F	8.0	2.7	1.3	3.5	2.5	
806H	8.0	2.7	1.3	3.05	2.5	
807B	9.0	3.75	2.0	6.0	3.0	
808	9.6	0.65	1.55	6.0	3.65	
808A	9.5	1.2	2.0	6.2	3.8	
808D	9.5	1.55	0.8	4.95	4.35	
808F	8.8	2.0	0.8	5.0	4.1	
809	10.0	4.0	1.0	5.0	4.0	
809A	10.0	3.0	1.0	5.0	4.0	
811	10.8	3.8	2.0	7.9	5.3	1000
811A	10.8	7.25	1.1	5.0	4.0	
812	11.8	2.0	2.0	5.9	3.0	
812A	12.3	9.0	1.1	5.3	4.5	
812C	11.8	2.0	1.2	5.9	3.0	2000
812D	12.7	1.6	1.6	7.96	3.58	
812L	11.9	3.0	2.6	7.9	4.0	500
813K	11.0	3.5	1.5	6.9	4.3	
814	14.0	18.9	1.3	6.6	5.1	
815	15.9	1.65	2.0	5.9	3.1	
817A	15.0	13.0	2.0	9.9	8.1	
901	19.2	1.6	3.25	12.7	9.5	



電晶體蓋 TRANSISTOR COVER

MATERIAL: PBT(UL)
 FLAME CLASS: 94V-0
 COLOR: NATURAL

PART NO.	A	B	C	PACKAGE
HU-19	29.5	7.5	3.3	1000



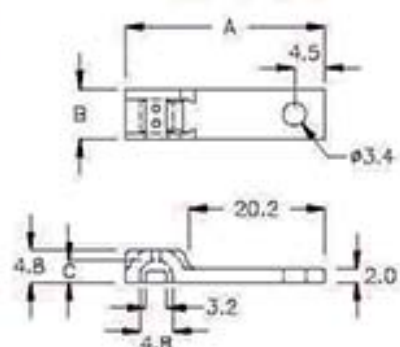
8-64-1



電晶體蓋 TRANSISTOR COVER

MATERIAL: PBT(UL)
FLAME CLASS: 94V-0
COLOR: NATURAL

PART NO.	A	B	C	PACKAGE
HU-19A	29.5	7.5	3.3	1000



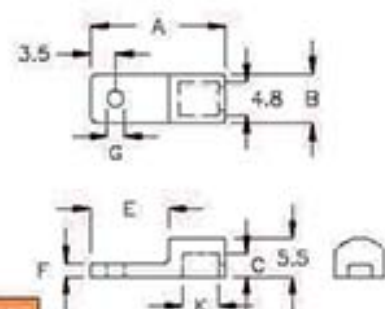
8-64-2



電晶體蓋 TRANSISTOR COVER

MATERIAL: PBT(UL)
FLAME CLASS: 94V-0
COLOR: NATURAL

PART NO.	A	B	C	E	F	G	H	PACKAGE
HUK-D1	19.0	7.0	3.4	11.0	2.0	2.4	5.0	1000
HUK-2A	15.0	7.0	3.6	7.0	2.0	3.2	5.5	



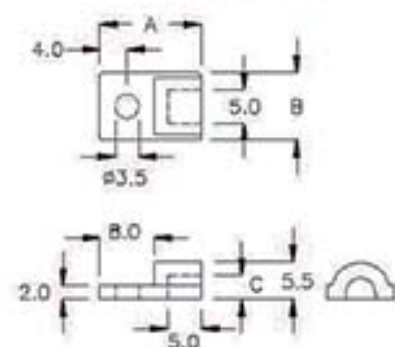
8-64-3



電晶體蓋 TRANSISTOR COVER

MATERIAL: PBT(UL)
FLAME CLASS: 94V-0
COLOR: NATURAL

PART NO.	A	B	C	PACKAGE
HUK-7Y	15.0	10.0	3.3	1000



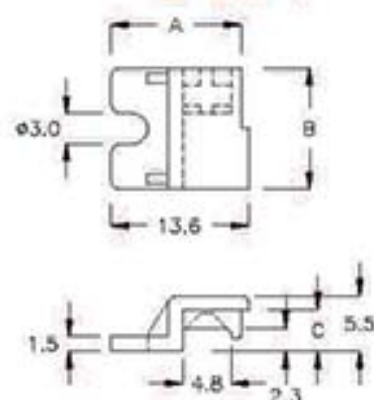
8-64-4



電晶體蓋 TRANSISTOR COVER

MATERIAL: PBT(UL)
FLAME CLASS: 94V-0
COLOR: NATURAL

PART NO.	A	B	C	PACKAGE
HU-07T	12.9	12.0	4.1	1000

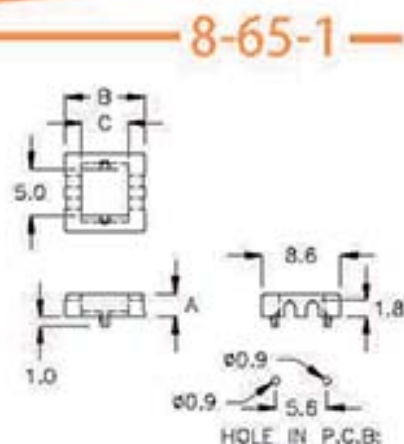


光電耦合器保護蓋 OPTICAL COUPLER COVER



MATERIAL: PC(UL)
FLAME CLASS: 94V-2
COLOR: BLACK

PART NO	A	B	C	PACKAGE
HUJ-01	2.5	8.6	5.0	2000
HUJ-1FD	3.0	8.6	5.0	
HUJ-2MK	2.5	11.6	8.0	



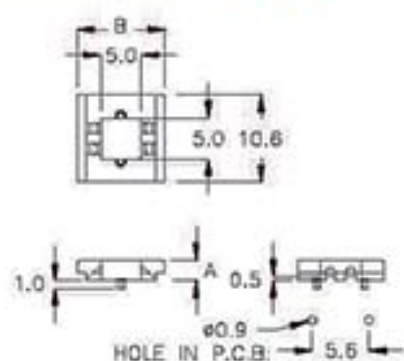
8-65-2

光電耦合器保護蓋 OPTICAL COUPLER COVER



MATERIAL: PC(UL)
FLAME CLASS: 94V-2
COLOR: BLACK

PART NO	A	B	PACKAGE
HUJ-3RS	2.5	10.6	1000



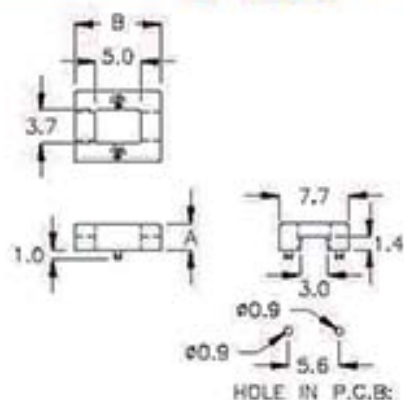
8-65-3

光電耦合器保護蓋 OPTICAL COUPLER COVER



MATERIAL: PC(UL)
FLAME CLASS: 94V-2
COLOR: BLACK

PART NO	A	B	PACKAGE
HUJ-2A	2.4	9.4	2000
HUJ-2XY	2.9	9.4	



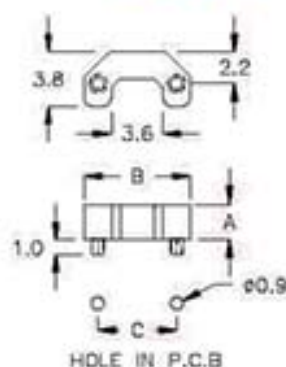
8-65-4

IC保護蓋 IC COVER



MATERIAL: PC(UL)
FLAME CLASS: 94V-2
COLOR: BLACK

PART NO	A	B	C	PACKAGE
MPT-7PN	2.5	7.4	5.5	2000



8-66-1

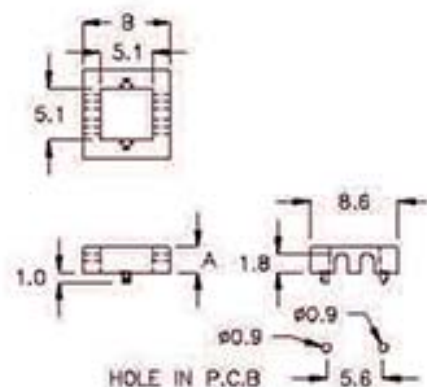
光電耦合器保護蓋 OPTICAL COUPLER COVER



MATERIAL: PC(UL)
FLAME CLASS: 94V-2
COLOR: BLACK



PART NO.	A	B	PACKAGE
HJA-2D	2.5	8.6	2000



8-66-2

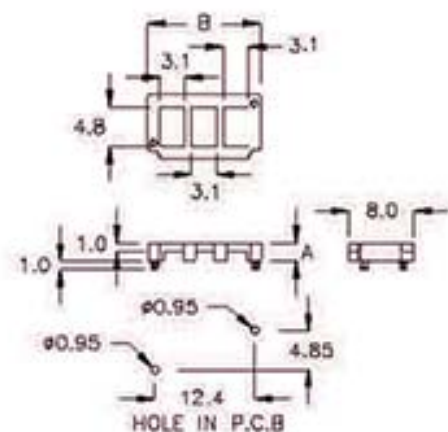
IC保護蓋 IC COVER



MATERIAL: PC(UL)
FLAME CLASS: 94V-2
COLOR: BLACK



PART NO.	A	B	PACKAGE
HJW-4HN	2.2	13.9	1000



8-66-3

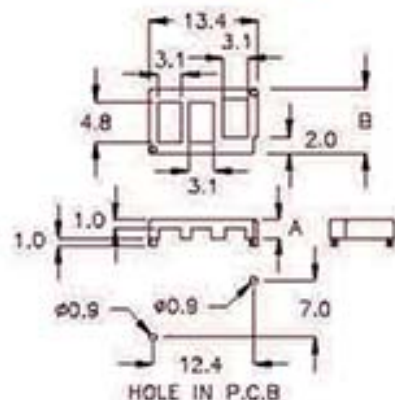
IC保護蓋 IC COVER



MATERIAL: PC(UL)
FLAME CLASS: 94V-2
COLOR: BLACK



PART NO.	A	B	PACKAGE
HJW-4QM	2.2	8.0	1000



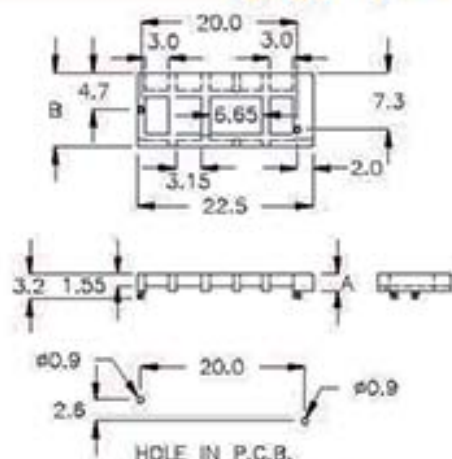
8-67-1



IC保護蓋 IC COVER

MATERIAL: PC(UL)
FLAME CLASS: 94V-2
COLOR: BLACK

PART NO.	A	B	PACKAGE
HUJ-4CR	2.2	9.5	1000



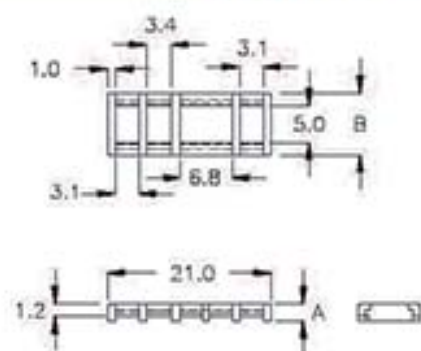
8-67-2



IC保護蓋 IC COVER

MATERIAL: NYLON 66(UL)
FLAME CLASS: 94V-2
COLOR: BLACK

PART NO.	A	B	PACKAGE
HUT-2CD	2.2	8.2	1000



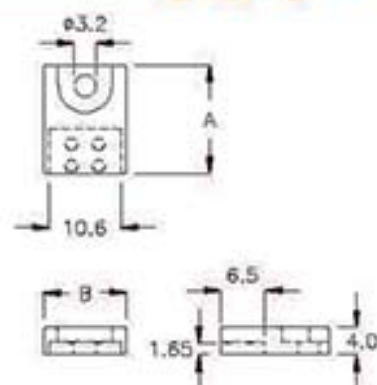
8-67-3



IC保護蓋 IC COVER

MATERIAL: NYLON 66(UL)
FLAME CLASS: 94V-2
COLOR: NATURAL

PART NO.	A	B	PACKAGE
ICC-16	16.0	12.2	1000



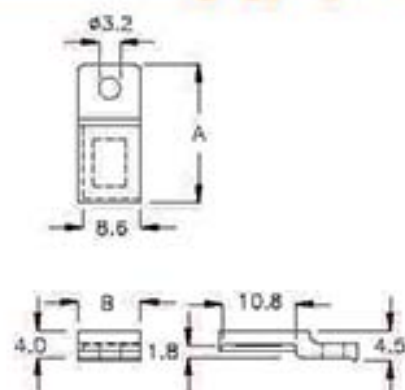
8-67-4



IC保護蓋 IC COVER

MATERIAL: NYLON 66(UL)
FLAME CLASS: 94V-2
COLOR: NATURAL

PART NO.	A	B	PACKAGE
ICA-20A	20.4	9.3	500



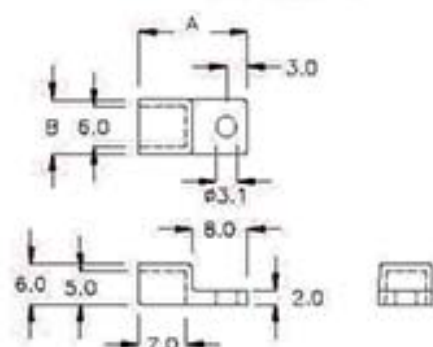
8-68-1



IC保護蓋 IC COVER

MATERIAL: NYLON 66(UL)
FLAME CLASS: 94V-2
COLOR: BLACK

PART NO	A	B	PACKAGE
HUQ-1B	16.0	8.0	500



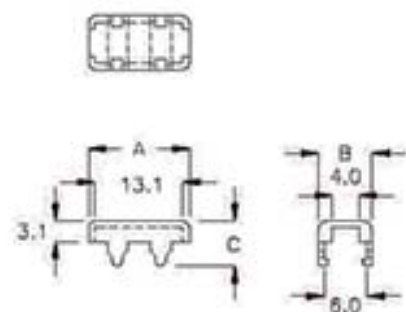
8-68-2



保護蓋 HOLE PROTECTOR

MATERIAL: NYLON 66(UL)
FLAME CLASS: 94V-0
COLOR: NATURAL

PART NO	A	B	D	PACKAGE
MPR-06	15.1	8.0	6.8	1000



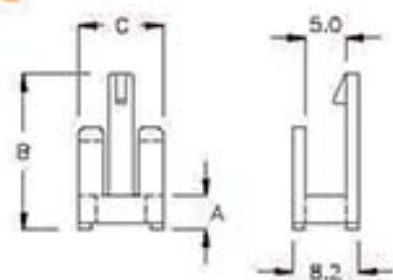
8-68-3



電晶體座 TRANSISTOR HOUSING

MATERIAL: NYLON 66(UL)
FLAME CLASS: 94V-2
COLOR: BLACK
FOR TO-220 TRANSISTOR

PART NO	A	B	C	PACKAGE
TRR-4A	4.1	19.2	10.3	1000



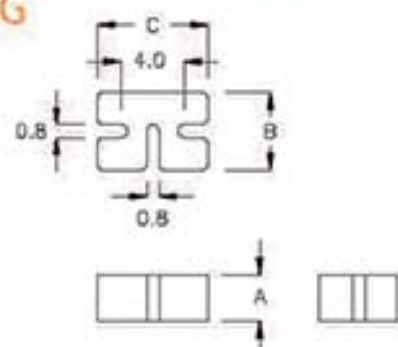
8-68-4



電晶體座 TRANSISTOR HOUSING

MATERIAL: NYLON 66(UL)
FLAME CLASS: 94V-2
COLOR: BLACK

PART NO	A	B	C	PACKAGE
TR-01A	3.0	5.0	7.0	2000



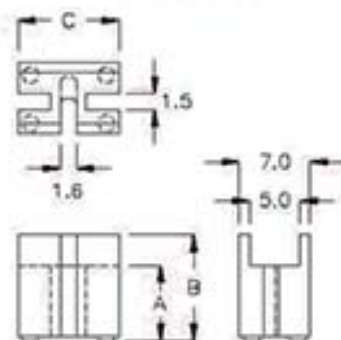
8-69-1



電晶體座 TRANSISTOR HOUSING

MATERIAL: NYLON 66(UL)
FLAME CLASS: 94V-2
COLOR: BLACK
FOR TO-220 TRANSISTOR

PART NO	A	B	C	PACKAGE
TR-01	7.6	10.5	10.0	1000



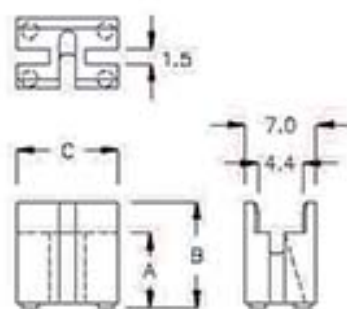
8-69-2



電晶體座 TRANSISTOR HOUSING

MATERIAL: NYLON 66(UL)
FLAME CLASS: 94V-2
COLOR: BLACK
FOR TO-220 TRANSISTOR

PART NO	A	B	C	PACKAGE
TR-01C	7.5	10.5	10.0	1000



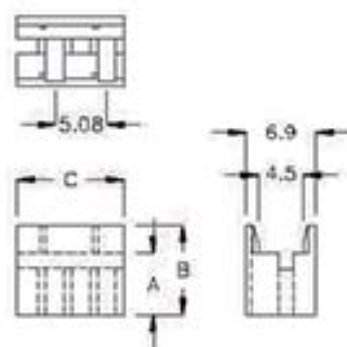
8-69-3



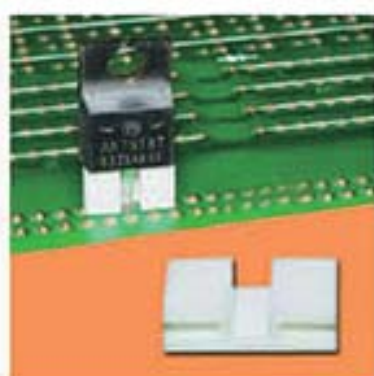
電晶體座 TRANSISTOR HOUSING

MATERIAL: NYLON 66(UL)
FLAME CLASS: 94V-2
COLOR: BLACK

PART NO	A	B	C	PACKAGE
TR-01D	6.1	9.0	10.5	1000



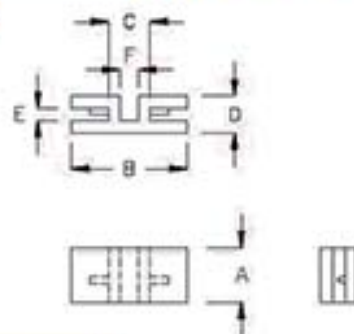
8-69-4



電晶體座 TRANSISTOR HOUSING

MATERIAL: PBT,NYLON 66(UL)
COLOR: NATURAL
FOR TO-220 TRANSISTOR
*FOR TO-247 TRANSISTOR

PART NO	MATERIAL	A	B	C	D	E	F	PACKAGE
TR-01H	PBT VO	4.5	9.5	3.4	3.0	1.0	1.6	2000
*TR-1MK	N66 V2	8.0	14.7	7.0	4.0	1.2	3.6	



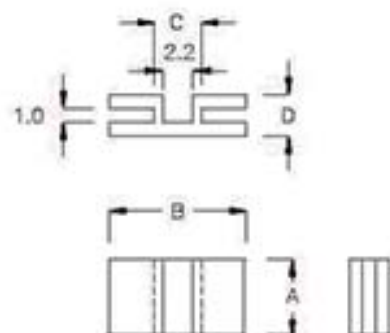
8-70-1

電晶體座 TRANSISTOR HOUSING



MATERIAL: PBT(UL)
FLAME CLASS: 94V-0
COLOR: NATURAL

PART NO	A	B	C	D	PACKAGE
TR-01F	5.5	10.0	3.4	3.0	2000



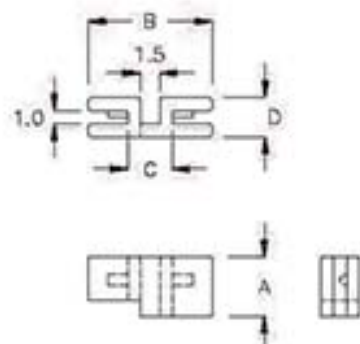
8-70-2

電晶體座 TRANSISTOR HOUSING



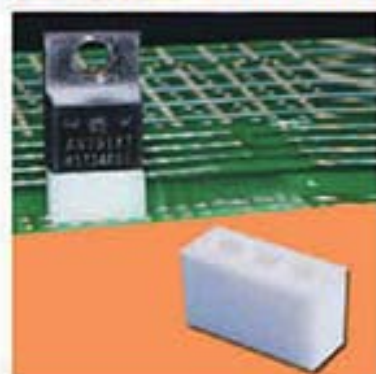
MATERIAL: PBT(UL)
FLAME CLASS: 94V-0
COLOR: NATURAL

PART NO	A	B	C	D	PACKAGE
TR-1YQ	4.5	9.45	3.4	3.0	2000



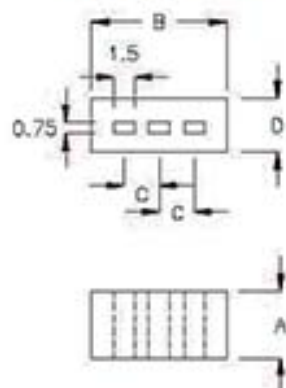
8-70-3

電晶體座 TRANSISTOR HOUSING



MATERIAL: NYLON 66(UL)
FLAME CLASS: 94V-2
COLOR: NATURAL
FOR TO-220 TRANSISTOR
*FOR TO-3P TRANSISTOR

PART NO	A	B	C	D	PACKAGE
TR-02	5.0	10.0	2.6	4.0	2000
*TR-02A	5.0	15.0	5.75	4.0	
TR-02C	3.7	10.0	2.7	3.7	



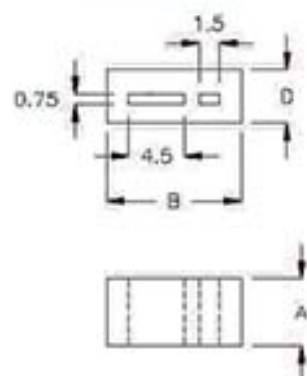
8-70-4

電晶體座 TRANSISTOR HOUSING

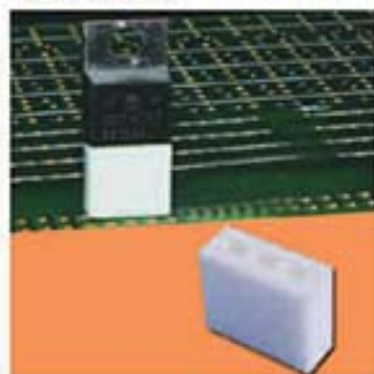


MATERIAL: NYLON 66(UL)
FLAME CLASS: 94V-2
COLOR: NATURAL
FOR TO-220 TRANSISTOR

PART NO	A	B	D	PACKAGE
TR-02D	5.0	10.0	4.0	2000



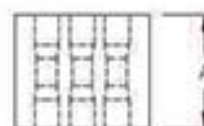
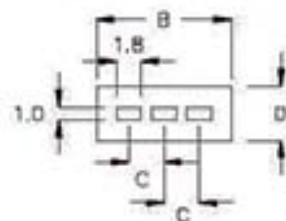
電晶體座 TRANSISTOR HOUSING



MATERIAL: NYLON 66(UL)
FLAME CLASS: 94V-2
COLOR: NATURAL
FOR TO-220 TRANSISTOR

PART NO.	A	B	C	D	PACKAGE
TR-02F	8.5	10.0	2.6	4.0	1000
TR-02H	9.5	10.0	2.6	4.0	

8-71-1



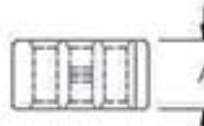
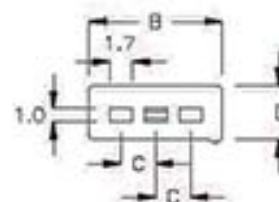
電晶體座 TRANSISTOR HOUSING



MATERIAL: NYLON 66(UL)
FLAME CLASS: 94V-0
COLOR: BLACK
FOR TO-220 TRANSISTOR

PART NO.	A	B	C	D	PACKAGE
TR-20M	5.0	10.0	2.6	4.0	2000

8-71-2



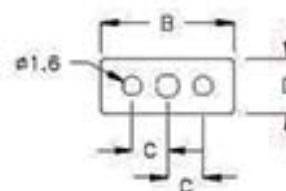
電晶體座 TRANSISTOR HOUSING



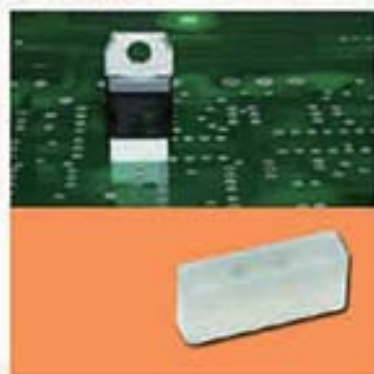
MATERIAL: NYLON 66(UL)
FLAME CLASS: 94V-2
COLOR: NATURAL
FOR TO-220 TRANSISTOR

PART NO.	A	B	C	D	PACKAGE
TR2-07	7.0	9.8	2.6	4.0	1000

8-71-3



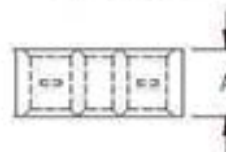
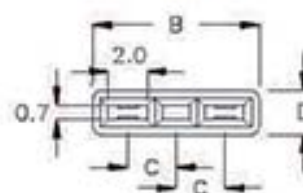
電晶體座 TRANSISTOR HOUSING



MATERIAL: NYLON 66(UL)
FLAME CLASS: 94V-0
COLOR: NATURAL
FOR TO-220 TRANSISTOR

PART NO.	A	B	C	D	PACKAGE
TR-20C	3.5	8.6	2.5	2.3	2000

8-71-4



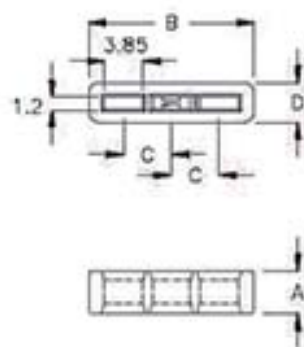
8-72-1

電晶體座 TRANSISTOR HOUSING



MATERIAL: NYLON 66(UL)
FLAME CLASS: 94V-2
COLOR: NATURAL, BLACK
FOR TO-247 TRANSISTOR

PART NO	A	B	C	D	PACKAGE
TR-2HK	4.3	15.0	4.8	2.8	2000
TR-2WS	4.3	16.5	4.8	4.0	

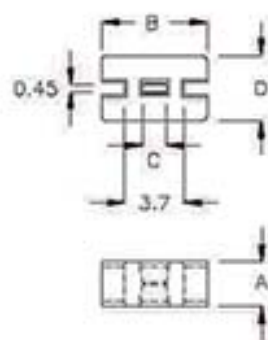


電晶體座 TRANSISTOR HOUSING



MATERIAL: NYLON 66(UL)
FLAME CLASS: 94V-2
COLOR: BLACK

PART NO	A	B	C	D	PACKAGE
TRK-2A	2.8	6.5	1.5	3.0	2000

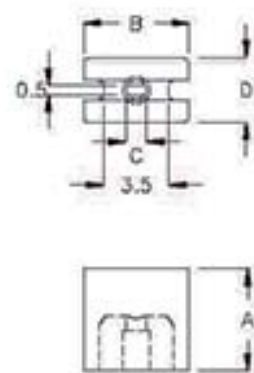


電晶體座 TRANSISTOR HOUSING

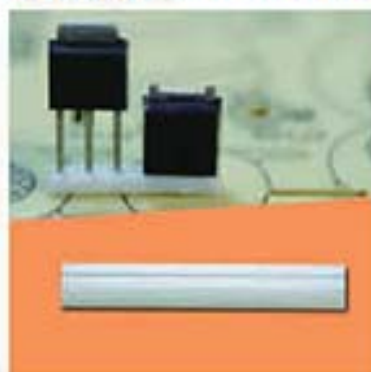


MATERIAL: NYLON 66(UL)
FLAME CLASS: 94V-2
COLOR: NATURAL

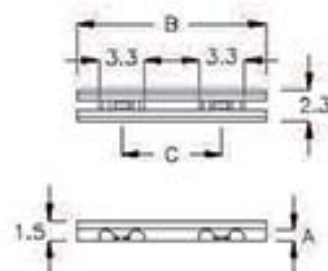
PART NO	A	B	C	D	PACKAGE
TRT-5CS	5.5	5.7	4.1	3.5	2000



電晶體座 TRANSISTOR HOUSING



MATERIAL: NYLON 66(UL)
 FLAME CLASS: 94V-0
 COLOR: NATURAL
 FOR TO-251 TRANSISTOR

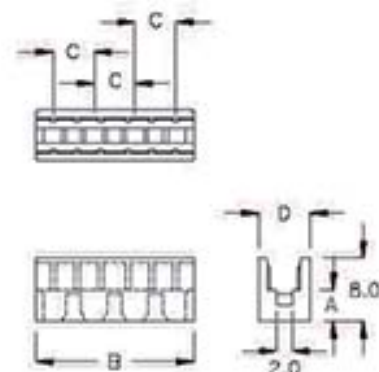


PART NO.	A	B	C	PACKAGE
TRY-1A	0.8	14.0	7.4	1000

電晶體座 TRANSISTOR HOUSING



MATERIAL: NYLON 66(UL)
 FLAME CLASS: 94V-2
 COLOR: NATURAL

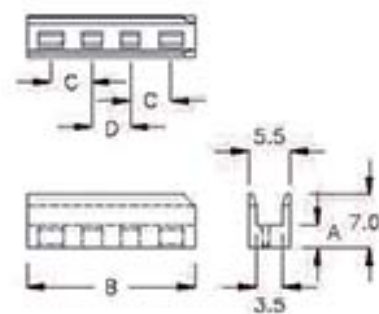


PART NO.	A	B	C	D	PACKAGE
TR-20D	4.0	20.0	5.2	6.5	1000

電晶體座 TRANSISTOR HOUSING



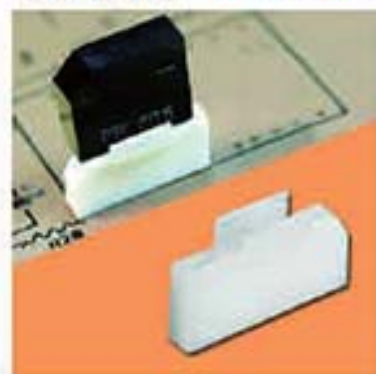
MATERIAL: PBT(UL)
 FLAME CLASS: 94V-0
 COLOR: BLACK



PART NO.	A	B	C	D	PACKAGE
TR-22D	3.0	22.0	5.35	5.0	1000

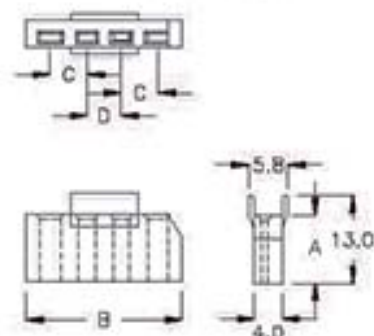
8-74-1

電晶體座 TRANSISTOR HOUSING



MATERIAL: NYLON 66(UL)
FLAME CLASS: 94V-2
COLOR: NATURAL

PART NO	A	B	C	D	PACKAGE
TRL-10	10.0	23.0	5.4	5.1	1000



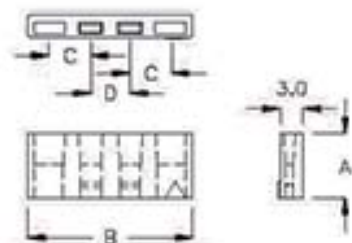
8-74-2

電晶體座 TRANSISTOR HOUSING



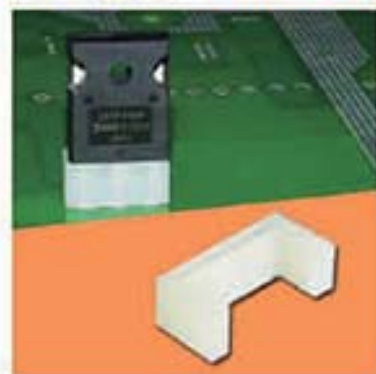
MATERIAL: NYLON 66(UL)
FLAME CLASS: 94V-0
COLOR: NATURAL

PART NO	A	B	C	D	PACKAGE
TRN-9H	8.5	21.3	5.44	5.08	1000



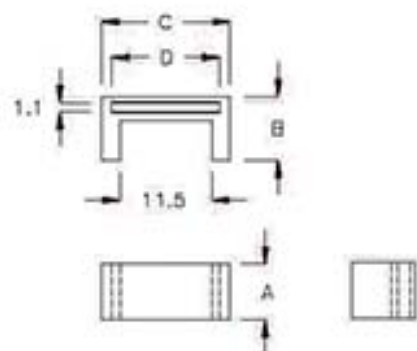
8-74-3

電晶體座 TRANSISTOR HOUSING



MATERIAL: NYLON 66(UL)
FLAME CLASS: 94V-2
COLOR: NATURAL
FOR TO-3P TRANSISTOR

PART NO	A	B	C	D	PACKAGE
QLL-16	7.0	8.0	16.0	13.5	2000



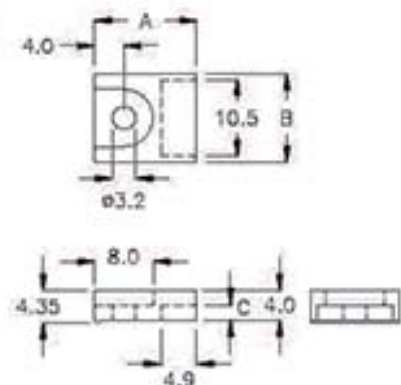
8-74-4

電晶體蓋 TRANSISTOR COVER



MATERIAL: NYLON 66+GF30%
FLAME CLASS: 94V-0
COLOR: NATURAL

PART NO	A	B	C	PACKAGE
HUF-14	14.0	12.2	2.0	1000

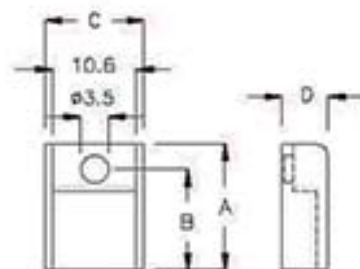


8-75-1

電晶體蓋 TRANSISTOR COVER



MATERIAL: PBT(UL)
FLAME CLASS: 94V-0
COLOR: NATURAL
FOR TO-220 TRANSISTOR



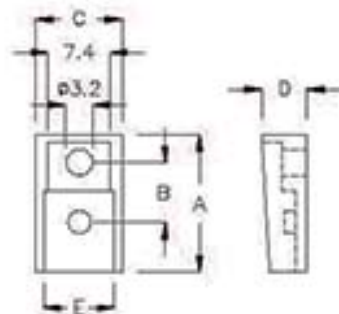
PART NO	A	B	C	D	PACKAGE
TR-03	16.0	12.8	12.5	5.8	500

8-75-2

電晶體蓋 TRANSISTOR COVER



MATERIAL: PBT(UL)
FLAME CLASS: 94V-0
COLOR: NATURAL



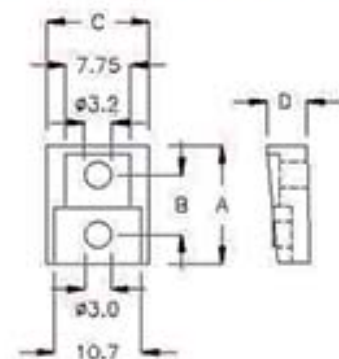
PART NO	A	B	C	D	E	PACKAGE
TR-03A	16.5	7.1	10.4	5.4	8.5	500
TR-03E	14.0	7.1	10.4	4.2	8.3	

8-75-3

電晶體蓋 TRANSISTOR COVER



MATERIAL: PBT(UL)
FLAME CLASS: 94V-0
COLOR: NATURAL



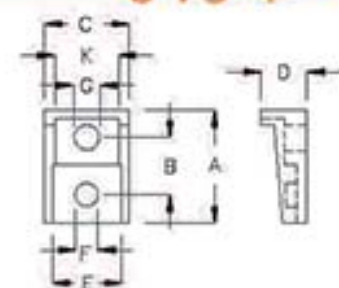
PART NO	A	B	C	D	PACKAGE
TR-03P	14.0	7.3	13.0	4.8	1000

8-75-4

電晶體蓋 TRANSISTOR COVER



MATERIAL: PBT(UL)
FLAME CLASS: 94V-0
COLOR: NATURAL



PART NO	A	B	C	D	E	F	G	K	PACKAGE
TR-03C	14.0	7.1	10.4	5.7	8.4	ø2.8	ø3.3	7.7	500
TR-03D	13.9	7.1	12.0	5.7	10.2	ø3.4	ø3.3	7.7	
TR-03L	14.8	8.15	12.15	5.7	10.35	ø3.1	ø3.2	7.8	

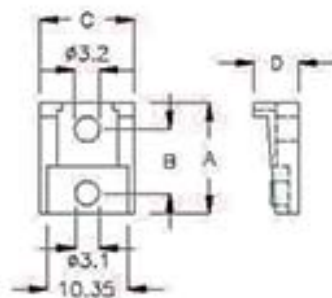
8-76-1

電晶體蓋 TRANSISTOR COVER



MATERIAL: PBT(UL)
FLAME CLASS: 94V-0
COLOR: NATURAL
FOR TO-220 TRANSISTOR

PART NO	A	B	C	D	PACKAGE
TR-03N	14.2	8.15	12.15	5.7	500



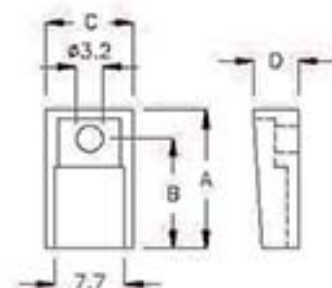
8-76-2

電晶體蓋 TRANSISTOR COVER



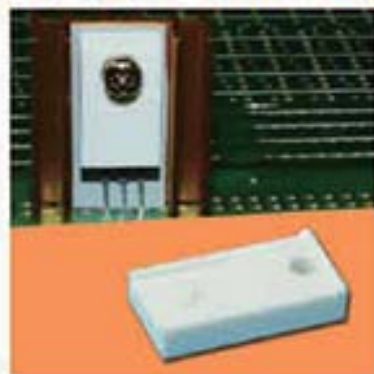
MATERIAL: PBT(UL)
FLAME CLASS: 94V-0
COLOR: NATURAL

PART NO	A	B	C	D	PACKAGE
TR-03F	16.1	12.8	10.4	4.0	500



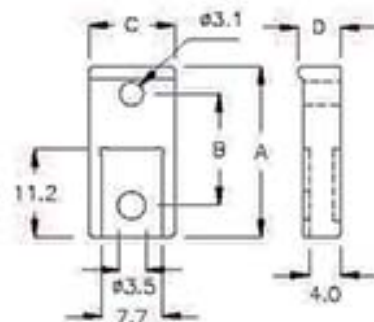
8-76-3

電晶體蓋 TRANSISTOR COVER



MATERIAL: PBT(UL)
FLAME CLASS: 94V-0
COLOR: NATURAL

PART NO	A	B	C	D	PACKAGE
TR-03K	21.6	14.1	10.8	5.4	500



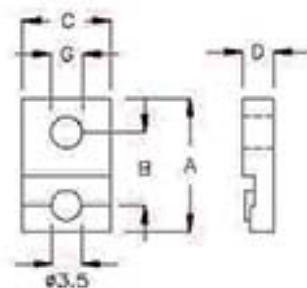
8-76-4

電晶體蓋 TRANSISTOR COVER



MATERIAL: PBT(UL)
FLAME CLASS: 94V-0
COLOR: BLACK
FOR TO-220 TRANSISTOR

PART NO	A	B	C	D	D	PACKAGE
TR-04A	15.3	8.35	10.1	3.6	ø3.7	1000
TR-04H	13.0	6.00	10.1	3.6	ø3.2	

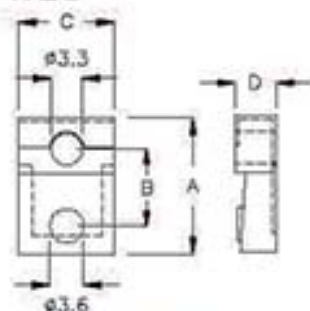


電晶體蓋 TRANSISTOR COVER



MATERIAL: N66(UL)+PHOSPHOR BRONZE
 FLAME CLASS: 94V-2
 COLOR: BLACK
 FOR TO-220 TRANSISTOR

PART NO	A	B	C	D	PACKAGE
TR-04	14.7	8.2	10.2	4.4	1000

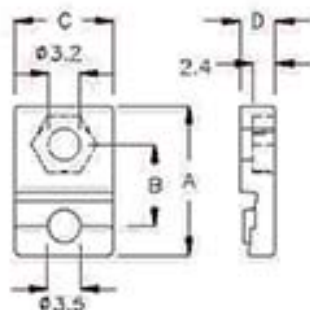
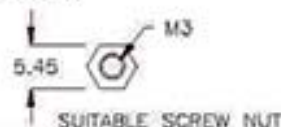


電晶體蓋 TRANSISTOR COVER



MATERIAL: PBT(UL)
 FLAME CLASS: 94V-0
 COLOR: NATURAL
 FOR TO-220 TRANSISTOR

PART NO	A	B	C	D	PACKAGE
TR-4GS	15.3	8.35	10.1	3.6	1000
TR-4YK	14.3	7.4	10.1	3.6	

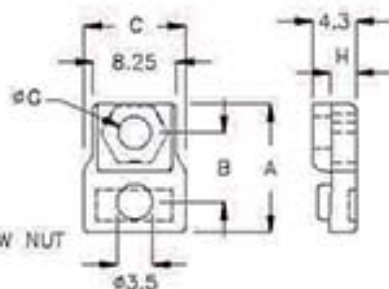


電晶體蓋 TRANSISTOR COVER



MATERIAL: PBT(UL)
 FLAME CLASS: 94V-0
 COLOR: NATURAL
 FOR TO-220 TRANSISTOR

PART NO	A	B	C	D	H	PACKAGE
TR-4LF	12.65	6.85	10.0	3.2	2.5	1000
TR-4JW	12.65	6.85	10.0	3.1	2.4	

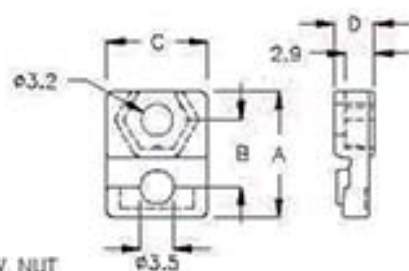
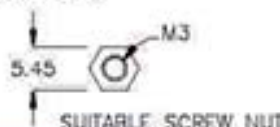


電晶體蓋 TRANSISTOR COVER



MATERIAL: PBT(UL)
 FLAME CLASS: 94V-0
 COLOR: NATURAL
 FOR TO-220 TRANSISTOR

PART NO	A	B	C	D	PACKAGE
TR-4RL	12.65	6.85	10.1	4.1	1000



8-78-1

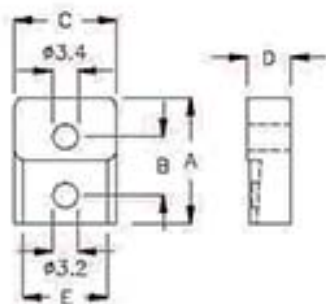
電晶體蓋 TRANSISTOR COVER



MATERIAL: PBT(UL)
FLAME CLASS: 94V-0
COLOR: NATURAL
FOR TO-220 TRANSISTOR



PART NO	A	B	C	D	E	PACKAGE
TR-05	16.2	7.4	13.0	5.4	10.8	200



8-78-2

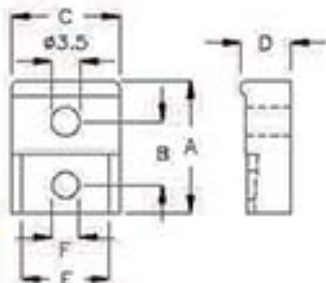
電晶體蓋 TRANSISTOR COVER



MATERIAL: PBT(UL)
FLAME CLASS: 94V-0
COLOR: NATURAL
FOR TO-220 TRANSISTOR



PART NO	A	B	C	D	E	F	PACKAGE
TR-06	16.2	7.6	13.2	6.4	10.4	$\phi 3.3$	200
TR-06A	16.1	7.7	13.2	6.4	10.6	$\phi 3.3$	
TR-06B	17.7	9.2	13.1	6.4	10.6	$\phi 3.3$	
TR-06D	19.2	10.75	13.0	6.3	10.5	$\phi 3.0$	



8-78-3

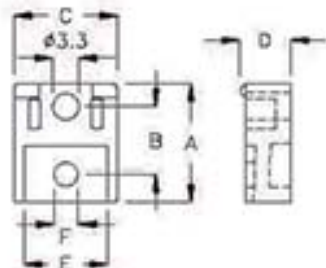
電晶體蓋 TRANSISTOR COVER



MATERIAL: PBT(UL)
FLAME CLASS: 94V-0
COLOR: NATURAL
FOR TO-220 TRANSISTOR



PART NO	A	B	C	D	E	F	PACKAGE
TR-06H	14.3	8.3	12.6	6.2	10.3	$\phi 3.0$	200
TR-06J	14.3	8.3	13.2	6.2	10.5	$\phi 3.2$	



8-78-4

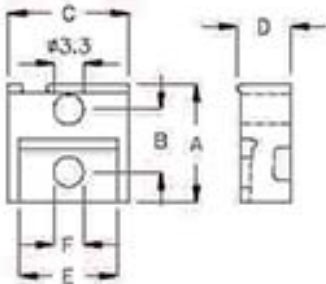
電晶體蓋 TRANSISTOR COVER



MATERIAL: PBT(UL)
FLAME CLASS: 94V-0
COLOR: NATURAL
FOR TO-220 TRANSISTOR



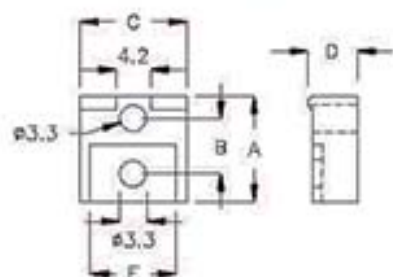
PART NO	A	B	C	D	E	F	PACKAGE
TR-06K	13.0	6.8	13.2	5.9	10.8	$\phi 3.3$	200



電晶體蓋 TRANSISTOR COVER



MATERIAL: PBT(UL)
FLAME CLASS: 94V-0
COLOR: NATURAL
FOR TO-220 TRANSISTOR

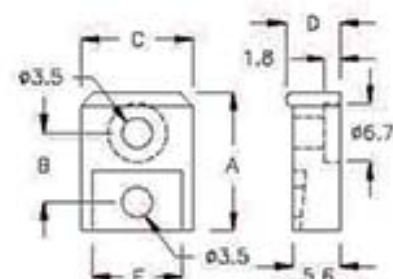


PART. NO.	A	B	C	D	E	PACKAGE
TR-06D	13.0	6.8	13.2	6.2	10.7	200

電晶體蓋 TRANSISTOR COVER



MATERIAL: PBT(UL)
FLAME CLASS: 94V-0
COLOR: NATURAL
FOR TO-220 TRANSISTOR

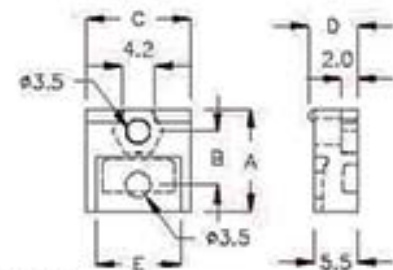
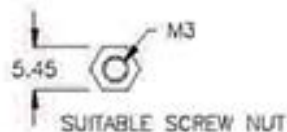


PART. NO.	A	B	C	D	E	PACKAGE
TR-06C	16.0	8.0	13.0	6.3	10.3	200

電晶體蓋 TRANSISTOR COVER



MATERIAL: PBT(UL)
FLAME CLASS: 94V-0
COLOR: NATURAL
FOR TO-220 TRANSISTOR

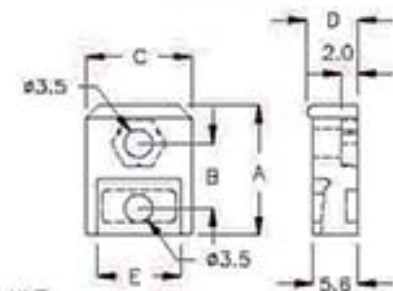


PART. NO.	A	B	C	D	E	PACKAGE
TR-6AF	13.0	6.8	13.2	6.2	10.6	200

電晶體蓋 TRANSISTOR COVER



MATERIAL: PBT(UL)
FLAME CLASS: 94V-0
COLOR: NATURAL
FOR TO-220 TRANSISTOR

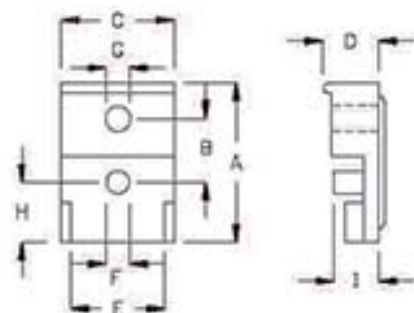


PART. NO.	A	B	C	D	E	PACKAGE
TR-6CF	16.0	8.0	13.0	6.3	10.3	200

電晶體蓋 TRANSISTOR COVER



MATERIAL: PBT(UL)
 FLAME CLASS: 94V-0
 COLOR: NATURAL
 FOR TO-220 TRANSISTOR
 *FOR TO-3P TRANSISTOR

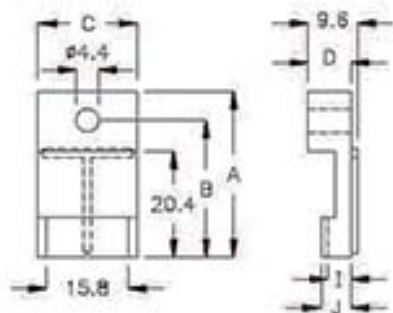


PART NO	A	B	C	D	E	F	G	H	I	PACKAGE
TR-09	22.9	9.3	12.9	8.4	10.4	φ2.9	φ3.5	8.5	7.8	200
*TR-26	26.3	10.6	18.6	9.2	15.3	φ3.6	φ4.1	9.6	7.2	

電晶體蓋 TRANSISTOR COVER



MATERIAL: PBT(UL)
 FLAME CLASS: 94V-0
 COLOR: NATURAL
 FOR TO-3P TRANSISTOR

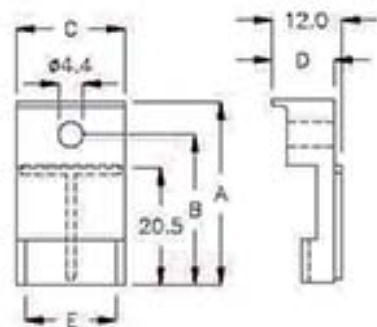


PART NO	A	B	C	D	I	J	PACKAGE
TR-10	32.0	26.3	19.1	8.3	4.4	5.8	200
TR-10KD	32.0	26.3	19.1	8.3	3.6	5.8	

電晶體蓋 TRANSISTOR COVER



MATERIAL: PBT(UL)
 FLAME CLASS: 94V-0
 COLOR: NATURAL
 FOR TO-3P TRANSISTOR

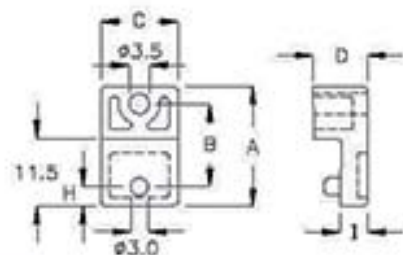


PART NO	A	B	C	D	E	PACKAGE
TR-11	32.0	26.3	19.0	10.7	15.8	200

電晶體蓋 TRANSISTOR COVER



MATERIAL: PBT(UL)
FLAME CLASS: 94V-0
COLOR: NATURAL
FOR TO-247 TRANSISTOR

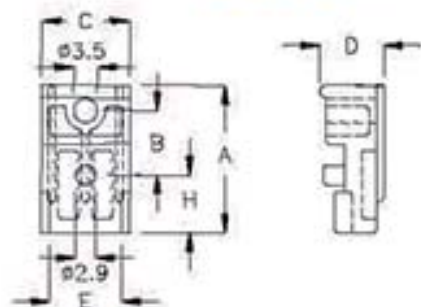


PART NO.	A	B	C	D	H	I	PACKAGE
TR-20MK	20.25	14.0	13.0	9.25	3.35	4.7	500

電晶體蓋 TRANSISTOR COVER



MATERIAL: PBT(UL)
FLAME CLASS: 94V-0
COLOR: NATURAL
FOR TO-220 TRANSISTOR

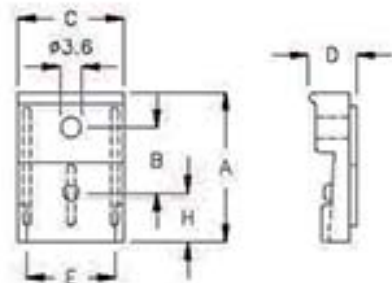


PART NO.	A	B	C	D	E	H	PACKAGE
TR-21KP	21.5	9.3	12.9	9.4	10.4	8.5	200

電晶體蓋 TRANSISTOR COVER



MATERIAL: PBT(UL)
FLAME CLASS: 94V-0
COLOR: NATURAL
FOR TO-3P TRANSISTOR

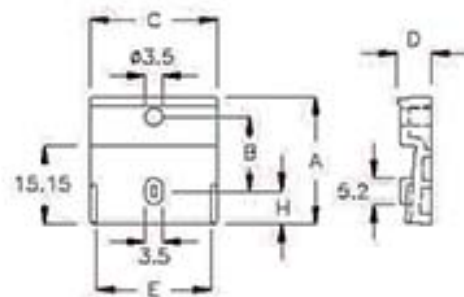


PART NO.	A	B	C	D	E	H	PACKAGE
TR-25	27.0	12.3	18.5	8.4	15.5	8.6	200
TR-30	32.3	9.7	21.3	9.5	18.3	15.6	
TR-30A	33.2	12.3	21.3	9.5	18.3	14.0	

電晶體蓋 TRANSISTOR COVER



MATERIAL: PBT(UL)
FLAME CLASS: 94V-0
COLOR: NATURAL

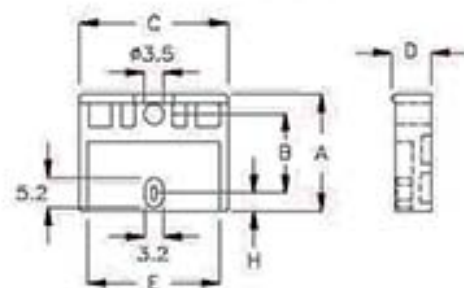


PART. NO.	A	B	C	D	E	H	PACKAGE
TR-31	25.0	14.5	25.1	6.7	22.3	6.4	200

電晶體蓋 TRANSISTOR COVER



MATERIAL: PBT(UL)
FLAME CLASS: 94V-0
COLOR: NATURAL

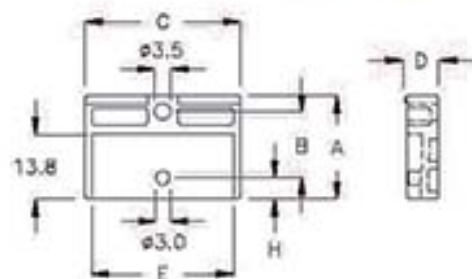


PART. NO.	A	B	C	D	E	H	PACKAGE
TR-31A	20.0	13.55	25.4	6.7	22.5	3.15	200

電晶體蓋 TRANSISTOR COVER



MATERIAL: PBT(UL)
FLAME CLASS: 94V-0
COLOR: NATURAL

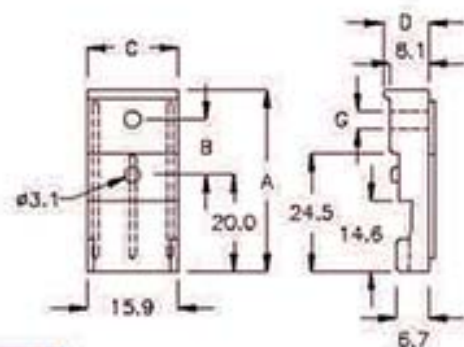


PART. NO.	A	B	C	D	E	H	PACKAGE
TR-33MQ	22.0	14.1	33.3	7.5	30.4	4.45	200

電晶體蓋 TRANSISTOR COVER



MATERIAL: PBT(UL)
FLAME CLASS: 94V-0
COLOR: NATURAL

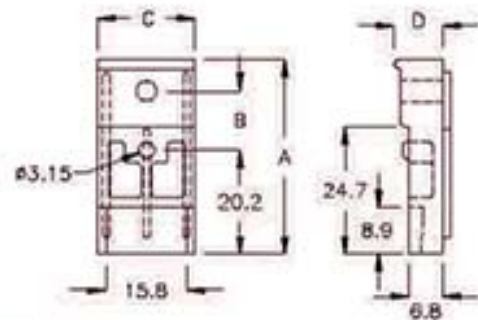


PART NO	A	B	C	D	E	PACKAGE
TR-35	37.7	11.4	18.8	9.4	3.6	200
TR-35A	37.7	11.4	18.8	9.4	4.1	

電晶體蓋 TRANSISTOR COVER



MATERIAL: PBT(UL)
FLAME CLASS: 94V-0
COLOR: NATURAL

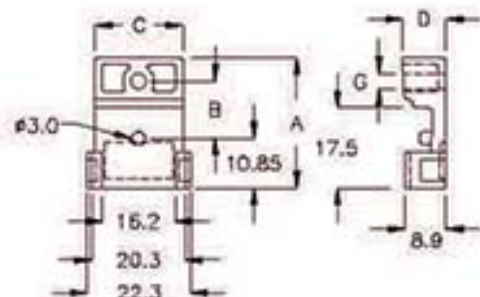


PART NO	A	B	C	D	E	PACKAGE
TR-35C	37.7	11.4	18.8	9.45	4.1	200

電晶體蓋 TRANSISTOR COVER



MATERIAL: PBT(UL)
FLAME CLASS: 94V-0
COLOR: NATURAL



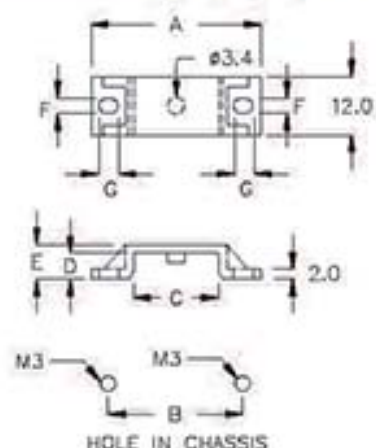
PART NO	A	B	C	D	E	PACKAGE
TRX-28K	28.45	12.45	19.1	9.5	3.3	100

8-84-1

電晶體蓋 TRANSISTOR COVER



MATERIAL: PBT(UL)
FLAME CLASS: 94V-0
COLOR: NATURAL



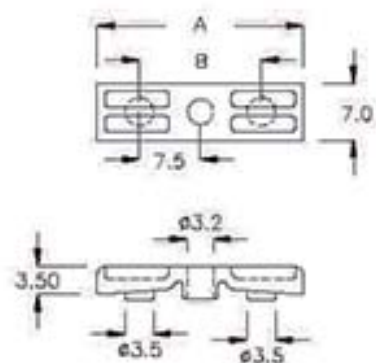
PART NO	A	B	C	D	E	F	G	H	PACKAGE
TRM-01	32.0	25.5	16.0	4.7	6.2	3.2	3.2		500
TRM-2A	35.0	27.65	17.5	5.3	7.0	3.2	4.0		

8-84-2

電晶體座 TRANSISTOR HOUSING



MATERIAL: PBT(UL)
FLAME CLASS: 94V-0
COLOR: NATURAL
FOR TO-220 TRANSISTOR



PART NO	A	B	PACKAGE
TRJ-25F	25.4	15.0	500

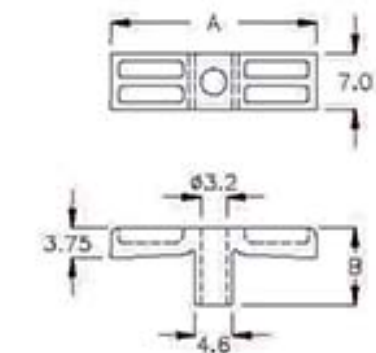
8-84-3

電晶體座 TRANSISTOR HOUSING



MATERIAL: PBT(UL)
FLAME CLASS: 94V-0
COLOR: NATURAL
FOR TO-247-3 TRANSISTOR

NEW



PART NO	A	B	PACKAGE
★ TRJQ-25A	25.4	9.5	500

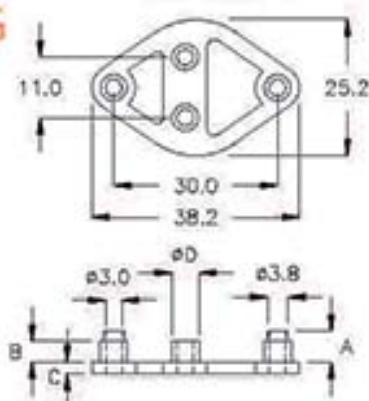
8-85-1



電晶體座 TRANSISTOR HOUSING

MATERIAL: NYLON 66(UL)
FLAME CLASS: 94V-2
COLOR: NATURAL

PART NO.	A	B	C	D	PACKAGE
TR-20	5.6	3.8	2.1	5.0	200
TR-20A	8.2	5.9	2.0	6.0	



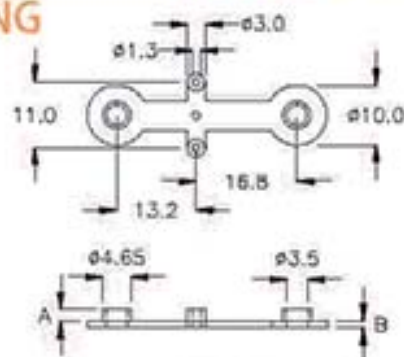
8-85-2



電晶體座 TRANSISTOR HOUSING

MATERIAL: NYLON 66(UL)
FLAME CLASS: 94V-0
COLOR: NATURAL

PART NO.	A	B	PACKAGE
TR-20B	2.0	1.1	500



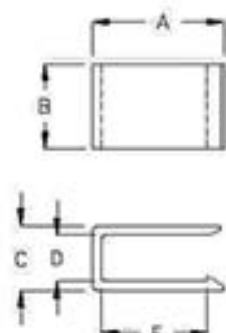
8-85-3



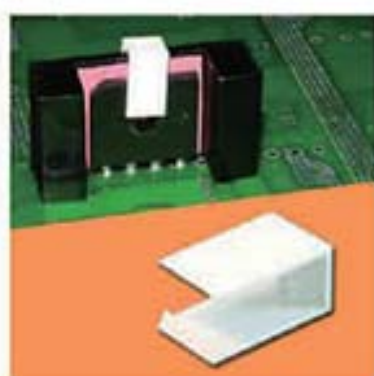
電晶體固定扣 TRANSISTOR CLAMP

MATERIAL: PBT(UL)
FLAME CLASS: 94V-0
COLOR: NATURAL

PART NO.	A	B	C	D	E	PACKAGE
TRQ-4H	13.75	6.0	6.3	4.5	11.5	1000
TRQ-5CN	12.6	8.0	7.5	5.7	10.0	
TRQ-5ZL	17.25	8.0	6.8	5.0	14.7	
TRQ-10	12.5	8.0	7.0	5.2	10.0	
TRQ-10A	12.5	8.0	8.0	6.2	10.0	
TRQ-10F	12.5	8.0	7.3	5.5	10.0	
TRQ-10W	12.5	8.0	6.1	4.3	10.0	



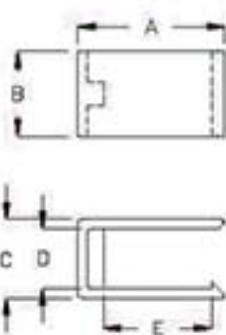
8-85-4



電晶體固定扣 TRANSISTOR CLAMP

MATERIAL: PBT(UL)
FLAME CLASS: 94V-0
COLOR: NATURAL

PART NO.	A	B	C	D	E	PACKAGE
TRQ-5K	13.6	7.8	7.3	5.5	10.0	1000
TRQ-5P	12.6	7.8	7.3	5.5	9.0	
TRQ-7A	13.6	8.0	8.8	7.0	10.0	



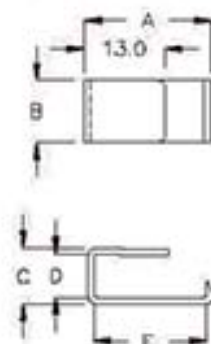
8-86-1



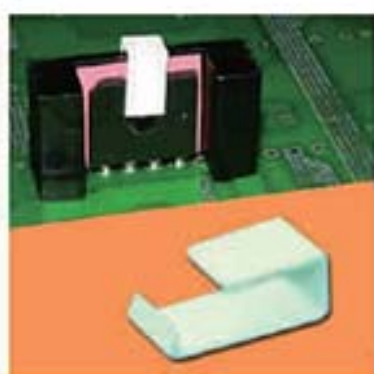
電晶體固定扣 TRANSISTOR CLAMP

MATERIAL: PBT(UL)
FLAME CLASS: 94V-0
COLOR: NATURAL

PART NO.	A	B	C	D	E	PACKAGE
TRQ-7DM	20.4	10.0	9.0	7.0	18.1	1000



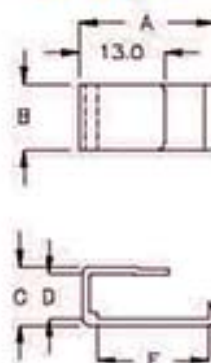
8-86-2



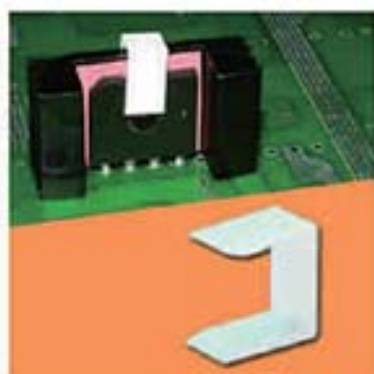
電晶體固定扣 TRANSISTOR CLAMP

MATERIAL: PBT(UL)
FLAME CLASS: 94V-0
COLOR: NATURAL

PART NO.	A	B	C	D	E	PACKAGE
TRQ-7F	21.9	10.0	9.0	7.0	18.2	1000



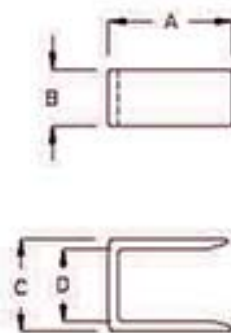
8-86-3



電晶體固定扣 TRANSISTOR CLAMP

MATERIAL: PBT(UL)
FLAME CLASS: 94V-0
COLOR: NATURAL

PART NO.	A	B	C	D	PACKAGE
TRQ-5JX	6.8	4.5	6.6	5.0	1000
TRQ-6MQ	6.8	4.5	7.9	6.3	
TRQ-7HL	6.8	4.5	8.6	7.0	
TRQ-7SK	8.2	4.5	8.6	7.0	



8-86-4



熱收縮套管 HEAT SHRINKING TUBE

SIZE: $\phi 1.2 \sim \phi 50.8$
COLOR: BLACK
LENGTH IS ACCORDING TO
CUSTOMER'S DEMAND

適用線徑
 $\phi 1.2 \sim \phi 50.8$



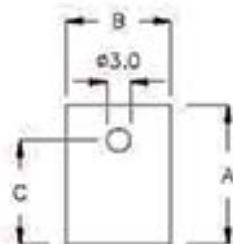
8-87-1



矽膠片 SILICONE RUBBER

MATERIAL: SILICONE (UL)
 COLOR: GRAY
 FLAME CLASS: 94V-0
 THICKNESS: 0.3~0.8mm
 LENGTH IS ACCORDING TO CUSTOMER'S DEMAND

PART NO	A	B	C	PACKAGE
TO-3P3A	25.0	20.0	16.5	1000
TO-2203A	18.0	13.0	13.5	



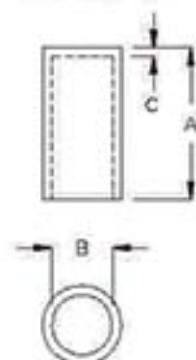
8-87-2



矽膠套管 SILICONE RUBBER TUBE

MATERIAL: SILICONE(UL)
 FLAME CLASS: 94V-0
 COLOR: GRAY

PART NO	A	B	C	PACKAGE
CST-1315	15.0	φ13.2	0.45	1000
CST-1925	25.0	φ18.7	0.45	500



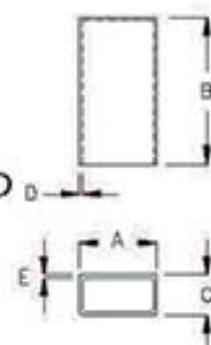
8-87-3



矽膠套管 SILICONE RUBBER TUBE

MATERIAL: SILICONE(UL)
 COLOR: GRAY
 FLAME CLASS: 94V-0
 ACCORDING TO CUSTOMER'S DEMAND

PART NO	A	B	C	D	E	PACKAGE
TO-220ST	11.4	21.5	5.8	0.45	0.45	1000
TO-220ST-B	11.4	16.0	5.8	0.45	0.45	
TO-3PST	17.5	28.5	5.9	0.45	0.45	1000
TO-4PST	23.5	22.0	5.0	0.4	0.4	



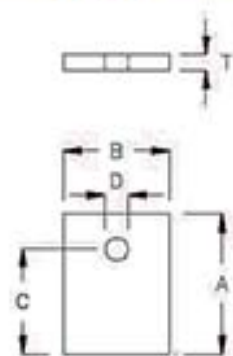
8-87-4



陶瓷片 CERAMICS

MATERIAL: CERAMICS
 COLOR: NATURAL

PART NO	A	B	C	D	T	PACKAGE
TQA-01	19.2	13.8	14.6	φ3.7	2.0	1000
TQA-02	30.0	19.0	22.0	φ4.0	2.5	500
TQA-05	21.7	14.9	15.6	φ3.6	1.5	1000
TQA-07	14.2	10.3	9.4	φ3.8	3.0	
TQA-08	13.9	10.0	9.5	φ3.6	2.0	





腳墊 ▲

PLASTIC FOOT

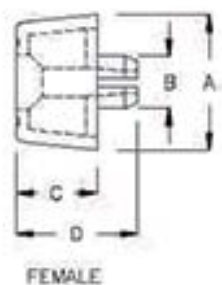
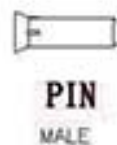
腳墊 PLASTIC FOOT



MALE MATERIAL: PP
 FEMALE MATERIAL: EVA
 COLOR: BLACK
 INCLUDE PIN
 *附 PIN

PART NO	HOLE IN CHASSIS	CHASSIS THICKNESS	A	B	C	D	PACKAGE
GL-13	ø5.0	1.0~2.0	ø12.7	ø5.0	4.5	8.8	500
GL-16	ø5.0	1.0~2.0	ø15.8	ø5.0	4.5	8.8	
GL-18	ø8.0	0.8~1.0	ø20.0	ø7.9	18.0	23.5	
GL-18S	ø8.0	0.8~1.0	ø20.0	ø8.0	18.0	21.9	
GL-19	ø8.0	1.0~2.5	ø19.5	ø8.0	5.0	10.4	
GL-19H	ø8.0	1.0~2.5	ø20.0	ø8.0	10.2	15.5	
GL-19S	ø8.0	1.0~2.0	ø19.3	ø8.0	4.0	7.0	
GL-19M	ø8.0	1.0~2.0	ø19.8	ø8.0	7.0	11.0	
GL-20H	ø8.0	1.0~3.5	ø20.0	ø8.0	20.0	26.0	200
GL-24	ø8.0	1.0~2.5	ø24.0	ø8.0	5.0	10.4	500
GL-24H	ø8.0	1.0~2.5	ø24.0	ø7.9	10.5	15.8	
GL-24L	ø8.0	1.0~2.7	ø24.0	ø8.0	5.0	10.8	
GL-27C	ø10.0	0.8~1.2	ø27.0	ø10.0	7.0	12.0	200
GL-29	ø10.0	1.0~3.5	ø28.6	ø9.9	8.0	13.8	500
GL-30	ø10.0	0.8~2.5	ø29.5	ø10.0	15.0	23.3	200
GL-32	ø10.0	1.0~3.5	ø31.5	ø9.9	7.8	13.6	500
GL-32S	ø10.0	0.8~1.2	ø32.0	ø10.0	7.8	11.3	200

腳墊 PLASTIC FOOT



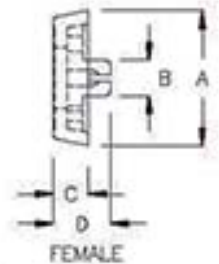
MALE MATERIAL: PP
 FEMALE MATERIAL: EVA
 COLOR: BLACK
 INCLUDE PIN
 *附 PIN

PART NO	HOLE IN CHASSIS	CHASSIS THICKNESS	A	B	C	D	PACKAGE
GL-20K	ø7.8	0.8~1.4	ø26.7	ø7.8	16.0	21.0	200
GL-20L	ø8.0	0.8~1.8	ø20.0	ø8.0	12.0	18.0	
GL-20P	ø8.0	0.8~1.2	ø19.5	ø8.0	8.0	12.5	500
GL-27	ø8.0	0.8~1.8	ø27.0	ø8.0	13.0	18.0	200
GL-27F	ø7.8	0.8~1.2	ø26.7	ø7.8	5.0	10.0	
GL-27K	ø7.8	0.8~1.2	ø26.7	ø7.8	10.0	15.0	
GL-32D	ø8.4	0.8~1.6	ø33.0	ø8.4	16.0	21.7	

腳墊 PLASTIC FOOT



MALE MATERIAL: NYLON 66(UL)
 FEMALE MATERIAL: TPR(UL)
 FLAME CLASS: 94V-0
 COLOR: BLACK,GRAY
 INCLUDE PIN
 *附 PIN

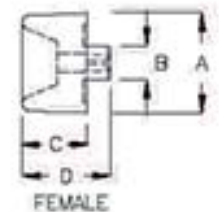


PART NO	CHASSIS THICKNESS	A	B HOLE IN CHASSIS	C	D	PACKAGE
GL-20M	0.8	φ20.0	φ5.3	5.2	8.4	500

腳墊 PLASTIC FOOT



MALE MATERIAL: PP
 FLAME MATERIAL: EVA
 COLOR: BLACK,GRAY
 INCLUDE PIN
 *附 PIN

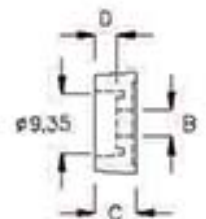


PART NO	CHASSIS THICKNESS	A	B HOLE IN CHASSIS	C	D	PACKAGE
GL-23D	0.8~1.6	φ23.0	φ8.2	15.0	20.5	200
GL-23F	0.8~1.6	φ23.0	φ8.0	23.0	28.5	

腳墊 PLASTIC FOOT



MATERIAL: TPR(UL)
 FLAME CLASS: 94V-0
 COLOR: BLACK
 MUST BE FASTENED BY
 M3 SCREW

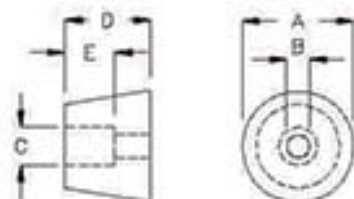


PART NO	A	B	C	D	PACKAGE
GL-03	φ15.0	φ4.2	6.0	3.2	500

腳墊 PLASTIC FOOT



MATERIAL: TPE
 COLOR: BLACK
 GL-7 CAN BE USED WITH
 SR-5 TO SNAP IN
 MUST BE FASTENED BY
 M3 SCREW

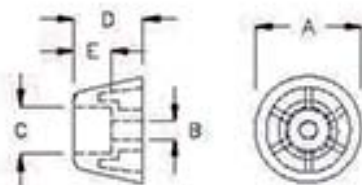


PART NO	A	B	C	D	E	PACKAGE
GL-2	φ13.8	φ3.2	φ5.9	10.0	6.0	1000
GL-2C	φ12.0	φ3.5	φ6.35	8.0	3.3	
GL-4	φ20.0	φ3.4	φ8.7	10.4	4.5	500
GL-4D	φ20.0	φ4.5	φ8.8	10.4	4.6	500
GL-5	φ28.0	φ3.8	φ8.2	19.8	13.8	200
GL-6K	φ19.0	φ3.8	φ9.0	6.3	3.2	500
GL-6S	φ18.2	φ4.2	φ9.0	7.8	3.8	1000
GL-7	φ14.7	φ5.0	φ9.0	6.0	2.2	
GL-7S	φ14.7	φ5.0	φ9.0	5.0	2.2	

腳墊 PLASTIC FOOT



MATERIAL: EVA
 COLOR: BLACK
 MUST BE FASTENED BY
 M3 SCREW



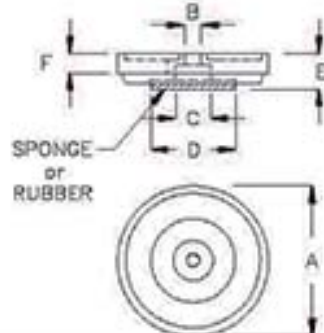
PART NO	A	B	C	D	E	PACKAGE
GL-4A	φ20.0	φ4.2	φ9.0	10.4	6.5	500
GL-4L	φ19.7	φ3.4	φ8.7	12.6	6.8	
GL-6	φ18.6	φ3.95	φ8.8	6.4	3.3	
GL-9	φ25.0	φ3.3	φ9.0	6.4	3.4	
GL-20	φ20.0	φ4.2	φ9.2	20.0	14.0	200

9-5-1

燙金腳墊 HOT STAMPING FOOT



MATERIAL: ABS+SPONGE
 COLOR: BLACK(ABS)
 BLACK+GOLD
 BLACK+SILVER
 MUST BE FASTENED BY
 M3 SCREW



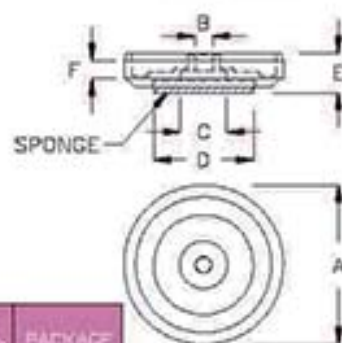
PART NO	A	B	C	D	E	F-HOT STAMPING	COLOR	PACKAGE
GLA-30C	ø30.2	ø3.6	ø5.1	ø25.0	9.3	6.4	STAMPING GOLD	100
GLA-30F	ø30.0	ø4.3	ø11.5	ø25.0	6.0	4.0	STAMPING GOLD	
GLA-40F	ø40.0	ø4.3	ø11.5	ø25.0	8.0	4.5	STAMPING SILVER	50
GLA-45F	ø44.8	ø4.0	ø10.3	ø25.0	10.9	5.8	STAMPING SILVER	
GLA-50F	ø50.0	ø4.3	ø11.5	ø35.0	13.5	8.0	ABS BLACK	

9-5-2

燙金腳墊 HOT STAMPING FOOT



MATERIAL: ABS+SPONGE
 COLOR: BLACK(ABS)
 BLACK+GOLD
 BLACK+SILVER
 MUST BE FASTENED BY
 M3 SCREW



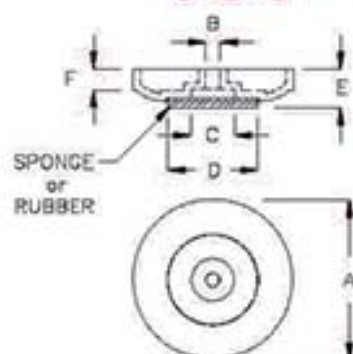
PART NO	A	B	C	D	E	F-HOT STAMPING	PACKAGE
GLA-40H	ø40.0	ø4.3	ø11.5	ø25.0	10.0	4.5	100

9-5-3

燙金腳墊 HOT STAMPING FOOT



MATERIAL: ABS+SPONGE
 COLOR: BLACK(ABS)
 BLACK+GOLD
 BLACK+SILVER
 MUST BE FASTENED BY
 M3 SCREW



PART NO	A	B	C	D	E	F-HOT STAMPING	COLOR	PACKAGE
GLA-45C	ø44.5	ø4.0	ø12.0	ø25.0	10.9	5.7	STAMPING GOLD	50
							STAMPING SILVER	
							ABS BLACK	

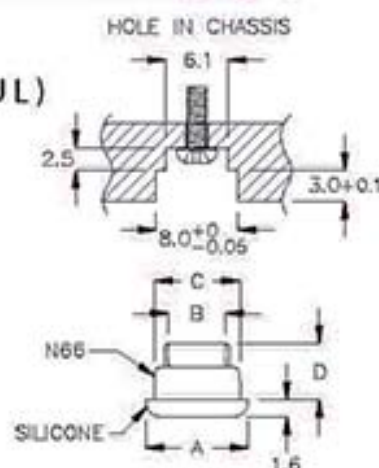
9-6-1



腳墊 RUBBER FOOT

PLASTIC MATERIAL: NYLON 66(UL)
 FLAME CLASS: 94V-0
 SOFT MATERIAL: SILICONE
 FLAME CLASS: 94HB
 COLOR: BLACK

PART NO	A	B	C	D	PACKAGE
WHT-6C	φ9.6	φ5.3	φ8.0	5.2	2000



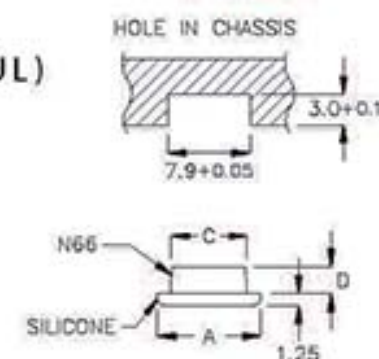
9-6-2



腳墊 RUBBER FOOT

PLASTIC MATERIAL: NYLON 66(UL)
 FLAME CLASS: 94HB
 SOFT MATERIAL: SILICONE
 FLAME CLASS: 94V-0
 COLOR: BLACK

PART NO	A	C	D	PACKAGE
WHT-6F	φ11.0	φ8.0	2.9	2000



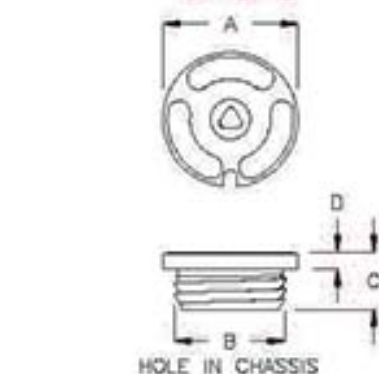
9-6-3



腳墊 RUBBER FOOT

MATERIAL: TPE
 COLOR: BLACK

PART NO	A	B	C	D	PACKAGE
GLE-01	φ20.0	φ15.7	8.5	2.5	500
GLE-02	φ22.8	φ20.0	9.1	2.4	
GLE-03	φ20.0	φ15.7	7.3	2.5	



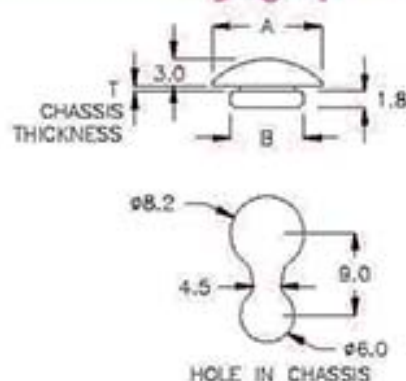
9-6-4



墊座 SILICONE RUBBER FOOT

MATERIAL: SILICONE
 COLOR: BLACK

PART NO	A	B	T CHASSIS THICKNESS	PACKAGE
GMC-3CD	φ12.0	φ8.0	0.6	2000



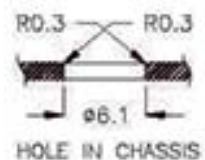
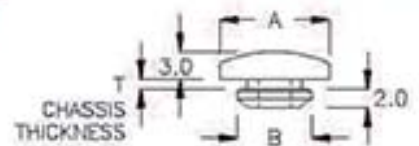
PINGOOD

9-7-1



墊座 SILICONE RUBBER FOOT

MATERIAL: SILICONE
COLOR: BLACK



PART NO.	A	B	T CHASSIS THICKNESS	PACKAGE
GMC-3RF	φ12.0	φ8.0	1.2	2000

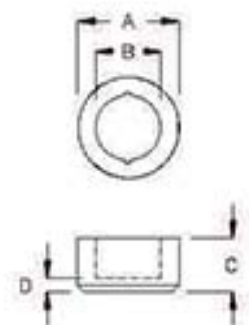
9-7-2



腳墊 RUBBER FOOT

MATERIAL: PU
COLOR: BLACK

PART NO.	A	B	C	D	PACKAGE
LGA-01	φ15.0	φ9.7	8.0	2.1	500
LGA-02	φ15.0	φ9.7	8.5	2.35	



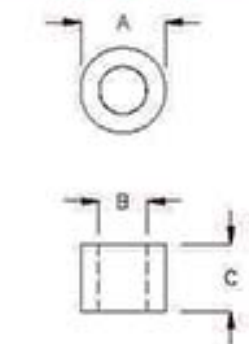
9-7-3



墊座 SILICONE RUBBER FOOT

MATERIAL: SILICONE
COLOR: BLACK

PART NO.	A	B	C	PACKAGE
C120609A	φ12.0	φ6.8	9.5	2000



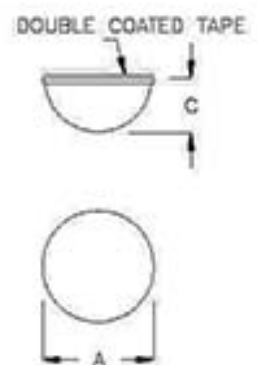
9-7-4



墊座 SILICONE RUBBER FOOT

MATERIAL: SILICONE
COLOR: BLACK
ADHESIVE TAPE: 3M or EQUIVALENT

PART NO.	A	C	PACKAGE
S0803	φ6.3	3.0	3200
S0702	φ7.0	2.0	3000
S0803D	φ8.0	3.5	
S0904	φ8.8	3.6	1000
S0904MF	φ8.8	4.3	
S1105	φ10.7	5.2	
S1106	φ11.0	6.0	
S1608	φ15.9	8.0	

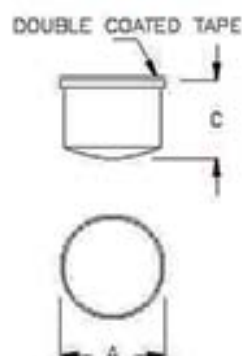




墊座 SILICONE RUBBER FOOT

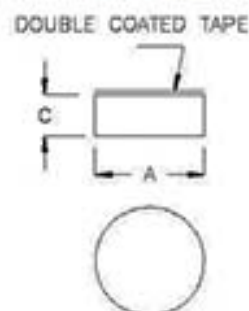
MATERIAL: SILICONE
 COLOR: BLACK
 ADHESIVE TAPE: 3M or EQUIVALENT

PART NO.	A	C	PACKAGE
U0802C	ø8.0	2.3	1000
U0802D	ø7.8	2.6	
U0802F	ø8.0	2.6	2000
U0802KM	ø8.0	2.4	1000
U1815	ø18.0	14.5	500



墊座 SILICONE RUBBER FOOT

MATERIAL: SILICONE
 COLOR: BLACK
 ADHESIVE TAPE:
 3M, or EQUIVALENT
 ◎ 我可接受特別尺寸訂購
 *ACCEPTABLE FOR
 CUSTOMIZED REQUEST



PART NO.	A	C	PACKAGE
R0301A	ø3.8	0.5	2000
R0401	ø4.0	1.0	
R0402	ø4.0	1.8	
R0501	ø4.8	1.0	
R0501A	ø5.0	1.5	
R0502	ø5.0	1.8	
R0502J	ø5.0	2.4	
R0503A	ø5.0	3.5	
R0601	ø5.7	1.0	
R0602	ø6.0	1.5	
R0602A	ø6.0	2.0	
R0602C	ø6.0	2.5	
R0603	ø6.0	3.0	
R0603S	ø6.4	2.6	
R0702F	ø6.5	2.0	
R0703A	ø6.5	3.2	
R0701J	ø7.0	1.0	
R0702C	ø7.0	2.0	
R0702A	ø7.0	2.2	
R0703	ø7.0	3.0	
R0701K	ø7.5	0.65	
R0801C	ø8.0	0.7	
R0801	ø8.0	1.0	
R0802H	ø8.0	1.5	
R0802	ø8.0	1.8	

PART NO.	A	C	PACKAGE
R0802C	ø8.0	2.0	2000
R0802P	ø8.0	2.2	
R0803S	ø8.0	2.6	
R0803C	ø8.0	3.0	
R0803	ø8.0	3.2	
R0803F	ø8.0	3.4	
R0803D	ø8.0	3.5	
R0802L	ø8.2	2.0	
R0802K	ø8.5	2.0	
R0802C	ø9.0	2.0	
R0901	ø9.5	1.5	
R0902A	ø9.5	2.0	
R1001K	ø10.0	0.65	
R1001	ø10.0	1.0	
R1002	ø10.0	2.0	
R1002C	ø10.0	2.5	
R1003C	ø10.0	3.0	
R1003A	ø10.0	3.3	
R1202A	ø12.0	2.0	
R1202D	ø12.0	2.5	
R1202	ø12.7	2.0	
R1202C	ø12.7	2.5	
R1501	ø15.0	1.0	
R2103	ø21.0	3.0	
R2802M	ø28.0	2.5	500

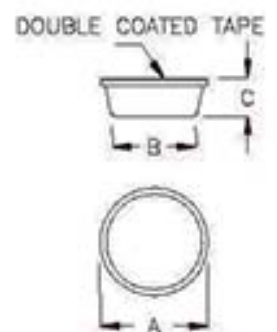
墊座 SILICONE RUBBER FOOT



MATERIAL: SILICONE
 COLOR: BLACK
 ADHESIVE TAPE:
 3M, or EQUIVALENT
 *ACCEPTABLE FOR
 CUSTOMIZED REQUEST

◎ 我司可接受特別尺寸訂購

PART NO	A	B	C	PACKAGE
R0805	ø8.2	ø6.6	5.0	2000
R0806A	ø8.0	ø7.3	6.0	
R0808	ø8.0	ø7.05	8.0	
R0903	ø9.5	ø8.5	3.7	
R0906C	ø9.5	ø7.75	8.1	
R1003	ø10.9	ø10.0	3.0	1000
R1008	ø10.0	ø8.8	8.0	
R1105	ø10.9	ø9.7	5.0	2000
★ R1204A	ø11.7	ø7.0	4.0	
R1205	ø12.0	ø11.0	5.0	
R1302A	ø12.7	ø11.7	2.0	
R1303	ø12.6	ø10.0	3.5	
R1304	ø12.7	ø11.5	4.0	
R1305	ø12.7	ø10.6	4.7	
R1306	ø12.7	ø10.0	6.2	1000
R1307A	ø12.7	ø10.1	7.35	
R1511	ø15.0	ø13.5	11.0	500
R1904	ø19.0	ø15.5	4.2	
R1907	ø19.0	ø17.0	7.0	



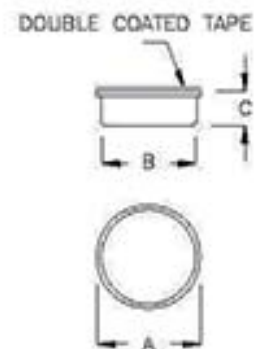
墊座 SILICONE RUBBER FOOT



MATERIAL: SILICONE
 COLOR: BLACK
 ADHESIVE TAPE:
 3M, or EQUIVALENT
 *ACCEPTABLE FOR
 CUSTOMIZED REQUEST

◎ 我司可接受特別尺寸訂購

PART NO	A	B	C	PACKAGE
R0401D	ø4.5	ø4.0	1.7	2000
R0402DK	ø4.5	ø4.0	2.5	
R0404	ø4.0	ø3.7	4.5	
R0502KM	ø5.0	ø4.7	2.0	
R0502LK	ø5.5	ø5.2	2.2	
R0504	ø5.8	ø5.4	4.0	
R0603C	ø6.8	ø6.6	3.1	
R0603H	ø6.0	ø5.5	3.0	1280
R0605	ø6.0	ø5.7	5.2	
R0703C	ø7.0	ø6.8	3.2	2000
R0704K	ø7.0	ø6.5	4.0	
R0705A	ø7.0	ø6.7	4.6	
R0801LM	ø8.0	ø7.4	1.8	
R0802PQ	ø8.0	ø7.5	2.0	
R0803GQ	ø8.0	ø7.5	3.0	2000
R0803HD	ø8.0	ø7.5	2.6	
R0803MK	ø8.0	ø7.7	3.5	
R0804	ø8.0	ø7.8	3.7	
R0804A	ø8.0	ø7.8	4.5	1000
R0804F	ø8.5	ø8.0	4.0	2000
R0903S	ø9.4	ø9.0	3.2	
R0910A	ø9.0	ø8.8	10.2	500
R1004	ø9.7	ø9.4	4.2	2000
R1004C	ø10.5	ø10.5	4.5	500
R1005D	ø10.0	ø9.5	5.5	1000
R1008A	ø10.0	ø9.8	9.4	500
R1011	ø10.0	ø9.0	11.5	
R1502C	ø15.0	ø14.8	2.0	
R1505	ø15.4	ø14.9	5.1	
R1507	ø15.0	ø14.3	7.0	
R2210	ø22.0	ø21.7	10.4	



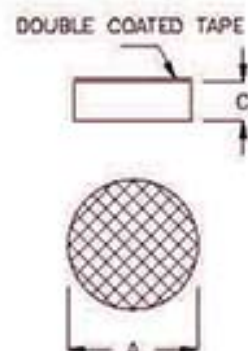
9-10-1



墊座 SILICONE RUBBER FOOT

MATERIAL: SILICONE
 COLOR: BLACK
 ADHESIVE TAPE: 3M or EQUIVALENT

PART NO	A	C	PACKAGE
RX0902	ø9.0	2.0	2000
RX1003	ø10.0	3.0	
RX1202	ø12.5	2.0	1000
RX1203	ø12.0	3.0	2000
RX1502	ø15.0	2.0	1000
RX2503	ø25.0	3.0	



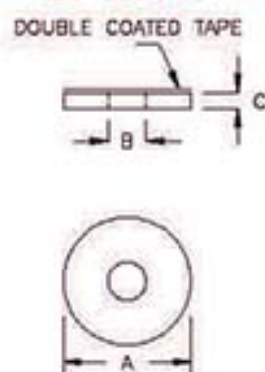
9-10-2



墊座 SILICONE RUBBER FOOT

MATERIAL: SILICONE
 COLOR: BLACK
 ADHESIVE TAPE: 3M or EQUIVALENT

PART NO	A	B	C	PACKAGE
CO60301	ø6.0	ø3.0	1.0	2000
CO60302	ø6.0	ø3.0	2.0	
CO70301	ø7.0	ø3.0	1.0	
CO80401C	ø8.0	ø4.7	0.9	
CO90202A	ø9.0	ø2.5	2.5	
C100501	ø10.0	ø5.0	1.0	
C120206	ø12.0	ø6.0	2.5	1000
C190603	ø18.9	ø5.6	2.54	
C311303	ø31.5	ø13.0	3.0	



9-10-3

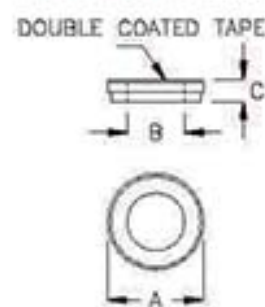


墊座 SILICONE RUBBER FOOT

MATERIAL: SILICONE
 COLOR: BLACK
 ADHESIVE TAPE: 3M or EQUIVALENT

NEW

PART NO	A	B	C	PACKAGE
★ WRX-3C	ø5.0	ø3.0	1.0	2000



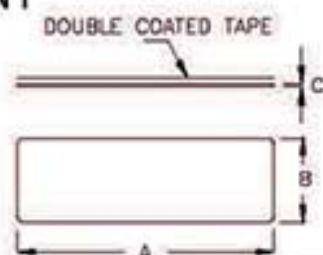
9-10-4



墊座 SILICONE RUBBER FOOT

MATERIAL: SILICONE
 COLOR: BLACK
 ADHESIVE TAPE: 3M or EQUIVALENT

PART NO	A	B	C	PACKAGE
L1193901M	119.0	39.0	0.5	500



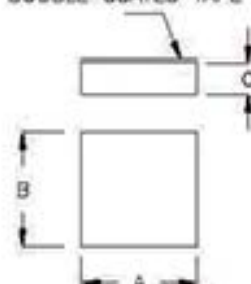
墊座 SILICONE RUBBER FOOT



MATERIAL: SILICONE
COLOR: BLACK
ADHESIVE TAPE:
3M, or EQUIVALENT
***ACCEPTABLE FOR**
CUSTOMIZED REQUEST

◎ 我司可接受特別尺寸訂購

DOUBLE COATED TAPE



PART NO	A	B	C	PACKAGE
L040401	4.0	4.0	1.0	2000
L040402	4.0	4.0	2.0	
L040402A	4.0	4.0	2.5	
L040403	4.0	4.0	3.0	
L040404	4.0	4.0	4.0	
L050302	5.0	3.0	2.5	
L050501KM	5.0	5.0	1.0	
L050502	5.0	5.0	2.0	
L050502C	5.0	5.0	2.5	
L050503	5.0	5.0	3.0	
L050504	5.0	5.0	4.0	
L050506	5.0	5.0	6.5	
L060201C	6.0	2.0	1.5	
L060602D	6.0	6.0	2.0	
L060602A	6.0	6.0	2.5	
L060603	6.0	6.0	3.0	
L060604	6.0	6.0	4.0	
L070707	6.5	6.5	6.5	
L080202C	8.0	2.5	2.2	
L080203	8.0	2.5	3.0	
L080403	8.0	4.0	3.5	
L080405	8.0	4.0	5.0	
L080602A	8.0	6.0	2.3	
L080802	8.0	8.0	2.5	
L080803	8.0	8.0	3.5	
L080804	8.0	8.0	4.0	
L080805	8.0	8.0	5.0	
L080806	8.0	8.0	6.0	
L080809	8.0	8.0	9.0	
L080811	8.0	8.0	11.5	
L100502A	10.0	5.0	2.5	
L100503A	10.0	5.0	3.5	
L100505	10.0	5.0	5.0	
L100705	10.0	7.0	5.0	
L100801A	10.0	8.0	1.8	
L100802	10.0	8.0	2.5	
L100805	10.0	8.0	5.0	
L101001	10.0	10.0	1.0	
L101002	10.0	10.0	2.5	
L101003A	10.0	10.0	3.0	

PART NO	A	B	C	PACKAGE
L101003	10.0	10.0	3.5	2000
L101004	10.0	10.0	4.0	
L101004A	10.0	10.0	4.6	
L101005	10.0	10.0	5.0	
L120802	12.0	8.0	2.5	
L120803	12.0	8.0	3.5	
L121003	12.0	10.0	3.5	
L121202	12.0	12.0	2.5	
L121203	12.0	12.0	3.5	
L121204	12.0	12.0	4.0	
L121205	12.0	12.0	5.0	
L150508	15.0	5.0	0.8	
L150603	15.0	6.0	3.0	
L150803	15.0	8.0	3.0	
L151005	15.0	10.0	5.0	
L160805	16.0	8.0	5.0	
L180802	18.0	8.0	2.5	
L180803	18.0	8.0	3.5	
L180804	18.0	8.0	4.0	
L180805	18.0	8.0	5.0	
L181003	18.0	10.0	3.5	
L181004	18.0	10.0	4.0	
L181005	18.0	10.0	5.0	
L181202	18.0	12.0	2.5	
L181204	18.0	12.0	4.0	
L181205	18.0	12.0	5.0	
L181802	18.0	18.0	2.5	
L181803	18.0	18.0	3.5	
L181804	18.0	18.0	4.0	
L181805	18.0	18.0	5.0	
L201002S	20.0	10.0	2.5	1000
L201008	20.0	10.0	8.0	
L251501	25.0	15.0	1.5	500
L281901M	28.5	19.0	0.5	
L303008	30.0	30.0	8.0	
L351002	35.0	10.0	2.3	
L400602A	40.0	6.4	2.0	
L454504	45.0	45.0	4.0	
L602005	60.0	20.0	5.0	
L18004003	180.0	40.0	3.0	
L3300702A	330.8	7.2	2.0	

PINGOOD

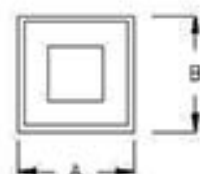
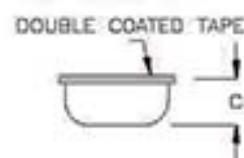
9-12-1



墊座 SILICONE RUBBER FOOT

MATERIAL: SILICONE
COLOR: BLACK
ADHESIVE TAPE: 3M or EQUIVALENT

PART NO	A	B	C	PACKAGE
Q202008	20.4	20.4	8.0	2000
Q381015C	38.0	10.5	14.5	500
Q381410C	38.0	14.5	10.5	



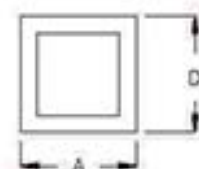
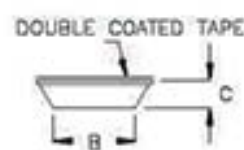
9-12-2



墊座 SILICONE RUBBER FOOT

MATERIAL: SILICONE
COLOR: BLACK
ADHESIVE TAPE: 3M or EQUIVALENT

PART NO	A	B	C	D	PACKAGE
T110803	10.5	8.0	3.0	10.5	2000
T130706	12.7	6.8	6.0	12.7	
T130903	12.7	9.0	3.0	12.7	
T131003	12.7	10.0	3.1	12.7	
T202023	20.0	17.8	23.0	20.0	500
T211308	20.5	12.3	7.6	20.5	



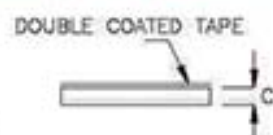
9-12-3



墊座 SILICONE RUBBER FOOT

MATERIAL: SILICONE
COLOR: BLACK
ADHESIVE TAPE: 3M or EQUIVALENT

PART NO	A	B	C	PACKAGE
GLQ-2K	18.4	6.4	2.0	2000
GLQ-12	12.0	4.5	1.2	
GLQ-16	16.0	8.0	2.0	
GLQ-18A	16.0	8.0	2.5	



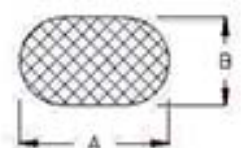
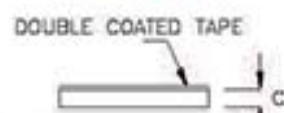
9-12-4



墊座 SILICONE RUBBER FOOT

MATERIAL: SILICONE
COLOR: BLACK
ADHESIVE TAPE: 3M or EQUIVALENT

PART NO	A	B	C	PACKAGE
GLQ-19	19.4	7.4	1.2	2000



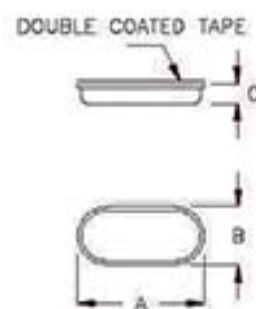
9-13-1

墊座 SILICONE RUBBER FOOT



MATERIAL: SILICONE
COLOR: BLACK
ADHESIVE TAPE: 3M or EQUIVALENT

PART NO	A	B	C	PACKAGE
GLQ-3K	13.1	6.1	3.5	2000
GLQ-13	13.0	6.0	2.0	



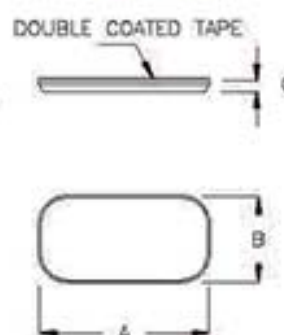
9-13-2

墊座 SILICONE RUBBER FOOT



MATERIAL: SILICONE
COLOR: BLACK
ADHESIVE TAPE: 3M or EQUIVALENT

PART NO	A	B	C	PACKAGE
GLQ-2J	41.5	22.1	2.5	500



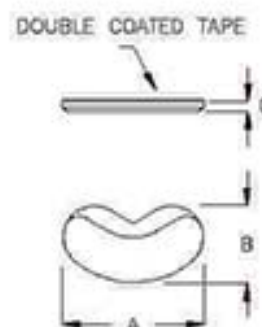
9-13-3

墊座 SILICONE RUBBER FOOT



MATERIAL: SILICONE
COLOR: BLACK
ADHESIVE TAPE: 3M or EQUIVALENT

PART NO	A	B	C	PACKAGE
GLC-2A	37.05	20.5	2.5	1000



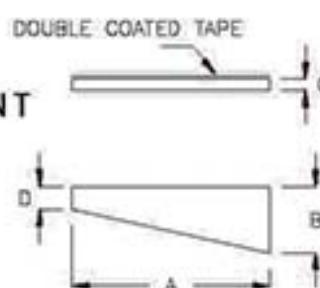
9-13-4

墊座 SILICONE RUBBER FOOT



MATERIAL: SILICONE
COLOR: BLACK
ADHESIVE TAPE: 3M or EQUIVALENT

PART NO	A	B	C	D	PACKAGE
GTT-45	45.0	15.0	2.5	5.0	2000



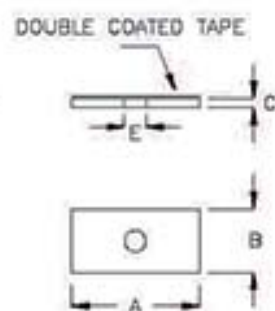
9-14-1

墊座 SILICONE RUBBER FOOT



MATERIAL: SILICONE
 COLOR: BLACK
 ADHESIVE TAPE: 3M or EQUIVALENT

PART NO.	A	B	C	E	PACKAGE
GXA-01	20.0	10.0	1.5	φ3.5	2000



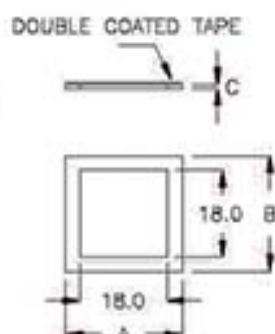
9-14-2

墊座 SILICONE RUBBER FOOT



MATERIAL: SILICONE
 COLOR: BLACK
 ADHESIVE TAPE: 3M or EQUIVALENT

PART NO.	A	B	C	D	PACKAGE
GSP-24	24.0	24.0	0.6	18.0	500



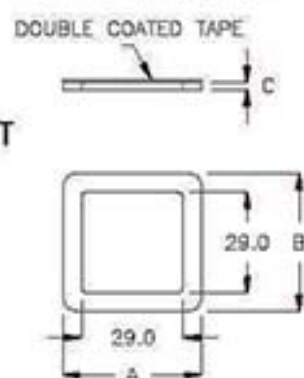
9-14-3

墊座 SILICONE RUBBER FOOT



MATERIAL: SILICONE
 COLOR: BLACK
 ADHESIVE TAPE: 3M or EQUIVALENT

PART NO.	A	B	C	PACKAGE
LDA-3901XB	39.6	39.6	1.9	400



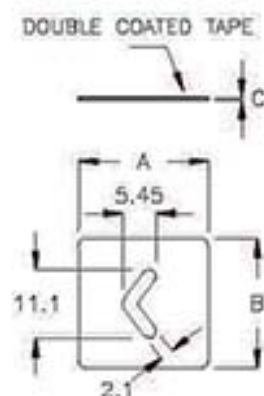
9-14-4

墊座 SILICONE RUBBER FOOT



MATERIAL: SILICONE
 COLOR: BLUE
 ADHESIVE TAPE: 3M or EQUIVALENT

PART NO.	A	B	C	PACKAGE
GLD-21	21.0	21.0	0.5	500





拉柄 ▲

CIRCUIT BOARD EJECTOR

拉柄 CIRCUIT BOARD EJECTOR

PINGOOD

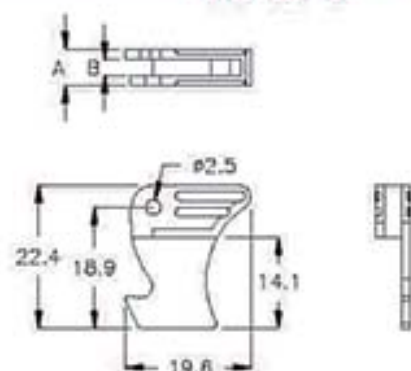
10-2-1



把手蓋 EJECTOR COVER

MATERIAL: ABS+PC
FLAME CLASS: 94V-0
COLOR: ORANGE

PART NO	A	B	PACKAGE
MKL-01	5.6	2.6	500



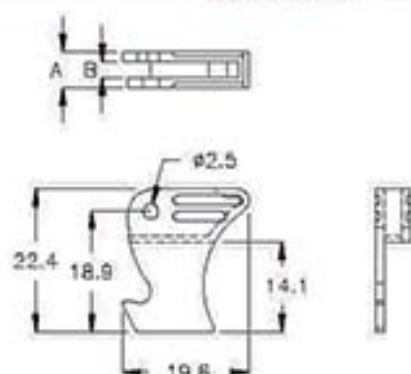
10-2-2



把手蓋 EJECTOR COVER

MATERIAL: ABS+PC
FLAME CLASS: 94V-0
COLOR: BLACK

PART NO	A	B	PACKAGE
MKL-2A	5.6	2.6	500



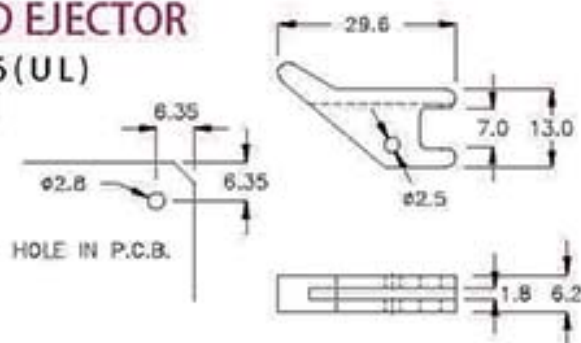
10-2-3



拉柄 CIRCUIT BOARD EJECTOR

MATERIAL: NYLON 66(UL)
FLAME CLASS: 94V-2
COLOR: NATURAL
*WITH PIN
附PIN

PART NO	PACKAGE
CP-10	200



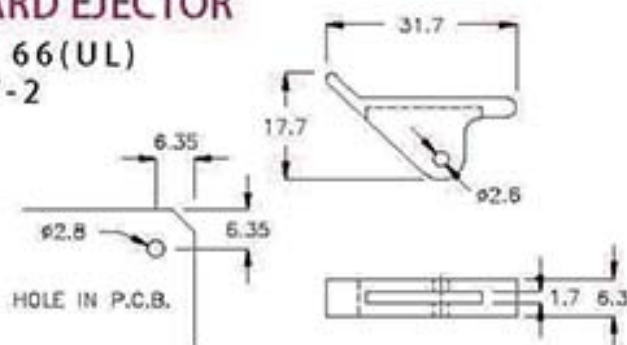
10-2-4



拉柄 CIRCUIT BOARD EJECTOR

MATERIAL: NYLON 66(UL)
FLAME CLASS: 94V-2
COLOR: NATURAL
*WITH PIN
附PIN

PART NO	PACKAGE
CP-15	200



拉柄 CIRCUIT BOARD EJECTOR

PINGOOD

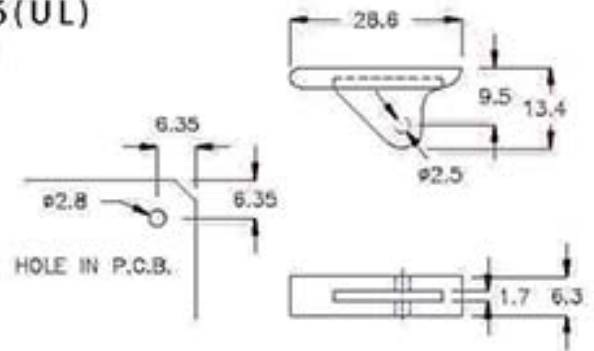
10-3-1

拉柄 CIRCUIT BOARD EJECTOR



MATERIAL: NYLON 66(UL)
 FLAME CLASS: 94V-2
 COLOR: NATURAL
 *WITH PIN
 附PIN

PART NO.	PACKAGE
CP-20	200



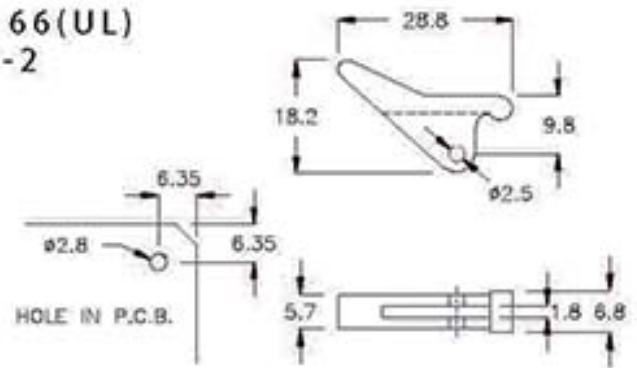
10-3-2

拉柄 CIRCUIT BOARD EJECTOR



MATERIAL: NYLON 66(UL)
 FLAME CLASS: 94V-2
 COLOR: NATURAL
 *WITH PIN
 附PIN

PART NO.	PACKAGE
CP-25	200



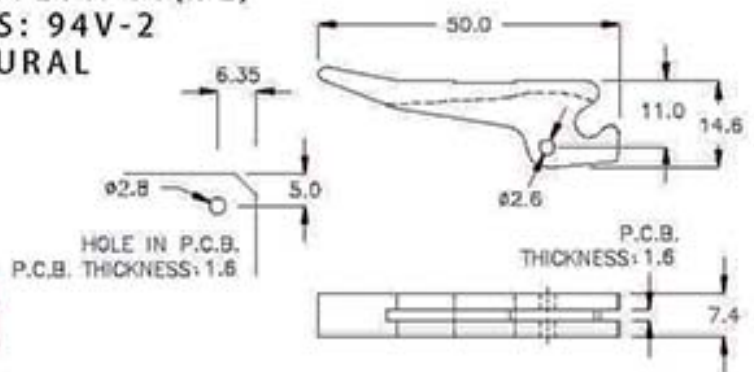
10-3-3

拉柄 CIRCUIT BOARD EJECTOR



MATERIAL: NYLON 66(UL)
 FLAME CLASS: 94V-2
 COLOR: NATURAL
 *WITH PIN
 附PIN

PART NO.	PACKAGE
CP-30	200



拉柄 CIRCUIT BOARD EJECTOR

PINGOOD

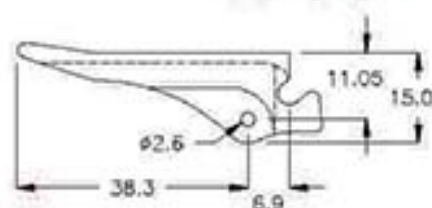
10-4-1

拉柄 CIRCUIT BOARD EJECTOR



MATERIAL: NYLON 66(UL)
FLAME CLASS: 94V-2
COLOR: NATURAL
*WITH PIN
附PIN

PART NO.	PACKAGE
CP-31	200



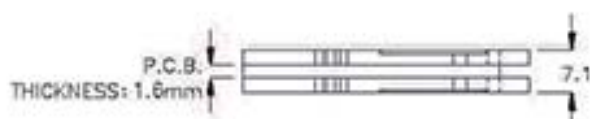
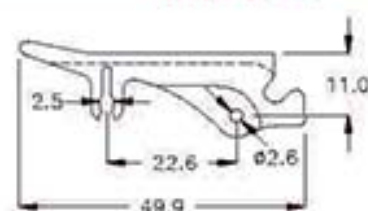
10-4-2

拉柄 CIRCUIT BOARD EJECTOR



MATERIAL: NYLON 66(UL)
FLAME CLASS: 94V-2
COLOR: NATURAL
*WITH PIN
附PIN

PART NO.	PACKAGE
CP-31C	200



10-4-3

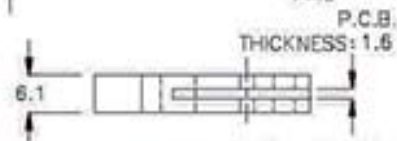
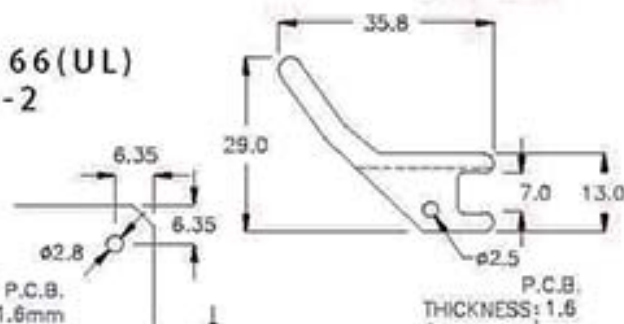
拉柄 CIRCUIT BOARD EJECTOR



MATERIAL: NYLON 66(UL)
FLAME CLASS: 94V-2
COLOR: NATURAL
*WITH PIN
附PIN

PART NO.	PACKAGE
CP-32	200

HOLE IN P.C.B.
P.C.B. THICKNESS: 1.6mm



10-4-4

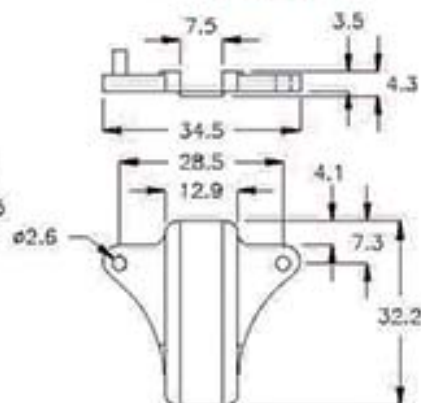
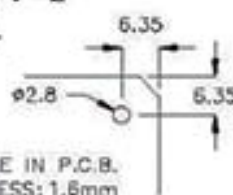
拉柄 CIRCUIT BOARD EJECTOR



MATERIAL: NYLON 66(UL)
FLAME CLASS: 94V-2
COLOR: NATURAL

PART NO.	PACKAGE
CP-33	500

HOLE IN P.C.B.
P.C.B. THICKNESS: 1.6mm



拉柄CIRCUIT BOARD EJECTOR

PINGOOD

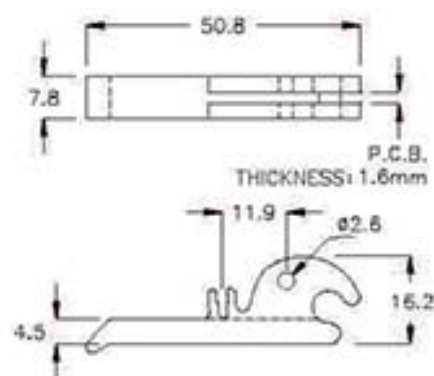
10-5-1

拉柄 CIRCUIT BOARD EJECTOR



MATERIAL: NYLON 66(UL)
 FLAME CLASS: 94V-2
 COLOR: NATURAL
 *WITH PIN
 附PIN

PART NO	PACKAGE
CP-034	200



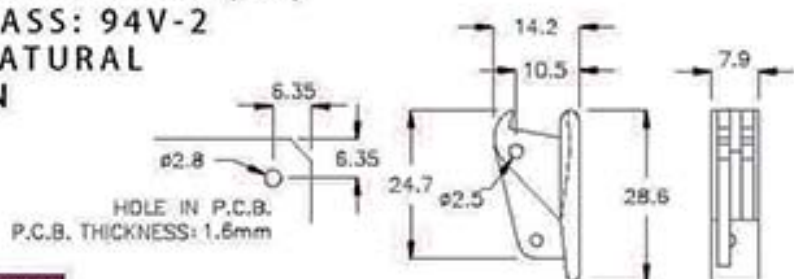
10-5-2

拉柄 CIRCUIT BOARD EJECTOR



MATERIAL: NYLON 66(UL)
 FLAME CLASS: 94V-2
 COLOR: NATURAL
 *WITH PIN
 附PIN

PART NO	PACKAGE
CP-35	200



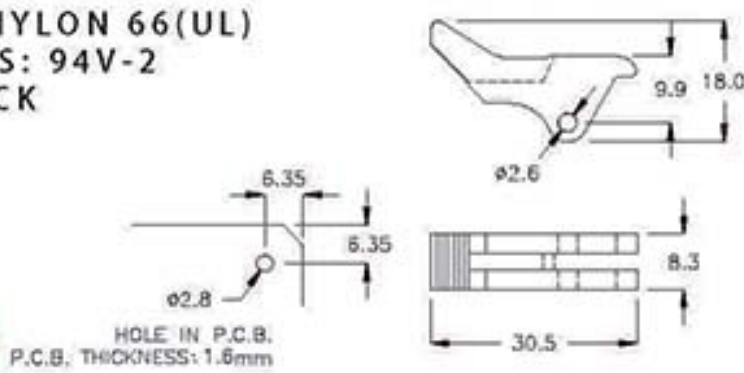
10-5-3

拉柄 CIRCUIT BOARD EJECTOR



MATERIAL: NYLON 66(UL)
 FLAME CLASS: 94V-2
 COLOR: BLACK
 *WITH PIN
 附PIN

PART NO	PACKAGE
CP-36	200



拉柄 CIRCUIT BOARD EJECTOR

PINGOOD

10-6-1

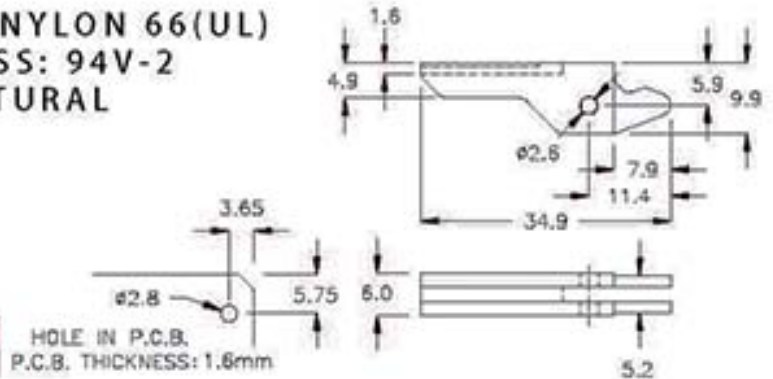
拉柄 CIRCUIT BOARD EJECTOR



MATERIAL: NYLON 66(UL)
 FLAME CLASS: 94V-2
 COLOR: NATURAL
 *WITH PIN
 附PIN

PART NO	PACKAGE
CP-37	200

HOLE IN P.C.B.
 P.C.B. THICKNESS: 1.6mm



拉柄 CIRCUIT BOARD EJECTOR

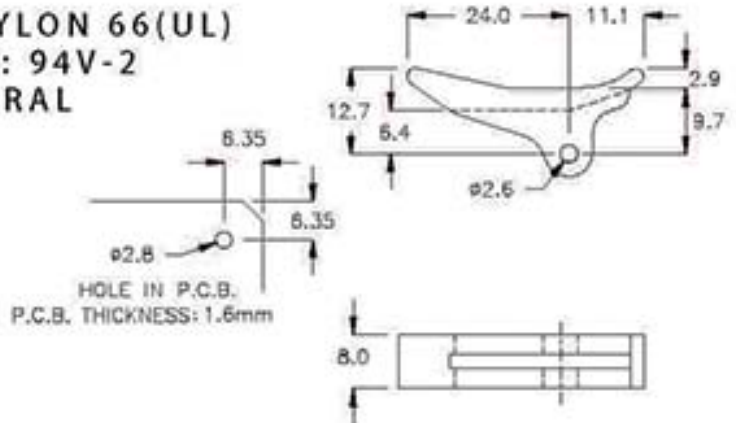
10-6-2



MATERIAL: NYLON 66(UL)
 FLAME CLASS: 94V-2
 COLOR: NATURAL
 *WITH PIN
 附PIN

PART NO	PACKAGE
CP-39	200

HOLE IN P.C.B.
 P.C.B. THICKNESS: 1.6mm



拉柄 CIRCUIT BOARD EJECTOR

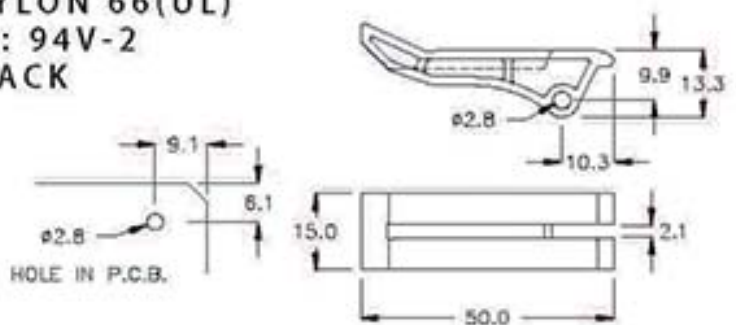
10-6-3



MATERIAL: NYLON 66(UL)
 FLAME CLASS: 94V-2
 COLOR: VVBLACK

PART NO	PACKAGE
CP-50D	200

HOLE IN P.C.B.



拉柄 CIRCUIT BOARD EJECTOR

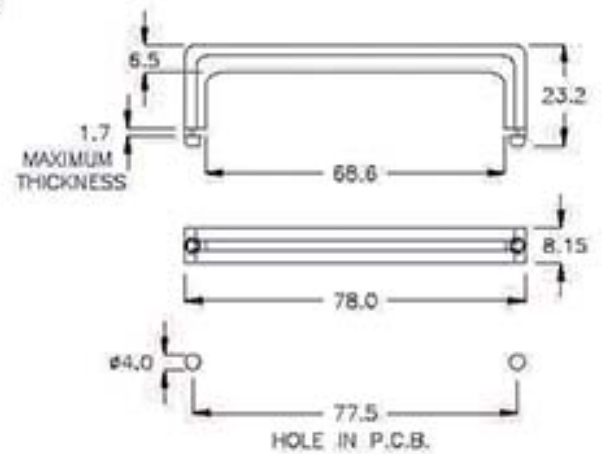
PINGOOD

10-7-1

拉柄 CIRCUIT BOARD EJECTOR (CP-50)



MATERIAL: ABS+PC
FLAME CLASS: 94V-2
COLOR: NATURAL
PACKAGE: 100

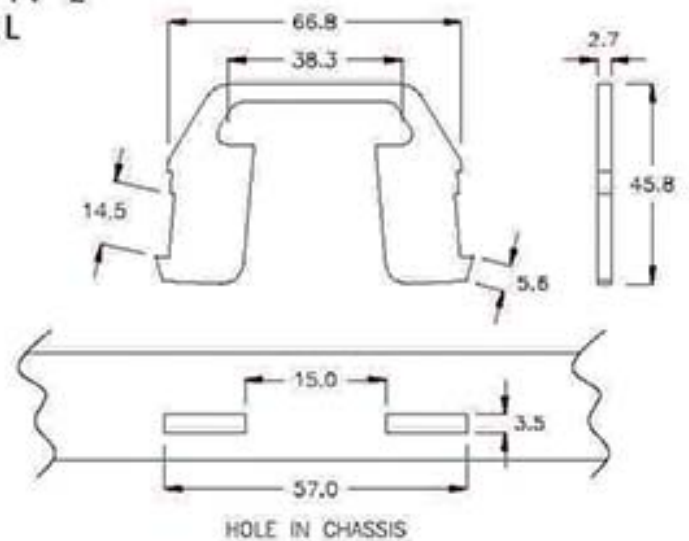


10-7-2

拉柄 CIRCUIT BOARD EJECTOR (CP-60)



MATERIAL: NYLON 66(UL)
FLAME CLASS: 94V-2
COLOR: NATURAL
PACKAGE: 100





導槽 ▲

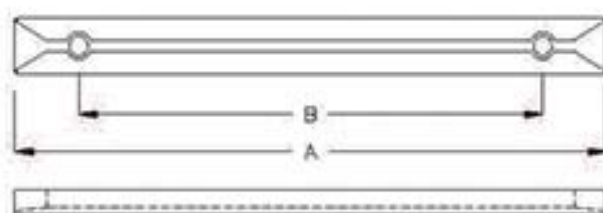
P.C.B GUIDE RAIL

導槽 P.C.B GUIDE RAIL

PINGOOD

11-2-1

印刷電路板導槽 PCB GUIDE RAIL

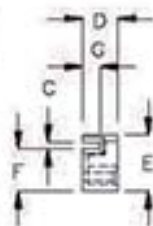
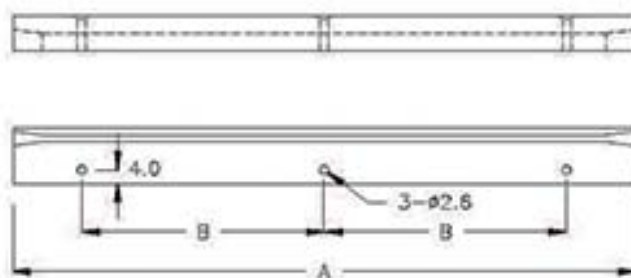


MATERIAL: NYLON 66(UL)
 FLAME CLASS: 94V-2
 COLOR: NATURAL
 MOUNT SCREW:
 M3x6mm FLAT HEAD SCREW

PART NO.	A	B	C	D	E	F	G	PACKAGE
CG-9	89.0	64.5	1.9	4.5	9.8	1.5	3.0	100
CG-9AS	100.0	77.4	2.2	7.2	10.0	1.7	5.5	
CG-9L	91.0	67.0	1.9	8.8	9.2	1.6	7.2	
CG-12	119.0	94.5	1.6	4.5	9.8	1.5	3.0	
CG-12F	119.0	94.5	1.9	4.5	9.8	1.5	3.0	
CG-14	138.8	114.5	1.9	4.3	9.7	1.5	2.8	
CG-16	158.7	135.0	1.9	4.3	9.7	1.5	2.8	
CG-18	180.0	150.0	3.5	9.0	12.0	3.0	6.0	

11-2-2

印刷電路板導槽 PCB GUIDE RAIL

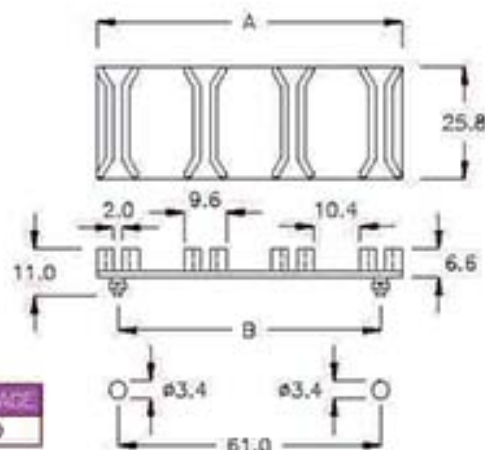


MATERIAL: NYLON 66(UL)
 FLAME CLASS: 94V-2
 COLOR: NATURAL

PART NO.	A	B	C	D	E	F	G	PACKAGE
CF-180	180.5	70.0	2.0	10.0	16.0	12.0	5.0	50

11-2-3

印刷電路板導槽 PCB GUIDE RAIL



MATERIAL: NYLON 66(UL)
 FLAME CLASS: 94V-2
 COLOR: NATURAL
 NO EXTRA SCREW NEEDED

PART NO.	A	B	PACKAGE
CG-2Ax4	70.5	61.0	50

HOLE IN CHASSIS
 MAXIMUM THICKNESS: 1.2mm

導槽 P.C.B GUIDE RAIL

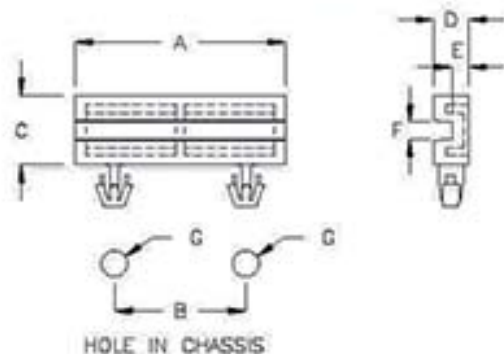
PINGOOD

11-3-1

印刷電路板導槽 PCB GUIDE RAIL



MATERIAL: NYLON 66(UL)
FLAME CLASS: 94V-2
COLOR: NATURAL
NO EXTRA SCREW NEEDED



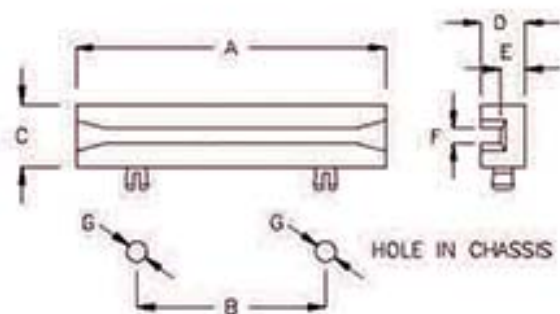
PART NO	A	B	C	D	E	F	G	CHASSIS THICKNESS	PACKAGE
CG-24RM	24.0	15.0	7.8	4.0	1.8	2.0	ø3.0	2.0	500

11-3-2

印刷電路板導槽 PCB GUIDE RAIL



MATERIAL: NYLON 66(UL)
FLAME CLASS: 94V-2
COLOR: NATURAL
NO EXTRA SCREW NEEDED



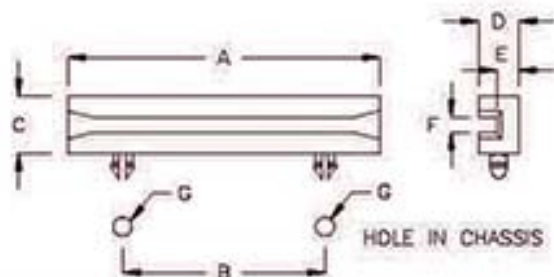
PART NO	A	B	C	D	E	F	G	MAXIMUM THICKNESS	PACKAGE
CG-4A	38.3	20.2	9.3	6.5	3.5	2.3	ø3.0	1.2	500

11-3-3

印刷電路板導槽 PCB GUIDE RAIL



MATERIAL: NYLON 66(UL)
FLAME CLASS: 94V-2
COLOR: NATURAL
NO EXTRA SCREW NEEDED



PART NO	A	B	C	D	E	F	G	MAXIMUM THICKNESS	PACKAGE
CG-04E	38.3	20.0	9.3	6.5	3.5	1.8	ø3.5	1.6	500
CG-04C	38.3	20.2	9.3	6.5	3.5	2.3	ø3.2	1.6	
CG-04H	50.0	40.0	7.0	6.0	3.0	2.0	ø3.2	1.6	200
CG-08C	80.5	60.0	9.4	6.4	3.4	2.3	ø3.2	1.6	
CG-08D	80.5	60.0	8.0	6.0	3.0	2.0	ø3.2	1.6	
CG-08H	80.5	60.0	8.0	6.0	3.0	2.0	ø3.2	2.6	100

導槽 P.C.B GUIDE RAIL

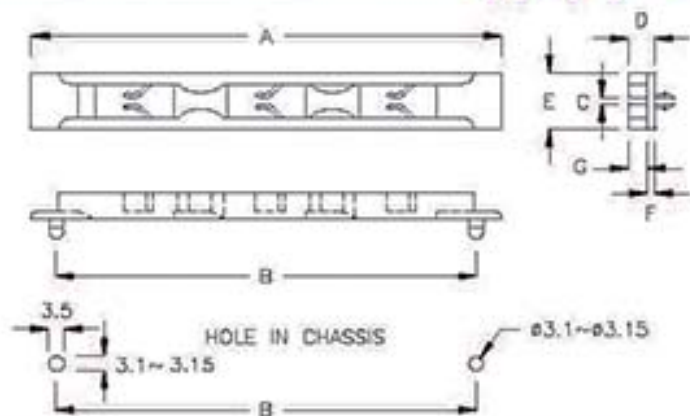
PINGOOD

11-4-1

印刷電路板導槽 PCB GUIDE RAIL



MATERIAL: NYLON 66(UL)
 FLAME CLASS: 94V-2
 COLOR: BLACK
 NO EXTRA SCREW NEEDED



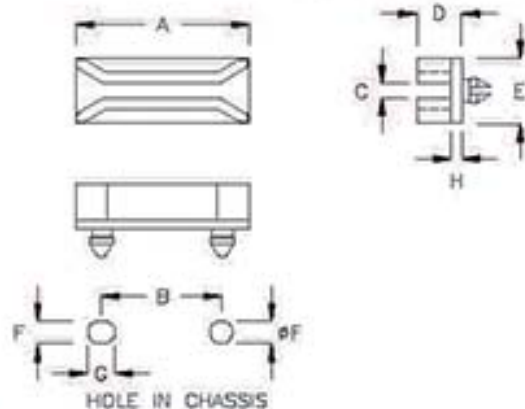
PART NO	A	B	C	D	E	F	G	MAXIMUM THICKNESS	PACKAGE
CG-10B	102.8	91.9	1.1	5.6	11.9	1.7	3.9	2.3	100

11-4-2

印刷電路板導槽 PCB GUIDE RAIL



MATERIAL: NYLON 66(UL)
 FLAME CLASS: 94V-2
 COLOR: NATURAL
 NO EXTRA SCREW NEEDED



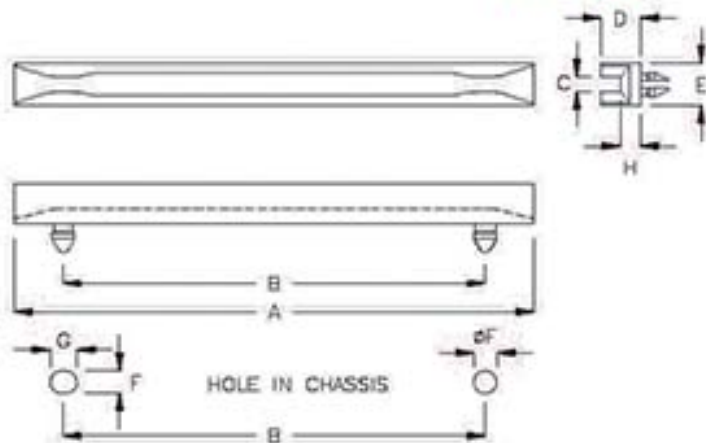
PART NO	A	B	C	D	E	F	G	H	MAXIMUM THICKNESS	PACKAGE
CG-2A	26.0	18.0	1.9	6.8	9.7	3.4	4.0	1.3	1.2	500

11-4-3

印刷電路板導槽 PCB GUIDE RAIL



MATERIAL: NYLON 66(UL)
 FLAME CLASS: 94V-2
 COLOR: BLACK
 NO EXTRA SCREW NEEDED



PART NO	A	B	C	D	E	F	G	H	MAXIMUM THICKNESS	PACKAGE
CG-08A	76.8	62.5	2.2	5.9	6.3	3.4	4.0	3.0	1.0	200

導槽 P.C.B GUIDE RAIL

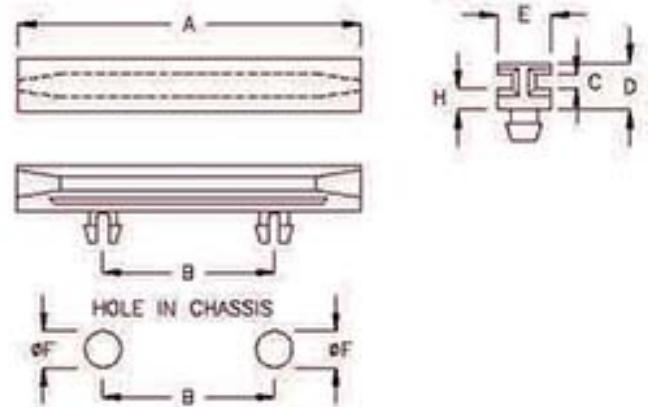
PINGOOD

11-5-1

印刷電路板導槽 PCB GUIDE RAIL



MATERIAL: NYLON 66(UL)
FLAME CLASS: 94V-2
COLOR: NATURAL
NO EXTRA SCREW NEEDED



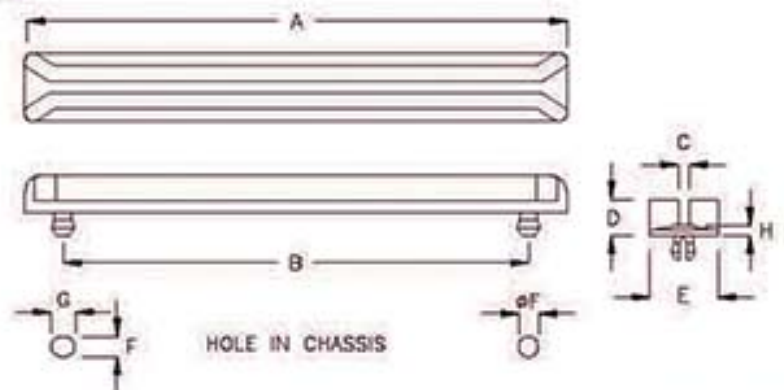
PART NO	A	B	C	D	E	F	H	MAXIMUM THICKNESS	PACKAGE
CG-50	50.8	25.4	2.0	7.0	7.9	4.4	3.2	1.6	200

11-5-2

印刷電路板導槽 PCB GUIDE RAIL



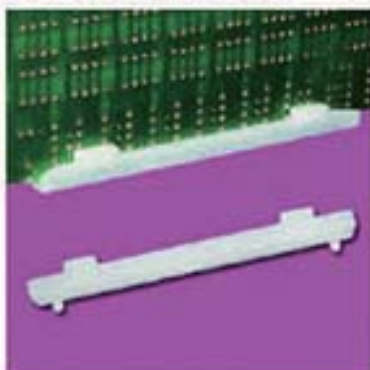
MATERIAL: NYLON 66(UL)
FLAME CLASS: 94V-2
COLOR: NATURAL
NO EXTRA SCREW NEEDED



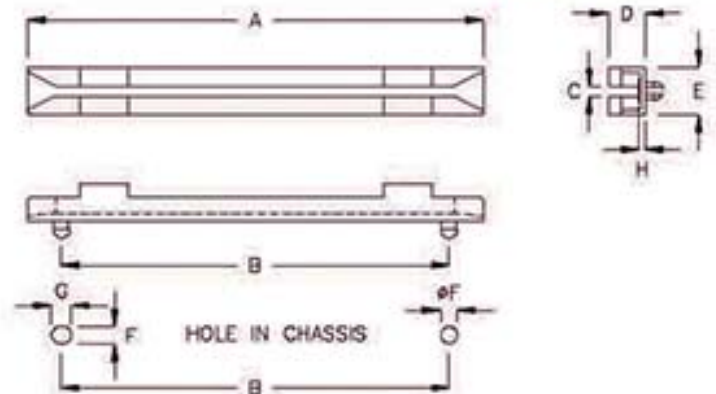
PART NO	A	B	C	D	E	F	G	H	MAXIMUM THICKNESS	PACKAGE
CG-9B	89.2	76.85	1.9	6.0	11.3	3.4	4.0	1.8	1.2	100

11-5-3

印刷電路板導槽 PCB GUIDE RAIL



MATERIAL: NYLON 66(UL)
FLAME CLASS: 94V-2
COLOR: NATURAL
NO EXTRA SCREW NEEDED



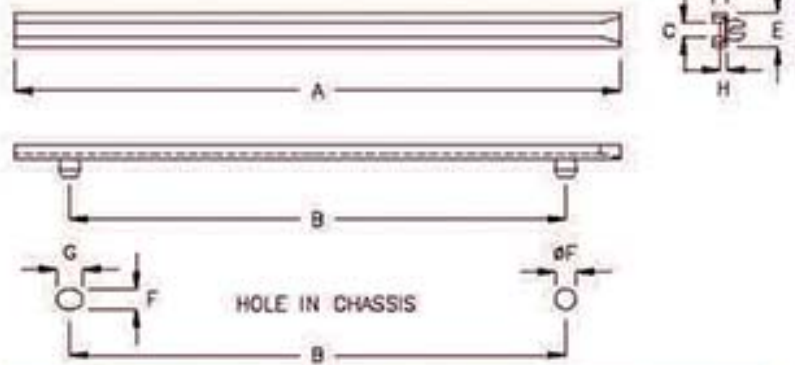
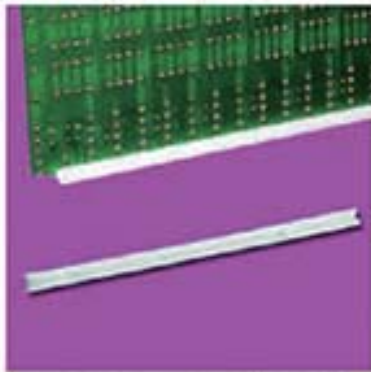
PART NO	A	B	C	D	E	F	G	H	MAXIMUM THICKNESS	PACKAGE
CG-9AW	89.7	76.7	1.9	11.6	9.7	3.4	4.0	1.3	1.2	100
CG-9D	89.7	76.8	1.9	7.1	9.5	3.4	4.0	1.4	1.2	

導槽 P.C.B GUIDE RAIL

PINGOOD

11-6-1

印刷電路板導槽 PCB GUIDE RAIL

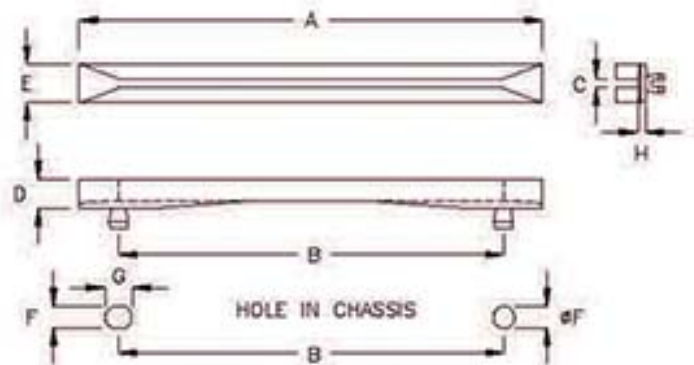


MATERIAL: NYLON 66(UL)
FLAME CLASS: 94V-2
COLOR: NATURAL
NO EXTRA SCREW NEEDED

PART NO	A	B	C	D	E	F	G	H	MAXIMUM THICKNESS	PACKAGE
CG-14C	140.2	114.8	2.0	3.2	8.0	4.8	5.9	1.3	1.2	100
CG-14D	140.2	114.8	3.0	3.2	8.0	4.8	5.9	1.3	1.7	100

11-6-2

印刷電路板導槽 PCB GUIDE RAIL

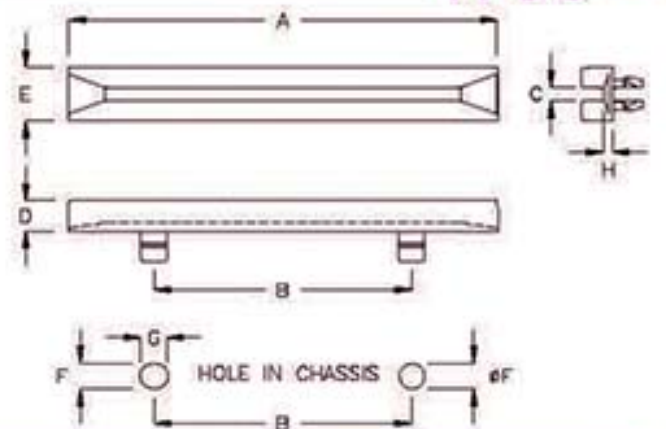
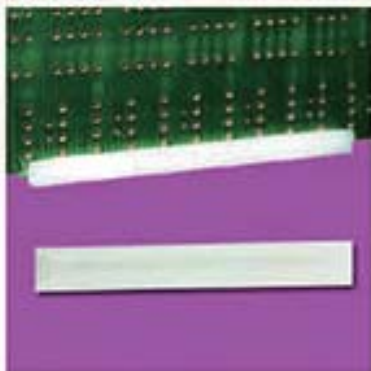


MATERIAL: NYLON 66(UL)
FLAME CLASS: 94V-2
COLOR: NATURAL
NO EXTRA SCREW NEEDED

PART NO	A	B	C	D	E	F	G	H	MAXIMUM THICKNESS	PACKAGE
CG-7B	76.2	63.5	1.9	4.8	6.4	3.2	4.1	0.9	1.3	100

11-6-3

印刷電路板導槽 PCB GUIDE RAIL



MATERIAL: NYLON 66(UL)
FLAME CLASS: 94V-2
COLOR: NATURAL
NO EXTRA SCREW NEEDED

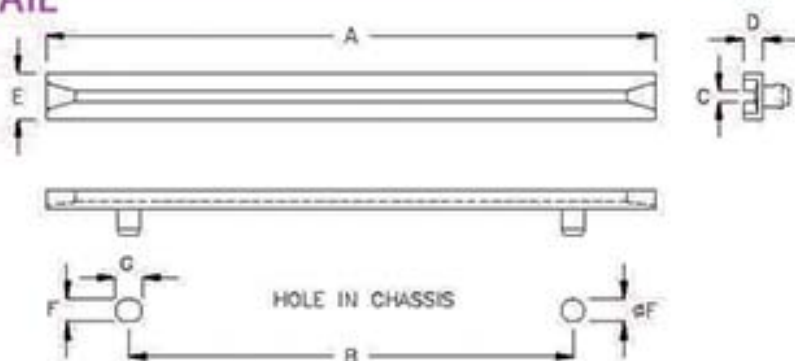
PART NO	A	B	C	D	E	F	G	H	MAXIMUM THICKNESS	PACKAGE
CG-06H	63.5	38.1	1.9	4.5	7.9	4.6	5.0	1.3	1.6	200
CG-6J	63.5	38.1	2.3	2.8	4.6	3.4	4.0	1.0	1.0	
CG-5QT	63.5	38.1	2.3	6.4	6.4	4.0	5.1	1.3	1.0	

導槽 P.C.B GUIDE RAIL

PINGOOD

11-7-1

印刷電路板導槽 PCB GUIDE RAIL

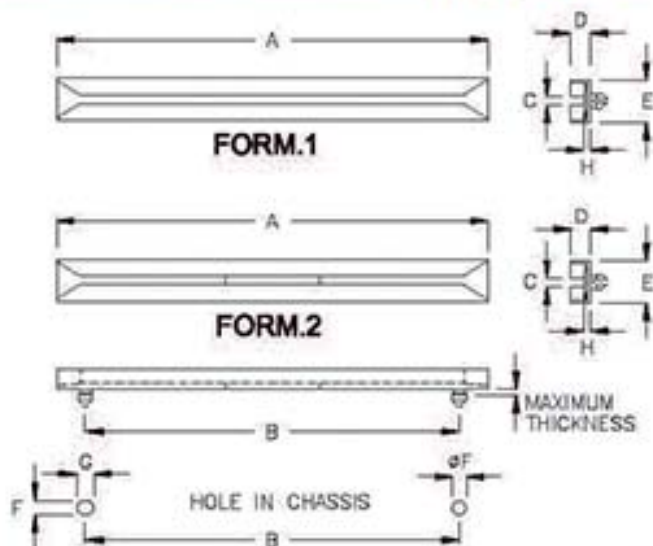


MATERIAL: NYLON 66(UL)
FLAME CLASS: 94V-2
COLOR: NATURAL
NO EXTRA SCREW NEEDED

PART NO	A	B	C	D	E	F	G	MAXIMUM THICKNESS	PACKAGE
CG-10N	101.6	88.9	1.9	4.4	6.4	3.2	4.0	1.1	100
CG-16N	164.1	152.4	2.0	4.4	6.5	3.2	3.9	1.1	

11-7-2

印刷電路板導槽 PCB GUIDE RAIL



MATERIAL: NYLON 66(UL)
FLAME CLASS: 94V-2
COLOR: NATURAL
NO EXTRA SCREW NEEDED

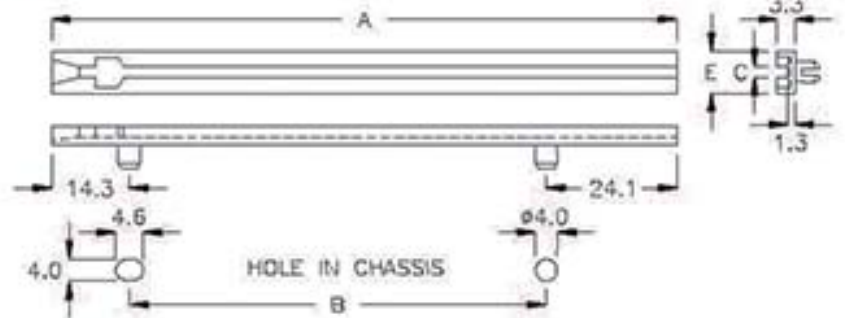
PART NO	A	B	C	D	E	F	G	H	MAXIMUM THICKNESS	FORM	PACKAGE
CG-3A	38.0	25.4	1.9	4.6	9.6	3.4	4.0	1.5	1.2	1	500
CG-5A	50.8	38.0	2.3	4.6	9.6	3.4	4.0	1.5	1.1	1	200
CG-7A	76.6	63.5	2.2	4.6	10.0	3.4	4.0	1.4	1.2	1	100
CG-7C	76.6	63.5	2.1	4.1	10.0	3.4	4.0	1.1	1.2	1	
CG-9A	89.7	76.7	1.9	4.5	8.7	3.4	4.0	1.5	1.2	2	
CG-9F	89.2	76.7	2.3	4.4	6.4	3.4	4.0	1.1	1.2	1	
CG-10A	102.1	89.5	2.2	4.6	6.3	3.4	4.0	1.1	1.2	1	100
CG-10M	100.0	70.0	2.0	4.3	7.5	4.8	6.0	2.3	1.1	1	
CG-10P	100.0	70.0	2.0	4.3	7.5	4.8	6.4	1.5	1.2	1	
CG-12D	114.3	88.9	1.9	8.4	6.4	4.8	5.5	1.3	1.2	1	
CG-13A	127.0	101.6	2.3	4.6	6.4	3.4	4.0	1.1	1.5	1	
CG-13C	110.0	101.6	2.3	4.6	6.4	3.4	4.0	1.1	1.2	1	
CG-14A	138.0	114.5	2.2	4.6	6.3	3.4	4.0	1.1	1.5	1	
CG-15C	153.8	141.6	2.1	4.8	6.5	3.4	4.0	1.4	1.2	1	
CG-18A	181.1	161.3	2.0	4.6	6.5	3.4	4.6	1.2	1.2	1	
CG-19A	191.1	177.0	2.0	5.5	6.4	3.4	4.0	1.8	1.2	1	
CG-21A	217.8	205.0	2.0	4.6	6.6	3.4	4.0	1.2	1.0	1	
CG-21B	218.7	205.0	2.2	7.7	6.6	3.4	4.0	1.3	1.2	1	

導槽 P.C.B GUIDE RAIL

PINGOOD

11-8-1

印刷電路板導槽 PCB GUIDE RAIL

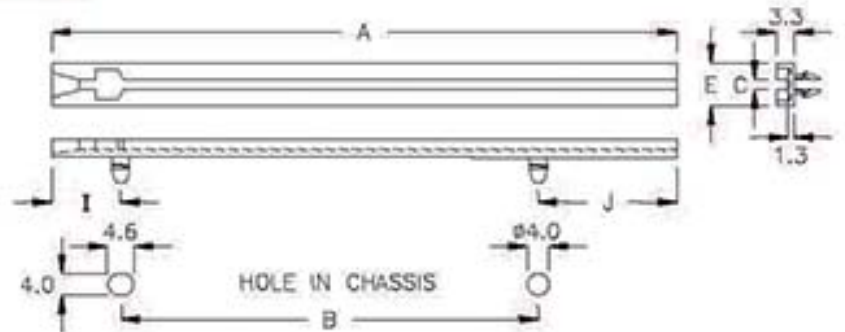
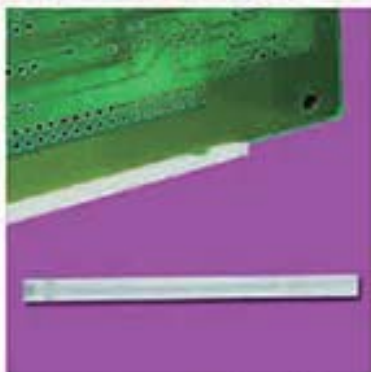


MATERIAL: NYLON 66(UL)
FLAME CLASS: 94V-2
COLOR: NATURAL
NO EXTRA SCREW NEEDED

PART NO	A	B	C	E	MAXIMUM THICKNESS	PACKAGE
CG-11A	115.5	77.1	2.0	7.9	1.2	100

11-8-2

印刷電路板導槽 PCB GUIDE RAIL

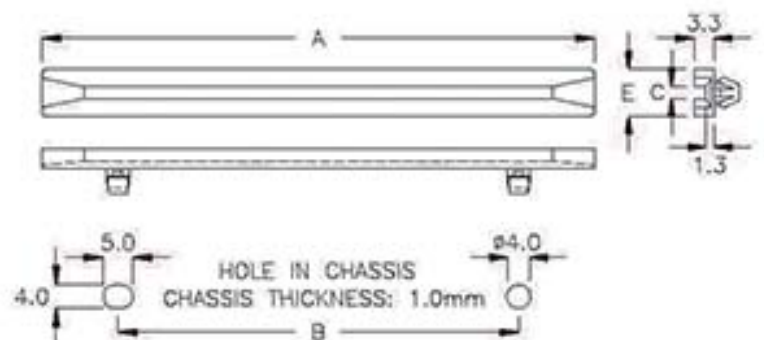


MATERIAL: NYLON 66(UL)
FLAME CLASS: 94V-2
COLOR: NATURAL
NO EXTRA SCREW NEEDED

PART NO	A	B	C	E	I	J	MAXIMUM THICKNESS	PACKAGE
CG-11F	115.5	77.1	1.9	7.9	12.8	25.6	1.4	100
CG-92TK	92.0	67.4	1.9	7.9	12.7	11.9	1.4	

11-8-3

印刷電路板導槽 PCB GUIDE RAIL



MATERIAL: NYLON 66(UL)
FLAME CLASS: 94V-2
COLOR: NATURAL
NO EXTRA SCREW NEEDED

PART NO	A	B	C	E	PACKAGE
CG-92FM	92.8	67.4	1.9	7.9	100

導槽 P.C.B GUIDE RAIL

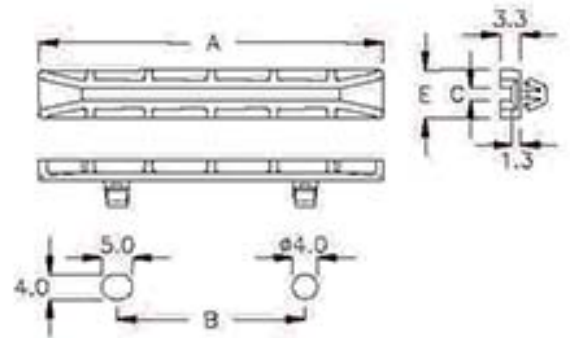
PINGOOD

11-9-1

印刷電路板導槽 PCB GUIDE RAIL



NEW



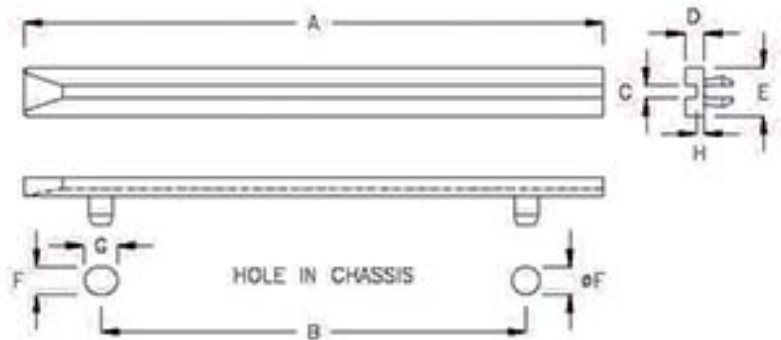
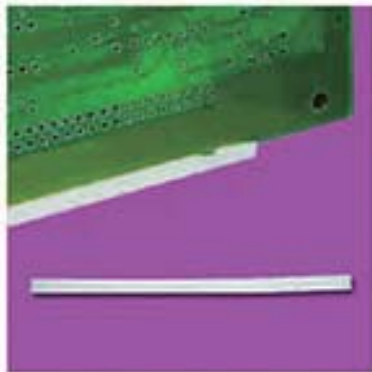
HOLE IN CHASSIS
CHASSIS THICKNESS: 1.0mm

MATERIAL: NYLON 66(UL)
FLAME CLASS: 94V-2
COLOR: NATURAL
NO EXTRA SCREW NEEDED

PART NO	A	B	D	E	PACKAGE
★ CG-56FY	56.0	30.6	2.0	7.8	200

11-9-2

印刷電路板導槽 PCB GUIDE RAIL



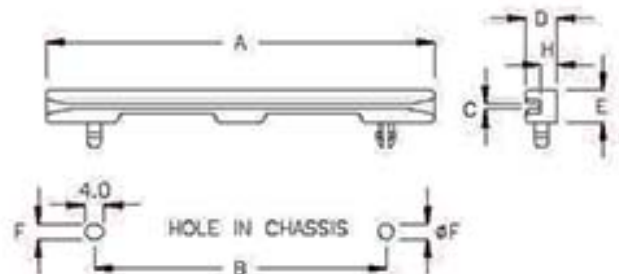
HOLE IN CHASSIS

MATERIAL: NYLON 66(UL)
FLAME CLASS: 94V-2
COLOR: NATURAL
NO EXTRA SCREW NEEDED

PART NO	A	B	C	D	E	F	G	H	MAXIMUM THICKNESS	PACKAGE
CG-20A	203.2	177.8	2.0	3.2	7.9	4.6	5.4	1.3	1.7	100

11-9-3

印刷電路板導槽 PCB GUIDE RAIL



HOLE IN CHASSIS

MATERIAL: NYLON 66(UL)
FLAME CLASS: 94V-2
COLOR: BLACK
NO EXTRA SCREW NEEDED

PART NO	A	B	C	D	E	F	H	MAXIMUM THICKNESS	PACKAGE
CG-08K	80.0	60.0	1.1	6.5	6.7	3.2	3.5	2.0	100

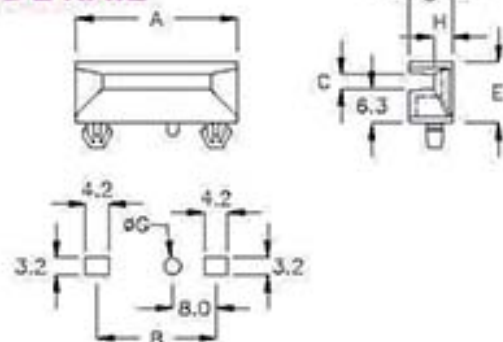
導槽 P.C.B GUIDE RAIL

PINGOOD

11-10-1



印刷電路板導槽 PCB GUIDE RAIL



HOLE IN CHASSIS
CHASSIS THICKNESS: 0.8mm

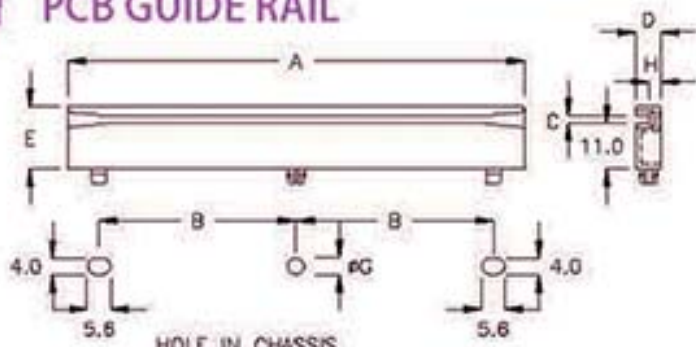
MATERIAL: NYLON 66(UL)
FLAME CLASS: 94V-2
COLOR: NATURAL
NO EXTRA SCREW NEEDED

PART NO	A	B	C	D	E	G	H	PACKAGE
CG-3WX	30.0	22.0	2.7	8.0	11.3	3.0	3.4	500

11-10-2



印刷電路板導槽 PCB GUIDE RAIL



HOLE IN CHASSIS
CHASSIS THICKNESS: 1.2 mm

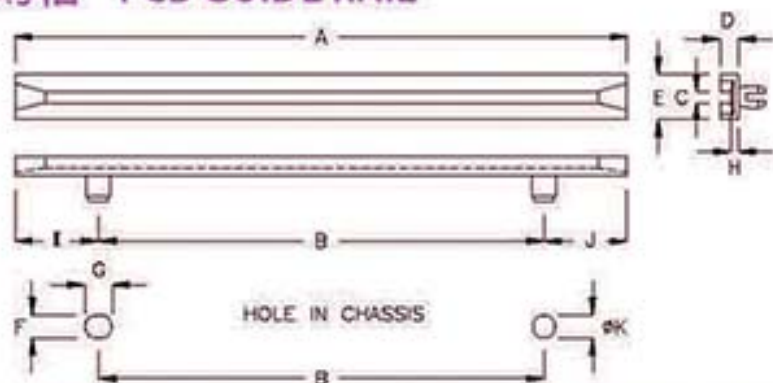
MATERIAL: NYLON 66(UL)
FLAME CLASS: 94V-2
COLOR: BLACK
NO EXTRA SCREW NEEDED

PART NO	A	B	C	D	E	G	H	PACKAGE
CG-11K	110.0	47.5	1.8	6.0	14.9	4.0	2.8	100

11-10-3



印刷電路板導槽 PCB GUIDE RAIL



HOLE IN CHASSIS

MATERIAL: NYLON 66(UL)
FLAME CLASS: 94V-2
COLOR: NATURAL
NO EXTRA SCREW NEEDED

PART NO	A	B	C	D	E	F	G	H	I	J	K	CHASSIS THICKNESS	PACKAGE
CG-45RK	45.0	23.0	1.9	3.3	7.9	4.5	5.1	1.3	11.0	11.0	4.6	1.4~1.6	200
CG-5C	63.5	38.1	2.3	6.4	6.4	4.5	5.1	1.3	12.7	12.7	4.5	1.2~1.6	
CG-6F	63.5	38.1	1.9	4.5	7.9	4.6	5.0	1.3	12.7	12.7	4.6	1.2~1.6	
CG-0BL	88.9	63.5	1.9	4.5	7.9	4.6	5.0	1.3	12.7	12.7	4.6	1.4~1.6	100
CG-88D	88.9	63.5	1.9	3.3	7.9	4.5	5.1	1.3	12.7	12.7	4.6	1.4~1.6	
CG-9AL	89.1	77.4	2.2	7.1	10.0	3.4	4.0	1.6	5.1	5.1	3.4	1.1	

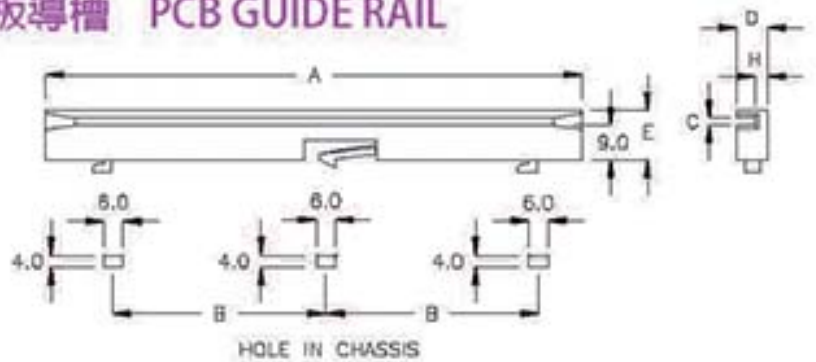
導槽 P.C.B GUIDE RAIL

PINGOOD

11-11-1



印刷電路板導槽 PCB GUIDE RAIL



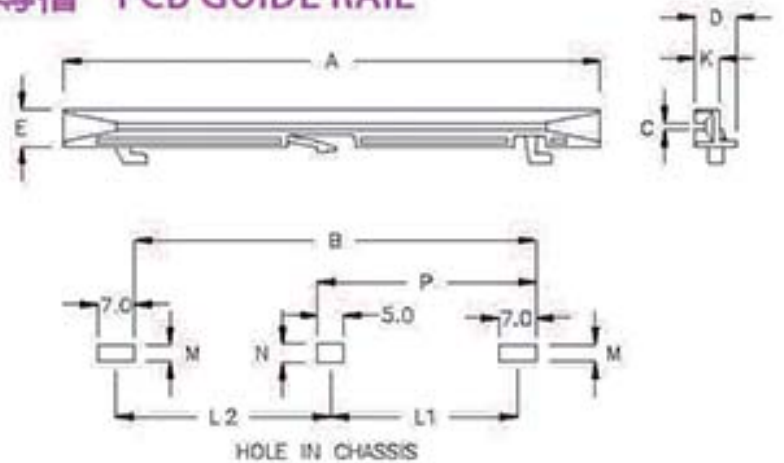
MATERIAL: NYLON 66(UL)
FLAME CLASS: 94V-2
COLOR: BLACK
NO EXTRA SCREW NEEDED

PART NO	A	B	C	D	E	H	MAXIMUM THICKNESS	PACKAGE
CG-16C	190.0	80.0	2.0	6.4	13.1	3.2	1.0	100

11-11-2



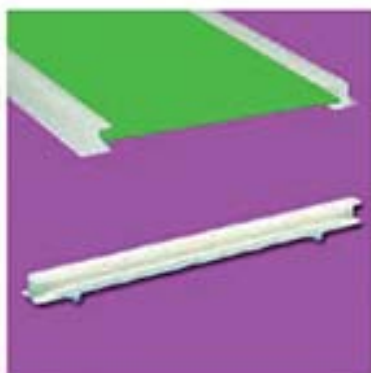
印刷電路板導槽 PCB GUIDE RAIL



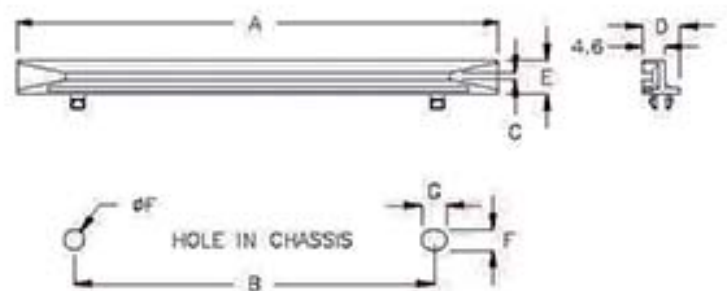
MATERIAL: NYLON 66(UL)
FLAME CLASS: 94V-2
COLOR: NATURAL
NO EXTRA SCREW NEEDED

PART NO	A	B	C	D	E	K	M	N	P	L1	L2	MAXIMUM THICKNESS	PACKAGE
CG-8M	81.0	65.4	2.0	8.0	10.65	6.5	5.65	5.65	33.0	27.0	38.4	1.0	100
CG-10Q	101.6	75.9	1.2	7.9	7.0	4.6	3.3	3.8	41.3	35.3	40.6	1.0	100

11-11-3



印刷電路板導槽 PCB GUIDE RAIL



MATERIAL: NYLON 66(UL)
FLAME CLASS: 94V-2
COLOR: NATURAL
NO EXTRA SCREW NEEDED

PART NO	A	B	C	D	E	F	G	MAXIMUM THICKNESS	PACKAGE
CG-10K	101.6	76.2	1.2	7.9	7.0	4.4	5.4	1.0	100

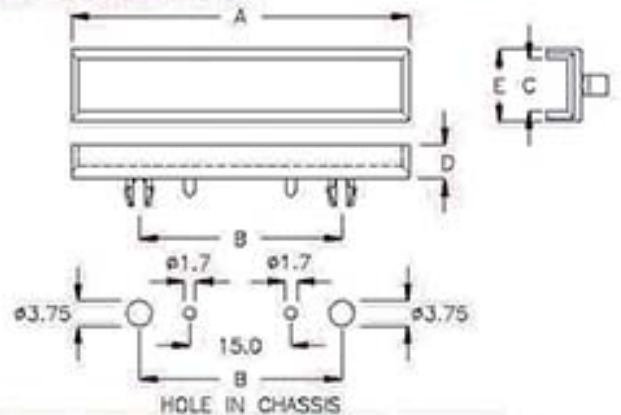
導槽 P.C.B GUIDE RAIL

PINGOOD

11-12-1



印刷電路板導槽 PCB GUIDE RAIL

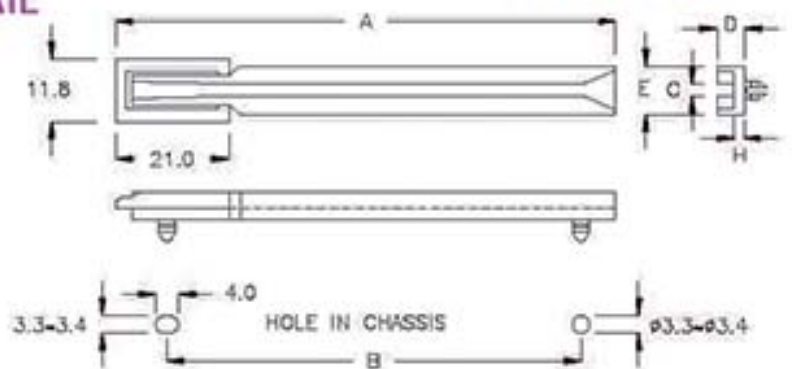
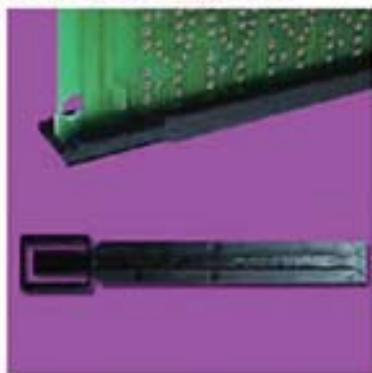


MATERIAL: NYLON 66(UL)
FLAME CLASS: 94V-2
COLOR: NATURAL
NO EXTRA SCREW NEEDED

PART NO	A	B	C	D	E	MAXIMUM THICKNESS	PACKAGE
CG-5K	50.0	30.0	7.75	5.0	10.75	1.0	200

11-12-2

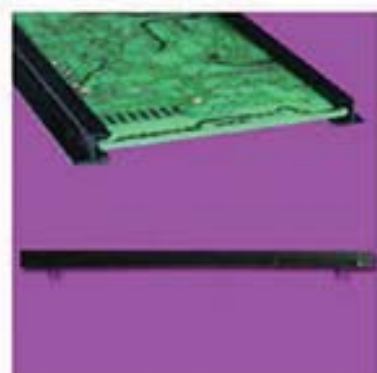
印刷電路板導槽 PCB GUIDE RAIL



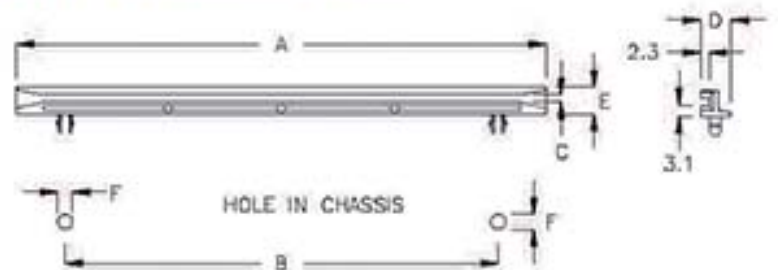
MATERIAL: PC(UL)
FLAME CLASS: 94V-2
COLOR: BLACK
NO EXTRA SCREW NEEDED

PART NO	A	B	C	D	E	H	MAXIMUM THICKNESS	PACKAGE
CG-09H	91.0	76.7	2.2	5.0	9.0	2.0	1.2	100
CG-09J	99.5	76.7	2.2	5.0	9.0	2.0	1.2	
CG-09C	72.6	50.0	1.9	5.0	9.0	2.0	1.0	

11-12-3



印刷電路板導槽 PCB GUIDE RAIL



MATERIAL: NYLON 66(UL)
FLAME CLASS: 94V-2
COLOR: BLACK
NO EXTRA SCREW NEEDED

PART NO	A	B	C	D	E	F	MAXIMUM THICKNESS	PACKAGE
CG-14H	140.0	114.5	1.9	8.0	7.0	4.4	1.5	100

導槽 P.C.B GUIDE RAIL

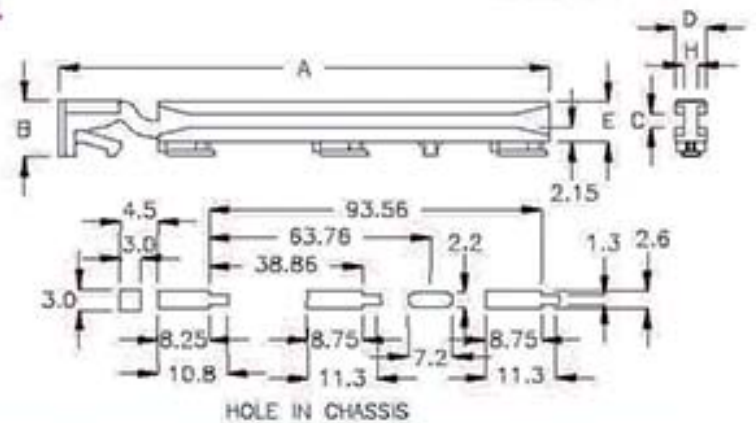
PINGOOD

11-13-1

印刷電路板導槽 PCB GUIDE RAIL



MATERIAL: NYLON 66(UL)
 FLAME CLASS: 94V-0
 COLOR: BLACK
 NO EXTRA SCREW NEEDED



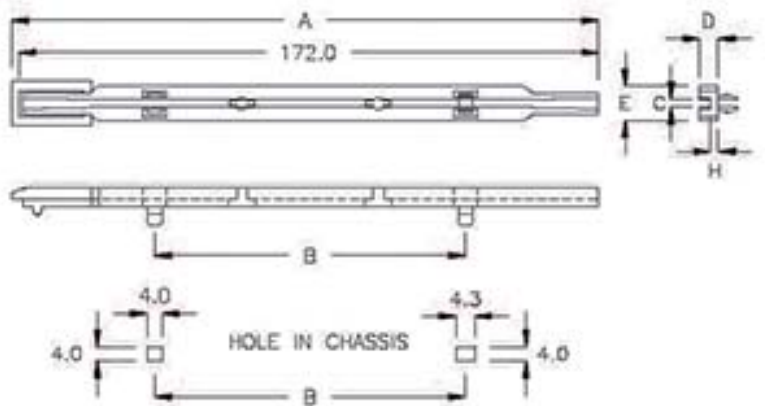
PART NO	A	B	C	D	E	H	MAXIMUM THICKNESS	PACKAGE
CGL-116JS	116.9	8.0	2.0	4.5	5.9	2.1	0.8	100

11-13-2

印刷電路板導槽 PCB GUIDE RAIL



MATERIAL: PC(UL)
 FLAME CLASS: 94V-2
 COLOR: BLACK
 NO EXTRA SCREW NEEDED



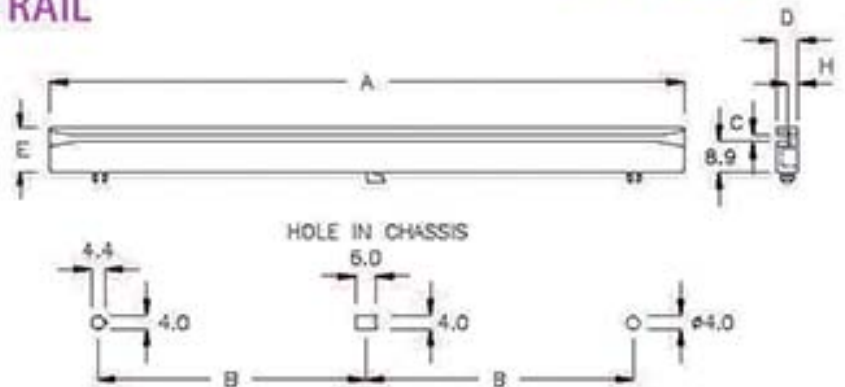
PART NO	A	B	C	D	E	H	MAXIMUM THICKNESS	PACKAGE
CG-17A	175.0	102.0	2.2	5.0	9.0	2.0	1.6	100

11-13-3

印刷電路板導槽 PCB GUIDE RAIL



MATERIAL: NYLON 66(UL)
 FLAME CLASS: 94V-2
 COLOR: BLACK
 NO EXTRA SCREW NEEDED



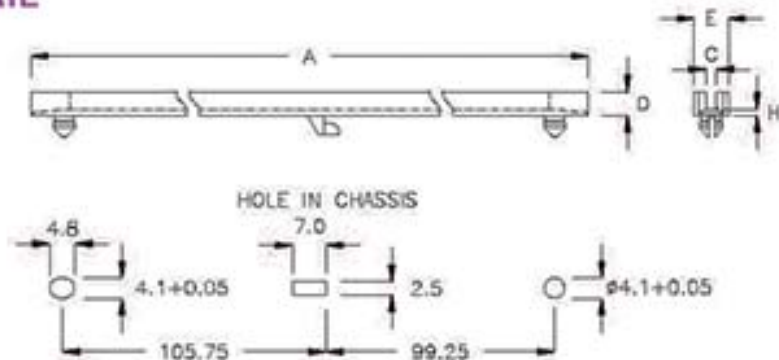
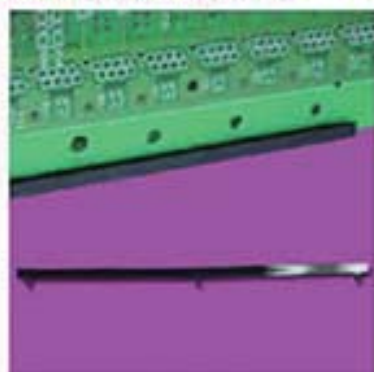
PART NO	A	B	C	D	E	H	MAXIMUM THICKNESS	PACKAGE
CC-19C	190.0	80.0	2.0	6.4	13.1	3.1	1.1	100

導槽 P.C.B GUIDE RAIL

PINGOOD

11-14-1

印刷電路板導槽 PCB GUIDE RAIL

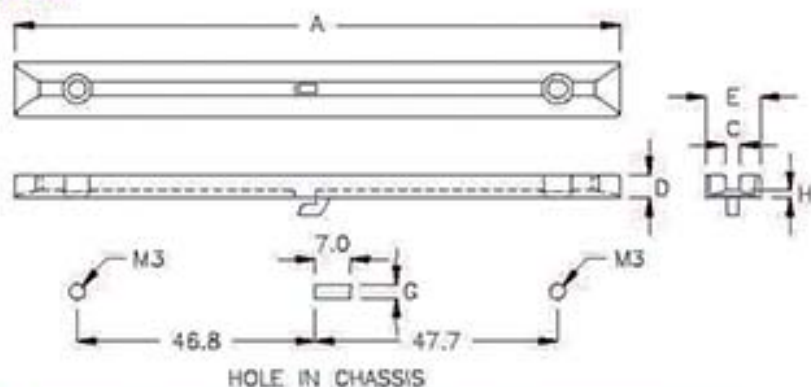


MATERIAL: NYLON 66(UL)
FLAME CLASS: 94V-2
COLOR: BLACK
NO EXTRA SCREW NEEDED

PART NO	A	C	D	E	H	MAXIMUM THICKNESS	PACKAGE
CG-21C	218.0	1.9	4.7	6.6	1.3	1.5	100

11-14-2

印刷電路板導槽 PCB GUIDE RAIL

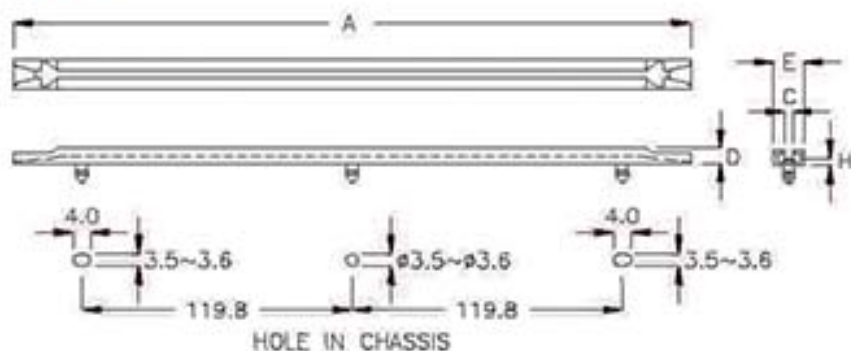
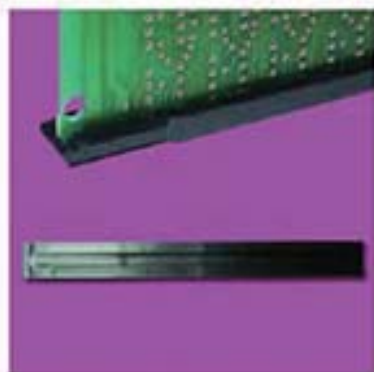


MATERIAL: NYLON 66(UL)
FLAME CLASS: 94V-2
COLOR: NATURAL

PART NO	A	C	D	E	G	H	MAXIMUM THICKNESS	PACKAGE
CG-12AT	119.0	2.6	4.5	10.8	2.1	1.5	1.0	100
CG-12BC	119.0	3.2	4.5	10.8	2.7	1.5	1.0	

11-14-3

印刷電路板導槽 PCB GUIDE RAIL



MATERIAL: PC(UL)
FLAME CLASS: 94V-2
COLOR: BLACK
NO EXTRA SCREW NEEDED

PART NO	A	C	D	E	H	MAXIMUM THICKNESS	PACKAGE
CG-28A	280.0	2.35	4.5	9.0	2.0	1.7	100

導槽 P.C.B GUIDE RAIL

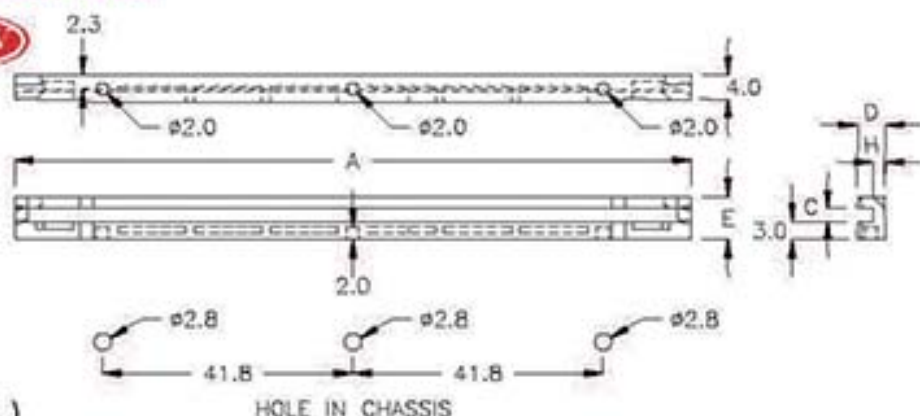
PINGOOD

11-15-1

印刷電路板導槽 PCB GUIDE RAIL



NEW



MATERIAL: NYLON 66(UL)
 FLAME CLASS: 94V-2
 COLOR: BLACK
 SCREW: M2.5 TAPPING SCREW

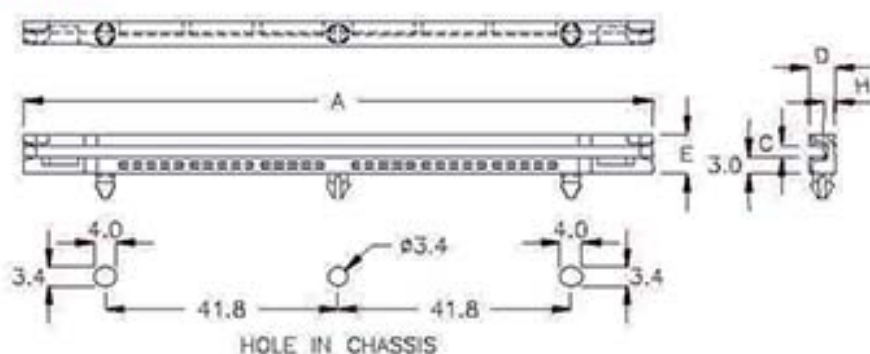
PART NO	A	C	D	E	H	PACKAGE
★ CFG-113	113.0	2.1	4.6	7.1	2.0	100

11-15-2

印刷電路板導槽 PCB GUIDE RAIL



NEW

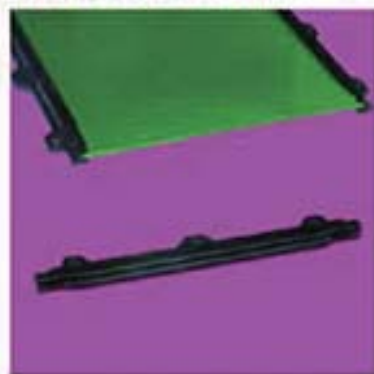


MATERIAL: NYLON 66(UL)
 FLAME CLASS: 94V-2
 COLOR: BLACK
 NO EXTRA SCREW NEEDED

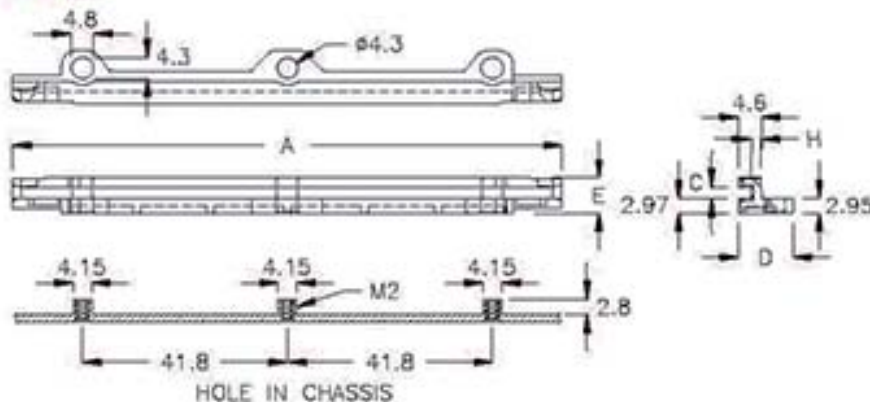
PART NO	A	C	D	E	H	MAXIMUM THICKNESS	PACKAGE
★ CGT-113F	113.0	2.1	4.6	7.1	2.0	1.6	100

11-15-3

印刷電路板導槽 PCB GUIDE RAIL



NEW



MATERIAL: NYLON 66(UL)
 FLAME CLASS: 94V-0
 COLOR: BLACK

PART NO	A	C	D	E	H	PACKAGE
★ CGW-112A	112.0	2.25	11.1	7.16	2.0	100

導槽 P.C.B GUIDE RAIL

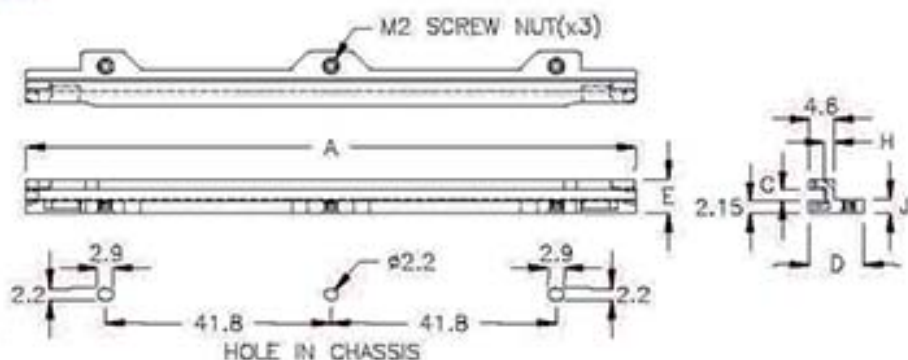
PINGOOD

11-16-1

印刷電路板導槽 PCB GUIDE RAIL



NEW



MATERIAL: ABS+PC(UL)
FLAME CLASS: 94V-0
COLOR: BLACK
USE SCREW: M2 SCREW

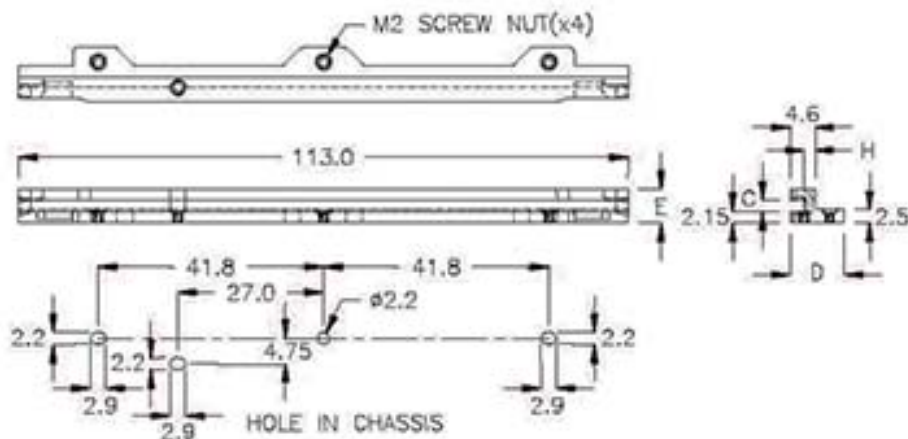
PART NO	A	C	D	E	J	H	PACKAGE
★ CGZ-113AT	113.0	2.1	10.1	6.25	2.0	2.0	100
★ CGZ-113K	113.0	2.1	10.1	6.25	2.5	2.0	

11-16-2

印刷電路板導槽 PCB GUIDE RAIL



NEW



MATERIAL: ABS+PC(UL)
FLAME CLASS: 94V-0
COLOR: BLACK
USE SCREW: M2 SCREW

PART NO	A	C	D	E	H	PACKAGE
★ CGZ-113NR	113.0	2.1	10.1	6.25	2.0	100

導槽 P.C.B GUIDE RAIL

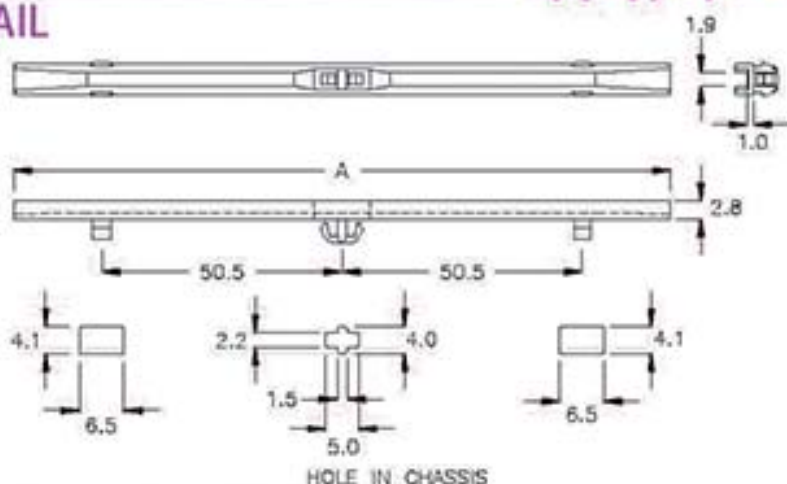
PINGOOD

11-17-1

印刷電路板導槽 PCB GUIDE RAIL



MATERIAL: NYLON 66(UL)
FLAME CLASS: 94V-2
COLOR: BLACK
NO EXTRA SCREW NEEDED



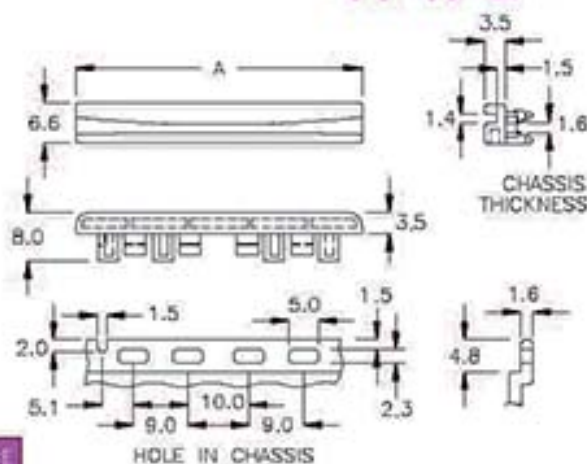
PART NO	A	MAXIMUM THICKNESS	PACKAGE
CGB-127	127.0	1.0	100

印刷電路板導槽 PCB GUIDE RAIL

11-17-2



MATERIAL: NYLON 66(UL)
FLAME CLASS: 94V-2
COLOR: NATURAL



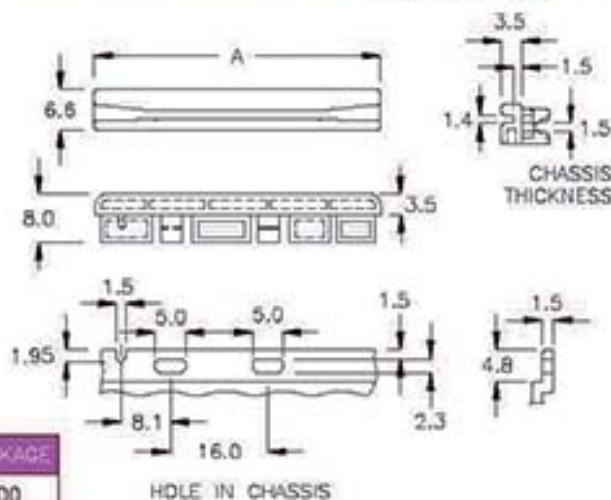
PART NO	A	PACKAGE
CGM-47	47.0	200

印刷電路板導槽 PCB GUIDE RAIL

11-17-3



MATERIAL: NYLON 66(UL)
FLAME CLASS: 94V-2
COLOR: NATURAL



PART NO	A	PACKAGE
CGM-47SJ	47.0	200

導槽 P.C.B GUIDE RAIL

PINGOOD

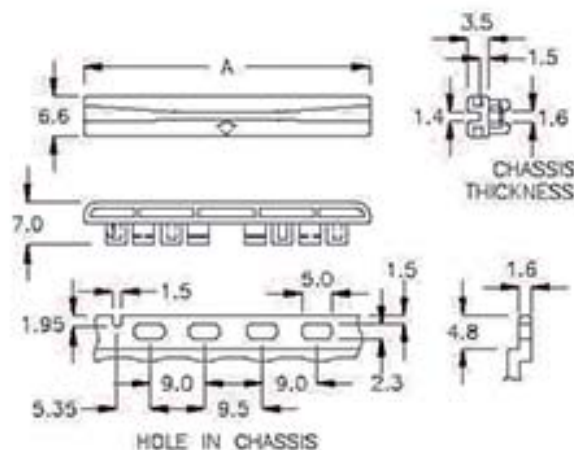
11-18-1

印刷電路板導槽 PCB GUIDE RAIL



PART NO.	A	PACKAGE
CGM-47YK	47.0	200

MATERIAL: NYLON 66(UL)
FLAME CLASS: 94V-2
COLOR: NATURAL



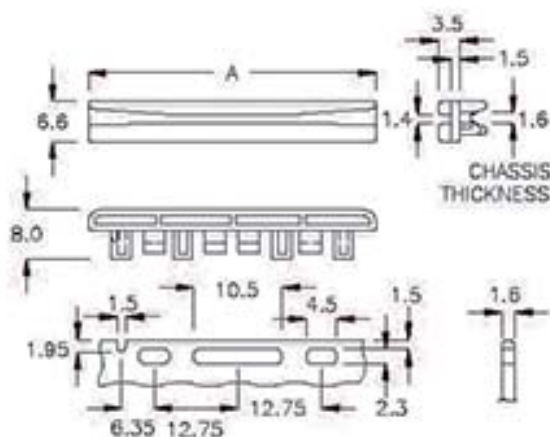
11-18-2

印刷電路板導槽 PCB GUIDE RAIL



PART NO.	A	PACKAGE
CGM-47DK	47.0	200

MATERIAL: NYLON 66(UL)
FLAME CLASS: 94V-2
COLOR: NATURAL



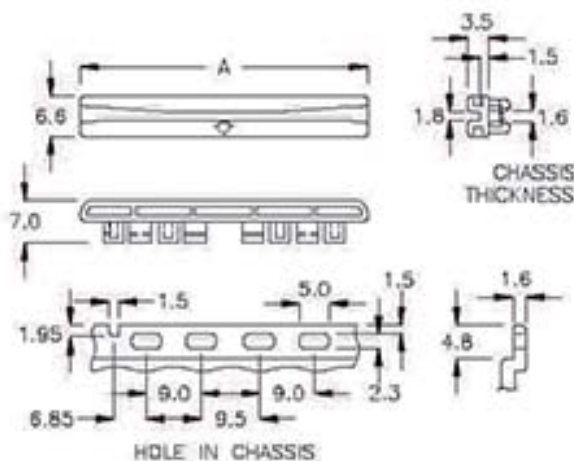
11-18-3

印刷電路板導槽 PCB GUIDE RAIL



PART NO.	A	PACKAGE
CGM-50RT	50.0	200

MATERIAL: NYLON 66(UL)
FLAME CLASS: 94V-2
COLOR: NATURAL



導槽 P.C.B GUIDE RAIL

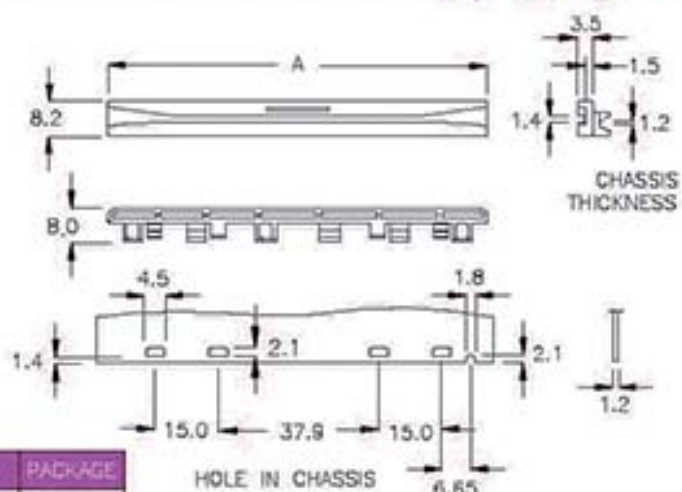
PINGOOD

11-19-1

印刷電路板導槽 PCB GUIDE RAIL



MATERIAL: NYLON 66(UL)
FLAME CLASS: 94V-2
COLOR: NATURAL



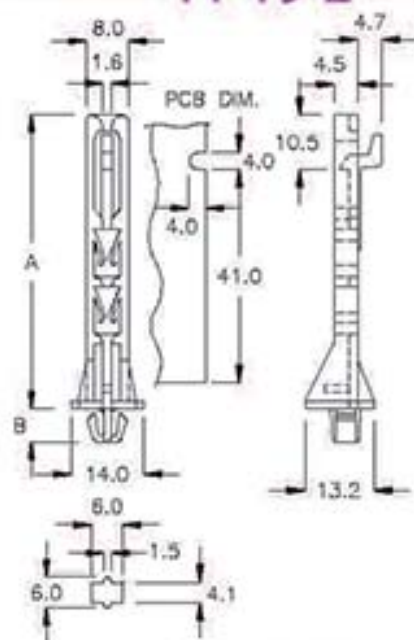
PART NO	A	PACKAGE
CCM-90	90.0	200

11-19-2

直立式導槽 PCB GUIDE RAIL



MATERIAL: NYLON 66(UL)
FLAME CLASS: 94V-2
COLOR: NATURAL
NO EXTRA SCREW NEEDED



PART NO	A	B	PACKAGE
HCG-5	56.5	6.5	200

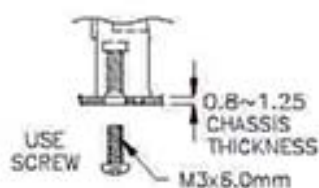
HOLE IN CHASSIS
MAXIMUM THICKNESS:1.6mm

11-19-3

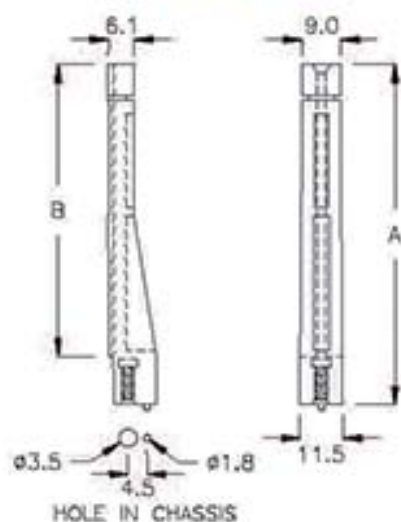
直立式導槽 PCB GUIDE RAIL



MATERIAL: NYLON 66(UL)
FLAME CLASS: 94V-2
COLOR: WHITE



PART NO	A	B	PACKAGE
HCG-9	89.2	77.2	50
HCG-13	130.0	118.5	



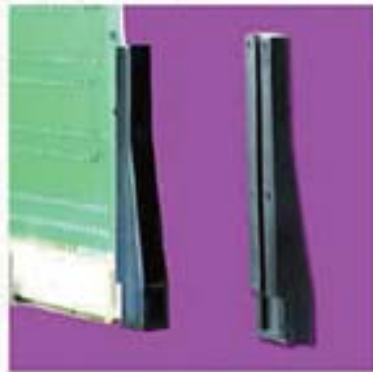
HOLE IN CHASSIS

導槽 P.C.B GUIDE RAIL

PINGOOD

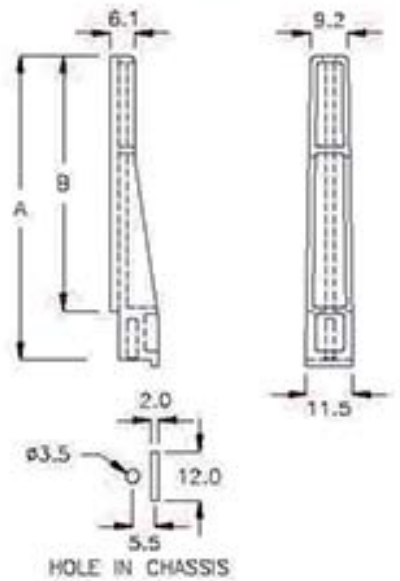
11-20-1

直立式導槽 PCB GUIDE RAIL



MATERIAL: NYLON 66(UL)
 FLAME CLASS: 94V-2
 COLOR: BLACK
 SCREW TAPPING: M3x8mm

PART NO	A	B	PACKAGE
HCG-74A	74.2	62.2	200



11-20-2

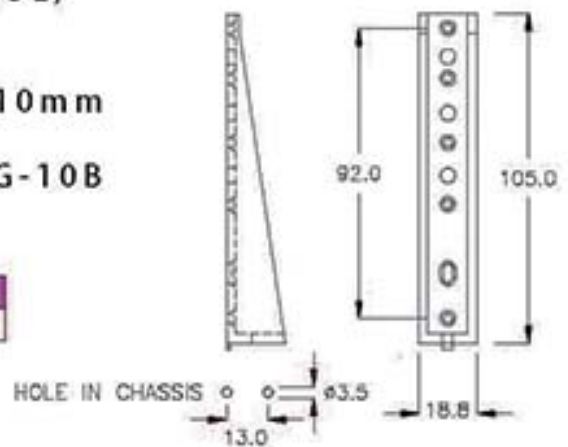
直立式導槽 PCB GUIDE RAIL



MATERIAL: NYLON 66(UL)
 FLAME CLASS: 94V-2
 COLOR: BLACK
 SCREW TAPPING: M3x10mm

USE WITH P.G.PART CG-10B
 (PAGE 11-4-1)

PART NO	A	B	PACKAGE
HCG-10	105.0	92.0	200





束線帶 ▲
CABLE TIES

束線帶 CABLE TIES

PINGOOD

12-2-1

電線束線帶 CABLE TIE

MATERIAL: NYLON 66(UL)

FLAME CLASS: 94V-2

COLOR: NATURAL



RU®
E101675

Suggest : Min bundle DIA ϕ 5.0

PART NO	APPROX LENGTH mm(in)	APPROX WIDTH mm(in)	MAX BUNDLE DIA mm(in)	MIN. LOOP TENSILE STRENGTH kgs(Lbs)	PACKAGE
YJ-80	80(3.15")	2.2(0.08")	17(0.67")	8(18)	1000
YJ-90	90(3.54")	2.5(0.10")	21(0.83")		
YJ-98	98(3.86")		22(0.87")		
YJ-100	100(4.00")	3.6(0.14")	23(0.91")	18(40)	500
YJ-102	102(4.00")		22(0.87")		
YJ-115	115(4.53")	4.8(0.19")	29(1.15")	23(50)	1000
YJ-120	120(4.72")	2.5(0.10")	30(1.18")	8(18)	
YJ-122	122(4.80")	3.6(0.14")	29(1.14")	18(40)	500
YJ-140	140(5.50")	4.8(0.19")	34(1.34")	23(50)	
YJ-142	142(5.59")	3.6(0.14")		18(40)	
YJ-142S	142(5.59")	2.5(0.10")	36(1.42")	8(18)	1000
YJ-148	148(5.83")	7.6(0.30")		54(120)	100
YJ-160	160(6.30")	2.5(0.10")	42(1.66")	8(18)	1000
YJ-162	162(6.38")	4.8(0.19")		23(50)	500
YJ-163	163(6.41")	3.6(0.14")	40(1.57")	18(40)	
YJ-178	178(7.00")	9.0(0.35")	45(1.76")	80(175)	100
YJ-181	181(7.13")	2.5(0.10")	49(1.92")	8(18)	1000
YJ-182	182(7.17")	7.6(0.30")	46(1.81")	54(120)	100
YJ-185	185(7.28")	3.6(0.14")	47(1.85")	18(40)	500
YJ-188	188(7.40")	4.8(0.19")	49(1.93")	23(50)	
YJ-201	201(7.87")		53(2.08")		
YJ-203	203(8.00")	3.6(0.14")	55(2.17")	18(40)	1000
YJ-203S	203(8.00")	2.5(0.10")	56(2.21")	8(18)	
YJ-215	215(8.46")	7.6(0.30")	59(2.32")	54(120)	100
YJ-216	216(8.50")	4.8(0.19")	58(2.28")	23(50)	500
YJ-229	229(9.00")	9.0(0.35")	61(2.40")	80(175)	100
YJ-232	232(9.13")	3.6(0.14")	63(2.48")	18(40)	500
YJ-242	242(9.53")	4.8(0.19")	66(2.60")	23(50)	
YJ-254	254(10.00")	7.6(0.30")	71(2.80")	54(120)	100
YJ-263	263(10.35")	3.6(0.14")	73(2.87")	18(40)	500
YJ-266	266(10.47")	4.8(0.19")	72(2.84")	23(50)	
YJ-280	280(11.00")	9.0(0.35")	77(3.03")	80(175)	100
YJ-292	292(11.50")	4.8(0.19")	82(3.23")	23(50)	500
YJ-293	293(11.54")	7.6(0.30")	84(3.30")	54(120)	100
YJ-295	295(11.61")	3.6(0.14")	83(3.27")	18(40)	500
YJ-329	329(13.00")	9.0(0.35")	93(3.66")	80(175)	100
YJ-330	330(13.00")	4.8(0.19")	93(3.66")	23(50)	500
YJ-331	331(13.00")	3.6(0.14")	96(3.78")	18(40)	
YJ-332	332(13.00")	7.6(0.30")	95(3.74")	54(120)	100
YJ-368	368(14.49")	4.8(0.19")	106(4.17")	23(50)	500
YJ-368L	368(14.49")	7.6(0.30")	109(4.29")	54(120)	100
YJ-370	370(14.57")	3.6(0.14")	108(4.25")	18(40)	500
YJ-382	382(15.00")	9.0(0.35")	110(4.33")	80(175)	100

束線帶 CABLE TIES

PINGOOD

12-3-1

電線束線帶 CABLE TIE

MATERIAL: NYLON 66(UL)
FLAME CLASS: 94V-2
COLOR: NATURAL



Suggest : Min bundle DIA ϕ 10.0

PART NO	APPROX LENGTH mm(in)	APPROX WIDTH mm(in)	MAX BUNDLE DIA mm(in)	MIN. LOOP TENSILE STRENGTH kgs(Lbs)	PACKAGE
YJ-410	410(16.14")	4.8(0.19")	122(4.80")	23(50)	500
YJ-420	420(16.54")	7.6(0.30")	124(4.88")	54(120)	100
YJ-450	450(17.72")	4.8(0.19")	135(5.31")	23(50)	500
YJ-458	458(18.00")	9.0(0.35")	135(5.31")	80(175)	100
YJ-470	470(18.50")	7.6(0.30")	140(5.51")	54(120)	
YJ-520	520(20.47")		156(6.14")		
YJ-530	530(20.87")	9.0(0.35")	155(6.10")	80(175)	
YJ-655	655(25.79")		194(7.64")		
YJ-780	780(30.71")		234(9.21")		
YJ-815	815(32.00")		247(9.72")		

12-3-2

電線束線帶 RELEASABLE CABLE TIE

MATERIAL: NYLON 66(UL)
FLAME CLASS: 94V-2
COLOR: NATURAL



PART NO	APPROX LENGTH mm(in)	APPROX WIDTH mm(in)	MAX BUNDLE DIA mm(in)	MIN. LOOP TENSILE STRENGTH kgs(Lbs)	PACKAGE
YJ-R228	228(9.00")	12.7(0.50")	54(2.12")	114(250)	100
YJ-R256	256(10.00")		62(2.44")		
YJ-R279	279(11.00")		70(2.75")		
YJ-R305	305(12.00")		78(3.07")		
YJ-R328	328(13.00")		86(3.38")		
YJ-R355	355(14.00")		94(3.70")		
YJ-R380	380(15.00")		102(4.00")		
YJ-R405	405(16.00")		110(4.33")		
YJ-R430	430(17.00")		118(4.64")		
YJ-R455	455(18.00")		127(5.00")		
YJ-R485	485(19.00")		135(5.31")		
YJ-R510	510(20.00")		143(5.62")		
YJ-R534	534(21.00")		151(5.94")		
YJ-R560	560(22.00")		159(6.25")		
YJ-R585	585(23.00")		167(6.57")		
YJ-R610	610(24.00")		175(6.88")		
YJ-R635	635(25.00")		183(7.20")		
YJ-R660	660(26.00")		191(7.51")		
YJ-R685	685(27.00")		199(7.83")		

束線帶 CABLE TIES

PINGOOD

12-4-1

電線束線帶 SCREW-ON CABLE TIE

MATERIAL: NYLON 66(UL)
FLAME CLASS: 94V-2
COLOR: NATURAL



Suggest : Min bundle DIA ϕ 10.0

PART NO	APPROX LENGTH mm(in)	APPROX WIDTH mm(in)	MAX BUNDLE DIA mm(in)	A	PACKAGE
YJ-156	156(6.14")	3.6(0.14")	34(1.33")	ϕ 4.3	500
YJ-205	205(8.0")	4.8(0.19")	51(2.01")	ϕ 5.5	
YJ-255	255(10.0")	4.8(0.19")	67(2.63")		
YJ-304	304(12.0")	4.8(0.19")	82(3.25")		
YJ-356	356(14.0")	4.8(0.19")	99(3.90")		
YJ-406	406(16.0")	4.8(0.19")	115(4.52")		
YJ-230	230(9.00")	7.6(0.30")	58(2.28")	ϕ 6.5	100
YJ-306	306(12.00")	7.6(0.30")	84(3.31")		
YJ-381	381(15.00")	7.6(0.30")	108(4.25")		
YJ-460	460(18.00")	7.6(0.30")	133(5.24")		
YJ-535	535(21.00")	7.6(0.30")	155(6.10")		

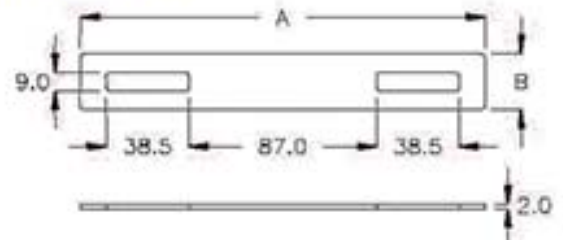
12-4-2



把手座 HANDLE MOUNTING PLATE

MATERIAL: PE
COLOR: BLACK

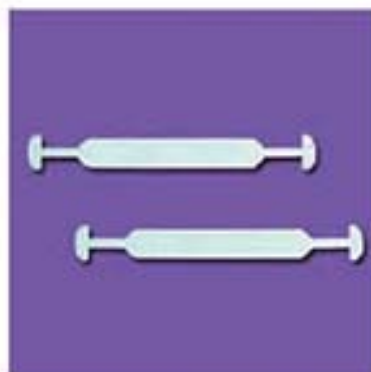
NEW



PART NO	A	B	PACKAGE
★ BSTH-188F	188.0	26.0	100

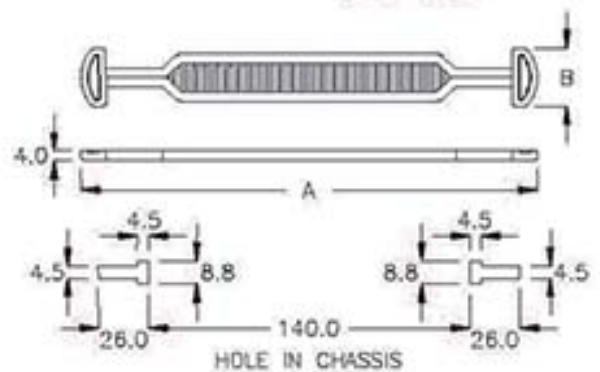
CAN BE USED AN OPTION P.G PART BST-07 (Page 12-14-3)

12-4-3



紙箱把手 PULLER

MATERIAL: PE
COLOR: WHITE



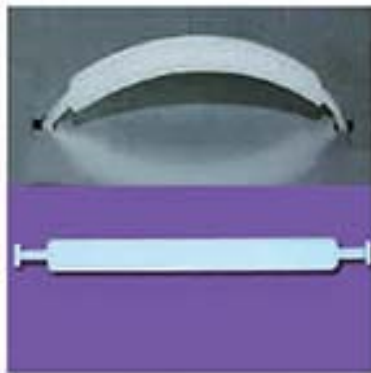
PART NO	A	B	PACKAGE
BST-07	198.0	25.4	200

CAN BE USED AN OPTION P.G PART BSTH-188F (Page 12-14-2)

束線帶 CABLE TIES

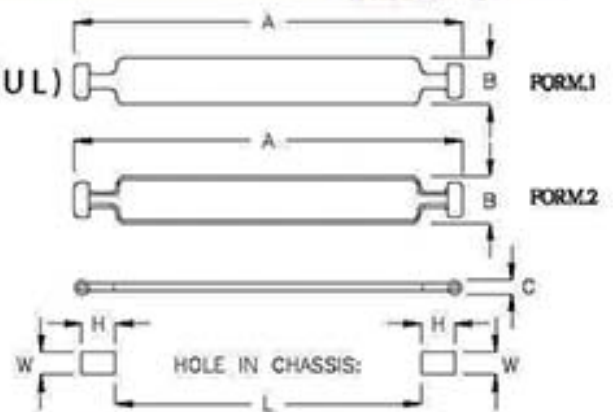
PINGOOD

12-5-1



把手 PULLER

MATERIAL: NYLON 66(UL)
FLAME CLASS: 94V-2
COLOR: NATURAL



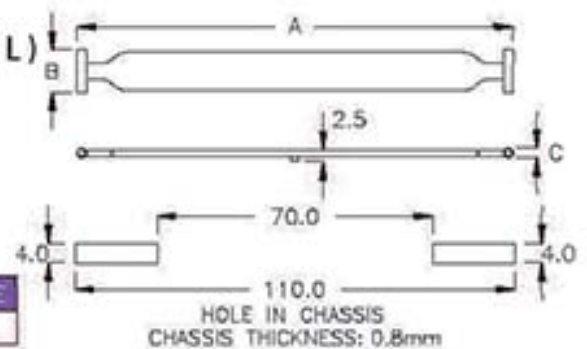
PART NO	A	B	C	H	W	L	FORM	PACKAGE
BST-60A	60.6	9.4	φ2.3	8.0	3.7	30.0	1	500
BST-70	70.0	8.0	φ2.0	7.0	4.0	46.0	1	
BST-80	79.8	9.4	φ2.3	15.0	3.7	46.0	1	
BST-9A	90.5	9.4	φ2.3	7.0	3.8	60.5	2	
BST-120	120.0	11.9	φ2.3	9.2	6.0	80.0	2	

12-5-2



把手 PULLER

MATERIAL: NYLON 66(UL)
FLAME CLASS: 94V-2
COLOR: BLACK



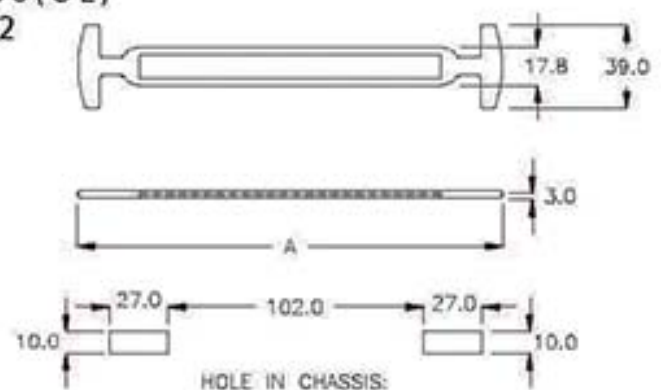
PART NO	A	B	C	PACKAGE
BSX-110K	110.6	9.0	φ2.0	500

12-5-3



把手 PULLER

MATERIAL: NYLON 66(UL)
FLAME CLASS: 94V-2
COLOR: NATURAL



PART NO	A	PACKAGE
BST-1800	180.0	200

束線帶 CABLE TIES

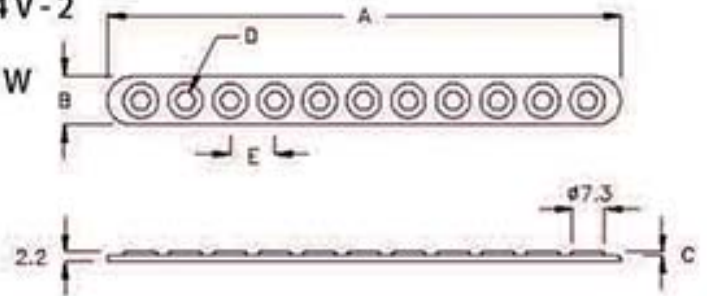
PINGOOD

12-6-1



固定座 MOUNTING

MATERIAL: NYLON 66(UL)
 FLAME CLASS: 94V-2
 COLOR: BLACK
 SCREW: M4 SCREW



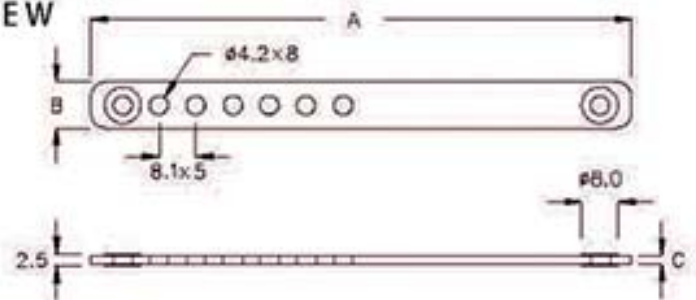
PART NO	A	B	C	D	E	PACKAGE
BSW-115	115.0	11.0	0.7	4.3×11	10.0×10	500
BSW-155	155.0	11.0	0.7	4.3×15	10.0×14	

12-6-2



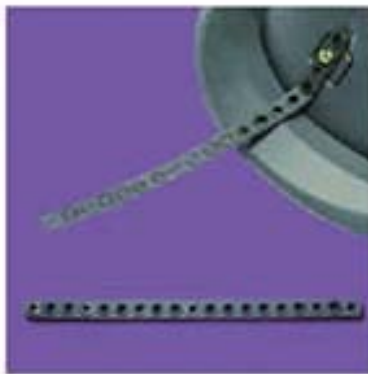
固定座 MOUNTING

MATERIAL: NYLON 66(UL)
 FLAME CLASS: 94V-2
 COLOR: BLACK
 SCREW: M4 SCREW



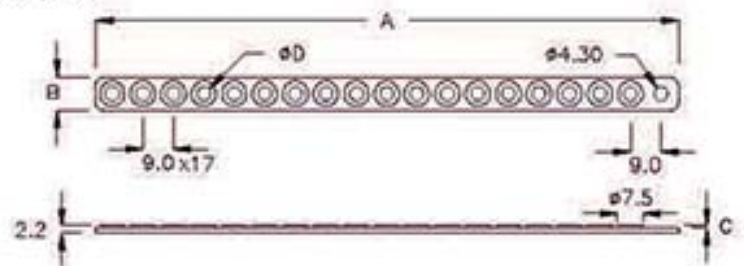
PART NO	A	B	C	PACKAGE
BSW-119	118.8	10.2	1.7	500

12-6-3



固定座 MOUNTING

MATERIAL: NYLON 66(UL)
 FLAME CLASS: 94V-2
 COLOR: BLACK
 SCREW: M4 SCREW



PART NO	A	B	C	D	PACKAGE
BSW-172	172.7	10.0	0.7	4.3×18	500

束線帶 CABLE TIES

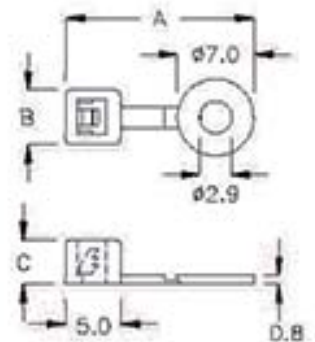
PINGOOD

12-7-1



束線固定座 MOUNTING

MATERIAL: NYLON 66(UL)
FLAME CLASS: 94V-2
COLOR: BLACK



PART NO	A	B	C	ASSEMBLE WITH P.G. PART	PACKAGE
YAD-01	17.2	5.0	4.0	YJ-90, YJ-98, YJ-120 YJ-142S, YJ-160 YJ-181, YJ-203S	2000

ASSEMBLE WITH P.G. PART YJ-90, YJ-98 (Page 12-2-1)
MUST BE ASSEMBLED WITH CABLE TIE, WIDTH UP TO 2.5mm

12-7-2

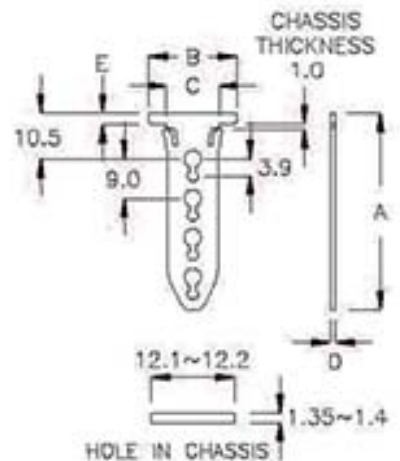


電源線固定帶 CABLE TIE

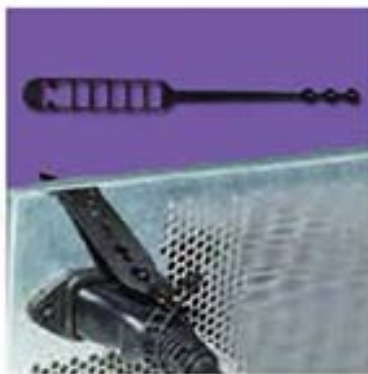
MATERIAL: NYLON 66(UL)
FLAME CLASS: 94V-2
COLOR: BLACK

PART NO	A	B	C	D	E	PACKAGE
PSA-01	45.0	20.0	11.9	1.2	2.5	500

ASSEMBLE WITH P.G. PART PSA-02 (Page 12-7-3)



12-7-3

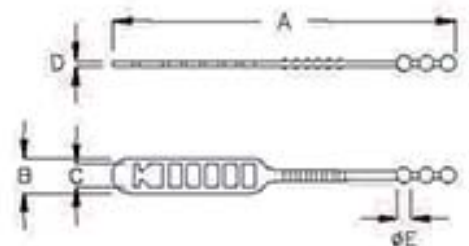


電源線固定帶 CABLE TIE

MATERIAL: NYLON 66(UL)
FLAME CLASS: 94V-2
COLOR: BLACK

PART NO	A	B	C	D	E	PACKAGE
PSA-02	78.3	8.0	5.6	1.2	3.5	500

ASSEMBLE WITH P.G. PART PSA-01 (Page 12-7-2)



束線帶 CABLE TIES

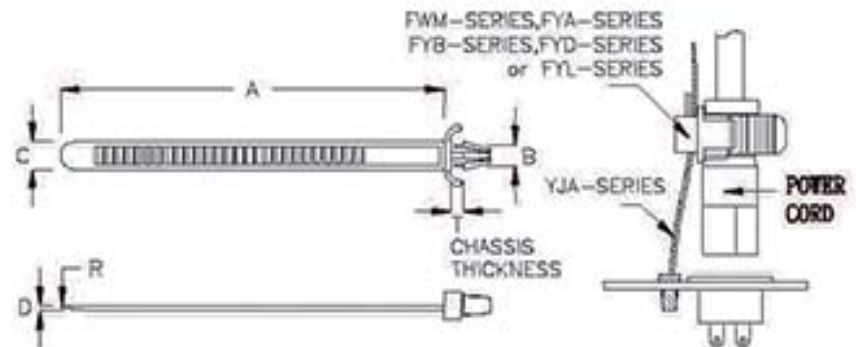
PINGOOD

12-8-1

電源線固定帶 CABLE TIE



MATERIAL: NYLON 66(UL)
FLAME CLASS: 94V-2
COLOR: BLACK



PART NO	A	B HOLE IN CHASSIS	C	D	R	T CHASSIS THICKNESS	ASSEMBLE WITH P.G. PART	PACKAGE
YJA-85	85.0	φ5.0	6.2	1.2	R0.1	0.5~2.0	FWM-7GQ, FWM-8K FWM-11A, FWM-11KN FWM-15A, FWM-19M FYA-15KC, FYA-15TR FYB-15NK, FYD-13K FYL-17C	100
★ YJA-85KT	85.0	φ5.0	6.2	1.2	R0.4	0.5~2.0		
YJA-85PD	85.0	φ5.0	6.2	1.5	R0.1	0.5~2.0	FWM-11PH, FWM-15PD	

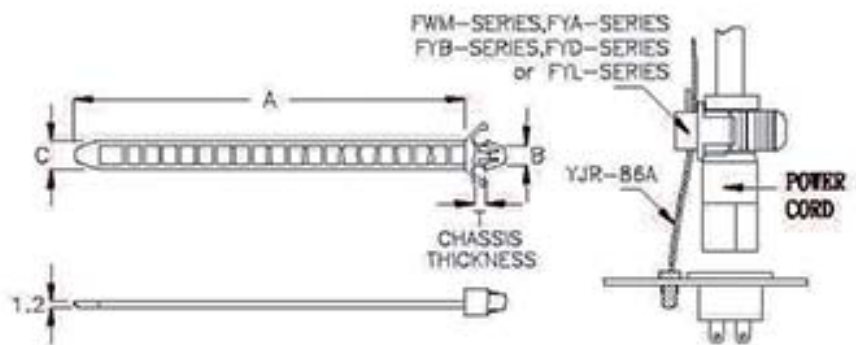
ASSEMBLE WITH P.G. PART FWM-SERIES, FYA-SERIES, FYB-SERIES, FYD-SERIES or FYL-SERIES (Page 12-15, 12-16, 12-17-1)

12-8-2

電源線固定帶 CABLE TIE



MATERIAL: NYLON 66(UL)
FLAME CLASS: 94V-2
COLOR: BLACK



PART NO	A	B HOLE IN CHASSIS	C	T CHASSIS THICKNESS	ASSEMBLE WITH P.G. PART	PACKAGE
YJR-86A	86.75	φ5.0	6.2	0.8~2.0	FWM-7GQ, FWM-8K FWM-11A, FWM-11KN FWM-15A, FWM-19M FYA-15KC, FYA-15TR FYB-15NK, FYD-13K FYL-17C	100

ASSEMBLE WITH P.G. PART FWM-SERIES, FYA-SERIES, FYB-SERIES, FYD-SERIES or FYL-SERIES (Page 12-15, 12-16, 12-17-1)

束線帶 CABLE TIES

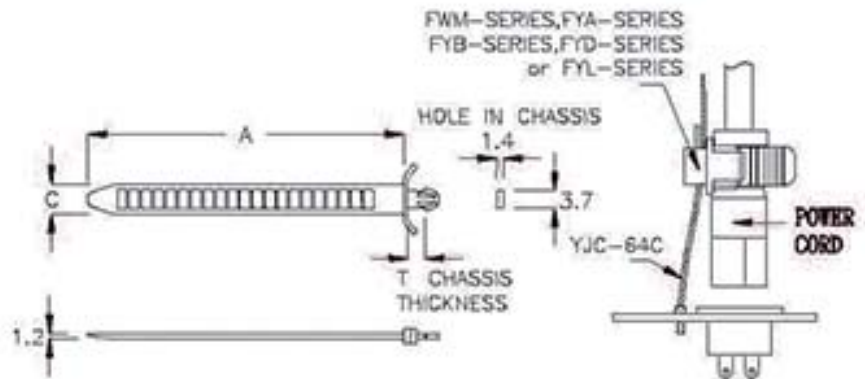
PINGOOD

12-9-1

電源線固定帶 CABLE TIE



MATERIAL: NYLON 66(UL)
FLAME CLASS: 94V-2
COLOR: BLACK



PART NO	A	C	T CHASSIS THICKNESS	ASSEMBLE WITH P.G. PART	PACKAGE
YJC-64C	64.2	6.2	1.8~2.8	FWM-7GQ, FWM-8K FWM-11A, FWM-11KN FWM-15A, FWM-19M FYA-15KC, FYA-15TR FYB-15NK, FYD-13K FYL-17C	500

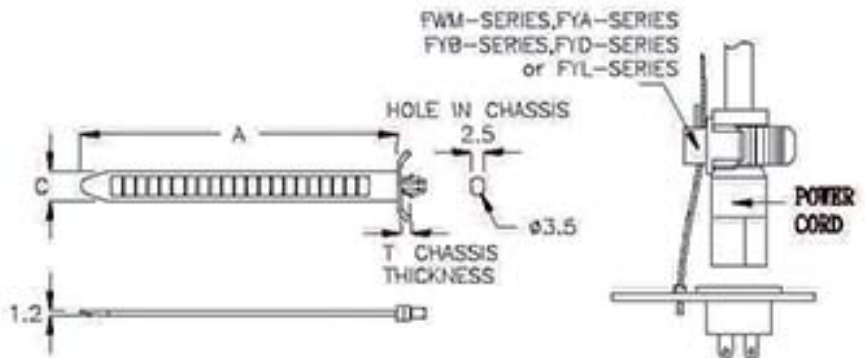
ASSEMBLE WITH P.G. PART FWM-SERIES, FYA-SERIES, FYB-SERIES, FYD-SERIES or FYL-SERIES (Page 12-15, 12-16, 12-17-1)

12-9-2

電源線固定帶 CABLE TIE



MATERIAL: NYLON 66(UL)
FLAME CLASS: 94V-2
COLOR: BLACK



PART NO	A	C	T CHASSIS THICKNESS	ASSEMBLE WITH P.G. PART	PACKAGE
YJC-64MK	64.2	6.2	1.0~1.4	FWM-7GQ, FWM-8K FWM-11A, FWM-11KN FWM-15A, FWM-19M FYA-15KC, FYA-15TR FYB-15NK, FYD-13K FYL-17C	500

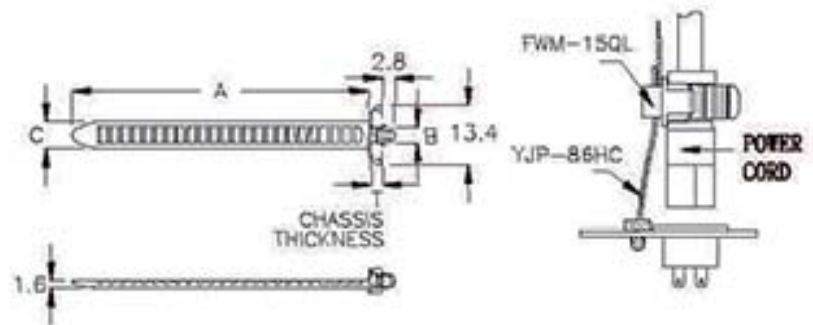
ASSEMBLE WITH P.G. PART FWM-SERIES, FYA-SERIES, FYB-SERIES, FYD-SERIES or FYL-SERIES (Page 12-15, 12-16, 12-17-1)

束線帶 CABLE TIES

PINGOOD

12-10-1

電源線固定帶 CABLE TIE



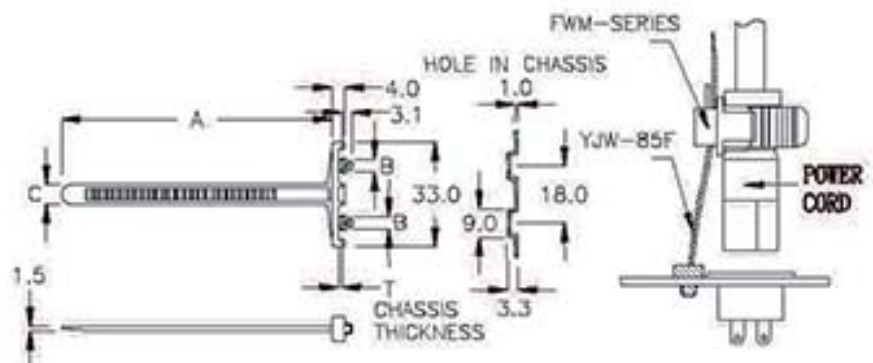
MATERIAL: NYLON 66(UL)
FLAME CLASS: 94V-2
COLOR: BLACK

PART NO	A	B HOLE IN CHASSIS	C	T CHASSIS THICKNESS	ASSEMBLE WITH P.G. PART	PACKAGE
YJP-86HC	86.75	ø3.5	6.0	0.8~2.0	FWM-15QL	100

ASSEMBLE WITH P.G. PART FWM-15QL (Page 12-16-1)

12-10-2

電源線固定帶 CABLE TIE



MATERIAL: NYLON 66(UL)
FLAME CLASS: 94V-2
COLOR: BLACK

PART NO	A	B HOLE IN CHASSIS	C	T CHASSIS THICKNESS	ASSEMBLE WITH P.G. PART	PACKAGE
YJW-85F	85.0	ø4.0	5.2	1.0	FWM-11PH, FWM-15PD	100

ASSEMBLE WITH P.G. PART FWM-SERIES (Page 12-15-1)

束線帶 CABLE TIES

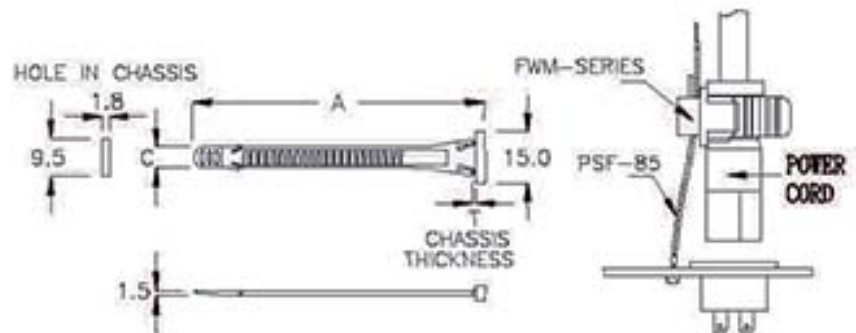
PINGOOD

12-11-1

電源線固定帶 CABLE TIE



MATERIAL: NYLON 66(UL)
FLAME CLASS: 94V-2
COLOR: BLACK



PART NO	A	C	T CHASSIS THICKNESS	ASSEMBLE WITH P.G. PART	PACKAGE
PSF-85	85.0	6.2	0.8	FWM-11PH, FWM-15PD	500

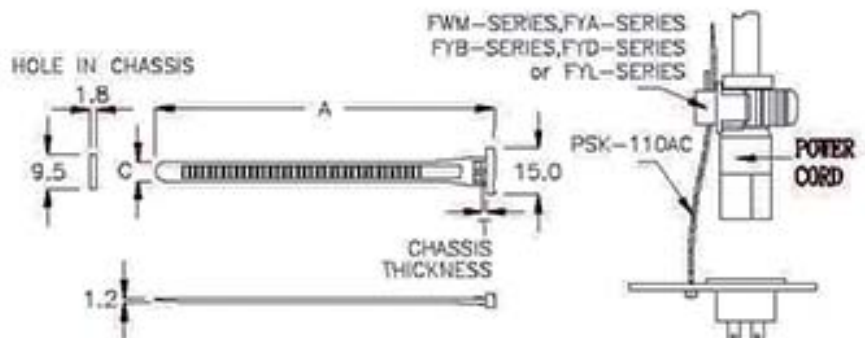
ASSEMBLE WITH P.G. PART FWM-SERIES (Page 12-15-1)

12-11-2

電源線固定帶 CABLE TIE



MATERIAL: NYLON 66(UL)
FLAME CLASS: 94V-2
COLOR: BLACK



PART NO	A	C	T CHASSIS THICKNESS	ASSEMBLE WITH P.G. PART	PACKAGE
PSK-110AC	110.0	6.2	0.8	FWM-7GQ, FWM-8K FWM-11A, FWM-11KN FWM-15A, FWM-19M FYA-15KC, FYA-15TR FYB-15NK, FYD-13K FYL-17C	500

ASSEMBLE WITH P.G. PART FWM-SERIES, FYA-SERIES, FYB-SERIES, FYD-SERIES or FYL-SERIES (Page 12-15, 12-16, 12-17-1)

束線帶 CABLE TIES

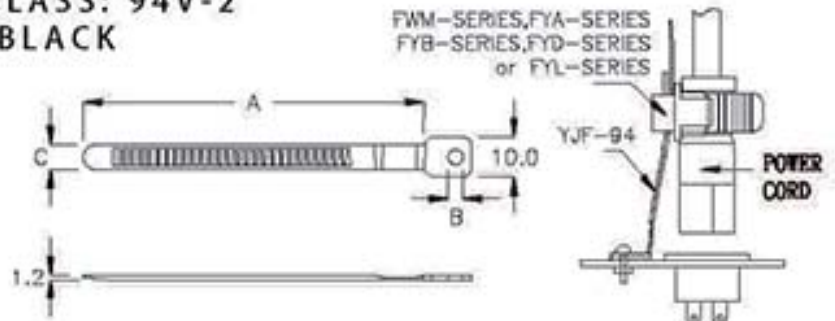
PINGOOD

12-12-1



電源線固定帶 CABLE TIE

MATERIAL: NYLON 66(UL)
FLAME CLASS: 94V-2
COLOR: BLACK



PART NO	A	B	C	ASSEMBLE WITH P.C. PART	PACKAGE
YJF-94	85.0	φ3.8	6.2	FWM-7GQ, FWM-8K FWM-11A, FWM-11KN FWM-15A, FWM-19M FYA-15KC, FYA-15TR FYB-15NK, FYD-13K FYL-17C	100
★ YJF-116KH	105.0	φ6.0	6.2		

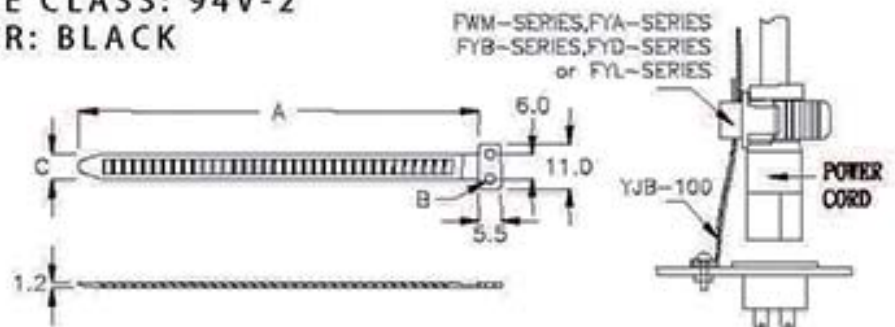
ASSEMBLE WITH P.G PART FWM-SERIES, FYA-SERIES, FYB-SERIES, FYD-SERIES or FYL-SERIES (Page 12-15, 12-16, 12-17-1)

12-12-2



電源線固定帶 CABLE TIE

MATERIAL: NYLON 66(UL)
FLAME CLASS: 94V-2
COLOR: BLACK



PART NO	A	B	C	ASSEMBLE WITH P.C. PART	PACKAGE
YJB-100	100.0	φ2.5	6.2	FWM-7GQ, FWM-8K FWM-11A, FWM-11KN FWM-15A, FWM-19M FYA-15KC, FYA-15TR FYB-15NK, FYD-13K FYL-17C	100

ASSEMBLE WITH P.G PART FWM-SERIES, FYA-SERIES, FYB-SERIES, FYD-SERIES or FYL-SERIES (Page 12-15, 12-16, 12-17-1)

束線帶 CABLE TIES

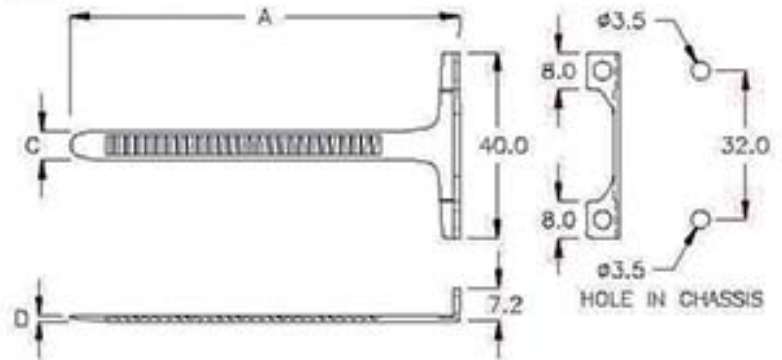
PINGOOD

12-13-1



電源線固定帶 CABLE TIE

MATERIAL: NYLON 66(UL)
FLAME CLASS: 94V-2
COLOR: BLACK



PART NO	A	C	D	ASSEMBLE WITH P.G. PART	PACKAGE
YJL-83M	83.5	6.2	1.2	FWM-7GO, FWM-8K FWM-11A, FWM-11KN FWM-15A, FWM-19M FYA-15KC, FYA-15TR FYB-15NK, FYD-13K FYL-17C	100

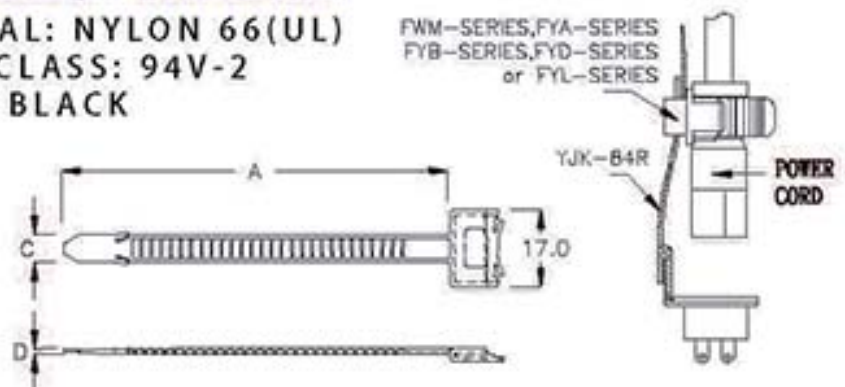
ASSEMBLE WITH P.G. PART FWM-SERIES, FYA-SERIES, FYB-SERIES, FYD-SERIES or FYL-SERIES (Page 12-15, 12-16, 12-17-1)

12-13-2



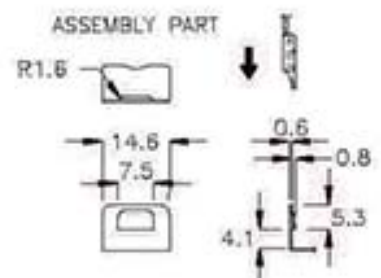
電源線固定帶 CABLE TIE

MATERIAL: NYLON 66(UL)
FLAME CLASS: 94V-2
COLOR: BLACK



PART NO	A	C	D	ASSEMBLE WITH P.G. PART	PACKAGE
YJK-84R	84.6	6.2	1.2	FWM-7GO, FWM-8K FWM-11A, FWM-11KN FWM-15A, FWM-19M FYA-15KC, FYA-15TR FYB-15NK, FYD-13K FYL-17C	100

ASSEMBLE WITH P.G. PART FWM-SERIES, FYA-SERIES, FYB-SERIES, FYD-SERIES or FYL-SERIES (Page 12-15, 12-16, 12-17-1)



束線帶 CABLE TIES

PINGOOD

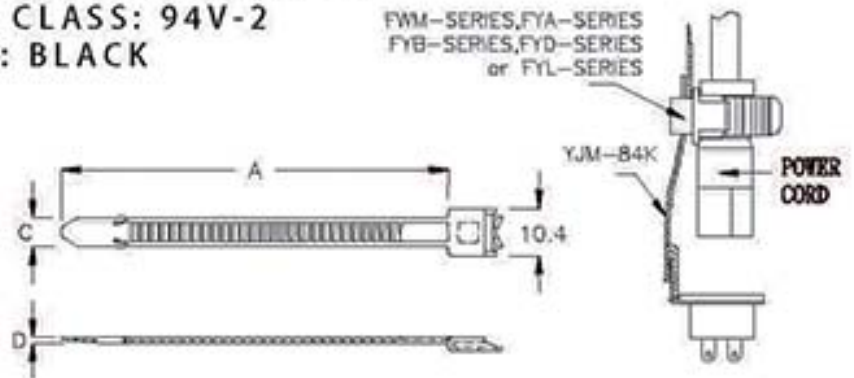
12-14-1



電源線固定帶 CABLE TIE

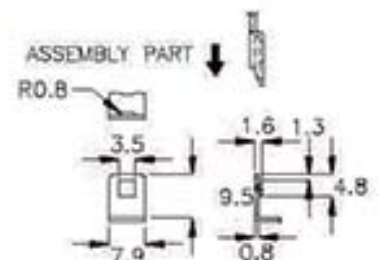
MATERIAL: NYLON 66(UL)
FLAME CLASS: 94V-2
COLOR: BLACK

FWM-SERIES, FYA-SERIES
FYB-SERIES, FYD-SERIES
or FYL-SERIES



PART NO	A	C	D	ASSEMBLE WITH P.G. PART	PACKAGE
YJM-84K	84.6	6.2	1.2	FWM-7GQ, FWM-8K FWM-11A, FWM-11KN FWM-15A, FWM-19M FYA-15KC, FYA-15TR FYB-15NK, FYD-13K FYL-17C	100

ASSEMBLE WITH P.G. PART FWM-SERIES, FYA-SERIES, FYB-SERIES, FYD-SERIES or FYL-SERIES (Page 12-15, 12-16, 12-17-1)

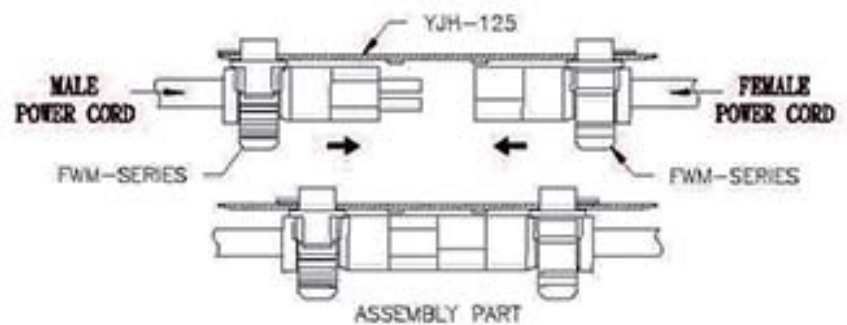
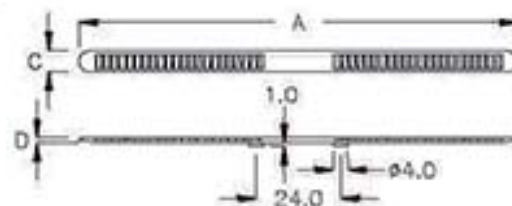


12-14-2



電源線固定帶 CABLE TIE

MATERIAL: NYLON 66(UL)
FLAME CLASS: 94V-2
COLOR: BLACK



PART NO	A	C	D	ASSEMBLE WITH P.G. PART	PACKAGE
YJH-125	125.0	6.2	1.5	FWM-11PH, FWM-15PD	100

ASSEMBLE WITH P.G. PART FWM-SERIES (Page 12-15-1)

束線帶 CABLE TIES

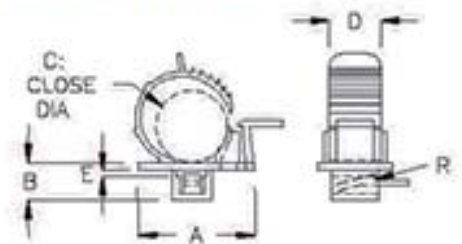
PINGOOD

12-15-1



電源線固定座 POWER CORD MOUNTING

MATERIAL: NYLON 66(UL)
FLAME CLASS: 94V-2
COLOR: BLACK



PART NO	A	B	C CLOSE DIA	D	E	R	ASSEMBLE WITH P.G. PART	PACKAGE
FWM-7GQ	18.0	8.1	φ5.0~φ8.5	11.0	1.3	RO.1	YJA-85, YJA-85KT	100
FWM-8K	18.0	8.1	φ6.8~φ8.5					
FWM-11A	25.0	8.3	φ8.0~φ11.0	11.0	1.3	RO.2	YJC-84MK, YJF-94	
★ FWM-11KN	25.0	8.3	φ8.0~φ11.0					
FWM-15A	24.8	8.1	φ11.5~φ15.3	11.0	1.3	RO.1	YJL-83M, YJM-84K	
FWM-19M	28.3	8.3	φ15.3~φ19.0					
FWM-11PH	25.0	8.3	φ8.0~φ11.0	11.0	1.8	RO.1	YJR-86A, PSK-110AC	
FWM-15PD	24.8	8.1	φ11.5~φ15.3					

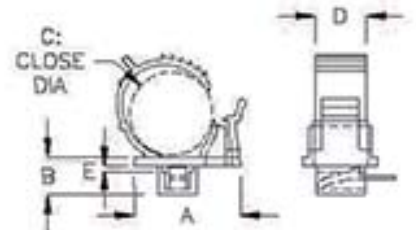
ASSEMBLE WITH P.G PART YJA-SERIES, YJB-SERIES, YJC-SERIES, YJF-SERIES, YJH-SERIES, YJK-SERIES, YJL-SERIES, YJM-SERIES, YJR-SERIES, YJW-SERIES, PSF-SERIES or PSK-SERIES (Page 12-8, 12-9, 12-10-2, 12-11, 12-12, 12-13, 12-14)

12-15-2



電源線固定座 POWER CORD MOUNTING

MATERIAL: NYLON 66(UL)
FLAME CLASS: 94V-2
COLOR: BLACK



PART NO	A	B	C CLOSE DIA	D	E	ASSEMBLE WITH P.G. PART	PACKAGE
FYB-15NK	22.7	8.1	φ11.5~φ15.3	11.0	1.3	YJA-85, YJA-85KT, YJB-100 YJC-84C, YJC-84MK, YJF-94 YJF-116KH, YJK-84R, YJL-83M YJM-84K, YJR-86A, PSK-110AC	100

ASSEMBLE WITH P.G PART YJA-SERIES, YJB-SERIES, YJC-SERIES, YJF-SERIES, YJK-SERIES, YJL-SERIES, YJM-SERIES, YJR-SERIES or PSK-SERIES (Page 12-8, 12-9, 12-11-2, 12-12, 12-13, 12-14-1)

束線帶 CABLE TIES

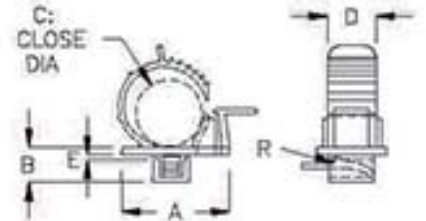
PINGOOD

12-16-1



電源線固定座 POWER CORD MOUNTING

MATERIAL: NYLON 66(UL)
FLAME CLASS: 94V-2
COLOR: BLACK



PART NO	A	B	C CLOSE DIA	D	E	R	ASSEMBLE WITH P.G. PART	PACKAGE
FWM-15QL	20.5	8.3	φ11.5~φ15.3	11.0	1.8	RO.1	YJP-86HC	100
★ FYA-15KC	24.8	8.1	φ11.5~φ15.3	11.0	1.35	RO.2	YJA-85, YJA-85KT, YJB-100 YJC-84C, YJC-84MK, YJF-94 YJF-116KH, YJK-84R, YJL-83M YJM-84K, YJR-86A, PSK-110AC	
FYA-15TR	24.8	8.1	φ11.5~φ15.3	11.0	1.3	RO.1		

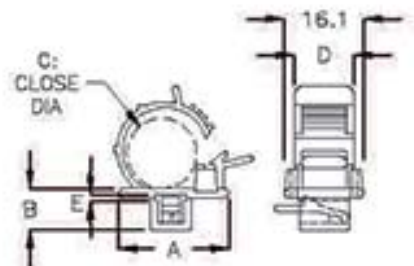
ASSEMBLE WITH P.G PART YJA-SERIES, YJB-SERIES, YJC-SERIES, YJF-SERIES, YJK-SERIES, YJL-SERIES, YJM-SERIES, YJP-SERIES, YJR-SERIES or PSK-SERIES (Page 12-8, 12-9, 12-10-1, 12-11-2, 12-12, 12-13, 12-14-1)

12-16-2



電源線固定座 POWER CORD MOUNTING

MATERIAL: NYLON 66(UL)
FLAME CLASS: 94V-2
COLOR: BLACK



PART NO	A	B	C CLOSE DIA	D	E	ASSEMBLE WITH P.G. PART	PACKAGE
FYD-13K	22.5	8.4	φ11.0~φ13.0	12.1	1.3	YJA-85, YJA-85KT, YJB-100 YJC-84C, YJC-84MK, YJF-94 YJF-116KH, YJK-84R, YJL-83M YJM-84K, YJR-86A, PSK-110AC	100

ASSEMBLE WITH P.G PART YJA-SERIES, YJB-SERIES, YJC-SERIES, YJF-SERIES, YJK-SERIES, YJL-SERIES, YJM-SERIES, YJR-SERIES or PSK-SERIES (Page 12-8, 12-9, 12-11-2, 12-12, 12-13, 12-14-1)

束線帶 CABLE TIES

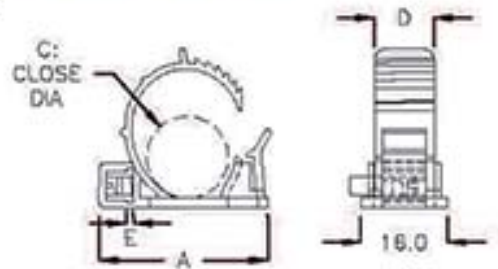
PINGOOD

12-17-1



電源線固定座 POWER CORD MOUNTING

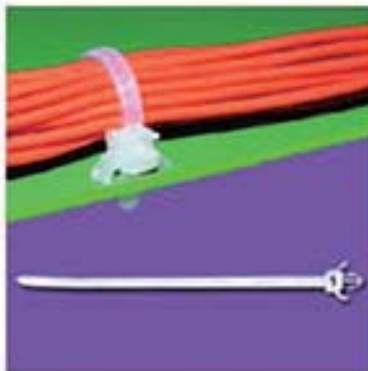
MATERIAL: NYLON 66(UL)
FLAME CLASS: 94V-2
COLOR: BLACK



PART NO	A	C CLOSE DIA	D	E	ASSEMBLE WITH P.G. PART	PACKAGE
FYL-17C	31.1	ø15.0~ø17.0	11.0	1.35	YJA-85, YJA-85KT, YJB-100 YJC-64C, YJC-64MK, YJF-94 YJF-116KH, YJK-84R, YJL-83M YJM-84K, YJR-86A, PSK-110AC	100

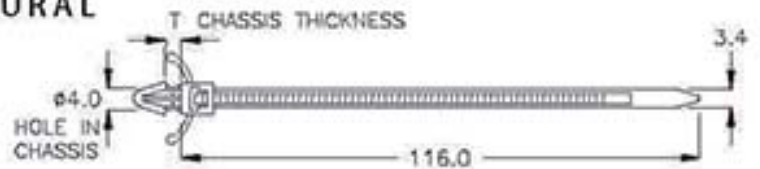
ASSEMBLE WITH P.G PART YJA-SERIES, YJB-SERIES, YJC-SERIES, YJF-SERIES, YJK-SERIES, YJL-SERIES, YJM-SERIES, YJR-SERIES or PSK-SERIES (Page 12-8, 12-9, 12-11-2, 12-12, 12-13, 12-14-1)

12-17-2



電線束線帶 MOUNTING CABLE TIE

MATERIAL: NYLON 66(UL)
FLAME CLASS: 94V-2
COLOR: NATURAL



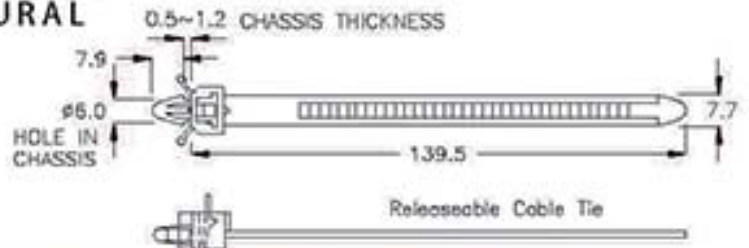
PART NO	APPROX LENGTH	APPROX WIDTH	MAX BUNDLE DIA	T CHASSIS THICKNESS	PACKAGE
YJ-123	123(4.84")	3.4(0.13")	25.4(1.00")	0.8~2.0	500
YJ-123TK	123(4.84")	3.4(0.13")	25.4(1.00")	2.0~2.5	

12-17-3



電線束線帶 MOUNTING CABLE TIE

MATERIAL: NYLON 66(UL)
FLAME CLASS: 94V-2
COLOR: NATURAL



PART NO	APPROX LENGTH	APPROX WIDTH	MAX BUNDLE DIA	PACKAGE
YJ-151	149.0(5.86")	7.7(0.3")	33(1.3")	100

束線帶 CABLE TIES

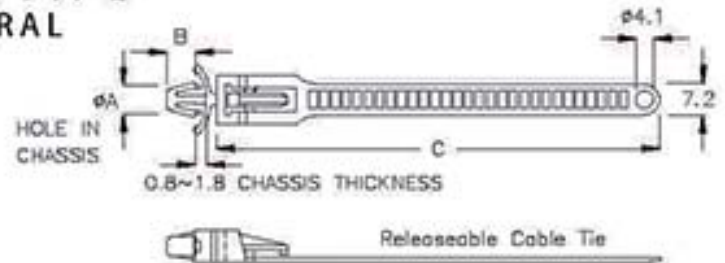
PINGOOD

12-18-1



電線束線帶 MOUNTING CABLE TIE

MATERIAL: NYLON 66(UL)
FLAME CLASS: 94V-2
COLOR: NATURAL



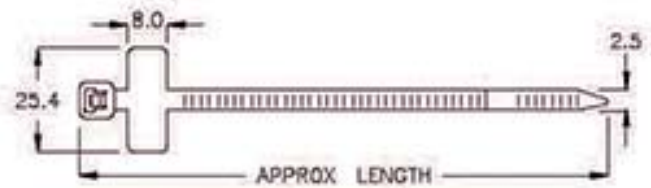
PART NO.	A	B	C	APPROX. LENGTH	APPROX. WIDTH	MAX. BUNDLE DIA.	PACKAGE
YAA-118	6.5	7.1	117.4	129(5.08")	7.2(0.284")	28.5(1.125")	100
YAA-150	3.8	5.0	150.0	160(6.30")	7.2(0.284")	40.0(1.575")	

12-18-2



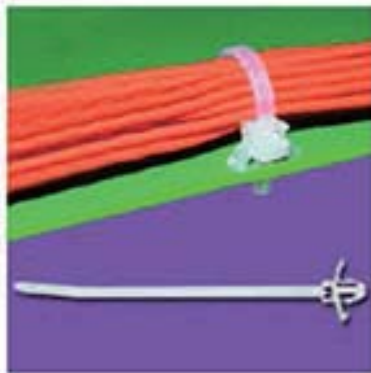
電線束線帶 MARKER TIE

MATERIAL: NYLON 66(UL)
FLAME CLASS: 94V-2
COLOR: NATURAL



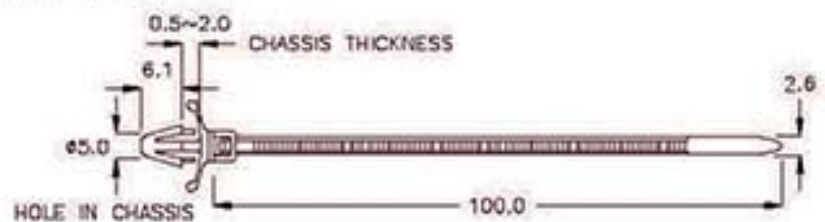
PART NO.	APPROX. LENGTH	APPROX. WIDTH	MAX. BUNDLE DIA.	PACKAGE
MCT-98	99(3.86")	2.5(0.10")	21.0(0.81")	500

12-18-3



電線束線帶 MOUNTING CABLE TIE

MATERIAL: NYLON 66(UL)
FLAME CLASS: 94V-2
COLOR: NATURAL

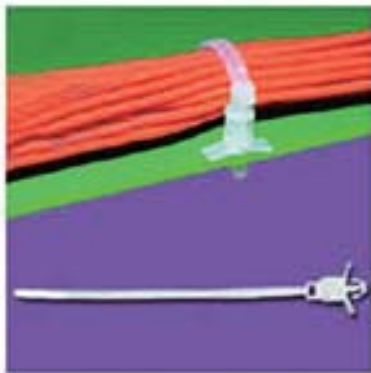


PART NO.	APPROX. LENGTH	APPROX. WIDTH	MAX. BUNDLE DIA.	PACKAGE
YJ-99T	108(4.25")	2.6(0.10")	22.0(0.86")	500

束線帶 CABLE TIES

PINGOOD

12-19-1



電線束線帶 MOUNTING CABLE TIE

MATERIAL: NYLON 66(UL)
FLAME CLASS: 94V-2
COLOR: NATURAL



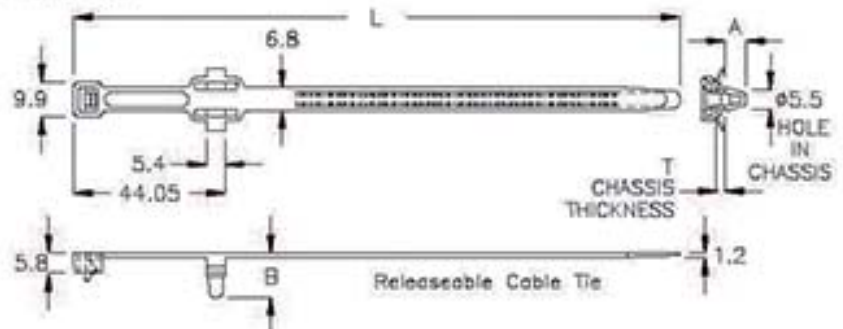
PART NO.	APPROX. LENGTH	APPROX. WIDTH	MAX. BUNDLE DIA.	PACKAGE
YJ-138T	114.8(4.52")	2.5(0.10")	25.4(1.00")	500

12-19-2



電線束線帶 MOUNTING CABLE TIE

MATERIAL: NYLON 66(UL)
FLAME CLASS: 94V-0
COLOR: BLACK



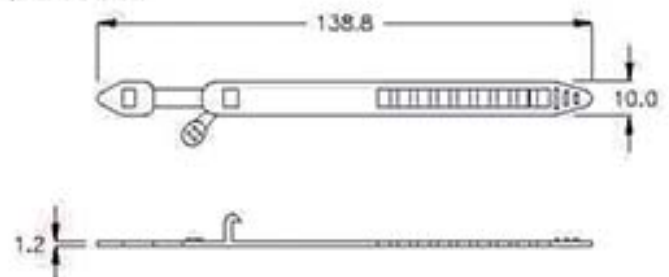
PART NO.	A	B	L	APPROX. WIDTH	MAX. BUNDLE DIA.	T CHASSIS THICKNESS	PACKAGE
YAM-180RC	5.1	12.4	180(7.09")	6.8(0.268")	45.0(1.772")	2.3~2.5	200
YAM-180MQ	6.0	12.8	180(7.09")	6.8(0.268")	45.0(1.772")	0.5~2.0	

12-19-3



電源收線固定帶 STRAP TIE (BST-1)

MATERIAL: PE
COLOR: NATURAL, BLACK
PACKAGE: 500



*SUITABLE BUNDLE DIA: ϕ 10.0~ ϕ 27.0

束線帶 CABLE TIES

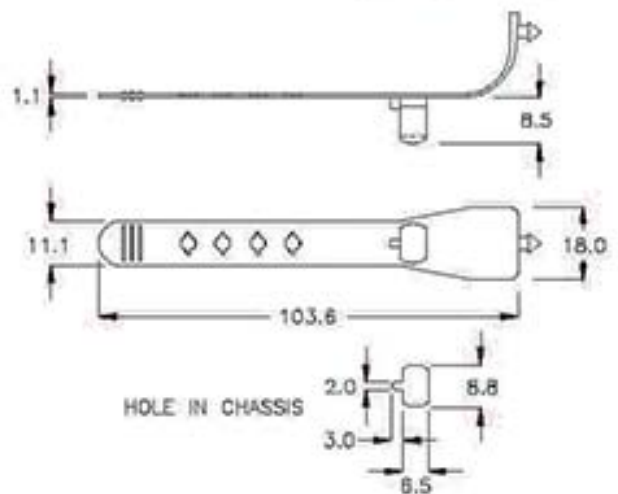
PINGOOD

12-20-1

電源收線固定帶 STRAP TIE (BST-2)



MATERIAL: PE
COLOR: BLACK
PACKAGE: 200

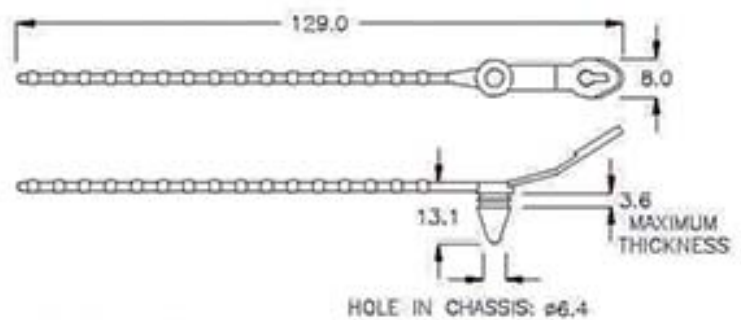


12-20-2

電源收線固定帶 STRAP TIE (BST-3)



MATERIAL: NYLON 66(UL)
FLAME CLASS: 94V-2
COLOR: BLACK, NATURAL
PACKAGE: 500



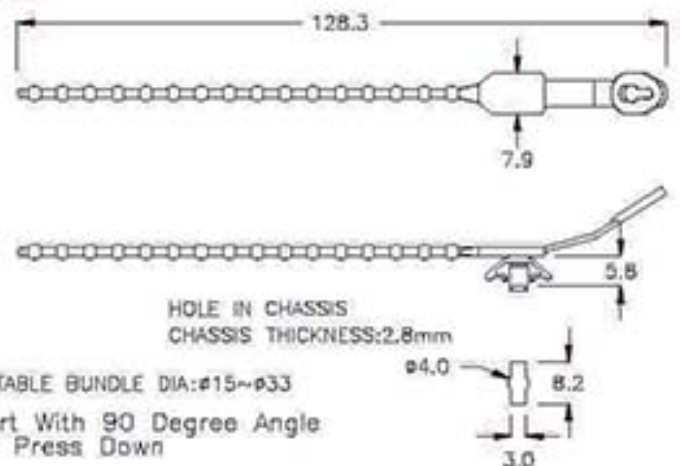
*SUITABLE BUNDLE DIA: ϕ 15.0~ ϕ 35.0

12-20-3

電源收線固定帶 STRAP TIE (BST-128)



MATERIAL: NYLON 66(UL)
FLAME CLASS: 94V-2
COLOR: BLACK
PACKAGE: 500



*SUITABLE BUNDLE DIA: ϕ 15~ ϕ 33

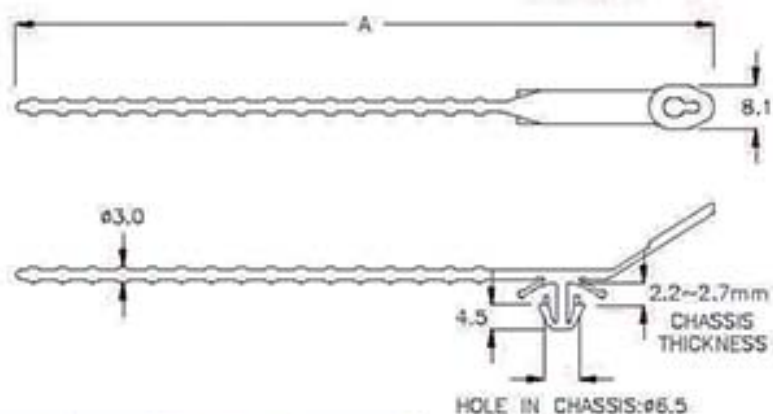
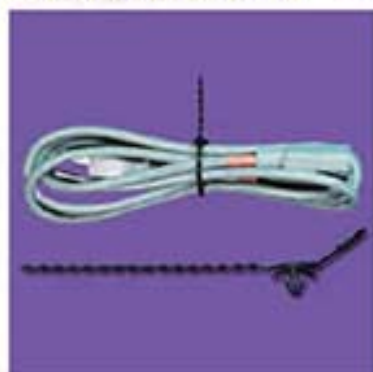
Insert With 90 Degree Angle
And Press Down

束線帶 CABLE TIES

PINGOOD

12-21-1

電源收線固定帶 STRAP TIE

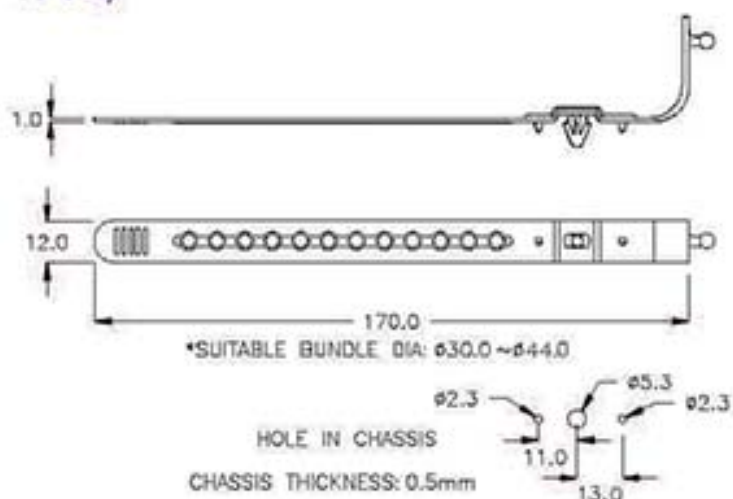


MATERIAL: NYLON 66(UL)
FLAME CLASS: 94V-2
COLOR: BLACK, NATURAL

PART NO	A	SUITABLE BUNDLE DIA	PACKAGE
BST-129	129.0	φ15.0~φ35.0	500

12-21-2

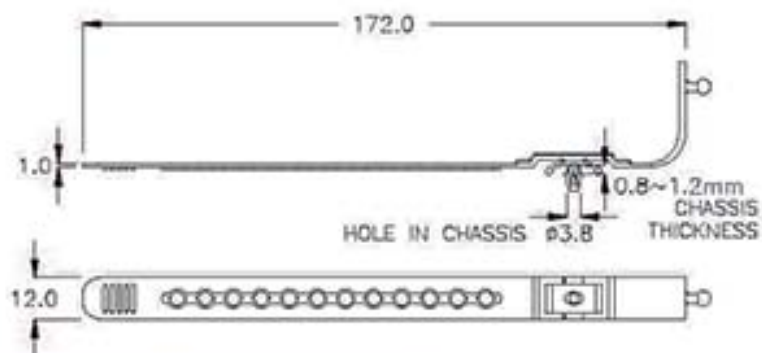
電源收線固定帶 STRAP TIE (BST-170C)



MATERIAL: PE
COLOR: BLACK
PACKAGE: 100

12-21-3

電源收線固定帶 STRAP TIE



MATERIAL: PE
COLOR: BLACK

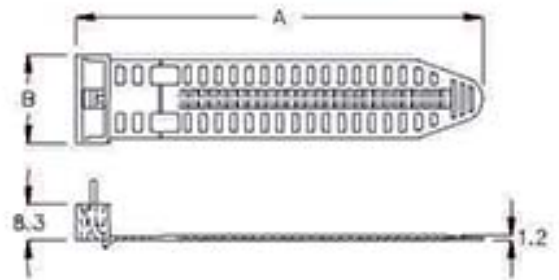
PART NO	A	SUITABLE BUNDLE DIA	PACKAGE
BST-172CF	172.0	φ30.0~φ44.0	200

束線帶 CABLE TIES

PINGOOD

12-22-1

電源收線固定帶 STRAP TIE

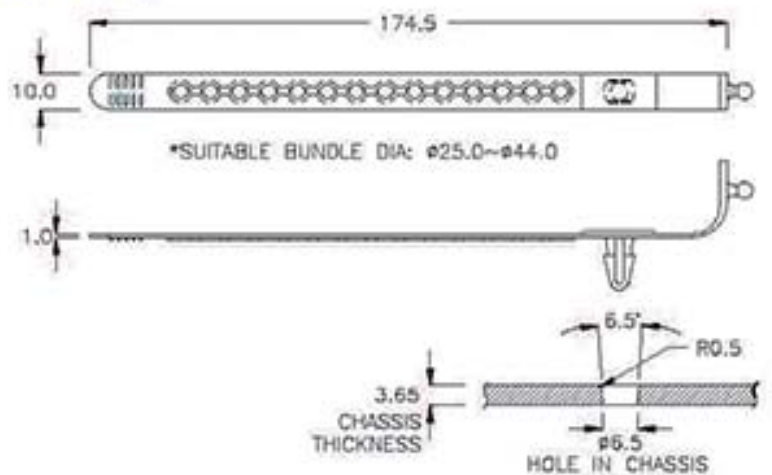


MATERIAL: NYLON 66(UL)
FLAME CLASS: 94V-2
COLOR: BLACK

PART NO	A	B	SUITABLE BUNDLE DIA	PACKAGE
YJD-85H	92.5	20.1	φ9.0~φ19.0	100

12-22-2

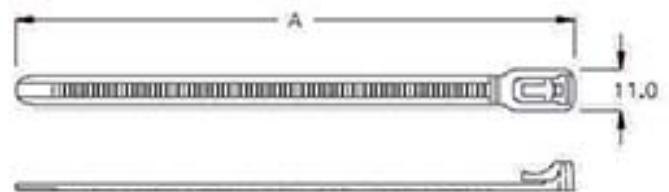
電源收線固定帶 STRAP TIE (BST-174A)



MATERIAL: PE
COLOR: BLACK
PACKAGE: 100

12-22-3

電源收線固定帶 STRAP TIE



Releaseable Cable Tie

MATERIAL: NYLON 66(UL)
FLAME CLASS: 94V-2
COLOR: NATURAL

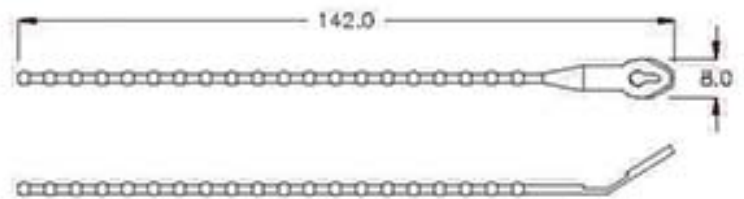
PART NO	A	SUITABLE BUNDLE DIA	PACKAGE
YAK-148	148.0	φ8.0~φ36.0	500
YAK-196A	196.4	φ8.0~φ50.0	

束線帶 CABLE TIES

PINGOOD

12-23-1

電源收線固定帶 STRAP TIE (BST-3A)

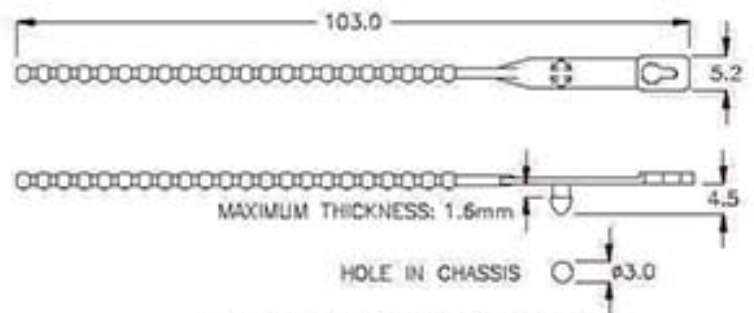


*SUITABLE BUNDLE DIA: $\phi 5.5 \sim \phi 39.0$

MATERIAL: NYLON 66(UL)
FLAME CLASS: 94V-2
COLOR: BLACK, NATURAL
PACKAGE: 500

12-23-2

電源收線固定帶 STRAP TIE (BST-5)

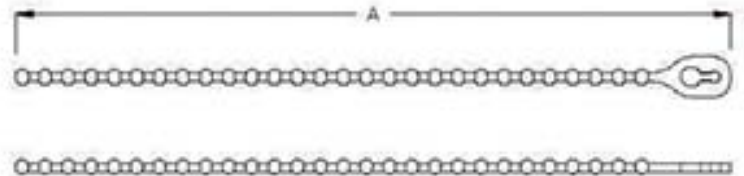


*SUITABLE BUNDLE DIA: $\phi 9.5 \sim \phi 27.0$

MATERIAL: NYLON 66(UL)
FLAME CLASS: 94V-2
COLOR: BLACK
PACKAGE: 500

12-23-3

活動束線帶 MOVABLE TIE



PART NO	A	SUITABLE BUNDLE DIA	PACKAGE
BST-6A	106.0	$\phi 6.0 \sim \phi 27.0$	500
BST-6C	70.0	$\phi 6.0 \sim \phi 17.0$	
BST-6HJ	88.0	$\phi 6.0 \sim \phi 20.0$	

MATERIAL: NYLON 66(UL)
FLAME CLASS: 94V-2
COLOR: NATURAL, BLACK

束線帶 CABLE TIES

PINGOOD

12-24-1



活動束線帶 STRAP TIE

MATERIAL: NYLON 66(UL)
FLAME CLASS: 94V-2
COLOR: BLACK



PART NO	A	SUITABLE BUNDLE DIA	PACKAGE
BXR-86	86.0	φ13.0	500

12-24-2



活動束線帶 STRAP TIE

MATERIAL: NYLON 66(UL)
FLAME CLASS: 94V-2
COLOR: NATURAL, BLACK



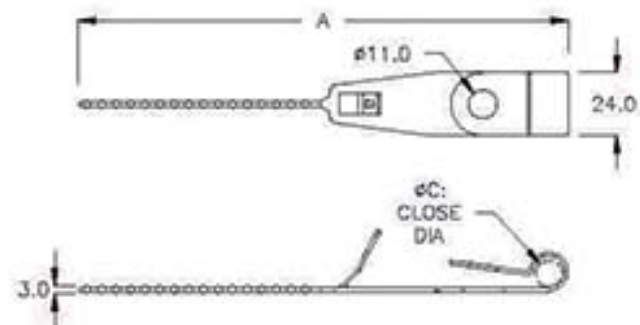
PART NO	A	SUITABLE BUNDLE DIA	PACKAGE
BFN-102	125.6	φ30.0	500

12-24-3



活動束線帶 STRAP TIE

MATERIAL: NYLON 66(UL)
FLAME CLASS: 94V-2
COLOR: BLACK



PART NO	A	SUITABLE BUNDLE DIA	φC CLOSE DIA	PACKAGE
BST-185P	185.0	φ15.4~φ32.4	φ10.0	10

束線帶 CABLE TIES

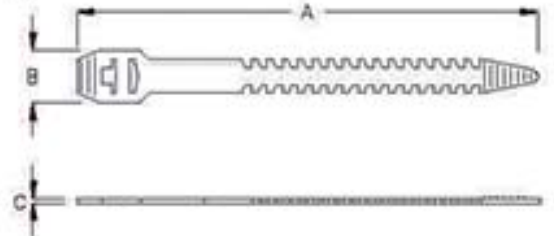
PINGOOD

12-25-1



電源收線固定帶 STRAP TIE

MATERIAL: PE
COLOR: NATURAL, BLACK



PART NO	A	B	C	BUNDLE DIA	PACKAGE
LST-6	141.5	15.5	2.0	φ16.0~φ34.0	500
LST-8	158.5	15.8	2.5	φ26.0~φ38.0	100

12-25-2



電源收線固定帶 STRAP TIE (LST-10)

MATERIAL: PE
COLOR: NATURAL, BLACK
PACKAGE: 500

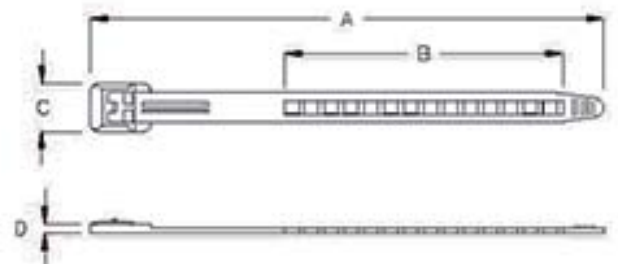


12-25-3



電源收線固定帶 STRAP TIE

COLOR: NATURAL, BLACK

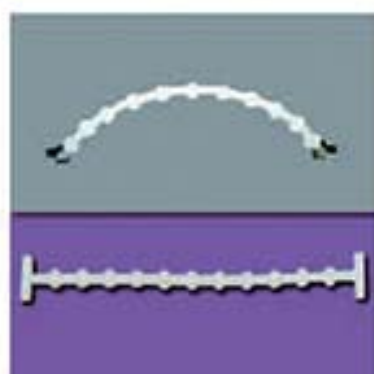


PART NO	MATERIAL	A	B	C	D	BUNDLE DIA	PACKAGE
PST-1	N66	125.0	63.75	13.0	2.5	φ15.0~φ33.0	500
PST-2A	N66/PE	151.5	80.0	14.5	2.6	φ15.0~φ39.0	
PST-5	PE	180.4	109.5	14.5	2.6	φ15.5~φ47.5	
PST-6	PE	209.0	139.0	14.5	2.6	φ20.0~φ55.0	

束線帶 CABLE TIES

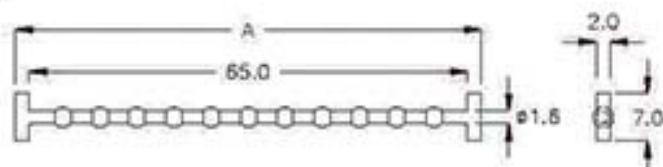
PINGOOD

12-26-1



活動束線帶 STRAP TIE (BST-4)

MATERIAL: NYLON 66(UL)
FLAME CLASS: 94V-2
COLOR: NATURAL



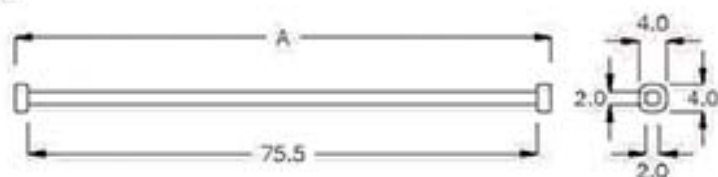
PART NO	A	PACKAGE
BST-4	69.0	1000

12-26-2



把手 PULLER

MATERIAL: NYLON 66(UL)
FLAME CLASS: 94V-2
COLOR: BLACK



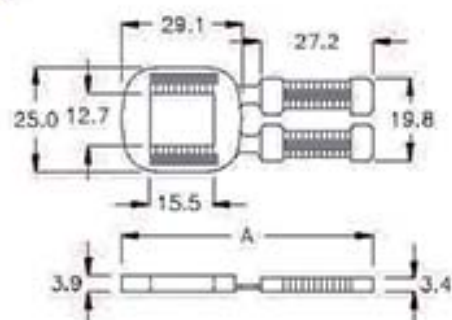
PART NO	A	PACKAGE
BSQ-75A	79.5	2000

12-26-3

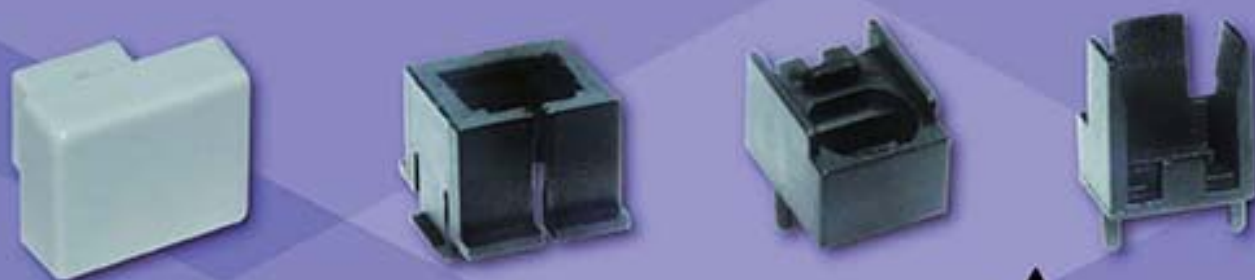


打包扣 PACKING FASTENER

MATERIAL: PP
COLOR: NATURAL



PART NO	A	PACKAGE
PF-1	60.8	200



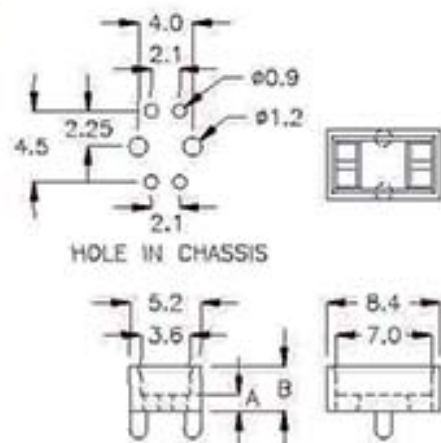
其他塑膠製品
SWITCH EXTENDING COVER
VR HOUSING
FUSE COVER



IR座 IR RECEIVER HOUSING

MATERIAL: NYLON 66(UL)
FLAME CLASS: 94V-2
COLOR: BLACK

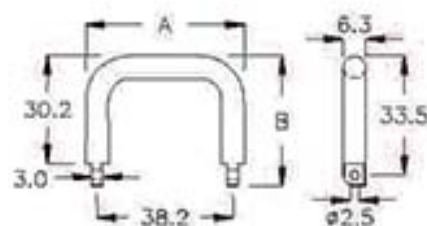
PART NO	A	B	PACKAGE
EED-3A	1.2	3.3	2000



把手 HANDLE

MATERIAL: POM(UL)
FLAME CLASS: 94HB
COLOR: BLACK

PART NO	A	B	PACKAGE
BSA-38	44.6	36.7	200

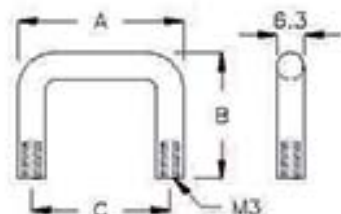


把手 HANDLE

MATERIAL: ABS+PC
FLAME CLASS: 94V-0
COLOR: BLACK

MATERIAL: BRASS

PART NO	A	B	C	PACKAGE
BWK-32PM	38.3	29.3	32.0	200
★BWK-51CT	57.3	32.0	51.0	



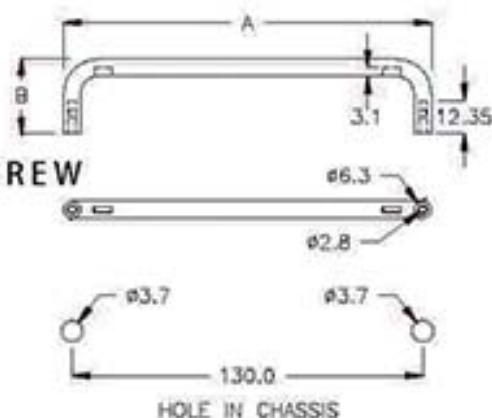
13-4-1



把手 HANDLE

MATERIAL: ABS+PC(UL)
 FLAME CLASS: 94V-0
 COLOR: BLACK
 SCREW: M3.5 TAPPING SCREW

PART NO	A	B	PACKAGE
BSA-130	136.3	27.65	100



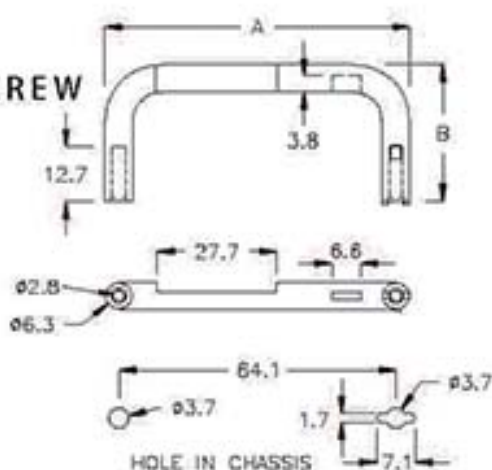
13-4-2



把手 HANDLE

MATERIAL: ABS+PC(UL)
 FLAME CLASS: 94V-0
 COLOR: BLACK
 SCREW: M3.5 TAPPING SCREW

PART NO	A	B	PACKAGE
BSA-64	70.4	31.6	200



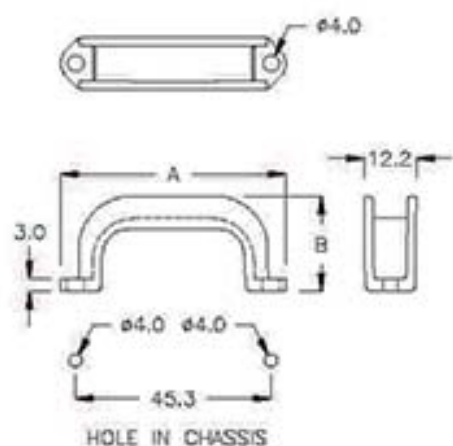
13-4-3



把手 HANDLE

MATERIAL: ABS+PC(UL)
 FLAME CLASS: 94V-0
 COLOR: BLACK

PART NO	A	B	PACKAGE
BSC-33	52.0	22.0	200



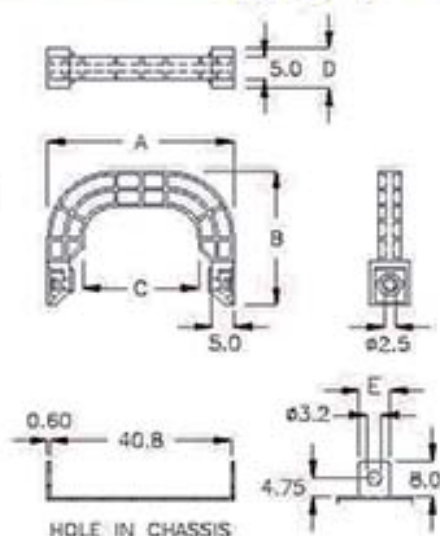
13-5-1



把手 HANDLE

MATERIAL: ABS+PC(UL)
FLAME CLASS: 94V-0
COLOR: BLACK
SCREW: M3 TAPPING SCREW

PART NO	A	B	C	D	E	PACKAGE
BWA-36	42.0	30.25	26.0	9.3	7.1	200
BWA-40H	42.0	20.0	30.0	10.0	6.8	



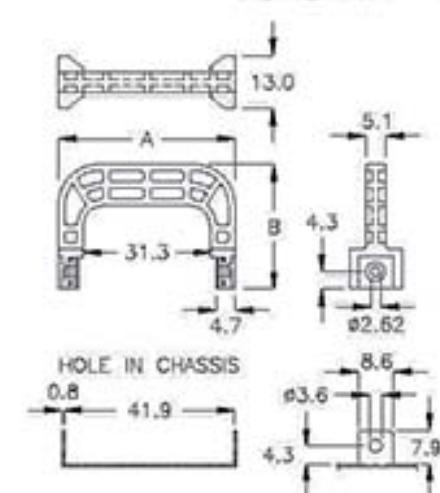
13-5-2



把手 HANDLE

MATERIAL: ABS+PC(UL)
FLAME CLASS: 94V-0
COLOR: BLACK
SCREW: M3x4mm
TAPPING SCREW

PART NO	A	B	PACKAGE
BWH-43A	43.5	30.65	200



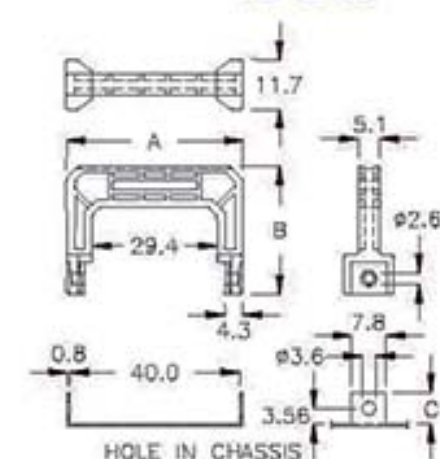
13-5-3



把手 HANDLE

MATERIAL: PC(UL)
FLAME CLASS: 94V-0
COLOR: BLACK
SCREW: M3x4mm
TAPPING SCREW

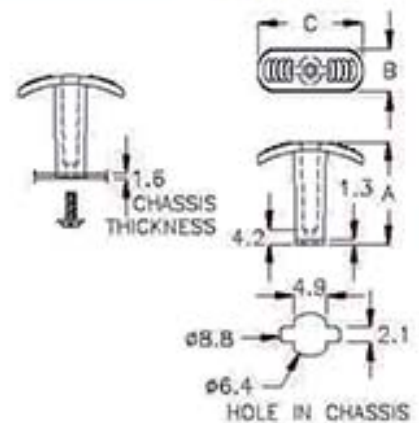
PART NO	A	B	C	PACKAGE
BWF-40GP	41.6	30.0	7.25	200
BWF-40TS	41.6	30.0	6.85	





把手 HANDLE

MATERIAL: ABS+PC(UL)
 FLAME CLASS: 94V-0
 COLOR: BLUE
 SCREW: M3 TAPPING SCREW

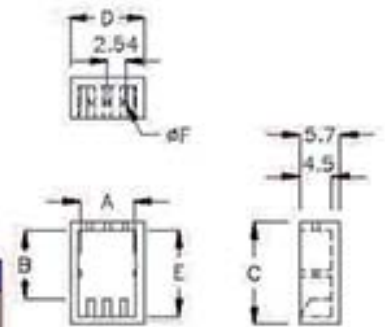


PART NO	A	B	C	PACKAGE
BJA-30C	30.2	12.9	30.9	100



IR座 IR RECEIVER HOUSING

MATERIAL: NYLON 66(UL)
 FLAME CLASS: 94V-2
 COLOR: BLACK

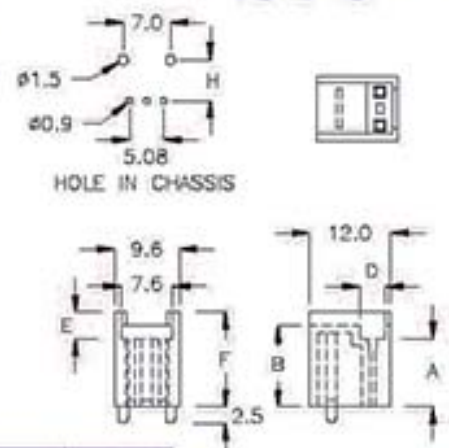


PART NO	A	B	C	D	E	F	PACKAGE
CDS-1A	7.5	9.6	14.4	10.4	12.0	ø0.8	500
CDS-1C	6.6	8.6	14.4	9.3	10.4	ø1.0	



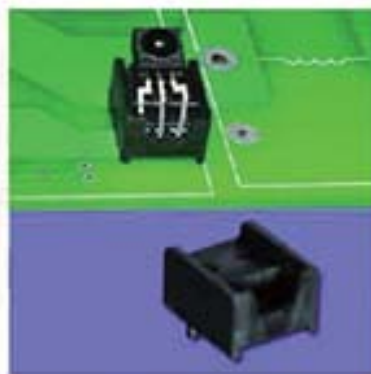
IR座 IR RECEIVER HOUSING

MATERIAL: NYLON 66(UL)
 FLAME CLASS: 94V-2
 COLOR: NATURAL



PART NO	A	B	D	E	F	H	PACKAGE
CDS-2A	1.5	3.5	3.8	4.0	5.5	6.0	500
CDS-2M	1.5	3.5	3.8	4.0	5.5	6.0	
CDS-4G	4.5	6.5	3.8	4.0	8.5	8.0	
CDS-4WP	4.15	6.5	5.0	4.35	8.5	8.0	
CDS-5F	4.5	6.5	3.8	3.5	8.0	6.0	
CDS-07	7.0	9.0	3.8	4.0	11.0	6.0	
CDS-10A	10.0	12.0	3.8	4.0	14.0	6.0	
CDS-13A	13.7	15.7	3.8	4.0	17.7	5.3	
CDS-13OF	13.35	15.7	5.0	4.35	17.7	5.3	

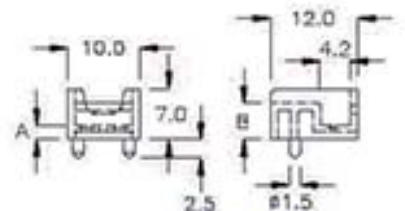
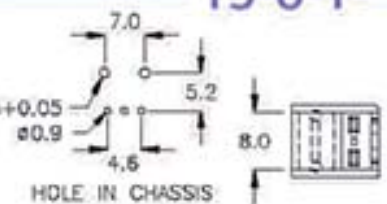
13-8-1



IR座 IR RECEIVER HOUSING

MATERIAL: NYLON 66(UL)
 FLAME CLASS: 94V-2
 COLOR: BLACK

PART NO.	A	B	PACKAGE
CDS-2D	2.0	5.0	500



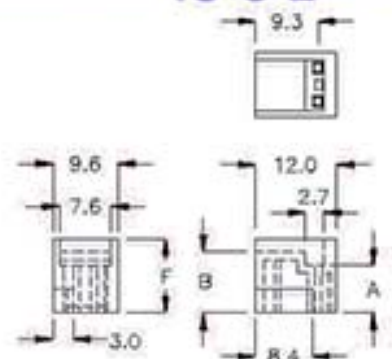
13-8-2



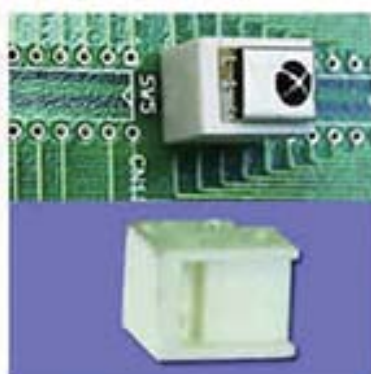
IR座 IR RECEIVER HOUSING

MATERIAL: NYLON 66(UL)
 FLAME CLASS: 94V-2
 COLOR: NATURAL

PART NO.	A	B	F	PACKAGE
CDS-7A	7.0	9.0	11.0	500



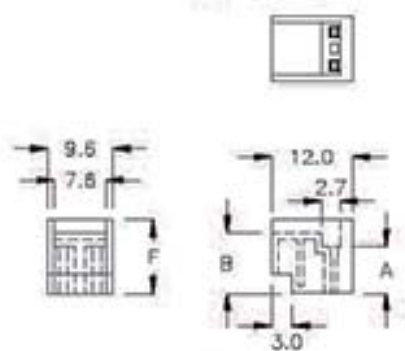
13-8-3



IR座 IR RECEIVER HOUSING

MATERIAL: NYLON 66(UL)
 FLAME CLASS: 94V-2
 COLOR: NATURAL

PART NO.	A	B	F	PACKAGE
CDS-7B	7.0	9.0	11.0	500



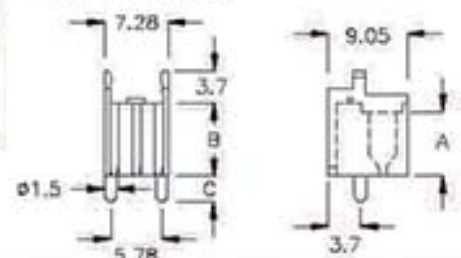
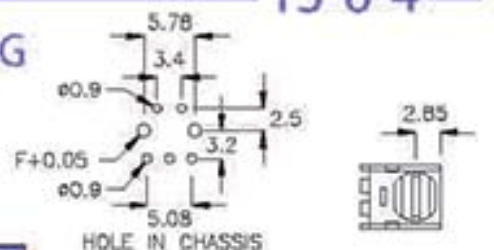
13-8-4



IR座 IR RECEIVER HOUSING

MATERIAL: NYLON 66(UL)
 FLAME CLASS: 94V-2
 COLOR: NATURAL

PART NO.	A	B	C	F	PACKAGE
CDS-04	3.0	4.0	3.0	1.55	1000
CDS-4H	3.0	4.0	1.4	1.55	500
CDS-8A	6.6	7.6	3.0	1.60	
CDS-12	10.9	11.9	3.0	1.55	

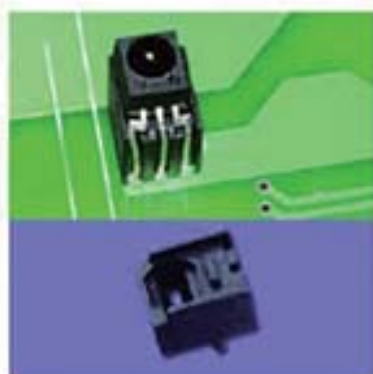
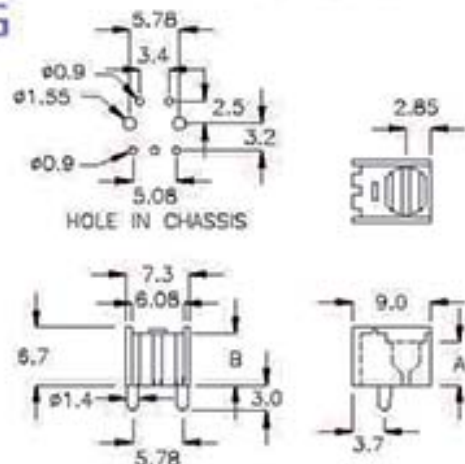




IR座 IR RECEIVER HOUSING

MATERIAL: NYLON 66(UL)
FLAME CLASS: 94V-2
COLOR: BLACK

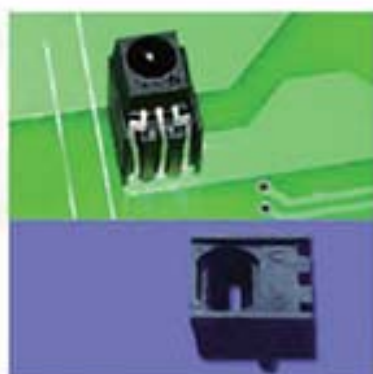
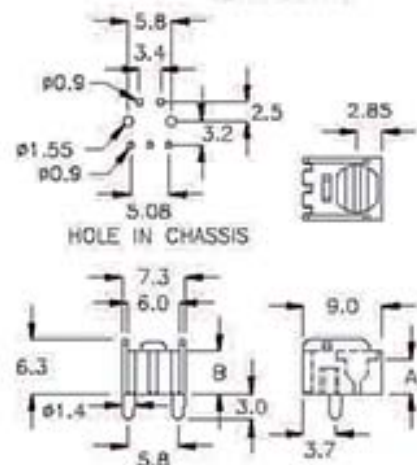
PART NO	A	B	PACKAGE
CDS-6A	5.0	6.0	500



IR座 IR RECEIVER HOUSING

MATERIAL: NYLON 66(UL)
FLAME CLASS: 94V-2
COLOR: BLACK

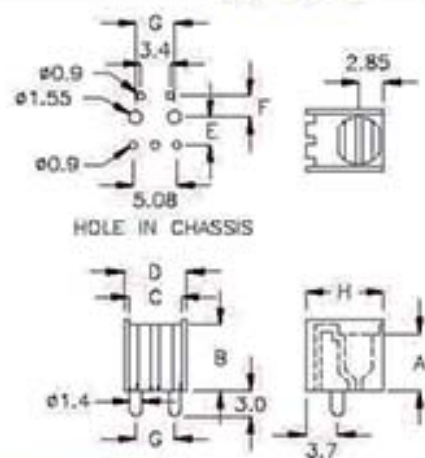
PART NO	A	B	PACKAGE
CDS-4D	4.0	5.0	1000



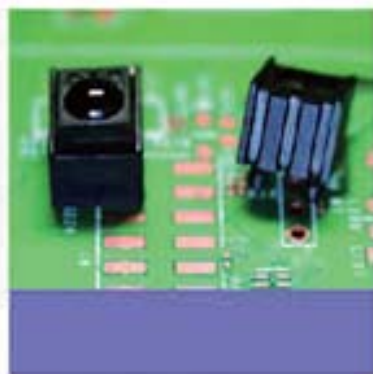
IR座 IR RECEIVER HOUSING

MATERIAL: NYLON 66(UL)
FLAME CLASS: 94V-2
COLOR: BLACK

PART NO	A	B	C	D	E	F	G	H	PACKAGE
CDS-03	2.0	3.0	7.7	8.9	3.2	4.5	5.78	11.5	500
CDS-6C	5.0	6.0	6.1	7.3	3.2	2.5	4.5	9.05	
CDS-6D	5.0	6.0	6.1	7.3	3.2	2.5	4.5	9.05	
CDS-8C	5.0	8.0	6.1	7.3	3.2	2.5	4.5	9.05	



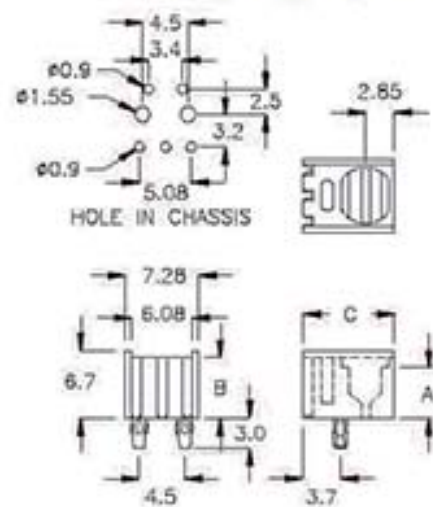
13-10-1



IR座 IR RECEIVER HOUSING

MATERIAL: NYLON 66(UL)
FLAME CLASS: 94V-2
COLOR: BLACK

PART NO	A	B	C	PACKAGE
CDS-6J	5.0	6.0	9.05	500



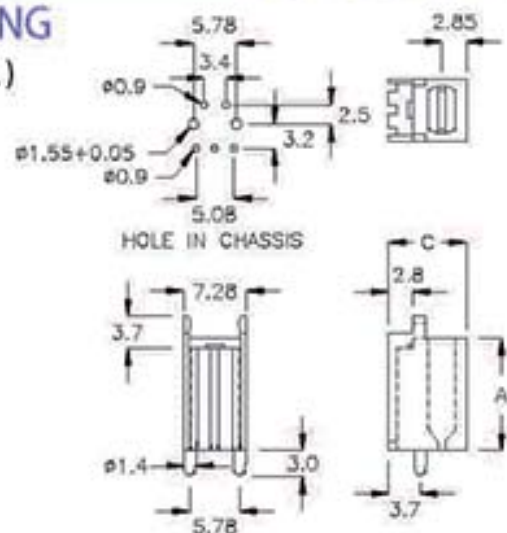
13-10-2



IR座 IR RECEIVER HOUSING

MATERIAL: NYLON 66(UL)
FLAME CLASS: 94V-2
COLOR: BLACK

PART NO	A	C	PACKAGE
CDS-13	13.0	9.05	500



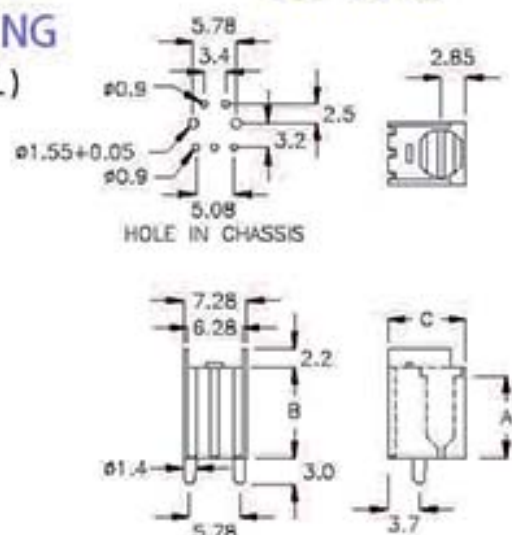
13-10-3



IR座 IR RECEIVER HOUSING

MATERIAL: NYLON 66(UL)
FLAME CLASS: 94V-2
COLOR: BLACK

PART NO	A	B	C	PACKAGE
CDS-10C	9.6	10.6	9.05	500



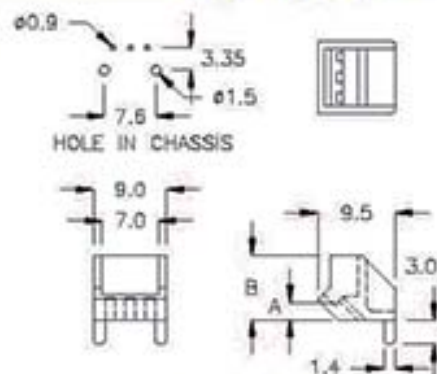
13-12-1



IR座 IR RECEIVER HOUSING

MATERIAL: NYLON 66(UL)
FLAME CLASS: 94V-2
COLOR: BLACK

PART NO	A	B	PACKAGE
CDS-2H	2.6	8.0	1000



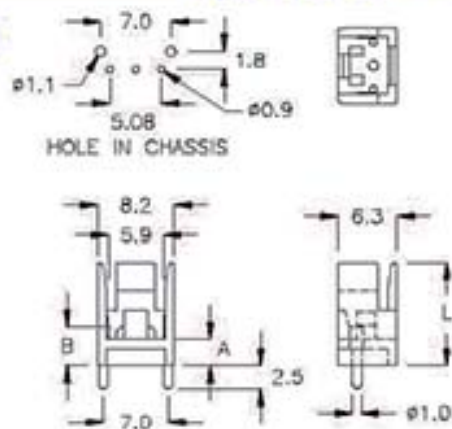
13-12-2



IR座 IR RECEIVER HOUSING

MATERIAL: NYLON 66(UL)
FLAME CLASS: 94V-2
COLOR: BLACK

PART NO	A	B	L	PACKAGE
CDS-4C	2.85	4.15	11.1	1000
CDS-5DM	4.45	5.75	12.8	



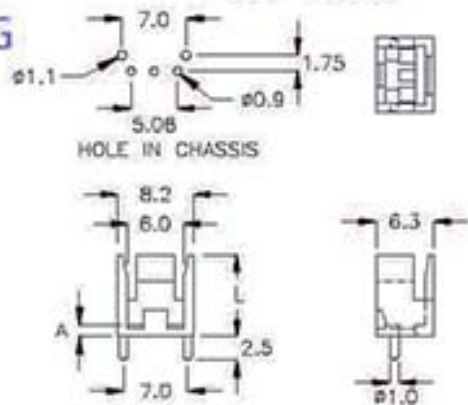
13-12-3



IR座 IR RECEIVER HOUSING

MATERIAL: NYLON 66(UL)
FLAME CLASS: 94V-2
COLOR: BLACK

PART NO	A	L	PACKAGE
CDS-1J	1.3	8.9	1000
CDS-8DQ	8.3	15.9	500



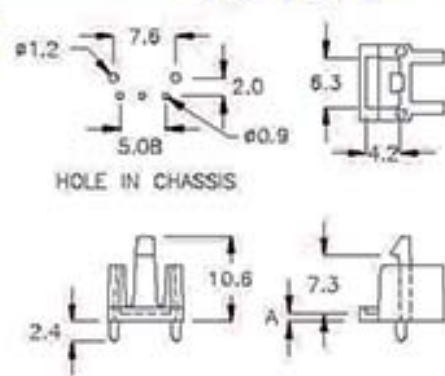
13-12-4



IR座 IR RECEIVER HOUSING

MATERIAL: NYLON 66(UL)
FLAME CLASS: 94V-2
COLOR: BLACK

PART NO	A	PACKAGE
CDS-1F	1.0	2000

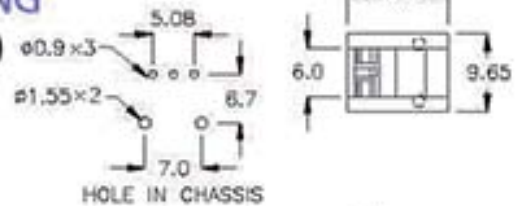


13-13-1

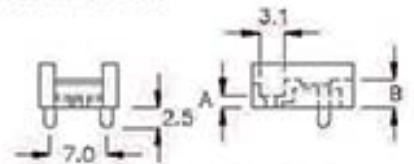


IR座 IR RECEIVER HOUSING

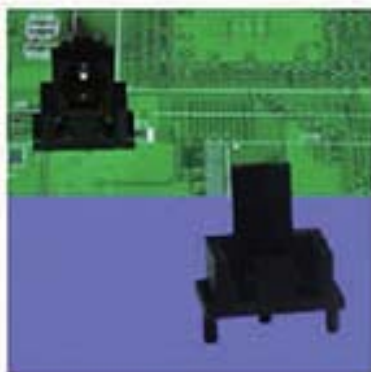
MATERIAL: NYLON 66(UL)
FLAME CLASS: 94V-2
COLOR: NATURAL



PART NO	A	B	PACKAGE
CDS-2J	1.5	3.5	500

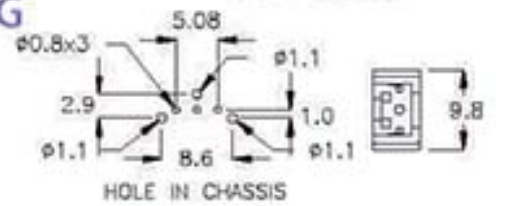


13-13-2

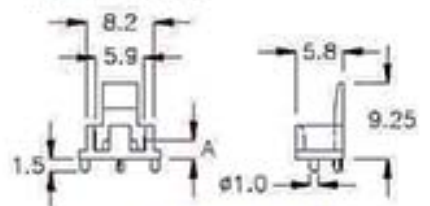


IR座 IR RECEIVER HOUSING

MATERIAL: NYLON 66(UL)
FLAME CLASS: 94V-2
COLOR: BLACK



PART NO	A	PACKAGE
CDS-2PS	2.3	1000

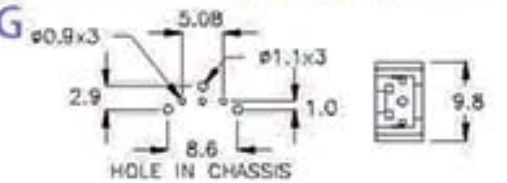


13-13-3

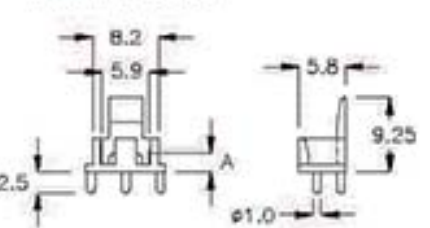


IR座 IR RECEIVER HOUSING

MATERIAL: NYLON 66(UL)
FLAME CLASS: 94V-2
COLOR: BLACK



PART NO	A	PACKAGE
CDS-2K	2.3	1000

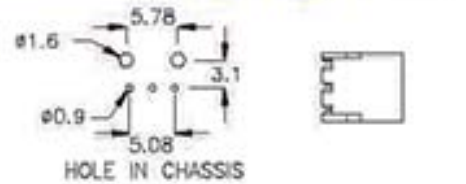


13-13-4

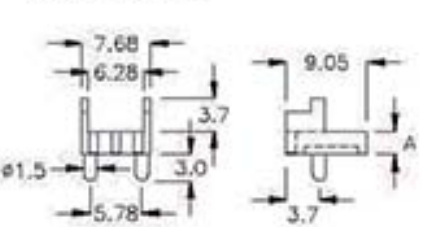


IR座 IR RECEIVER HOUSING

MATERIAL: NYLON 66(UL)
FLAME CLASS: 94V-2
COLOR: BLACK



PART NO	A	PACKAGE
CDS-2L	1.7	500



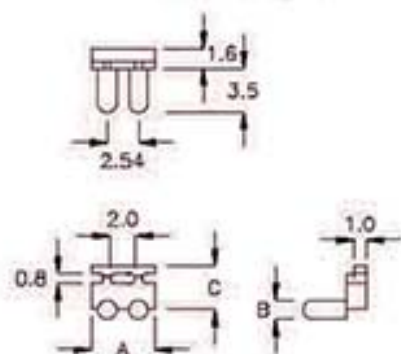
13-14-1



IR座 IR RECEIVER HOUSING

MATERIAL: NYLON 66(UL)
FLAME CLASS: 94V-2
COLOR: BLACK

PART NO	A	B	C	PACKAGE
CDS-4F	5.0B	ø1.5	3.5	1000



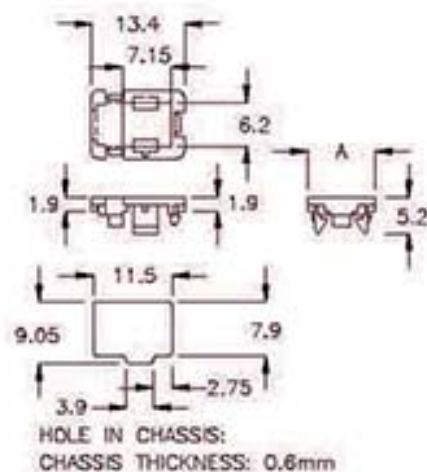
13-14-2



IR座 IR RECEIVER HOUSING

MATERIAL: NYLON 66(UL)
FLAME CLASS: 94V-2
COLOR: BLACK

PART NO	A	PACKAGE
CDS-11TR	9.8	1000

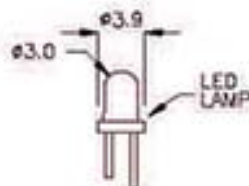


13-14-3

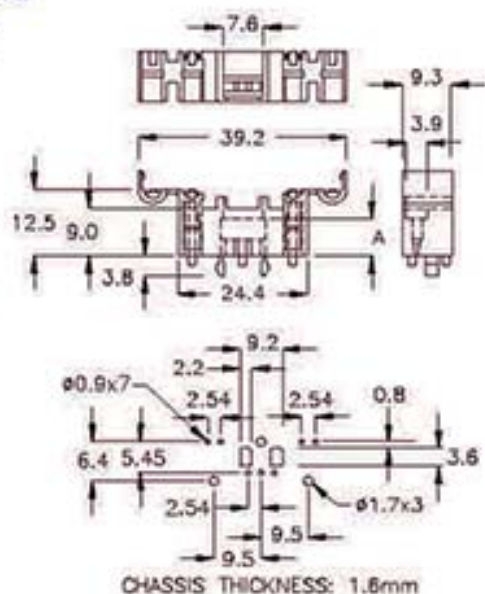


IR座 IR RECEIVER HOUSING

MATERIAL: NYLON 66(UL)
FLAME CLASS: 94V-2
COLOR: BLACK



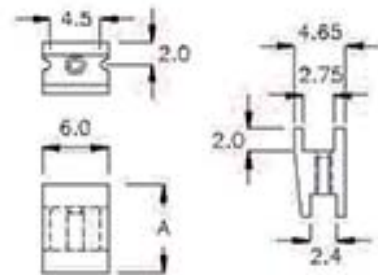
PART NO	A	CHASSIS THICKNESS	PACKAGE
C0Y-7M	7.0	1.6	200





IR座 IR RECEIVER HOUSING

MATERIAL: NYLON 66(UL)
FLAME CLASS: 94V-2
COLOR: BLACK

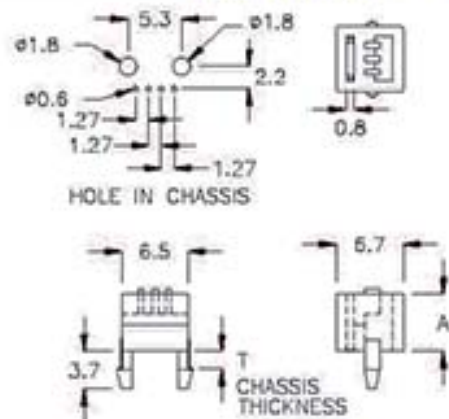


PART NO.	A	PACKAGE
CDA-08	8.0	1000



固定座 HOLDER

MATERIAL: NYLON 66(UL)
FLAME CLASS: 94V-2
COLOR: BLACK

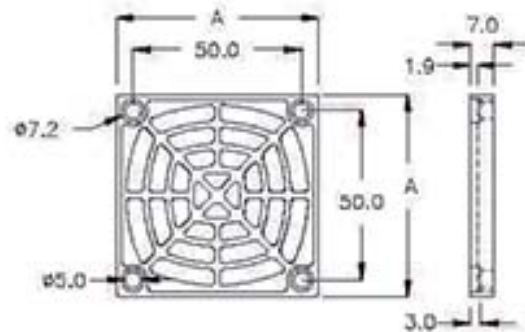


PART NO.	A	T CHASSIS THICKNESS	PACKAGE
CDT-4A	5.65	1.6	1000



風扇罩 FAN COVER

MATERIAL: ABS
FLAME CLASS: 94V-0
COLOR: BLACK

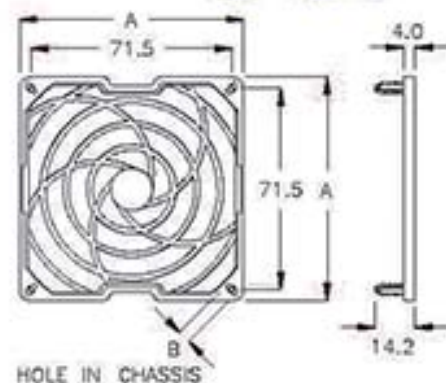


PART NO.	A	PACKAGE
NBB-03	60.0	100



風扇罩 FAN COVER

MATERIAL: NYLON 66(UL)
FLAME CLASS: 94V-2
COLOR: BLACK



PART NO.	A	B	PACKAGE
NBB-04	79.5	4.3	50

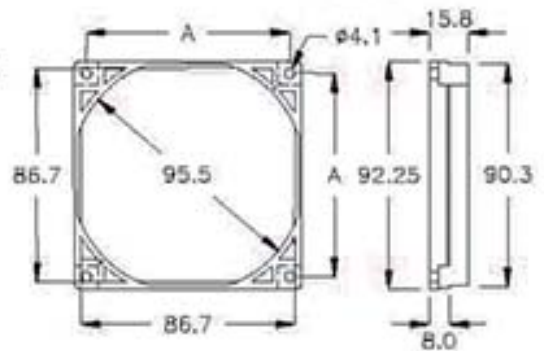
13-16-1



風扇罩 FAN COVER

MATERIAL: ABS+PC(UL)
FLAME CLASS: 94V-0
COLOR: BLACK

PART NO	A	PACKAGE
NBC-01	82.5	20



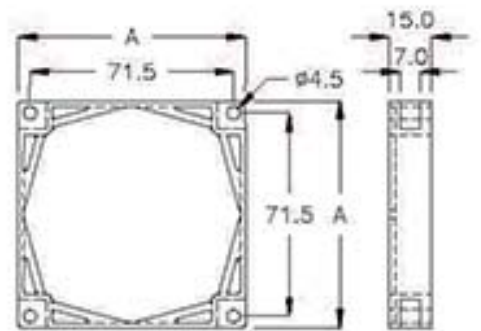
13-16-2



風扇罩 FAN COVER

MATERIAL: PBT(UL)
FLAME CLASS: 94V-0
COLOR: BLACK

PART NO	A	PACKAGE
NBC-80	80.0	20



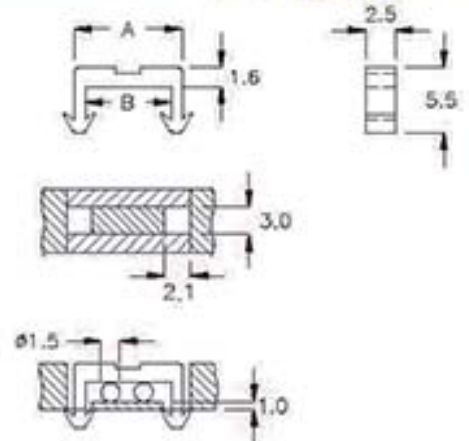
13-16-3



電線固定座 WIRE MOUNT

MATERIAL: NYLON 66(UL)
FLAME CLASS: 94V-2
COLOR: BLACK

PART NO	A	B	PACKAGE
FBA-7A	9.1	7.25	1000



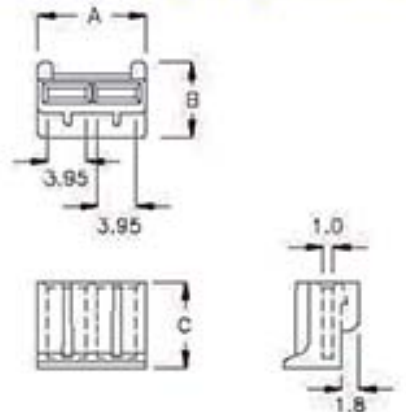
13-16-4



風扇電源座 MOUNT

MATERIAL: NYLON 66(UL)
FLAME CLASS: 94V-2
COLOR: NATURAL

PART NO	A	B	C	PACKAGE
HFC-01	11.1	7.7	8.8	500

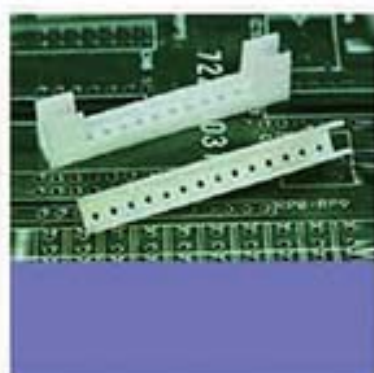
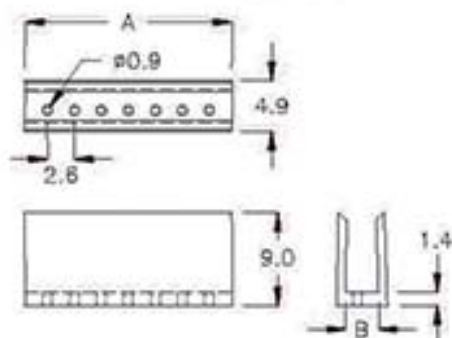




固定座 HOUSING

MATERIAL: NYLON 66(UL)
FLAME CLASS: 94V-2
COLOR: NATURAL

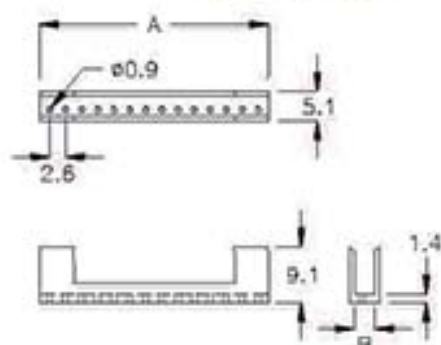
PART NO	A	B	PACKAGE
PH-5	20.2	3.2	500



固定座 HOUSING

MATERIAL: NYLON 66(UL)
FLAME CLASS: 94V-2
COLOR: NATURAL

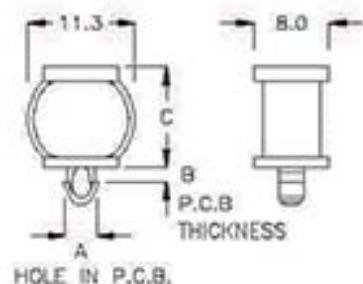
PART NO	A	B	PACKAGE
PH-6	36.0	3.4	500



防震座 ANTI-SHOCK HOUSING

MATERIAL: NYLON 66(UL)
FLAME CLASS: 94V-2
COLOR: NATURAL

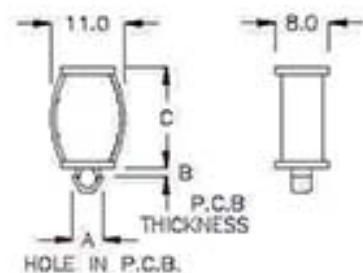
PART NO	A	B	C	PACKAGE
CQ-010	$\phi 3.0$	1.6	10.5	1000
CQ-008	$\phi 3.0$	1.6	8.0	
CQ-10NR	$\phi 2.0$	1.6	10.5	



防震座 ANTI-SHOCK HOUSING

MATERIAL: NYLON 66(UL)
FLAME CLASS: 94V-2
COLOR: NATURAL

PART NO	A	B	C	PACKAGE
CQ-015	$\phi 3.5$	1.2	15.0	1000
CQ-15A	$\phi 4.0$	1.6	15.0	
CQ-15C	$\phi 3.5$	1.4	15.0	
CQ-15D	$\phi 4.0$	1.7	15.0	
CQ-017	$\phi 3.5$	1.2	17.0	

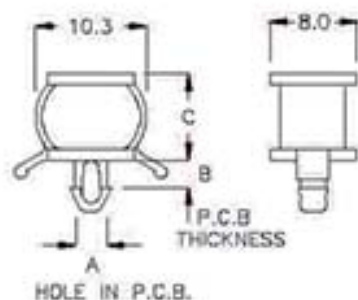


13-18-1



防震座 ANTI-SHOCK HOUSING

MATERIAL: NYLON 66(UL)
FLAME CLASS: 94V-2
COLOR: NATURAL



PART NO	A	B	C	PACKAGE
CO-08A	φ3.0	1.1~1.6	8.05	1000

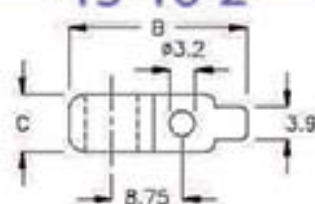
HOLE IN P.C.B.

13-18-2

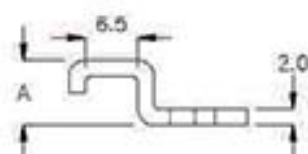


固定夾 CLIP

MATERIAL: POM(UL)
FLAME CLASS: 94HB
COLOR: BLACK



PART NO	A	B	C	PACKAGE
HP-6	8.0	22.0	7.0	1000

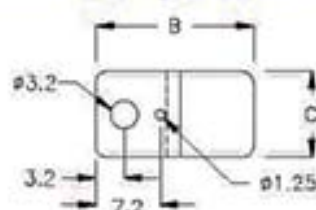


13-18-3

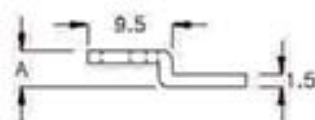


CCD座 CCD HOUSING

MATERIAL: NYLON 66(UL)
FLAME CLASS: 94V-2
COLOR: NATURAL



PART NO	A	B	C	PACKAGE
MDV-01	4.15	17.7	9.6	2000

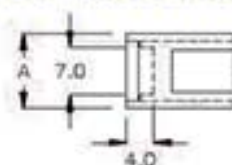


13-18-4

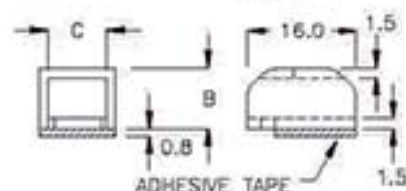


電池端子保護座 CONNECTOR PROTECT HOUSING

MATERIAL: PC(UL)
FLAME CLASS: 94V-2
COLOR: CLEAR
ADHESIVE TAPE: 3M



PART NO	A	B	C	PACKAGE
MD-16S	11.2	9.0	8.8	500
MD-017	13.5	10.8	10.5	



ADHESIVE TAPE

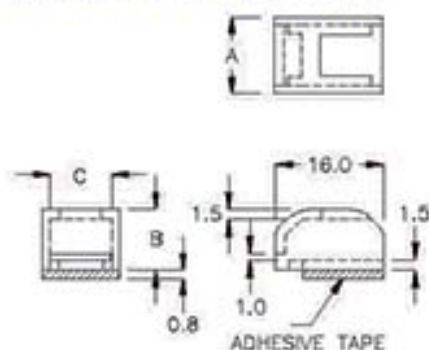
13-19-1



電池端子保護座 CONNECTOR PROTECT HOUSING

MATERIAL: PC(UL)
FLAME CLASS: 94V-2
COLOR: CLEAR
ADHESIVE TAPE: 3M

PART NO.	A	B	C	PACKAGE
MD-16A	11.4	9.0	9.1	500



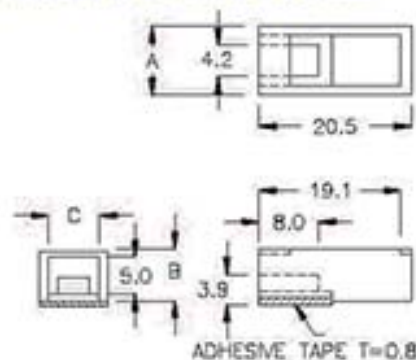
13-19-2



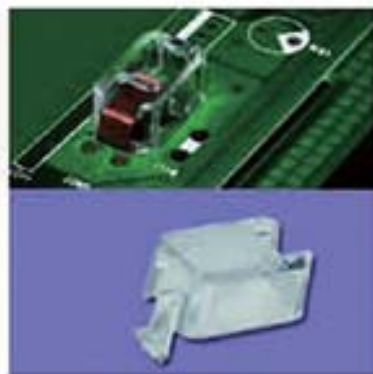
電池端子保護座 CONNECTOR PROTECT HOUSING

MATERIAL: PC(UL)
FLAME CLASS: 94V-2
COLOR: CLEAR
ADHESIVE TAPE: 3M

PART NO.	A	B	C	PACKAGE
MD-020	9.3	7.0	6.8	500



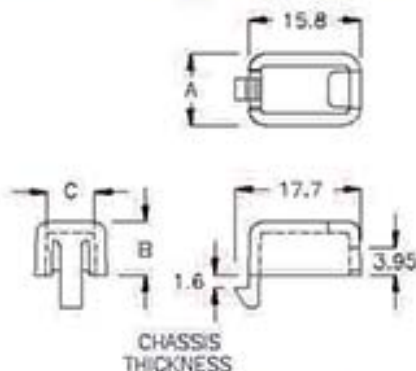
13-19-3



保護蓋 HOLE PROTECTOR

MATERIAL: PC(UL)
FLAME CLASS: 94V-2
COLOR: CLEAR

PART NO.	A	B	C	PACKAGE
MVA-01	10.2	7.4	6.65	500



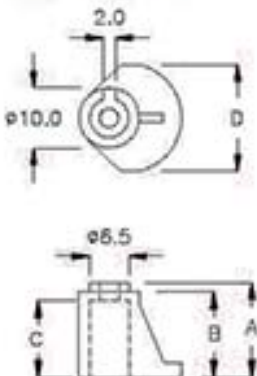
13-19-4



固定座 MOUNT

MATERIAL: ABS(UL)
FLAME CLASS: 94V-0
COLOR: NATURAL

PART NO.	A	B	C	D	PACKAGE
MDJ-01	17.0	15.5	14.0	17.5	200
MDJ-02	12.6	11.1	9.6	17.2	500



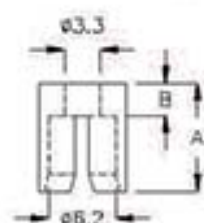
13-20-1



固定座 MOUNT

MATERIAL: NYLON 66(UL)
FLAME CLASS: 94V-2
COLOR: NATURAL

PART NO	A	B	C	PACKAGE
MDA-01	10.0	3.0	ø8.0	1000
MDA-02	10.0	1.6	ø8.0	



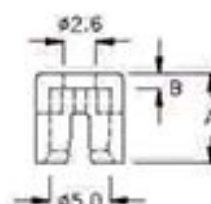
13-20-2



固定座 MOUNT

MATERIAL: NYLON 66(UL)
FLAME CLASS: 94V-2
COLOR: NATURAL

PART NO	A	B	C	PACKAGE
MDA-7BC	7.2	1.2	ø7.0	1000



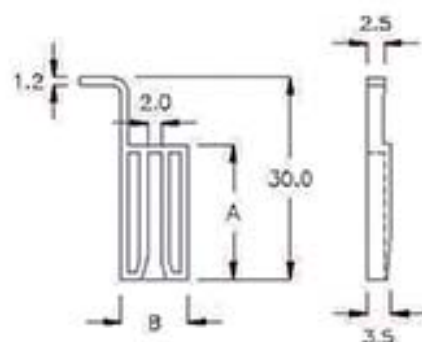
13-20-3



固定座 MOUNT

MATERIAL: NYLON 66(UL)
FLAME CLASS: 94V-2
COLOR: NATURAL

PART NO	A	B	PACKAGE
MDB-01	20.0	10.0	1000



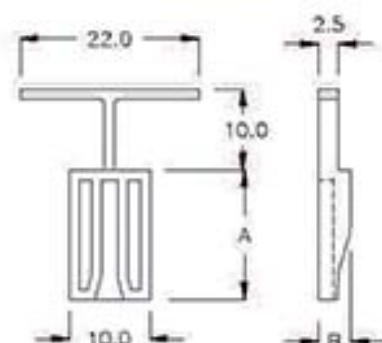
13-20-4



固定座 MOUNT

MATERIAL: NYLON 66(UL)
FLAME CLASS: 94V-2
COLOR: NATURAL

PART NO	A	B	PACKAGE
MDB-02	20.0	4.0	500
MDB-04	16.0	4.0	
MDB-05	15.0	3.2	1000



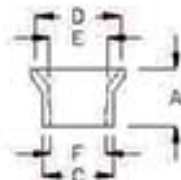
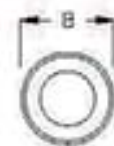
13-21-1



固定座 MOUNT

MATERIAL: NYLON 66(UL)
FLAME CLASS: 94V-2
COLOR: BLACK

PART NO	A	B	C	D	E	F	PACKAGE
UW-1	7.0	ø11.5	ø8.8	ø10.5	ø7.2	ø6.8	1000
UW-1K	6.6	ø11.0	ø7.5	ø10.0	ø5.45	ø5.05	
UW-1Y	6.6	ø8.8	ø7.55	ø7.8	ø5.45	ø5.05	2000



13-21-2



固定座 MOUNT

MATERIAL: NYLON 66(UL)
FLAME CLASS: 94V-2
COLOR: BLACK

PART NO	A	B	C	PACKAGE
UW-6F	4.0	ø8.4	ø7.4	1000



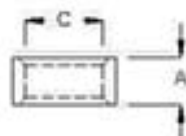
13-21-3



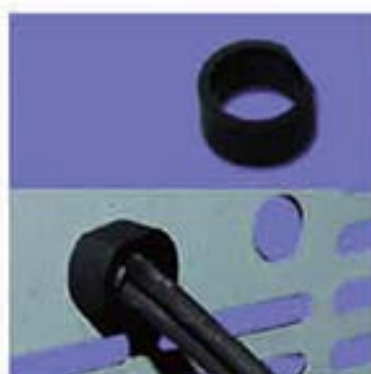
固定座 MOUNT

MATERIAL: NYLON 66(UL)
FLAME CLASS: 94V-2
COLOR: BLACK

PART NO	A	B	C	PACKAGE
UW-1S	4.2	ø9.1	ø6.85	1000
UW-01C	6.35	ø5.8	ø4.8	
UW-01M	4.3	ø8.2	ø5.7	
UW-01J	6.7	ø11.2	ø7.2	2000
UW-4TM	4.35	ø6.2	ø5.0	
UW-8MK	8.0	ø7.0	ø5.4	1000



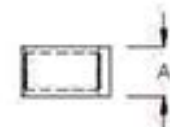
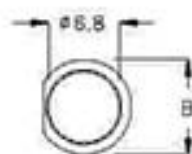
13-21-4



固定座 MOUNT

MATERIAL: NYLON 66(UL)
FLAME CLASS: 94V-2
COLOR: BLACK

PART NO	A	B	PACKAGE
UW-01A	4.8	ø9.1	1000



PINGOOD

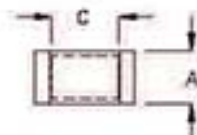
13-22-1



固定座 MOUNT

MATERIAL: NYLON 66(UL)
FLAME CLASS: 94V-2
COLOR: BLACK

PART NO	A	#B	#C	PACKAGE
UW-01D	3.0	6.1	4.5	1000
UW-02A	4.2	9.2	7.1	
UW-04A	5.0	9.2	6.4	
UW-08A	8.2	9.0	7.0	
UW-8CD	8.2	9.0	6.8	



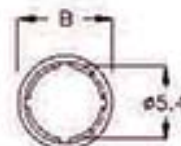
13-22-2



固定座 MOUNT

MATERIAL: NYLON 66(UL)
FLAME CLASS: 94V-2
COLOR: BLACK

PART NO	A	B	PACKAGE
UW-01G	3.0	ø7.0	1000



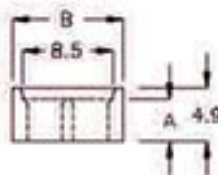
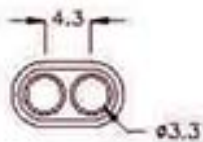
13-22-3



固定座 MOUNT

MATERIAL: NYLON 66(UL)
FLAME CLASS: 94V-2
COLOR: BLACK

PART NO	A	B	PACKAGE
MTH-05	3.9	10.3	1000



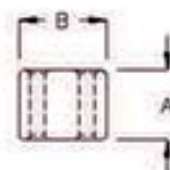
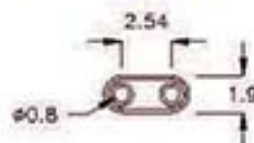
13-22-4



固定座 MOUNT

MATERIAL: NYLON 66(UL)
FLAME CLASS: 94V-2
COLOR: BLACK

PART NO	A	B	PACKAGE
MTN-3H	4.15	4.45	2000



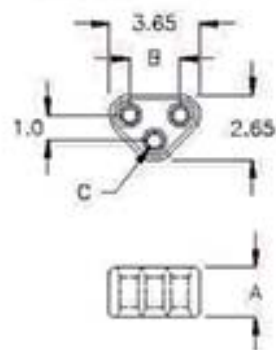
13-23-1



固定座 MOUNT

MATERIAL: NYLON 66(UL)
FLAME CLASS: 94V-2
COLOR: NATURAL

PART NO	A	B	C	PACKAGE
MTJ-02	2.0	2.0	Ø0.8	2000
MTJ-3A	1.55	2.54	Ø0.8	
MTJ-3HD	3.5	2.0	Ø0.7	



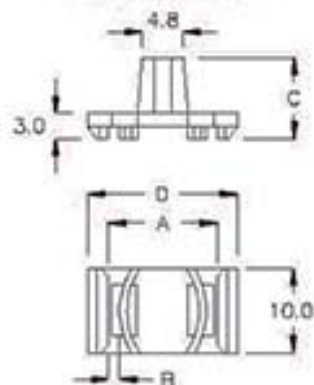
13-23-2



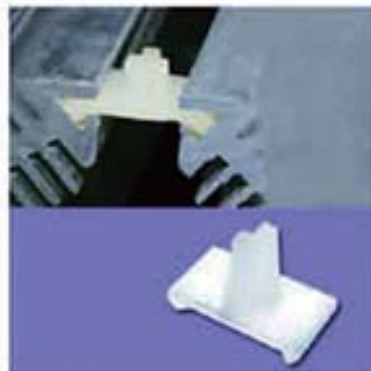
固定座 MOUNT

MATERIAL: NYLON 66(UL)
FLAME CLASS: 94V-2
COLOR: NATURAL

PART NO	A	B	C	D	PACKAGE
MDK-01	12.8	1.15	9.5	17.6	500
MDK-03	12.8	1.3	11.0	17.6	
MDK-04	13.0	1.9	10.5	17.6	
MDK-05	10.8	1.5	10.5	15.6	



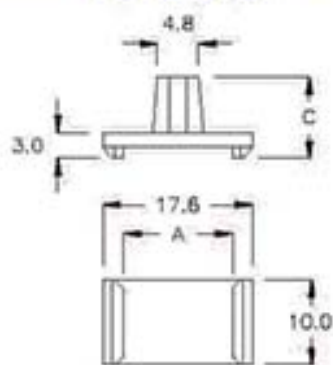
13-23-3



固定座 MOUNT

MATERIAL: NYLON 66(UL)
FLAME CLASS: 94V-2
COLOR: NATURAL

PART NO	A	C	PACKAGE
MDK-02	12.8	8.9	1000



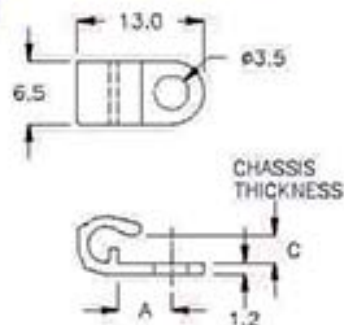
13-23-4



散熱片固定座 HEAT SINK MOUNT

MATERIAL: NYLON 66(UL)
FLAME CLASS: 94V-2
COLOR: NATURAL

PART NO	A	C CHASSIS THICKNESS	PACKAGE
DAP-1A	5.4	3.0	2000



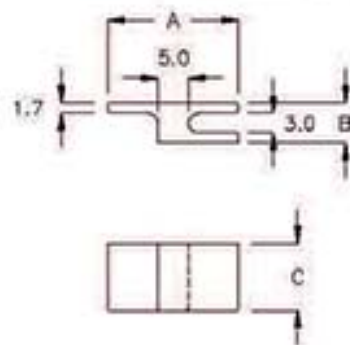
13-24-1



固定座 MOUNT

MATERIAL: NYLON 66(UL)
FLAME CLASS: 94V-2
COLOR: NATURAL

PART NO	A	B	C	PACKAGE
DAB-01	19.5	6.0	10.0	500



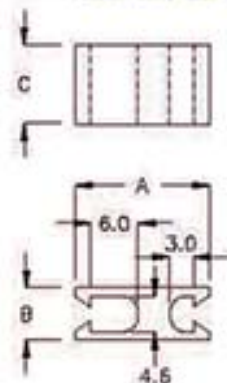
13-24-2



固定座 MOUNT

MATERIAL: NYLON 66(UL)
FLAME CLASS: 94V-2
COLOR: NATURAL

PART NO	A	B	C	PACKAGE
DAB-02	17.0	8.6	10.0	500



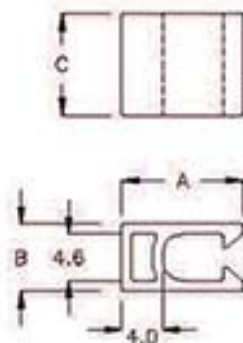
13-24-3



固定座 MOUNT

MATERIAL: NYLON 66(UL)
FLAME CLASS: 94V-2
COLOR: NATURAL

PART NO	A	B	C	PACKAGE
DAB-3A	12.0	8.6	10.0	500



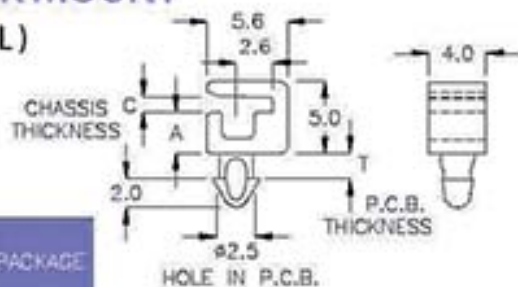
13-24-4



散熱片固定座 HEAT SINK MOUNT

MATERIAL: NYLON 66(UL)
FLAME CLASS: 94V-2
COLOR: NATURAL

PART NO	A	C CHASSIS THICKNESS	T P.C.B. THICKNESS	PACKAGE
UBA-3A	2.9	0.8	1.5	2000

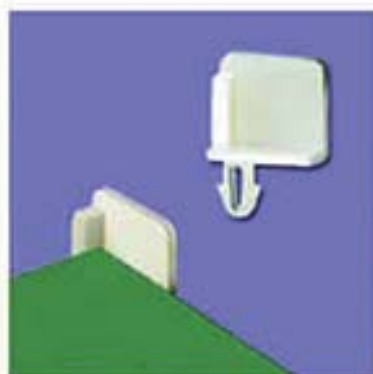
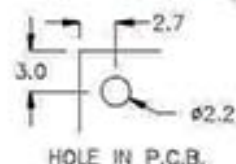
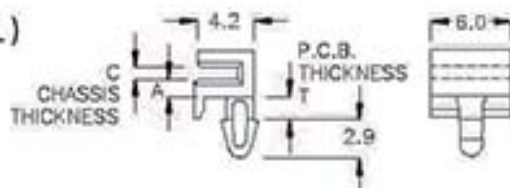




固定座 MOUNT

MATERIAL: NYLON 66(UL)
FLAME CLASS: 94V-2
COLOR: BLACK

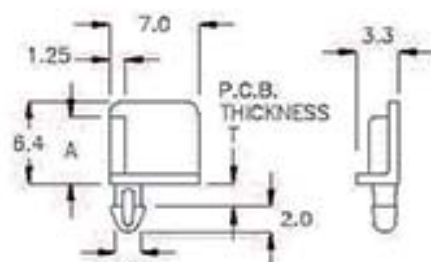
PART NO	A	C CHASSIS THICKNESS	T P.C.B. THICKNESS	PACKAGE
MTO-2A	1.3	0.8	1.6	2000



固定座 MOUNT

MATERIAL: NYLON 66(UL)
FLAME CLASS: 94V-2
COLOR: NATURAL

PART NO	A	T P.C.B. THICKNESS	PACKAGE
MRA-6C	5.2	1.6	2000



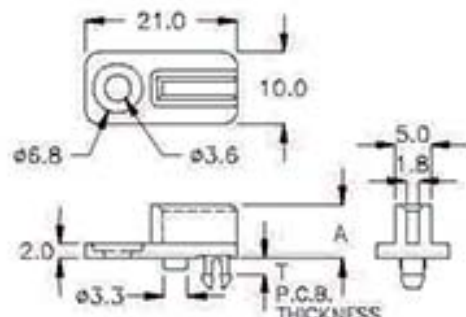
HOLE IN P.C.B.



固定座 MOUNT

MATERIAL: NYLON 66(UL)
FLAME CLASS: 94V-2
COLOR: BLACK

PART NO	A	T P.C.B. THICKNESS	PACKAGE
MFG-21HC	7.4	2.0	200

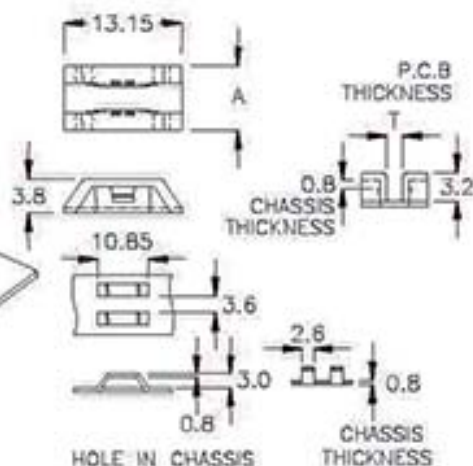
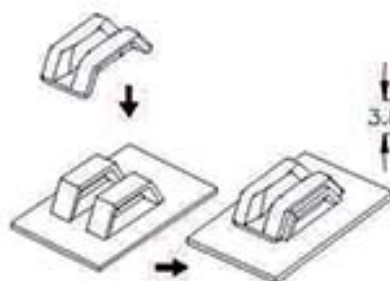


HOLE IN P.C.B.



固定座 MOUNT

MATERIAL: NYLON 66(UL)
FLAME CLASS: 94V-2
COLOR: BLACK

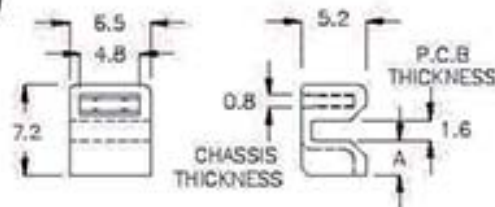


PART NO	A	T P.C.B THICKNESS	PACKAGE
MTB-13A	7.3	1.6	2000

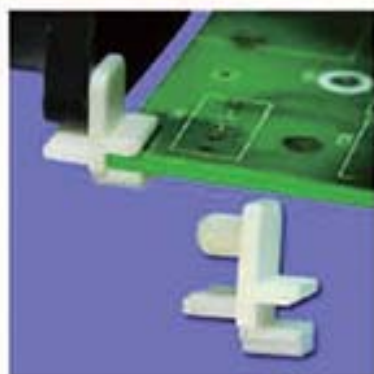


固定座 MOUNT

MATERIAL: NYLON 66(UL)
FLAME CLASS: 94V-2
COLOR: BLACK

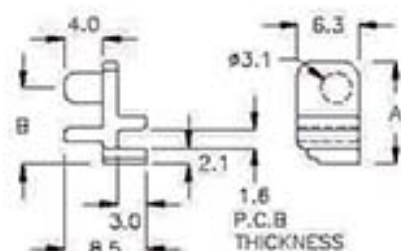


PART NO	A	PACKAGE
MDL-01	2.75	1000



固定座 MOUNT

MATERIAL: NYLON 66(UL)
FLAME CLASS: 94V-2
COLOR: NATURAL



PART NO	A	B	PACKAGE
MGM-11	11.0	8.3	500
MGM-11SK	11.0	8.8	

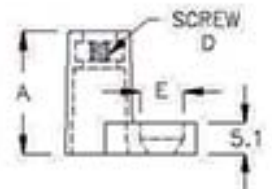
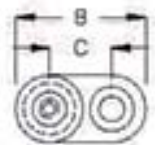


固定座 MOUNT

FLAME CLASS: 94V-0
COLOR: BLACK

MATERIAL: BRASS

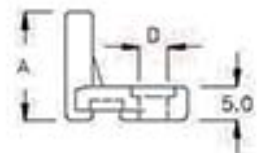
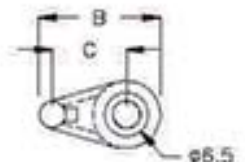
PART NO	MATERIAL	A	B	C	D	E	PACKAGE
LCM3~20	ABS	20.0	21.0	10.1	M3	φ7.1	500
LCM5~20	PBT	20.0	26.0	12.5	M5	φ10.0	



固定座 MOUNT

MATERIAL: NYLON 66+30%FRP(UL)
FLAME CLASS: 94V-0
COLOR: BLACK

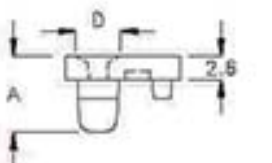
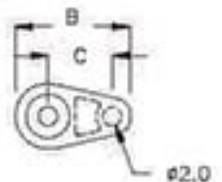
PART NO	A	B	C	D	PACKAGE
MGZ-18	16.0	18.0	11.0	φ4.2	500



固定座 MOUNT

MATERIAL: NYLON 66(UL)
FLAME CLASS: 94V-2
COLOR: NATURAL

PART NO	A	B	C	D	PACKAGE
MWZ-12A	8.15	12.1	6.8	φ4.7	500



PINGOOD

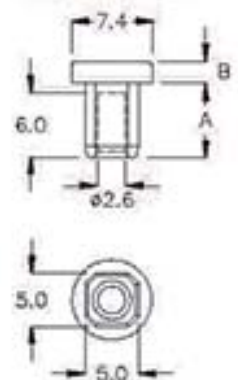
13-28-1



固定座 MOUNT

MATERIAL: NYLON 66(UL)
FLAME CLASS: 94V-2
COLOR: BLACK

PART NO	A	B	PACKAGE
MMW-7	6.9	2.0	500



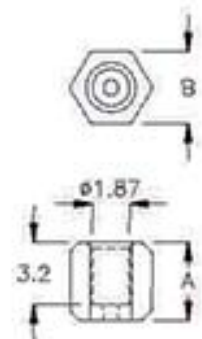
13-28-2



固定座 MOUNT

MATERIAL: NYLON 66(UL)
FLAME CLASS: 94V-2
COLOR: BLACK

PART NO	A	B	PACKAGE
MGL-04	4.0	3.8	1000



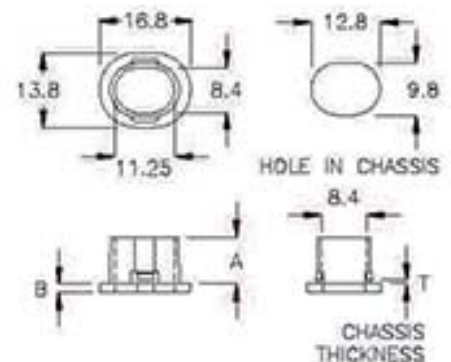
13-28-3



塞環 HOLE PLUG

MATERIAL: NYLON 66(UL)
FLAME CLASS: 94V-2
COLOR: NATURAL

PART NO	A	B	T CHASSIS THICKNESS	PACKAGE
MGF-01	8.75	1.5	0.7	500



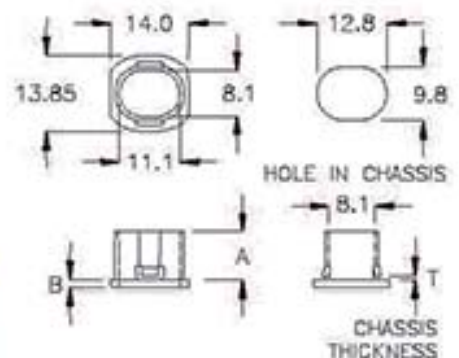
13-28-4



塞環 HOLE PLUG

MATERIAL: NYLON 66(UL)
FLAME CLASS: 94V-2
COLOR: NATURAL

PART NO	A	B	T CHASSIS THICKNESS	PACKAGE
MGF-14	7.25	1.5	0.6	500



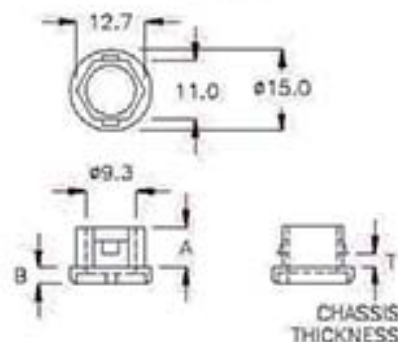
13-29-1



固定座 MOUNT

MATERIAL: ABS
FLAME CLASS: 94V-0
COLOR: NATURAL

PART NO	A	B	T CHASSIS THICKNESS	PACKAGE
PED-01	7.5	3.0	2.2	1000



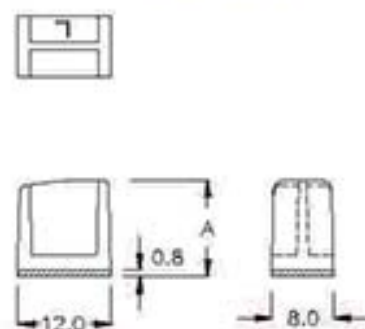
13-29-2



固定座 MOUNT

MATERIAL: NYLON 66(UL)
FLAME CLASS: 94V-2
COLOR: NATURAL
ADHESIVE TAPE: 3M

PART NO	A	PACKAGE
MML-11A	12.4	500



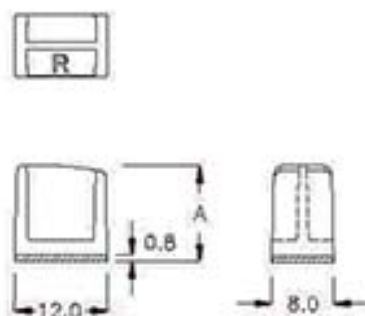
13-29-3



固定座 MOUNT

MATERIAL: NYLON 66(UL)
FLAME CLASS: 94V-2
COLOR: NATURAL
ADHESIVE TAPE: 3M

PART NO	A	PACKAGE
MMR-11A	12.4	500



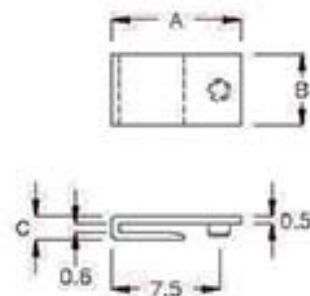
13-29-4



固定座 MOUNT

MATERIAL: NYLON 66(UL)
FLAME CLASS: 94V-2
COLOR: BLACK

PART NO	A	B	C	PACKAGE
MWC-05	9.0	5.0	1.8	1000



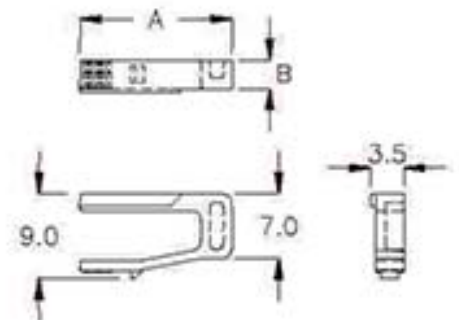


固定座 MOUNT

MATERIAL: NYLON 66(UL)
FLAME CLASS: 94V-2
COLOR: NATURAL



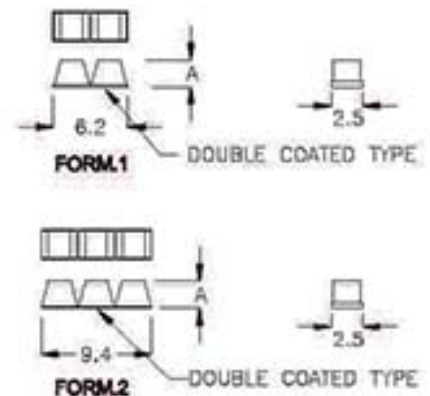
PART NO	A	B	PACKAGE
★ HPA-16K	16.6	3.1	500



支撐柱 CHIP SUPPORT

MATERIAL: NYLON 66(UL)
FLAME CLASS: 94V-2
COLOR: BLACK
ADHESIVE TAPE: DEXERIALS
or EQUIVALENT

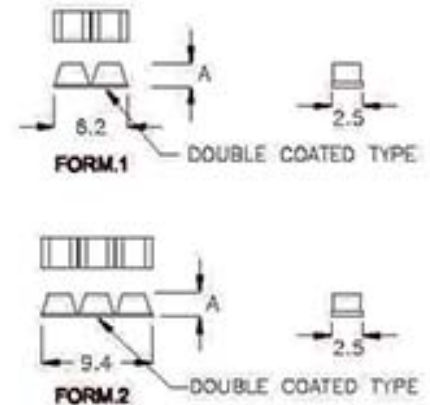
PART NO	A	FORM	PACKAGE
DPM-02T	2.5	1	5000
DPM-3AT	2.5	2	



支撐柱 CHIP SUPPORT

MATERIAL: NYLON 66(UL)
FLAME CLASS: 94V-2
COLOR: BLACK
ADHESIVE TAPE: DEXERIALS
or EQUIVALENT

PART NO	A	FORM	PACKAGE
DPS-2CK	2.2	1	5000
DPS-3FQ	2.2	2	

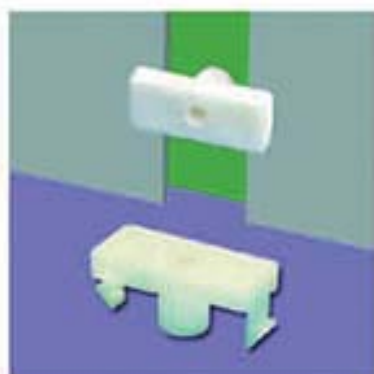
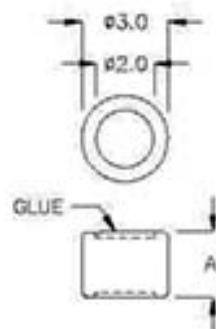




P.C.B 板支撐柱 P.C.B SUPPORT

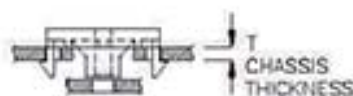
MATERIAL: NYLON 46(UL)
FLAME CLASS: 94V-0
COLOR: BLACK

PART NO	A	PACKAGE
DPX-02	2.3	2000

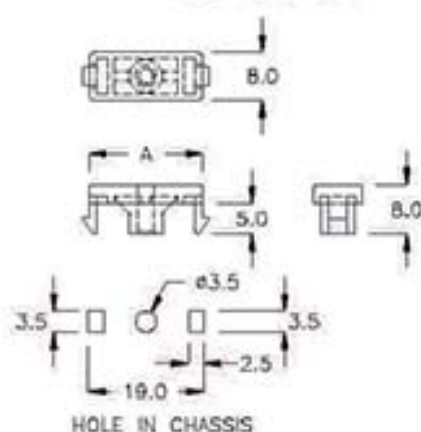


固定座 MOUNT

MATERIAL: NYLON 66(UL)
FLAME CLASS: 94V-2
COLOR: NATURAL
SCREW: M3 TAPPING SCREW



PART NO	A	T CHASSIS THICKNESS	PACKAGE
MGK-18F	18.7	2.0	500

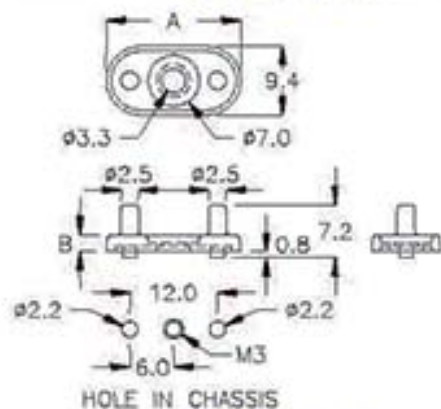


固定座 MOUNT

MATERIAL: NYLON 66(UL)
FLAME CLASS: 94V-0
COLOR: BLACK



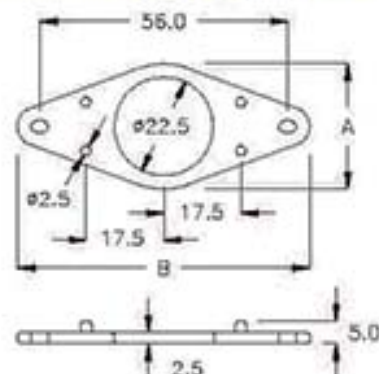
PART NO	A	B	PACKAGE
★ MGKH-18	18.4	2.3	500



喇叭座 SPEAKER HOUSING

MATERIAL: POM
COLOR: NATURAL

PART NO	A	B	PACKAGE
SP-2866	28.5	66.0	200



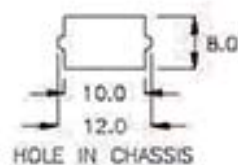
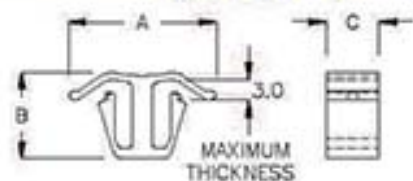
13-33-1



固定扣 CANOE CLIP

MATERIAL: PC(UL)
FLAME CLASS: 94V-2
COLOR: BLACK

PART NO	A	B	C	PACKAGE
DCQ-01	21.9	12.8	7.8	500



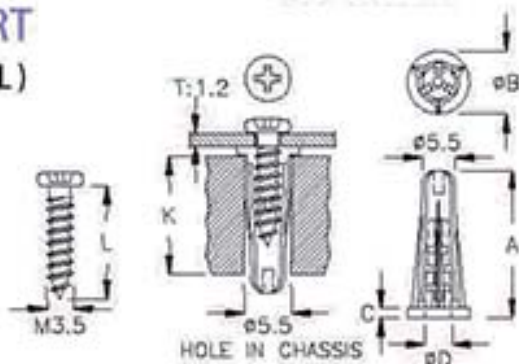
13-33-2



螺絲固定座 WALL INSERT

MATERIAL: NYLON 66(UL)
FLAME CLASS: 94V-2
COLOR: NATURAL

PART NO	A	B	C	D	K CHASSIS THICKNESS	L SCREW LENGTH	PACKAGE
MHW-01	18.7	7.9	1.2	3.4	>22.0	12.0	1000
MHW-02	22.0	8.2	1.0	4.6	>25.0	14.0	
MHW-03	22.3	8.0	1.0	3.8	>25.0	14.0	
MHW-04	33.0	8.0	1.0	3.5	>35.0	20.0	



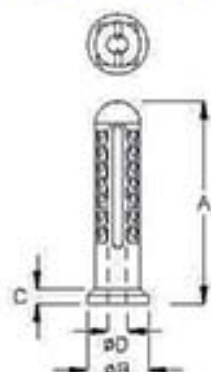
13-33-3



螺絲固定座 WALL INSERT

MATERIAL: PE
COLOR: NATURAL

PART NO	A	B	C	D	HOLE IN CHASSIS	CHASSIS THICKNESS	TAPPING SCREW	SCREW LENGTH	PACKAGE
MHM-30	30.0	9.0	2.2	2.9	ø6.7	33.0	M4	12.0	500



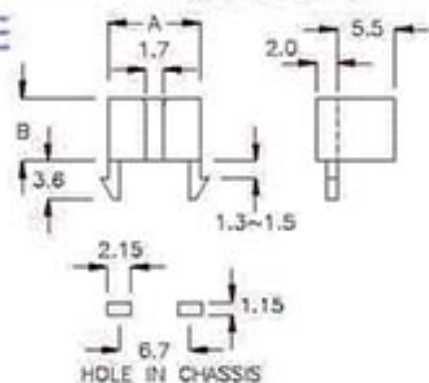
13-34-1



固定座 EDGE CONNECT BASE

MATERIAL: NYLON 66(UL)
FLAME CLASS: 94V-2
COLOR: NATURAL

PART NO	A	B	PACKAGE
MH-4	8.7	6.0	1000



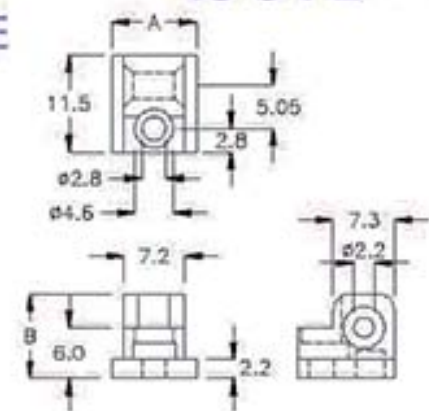
13-34-2



固定座 EDGE CONNECT BASE

MATERIAL: NYLON 66(UL)
FLAME CLASS: 94V-2
COLOR: NATURAL

PART NO	A	B	PACKAGE
MH-5	10.0	10.0	1000



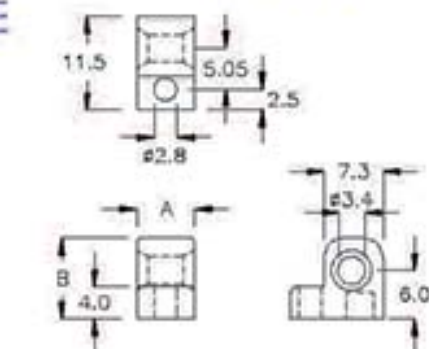
13-34-3



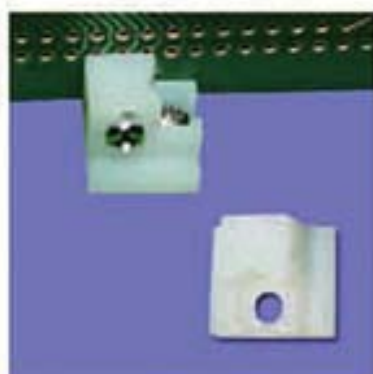
固定座 EDGE CONNECT BASE

MATERIAL: NYLON 66(UL)
FLAME CLASS: 94V-2
COLOR: NATURAL

PART NO	A	B	PACKAGE
MH-05C	7.2	10.0	1000



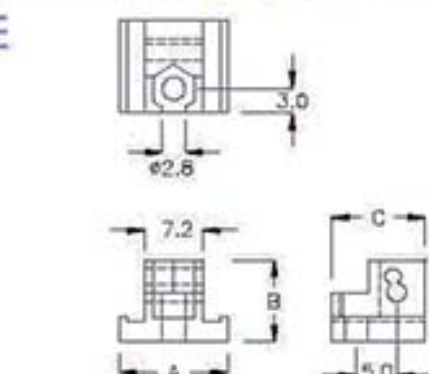
13-34-4



固定座 EDGE CONNECT BASE

MATERIAL: NYLON 66(UL)
FLAME CLASS: 94V-2
COLOR: NATURAL

PART NO	A	B	C	PACKAGE
MH-6	13.4	10.0	11.5	500



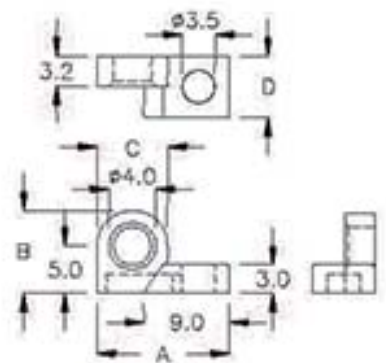
13-35-1



固定座 EDGE CONNECT BASE

MATERIAL: NYLON 66(UL)
FLAME CLASS: 94V-2
COLOR: NATURAL

PART NO	A	B	C	D	PACKAGE
MH-6A	14.0	8.8	7.5	6.5	500



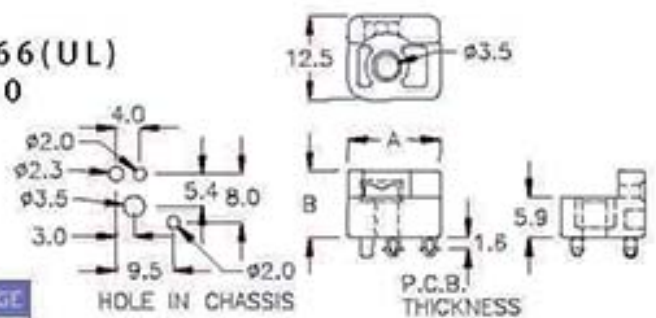
13-35-2



固定座 MOUNT

MATERIAL: NYLON 66(UL)
FLAME CLASS: 94V-0
COLOR: BLACK

PART NO	A	B	PACKAGE
MH-13AX	13.8	12.9	500



13-35-3

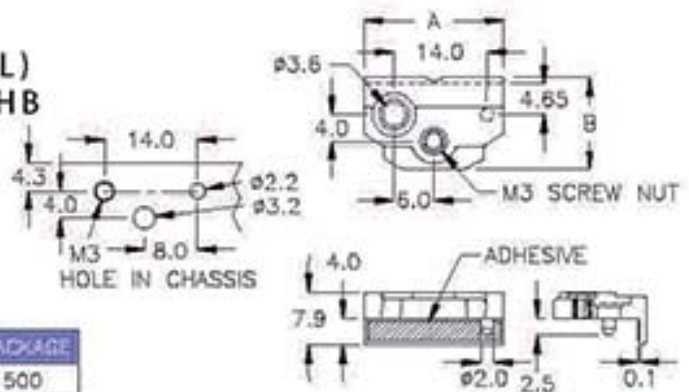


固定座 MOUNT

MATERIAL: ABS(UL)
FLAME CLASS: 94HB
COLOR: NATURAL
ADHESIVE TAPE:
EQUIALENT



PART NO	A	B	PACKAGE
★ MRN-21KG	21.0	13.9	500



13-35-4

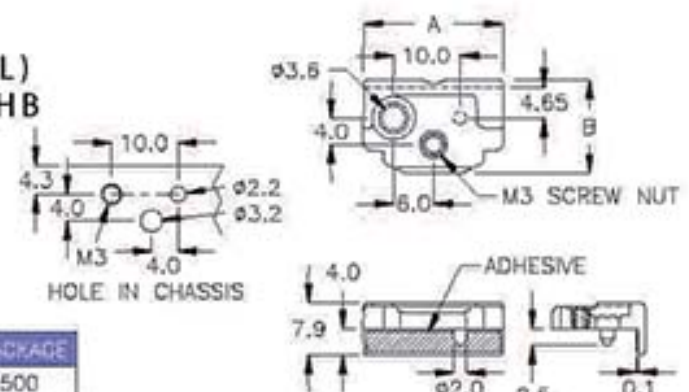


固定座 MOUNT

MATERIAL: ABS(UL)
FLAME CLASS: 94HB
COLOR: BLACK
ADHESIVE TAPE:
EQUIALENT



PART NO	A	B	PACKAGE
★ MRN-21YL	21.0	13.9	500

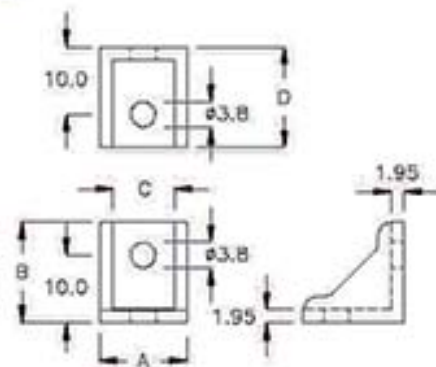




固定座 EDGE CONNECT BASE

MATERIAL: NYLON 66(UL)
FLAME CLASS: 94V-0
COLOR: BLACK

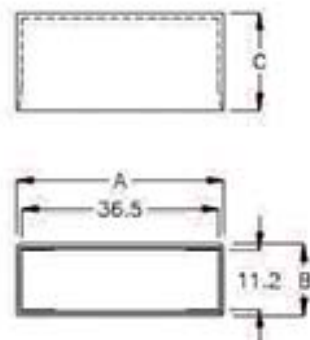
PART NO.	A	B	C	D	PACKAGE
MMX-15F	12.9	14.9	9.1	14.9	200



散熱片護套 HEAT SINK COVER

MATERIAL: NYLON 66(UL)
FLAME CLASS: 94V-2
COLOR: BLACK

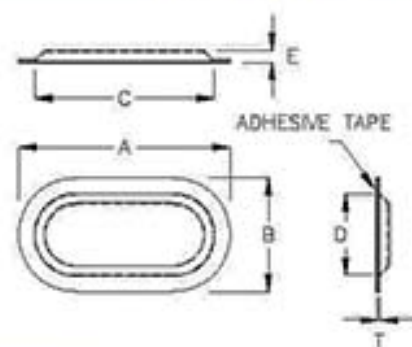
PART NO.	A	B	C	PACKAGE
HDA-01	38.5	13.3	18.0	200



保護罩 INSULATION CAP

MATERIAL: PP
COLOR: BLACK

PART NO.	A	B	C	D	E	T	PACKAGE
HD-27MQ	27.0	17.5	20.4	10.9	3.43	0.5	1200
HD-34	33.4	19.1	27.3	13.0	2.3	0.3	840
HD-35FC	35.0	21.5	28.4	14.9	5.13	0.5	840
HD-52	51.7	28.0	44.0	20.0	3.0	0.5	450



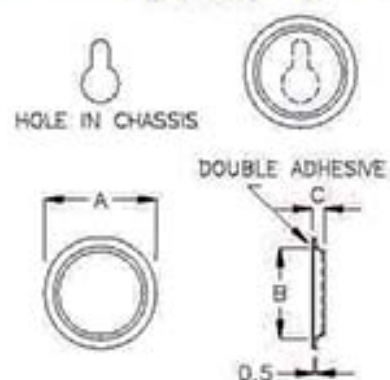
13-37-1



保護罩 INSULATION CAP

MATERIAL: PP
COLOR: BLACK

PART NO	A	B	C	PACKAGE
HD-24C	ø24.0	ø18.0	2.3	990
HD-26	ø26.0	ø17.6	2.3	
HD-31A	ø31.6	ø18.0	2.8	690



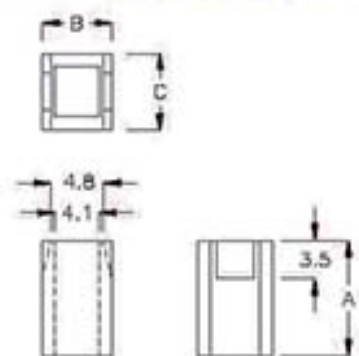
13-37-2



固定座 MOUNT

MATERIAL: NYLON 66(UL)
FLAME CLASS: 94V-2
COLOR: BLACK

PART NO	A	B	C	PACKAGE
D-0710	10.8	6.5	7.0	1000



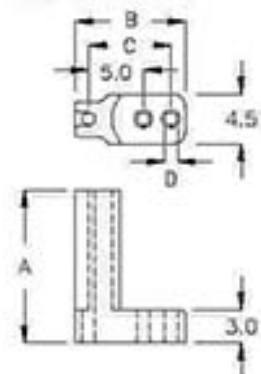
13-37-3



固定座 MOUNT

MATERIAL: PBT
FLAME CLASS: 94V-0
COLOR: NATURAL

PART NO	A	B	C	D	PACKAGE
MJC-15	15.5	10.0	7.5	ø1.2	500



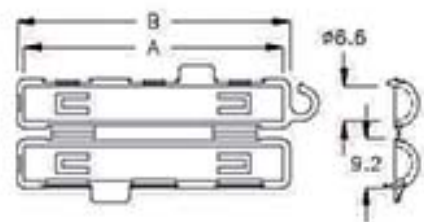
13-37-4



保險絲盒 FUSE BOX

MATERIAL: NYLON 66(UL)
FLAME CLASS: 94V-2
COLOR: NATURAL

PART NO	A	B	PACKAGE
MFH-50	48.2	51.0	500

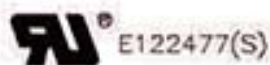


13-38-1

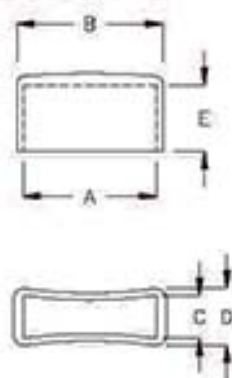


保險絲蓋 FUSE COVER

MATERIAL: PVC
COLOR: NATURAL



PART NO.	A	B	C	D	E	UL	PACKAGE
FH-1	19.8	22.6	5.6	8.4	11.0	UL	1000
FH-1L	22.0	24.0	6.0	8.0	11.0	UL	
FH-1S	18.0	20.5	5.3	7.8	10.0	UL	
FH-3	31.6	33.6	9.5	12.0	13.0	UL	500
FH-3A	31.0	33.6	8.1	10.5	11.5	UL	
FH-13	12.2	14.2	4.7	6.7	9.0	UL	1000



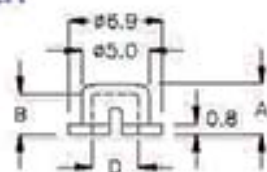
13-38-2



開關延長蓋 SWITCH EXTENDING COVER

MATERIAL: NYLON 66(UL)
FLAME CLASS: 94V-2
COLOR: BLACK

PART NO.	A	B	D	PACKAGE
HSA-01	3.8	3.0	φ3.4	1000



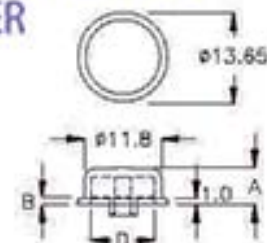
13-38-3



開關延長蓋 SWITCH EXTENDING COVER

MATERIAL: NYLON 66(UL)
FLAME CLASS: 94V-2
COLOR: BLACK

PART NO.	A	B	D	PACKAGE
HS-5A	5.6	1.2	φ9.5	1000



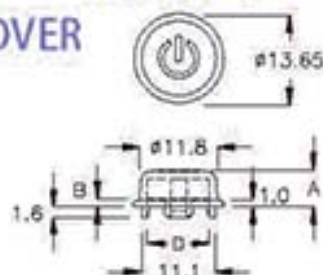
13-38-4



開關延長蓋 SWITCH EXTENDING COVER

MATERIAL: NYLON 66(UL)
FLAME CLASS: 94V-2
COLOR: BLACK

PART NO.	A	B	D	PACKAGE
HS-5K	5.6	1.2	φ9.5	1000



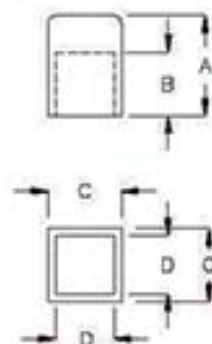
13-39-1



開關延長蓋 SWITCH EXTENDING COVER

MATERIAL: NYLON 66(UL)
FLAME CLASS: 94V-2
COLOR: NATURAL

PART NO	A	B	C	D	PACKAGE
HS-1	5.5	3.5	4.0	3.2	2000
HS-01A	4.7	3.45	5.25	3.2	
HS-1S	4.7	3.45	5.25	3.3	
HS-2	6.5	4.5	5.0	2.8	
HS-2H	4.4	3.0	5.0	2.7	



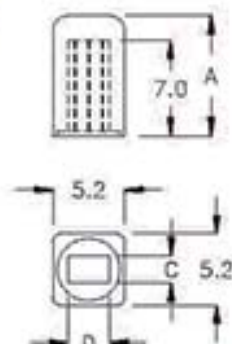
13-39-2



開關延長蓋 SWITCH EXTENDING COVER

MATERIAL: ABS
FLAME CLASS: 94HB
COLOR: BLACK

PART NO	A	C	D	PACKAGE
HS-009	8.8	2.0	3.0	2000



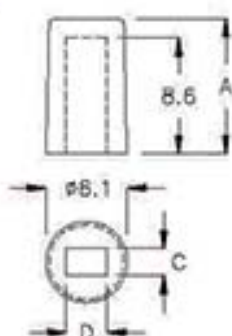
13-39-3



開關延長蓋 SWITCH EXTENDING COVER

MATERIAL: NYLON 66(UL)
FLAME CLASS: 94V-2
COLOR: BLACK, NATURAL

PART NO	A	C	D	PACKAGE
HS-1C	9.6	2.0	3.0	2000



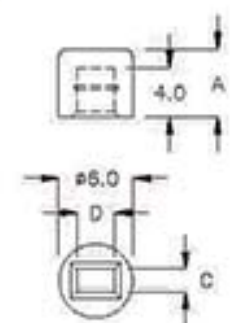
13-39-4



開關延長蓋 SWITCH EXTENDING COVER

MATERIAL: NYLON 66(UL)
FLAME CLASS: 94V-2
COLOR: BLACK, NATURAL

PART NO	A	C	D	PACKAGE
HS-06C	5.5	1.9	3.0	2000



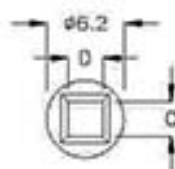
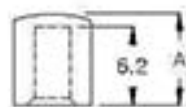
13-40-1

開關延長蓋 SWITCH EXTENDING COVER



MATERIAL: ABS
FLAME CLASS: 94HB
COLOR: NATURAL

PART NO	A	C	D	PACKAGE
HSQ-7C	7.3	2.8	2.8	2000



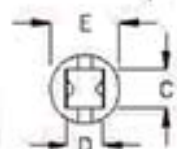
13-40-2

開關延長蓋 SWITCH EXTENDING COVER



COLOR: NATURAL, BLACK

PART NO	MATERIAL	A	B	C	D	E	PACKAGE
HS-09C	ABS,94V-0	9.0	4.0	2.8	2.6	φ5.0	2000
HS-09D	N66,94V-2	9.0	3.0	2.5	2.15	φ4.6	



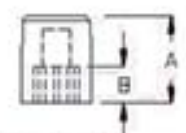
13-40-3

開關延長蓋 SWITCH EXTENDING COVER



COLOR: NATURAL, BLACK

PART NO	MATERIAL	A	B	C	D	PACKAGE
HS-10C	ABS,94-HB	9.9	4.2	φ3.2	φ8.0	1000
HS-12A	ABS,94-HB	12.0	4.2	φ3.3	φ8.0	
HS-14A	ABS,94-HB	14.0	4.2	φ3.4	φ8.0	
HS-16FA	N66,94V-2	16.5	7.0	φ3.45	φ6.3	
HS-18	N66,94V-2	18.0	7.0	φ3.45	φ6.3	



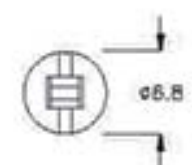
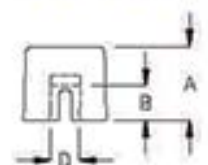
13-40-4

開關延長蓋 SWITCH EXTENDING COVER



MATERIAL: NYLON 66(UL)
FLAME CLASS: 94V-2
COLOR: NATURAL, BLACK

PART NO	A	B	D	PACKAGE
HS-6F	6.0	2.8	2.3	2000
HS-6M	6.5	2.8	2.4	
HS-7K	7.5	2.8	2.4	
HS-8HY	8.0	2.8	2.4	
HS-8MA	8.5	2.8	2.4	



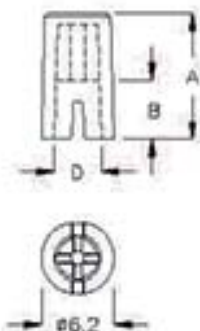
13-41-1

開關延長蓋 SWITCH EXTENDING COVER



MATERIAL: ABS
FLAME CLASS: 94HB
COLOR: BLACK

PART NO	A	B	D	PACKAGE
HS-15	9.9	4.55	ø3.7	1000



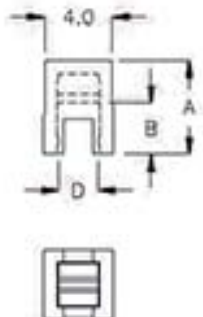
13-41-2

開關延長蓋 SWITCH EXTENDING COVER



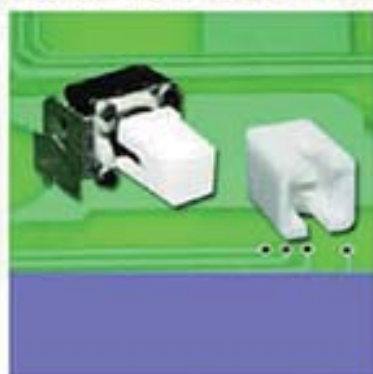
MATERIAL: ABS
FLAME CLASS: 94HB
COLOR: WHITE, NATURAL

PART NO	A	B	D	PACKAGE
HS-16	5.5	3.0	2.28	2000



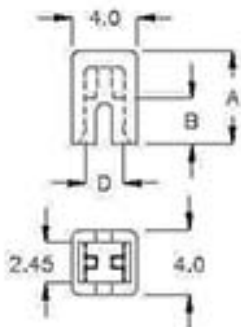
13-41-3

開關延長蓋 SWITCH EXTENDING COVER



MATERIAL: ABS
FLAME CLASS: 94HB
COLOR: NATURAL

PART NO	A	B	D	PACKAGE
HSM-5K	5.7	2.8	2.3	2000



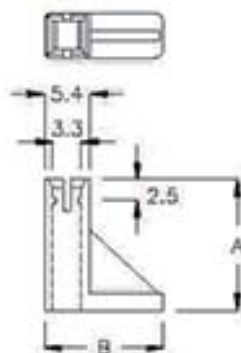
13-41-4

開關延長蓋 SWITCH EXTENDING COVER



MATERIAL: NYLON 66(UL)
FLAME CLASS: 94V-2
COLOR: NATURAL

PART NO	A	B	PACKAGE
HS-05S	11.8	14.2	1000
HS-5	15.8	14.2	

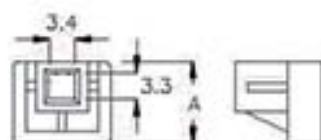
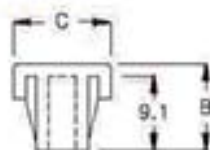


— 13-42-1 —



開關延長蓋 SWITCH EXTENDING COVER

MATERIAL: ABS
FLAME CLASS: 94V-0
COLOR: GRAY



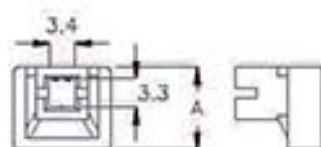
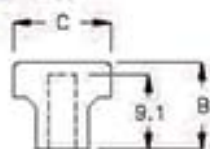
PART NO	A	B	C	PACKAGE
HS-6	10.2	10.8	12.0	500

— 13-42-2 —



開關延長蓋 SWITCH EXTENDING COVER

MATERIAL: ABS
FLAME CLASS: 94V-0
COLOR: GRAY



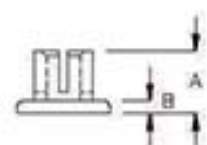
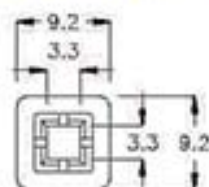
PART NO	A	B	C	PACKAGE
HS-06A	10.3	10.8	12.2	500

— 13-42-3 —



開關延長蓋 SWITCH EXTENDING COVER

MATERIAL: NYLON 66(UL)
FLAME CLASS: 94V-2
COLOR: NATURAL



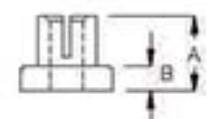
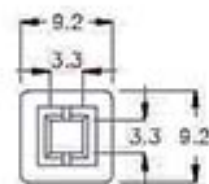
PART NO	A	B	PACKAGE
HS-007	6.3	1.2	1000

— 13-42-4 —



開關延長蓋 SWITCH EXTENDING COVER

MATERIAL: NYLON 66(UL)
FLAME CLASS: 94V-2
COLOR: BLACK



PART NO	A	B	PACKAGE
HS-07A	9.5	2.5	1000

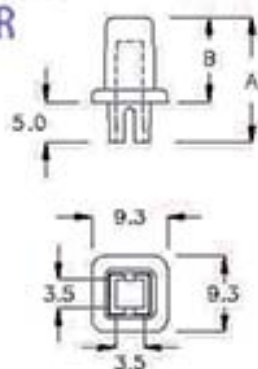
13-43-1



開關延長蓋 SWITCH EXTENDING COVER

MATERIAL: NYLON 66(UL)
FLAME CLASS: 94V-2
COLOR: BLACK

PART NO.	A	B	PACKAGE
HS-04	15.5	10.5	1000



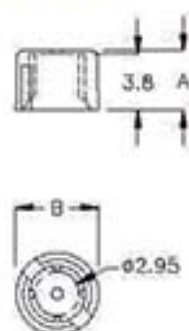
13-43-2



開關延長蓋 SWITCH EXTENDING COVER

MATERIAL: NYLON 66(UL)
FLAME CLASS: 94V-2
COLOR: NATURAL, BLACK

PART NO.	A	B	PACKAGE
HS-008	4.0	ø5.5	2000
HS-012	6.3	ø5.5	



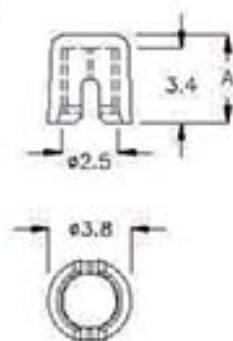
13-43-3



開關延長蓋 SWITCH EXTENDING COVER

MATERIAL: NYLON 66(UL)
FLAME CLASS: 94V-2
COLOR: BLACK

PART NO.	A	PACKAGE
HS-4CF	4.0	2000



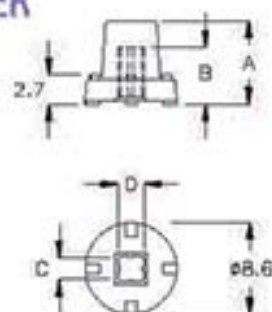
13-43-4



開關延長蓋 SWITCH EXTENDING COVER

MATERIAL: ABS+PC(UL)
FLAME CLASS: 94V-0
COLOR: BLACK

PART NO.	A	B	C	D	PACKAGE
HSD-01	7.8	5.3	2.0	2.0	2000

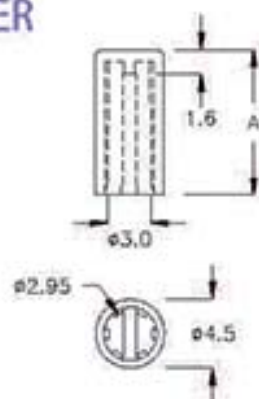




開關延長蓋 SWITCH EXTENDING COVER

MATERIAL: NYLON 66(UL)
FLAME CLASS: 94V-2
COLOR: NATURAL, BLACK

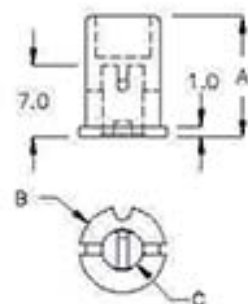
PART NO	A	PACKAGE
DAH-9H	9.5	1000



開關延長蓋 SWITCH EXTENDING COVER

MATERIAL: NYLON 66(UL)
FLAME CLASS: 94V-2
COLOR: BLACK

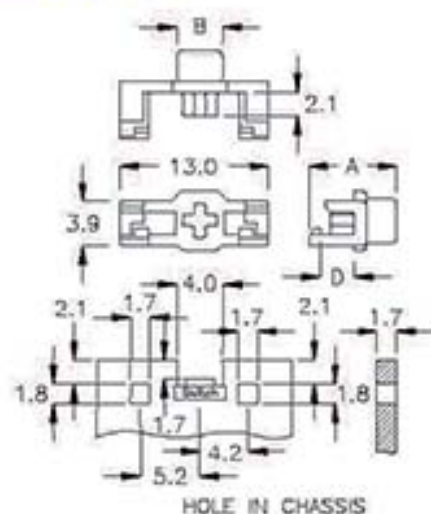
PART NO	A	B	C	PACKAGE
HSL-11A	11.8	ø8.5	ø4.1	1000
HSL-11SP	11.8	ø7.5	ø3.3	



開關延長蓋 SWITCH EXTENDING COVER

MATERIAL: NYLON 66(UL)
FLAME CLASS: 94V-0
COLOR: BLACK

PART NO	A	B	D	PACKAGE
HSW-13FH	7.7	ø4.0	3.0	1000

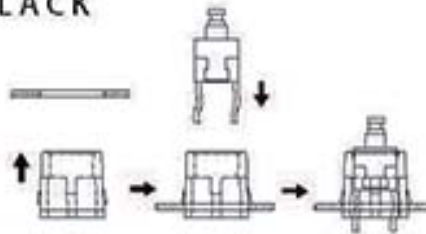


13-45-1

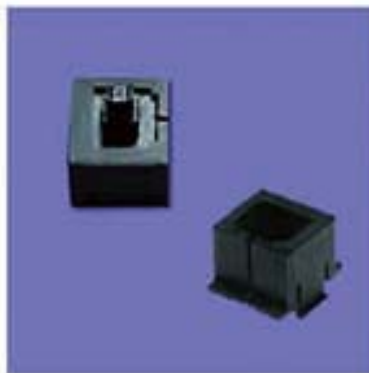
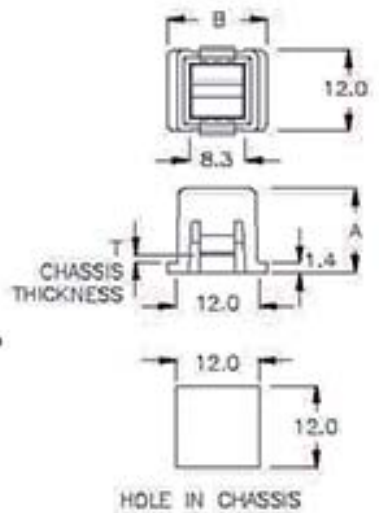


開關座 PUSH SWITCH HOLDER

MATERIAL: ABS
FLAME CLASS: 94HB
COLOR: BLACK

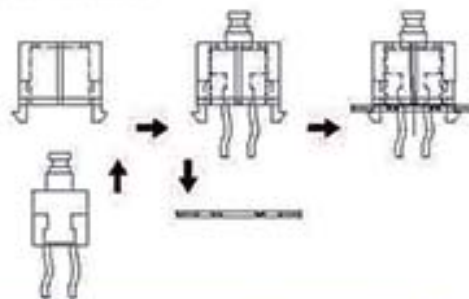


PART NO	A	B	T CHASSIS THICKNESS	PACKAGE
HS-08A	12.4	14.8	0.8	1000

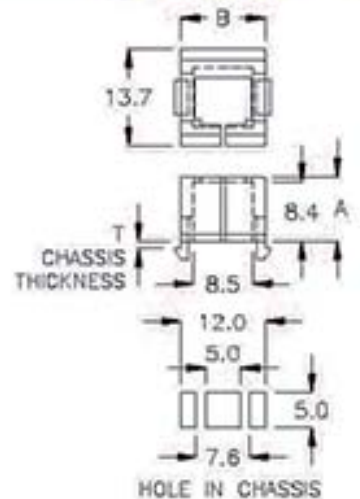


開關座 PUSH SWITCH HOLDER

MATERIAL: NYLON 66(UL)
FLAME CLASS: 94V-2
COLOR: BLACK

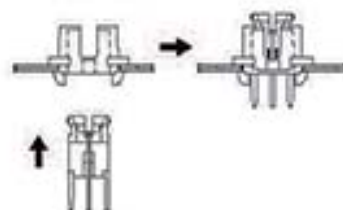


PART NO	A	B	T CHASSIS THICKNESS	PACKAGE
HS-11	9.2	11.95	0.8	500

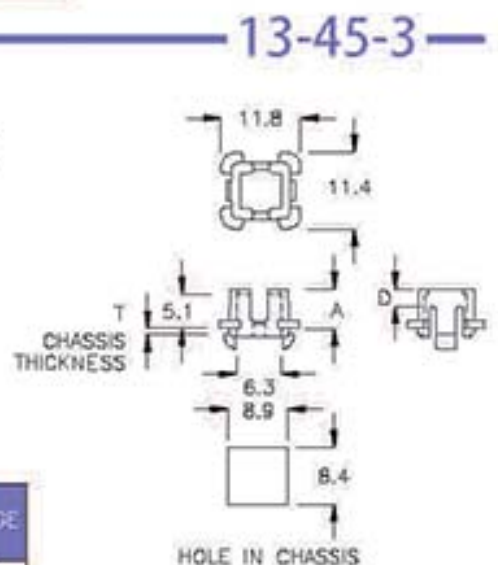


開關座 SWITCH HOLDER

MATERIAL: NYLON 66(UL)
FLAME CLASS: 94V-2
COLOR: BLACK



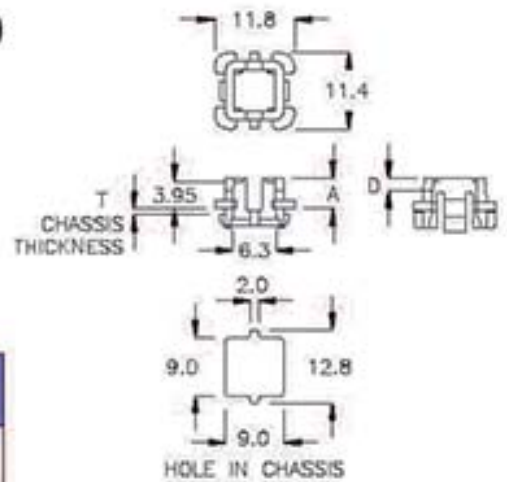
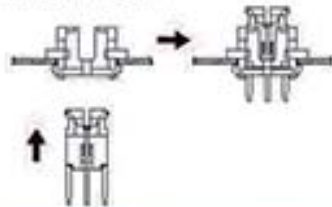
PART NO	A	D	T CHASSIS THICKNESS	PACKAGE
HSF-01	5.8	2.5	0.8	1000



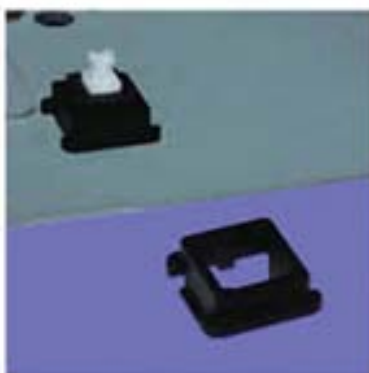


開關座 SWITCH HOLDER

MATERIAL: NYLON 66(UL)
FLAME CLASS: 94V-2
COLOR: BLACK

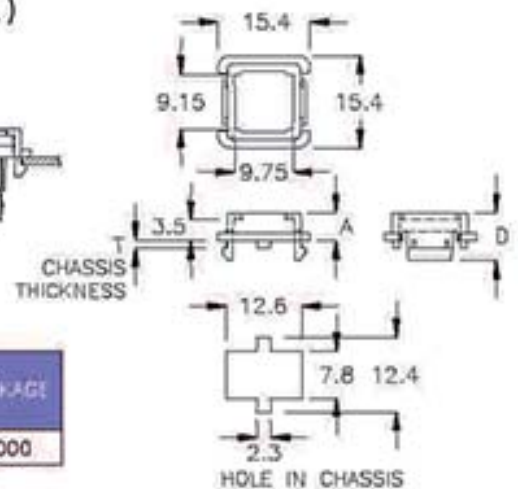
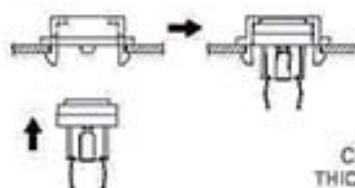


PART NO	A	D	T CHASSIS THICKNESS	PACKAGE
HSF-02	4.5	1.8	0.8	1000
HSF-2KD	4.5	1.8	0.6	



開關座 SWITCH HOLDER

MATERIAL: NYLON 66(UL)
FLAME CLASS: 94V-0
COLOR: BLACK



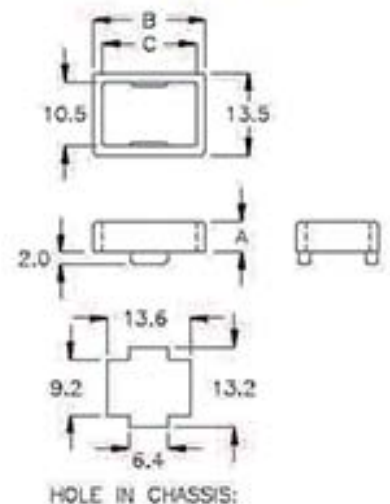
PART NO	A	D	T CHASSIS THICKNESS	PACKAGE
HSF-4WR	4.7	8.05	1.2	1000



電源開關座 SWITCH COVER

MATERIAL: NYLON 66(UL)
FLAME CLASS: 94V-2
COLOR: BLACK

PART NO	A	B	C	PACKAGE
HCA-15D	5.0	18.5	15.5	500



PINGOOD

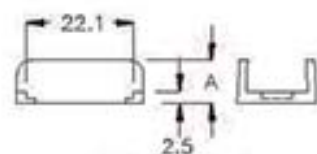
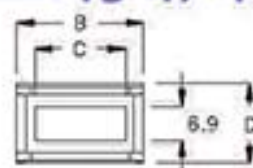
13-47-1



電源開關座 SWITCH COVER

MATERIAL: ABS
FLAME CLASS: 94V-0
COLOR: BLACK

PART NO	A	B	C	D	PACKAGE
HCA-18	9.0	26.1	18.8	16.4	500



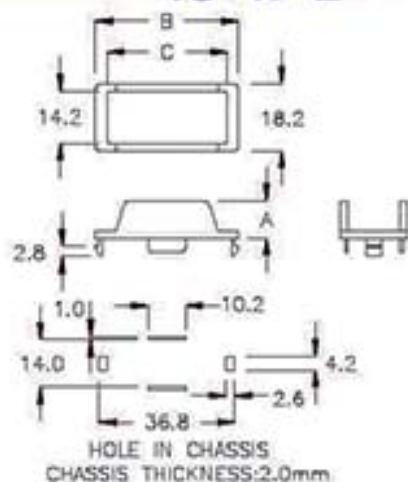
13-47-2



電源開關座 SWITCH COVER

MATERIAL: NYLON 66(UL)
FLAME CLASS: 94V-2
COLOR: BLACK

PART NO	A	B	C	PACKAGE
HCA-32	10.0	38.6	32.4	500



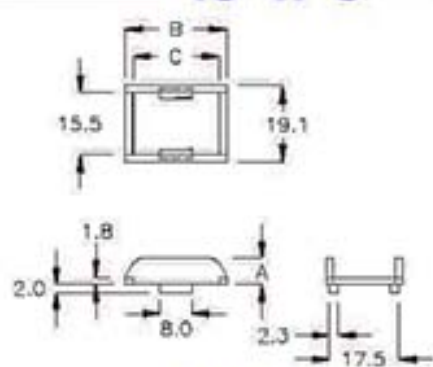
13-47-3



電源開關座 SWITCH COVER

MATERIAL: NYLON 66(UL)
FLAME CLASS: 94V-2
COLOR: BLACK

PART NO	A	B	C	PACKAGE
HCA-21K	6.5	25.5	21.5	500



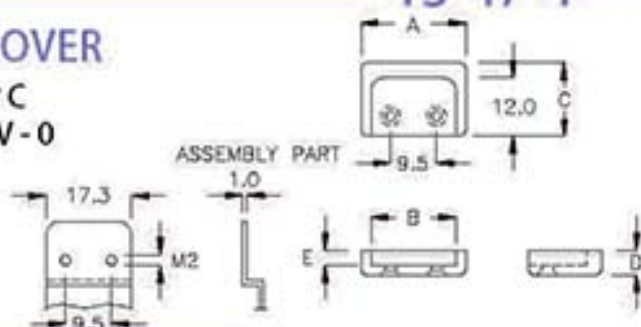
13-47-4



把手蓋 EJECTOR COVER

MATERIAL: ABS+PC
FLAME CLASS: 94V-0
COLOR: GREEN
SCREW: M2x6mm

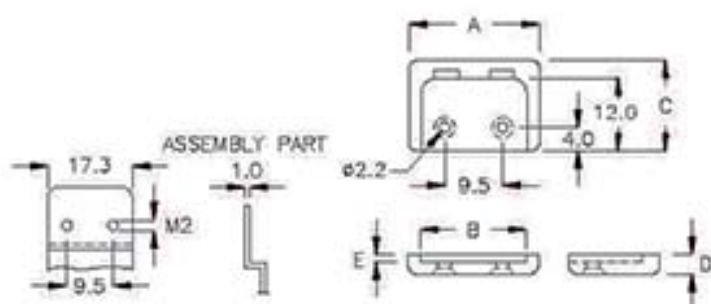
PART NO	A	B	C	D	E	PACKAGE
MHL-21	21.5	17.5	15.0	4.6	2.6	500



把手蓋 EJECTOR COVER



MATERIAL: ABS+PC
COLOR: GREEN
SCREW: M2x6mm

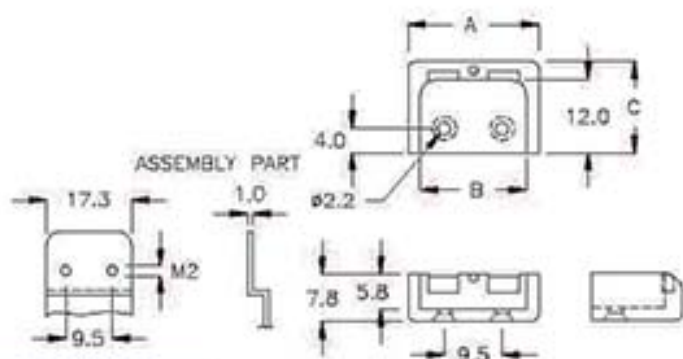


PART NO	A	B	C	D	E	PACKAGE
MHL-03	21.5	17.5	15.0	7.8	5.8	500
MHL-14	21.5	17.5	15.0	3.2	1.2	

把手蓋 EJECTOR COVER



MATERIAL: ABS+PC
COLOR: GREEN
SCREW: M2x6mm

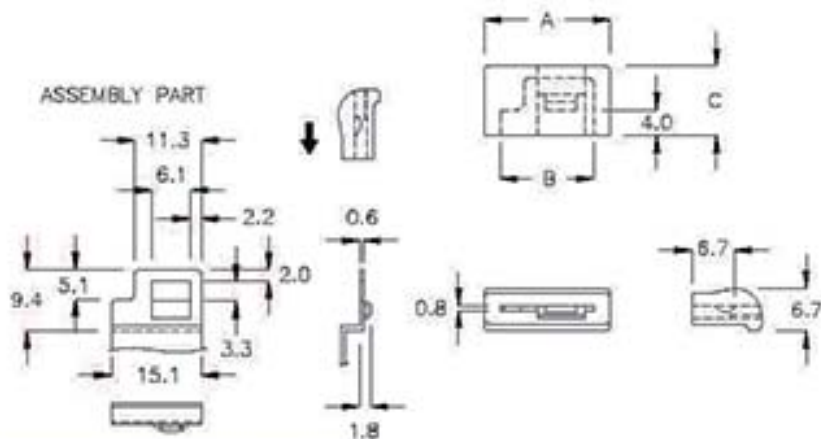


PART NO	A	B	C	PACKAGE
MHL-20	21.5	17.5	15.0	500

把手蓋 EJECTOR COVER



MATERIAL: TPR
FLAME CLASS: 94V-0
COLOR: BLACK

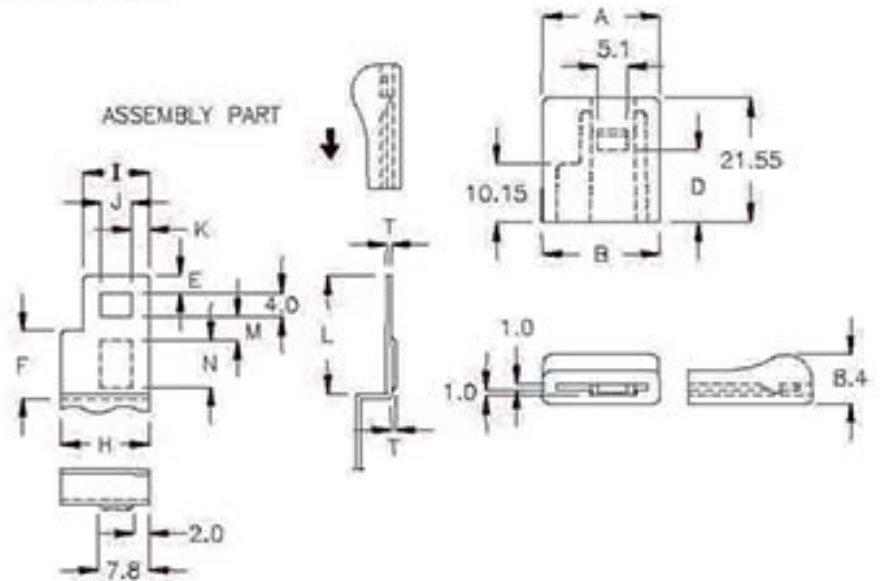


PART NO	A	B	C	PACKAGE
MHL-06	20.0	14.8	11.0	500

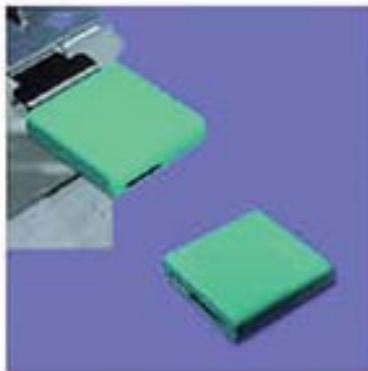


把手蓋 EJECTOR COVER

COLOR: BLACK

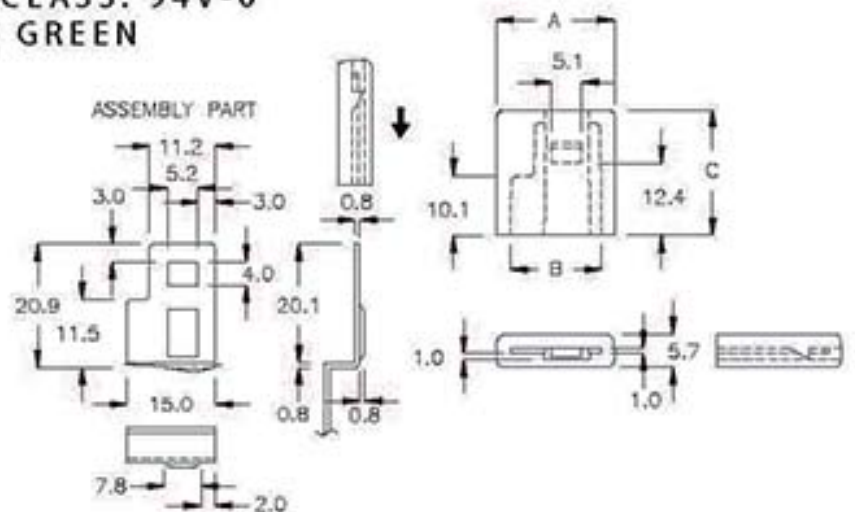


PART NO.	MATERIAL	A	B	D	E	F	H	I	J	x	L	M	N	T	PACKAGE
MHL-05	TPR VO	20.4	15.7	12.4	3.0	10.7	15.0	11.2	5.2	3.0	20.1	4.0	8.0	0.8	500
MHL-5CN	TPR VO	20.4	15.8	12.1	3.2	11.8	15.4	11.4	6.6	2.4	21.0	3.0	7.5	1.0	
MHL-5DM	TPR VO	20.4	15.4	12.4	3.0	10.7	15.0	11.2	5.2	3.0	20.1	4.0	8.0	0.8	
★ MHL-5FG	TPE	20.5	15.8	12.4	3.2	11.8	15.4	11.4	6.6	2.4	21.0	2.9	7.6	1.0	

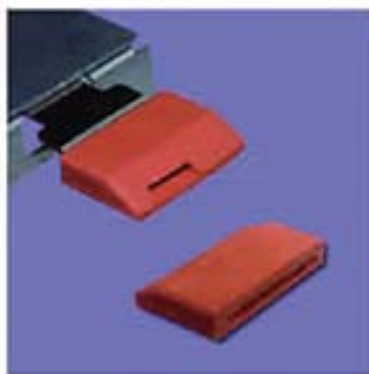


把手蓋 EJECTOR COVER

MATERIAL: TPR
FLAME CLASS: 94V-0
COLOR: GREEN



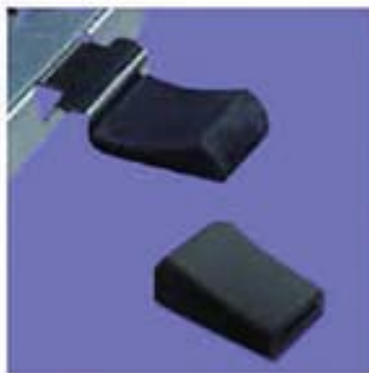
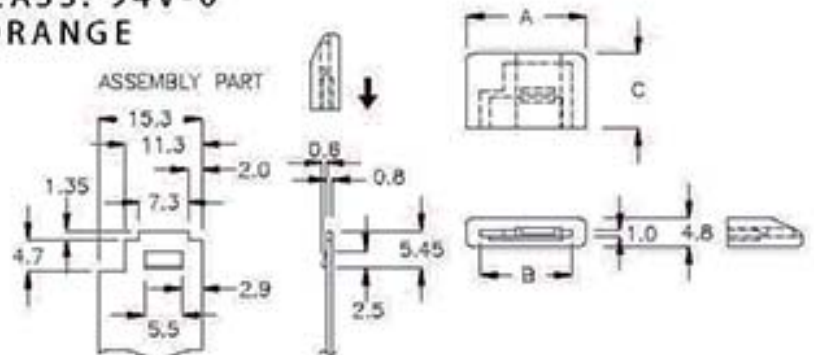
PART NO.	A	B	C	PACKAGE
MHL-08	20.3	15.7	21.6	500



把手蓋 EJECTOR COVER

MATERIAL: TPR
FLAME CLASS: 94V-0
COLOR: ORANGE

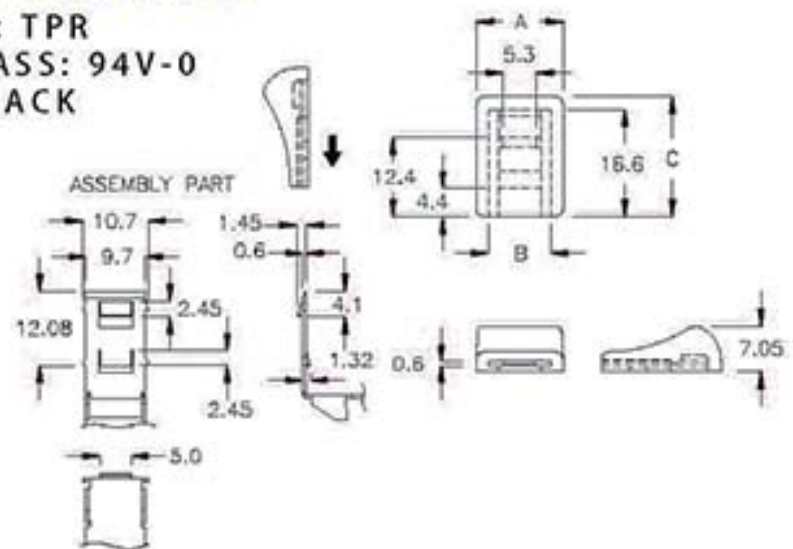
PART NO	A	B	C	PACKAGE
MHL-15	20.0	15.5	12.5	500



把手蓋 EJECTOR COVER

MATERIAL: TPR
FLAME CLASS: 94V-0
COLOR: BLACK

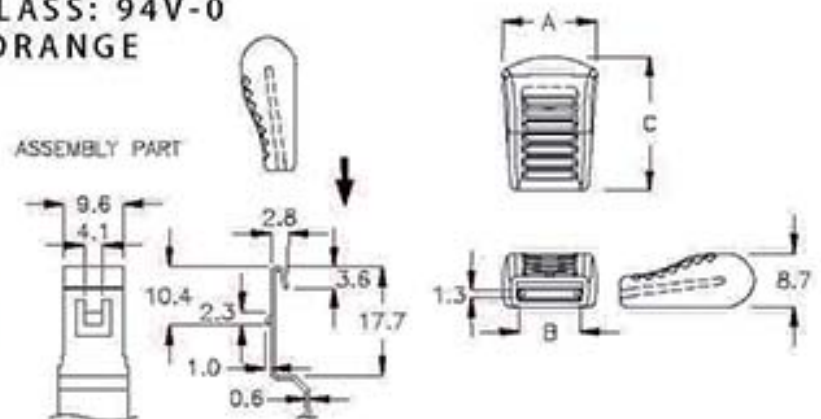
PART NO	A	B	C	PACKAGE
MHL-04	13.5	9.7	18.6	500



把手蓋 EJECTOR COVER

MATERIAL: TPR
FLAME CLASS: 94V-0
COLOR: ORANGE

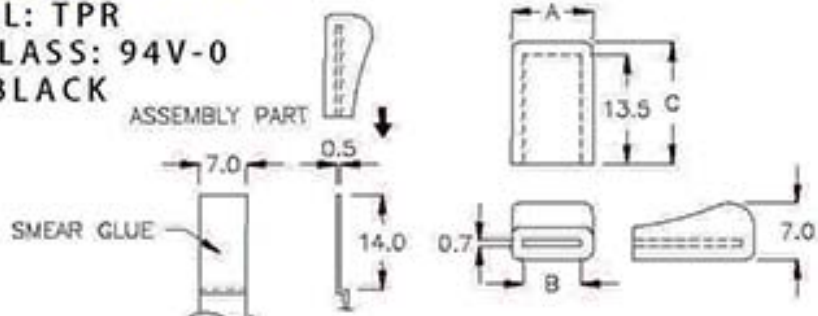
PART NO	A	B	C	PACKAGE
MHL-10	15.0	9.9	21.7	500





把手蓋 EJECTOR COVER

MATERIAL: TPR
FLAME CLASS: 94V-0
COLOR: BLACK

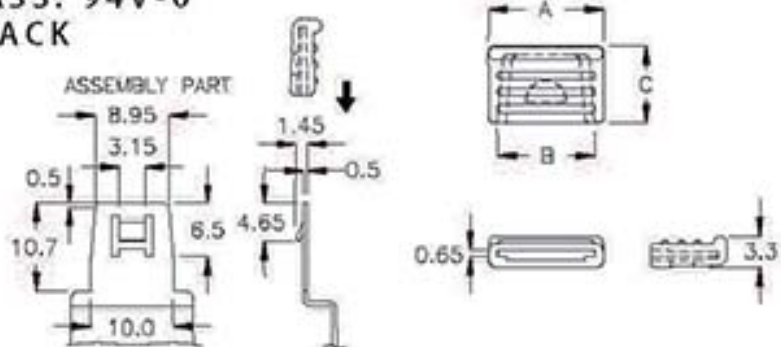


PART NO	A	B	C	PACKAGE
MHL-11	10.0	7.1	15.0	2000



把手蓋 EJECTOR COVER

MATERIAL: ABS+PC
FLAME CLASS: 94V-0
COLOR: BLACK

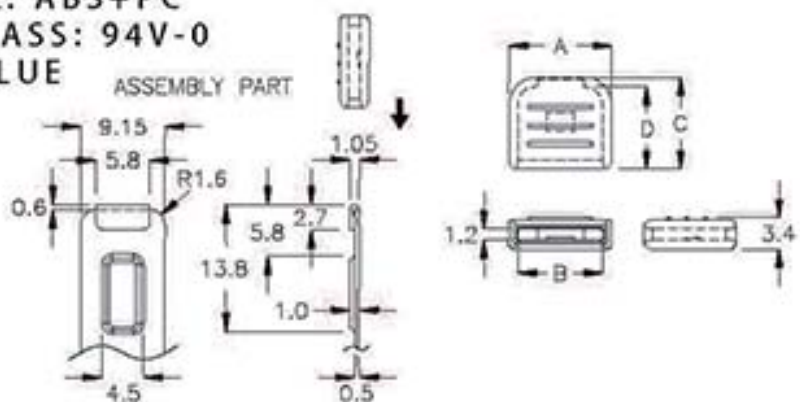


PART NO	A	B	C	PACKAGE
MHL-80M	12.0	9.95	8.0	500



把手蓋 EJECTOR COVER

MATERIAL: ABS+PC
FLAME CLASS: 94V-0
COLOR: BLUE

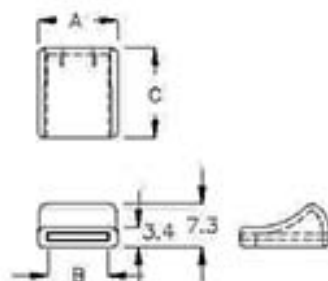
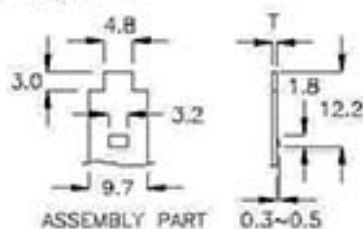


PART NO	A	B	C	D	PACKAGE
MHL-11FT	11.2	9.2	10.0	9.0	1000



把手蓋 EJECTOR COVER

MATERIAL: ABS+PC
FLAME CLASS: 94V-0
COLOR: BLACK, RED

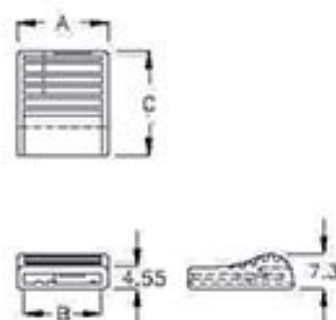
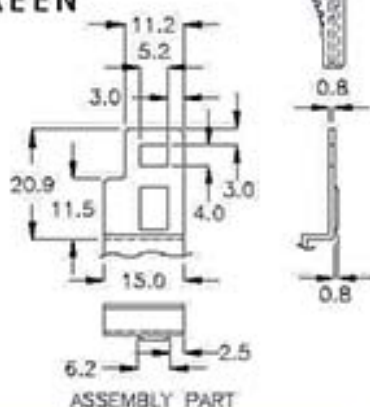


PART NO	A	B	C	T	PACKAGE
MHL-15KD	13.5	10.0	15.2	1.0	1000
MHL-19	13.5	10.0	15.2	0.8	



把手蓋 EJECTOR COVER

MATERIAL: ABS+PC
FLAME CLASS: 94V-0
COLOR: GREEN

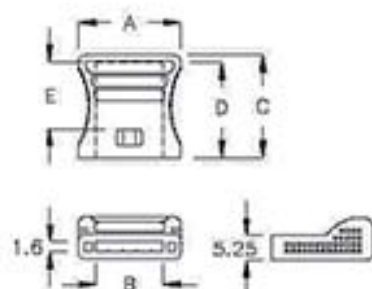
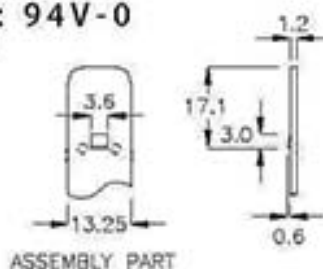


PART NO	A	B	C	PACKAGE
MHL-23	18.7	16.2	21.5	500



把手蓋 EJECTOR COVER

MATERIAL: ABS+PC
FLAME CLASS: 94V-0
COLOR: GRAY

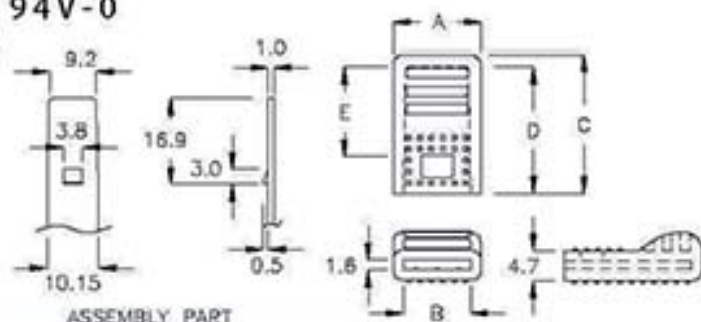


PART NO	A	B	C	D	E	PACKAGE
MHL-21FS	21.6	14.2	21.6	19.8	13.7	500



把手蓋 EJECTOR COVER

MATERIAL: ABS+PC
FLAME CLASS: 94V-0
COLOR: BLACK



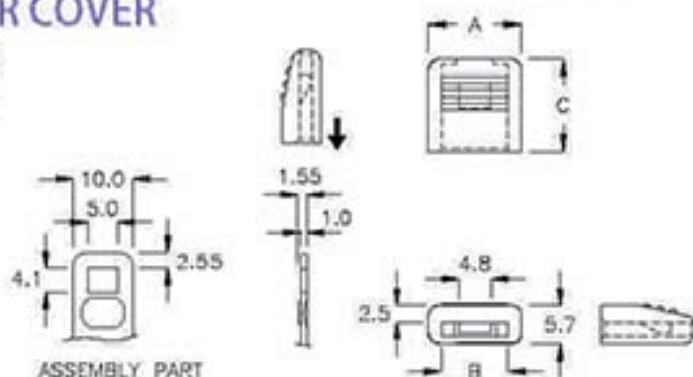
ASSEMBLY PART

PART NO	A	B	C	D	E	PACKAGE
MHL-21KQ	13.7	10.45	21.6	19.7	13.6	500



把手蓋 EJECTOR COVER

MATERIAL: TPE
COLOR: BLACK



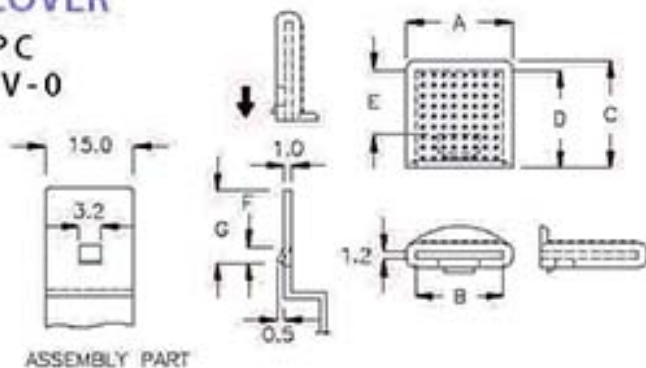
ASSEMBLY PART

PART NO	A	B	C	PACKAGE
MHL-25	14.0	10.0	13.9	1000



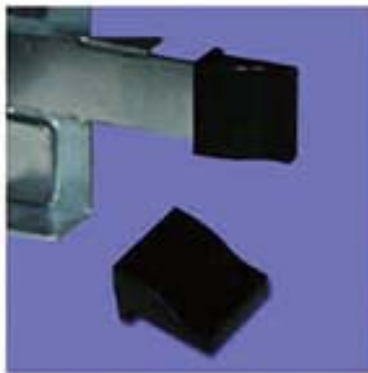
把手蓋 EJECTOR COVER

MATERIAL: ABS+PC
FLAME CLASS: 94V-0
COLOR: BLACK



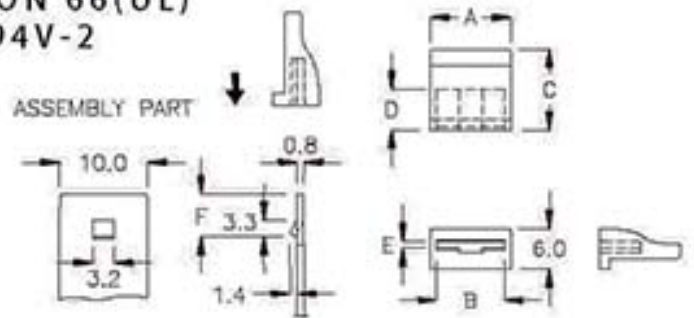
ASSEMBLY PART

PART NO	A	B	C	D	E	F	G	PACKAGE
MHL-13	18.3	15.1	18.5	16.7	11.2	3.0	14.0	500
MHL-13A	18.3	15.2	18.5	17.2	10.9	3.3	14.5	



把手蓋 EJECTOR COVER

MATERIAL: NYLON 66(UL)
FLAME CLASS: 94V-2
COLOR: BLACK

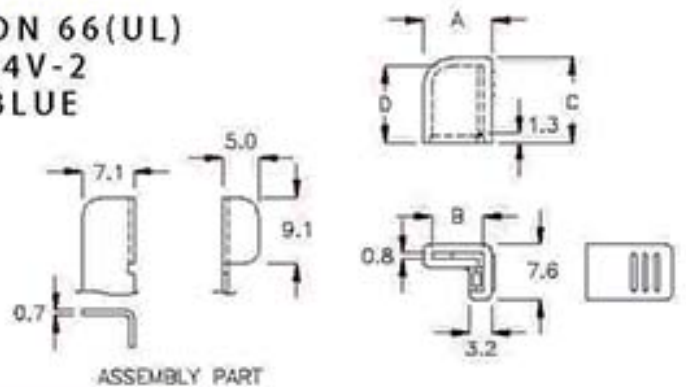


PART NO	A	B	C	D	E	F	PACKAGE
MHL-12	12.0	10.0	12.0	6.0	0.95	5.0	1000
★ MHL-12DT	12.0	10.1	12.0	7.0	0.9	5.3	500

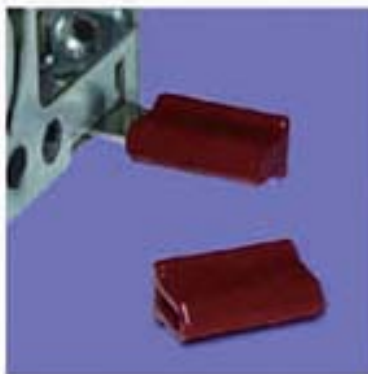


把手蓋 EJECTOR COVER

MATERIAL: NYLON 66(UL)
FLAME CLASS: 94V-2
COLOR: BLACK, BLUE

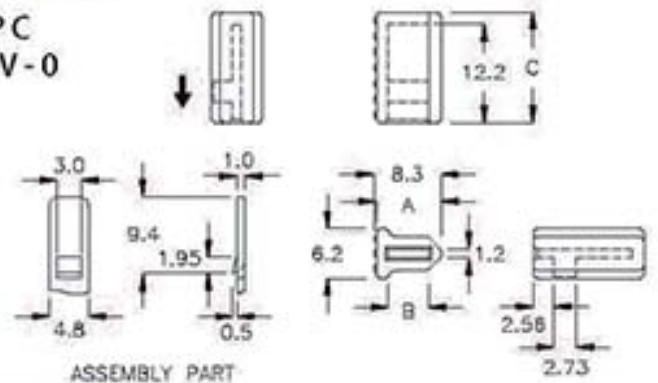


PART NO	A	B	C	D	PACKAGE
MHL-16	9.5	7.1	11.7	10.5	500

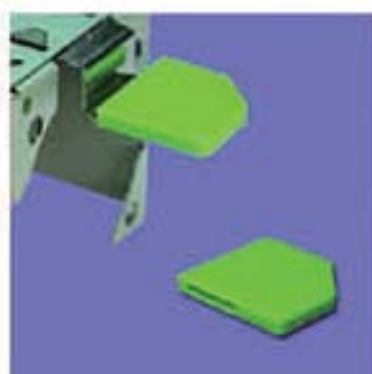


把手蓋 EJECTOR COVER

MATERIAL: ABS+PC
FLAME CLASS: 94V-0
COLOR: RED

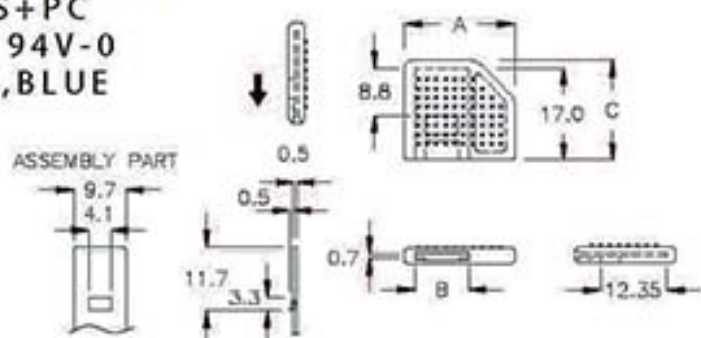


PART NO	A	B	C	PACKAGE
MHL-17	8.0	5.0	13.7	500

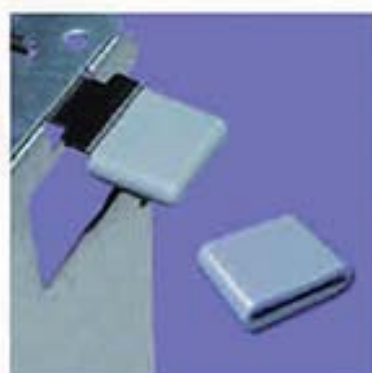


把手蓋 EJECTOR COVER

MATERIAL: ABS+PC
FLAME CLASS: 94V-0
COLOR: GREEN, BLUE

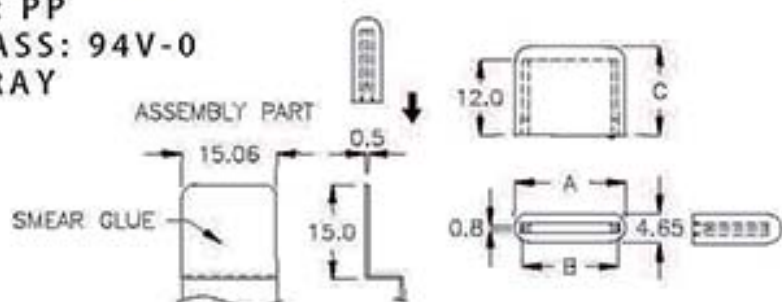


PART NO	A	B	C	PACKAGE
MHL-18FR	20.4	9.9	18.5	500



把手蓋 EJECTOR COVER

MATERIAL: PP
FLAME CLASS: 94V-0
COLOR: GRAY

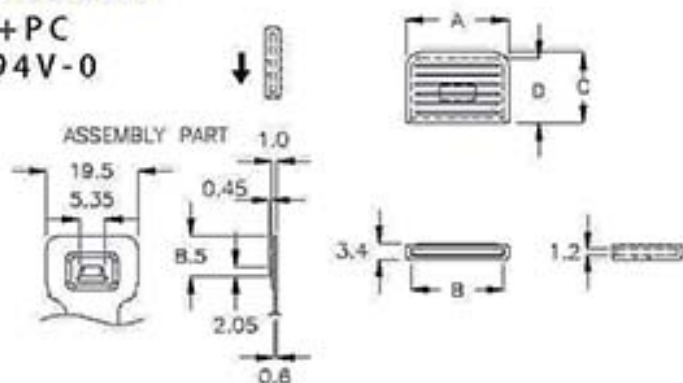


PART NO	A	B	C	PACKAGE
MHL-18	17.6	15.0	14.2	1000

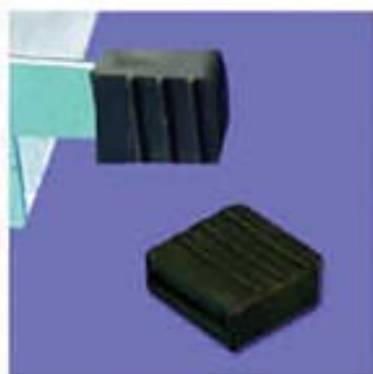


把手蓋 EJECTOR COVER

MATERIAL: ABS+PC
FLAME CLASS: 94V-0
COLOR: BLUE

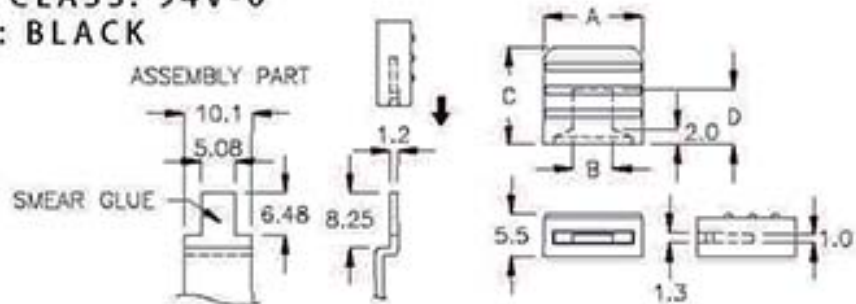


PART NO	A	B	C	D	PACKAGE
MHL-19TD	22.0	19.6	15.0	13.8	1000

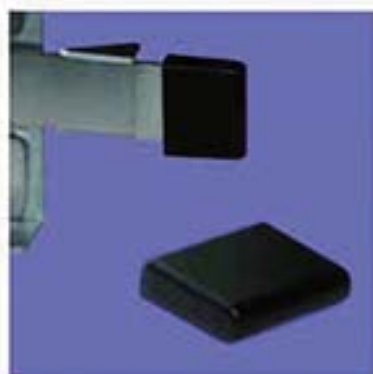


把手蓋 EJECTOR COVER

MATERIAL: TPR
FLAME CLASS: 94V-0
COLOR: BLACK

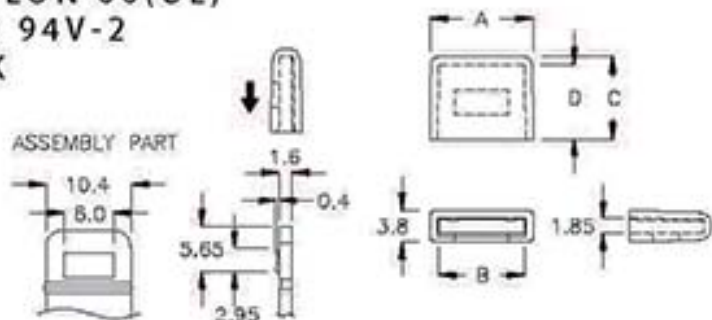


PART NO.	A	B	C	D	PACKAGE
MHL-22	12.7	4.8	12.5	7.1	1000

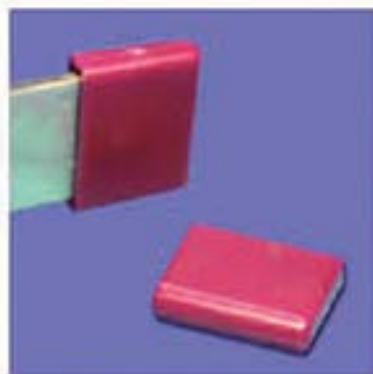


把手蓋 EJECTOR COVER

MATERIAL: NYLON 66(UL)
FLAME CLASS: 94V-2
COLOR: BLACK

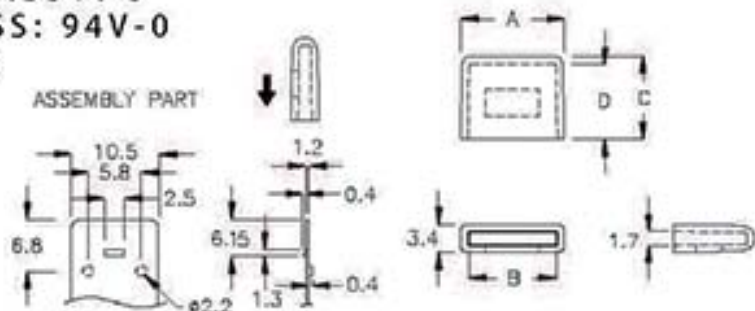


PART NO.	A	B	C	D	PACKAGE
MHL-12YW	12.7	10.8	10.15	9.05	500



把手蓋 EJECTOR COVER

MATERIAL: ABS+PC
FLAME CLASS: 94V-0
COLOR: RED



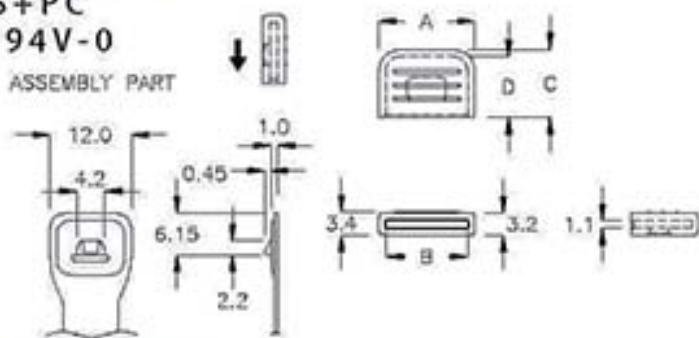
PART NO.	A	B	C	D	PACKAGE
MHL-24	12.7	10.7	10.1	9.1	1000



把手蓋 EJECTOR COVER

MATERIAL: ABS+PC
FLAME CLASS: 94V-0
COLOR: BLUE

ASSEMBLY PART



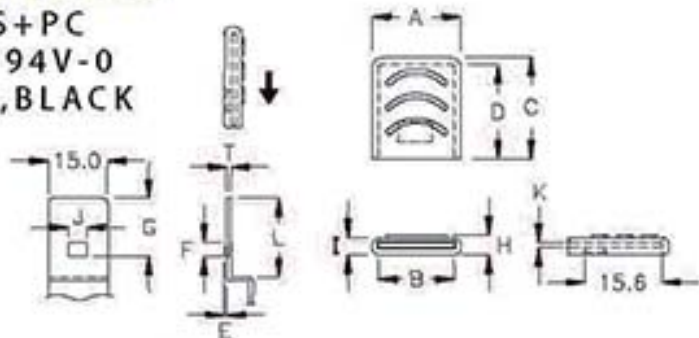
PART NO	A	B	C	D	PACKAGE
MHL-14JP	14.2	12.1	10.0	9.0	500



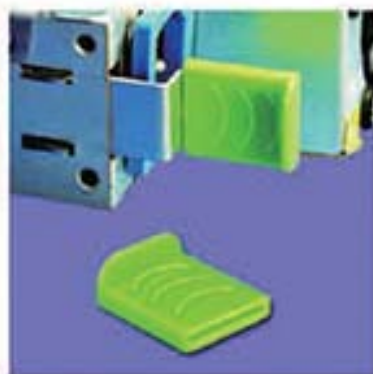
把手蓋 EJECTOR COVER

MATERIAL: ABS+PC
FLAME CLASS: 94V-0
COLOR: GREEN, BLACK

ASSEMBLY PART



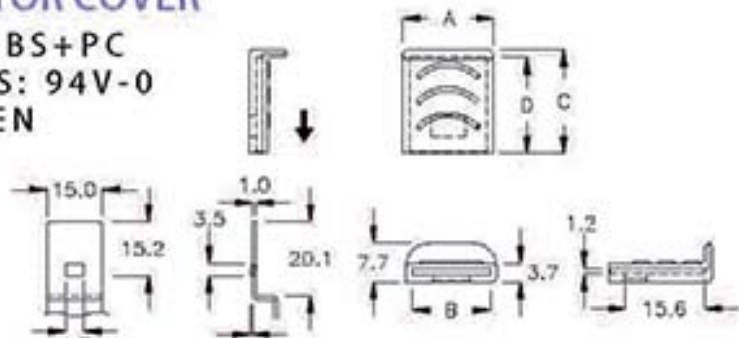
PART NO	A	B	C	D	E	F	G	H	I	J	K	L	T	PACKAGE
MHL-24DM	18.0	15.3	20.5	19.0	0.5	3.5	15.2	4.0	3.7	4.7	1.2	20.1	1.0	500
MHL-24RK	18.0	15.3	20.5	19.0	0.5	3.4	15.4	4.5	4.0	4.1	1.0	20.3	0.8	
MHL-24SY	18.3	15.1	20.7	19.1	0.5	3.4	15.4	4.6	4.1	4.1	1.05	20.3	0.8	
MHL-24TL	18.0	15.3	20.5	19.0	0.7	3.6	15.6	4.7	4.2	3.5	1.2	20.0	1.0	



把手蓋 EJECTOR COVER

MATERIAL: ABS+PC
FLAME CLASS: 94V-0
COLOR: GREEN

ASSEMBLY PART

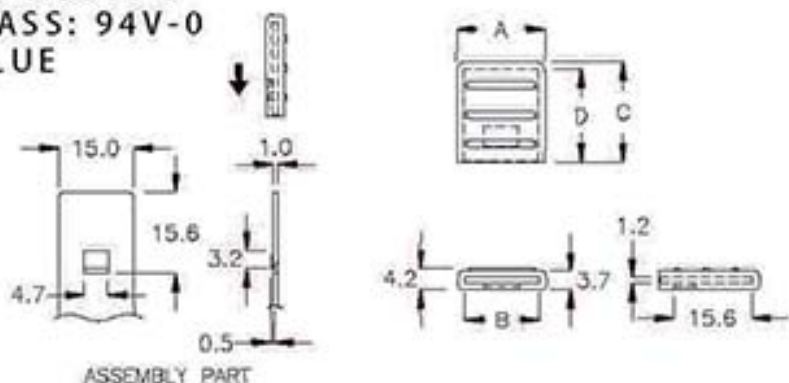


PART NO	A	B	C	D	PACKAGE
MHL-18CL	18.0	15.3	20.5	19.0	500



把手蓋 EJECTOR COVER

MATERIAL: ABS+PC
FLAME CLASS: 94V-0
COLOR: BLUE



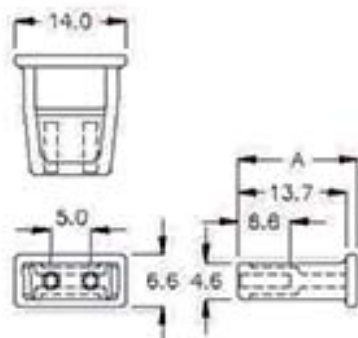
ASSEMBLY PART

PART NO	A	B	C	D	PACKAGE
MHL-18DF	18.0	15.2	20.5	19.0	500



把手蓋 EJECTOR COVER

MATERIAL: NYLON 66(UL)
FLAME CLASS: 94V-0
COLOR: BLUE
USE M2 TAPPING SCREW



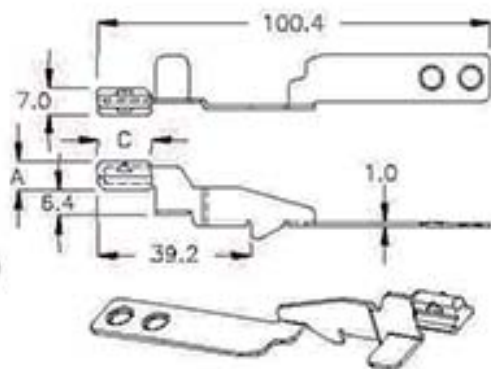
PART NO	A	PACKAGE
★ MHLF-15A	15.2	500



把手蓋 EJECTOR COVER

MATERIAL: ABS+PC
FLAME CLASS: 94V-0
COLOR: GREEN
MATERIAL: SUS301
COLOR: NATURAL

鐵件為客戶提供，我司協助包埋射出。
(此為客制品，歡迎提供鐵件，我司協助包埋)



PART NO	A	C	PACKAGE
MHLA-14GP	7.5	13.7	50

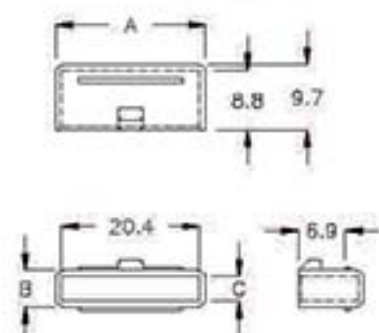
13-59-1



防塵蓋 SATA DUST COVER

MATERIAL: NYLON 66(UL)
FLAME CLASS: 94V-2
COLOR: BLACK

PART NO.	A	B	C	PACKAGE
HTD-20A	22.2	3.4	3.6	1000



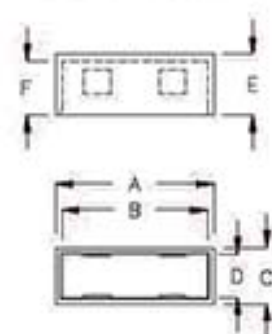
13-59-2



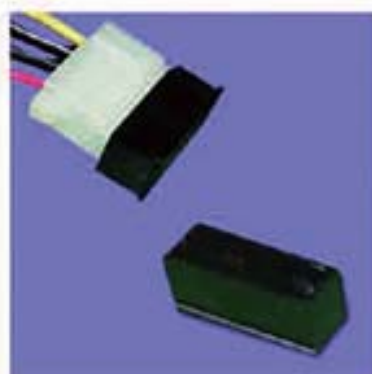
防塵蓋 SATA DUST COVER

MATERIAL: NYLON 66(UL)
FLAME CLASS: 94V-2
COLOR: NATURAL

PART NO.	A	B	C	D	E	F	PACKAGE
HC-21	23.4	21.6	8.2	6.4	9.0	8.0	500



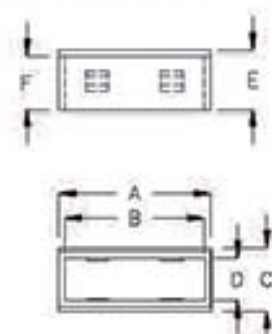
13-59-3



防塵蓋 SATA DUST COVER

MATERIAL: NYLON 66(UL)
FLAME CLASS: 94V-2
COLOR: BLACK

PART NO.	A	B	C	D	E	F	PACKAGE
HC-21F	23.9	22.0	10.0	6.6	9.3	8.3	500
HC-21H	23.0	21.1	10.4	6.5	9.1	8.1	



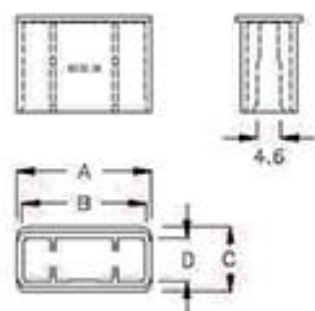
13-59-4



防塵蓋 SATA DUST COVER

MATERIAL: ABS(UL)
FLAME CLASS: 94V-0
COLOR: BLACK

PART NO.	A	B	C	D	PACKAGE
HC-27A	26.7	24.7	13.0	8.6	500



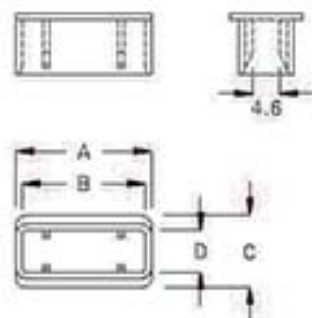
13-60-1



防塵蓋 SATA DUST COVER

MATERIAL: PC(UL)
FLAME CLASS: 94V-2
COLOR: BLACK

PART NO	A	B	C	D	PACKAGE
HCQ-22KR	22.5	20.5	12.0	7.0	500



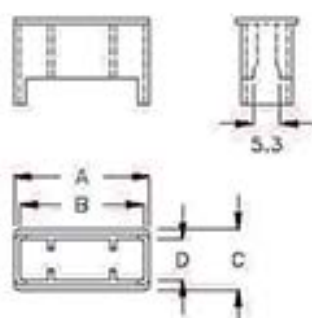
13-60-2



防塵蓋 SATA DUST COVER

MATERIAL: ABS(UL)
FLAME CLASS: 94V-0
COLOR: BLACK

PART NO	A	B	C	D	PACKAGE
HC-27C	26.8	24.4	12.0	8.0	500



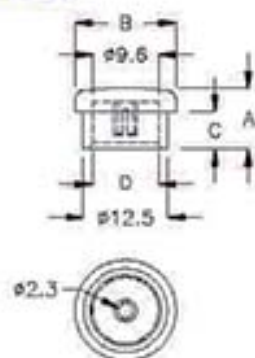
13-60-3



網通光纖接頭防塵蓋 TRANSPORTER COVER

MATERIAL: NYLON 66(UL)
FLAME CLASS: 94V-2
COLOR: BLACK

PART NO	A	B	C	D	PACKAGE
HB-01	9.0	φ15.0	5.5	φ9.8	1000



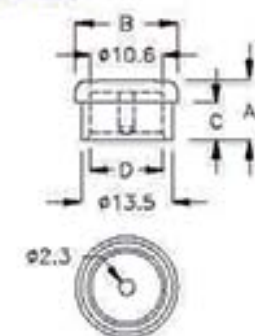
13-60-4



網通光纖接頭防塵蓋 TRANSPORTER COVER

MATERIAL: NYLON 66(UL)
FLAME CLASS: 94V-2
COLOR: BLACK

PART NO	A	B	C	D	PACKAGE
HB-02	9.0	φ15.0	5.5	φ10.7	1000



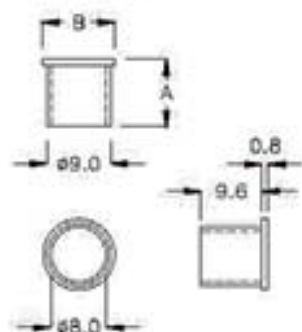
13-61-1



PS/2 防塵蓋 PS/2 DUST COVER

MATERIAL: PP
COLOR: BLACK

PART NO	A	B	PACKAGE
HB-03	10.4	ø10.5	1000



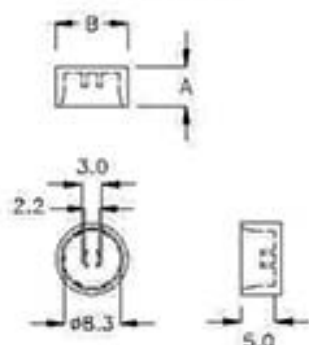
13-61-2



AVI端子防塵蓋 DUST COVER

MATERIAL: NYLON 66(UL)
FLAME CLASS: 94V-2
COLOR: BLACK

PART NO	A	B	PACKAGE
AVI-01	6.0	ø10.6	1000



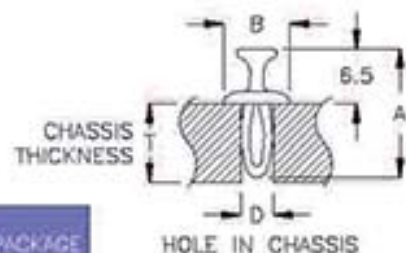
13-61-3



音源孔防塵蓋 AUDIO SOURCE HOLE COVER

MATERIAL: NYLON 66(UL)
FLAME CLASS: 94V-2
COLOR: BLACK

PART NO	A	B	T CHASSIS THICKNESS	D HOLE IN CHASSIS	PACKAGE
MBJ-3A	15.3	ø7.9	>8.8	ø3.6~ø3.65	2000



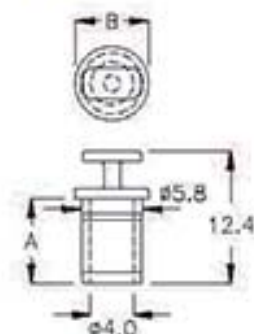
13-61-4



插頭蓋 DC COVER

MATERIAL: NYLON 66(UL)
FLAME CLASS: 94V-2
COLOR: BLACK

PART NO	A	B	PACKAGE
DCC-5JA	7.9	ø5.9	2000



13-62-1

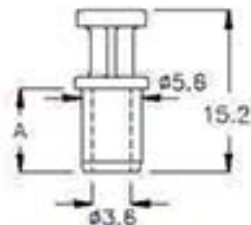


插頭蓋 DC COVER

MATERIAL: NYLON 66(UL)
FLAME CLASS: 94V-2
COLOR: BLACK



PART NO	A	B	PACKAGE
★ DCJ-SGK	7.9	ø6.9	2000



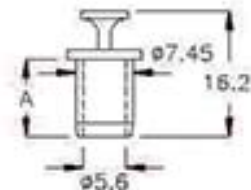
13-62-2



插頭蓋 DC COVER

MATERIAL: NYLON 66(UL)
FLAME CLASS: 94V-2
COLOR: BLACK

PART NO	A	B	PACKAGE
DCC-7AK	10.0	ø9.5	2000



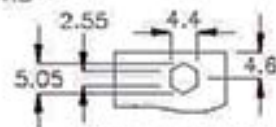
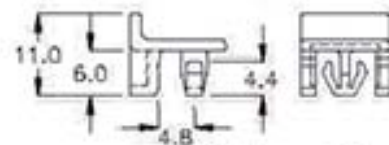
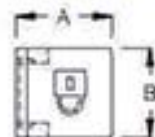
13-62-3



固定座 MOUNT

MATERIAL: NYLON 66(UL)
FLAME CLASS: 94V-2
COLOR: BLACK

PART NO	A	B	PACKAGE
DHD-01	12.8	12.0	500



HOLE IN CHASSIS
CHASSIS THICKNESS: 2.0mm

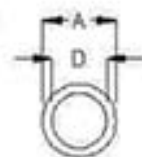
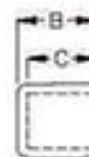
13-62-4



防塵蓋 DUST COVER

COLOR: NATURAL, BLACK

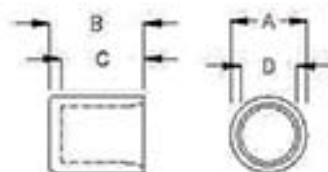
PART NO	MATERIAL	A	B	C	D	PACKAGE
HC-5	N66	ø8.0	5.2	4.7	ø6.5	2000
HC-5S	N66	ø8.0	3.0	2.6	ø6.5	
HC-6	TPE	ø8.0	8.5	7.4	ø6.0	1000
HC-6DP	TPE	ø8.0	5.4	4.3	ø6.0	
HC-8	N66	ø10.7	8.2	6.8	ø8.0	
HC-9	TPE	ø11.0	9.7	8.7	ø9.0	
HC-10	N66	ø12.0	9.2	8.0	ø10.0	





防塵蓋 DUST COVER
MATERIAL: SILICONE
COLOR: BLACK

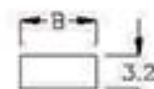
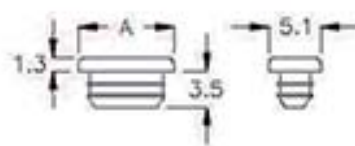
PART NO	A	B	C	D	PACKAGE
VCK-5A	ø6.6	8.1	7.1	ø4.8	2000
VCK-7K	ø7.7	12.0	11.5	ø5.7	1000
VCK-8D	ø9.6	12.0	11.5	ø8.6	



K-LOCK防塵蓋 K-LOCK COVER
MATERIAL: TPE
COLOR: BLACK

NEW

PART NO	A	B	PACKAGE
★ NEF-9DL	9.3	7.4	2000
★ NEF-9WS	9.3	7.0	

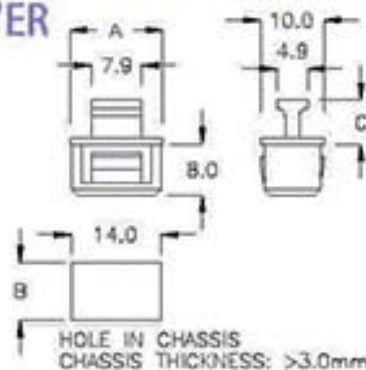


HOLE IN CHASSIS
 CHASSIS THICKNESS: $\geq 1.0\text{mm}$

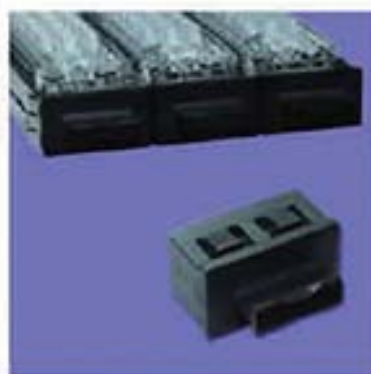


SFP防塵蓋 SFP CONNECTOR COVER
MATERIAL: PE
COLOR: BLACK

PART NO	A	B	C	PACKAGE
NEP-01	14.5	9.0	6.9	500
NEP-10M	14.0	8.9	6.8	

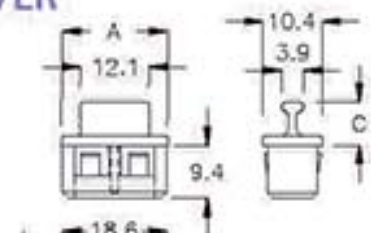


HOLE IN CHASSIS
 CHASSIS THICKNESS: $> 3.0\text{mm}$



SFP防塵蓋 SFP CONNECTOR COVER
MATERIAL: NYLON 66(UL)
FLAME CLASS: 94V-2
COLOR: BLACK

PART NO	A	B	C	PACKAGE
NEC-1B	18.6	8.85	7.6	500



HOLE IN CHASSIS
 CHASSIS THICKNESS: $> 2.4\text{mm}$

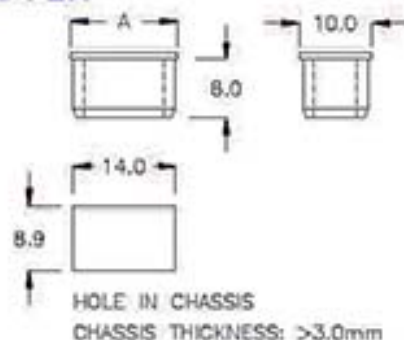
13-64-1



SFP防塵蓋 SFP CONNECTOR COVER

MATERIAL: PE
COLOR: BLACK

PART NO.	A	PACKAGE
NEX-14	14.6	500



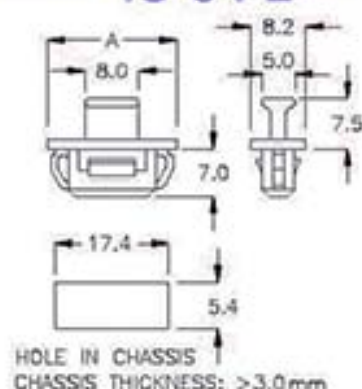
13-64-2



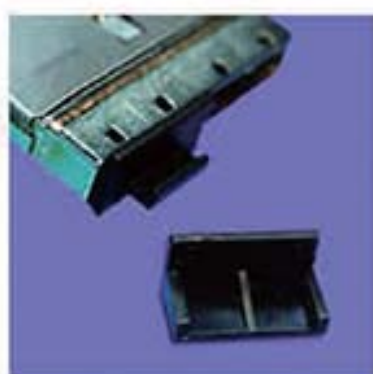
MINI SII插頭蓋 MINI SII COVER

MATERIAL: PE
COLOR: BLACK

PART NO.	A	PACKAGE
NEY-01	19.2	500



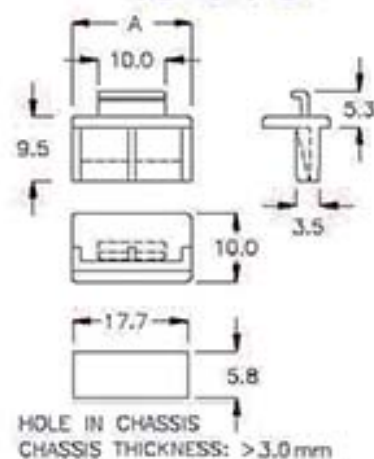
13-64-3



MINI SII插頭蓋 MINI SII COVER

MATERIAL: PP
COLOR: BLACK

PART NO.	A	PACKAGE
NEY-2A	17.8	500



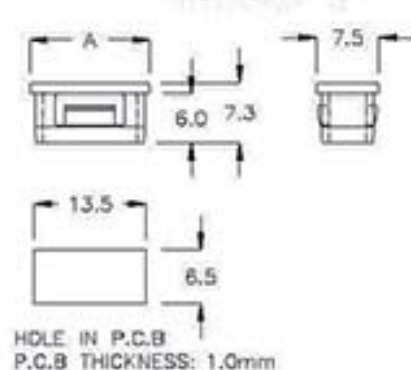
13-64-4



防塵蓋 DUST COVER

MATERIAL: NYLON 66(UL)
FLAME CLASS: 94V-2
COLOR: BLACK

PART NO.	A	PACKAGE
HBC-14CK	14.5	1000



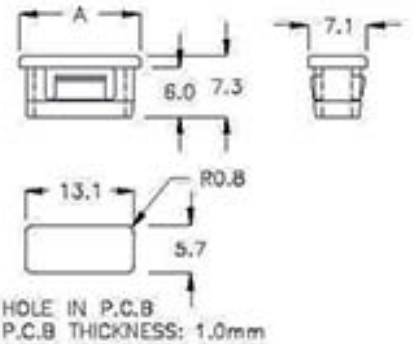
13-65-1



防塵蓋 DUST COVER

MATERIAL: NYLON 66(UL)
FLAME CLASS: 94V-2
COLOR: BLACK

PART NO	A	PACKAGE
HBC-14FM	14.5	1000



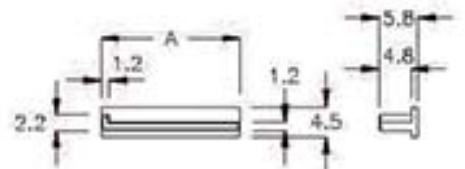
13-65-2



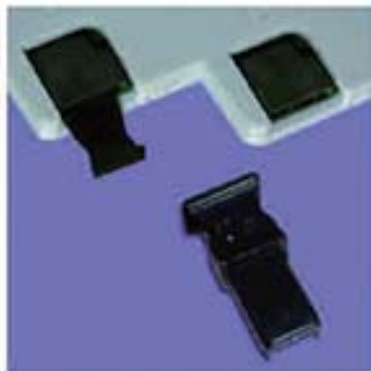
防塵蓋 POWER CONNECTOR COVER

MATERIAL: NYLON 66(UL)
FLAME CLASS: 94V-2
COLOR: BLACK

PART NO	A	PACKAGE
HBF-01	20.5	1000



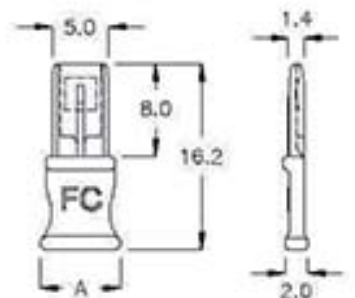
13-65-3



防塵蓋 DUST COVER

MATERIAL: NYLON 66(UL)
FLAME CLASS: 94V-2
COLOR: BLACK

PART NO	A	PACKAGE
HCL-5M	7.0	1000



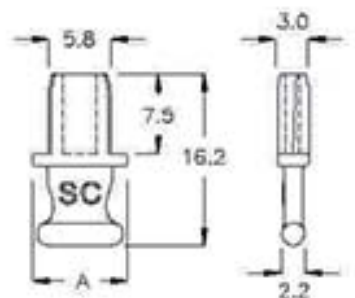
13-65-4



防塵蓋 DUST COVER

MATERIAL: TPE
COLOR: BLACK

PART NO	A	PACKAGE
HCW-6T	9.0	1000



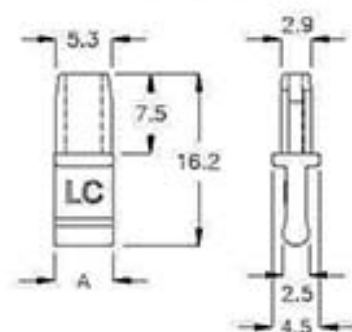
13-66-1



防塵蓋 DUST COVER

MATERIAL: TPE
COLOR: BLACK

PART NO	A	PACKAGE
HGZ-5A	5.6	1000



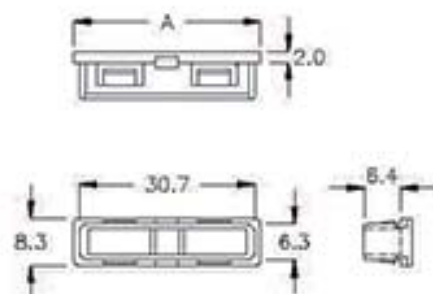
13-66-2



防塵蓋 DUST COVER

MATERIAL: PE
COLOR: BLACK

PART NO	A	PACKAGE
NER-30A	32.5	500



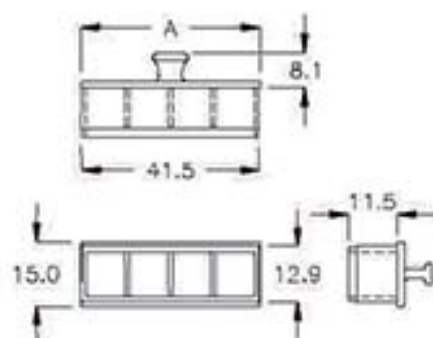
13-66-3



防塵蓋 DUST COVER

MATERIAL: NYLON 66(UL)
FLAME CLASS: 94V-2
COLOR: BLACK

PART NO	A	PACKAGE
CFP-41A	41.7	200



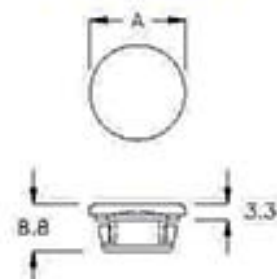
13-66-4



防塵蓋 DUST COVER

MATERIAL: NYLON 66(UL)
FLAME CLASS: 94V-2
COLOR: NATURAL

PART NO	A	PACKAGE
HBA-01	φ18.0	1000



HOLE IN CHASSIS: φ13.5
CHASSIS THICKNESS: >2.0mm

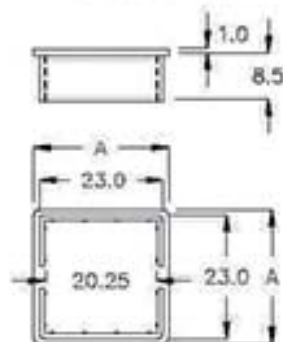
13-67-1



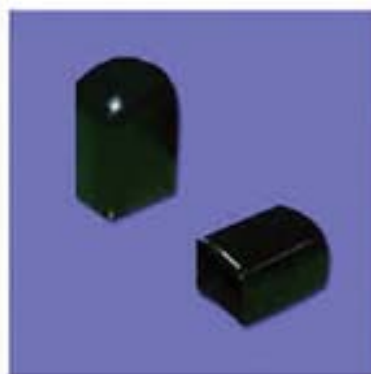
防塵蓋 DUST COVER

MATERIAL: NYLON 66(UL)
FLAME CLASS: 94V-2
COLOR: NATURAL

PART NO	A	PACKAGE
HKA-20A	25.0	200



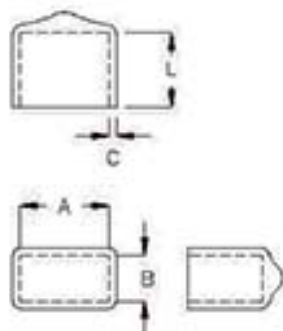
13-67-2



防塵蓋 VCP CAP

MATERIAL: PVC
COLOR: BLACK

PART NO	A	B	L	C	PACKAGE
VCQ-7A	7.4	9.0	12.8	1.0	1000
VCQ-08	8.3	1.0	8.0	0.8	2000
VCQ-9A	9.6	4.5	16.0	1.2	1000
VCQ-10	10.1	1.0	7.0	1.0	
VCQ-12	12.0	4.7	10.0	1.0	



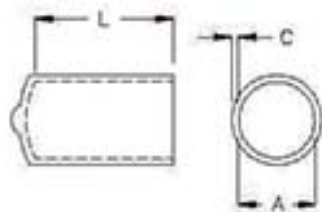
13-67-3



防塵蓋 VCP CAP

MATERIAL: PVC
COLOR: BLACK, RED, WHITE
BLUE, YELLOW, GREEN
UL STANDARD ALSO AVAILABLE

PART NO	A	L	C	PACKAGE
VCP-3.2	3.2	13.0	0.8	2000
VCP-4.0	4.0	8.0	0.8	1000
VCP-4.8	4.8	13.0	0.8	
VCP-5.7	5.7	13.0	1.0	
VCP-6.5	6.5	13.0	1.0	
VCP-7.6	7.6	8.0	1.0	
VCP-8.0	8.0	10.0	1.0	
VCP-9.5	9.4	16.0	1.0	
VCP-9.5A	9.5	13.0	1.0	
VCP-11	11.4	20.0	1.2	
VCP-12	12.0	16.0	1.2	
VCP-14	14.0	35.0	1.2	500
VCP-18	18.0	13.0	1.2	
VCP-18C	18.0	18.0	1.2	

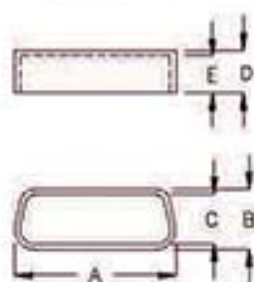


13-68-1



插頭蓋 HOUSING COVER

MATERIAL: PP
COLOR: NATURAL



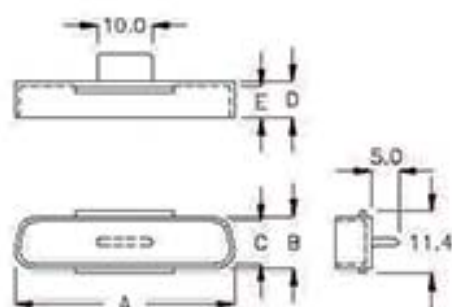
PART NO	A	B	C	D	E	SUITABLE SOCKET	PACKAGE
HC-0	18.1	9.2	7.85	6.5	5.7	9 PIN FEMALE	500
HC-1	26.0	9.2	7.85	6.5	5.7	15 PIN FEMALE	
HC-2	20.0	11.0	9.2	7.2	6.1	9 PIN MALE	
HC-15	39.8	9.2	7.85	6.5	5.7	25 PIN FEMALE	
HC-16	42.0	10.9	9.1	7.3	6.3	25 PIN MALE	200

13-68-2



插頭蓋 HOUSING COVER

MATERIAL: NYLON 66(UL)
FLAME CLASS: 94V-2
COLOR: BLACK



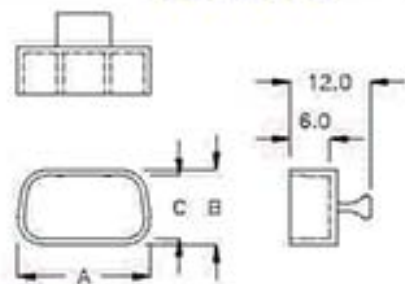
PART NO	A	B	C	D	E	SUITABLE SOCKET	PACKAGE
HC-150C	40.05	9.4	7.75	6.6	5.6	25 PIN FEMALE	500

13-68-3



插頭蓋 HOUSING COVER

MATERIAL: NYLON 66(UL)
FLAME CLASS: 94V-2
COLOR: BLACK



PART NO	A	B	C	SUITABLE SOCKET	PACKAGE
HCM-19J	19.6	11.1	9.4	9 PIN MALE	500

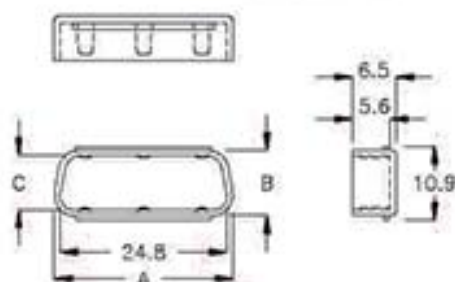
PINGOOD

13-69-1



插頭蓋 HOUSING COVER

MATERIAL: NYLON 66(UL)
FLAME CLASS: 94V-2
COLOR: NATURAL



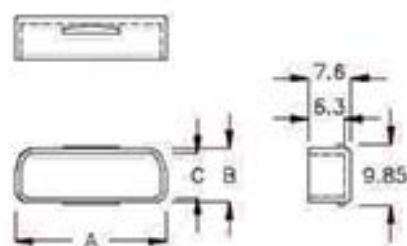
PART NO	A	B	C	SUITABLE SOCKET	PACKAGE
HC-1A	26.5	9.7	8.1	15 PIN FEMALE	500

13-69-2



DVI 防塵蓋 DVI COVER

MATERIAL: PE
COLOR: NATURAL



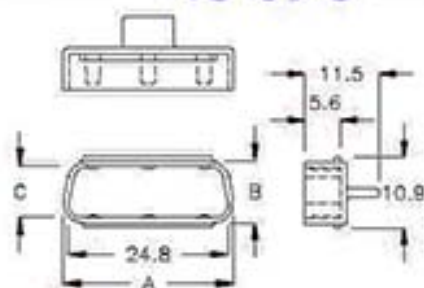
PART NO	A	B	C	PACKAGE
HC-1PZ	25.85	9.25	7.65	500

13-69-3



插頭蓋 HOUSING COVER

MATERIAL: NYLON 66(UL)
FLAME CLASS: 94V-2
COLOR: BLACK



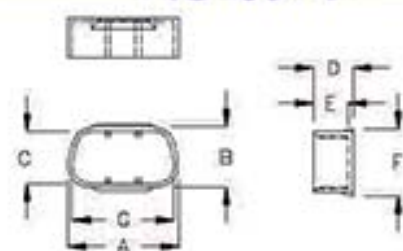
PART NO	A	B	C	SUITABLE SOCKET	PACKAGE
HCM-26F	26.5	9.7	8.1	15 PIN FEMALE	500

13-69-4



插頭蓋 HOUSING COVER

MATERIAL: NYLON 66(UL)
FLAME CLASS: 94V-2
COLOR: BLACK



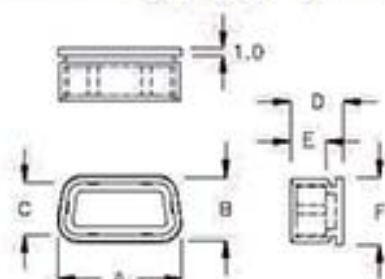
PART NO	A	B	C	D	E	F	G	SUITABLE SOCKET	PACKAGE
HC-02A	17.8	9.7	8.3	6.5	5.7	10.7	16.4	9 PIN FEMALE	500
HC-02C	18.4	10.0	8.0	6.1	5.0	11.2	16.4	9 PIN FEMALE	
HC-2FH	19.6	11.1	9.3	7.0	6.0	12.5	17.8	9 PIN MALE	

13-70-1



插頭蓋 HOUSING COVER

MATERIAL: PE
COLOR: NATURAL



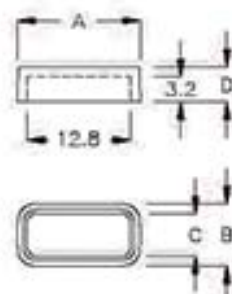
PART NO	A	B	C	D	E	F	SUITABLE SOCKET	PACKAGE
HC-2RF	18.0	9.4	7.8	7.7	5.2	10.1	9 PIN FEMALE	500

13-70-2



插頭蓋 HOUSING COVER

MATERIAL: PP
COLOR: NATURAL



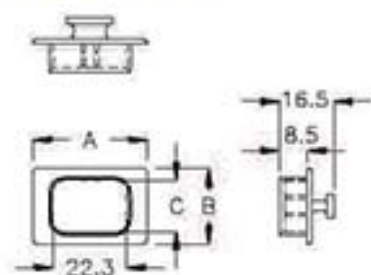
PART NO	A	B	C	D	PACKAGE
HC-12A	15.2	7.6	5.3	4.3	500

13-70-3



PDU-C14防塵蓋 PDU C14 CONNECTOR COVER

MATERIAL: PE
COLOR: BLACK



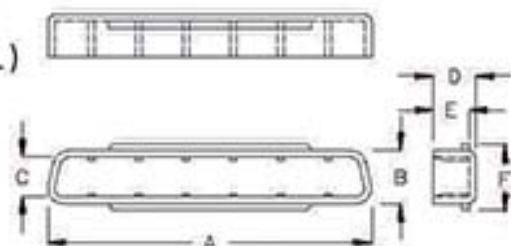
PART NO	A	B	C	PACKAGE
HDZ-23C	34.6	23.0	15.4	200

13-70-4



插頭蓋 HOUSING COVER

MATERIAL: NYLON 66(UL)
FLAME CLASS: 94V-2
COLOR: NATURAL

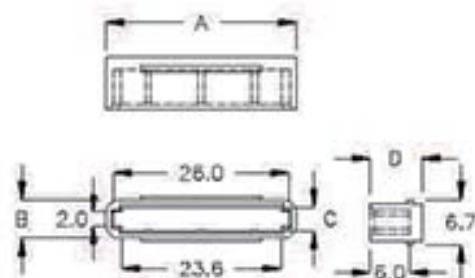


PART NO	A	B	C	D	E	F	PACKAGE
HC-17	48.0	7.9	5.9	6.3	5.3	9.9	200
HC-18	58.0	10.4	8.4	6.8	5.8	12.4	



防塵蓋 DUST COVER

MATERIAL: NYLON 66(UL)
FLAME CLASS: 94V-2
COLOR: BLACK

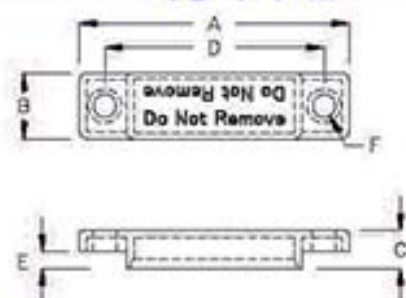


PART NO	A	B	C	D	PACKAGE
HC-28	28.2	5.7	3.6	7.7	500



DVI 防塵蓋 DVI COVER

MATERIAL: ABS(UL)
FLAME CLASS: 94HB
COLOR: BLACK

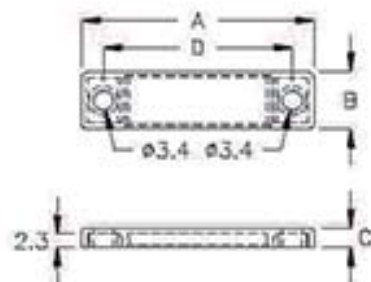


PART NO	A	B	C	D	E	F	PACKAGE
HC-24	40.1	9.8	5.7	32.6	2.5	φ3.4	500



DVI 防塵蓋 DVI COVER

MATERIAL: ABS(UL)
FLAME CLASS: 94HB
COLOR: BLACK

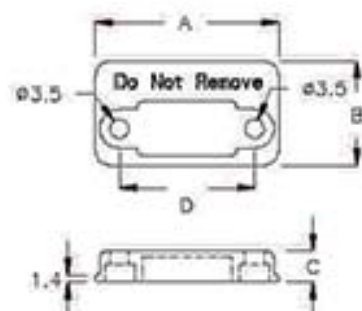


PART NO	A	B	C	D	PACKAGE
HC-24A	40.0	9.8	3.3	32.5	500



VGA插頭蓋 VGA COVER

MATERIAL: ABS(UL)
FLAME CLASS: 94HB
COLOR: BLACK



PART NO	A	B	C	D	PACKAGE
H00-2A	34.0	19.3	5.8	25.0	200

PINGOOD

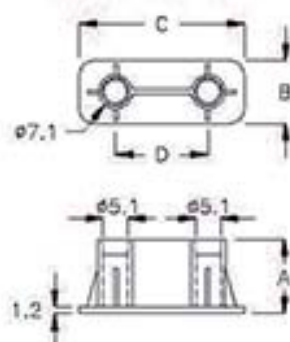
13-72-1



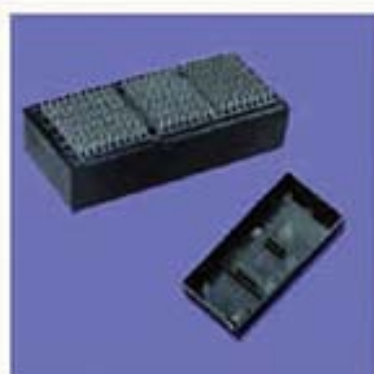
PLUG防塵蓋 PLUG DUST COVER

MATERIAL: PE
COLOR: BLACK

PART NO	A	B	C	D	PACKAGE
HDK-34	15.2	13.0	34.0	19.1	500



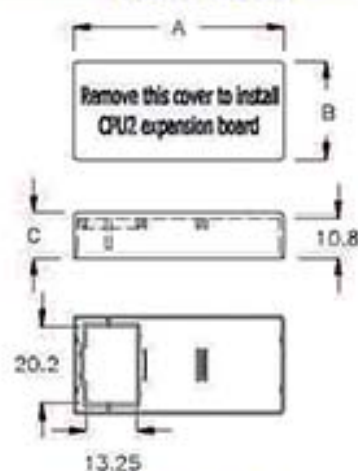
13-72-2



QPI防塵蓋 QPI DUST COVER

MATERIAL: NYLON 66(UL)
FLAME CLASS: 94V-2
COLOR: BLACK

PART NO	A	B	C	PACKAGE
QPI-57A	57.1	26.6	12.3	500



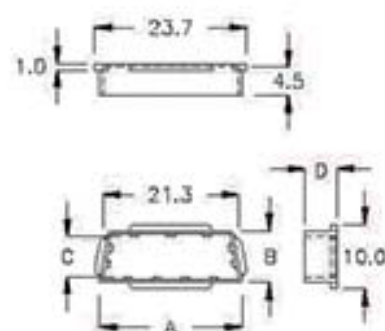
13-72-3



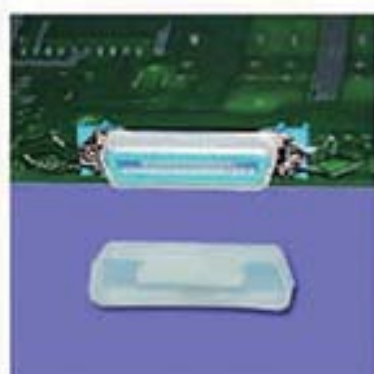
插頭蓋 HOUSING COVER

MATERIAL: NYLON 66(UL)
FLAME CLASS: 94V-2
COLOR: BLACK

PART NO	A	B	C	D	PACKAGE
HC-51	22.3	8.1	6.2	5.0	500



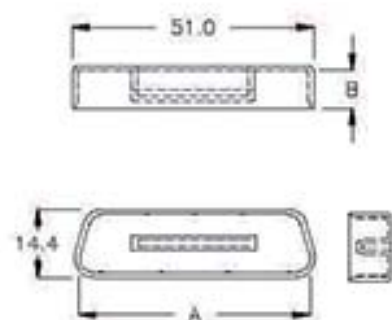
13-72-4



插頭蓋 HOUSING COVER

MATERIAL: PP
COLOR: NATURAL

PART NO	A	B	PACKAGE
HC-049	49.0	8.0	200



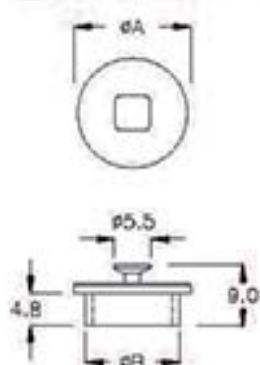
13-73-1



插頭蓋 HOUSING COVER

MATERIAL: PE
COLOR: BLACK

PART NO	A	B	PACKAGE
HC-5C	17.3	14.0	2000



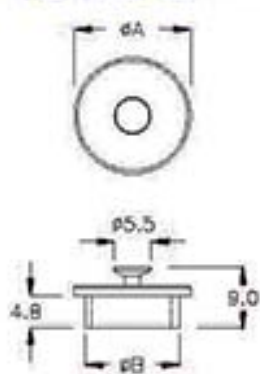
13-73-2



插頭蓋 HOUSING COVER

MATERIAL: PE
COLOR: BLACK

PART NO	A	B	PACKAGE
HC-5D	12.0	9.9	2000



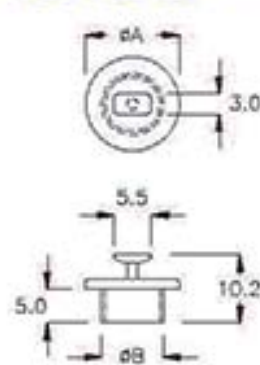
13-73-3



插頭蓋 PS-2 COVER

MATERIAL: PP(UL)
COLOR: BLACK

PART NO	A	B	PACKAGE
HC-5A	14.0	9.1	2000



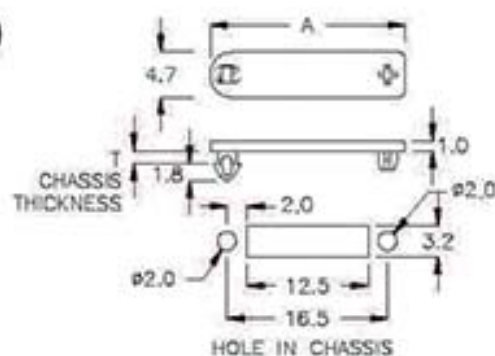
13-73-4



防塵蓋 DUST COVER

MATERIAL: NYLON 66(UL)
FLAME CLASS: 94V-2
COLOR: NATURAL

PART NO	A	T P.C.B. THICKNESS	PACKAGE
HCR-20	20.0	0.8	2000





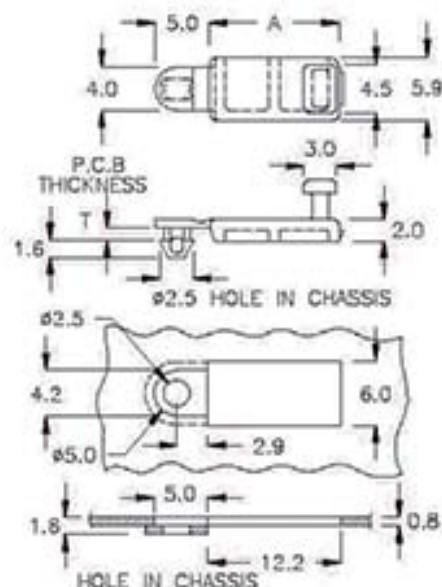
防塵蓋 DUST COVER

MATERIAL: TPR(UL)
FLAME CLASS: 94V-0
COLOR: BLACK



HOLE IN CHASSIS

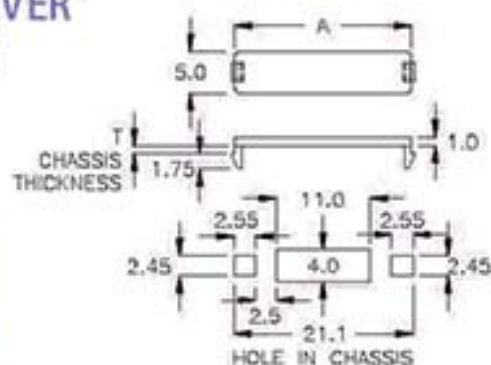
PART NO	A	T P.C.B THICKNESS	PACKAGE
HCD-01	12.0	0.8	1000



保護蓋 HOLE PROTECT COVER

MATERIAL: NYLON 66(UL)
FLAME CLASS: 94V-2
COLOR: BLACK

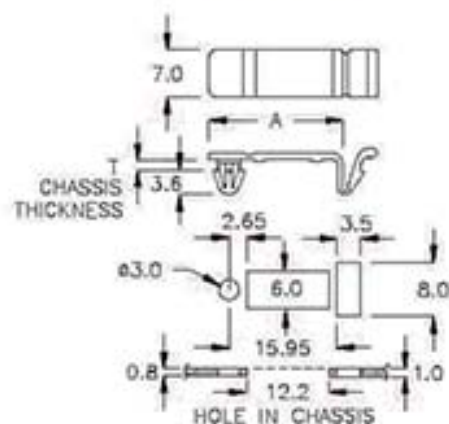
PART NO	A	T CHASSIS THICKNESS	PACKAGE
BHR-21A	20.8	0.8	1000



防塵蓋 DUST COVER

MATERIAL: NYLON 66(UL)
FLAME CLASS: 94V-2
COLOR: NATURAL

PART NO	A	T CHASSIS THICKNESS	PACKAGE
HCP-24D	19.8	0.8	1000

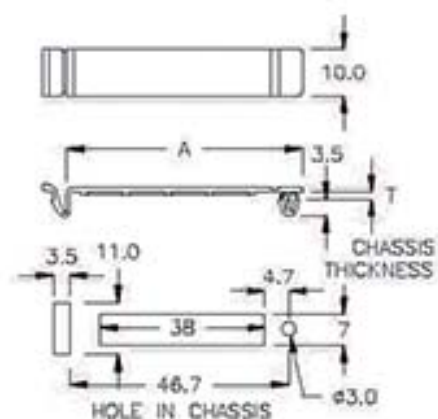




固定座 MOUNT

MATERIAL: NYLON 66(UL)
FLAME CLASS: 94V-2
COLOR: BLACK

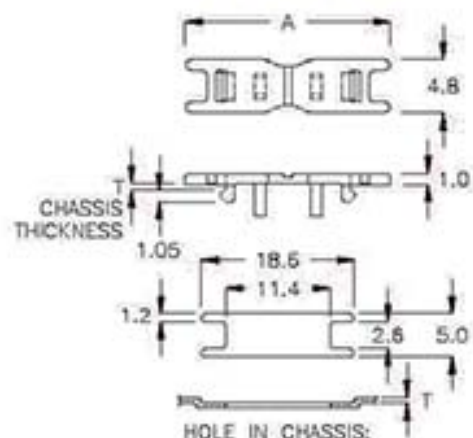
PART NO	A	T CHASSIS THICKNESS	PACKAGE
HCP-55F	50.5	0.8	200



防塵蓋 DUST COVER

MATERIAL: NYLON 66(UL)
FLAME CLASS: 94V-2
COLOR: BLACK

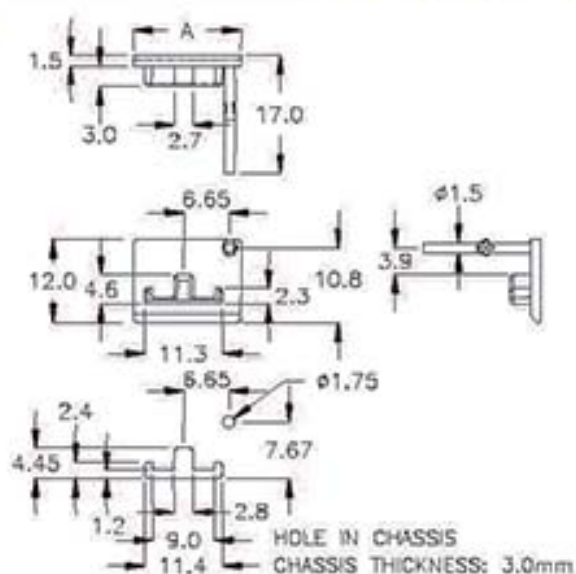
PART NO	A	T CHASSIS THICKNESS	PACKAGE
HCR-18K	18.4	0.8	2000



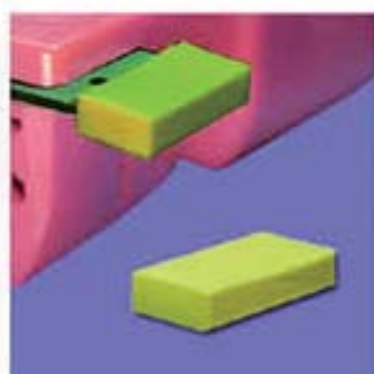
防塵蓋 DUST COVER

MATERIAL: TPE
COLOR: GRAY

PART NO	A	PACKAGE
HCX-15A	15.5	1000



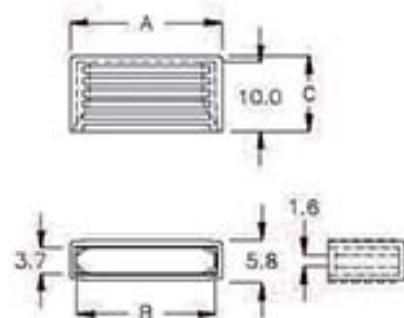
13-76-1



防塵蓋 DUST COVER

MATERIAL: PE
COLOR: YELLOW

PART NO	A	B	C	PACKAGE
HCS-22	22.0	20.0	10.9	1000



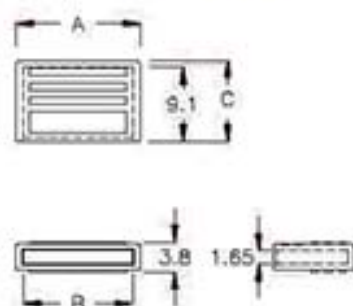
13-76-2



防塵蓋 DUST COVER

MATERIAL: PE
COLOR: NATURAL

PART NO	A	B	C	PACKAGE
HCS-15KN	15.3	13.5	10.0	1000



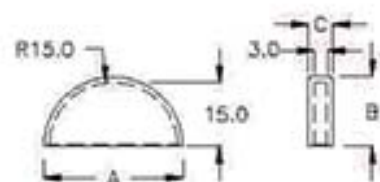
13-76-3



保護蓋 PROTECT COVER

MATERIAL: PE
COLOR: BLACK

PART NO	A	B	C	PACKAGE
HDT-30	32.6	16.3	5.6	200



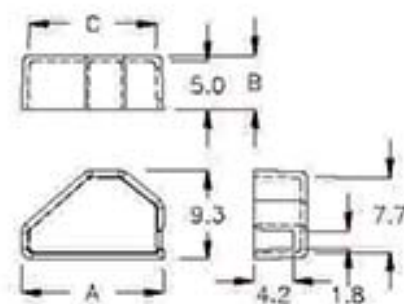
13-76-4



保護罩 INSULATION CAP

MATERIAL: NYLON 66(UL)
FLAME CLASS: 94V-0
COLOR: BLACK

PART NO	A	B	C	PACKAGE
HDQ-5C	14.8	5.6	13.3	1000



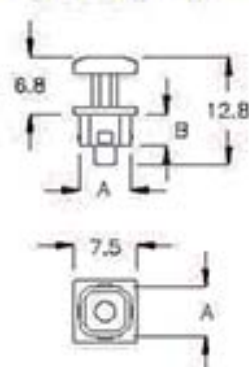
13-77-1



光纖插頭蓋 TRANSPORTER COVER

MATERIAL: NYLON 66(UL)
FLAME CLASS: 94V-2
COLOR: BLACK

PART NO.	A	B	PACKAGE
HF-01	6.0	3.8	500



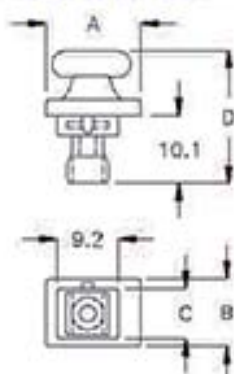
13-77-2



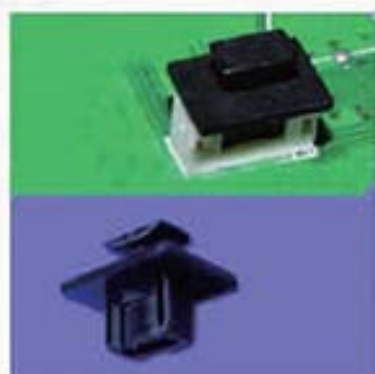
光纖插頭蓋 TRANSPORTER COVER

MATERIAL: TPE
COLOR: BLACK

PART NO.	A	B	C	D	PACKAGE
HFK-01	14.1	10.0	7.5	19.8	500



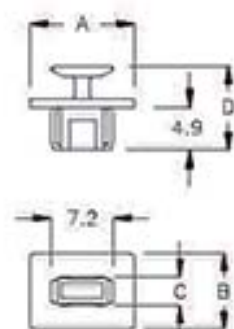
13-77-3



插頭蓋 COVER

MATERIAL: NYLON 66(UL)
FLAME CLASS: 94V-2
COLOR: BLACK

PART NO.	A	B	C	D	PACKAGE
HCK-7A	12.0	8.6	3.3	9.6	500



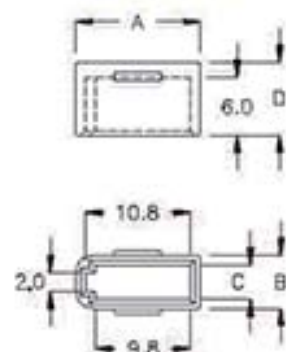
13-77-4



插頭蓋 SATA DUST COVER

MATERIAL: PE
COLOR: NATURAL

PART NO.	A	B	C	D	PACKAGE
HTA-10A	12.8	5.5	3.4	7.6	1000



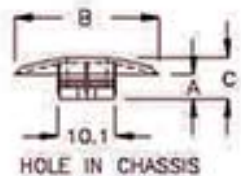
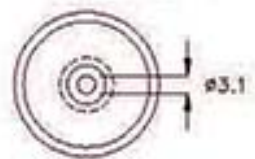
13-78-1



固定座 MOUNT

MATERIAL: NYLON 66(UL)
FLAME CLASS: 94V-2
COLOR: BLACK

PART NO	A	ΦB	C	PACKAGE
PEB-01	4.3	25.3	7.3	1000



HOLE IN CHASSIS

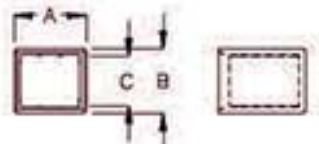
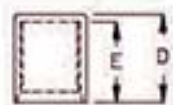
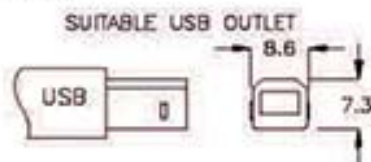
13-78-2



USB插頭蓋 USB COVER

MATERIAL: PP
COLOR: NATURAL

PART NO	A	B	C	D	E	PACKAGE
USB-01	10.6	9.5	7.35	13.0	12.0	1000



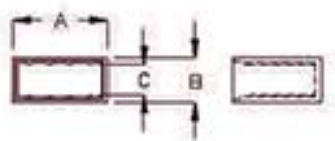
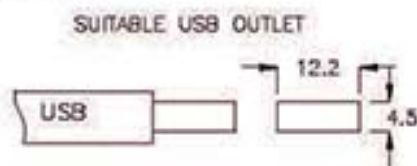
13-78-3



USB插頭蓋 USB COVER

MATERIAL: PP
COLOR: NATURAL

PART NO	A	B	C	D	E	PACKAGE
USB-02	14.15	6.8	4.55	13.2	12.2	1000



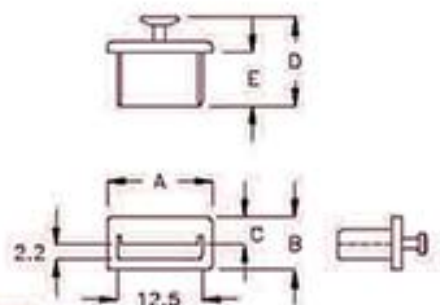
13-78-4



USB插頭蓋 USB COVER

MATERIAL: PP
COLOR: BLACK

PART NO	A	B	C	D	E	PACKAGE
USB-03	15.5	7.8	4.1	13.2	8.0	1000



13-79-1

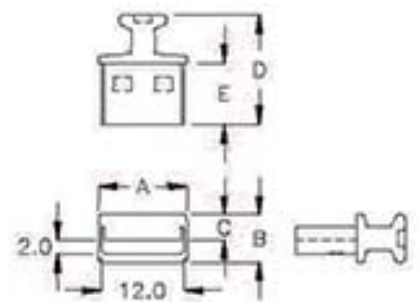


USB插頭蓋 USB COVER

MATERIAL: ABS(UL)
FLAME CLASS: 94HB
COLOR: BLACK



PART NO.	A	B	C	D	E	PACKAGE
★ USB-3GJ	13.0	7.0	3.75	16.2	9.0	1000



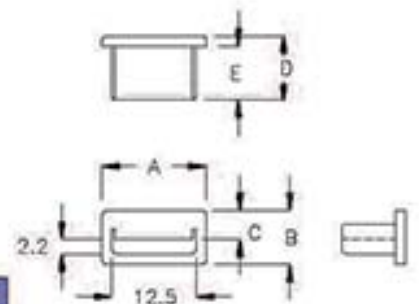
13-79-2



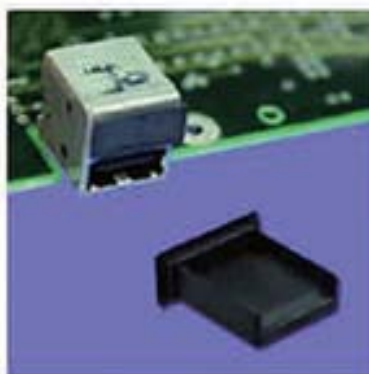
USB插頭蓋 USB COVER

MATERIAL: PP
COLOR: NATURAL, BLACK

PART NO.	A	B	C	D	E	PACKAGE
USB-3A	15.5	7.8	4.1	9.5	8.0	500



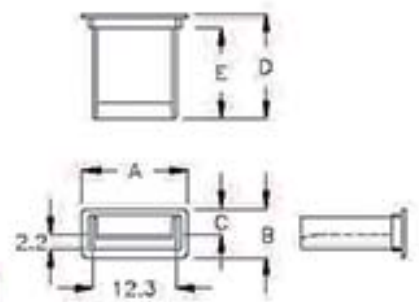
13-79-3



USB插頭蓋 USB COVER

MATERIAL: PP
COLOR: NATURAL, BLACK

PART NO.	A	B	C	D	E	PACKAGE
USB-3FX	15.8	7.2	3.85	15.5	13.5	500



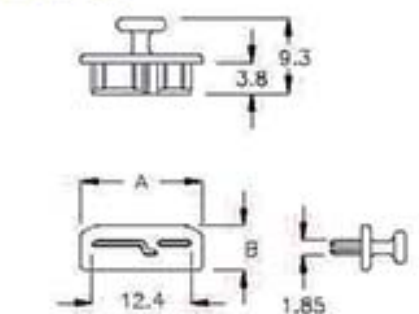
13-79-4



USB 3.0插頭蓋 MICRO USB 3.0 COVER

MATERIAL: NYLON 66(UL)
FLAME CLASS: 94V-2
COLOR: NATURAL, BLACK

PART NO.	A	B	PACKAGE
USB-3HQ	15.0	5.5	500

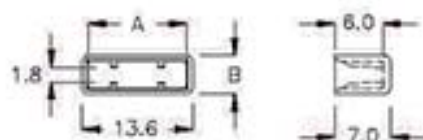
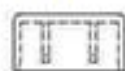


13-80-1



USB 3.0插頭蓋 MICRO USB 3.0 COVER

MATERIAL: NYLON 66(UL)
FLAME CLASS: 94V-2
COLOR: NATURAL



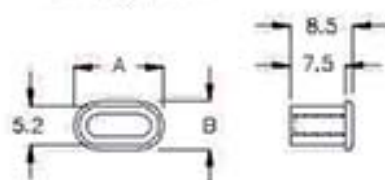
PART NO	A	B	PACKAGE
USB-3RT	12.1	4.8	500

13-80-2



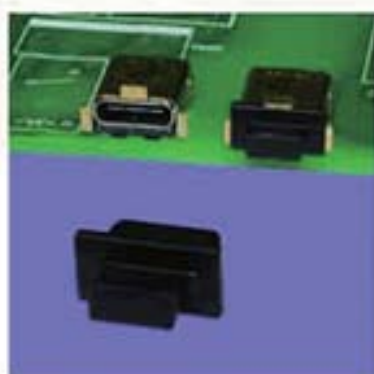
TYPE-C插頭蓋 TYPE-C COVER

MATERIAL: NYLON 66(UL)
FLAME CLASS: 94V-2
COLOR: NATURAL



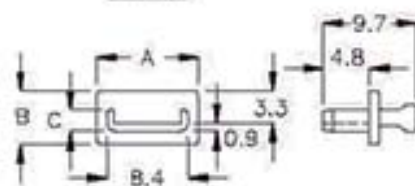
PART NO	A	B	PACKAGE
USB-3WP	12.0	6.4	500

13-80-3



TYPE-C插頭蓋 TYPE-C COVER

MATERIAL: PE
COLOR: BLACK



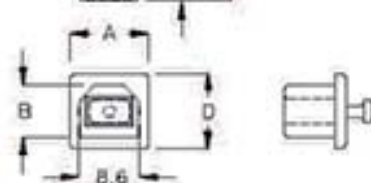
PART NO	A	B	C	PACKAGE
USB-3GT	10.5	5.5	2.3	2000

13-80-4



USB1394插頭蓋 USB COVER

MATERIAL: NYLON 66(UL)
FLAME CLASS: 94V-2
COLOR: BLACK



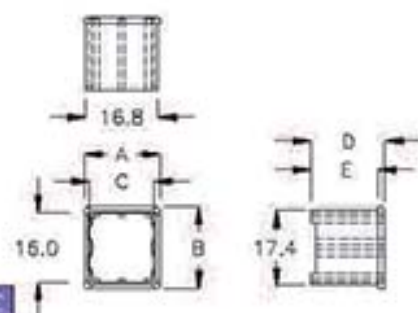
PART NO	A	B	D	E	F	PACKAGE
USB-04	11.0	7.3	10.3	7.0	12.2	1000

13-81-1



USB插頭蓋 USB COVER

MATERIAL: ABS(UL)
FLAME CLASS: 94V-0
COLOR: BLACK



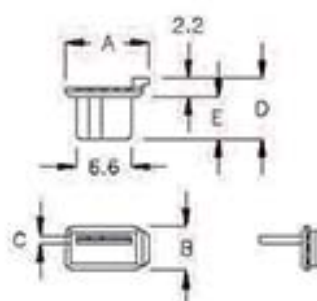
PART NO	A	B	C	D	E	PACKAGE
USB-05	17.8	19.0	15.0	17.0	15.5	500

13-81-2



MINI USB插頭蓋 USB COVER

MATERIAL: PE
COLOR: BLACK



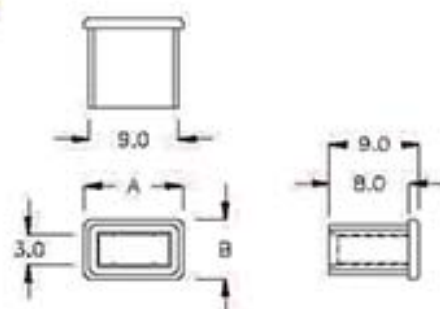
PART NO	A	B	C	D	E	PACKAGE
USB-06	9.5	4.8	1.0	7.2	5.0	1000

13-81-3



MINI USB插頭蓋 USB COVER

MATERIAL: NYLON 66(UL)
FLAME CLASS: 94V-2
COLOR: NATURAL, BLACK



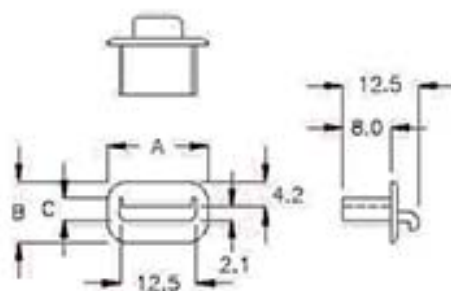
PART NO	A	B	PACKAGE
USB-9MT	10.0	6.0	1000

13-81-4



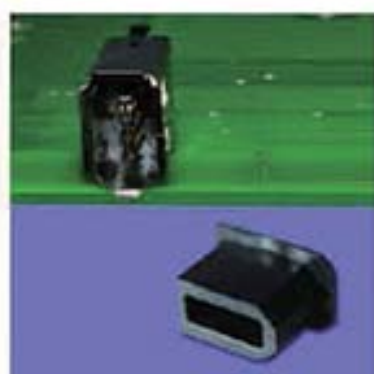
USB插頭蓋 USB COVER

MATERIAL: PP
COLOR: BLACK



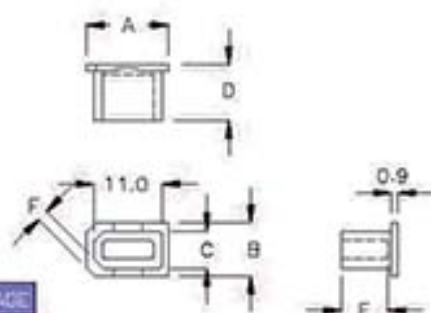
PART NO	A	B	C	PACKAGE
USB-07	16.5	10.0	3.7	2000

13-82-1



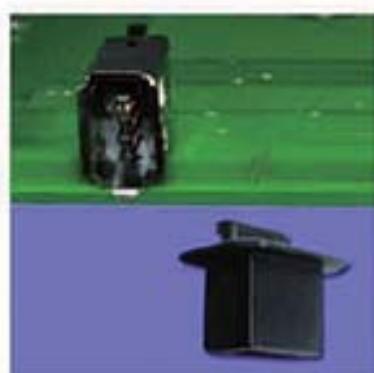
USB1394保護蓋 USB COVER

MATERIAL: PE
COLOR: BLACK



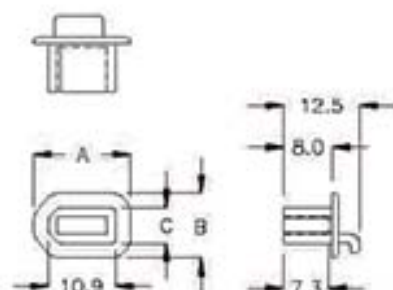
PART NO	A	B	C	D	E	F	PACKAGE
USF-01	13.2	8.5	6.0	8.9	7.3	1.8	2000
USF-02	13.2	8.5	6.0	8.9	7.3	1.0	

13-82-2



USB1394保護蓋 USB COVER

MATERIAL: PP
COLOR: BLACK



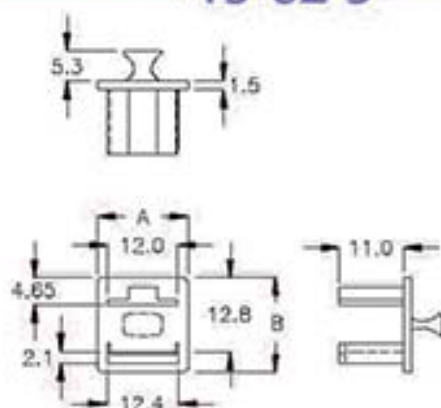
PART NO	A	B	C	PACKAGE
USF-03	16.0	10.8	6.0	2000

13-82-3



USB保護蓋 USB COVER

MATERIAL: NYLON 66(UL)
FLAME CLASS: 94V-2
COLOR: BLACK



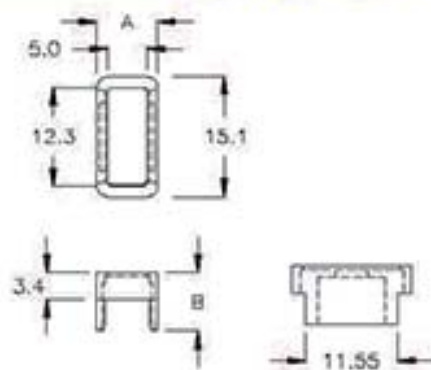
PART NO	A	B	PACKAGE
USJ-2JM	15.6	16.3	500

13-82-4



USB保護蓋 USB COVER

MATERIAL: PP
COLOR: BLACK



PART NO	A	B	PACKAGE
USQ-15C	7.7	7.4	500

13-83-1

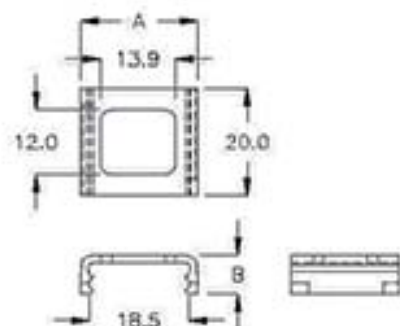


保護蓋 GPS COVER

MATERIAL: NYLON 66(UL)
FLAME CLASS: 94V-0
COLOR: NATURAL



PART NO	A	B	PACKAGE
LHZ-21K	21.5	7.17	500



13-83-2

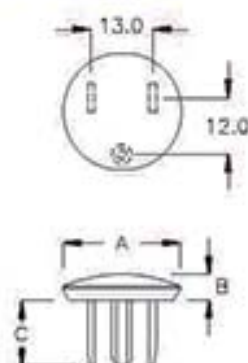


電源插座保護蓋 SOCKET COVER

MATERIAL: ABS(UL)
FLAME CLASS: 94V-0
COLOR: NATURAL



PART NO	A	B	C	PACKAGE
HDB-01	∅25.0	5.5	14.0	200



13-83-3

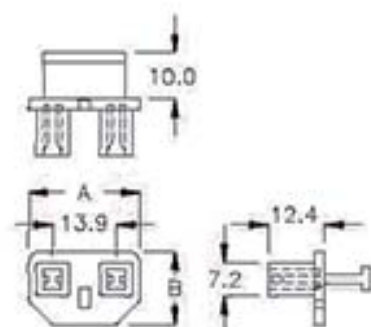


電源插座防塵蓋 DUST COVER

MATERIAL: TPE(UL)
FLAME CLASS: 94V-0
COLOR: BLACK



PART NO	A	B	PACKAGE
HDY-16A	24.3	16.0	500



13-83-4

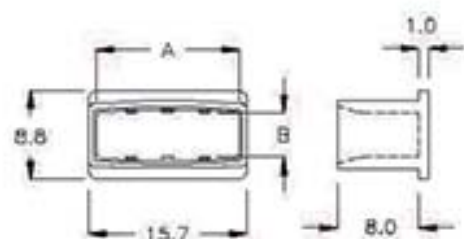


HDMI插頭蓋 HDMI COVER

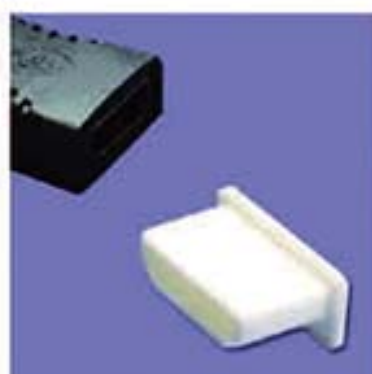
MATERIAL: NYLON 66(UL)
FLAME CLASS: 94V-2
COLOR: NATURAL



PART NO	A	B	PACKAGE
DMI-01	14.2	4.2	500

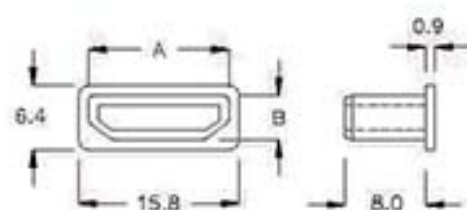


13-84-1



HDMI插頭蓋 HDMI COVER

MATERIAL: NYLON 66(UL)
FLAME CLASS: 94V-2
COLOR: NATURAL



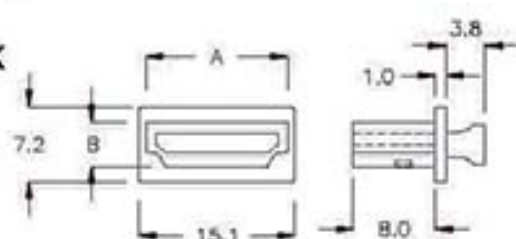
PART NO	A	B	PACKAGE
DMI-02	13.8	4.4	1000

13-84-2



HDMI插頭蓋 HDMI COVER

MATERIAL: PE
COLOR: NATURAL, BLACK



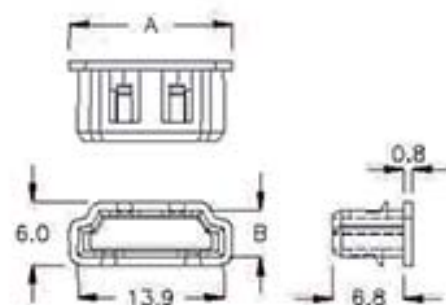
PART NO	A	B	PACKAGE
DMI-2C	13.8	4.4	1000

13-84-3



HDMI插頭蓋 HDMI COVER

MATERIAL: NYLON 66(UL)
FLAME CLASS: 94V-2
COLOR: BLACK



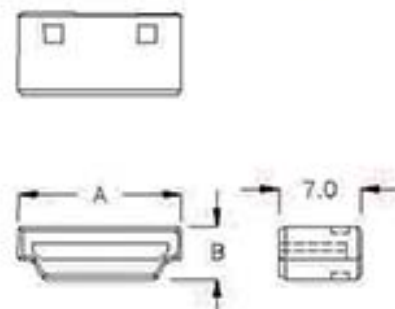
PART NO	A	B	PACKAGE
DMI-2TA	15.5	4.4	1000

13-84-4



HDMI插頭蓋 HDMI COVER

MATERIAL: PP
COLOR: BLACK

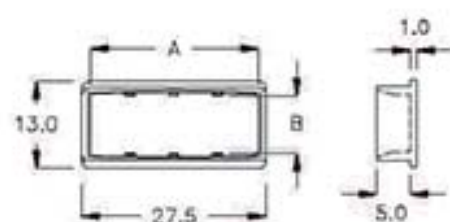


PART NO	A	B	PACKAGE
DMI-3K	13.9	4.4	1000



DVI插頭蓋 DVI COVER

MATERIAL: NYLON 66(UL)
FLAME CLASS: 94V-2
COLOR: NATURAL

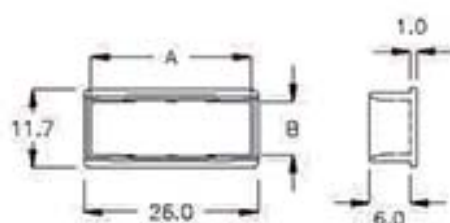


PART NO	A	B	PACKAGE
DVI-01	25.1	8.5	500



DVI插頭蓋 DVI COVER

MATERIAL: NYLON 66(UL)
FLAME CLASS: 94V-2
COLOR: NATURAL

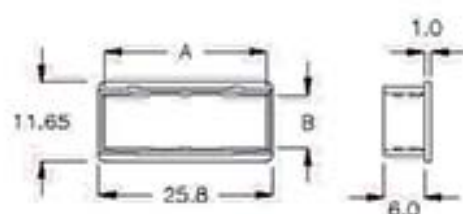


PART NO	A	B	PACKAGE
DVI-02	23.9	8.0	500

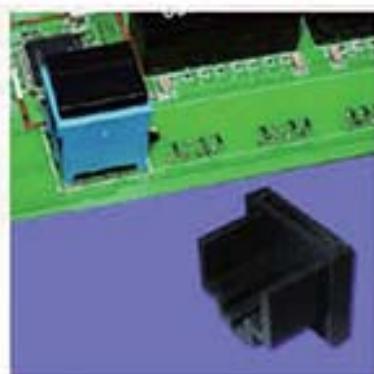


DVI插頭蓋 DVI COVER

MATERIAL: NYLON 66(UL)
FLAME CLASS: 94V-2
COLOR: NATURAL

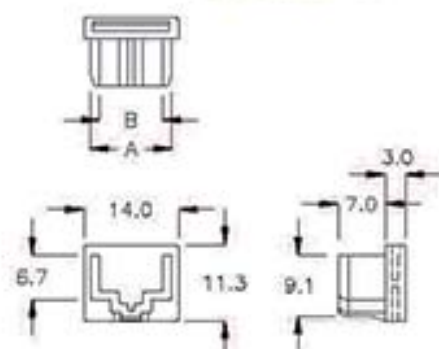


PART NO	A	B	PACKAGE
DVI-2WT	23.8	7.8	500



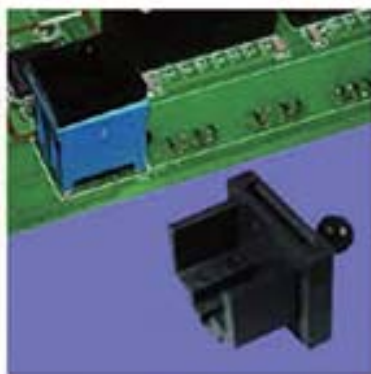
RJ45插頭蓋 RJ45 COVER

MATERIAL: NYLON 66(UL)
FLAME CLASS: 94V-2
COLOR: BLACK



PART NO	A	B	PACKAGE
NET-10H	11.9	9.4	500

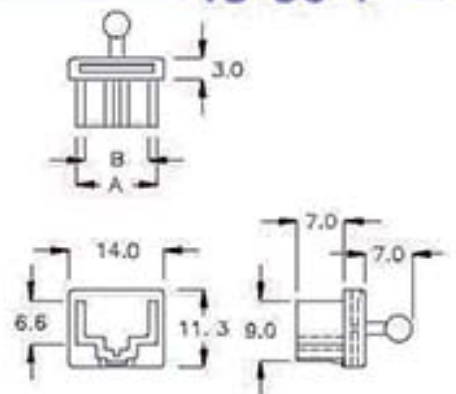
13-86-1



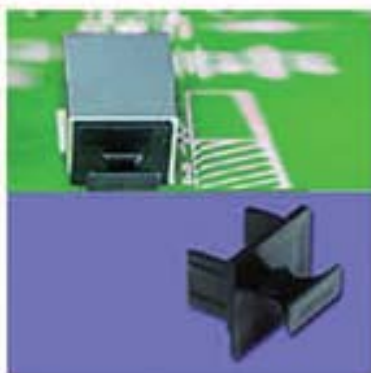
RJ45插頭蓋 RJ45 COVER

MATERIAL: PP
COLOR: BLACK

PART NO	A	B	PACKAGE
NEX-01	11.9	9.4	500



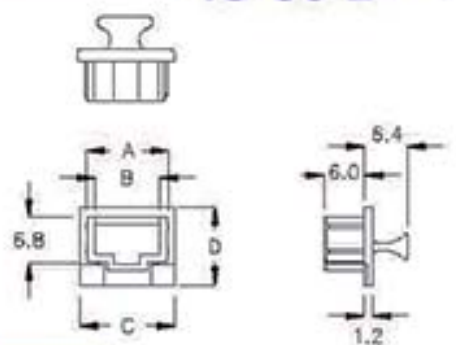
13-86-2



RJ45插頭蓋 RJ45 COVER

MATERIAL: NYLON 66(UL)
FLAME CLASS: 94V-2
MATERIAL: TPE
FLAME CLASS: 94V-0
COLOR: BLACK

PART NO	A	B	C	D	MATERIAL	PACKAGE
NEX-02	12.1	9.5	14.1	11.6	N66	500
NEX-3K	11.9	9.0	17.6	13.25	N66	
NEX-4KJ	12.0	9.5	13.5	11.6	TPE	



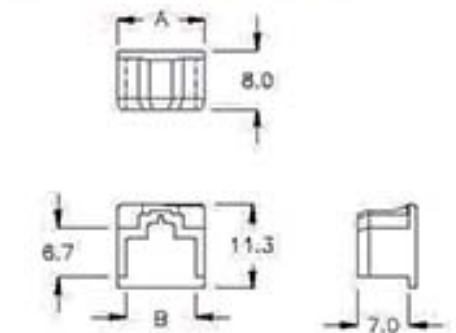
13-86-3



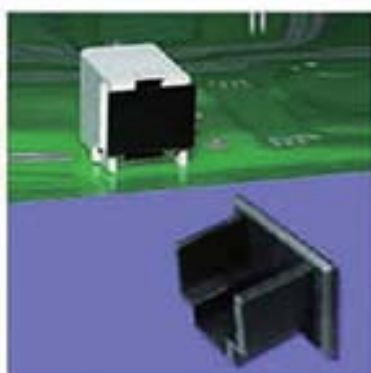
RJ45插頭蓋 RJ45 COVER

MATERIAL: NYLON 66(UL)
FLAME CLASS: 94V-2
COLOR: BLACK

PART NO	A	B	PACKAGE
NET-2FM	12.0	9.4	500



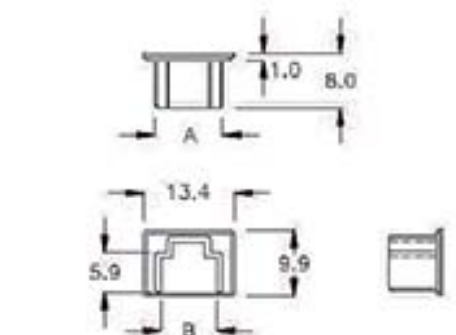
13-86-4



RJ12插頭蓋 RJ12 COVER

MATERIAL: PP
COLOR: BLACK, NATURAL

PART NO	A	B	PACKAGE
NET-02	10.0	8.2	500



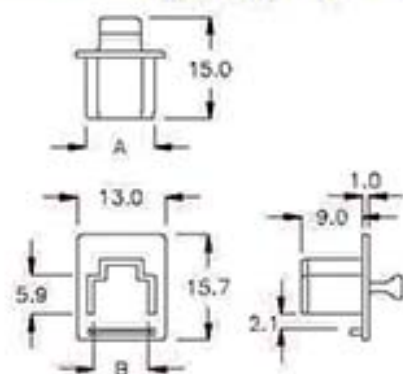
PINGOOD

13-87-1

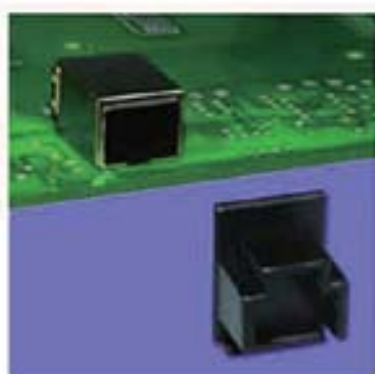


RJ12插頭蓋 RJ12 COVER
 MATERIAL: NYLON 66(UL)
 FLAME CLASS: 94V-2
 COLOR: BLACK

PART NO.	A	B	PACKAGE
NET-2HK	10.0	8.0	500

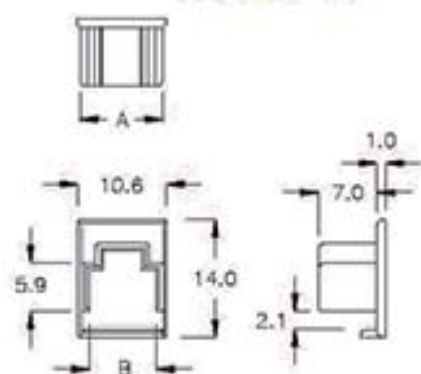


13-87-2



RJ12插頭蓋 RJ12 COVER
 MATERIAL: PP
 COLOR: BLACK

PART NO.	A	B	PACKAGE
NET-02A	9.8	8.0	500

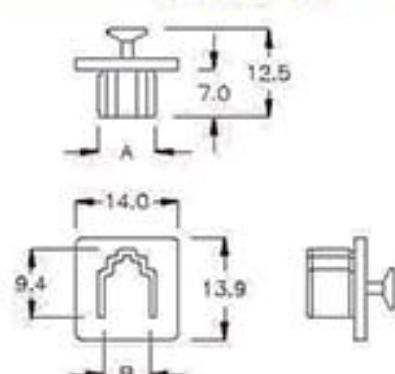


13-87-3



RJ11防塵蓋 RJ11 COVER
 MATERIAL: NYLON 66(UL)
 FLAME CLASS: 94V-2
 COLOR: BLACK

PART NO.	A	B	PACKAGE
RJ-12	7.75	6.2	1000

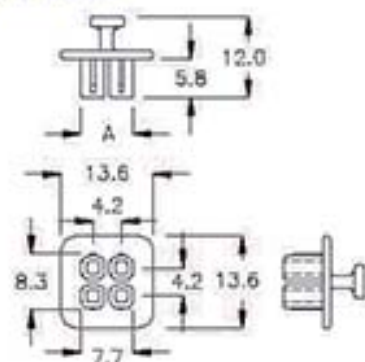


13-87-4



電源連接座插頭蓋 CONNECTOR COVER
 MATERIAL: NYLON 66(UL)
 FLAME CLASS: 94V-2
 COLOR: BLACK

PART NO.	A	PACKAGE
NES-4A	7.7	500



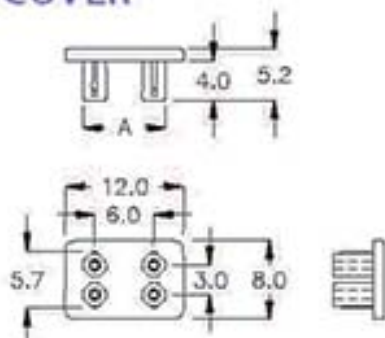
13-88-1



電源連接座插頭蓋 CONNECTOR COVER

MATERIAL: NYLON 66(UL)
FLAME CLASS: 94V-2
COLOR: BLACK

PART NO	A	PACKAGE
NEA-12J	8.35	500



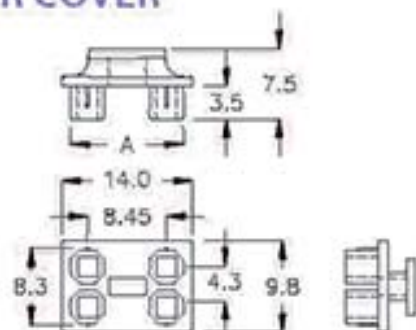
13-88-2



電源連接座插頭蓋 CONNECTOR COVER

MATERIAL: PP
COLOR: BLACK

PART NO	A	PACKAGE
NES-14A	12.04	500



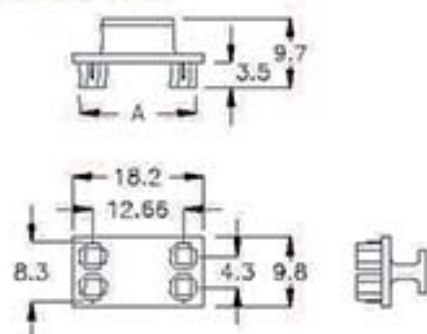
13-88-3



電源連接座插頭蓋 CONNECTOR COVER

MATERIAL: NYLON 66(UL)
FLAME CLASS: 94V-2
COLOR: BLACK

PART NO	A	PACKAGE
NES-18C	16.3	500



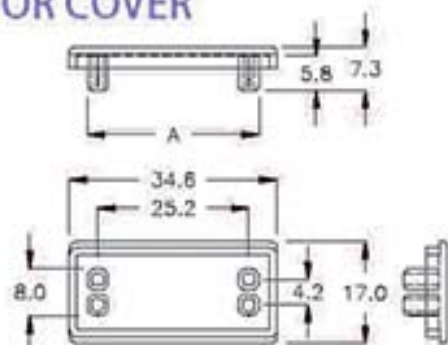
13-88-4



電源連接座插頭蓋 CONNECTOR COVER

MATERIAL: NYLON 66(UL)
FLAME CLASS: 94V-2
COLOR: NATURAL

PART NO	A	PACKAGE
NEO-34K	28.7	500



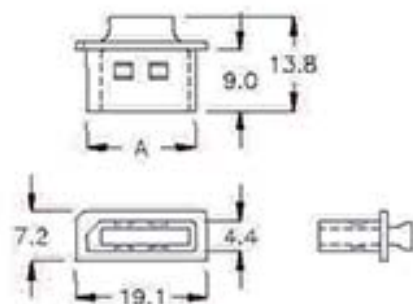
13-89-1



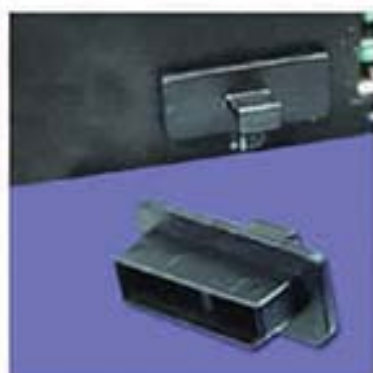
DP 防塵蓋 DP COVER

MATERIAL: PE
COLOR: NATURAL

PART NO	A	PACKAGE
DP-2KT	15.9	1000



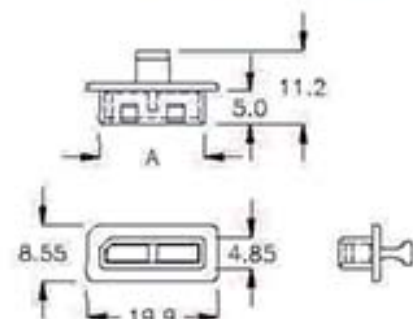
13-89-2



DP 防塵蓋 DP COVER

MATERIAL: NYLON 66(UL)
FLAME CLASS: 94V-2
COLOR: BLACK

PART NO	A	PACKAGE
DP-01	15.9	1000



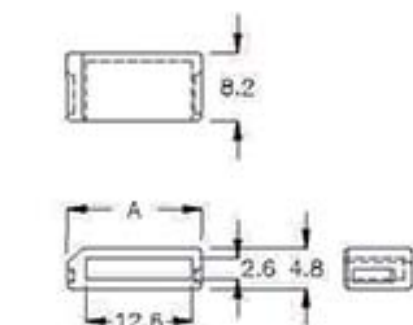
13-89-3



DP 防塵蓋 DP COVER

MATERIAL: PP
COLOR: BLACK

PART NO	A	PACKAGE
DP-3F	16.0	1000



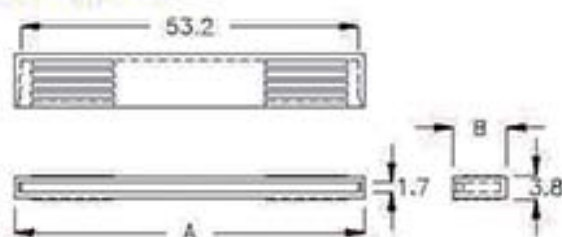
13-89-4



PCIE防塵蓋 PCI EXPRESS COVER

MATERIAL: PE
COLOR: BLACK

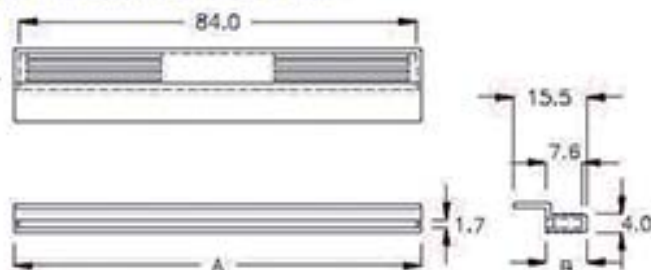
PART NO	A	B	PACKAGE
HCS-55FN	55.4	6.6	500





PCIE防塵蓋 PCI EXPRESSx16 COVER

MATERIAL: PE
COLOR: NATURAL

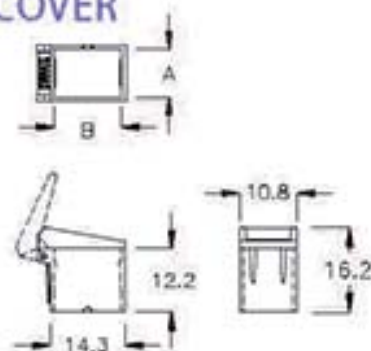


PART NO	A	B	PACKAGE
HCS-86FD	85.0	8.5	200



SC型光纖蓋組合 OPTICAL FIBER COVER

MATERIAL: NYLON 66(UL)
FLAME CLASS: 94V-0
COLOR: GREEN

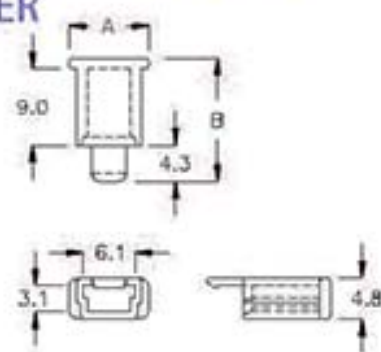


PART NO	A	B	PACKAGE
FJB-13-NOH	9.4	12.9	500

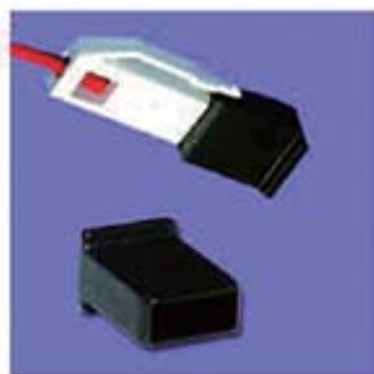


光纖保護蓋 OPTICAL FIBER COVER

MATERIAL: NYLON 66(UL)
FLAME CLASS: 94V-2
COLOR: NATURAL

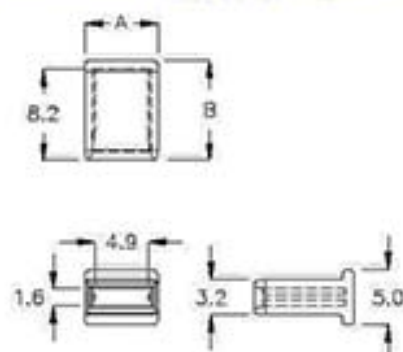


PART NO	A	B	PACKAGE
MNA-11C	9.5	14.6	2000



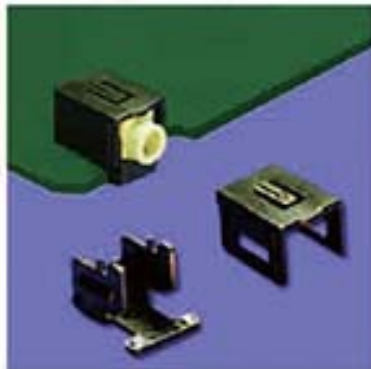
防塵蓋 DUST COVER

MATERIAL: NYLON 66(UL)
FLAME CLASS: 94V-2
COLOR: BLACK

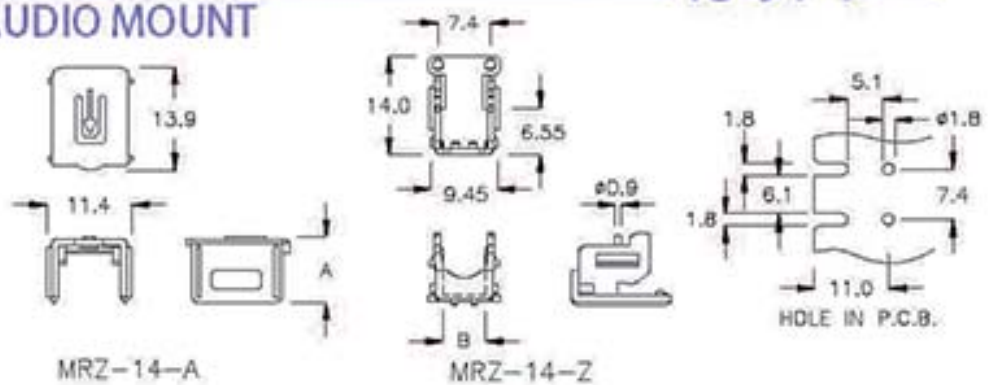


PART NO	A	B	PACKAGE
MNW-9A	6.6	9.0	1000

音頻插座固定座 $\phi 3.5$ AUDIO MOUNT

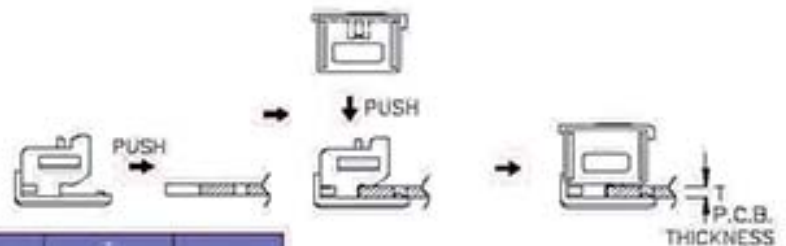


MATERIAL: NYLON 66(UL)
FLAME CLASS: 94V-0
COLOR: BLACK



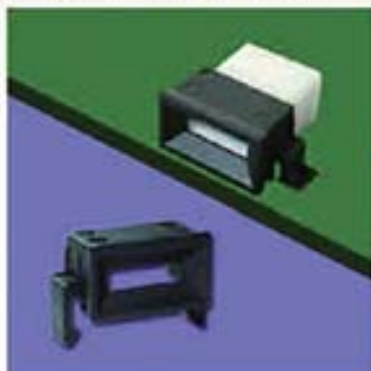
MRZ-14-A

MRZ-14-Z



PART NO	A	B	T P.C.B. THICKNESS	PACKAGE
MRZ-14	8.6	6.0	1.65	1000

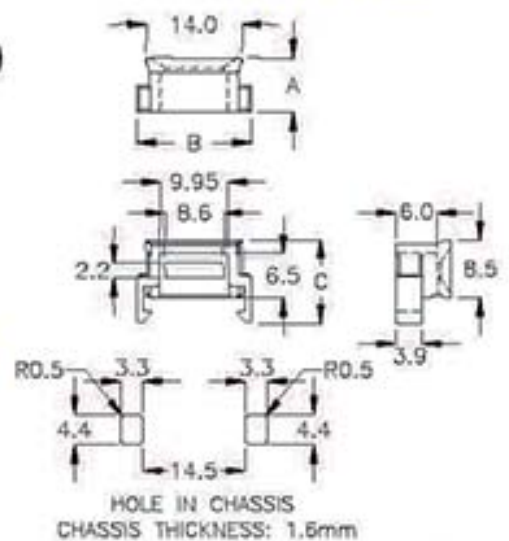
固定座 HOLDER



MATERIAL: NYLON 66(UL)
FLAME CLASS: 94V-0
COLOR: BLACK

NEW

PART NO	A	B	C	PACKAGE
★ MJQB-1BAT	8.0	16.7	12.2	500

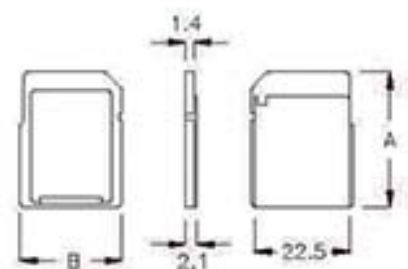


SD卡保護座 SD CARD SOCKET COVER



MATERIAL: ABS(UL)
COLOR: BLACK

PART NO	A	B	PACKAGE
SDH-01	32.0	24.0	500

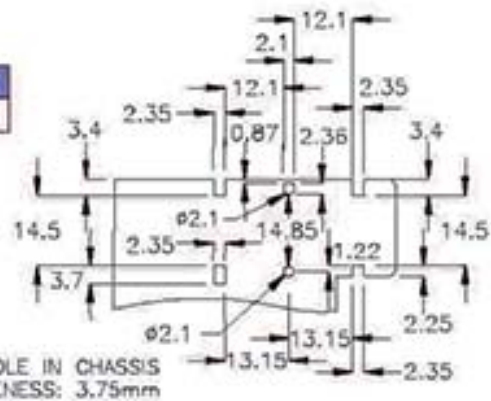
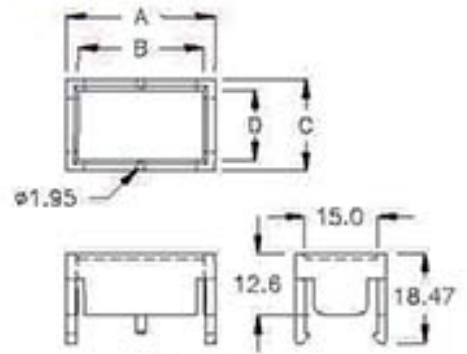




連接器固定座 CONNECTOR MOUNT

MATERIAL: NYLON 66(UL)
FLAME CLASS: 94V-2
COLOR: BLACK

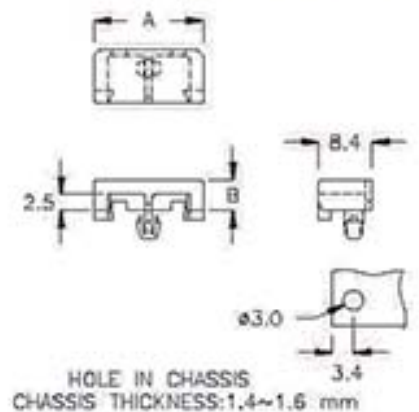
PART NO	A	B	C	D	PACKAGE
MNK-30YM	30.6	25.8	18.9	14.4	200



固定座 MOUNT

MATERIAL: NYLON 66(UL)
FLAME CLASS: 94V-2
COLOR: BLACK

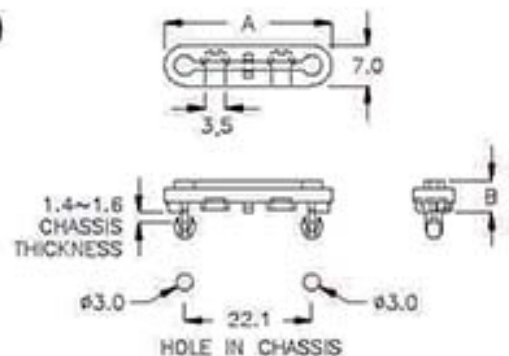
PART NO	A	B	PACKAGE
MRQ-14M	17.3	4.8	1000



固定座 MOUNT

MATERIAL: NYLON 66(UL)
FLAME CLASS: 94V-2
COLOR: BLACK

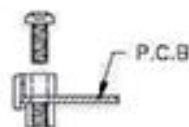
PART NO	A	B	PACKAGE
MRQ-29	29.1	5.6	1000



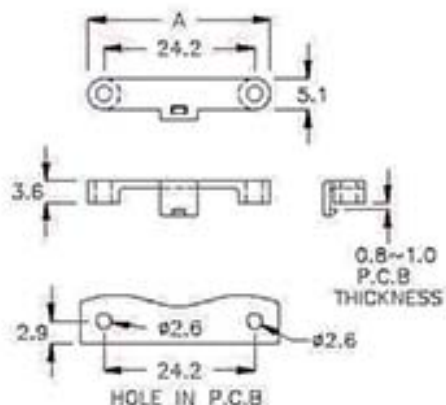


網通卡固定座 MOUNT

MATERIAL: NYLON 66(UL)
 FLAME CLASS: 94V-2
 COLOR: NATURAL
 USE SCREW: M2.5

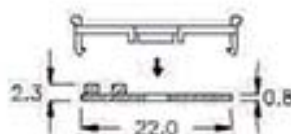


PART NO	A	PACKAGE
MRR-29	29.3	2000

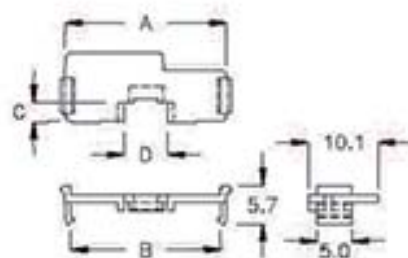


M.2卡固定座 MOUNT

MATERIAL: NYLON 66(UL)
 FLAME CLASS: 94V-2
 COLOR: NATURAL

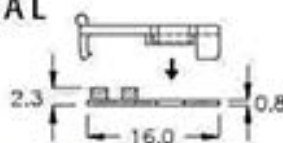


PART NO	A	B	C	D	PACKAGE
MRH-23FC	23.4	21.9	3.4	6.4	2000
MRH-23AC	23.6	21.8	2.4	6.4	
MRH-23TG	23.6	21.9	2.4	5.0	
MRH-23SK	23.6	21.9	3.4	6.4	

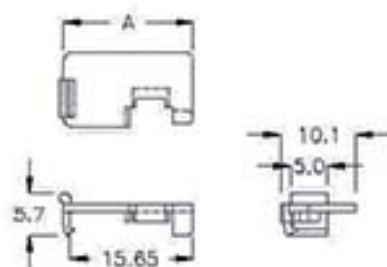


M.2卡固定座 MOUNT

MATERIAL: NYLON 66(UL)
 FLAME CLASS: 94V-2
 COLOR: NATURAL



PART NO	A	PACKAGE
MRX-16D	17.5	2000

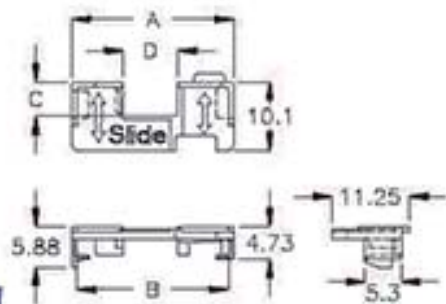


13-94-1



M.2卡固定座 MOUNT

MATERIAL: NYLON 66(UL)
FLAME CLASS: 94V-2
COLOR: NATURAL



PART NO	A	B	C	D	PACKAGE
★ MRY-23CL	23.6	22.05	5.05	8.0	2000

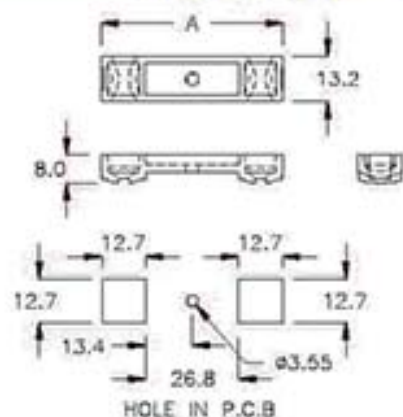
13-94-2



固定座 MOUNT

MATERIAL: NYLON 66(UL)
FLAME CLASS: 94V-2
COLOR: BLACK

PART NO	A	PACKAGE
CGR-52A	52.7	200



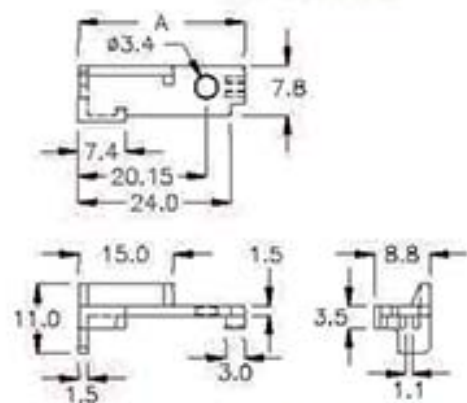
13-94-3



固定座 MOUNT

MATERIAL: ABS(UL)
FLAME CLASS: 94HB
COLOR: BLACK

PART NO	A	PACKAGE
MJGP-26K	26.15	200



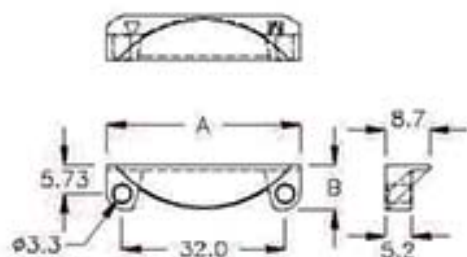
13-94-4



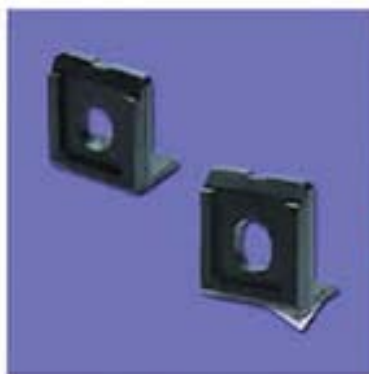
固定座 HOUSING

MATERIAL: ABS+PC(UL)
FLAME CLASS: 94V-0
COLOR: BLACK

PART NO	A	B	PACKAGE
MLW-38HC	38.0	9.0	200



13-95-1

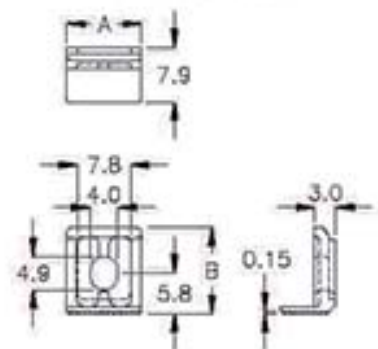


固定座 MOUNT

MATERIAL: PC(UL)
FLAME CLASS: 94V-2
COLOR: BLACK
ADHESIVE TAPE: 3M



PART NO	A	B	PACKAGE
★ UAC-12B	11.0	12.55	500



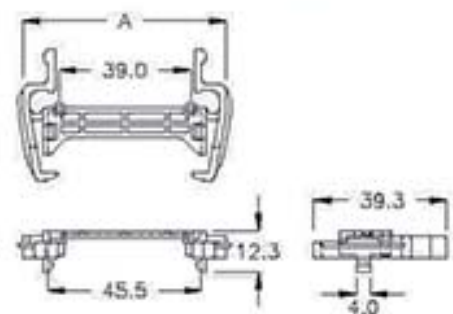
13-95-2



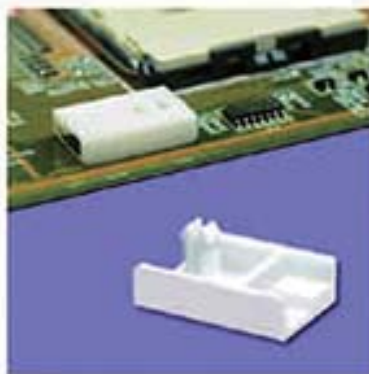
SATA固定扣 NIFLATCH

MATERIAL: NYLON 66(UL)
FLAME CLASS: 94V-0
COLOR: BLACK

PART NO	A	PACKAGE
HPM-56A	60.2	200



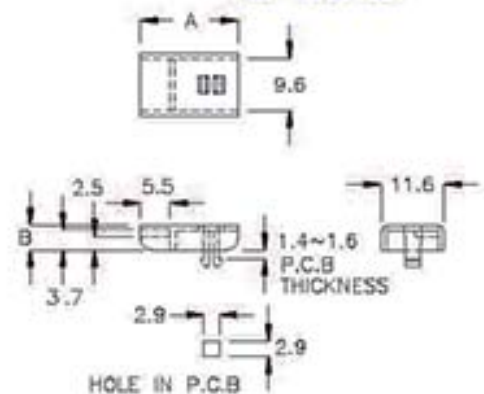
13-95-3



固定座 MOUNT

MATERIAL: NYLON 66(UL)
FLAME CLASS: 94V-2
COLOR: NATURAL

PART NO	A	B	PACKAGE
MMF-01	18.0	4.5	1000



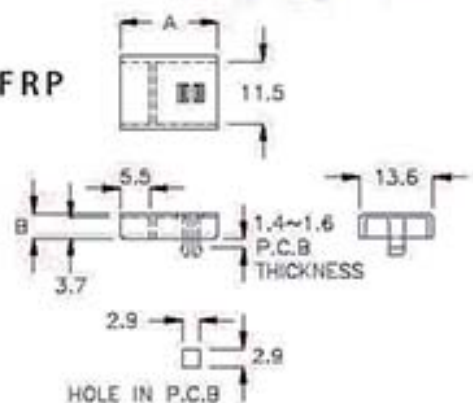
13-95-4



固定座 MOUNT

MATERIAL: NYLON 66+30%FRP
FLAME CLASS: 94V-0
COLOR: BLACK

PART NO	A	B	PACKAGE
MMF-1K	18.0	4.5	1000



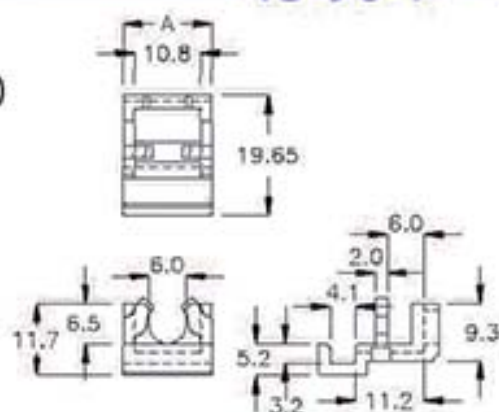
13-96-1



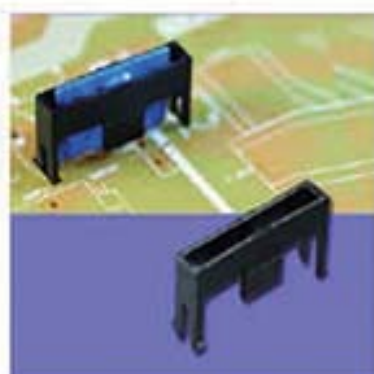
固定座 MOUNT

MATERIAL: NYLON 66(UL)
FLAME CLASS: 94V-2
COLOR: BLACK

PART NO	A	PACKAGE
MMFA-20T	14.4	1000



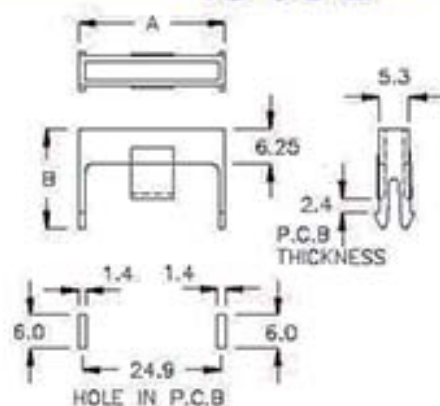
13-96-2



固定座 MOUNT

MATERIAL: NYLON 66(UL)
FLAME CLASS: 94V-2
COLOR: BLACK

PART NO	A	B	PACKAGE
MGL-26A	26.1	17.7	500



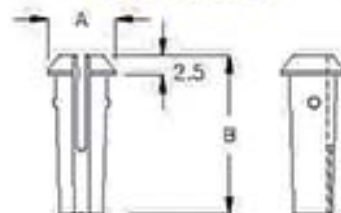
13-96-3



固定座 MOUNT

MATERIAL: ABS+PC(UL)
FLAME CLASS: 94V-0
COLOR: BLACK

PART NO	A	B	PACKAGE
MMS-20	8.4	20.0	1000



HOLE IN CHASSIS: $\phi 6.0$
CHASSIS THICKNESS: 2.5mm

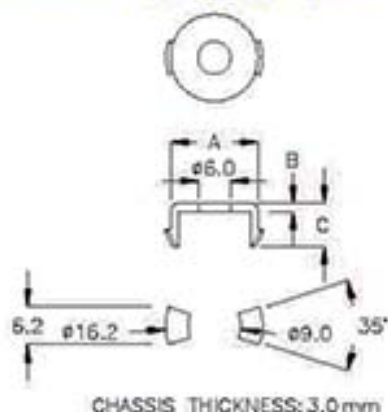
13-96-4



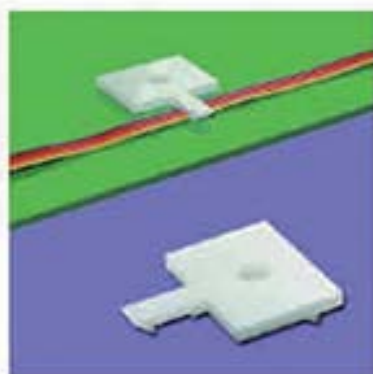
保護蓋 HOLE PROTECTOR

MATERIAL: NYLON 66(UL)
FLAME CLASS: 94V-2
COLOR: NATURAL

PART NO	A	B	C	PACKAGE
MHY-01	$\phi 16.0$	1.5	6.3	1000



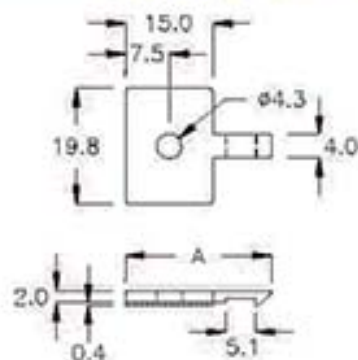
13-97-1



固定座 MOUNT

MATERIAL: ABS(UL)
FLAME CLASS: 94HB
COLOR: NATURAL
ADHESIVE TAPE: 3M

PART NO	A	PACKAGE
MZT-25	25.0	1000



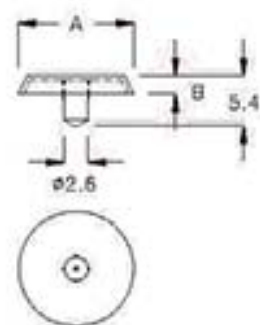
13-97-2



塞頭 HOLE PLUG

MATERIAL: NYLON 66(UL)
FLAME CLASS: 94V-2
COLOR: BLACK

PART NO	A	B	PACKAGE
P-1	12.5	2.0	1000



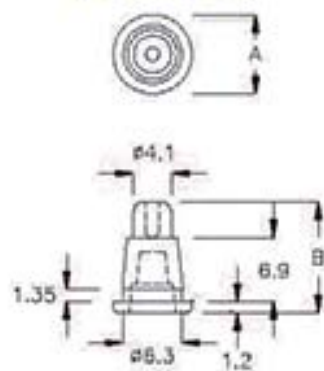
13-97-3



定位銷 PIN PLANAR LOCATOR

MATERIAL: NYLON 66(UL)
FLAME CLASS: 94V-2
COLOR: NATURAL

PART NO	A	B	PACKAGE
P-5	8.5	12.0	1000



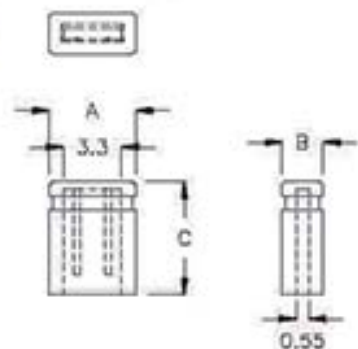
13-97-4



保護蓋 PIN HEADER PROTECTOR

MATERIAL: PBT(UL)
FLAME CLASS: 94V-0
COLOR: BLACK

PART NO	A	B	C	PACKAGE
MGX-6AK	4.95	2.35	6.5	2000

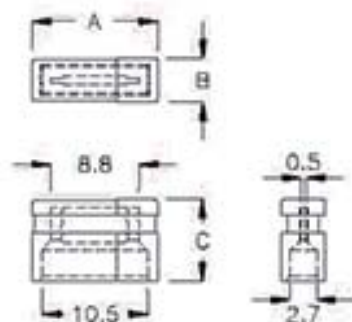




保護蓋 HOLE PROTECTOR

MATERIAL: NYLON 66(UL)
FLAME CLASS: 94V-0
COLOR: BLACK

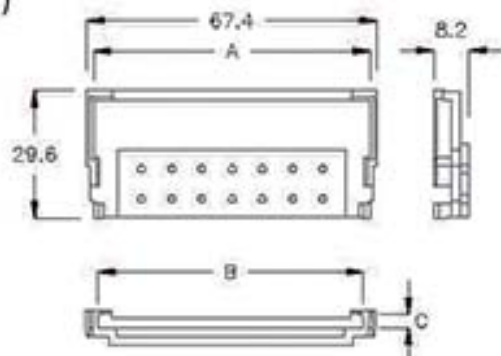
PART NO	A	B	C	PACKAGE
MGX-BMS	12.5	4.35	8.1	2000



記憶卡保護蓋 MEMORY CARD COVER

MATERIAL: NYLON 66(UL)
FLAME CLASS: 94V-2
COLOR: BLACK

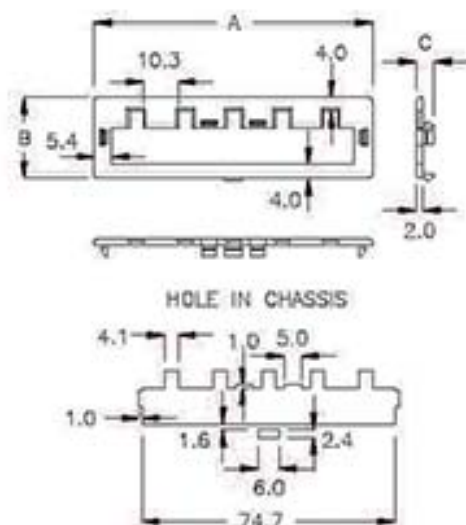
PART NO	A	B	C	PACKAGE
VFA-02	64.5	61.5	3.1	100



保護蓋 HOLE PROTECTOR

MATERIAL: NYLON 66(UL)
FLAME CLASS: 94V-2
COLOR: BLACK

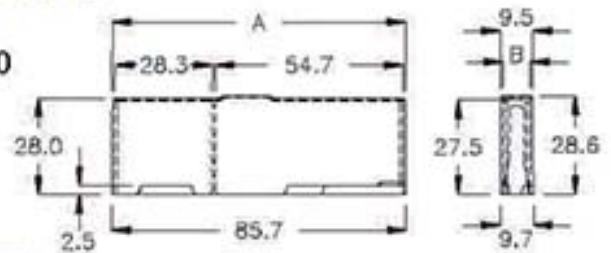
PART NO	A	B	C	PACKAGE
MPR-01	82.6	23.9	5.2	100





保護蓋 HOLE PROTECTOR

MATERIAL: PP(UL)
FLAME CLASS: 94V-0
COLOR: NATURAL

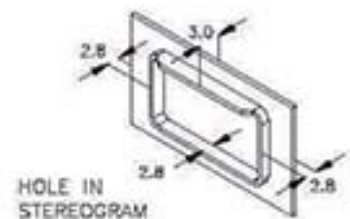
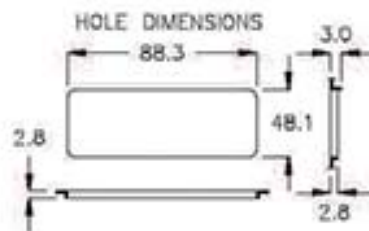
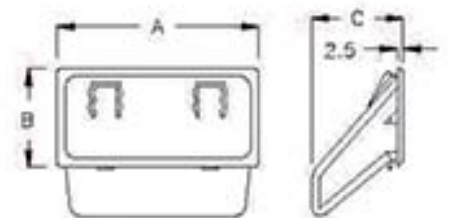


PART NO	A	B	PACKAGE
★ DXGF-85KB	85.5	7.9	100



提把 HANDLE

MATERIAL: ABS(UL)
FLAME CLASS: 94V-0
COLOR: BLACK

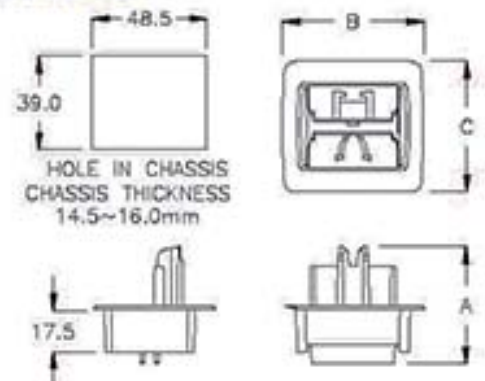


PART NO	A	B	C	PACKAGE
MKP-91	92.3	52.3	41.7	50



紙箱固定座 CARTON BOX HANDLE

MATERIAL: PP
COLOR: NATURAL



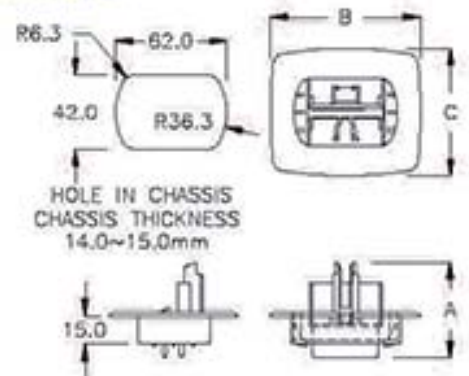
PART NO	A	B	C	PACKAGE
MKX-82A	50.0	59.0	54.0	50



紙箱固定座 CARTON BOX HANDLE

MATERIAL: PP
COLOR: NATURAL

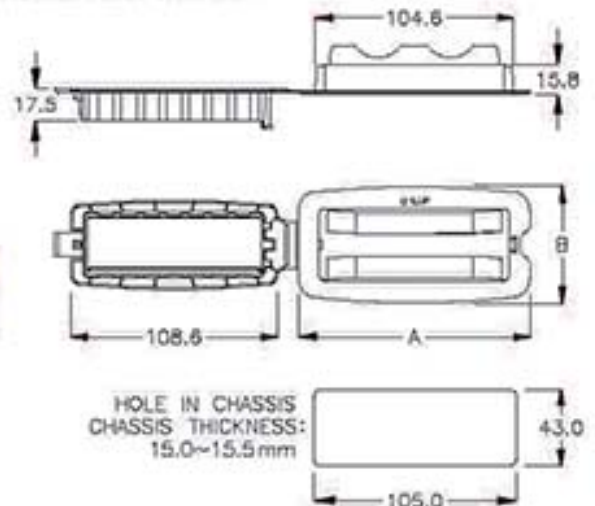
PART NO	A	B	C	PACKAGE
MKX-810Z	51.2	81.0	69.0	50



紙箱固定座 CARTON BOX HANDLE

MATERIAL: PP
COLOR: NATURAL

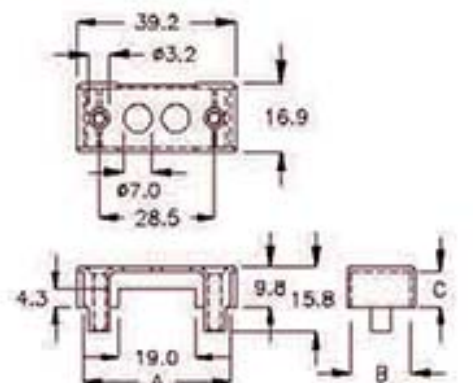
PART NO	A	B	PACKAGE
MKX-92	122.0	82.0	10



端子座保護蓋 TERMINAL COVER

MATERIAL: NYLON 66(UL)
FLAME CLASS: 94V-2
COLOR: BLACK

PART NO	A	B	C	PACKAGE
MD-39	36.2	14.9	8.8	100



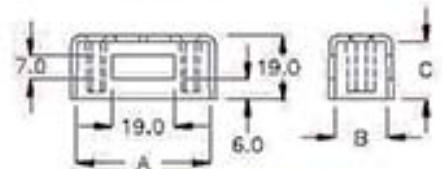
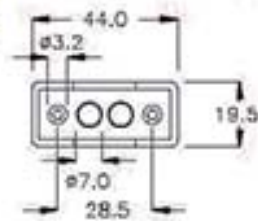
13-101-1



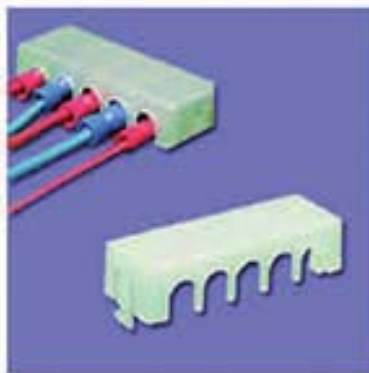
端子座保護蓋 TERMINAL COVER

MATERIAL: NYLON 66(UL)
FLAME CLASS: 94V-2
COLOR: BLACK

PART NO	A	B	C	PACKAGE
MD-44	40.4	15.9	17.2	100



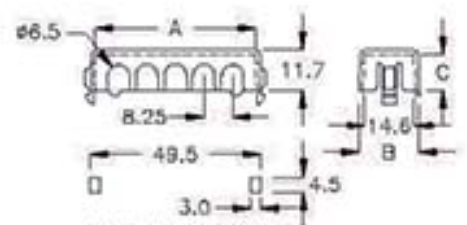
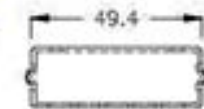
13-101-2



端子座保護蓋 TERMINAL COVER

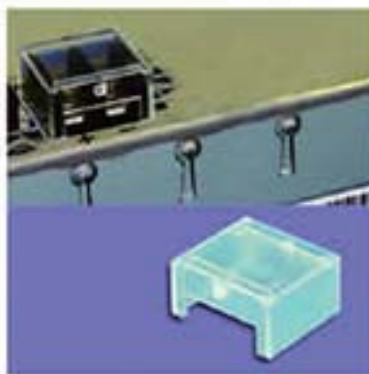
MATERIAL: PC(UL)
FLAME CLASS: 94V-0
COLOR: NATURAL

PART NO	A	B	C	PACKAGE
MDW-49A	46.6	17.4	10.5	100



HOLE IN CHASSIS
CHASSIS THICKNESS: 1.0mm

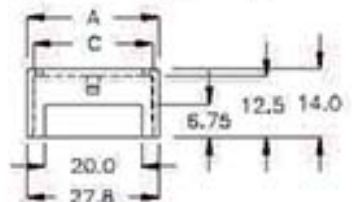
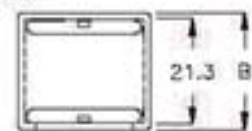
13-101-3



端子座保護蓋 DC CONNECTOR COVER

MATERIAL: PC(UL)
FLAME CLASS: 94V-2
COLOR: CLEAR

PART NO	A	B	C	PACKAGE
HDP-01	27.1	23.9	24.5	200



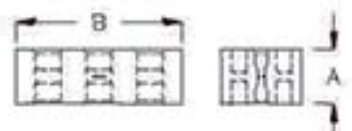
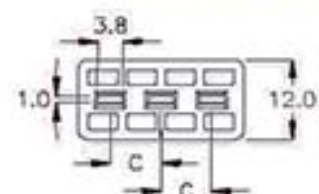
13-101-4



端子固定座 MOUNT

MATERIAL: NYLON 66(UL)
FLAME CLASS: 94V-0
COLOR: NATURAL

PART NO	A	B	C	PACKAGE
TGB-25K	8.0	25.0	7.6	500



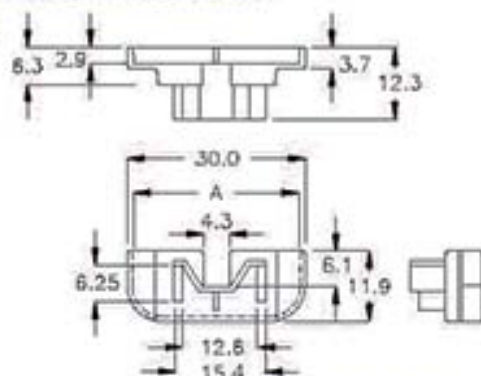
13-102-1



插頭絕緣套 SOCKET INSULATOR HOLDER

MATERIAL: NYLON 66(UL)
FLAME CLASS: 94V-2
COLOR: BLACK

PART NO	A	PACKAGE
MTY-01	28.0	200



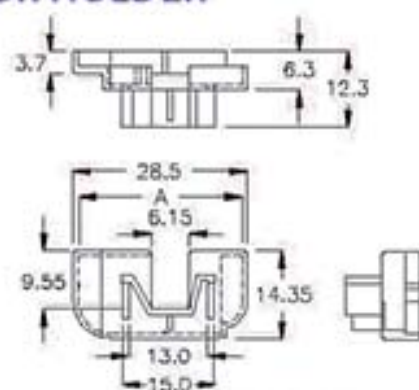
13-102-2



插頭絕緣套 SOCKET INSULATOR HOLDER

MATERIAL: NYLON 66(UL)
FLAME CLASS: 94V-2
COLOR: BLACK

PART NO	A	PACKAGE
MTY-3F	26.7	200



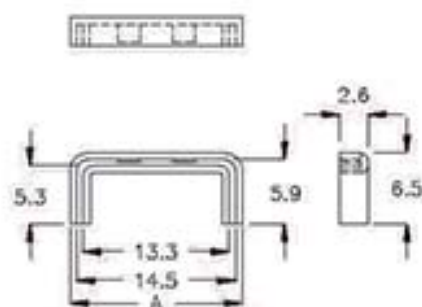
13-102-3



固定座 MOUNT

MATERIAL: NYLON 46(UL)
FLAME CLASS: 94V-0
COLOR: BLACK

PART NO	A	PACKAGE
MPG-15A	15.7	500



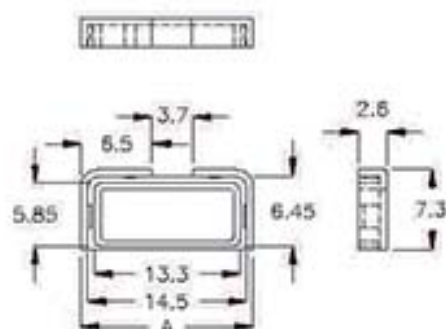
13-102-4



固定座 MOUNT

MATERIAL: NYLON 46(UL)
FLAME CLASS: 94V-0
COLOR: BLACK

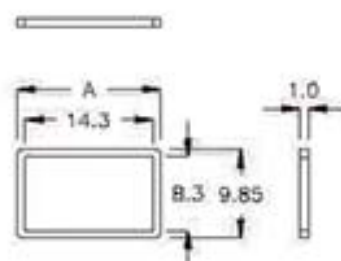
PART NO	A	PACKAGE
MPG-15WF	15.7	500





固定座 MOUNT

MATERIAL: NYLON 66(UL)
FLAME CLASS: 94V-2
COLOR: NATURAL



PART NO	A	PACKAGE
MWJ-16	16.0	1000



銷 PIN

MATERIAL: NYLON 66(UL)
FLAME CLASS: 94V-2
COLOR: NATURAL

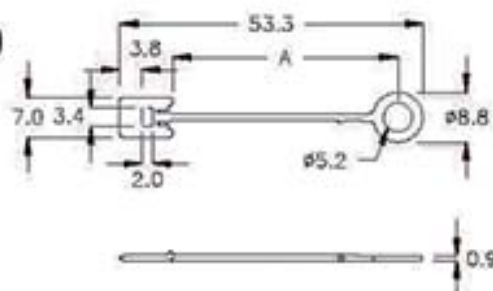


PART NO	A	B	PACKAGE
PIN-13	13.0	φ2.0	1000



固定帶 STRAP TIE

MATERIAL: NYLON 66(UL)
FLAME CLASS: 94V-2
COLOR: BLACK

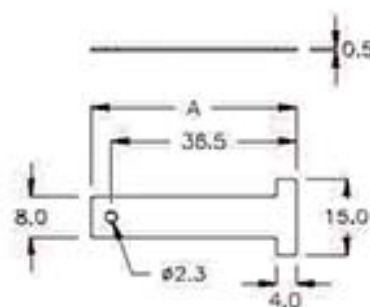


PART NO	A	PACKAGE
BFA-40	39.6	500



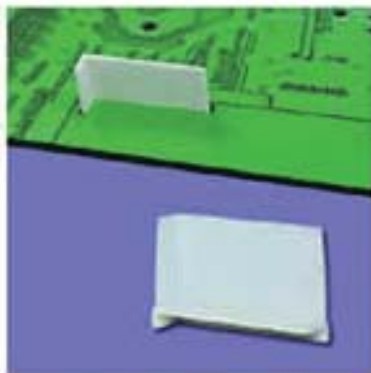
固定帶 STRAP TIE

MATERIAL: NYLON 66(UL)
FLAME CLASS: 94V-2
COLOR: NATURAL



PART NO	A	PACKAGE
TPW-40A	40.5	2000

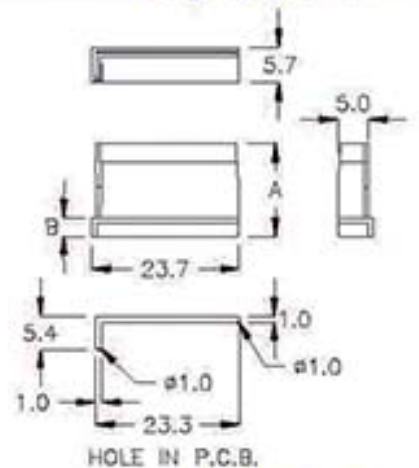
13-104-1



固定座 MOUNT

MATERIAL: NYLON 66(UL)
FLAME CLASS: 94V-0
COLOR: NATURAL

PART NO.	A	B	PACKAGE
MPB-03	15.0	3.0	1000



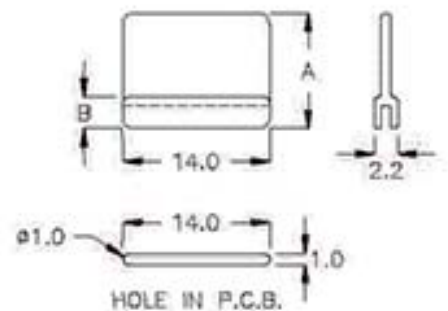
13-104-2



固定座 MOUNT

MATERIAL: NYLON 66(UL)
FLAME CLASS: 94V-0
COLOR: NATURAL

PART NO.	A	B	PACKAGE
MPB-3A	11.0	3.0	500



13-104-3

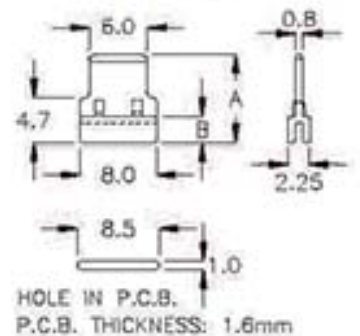


固定座 MOUNT

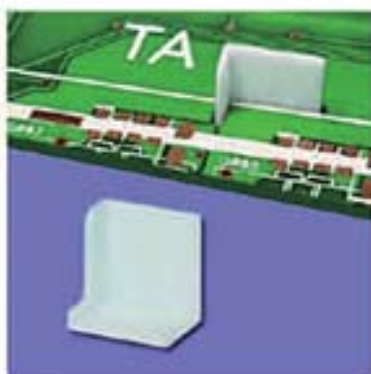
MATERIAL: NYLON 66(UL)
FLAME CLASS: 94V-0
COLOR: NATURAL

NEW

PART NO.	A	B	PACKAGE
★ MPB-BST	9.2	2.7	1000



13-104-4

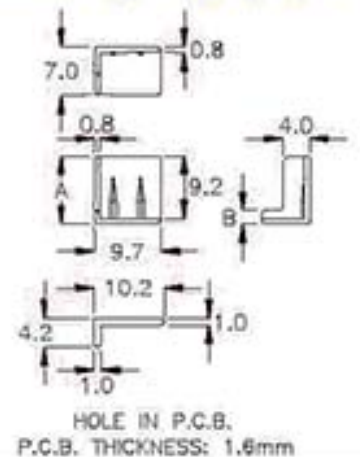


固定座 MOUNT

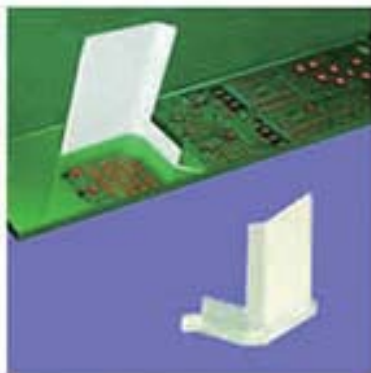
MATERIAL: NYLON 66(UL)
FLAME CLASS: 94V-0
COLOR: NATURAL

NEW

PART NO.	A	B	PACKAGE
★ MPB-10GK	10.0	2.0	1000



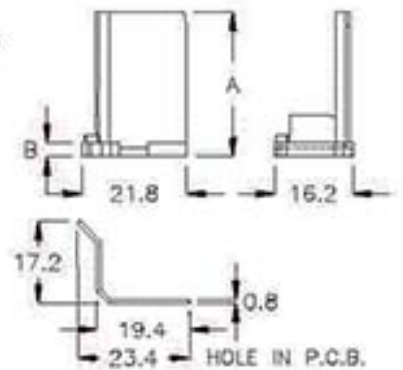
13-105-1



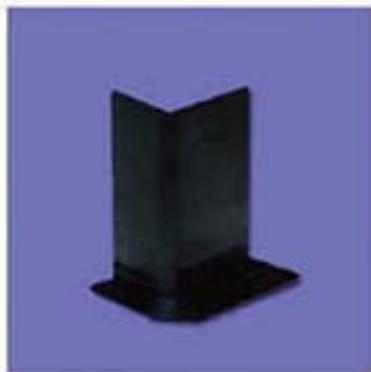
固定座 MOUNT

MATERIAL: NYLON 66+30%FRP
FLAME CLASS: 94V-0
COLOR: NATURAL

PART NO	A	B	PACKAGE
MPB-4A	30.2	2.95	500



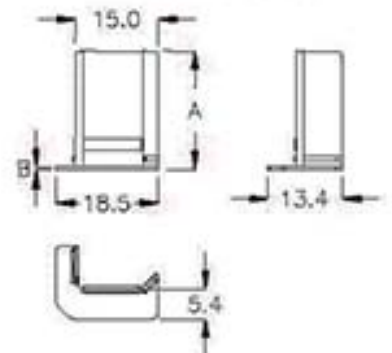
13-105-2



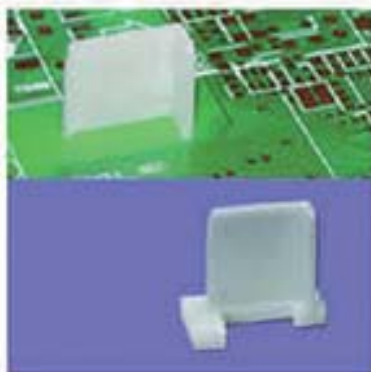
固定座 MOUNT

MATERIAL: NYLON 66(UL)
FLAME CLASS: 94V-0
COLOR: BLACK

PART NO	A	B	PACKAGE
MPB-18MD	21.4	0.45	500



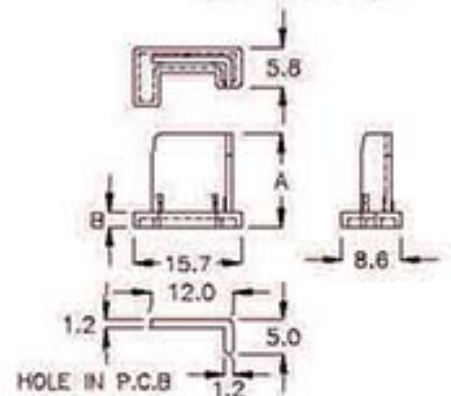
13-105-3



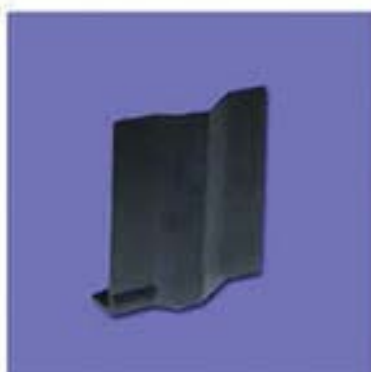
固定座 MOUNT

MATERIAL: NYLON 66(UL)
FLAME CLASS: 94V-0
COLOR: NATURAL

PART NO	A	B	PACKAGE
MPB-15GK	13.6	2.2	500



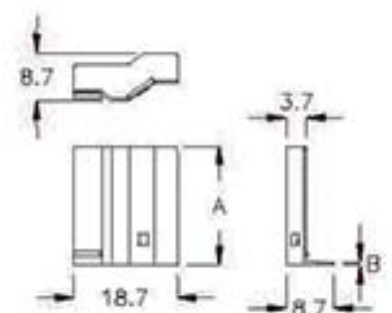
13-105-4



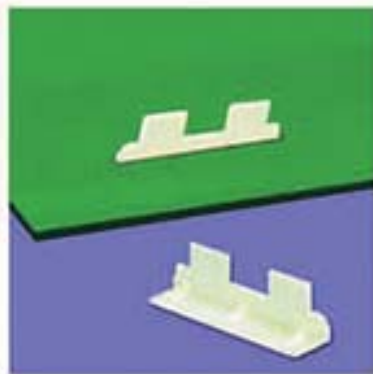
固定座 MOUNT

MATERIAL: NYLON 66(UL)
FLAME CLASS: 94V-0
COLOR: BLACK

PART NO	A	B	PACKAGE
MPB-18PQ	21.4	0.45	500



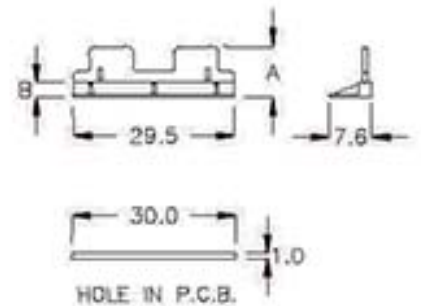
13-106-1



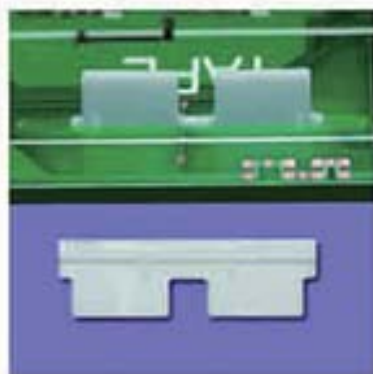
固定座 MOUNT

MATERIAL: NYLON 66(UL)
FLAME CLASS: 94V-0
COLOR: NATURAL

PART NO.	A	B	PACKAGE
MPB-29LY	9.2	2.7	500



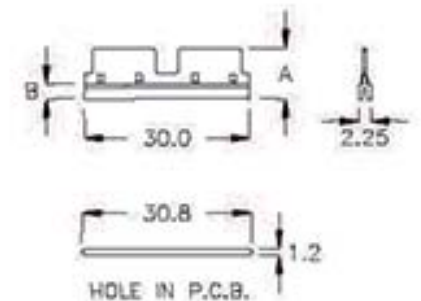
13-106-2



固定座 MOUNT

MATERIAL: NYLON 66(UL)
FLAME CLASS: 94V-0
COLOR: NATURAL

PART NO.	A	B	PACKAGE
MPB-30KM	9.2	2.7	500



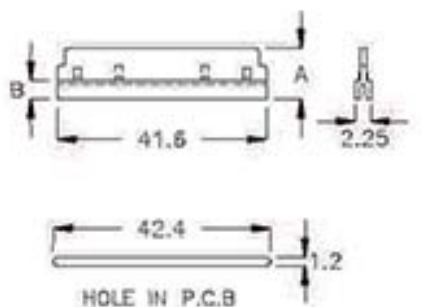
13-106-3



固定座 MOUNT

MATERIAL: NYLON 66(UL)
FLAME CLASS: 94V-0
COLOR: NATURAL

PART NO.	A	B	PACKAGE
MPB-420W	7.2	2.7	500



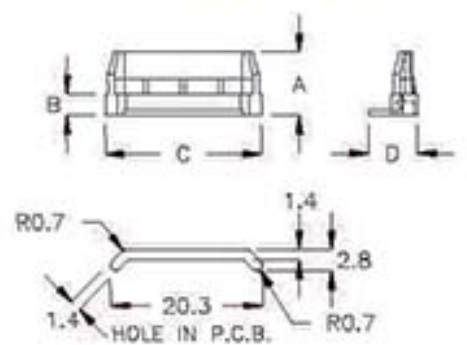
13-106-4



固定座 MOUNT

MATERIAL: NYLON 66(UL)
FLAME CLASS: 94V-0
COLOR: NATURAL

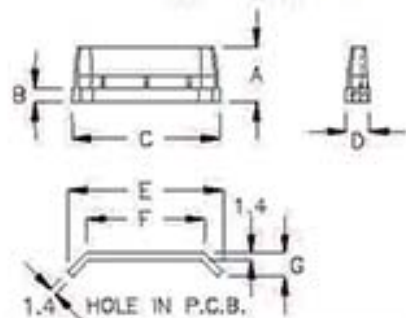
PART NO.	A	B	C	D	PACKAGE
MPB-21HT	8.5	2.9	20.9	6.5	1000



13-107-1

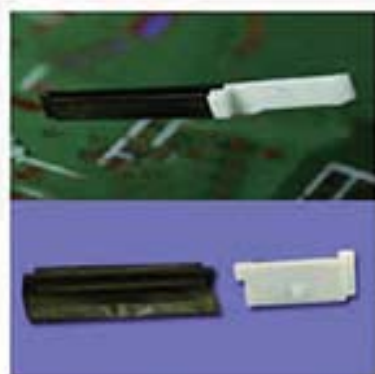


固定座 MOUNT
COLOR: NATURAL



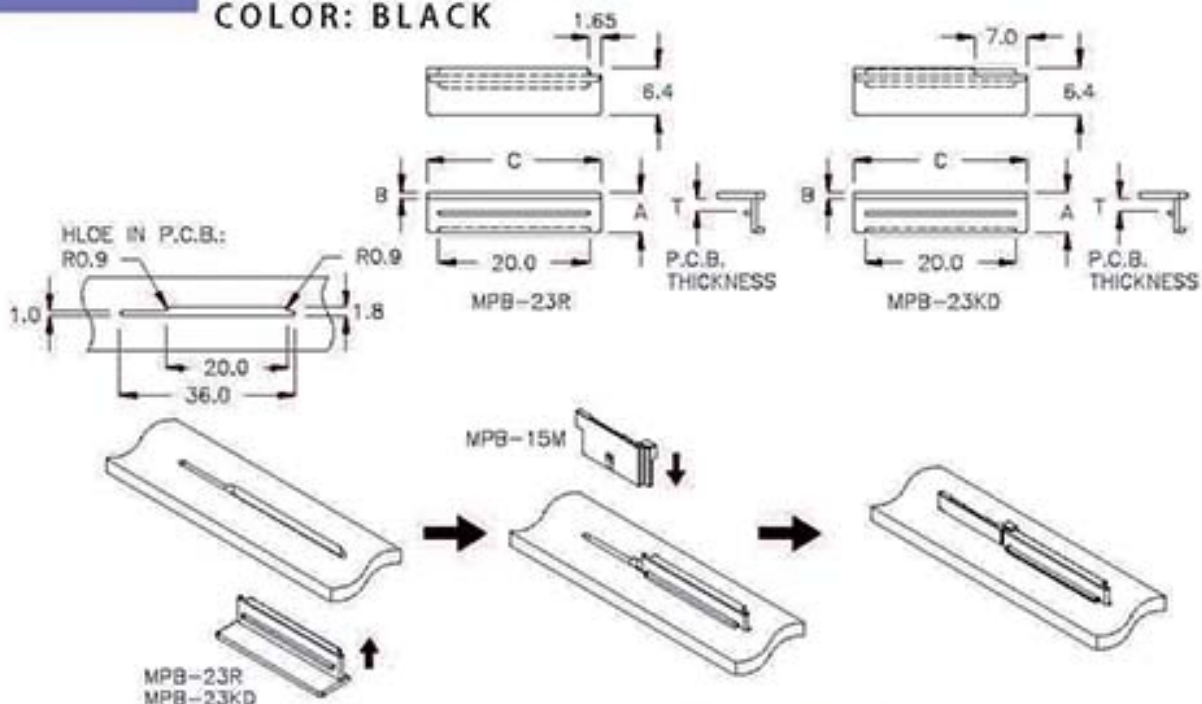
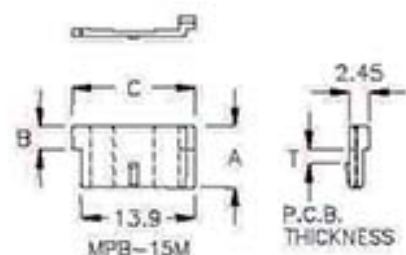
PART NO	MATERIAL	A	B	C	D	E	F	G	PACKAGE
MPB-27SQ	N66 94V-0	8.25	2.15	27.6	4.9	29.5	22.3	4.6	500
MPB-30J	N66 94V-0	11.55	2.95	30.8	4.8	32.4	24.6	4.9	
MPB-32HW	N66 94V-0	9.05	2.95	32.8	4.9	33.0	25.8	4.6	
MPB-32K	N66+30%FRP	11.55	2.95	32.8	4.9	33.0	25.8	4.6	

13-107-2

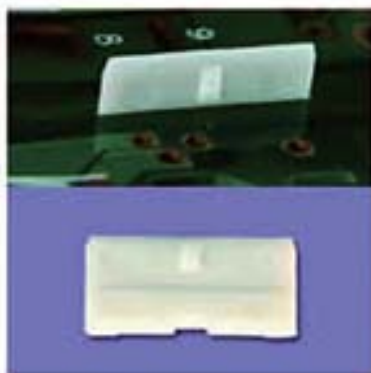


固定座 MOUNT
MPB-15M
MATERIAL: NYLON 66(UL)
FLAME CLASS: 94V-0
COLOR: NATURAL

MPB-23R/MPB-23KD
MATERIAL: PPS(UL)
FLAME CLASS: 94V-0
COLOR: BLACK

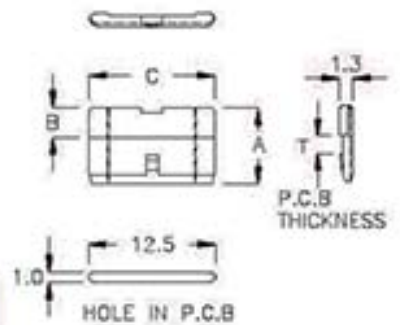


PART NO	A	B	C	T CHASSIS THICKNESS	PACKAGE
MPB-15M	7.4	2.8	15.0	1.6	1000
MPB-23R	5.3	0.8	23.0	1.6	500
MPB-23KD	5.3	0.8	23.0	1.6	



固定座 MOUNT

MATERIAL: NYLON 66(UL)
FLAME CLASS: 94V-0
COLOR: NATURAL

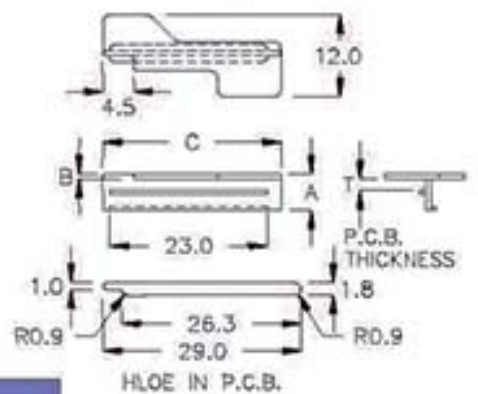


PART NO	A	B	C	T CHASSIS THICKNESS	PACKAGE
MPB-11TN	7.2	2.8	12.0	1.6	1000
MPB-11GL	14.0	2.8	12.0	1.6	500

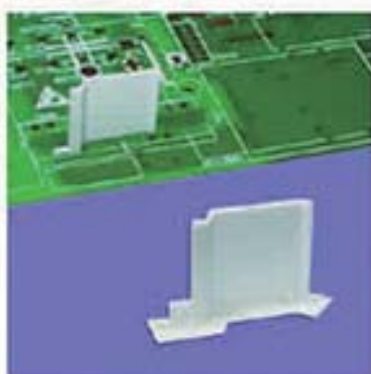


固定座 MOUNT

MATERIAL: PPS(UL)
FLAME CLASS: 94V-0
COLOR: BLACK

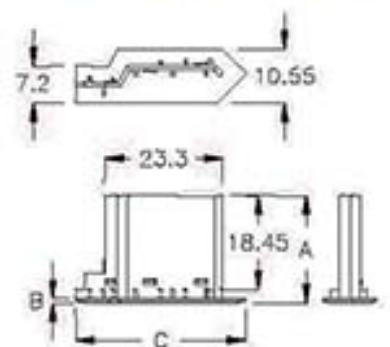


PART NO	A	B	C	T CHASSIS THICKNESS	PACKAGE
MPB-26CK	5.3	0.7	26.0	1.6	500



固定座 MOUNT

MATERIAL: NYLON 66(UL)
FLAME CLASS: 94V-0
COLOR: NATURAL



PART NO	A	B	C	PACKAGE
MPB-35TK	21.1	0.8	33.5	500

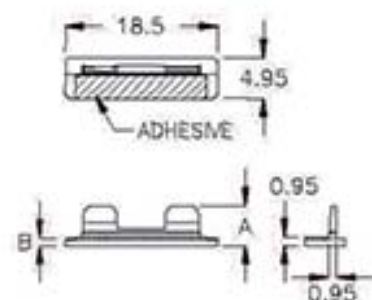


固定座 MOUNT

MATERIAL: PC(UL)
 FLAME CLASS: 94V-0
 COLOR: BLACK
 ADHESIVE TAPE: JUSTAPE



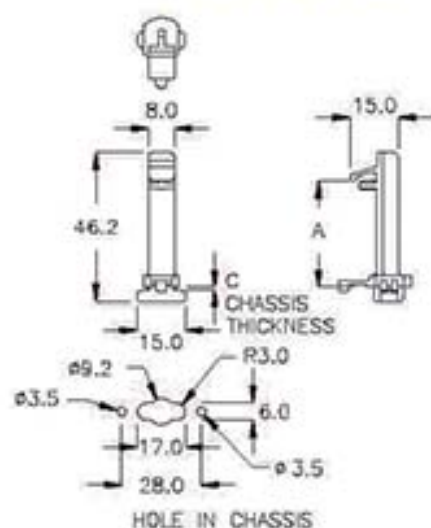
PART NO	A	B	PACKAGE
★ HCHA-18M	4.8	0.9	1000



固定座 MOUNT

MATERIAL: POM(UL)
 FLAME CLASS: 94HB
 COLOR: NATURAL

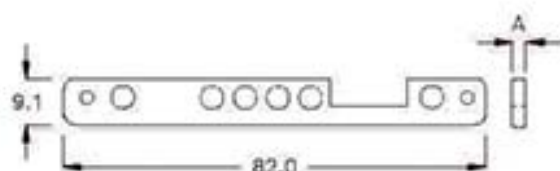
PART NO	A	C CHASSIS THICKNESS	PACKAGE
MGS-46CH	32.9	1.0	100



PIN固定座 PIN MOUNT

MATERIAL: NYLON 66+30%FRP
 FLAME CLASS: 94V-0
 COLOR: BLACK

PART NO	A	PACKAGE
DC-01	2.7	500





PIN固定座 PIN MOUNT

MATERIAL: NYLON 66+25%FRP
 FLAME CLASS: 94V-0
 COLOR: BLACK

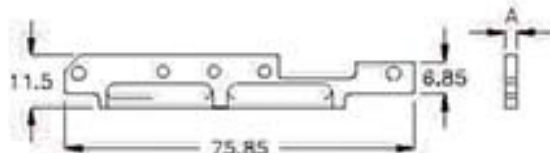


PART NO	A	PACKAGE
DC-02	2.7	500



PIN固定座 PIN MOUNT

MATERIAL: NYLON 66+30%FRP
 FLAME CLASS: 94V-0
 COLOR: BLACK



PART NO	A	PACKAGE
DC-2Q	2.6	200



PIN固定座 PIN MOUNT

MATERIAL: NYLON 66+30%FRP
 FLAME CLASS: 94V-0
 COLOR: BLACK

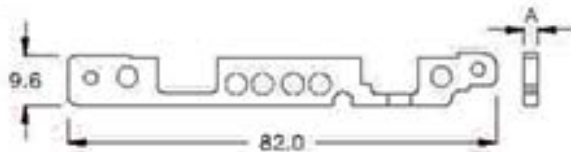


PART NO	A	PACKAGE
DC-2RM	2.7	200



PIN固定座 PIN MOUNT

MATERIAL: NYLON 46(UL)
 FLAME CLASS: 94V-0
 COLOR: BLACK



PART NO	A	PACKAGE
DC-3F	2.6	200

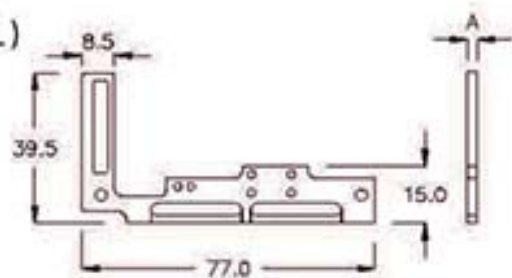
13-111-1-



PIN固定座 PIN MOUNT

MATERIAL: NYLON 46(UL)
FLAME CLASS: 94V-0
COLOR: BLACK

PART NO	A	PACKAGE
DC-2H	2.6	200



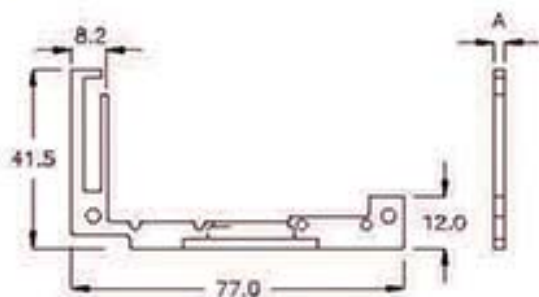
13-111-2-



PIN固定座 PIN MOUNT

MATERIAL: PPS
FLAME CLASS: 94V-0
COLOR: BLACK

PART NO	A	PACKAGE
DC-4LS	2.7	200



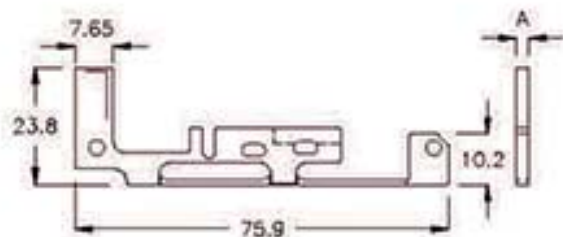
13-111-3-



PIN固定座 PIN MOUNT

MATERIAL: NYLON 66+30%FRP
FLAME CLASS: 94V-0
COLOR: BLACK

PART NO	A	PACKAGE
DC-4OF	2.6	200



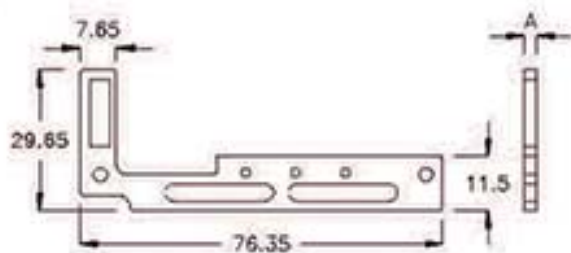
13-111-4-



PIN固定座 PIN MOUNT

MATERIAL: NYLON 66+30%FRP
FLAME CLASS: 94V-0
COLOR: BLACK

PART NO	A	PACKAGE
DC-4RK	2.6	200



13-112-1-



PIN固定座 PIN MOUNT

MATERIAL: NYLON 66+30%FRP
FLAME CLASS: 94V-0
COLOR: BLACK



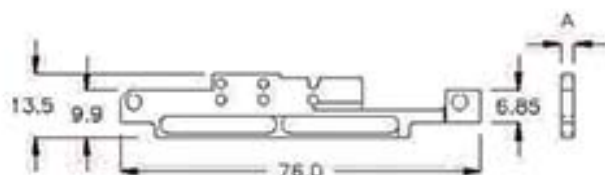
PART NO	A	PACKAGE
DC-5MA	2.7	200

13-112-2-



PIN固定座 PIN MOUNT

MATERIAL: NYLON 46(UL)
FLAME CLASS: 94V-0
COLOR: BLACK



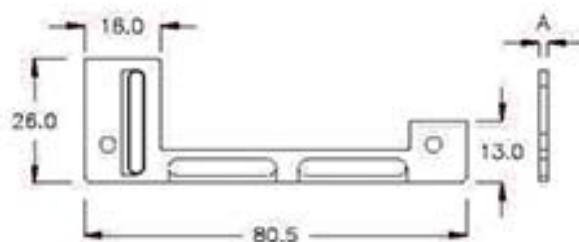
PART NO	A	PACKAGE
DC-6CN	2.7	200

13-112-3-



PIN固定座 PIN MOUNT

MATERIAL: NYLON 46(UL)
FLAME CLASS: 94V-0
COLOR: BLACK



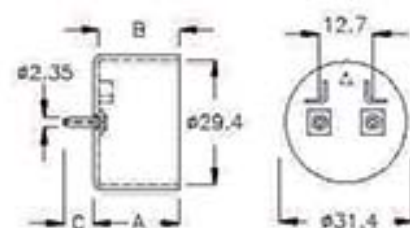
PART NO	A	PACKAGE
DC-7XK	2.6	200

13-112-4-



燈帽 LAMP TUBE CAP

MATERIAL: PC
FLAME CLASS: 94V-0
COLOR: WHITE



FOR T9 LAMP				
PART NO	A	B	C	PACKAGE
T9A-3C	20.0	18.8	7.1	100

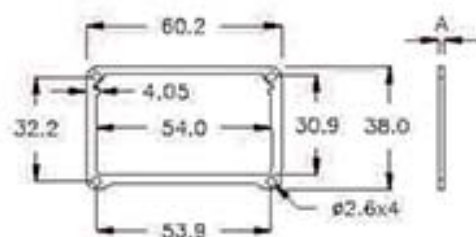
13-113-1-



墊圈 GASKET

MATERIAL: SILICONE
FLAME CLASS: 94V-0
COLOR: BLACK

PART NO	A	PACKAGE
LRA-60	1.7	500



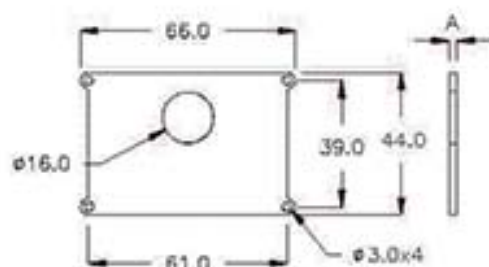
13-113-2-



墊片 SILICONE PAD

MATERIAL: SILICONE
FLAME CLASS: 94V-0
COLOR: BLACK

PART NO	A	PACKAGE
GCA-66	0.8	200



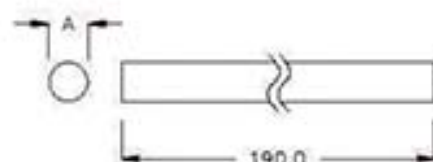
13-113-3-



膠條 SILICONE TIE

MATERIAL: SILICONE
COLOR: BLACK

PART NO	A	PACKAGE
LPL-2D	$\phi 1.0$	500



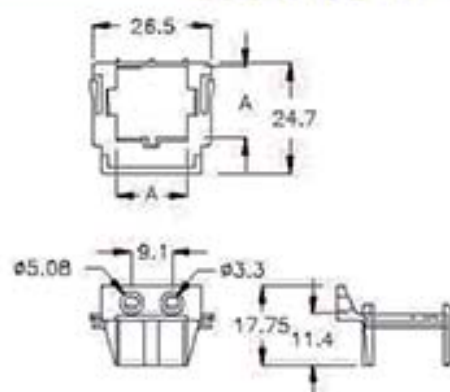
13-113-4-



固定座 MOUNT

MATERIAL: ABS+PC(UL)
FLAME CLASS: 94V-0
COLOR: NATURAL, BLACK

PART NO	A	PACKAGE
MPW-24Q	16.0	200

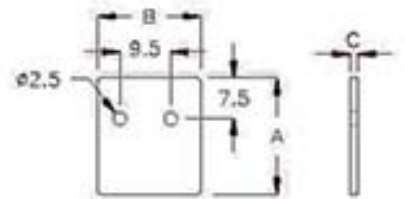


13-114-1-



固定座 MOUNT

MATERIAL: NYLON 66(UL)
FLAME CLASS: 94V-2
COLOR: NATURAL



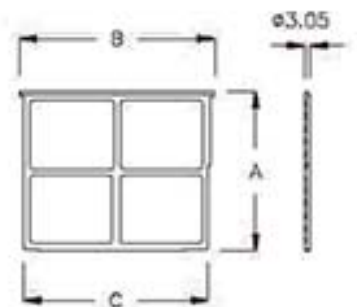
PART NO	A	B	C	PACKAGE
MDD-21H	21.5	19.0	1.5	500

13-114-2-



防塵蓋 COVER

MATERIAL: NYLON 66(UL)
FLAME CLASS: 94V-2
COLOR: BLACK



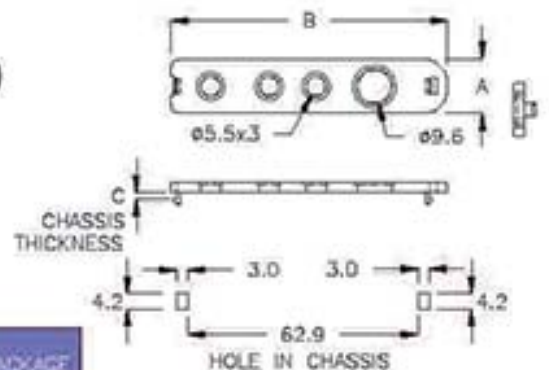
PART NO	A	B	C	PACKAGE
DUA-103C	84.4	103.2	97.0	20
DUA-105K	84.4	105.2	98.9	

13-114-3-



固定座 MOUNT

MATERIAL: ABS+PC(UL)
FLAMECLASS: 94V-0
COLOR: BLACK



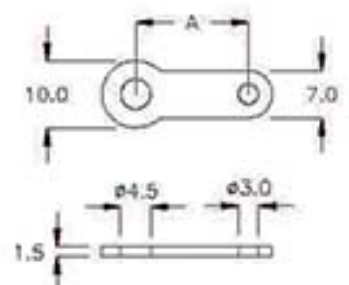
PART NO	A	B	C CHASSIS THICKNESS	PACKAGE
MGW-75	14.6	75.0	1.8	100

13-114-4-



固定帶 STRAP MOUNT

MATERIAL: SILICONE
FLAME CLASS: 94V-0
COLOR: BLACK

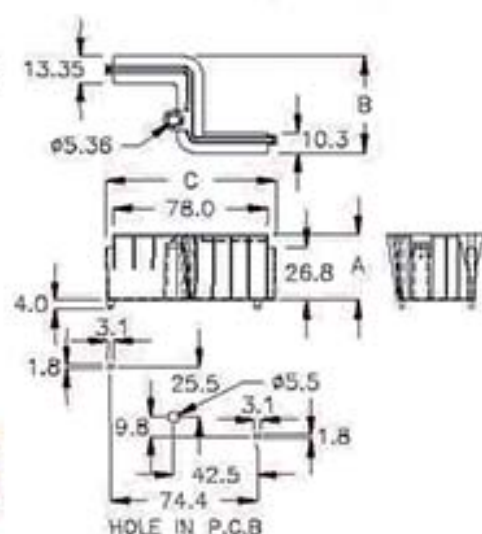


PART NO	A	PACKAGE
DHM-25A	16.7	1000



固定座 MOUNT

MATERIAL: NYLON 66(UL)
FLAME CLASS: 94V-0
COLOR: NATURAL



PART NO	A	B	C	PACKAGE
MPV-86GT	33.5	49.15	86.25	50

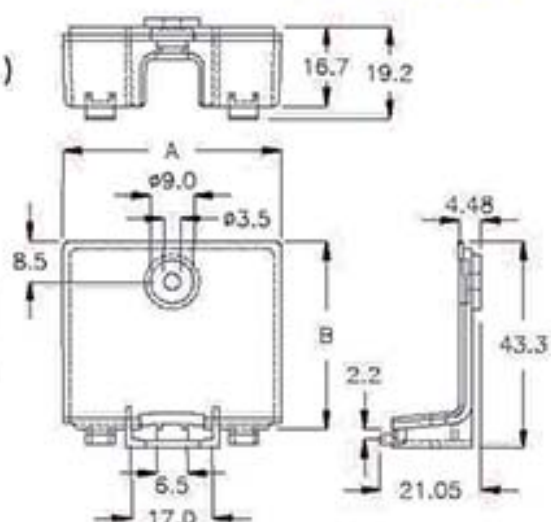


電源保護蓋 COVER

MATERIAL: ABS+PC(UL)
FLAME CLASS: 94V-0
COLOR: BLACK



PART NO	A	B	PACKAGE
★ MXF-44GN	45.7	39.35	20

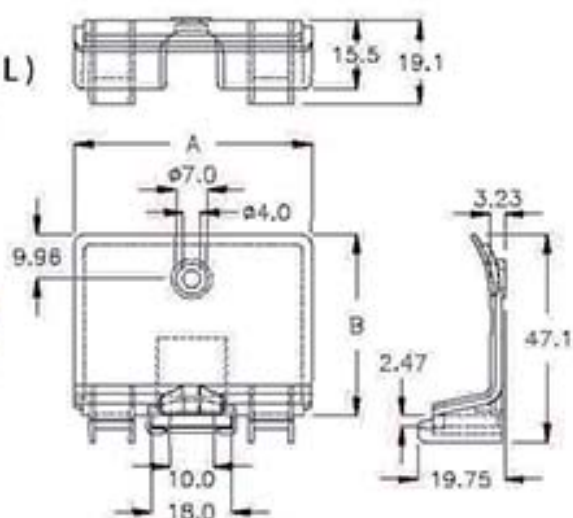


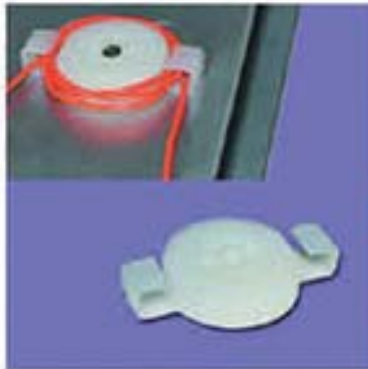
電源保護蓋 COVER

MATERIAL: ABS+PC(UL)
FLAME CLASS: 94V-0
COLOR: BLACK



PART NO	A	B	PACKAGE
★ MXF-53TK	53.7	41.0	20



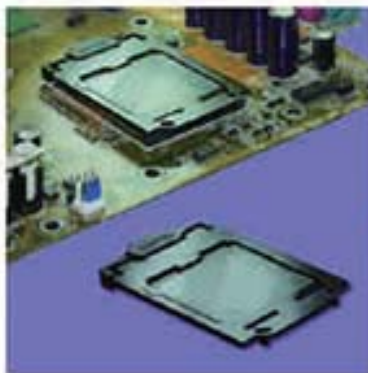
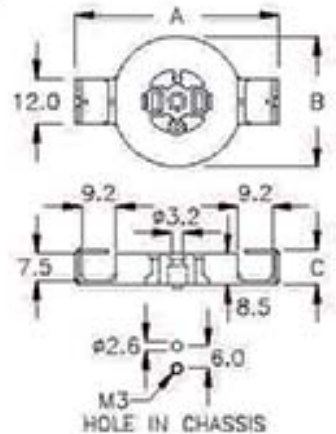


光纖固定座 OPTICAL FIBER MOUNT

MATERIAL: NYLON 66(UL)
 FLAME CLASS: 94V-2
 COLOR: NATURAL



PART NO.	A	B	C	PACKAGE
★ VVC-55F	54.8	φ35.0	9.5	200

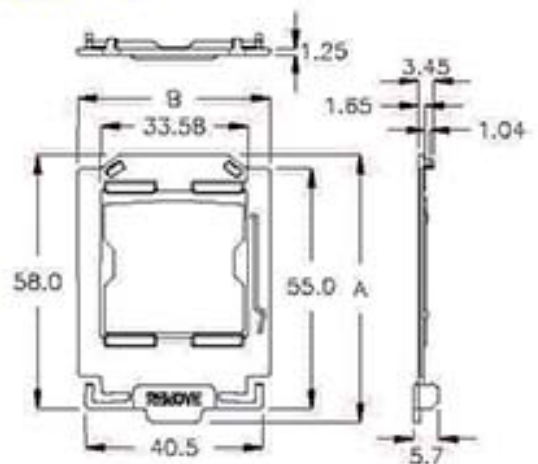


CPU插座蓋 CPU SOCKET COVER

MATERIAL: PC(UL)
 FLAME CLASS: 94V-2
 COLOR: BLACK



PART NO.	A	B	PACKAGE
★ HFX-61CP	61.0	44.0	100





端子附件 ▶
CONNECTORS



五金 ▶
WIRE CLIPS,
TEST PIN

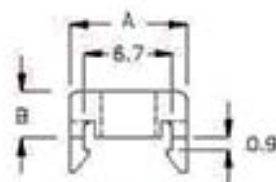
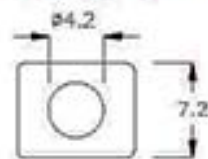
14-2-1



端子隔離座 CONNECTOR SADDLE

MATERIAL: NYLON 66(UL)
 FLAME CLASS: 94V-2
 COLOR: BLACK
 USE WITH P.G PART "JH-8"
 (Page 14-4-2)

PART NO	A	B	PACKAGE
P-2	8.7	3.5	1000



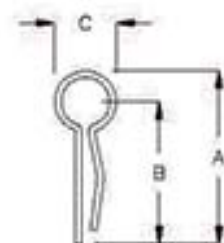
14-2-2



測試點 TEST PIN

MATERIAL: PHOSPHOR BRONZE WIRE
 PLATING: GOLD
 COLOR: GOLD
 HOLE IN P.C.B: $\phi 0.9 \sim \phi 1.0$

PART NO	A	B	C	PACKAGE
JT-0	9.5	8.1	$\phi 2.8$	1000
JT-1S	10.65	8.75	$\phi 3.8$	



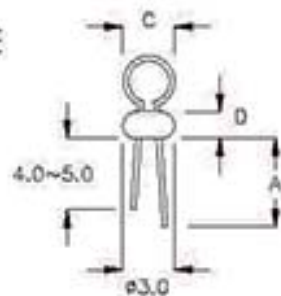
14-2-3



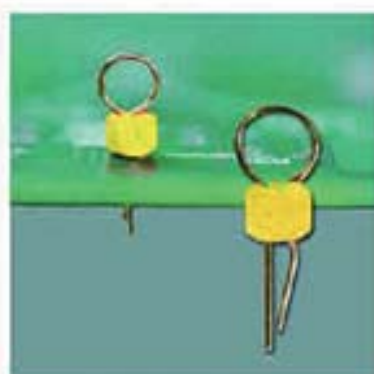
測試點 TEST PIN

MATERIAL: PHOSPHOR BRONZE WIRE
 PLATING: GOLD
 PLASTIC: PBT
 COLOR: RED, YELLOW, GREEN
 BLUE, BLACK, WHITE
 HOLE IN P.C.B: $\phi 0.9 \sim \phi 1.0$

PART NO	A	C	D	PACKAGE
JT-1K	5.0~6.0	$\phi 3.1$	3.3	1000
JT-1P	5.0~6.0	$\phi 3.1$	2.2	



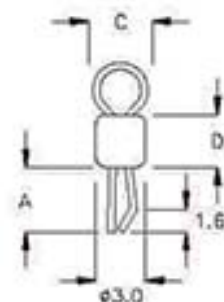
14-2-4



測試點 TEST PIN

MATERIAL: PHOSPHOR BRONZE WIRE
 PLATING: GOLD
 PLASTIC: PBT
 COLOR: GOLD, YELLOW
 HOLE IN P.C.B.: $\phi 0.9 \sim \phi 1.0$

PART NO	A	C	D	PACKAGE
JT-1Q	3.6~4.0	$\phi 3.1$	3.3	1000

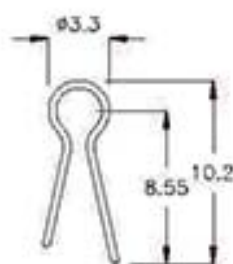


14-3-1



測試點 TEST PIN (JT-1N)

MATERIAL: PHOSPHOR BRONZE WIRE
 PLATING: GOLD
 COLOR: GOLD
 HOLE IN P.C.B: $\phi 0.9 \sim \phi 1.0$
 PACKAGE: 1000



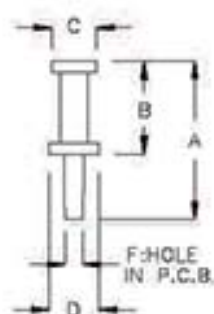
14-3-2



測試點 TEST PIN

MATERIAL: BRASS
 PLATING: GOLD
 COLOR: GOLD
 F: HOLE IN P.C.B

PART NO	A	B	C	D	F	PACKAGE
JT-8	7.9	4.7	$\phi 2.2$	$\phi 2.5$	$\phi 1.0$	1000
JT-8A	8.0	5.0	$\phi 1.8$	$\phi 1.6$	$\phi 0.8$	



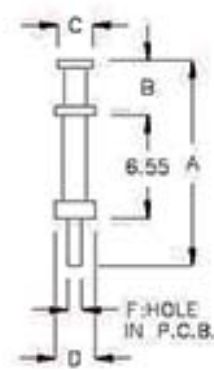
14-3-3



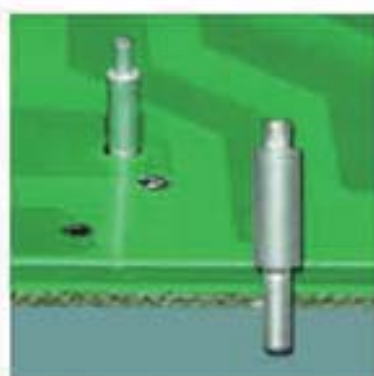
測試點 TEST PIN

MATERIAL: BRASS
 PLATING: GOLD
 COLOR: GOLD
 F: HOLE IN P.C.B

PART NO	A	B	C	D	F	PACKAGE
JT-13	13.0	3.45	$\phi 2.2$	$\phi 2.5$	$\phi 0.9$	1000



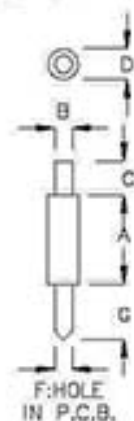
14-3-4



測試點 TEST PIN

MATERIAL: BRASS
 PLATING: TIN
 F: HOLE IN P.C.B

PART NO	A	B	C	D	F	G	PACKAGE
JT-08D	2.0	$\phi 1.0$	2.0	$\phi 1.8$	$\phi 1.05$	4.5	1000
JT-9	4.5	$\phi 1.04$	1.0	$\phi 1.8$	$\phi 1.05$	3.5	
JT-9A	5.0	$\phi 1.0$	1.0	$\phi 1.8$	$\phi 1.05$	3.5	
JT-10	4.5	$\phi 1.04$	2.0	$\phi 1.8$	$\phi 1.05$	3.5	
JT-10AM	2.0	$\phi 2.0$	2.5	$\phi 2.8$	$\phi 2.05$	6.0	
JT-10CR	2.0	$\phi 1.0$	2.0	$\phi 1.8$	$\phi 1.05$	6.0	

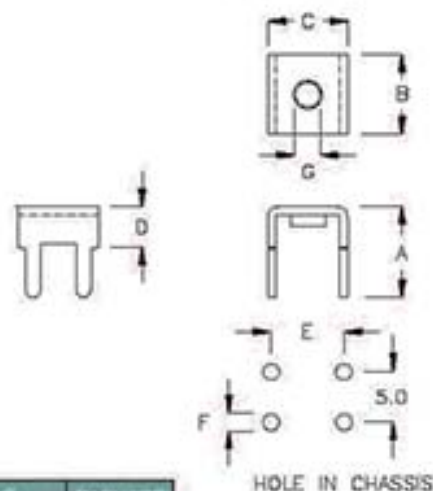


端子 CONNECTOR



MATERIAL: BRASS
PLATING: TIN

PART NO	A	B	C	D	E	F	G	PACKAGE
JH-4A	6.5	7.9	7.9	4.0	7.2	φ1.75	M3	500
JH-4	9.0	7.9	7.9	4.0	7.2	φ1.75	M3	
JH-4L	12.5	9.2	11.1	8.5	10.1	φ1.8	M4	200
JH-04K	12.5	9.0	11.1	8.5	10.15	φ1.8	M5	
JH-5	9.0	9.2	11.2	5.0	10.15	φ1.85	M4	500
JH-05A	10.3	8.0	8.0	7.8	7.0	φ1.7	#6-32	

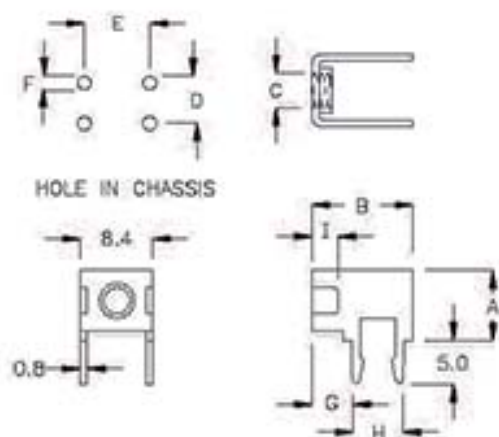


端子 CONNECTOR



MATERIAL: BRASS
PLATING: TIN
C: SCREW
USE WITH P.G PART "P-2"
(Page 14-2-1)

PART NO	A	B	C	D	E	F	G	H	I	PACKAGE
JH-8	8.0	11.4	M4	4.6	7.5	φ1.7	4.4	6.0	2.9	500
JH-8M3	8.0	11.4	M3	4.6	7.5	φ1.7	4.4	6.0	2.9	
JH-009	8.0	11.5	M4	5.2	7.6	φ1.85	4.2	6.6	3.0	

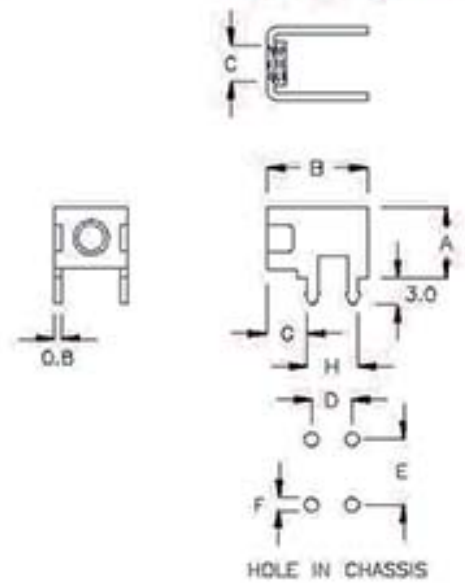


14-5-1



端子 CONNECTOR
 MATERIAL: BRASS
 PLATING: TIN
 C: SCREW

PART. NO	A	B	C	D	E	F	G	H	PACKAGE
JH-08A	8.0	11.5	M4	4.8	7.5	φ1.7	4.6	5.8	500

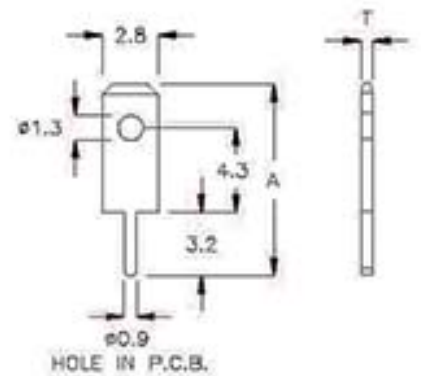


14-5-2



端子 CONNECTOR
 MATERIAL: BRASS
 PLATING: TIN

PART. NO	A	T	PACKAGE
JP-9K	9.7	0.8	2000

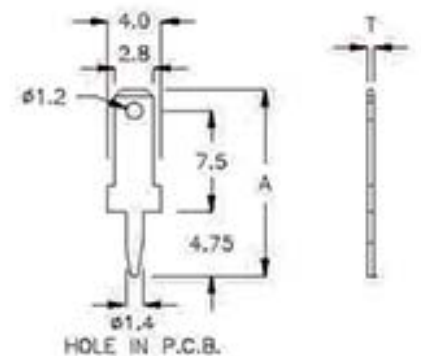


14-5-3



端子 CONNECTOR
 MATERIAL: BRASS
 PLATING: TIN

PART. NO	A	T	PACKAGE
JP-14K	13.8	0.5	2000

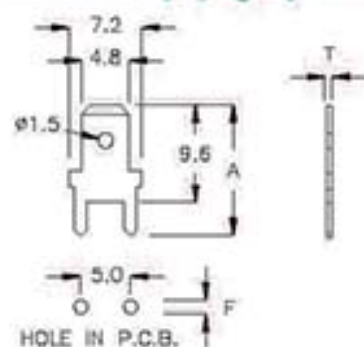


14-6-1



端子 CONNECTOR
MATERIAL: BRASS
PLATING: TIN

PART NO	A	F	T	PACKAGE
JP-13	13.1	φ1.35	0.5	2000
JP-13T	13.1	φ1.4	0.8	

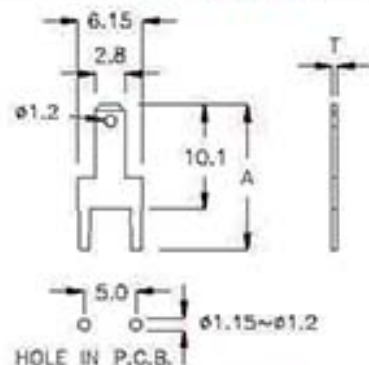


14-6-2



端子 CONNECTOR
MATERIAL: BRASS
PLATING: TIN

PART NO	A	T	PACKAGE
JP-14A	14.1	0.5	2000

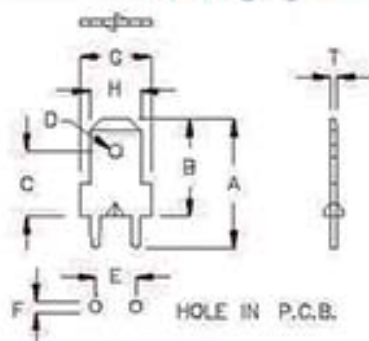


14-6-3



端子 CONNECTOR
MATERIAL: BRASS
PLATING: TIN

PART NO	A	B	C	D	E	F	G	H	T	PACKAGE
JP-14B	13.7	10.2	5.4	φ1.7	5.0	φ1.48	8.2	6.3	0.8	2000
JP-14C	14.1	10.7	6.0	φ1.8	5.0	φ1.43	8.6	6.3	0.8	
JP-16B	16.2	12.2	8.0	φ1.6	5.0	φ1.38	8.8	6.3	0.8	

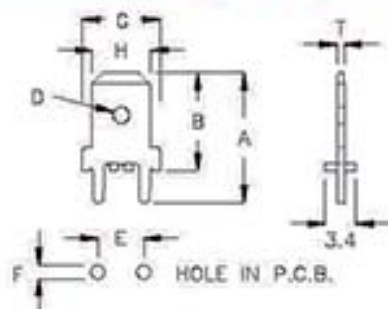


14-6-4



端子 CONNECTOR
MATERIAL: BRASS
PLATING: TIN

PART NO	A	B	D	E	F	G	H	T	PACKAGE
JP-14P	14.1	10.6	φ1.8	5.0	φ1.5	8.5	6.4	0.8	1000

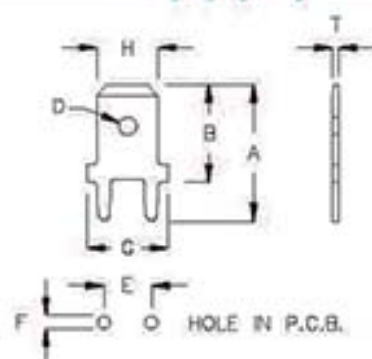


14-7-1



端子 CONNECTOR

MATERIAL: BRASS
PLATING: TIN



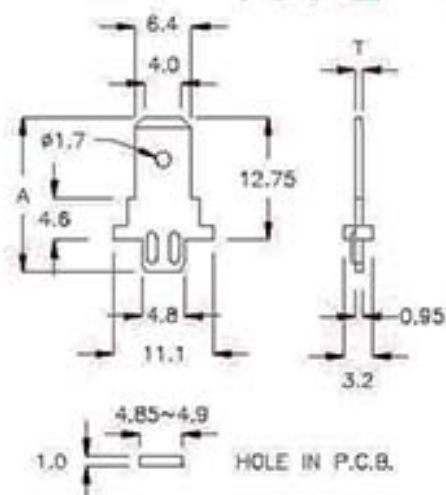
PART NO	A	B	D	E	F	G	H	T	PACKAGE
JP-14	14.0	10.2	φ2.0	5.0	φ1.35~φ1.4	8.0	6.4	0.8	2000
JP-15	15.1	12.1	φ1.5	6.4	φ1.1~φ1.15	9.0	6.0		
JP-16	16.0	12.0	φ1.5	5.0	φ1.8~φ1.85	8.8	6.3		
JP-16A	16.3	12.3	φ1.6	5.0	φ1.45~φ1.5	8.8	6.5		
JP-17	17.0	10.6	φ1.7	5.0	φ1.50~φ1.52	8.0	6.4		
JP-18	18.0	13.6	φ1.5	5.0	φ1.65~φ1.7	8.1	6.3		

14-7-2



端子 CONNECTOR

MATERIAL: BRASS
PLATING: TIN



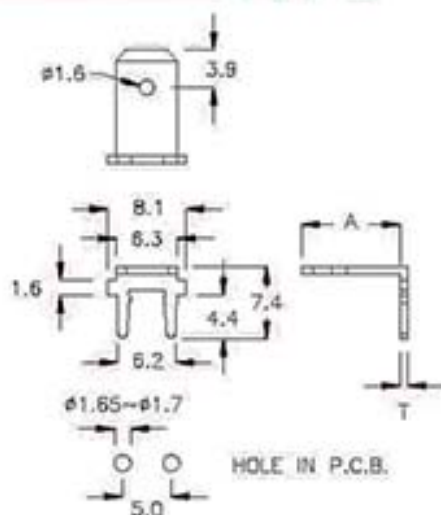
PART NO	A	T	PACKAGE
JP-16D	16.35	0.8	2000

14-7-3



端子 CONNECTOR

MATERIAL: BRASS
PLATING: TIN



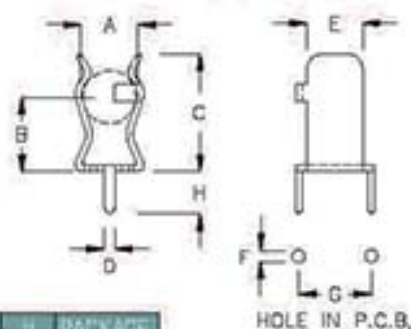
PART NO	A	T	PACKAGE
JP-18L	10.9	0.8	2000

14-8-1



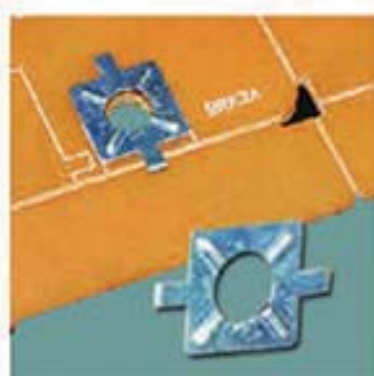
保險絲座 FUSE HOLDER

MATERIAL: BRONZE
PLATING: TIN
A: FUSE DIA



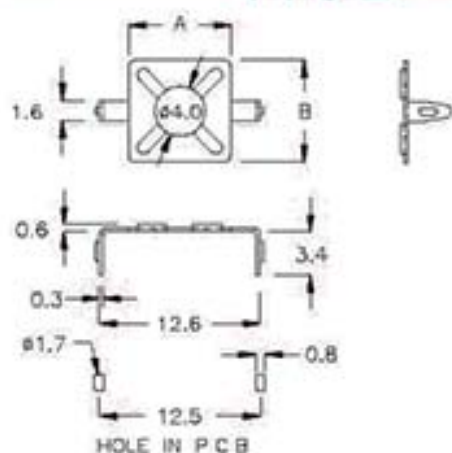
PART NO.	A	B	C	D	E	F	G	H	PACKAGE
FC-002	φ3.7	5.15	8.9	1.2	4.5	φ1.25	4.9	3.5	2000

14-8-2



端子 CONNECTOR

MATERIAL: BRONZE
PLATING: TIN



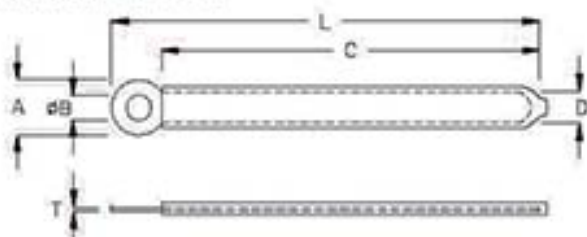
PART NO.	A	B	PACKAGE
JG-7	8.0	8.0	2000

14-8-3



電線固定片 LOCKING CABLE CLIP

MATERIAL: SPTE+HEAT SHRINKING TUBE
or SECC+HEAT SHRINKING TUBE
COLOR: BLACK



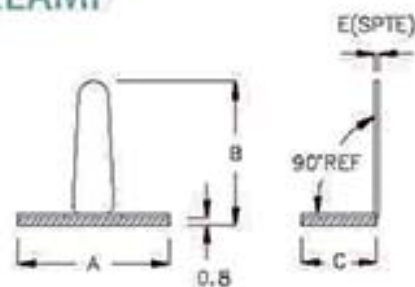
PART NO.	A	B	C	D	L	T	PACKAGE
WC-1A	7.6	3.1	27.5	1.6	35.6	0.3	1000
WC-1AM	5.6	2.8	30.1	1.7	35.6	0.6	
WC-1AL	7.6	3.1	27.5	1.6	35.6	0.6	
WC-1	8.0	3.4	33.5	4.0	41.0	0.3	
WC-2	8.0	3.4	48.2	4.0	55.8	0.3	
WC-2A	8.0	3.4	52.5	3.0	60.0	0.3	
WC-2L	8.0	3.2	46.5	6.0	54.0	0.45	
WC-2LC	8.0	3.2	46.5	6.0	54.0	0.25	
WC-3	8.0	4.1	48.2	4.0	56.0	0.3	
WC-3A	8.0	4.1	48.2	4.0	56.0	0.5	
WC-3L	8.0	4.1	78.5	4.0	86.0	0.5	
WC-6	8.0	3.4	52.3	3.0	60.0	0.5	
WC-7	9.0	6.1	61.4	4.0	70.0	0.4	
WC-11	10.0	5.3	100.4	4.0	110.0	0.5	

14-9-1



電線固定片 LOCKING CABLE CLAMP

MATERIAL: SPTE
ADHESIVE TAPE: 3M



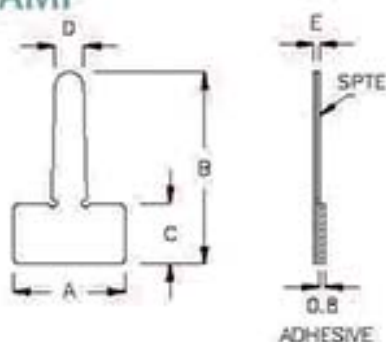
PART NO	A	B	C	E	PACKAGE
JFW-4L	15.1	14.3	7.7	0.4	500

14-9-2



電線固定片 LOCKING CABLE CLAMP

MATERIAL: SPTE+LINT SKIN
ADHESIVE TAPE: 3M



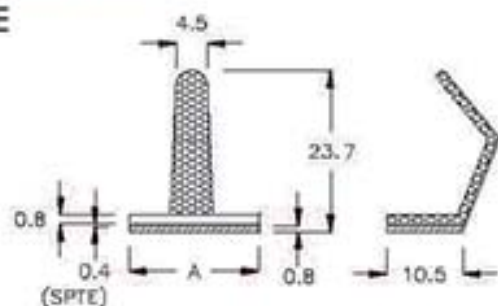
PART NO	A	B	C	D	E	PACKAGE
JFW-5	18.5	29.2	10.0	5.1	0.7	500

14-9-3



電線固定片 LOCKING CABLE CLAMP

MATERIAL: SPTE+SPONGE
ADHESIVE TAPE: 3M



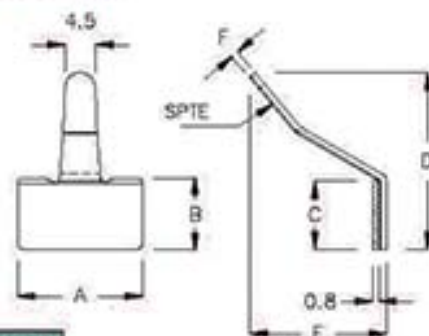
PART NO	A	PACKAGE
JFW-7	18.5	500

14-9-4



電線固定片 LOCKING CABLE CLAMP

MATERIAL: SPTE+SPONGE
ADHESIVE TAPE: 3M

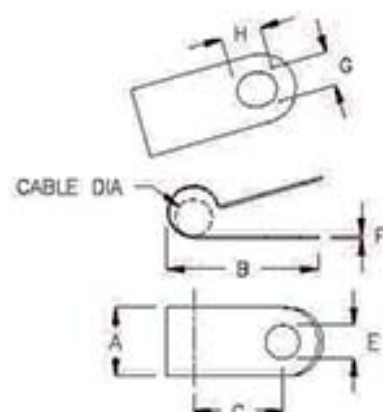


PART NO	A	B	C	D	E	F	PACKAGE
JFW-7K	18.5	10.5	10.0	26.1	20.2	1.1	500

接地線夾 GROUNDING CABLE CLAMP



MATERIAL: SPTE

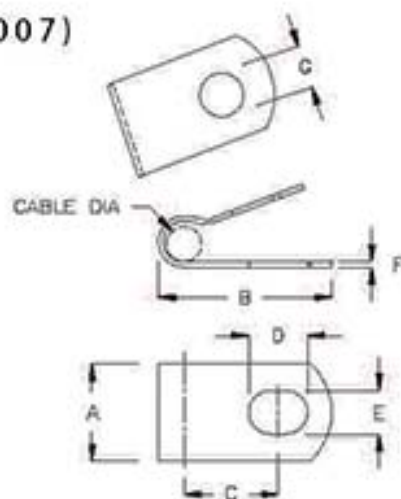


PART NO	A	B	C	D	E	F	G	H	CABLE DIA	PACKAGE
FN-008	8.5	14.3	8.5	∅4.2	0.3	∅4.2	5.0		∅2.5	500
FN-010	8.6	19.6	11.3	∅4.2	0.6	∅4.2	5.0		∅5.8	
FN-011	8.5	18.7	11.0	∅4.2	0.3	∅4.2	5.0		∅4.8	

接地線夾 GROUNDING CABLE CLAMP



MATERIAL: SPCC (FN-005, FN-007)
MATERIAL: STEEL (FN-017)
PLATING: NI

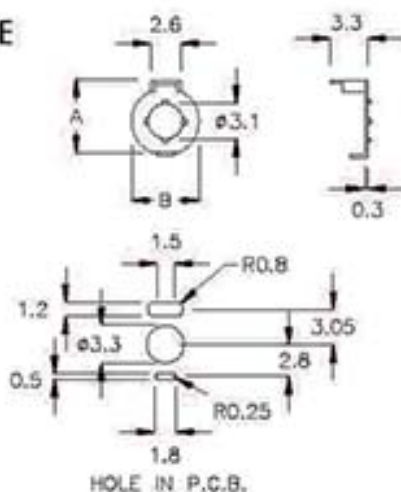


PART NO	A	B	C	D	E	F	G	CABLE DIA	PACKAGE
FN-005	10.1	18.4	10.25	6.0	∅4.5	0.5	∅4.4	∅3.0~∅2.8	500
FN-007	9.8	18.5	10.0	6.0	∅4.5	0.5	∅4.4	∅3.7~∅3.9	
FN-017	8.6	19.8	11.0	6.0	∅4.5	0.3	∅4.5	∅6.4	

接地端子 GROUNDING CONNECTOR

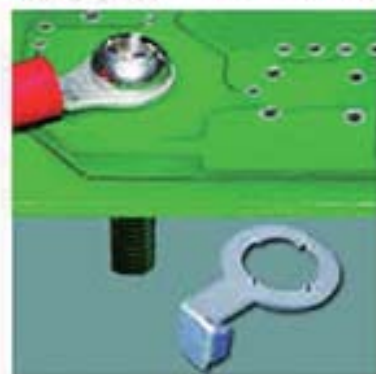


MATERIAL: PHOSPHOR BRONZE
PLATING: TIN



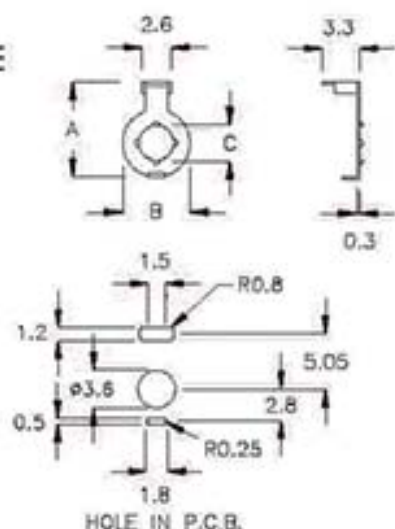
PART NO	A	B	PACKAGE
JG-6	6.5	∅5.9	2000

接地端子 GROUNDING CONNECTOR

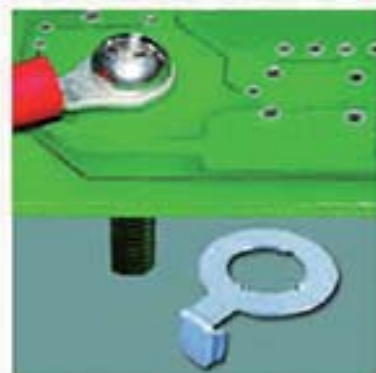


MATERIAL: PHOSPHOR BRONZE
PLATING: TIN

PART NO	A	B	C	PACKAGE
JG-6L	8.5	φ5.9	φ3.1	2000
JG-06A	8.5	φ5.9	φ3.6	

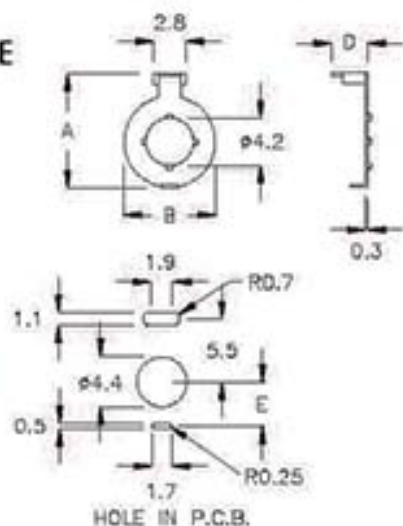


接地端子 GROUNDING CONNECTOR



MATERIAL: PHOSPHOR BRONZE
PLATING: TIN

PART NO	A	B	D	E	PACKAGE
JG-9	10.0	φ8.0	3.2	3.8	2000
JG-09A	10.5	φ8.0	1.8	4.35	

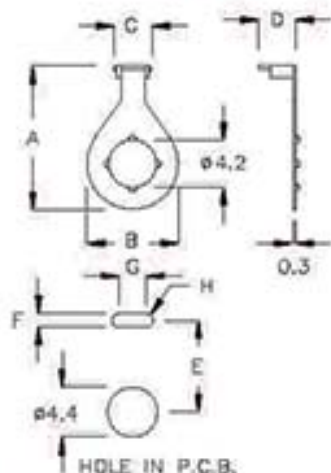


接地端子 GROUNDING CONNECTOR



PLATING: TIN

PART NO	A	B	C	D	E	F	G	H	MATERIAL	PACKAGE
JG-9S	10.0	φ8.0	2.8	3.2	5.5	1.1	1.9	R0.7	PHOSPHOR BRONZE	2000
JG-10	12.5	φ8.0	3.3	3.5	8.0	1.2	2.4	R0.6	BRASS	



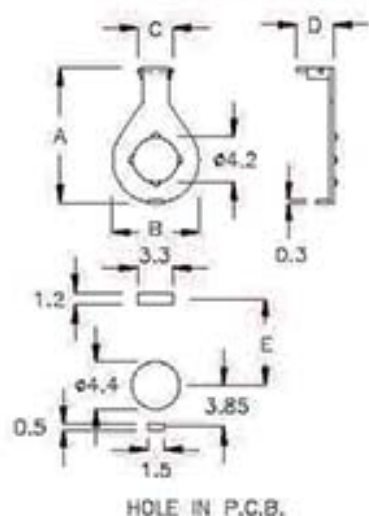
14-12-1

接地端子 GROUNDING CONNECTOR



MATERIAL: BRASS
PLATING: TIN

PART NO	A	B	C	D	E	PACKAGE
JG-10C	12.5	ø8.0	3.3	3.5	8.0	2000



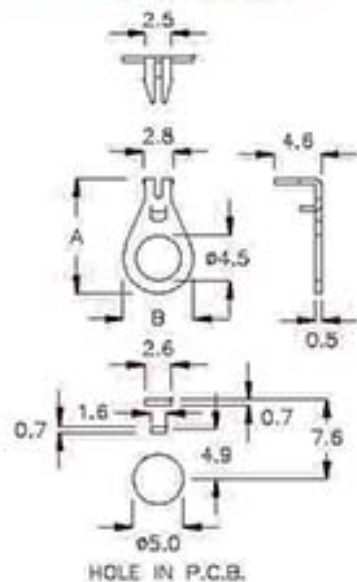
14-12-2

接地端子 GROUNDING CONNECTOR



MATERIAL: BRASS
PLATING: TIN

PART NO	A	B	PACKAGE
JG-11	11.35	ø7.0	2000



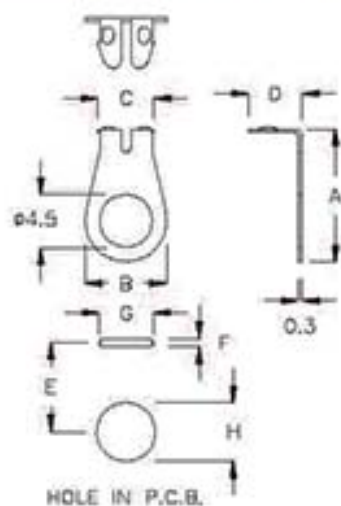
14-12-3

接地端子 GROUNDING CONNECTOR



MATERIAL: BRASS
PLATING: TIN

PART NO	A	B	C	D	E	F	G	H	PACKAGE
JG-11A	11.4	ø7.0	4.8	4.6	7.6	0.7	4.6	ø5.0	2000
JG-11D	11.4	ø7.0	4.2	4.6	7.6	0.7	4.0	ø5.0	



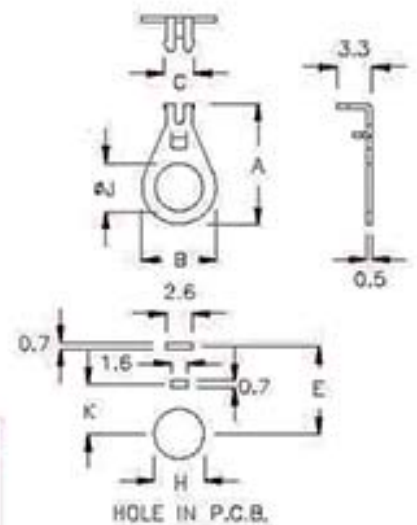
14-13-1

接地端子 GROUNDING CONNECTOR



MATERIAL: BRASS
PLATING: TIN

PART NO.	A	B	C	E	H	J	K	PACKAGE
JG-11C	11.35	ø7.0	2.8	7.6	ø5.0	ø4.5	4.9	2000
JG-11F	11.35	ø7.0	2.8	7.6	ø5.0	ø5.0	4.9	
JG-11H	14.75	ø7.0	2.8	11.0	ø5.0	ø5.0	6.5	
JG-11K	14.75	ø7.0	2.8	11.0	ø5.5	ø5.5	6.5	



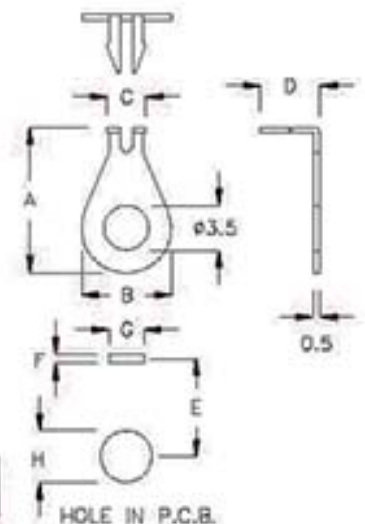
14-13-2

接地端子 GROUNDING CONNECTOR



MATERIAL: BRASS
PLATING: TIN

PART NO.	A	B	C	D	E	F	G	H	PACKAGE
JG-13	11.4	ø7.0	3.0	4.6	7.6	0.7	2.7	ø4.0	2000



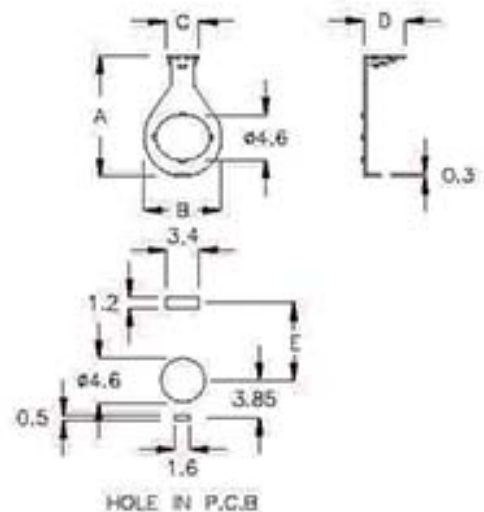
14-13-3

接地端子 GROUNDING CONNECTOR



MATERIAL: BRASS
PLATING: TIN

PART NO.	A	B	C	D	E	PACKAGE
JG-14	12.5	ø8.0	3.3	4.25	8.0	2000

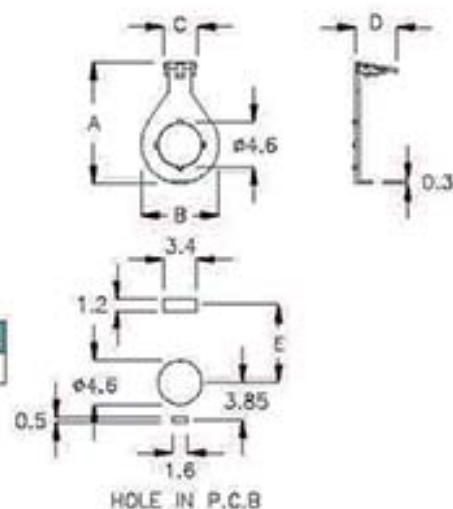


接地端子 GROUNDING CONNECTOR



MATERIAL: BRASS
PLATING: TIN

PART NO	A	B	C	D	E	PACKAGE
JG-15	12.5	8.0	3.3	4.2	8.0	2000

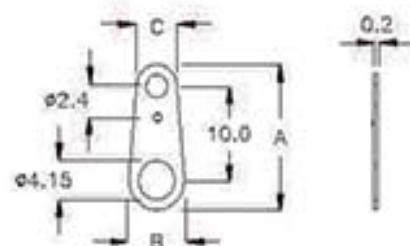


接地端子 GROUNDING CONNECTOR



MATERIAL: BRASS
PLATING: TIN

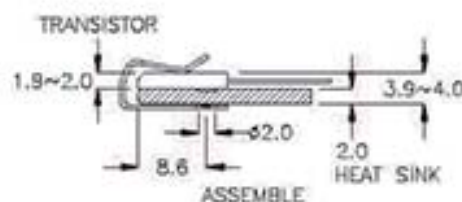
PART NO	A	B	C	PACKAGE
LUG-4	15.5	φ6.4	φ4.5	2000



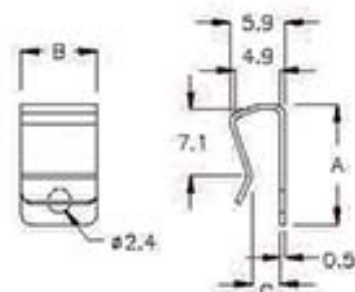
電晶體固定片 TRANSISTOR CLIP



MATERIAL: SUS301



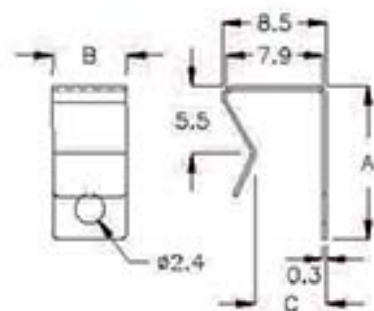
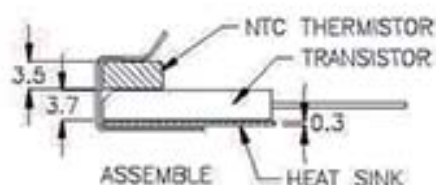
PART NO	A	B	C	PACKAGE
IRK-12H	12.7	8.0	3.0	1000



電晶體固定片 TRANSISTOR CLIP

MATERIAL: SUS301

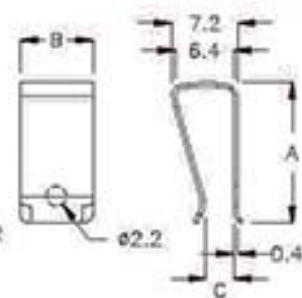
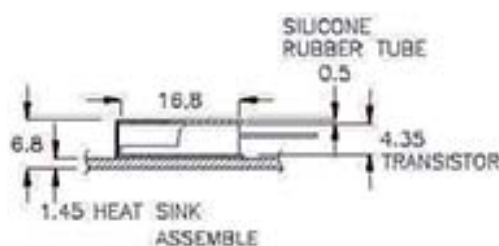
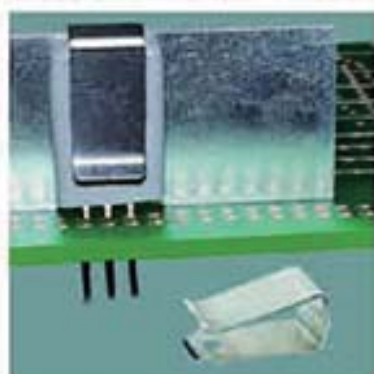
NEW



PART NO	A	B	C	PACKAGE
★ IRK-12MG	12.5	6.0	5.5	1000

電晶體固定片 TRANSISTOR CLIP

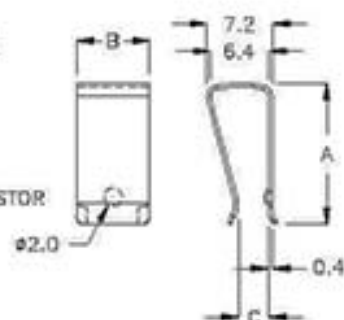
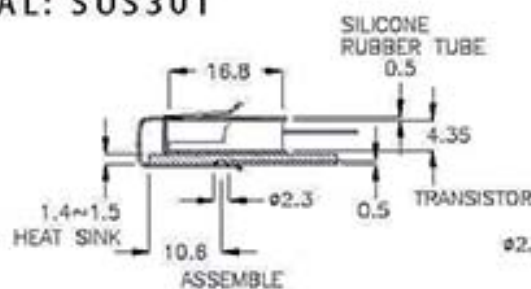
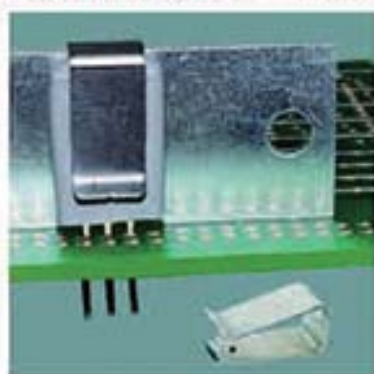
MATERIAL: SUS301



PART NO	A	B	C	PACKAGE
IRK-15BM	15.5	8.0	3.1	1000

電晶體固定片 TRANSISTOR CLIP

MATERIAL: SUS301



PART NO	A	B	C	PACKAGE
IRK-15KT	15.5	8.0	3.3	1000



總公司

11577 台北市八德路四段768巷1弄8號
 HEAD OFFICE:
 NO.8,ALLEY 1,LANE 768,SEC 4 PATEH RD.,
 TAIPEI,11577 TAIWAN
 TEL: 886-2-27885767
 FAX: 886-2-27885768
 E-MAIL: sales@pingood.com.tw
 http://www.pingood.com.tw

中壢工廠

32063 桃園市中壢區東園路9號
 ZHONGLI FACTORY:
 NO.9,DONGYUAN RD.,ZHONGLI DIST.,
 TAOYUAN CITY,32063 TAIWAN

品基電子(東莞)有限公司

廣東省東莞市塘廈鎮平山188工業區果岭路6號
 DONGGUAN FACTORY:
 NO.6,GUO LING RD.,188 PING SHAN
 MANAGEMENT ZONE,TANG XIA,DONGGUAN,
 GUANGDONG,CHINA
 TEL: 86-769-87910231
 FAX: 86-769-87910232
 E-MAIL: pj@pingood.com.cn

蘇州品基電子科技有限公司

江蘇省蘇州市吳中區橫涇街道天鵝蕩路2986號
 SUZHOU FACTORY:
 NO.2986,TIAN EDANG RD.,HENGJING TOWN,
 WUZHONG,SUZHOU JIANGSU PROVINCE CHINA
 TEL: 86-512-65629123 FAX: 86-512-65611221
 E-MAIL: spj@pingood.com.cn

SINGAPORE BRANCH

UNITRONIC COMPONENTS PTE.LTD
 TEL: 65-2847555 FAX: 65-2842877



ISO-14001



ISO - 9001



www.pingood.com.tw