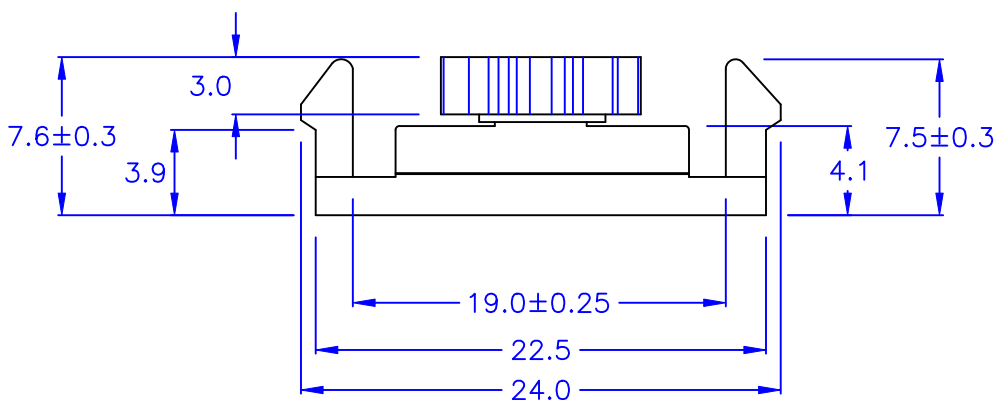
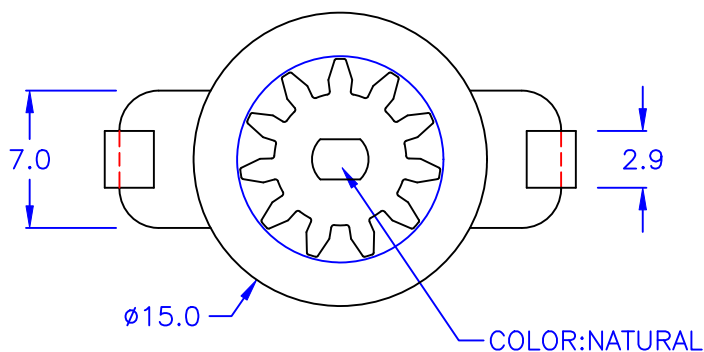


CLASSIFICATION: GEAR  
 STYLE: SPLINE  
 PRESSURE ANGLE: 20°  
 TOOTH NUMBER: 11  
 PITCH DIAMETER:  $\phi$  8.8  
 MODULE: 0.8  
 OUTSIDE DIAMETER:  $\phi$  10.5  
 AVAILABLE TORQUE: 45±15 gf-cm (23°C)  
 THE ROTATION RATE: 15 RPM  
 \* The temperature and R.P.M  
 will be affected the torque



©Halogen

DRAW NO. PGAS030099

GJS

PLASTIC TOLERANCE:	
L ≤ 10	±0.2
10 < L ≤ 30	±0.3
30 < L ≤ 50	±0.5
50 < L ≤ 100	±0.7
100 < L ≤ 250	±1.2
ABOVE 250	±1.5

網頁圖示供參考，最終以品固公司正式圖面為主  
 The plastic tolerance is just for your reference; all the measurements and dimensions are according to the "DATA SHEET" issued by PINGOOD.



品固企業股份有限公司  
 品基電子(東莞)有限公司  
 蘇州品基電子科技有限公司  
 東莞市鑽隆商貿有限公司  
 PINGOOD ENTERPRISE CO.,LTD.

**MATERIAL:**  
 POM 94HB or EQUIVALENT  
 ABS 94HB or EQUIVALENT

**PART NAME:**  
 ROTARY DAMPER

A SIZE	VERSION
	1

**PART NO:**  
 PG-8LS-45W

SHEET 1 OF 1

	UNIT	SCALE
	mm	

COLOR: BLACK