

CLASSIFICATION : INVOLUTE GEAR

STYLE : SPLINE

PRESSURE ANGLE : 20°

TOOTH NUMBER : 12

PITCH DIAMETER : Ø12.0

MODULE : 1.0

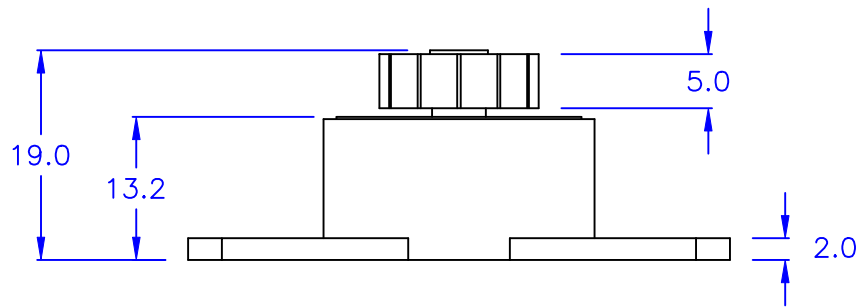
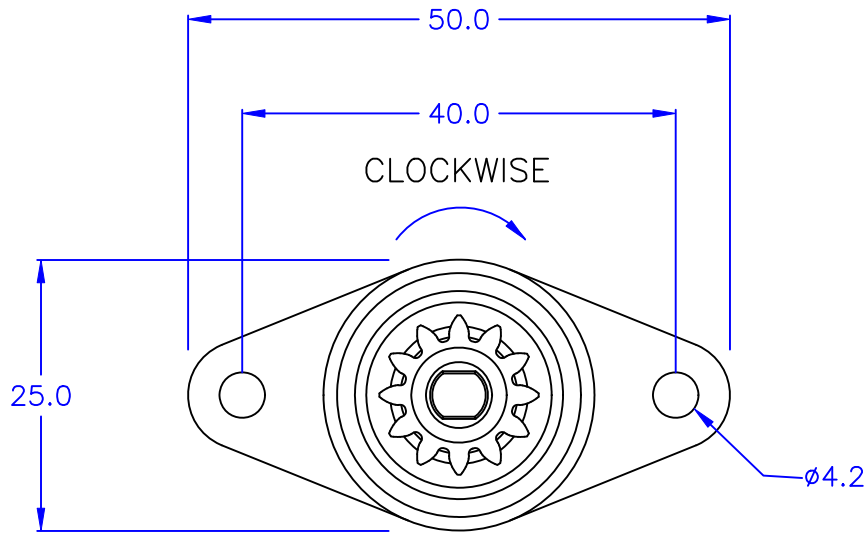
OUTSIDE DIAMETER : Ø14.7

THE ROTATION RATE:15 RPM

WITHERSHINS : 600±120 gf-cm

CLOCKWISE : 100±50 gf-cm

\* The temperature and R.P.M will be affected the torque



©Halogen Free

DRAW NO. PGAS030101

GJS

<b>PLASTIC TOLERANCE:</b>	
L ≤ 10	±0.2
10 < L ≤ 30	±0.3
30 < L ≤ 50	±0.5
50 < L ≤ 100	±0.7
100 < L ≤ 250	±1.2
ABOVE 250	±1.5

網頁圖示供參考, 最終以品固公司正式圖面為主  
The plastic tolerance is just for your reference; all the measurements and dimensions are according to the "DATA SHEET" issued by PINGOOD.



品固企業股份有限公司  
品基電子(東莞)有限公司  
蘇州品基電子科技有限公司  
東莞市鑽隆商貿有限公司  
PINGOOD ENTERPRISE CO.,LTD.

MATERIAL: POM 94HB or EQUIVALENT  
PC 94V-2 or EQUIVALENT  
METAL BEARING

PART NAME:  
ROTARY DAMPER

A  
SIZE

VERSION  
1

PART NO:  
PG-30-600L

SHEET 1 OF 1

	UNIT	SCALE
	mm	

COLOR: BLACK