

CLASSIFICATION:GEAR

STYLE: SPLINE

PRESSURE ANGLE: 20°

TOOTH NUMBER: 16

PITCH DIAMETER: Ø12.8

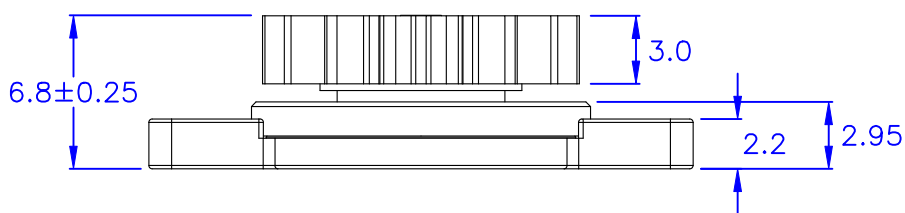
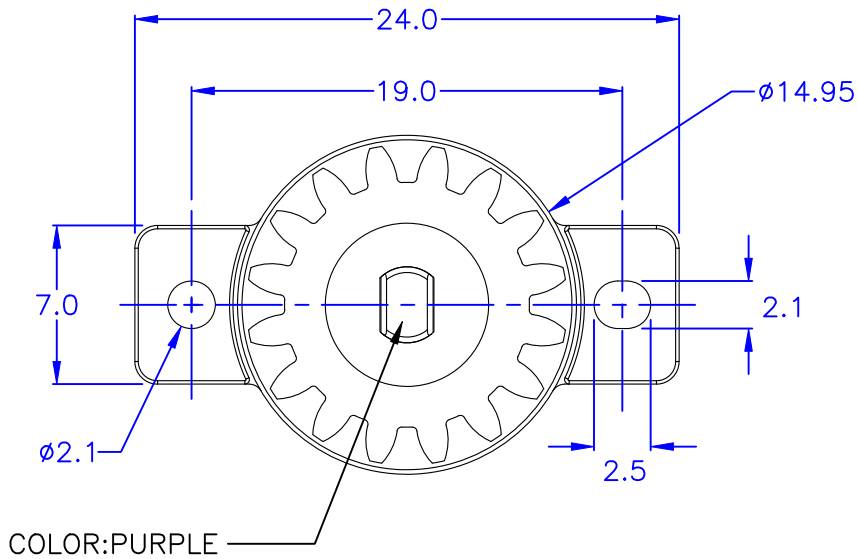
MODULE: 0.8

OUTSIDE DIAMETER: Ø14.15

AVAILABLE TORQUE: 25.5 ±8 gf-cm (23°C)

THE ROTATION RATE: 20 RPM

* The temperature and R.P.M will be affected the torque



DRAW NO. PGAS035180

GJS

PLASTIC TOLERANCE:

L ≤ 10	±0.2
10 < L ≤ 30	±0.3
30 < L ≤ 50	±0.5
50 < L ≤ 100	±0.7
100 < L ≤ 250	±1.2
ABOVE 250	±1.5

The plastic tolerance is just for your reference; all the measurements and dimensions are according to the "DATA SHEET" issued by PINGOOD.

MATERIAL:

POM 94HB or EQUIVALENT
PC 94V-2 or EQUIVALENT

COLOR: BLACK



品固企業股份有限公司
品基電子(東莞)有限公司
蘇州品基電子科技有限公司
東莞市品基商貿有限公司
鑽隆有限公司
PINGOOD ENTERPRISE CO.,LTD.

PART NAME:

ROTARY DAMPER

PART NO.:

PG-21-25P

A
SIZE

VERSION

1

SHEET 1 OF 1

UNIT	SCALE
mm	