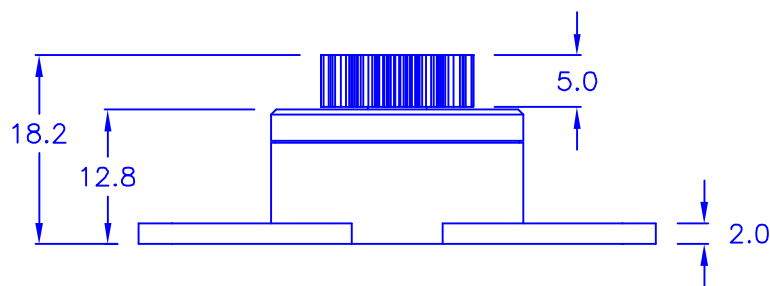
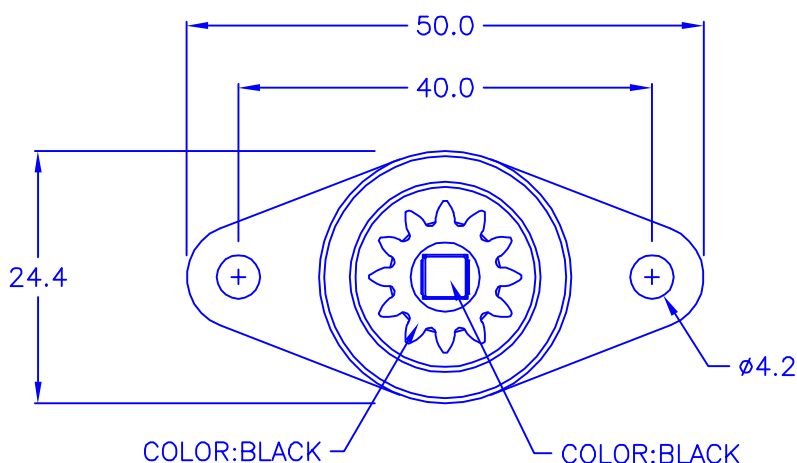


總類: 轉位平齒輪
 齒型: 漸開線齒型
 壓力角: 20°
 節徑: $\phi 12.0$
 齒數: 12
 模數: 1.0
 扭力: 600 ± 120 gf-cm
 轉速: 15 RPM
 齒外徑: $\phi 14.6$
 * 扭力會隨溫度及轉速而有所差異



© ROHS compliant

DRAW NO. PGAS014398

GJS

PLASTIC TOLERANCE:

$L \leq 10$	± 0.2
$10 < L \leq 30$	± 0.3
$30 < L \leq 50$	± 0.5
$50 < L \leq 100$	± 0.7
$100 < L \leq 250$	± 1.2
ABOVE 250	± 1.5

網頁圖示供參考, 最終以品固公司正式圖面為主

The plastic tolerance is just for your reference; all the measurements and dimensions are according to the "DATA SHEET" issued by PINGOOD.



品固企業股份有限公司
 品基電子(東莞)有限公司
 蘇州品基電子科技有限公司
 鑽隆有限公司
 PINGOOD ENTERPRISE CO.,LTD.

MATERIAL:

POM 94HB or EQUIVALENT
 PC 94V-2 or EQUIVALENT

PART NAME:

塑膠阻尼器
 ROTARY DAMPER

A
 SIZE

VERSION
 1A

PART NO.:

PG-20-600B

SHEET 1 OF 1

	UNIT	SCALE
	mm	

COLOR: BLACK

EF0404505