

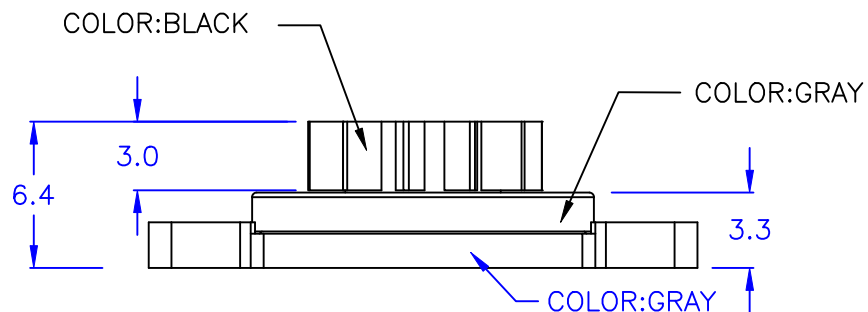
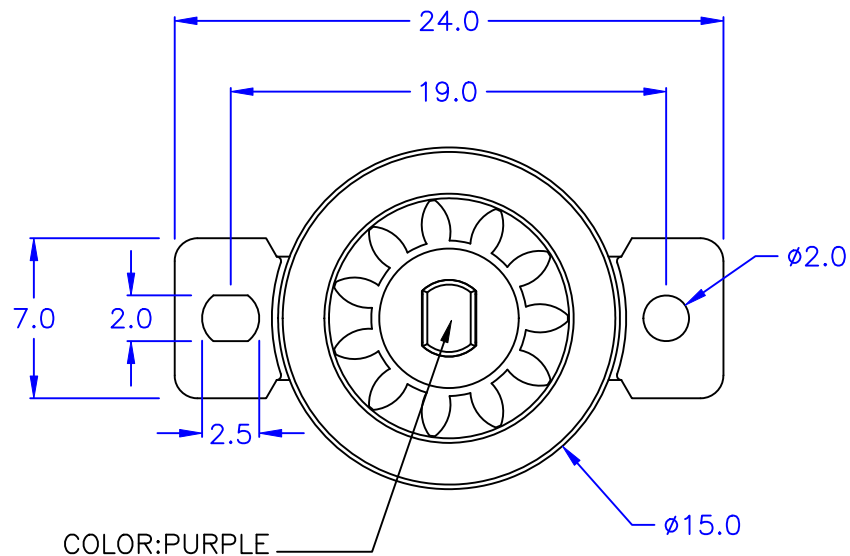
CLASSIFICATION: GEAR
 STYLE: SPLINE
 PRESSURE ANGLE: 20°
 TOOTH NUMBER: 11
 PITCH DIAMETER: ϕ 8.8
 MODULE: 0.8

AVAILABLE TORQUE: 25 ±10gf-cm (23°C)

THE ROTATION RATE: 15 RPM

OUTSIDE DIAMETER: ϕ 10.4

* The temperature and R.P.M will be affected the torque



©Halogen

DRAW NO. PGAS030086

GJS

PLASTIC TOLERANCE:	
L ≤ 10	±0.2
10 < L ≤ 30	±0.3
30 < L ≤ 50	±0.5
50 < L ≤ 100	±0.7
100 < L ≤ 250	±1.2
ABOVE 250	±1.5

網頁圖示供參考, 最終以品固公司正式圖面為主
 The plastic tolerance is just for your reference; all the measurements and dimensions are according to the "DATA SHEET" issued by PINGOOD.



品固企業股份有限公司
 品基電子(東莞)有限公司
 蘇州品基電子科技有限公司
 東莞市鑽隆商貿有限公司
 PINGOOD ENTERPRISE CO.,LTD.

MATERIAL:
 POM 94HB or EQUIVALENT
 PC 94V2 or EQUIVALENT

PART NAME:
 ROTARY DAMPER

A	VERSION
	1
SIZE	

PART NO:
 PG-15A-G25P

SHEET 1 OF 1

	UNIT	SCALE
	mm	