

CLASSIFICATION: GEAR

STYLE: SPLINE

PRESSURE ANGLE: 20°

TOOTH NUMBER: 11

PITCH DIAMETER: ϕ 8.8

MODULE: 0.8

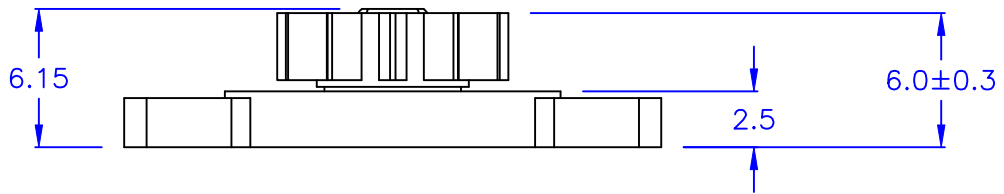
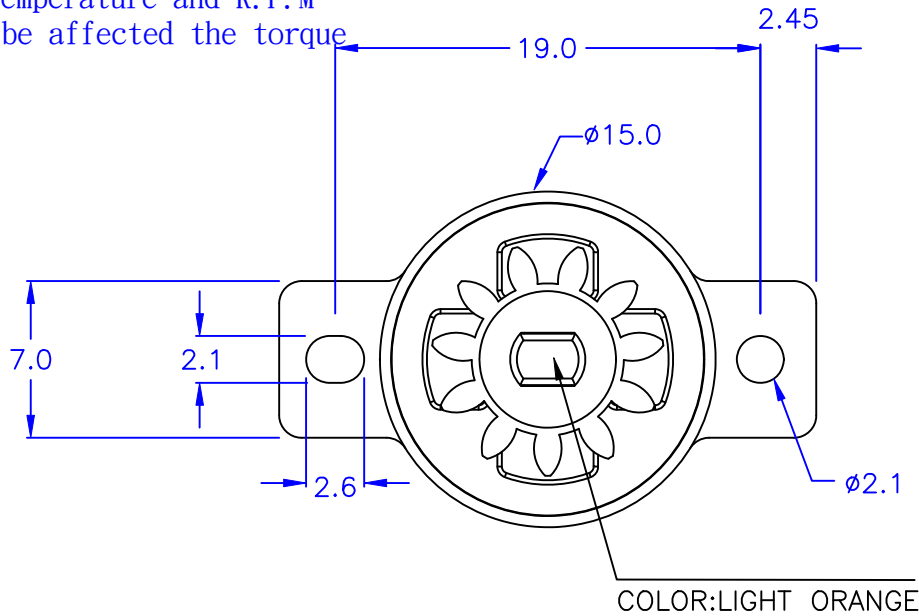
AVAILABLE TORQUE: 45 \pm 15gf-cm (23°C)

THE ROTATION RATE: 20 RPM

OUTSIDE DIAMETER: ϕ 10.4

* The temperature and R.P.M

will be affected the torque



©Halogen

DRAW NO. PGAS030083

GJS

PLASTIC TOLERANCE:

L \leq 10	\pm 0.2
10 < L \leq 30	\pm 0.3
30 < L \leq 50	\pm 0.5
50 < L \leq 100	\pm 0.7
100 < L \leq 250	\pm 1.2
ABOVE 250	\pm 1.5

網頁圖示供參考, 最終以品固公司正式圖面為主
The plastic tolerance is just for your reference; all the measurements and dimensions are according to the "DATA SHEET" issued by PINGOOD.

MATERIAL:

POM 94HB or EQUIVALENT
PC 94V2 or EQUIVALENT

PART NAME:

ROTARY DAMPER

PART NO:

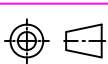
PG-13PC-45D

A

SIZE

VERSION

1



UNIT	SCALE
mm	

COLOR: BLACK

SHEET 1 OF 1

表單號碼QF135