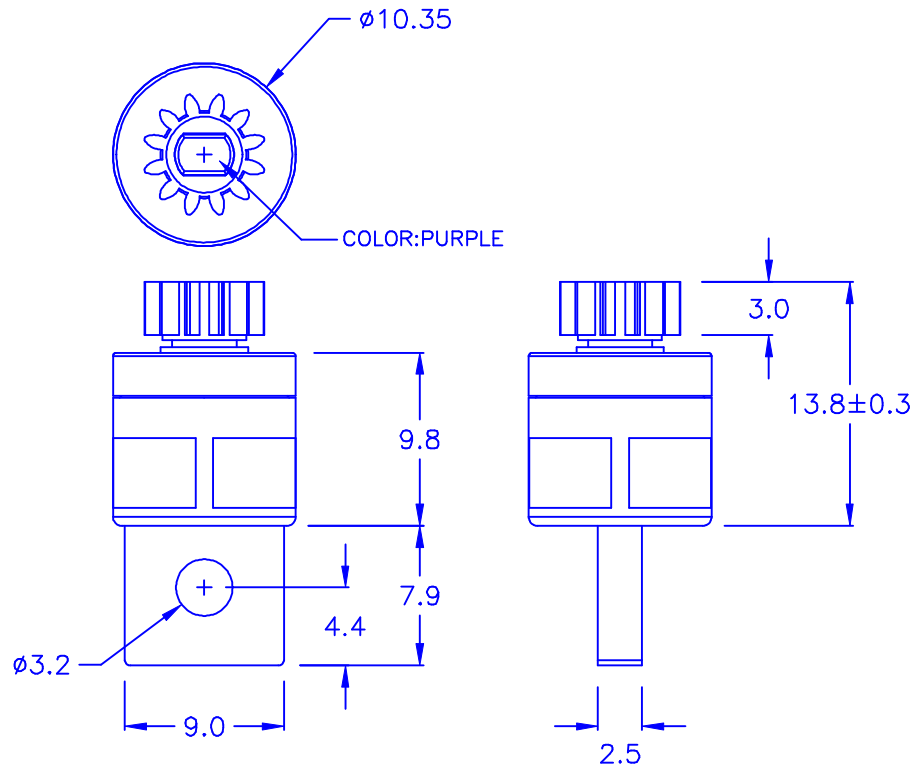


總類: 標準平齒輪
 齒型: 漸開式
 壓力角: 20°
 齒數: 12
 節徑: $\phi 6.0$
 模數: 0.5
 扭力: 10 ± 5 gf-cm
 轉速: 20 RPM=11 mm/sec
 * 扭力會隨溫度及轉速而有所差異



©Halogen 有鹵

DRAW NO. PGAS022486

GJS

PLASTIC TOLERANCE:	
L ≤ 10	±0.2
10 < L ≤ 30	±0.3
30 < L ≤ 50	±0.5
50 < L ≤ 100	±0.7
100 < L ≤ 250	±1.2
ABOVE 250	±1.5

網頁圖示供參考, 最終以品固公司正式圖面為主
 The plastic tolerance is just for your reference; all the measurements and dimensions are according to the "DATA SHEET" issued by PINGOOD.



品固企業股份有限公司
 品基電子(東莞)有限公司
 蘇州品基電子科技有限公司
 鑽隆有限公司
 PINGOOD ENTERPRISE CO.,LTD.

MATERIAL:

POM 94HB or EQUIVALENT

PC 94V2 or EQUIVALENT

COLOR: BLACK

PART NAME:

塑膠阻尼器

ROTARY DAMPER

PART NO:

PG-10-10P

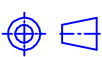
A

SIZE

VERSION

1A

SHEET 1 OF 1



UNIT
mm

SCALE