

CLASSIFICATION: GEAR

STYLE: SPLINE

PRESSURE ANGLE: 20°

TOOTH NUMBER: 13

PITCH DIAMETER:  $\phi$  10.4

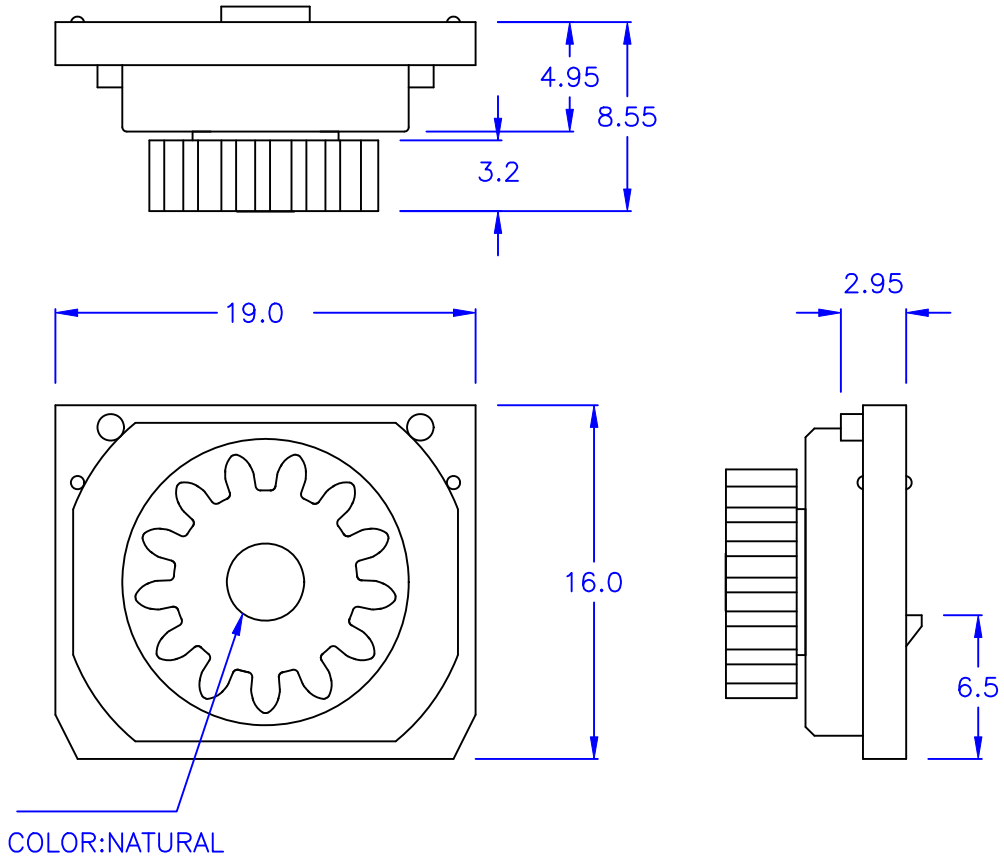
MODULE: 0.8

AVAILABLE TORQUE: 25±15 gf-cm (23°C)

THE ROTATION RATE: 15 RPM=11 mm/sec

OUTSIDE DIAMETER:  $\phi$ 12.0

\* The temperature and R.P.M will be affected the torque



©Halogen

DRAW NO. PGAS030073

GJS

PLASTIC TOLERANCE:	
L ≤ 10	±0.2
10 < L ≤ 30	±0.3
30 < L ≤ 50	±0.5
50 < L ≤ 100	±0.7
100 < L ≤ 250	±1.2
ABOVE 250	±1.5

網頁圖示供參考，最終以品固公司正式圖面為主  
The plastic tolerance is just for your reference; all the measurements and dimensions are according to the "DATA SHEET" issued by PINGOOD.



品固企業股份有限公司  
品基電子(東莞)有限公司  
蘇州品基電子科技有限公司  
東莞市鑽隆商貿有限公司  
PINGOOD ENTERPRISE CO.,LTD.

MATERIAL:  
POM 94HB or EQUIVALENT  
ABS 94HB or EQUIVALENT

PART NAME:  
ROTARY DAMPER

VERSION
A
SIZE
1

	UNIT	SCALE
	mm	

COLOR: BLACK

PART NO:  
PG-06C25W

SHEET 1 OF 1