

CLASSIFICATION: GEAR

STYLE: SPLINE

PRESSURE ANGLE: 20°

TOOTH NUMBER: 13

PITCH DIAMETER: ϕ 10.4

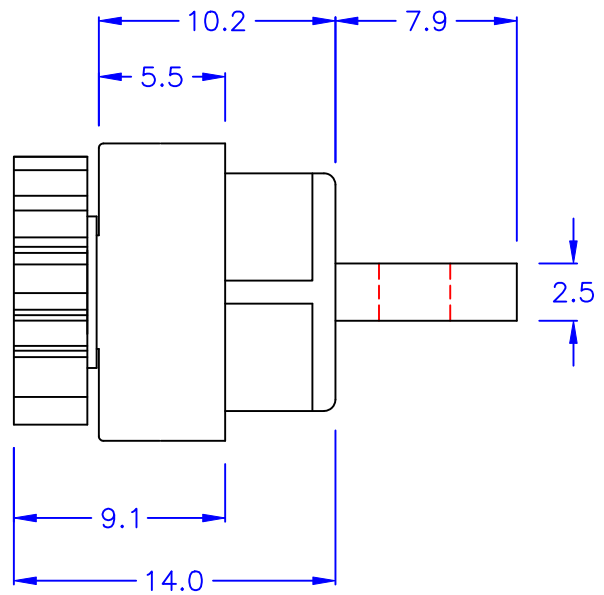
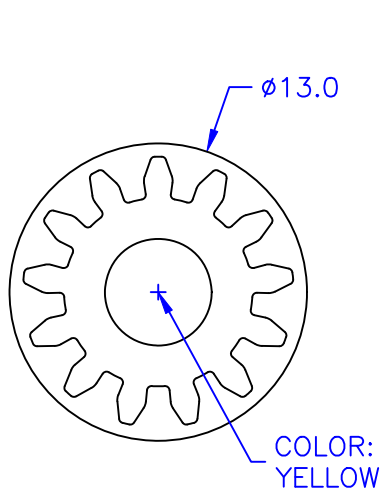
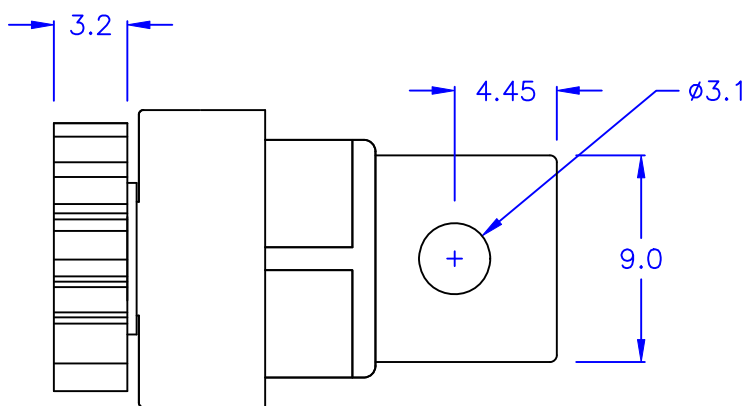
MODULE: 0.8

OUTSIDE DIAMETER: ϕ 11.8

AVAILABLE TORQUE: 63 ± 15 gf-cm (23°C)

THE ROTATION RATE: 15 RPM

* The temperature and R.P.M will be affected the torque



©Halogen

DRAW NO. PGAS030070

GJS

PLASTIC TOLERANCE:	
L ≤ 10	±0.2
10 < L ≤ 30	±0.3
30 < L ≤ 50	±0.5
50 < L ≤ 100	±0.7
100 < L ≤ 250	±1.2
ABOVE 250	±1.5

網頁圖示供參考, 最終以品固公司正式圖面為主
The plastic tolerance is just for your reference; all the measurements and dimensions are according to the "DATA SHEET" issued by PINGOOD.



品固企業股份有限公司
品基電子(東莞)有限公司
蘇州品基電子科技有限公司
東莞市鑽隆商貿有限公司
PINGOOD ENTERPRISE CO.,LTD.

MATERIAL:
POM 94HB or EQUIVALENT
ABS 94HB or EQUIVALENT
COLOR: BLACK

PART NAME:
ROTARY DAMPER

PART NO:
PG-01A63L

A SIZE	VERSION
	1

SHEET 1 OF 1

	UNIT	SCALE
	mm	