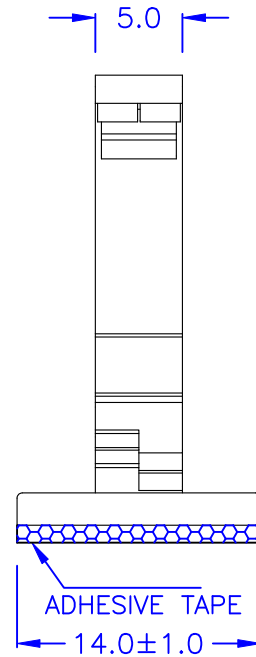
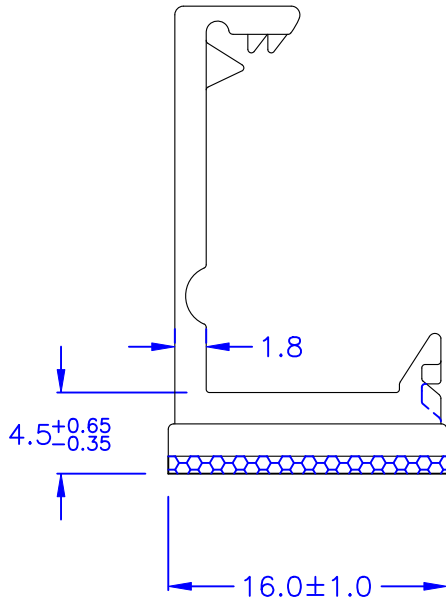
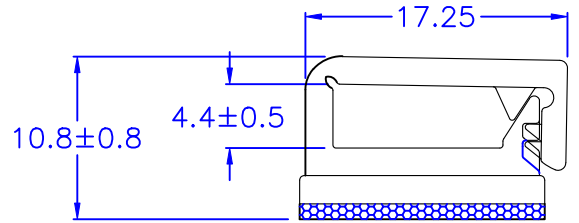


◎ 產品扣合後參考尺寸



◎ 高度不含離形紙厚度

- ◎Halogen Free 低鹵
- ◎ROHS 2.0
- ◎ROHS 六項 compliant

DRAW NO. PGAS032840

GJS

PLASTIC TOLERANCE:

L≤10	±0.2
10<L≤30	±0.3
30<L≤50	±0.5
50<L≤100	±0.7
100<L≤250	±1.2
ABOVE 250	±1.5

網頁圖示供參考,最終以品固公司正式圖面為主
The plastic tolerance is just for your reference; all the measurements and dimensions are according to the "DATA SHEET" issued by PINGOOD.

MATERIAL: N66 V2 or EQUIVALENT

COLOR: BLACK

ADHESIVE TAPE: 3M (1600T) or EQUIVALENT

THICKNESS OF ADHESIVE TAPE : 0.8±0.45/-0.15mm



品固企業股份有限公司
品基電子(東莞)有限公司
蘇州品基電子科技有限公司
東莞市鑽隆商貿有限公司
PINGOOD ENTERPRISE CO.,LTD.

PART NAME:

隔離束線座
WIRE SADDLE

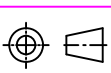
A
SIZE

VERSION
1

PART NO:

PAK11-4A-NQB

SHEET 1 OF 1



UNIT SCALE
mm