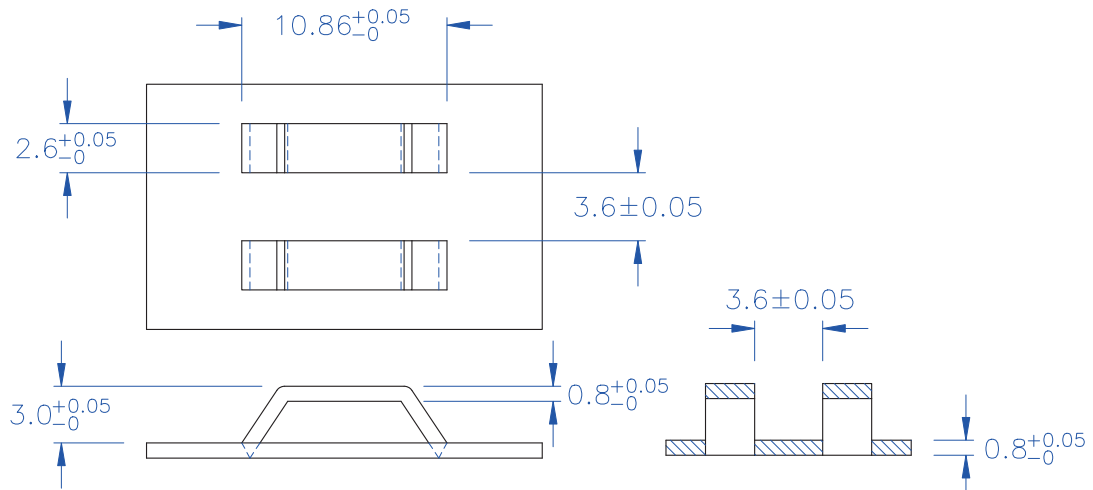




◎ HOLE IN CHASSIS:



◎ CHASSIS THICKNESS: $0.8^{+0}_{-0.05}$ mm

- ◎ Halogen Free 低鹵
- ◎ ROHS 2.0
- ◎ ROHS 六項 compliant

DRAW NO. PGAS036603 GJS

PLASTIC TOLERANCE: $L \leq 10 \quad \pm 0.2$ $10 < L \leq 30 \quad \pm 0.3$ $30 < L \leq 50 \quad \pm 0.5$ $50 < L \leq 100 \quad \pm 0.7$ $100 < L \leq 250 \quad \pm 1.2$ ABOVE 250 ± 1.5	網頁圖示供參考,最終以品固公司正式圖面為主 The plastic tolerance is just for your reference; all the measurements and dimensions are according to the "DATA SHEET" issued by PINGOOD.	 品固企業股份有限公司 品基電子(東莞)有限公司 蘇州品基電子科技有限公司 東莞市鑽隆商貿有限公司 鑽隆有限公司 <small>PINGOOD ENTERPRISE CO.,LTD.</small>		PART NAME: 固定座 MOUNT		VERSION 1
				MATERIAL: N66 V2 or EQUIVALENT COLOR: BLACK		PART NO: MTB-13A-N2B
 UNIT SCALE mm	SHEET 1 OF 1					