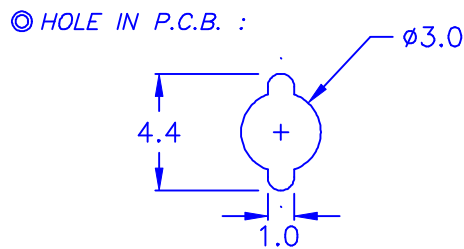
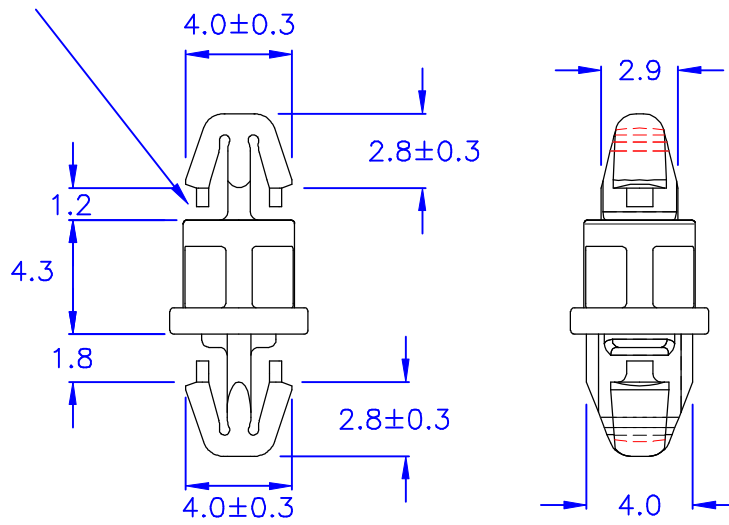


◎ HOLE IN P.C.B. :  $\phi 3.0$   
 ◎ P.C.B THICKNESS: 0.8~1.0 mm



◎ P.C.B THICKNESS: 1.4~1.6 mm

◎Halogen Free 低鹵  
 ◎ROHS 2.0  
 ◎ROHS 六項 compliant

DRAW NO. PGAS025291 GJS

PLASTIC TOLERANCE:	
$L \leq 10$	$\pm 0.2$
$10 < L \leq 30$	$\pm 0.3$
$30 < L \leq 50$	$\pm 0.5$
$50 < L \leq 100$	$\pm 0.7$
$100 < L \leq 250$	$\pm 1.2$
ABOVE 250	$\pm 1.5$

網頁圖示供參考,最終以品固公司正式圖面為主  
 The plastic tolerance is just for your reference; all the measurements and dimensions are according to the "DATA SHEET" issued by PINGOOD.



品固企業股份有限公司  
 品基電子(東莞)有限公司  
 蘇州品基電子科技有限公司  
 鑽隆有限公司  
 PINGOOD ENTERPRISE CO.,LTD.

MATERIAL: N66 V2 or EQUIVALENT

PART NAME:

P.C. 板間隔柱  
 SPACER SUPPORT

A	VERSION
	1
SIZE	

COLOR: NATURAL

PART NO:

MQY-4MA-N2W

SHEET 1 OF 1

	UNIT	SCALE
	mm	