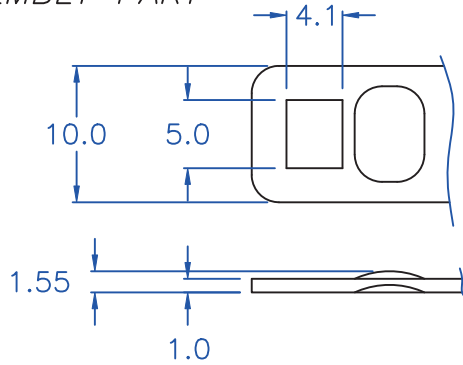


◎ ASSEMBLY PART



◎Halogen Free 低鹵

DRAW NO. PGAS033246

GJS

PLASTIC TOLERANCE:	
L ≤ 10	±0.2
10 < L ≤ 30	±0.3
30 < L ≤ 50	±0.5
50 < L ≤ 100	±0.7
100 < L ≤ 250	±1.2
ABOVE 250	±1.5

網頁圖示供參考, 最終以品固公司正式圖面為主
The plastic tolerance is just for your reference; all the measurements and dimensions are according to the "DATA SHEET" issued by PINGOOD.



品固企業股份有限公司
品基電子(東莞)有限公司
蘇州品基電子科技有限公司
東莞市鑽隆商貿有限公司
PINGOOD ENTERPRISE CO.,LTD.

MATERIAL: TPE V0 or EQUIVALENT

PART NAME:

把手蓋

EJECTOR COVER

A

SIZE

VERSION

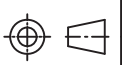
1A

試片硬度: 55°±5°

PART NO:

MHL-25-ZJB

SHEET 1 OF 1



UNIT
mm

SCALE

表單號碼QF135